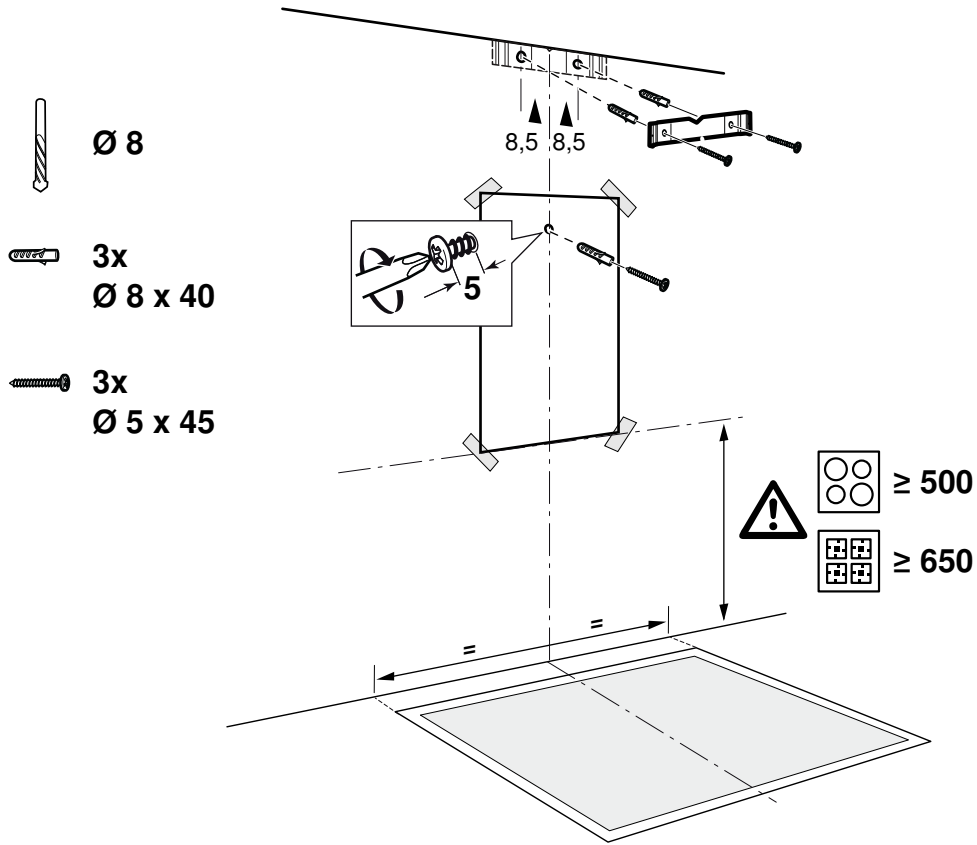
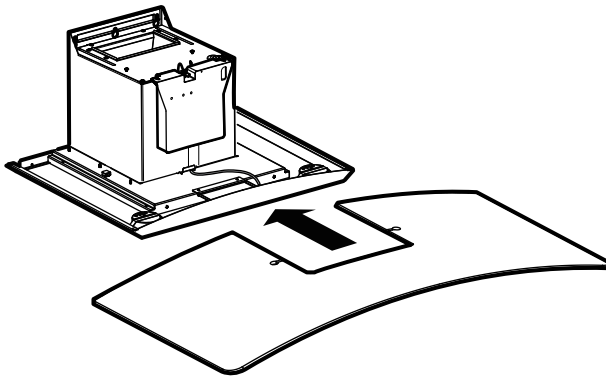


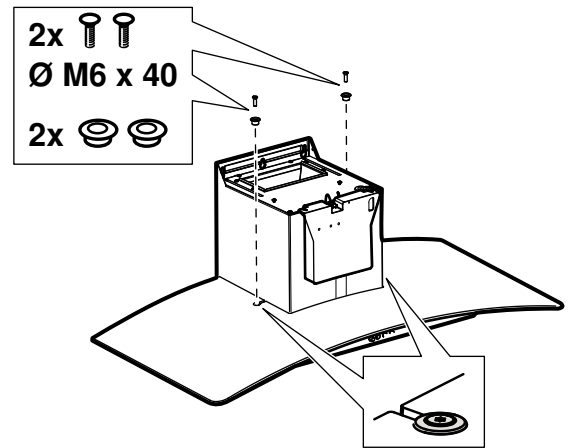
1



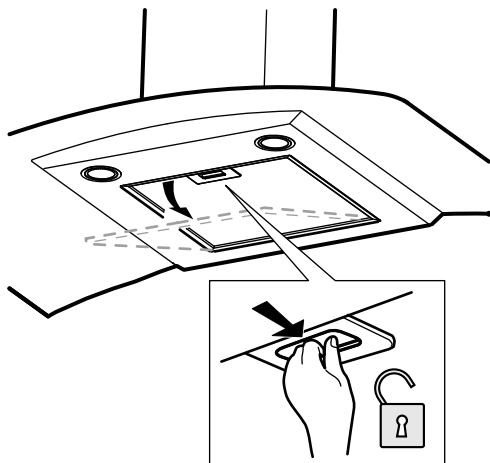
2 a



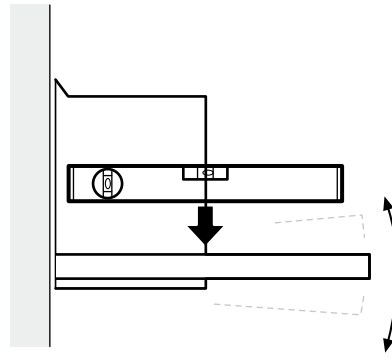
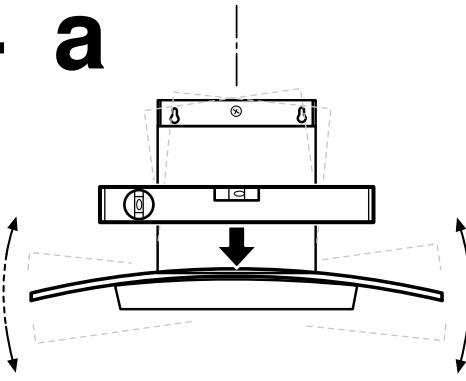
b



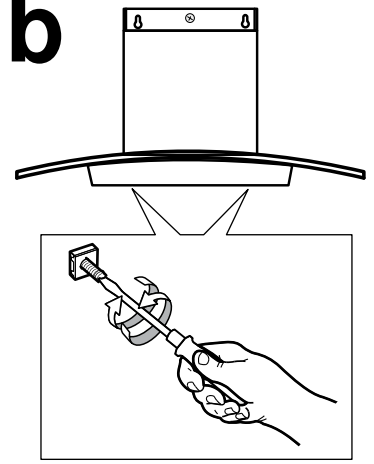
3



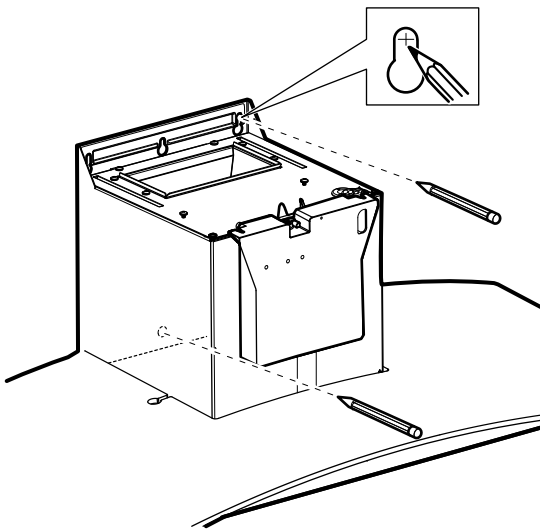
4 a



b

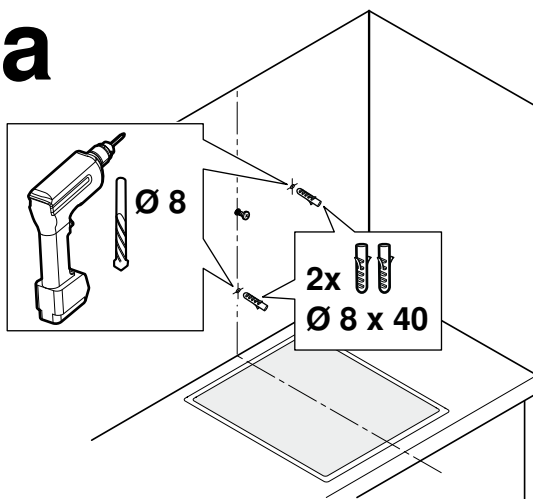


5

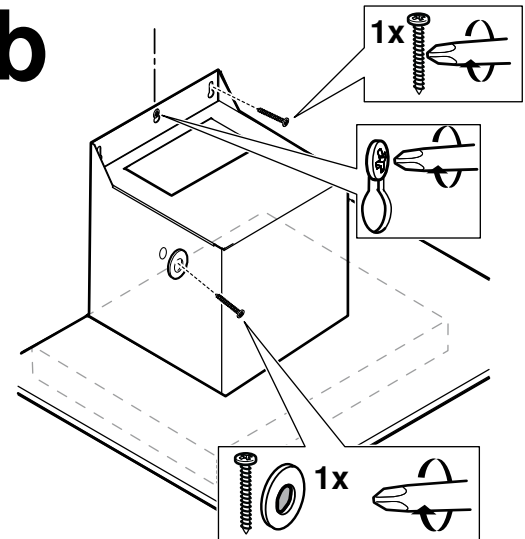


6

a

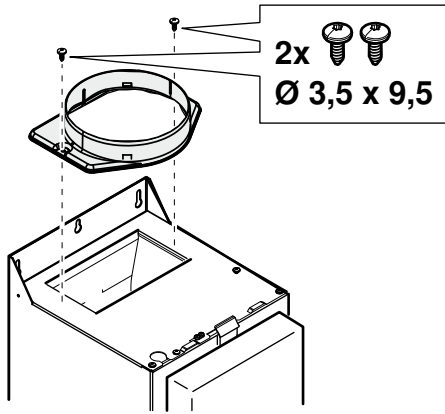


b

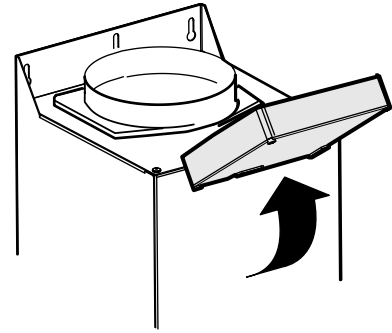


7

a

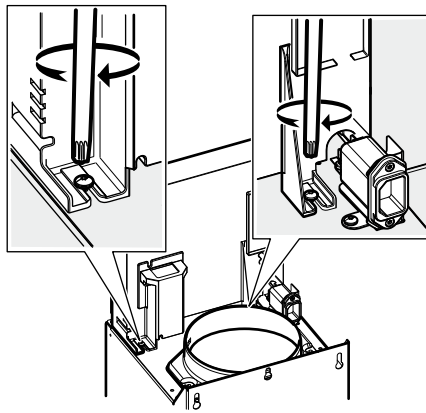


b

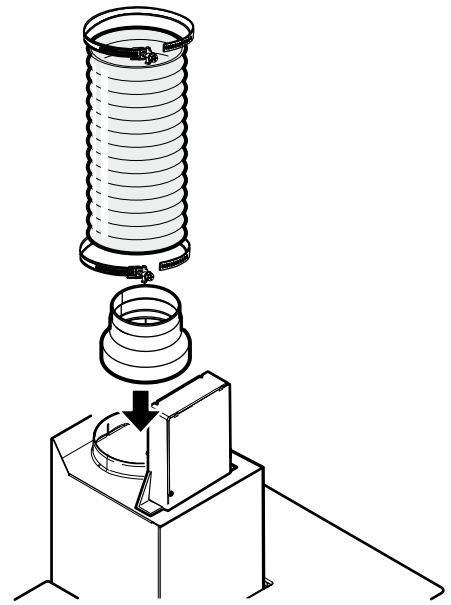


8

a

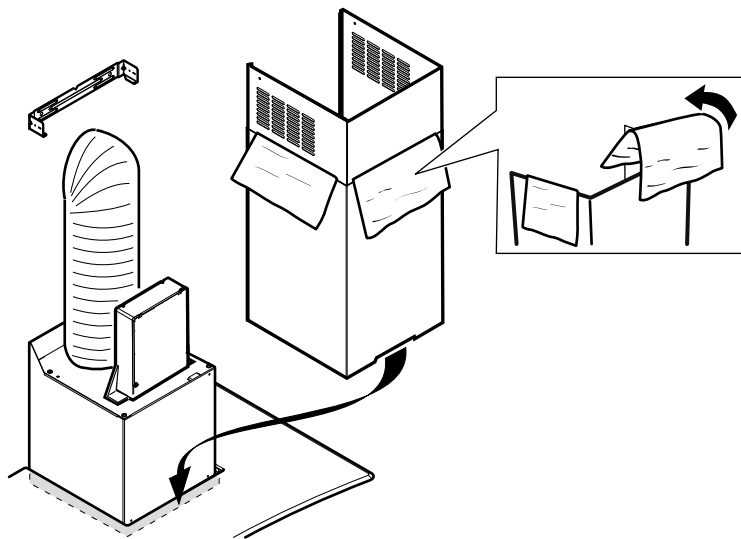


b

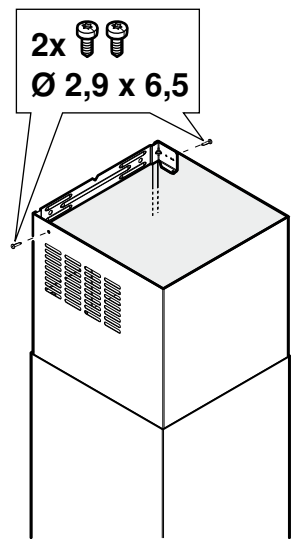


9

a



b



⚠ Important safety information

Read these instructions carefully. Only then will you be able to operate your appliance safely and correctly. Retain the instruction manual and installation instructions for future use or for subsequent owners.

The appliance can only be used safely if it is correctly installed according to the safety instructions. The installer is responsible for ensuring that the appliance works perfectly at its installation location.

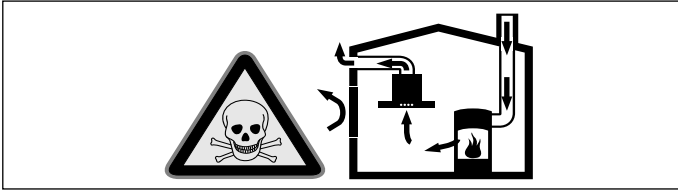
The width of the extractor hood must correspond at least with the width of the hob.

For the installation, observe the currently valid building regulations and the regulations of the local electricity and gas suppliers.

Danger of death!

Risk of poisoning from flue gases that are drawn back in.

Always ensure adequate fresh air in the room if the appliance is being operated in exhaust air mode at the same time as room air-dependent heat-producing appliance is being operated.

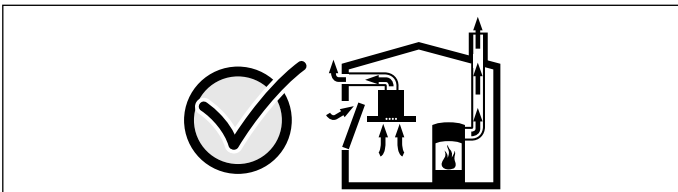


Room air-dependent heat-producing appliances (e.g. gas, oil, wood or coal-operated heaters, continuous flow heaters or water heaters) obtain combustion air from the room in which they are installed and discharge the exhaust gases into the open air through an exhaust gas system (e.g. a chimney).

In combination with an activated vapour extractor hood, room air is extracted from the kitchen and neighbouring rooms - a partial vacuum is produced if not enough fresh air is supplied. Toxic gases from the chimney or the extraction shaft are sucked back into the living space.

- Adequate incoming air must therefore always be ensured.
- An incoming/exhaust air wall box alone will not ensure compliance with the limit.

Safe operation is possible only when the partial vacuum in the place where the heat-producing appliance is installed does not exceed 4 Pa (0.04 mbar). This can be achieved when the air needed for combustion is able to enter through openings that cannot be sealed, for example in doors, windows, incoming/exhaust air wall boxes or by other technical means.



In any case, consult your responsible Master Chimney Sweep. He is able to assess the house's entire ventilation setup and will suggest the suitable ventilation measures to you.

Unrestricted operation is possible if the vapour extractor hood is operated exclusively in the circulating-air mode.

Danger of death!

Risk of poisoning from flue gases that are drawn back in. If installing a ventilation system in a room with a heat-producing appliance connected to a chimney/flue, the electricity supply to the hood must be equipped with a suitable safety switch.

Risk of fire!

Grease deposits in the grease filter may catch fire. The specified safety distances must be observed in order to prevent an accumulation of heat. Observe the specifications for your cooking appliance. If gas and electric hobs are operated together, the largest specified distance applies.

Only one side of the appliance may be installed directly next to a high-sided unit or a wall. The distance between the appliance and wall or high-sided unit must be at least 50 mm.

Risk of injury!

- Components inside the appliance may have sharp edges. Wear protective gloves.
- The appliance may fall down if it has not been properly fastened in place. All fastening components must be fixed firmly and securely.
- The appliance is heavy. To move the appliance, 2 people are required. Use only suitable tools and equipment.

Risk of electric shock!

Components inside the appliance may have sharp edges. These may damage the connecting cable. Do not kink or pinch the connecting cable during installation.

Danger of suffocation!

Packaging material is dangerous to children. Never allow children to play with packaging material.

General information

Exhaust air mode

Note: The exhaust air must not be conveyed into a functioning smoke or exhaust gas flue or into a shaft which is used to ventilate installation rooms which contain heat-producing appliances.

- Before conveying the exhaust air into a non-functioning smoke or exhaust gas flue, obtain the consent of the heating engineer responsible.
- If the exhaust air is conveyed through the outer wall, a telescopic wall box should be used.

Exhaust duct

Note: The device manufacturer does not assume any warranty for complaints attributable to the pipe section.

- The device achieves its optimum performance by means of a short, straight exhaust air pipe and as large a pipe diameter as possible.
- As a result of long rough exhaust air pipes, many pipe bends or pipe diameters that are smaller than 150 mm, the optimum extraction performance is not achieved and fan noise is increased.
- The pipes or hoses for laying the exhaust air line must consist of non-combustible material.

Round pipes

An inner diameter of 150 mm, but at least 120 mm, is recommended.

Flat ducts

The inner cross-section must correspond to the diameter of the round pipes.

dia. 150 mm ca. 177 cm²

dia. 120 mm ca. 113 cm²

- Flat ducts should not have any sharp deflections.
- Use sealing strips for deviating pipe diameters.

Checking the wall

- The wall must be level, vertical and adequately load-bearing.
- The depth of the bore holes must be the same length as the screws. The wall plugs must have a secure grip.
- The enclosed screws and wall plugs are suitable for solid brickwork. Suitable fasteners must be used for other structures (e.g. plasterboard, porous concrete, poroton bricks).
- The max. weight of the extractor hood is **40 kg**.

Electrical connection

⚠ Risk of electric shock!

Components inside the appliance may have sharp edges. These may damage the connecting cable. Do not kink or pinch the connecting cable during installation.

The required connection data can be found on the rating plate inside the appliance; to do this, remove the metal mesh grease filter.

Length of the connecting cable: Approx. 1.50 m

This appliance complies with the EC interference suppression regulations.

This appliance may be connected to a correctly installed earthed socket only.

Attach the earthed socket preferably inside the flue duct.

- The earthed socket should be connected via its own circuit.
- If the earthed socket is no longer accessible following installation of the appliance, a disconnecter must be fitted as for a permanent connection.

If a permanent connection is required, the installation must feature an all-pole disconnecter (circuit breakers, fuses and contactors) with a min. 3 mm contact opening. The permanent connection may be installed by an electrician only.

Appliance dimensions and safety clearances

- Observe the appliance's dimensions. (Fig. A)
- Comply with the safety clearances. (Fig. B)

Preparing for installation

Caution!

Ensure that there are no electric wires, gas or water pipes in the area where holes are to be made.

1. Mark a vertical centre line on the wall from the ceiling to the lower edge of the extractor hood. (Fig. 1)
2. Fix the drill template to the correct position on the wall. (Fig. 1)
3. Mark holes for the flue's fixing brackets. The centre of the fixing brackets is identified with a notch. Place the fixing brackets in the centre of the centre line, align them horizontally and mark the positions of the holes.
4. Mark holes for the mounting brackets and for securing the appliance.
5. Drill the holes.
6. Press in the wall plugs flush with the wall.

Fitting the appliance

Fitting the wall bracket

1. Screw on the fixing bracket for the flue duct. (Fig. 1)
2. Screw on the centre upper screw for the appliance mounting bracket, but do not screw it in completely.

Fitting the glass cover

1. Slide the glass cover onto the appliance. (Fig. 2a)
2. Screw the glass cover in place. (Fig. 2b)

Note: In order to prevent the glass cover from being damaged, tighten the screws carefully, but do not over-tighten them.

Attaching and aligning the appliance

⚠ Risk of injury!

Components inside the appliance may have sharp edges. Wear protective gloves.

1. Remove the metal grease filter. (Fig. 3)
2. First remove the protective foil from the back of the appliance and, following installation, remove the foil completely.
3. Fit the appliance.
4. Align the appliance horizontally. (Fig. 4a)
5. Align the appliance horizontally by turning the screws on the mounting brackets. The screws are accessible from the inside of the appliance. (Fig. 4b)
6. Mark the upper right and lower holes. (Fig. 5)
7. Take down the appliance.
8. Drill screw holes for the upper right and lower holes. (Fig. 6a)
9. Fit the appliance.
10. Tighten the screws. (Fig. 6b)
11. Fit the metal grease filter.

Connecting the appliance to the power supply

Notes

- For exhaust-air operation, a backflow flap should be fitted. If a backflow flap has not been included with the appliance, it can be obtained from a specialist retailer.
- If the exhaust air is conveyed through the outer wall, a telescopic wall box should be used.

Connecting the air extractor

Note: If an aluminium pipe is used, smooth the connection area beforehand.

1. Screw the one-way flap in place. (Fig. 7a)
2. Fold the motor control unit upwards and screw in place. (Fig. 7b, 8a)
3. Attach the exhaust air pipe directly to the air pipe connector. (Fig. 8b)
4. Connect it to the air extractor opening.
5. Seal the joints appropriately.

Connecting the power supply

1. Plug the mains plug into the earthed socket.
2. If a fixed connection is required, please follow the instructions in the Electrical connection section.

Attaching the flue duct

⚠ Risk of injury!

Components inside the appliance may have sharp edges. Wear protective gloves.

1. Place the flue ducts between the glass cover and the appliance. (Fig. 9a)
2. Remove the protective foil from both flue ducts.
3. Attach the upper flue duct. (Fig. 9b)
Bend the two side panels slightly apart, attach them behind the fixing brackets and push them together as far as they will go.
Note: In exhaust-air mode, fit the flue duct with the slots facing downwards.
4. Screw the upper flue duct to the sides of the two fixing brackets.
5. Attach the lower flue duct.
Bend the two side panels slightly apart, attach them behind the upper flue duct and push them together as far as they will go.
Note: To prevent scratches, lay paper over the edges of the lower flue duct to protect the surface.

Removing the appliance

1. Detach the flue duct.
2. Disconnect the appliance from the power supply.
3. Detach the exhaust-air lines.
4. Remove the metal grease filter.
5. Undo the upper right and lower screws for securing the appliance.
6. Remove the appliance.

