

USE AND CARE GUIDE



THERMADOR PROFESSIONAL[®] PRO HARMONY[®] RANGES

Thermador[®] 
REAL INNOVATIONS FOR REAL COOKS[®]

USE AND CARE GUIDE

THERMADOR PROFESSIONAL[®] PRO HARMONY[®] RANGES

CUISINIÈRES PROFESSIONAL^{MC} PRO HARMONY^{MC} DE THERMADOR

PARA ESTUFAS PROFESSIONAL[®] PRO HARMONY[®] DE THERMADOR

Table of Contents (English)	3
Table de Matières (Français)	48
Índice de Materias (Español)	96

Models/ Modèles/ Modelos:

PRD304GHU
PRD304GHC
PRD305PH
PRD364GDHU
PRD364GDHC
PRD366GHU
PRD366GHC
PRD486GDHU
PRD486GDHC
PRD364NLHU
PRD364NLHC
PRD486NLHU
PRD486NLHC
PRD484NCHU
PRD484NCHC

PRG304GH
PRG305PH
PRG364GDH
PRG366GH
PRG486GDH
PRG364NLH
PRG486NLH
PRL304GH
PRL305PH
PRL364GDH
PRL366GH
PRL486GDH
PRL364NLH
PRL486NLH



Thermador[®]
REAL INNOVATIONS FOR REAL COOKS[®]

Congratulations!

Congratulations on your recent Thermador purchase! Whether you are a dedicated chef or simply a connoisseur of the art of cooking, owning a Thermador kitchen is the ultimate expression of personal style, good taste and an appreciation for the complete culinary experience. Our award-winning products have been empowering culinary enthusiasts for more than eleven decades.

Before you begin using your new Thermador product, please take a moment to review the Use and Care Guide. You will find the answers to all of your questions as well as some very important safety information. Pay special attention to the **Important Safety Instructions** located at the beginning of the manual. Your Thermador product is ready and waiting to be used for your next gourmet creation!

Our products are handcrafted with the highest quality authentic materials to ensure years of reliable service. In the unlikely event that you have a service question, please have your model and serial numbers of your product available (see the “*Before Calling For Service*” section for location).

We realize that you have made a considerable investment in your kitchen. Please feel free to share your Thermador kitchen photos and remodeling stories with us. Follow us on Twitter or post your kitchen photos on Facebook. We would love to hear from you!

Thermador wishes you many years of creative cooking.

Félicitations!

Félicitations pour votre récent achat Thermador! Que vous soyez un chef enthousiaste ou un simple connoisseur de l’art culinaire, le fait de posséder une cuisine Thermador représente l’expression ultime de votre style personnel, de votre bon goût et de votre intérêt à vivre une expérience culinaire complète. Nos produits primés permettent à des adeptes de la bonne bouffe d’atteindre de nouveaux sommets depuis plus de onze décennies.

Avant de commencer à utiliser votre nouveau produit Thermador, veuillez prendre un moment pour examiner ce guide d’utilisation et d’entretien. Vous trouverez des réponses à toutes vos questions ainsi que quelques renseignements essentiels en matière de sécurité. Portez une attention particulière aux **Instructions de sécurité importantes** se trouvant au début du guide. Votre produit Thermador est prêt et n’attend plus que vous l’utilisiez pour votre prochaine création gastronomique!

Nos produits sont fabriqués à la main avec des matériaux authentiques de haute qualité afin d’assurer des années de service fiable. Dans l’éventualité improbable où vous auriez une question relativement à l’entretien, veuillez avoir à la portée de la main le numéro de série et de modèle de votre produit (reportez vous “*Avant d’appeler le service technique*”).

Nous savons bien que vous avez investi une somme considérable dans votre cuisine. N’hésitez pas à partager avec nous les photos de votre cuisine Thermador et les anecdotes relatives au remodelage de votre cuisine. Suivez-nous sur Twitter ou affichez des photos de votre cuisine sur Facebook. Nous serions ravis d’avoir de vos nouvelles!

Thermador vous souhaite de nombreuses années de gastronomie créative.

¡Enhorabuena

¡Enhorabuena por la reciente compra de su Thermador! Que Usted sea un gran jefe de cocina o un simple aficionado del arte culinario, el hecho de poseer una cocina Thermador es la última expresión de su estilo personal, de su buen gusto y de su apreciación de una experiencia culinaria completa. Nuestros premiados productos permiten al entusiasta de la cocina explorar este mundo desde hace más de once décadas.

Antes de comenzar a utilizar sur nuevo producto Thermador, tómese un momento para echar un vistazo a este manual de uso y mantenimiento. Encontrará respuestas a todas sus preguntas además de informaciones esenciales en materia de seguridad. Ponga especial atención a las **Instrucciones de seguridad importantes**, situadas al principio del manual. ¡Su producto Thermador está listo y solo espera a que Usted lo use para su próxima creación gastronómica!

Nuestros productos se fabrican a mano con materiales auténticos de alta calidad a fin de garantizar años de servicio fiable. En el caso improbable en que Usted tenga una pregunta relativa al mantenimiento, tenga a mano el número de serie y el modelo de su producto (consulte “*Antes de Solicitar Servicio*”).

Nos damos cuenta de que Usted invirtió una suma considerable en su cocina. No dude en compartir con nosotros las fotos de su cocina Thermador y anécdotas acerca de la reforma de su cocina. Síguenos en Twitter o publique fotos de su cocina en Facebook. ¡Estaremos encantados de tener noticias tuyas!

¡Thermador le desea varios años de gastronomía creativa!

Table of Contents

Safety	4	Baking Recommendations	30
Description	10	Convection	30
Parts Identification	10	Tips for Convection Bake	31
Before You Begin	12	Dehydrating Foods with Convection Bake	32
Getting Started	12	Warm (some models)	33
Oven Racks	12	Proof (some models)	33
Surface Burners	13	Other Uses of Bake	34
Oven Operation	13	Broil and Conv Broil (some models)	34
Using The Cooktop	14	Broiling Recommendations	35
Sealed STAR Burners	14	Care and Maintenance	36
ExtraLow Burners	16	Self-Cleaning the Oven (some models)	36
Cookware Recommendations	18	Range Cleaning Tips	37
Surface Burner Cooking Recommendations	20	Cleaning Recommendations	38
Using the Electric Griddle (some models)	22	Do-It-Yourself Maintenance	43
Griddle Cooking Recommendations	23	Oven Light Bulb Replacement	43
Using the Electric Grill (some models)	25	Before Calling For Service	44
Grill Cooking Recommendations	27	Data Rating Label	44
Using the Oven	28	Service Information	44
Oven Operation	28	Troubleshooting	45
Bake or Convection Bake	29	Statement of Limited Product Warranty	46
Extended Bake	29	Support, Accessories & Parts	back page
Secondary Oven	30		

Safety Definitions

▲ WARNING
This indicates that death or serious injuries may occur as a result of non-observance of this warning.

▲ CAUTION
This indicates that minor or moderate injuries may occur as a result of non-observance of this warning.

NOTICE: This indicates that damage to the appliance or property may occur as a result of non-compliance with this advisory.

Note: This alerts you to important information and/or tips.

This THERMADOR® appliance is made by
 BSH Home Appliances Corporation
 1901 Main Street, Suite 600
 Irvine, CA 92614

Questions?
 1-800-735-4328
 www.thermador.com

We look forward to hearing from you!

Safety



IMPORTANT SAFETY INSTRUCTIONS READ AND SAVE THESE INSTRUCTIONS

PLEASE READ CAREFULLY

WARNING

When properly cared for, your new appliance has been designed to be safe and reliable. Read all instructions carefully before use. These precautions will reduce the risk of burns, electric shock, fire, and injury to persons. When using kitchen appliances, basic safety precautions must be followed, including these in the following pages.

WARNING

If the information in this manual is not followed exactly, a fire or explosion may result causing property damage, personal injury or death.

- **DO NOT** store or use gasoline or other flammable vapors and liquids in the vicinity of this or any other appliance.
- **WHAT TO DO IF YOU SMELL GAS**
 - **DO NOT** try to light any appliance.
 - **DO NOT** touch any electrical switch.
 - **DO NOT** use any phone in your building.
 - Immediately call your gas supplier from a neighbor's phone. Follow the gas supplier's instructions.
 - If you cannot reach your gas supplier, call the fire department.
- Installation and service must be performed by a qualified installer, service agency or the gas supplier.

WARNING



A child or adult can tip the range over and be killed. Verify that the anti-tip bracket is securely installed. Ensure the anti-tip bracket is engaged when the range is moved.

DO NOT operate the range without the anti-tip bracket in place. Failure to follow the instructions in this manual can result in death or serious burns to children and adults. Check for proper installation and use of anti-tip bracket. Carefully tip range forward pulling from the back to ensure that the anti-tip bracket engages and prevents tip-over. Range should not move more than 1" (2.5 cm).

Gas and Electrical Requirements and Grounding Instructions

Gas Type Verification

Verify the type of gas supplied to the location. Ensure that the appliance is connected to the type of gas for which it is certified. Make certain your range and gas type are the same. Refer to the product rating label (see section *Before Calling for Service*).

CAUTION

When connecting the unit to propane gas, make certain the propane gas tank is equipped with its own high-pressure regulator in addition to the pressure regulator supplied with the range. **The maximum gas pressure to this appliance must not exceed 14.0" water column (34.9 mb) from the propane gas tank to the pressure regulator.**

IMPORTANT:

Except for PRD305PH, PRG305PH, and PRL305PH models, when installing against a combustibile surface, a Low Backguard is required. A THERMADOR™ Low Backguard must be purchased separately. Before using the range, ensure that it is equipped with a proper back guard. Refer to the *Installation Manual* accompanying this appliance for more information.

When using the Flush Island Trim, THERMADOR recommends a minimum 12" (305 mm) rear clearance to a combustibile surface. Clearances from non-combustibile materials are not part of the ANSI Z21.1 scope and are not certified by CSA. Clearances of less than 12" (305 mm) must be approved by the local codes and/or by the local authority having jurisdiction.

WARNING

To avoid possible burn or fire hazard, a back guard designed specifically for this range must be installed whenever the range is used. Refer to the *Installation Manual* accompanying this appliance for more information.



IMPORTANT SAFETY INSTRUCTIONS

READ AND SAVE THESE INSTRUCTIONS

Electrical Requirements

WARNING

ALWAYS disconnect the electrical plug from the wall receptacle before servicing this unit.

CAUTION

For personal safety, this appliance must be connected to a properly grounded and polarized electrical power supply.

WARNING

IN CASE OF AN ELECTRICAL FAILURE

If for any reason a gas control knob is turned ON and there is no electrical power to operate the electronic igniters on the range's cooktop STAR[®] burners, **turn OFF the gas control knob and wait 5 minutes** for the gas to dissipate before lighting the STAR burner manually.

To light the STAR burners manually, carefully hold a lighted match to the STAR burner ports and turn the gas control knob to HI.

During a power failure, you can use the standard cooktop STAR burners, but each must be lit with a match.

DO NOT attempt to light the XLO STAR burners manually. These STAR burners are equipped with the ExtraLow[®] feature and cannot be lit manually.

See the Installation Manual for electrical requirements and grounding instructions.

It is recommended that a dedicated circuit servicing this appliance be provided. See the *Installation Manual* for electrical requirements and grounding instructions.

The use of gas cooking appliances results in the production of heat and moisture.

It is the personal responsibility and obligation of you, the user, to have this appliance connected to the electrical power supply by a qualified electrician, in accordance with the National Electrical Code and/or applicable local codes and ordinances.

TESTED IN ACCORDANCE WITH:

- ANSI Z21.1, Household Cooking Appliances
- CAN 1-1.1-M81, Domestic Gas Ranges
- UL 858, Household Electric Ranges
- CSA C22.2 No. 61, Household Cooking Ranges

Check your local building codes for the proper method of installation. In the absence of local codes, this unit should be installed in accordance with the National Fuel Gas Code No. Z223.1 current issue and the National Electrical Code ANSI/NFPA No. 70 current issue or the Can - B149 Installation Codes for Gas Burning Appliances and C22.1 Canadian Electrical Code Part 1.

It is the responsibility of the owner and the installer to determine if additional requirements and/or standards apply to specific installations.

Basic Safety Precautions

When properly cared for, your new range has been designed to be a safe, reliable appliance. However, use extreme care when using this restaurant caliber range as this type of appliance provides intense heat. When using kitchen appliances, basic safety precautions must be followed, including the following:

Read this Use and Care Guide carefully before using your new range, to reduce the risk of fire, electrical shock, or injury to persons.

Ensure proper installation and servicing. Follow the installation instructions provided with this product. Have the range installed and electrically grounded by a qualified technician.

Have the installer show you where the electric circuit breaker and the gas supply shut off valve are located so you know how and where to turn off the gas and electricity to the range.

In the event a STAR[®] burner goes out and gas escapes, open a window or a door. **DO NOT** attempt to use the range until the gas has had time to dissipate. Wait at least 5 minutes before using the range.



IMPORTANT SAFETY INSTRUCTIONS

READ AND SAVE THESE INSTRUCTIONS

DO NOT repair or replace any part of the appliance unless specifically recommended in this manual. All other servicing should be referred to a qualified technician.

If the range is near a window, be certain the curtains do not blow over or near the range burners; they could catch on fire.

WARNING

TO REDUCE THE RISK OF A GREASE FIRE:

- Never leave surface units unattended at high settings. Boilovers cause smoking and greasy spillovers that may ignite. Heat oils slowly on low or medium settings.
- Always turn hood ON when cooking at high heat or when flambéing food (i.e. Crepes Suzette, Cherries Jubilee, Peppercorn Beef Flambé).
- Clean hood filters frequently. Grease should not be allowed to accumulate on fan or filter.
- Use proper pan size. Always use cookware appropriate for the size of the cooktop burner.

WARNING

This appliance should not be installed with a ventilation system that directs air in a downward direction toward the range. This type of ventilation system may cause ignition and combustion problems with the appliance resulting in personal injury, property damage, or unintended operation. Ventilating systems that direct the air upwards do not have any restriction.

ALWAYS have a working smoke detector near the kitchen. In the event that personal clothing or hair catches fire, drop and roll immediately to extinguish flames.

Smother flames from food fires, other than grease fires, with baking soda. Never use water on cooking fires.

Whenever possible, do not operate the ventilation system during a cooktop fire. However, **DO NOT** reach through fire to turn it off.

NEVER let clothing, potholders, or other flammable materials come in contact with or too close to any element, top burner or burner grate until it has cooled. Fabric may ignite and result in personal injury.

Have an appropriate fire extinguisher available, nearby, highly visible and easily accessible near the cooking appliance.

Child Safety

When children become old enough to use the appliance, it is the responsibility of the parents or legal guardians to ensure that they are instructed in safe operation of the appliance by qualified persons.

WARNING

DO NOT store items of interest to children above or at the back of the range. If children should climb onto the appliance to reach these items, they could be seriously injured.

DO NOT allow anyone to climb, stand, lean, sit, or hang on any part of an appliance, especially a door. This can damage the appliance, and the unit may tip over, potentially causing severe injury.

DO NOT allow children to use this appliance unless closely supervised by an adult.

Children and pets should not be left alone or unattended in the area where the appliance is in use. They should never be allowed to play in its vicinity, whether or not the appliance is in use.

NEVER use any part of the range or ovens for storage. Flammable materials can catch fire and plastic items may melt or ignite.

DO NOT hang articles from any part of the appliance or place anything against the ovens. Some fabrics are quite flammable and may catch on fire.

Use only dry potholders: moist or damp potholders on hot surfaces may cause burns from steam. **DO NOT** use a towel or other bulky cloth in place of potholders. **DO NOT** let potholders touch hot elements, hot burners, or burner grates.

WARNING

State of California Proposition 65 Warnings:

This product contains chemicals known to the State of California to cause cancer, birth defects or other reproductive harm.



IMPORTANT SAFETY INSTRUCTIONS

READ AND SAVE THESE INSTRUCTIONS

For personal safety, wear proper apparel. Loose fitting garments or hanging sleeves should never be worn while using this appliance. Some synthetic fabrics are highly flammable and should not be worn while cooking.

DO NOT use aluminum foil to line any part of the oven or range. Use of a foil liner could result in a shock or fire hazard, or the obstruction of the flow of combustion and ventilation air. Foil is an excellent heat insulator and heat will be trapped beneath it. This will upset the cooking performance and can damage the finish of the oven or the range.

When using the cooktop: **DO NOT TOUCH THE BURNER GRATES OR THE IMMEDIATE SURROUNDING AREA.** Areas adjacent to the burners may become hot enough to cause burns.

WARNING

TO REDUCE THE RISK OF INJURY TO PERSONS, IN THE EVENT OF A RANGE TOP GREASE FIRE, OBSERVE THE FOLLOWING:

- Smother flames with a close-fitting lid, cookie sheet, or other metal tray, then turn off the gas burner or the electric element. Be careful to prevent burns. If the flames do not go out immediately, evacuate and call the fire department.
- Never pick up a flaming pan — You may be burned.
- **DO NOT USE WATER**, including wet dish cloths or towels — a violent steam explosion will result.
- Use an extinguisher only if:
 - You know you have a class ABC extinguisher and you already know how to operate it.
 - The fire is small and contained in the area where it started.
 - The fire department is being called.
 - You can fight the fire with your back to an exit.

Never leave the range unattended when using high flame settings. Boil overs cause smoking and greasy spillovers that may ignite. Also, if the burner flames and igniter are smothered with spillage, unburned gas will escape into the room. See *page 1* regarding gas leaks.

DO NOT heat or warm unopened food containers. Build-up of pressure may cause the container to burst and cause injury.

Only certain types of glass, heatproof glass-ceramic, ceramic, earthenware, or other glazed cookware are suitable for cooking on the range burners. This type of cookware may break with sudden temperature changes. Use only on low or medium heat settings according to the utensil manufacturer's directions.

WARNING

RANGE TIPPING HAZARD:

- All ranges can tip and injury can result. To prevent accidental tipping of the range, attach it to the floor, wall, or cabinet by installing the Anti-Tip Device supplied.
- A risk of tip-over may exist if the appliance is not installed in accordance with these instructions.
- If the range is pulled away from the wall for cleaning, service, or any other reason, ensure that the Anti-Tip Device is properly reengaged when the range is pushed back against the wall. In the event of abnormal usage (such as a person standing, sitting, or leaning on an open door), failure to take this precaution can result in tipping of the range. Personal injury might result from spilled hot liquids or from the range itself.

WARNING

The appliance is for cooking. Based on safety considerations, never use the oven or cooktop to warm or heat a room. Also, such use can damage the cooktop or oven parts.

WARNING

NEVER cover any slots, holes, or passages in the oven bottom or cover an entire rack with materials such as aluminum foil. Doing so blocks air flow through the oven. Aluminum foil linings may also trap heat, causing a fire hazard.

WARNING

NEVER use this appliance as a space heater to heat or warm the room. Doing so may result in carbon monoxide poisoning and overheating of the oven.



IMPORTANT SAFETY INSTRUCTIONS

READ AND SAVE THESE INSTRUCTIONS

During cooking, set the burner control so that the flame heats only the bottom of the pan and does not extend beyond the bottom of the pan.

WARNING

Avoid using high flame setting with a pan larger than the grate or with one that spans more than one burner, such as a griddle, for prolonged periods of time. This can result in poor combustion that generates harmful by-products.

Use caution to ensure that drafts like those from forced air vents or fans do not blow flammable material toward the flames or push the flames so that they extend beyond the edges of the pot.

Always use pots and pans that have flat bottoms large enough to cover the burner. The use of undersized pots and pans could expose a portion of the flame and may result in ignition of clothing.

To minimize the risk of burns, ignition of flammable materials and unintentional spillage, position handles of pots and pans inward so they do not extend over adjacent work areas, cooking areas, or the edge of the range's cooktop.

DO NOT use pots or pans on the grill plate accessory. Bakeware, such as large casserole pans, cookie sheets, etc., should never be used on the cooktop.

DO NOT use flammable cleaners to clean the range.

Hold the handle of the pan to prevent movement when stirring or turning food.

Remove the optional cutting board or griddle cover accessory, which is stored on top of the griddle plate, before operating the griddle or any adjacent burners.

GREASE IS FLAMMABLE. Let hot grease cool before attempting to handle it. Avoid letting grease deposits collect. Clean after each use.

For proper lighting and performance of the burners, keep the igniter ports clean. It is necessary to clean the ports when there is a boil over or when the burner does not light even though the electronic igniters activate.

Clean the range with caution. Avoid steam burns; **DO NOT** use a wet sponge or cloth to clean the range while it is hot. Some cleaners produce noxious fumes if applied to a hot surface. Follow directions provided by the cleaner manufacturer.

WARNING

After a spill or boil over, turn off the burner and using caution due to possible hot surfaces, clean around the burner and burner ports. After cleaning, check for proper operation.

Ensure all cooktop controls are turned off and the cooktop is cool before using any type of aerosol cleaner on or around the cooktop. The chemical that produces the spraying action could, in the presence of heat, ignite or cause metal parts to corrode.

Place oven racks in desired position while oven is cool. If a rack must be moved while the oven is hot, do not let the potholders contact the broiler element.

When using the oven do not touch the broiler element, the interior surfaces of the oven or the exterior area immediately surrounding the door. Interior oven surfaces become hot enough to cause burns. The heat deflector, which deflects heat away from the cooktop and the trim on the top and sides of the oven door, will also be hot when the oven is in use.

Use care when opening the oven door; let hot air or steam escape before removing or replacing foods.

Before self-cleaning the oven (select models), remove the broiler pan, oven racks, and any other utensils, and excess spillage.

Please note that some pets or humans can be sensitive to the odors created during the self-cleaning process whether it is a manufacturing residue burn off or food, so it is recommended that those potentially affected be removed from the kitchen area during the self-clean process.

DO NOT clean, rub, damage, move or remove the door gasket. It is essential for a good seal during baking. If the gasket becomes worn or excessively soiled with food particles, replace gasket to assure a tight seal.



IMPORTANT SAFETY INSTRUCTIONS

READ AND SAVE THESE INSTRUCTIONS

Protect the self-cleaning feature. Clean only those parts indicated in this booklet. **DO NOT** use commercial oven cleaners or oven liner protective coatings of any kind in or around the self-cleaning oven(s).

For safety reasons and to avoid damage to the range, never sit, stand, or lean on the oven door.

Service should only be done by authorized technicians. Technicians must disconnect the power supply before servicing this unit.

Listen to be sure the cooling blower runs whenever the oven controls are set to BROIL or BAKE modes, after oven heats to 300°F (149°C) — see “Automatic operation of the cooling blowers”. If the fan does not operate, do not use the oven. Call an authorized service center for service.

To avoid a fire hazard, grease accumulation must be prevented by frequently cleaning the ventilation hood and filters.

DO NOT use the optional grill plate for cooking excessively fatty meats or products which promote flare-ups.

When cooking fatty or oily foods on burners, the grill, or the griddle, adjacent gas burners can ignite airborne fumes. Use caution to avoid burns.

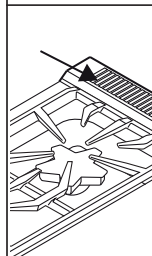
In case of fire or when intentionally “flaming” liquor or other spirits on the range’s cooktop, follow manufacturer’s instructions. Use caution when cooking foods with high alcohol content (e.g. rum, brandy, bourbon) in the oven. Alcohol evaporates at high temperatures. There is a risk of burning as the alcohol vapors may catch fire in the oven. Use only small quantities of alcohol in foods, and open the oven door carefully.

Remove all tape and packaging before using the appliance. Destroy the packaging after install. Never allow children to play with packaging material.

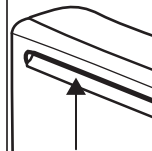
DO NOT store or use corrosive chemicals, vapors, flammables, or nonfood products in or near this appliance. It is specifically designed for use when heating or cooking food. The use of corrosive chemicals while heating or cleaning will damage the appliance and could result in injury.

DO NOT obstruct the flow of combustion or ventilation air.

WARNING



DO NOT block or obstruct the flow of air through the ventilation openings. The oven vent is located at the back of the appliance. The vents need to be unobstructed and open to provide necessary airflow that is important for proper oven performance.



DO NOT touch oven vent area while the appliance is on and for several minutes after the appliance is off. Some parts of the vent and surrounding areas become hot enough to cause burns. Allow appliance sufficient time to cool before touching or cleaning vent areas.

DO NOT position plastic or other heat-sensitive items on or near the oven vent. These items could melt or ignite.

IMPORTANT:

There is a possibility to discolor the back wall under certain cooking conditions.

WARNING

To avoid risk of burn, turn the hood ON when cooking at high heat or when flambéing food.

DO NOT use all heating elements or gas burners simultaneously at high settings for a prolonged period. (max. 15 minutes).

If the hood is located over a gas cooktop, operate the hood at maximum setting whenever three or more gas burners are being used.

DO NOT operate the ventilation system during a cooktop fire.

Description

Parts Identification

Control Panel Identification

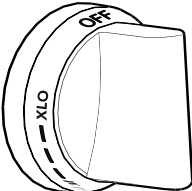
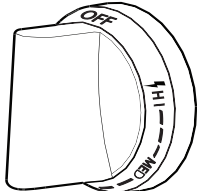
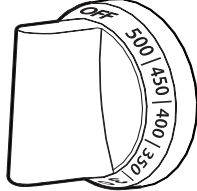
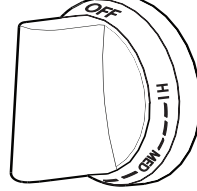
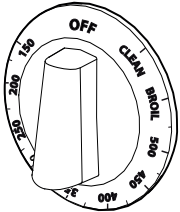
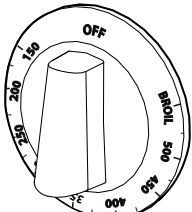
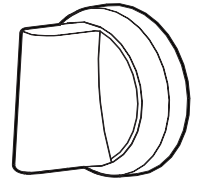
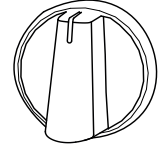

<p>ExtraLow® Knob</p> 	<p>Standard Knob</p> 	<p>Griddle Knob</p> 	<p>Grill Knob</p> 	<p>Dual Fuel Oven Temp Selector</p> 
<p>Gas Oven Temp Selector</p> 	<p>36" Mode Knob</p> 	<p>30" & 48" Mode Knob</p> 	<p>Oven Light Switch</p> 	

Table 1: Knob Identification

Range Identification

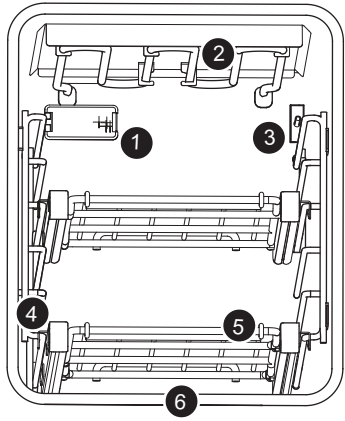
Model shown is 48" with Griddle and Grill Options (models will vary)

1. Flush Island Trim (shown), Low Back (sold separately), or Zero Clearance Trim (available on 305" models only)
2. Burner Grates & Burners
3. Electric Grill (option)
4. Electric Griddle (option)
5. Control Panel
6. Secondary Oven (48" models only)
7. Main Oven
8. Kick Panel
9. Range Feet

⚠ WARNING:
To provide proper ventilation of the range, **DO NOT** remove range feet.

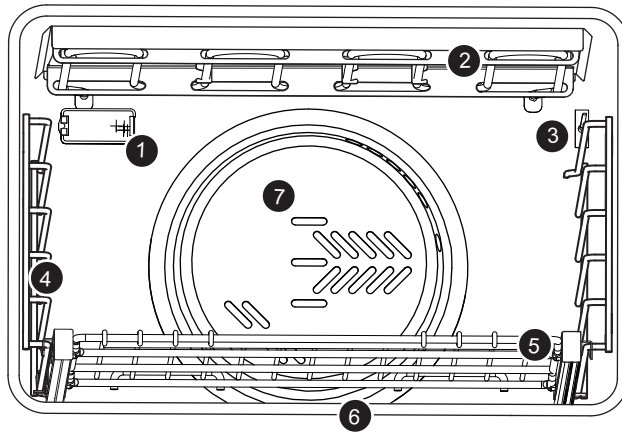
Figure 1: 48" Dual Fuel Range Identification

Dual Fuel Oven Interior Identification



Electric Secondary Oven Interior (48" models only)

1. Oven Interior Light
2. Broil Element
3. Oven Thermostat
4. Rack Guides
5. Oven Racks (2 included)
6. Bake Element (hidden)

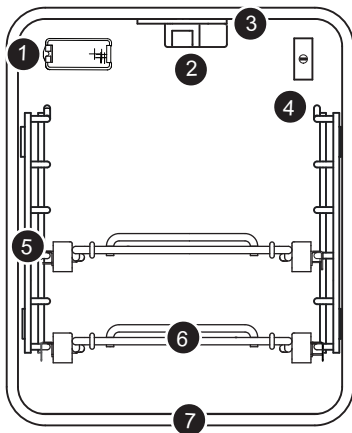


Electric Main Oven Interior

1. Oven Interior Light
2. Broil Element
3. Oven Thermostat
4. Rack Guides
5. Oven Racks (3 included, 1 shown)
6. Bake Element (hidden)
7. Convection Fan Cover

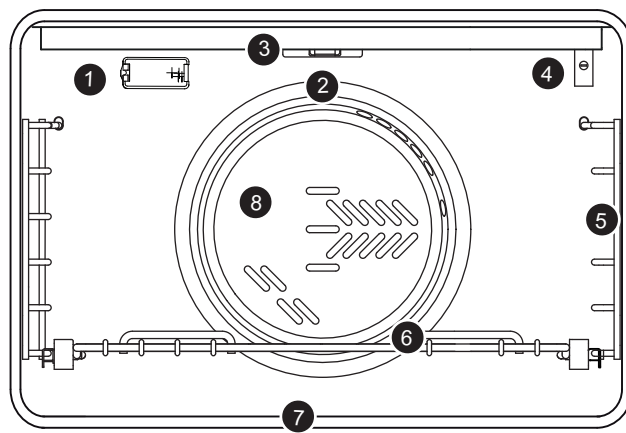
Figure 2: Dual Fuel Main Oven Interior Identification

Gas Oven Interior Identification



Gas Secondary Oven Interior (48" models only)

1. Oven Interior Light
2. Broil Ignitor
3. Infrared Broil Burner
4. Oven Thermostat
5. Rack Guides
6. Oven Racks (2 included)
7. Bake Burner (hidden)



Gas Main Oven Interior

1. Oven Interior Light
2. Broil Ignitor
3. Infrared Broil Burner
4. Oven Thermostat
5. Rack Guides
6. Oven Racks (3 included)
7. Bake Burner (hidden)
8. Convection Fan Cover

Figure 3: Gas Main Oven Interior Identification

Before You Begin

Getting Started

Data Rating Label

Record the Model and Serial number on *page 58* (see “Data Rating Label”). The model and serial number must be provided when calling Customer Support for assistance. Enter this information on the Product Registration Form included with this product then mail it to the indicated address.

Oven Racks

⚠ CAUTION

To help prevent burns, never remove or reposition the oven racks while the oven is ON or while the oven is cooling.

⚠ WARNING

Aluminum foil should **NEVER** be used to cover the oven racks or to line the oven. It can damage the oven and cause a fire hazard if heat is trapped under it.

Oven Rack Positions

The correct rack position depends on the recipe and the cooking mode. **The rack positions are numbered from the bottom of the oven, like an elevator.** Rack position 3 is the most frequently used position. Place rack(s) in the proper position before turning on the oven.

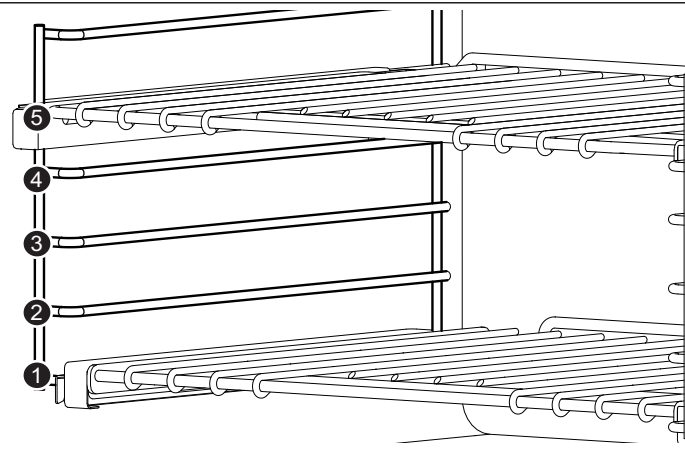
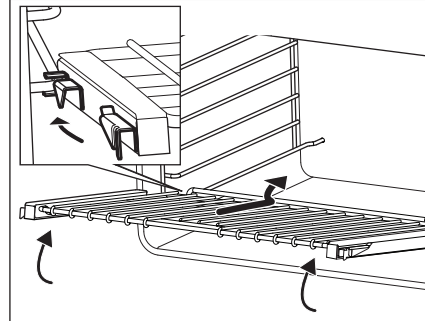


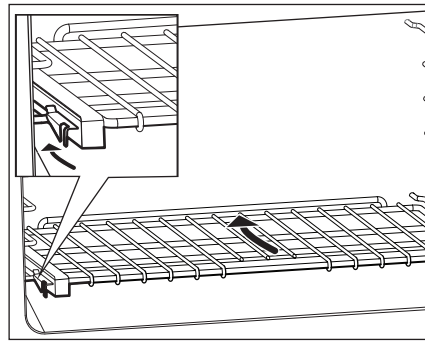
Figure 4: Oven Rack Positions

Placing Full Access® Racks in the Oven

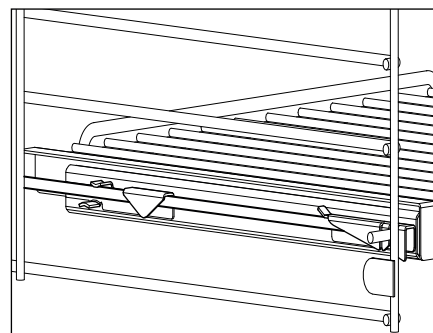
1. Hold the rack on a slight angle. Place the safety hooks under the front of the rack guides.



2. Push the rack into the oven, lifting the rack stops over the front of the rack guides.
3. Hold the rack straight.
4. Push the rack in until it is even with the front hooks.



5. Lift the rack up.
6. Push the rack in completely.
7. Engage the rack's front hooks on the rack guides.

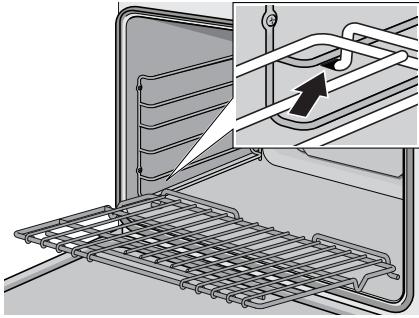


IMPORTANT: When placing the gliding rack in the oven, make sure the front supports on the rack guides rest in the large slots at the front corners of the rack. This is necessary to keep the rack in the correct position while fully inserted into the oven.

Figure 5: Inserting the Gliding Oven Rack

Placing Flat Racks in the Oven

The rack is designed with a stop so it will stop before coming completely out of the oven and not tilt.



1. Grasp rack firmly on both sides.
2. Insert rack (see picture).
3. Tilt rack up to allow stop into rack guide.
4. Bring rack to a horizontal position and push the rest of the way in. Rack should be straight and flat, not crooked.

Figure 6: Inserting the Oven Rack

IMPORTANT: Always remove the oven racks before self-cleaning the oven. If the gliding racks remain in the oven during Self-Clean, lubricants in the glide mechanisms of each rack will be lost and the finish will discolor.

ALWAYS REMOVE BEFORE SELF CLEAN

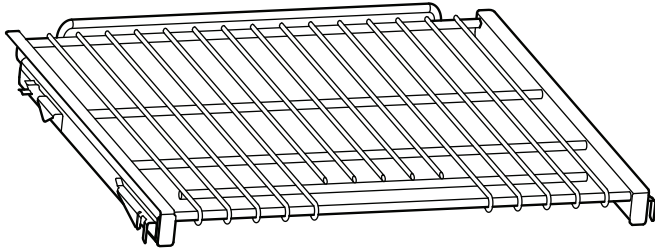


Figure 7: Full Access Oven Rack

ALWAYS REMOVE BEFORE SELF CLEAN

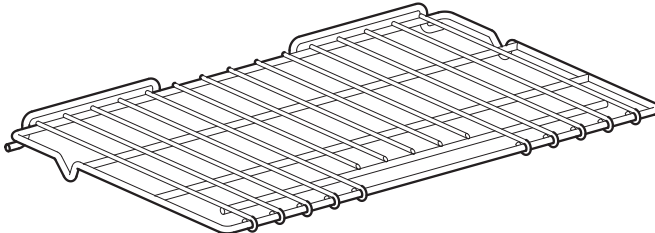


Figure 8: Flat Oven Rack

Surface Burners

1. Ensure that the burner caps are correctly seated on the burner bases of the range's cooktop (see page 15).
2. Turn on each burner to check for proper flame color. See "Flame Description" on page 17 for details.

Oven Operation

1. **Before baking or broiling**, the oven and broiler should be turned on to burn off the manufacturing oils using one of the two following methods:
 - Turn on kitchen ventilation (or if vent hood is a recirculation type open a window). Turn the oven on to 450°F (230°C) for 20 to 30 minutes; then turn the broiler to BROIL for the same length of time. Please note that it is normal for small amounts of smoke to be visible from the range during this initial breaking-in process.
 - Turn on kitchen ventilation (or if vent hood is a recirculation type open a window). Remove oven racks. Set oven SPEED CLEAN and let self-clean run (some models only. See "Self-Cleaning the Oven (Dual Fuel Models Only)" on page 36).

Please note that some pets or humans can be sensitive to the odors created during the self-cleaning process whether it is a manufacturing residue burn off or food, so it is recommended that those potentially affected be removed from the kitchen area during the self-clean process.

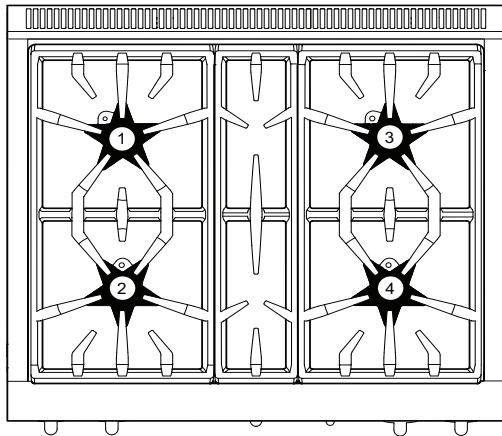
The range occasionally has a smell or smoke when first used. These smells or smoke comes from the burning off of manufacturing residues and is typical of any new oven regardless of manufacturer.

Please read "Care and Maintenance" before cleaning the oven racks.

Note: It is normal for the cooling process to push heated air out into the room when the oven is on.

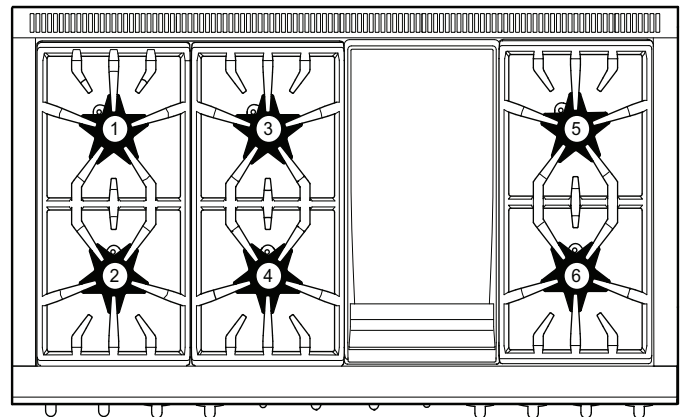
Using The Cooktop

Sealed STAR® Burners



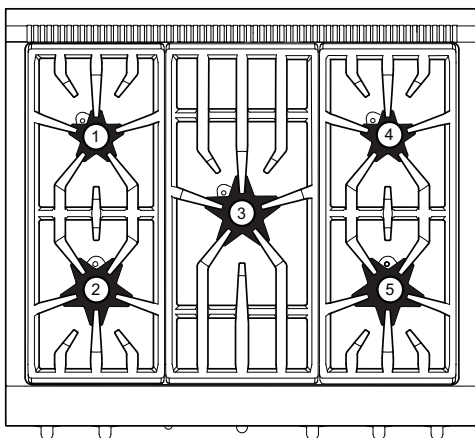
1. Left rear burner (Natural Gas 18000 BTUs, LP 15000 BTUs) — ExtraLow® Burner
2. Left front burner (Natural Gas 18000 BTUs, LP 15000 BTUs) — ExtraLow Burner
3. Right rear burner (Natural Gas 18000 BTUs, LP 15000 BTUs)
4. Right front burner (Natural Gas 18000 BTUs, LP 15000 BTUs)

Figure 9: Model PRD304 & PR(G/L)304



1. Left rear burner (Natural Gas 18000 BTUs, LP 15000 BTUs) — ExtraLow® burner
2. Left front burner (Natural Gas 18000 BTUs, LP 15000 BTUs) — ExtraLow burner
3. Center rear burner (Natural Gas 18000 BTUs, LP 15000 BTUs)
4. Center front burner (Natural Gas 18000 BTUs, LP 15000 BTUs)
5. Right rear burner (Natural Gas 18000 BTUs, LP 15000 BTUs)
6. Right front burner (Natural Gas 18000 BTUs, LP 15000 BTUs)

Figure 11: Model PRD364, PRD366, PRD486, PR(G/L)364, PR(G/L)366, PR(G/L)486



1. Left rear burner (Natural Gas 8000, LP 6000 BTUs) — ExtraLow® Burner
2. Left front burner (Natural Gas 10000, LP 9100 BTUs)
3. Center burner (Natural Gas 15000, LP 11000 BTUs)
4. Right rear burner (Natural Gas 8000, LP 6000 BTUs)
5. Right front burner (Natural Gas 18000 BTUs, LP 14000 BTUs) — ExtraLow® Burner

Figure 10: Model PRD305 & PR(G/L)305

Burner Cap Placement

Each cap has a letter (B, D, or F) cast in the underside of the cap that corresponds to a letter (B, D, or F) cast in the burner base that is attached to the appliance.

- Place each burner cap on its correct burner base per its corresponding letter designation. See figure below.

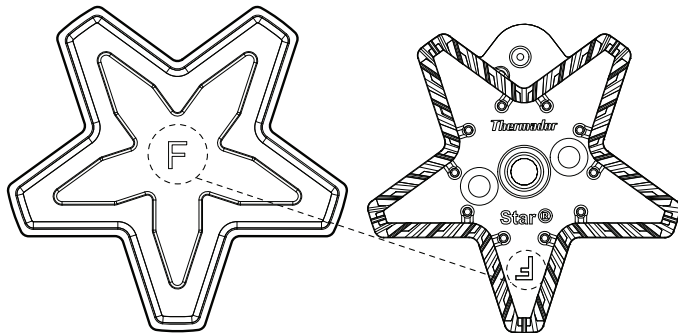


Figure 12: STAR Burner Components

- Place burner cap gently on top of base so that the prongs of the burner base fit snugly into the groove of the burner cap.

Burners Caps

The burner caps must be properly placed on the burner bases for the cooktop to function properly. If the burner cap is not properly placed, one or more of the following problems may occur:

- Burner flames are too high.
- Flames shoot out of burners.
- Burners do not ignite.
- Burner flames light unevenly.
- Burner emits gas odor.

⚠ WARNING

To prevent flare-ups and avoid the creation of harmful by-products, do not use the cooktop without all burner caps and all burner grates properly positioned.

⚠ WARNING

To prevent burns, do not touch burner caps or grates while hot. Turn the cooktop off and allow the burners to cool.

Checking Burner Cap Placement

- Check each burner to make sure there is no gap between the burner cap and burner base. See *Figure 13: Correct and Incorrect Burner Cap Placement* to see examples of correct and incorrect placements of the burner cap.
- You may gently try to move the burner caps from side to side to check if the caps are properly placed on the burner bases. When properly placed, each burner cap will rest flat on top of its burner base, and completely cover the star-shape of the burner base when viewed from the top as shown in *Figure 13*.

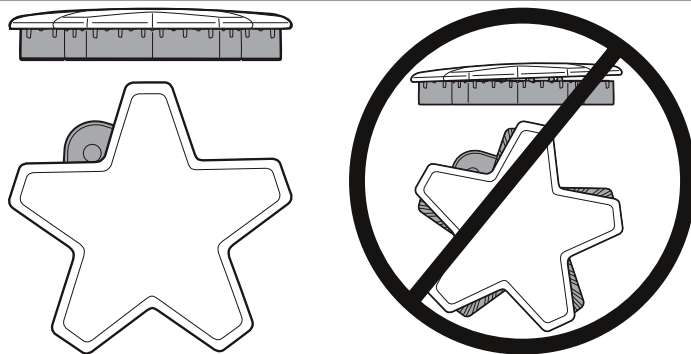


Figure 13: Correct and Incorrect Burner Cap Placement

Burner Grate Placement

Ensure the burner grates are properly placed on the cooktop before using the surface burners. The grates are designed to rest inside the recess on the cooktop.

To install burner grates, place grates flat-side down and align into the cooktop recess. Grates should rest flush against each other and against the sides of the recess.

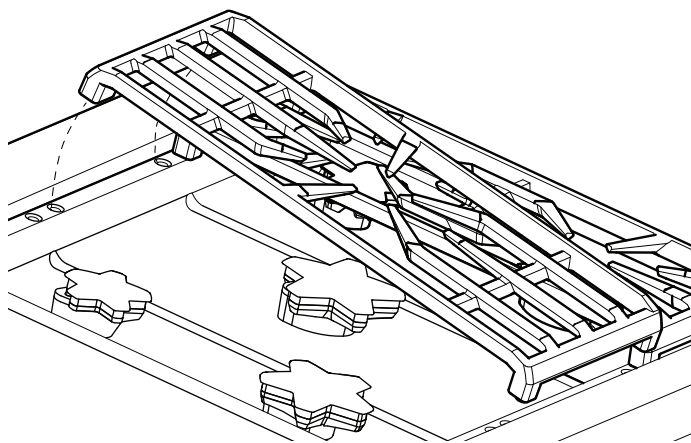


Figure 14: Burner Grate Placement

Control Knobs

The control knobs for two sealed gas burners, one in front and one in the rear, are located directly in front of and below the pair of burners on the control panel. Each burner has its own control knob. The symbol above each control knob identifies the burner position on the cooktop.

Operation of the Burners

1. Press in on the knob and turn it counter-clockwise to the **HI** setting on the knob.
 - The igniter for the selected burner clicks and sparks.
 - After burner ignition, the igniter stops clicking.
2. Rotate the knob to any flame setting between **HI** and **SIM**.
 - The blue signal light, between the burner knobs, will light when adjacent burners are lit. The light will remain on until the adjacent burners are turned off.

ExtraLow® Burners

The controls for the ExtraLow burners have flame settings even lower than the standard **SIM** settings.

The drawing shows that the control knob has an additional range between the **SIM** and **XLO** settings. When the knob is set within this range, the flame cycles off and on. By varying the length of time the flame is off and on, the heat is reduced even further to cook delicate foods. For example, these very low settings are suitable for simmering and poaching, melting chocolate and butter, holding cooked foods at temperatures without scorching or burning, etc.

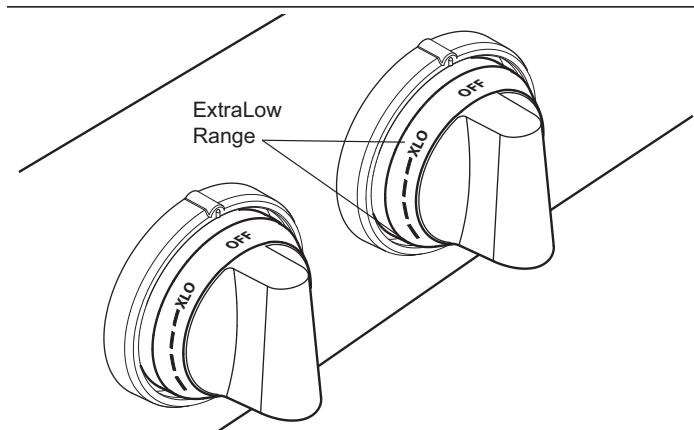


Figure 15: ExtraLow Burner Control Knob

Operation of the ExtraLow Burners

- **XLO**, the very lowest setting, is achieved by cycling the flame **ON** for approximately 7 seconds and **OFF** for 53 seconds of each minute.
- When the knob is set just below the **SIM** setting, the flame will cycle **ON** for approximately 53 seconds and **OFF** for 7 seconds of each minute.
- To vary the amount of low heat to suit the food and quantity, the control can be set anywhere within the **SIM** and **XLO** range marked on the knob.
- The **XLO** knobs are disabled during self-clean (Dual Fuel models only). The knob functions will remain unavailable until after the oven unlocks.

ExtraLow Techniques

- The type and quantity of food affects which setting to use.
- The pan selected affects the setting. Its size, type, material, and whether a lid is used, all affect the consistency of the cooking temperature.
- To maintain a low or simmer heat, bring food to a rolling boil. Stir well, then cover the pan and lower the heat to a setting just below **SIM**.
- Check periodically to see if the control knob should be turned to another setting.
- If a large pan is used, the simmer action may occur mainly in the center of the pan. To equalize the temperature throughout the food, stir the food around the outer edges of the pan into the food in the center.
- It is normal to stir food occasionally while simmering. This is especially important when simmering for several hours, such as for a homemade spaghetti sauce or beans.
- When lowering the flame setting, adjust it in small steps.
- If the setting is too low to hold a simmer, bring the food back to a boil before re-setting to a higher heat.
- It is normal not to see simmer bubbles immediately after the food has been stirred.
- There may be bubbling when the flame cycles **ON** and no bubbles when the flame is **OFF**. Even when the flame is **OFF**, there will be steam and a slight quiver on the liquid's surface.

Automatic Re-Ignition

Each burner has its own electronic igniter that sparks when the burner is turned on. Each burner should light in 4 seconds or less. If a burner does not light, check to see that the cap is positioned correctly on the base.

If any one or more burners blow out, the electronic igniter automatically activates to re-light the flame. **Do not touch the burners when the igniters are active.**

⚠ CAUTION

DO NOT touch the STAR® burners when the igniters are sparking.

IMPORTANT:

- For proper combustion do not use the cooktop without the burner grates in place.
- There is a slight sound associated with gas combustion and ignition. This is a normal condition.
- On cooktops using propane gas (LP), a slight “pop” sound may be heard at the burner ports a few seconds after the burner has been turned off.

Power Failure

- In the event of a power failure, only the standard burners can be manually lit. It is necessary to light each one individually.
- If the cooktop is being used when the power failure occurs, turn **all** knobs to the **OFF** position.
- The standard burners can be lit by holding a match at the ports and turning the control knob to the **HI** position. Wait until the flame is burning all around the burner cap before adjusting the flame to the desired height.
- The ExtraLow® burners cannot be used during a power failure. **Be sure to turn them off.**
- If an ExtraLow burner is on when a power failure occurs, it cannot be turned back on until the knob is first turned off.
- The griddle cannot be used during a power failure.
- If you smell gas, refer to safety precautions listed on *page 4*.

⚠ WARNING

In the event of a power failure, turn all knobs to the **OFF** position. Only the Standard burners can be lit manually.

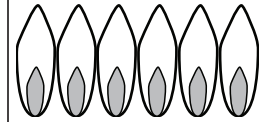
Flame Height

- The correct flame height depends on 1) size and material of pan being used; 2) food being cooked; and 3) amount of liquid in the pan.
- Never extend the flame beyond the base of the pan.
- Use a low or medium flame for pan materials that conduct the heat slowly, such as porcelain coated steel or glass-ceramic.

Flame Description

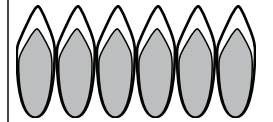
Yellow Flames:

Further Adjustment is required.



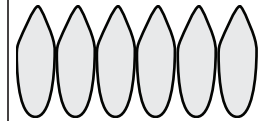
Yellow Tips on Outer Cones:

Normal for LP Gas



Soft Blue Flames:

Normal for Natural Gas



If the flame is completely or mostly yellow, verify that the regulator is set for the correct fuel. After adjustment, retest.

Some orange-colored streaking is normal during the initial start-up. Allow unit to operate 4-5 minutes and re-evaluate before making adjustments.

Figure 16: Flame Characteristics

- The burner flame color should be blue with no yellow on the tips. It is not uncommon to see orange in the flame color; this indicates the burning of airborne impurities in the gas and will disappear with use.
- With propane (LP) gas, slight yellow tips on the primary cone are normal.
- The flame should burn completely around the burner cap. If it doesn't, check that the cap is positioned correctly on the base and that the ports are not blocked.
- The flame should be stable with no excessive noise or fluttering.

Cookware Recommendations

⚠ WARNING

To avoid risk of serious injury, damage to appliance or cookware, please observe the following:

- Bakeware, such as large casserole pans, cookie sheets, etc. should never be used on the cooktop.
- Placement of large stock pots should be staggered when used on the cooktop.

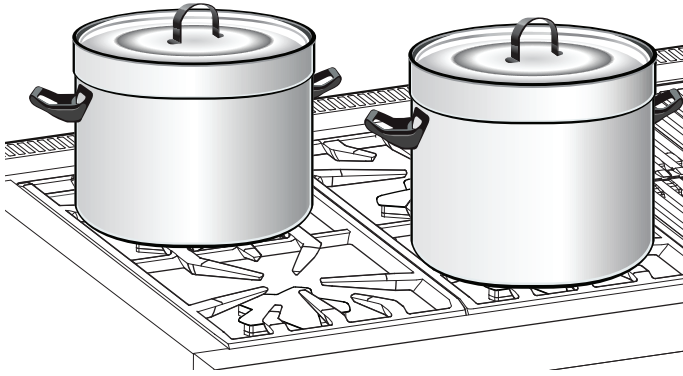


Figure 17: Stagger Pots

- Select the base diameter to match the diameter of the flame. The diameter of the flame should be the same size as the pan base or slightly smaller. Oversize or under size pans sacrifice cooking performance. A 5½" (140 mm) base size is generally the smallest recommended.
- Avoid using high flame setting with a pan larger than the grate or with one that spans more than one burner, such as a griddle, for prolonged periods of time. This can result in poor combustion that generates harmful by-products.
- Balance is important for stability and even cooking. The handle must not be heavier than the pan and tilt it unevenly. A pan must sit level on the grate without rocking or wobbling.



Figure 18: Balanced Pan

- Food packaged in aluminum foil should not be placed directly on the burner grate. Aluminum foil can melt during cooking.
- Do not let plastic, paper or cloth come in contact with a hot burner grate. They may melt or catch fire.
- Never let a pan boil dry. This can damage your pan and the cooking surface.
- Professional quality pans with metal handles are recommended because plastic handles can melt or blister if the flame extends up the side of the pan. Professional quality pans are found at restaurant supply stores and gourmet specialty shops. All cookware should have these characteristics: good heat conductivity, good balance, correctly sized base diameter, a heavy, flat base, and a proper fitting lid.
- For best cooking results, the flame should be contained under the bottom of the pan.
- Aluminum and copper are pan materials that conduct the heat quickly and evenly. These metals are sometimes attached to the base or in the core between stainless steel.
- A heavy, flat base is more apt to remain flat when heated. Pan bases that are warped, dented, ridged or too lightweight will heat unevenly. Heat and cool pans gradually to avoid sudden temperature changes which tend to distort cookware. **DO NOT** add cold water to a hot pan.

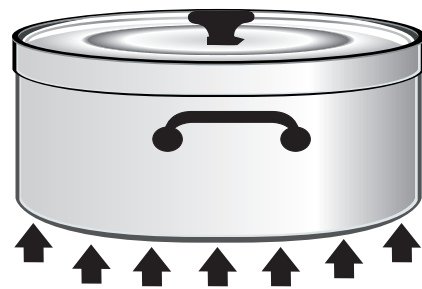


Figure 19: Flat Base Pan

- A properly fitting lid will shorten cooking time and make it possible to use lower heat settings.

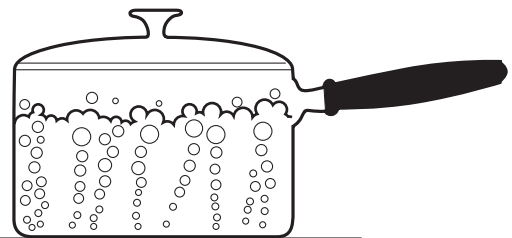


Figure 20: Covered Pan

Specialty Cookware

Woks

- Either flat-based or round-bottom woks with the accessory ring can be used on all models. Round bottom woks must be used with a support ring. The Wok pan and the porcelain-coated cast iron wok support ring must be purchased separately.

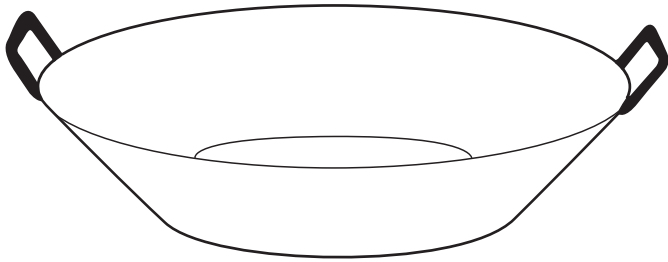


Figure 21: Flat-Bottom Wok Pan

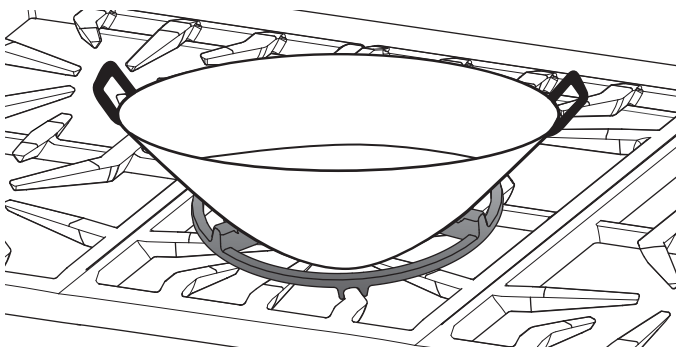


Figure 22: Round-Bottom Wok in Support Ring

Canners and Stock Pots

- Select one with a base diameter that extends no more than 2" (51 mm) beyond the grate.

Standard Size Water Bath Canner

- 21 to 22 quarts (19.95 to 20.9 liters), with an 11" to 12" base (279–305 mm) and a 9" to 11" depth (229–279 mm).

Standard Size Pressure Canner

- 8 to 22 quarts (7.6 to 20.9 liters), with an 8" to 11" base (203–279 mm) and a 6½" to 12" depth (165–305 mm).

Canning Tips

- A flat base pan is preferred to one with a concave, convex or rippled base.
- When using two canners at the same time, use staggered burners. Do not block air to the burners. A flame needs the right amount of air for complete combustion.
- Use a cover on a canner when bringing the contents to a boil.
- Once the contents have reached a boil on HI, use the lowest flame possible to maintain the boil or pressure.
- Canning produces a large amount of steam. Take precautions to prevent burns.

Suggestions For Using the Surface Burner Cooking Recommendations

- Use the chart beginning on *page 20* as a guide. The settings you use will vary depending on the pans selected and the starting temperature of the food.
- On the chart, the "Finish Setting" has been separated for the standard and ExtraLow burners. There may or may not be a change between the two burner settings.
- The ExtraLow® setting can be either a cooking or a holding setting.
- Raise or lower the flame setting gradually. Allow time for the pan and the food to adjust to the new setting.

Surface Burner Cooking Recommendations

FOOD	START SETTING	FINISH SETTING STANDARD BURNERS	FINISH SETTING XLO BURNERS
BEVERAGES Cocoa	MED – heat milk, cover	SIM – finish heating	XLO – keep warm, cover*
BREADS French Toast, Pancakes, Grilled Sandwiches	MED – preheat skillet	SIM to MED – cook	Same as for Standard Burners
BUTTER Melting	SIM – to start melting		Allow 5 – 10 minutes to melt
CEREALS Cornmeal, Grits, Oatmeal	HI – cover, bring water to a boil, add cereal	SIM to MED – finish cooking according to package directions	Same as for Standard Burners XLO – to hold, cover*
CHOCOLATE Melting	XLO – may be stirred to hasten melting		XLO – allow 10 – 15 minutes to melt XLO – to hold*
DESSERTS Candy	SIM to MED – cook following recipe	SIM to MED	Same as for Standard Burners
Pudding and Pie Filling Mix	SIM to MED SIM – cook according to package directions	SIM	Same as for Standard Burners
Pudding	SIM to MED SIM – bring milk to a boil	SIM	Same as for Standard Burners
EGGS Cooked in Shell	MED HI – cover eggs with water, add lid, bring to boil		XLO – cook 3 – 4 minutes for soft cooked; or 15 – 20 minutes for hard cooked
Fried, Scrambled	SIM to MED – melt butter, add eggs	SIM finish cooking	Same as for Standard Burners XLO – to hold for a short period*
Poached	HI – bring water to the boiling point, add eggs	SIM to MED – finish heating	Same as for Standard Burners
MEAT, FISH, POULTRY Bacon, Sausage Patties	MED HI – until meat starts to sizzle	SIM to MED – finish cooking	Same as for Standard Burners
Braising: Swiss Steak, Pot Roast, Stew Meat	MED HI – melt fat, then brown on MED HI , add liquid, cover		XLO – Simmer until tender
Quick Frying: Breakfast Steaks	MED HI – preheat skillet	MED HI – fry quickly	Same as for Standard Burners
Frying: Chicken	MED HI – heat oil, then brown on MED	SIM – cover, finish cooking	Same as for Standard Burners
Deep Frying: Shrimp	MED HI – heat oil	MED to MED HI – to maintain temperature	Same as for Standard Burners

* These foods should be stirred occasionally.

FOOD	START SETTING	FINISH SETTING STANDARD BURNERS	FINISH SETTING XLO BURNERS
Pan Frying: Lamb Chops, Thin Steaks, Hamburgers, Link Sausage	MED HI – preheat skillet	MED – brown meat	Same as for Standard Burners XLO – to hold
Poaching: Chicken, whole or pieces, Fish	MED HI – Cover, bring liquids to a boil		To finish cooking
Simmering: Stewed Chicken, Corned Beef, Tongue, etc.	HI – cover, bring liquid to a boil		XLO – to simmer slowly XLO – to hold, cover
PASTAS Macaroni, Noodles, Spaghetti	HI – bring water to a boil, add pasta	MED HI to HI – to maintain a rolling boil	Same as for Standard Burners
POPCORN (use a heavy, flat bottom pan)	HI – cover, heat until kernels start to pop	MED HI – finish popping	Same as for Standard Burners
PRESSURE COOKER Meat	MED HI to HI – build up pressure	SIM to MED – maintain pressure	Same as for Standard Burners
Vegetables	HI – build up pressure	SIM to MED – maintain pressure	Same as for Standard Burners
RICE	HI – cover, bring water and rice to a boil	SIM – to maintain Low Boil. Cover and cook until water is absorbed	Same as for Standard Burners XLO – to hold, cover
SAUCES Tomato Base	MED HI – cook meat/vegetables, follow recipe	SIM – to maintain simmer	XLO – simmer to thicken sauce, uncovered
White, Cream, Bernaise,	MED – melt fat, follow recipe	SIM – finish cooking	XLO – to hold, cover*
Hollandaise	XLO		XLO – to hold, lowest setting for short period, stir frequently
SOUPS, STOCK	HI – cover, bring liquid to a boil	SIM to maintain simmer	Simmer XLO – to hold, cover*
VEGETABLES Fresh	HI – cover, bring water and vegetables to a boil	SIM to MED – cook 10 minutes, or until tender	Same as for Standard Burners XLO – to hold, cover
Frozen	HI – cover, bring water and vegetables to a boil	SIM to MED – cook according to package directions	Same as for Standard Burners
Deep Frying	HI – heat oil	MED to MED HI – maintain frying temperature	Same as for Standard Burners
In Pouch	HI – bring water and pouch to a boil	SIM to MED – cook according to package directions	Same as for Standard Burners
Saute	HI – heat oil or melt butter, add vegetables	SIM to MED – cook to desired doneness	Same as for Standard Burners
Stir Fry	HI – heat oil, add vegetables	HI to MED HI – finish cooking	Same as for Standard Burners

* These foods should be stirred occasionally.

Using the Electric Griddle (available on some models)

Description

The built-in griddle is made of restaurant-quality aluminum with a non-stick coating. This produces a surface with even heat that is easy to clean.

A maple chopping block, stainless steel cover, and coated-aluminum grill plate are available as accessories and are purchased separately. The maple chopping block and stainless steel cover are sized to fit on top of the surface when the griddle is not being used. The coated-aluminum grill plate accessory is designed to replace the griddle plate. See the instructions that come with the accessory for details.

The maple chopping block and stainless steel cover must be removed before turning the griddle on.

⚠ CAUTION

The griddle element is hot after use. Allow sufficient time for griddle components to cool before cleaning.

⚠ WARNING

To avoid risk of injury, **NEVER** operate griddle without the griddle plate installed. **NEVER** use griddle in a manner that is not prescribed by the Use and Care Guide.

The griddle plate (or grill plate accessory) must always be in place when the griddle is turned on.

The griddle is electronically controlled with temperatures marked on the knob from 150 – 500°F (66 – 260°C).

There are no fixed settings on the knob.

Preparing the Griddle

1. The griddle plate should be washed with warm soapy water then rinsed with clear water prior to use.
2. Check the griddle plate adjustment by pouring two tablespoons of water on the back of the griddle plate.
 - The water should slowly roll into the grease tray.

3. Move the griddle plate to the side (*Figure 23*).

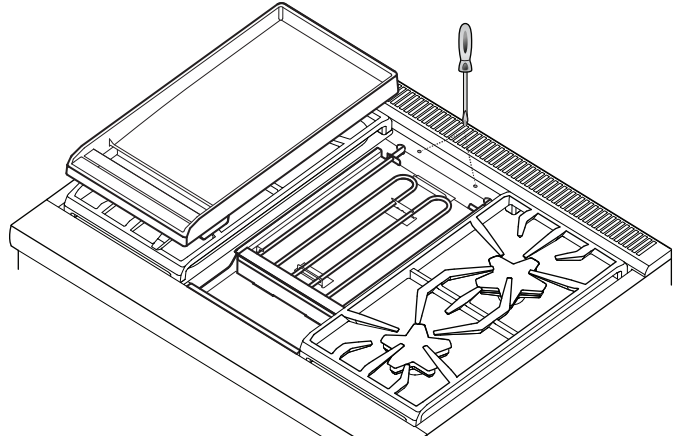


Figure 23: Griddle Plate Leveling Screws

4. Adjust the two screws under the back of the plate. Start with one half turn counterclockwise of the screws (*Figure 23*).
5. Further adjustment should be made by one-quarter turn until water slowly flows into the grease tray.

The griddle may be used without any butter, margarine or oil. However, a very small amount may be used to flavor foods.

DO NOT use metal utensils on the griddle surface. Care should be taken that the surface is not gouged when utensils are used. **DO NOT** cut directly on the griddle plate.

NOTICE: Performance may vary if there is an excessive amount of airflow in the vicinity of the appliance. The excessive airflow could be from an air-conditioning register or ceiling fan blowing at the cooktop. This could create longer than normal heat-up time, or it could cause the temperature to be higher or lower than the knob setting.

NOTE: Having a properly installed ventilation hood is not considered a source of excessive airflow.

Cooking on the Griddle

1. Turn the knob to the appropriate cooking temperature to preheat the griddle.
2. Preheat until the griddle light goes off.
3. Add butter, margarine, oil or shortening if desired.

DO NOT heat cookware on the griddle surface.

Griddle Cooking Recommendations

FOOD *	SETTING
Eggs	325°F – 350°F
Bacon, Breakfast Sausage	450°F – 475°F
Toasted Sandwiches	375°F – 400°F
Boneless Chicken Breasts	425°F – 450°F
Boneless Pork Chops, 1" (25.4 mm) thick	425°F – 450°F
Steaks, 1" (25.4 mm) thick	450°F – 475°F
Ground Beef Patties, 6 ounces	450°F – 475°F
Ground Turkey Patties, 6 ounces	450°F – 475°F
Hot Dogs	350°F – 375°F
Ham Slices, ½" (12.7 mm) thick	350°F – 375°F
Pancakes, French Toast	400°F – 425°F
Potatoes, Hash Browns	400°F – 425°F

* Level foods to a uniform thickness to ensure even cooking.

Use the lowest cooking temperature possible. Recipes may need to be modified as the non-stick coating browns and sears at lower temperatures.

Griddle Grease Tray

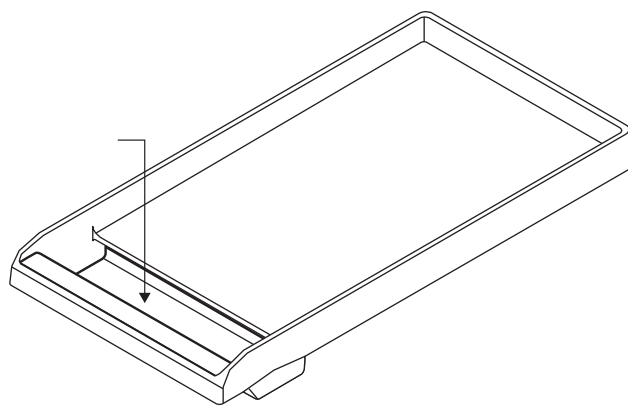


Figure 24: Grease Tray

- Clean the tray after every use. When removing the tray, use care when tipping it so that the contents do not spill.
- The griddle plate and its grease tray are dishwasher safe.
- After cooling, pour the grease into a grease-resistant container for disposal.

Care and Cleaning the Griddle Plate

- **NEVER** flood a hot griddle plate with cold water. This can damage the griddle plate.
- **DO NOT** clean the griddle plate in a self-cleaning oven.
- Care should be taken to avoid scratching or gouging the surface.
 - **DO NOT** cut food directly on the griddle plate.
 - **DO NOT** use metal utensils.
 - Use plastic or wood utensils to avoid scratching the non-stick surface.
- The griddle plate is dishwasher safe, however, hand washing the griddle plate is recommended.

Instructions for Seasoning the Griddle Plate

If the griddle plate seems to lose its non-stick abilities over time, the following instructions should help regain the griddle's non-stick properties. For optimal performance and long life of your griddle plate, follow these simple cleaning and seasoning instructions.

Prepping the Griddle for Seasoning

The griddle plate must be clean and all residue removed before the griddle plate is seasoned.

1. Use a mixture of coarse salt and a small amount of white vinegar to buff off any residue from the griddle plate.

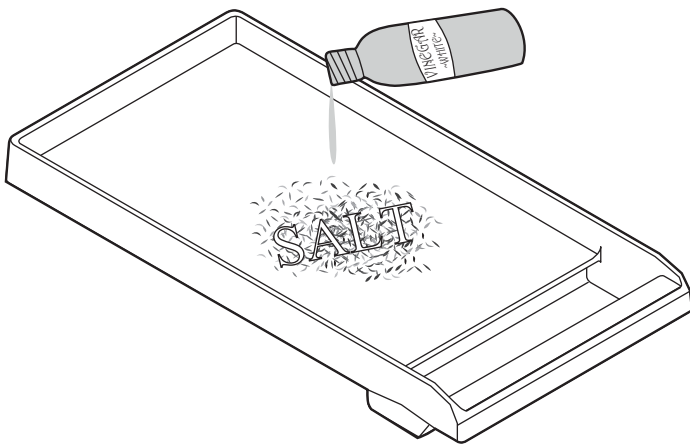


Figure 25: Griddle Preparation

2. Rinse well with clean water.
3. Dry the griddle plate thoroughly.

Griddle Seasoning

Seasoning is a process by which a layer of animal fat or vegetable oil is applied and baked into the cookware. The seasoning layer provides a non-stick surface for cooking.

1. Use a paper towel to apply a thin, even coating of lard, Crisco[®], or olive oil to the griddle surface.

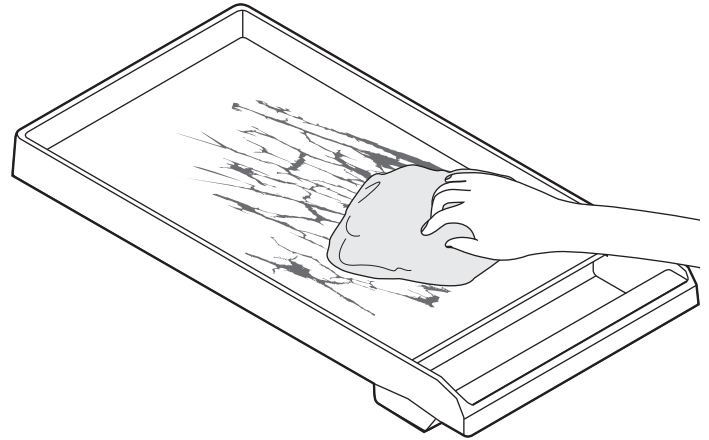


Figure 26: Griddle Seasoning

2. Bake the griddle plate in a 350°F oven for 1 hour.
3. Remove the griddle plate from the oven and allow to cool to room temperature.
4. Apply a second layer of fat or oil and bake at 350°F for 1 hour.
5. Repeat process at least one additional time – making 3 coats of oil or fat.

After Seasoning

1. After cooking on your seasoned griddle, allow to cool and wipe clean with a damp cloth. Allow to dry.
2. Add a thin coating of oil or fat before storing your griddle in a cool, dry place.
3. Repeating this process will season the griddle and maintain non-stick properties. Performance will improve over time with more seasoning.
4. To strip the griddle to re-season, a mixture of salt and vinegar should be used to remove any oil layers from the previous seasoning process.

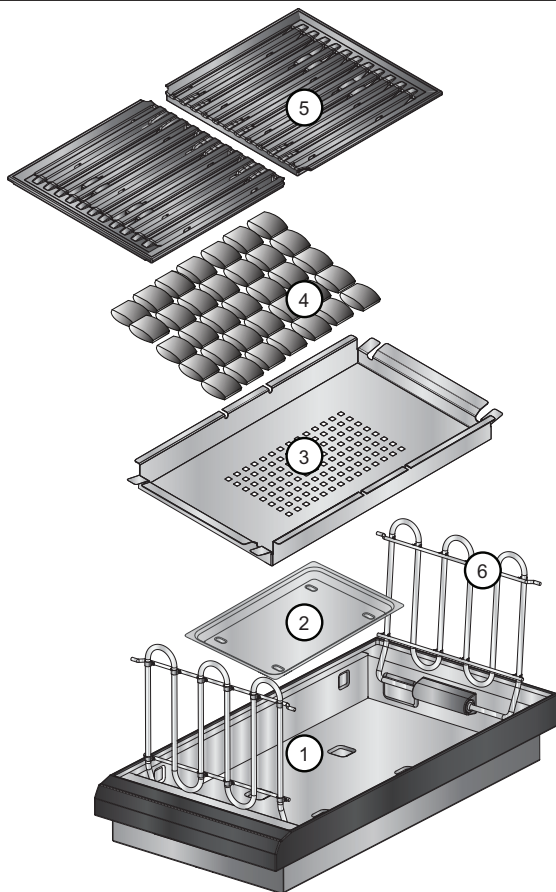
Using the Electric Grill (available on some models)

Description

The built-in grill is made of restaurant-quality cast iron grates. This produces a surface with even heat that is easy to clean.

A non-stick cast iron griddle plate (*PAGRIDDLEN*) is available as an accessory and may be purchased separately. See the instructions that come with the griddle plate accessory for more details.

Assembling the Grill



1. Grill Housing
2. Drip Tray
3. Briquette Basket
4. Ceramic Briquettes
5. Grill Grate (x2)
6. Heating Element (x2)

1. Rotate heating elements (6) up and remove the briquette basket (3) stored inside the grill housing (1).
2. Place the drip tray (2) in the bottom of the grill housing (1). (Drip tray is packaged in the large cardboard box that was on top of the range.) Align the embosses of the drip tray (2) with the depressions on the bottom of the grill housing (1).
3. Place the briquette basket (3) in the grill housing (1).
4. Arrange the ceramic briquettes (4) on the briquette basket (3), in a single layer, with each briquette touching the edges of the surrounding briquettes. The ceramic briquettes should not contact the heating elements.
5. Fold both grill heating elements (6) down. The grill heating elements must lie flat. Supports should rest inside of side notches.
6. Install the grill grates (5). Ensure grates are seated level inside the grill housing (1).
 - The grill grates should be washed with warm soapy water then rinsed with clear water prior to use.

Operating the Grill

▲ WARNING

- To avoid risk of injury, **NEVER** operate grill without the grates or griddle plate accessory installed.
- **NEVER** leave grill unattended while cooking.
- Observe caution with oils and fats. Overheated oils and fats can easily cause fires.
- **DO NOT** use wood chips, lava rocks, or charcoal briquettes. Only use recommended ceramic briquettes (*PABRICKBKN*).
- **DO NOT** use dishes, pans, pots, or other cookware on the grill.
- **Never use aluminum foil to cover the grates or to line the grill.** It can damage the grill and cause a fire hazard if heat is trapped under it.
- Check grease tray before each use. Too much grease in the tray may cause a fire hazard.
- If flames appear, grease should be cleaned from grates, grease tray, briquette basket and other surfaces.
- Grease build up encourages flame and smoke development while cooking.
- Ceramic briquettes must be replaced when they begin to turn black. This means that they are saturated with fat and may smoke heavily during operation or the fat may catch fire.

Figure 27: Grill Assembly

IMPORTANT:

- If flames appear while grilling, turn off heat and remove the food. Use caution to avoid any potential injury while removing food.
- Often, such flames will extinguish themselves within a few minutes once grease drippings have burned up. **DO NOT** leave the grill unattended until all flames are extinguished. If desired, flames can be extinguished by generously shaking baking soda or salt over them to smother fire.
- If flames appear, ceramic briquettes should be replaced and grease should be cleaned from grates, grease tray, briquette basket, and other surfaces before using the grill again. Built up grease which is allowed to remain encourages flame and smoke development while cooking.
- Moist food should be dried, before placing on grill.
- Marinated food may cause more smoke to be produced!
- During grilling, dripping fat may flare up briefly.

⚠ WARNING

TO AVOID RISK OF BURNS:

- Use proper utensils with long handles that allow the chef plenty of clearance from the heat and potential flare ups.
- **DO NOT** wear loose clothing while cooking.
- Never leave grill unattended while cooking.
- After each use, remove grease buildup from the grill surfaces and the trays below the grill to avoid risk of fire. Ventilation hoods should also be cleaned periodically as needed and as recommended by the User Manual as well as surrounding surfaces.
- Keep a fire extinguisher nearby and accessible.

Operation

1. Before turning on, make sure that there are ceramic briquettes in the appliance and both grill grates are correctly fitted. Turn on ventilation hood.

2. Press and turn the knob to the desired temperature setting.
 - The grill is electronically controlled with power settings LOW through HIGH. There are no fixed settings on the knobs.
 - The two grill heating elements can be regulated separately. This allows you to grill food with different temperature requirements at the same time, or you can use one area to grill and the other to keep warm.
3. During the initial use, heat the grill for about 10 minutes to eliminate manufacturing residues and smells.
4. For best results, allow the grill grates to preheat before placing food on them.

⚠ CAUTION

Clean the grill after each use. Allow the appliance to cool before cleaning.

Grilling Tips

- The grill should be preheated a minimum of 10 minutes before cooking. Depending on browning preference and the types of food being prepared, as much as 15 minutes of pre-heat time may be required.
- Soak wooden skewers in water a minimum 20 minutes before placing on the grill.
- Prior to grilling, you can coat the food with heat-resistant oil (e.g. peanut oil) or marinate it. Make sure not to use too much oil/marinade, as otherwise it may catch fire and generate thick smoke.
- Lay the food directly on the grill grates. **DO NOT** use aluminum foil or grill trays.
- Cured meat, such as ham or smoked pork chops, is not suitable for grilling. Unhealthy chemical compounds may form.
- To prevent flare-ups, remove excess fat from foods prior to grilling.
- **DO NOT** use cleaners on elements. Allow grease to burn off the elements.
- To soak up fat on the grill plate, sprinkle coarse salt onto the grilling surface after use.

Grill Cooking Recommendations

IMPORTANT:

- **GRILL SHOULD NOT BE OPERATED WITHOUT PROPER VENTILATION.**
- **Foods with excessive fat or grease should not be prepared on an indoor grill. Grilling foods with high fat content (certain types of ground beef, sausage, etc) increases the chances of smoke and flames.**

FOOD*	SETTING**	COOK TIME (MINUTES)	NOTES
BEEF			
Hamburgers, ¾" (2 cm) (medium)	HIGH	12 – 14	Ready to turn once juices appear on the surface.
T-Bone Steak, 1½" (4 cm) (medium)	HIGH	20 – 22	Remove excess fat.
Ribeye or Sirloin, 1" (3 cm) (medium)	HIGH	10 – 12	Remove excess fat.
Kebabs, Steak (medium)	HIGH	24 – 28	Turn occasionally.
PORK			
Pork chops, ¾" (2 cm)	HIGH	16 – 20	Remove excess fat.
Sausages or Bratwurst	MED HIGH	16 – 20	Pierce before grilling.
Hot Dogs	HIGH	6 – 8	Place on grill horizontally.
POULTRY			
Legs and thighs	MED HIGH	34 – 38	Turn occasionally, remove excess skin.
Chicken wings, whole	MED HIGH	18 – 22	Turn occasionally.
Chicken breasts, ½" (1 cm), boneless	MED HIGH	20 – 24	Pound to an even thickness before cooking.
Kebabs, chicken	HIGH	30 – 33	Turn occasionally.
SEAFOOD			
Fish steak, 2" (6 cm)	MED HIGH	18 – 20	Brush with oil before grilling.
Fish fillet, ¾" (2 cm)	MED HIGH	16 – 20	Brush with oil before grilling.
Shrimp skewers	MED HIGH	10 – 14	Turn occasionally.
PRODUCE			
Portobello mushrooms	HIGH	8 – 10	Brush with oil.
Bell peppers, quartered	HIGH	8 – 10	Turn occasionally.
Eggplant, sliced, ½" (1 cm)	HIGH	8 – 10	Brush lightly with oil.
Tomatoes, halves	HIGH	8 – 10	Brush with oil.
Pineapple, sliced	HIGH	4 – 6	—
Peaches, halves	HIGH	4 – 6	—
OTHER			
Hamburger or hot dog buns	MED HIGH	4 – 6	Brush with butter.
Tofu, extra firm, sliced	MED HIGH	8 – 12	Skewer for easier grilling.

* Level foods to a uniform thickness to ensure even cooking.

** The values in the settings table should only be regarded as guidelines, since more or less heat may be required depending on the type and condition of the food.

Using the Oven

Oven Operation

Bake Rack Positions

Rack level positions in the oven are numbered like an elevator. Number one level is the lowest and number five level is at the top.

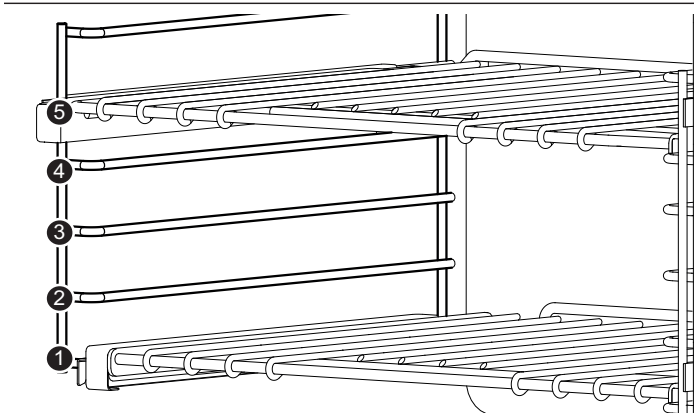


Figure 28: Oven Rack Positions

NOTE: Rack positions are general recommendations for baking; however, if a recipe calls for a different rack position than those given, then the recipe or package directions should be followed.

Secondary Oven (48" Models)

Level	BAKE Mode
#3	-- Best used for most baked items.
#2	-- When additional height is needed. -- Pies are best baked on rack level #2 to make certain the bottom of the crust is done without over-browning the top.

Main Oven One Rack Baking

Level	BAKE Mode
#3	-- Best used for most baked items.
#2	-- If the item is tall, such as an angel food cake. -- Pies are best baked on rack level #2 to make certain the bottom of the crust is done without over-browning the top. -- When large pieces of meat or poultry are roasted, such as a prime rib of beef or a turkey.

Main Oven Two Rack Baking

Levels	BAKE or CONVEC BAKE Mode
#2 & #4 Dual Fuel #3 & #5 Gas	-- Casserole dishes

Main Oven Three Rack Baking

If three-rack baking is desired, the Convection Bake mode is best.

Getting the Best Results

- Minimize opening the oven door(s).
- Use the rack position recommended by the recipe.
- Use the bakeware recommended in the recipe.
- Store the broiler pan(s) outside the oven. An extra pan without food, affects the browning and cooking.
- The type of pan used affects the browning:
 - For tender, golden brown crusts, use light non-stick/anodized or shiny metal pans.
 - For brown crisp crusts, use dark non-stick/anodized or dark, dull metal pans or glass bakeware. These may require lowering the bake temperature 25°F (14°C).

Preheating the Oven

- Most cooking times in recipes are designed for a preheated oven and require that the oven already be at a certain temperature before cooking starts. Refer to your recipe for preheating recommendations.
- Preheating time depends on the temperature setting and the number of racks in the oven.

Bakeware Type

- Metal bakeware (with or without a non-stick finish), heat-proof glass, glass-ceramic, pottery, or other utensils are suitable for the oven.
- Suitable cookie sheets have a small lip on one side. Heavy sheets or those with more than one side may affect the baking time.

Pan Placement

- Allow at least 1" (25.4 mm) of space between the pans and the oven walls so heat can circulate around each pan.

- Stagger bakeware so that one is not directly above another. Allow 1½" (38 mm) above and below each pan.

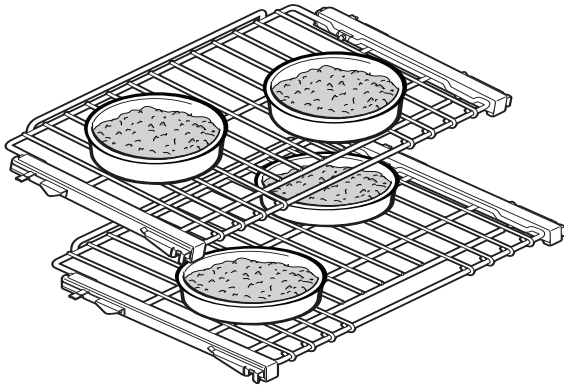


Figure 29: Dual Fuel Pan Placement

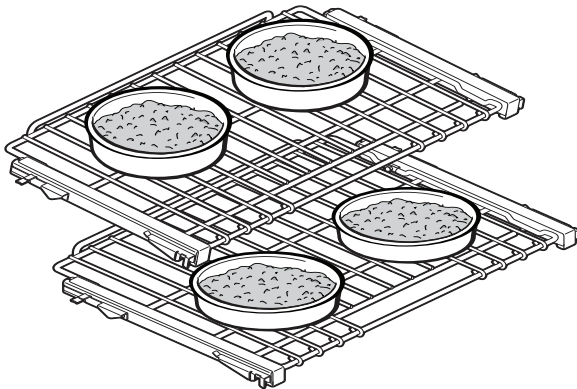


Figure 30: Gas Pan Placement

Bake and Convection Bake

Set Bake or Convection Bake

- Select **BAKE** mode or **CONV BAKE** mode using the Mode Selector Knob.

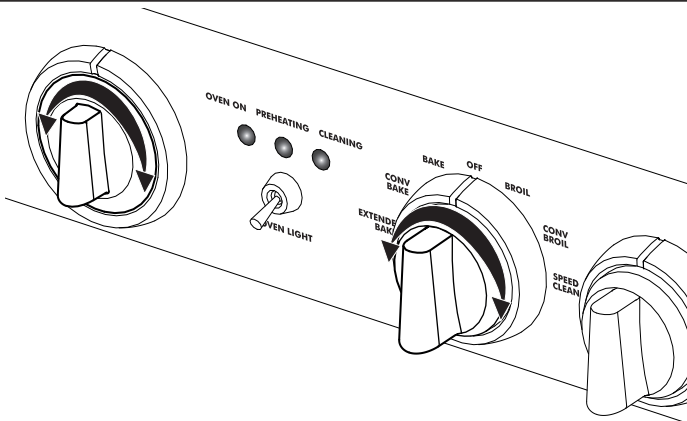


Figure 31: Oven Controls (appearance will vary)

- Set oven temperature using the Temperature Selector Knob.

- The **OVEN ON** and **PREHEATING** lights turn on.

OVEN ON **PREHEATING** **CLEANING**



- The oven is preheated to the set temperature when the **PREHEATING** light cycles off the first time.

OVEN ON **PREHEATING** **CLEANING**



- The **OVEN ON** light stays on during any active cooking mode, and remains on until either of the oven knobs is turned to the **OFF** position.

NOTE: The interior oven light is operated by a separate switch that turns the light on and off, independent of any control setting.

Extended Bake

This unique cooking mode is for assisting the user for compliance to Sabbath principles.

- Select **EXTENDED BAKE** mode using the Mode Selector Knob.
- Set oven temperature using the Temperature Selector Knob.
 - PREHEATING PHASE** is the same as for other **BAKE** modes. Once the oven is preheated to the selected temperature, the twenty-two (22) minute Extended Bake cycle begins.
 - ACTIVE PHASE** baking is as usual for nineteen (19) minutes, except during the last two (2) minutes, the **OVEN ON** and **PREHEATING** lights blink slowly (on 3 sec. / off 3 sec. together) to serve as a **NOTICE** for the final phase.

OVEN ON **PREHEATING** **CLEANING**



- ACCESS PHASE (oven idle):** Once the two lights stop blinking (both remaining on), the final three (3) minutes allows the Sabbath user access to the oven without effecting a change in the operation of the range. Heating elements remain off during this phase.

Automatic operation of the cooling blowers

The cooling blowers activate after the oven reaches 300°F (149°C). When the oven is turned off, the blowers remain on until the oven temperature cools below 250°F (121°C).

DO NOT continue to use the ovens if the cooling blower fails to activate while baking. Call a qualified service agency to repair the range.

NOTE: It is normal for the cooling process to push heated air out into the room when the oven is on.

Set the Secondary Oven (48" models only)

1. Select mode using the Mode Selector Knob.
2. Set oven temperature using the Temperature Selector Knob.
 - The **OVEN ON** and **PREHEATING** lights turn on.

OVEN ON PREHEATING



- The oven is preheated to the set temperature when the **PREHEATING** light cycles off the first time.

OVEN ON PREHEATING



- The **OVEN ON** light stays on during any active cooking mode, and remains on until either of the oven knobs is turned to the **OFF** position.

Baking Recommendations

FOOD	CONTROL SETTING	RACK LEVEL
Cookies	375°F (190°C)	3
Layer Cakes	350°F (180°C)	3
Sheet Cakes	350°F (180°C)	3
Bundt™ Cakes	325°F (165°C)	3
Brownies	325°F (165°C)	3
Biscuits	425°F (220°C) or Package Direction	3
Quick Bread	350°F (180°C)	3
Muffins	425°F (220°C)	3
Fruit Pies	425°F (220°C)	2
Fruit Cobblers	400°F (205°C)	3
Yeast Bread, Loaves	350°F (180°C)	3
Dinner Rolls	375°F (190°C)	3
Cinnamon Rolls	375°F (190°C)	3
Yeast Coffee Cake	375°F (190°C)	3

NOTE: Rack positions are general recommendations for baking; however, if a recipe calls for a different rack position than those given, then the recipe or package directions should be followed.

⚠ WARNING

FOOD SAFETY — The United States Department of Agriculture advises: **DO NOT** hold foods at temperatures between 40°F – 140°F (4°C – 60°C) for more than 2 hours. Cooking raw foods below 275°F (135°C) is not recommended.

Convection

Cooking with Convection

There are many advantages to cooking with convection. In the convection system, a fan in the back of the oven moves heated air evenly around the oven. The moving air provides even heat so foods can be placed on any rack level with consistent results. Multiple racks of foods can be cooked or large quantities of foods can be cooked at the same time. Foods will cook thoroughly without having to rotate pans.

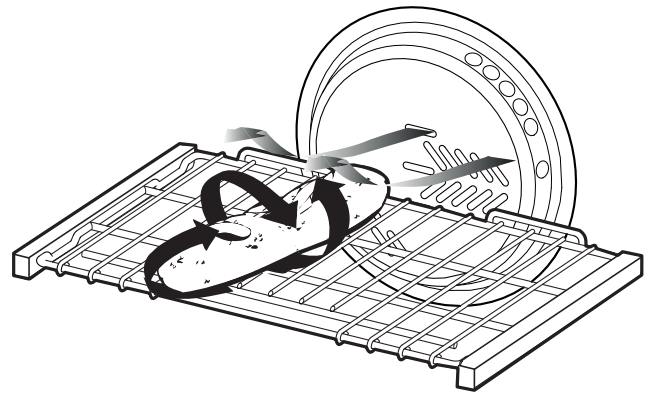


Figure 32: Convection Fan

Low, shallow bakeware should be used with convection cooking. This allows the heated air to circulate around the food. Pans with high sides or pans that are covered are not suitable for convection cooking because high sides or lids prohibit the warm air from circulating around the food.

Your favorite pans and cookware can be used for convection cooking provided they have low sides to allow the heated air to circulate around the food. Any food cooked uncovered will brown evenly and form a nice crust. Foods in covered dishes (casseroles, pot roast) or delicate custards do not benefit from convection cooking.

Convection Baking

Time can be saved by baking an entire batch of cookies at the same time. The cookies will bake evenly and be done all at once. The baking time may be shorter due to the warm circulating air. For small items such as cookies, check to see if they are done one to two minutes before the recipe time. For larger baked items such as cakes, check five to six minutes before the time indicated on the recipe.

Convection cooking of meat and poultry will result in foods that are brown and crispy on the outside and moist and juicy on the inside. Large meat or poultry items may cook up to 30 minutes less than the suggested time so check them so they will not be over baked. A meat thermometer or an instant read thermometer will provide more accurate results than the “minute per pound” method. The larger the piece of meat or poultry, the more time you will save.

Converting Conventional Baking to Convection Baking

To convert most recipes for baked items (cookies, cakes, pies, etc.); reduce the oven temperature by 25°F (14°C). For meats and poultry, the temperature should not be reduced. The same temperature recommended in recipes and cooking charts for meats and poultry should be used.

Tips for Convection Bake

Preheating the Oven

Preheat the oven before cooking any foods, except large pieces of meat or poultry. See your recipe for preheating recommendation. Preheating time depends on the temperature setting and the number of racks in the oven.

Temperature Setting

When using Convection Bake, reduce the temperature recommended in the recipe by 25°F (14°C), although the temperature does not need to be reduced when cooking meats and poultry. When roasting meats, check internal temperature prior to time recommended by recipe to prevent over cooking.

High Altitude Baking

When baking at high altitudes, in either Bake or Convection Bake, recipes and baking times vary. For accurate information, write the Extension Service, Colorado State University, Fort Collins, Colorado 80521. There may be a cost for the bulletins. Specify the type of information you want (example: cakes, cookies, breads, etc.).

Condensation

It is normal for a certain amount of moisture to evaporate from the food during any cooking process. The amount depends on the moisture content of the food. The moisture will condense on any surface cooler than the inside of the oven, such as the control panel.

Convection Bake Rack Positions

See *Figure 28 on Page 28* for rack positions.

One Rack Convection Baking

Level	CONVEC BAKE Mode
#3	-- When baking on one rack, best results are obtained in the BAKE mode (see “One Rack Baking”).
#2	-- Roasting a turkey or a large piece of meat.

Two Rack Convection Baking

Levels	CONVEC BAKE Mode
#3 & #5 Dual Fuel	-- Use for cakes, cookies, biscuits, and other baked goods. Cake pans should be staggered. Cookie sheets should be placed on rack #3 directly under the one on rack #5.
#2 & #4 Gas	-- To bake several casseroles, frozen pies, or cakes. -- These two racks can also be used for a large oven meal.

Three Rack Convection Baking

Levels	CONVEC BAKE Mode
#1, #3, & #5 Dual Fuel	-- When several sheets of cookies are to be baked. Place the baking sheets directly above each other on the respective racks to allow air to flow around the baking sheets.
Gas See note	-- Gas range rack levels for: Cookies: #2, #3, & #4 Other foods: #1, #3, & #5

Bakeware Type

- Aluminum bakeware gives the best browning results.
- Cookie sheets with only one or two sides give the best results. Aluminum commercial half-sheets or professional cooking utensils may be used but baking times may be increased.

Pan Placement

- For better browning, utensils such as cookie sheets, jelly roll pans and rectangular baking pans should be placed crosswise on the rack with the shorter sides on the right and the left. This allows the air to circulate freely.
- When baking on more than one rack, cookie sheets should not be staggered; round cake pans should be staggered.

Dehydrating Foods with Convection Bake

Use the Convection Bake to dry and preserve fruits and vegetables.

Tips:

- Drying times vary depending on the moisture and sugar content of the food, the size of the pieces, the amount being dried and the humidity in the air.
- Dry most fruits and vegetables at 150°F (66°C).
- Check food at the minimum drying time.
- It is best to use drying racks (not included) so that air can flow around the food. Do not place food directly on a baking sheet or pan. Food needs to be elevated to ensure even drying.
- Multiple drying racks can be used simultaneously.
- Racks #2 and #4 or #1, #3 and #5 can be used for multiple rack dehydrating. Use rack #3 if only dehydrating one rack.
- Dehydrating meat is not recommended due to food safety concerns.
- Consult a food preservation book, county Cooperative Extension Office or library for additional information.

FOOD	PREPARATION	APPROX. TIME (HRS)	DONENESS TEST
FRUIT			
Apples	Dipped in ¼ cup lemon juice and 2 cups water, ¼" slices	8 – 15	Slightly pliable
Bananas	Dipped in ¼ cup lemon juice and 2 cups water, ¼" slices	8 – 15	Slightly pliable
Cherries	Wash and towel dry. For fresh cherries, remove pits	7 – 18	Pliable leathery, chewy
Orange peels	Orange part of skin thinly peeled from oranges.	1 – 4	Dry and brittle
Orange slices	¼" slices of orange	9 – 16	Skins are dry and brittle, fruit is slightly moist
Pineapple rings, canned	Towel dried	8 – 13	Soft and pliable
Pineapple rings, fresh	Towel dried	7 – 12	Soft and pliable
Strawberries	Wash and towel dry. Sliced ½" thick, skin down on rack	9 – 17	Dry and brittle
VEGETABLES			
Peppers	Wash and towel dry. Remove membrane of peppers, 1" coarsely chopped pieces	13 – 17	Leathery with no moisture inside
Mushrooms	Wash and towel dry. Cut thin slices, ⅛" thick	5 – 12	Tough and leathery, dry
Tomatoes	Wash and towel dry. Cut thin slices, ⅛" thick, drain well	5 – 12	Dry, brick red color

WARM (secondary oven, only on Dual Fuel 48" models)

This feature maintains the warm environment needed for keeping cooked foods hot.

To Set the Secondary Oven to WARM

1. To preheat the oven turn the Mode Selector Knob to **WARM** about 10 minutes before use. **DO NOT** rotate the Temperature Selector Knob to any setting (leave in **OFF** position).
2. **Place the hot food** in the secondary oven then close the door. The ideal temperature for keeping the food warm will be maintained until the Selector Switch is turned off.
3. **Do not open the oven door unnecessarily.** Opening the door will reduce the temperature of the oven.

MINIMUM INTERNAL COOKING TEMPERATURES

The minimum internal temperatures that foods must reach to be considered safe to eat, as determined by the *U. S Department of Agriculture Food Safety and Inspection Service*, are as follows:

Fresh ground beef, veal, lamb, pork	160°F (72°C)
Beef, veal, lamb roasts, steaks, chops	
Medium rare	145°F (63°C)
Medium	160°F (71°C)
Well done	170°F (77°C)
Fresh pork roasts, steaks, chops	
Medium	160°F (72°C)
Well done	170°F (77°C)
Ham	
Cook before eating	160°F (72°C)
Fully cooked, to reheat	140°F (60°C)
Poultry	
Ground chicken, turkey	165°F (74°C)
Whole chicken, turkey	180°F (82°C)
Breasts, roasts	170°F (77°C)
Thighs and wings	180°F (82°C)
Stuffing (cooked alone or in bird)	165°F (74°C)
Egg dishes, casseroles	160°F (72°C)
Leftovers	165°F (74°C)

* Level foods to a uniform thickness to ensure even cooking.

⚠ CAUTION

Food Safety Concern Food Poisoning Possible

DO NOT use the WARM mode for cooking food. The WARM mode is not hot enough to cook foods at safe temperatures.

PROOF (secondary oven, only on Dual Fuel 48" models)

The proof feature maintains the warm, non-drafty environment needed for proofing yeast leavened products.

It is best to start with a cool oven when using the proofing function.

To Set the Secondary Oven for Proofing

1. Allow dough to thaw if frozen.
2. Place dough in dish and loosely cover.
3. Use any rack level that accommodates the size of the bowl or pan. Close the door.
4. Select **PROOF** using Selector Knob. **DO NOT** turn on Oven Temperature Control Knob.

SIZE	TIME
Loaf, 1 lb (0.45 kg)	60 – 75 minutes
Rolls, 0.1 lb (0.05 kg)	30 – 45 minutes

The ideal temperature for proofing will be maintained until the Mode Selector Knob is turned off.

Dough has “proofed” when it has doubled in size.

Do not open the oven door unnecessarily. Opening the door will lower the temperature of the air in the oven and lengthen the proofing time. Use the oven light to check the rising of the dough.

Proofing time may be decreased when using the large oven at the same time you are proofing. Check bread product early to avoid over-proofing. If you are using the large oven for extended periods of time we recommend, for optimum results, that you complete the proofing before using the large oven.

Other Uses of Bake

Low Temperature Uses of the Oven

In addition to providing perfect temperatures for baking and roasting, the oven can be used at low temperatures to keep hot, cooked foods at serving temperature and to warm plates.

For best results, preheat the oven to the desired temperature.

Hot cooked foods can be kept at serving temperatures. Set the oven to bake and use the temperature suggested on the chart.

Suggested Temperature Recommendations to Keep Food Hot

FOOD	OVEN TEMPERATURE
Beef	150°F (70°C)
Bacon	225°F (110°C)
Biscuits and Muffins (covered)	200°F (90°C)
Casserole (covered)	200°F (90°C)
Fish and Seafood	200°F (90°C)
Deep Fried Foods	225°F (110°C)
Gravy or Cream Sauces (covered)	175°F (80°C)
Lamb and Veal Roasts	200°F (90°C)
Pancakes and Waffles (covered)	225°F (110°C)
Potatoes Baked	200°F (90°C)
Mashed (covered)	175°F (80°C)
Pies and Pastries	175°F (80°C)
Pizza (covered)	225°F (110°C)
Pork	200°F (90°C)
Poultry (covered)	200°F (90°C)
Vegetables (covered)	175°F (80°C)

BROIL on all models and CONV BROIL on Dual Fuel models

Rack Positions

Before turning on the oven, place the rack in the desired position. After preheating the broiler, center the broil pan under the broil element.

Dual Fuel Main Oven

Level	Dual Fuel BROIL Mode
#5	-- Broiling beef steaks, ground meat patties, ham steak and lamb chops 1" (25.4 mm) or less in thickness. Also use when top browning foods.
#4	-- Broiling meat 1 1/8" (29 mm) or more in thickness or fish, poultry, pork chops and ham steaks 1" (25.4 mm) or more in thickness.
#3	-- Broiling chicken quarters or halves.

Gas Main Oven

Level	Gas BROIL Mode
#4	-- Broiling beef steaks, ground meat patties, ham steak and lamb chops 1" (25.4 mm) or less in thickness.
#3	-- Broiling meat 1 1/8" (29 mm) or more in thickness or fish, poultry, pork chops and ham steaks 1" (25.4 mm) or more in thickness. Use this rack when broiling chicken quarters or halves. Also use when top browning foods.

Secondary Oven (48" models only)

Levels	Secondary BROIL Mode
#3, #4, or #5 – Dual Fuel #1, #3, or #4 – Gas	-- Depending upon the type and thickness of the food.
#5 – Dual Fuel #3 – Gas	-- Top browning of foods.

Getting the Best Results

- Defrost food before broiling.
- Door is to be closed during broiling.
- Steaks should be more than 1" (25.4 mm) thick if rare meat is desired. Use convection broil if steaks are over 1½" (38 mm) thick.
- Turn foods over only once, after half the total cooking time. It is not necessary to turn very thin foods (ham slices, fillets of fish, etc.). Liver slices must be turned over regardless of thickness.
- Center foods directly under the broiling element for best browning.

Preheating the Broiler

- It is recommended that you preheat the broil element before starting to cook. Preheat for 3 minutes then place food in oven.

Utensils

- The porcelain enamel two-piece broil pan and grid is included with the range. **DO NOT** cover the slotted grid (top) with aluminum foil.
- Use metal or glass-ceramic bakeware when top browning casseroles, main dishes, or bread.
- **DO NOT** use heat-proof glass or pottery. This type of glassware cannot withstand the intense heat of the broil element.
- The small porcelain broiler pan is designed to be used in the Secondary Oven of 48" models.

NOTE: It is not possible to use the BAKE mode and BROIL mode simultaneously. When one mode is on, the other mode cannot be turned on.

Setting Broil or Convection Broil

Only the upper element heats in the BROIL mode. Successful broiling requires constant exposure to high, intense heat.

1. Place oven rack in desired position.
2. Set Mode Selector Knob to BROIL or CONV BROIL.
3. Set Temperature Selector Knob to BROIL setting.
4. Place food in oven at desired rack position.
 - The door should be closed throughout the broil cycle.
 - Your THERMADOR PROFESSIONAL range comes with a large two-piece broiler pan. The slotted grid allows drippings to flow into the lower pan, away from the intense heat of the broil element, minimizing spattering, smoking, and the chance of a grease fire.
 - The 48" Models have a small porcelain broiler pan, for use in the Secondary Oven.

Automatic operation of the cooling blowers

The cooling blowers activate after the oven reaches 300°F (149°C). When the oven is turned off, the blowers remain on until the oven temperature cools below 250°F (121°C).

DO NOT continue to use the broiler if the cooling blower fails to activate while broiling. Call a qualified service agency to repair the range.

Broiling Recommendations

All meats are placed on the broiler pan included with the range.

FOOD ITEM	RACK NUMBER	OVEN MODE
BEEF Ground Beef Patties, 1/2" (12.7 mm) thick	#5 – Dual Fuel #4 – Gas	BROIL or CONV BROIL *
T-Bone Steak	#4	BROIL or CONV BROIL
Flank Steak	#4	BROIL or CONV BROIL *
Rib Roast	#3	BAKE or CONV BAKE
BREADS Toast, Garlic Bread, etc.	#4 – Dual Fuel #3 – Gas	BROIL
PORK Loin Roast	#3	BAKE or CONV BAKE
POULTRY Boneless, Skinless Chicken Breasts	#4	BROIL or CONV BROIL *
Chicken Thighs	#3	BROIL or CONV BROIL *
Half Chickens	#3	BROIL or CONV BROIL *
Roast Chicken	#2	BAKE or CONV BAKE
Turkey	#2	BAKE or CONV BAKE

* Some models only.

Care and Maintenance

Self-Cleaning the Oven (Dual Fuel Models Only)

⚠ WARNING

- Children should not be left alone or unattended in an area where appliances are in use.
- During the Self-Clean cycle, exterior surfaces may become hotter than usual. Parts of the appliance may become potentially harmful to children, and to persons who lack adult knowledge of appliances and lack adult reactions to potentially harmful conditions. Keep these individuals away during self-clean and while the appliance is in use.
- The elimination of soil during self-cleaning may facilitate the emission of small amounts of chemicals or other substances that may be harmful upon sufficient exposure. To minimize exposure to these substances, provide good ventilation with an open window, or use a ventilation fan or hood.
- Keep pet birds out of the kitchen or other rooms where kitchen fumes could reach them. During self-clean, fumes are released that may be harmful to birds.

Brand Names

The use of brand names is intended only to indicate a type of cleaner. This does not constitute an endorsement. The omission of any brand name cleaner does not imply its adequacy or inadequacy. Many products are regional in distribution and can be found in local markets. It is imperative that all cleaning products be used in strict accordance with the instructions on its package.

About Self-Clean

The self-cleaning mode of your new range features pyrolytic self-cleaning. When set to the CLEAN mode, the oven reaches a high temperature, approximately 850°F (454°C), that burns off the food soil.

When the oven is set for CLEAN, the standard cooktop burners and the electric griddle and grill may be used. The outer burners, having the ExtraLow® feature, cannot be used.

It is common to see smoke and/or flames during the clean cycle, depending on the content and amount of soil remaining in the oven. If a flame persists, turn off the oven and allow it to cool before opening the door to wipe up the excessive food soil.

At the end of the CLEAN cycle, some gray ash or burned residue may remain inside the oven. This is a mineral deposit that does not burn or melt. The amount of ash depends on how heavily soiled the oven was before it was cleaned. When the oven is cold, it is easily removed using a damp paper towel, sponge, or cloth.

Wipe off any smoke residue that remains on the front frame with Fantastik® or Bar Keeper's Friend® cleaners. If stain remains, use a mild liquid cleanser. The amount of smoke stain is directly related to the amount of food soil left in the oven at the time of self-cleaning. Clean the oven often.

Before Self-Cleaning the Oven

To reduce flare ups and excess smoke wipe out puddles of grease and any loose soil that can be easily removed. Remove any soil that is outside the door seal area. This appliance is designed to clean the oven interior and the portion of the door that is inside the oven. The outer edges of the door and the frame surrounding the front of the oven are not in the cleaning zone. Wipe this area clean.

BEFORE SETTING THE OVEN TO SELF-CLEAN

- Remove all utensils.
- Remove racks.
- Clean the oven front frame and outer door edges. Wipe up large spills and grease.
- Be sure the light bulbs and glass covers are in place.
- Turn on the ventilator hood above the range and leave it on until the oven has completed the self-clean cycle.

IMPORTANT:

For the first Self-Cleaning cycle of your new range, remove small animals and birds from the kitchen and surrounding areas. Open a nearby window for additional ventilation.

Lock

When the CLEAN cycle starts, the automatic door lock cycle begins. Check the door to confirm that the oven door is locked at the beginning of the cleaning cycle.

To Set Self-Clean

1. Select **SPEED CLEAN** using the Mode Selector Knob.
2. Set Temperature Selector Knob to **CLEAN**.
 - Oven door locks and the cooling blower turns on.
 - OVEN ON, PREHEATING and CLEANING lights turn on.

OVEN ON PREHEATING CLEANING



- When the oven reaches maximum self-clean temperature, the PREHEATING light turns off.

NOTE: The door closing process takes approximately 20 seconds to complete, at which time the door becomes locked. Check to make certain the door is locked.

At the End of the Clean Cycle

The Speed Clean cycle takes 2 hours to complete. The OVEN ON light and the CLEANING light turn off when the cycle is finished. Do not turn either of the oven temperature knobs to the OFF position until the automatic lock cycles to the open position.

1. Select **OFF** using the Mode Selector Knob.
 - The door latch will open automatically when the oven is below 500°F (260°C) and the automatic Door Lock completes its 60 second cycle to the open position.
 - The cooling blower turns off when the oven temperature drops to 200°F (93°C).
2. Turn the oven temperature knob to **OFF** position.

⚠ CAUTION

The interior of the oven will still be at baking temperatures when the automatic lock cycles to its open position and the oven door can be opened.

NOTES:

- The self-clean operation can be canceled up to two times after cycle initiation. Cancellation must occur within 5 minutes of cycle start. If after the second cancellation, the self-clean function is terminated again, the self-clean function will be prevented for a period of 24 hours. All other modes will retain their original functions.
- If the user tries to enable a self-clean function in an oven where the self-clean function has been restricted, the oven lights will blink on and off in 2-second intervals to indicate to the user that the function is not available. User must turn the knobs to OFF to cease the blinking lights.

Range Cleaning Tips

⚠ CAUTION

Avoid cleaning any part of the range while it is hot.

- The porcelain enamel finish is acid resistant, but not acid proof. Acidic foods, such as citrus juices, tomatoes, rhubarb, vinegar, alcohol or milk, should be wiped up and not allowed to bake onto the porcelain during the next use.
- The heating elements in the oven do not require cleaning. The elements burn themselves clean when the oven is in use.

When cleaning this range:

- Use the mildest cleaning procedure that will do the job efficiently and effectively. Some cleaners of the same type are harsher than others. Try on a small inconspicuous area first.
- Always rub metal finishes in the direction of the polish lines for maximum effectiveness and to avoid marring the surface.
- Use only clean soft cloths, sponges, paper towels, fibrous brushes, plastic, non-metal or steel wool soap pads for cleaning and scouring, as recommended on the chart.
- Most exterior parts of this appliance can be cleaned with hot sudsy water (except the various items specifically identified otherwise). When rinsing is required, rinse thoroughly.
- Always wipe dry immediately to avoid water marks.
- **DO NOT USE CHLORINE BASED CLEANERS.**

Rack guide removal for cleaning (gas models only)

1. Lift the front of rack guide to clear the heads of the two shoulder bolts at the front of the oven cavity.
2. Remove the front portion of the rack guide by pulling the guide's key slots over the shoulder bolts.
3. Pull the two rails out of the holes in the back of the oven cavity. The rack guides are designed to fit either side of the oven cavity.

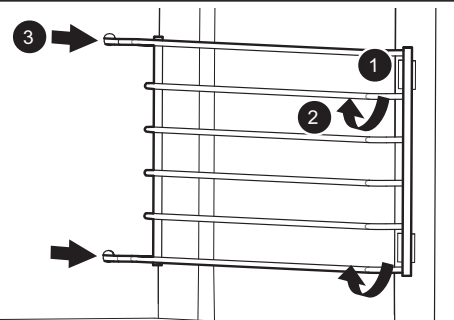
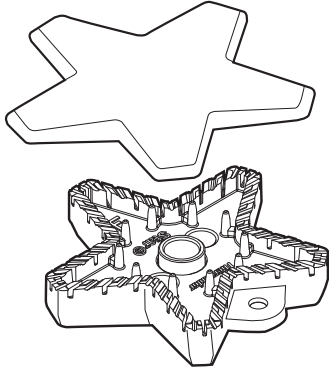
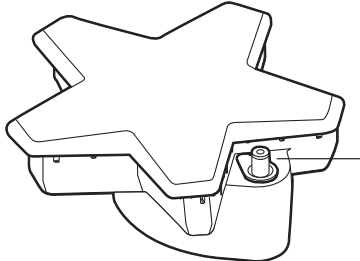
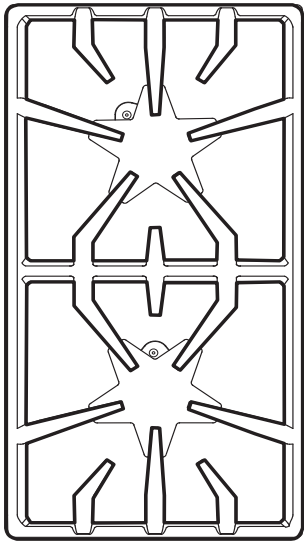
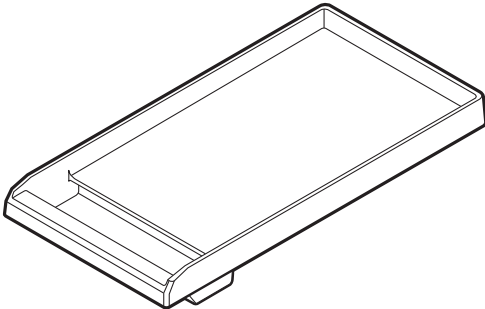
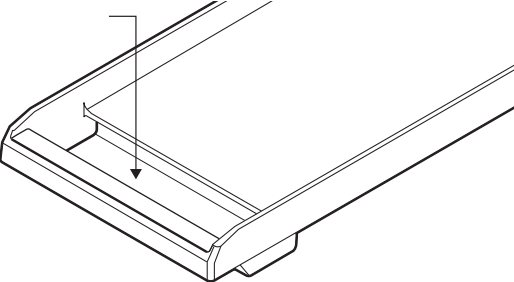
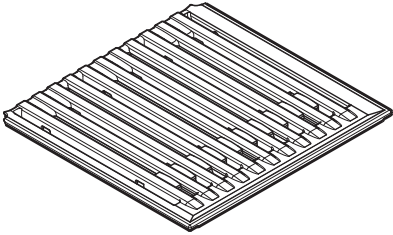
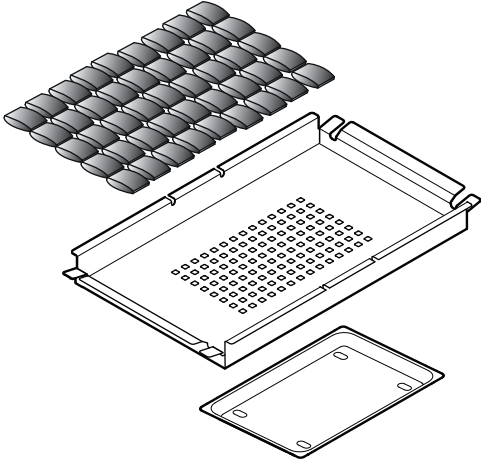


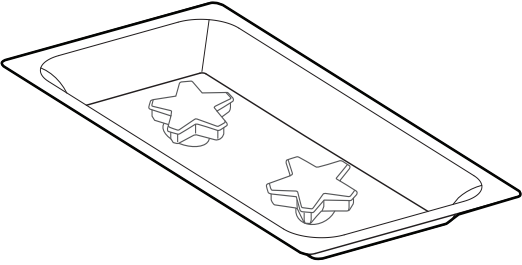
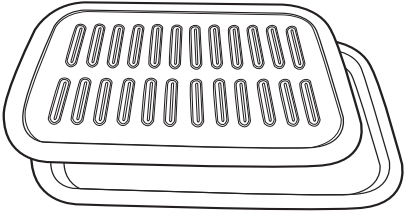
Figure 33: Oven Rack Guide Removal

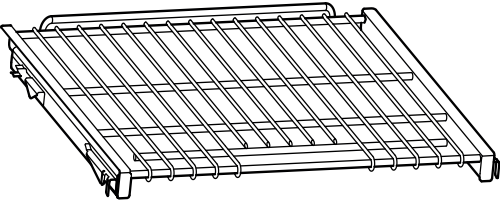
Cleaning Recommendations

PART/MATERIAL	CLEANING NOTES
<p>Brass Burner Base and Cast Iron Cap</p> 	<ul style="list-style-type: none"> • A stiff nylon bristle tooth brush can be used to clean port openings. • After cleaning, make sure that the STAR[®] burner cap is correctly seated on the STAR burner base. • Suggested cleaners; rinse and dry immediately: <ul style="list-style-type: none"> -- Hot water and detergent -- Bar Keeper's Friend[®] -- Bon-ami[®] -- Wright's[®] All Purpose Brass Polish -- Kleen King[®]
<p>Igniters Ceramic</p> 	<ul style="list-style-type: none"> • DO NOT use sharp tools to scrape the igniters. The igniters are fragile. If an igniter is damaged, it may not light the burner. • Suggested cleaners: <ul style="list-style-type: none"> -- Cotton swab dampened with soapy water -- Fantastik[®]
<p>Control Knobs/ Metal Bezels/ Chrome Oven Racks/ Chrome</p>	<ul style="list-style-type: none"> • DO NOT soak knobs. • DO NOT force knobs onto wrong valve shaft. • Suggested cleaners; rinse and dry immediately: <ul style="list-style-type: none"> -- Hot water and detergent
<p>Exterior Finish/Backguard Stainless Steel</p>	<ul style="list-style-type: none"> • Stainless steel resists most food stains and pit marks providing the surface is kept clean and protected. Never allow food stains or salt to remain on stainless steel for any length of time. • Rub lightly in the direction of polish lines. • Chlorine or chlorine compounds in some cleaners are corrosive to stainless steel. Check ingredients on label. • Suggested cleaners; rinse and dry immediately: <ul style="list-style-type: none"> -- Hot water and detergent -- Fantastik[®] -- Siege[®] Stainless Steel and Aluminum Cleaner -- Kleen King[®] Stainless Steel Liquid Cleaner -- Cleaner polish: Stainless Steel Magic[®] to protect the finish from staining and pitting; enhances appearance. -- THERMADOR Stainless Steel Conditioner (00576697) -- For hard water spots use household vinegar. • For heat discoloration; rinse and dry immediately: <ul style="list-style-type: none"> -- Barkeepers Friend[®] -- Wright's[®] All Purpose Brass Polish

PART/MATERIAL	CLEANING NOTES
<p>Grates Porcelain Enamel on Cast Iron</p> 	<ul style="list-style-type: none"> • The grates are heavy; use care when lifting. Place on a protected surface. DO NOT clean grates in a self-cleaning oven. • The rough texture of the grate can sometimes remove aluminum deposits from the bottom of pans and fill in areas between the high spots on the surface of the grate. Use special care when cooking with copper and aluminum pots and pans as this type of cookware can sometimes leave metal deposits on the grates. • Blisters/ crazing/ chips are common due to the extreme temperatures on grate fingers and rapid temperature changes. • Acidic and sugar-laden spills deteriorate the enamel. Remove soil immediately. • Abrasive cleaners, used too vigorously or too often can eventually mar the enamel. • Suggested cleaners; rinse and dry immediately: <ul style="list-style-type: none"> -- Hot water and detergent -- Fantastik® -- Bar Keeper's Friend® -- Bon-ami® -- Soft Scrub® • Stubborn stains; rinse and dry immediately: <ul style="list-style-type: none"> -- Soap-filled steel wool pad -- Lestoil® -- Other degreaser • Metal deposits: <ul style="list-style-type: none"> -- Scotch Brite™ scrub sponge -- Course steel wool pad
<p>Griddle Aluminum with non-stick coating</p> 	<ul style="list-style-type: none"> • NEVER flood a hot griddle with cold water. This can warp or crack the aluminum plate. • DO NOT clean any part of the griddle in a self-cleaning oven. • Wipe griddle surface with warm soapy water then rinse with warm water. Wipe dry with a soft cloth. • If food particles stick to the griddle plate, remove with a mild abrasive cleaner such as Soft Scrub®. • Suggested cleaners; rinse and dry immediately: <ul style="list-style-type: none"> -- Hot water and detergent -- Dishwasher safe -- Soft Scrub®
<p>Griddle Grease Tray</p> 	<ul style="list-style-type: none"> • Remove tray after grease has cooled. Be careful not to fill it so full that tipping to remove it spills the grease. Discard grease into a grease resistant container for disposal. • Clean the grease tray after each use. • Suggested cleaners; rinse and dry immediately: <ul style="list-style-type: none"> -- Hot water and detergent -- Dishwasher safe -- Soft Scrub®

PART/MATERIAL	CLEANING NOTES
<p>Grill Grates Porcelain Enamel on Cast Iron</p> 	<ul style="list-style-type: none"> • Clean the grates after each use. • Place the grill grate into a sink and pour boiling hot water over the grate. Lay a dish towel on top of the grate and pour more hot water over the towel. Allow the water to soak into the residue. Scrape away debris with a soap-filled scouring pad. • Stubborn soil: Soft Scrub®. • Suggested cleaners; rinse and dry immediately: <ul style="list-style-type: none"> -- Hot water and detergent -- Dishwasher safe -- Soft Scrub® -- Soft brass wire brush for stubborn residues. Hard steel wire brushes could scratch the porcelain grate coating and cause premature oxidation of the grate. • Stubborn stains; rinse and dry immediately: <ul style="list-style-type: none"> -- Soap-filled steel wool pad -- Lestoil® -- Other degreaser
<p>Ceramic Briquettes, Briquette Basket, and Grill Drip Tray</p> 	<ul style="list-style-type: none"> • Suggested cleaning for ceramic briquettes; <ol style="list-style-type: none"> 1) Gently place grease-saturated ceramic briquettes in a 6 quart or larger pot. 2) Fill the pot with clean water so that all ceramic briquettes are covered at least ½" deep. 3) Bring the water to a steady boil. Once reaching a steady boil, continue to boil for 10 minutes. 4) Remove from heat and allow ceramic briquettes to cool to a safe temperature. 5) Pour water off of ceramic briquettes and pat them dry on old towels or paper towels. 6) Allow ceramic briquettes to air dry for at least two hours. Some visible grease stains may remain on briquettes after cleaning. 7) Reassemble clean, dry briquettes back into the grill before using the grill again. • New ceramic briquettes can be purchased from the THERMADOR eShop (order number <i>PABRICKBKN</i>). See the back cover for support information. ▲ CAUTION: Ceramic briquettes must be replaced when they begin to turn black. This means that they are saturated with fat and may smoke heavily during operation or the fat may catch fire. • Suggested cleaners for basket and drip tray; rinse and dry immediately: <ul style="list-style-type: none"> -- Hot water and detergent -- Bar Keeper's Friend® -- Dishwasher safe

PART/MATERIAL	CLEANING NOTES
<p>Surface Spill Trays Porcelain Enamel (gloss finish)</p> 	<ul style="list-style-type: none"> • If mild abrasive cleaners are used, rub lightly as these cleansers may scratch the finish. • For burned on foods, soap filled fiber or steel wool pads may be used but care must be taken as these may scratch the finish. • Suggested cleaners; rinse and dry immediately: <ul style="list-style-type: none"> -- Hot water and detergent -- Bar Keeper's Friend® -- Soft Scrub® -- Bon-ami® -- Comet® -- Ajax® • Stubborn stains; rinse and dry immediately: <ul style="list-style-type: none"> -- Soap-filled fiber or steel wool pad
<p>Oven Cavity Porcelain Enamel on Steel</p>	<ul style="list-style-type: none"> • Porcelain enamel is acid resistant, but not acid proof. Acid foods such as citrus juices, tomatoes, rhubarb, vinegar, alcohol or milk, should be wiped up and not allowed to bake onto the porcelain during the next use. Over a period of time, the porcelain may craze (get fine hairlike lines), this will not affect oven performance. • Apply cleaner to a damp sponge or cloth. Rub lightly. Rinse thoroughly and dry. If food has burned onto the oven and is difficult to remove, the spots can be soaked with a cloth saturated in a suggested cleaner. Close the door and allow it to soak until the food soil can be easily removed with a damp soapy cloth or mild abrasive. • Suggested cleaners; rinse and dry immediately: <ul style="list-style-type: none"> -- Hot water and detergent -- Bar Keeper's Friend® -- Vinegar and water -- Soft Scrub® -- Bon-ami® -- Comet®
<p>Door(s) Door Handle and Stainless Steel</p>	<ul style="list-style-type: none"> • Use care to keep cleaners and water away from the door vents. If water or cleaners spill into the vents, water may streak the glass inside.
<p>Seal Door Gasket</p>	<ul style="list-style-type: none"> • Spray on cleaner and blot dry with a cloth. DO NOT rub. Do not move, remove or damage mesh. • Suggested cleaners; rinse and dry immediately: <ul style="list-style-type: none"> -- Hot water and detergent -- Fantastik®
<p>Broil Pan Grid/Bottom Porcelain Enamel</p> 	<ul style="list-style-type: none"> • To loosen cooked on food, squirt with liquid detergent and cover with wet paper towels. Allow to stand. • Suggested cleaners; rinse and dry immediately: <ul style="list-style-type: none"> -- Hot water and detergent -- Vinegar and water -- Dishwasher safe -- Bar Keeper's Friend® -- Soft Scrub® -- Bon-ami® -- Soap-filled fiber or steel wool pads

PART/MATERIAL	CLEANING NOTES
<p>Oven Racks and Rack Guides Nickel Plated</p> 	<ul style="list-style-type: none"> • Some commercial oven cleaners cause darkening and discoloration. Test the cleaner on a small part of the rack and check for discoloration before cleaning the entire rack. • Oven racks will discolor if left in oven during self clean. • If the racks do not slide easily after being cleaned, dampen a paper towel with a small amount of cooking oil and rub it lightly over the side rails. • Suggested cleaners; rinse and dry immediately: <ul style="list-style-type: none"> -- Hot water and detergent -- Vinegar and water -- Dishwasher safe -- Bar Keeper's Friend® -- Soft Scrub® -- Bon-ami® • Stubborn stains; rinse and dry immediately: <ul style="list-style-type: none"> -- Soap-filled fiber or steel wool pad

Do-It-Yourself Maintenance

Oven Light Bulb Replacement

⚠ CAUTION

- Make sure the appliance and lights are cool and power to the appliance has been turned off before replacing the light bulb(s). Failure to do so could result in electrical shock or burns.
- The covers must be in place when using the appliance.
- The covers serve to protect the light bulb from breaking.
- The covers are made of glass. Handle carefully to avoid breaking. Broken glass could cause an injury.
- The light socket is live when the door is open.

Replace only with a recommended light bulb designed for appliance oven use. **DO NOT** use a standard household light bulb in any oven. Call THERMADOR Customer Care Center at 1-800-735-4328 or your nearest THERMADOR dealer to determine the proper replacement bulb for your range. You will need to know your range's model number and serial number.

To Replace the Light Bulb

Use only 40W, 120V G9 light bulbs. Use a clean, dry cloth to handle halogen light bulbs. This will increase the life of the bulb.

1. Turn off circuit breaker.
2. Remove the oven racks.
3. Slide the tip of a flat blade screw driver between the holder clip and the lamp housing (*Figure 34, A*). Support the glass lens cover with fingers along the bottom edge to prevent the cover from falling to the bottom of the oven. Gently twist the flat blade screw driver to loosen the glass lens cover.

4. Remove the glass lens cover.
5. Remove the bulb by grasping and sliding the bulb straight back until the two prongs have cleared the ceramic holder (*Figure 34, B*).
6. **DO NOT touch the glass** of the new replacement bulb with your fingers. It may cause the bulb to fail when it first lights. Grasp the replacement bulb with a clean dry cloth. Locate the two prongs in the ceramic holder, gently poking until the two prongs locate in the ceramic socket.
7. Press down to seat the bulb (*Figure 34, C*).
8. Slide the protective lens into the holder clip and push the other end until the fixing clip snaps back into the housing (*Figure 34, D*).

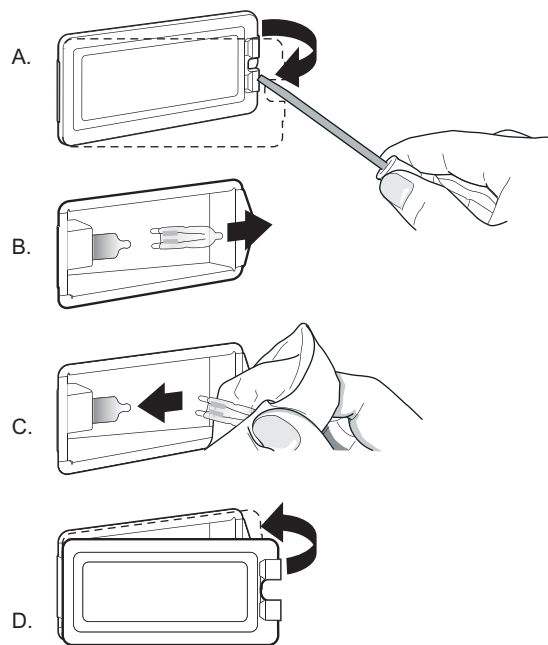


Figure 34: Bulb Replacement

9. Turn on circuit breaker.

Before Calling for Service

Checklist

Before calling for service, check the following to avoid unnecessary service charges.

Be sure to check these items first:

- Is there a power outage in the area?
- Is the household fuse blown or the circuit breaker tripped?
- Is the range disconnected from the electrical supply?

If the burners do not ignite:

- Are the burner caps properly aligned and seated in the burner bases?
- Are the burner ports clogged?
- Is a fuse blown or is the circuit breaker tripped?
- Is the manual shut-off valve closed, preventing the flow of gas?

Data Rating Label

The data rating plate shows the model and serial number of your range. It is located on the frame, behind the oven door (*Figure 35*).

The electric wiring diagrams and schematics are attached behind the toe kick, and should not be removed except by a service technician, then replaced after service (*Figure 35*).

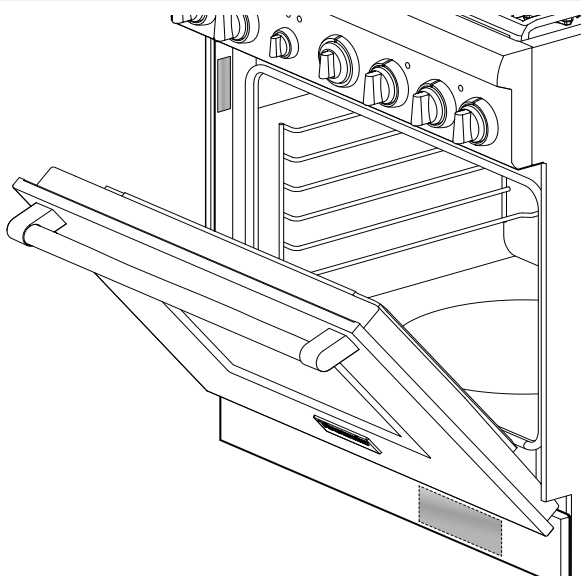


Figure 35: Rating Label Location

▲ CAUTION

Before removing the toe kick panel, disconnect the range from the electrical power supply. Reinstall the toe kick panel before reconnecting the range to the power supply and operating the range.

Service Information

For handy reference, copy the information below from the data rating plate located on the frame, behind the oven door. Keep your invoice for Warranty validation.

Model Number _____

Serial Number _____

Date of Purchase _____

Also, enter this information on the Product Registration Form included with this product.

Register your BSH product to ensure timely service and access to your product related information. You may register your product through one of the following ways:

1. Mail in the completed THERMADOR product registration card.
2. Register your product online at www.thermador.com.
3. Call us at THERMADOR customer service at 1-800-735-4328.

Troubleshooting

SYMPTOM	POSSIBLE CAUSE	REMEDY
Intermittent igniter sparking	<ul style="list-style-type: none"> • Ceramic igniter is wet or dirty. • Burner ports are clogged. 	<ul style="list-style-type: none"> • Carefully dry or clean igniter. • Clean ports on burner cap with a wire, a needle or straightened paper clip.
More than four clicks of igniter before lighting	<ul style="list-style-type: none"> • Improper fit of burner cap onto burner base. 	<ul style="list-style-type: none"> • Align burner cap properly on burner base.
Constant igniter sparking	<ul style="list-style-type: none"> • Range is not properly grounded. • Electrical power supply is incorrectly polarized. 	<ul style="list-style-type: none"> • Refer to the <i>Installation Manual</i>. Have a qualified electrician ground the range properly.
Igniters sparking but no flame ignition.	<ul style="list-style-type: none"> • Gas supply valve is in “OFF” position. 	<ul style="list-style-type: none"> • Restore gas supply to the unit.
Range will not operate (lights, oven, and surface burners will not come on)	<ul style="list-style-type: none"> • No power to the unit. • Oven is in Sabbath Mode. 	<ul style="list-style-type: none"> • Check for open circuit breaker. • Check that power supply line connection is connected to the proper voltage. • Verify that the oven is not in Sabbath Mode. See the Using the Oven section of the <i>Use and Care Guide</i>.
Oven operates on bake but fails to operate on timed bake	<ul style="list-style-type: none"> • Timer improperly set. 	<ul style="list-style-type: none"> • Set timer as outlined in the <i>Use and Care Guide</i>.
Oven light fails to come on.	<ul style="list-style-type: none"> • Oven light burned out. 	<ul style="list-style-type: none"> • Replace the oven light as outlined in the <i>Use and Care Guide</i>.
Door will not open.	<ul style="list-style-type: none"> • Oven is still in self-clean mode. 	<ul style="list-style-type: none"> • If oven is hot, door latch will release when safe temperature is reached.
Foods in oven are not cooking sufficiently.	<ul style="list-style-type: none"> • Rack position is incorrect. • Improper cookware. • Oven door may not be sealing properly. • Appliance not level. 	<ul style="list-style-type: none"> • See the Using the Oven section of the <i>Use and Care Guide</i>. • Refer to Cookware Recommendations in the <i>Use and Care Guide</i>. • Clean the oven door gasket. Replace if worn. • Refer to the <i>Installation Manual</i> for instructions on how to level the appliance.
Hot air is coming from the appliance.	<ul style="list-style-type: none"> • It is normal for the cooling process to push heated air out into the room when the oven is on. • During different modes the fan speed will increase and decrease. 	<ul style="list-style-type: none"> • This is normal.

Statement of Limited Product Warranty

What this Warranty Covers & Who it Applies to

The limited warranty provided by BSH Home Appliances Corporation (BSH) in this Statement of Limited Product Warranty applies only to the THERMADOR® appliance sold to you, the first using purchaser, provided that the Product was purchased:

- For your normal, household (non-commercial) use, and has in fact at all times only been used for normal household purposes.
- New at retail (not a display, "as is", or previously returned model), and not for resale, or commercial use.
- Within the United States or Canada, and has at all times remained within the country of original purchase.

The warranties stated herein apply only to the first purchaser of the Product and are not transferable.

Please make sure to return your registration card; while not necessary to effectuate warranty coverage, it is the best way for BSH to notify you in the unlikely event of a safety notice or product recall.

How Long the Warranty Lasts

Product built preceding January 1, 2012 with a number of FD911299999 or lower: BSH warrants that the Product is free from defects in materials and workmanship for a period of three hundred and sixty-five (365) days from the date of purchase. The foregoing timeline begins to run upon the date of purchase, and shall not be stalled, tolled, extended, or suspended, for any reason whatsoever.

Product built subsequent to January 1, 2012 with a number of FD920100000 or higher: BSH warrants that the Product is free from defects in materials and workmanship for a period of seven hundred and thirty (730) days from the date of purchase. The foregoing timeline begins to run upon the date of purchase, and shall not be stalled, tolled, extended, or suspended, for any reason whatsoever.

This Product is also warranted to be free from cosmetic defects in material and workmanship (such as scratches of stainless steel, paint/porcelain blemishes, chips, dents, or other damage) to the finish of the Product, for a period of sixty (60) days from the date of purchase or closing date for new construction. This cosmetic warranty excludes slight color variations due to inherent differences in painted and porcelain parts, as well as differences caused by kitchen lighting, product location, or other similar factors. This

cosmetic warranty specifically excludes any display, floor, "As Is", or "B" stock appliances.

Repair/Replace as Your Exclusive Remedy

During this warranty period, BSH or one of its authorized service providers will repair your Product without charge to you (subject to certain limitations stated herein) if your Product proves to have been manufactured with a defect in materials or workmanship. If reasonable attempts to repair the Product have been made without success, then BSH will replace your Product (upgraded models may be available to you, in the sole discretion of BSH, for an additional charge). All removed parts and components shall become the property of BSH at its sole option. All replaced and/or repaired parts shall assume the identity of the original part for purposes of this warranty and this warranty shall not be extended with respect to such parts. BSH's sole liability and responsibility hereunder is to repair manufacturer-defective Product only, using a BSH-authorized service provider during normal business hours. For safety and property damage concerns, BSH highly recommends that you do not attempt to repair the Product yourself, or use an un-authorized servicer; BSH will have no responsibility or liability for repairs or work performed by a non-authorized servicer. If you choose to have someone other than an authorized service provider work on your Product, THIS WARRANTY WILL AUTOMATICALLY BECOME NULL AND VOID. Authorized service providers are those persons or companies that have been specially trained on BSH products, and who possess, in BSH's opinion, a superior reputation for customer service and technical ability (note that they are independent entities and are not agents, partners, affiliates or representatives of BSH). Notwithstanding the foregoing, BSH will not incur any liability, or have responsibility, for the Product if it is located in a remote area (more than 100 miles from an authorized service provider) or is reasonably inaccessible, hazardous, threatening, or treacherous locale, surroundings, or environment; in any such event, if you request, BSH would still pay for labor and parts and ship the parts to the nearest authorized service provider, but you would still be fully liable and responsible for any travel time or other special charges by the service company, assuming they agree to make the service call.

Out of Warranty Product

BSH is under no obligation, at law or otherwise, to provide you with any concessions, including repairs, pro-rates, or Product replacement, once this warranty has expired.

Warranty Exclusions

The warranty coverage described herein excludes all defects or damage that are not the direct fault of BSH, including without limitation, one or more of the following:

- Use of the Product in anything other than its normal, customary and intended manner (including without limitation, any form of commercial use, use or storage of an indoor product outdoors, use of the Product in conjunction with air or water-going vessels).
- Any party's willful misconduct, negligence, misuse, abuse, accidents, neglect, improper operation, failure to maintain, improper or negligent installation, tampering, failure to follow operating instructions, mishandling, unauthorized service (including self-performed "fixing" or exploration of the appliance's internal workings).
- Adjustment, alteration or modification of any kind.
- A failure to comply with any applicable state, local, city, or county electrical, plumbing and/or building codes, regulations, or laws, including failure to install the product in strict conformity with local fire and building codes and regulations.
- Ordinary wear and tear, spills of food, liquid, grease accumulations, or other substances that accumulate on, in, or around the Product.
- Any external, elemental and/or environmental forces and factors, including without limitation, rain, wind, sand, floods, fires, mud slides, freezing temperatures, excessive moisture or extended exposure to humidity, lightning, power surges, structural failures surrounding the appliance, and acts of God.
- In no event shall BSH have any liability or responsibility whatsoever for damage to surrounding property, including cabinetry, floors, ceilings, and other structures or objects around the Product. Also excluded from this warranty are products on which the serial numbers have been altered, defaced, or removed; service visits to teach you how to use the Product, or visits where there is nothing wrong with the Product; correction of installation problems (you are solely responsible for any structure and setting for the Product, including all electrical, plumbing or other connecting facilities, for proper foundation/flooring, and for any alterations including without limitation cabinetry, walls, floors, shelving, etc.); and resetting of breakers or fuses.

TO THE EXTENT ALLOWED BY LAW, THIS WARRANTY SETS OUT YOUR EXCLUSIVE REMEDIES WITH RESPECT TO PRODUCT, WHETHER THE CLAIM ARISES IN CONTRACT OR TORT (INCLUDING STRICT LIABILITY, OR NEGLIGENCE) OR OTHERWISE. THIS WARRANTY IS IN LIEU OF ALL OTHER WARRANTIES, WHETHER EXPRESS OR IMPLIED. ANY WARRANTY IMPLIED BY LAW, WHETHER FOR MERCHANTABILITY OR FITNESS FOR A PARTICULAR PURPOSE, OR OTHERWISE, SHALL BE EFFECTIVE ONLY FOR THE PERIOD THAT THIS EXPRESS LIMITED WARRANTY IS EFFECTIVE. IN NO EVENT WILL THE MANUFACTURER BE LIABLE FOR CONSEQUENTIAL, SPECIAL, INCIDENTAL, INDIRECT, "BUSINESS LOSS", AND/OR PUNITIVE DAMAGES, LOSSES, OR EXPENSES, INCLUDING WITHOUT LIMITATION TIME AWAY FROM WORK, HOTELS AND/OR RESTAURANT MEALS, REMODELLING EXPENSES IN EXCESS OF DIRECT DAMAGES WHICH ARE DEFINITELY CAUSED EXCLUSIVELY BY BSH, OR OTHERWISE. SOME STATES DO NOT ALLOW THE EXCLUSION OR LIMITATION OF INCIDENTAL OR CONSEQUENTIAL DAMAGES, AND SOME STATES DO NOT ALLOW LIMITATIONS ON HOW LONG AN IMPLIED WARRANTY LASTS, SO THE ABOVE LIMITATIONS MAY NOT APPLY TO YOU. THIS WARRANTY GIVES YOU SPECIFIC LEGAL RIGHTS, AND YOU MAY ALSO HAVE OTHER RIGHTS WHICH VARY FROM STATE TO STATE.

No attempt to alter, modify or amend this warranty shall be effective unless authorized in writing by an officer of BSH.

Table des matières

Sécurité	49	Convection	77
Description	56	Conseils d'utilisation de la cuisson par convection	77
Modèle et identification des pièces	56	Séchage d'aliments avec le mode de cuisson à convection	79
Avant de commencer	58	Warm (certains modèles)	80
Mise en route	58	Proof (certains modèles)	80
Grilles du four	58	Autres utilisations du four	81
Brûleurs de la surface de cuisson	59	Broil et Conv Broil	81
Utilisation du four	59	Guide de cuisson au gril et rôtissage	82
Utilisation de la table de cuisson	60	Entretien et Nettoyage	83
Brûleurs scellés	60	Autonettoyage du four (certains modèles)	83
Brûleurs ExtraLow	62	Conseils de nettoyage	85
Récipients recommandés	64	Suggestions de nettoyage	86
Conseils de cuisson – brûleurs de la table de cuisson	66	Entretien À Faire Soi-même	91
Plaque chauffante (certains modèles)	68	Changement de l'ampoule du four	91
Conseils de cuisson avec la plaque chauffante	69	Avant d'appeler le service technique	92
Gril (certains modèles)	71	Plaque signalétique	92
Recommandations pour la cuisson sur le gril	73	Information pour le service technique	92
Utilisation du Four	74	Dépannage	93
Fonctionnement du four	74	Énoncé de Garantie Limitée du Produit	94
Bake ou Conv Bake	75	Entretien, Pièces et Accessoires	page verso
Extended Bake	75		
Four secondaire	76		
Conseils de cuisson au four	76		

Définitions concernant la sécurité

▲ AVERTISSEMENT

Ceci indique que le non respect de cet avertissement peut entraîner des blessures graves, voire la mort.

▲ ATTENTION

Ceci indique que le non respect de cet avertissement peut entraîner des blessures légères ou modérées.

NOTICE : Ceci indique que la non-conformité à cet avis de sécurité peut entraîner des dégâts à l'appareil ou à la propriété.

Note : Ceci vous avertit que d'importantes informations et/ou conseils sont fournis.

Cet appareil électroménager de THERMADOR^{mc}
est fait par BSH Home Appliances Ltd
6696 Financial Drive, Unit 3
Mississauga, ON L5N 7J6

Des questions?

1-800-735-4328

www.thermador.ca

Nous attendons de vos nouvelles!

Sécurité



INSTRUCTIONS DE SÉCURITÉ IMPORTANTES LISEZ ET CONSERVEZ CES INSTRUCTIONS

LISEZ ATTENTIVEMENT CE QUI SUIT

AVERTISSEMENT

Pour éviter tout risque de brûlure ou d'incendie, un dossier conçu spécialement pour cette cuisinière doit être installé lors de son utilisation. Rapportez-vous au manuel d'installation de cet appareil pour obtenir de plus amples renseignements.

AVERTISSEMENT

Lorsque vous en prenez soin comme il se doit, votre nouvel appareil est conçu pour être sécuritaire et fiable. Lisez attentivement toutes les instructions avant de l'utiliser. Ces mesures de précaution réduiront les risques de brûlures, de décharges électriques, d'incendie et de blessures corporelles. Lors de l'utilisation d'électroménagers, certaines mesures de sécurité doivent être respectées, y compris celles apparaissant dans les pages suivantes.

AVERTISSEMENT



Un enfant ou un adulte pourrait faire basculer l'appareil et perdre la vie. Assurez-vous que le dispositif anti-basculé a été convenablement installé et que la patte de l'appareil est retenue par le support lorsque vous remettez la cuisinière en place.

Ne faites pas fonctionner l'appareil si le support anti-basculé n'est pas en place. La non-observation des instructions du présent guide peut entraîner la mort ou causer de graves brûlures à des enfants ou des adultes.

Assurez-vous que le support anti-basculé est bien installé et dûment utilisé. Faites doucement basculer la cuisinière vers l'avant en la tirant par l'arrière pour vous assurer que le support anti-basculé est bel et bien entré dans la base moulée en aluminium et que l'appareil ne peut se renverser. La cuisinière ne devrait pas pouvoir bouger de plus d'un pouce (2,5 cm).

AVERTISSEMENT

Si vous ne suivez pas rigoureusement les renseignements fournis dans le présent guide, des risques d'incendie ou d'explosion sont susceptibles de causer des dommages matériels, des blessures ou la mort.

- N'entreposez pas et n'utilisez pas d'essence ou d'autres produits inflammables sous forme de liquide ou de vapeur à proximité de la cuisinière ou de tout autre appareil.
- SI VOUS DÉTECTEZ UNE ODEUR DE GAZ
 - N'allumez aucun appareil.
 - Ne touchez pas aux interrupteurs électriques.
 - N'utilisez pas les téléphones du bâtiment où vous trouvez.
 - Appelez immédiatement votre société gazière chez un voisin et suivez les instructions qu'elle vous donne.
 - Si vous n'arrivez pas à contacter votre société gazière, appelez le service d'incendie.
- L'installation et les travaux d'entretien doivent être réalisés par un installateur qualifié, un centre de réparation agréé ou une société gazière.

Exigences en matière de gaz et d'électricité et instructions de mise à la terre

Vérification du type de gaz

Vérifiez le type de gaz fourni à votre emplacement. Assurez-vous que l'appareil est raccordé au type de gaz pour lequel il est certifié. Assurez-vous que le type de cuisinière et le type de gaz sont compatibles. Reportez-vous à l'étiquette de données qui se trouve à l'endroit indiqué à la "Avant d'appeler le service technique".



INSTRUCTIONS DE SÉCURITÉ IMPORTANTES

LISEZ ET CONSERVEZ CES INSTRUCTIONS

Consultez les exigences d'alimentation électrique et de mise à la terre dans les instructions d'installation.

IMPORTANT :

Hormis les modèles PRD305PH, PRG305PH et PRL305PH, lors d'une installation contre une surface combustible, un dossieret bas est requis. Vous devez acheter séparément un dossieret bas THERMADOR. Avant d'utiliser la cuisinière, assurez-vous qu'elle est dotée d'un dossieret de protection approprié. Reportez-vous au Manuel d'installation qui accompagne cet appareil pour de plus amples détails.

Lors de l'utilisation de la garniture d'îlot THERMADOR, il faut un espace minimal de 12 po (305 mm) entre la partie arrière de l'appareil et la surface combustible. Les espaces libres jusqu'aux surfaces non combustibles ne sont pas précisés dans la norme ANSI Z21.1 et ne sont pas certifiés par la CSA. Tout espace libre de moins de 12 po (305 mm) doit être approuvé par les normes locales ou l'autorité locale ayant compétence.

AVERTISSEMENT

Lorsque l'appareil est raccordé au gaz propane, veillez à ce que le réservoir de gaz soit doté de son propre régulateur à haute pression en plus du régulateur fourni avec la cuisinière. **La pression maximale de gaz à cet appareil ne peut pas dépasser une colonne d'eau de 14,0 pouces (34,9 mb) du réservoir de gaz au régulateur de pression.**

MISE EN GARDE

Pour des raisons de sécurité, cet appareil doit être branché à une prise électrique correctement polarisée et mise à la terre.

Il est de votre responsabilité et de votre obligation, à vous, l'utilisateur, de vous assurer qu'un électricien qualifié branche cet appareil à l'alimentation électrique, conformément au code national de l'électricité ou aux codes et règlements locaux en vigueur.

AVERTISSEMENT

Avertissements de la Proposition 65 de l'État de la Californie :

Ce produit contient des produits chimiques connus de l'État de la Californie pour causer le cancer, des anomalies congénitales ou d'autres problèmes de reproduction.

AVERTISSEMENT

Débranchez toujours la fiche électrique de la prise murale avant d'effectuer des réparations sur la cuisinière.

ESSAIS CONFORMES À:

- La norme américaine ANSI Z21.1 régissant les appareils électroménagers au gaz.
- La norme américaine UL 858 régissant les cuisinières électriques domestiques.
- La norme canadienne CAN/CSA-22.2 No. 61, régissant les cuisinières domestiques.
- La norme canadienne CAN 1-1.1-M81 régissant les cuisinières domestiques au gaz.

Consultez la réglementation locale du bâtiment qui s'applique à votre cas pour connaître la bonne méthode d'installation. S'il n'y a pas de réglementation, cet appareil doit être installé conformément au code national américain sur les gaz combustibles No Z223.1, édition actuelle, et au code américain de l'électricité ANSI/NFPA No 70, édition actuelle, ou bien au code canadien Can - B149 régissant l'installation des appareils à gaz et à la section 1 du code électrique canadien C22.1.

AVERTISSEMENT

EN CAS DE DÉFAILLANCE ÉLECTRIQUE

Si, pour une raison quelconque, un bouton de commande est activé (ON) sans qu'aucune alimentation électrique ne puisse allumer les brûleurs STAR^{mc}, **éteignez-le et attendez 5 minutes** que le gaz se dissipe avant d'allumer manuellement le brûleur STAR.

Pour allumer manuellement les brûleurs STAR, grattez une allumette et approchez-la des orifices du brûleur STAR, puis tournez le bouton de commande du gaz à la position HI (élevé).

Durant une panne d'électricité, vous pouvez utiliser les brûleurs STAR de la table de cuisson, mais chacun d'eux devra être allumé à l'aide d'une allumette.

Ne tentez **PAS** d'allumer les deux brûleurs XLO STAR de gauche et les deux brûleurs XLO STAR de droite manuellement. Ces brûleurs STAR sont dotés de l'option ExtraLow et ne peuvent pas être allumés manuellement.



INSTRUCTIONS DE SÉCURITÉ IMPORTANTES

LISEZ ET CONSERVEZ CES INSTRUCTIONS

Il incombe au propriétaire et à l'installateur de déterminer si des exigences ou des normes additionnelles s'appliquent à l'installation spécifique.

Consignes de sécurité de base

Votre nouvelle cuisinière est conçue pour être fiable et sécuritaire si elle est bien entretenue. Néanmoins, vous devez faire preuve d'une grande prudence lorsque vous utilisez cette cuisinière professionnelle, car ce type d'appareil produit une chaleur intense. L'utilisation d'appareils de cuisine doit se faire conformément aux consignes élémentaires de sécurité, y compris ce qui suit:

Lisez attentivement le présent guide d'utilisation et d'entretien avant d'utiliser votre nouvelle cuisinière afin de réduire les risques d'incendie, de décharge électrique ou de blessures.

L'installation et l'entretien doivent être correctement effectués. Suivez les instructions d'installation fournies avec le produit. Assurez-vous qu'un électricien qualifié installe et effectue la mise à la terre de la cuisinière.

Demandez à l'installateur de vous montrer où se trouvent le disjoncteur et la vanne d'arrêt de gaz pour savoir où et comment couper l'alimentation électrique et l'approvisionnement en gaz de la cuisinière.

Si un brûleur STAR fuit et que du gaz s'en échappe, ouvrez une fenêtre ou une porte. Ne tentez pas d'utiliser la cuisinière avant que le gaz ait eu le temps de se dissiper. Attendez au moins 5 minutes avant d'utiliser la cuisinière.

Ne réparez et ne remplacez aucune pièce de l'appareil, sauf sous recommandation expresse du présent guide. Toute autre réparation doit être effectuée par un technicien qualifié.

AVERTISSEMENT

Ne rangez pas d'objets attirant l'attention d'enfants au-dessus ou derrière la cuisinière. Ils risqueraient d'y monter pour s'en emparer et pourraient se blesser gravement.

N'utilisez jamais la cuisinière ou le four comme espace de rangement. Les matières inflammables pourraient prendre feu et les objets en plastique pourraient fondre ou prendre feu.

N'accrochez rien sur l'appareil et n'appuyez rien contre le four. Certains tissus peuvent facilement s'enflammer.

Si la cuisinière est placée près d'une fenêtre, assurez-vous que les courants d'air ne peuvent pas pousser les rideaux jusqu'au-dessus ou à proximité des brûleurs; ils pourraient s'enflammer.

Assurez-vous qu'il y a un détecteur de fumée fonctionnel près de la cuisine.

Si vos vêtements ou vos cheveux prennent feu, jetez-vous immédiatement par terre et roulez pour éteindre les flammes.

Ayez un extincteur approprié à portée de la main, visible et facile d'accès, tout près de l'appareil de cuisson.

Étouffez les flammes provenant d'aliments en feu, autre que les feux de friture, avec du bicarbonate de soude. N'utilisez jamais de l'eau pour éteindre des aliments en feu.

AVERTISSEMENT

POUR RÉDUIRE LES RISQUES DE FEU DE FRITURE :

- Ne laissez jamais l'appareil sans surveillance lors de son utilisation à haute température. Les débordements par bouillonnement causent de la fumée et des déversements de graisse qui peuvent prendre feu. Faites chauffer l'huile à des températures basses ou moyennes.
- Allumez toujours la hotte lorsque vous cuisinez à haute température ou que vous faites flamber des aliments (c.-à-d. crêpes Suzette, cerises jubilé, bœuf flambé au poivre).
- Nettoyez fréquemment les ventilateurs. Ne laissez pas la graisse s'accumuler sur les ventilateurs ou les filtres.
- Utilisez des poêlons aux dimensions adéquates. Utilisez toujours une batterie de cuisine correspondant aux dimensions de l'élément ou du brûleur.

Dans la mesure du possible, ne faites pas fonctionner le système de ventilation lorsqu'il y a un feu sur la surface de cuisson. Cependant, ne tentez pas de l'éteindre en passant votre main dans le feu.

Lorsque les enfants sont assez âgés pour utiliser l'appareil, il est de la responsabilité légale des parents ou des tuteurs de veiller à ce que des personnes qualifiées leur enseignent des pratiques sécuritaires.



INSTRUCTIONS DE SÉCURITÉ IMPORTANTES

LISEZ ET CONSERVEZ CES INSTRUCTIONS

Les vêtements, poignées, mitaines ou toute autre matière inflammable ne doivent pas toucher ni être placés à proximité des brûleurs à infrarouge, des brûleurs ou des grilles des brûleurs avant que ceux-ci n'aient eu le temps de refroidir. Les tissus pourraient prendre feu et provoquer des blessures.

N'utilisez que des poignées et mitaines sèches : la vapeur qui se dégage de poignées et de mitaines mouillées ou humides posées sur des surfaces chaudes peut provoquer des blessures. N'utilisez pas de serviettes ni de chiffons volumineux au lieu de poignées et de mitaines. Ne laissez pas de poignées ou de mitaines toucher des grilles de brûleurs, des brûleurs à infrarouge ou des brûleurs chauds.

Pour votre sécurité, lorsque vous utilisez l'appareil, portez des vêtements adéquats et évitez ceux qui sont amples et qui ont des manches tombantes. Certains tissus synthétiques sont hautement inflammables. Vous ne devriez pas en porter lorsque vous cuisinez.

AVERTISSEMENT

POUR REDUIRE LES RISQUES DE BLESSURE LORS D'UN FEU DE FRITURE, OBSERVEZ LES CONSIGNES SUIVANTES :

- Étouffez les flammes avec un couvercle, une plaque à biscuits ou un plateau de métal et éteignez ensuite le brûleur ou l'élément. Prenez garde aux risques de brûlure. Si les flammes ne disparaissent pas immédiatement, évacuez les lieux et appelez le service d'incendie.
- NE PRENEZ JAMAIS UN POÊLON EN FEU – Vous pourriez vous brûler.
- N'UTILISEZ PAS D'EAU ou un linge à vaisselle mouillé – une violente explosion de vapeur s'ensuivra.
- Utilisez un extincteur SEULEMENT si :
 - Vous savez que vous possédez un extincteur de classe ABC et vous savez vous en servir.
 - Le feu est faible et ne s'est pas répandu depuis son point d'origine.
 - Vous avez appelé le service d'incendie.
 - Vous pouvez sortir facilement de l'endroit où vous combattez le feu.

N'enveloppez aucune pièce de la cuisinière ou du four dans du papier d'aluminium. L'utilisation de revêtement en aluminium pourrait causer une décharge électrique ou un incendie, ou encore obstruer la circulation d'air de la combustion et de l'aération. Le papier d'aluminium est un excellent isolateur et il retient la chaleur. Son utilisation

aura une incidence sur la cuisson et pourrait endommager le fini du four ou de la cuisinière.

AVERTISSEMENT

Cet appareil a été conçu pour un usage culinaire. Pour des raisons de sécurité, n'utilisez jamais le four ou la table de cuisson pour chauffer une pièce. Cela pourrait endommager les composantes de la table de cuisson ou du four.

Quand vous utilisez la table de cuisson : NE TOUCHEZ PAS LES GRILLES DES BRÛLEURS OU LES ZONES ADJACENTES. Les zones entourant les brûleurs peuvent devenir assez chaudes pour causer des brûlures.

AVERTISSEMENT

RISQUE DE BASCULEMENT DE LA CUISINIÈRE:

- Toutes les cuisinières peuvent basculer et blesser quelqu'un. Pour éviter un basculement accidentel de la cuisinière, elle doit être fixée au sol, au mur ou à une armoire à l'aide du dispositif anti-bascule fourni.
- L'appareil risque de basculer s'il n'est pas installé conformément à ces instructions.
- En déplaçant la cuisinière pour la nettoyer, la réparer ou pour toute autre raison, assurez-vous qu'elle s'est bien enclenchée dans le dispositif anti-bascule lorsque vous la remettez en place. Autrement, si l'appareil est utilisé de façon anormale (par exemple, si quelqu'un monte, s'assoie ou s'appuie sur une porte ouverte), la cuisinière risque de basculer. Le basculement de la cuisinière ou d'un liquide chaud se trouvant sur la surface de cuisson pourrait causer des blessures corporelles.

Lorsque vous cuisinez, réglez les brûleurs de façon à ce que la flamme ne chauffe que le fond du récipient sans déborder sur les côtés.

Ne faites pas chauffer de récipients fermés. La pression s'accumulant dans le récipient pourrait le faire éclater et provoquer des blessures.

AVERTISSEMENT

N'utilisez JAMAIS cet appareil pour chauffer une pièce. Ceci peut causer un empoisonnement au monoxyde de carbone et surchauffer l'appareil.



INSTRUCTIONS DE SÉCURITÉ IMPORTANTES

LISEZ ET CONSERVEZ CES INSTRUCTIONS

Ne laissez jamais la cuisinière sans surveillance quand vous utilisez une flamme intense. Les débordements produisent de la fumée et des éclaboussures de graisse qui peuvent s'enflammer. Par ailleurs, si la flamme d'un brûleur s'éteint, du gaz s'échappera dans la pièce. Pour en savoir plus sur les fuites de gaz, consultez la *page 49*.

Seuls certains types de casseroles en verre, en vitrocéramique résistant à la chaleur, en céramique, en terre cuite ou en céramique vitrifiée peuvent être utilisés sur les brûleurs de la cuisinière. Ce type de récipients peut se casser lors de changements de température brusques. N'utilisez que des réglages de flamme bas ou moyen et respectez les directives du fabricant.

AVERTISSEMENT

Ne recouvrez JAMAIS des fentes, des trous ou des parties du fond du four et ne couvrez jamais des grilles entières avec des matières comme du papier d'aluminium. Vous obstruerez la circulation d'air dans le four, ce qui peut causer un empoisonnement au monoxyde de carbone. Un revêtement en papier d'aluminium peut également piéger la chaleur et présenter un risque d'incendie.

AVERTISSEMENT

Évitez d'utiliser une flamme forte de façon prolongée avec un récipient plus grand que la grille ou couvrant plusieurs brûleurs, comme une plaque. Cela peut nuire à la combustion et produire des émanations dangereuses.

N'utilisez PAS de casseroles ou de poêlions sur le gril. Les grandes casseroles, les plaques à biscuits, etc. ne doivent jamais être utilisées sur la surface de cuisson.

Soyez prudent et assurez-vous que les courants provenant de grilles d'aération ou de ventilateurs ne soufflent pas de matière inflammable vers les flammes ou ne poussent pas les flammes sur les côtés de la casserole ou du poêlon.

Utilisez toujours des casseroles et poêlons à fond plat et suffisamment larges pour couvrir le brûleur. L'utilisation de casseroles trop petites pourrait exposer une partie de la flamme et enflammer des vêtements.

N'utilisez pas de produits nettoyants inflammables pour nettoyer la cuisinière.

Pour réduire les risques de brûlure, d'inflammation de matières inflammables et de renversements accidentels, placez les poignées des récipients vers l'intérieur de la cuisinière pour qu'elles ne dépassent pas sur les surfaces

de travail adjacentes, les zones de préparation ou le bord de la table de cuisson de la cuisinière.

Veuillez noter que certaines personnes et certains animaux peuvent être sensibles aux odeurs créées pendant le processus d'autonettoyage, qu'il s'agisse des résidus de fabrication ou d'aliments qui brûlent. Il est donc recommandé pour ces personnes ou ces animaux d'éviter de se trouver dans la cuisine pendant le processus d'autonettoyage.

Tenez la poignée du récipient pour l'empêcher de bouger quand vous remuez des aliments.

N'utilisez pas le plateau de la plaque chauffante pour faire cuire des viandes très grasses ou des produits qui s'enflamment facilement.

Avant d'utiliser la plaque chauffante ou les brûleurs à proximité, enlevez la planche à découper optionnelle ou l'accessoire de recouvrement de la plaque.

LA GRAISSE EST INFLAMMABLE. Laissez la graisse chaude refroidir avant d'essayer de la manipuler. Évitez de laisser de la graisse s'accumuler. Nettoyez après chaque utilisation.

Nettoyez la cuisinière avec soin. Faites attention de ne pas vous brûler avec la vapeur : N'utilisez pas d'éponge ou de chiffon mouillé pour nettoyer la cuisinière quand elle est chaude. Certains produits nettoyants dégagent des vapeurs toxiques s'ils sont appliqués sur une surface chaude. Suivez les indications fournies par le fabricant du produit nettoyant.

Pour que les brûleurs s'allument et fonctionnent correctement, les orifices d'allumage doivent être gardés propres. Il faut les nettoyer après un débordement ou lorsque le brûleur ne s'allume pas même si le système d'allumage électronique s'actionne.

AVERTISSEMENT

Après un renversement ou une éclaboussure, éteignez le brûleur et nettoyez le pourtour et les orifices. Assurez-vous du bon fonctionnement de l'appareil après le nettoyage.

Assurez-vous que tous les boutons de la table de cuisson sont hors circuit et que la table de cuisson est froide avant d'utiliser un produit nettoyant en aérosol sur celle-ci ou à proximité de celle-ci. Certains produits chimiques vaporisés peuvent, en présence de chaleur, prendre feu ou corroder les pièces métalliques.



INSTRUCTIONS DE SÉCURITÉ IMPORTANTES

LISEZ ET CONSERVEZ CES INSTRUCTIONS

Quand vous utilisez le four, ne touchez pas l'élément du grilloir, les surfaces internes du four ou la zone externe entourant la porte. Les surfaces internes du four chauffent suffisamment pour causer des brûlures. Le déflecteur de chaleur, qui évacue la chaleur de la table de cuisson et de la garniture sur le dessus et les côtés de la porte du four, sera également chaud pendant l'utilisation du four.

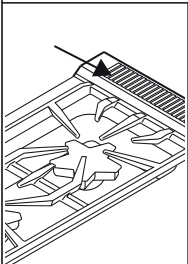
Placez les grilles du four à la position voulue pendant que le four est froid. Si vous devez déplacer une grille quand le four est chaud, ne laissez pas les ustensiles entrer en contact avec le brûleur à infrarouge.

Faites preuve de prudence lorsque vous ouvrez la porte du four. Laissez l'air chaud et la vapeur s'échapper avant d'introduire ou de retirer des aliments.

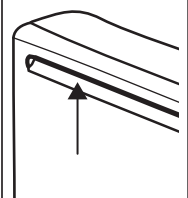
Avant de procéder à l'autonettoyage du four (sur certains modèles), enlevez la lèchefrite, les grilles du four, tout autre ustensile et les accumulations de saletés.

N'OBSTRUEZ PAS la circulation d'air de combustion ou d'aération.

AVERTISSEMENT



NE bloquez et n'obstruez PAS les prises d'air de ventilation. L'ouverture d'aération du four est située à l'arrière de l'appareil. Les ouvertures d'aération ne doivent pas être obstruées. Elles doivent être ouvertes pour permettre la circulation d'air nécessaire au fonctionnement adéquat du four.



NE touchez PAS la zone entourant le trou d'aération du four lorsque l'appareil fonctionne, et ce, plusieurs minutes après la fin de son utilisation. Certaines pièces de l'ouverture d'aération et de la zone l'entourant deviennent assez chaudes pour causer des brûlures. Laissez suffisamment de temps à l'appareil pour qu'il refroidisse avant de toucher ou de nettoyer l'ouverture d'aération et la zone l'entourant.

NE mettez PAS du plastique ou d'autres articles sensibles à la chaleur sur l'ouverture d'aération du four ou à proximité. Ces articles pourraient fondre ou s'enflammer.

Protégez le dispositif d'autonettoyage. Nettoyez seulement les parties indiquées dans le présent guide. N'utilisez pas de produits nettoyants commerciaux ou de revêtements de protection pour four dans le four autonettoyant ou autour.

Pour des raisons de sécurité et pour ne pas endommager l'appareil, ne vous asseyez pas, ne montez pas et ne vous appuyez pas sur la porte du four.

Toutes les réparations doivent être effectuées par des techniciens agréés, qui devront débrancher l'alimentation électrique de l'appareil avant de le réparer.

Pour éviter tout risque d'incendie, nettoyez fréquemment la hotte et les filtres afin d'empêcher les accumulations de graisse.

Assurez-vous de bien entendre la soufflerie de refroidissement lorsque le four est réglé aux modes BROIL ou BAKE, et qu'il atteint une température de 300°F (149°C) ou au mode d'autonettoyage - voir la section « Fonctionnement automatique de la soufflerie de refroidissement ». Si le ventilateur ne fonctionne pas, n'utilisez pas le four. Appelez un centre autorisé pour obtenir du service.

En cas d'incendie ou si vous faites flamber intentionnellement de l'alcool sur la table de cuisson, suivez les instructions du fabricant. Faites preuve de prudence lorsque vous cuisinez avec de l'alcool (ex. : rhum, brandy, bourbon) dans le four. L'alcool s'évapore à haute température. Les vapeurs d'alcool peuvent s'enflammer dans le four et présenter un risque de brûlure. Utilisez seulement une petite quantité d'alcool avec les aliments et faites attention lorsque vous ouvrez la porte du four.

AVERTISSEMENT

Vous ne devriez pas installer cet appareil avec un système de ventilation à aspiration descendante. Ce type de système de ventilation peut présenter des risques d'incendie et des problèmes de combustion et ainsi entraîner des blessures corporelles, des dommages matériels ou un fonctionnement involontaire. Aucune restriction ne s'applique aux systèmes de ventilation à aspiration ascendante.

Les appareils de cuisson au gaz produisent de la chaleur et de l'humidité.



INSTRUCTIONS DE SÉCURITÉ IMPORTANTES

LISEZ ET CONSERVEZ CES INSTRUCTIONS

Ne rangez pas ou n'utilisez pas de produits chimiques, corrosifs, inflammables, non alimentaires près de cet appareil ou dans cet appareil, lequel est spécifiquement conçu pour réchauffer ou faire cuire des aliments. L'utilisation de produits chimiques corrosifs pendant le réchauffage ou la cuisson peut endommager l'appareil et causer des blessures.

Vous ne devez pas nettoyer, frotter, endommager, déplacer ni retirer le joint de la porte. Il est essentiel pour assurer une bonne étanchéité pendant la cuisson ou l'autonettoyage du four. Si le joint est usé ou très sale, remplacez-le pour assurer une bonne étanchéité.

Lorsque vous faites cuire des aliments gras sur les brûleurs, le gril ou la plaque chauffante, les vapeurs peuvent s'enflammer lors de l'utilisation des brûleurs à gaz adjacents. Prenez garde de ne pas vous brûler.

Ne laissez personne monter, se tenir debout, s'asseoir ou s'appuyer à une partie quelconque de l'appareil, particulièrement sur une porte. Cela pourrait endommager l'appareil, qui pourrait basculer et provoquer de graves blessures.

AVERTISSEMENT

Pour éviter tout risque de brûlure, **ACTIVEZ** la hotte lorsque vous cuisinez à des températures élevées ou lorsque vous faites flamber de la nourriture.

N'utilisez pas simultanément tous les éléments chauffants ou les brûleurs au gaz à des réglages élevés pendant de longues périodes. (maximum de 15 minutes).

Si la hotte est installée au-dessus d'une table de cuisson au gaz, activez la hotte à la puissance maximale chaque fois que vous utilisez simultanément trois brûleurs ou plus.

Ne mettez pas en marche le système de ventilation pendant un feu de table de cuisson.

Ne laissez PAS d'enfants utiliser cet appareil à moins qu'un adulte exerce une surveillance étroite.

Ne laissez pas d'enfants ou d'animaux seuls ou sans surveillance dans une pièce où des appareils fonctionnent. Ils ne devraient pas être autorisés à jouer près de l'appareil, qu'il soit en cours d'utilisation ou non.

Pour assurer le bon fonctionnement des allumeurs et des brûleurs, gardez les orifices des allumeurs propres. Il faut nettoyer les orifices lors d'un débordement ou lorsqu'un brûleur ne s'allume pas même si les allumeurs électroniques fonctionnent.

Enlevez tout le matériel d'emballage et le ruban adhésif avant d'utiliser l'appareil. Débarrassez-vous du matériel d'emballage après l'installation. Ne laissez jamais des enfants jouer avec le matériel d'emballage.

Il est recommandé d'utiliser un circuit spécialisé pour cet appareil. Consultez le manuel d'installation pour les exigences en matière d'électricité et des instructions pour la mise à la terre.

IMPORTANT : Il est possible que le mur arrière se décolore lors de l'utilisation de certains modes de cuisson.

Description

Modèle et identification des pièces

Description des tableaux de commande

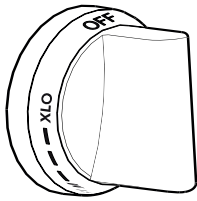
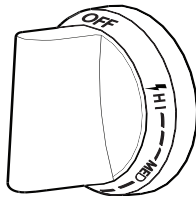
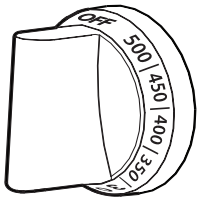
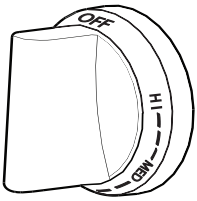
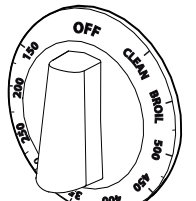
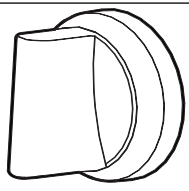
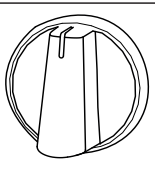

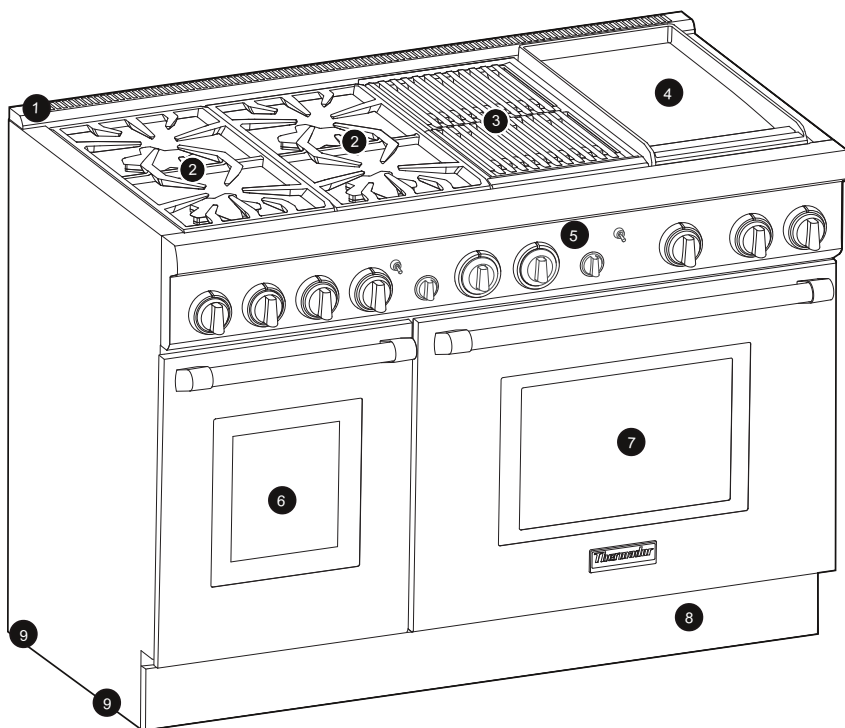
				
Bouton ExtraLow	Bouton Standard	Bouton de plaque chauffante	Bouton de grill	Sélecteur de température du four
				
Sélecteur de mode des modèles de 36"	Sélecteur de mode des modèles de 30" et 48"	Interrupteur de la lampe du four		

Tableau 1: Description Bouton

Description de la cuisinière



Le modèle illustré est la cuisinière de 48" avec plaque chauffante et grill (les modèles varient)

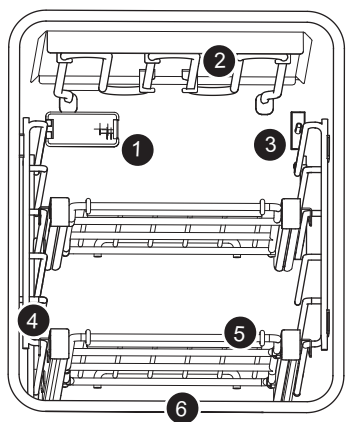
1. La garniture pour installation en îlot (illustration), le dossier bas (vendu séparément) ou la garniture sans dégagement (seulement pour les modèles de 305)
2. Grilles de brûleurs et brûleurs
3. Gril électrique (optionnel)
4. Plaque chauffante électrique (optionnelle)
5. Tableaux de commande
6. Four auxiliaire (modèles de 48" seulement)
7. Four principal
8. Plaque d'habillage
9. Pieds de cuisinière

⚠ AVERTISSEMENT

Pour assurer une bonne ventilation de la cuisinière, n'enlevez PAS les pattes de la cuisinière.

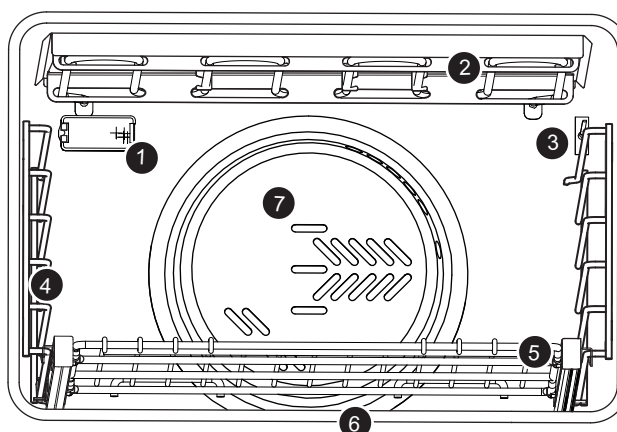
Figure 1 : Description d'une cuisinière mixte

Description de l'intérieur des fours électrique



Intérieur du four électrique secondaire (modèles de 48\"/>

1. Lumière du four
2. Élément du grilloir
3. Capteur thermostat du four
4. Glissières des grilles
5. Grilles de four (2 incluses)
6. Élément de cuisson (dissimulé)

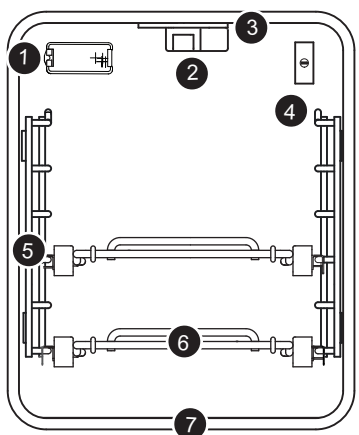


Intérieur du four électrique

1. Lumière du four
2. Élément du grilloir
3. Capteur thermostat du four
4. Glissières des grilles
5. Grilles de four (3 incluses)
6. Élément de cuisson (dissimulé)
7. Couvercle du ventilateur à convection

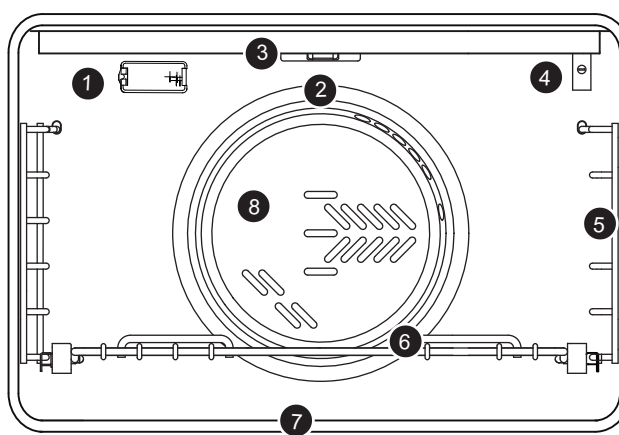
Figure 2 : Description de l'intérieur du four principal d'une cuisinière mixte

Description de l'intérieur d'un four à gaz



Intérieur du four gaz secondaire (modèles de 48\"/>

1. Lumière du four
2. Allumeur du grilloir
3. Brûleur infrarouge du grilloir
4. Capteur thermostat du four
5. Guides de grilles
6. Grilles coulissantes (2 incluse)
7. Élément de cuisson (dissimulé)



Intérieur du four à gaz

1. Lumière du four
2. Allumeur du grilloir
3. Brûleur infrarouge du grilloir
4. Capteur thermostat du four
5. Guides de grilles
6. Grilles du four (3 incluses)
7. Brûleur de cuisson (dissimulé)
8. Couvercle du ventilateur à convection

Figure 3 : Description de l'intérieur des fours électrique

Avant de commencer

Mise en route

Plaque signalétique

Notez les numéros de modèle et de série à la page 92. Consultez les renseignements apparaissant sur la plaque de la fiche signalétique. La plaque de la fiche signalétique se trouve à la droite de l'appareil, entre la cavité du four et le panneau latéral. Vous pouvez utiliser ces renseignements lors de toutes vos futures communications avec le service à la clientèle.

Grille plate

⚠ AVERTISSEMENT

Pour prévenir les risques de brûlure, n'enlevez ou ne déplacez JAMAIS les grilles lorsque le four est en marche ou lorsqu'il refroidit.

⚠ ATTENTION

N'utilisez jamais de papier d'aluminium pour recouvrir les grilles du four ou chemiser le four. N'enlevez pas l'élément du grilloir du four électrique. L'utilisation inadéquate de papier d'aluminium peut endommager le four.

Position des grilles pour la cuisson

Placez correctement les grilles dans le four. La position adéquate des grilles dépend de la recette et du mode de cuisson. **Les positions des grilles dans le four sont numérotées de bas en haut, comme un ascenseur.** La position no 3 est la position la plus fréquemment utilisée. Introduisez la ou les grilles à la position voulue avant d'allumer le four.

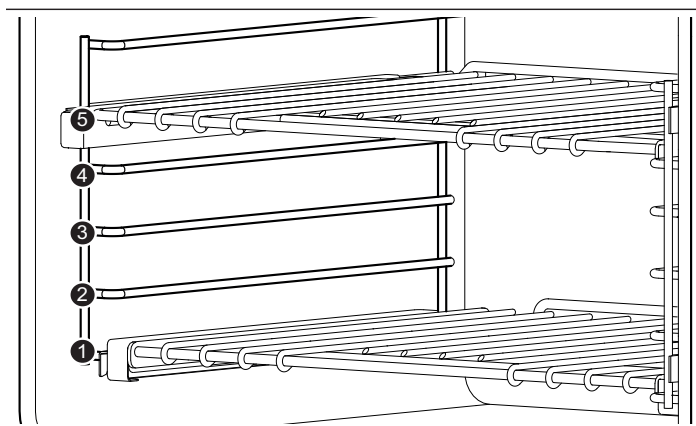
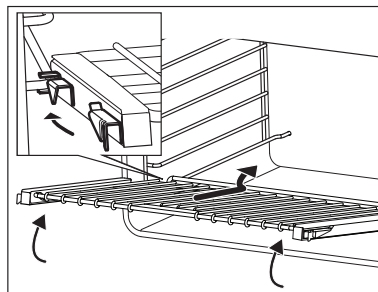


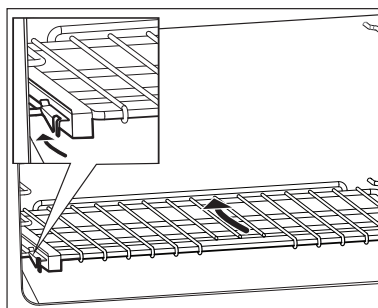
Figure 4 : Positions des grilles dans le four

Comment placer la grille Full Access dans le four

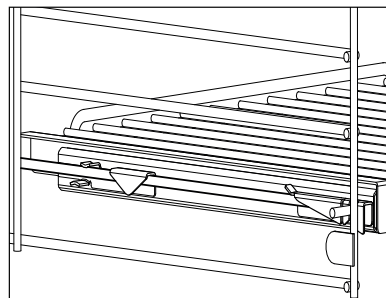
1. Tenez la grille dans un angle légèrement ouvert. Placez les crochets sous la partie avant des fentes des glissières.



2. Poussez la grille dans le four en la soulevant par-dessus les butées de sûreté situées à l'avant des glissières.
3. Tenez la grille bien droite.
4. Poussez la grille jusqu'à ce qu'elle arrive au même niveau que les crochets avant.



5. Soulevez la grille.
6. Poussez la grille jusqu'au fond.
7. Engagez les crochets avant de la grille dans les glissières.

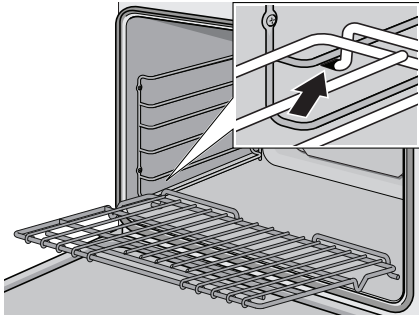


IMPORTANT : Lorsque vous installez la grille coulissante dans le four, assurez-vous que les supports frontaux des glissières de la grille reposent dans les larges fentes des coins avant de la grille. Cela est nécessaire pour que la grille demeure dans la bonne position lorsqu'elles se trouvent totalement à l'intérieur du four.

Figure 5 : Installation de la grille coulissante du four

Mise en place de la grille plate dans le four

La grille est conçue avec une butée afin qu'elle ne sorte pas complètement du four et ne s'incline pas.



1. Saisir fermement la grille par les côtés.
2. Installer la grille (voir illustration).
3. Incliner la grille vers le haut pour mettre la butée dans le guide.
4. Amener la grille en position horizontale et pousser jusqu'au fond. La grille doit être droite, à plat et ne doit pas dévier.

Figure 6 : Installation de la grille dans le four

IMPORTANT : Enlevez toujours les grilles avant de procéder à l'autonettoyage du four. Si les grilles coulissantes restent dans le four pendant l'autonettoyage, les lubrifiants du mécanisme de glissement de chaque grille seront endommagés et le fini se décolorera.

TOUJOURS RETIRER AVANT L'AUTONETTOYAGE

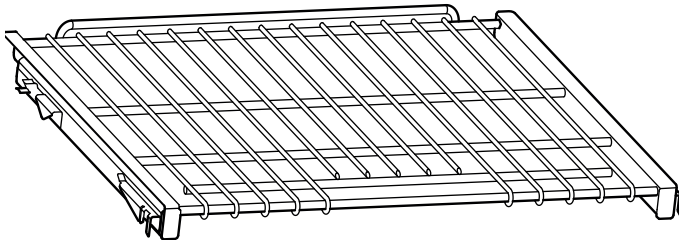


Figure 7 : Installation de la grille dans le four

TOUJOURS RETIRER AVANT L'AUTONETTOYAGE

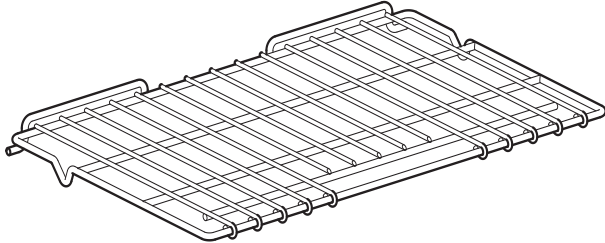


Figure 8 : Grille plate

Brûleurs de surface

1. **Assurez-vous que les chapeaux des brûleurs sont bien posés sur leurs bases sur la table de cuisson** (*“Vérification de la position des chapeaux des brûleurs.”* à la page 61).
2. Allumez chaque brûleur pour vous assurer que la flamme est d'une couleur adéquate. Consultez la section *« “Description de la flamme”* à la page 63 » pour plus de détails.

Utilisation du four

1. **Avant de faire cuire au four ou de rôtir**, vous devriez allumer le four et l'élément de voûte pour brûler les huiles utilisées lors de la fabrication à l'aide de l'une des méthodes suivantes :
 - Allumez le système de ventilation de la cuisine (ou une fenêtre si votre hotte est munie d'un système de recirculation d'air). Allumez le four à 450°F (230°C) pendant 20 à 30 minutes. Réglez ensuite le four à BROIL pour la même période. Veuillez noter qu'il est normal qu'un peu de fumée sorte de la cuisinière lors de ce processus initial.
 - Mettez le système de ventilation de la cuisine en marche (si la hotte utilisée fonctionne avec un système de reprise d'air, ouvrez une fenêtre). Enlevez les grilles du four. Réglez le four au mode d'autonettoyage et laissez-le terminer son cycle (voir la section *« “Four autonettoyant (modèles mixtes seulement)”* à la page 83 »).

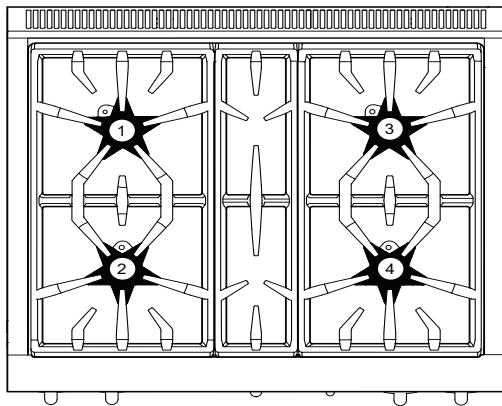
Les cuisinières dégagent parfois une odeur particulière ou de la fumée lors de la première utilisation. Ces odeurs ou cette fumée proviennent des résidus de fabrication qui brûlent, ce qui est caractéristique de toute nouvelle cuisinière, indépendamment du fabricant.

Veillez lire la section “Entretien et nettoyage” avant de nettoyer les grilles du four.

NOTE : Il est normal durant le processus de refroidissement que le four dégage de l'air chaud dans la pièce où il se trouve.

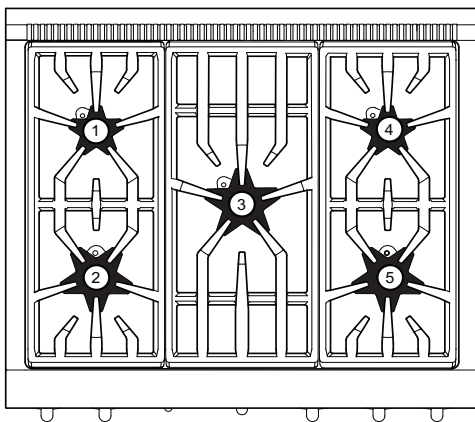
Utilisation de la table de cuisson

Brûleurs STAR scellés



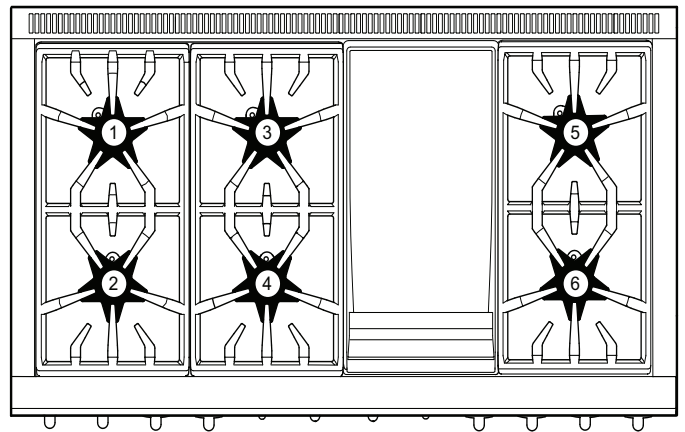
1. Brûleur arrière gauche (Gaz naturel 18 000 KW, GPL 15 000 KW) — Brûleur ExtraLow
2. Brûleur avant gauche (Gaz naturel 18 000 KW, GPL 15 000 KW) — Brûleur ExtraLow
3. Brûleur arrière droit (Gaz naturel 18 000 KW, GPL 15 000 KW)
4. Brûleur avant droit (Gaz naturel 18 000 KW, GPL 15 000 KW)

Figure 9 : Modèles PRD304 et PR(G/L)304



1. Brûleur arrière gauche (Gaz naturel 8 000 KW, GPL 6 000 KW) — Brûleur ExtraLow
2. Brûleur avant gauche (Gaz naturel 10 000 KW, GPL 9 100 KW)
3. Brûleur central (Gaz naturel 15 000 KW, GPL 11 000 KW)
4. Brûleur arrière droit (Gaz naturel 8000 KW, GPL 6 000 KW)
5. Brûleur avant droit (Gaz naturel 18 000 KW, GPL 14 000 KW) — Brûleur ExtraLow

Figure 10 : Modèles PRD305 et PR(G/L)305



1. Brûleur arrière gauche (Gaz naturel 18 000 KW, GPL 15 000 KW) — Brûleur ExtraLow
2. Brûleur avant gauche (Gaz naturel 18 000 KW, GPL 15 000 KW) — Brûleur ExtraLow
3. Brûleur central arrière (Gaz naturel 18 000 KW, GPL 15 000 KW)
4. Brûleur central avant (Gaz naturel 18 000 KW, GPL 15 000 KW)
5. Brûleur arrière droit (Gaz naturel 18 000 KW, GPL 15 000 KW)
6. Brûleur avant droit (Gaz naturel 18 000 KW, GPL 15 000 KW)

Figure 11 : Modèles PRD364, PRD366, PRD486, PR(G/L)364, PR(G/L)366, PR(G/L)486

Mise en place des capuchons de brûleur

Chaque capuchon comporte une lettre (B, D, ou F) coulée dans la partie inférieure du capuchon correspondant à une lettre (B, D, ou F) coulée dans la base du brûleur solidaire de l'appareil.

- Placer chaque capuchon de brûleur sur la base du brûleur correspondant selon la lettre marquée sur chacun d'eux. Voir la figure ci-dessous.

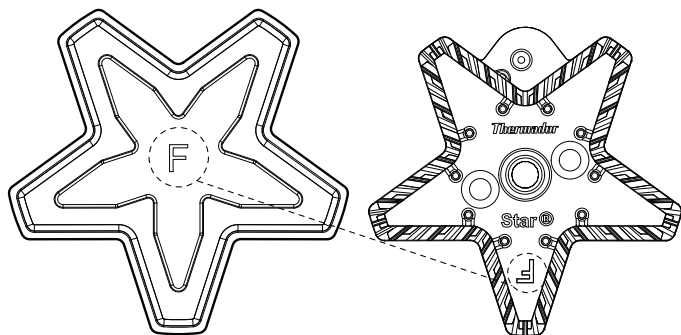


Figure 12 : Éléments du brûleur

- Placer le capuchon de brûleur délicatement sur la base de manière à ce que les pattes de la base du brûleur s'ajustent parfaitement dans la fente du capuchon de brûleur.

Chapeaux des brûleurs

Pour assurer un fonctionnement approprié, les chapeaux des brûleurs STAR doivent être placés adéquatement sur leur base. Si le chapeau n'est pas placé adéquatement, l'un ou l'autre des problèmes suivants pourrait survenir :

- Les flammes du brûleur sont trop hautes.
- Des flammes excessives jaillissent du brûleur.
- Le brûleur ne s'allume pas.
- Les flammes du brûleur sont inégales.
- Le brûleur émet des odeurs.

⚠ AVERTISSEMENT

Pour prévenir toute brûlure, éviter de toucher les chapeaux et les grilles des brûleurs lorsqu'ils sont chauds. Éteignez la table de cuisson et laissez les brûleurs refroidir.

⚠ AVERTISSEMENT

Pour prévenir toute brûlure, éviter de toucher les chapeaux et les grilles des brûleurs lorsqu'ils sont chauds. Éteignez la table de cuisson et laissez les brûleurs refroidir.

Vérification de la position des chapeaux des brûleurs.

- Vérifiez chaque brûleur pour vous assurer qu'il n'y a pas d'espace entre le chapeau et la base du brûleur. Voir Figure 13: "Chapeau de brûleur correctement et incorrectement placé" pour des exemples de chapeau de brûleur correctement ou incorrectement placés.
- Vous pouvez essayer de déplacer délicatement les chapeaux des brûleurs latéralement pour vous assurer qu'ils sont placés correctement sur leur base. Lorsqu'ils sont bien placés, les chapeaux des brûleurs sont droits sur la base et couvrent complètement la base du brûleur en forme d'étoile lorsque vous les regardez d'en haut, comme sur la Figure 13.

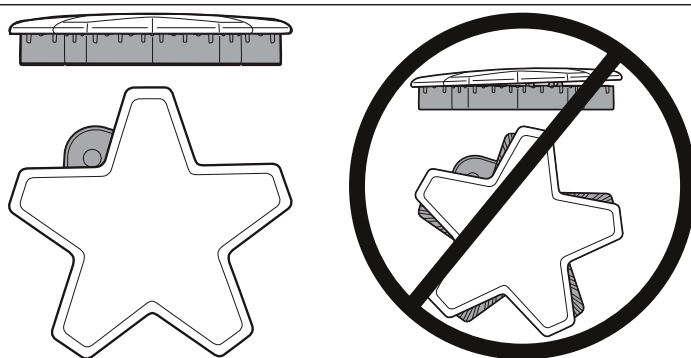


Figure 13 : Chapeau de brûleur correctement et incorrectement placé

Positionnement des grilles des brûleurs

Assurez-vous que les grilles sont adéquatement positionnées sur la surface de cuisson avant d'utiliser les brûleurs. Les grilles sont conçues pour reposer dans la partie enfoncée de la surface de cuisson.

Pour installer les grilles des brûleurs, positionnez-les avec le côté plat vers le bas et alignez-les dans la partie enfoncée. Les grilles doivent s'appuyer les unes contre les autres et contre les côtés de la partie enfoncée.

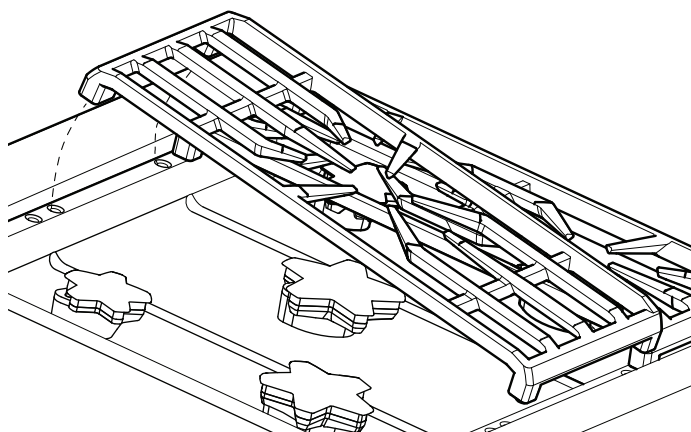


Figure 14 : Positionnement des grilles des brûleurs

Boutons de commande

Le symbole au-dessus de chaque bouton identifie soit la position du brûleur sur la surface de cuisson ou le contrôle de la grille, selon le modèle.

Fonctionnement des brûleurs

1. Poussez sur le bouton et tournez-le dans le sens antihoraire jusqu'au réglage HI.
 - L'allumeur du brûleur sélectionné émet des étincelles pour allumer le brûleur.
 - Une fois le brûleur allumé, l'allumeur cesse d'émettre des étincelles.
2. Tournez le bouton à n'importe quel réglage entre HI et SIM.
 - Un témoin lumineux bleu, situé entre les boutons de commande, s'allume lorsque les brûleurs adjacents sont allumés. Le témoin reste allumé jusqu'à ce que les brûleurs adjacents soient éteints.

Brûleurs ExtraLow^{mc}

Les contrôles pour les brûleurs de gauche, avant et arrière, ont les mêmes réglages que les réglages standards **SIM**.

Le dessin montre la gamme supplémentaire de réglage du bouton entre les repères **SIM** et **XLO**. Lorsque le bouton est placé sur cette gamme, la flamme s'allume et s'éteint. La modification des durées pendant lesquelles la flamme reste allumée/éteinte permet de réduire davantage la quantité de chaleur et de cuire des aliments délicats. Le réglage très bas est utile pour faire mijoter, pocher, fondre du chocolat et du beurre, maintenir la température des plats préparés sans qu'ils roussissent ou brûlent, etc.

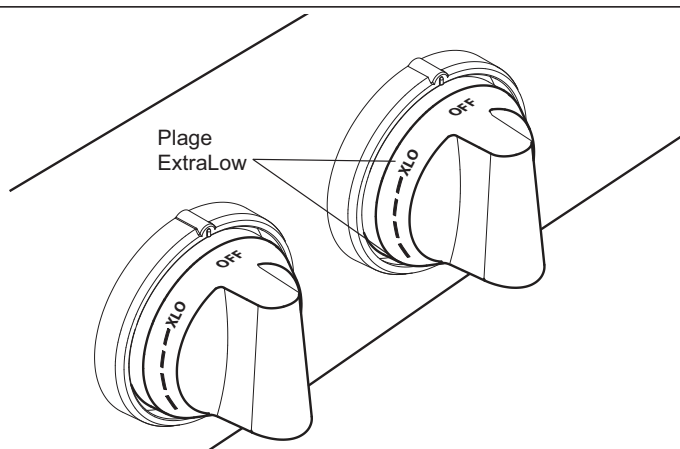


Figure 15 : Bouton de contrôle de brûleur ExtraLow

Fonctionnement du brûleur ExtraLow^{mc}

- **XLO**, le réglage le plus bas, fonctionne par cycles d'une minute avec alternance de flamme allumée pendant environ 7 secondes suivies d'environ 53 secondes de flamme éteinte.
- Lorsque le bouton est réglé juste en dessous du repère **SIM**, la flamme reste allumée pendant environ 53 secondes et s'éteint pendant environ 7 secondes.
- Pour adapter le degré de chaleur aux aliments et à leur quantité, il est possible de régler le bouton sur n'importe quelle position dans l'intervalle entre **SIM** et **XLO** indiquée sur le bouton.
- Pour faire varier la faible chaleur requise en fonction de l'aliment et de la quantité, vous pouvez régler la commande à n'importe quel point entre **SIM** et **XLO** sur le bouton.

Techniques ExtraLow^{mc}

- Le type et la quantité d'aliments déterminent le réglage à utiliser.
- Le réglage est également déterminé par le type de récipient choisi. Ses dimensions, sa forme, le matériau et l'utilisation ou non d'un couvercle sont des facteurs qui influent sur l'homogénéité de la température de cuisson.
- Pour maintenir une chaleur basse ou pour faire mijoter, portez les aliments à ébullition. Remuez bien, couvrez le récipient, puis baissez le réglage en plaçant le bouton juste en dessous de **SIM**.
- Vérifiez régulièrement s'il est nécessaire de modifier le réglage.
- Si vous utilisez un récipient surdimensionné, vos aliments mijoteront principalement au centre de celui-ci. Pour homogénéiser la température de l'ensemble, remuez pour ramener les aliments se trouvant sur les bords vers le centre.
- Quand un plat mijote, il est normal de le brasser de temps à autre, surtout s'il doit mijoter pendant plusieurs heures, comme dans le cas de haricots ou d'une sauce à spaghetti maison.
- Quand vous baissez le réglage de la flamme, faites-le par petites étapes.
- Si le réglage est trop bas pour faire mijoter, portez de nouveau à ébullition avant de ramener le bouton sur un réglage plus fort.
- Il est normal de ne pas voir de bulles à la surface après avoir remué les aliments.
- Il peut y avoir des bulles quand la flamme est allumée, qui disparaissent quand elle est éteinte. Même quand elle est éteinte, de la vapeur et un léger frémissement seront perceptibles à la surface du liquide.

Rallumage automatique

Chaque brûleur comporte son propre allumeur électronique qui produit des étincelles lorsque le bouton est activé. Les brûleurs doivent s'allumer en 4 secondes ou moins. Si le brûleur ne s'allume pas, assurez-vous que le chapeau est correctement posé sur sa base.

Si un ou plusieurs brûleurs s'éteignent, l'allumeur électronique produit automatiquement des étincelles pour rallumer la flamme. Ne touchez pas aux brûleurs pendant que les allumeurs produisent des étincelles.

⚠ ATTENTION

Ne touchez pas les brûleurs pendant que les allumeurs produisent des étincelles.

IMPORTANT :

- Pour assurer une combustion adéquate, n'utilisez pas la surface de cuisson si la grille des brûleurs n'est pas en place.
- La combustion et l'allumage du brûleur produisent un léger bruit. Cela est normal.

Panne de courant

⚠ AVERTISSEMENT

En cas de panne de courant, mettez tous les boutons à la position OFF. Seuls les brûleurs standards STAR peuvent être allumés manuellement.

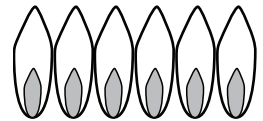
- En cas de panne de courant, seuls les brûleurs standards peuvent être allumés manuellement. Chacun d'eux doit être allumé individuellement.
- Si une panne de courant survient pendant que vous utilisez la cuisinière, tournez tous les boutons à la position OFF.
- Vous pouvez allumer les brûleurs STAR^{mc} standards en approchant une allumette enflammée près des orifices et en tournant le bouton à la position HI. Attendez que la flamme soit allumée tout autour du chapeau du brûleur avant de la régler à la hauteur voulue.
- Les brûleurs XLO ne peuvent être utilisés pendant une panne de courant. Assurez-vous de les éteindre.
- Si un brûleur ExtraLow est allumé pendant une panne de courant, il ne peut être remis en circuit tant que le bouton n'est pas réglé à la position OFF.
- La plaque chauffante et le gril ne peuvent être utilisés pendant une panne de courant.
- Si vous détectez une odeur de gaz, consultez les instructions de sécurité.

Hauteur de la flamme

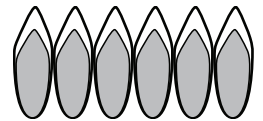
- La hauteur correcte de la flamme dépend : (1) de la taille et du matériau du récipient utilisé; (2) des aliments à cuire; et (3) de la quantité de liquide dans le récipient.
- La flamme ne doit pas dépasser les côtés de la base du récipient.
- Utilisez une flamme basse ou moyenne pour les récipients dont le matériau conduit lentement la chaleur, comme l'acier émaillé ou la vitrocéramique.

Description de la flamme

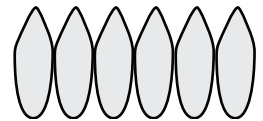
Flamme jaune :
Réglage nécessaire



Pointe jaune sur cône extérieur :
Normal pour gaz LP



Flamme bleue :
Normal pour gaz naturel



Si la flamme est complètement ou presque jaune, assurez-vous que le régulateur est réglé pour le combustible approprié. Après le réglage, vérifiez de nouveau.

Des rayures de couleur orangée sont normales pendant la mise en marche initiale. Laissez l'appareil fonctionner de 4 à 5 minutes et évaluez de nouveau avant d'effectuer les réglages.

Figure 16 : Caractéristiques des flammes

- La flamme des brûleurs doit être bleue sans pointe jaune. Elle devient parfois partiellement orange : cela indique que des impuretés flottant dans l'air sont en train de se consumer. Elles disparaîtront avec l'usage.
- Avec le gaz propane, il est normal qu'il y ait un peu de jaune dans le cône primaire.
- La flamme doit brûler tout autour du chapeau du brûleur. Si ce n'est pas le cas, assurez-vous que le chapeau est bien posé sur la base et que les orifices ne sont pas bouchés.
- La flamme doit être stable, ne pas voltiger ni faire de bruit excessif.

Récipients recommandés

⚠ MISE EN GARDE

Pour éviter tout risque de dommages sérieux à l'appareil ou à un récipient, observez les consignes suivantes:

- Les grands récipients, les plaques à biscuits, etc. ne doivent pas être utilisés sur la surface de cuisson.
- Placez les grandes casseroles de façon décalée lorsque vous utilisez la surface de cuisson.

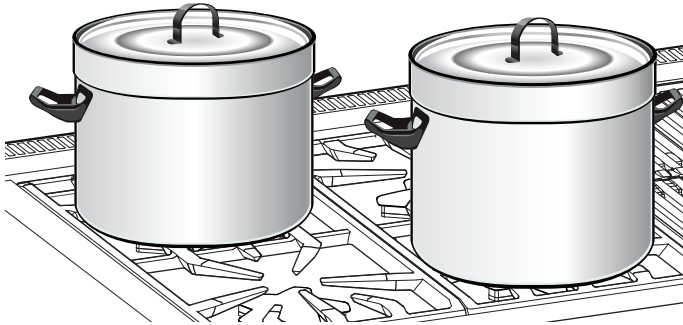


Figure 17 : Placez les grandes casseroles de façon décalée

- Choisissez une casserole dont la base correspond au diamètre de la flamme. La flamme doit être égale ou légèrement plus petite que la base du récipient. Des récipients surdimensionnés ou sous-dimensionnés nuisent aux résultats de la cuisson. Une base d'un diamètre de 5½ po (14 cm) est généralement la plus petite taille conseillée.
- Évitez d'utiliser un réglage de flamme intense lors de l'utilisation d'un poêlon plus grand que la grille ou qui occupe plus que l'espace d'un seul brûleur, comme une plaque, pour de longues périodes. Cela peut générer une mauvaise combustion et des vapeurs nocives.
- L'assise du récipient est un facteur important de stabilité et d'uniformité de la cuisson. La poignée ne doit pas être plus lourde que le récipient, car celui-ci pourrait pencher sur un côté. Le récipient doit reposer bien à plat sur la grille sans se balancer ni être instable.



Figure 18 : Récipient stable

- Les aliments enveloppés dans du papier aluminium ne doivent pas être placés directement sur la grille du brûleur, car l'aluminium peut fondre pendant la cuisson.

- Ne laissez pas du plastique, du papier ou du tissu entrer en contact avec une grille de brûleur chaude. Ils pourraient fondre ou s'enflammer.
- Ne laissez jamais une casserole cuire à sec. Vous pourriez endommager la casserole et la surface de cuisson.
- Des récipients de qualité professionnelle à poignée métallique sont recommandés, car les poignées en plastique risquent de fondre ou de se déformer si la flamme déborde du récipient. Des récipients de qualité professionnelle sont en vente dans les magasins de fournitures pour restaurant et dans les boutiques gastronomiques. Tous les récipients utilisés doivent posséder les caractéristiques suivantes : bonne conductivité de la chaleur, bonne assise, dimensions adéquates du diamètre de la base, base lourde et fond plat, et couvercle bien adapté.
- Pour de meilleurs résultats de cuisson, la flamme ne doit pas déborder du fond de la casserole.
- L'aluminium et le cuivre sont des matériaux qui conduisent la chaleur rapidement et uniformément. Le fond des récipients est souvent fabriqué avec ces métaux. Ils peuvent également être insérés entre des couches d'acier inoxydable.
- Un fond plat et lourd est plus stable lorsque chauffé. Les casseroles déformées, légères et bosselées ne permettent pas une cuisson uniforme. Chauffez et refroidissez les casseroles graduellement pour éviter les changements soudains de température, qui peuvent déformer les casseroles. Ne mettez pas d'eau froide dans une casserole chaude.

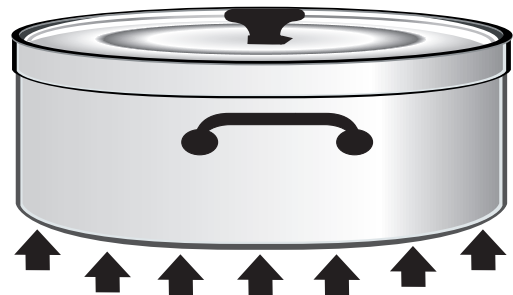


Figure 19 : Récipient à fond plat

- Un couvercle adapté au diamètre d'un récipient raccourcit le temps de cuisson et permet l'utilisation de réglages plus bas.

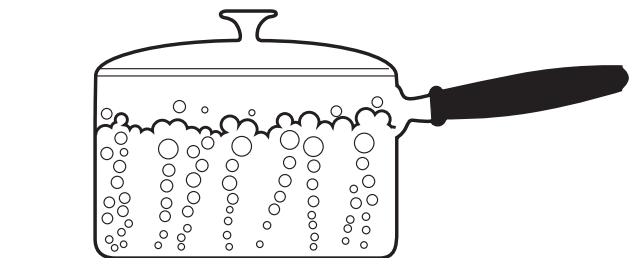


Figure 20 : Récipient à fond plat

Récipients pour spécialités

Woks

- Les woks à fond plat ou rond avec un anneau de support peuvent être utilisés sur tous les modèles. Un anneau de support doit être utilisé avec les woks à fond rond. Le wok et l'anneau à wok en fonte revêtu d'une couche de porcelaine sont vendus séparément.

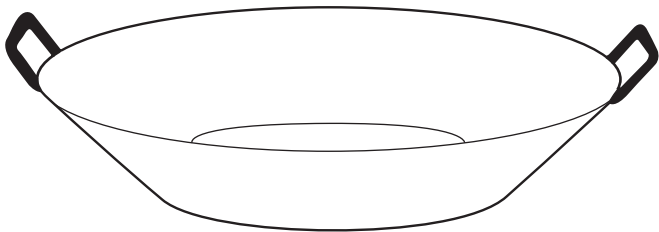


Figure 21 : Wok à fond plat

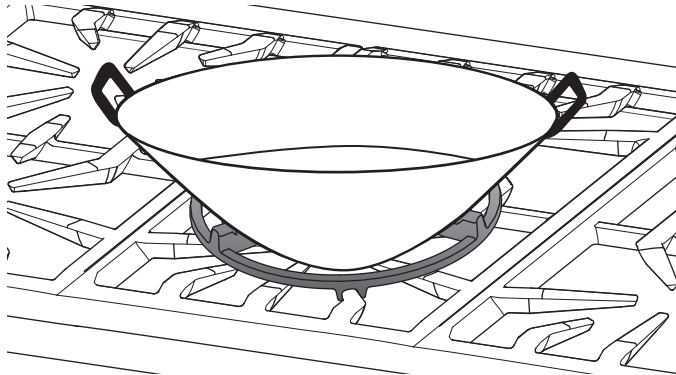


Figure 22 : Wok à fond rond dans un anneau de support

Cocottes et marmites

- Choisissez une base dont le diamètre dépasse au maximum de 2 po (51 mm) de la grille.

Bain-marie de dimensions standards

- 21 à 22 pintes (19,95 à 20,9 litres) avec une base de 11-12 po (279 à 305 mm) et une hauteur de 9 à 11 po (229 à 279 mm).

Cocotte-Minute de dimensions standards

- 8 à 22 pintes (7,6 à 20,9 litres) avec une base de 8 à 11 po (20,3 à 27,9 cm) et une hauteur de 6,5 à 12 po (165 à 305 mm).

Conseils d'utilisation:

- Il est préférable d'utiliser un récipient à fond plat qu'un récipient à fond concave, convexe ou ondulé.
- Si vous utilisez deux cocottes en même temps, placez-les sur des brûleurs décalés. Ne bloquez pas la circulation d'air autour des brûleurs. La flamme a besoin d'une certaine quantité d'air pour bien brûler.
- Mettez un couvercle sur la cocotte lorsque vous portez son contenu à ébullition.
- Quand le contenu bout au réglage HI, baissez la flamme le plus possible pour maintenir à ébullition ou maintenir la pression.
- La cuisson à la cocotte produit de grandes quantités de vapeur. Faites attention pour ne pas vous brûler.

Conseils de cuisson

Consultez le tableau des *page 66* pour vous guider. Les réglages à utiliser varient selon l'ustensile choisi et la température initiale des aliments.

Dans le tableau, le « Réglage final » est séparé pour les brûleurs standards et les brûleurs ExtraLow^{mc}. Selon le cas, ce réglage sera identique ou différent.

Le réglage ExtraLow des brûleurs STAR^{mc} peut être un réglage de cuisson ou de maintien de température.

Augmentez ou diminuez la flamme progressivement. Laissez le temps au récipient et aux aliments de réagir au nouveau réglage.

Conseils de cuisson – Brûleurs de la table de cuisson

ALIMENTS	RÉGLAGE INITIAL	RÉGLAGE FINAL – BRÛLEURS STANDARDS	RÉGLAGE FINAL – BRÛLEURS EXTRALOW ^{MC} (XLO)
BOISSONS Cacao	MED – Chauffer le lait, couvrir	SIM – Finir de chauffer	XLO – Maintenir au chaud, couvrir
PAIN Pain doré Crêpes Sandwiches grillés	MED – Préchauffer le poêlon	SIM à MED – cuire	Identique aux brûleurs standards
BEURRE À fondre	SIM – pour commencer à faire fondre		Laisser fondre pendant 5 à 10 minutes
CÉRÉALES Semoule de maïs, gruau, avoine	HI – Couvrir, porter l'eau à ébullition, ajouter les céréales	SIM à MED – terminer la cuisson selon les instructions sur l'emballage.	XLO – Pour maintenir la température, couvrir*
CHOCOLAT À fondre	XLO – peut être remué pour faire fondre plus vite		XLO – Laisser fondre pendant 10 à 15 minutes. XLO – Pour maintenir la température
DESSERTS Bonbons	SIM à MED – cuire selon la recette	SIM à MED	Identique aux brûleurs standards
Pouding et mélange pour garniture à tarte	SIM à MED SIM – suivre les indications sur l'emballage	SIM	Identique aux brûleurs standards
Pudding	SIM à MED SIM – Faire bouillir le lait	SIM	Identique aux brûleurs standards
OEUFS À la coque	MED HI – couvrir les œufs avec de l'eau, couvrir, porter l'eau à ébullition		XLO – 3 à 4 minutes pour œufs mollets; 15 à 20 minutes pour œufs durs
Frits, brouillés	SIM à MED – Faire fondre le beurre, ajouter les œufs	SIM – pour terminer la cuisson	Identique aux brûleurs standards
Pochés	HI – Porter à ébullition, ajouter les œufs	SIM à MED – pour terminer la cuisson	Identique aux brûleurs standards
VIANDE, POISSON, VOLAILLES Bacon, Saucisses, galettes	HI – Jusqu'à ce que la viande commence à grésiller	SIM à MED – pour terminer la cuisson	Identique aux brûleurs standards
Braiser : steak suisse, rôti à la cocotte, ragoût	MED HI – Faire fondre la graisse, faire revenir à MED HI à HI , ajouter du liquide, couvrir		XLO Laisser mijoter jusqu'à ce que la viande soit tendre
Grillade rapide au poêlon; steaks pour déjeuner	MED HI – préchauffer le poêlon	MED à MED HI – frire rapidement au poêlon	Identique aux brûleurs standards
Friture : poulet	MED HI – Faire chauffer l'huile puis faire dorer à MED	SIM – couvrir pour terminer la cuisson	Identique aux brûleurs standards
Grande friture : crevettes	MED HI – Faire chauffer l'huile	MED à MED HI – pour maintenir la température	Identique aux brûleurs standards

ALIMENTS	RÉGLAGE INITIAL	RÉGLAGE FINAL – BRÛLEURS STANDARDS	RÉGLAGE FINAL – BRÛLEURS EXTRALOW ^{MC} (XLO)
Grillade au poêlon : côtelettes d'agneau, steaks minces, hamburgers, saucisses en chapelet	MED HI – Préchauffer le poêlon	MED – pour brunir la viande	Identique aux brûleurs standards XLO – pour maintenir
Pocher : poulet, entier ou morceaux, poisson	MED HI – Couvrir, porter à ébullition		Pour terminer la cuisson
Faire mijoter : poulet à l'étouffée, corned-beef, langue, etc.	HI – Couvrir, porter à ébullition		XLO - Pour mijoter lentement XLO - Pour maintenir la chaleur, couvrir
PÂTES Macaronis, nouilles, spaghettis	HI – Porter l'eau à ébullition, ajouter les pâtes	MED à HI – pour maintenir à ébullition	Identique aux brûleurs standards
COCOTTE-MINUTE Viande	MED HI à HI – faire monter la pression	SIM à MED – maintenir la pression	Identique aux brûleurs standards
Légumes	HI – faire monter la pression	MED SIM à MED – maintenir la pression	Identique aux brûleurs standards
RIZ	HI – Couvrir, porter l'eau et le riz à ébullition.	Réduire la chaleur à SIM . Couvrir et faire cuire jusqu'à ce que l'eau soit absorbée	Faire cuire selon les instructions du sachet XLO – Pour maintenir la chaleur, couvrir
SAUCES Sauce tomate	MED HI – cuire la viande/les légumes selon la recette	SIM pour faire mijoter	XLO – laisser mijoter sans couvercle pour que la sauce épaississe
Sauce blanche, à la crème, béarnaise	MED – Faire fondre la graisse, suivre la recette	SIM – pour terminer la cuisson	XLO – Pour maintenir la chaleur, couvrir
Hollandaise	XLO		XLO – Pour maintenir la chaleur, réglage le plus bas
SOUPES, BOUILLONS	HI – Couvrir, porter à ébullition	SIM pour faire mijoter	Mijoter à XLO – Pour maintenir la chaleur, couvrir
LÉGUMES Frais	HI – Couvrir, porter l'eau et les légumes à ébullition	SIM à MED – faire cuire 10 minutes ou jusqu'à ce qu'ils soient tendres	Identique aux brûleurs standards XLO – pour maintenir la chaleur, couvrir
Congelés	HI – Couvrir, porter l'eau et les légumes à ébullition	SIM à MED – faire cuire selon les instructions du paquet	Identique aux brûleurs standards
Grande friture	HI – Faire chauffer l'huile	MED à MED HI – pour conserver la température de friture	Identique aux brûleurs standards
Sautés	MED HI – Faire chauffer l'huile ou faire fondre le beurre, ajouter les légumes	SIM à MED – laisser cuire jusqu'au point de cuisson désiré	Identique aux brûleurs standards
Revenus à la poêle	HI – Faire chauffer l'huile, ajouter les légumes	HI à HI – pour terminer la cuisson	Identique aux brûleurs standards

Utilisation de la plaque chauffante électrique (disponible avec certains modèles)

Description

La plaque chauffante encastrée est faite d'aluminium de qualité professionnelle avec un fini antiadhésif. Cela donne une surface facile à nettoyer où la chaleur se répand de façon uniforme.

Une planche à découper en érable, un couvercle en acier inoxydable et un gril avec revêtement en aluminium sont disponibles comme accessoires et peuvent être achetés séparément. La planche à découper en érable et le couvercle en acier inoxydable sont conçus pour s'ajuster à la surface lorsque la plaque n'est pas utilisée. Le gril avec revêtement en aluminium est conçu pour remplacer la plaque chauffante. Consultez les instructions de la plaque chauffante pour obtenir de plus amples détails.

La planche à découper et le couvercle doivent être enlevés avant d'utiliser la plaque chauffante.

⚠ AVERTISSEMENT

L'élément de la plaque chauffante reste chaud après utilisation. Prévoyez suffisamment de temps pour que tous ses composants refroidissent avant de les nettoyer.

⚠ MISE EN GARDE

Pour éviter tout risque de blessure, n'utilisez **JAMAIS** la plaque chauffante sans sa plaque. N'utilisez **JAMAIS** la plaque chauffante d'une manière non indiquée dans le guide d'utilisation et d'entretien.

Le plateau (ou le gril) doit toujours être en place lors de l'utilisation de la plaque chauffante.

La plaque chauffante est ajustée électroniquement aux températures indiquées sur les boutons, de 150°F à 500°F (66°C à 260°C).

Il n'y a pas de réglages fixes sur les boutons.

Préparation de la plaque

1. Avant d'être utilisée, la plaque chauffante doit être lavée à l'eau chaude savonneuse, puis rincée à l'eau claire.
2. Assurez-vous que la plaque chauffante est bien ajustée en versant deux cuillerées d'eau à l'arrière de la plaque.
 - L'eau devrait lentement couler vers les collecteurs de graisse.
3. Déplacer de la plaque chauffante sur le côté (Figure 23).

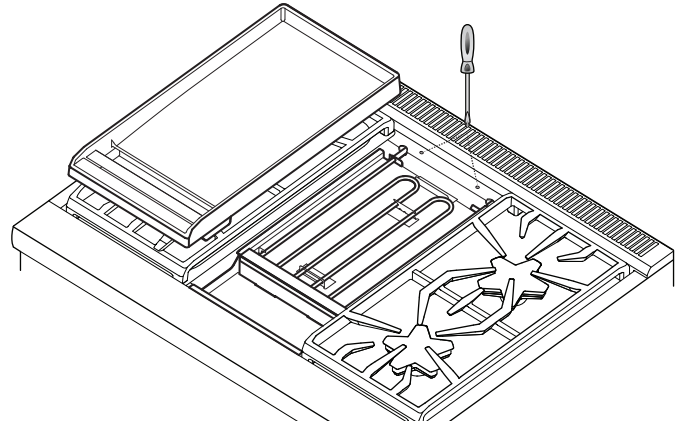


Figure 23 : Vis de nivelage de la plaque chauffante

4. Ajustez les deux vis situées sous la plaque, à l'arrière de celle-ci. Commencez par dévisser les vis d'un demi-tour.
5. Les ajustements subséquents devraient se faire par quart de tour jusqu'à ce que l'eau coule dans les collecteurs de graisse.

La plaque peut être utilisée sans beurre, margarine ou huile. Toutefois, une petite quantité peut être utilisée pour donner du goût aux aliments.

N'utilisez PAS des ustensiles métalliques sur la surface de la plaque chauffante. Prenez garde de ne pas endommager la surface avec les ustensiles. Ne coupez pas directement d'aliments sur la plaque chauffante.

AVIS : Le rendement de la plaque chauffante ou du gril peut varier si la circulation d'air près de l'appareil est trop élevée. Une circulation d'air excessive pourrait provenir d'un ventilateur de plafond ou d'un appareil de climatisation soufflant sur la surface de cuisson. Cela pourrait prolonger le temps d'échauffement ou faire en sorte que la température de la plaque chauffante ne corresponde pas à ce que le réglage des boutons de commande indique.

NOTE : Une hotte dûment installée n'est pas considérée comme une source de circulation d'air excessive.

Cuisson sur la plaque chauffante

1. Tournez le bouton à la température de cuisson appropriée pour préchauffer la plaque chauffante.
2. Préchauffez-la jusqu'à ce que le témoin de la plaque s'éteigne.
3. Ajoutez du beurre, de la margarine, de l'huile ou de la graisse végétale, si désiré.

Ne faites PAS chauffer d'ustensiles de cuisson sur la plaque à griller.

Conseils de cuisson plaque chauffante

ALIMENT	RÉGLAGE
Œufs	325°F – 350°F
Bacon, saucisses à déjeuner	450°F – 475°F
Sandwichs grillés	375°F – 400°F
Poitrines de poulet désossées	425°F – 450°F
Côtelettes de porc désossées de 1 po (25,4 mm) d'épaisseur	425°F – 450°F
Steaks de 1 po (25,4 mm) d'épaisseur	450°F – 475°F
Boulettes de bœuf haché de 6 onces	450°F – 475°F
Boulettes de dinde hachée, 6 onces	450°F – 475°F
Hot Dogs	350°F – 375°F
Tranches de jambon de 1/2 po (12,7 mm) d'épaisseur	350°F – 375°F
Crêpes, pain doré	400°F – 425°F
Pommes de terre, pommes de terre rissolées	400°F – 425°F

* Pour garantir une cuisson uniforme, assurez-vous que l'épaisseur des aliments est uniforme.

Utilisez le réglage de température le plus bas possible. Vous pourriez avoir à modifier les recettes, car le revêtement antiadhérent brunit et saisit les aliments à de basses températures.

Plateau à graisse de la plaque chauffante

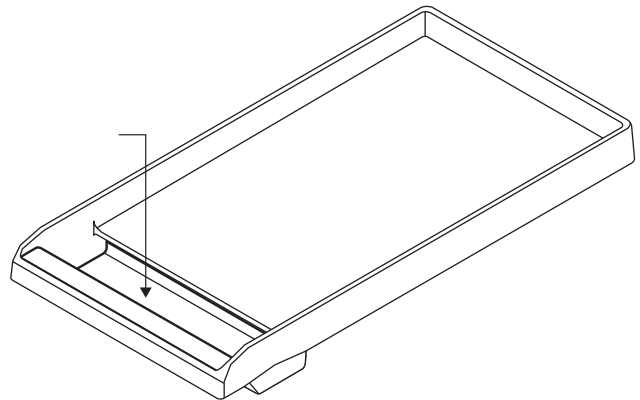


Figure 24 : Plateau à graisse

- Nettoyez le plateau à graisse après chaque utilisation. Lorsque vous le retirez en l'inclinant, faites attention pour ne pas que son contenu se déverse.
- Le plateau de la plaque chauffante et son plateau à graisse sont lavables au lave-vaisselle.
- Lorsqu'elle a refroidi, versez la graisse dans un contenant résistant à la graisse avant de la jeter.

Recommandations pour le nettoyage

- N'immergez **JAMAIS** une plaque chauffante chaude dans l'eau froide. La plaque d'aluminium pourrait gondoler ou se fissurer.
- Ne nettoyez **AUCUNE** partie du gril ou de la plaque chauffante dans le four en mode autonettoyage.
- Prenez garde de ne pas endommager la surface avec les ustensiles.
 - Ne coupez pas directement d'aliments sur la plaque chauffante.
 - Ne pas utiliser des ustensiles en métal.
 - Utilisez des ustensiles de plastique ou de bois pour éviter d'égratigner la surface antiadhérente.
- Vous pouvez laver la plaque chauffante au lave-vaisselle. Cependant, nous recommandons de la laver à la main.

Instructions de graissage de la plaque chauffante

Si la plaque chauffante perd ses propriétés antiadhérentes au fil du temps, suivez les instructions suivantes pour les lui redonner. Pour assurer le rendement optimal et la longévité de votre plaque chauffante, suivez ces instructions simples de nettoyage et de graissage.

Préparation de la plaque chauffante pour le graissage

La plaque chauffante doit être propre et tous les résidus doivent être enlevés avant de procéder au graissage.

1. Utilisez un mélange de gros sel avec un peu de vinaigre blanc pour déloger les résidus de la plaque chauffante.

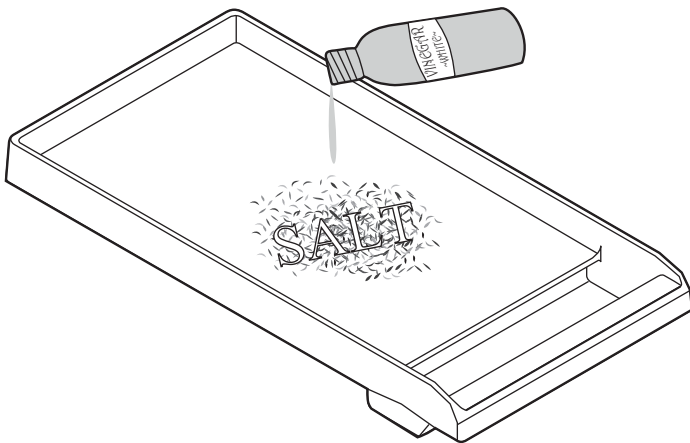


Figure 25 : Préparation de la plaque chauffante

2. Rincez en profondeur avec de l'eau claire.
3. Séchez totalement la plaque chauffante.

Graissage de la plaque chauffante

Le graissage est un processus par lequel une couche de graisse animale ou d'huile végétale est appliquée et cuite sur un ustensile de cuisson. La couche d'huile fournit une surface antiadhérente.

1. Utilisez un essuie-tout pour appliquer une couche mince et uniforme de lard, de Crisco^{mc}, ou d'huile d'olive sur la surface de la plaque chauffante.

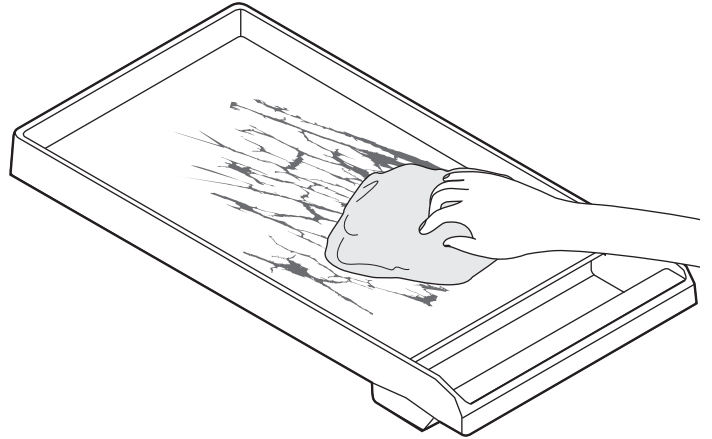


Figure 26 : Graissage de la plaque chauffante

2. Faites cuire la plaque chauffante à 350 °F pendant une heure.
3. Retirez la plaque chauffante du four et laissez-la refroidir à la température ambiante.
4. Appliquez une deuxième couche de graisse ou d'huile et faites cuire la plaque chauffante à 350 °F pendant une autre heure.
5. Répétez le processus au moins une autre fois pour un total de trois couches d'huile ou de graisse.

Après le graissage

1. Après avoir fait cuire votre plaque chauffante, laissez-la refroidir et nettoyez-la avec un chiffon humide. Laissez-la sécher.
2. Ajoutez une mince couche d'huile ou de graisse avant d'entreposer la plaque chauffante dans un endroit frais et sec.
3. Ce processus redonnera à la plaque chauffante ses propriétés antiadhérentes. Le rendement de la plaque chauffante s'améliorera avec d'autres graissages.
4. Pour dégraisser la plaque chauffante avant de procéder à son graissage, utilisez un mélange de sel et de vinaigre.

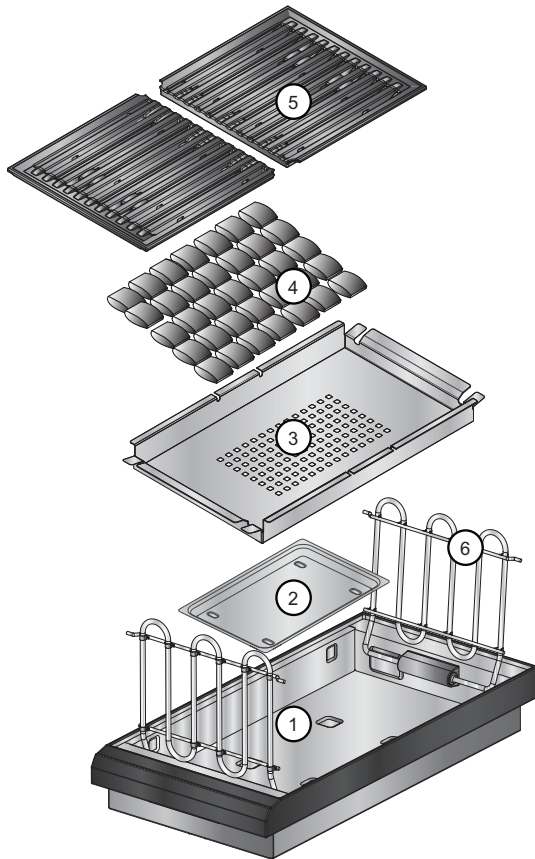
Utilisation du gril électrique (disponible sur certains modèles)

Description

Les grilles du gril encastrable sont faites de fonte de qualité professionnelle. Ce métal fait en sorte que les grilles répartissent uniformément la chaleur et sont faciles à nettoyer.

Il est possible d'installer une plaque chauffante de fonte antiadhérente (*PAGRIDDLEN*), vendue séparément. Consultez les instructions de l'accessoire de la plaque chauffante pour obtenir plus de détails.

Assemblage du gril



1. Boîtier du gril
2. Plateau à graisse
3. Panier des briquettes de céramique
4. Briquettes de céramique
5. Grilles du gril (x2)
6. Éléments (x2)

1. Effectuez la rotation des éléments (6) et enlevez le briquettes de céramique (3) se trouvant à l'intérieur du boîtier du gril (1).
2. Installez le plateau à graisse (2) sous le boîtier du gril (1). (Le plateau à graisse est emballé dans la grande boîte en carton qui se trouvait sur le dessus de la cuisinière.) Alignez les saillies du plateau à graisse (2) avec les cavités situées sous le boîtier (1).
3. Mettez le briquettes de céramique (4) dans le boîtier du gril (1).
4. Disposez les briquettes de céramique (4) dans le panier à briquettes (3), en une seule couche, de façon à ce que chacune d'elles touche les autres briquettes adjacentes. Les briquettes de céramique ne doivent pas entrer en contact avec les éléments chauffants.
5. Rabattez les deux éléments chauffants du gril vers le bas (6). Les éléments chauffants du gril doivent être à plat. Les supports doivent reposer à l'intérieur des crans latéraux.
6. Installez les grilles du gril (5). Assurez-vous que les grilles sont installées de niveau dans le boîtier du gril (1).

▲ AVERTISSEMENT

- Pour éviter tout risque de blessure, ne faites **JAMAIS** fonctionner le gril s'il n'y a pas de grilles ou de plaque chauffante installées.
- Ne laissez **JAMAIS** le gril sans surveillance lorsque vous cuisinez.
- Faites attention lorsque vous utilisez de l'huile et de la graisse. Lorsqu'ils sont surchauffés, les huiles et la graisse peuvent provoquer des incendies.
- N'utilisez PAS de copeaux de bois, pierres de lave, ou de briquettes de charbon. N'utilisez que les briquettes de céramique (*PABRICKBKN*) recommandées.
- N'utilisez PAS de plats, casseroles, poêlons ou autre ustensile sur le gril.
- **N'utilisez jamais du papier d'aluminium pour couvrir les grilles ou envelopper le gril.** Vous pourriez endommager le gril et causer un incendie si de la chaleur reste emprisonnée.
- Vérifiez le plateau à graisse avant chaque utilisation. Une trop grande quantité de graisse dans le plateau peut causer un risque d'incendie.
- Si des flammes apparaissent, nettoyez le gras accumulé sur les grilles, le plateau à graisse, le panier des briquettes de céramique et les autres surfaces.
- L'accumulation de graisse favorise la formation de flammes et de fumée pendant la cuisson.
- Vous devez remplacer les briquettes de céramique lorsqu'elles sont noires, ce qui signifie qu'elles sont saturées de gras. Elles peuvent alors générer beaucoup de fumée ou prendre feu pendant le fonctionnement de l'appareil.

Figure 27 : Assemblage du gril

- Lavez les grilles du gril avec de l'eau chaude savonneuse, puis rincez-les à l'eau claire avant chaque utilisation.

IMPORTANT :

- Si des flammes se forment pendant l'utilisation du gril, éteignez l'appareil et retirez les aliments. Prenez garde de ne pas vous blesser lorsque vous retirez les aliments.
- Souvent, les flammes s'éteignent d'elles-mêmes en quelques minutes une fois que les accumulations de graisse se sont consumées. Ne laissez pas le gril sans surveillance avant que les flammes ne se soient éteintes. Vous pouvez étouffer les flammes en les saupoudrant d'une généreuse couche de bicarbonate de soude ou de sel.
- Si des flammes se forment, vous devriez remplacer les pierres à lave ou les briquettes de céramique et nettoyer le gras accumulé sur les grilles, le plateau à graisse, le panier briquettes de céramique et les autres surfaces avant d'utiliser à nouveau le gril. Les accumulations de graisse favorisent la formation de flammes et de fumée pendant la cuisson.
- Séchez les aliments humides avant de les mettre sur le gril.
- Plus un aliment est humide, plus il est susceptible de produire de la fumée.
- Lorsque vous utilisez le gril, la graisse qui s'échappe des aliments peut s'enflammer brièvement.

⚠ AVERTISSEMENT

POUR ÉVITER TOUT RISQUE DE BRÛLURE :

- Utilisez les ustensiles appropriés avec de longues poignées qui vous permettent de manier les aliments loin de la chaleur et des flammes.
- **NE** portez **PAS** de vêtements amples lorsque vous cuisinez.
- Ne laissez jamais le gril sans surveillance lorsque vous cuisinez.
- Après chaque utilisation, enlevez les accumulations de graisse sur la surface du gril et dans les plateaux à graisse pour réduire les risques d'incendie. Vous devriez également nettoyer régulièrement la hotte et les surfaces adjacentes au gril selon les recommandations du manuel d'utilisation.
- Gardez un extincteur à portée de la main.

- Les commandes électroniques du gril permettent d'ajuster l'intensité de LOW à HIGH. Les boutons ne sont pas munis de réglages fixes.
- Les deux éléments chauffants du gril peuvent être ajustés séparément. Cela vous permet de faire griller des aliments à deux températures différentes en même temps. Aussi, vous pouvez utiliser une partie pour faire griller les aliments et l'autre partie pour les garder chauds.

3. Lors de la première utilisation, faites chauffer le gril pendant environ dix minutes pour éliminer les résidus de fabrication et libérer les mauvaises odeurs.
4. Pour obtenir de meilleurs résultats, préchauffez le gril avant de faire cuire des aliments.

⚠ ATTENTION

Nettoyez le gril après chaque utilisation. Laissez à l'appareil le temps de refroidir avant de le nettoyer.

Conseils de grillade

- Préchauffez toujours le gril. Lorsque vous cuisinez à la puissance maximale, préchauffez le gril à HIGH pendant dix minutes. Lorsque vous cuisinez à intensité moyenne, préchauffez le gril à HIGH pendant cinq minutes, puis réduisez la température une fois que les aliments sont sur le gril.
- Faites tremper les brochettes de bois dans de l'eau pendant au moins 20 minutes avant de les mettre sur le gril.
- Avant de faire griller des aliments, vous pouvez les badigeonner d'huile résistant à la chaleur (comme de l'huile d'arachides) ou les faire mariner. Assurez-vous de ne pas utiliser trop d'huile ou de marinade, sans quoi les aliments pourraient prendre feu et produire beaucoup de fumée.
- Déposez les aliments directement sur les grilles du gril. N'utilisez pas de papier d'aluminium ou de plateaux.
- La viande salaisonnée, comme le jambon ou les côtelettes de porc fumées, n'est pas faite pour être grillée. Des composés chimiques mauvais pour la santé peuvent se former lors de leur cuisson sur le gril.
- Pour éviter que les aliments ne s'enflamment, enlevez l'excédent de gras avant de les faire griller.
- N'utilisez PAS de produits nettoyants sur les éléments. S'il y a de la graisse sur les éléments, laissez-leur le temps de brûler.
- Pour absorber le gras de la plaque chauffante, saupoudrez-la avec du gros sel après chaque utilisation.

Fonctionnement du gril

1. Avant d'allumer l'appareil, assurez-vous qu'il y a des briquettes de céramique l'appareil et que les deux grilles du gril sont correctement installées.
2. Appuyez sur le bouton de réglage de température et tournez-le à la température souhaitée.

Recommandations pour la cuisson sur le gril

IMPORTANT :

- **VOUS NE DEVRIEZ PAS UTILISER LE GRIL SANS UNE VENTILATION ADÉQUATE.**
- **Vous ne devriez pas préparer d'aliments à forte teneur en gras sur un gril intérieur. Le fait de faire griller des aliments à forte teneur en gras (comme certains types de bœuf haché, saucisses, etc.) augmente les possibilités de formation de fumées et de flammes.**

ALIMENT*	RÉGLAGE**	TEMPS DE CUISSON (MINUTES)	NOTES
BŒUF			
Hamburgers, ¾" (2 cm) (à point)	HIGH	12 – 14	Tourner une fois que du jus apparaît à la surface.
Steak d'ailon, 1½" (4 cm) (à point)	HIGH	20 – 22	Enlever l'excédent de graisse.
Faux-filet ou surlonge, 1" (3 cm) (à point)	HIGH	10 – 12	Enlever l'excédent de graisse.
Brochettes, steak (à point)	HIGH	24 – 28	Tourner de temps en temps.
PORC			
Côtelettes de porc, ¾" (2 cm)	HIGH	16 – 20	Enlever l'excédent de graisse.
Saucisses ou Bratwurst	MED HIGH	16 – 20	Percer avant de griller.
Hot Dogs	HIGH	6 – 8	Placer horizontalement sur le gril.
VOLAILLE			
Cuisses et pilons	MED HIGH	34 – 38	Tourner de temps en temps, enlever l'excédent de peau.
Ailes de poulet, entières	MED HIGH	18 – 22	Tourner de temps en temps.
Poitrines de poulet sans os, ½" (1 cm)	MED HIGH	20 – 24	Couper en filets de la même épaisseur avant de faire cuire.
Brochettes, poulet	HIGH	30 – 33	Tourner de temps en temps.
FRUITS DE MER			
Darnes, 2" (6 cm)	MED HIGH	18 – 20	Badigeonner d'huile avant de faire griller.
Filets de poisson, ¾" (2 cm)	MED HIGH	16 – 20	Badigeonner d'huile avant de faire griller.
Brochettes de crevettes	MED HIGH	10 – 14	Tourner de temps en temps.
FRUITS ET LÉGUMES FRAIS			
Champignons portobello	HIGH	8 – 10	Badigeonner d'huile.
Poivrons, quartiers	HIGH	8 – 10	Tourner de temps en temps.
Aubergine en tranches, ½" (1 cm)	HIGH	8 – 10	Badigeonner avec un peu d'huile.
Tomates, coupées en deux	HIGH	8 – 10	Badigeonner d'huile.
Ananas en tranches	HIGH	4 – 6	—
Pêches, coupées en deux	HIGH	4 – 6	—
AUTRE			
Pains à hot dog ou hamburger	MED HIGH	4 – 6	Badigeonner de beurre.
Tofu ferme en tranches	MED HIGH	8 – 12	Mettre en brochette pour une grillade facile.
* Pour une cuisson uniforme, veuillez bien répartir les aliments sur la surface de cuisson.			
** Les réglages apparaissant dans le tableau ne devraient être considérés que comme des lignes directrices puisque la quantité de chaleur requise peut varier selon le type et l'état des aliments.			

Utilisation du Four

Fonctionnement du four

Position des grilles pour la cuisson

Les positions des grilles de four sont numérotées comme un ascenseur. Le numéro un est la position la plus basse et le numéro cinq est celle la plus haute.

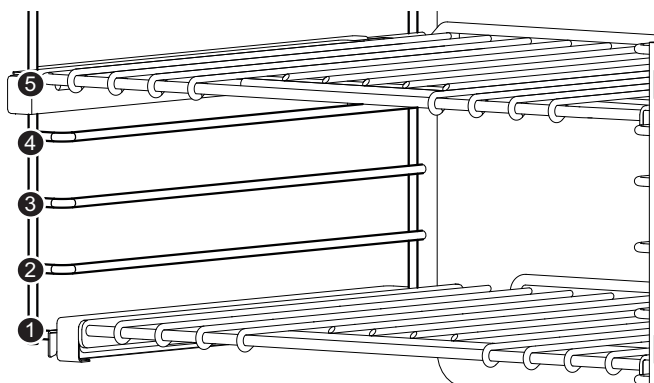


Figure 28 : Four principal positions des grilles

NOTE : Les recommandations relatives à la position des grilles s'appliquent à la cuisson au four; toutefois, si une recette suggère une position de grille différente, vous devriez suivre la recette ou les instructions de l'emballage.

Four auxiliaire (modèle de 48 po)

Niveau	Mode BAKE
#3	-- Les meilleurs résultats s'obtiennent avec la position de grille numéro 3.
#2	-- Pour des plats plus hauts. -- L'utilisation de la position numéro 2 pour les tartes permettra d'obtenir une pâte croustillante sans que le dessus soit trop cuit.

Cuisson avec une seule grille – four principal

Niveau	Mode BAKE
#3	-- Les meilleurs résultats s'obtiennent avec la position de grille numéro 3.
#2	-- Si l'aliment occupe beaucoup de place, comme un gâteau des anges. -- Les tartes cuisent mieux à la position 2. Le fond de la pâte devient ainsi croustillant sans que le dessus de la tarte ne soit trop doré. -- Pour faire rôtir de gros morceaux de viande ou de volaille, comme une côte de bœuf ou une dinde.

Cuisson avec deux grilles – principal du four

Niveau	Mode BAKE or CONVEC BAKE
#2 & #4 mixtes #3 & #5 gaz	-- Casserole

Cuisson avec trois grilles dans le four principal

Pour la cuisson avec trois grilles, le mode Convection Bake (Cuisson par convection) doit être utilisé.

Optimisation des résultats

- Réduisez au maximum le temps d'ouverture de la porte
- Choisissez une rôtissoire de taille adéquate; utilisez le récipient recommandé dans la recette.
- Sortez les lèchefrites du four. Une lèchefrite supplémentaire sans aliments nuira au dorage et à la cuisson.
- Le dorage dépend du type d'ustensile utilisé.
 - Pour obtenir des croûtes tendres, légèrement dorées, utilisez des rôtissoires antiadhésives/ anodisées ou en métal brillant.
 - Pour des croûtes croustillantes plus dorées, utilisez des rôtissoires métalliques noires antiadhésives/anodisées ou noires étamées ou encore en verre convenant aux fours. La température de cuisson requise pourra être abaissée de 14°C (25°F).
 - La plupart des temps de cuisson des recettes tiennent pour acquis que le four a été préchauffé et requièrent du four qu'il ait atteint une certaine température avant que ne commence la cuisson. Rapportez-vous à la recette pour connaître les recommandations de préchauffage.
 - Le temps de préchauffage dépend du réglage de température et du nombre de grilles utilisées dans le four.

Plats pour le four

- Plats en métal (avec ou sans revêtement antiadhésif), verre résistant à la chaleur, vitrocéramique, terre cuite ou autres récipients allant au four.
- Les plaques à biscuits adaptées ont un petit rebord d'un seul côté. Les tôles épaisses ou celles qui ont plus d'un côté peuvent modifier le temps de cuisson.

Placement des plats

- Laissez un espace d'au moins 25 mm (1 po) entre les plats et les parois du four pour que la chaleur puisse circuler.

- Espacez les plats de sorte qu'ils ne se trouvent pas l'un au-dessus de l'autre. Laissez 38 mm (1½ po) au-dessus et en dessous de chaque plat.

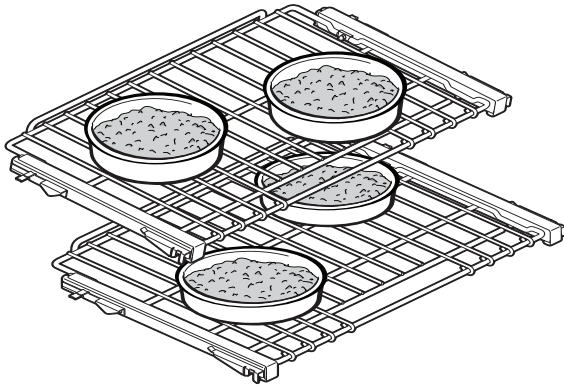


Figure 29 : Placement des plats - cuisinière mixte

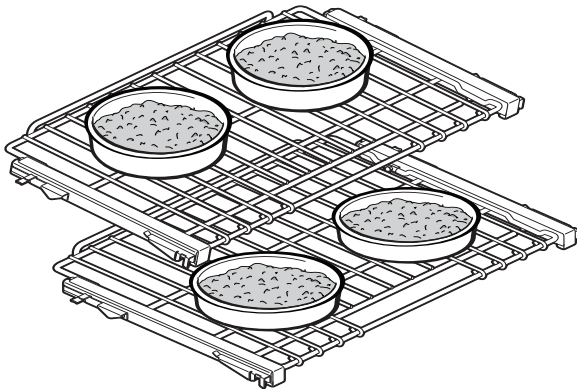


Figure 30 : Placement des plats - cuisinière à gaz

Réglages de cuisson/cuisson par convection

Réglage du four à BAKE ou CONV BAKE

- Sélectionnez **BAKE (CUISSON)** ou **CONV BAKE (CUISSON PAR CONVECTION)** à l'aide du sélecteur.

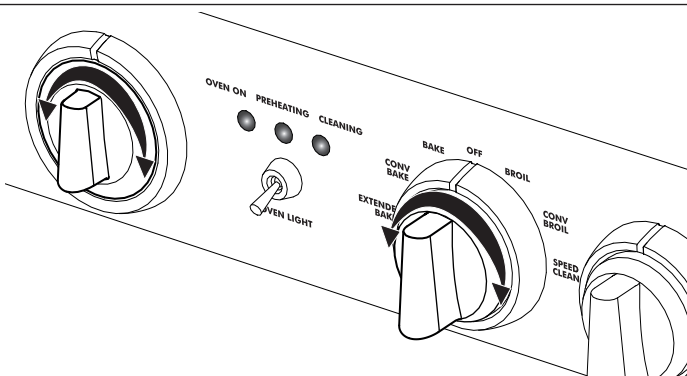


Figure 31 : Bouton de contrôle du four (l'apparence varie)

- Réglez la température du four à l'aide du bouton de commande.

- Les voyants **OVEN (FOUR)** et **PREHEATING (PRÉCHAUFFAGE)** s'allument.

OVEN ON PREHEATING CLEANING



- Le four est préchauffé lorsque le voyant **PREHEATING (PRÉCHAUFFAGE)** s'éteint pour la première fois.

OVEN ON PREHEATING CLEANING



- Le voyant **OVEN ON** (four allumé) reste allumé pendant l'utilisation d'un mode de cuisson actif, jusqu'à ce que l'un ou l'autre des boutons du four soit réglé à la position **OFF**.

REMARQUE : L'éclairage du four s'active par un interrupteur séparé, indépendant de tout autre réglage de contrôle.

Extended bake (Cuisson prolongée)

Ce mode de cuisson unique vise à aider l'utilisateur à se conformer aux principes du Shabbath.

- Choisissez le mode **EXTENDED BAKE** à l'aide du bouton de sélection de mode.
- Réglez la température du four à l'aide du bouton de sélection de température.
 - La PHASE DE PRÉCHAUFFAGE est la même que pour les autres modes de CUISSON. Une fois que le four est préchauffé à la température présélectionnée, le cycle de vingt-deux (22) minutes de cuisson prolongée commence.
 - La cuisson de la ACTIVE PHASE est, comme d'habitude, de dix-neuf (19) minutes, sauf durant les deux dernières minutes, les témoins lumineux **OVEN ON** (four allumé) et **PREHEATING** (préchauffage) clignotent lentement (par intermittence de trois secondes) pour vous avertir que la phase finale va commencer.

OVEN ON PREHEATING CLEANING



- PHASE D'ACCÈS (four au ralenti) :** Lorsque les deux témoins lumineux cessent de clignoter (les deux restent allumés), les trois dernières minutes permettent à l'utilisateur du mode Shabbath d'avoir accès au four sans changer le fonctionnement de la cuisinière. Les

éléments de chauffage restent éteints pendant cette phase.

Conseils de cuisson au four

ALIMENTS	RÉGLAGE DE TEMPÉRATURE	NIVEAU
Biscuits	375°F (190°C)	3
Gâteaux fourrés	350°F (180°C)	3
Feuilletés	350°F (180°C)	3
Gâteaux Bundt™	325°F (165°C)	3
Carrés au chocolat	325°F (165°C)	3
Biscuits	425°F (220°C) ou instructions de l'emballage	3
Préparation rapide pour pain	350°F (180°C)	3
Muffins	425°F (220°C)	3
Tartes aux fruits	425°F (220°C)	2
Pavés aux fruits	400°F (205°C)	3
Pain à la levure, miches	350°F (180°C)	3
Petits pains	375°F (190°C)	3
Rouleaux cannelle	375°F (190°C)	3
Gâteau danois	375°F (190°C)	3

NOTE : Les recommandations relatives à la position des grilles s'appliquent à la cuisson au four; toutefois, si une recette suggère une position de grille différente, vous devriez suivre la recette ou les instructions de l'emballage.

⚠ AVERTISSEMENT

SALUBRITÉ ALIMENTAIRE – Le ministère de l'Agriculture américain vous conseille de NE PAS CONSERVER d'aliments à des températures comprises entre 4°C (40°F) et 60°C (140°F) pendant plus de deux heures. Il n'est pas conseillé de faire cuire des aliments crus à des températures inférieures à 135°C (275°F).

Fonctionnement automatique de la soufflerie de refroidissement :

Le ventilateur de refroidissement s'active seulement si le four atteint 300°F (149°C). Lorsque vous éteignez le four, le ventilateur reste en fonction jusqu'à ce que la température redescende à 250°F (121°C).

NE continuez PAS à utiliser le four si la soufflerie de refroidissement ne se met pas en marche. Appelez un centre de service qualifié pour que le four soit réparé.

Remarque : Ce processus de refroidissement pousse l'air chaud vers l'avant, à travers l'espace d'air situé au-dessus de la paroi supérieure du four.

Réglage du four auxiliaire (modèle de 48")

- Sélectionnez le mode avec le sélecteur de mode.
- Réglez la température à l'aide du bouton de commande du four.

- Les voyants OVEN ON (four allumé) et PREHEATING (préchauffage) s'allument.

OVEN ON PREHEATING



- Le four est préchauffé lorsque le voyant PREHEATING (PRÉCHAUFFAGE) s'éteint pour la première fois.

OVEN ON PREHEATING



- Le voyant OVEN ON (four allumé) reste allumé pendant l'utilisation d'un mode de cuisson actif, jusqu'à ce que l'un ou l'autre des boutons du four soit réglé à la position OFF.

Convection

Cuisson par convection

Il y a plusieurs avantages à la cuisson par convection. Dans le système par convection, un ventilateur à l'arrière du four déplace uniformément l'air dans le four. Cet air offre une chaleur uniforme pour que les aliments placés sur toute grille donnent des résultats constants. Des aliments sur plusieurs grilles peuvent être cuits en même temps et seront cuits sans avoir à tourner les plats.

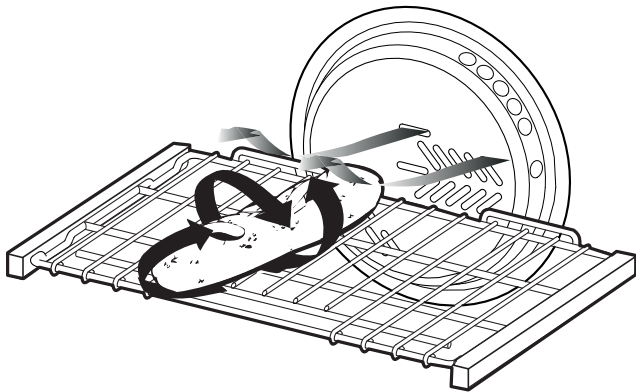


Figure 32 : Ventilateur de convection

Des plats peu profonds doivent être utilisés pour la cuisson par convection. Ceci permet à l'air de bien circuler. Les plats à rebords élevés ou couverts ne conviennent pas à ce type de cuisson, car l'air chaud ne peut circuler autour des aliments.

Il est possible d'utiliser les plats préférés pour la cuisson par convection pourvu que les bords soient peu profonds pour que l'air circule autour des aliments. Tout aliment non couvert brunira uniformément et une croûte riche se formera. Les aliments dans des casseroles couvertes (casseroles, rôtis) ou crèmes anglaises ne profitent pas de la cuisson par convection.

Cuisson par convection

Il est possible d'économiser du temps en cuisant une bonne quantité de biscuits en même temps. Les biscuits cuisent uniformément. La durée de cuisson peut être plus courte grâce à l'air chaud qui circule. Pour de petits produits, comme les biscuits, vérifier la cuisson deux minutes avant le temps indiqué dans la recette. Pour des produits plus grands, comme les gâteaux, vérifier cinq à six minutes avant le temps indiqué dans la recette.

La cuisson par convection de la viande et de la volaille donnera des aliments brunis et croustillants à l'extérieur et tendres et juteux à l'intérieur. De grosses pièces de viande ou de volaille peuvent prendre jusqu'à 30 minutes de moins que le temps recommandé dans la recette, par conséquent, vérifiez la cuisson afin qu'elles ne cuisent pas trop. Un thermomètre à viande assurera des résultats précis plutôt que le nombre de minutes par livres (kg). Plus la pièce de viande ou de volaille est grosse, plus il y a économie de temps.

Conversion de la cuisson conventionnelle à la cuisson par convection

Pour convertir la plupart des recettes (biscuits, gâteaux, tartes, etc.), réduire la température du four de 25°F (14°C). Pour la viande et la volaille, la température ne doit pas être réduite. Utiliser la même température que celle recommandée dans la recette et les tableaux de cuisson pour la viande et la volaille.

Conseils d'utilisation de la cuisson par convection

Préchauffage du four

Quel que soit le type d'aliments à cuire, préchauffez le four. Suivez les recommandations de votre recette pour le préchauffage. Le temps de préchauffage dépend du réglage de la température et du nombre de grilles placées dans le four.

Réglage de température

Quand vous utilisez la cuisson par convection, réduisez la température recommandée dans la recette de 14°C (25°F), bien que vous n'ayez pas à réduire la température lorsque vous faites cuire de la viande ou de la volaille. Lorsque vous faites rôtir des viandes, vérifiez la température intérieure avant d'enfourner votre plat pour ajuster le temps de cuisson recommandé dans la recette et éviter qu'il ne soit trop cuit.

Cuisson à haute altitude

En haute altitude, les recettes et les temps de cuisson sur le mode **BAKE (CUISSON)** ou sur le mode **CONV. BAKE (CUISSON PAR CONVECTION)** peuvent changer. Pour plus d'information, écrivez à : Extension Service, Colorado State University, Fort Collins, Colorado 80521 USA. Il se peut que vous ayez à payer pour obtenir des bulletins. Précisez le type d'information que vous voulez recevoir (par exemple, gâteaux, petits gâteaux secs, pain, etc.).

Condensation

Il est normal que de l'humidité s'évapore des aliments pendant le processus de cuisson. La quantité d'humidité dépend du degré d'humidité des aliments. Cette humidité se condensera sur toute surface plus froide que l'intérieur du four, comme le panneau de commande.

Position des grilles avec la cuisson par convection

Voir page 58 pour les positions de grille.

Cuisson par convection avec une grille

Niveau	Mode CONVEC BAKE
#3	-- Pour la cuisson avec une seule grille, vous obtiendrez de meilleurs résultats avec le mode cuisson (voir la section « Cuisson sur une seule grille »).
#2	-- Pour faire rôtir une dinde ou une grosse pièce de viande.

Cuisson avec deux grilles

Niveau	Mode CONVEC BAKE
#3 & #5 Mixtes	-- Les plats ronds de gâteaux peuvent être superposés sur les grilles 3 et 5. Les plaques à biscuits et les plats de gâteaux rectangulaires de 9 po x 13 po doivent être placés directement sur la grille 3, sous celle de la grille 5.
#2 & #4 Gaz	-- Ce mode convient pour les gâteaux, les petits gâteaux secs et les biscuits. -- Ces deux grilles peuvent également servir à la préparation d'un copieux repas.

Cuisson avec trois grilles

Niveau	Mode CONVEC BAKE
#1, #3, & #5 Mixtes	-- Lorsque vous devez faire cuire plusieurs plaques à biscuits, placez-les directement les unes au-dessus des autres sur leur grille respective pour laisser l'air circuler.
Gaz Voir note	-- Niveaux de grille des cuisinières à gaz pour : Biscuits : #2, #3, et #4 Autres aliments: #1, #3, et #5

Type de plats pour le four

- Les plats en aluminium sont ceux qui donnent les meilleurs dorages.
- Les tôles à pâtisserie doivent avoir des côtés bas; l'aluminium commercial ou les ustensiles de cuisson professionnels peuvent être utilisés, mais la durée de cuisson peut être augmentée.

Positionnement

- Pour un meilleur dorage, les récipients comme les tôles à pâtisserie, les moules ronds ou les plats rectangulaires doivent être placés dans le sens transversal sur la grille, avec les côtés les plus courts à droite et à gauche. Cela permet à l'air de circuler librement.
- Au moment de faire cuire avec plus d'une grille, les plaques à biscuit et les plats à gâteaux rectangulaires de 9 po x 13 po ne doivent pas être empilés, contrairement aux moules à gâteau.

Séchage d'aliments avec le mode de cuisson à convection

Utilisez le mode de cuisson à convection pour sécher et conserver des fruits et légumes.

Conseils :

- Le temps de cuisson varie en fonction du degré d'humidité et du contenu en sucre des aliments, de la taille des pièces, de la quantité d'aliments à sécher et du taux d'humidité de l'air.
- Faites sécher la plupart des fruits et légumes à 150°F (66°C).
- Vérifiez les aliments une fois que le temps de séchage minimum s'est écoulé.
- Il vaut mieux utiliser les grilles de séchage (non inclus) pour que l'air puisse circuler autour des aliments. Ne placez pas les aliments directement sur une tôle à biscuits ou une plaque. Les aliments doivent être assez hauts dans le four pour sécher uniformément.
- Vous pouvez utiliser simultanément plusieurs grilles de séchage.
- Pour sécher plusieurs grilles d'aliments en même temps, vous pouvez placer les grilles aux niveaux 2 et 4, ou 1, 3 et 5. Pour une seule grille, utilisez seulement le niveau 3.
- Pour des questions de salubrité alimentaire, il n'est pas recommandé de faire sécher de la viande.
- Consultez un livre de conservation d'aliments, un bureau régional de salubrité alimentaire ou des ouvrages disponibles en bibliothèque pour obtenir de plus amples renseignements.

ALIMENT	PRÉPARATION	TEMPS APPROX. (H)	VÉRIFICATION DE LA TENDRETÉ
FRUIT			
Pommes	Trempez les morceaux dans ¼ de tasse de jus de citron et 2 tasses d'eau. Tranches d'un quart de pouce (1/4 po).	8 – 15	Légèrement flexibles
Bananes	Trempez les morceaux dans ¼ de tasse de jus de citron et 2 tasses d'eau. Tranches d'un quart de pouce (1/4 po).	8 – 15	Légèrement flexibles
Cerises	Nettoyez et séchez avec un linge. Dénoyautez les cerises fraîches.	7 – 18	Parcheminées et molles
Pelures d'orange	Coupez de fines pelures de la peau des oranges.	1 – 4	Sèches et cassantes
Tranches d'orange	Tranches d'un quart de pouce (1/4 po).	9 – 16	Peau sèche et cassante, fruit légèrement humide.
Tranches d'ananas en conserve	Séchez avec un linge.	8 – 13	Tranches molles et flexibles.
Tranches d'ananas frais	Séchez avec un linge.	7 – 12	Tranches molles et flexibles.
Fraises	Nettoyez et séchez avec un linge. Coupez des tranches d'un demi-pouce d'épaisseur (1/2 po). Placez-les la peau contre la grille.	9 – 17	Sèches et cassantes
LÉGUMES			
Poivrons	Nettoyez et séchez avec un linge. Enlevez la peau. Coupez grossièrement des morceaux d'environ un pouce.	13 – 17	Parcheminés, sans humidité à l'intérieur.
Champignons	Nettoyez et séchez avec un linge. Coupez de fines tranches de 1/8 de pouce.	5 – 12	Durs et parcheminés, secs.
Tomates	Nettoyez et séchez avec un linge. Coupez de fines tranches de 1/8 de pouce en prenant soin de bien les évider.	5 – 12	Sèches. Couleur de brique rouge.

PROOF (APPRÊT, four auxiliaire seulement avec les cuisinières mixtes de 48")

La fonction d'apprêt permet de maintenir l'environnement chaud et sans courants d'air nécessaire pour le levage de produits panifiés.

Il vaut mieux utiliser la fonction Apprêt (PROOF) lorsque le four est froid.

Comment ajuster le four secondaire à la fonction d'apprêt

1. Laissez à la pâte le temps de dégeler si elle est gelée.
2. Mettez la pâte dans un plat dans le four et couvrez partiellement.
3. Utilisez n'importe quelle position de grille qui correspond aux dimensions du bol ou du moule. Fermez la porte.
4. Placez le sélecteur de mode à **PROOF**. Ne touchez pas au bouton de commande de la température du four.

GROSSEUR	TEMPS
Miches, 1 lb (0.45 kg)	60 – 75 minutes
Petits pains, 0.1 lb (0.05 kg)	30 – 45 minutes

La température idéale de levage sera maintenue jusqu'à ce que le sélecteur de mode soit mis hors circuit.

La fermentation de la pâte est terminée lorsqu'elle a doublé de taille.

N'ouvrez pas la porte inutilement pour éviter que la température du four ne diminue, ce qui allongera le temps requis pour le levage. Utilisez plutôt la lumière du four pour voir où en est le levage de la pâte.

Le temps de levage peut être réduit lorsque le four principal est utilisé en même temps. Vérifiez l'état du produit panifié pour éviter un levage excessif. Pour obtenir des résultats optimaux, nous vous conseillons, si vous utilisez le four principal durant de longues périodes, de procéder au levage avant d'utiliser le four principal.

WARM (GARDER CHAUD, four auxiliaire seulement avec les cuisinières mixtes de 48")

Cette fonction permet de conserver la chaleur des aliments préalablement cuits.

Pour régler le four au mode Garder chaud

1. **Préchauffez le four** en plaçant le sélecteur à la position **WARM** (Garder chaud) 10 minutes avant l'utilisation. NE tournez PAS bouton de commande du four à un mode ou un autre (laissez-le à la position OFF).
2. **Placez le plat chaud dans le four auxiliaire et fermez la porte.** La température idéale de maintien de la chaleur des aliments sera conservée jusqu'à ce que le sélecteur soit tourné à **OFF**.
3. **N'ouvrez pas la porte inutilement.** Cela fera baisser la température du four.

TEMPÉRATURES DE CUISSON INTERNES MINIMUMS

Les températures de cuisson internes recommandées par le *U.S. Department of Agriculture Food Safety and Inspection Service*, pour la consommation sécuritaire, sont les suivantes :

Porc, agneau, veau, bœuf hachée frais	160°F (72°C)
--	--------------

Bœuf, veau, rôtis d'agneau, steaks, côtelettes

Mi-saignant	145°F (63°C)
À point	160°F (72°C)
Bien cuit	170°F (77°C)

Rôtis de porc frais, steaks, côtelettes

À point	160°F (72°C)
Bien cuit	170°F (77°C)

Jambon

Cuire avant consommation	160°F (72°C)
Tout à fait cuit, réchauffé	140°F (60°C)

Volaille

Dinde, poulet hachés	165°F (74°C)
Dinde, poulet entiers	180°F (82°C)
Poitrines, rôtis	170°F (77°C)
Cuisses et ailes	180°F (82°C)
Farces (cuite à part ou simultanément)	165°F (74°C)
Plats avec œufs, plats en cocotte	160°F (72°C)
Restes de table	165°F (74°C)

Pour garantir une cuisson uniforme, assurez-vous que l'épaisseur des aliments est plus ou moins égale partout.

▲ ADVERTISSEMENT

SALUBRITÉ ALIMENTAIRE — INTOXICATION ALIMENTAIRE POSSIBLE

N'utilisez pas la fonction de maintien au chaud (WARM) du four pour cuire des aliments. La température de maintien au chaud (WARM) est insuffisante pour que les aliments soient cuits sans risques.

Autres utilisations du four

Suggestions de température pour conserver la chaleur des aliments

ALIMENT	TEMP DU FOUR
Bœuf	150°F (70°C)
Bacon	225°F (110°C)
Biscuits et muffins (couverts)	200°F (90°C)
Ragoût (couvert)	200°F (90°C)
Poisson et fruits de mer	200°F (90°C)
Aliments frits	225°F (110°C)
Jus de viande ou sauces à la crème (recouverts)	175°F (80°C)
Rôtis de veau et d'agneau	200°F (90°C)
Crêpes et gaufres (couvertes)	225°F (110°C)
Pommes de terre cuites	200°F (90°C)
Purée de pommes de terre (couverte)	175°F (80°C)
Pâtes et pâtisseries	175°F (80°C)
Pizza (couverte)	225°F (110°C)
Porc	200°F (90°C)
Volaille (couverte)	200°F (90°C)
Légumes (couverts)	175°F (80°C)

Cuisson au four lente et à basse température

En plus d'offrir des températures idéales pour faire cuire et rôtir, ce four permet de conserver des plats cuisinés au chaud et de réchauffer des plats, grâce à ses réglages à basse température.

Les plats cuisinés chauds peuvent être conservés à la température de service. Réglez le four sur au mode de cuisson au four et utilisez la température indiquée dans le tableau.

Pour de meilleurs résultats, préchauffez le four à la température souhaitée.

BROIL (GRILLER) sur tous les modèles et CONV BROIL (GRILLER PAR CONVECTION) avec les cuisinières mixtes

Position des grilles pour la cuisson

Il est recommandé de préchauffer l'élément du grilloir avant de commencer la cuisson. Faites préchauffer pendant trois minutes, puis placez le plat dans le four.

Four principal de cuisinière mixte

Niveau	Mode BROIL - Cuisinière mixte
#5	-- Réglez à cette position pour griller des steaks, des galettes de viande, du steak de jambon et des côtelettes d'agneau de 1 po (26 mm) ou moins d'épaisseur, ou pour brunir des aliments.
#4	-- Réglez à cette position pour griller des pièces de viande de 1½ po ou plus d'épaisseur, du poisson, de la volaille, des côtelettes de porc, du steak de jambon de 1 po (26 mm) ou plus d'épaisseur.
#3	-- Réglez à cette position pour griller des morceaux de poulet ou des demi-poulets.

Four principal au gaz

Niveau	Mode BROIL - Cuisinière au gaz
#4	-- Réglez à cette position pour griller des steaks, des galettes de viande, du steak de jambon et des côtelettes d'agneau de 1 po (26 mm) ou moins d'épaisseur.
#3	-- Réglez à cette position pour griller des pièces de viande de 1½ po ou plus d'épaisseur, du poisson, de la volaille, des côtelettes de porc, du steak de jambon de 1 po (26 mm) ou plus d'épaisseur.

Four auxiliaire (modèle de 48 po)

Niveau	Mode BROIL - Four auxiliaire
#3, 4, ou 5 – mixtes #1, 3, ou 4 – gaz	-- Dépend de type d'aliment et de son épaisseur.
#5 – mixtes #3 – gaz	-- Utilisez-la également pour faire doré le dessus des aliments.

Pour obtenir les meilleurs résultats

- Décongelez les aliments avant de faire griller.
- Fermez la porte pendant le grillage.
- Les steaks doivent avoir au moins 1 po (25,4mm) d'épaisseur si la cuisson saignante est désirée. Utilisez le grilloir à convection si les steaks ont plus de 1½ po (38mm) d'épaisseur.
- Tournez les aliments une seule fois à la mi-cuisson. Il n'est pas nécessaire de tourner les aliments minces (tranches de jambon, filets de poisson, etc.). Les tranches de foie doivent être tournées, quelle qu'en soit l'épaisseur.
- Centrez les aliments directement sous l'élément du grilloir pour un meilleur brunissage.

Préchauffer le grilloir

- **Il est recommandé de préchauffer l'élément du grilloir avant de commencer la cuisson.** Faites préchauffer pendant trois minutes, puis placez le plat dans le four.

Récipients

- Une lèchefrite deux pièces en porcelaine émaillée est comprise avec l'appareil. NE couvrez PAS la grille à fentes (dessus) avec du papier aluminium.
- Utilisez des casseroles en métal ou en céramique vitrifiée pour brunir des casseroles, des plats principaux ou du pain.
- N'utilisez PAS de plats à l'épreuve de la chaleur ou en faïence. Ces articles ne conviennent pas à l'intense chaleur de l'élément du grilloir.
- Le petit grilloir de porcelaine est conçu pour être utilisé dans le four secondaire des modèles de 48 po.

Remarque : Il est impossible d'utiliser en même temps les éléments du grilloir et de cuisson. Si l'un d'eux est allumé, l'autre ne peut l'être.

Réglage du grilloir ou du grilloir à convection

Seuls les éléments de voûte chauffent lors de l'utilisation du mode BROIL.

Pour un bon grillage, une exposition constante à une chaleur intense élevée est requise.

Pour régler le four à grilloir ou à grilloir à convection

1. Placez la grille à la position désirée.
2. Réglez le sélecteur à **BROIL** (grilloir) ou à **CONV BROIL** (grilloir à convection).
3. Réglez le bouton de contrôle du four à **BROIL** (grilloir).
 - La porte doit être fermée pendant tout le cycle du grilloir.

- La cuisinière est dotée d'une lèchefrite deux pièces. La grille à fentes permet l'égouttement dans le plat inférieur, loin de la chaleur intense des brûleurs du grilloir, minimisant ainsi les éclaboussures et la fumée.
- Les modèles de 48 po comprennent une lèchefrite deux pièces en aluminium à utiliser dans le petit four.

4. Placez les aliments à la position de grille désirée.

Fonctionnement automatique du ventilateur de refroidissement :

Le ventilateur de refroidissement s'active seulement si le four atteint 300°F (149°C). Lorsque vous éteignez le four, le ventilateur reste en fonction jusqu'à ce que la température redescende à 250°F (121°C).

NE continuez PAS à utiliser le grilloir si la soufflerie de refroidissement ne se met pas en marche. Appelez un centre de service qualifié pour que le four soit réparé.

Guide de cuisson au gril et rôtissage

Toutes les viandes sont déposées sur la lèchefrite fournie avec la cuisinière.

ALIMENT	NIVEAU	MODE
BŒUF		
Boulettes de viande hachée, épaisseur ½ po (12,7 mm)	#5 – mixtes #4 – gaz	BROIL ou CONV BROIL*
Bifteck d'aloyau	#4	BROIL ou CONV BROIL
Bavette de flanchet	#4	BROIL ou CONV BROIL*
Rosbif de côte	#3	BAKE ou CONV BAKE
PAINS		
Rôtie, pain à l'ail, etc.	#4 – mixtes #3 – gaz	BROIL
PORC		
Longe de porc rôtie	#3	BAKE ou CONV BAKE
VOLAILLE		
Poitrines de poulet sans peau, désossées	#4	BROIL ou CONV BROIL*
Cuisses de poulet	#3	BROIL ou CONV BROIL*
Demi-poulets	#3	BROIL ou CONV BROIL*
Poulet rôti	#2	BAKE ou CONV BAKE
Dinde	#2	BAKE ou CONV BAKE

* Sur certains modèles uniquement.

Entretien et Nettoyage

Four autonettoyant (modèles mixtes seulement)

⚠ AVERTISSEMENT

- Ne laissez pas d'enfants seuls ou sans surveillance dans un endroit où des électroménagers sont en cours d'utilisation.
- Durant le cycle d'autonettoyage, les surfaces extérieures de l'appareil peuvent devenir plus chaudes que d'habitude. Certaines pièces de l'appareil peuvent être dangereuses pour les enfants et pour les personnes qui ne possèdent pas les connaissances d'un adulte par rapport aux électroménagers ou qui ne réagissent pas comme un adulte devrait le faire dans une situation potentiellement dangereuse. Ces personnes devraient s'éloigner de l'appareil durant l'autonettoyage ou lorsqu'il est en cours d'utilisation.
- L'élimination de saletés durant le processus d'autonettoyage peut favoriser l'émission de petites quantités de produits chimiques ou d'autres substances auxquelles une certaine exposition pourrait être dangereuse. Pour minimiser toute exposition à ces substances, assurez-vous de bien aérer la pièce en ouvrant une fenêtre ou en utilisant un ventilateur ou une hotte.
- Gardez vos oiseaux de compagnie à l'extérieur de la cuisine ou d'autres pièces où la fumée de la cuisine pourrait les atteindre. La fumée qui se dégage de l'appareil durant l'autonettoyage peut être nuisible aux oiseaux.

Marques de produits

Les marques de produits mentionnées ne servent qu'à indiquer un type de produit nettoyant et non à en faire la promotion. L'omission d'une marque ne signifie pas qu'elle convient ou ne convient pas. De nombreux produits sont distribués régionalement et il est possible de les trouver dans les marchés locaux. Il est essentiel que les produits soient utilisés conformément à leur mode d'emploi.

Concernant l'autonettoyage

Le mode d'autonettoyage de votre nouvelle cuisinière comprend une fonction d'autonettoyage pyrolytique. Lorsque vous le mettez en mode SPEED CLEAN, le four atteint une température élevée, environ 830°F (454°C), qui consomment toutes les saletés du four.

Lorsque le four est réglé à SPEED CLEAN, vous pouvez utiliser les brûleurs standards et la plaque chauffante électrique de la surface de cuisson. Les brûleurs munis de la fonction ExtraLow^{mc} ne peuvent pas être utilisés.

Il est commun de voir de la fumée ou des flammes durant le cycle de nettoyage, selon le contenu et la quantité de saletés qui se trouvent dans le four. Si une flamme persiste, éteignez le four et laissez-le refroidir avant d'ouvrir la porte pour enlever les saletés excessives.

À la fin du cycle de nettoyage, de la cendre grise ou des résidus peuvent se trouver à l'intérieur du four. Il s'agit de dépôts minéraux qui n'ont pas brûlé ou fondu. La quantité de cendre dépend de la mesure dans laquelle le four était sale avant d'être nettoyé. Lorsque le four est froid, vous pouvez facilement enlever ces cendres ou résidus avec un essuie-tout, une éponge ou un chiffon humide.

Essayez tous les résidus qui se trouvent sur le bâti avant avec du Formula 409^{mc} ou du Fantastik^{mc}. Si des taches persistent, utilisez un nettoyant liquide doux. La quantité de taches de fumée est directement liée à la quantité de résidus d'aliments laissés dans le four au moment de procéder à l'autonettoyage. Nettoyez souvent le four.

Avant de procéder à l'autonettoyage du four

Essayez les accumulations de graisse et toutes les saletés faciles à enlever pour réduire les possibilités de production de flammes ou de fumée. Enlevez les saletés se trouvant à l'extérieur du joint d'étanchéité de la porte. Cet appareil est conçu pour nettoyer l'intérieur du four et la partie de la porte située à l'intérieur du four. Les parties extérieures de la porte et le cadre entourant la partie avant du four ne se trouvent pas dans la zone de nettoyage. Nettoyez ces surfaces.

AVANT DE RÉGLER LE FOUR POUR L'AUTONETTOYAGE

- Enlevez tous les ustensiles.
- Enlevez les grilles.
- Nettoyez le bâti avant du four et les côtés de la porte. Essuyez les éclaboussures et les accumulations de graisse.
- Assurez-vous que les ampoules et les couvercles de verre des lampes sont en place.
- Allumez la hotte au-dessus de la cuisinière et laissez-la jusqu'à ce que le cycle d'autonettoyage du four soit terminé.

IMPORTANT :

La première fois que vous utilisez le cycle d'autonettoyage de votre nouvelle cuisinière, sortez les petits animaux et les oiseaux de la cuisine et des endroits à proximité du four. Ouvrez une fenêtre pour une meilleure aération.

Verrouillage de porte

Au démarrage du cycle de nettoyage le cycle de verrouillage automatique de la porte commence.

Assurez-vous que la porte est bien verrouillée lorsque le cycle de nettoyage commence.

Réglage de l'autonettoyage

1. Sélectionnez **SPEED CLEAN** (nettoyage rapide) à l'aide du sélecteur.
2. Réglez le bouton de contrôle du four à **CLEAN** (nettoyage rapide).
 - La porte du four se verrouille.
 - Le ventilateur d'air froid s'allume.
 - Les voyants **PRÉCHAUFFAGE, CHAUFFAGE** et **NETTOYAGE** s'allument.

OVEN ON PREHEATING CLEANING



- Lorsque le four atteint la température maximale d'autonettoyage, le témoin lumineux PREHEATING (préchauffage) s'éteint.

NOTE: Le processus de fermeture de porte s'effectue en environ 20 secondes; à ce moment, la porte se verrouille. **Assurez-vous que la porte est verrouillée.**

À la fin de l'autonettoyage

Le cycle de nettoyage prend environ 2 heures. Le ventilateur et les voyants **HEATING** (chauffage) et **CLEAN** (nettoyage) s'éteignent lorsque le cycle est terminé. Ne réglez pas le sélecteur ou le bouton de contrôle du four à la position **OFF** tant que le cycle de verrouillage automatique n'est pas à la position ouverture.

1. Mettez le sélecteur à **OFF**.
 - Le loquet de la porte s'ouvre automatiquement lorsque le four passe sous les 500°F et que le verrouillage de la porte automatique complète son cycle de 60 secondes en position ouverture.
 - Le ventilateur d'air froid s'éteint lorsque la température descend en dessous de 375°F.
2. Mettez le bouton de contrôle du four à **OFF**.

NOTES:

- Il est possible d'annuler la fonction d'autonettoyage deux fois maximum après le début du cycle. L'annulation doit se faire dans les cinq minutes suivant le début du cycle. Si, après la deuxième annulation, l'utilisateur met à nouveau fin à la fonction d'autonettoyage, celle-ci ne pourra être activée avant 24 heures. Tous les autres modes conservent leurs fonctions originales.
- Si l'utilisateur tente de faire fonctionner l'autonettoyage d'un four pour lequel cette fonction est bloquée, les lumières du four clignotent à intervalles de deux secondes pour indiquer que la fonction n'est pas disponible. Il faut alors tourner les boutons à OFF pour que les lumières cessent de clignoter.

⚠ AVERTISSEMENT

L'intérieur du four sera toujours à une température de cuisson lorsque le verrouillage automatique cessera et qu'il sera possible d'ouvrir la porte du four.

Conseils de nettoyage

⚠ ATTENTION

Évitez de nettoyer les pièces de la cuisinière lorsqu'elles sont encore chaudes.

- Le fini en porcelaine émaillée résiste à l'acide, mais n'est pas antiacide. Les aliments acides comme le jus d'agrumes, de tomates, de rhubarbe, ou le vinaigre, l'alcool et le lait doivent être essuyés. Vous ne devez pas les laisser cuire sur la porcelaine pendant l'utilisation de la cuisinière.
- **Les éléments chauffants du four ne requièrent pas de nettoyage.** Les éléments se nettoient d'eux-mêmes lors de l'utilisation de la cuisinière. Les deux éléments sont branchés en permanence.

Pour nettoyer la cuisinière

- Utilisez la méthode de nettoyage la plus douce qui fera le travail de façon efficace. Certains produits d'entretien similaires sont plus rudes que d'autres. Faites d'abord un essai sur une petite surface.
- Passez toujours les produits lustrant pour le métal dans le sens des lignes de polissage pour obtenir une efficacité maximum et éviter de rayer la surface.
- N'utilisez que des chiffons, éponges, serviettes en papier, brosses douces et propres; tampons à récurer savonneux de plastique, non métalliques, pour nettoyer et gratter, comme recommandé dans le tableau.
- Toutes les pièces de cet appareil peuvent être nettoyées avec de l'eau chaude savonneuse. S'il est nécessaire de rincer, rincez en profondeur.
- Essuyez toujours immédiatement pour éviter les traces d'eau.
- **N'UTILISEZ PAS DE PRODUITS NETTOYANTS À BASE DE CHLORE.**

Retrait des guides pour le nettoyage (cuisinières au gaz seulement)

1. Soulevez le devant du guide pour libérer les têtes des deux boulons à épaulement vers la partie avant de la cavité du four.
2. Retirez la portion avant du guide en tirant les fentes en forme de trou de clé par dessus les boulons d'épaulement.
3. Sortez les deux rails des trous situés à l'arrière de la cavité du four. Les guides sont conçus pour pouvoir s'installer d'un côté ou d'un autre de la cavité du four.

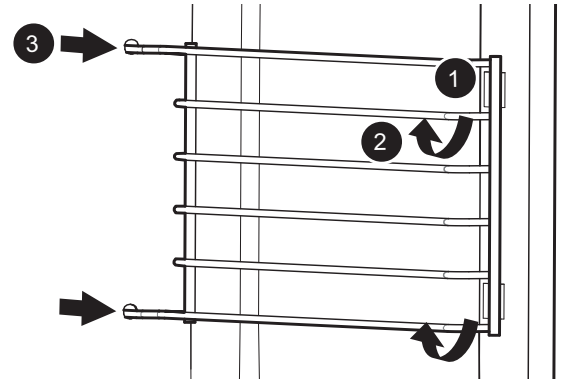
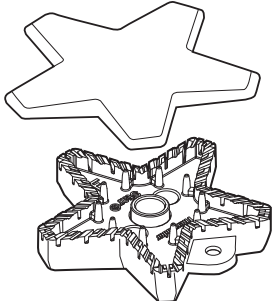
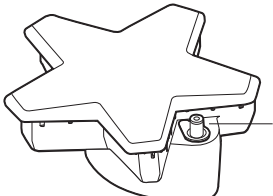


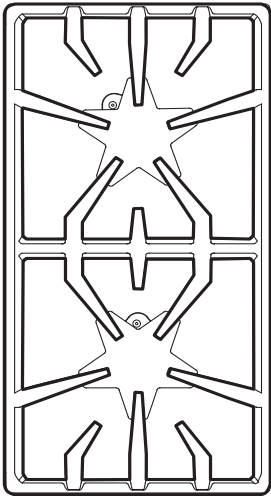
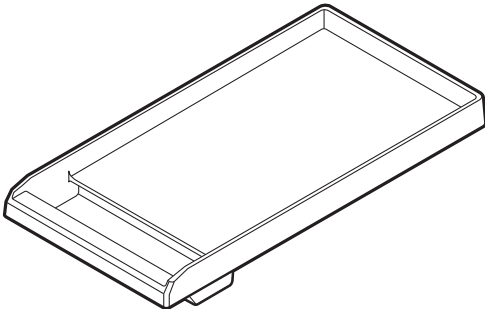
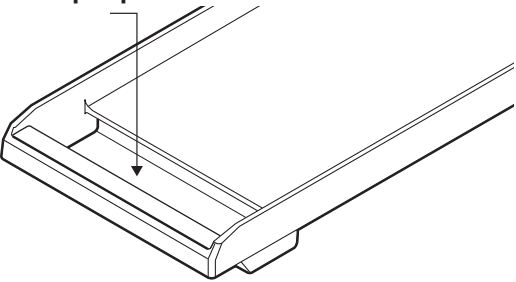
Figure 33 : Retrait des guides pour le nettoyage

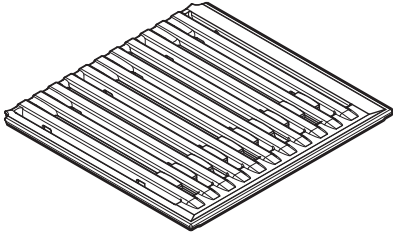
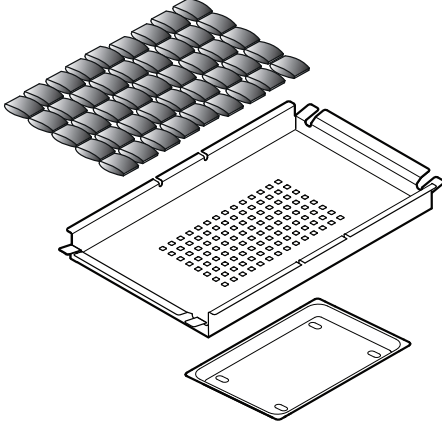
REMARQUE :

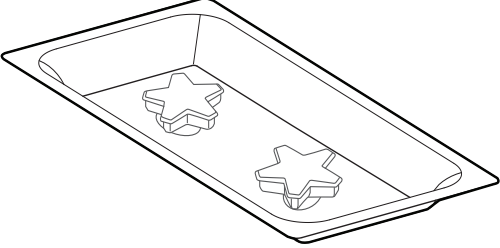
Les guides de grilles sont conçus pour s'ajuster d'un côté ou l'autre de la cavité du four.

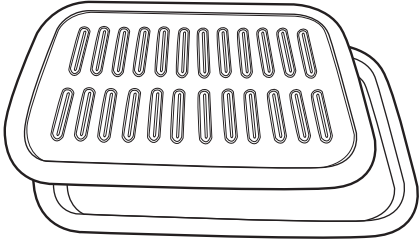
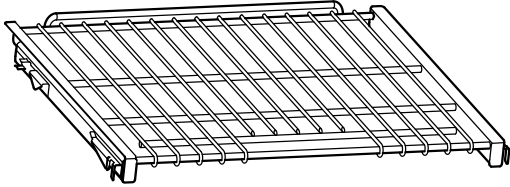
Suggestions de nettoyage

PIÈCE/MATÉRIAU	NOTES CONCERNANT LE NETTOYAGE
<p>Couvercle en fonte et base des brûleurs en laiton</p> 	<ul style="list-style-type: none"> • Brosse à dents à soies dures en nylon pour le nettoyage des orifices. • Une fois le nettoyage terminé, veillez à ce que le couvercle du brûleur STAR soit correctement logé sur sa base. • Ne frottez PAS et n'agrandissez pas les orifices du couvercle de brûleur STAR. • Produits nettoyants suggérés; rincez et séchez à fond : <ul style="list-style-type: none"> -- Eau chaude savonneuse -- Bon-ami® -- Cameo® Aluminum and Stainless Steel Cleaner -- Wright's® All Purpose Brass Polish -- Kleen King®
<p>Allumeurs Céramique</p> 	<ul style="list-style-type: none"> • N'employez PAS d'outils pointus pour frotter les allumeurs. Les allumeurs sont fragiles. Si l'un d'entre eux est endommagé, il se pourrait qu'il ne puisse allumer le brûleur STAR. • Produits nettoyants suggérés : <ul style="list-style-type: none"> -- Utilisez un coton-tige trempé dans l'eau -- Fantastik®
<p>Boutons de commande / métal Enjoliveurs / chrome Grilles de four coulissantes / chrome</p>	<ul style="list-style-type: none"> • Ne faites PAS tremper les boutons. • Ne forcez PAS les boutons sur une mauvaise tige de valve. • Produits nettoyants suggérés : <ul style="list-style-type: none"> -- Utilisez un coton-tige trempé dans l'eau
<p>Fini extérieur/protecteur arrière Acier inoxydable</p>	<ul style="list-style-type: none"> • L'acier inoxydable résiste à la plupart des taches d'aliments et piqûres, pourvu que la surface soit gardée propre et protégée. • Frottez légèrement dans le sens du poli. • Le chlore ou les composés de chlore de certains produits nettoyants sont corrosifs pour l'acier inoxydable. Vérifiez les ingrédients sur l'étiquette. • Produits nettoyants suggérés; rincez et séchez à fond : <ul style="list-style-type: none"> -- Eau chaude savonneuse -- Fantastik® -- Siege® Stainless Steel and Aluminum Cleaner -- Kleen King® Stainless Steel Liquid Cleaner -- Poli de nettoyage : Stainless Steel Magic^{mc} pour protéger le fini des taches et piqûres ; améliore l'apparence. -- THERMADOR Stainless Steel Conditioner (0057669) -- Taches d'eau dure : Vinaigre. • Décoloration due à la chaleur; rincez et séchez à fond : <ul style="list-style-type: none"> -- Cameo® -- Barkeepers Friend® -- Zud® -- Wright's® All Purpose Brass Polish

PIÈCE/MATÉRIAU	NOTES CONCERNANT LE NETTOYAGE
<p>Grilles Porcelaine émaillée sur fonte</p> 	<ul style="list-style-type: none"> • Les grilles sont lourdes ; soyez prudent lorsque vous les soulevez. Déposez-les sur une surface protégée. • Compte tenu de la texture rugueuse des grilles, des dépôts en aluminium du dessous des poêlons peuvent parfois se détacher et remplir les espaces entre les rayures des grilles. Faites attention lorsque vous cuisinez avec des poêlons et casseroles en laiton et en aluminium, car ces types de plats peuvent parfois laisser des dépôts de métal sur les grilles. • Lors de températures extrêmes et de changements rapides de température, on retrouve couramment des ampoules/craquelures/éclats sur les tiges des grilles. • Les déversements acides et chargés en sucre détériorent l'émail. Éliminez-les sans tarder. • Les produits nettoyants abrasifs, utilisés trop vigoureusement ou trop souvent, peuvent éventuellement rayer l'émail. • Produits nettoyants suggérés; rincez et séchez à fond : <ul style="list-style-type: none"> -- Eau chaude savonneuse -- Fantastik® -- Bon-ami® -- Soft Scrub® • Abrasifs pour les taches tenaces; rincez et séchez à fond : <ul style="list-style-type: none"> -- Tampon de laine d'acier savonneux -- Lestoil® -- Autre produit dégraissant • Dépôts de métal : <ul style="list-style-type: none"> -- Éponge à récurer Scotch Brite -- Laine d'acier
<p>Plaque chauffante Aluminium avec revêtement anti-adhésif</p> 	<ul style="list-style-type: none"> • N'immergez JAMAIS une plaque chauffante chaude dans l'eau froide. La plaque d'aluminium pourrait gondoler ou se fissurer. • Ne nettoyez AUCUNE partie du gril ou de la plaque chauffante dans le four en mode autonettoyage. • Essuyez la surface de la plaque chauffante à l'eau tiède savonneuse, puis rincez à l'eau tiède. Essuyez avec un chiffon doux. • Si des particules alimentaires collent à la plaque, éliminez-les à l'aide d'un nettoyant abrasif doux comme Soft Scrub^{mc}. • Produits nettoyants suggérés; rincez et séchez à fond : <ul style="list-style-type: none"> -- Eau chaude savonneuse -- Mettez-le au lave-vaisselle -- Soft Scrub®
<p>Plateau collecteur de graisse de la plaque chauffante</p> 	<ul style="list-style-type: none"> • Retirez le plateau collecteur de graisse et versez la graisse dans un contenant résistant aux graisses pour mise au rebut. Lavez le plateau collecteur dans l'eau tiède savonneuse ou mettez-le au lave-vaisselle. • Videz le plateau collecteur de graisse après chaque utilisation. • Produits nettoyants suggérés; rincez et séchez à fond : <ul style="list-style-type: none"> -- Eau chaude savonneuse -- Mettez-le au lave-vaisselle -- Soft Scrub®

PIÈCE/MATÉRIAU	NOTES CONCERNANT LE NETTOYAGE
<p>Grilles du grill Porcelaine émaillée sur fonte</p> 	<ul style="list-style-type: none"> • Nettoyez les grilles après chaque utilisation. • Placez la grille du grill dans l'évier et versez de l'eau bouillante sur la grille. Mettez un linge à vaisselle sur la grille et versez de l'eau bouillante sur le linge. Laissez tremper les résidus. Grattez tous les débris avec un tampon à récurer savonneux. • Abrasifs pour les taches tenaces : Soft Scrub®. • Produits nettoyants suggérés; rincez et séchez à fond : <ul style="list-style-type: none"> -- Eau chaude savonneuse -- Mettez-le au lave-vaisselle -- Soft Scrub® -- Brosse à fils en laiton doux pour les taches tenaces. Les brosses à fils de fer rigides peuvent égratigner le recouvrement de porcelaine des grilles et causer leur oxydation prématurée. • Abrasifs pour les taches tenaces; rincez et séchez à fond : <ul style="list-style-type: none"> -- Tampon de laine d'acier savonneux -- Lestoil® -- Autre produit dégraissant
<p>Briquettes de céramique, Briquettes de céramique, et Plateau à graisse du grill</p> 	<ul style="list-style-type: none"> • Briquettes de céramique de nettoyage <ol style="list-style-type: none"> 1) Placez doucement les briquettes de céramique saturées de gras dans un grand contenant de six litres ou plus. 2) Remplissez le contenant d'eau propre de façon à ce que les briquettes soient couvertes par au moins un demi-pouce d'eau. 3) Portez l'eau à ébullition et laissez-la bouillir pendant 10 minutes. 4) Éteignez le feu et laissez l'eau refroidir jusqu'à une température sécuritaire. 5) Débarrassez-vous de l'eau et tapotez les briquettes avec de vieilles serviettes ou des essuie-tout pour les sécher. 6) Laissez sécher les briquettes à l'air ambiant pendant au moins deux heures. Il se peut qu'il y ait des taches de graisse permanentes sur les briquettes après le nettoyage. 7) Remettez les briquettes propres et sèches dans le grill avant de le réutiliser. • Vous pouvez vous procurer de nouvelles briquettes de céramique à la boutique électronique de THERMADOR (numéro de commande : <i>PABRICKBKN</i>). Consultez le verso pour obtenir des renseignements sur le soutien technique. ▲ MISE EN GARDE : <ul style="list-style-type: none"> • Vous devez remplacer les briquettes de céramique lorsqu'elles sont noires, ce qui signifie qu'elles sont saturées de gras. Elles peuvent alors générer beaucoup de fumée ou prendre feu pendant le fonctionnement de l'appareil. • Produits nettoyants recommandés pour le panier et le plateau à graisse; rincez et séchez à fond : <ul style="list-style-type: none"> -- Eau chaude savonneuse -- Mettez-le au lave-vaisselle

PIÈCE/MATÉRIAU	NOTES CONCERNANT LE NETTOYAGE
<p>Plateau collecteur de surface / bandes de garniture Porcelaine émaillée (fini lustré)</p> 	<ul style="list-style-type: none"> • Frottez délicatement car ces produits pourraient érafler le fini. Rincez à fond et essuyez avec un chiffon doux. • Pour les aliments carbonisés, utilisez des tampons de fibre ou de laine d'acier imbibés de savon, tels que S.O.S.^{mc} ou Brillo^{mc}. Humidifiez le tampon et frottez délicatement. Soyez prudent car les tampons peuvent érafler le fini. Rincez à fond et essuyez avec un chiffon doux. • Produits nettoyants suggérés; rincez et séchez à fond : <ul style="list-style-type: none"> -- Eau chaude savonneuse -- Soft Scrub[®] -- Bar Keeper's Friend[®] -- Bon-ami[®] -- Comet[®] -- Ajax[®] • Abrasifs pour les taches tenaces; rincez et séchez à fond : <ul style="list-style-type: none"> -- Utilisez des tampons de fibre ou de laine d'acier imbibés de savon
<p>Joint Joint d'étanchéité de la porte</p>	<ul style="list-style-type: none"> • Vaporisez le produit nettoyant et séchez-le avec un chiffon. Ne frottez PAS. N'enlevez pas, ne déplacez pas et n'endommagez pas la maille. • Produits nettoyants suggérés; rincez et séchez à fond : <ul style="list-style-type: none"> -- Eau chaude savonneuse -- Fantastik[®]
<p>Portes</p>	<ul style="list-style-type: none"> • Veillez à préserver les orifices d'aération des portes des nettoyeurs et de l'eau. Si l'un ou l'autre était déversé dans un orifice d'aération, l'eau pourrait couler à l'intérieur et marquer la vitre.
<p>Cavité Porcelaine émaillée sur acier</p>	<ul style="list-style-type: none"> • Le fini de porcelaine émaillée résiste à l'acide, mais il n'est pas à l'épreuve de l'acide. Les aliments acides, par exemple le jus de citron, la tomate, la rhubarbe, le vinaigre, l'alcool et le lait, doivent être essuyés car il ne doivent pas cuire dans la porcelaine durant la prochaine utilisation de la cuisinière. Après un certain temps, la porcelaine peut se craqueler (présenter des lignes fines comme des cheveux). Cela n'affecte en rien sa performance. • Appliquez du produit nettoyant sur une éponge ou un chiffon humide. Frottez doucement. Rincez en profondeur et séchez. Si des aliments ont brûlé sur le four et qu'ils sont difficiles à nettoyer, vous pouvez les humidifier avec un chiffon imbibé du produit suggéré. Fermez la porte et laissez tremper jusqu'à ce que vous puissiez facilement enlever les résidus d'aliment avec un chiffon savonneux humide ou peu abrasif. • Produits nettoyants suggérés; rincez et séchez à fond : <ul style="list-style-type: none"> -- Eau chaude savonneuse -- Vinaigre -- Soft Scrub[®] -- Bon-ami[®] -- Comet[®]

PIÈCE/MATÉRIAU	NOTES CONCERNANT LE NETTOYAGE
<p>Plaque à fentes de la lèchefrite/fond Porcelaine émaillée</p> 	<ul style="list-style-type: none"> • Pour amollir les aliments cuits, vaporisez la plaque vide et/ou le fond avec du détergent à lessive alors qu'ils sont encore chauds et recouvrez d'essuie-tout mouillés. Laissez reposer. • Produits nettoyants suggérés; rincez et séchez à fond : <ul style="list-style-type: none"> -- Eau chaude savonneuse -- Vinaigre -- Mettez-le au lave-vaisselle -- Soft Scrub® -- Bon-ami® -- Comet® -- Tampons de fibre ou de laine d'acier imbibés de savon
<p>Grilles du four et glissières des grilles Nickelées</p> 	<ul style="list-style-type: none"> • Certains produits nettoyants commerciaux pour four peuvent noircir et décolorer la surface. Avant de nettoyer la grille, testez le produit sur une petite portion de celle-ci et assurez-vous qu'elle ne se décolore pas. • Si les grilles ne glissent pas facilement en place après le nettoyage, versez un peu d'huile à friture sur un essuie-tout et frottez doucement les glissières latérales. • NE NETTOYEZ PAS LES FOURS AUTONETTOYANTS. • Produits nettoyants suggérés; rincez et séchez à fond : <ul style="list-style-type: none"> -- Eau chaude savonneuse -- Vinaigre -- Mettez-le au lave-vaisselle -- Soft Scrub® -- Bon-ami® -- Comet® • Abrasifs pour les taches tenaces; rincez et séchez à fond : <ul style="list-style-type: none"> -- Utilisez des tampons de fibre ou de laine d'acier imbibés de savon -- Easy Off® Oven Cleaner

Entretien À Faire Soi-même

Changement de l'ampoule du four

⚠ ATTENTION

- Assurez-vous que l'appareil et les lampes sont froids et que l'alimentation de l'appareil est coupée avant de remplacer les ampoules électriques, sans quoi vous pourriez vous blesser ou recevoir une décharge électrique.
- Les couvercles doivent être en place lorsque vous utilisez l'appareil.
- Les couvercles servent à empêcher les ampoules de se briser.
- Les couvercles sont faits de verre. Manipulez-les avec soin pour éviter de les briser. Les éclats de verre peuvent causer des blessures.
- La douille est sous tension lorsque la porte est ouverte.

Remplacez l'ampoule exclusivement par une ampoule recommandée pour cuisinière. N'UTILISEZ PAS une ampoule standard à usage domestique dans le four. Appelez le centre de service à la clientèle de THERMADOR au 1-800-735-4328 ou le détaillant THERMADOR le plus près de chez vous pour savoir quelles ampoules utiliser avec votre cuisinière. Vous devriez connaître le numéro de série de votre cuisinière.

Remplacement de l'ampoule

Utilisez seulement des ampoules halogènes à deux broches de 40 watts, 120 volts, G9. Utilisez un linge propre et sec pour manipuler les ampoules halogènes. Cela augmentera leur durée de vie.

1. Coupez l'alimentation du disjoncteur.
2. Enlevez les grilles du four.
3. Insérez la pointe d'un tournevis plat entre l'attache de fixation et le boîtier de la lampe (*Figure 34, A*). Soutenez le couvercle de la lentille de verre avec deux doigts le long du rebord inférieur pour empêcher qu'il tombe sur le plancher du four. Tournez doucement le tournevis plat pour détacher le couvercle de la lentille de verre.

4. Enlevez le couvercle de la lentille de verre.
5. Retirez l'ampoule en la saisissant et la faisant glisser vers l'arrière jusqu'à ce que les deux broches sortent du support en céramique (*Figure 34, B*).
6. Ne touchez pas au verre de la nouvelle ampoule de remplacement avec vos doigts, sans quoi elle ne fonctionnera pas lorsque vous l'allumerez. Prenez l'ampoule de remplacement avec un linge sec et propre. Localisez les deux fentes du support de céramique en y poussant doucement les deux broches de l'ampoule (*Figure 34, C*).
7. Tirez vers le bas pour bien installer l'ampoule.
8. Faites glisser la lentille de protection dans l'attache du support et poussez l'autre extrémité jusqu'à ce que l'attache de fixation s'enclenche dans le boîtier (*Figure 34, D*).

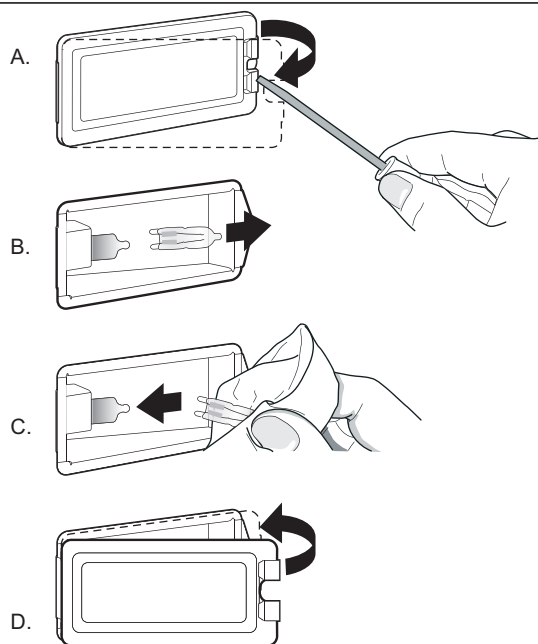


Figure 34 : Emplacement de l'ouverture

9. Allumez l'alimentation du disjoncteur.

Avant d'appeler le service technique

Liste de contrôle

Avant d'appeler le service technique, vérifiez les points suivants afin d'éviter des frais inutiles.

Vérifiez d'abord les points suivants :

- Y a-t-il une panne de courant dans le voisinage?
- Les fusibles ont-ils sauté ou le disjoncteur s'est-il déclenché?
- La cuisinière est-elle débranchée?

Si les brûleurs ne s'allument pas

- Les chapeaux des brûleurs sont-ils correctement alignés et posés sur les bases des brûleurs?
- Les orifices des brûleurs sont-ils bouchés?
- Un fusible a-t-il sauté ou le disjoncteur s'est-il déclenché?
- Le robinet manuel de coupure du gaz est-il fermé, empêchant l'arrivée de gaz?

Plaque signalétique

La plaque signalétique indique le modèle et le numéro de série de votre cuisinière. Elle est située sur le cadre, derrière la porte du four (voir illustration).

Les schémas de câblage électrique et les dessins placés dans la zone de la base ne doivent pas être enlevés sauf par un technicien de service. Remettez en place après l'entretien.

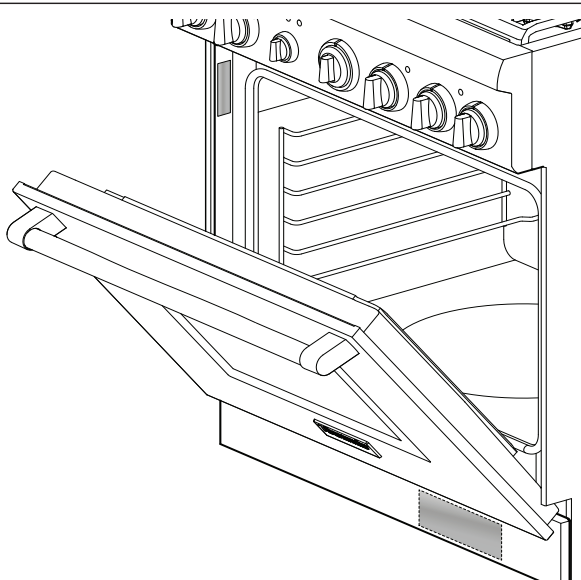


Figure 35 : Plaque signalétique et diagramme de câblage

⚠ AVERTISSEMENT

Avant d'ôter la plaque d'habillage, débranchez l'alimentation électrique de la cuisinière. Réinstallez la plaque de base avant de rébrancher l'alimentation électrique de la cuisinière et de l'utiliser.

Information pour le service technique

Afin de conserver ces données à portée de main, recopiez ici les renseignements figurant sur la fiche signalétique. Conservez votre facture pour que votre garantie soit valide.

Numéro du modèle _____

Numéro de série _____

Date d'achat _____

Complétez également la carte d'enregistrement du produit comprise avec ce produit.

Enregistrez votre appareil auprès de BSH afin de vous assurer un service rapide et l'accès aux renseignements qui concernent votre appareil. Vous pouvez enregistrer votre appareil de l'une des façons suivantes :

1. Envoyez par la poste votre carte d'enregistrement de produit THERMADOR complétée.
2. Enregistrez votre produit en ligne à l'adresse www.thermador.ca.
3. Communiquez avec le service à la clientèle de THERMADOR au numéro 1-800-735-4328.

Dépannage

SYMPTÔME	CAUSE PROBABLE	SOLUTION
Production intermittente d'étincelles	<ul style="list-style-type: none"> L'allumeur en céramique est mouillé ou sale. Les orifices du brûleur sont bouchés. 	<ul style="list-style-type: none"> Séchez ou nettoyez soigneusement l'allumeur. Nettoyez les orifices de répartition de la flamme à l'aide d'un fil métallique, d'une aiguille ou d'un trombone déplié.
Plus de quatre déclics de l'allumeur avant que la flamme ne s'allume	<ul style="list-style-type: none"> Le chapeau du brûleur est mal posé sur sa base. 	<ul style="list-style-type: none"> Alignez bien le chapeau du brûleur sur la base du brûleur.
Production constante d'étincelles	<ul style="list-style-type: none"> La mise à la terre de la cuisinière a été mal faite. L'alimentation électrique est mal polarisée. 	<ul style="list-style-type: none"> Consultez les Instructions d'installation. Appelez un électricien qualifié pour qu'il effectue une mise à la terre adéquate pour la cuisinière.
Les dispositifs d'allumage produisent des étincelles, mais pas de flamme.	<ul style="list-style-type: none"> La vanne de l'approvisionnement en gaz est à la position « OFF ». 	<ul style="list-style-type: none"> Ouvrez la vanne d'approvisionnement en gaz de l'appareil.
La cuisinière ne fonctionne pas (les lumières, le four et les brûleurs ne s'allument pas)	<ul style="list-style-type: none"> Pas d'alimentation électrique. Le four est en mode Sabbath. 	<ul style="list-style-type: none"> Assurez-vous que le disjoncteur est à la bonne position. Assurez-vous que la tension de la ligne d'alimentation électrique est adéquate. Assurez-vous que le four n'est pas en mode Sabbath. Consultez la section « Utilisation de la cuisinière » dans le <i>Guide d'utilisation et d'entretien</i>.
L'ampoule du four ne s'allume pas.	<ul style="list-style-type: none"> L'ampoule est grillée. 	<ul style="list-style-type: none"> Remplacez l'ampoule du four selon les instructions fournies dans le <i>Guide d'utilisation et d'entretien</i>.
La porte ne s'ouvre pas.	<ul style="list-style-type: none"> Le four est encore en mode Autonettoyage. 	<ul style="list-style-type: none"> Si le four est chaud, le verrou de la porte s'ouvrira lorsque le four atteindra une température sécuritaire.
Les aliments ne cuisent pas suffisamment dans le four.	<ul style="list-style-type: none"> La grille ne se trouve pas à la bonne position. Le plat utilisé n'est pas adéquat. La porte du four n'est peut-être pas bien scellée. L'appareil n'est pas de niveau. 	<ul style="list-style-type: none"> Consultez la section « Utilisation de la cuisinière » dans le <i>Guide d'utilisation et d'entretien</i>. Consultez la section « Récipients recommandés » dans le <i>Guide d'utilisation et d'entretien</i>. Nettoyez le joint d'étanchéité de la porte du four. Remplacez-le s'il est usé. Consultez le <i>Manuel d'installation</i> pour obtenir des instructions sur le nivelage de l'appareil.
L'appareil dégage de l'air chaud.	<ul style="list-style-type: none"> Il est normal que, durant le processus de refroidissement, de l'air chaud soit évacué dans la pièce lorsque le four est allumé. Selon le mode utilisé, la vitesse du ventilateur augmente ou diminue. 	<ul style="list-style-type: none"> Cela est normal.

Énoncé de Garantie Limitée du Produit

Couverture de la garantie et à qui elle s'applique

La garantie limitée offerte par BSH Home Appliances Corporation (BSH) dans cet énoncé de garantie limitée du produit ne s'applique qu'à l'appareil THERMADOR® qui vous a été vendu, à titre de premier acheteur, pourvu que le produit ait été acheté :

- Pour une utilisation domestique normale (non commerciale) et qu'il n'ait été utilisé qu'à des fins domestiques normales.
- Neuf au détail (qu'il ne soit pas un modèle précédemment retourné, un modèle « tel-quel » ou un modèle de plancher) et non destiné à la revente ou à un usage commercial.
- Aux États-Unis ou au Canada, et qu'il soit demeuré en tout temps dans le pays de l'achat d'origine.

Les garanties énoncées dans les présentes ne s'appliquent qu'au premier acheteur du produit et ne sont pas transférables.

Veillez vous assurer de retourner votre carte d'enregistrement ; bien que ce ne soit pas indispensable à la couverture de garantie. C'est toutefois le meilleur moyen pour BSH de communiquer avec vous, dans le cas peu probable d'un rappel de produit ou d'un avis de sécurité.

Durée de la garantie

Produit fabriqué avant le 1^{er} janvier 2012 dont le numéro est égal ou inférieur à FD911299999 : BSH garantit que le produit est exempt de défauts tant dans les matériaux que dans la main-d'oeuvre pour une période de (365) jours à partir de la date d'achat. Cette période commence dès la date de l'achat et ne peut pas être arrêtée, prolongée ou suspendue pour quelque raison que ce soit.

Produit fabriqué après le 1^{er} janvier 2012 dont le numéro est égal ou supérieur à FD920100000 : BSH garantit que le produit est exempt de défauts tant dans les matériaux que dans la main-d'oeuvre pour une période de sept cent trente (730) jours à partir de la date d'achat. Cette période commence dès la date de l'achat et ne peut pas être arrêtée, prolongée ou suspendue pour quelque raison que ce soit.

Ce Produit est également garanti contre tout défaut de matériau et de fabrication apparent (tels les éraflures sur l'acier inoxydable, les défauts d'aspect de la peinture ou de la porcelaine, les ébréchures, les bosselures, ou autres dégâts au fini du Produit), pendant une période de trente (30) jours à compter de la date d'achat ou de la date de clôture pour une nouvelle construction. Cette garantie

relative à l'apparence exclut les légères variations de couleur découlant des différences inhérentes aux pièces peintes et en porcelaine, ainsi que découlant des différences causées par l'éclairage de cuisine, l'emplacement du produit ou d'autres facteurs similaires. Cette garantie relative à l'apparence exclut plus particulièrement tout appareil électroménager en exposition, de plancher, « En l'état » ou de stock « B ».

Réparation ou remplacement comme recours exclusif

Durant cette période de garantie, BSH ou l'un de ses fournisseurs de service autorisés réparera votre appareil sans frais (sujet à certaines limitations établies dans les présentes) s'il est prouvé qu'une défektivité dans les matériaux ou la main-d'oeuvre affecte le fonctionnement de votre appareil. Si tous les efforts entrepris pour réparer l'appareil ont échoués, BSH remplacera votre appareil (un modèle plus récent pourrait vous être livré, à la seule discrétion de BSH, pour des frais additionnels). Toutes les pièces et composants deviendront la propriété de BSH. Toutes les pièces remplacées et/ou réparées assumeront l'identité de la pièce d'origine aux fins de cette garantie et cette garantie ne sera pas prolongée suite au remplacement de ces pièces. La seule responsabilité de BSH telle que décrite dans les présentes est de réparer un produit défectueux à la fabrication, en mandatant un fournisseur de service autorisé de BSH durant les heures d'affaire. Pour des raisons de sécurité et de dommages aux biens, BSH recommande de ne pas tenter de réparer vous-même le produit ou d'employer un fournisseur de services non autorisé. BSH n'accepte aucune responsabilité pour les réparations ou le travail effectué par un fournisseur de service non autorisé. Si vous acceptez qu'une personne autre qu'un fournisseur de service autorisé travaille à réparer votre produit, CETTE GARANTIE DEVIENDRA AUTOMATIQUEMENT NULLE ET NON AVENUE. Les fournisseurs de service autorisés sont les personnes morales ou sociétés spécialement formées pour réparer les produits BSH et qui possèdent, selon BSH, une réputation supérieure au niveau du service à la clientèle et des compétences techniques (notez qu'il s'agit d'entités indépendantes et non d'agents, partenaires, sociétés affiliées ou représentants de BSH). En dépit des énoncés ci-dessus, BSH n'accepte aucune responsabilité pour un appareil se trouvant dans une région éloignée (à plus de 200 km d'un fournisseur de service autorisé), ou dans un lieu ou un environnement inaccessible, dangereux, menaçant ou hasardeux ; dans un tel cas, si vous le demandez, BSH paiera pour les pièces et la main-d'oeuvre, et expédiera le tout au fournisseur de service autorisé le plus près. Vous serez toutefois entièrement responsable des frais de déplacement ou autres frais spéciaux engagés par la société de service, assumant que cette dernière accepte d'effectuer la réparation.

Appareil hors garantie

BSH n'est assujettie à aucune obligation, au titre de la loi ou autrement, de vous offrir des concessions, incluant les réparations, prorata ou remplacement de produit une fois cette garantie expirée.

Exclusions de la garantie

La garantie décrite dans les présentes exclut toutes les défauts ou dommages qui ne sont pas du fait direct de BSH, incluant, mais sans s'y limiter, un ou plusieurs des éléments suivants :

- Utilisation du produit pour quelque raison autre que son usage normal de la façon prévue (incluant mais sans s'y limiter, toute forme d'usage commercial, d'usage ou d'entreposage d'appareils pour l'intérieur à l'extérieur, d'usage de l'appareil avec tout moyen de transport maritime ou aérien).
- Toute conduite inappropriée, négligence, mauvais usage, abus, accident, utilisation inadéquate, absence d'entretien, installation inadéquate ou négligente, modification, non-respect des instructions d'utilisation, manutention inappropriée, réparations non autorisées (incluant les réparations « maison » ou l'exploration des mécanismes internes de l'appareil).
- L'ajustement, l'altération ou la modification de toute forme que ce soit.
- Le non-respect des codes du bâtiment, règlements ou lois de la ville, de la province ou du pays en matière d'électricité, de plomberie, incluant une installation non conforme aux règlements et codes du bâtiment et des services d'incendie.
- L'usure normale, les déversements d'aliments ou de liquides, les accumulations de graisse ou d'autres substances qui s'accumulent sur, dans ou autour de l'appareil.
- Toute force et facteur extérieur causé par les éléments ou l'environnement, incluant, mais sans s'y limiter, la pluie, le vent, le sable, les inondations, les coulées de boue, les températures extrêmes, l'humidité excessive ou l'exposition prolongée à l'humidité, la foudre, les pannes de courant, les défaillances structurales autour de l'appareil et les catastrophes naturelles.
- En aucun cas BSH ne peut être tenu responsable de dommages aux biens environnants, incluant les armoires de cuisine, les planchers, les plafonds et toute autre structure ou objet entourant l'appareil. Également exclus de cette garantie sont les appareils dont les numéros de série ont été modifiés, effacés ou rendus illisibles ; les visites de service visant à vous enseigner comment utiliser l'appareil ou les visites qui ne révèlent aucune défaillance à l'appareil ; la correction des problèmes d'installation (vous êtes seul responsable de la mise en place de l'appareil, notamment au niveau de l'électricité, de la plomberie et des autres installations de raccordement, des

fondations et planchers et des modifications incluant, mais sans s'y limiter, les armoires, les murs, les planchers, les étagères, etc.) et le réenclenchement des disjoncteurs ou le changement des fusibles.

SELON LES LIMITES PERMISES PAR LA LOI, CETTE GARANTIE VOUS ACCORDE DES RECOURS EXCLUSIFS RELATIVEMENT AU PRODUIT, QUE LA RÉCLAMATION SURVIENNENT DE PAR LE CONTRAT OU PAR DÉLIT CIVIL (INCLUANT LA RESPONSABILITÉ STRICTE OU LA NÉGLIGENCE) OU DE TOUTE AUTRE FAÇON. CETTE GARANTIE REMPLACE TOUTE AUTRE GARANTIE, QU'ELLE SOIT EXPRESSE OU IMPLICITE. TOUTE GARANTIE IMPLICITE EN VERTU DE LA LOI, QU'ELLE CONCERNE LA QUALITÉ MARCHANDE OU L'ADAPTATION À DES FINS PARTICULIÈRES, OU AUTREMENT, NE SERA EN VIGUEUR QUE POUR LA PÉRIODE PENDANT LAQUELLE LA GARANTIE EXPRESSE LIMITÉE EST EN VIGUEUR. EN AUCUN CAS LE FABRICANT NE PEUT ÊTRE TENU RESPONSABLE DES DOMMAGES INDIRECTS, PARTICULIERS, CONSÉCUTIFS, DÉCOULANT D'UNE « PERTE COMMERCIALE » ET/OU PUNITIFS, DES PERTES OU DÉPENSES, INCLUANT, MAIS SANS S'Y LIMITER, LE TEMPS PASSÉ LOIN DU TRAVAIL, LES HÔTELS ET/OU LES REPAS AU RESTAURANT, LES FRAIS DE REMODELAGE QUI DÉPASSENT LES DOMMAGES DIRECTS DÉFINITIVEMENT ET EXCLUSIVEMENT CAUSÉS PAR BSH OU AUTREMENT. CERTAINS ÉTATS OU PROVINCES NE PERMETTENT PAR L'EXCLUSION OU LA LIMITATION DES DOMMAGES CORRÉLATIFS OU IMPRÉVUS ET CERTAINS ÉTATS OU PROVINCES NE PERMETTENT PAS D'ACCORDER UNE LIMITE DE DURÉE À LA GARANTIE IMPLICITE. PAR CONSÉQUENT LES LIMITATIONS CI-DESSUS POURRAIENT NE PAS S'APPLIQUER À VOUS. CETTE GARANTIE VOUS ACCORDE DES DROITS LÉGAUX SPÉCIFIQUES ET VOUS POURRIEZ ÉGALEMENT DISPOSER D'AUTRES DROITS QUI VARIENT D'UN ÉTAT À L'AUTRE ET D'UNE PROVINCE À L'AUTRE.

Aucune tentative de modifier ou d'amender cette garantie ne sera considérée comme applicable à moins qu'elle n'ait été autorisée par écrit par un responsable de BSH.

Enregistrez votre appareil auprès de BSH afin de vous assurer un service rapide et l'accès aux renseignements qui concernent votre appareil. Vous pouvez enregistrer votre appareil de l'une des façons suivantes :

1. Envoyez par la poste votre carte d'enregistrement de produit THERMADOR complétée.
2. Enregistrez votre produit en ligne à l'adresse www.thermador.ca.
3. Communiquez avec le service à la clientèle de THERMADOR au numéro 1-800-735-4328.

Índice de materias

Seguridad	97	Recomendaciones para hornear	124
Descripción	104	Convección	125
Modelo y de Identificación de piezas	104	Consejos para el horneado por convección	125
Antes de comenzar	106	Cómo deshidratar alimentos con el modo de cocción a convección.....	127
Cómo comenzar.....	106	Warm (algunos modelos).....	128
Placa con información del aparato.....	106	Proof (algunos modelos)	129
Rejillas de la hornilla	106	Otros usos del horneado	129
Quemadores de superficie.....	107	Broil y Conv Broil (algunos modelos).....	130
Funcionamiento de la hornilla	107	Recomendaciones para asar.....	131
Usar la Parrilla	108	Cuidado y Mantenimiento	132
Quemadores sellados	108	Autolimpieza de la hornilla (algunos modelos) .	132
Quemadores ExtraLow	110	Consejos de limpieza.....	133
Recomendaciones para los utensilios de cocina	112	Recomendaciones de limpieza.....	135
Recomendaciones de cocción con los quemadores	114	Mantenimiento hecho por usted mismo	140
Plancha eléctrica (algunos modelos).....	116	Reemplazar una bombilla.....	140
Recomendaciones para usar la plancha.....	117	Antes de Solicitar Servicio	141
Parrilla eléctrica (algunos modelos).....	119	Placa con información del aparato	141
Recomendaciones para cocinar con la parrilla .	121	Información para el servicio técnico	141
Usar la hornilla	122	Resolución de problemas	142
Funcionamiento de la hornilla	122	Garantía Limitada del Producto	143
Bake y Convection Bake	123	Servicio, piezas y accesorios	contraportada
Extended Bake	124		
Hornilla secundaria	124		

Definiciones de seguridad

⚠ ADVERTENCIA

Esto indica que se pueden producir lesiones graves o la muerte si no se cumple con esta advertencia.

⚠ PRECAUCIÓN

Esto indica que pueden producirse lesiones leves o moderadas si no se cumple con esta advertencia.

NOTA: Esto indica que puede producirse un daño al electrodoméstico o a la propiedad como resultado de la falta de cumplimiento de este aviso.

Nota: Esto lo alerta sobre información y/o consejos importantes.

Este electrodoméstico de
THERMADOR® está hecho por
BSH Home Appliances Corporation
1901 Main Street, Suite 600
Irvine, CA 92614

¿Preguntas?

1-800-735-4328

www.thermador.com

¡Esperamos oír de usted!

Seguridad



INSTRUCCIONES IMPORTANTES DE SEGURIDAD LEA Y GUARDE ESTAS INSTRUCCIONES

Lea atentamente todas las instrucciones antes de usarlo

ADVERTENCIA

Si no sigue rigurosamente la información contenida en este manual podría provocar un incendio o una explosión, y como resultado daños a la propiedad, lesiones o la muerte.

- No guarde o use materiales combustibles, gasolina u otros productos inflamables, bajo cualquier tipo de forma, cerca de este o cualquier otro aparato.
- QUÉ HACER EN CASO DE OLER A GAS
 - No trate de encender ningún aparato.
 - No toque ningún interruptor eléctrico.
 - No use ningún teléfono en su casa.
 - Llame de inmediato a su proveedor de gas desde el teléfono de algún vecino y siga las instrucciones de su proveedor de gas.
 - Cuando no pueda localizar a su proveedor de gas, llame a los bomberos.
- **Un instalador cualificado, una agencia de servicio autorizada o el proveedor de gas debe realizar la instalación y el servicio.**

ADVERTENCIA



Un niño o un adulto podrían volcar el aparato y perder la vida. Asegúrese de que el dispositivo antivuelco esté instalado adecuadamente y que su soporte sujete la pata del aparato al reinstalarlo en su sitio.

No utilice el aparato si el dispositivo antivuelco no está instalado. El hecho de no leer las instrucciones de este manual puede causar la muerte o graves quemaduras a niños y adultos.

Asegúrese de que el soporte antivuelco esté bien instalado y debidamente utilizado. Incline levemente la estufa por delante tirando de la parte posterior para asegurarse de que el soporte antivuelco esté bien enganchado en la base moldada de aluminio y que el aparato no pueda volcar. La estufa no debería poder moverse más de una pulgada (2,5cm).

ADVERTENCIA

Con un cuidado adecuado, su nuevo aparato ha sido diseñado para ser seguro y fiable. Lea atentamente estas instrucciones antes de usar el aparato para reducir el riesgo de fuego, de descarga eléctrica o de lesiones. Cuando use aparatos de cocina, se deben tener en cuenta precauciones básicas, incluyendo las que aparecen en las páginas siguientes.

Requisitos de instalación acerca del suministro de gas y de la alimentación eléctrica e instrucciones para la toma de tierra

Verificación del tipo de gas

Verifique el tipo de gas del suministro. Asegúrese de que el aparato esté conectado al tipo de gas para el cual está certificado. Los modelos vienen de fábrica con certificado para un uso con gas natural o gas propano. Asegúrese de que su estufa y el tipo de gas sean el mismo. Consulte la placa de señalización del producto que se encuentra como se indica en la “*Antes de Solicitar Servicio*”.

PRECAUCIÓN

Cuando conecte el aparato con gas propano, asegúrese de que el tanque de gas propano venga con su propio regulador de alta presión además del regulador de presión que se incluye con la estufa. **La máxima presión de gas de este aparato no debe exceder 14,0 pulgadas de columna de agua (34 mb) del tanque de gas propano al regulador de presión.**

IMPORTANTE:

Excepto en los modelos PRD305PH, PRG305PH y PRL305PH, se debe utilizar una consola trasera baja en las instalaciones contra las superficies combustibles. La consola trasera baja THERMADOR® se vende por separado. Cuando se instala sobre una superficie combustible, se debe usar una consola trasera baja o un estante alto. Se debe comprar por separado una consola trasera baja o un estante alto THERMADOR.



INSTRUCCIONES IMPORTANTES DE SEGURIDAD

LEA Y GUARDE ESTAS INSTRUCCIONES

Cuando se utiliza el adorno de isla THERMADOR, hace falta un espacio libre trasero mínimo de 12 pulg. (305 mm) entre el aparato y la superficie combustible. Los espacios libres para las materias no combustibles no forman parte de la norma ANSI Z21.1 y no están certificados por la CSA. Los códigos locales o la autoridad local competente deben aprobar los espacios libres de menos de 12 pulg. (305 mm).

ADVERTENCIA

Para evitar un posible riesgo de quemaduras o fuego se debe instalar una consola trasera de protección diseñada específicamente para esta estufa antes de utilizarla. Consulte el manual de instalación proporcionado con el aparato para obtener más información.

ADVERTENCIA

Quite siempre el enchufe eléctrico del enchufe de la pared antes de dar servicio a la estufa.

PRECAUCIÓN

Por cuestión de seguridad personal, este aparato debe estar conectado a una alimentación eléctrica polarizada con una toma de tierra adecuada.

ADVERTENCIA

No se debería instalar este aparato con un sistema de ventilación de corriente descendiente. Este tipo de sistema de ventilación puede presentar riesgo de ignición y problemas de combustión, provocando lesiones corporales, daños materiales o un funcionamiento involuntario. No se aplica ninguna restricción a los sistemas de ventilación de corriente ascendiente.

Lea las instrucciones de instalación para conocer los requisitos de alimentación eléctrica y de toma de tierra.

Recomendamos proporcionar un circuito dedicado para alimentar este aparato.

El uso de estufas de gas produce calor y humedad.

Es responsabilidad y obligación del usuario asegurarse de que un electricista cualificado conecte este aparato a la alimentación eléctrica conforme al código eléctrico nacional y/o a los códigos y regulaciones locales vigentes.

PROBADO CONFORME A:

- ANSI Z21.1 – norma americana para aparatos domésticos de gas
- UL 858 – norma de seguridad para estufas eléctricas domésticas
- CSA-C22.2 No 61 – norma canadiense para estufas domésticas
- CAN1.1-M81 – estufas domésticas de gas

Consulte los códigos locales que se apliquen a su caso de construcción para un correcto método de instalación. Si no hay códigos locales, se debe instalar esta unidad conforme al Código Nacional de Gas americano No. Z223.1, edición actual, y el Código Eléctrico Nacional americano ANSI/NFPA No. 70, edición actual, o bien al Código de instalación Can - B149 para aparatos de gas y al Código Eléctrico Canadiense C22.1 Parte 1.

Vea las instrucciones de instalación para conocer los requisitos de alimentación eléctrica y de toma de tierra.

PRECAUCIÓN

EN CASO DE FALLO ELÉCTRICO

Si por algún motivo una perilla de gas está prendida y no hay corriente eléctrica para operar los encendedores eléctricos en los quemadores de gas de la estufa, **apague la perilla de control y espere 5 minutos** para que se disipe el gas antes de prender el quemador manualmente.

Para prender los quemadores manualmente, sostenga un cerillo prendido cerca de los orificios del quemador y gire la perilla de control de gas a HI.

Durante un fallo de luz, usted puede usar los quemadores estándares de la estufa, pero los debe encender con un cerillo.

NO trate de encender los quemadores XLO[®] manualmente. Estos quemadores vienen equipados con la opción ExtraLow[®] y no se pueden encender manualmente.



INSTRUCCIONES IMPORTANTES DE SEGURIDAD

LEA Y GUARDE ESTAS INSTRUCCIONES

Es responsabilidad del dueño y del instalador determinar si requisitos o normas adicionales se aplican a la instalación específica.

PRECAUCIÓN

No almacene objetos de interés para los niños encima de la estufa o en la parte trasera de ésta. Podrían subir sobre la estufa para alcanzarlos y sufrir heridas serias.

Prácticas de seguridad básicas

Con el cuidado adecuado, su nueva estufa PROFESSIONAL® de THERMADOR ha sido diseñada para ser un aparato seguro y fiable. Sin embargo, tenga mucho cuidado cuando use esta estufa de tamaño comercial ya que este tipo de aparato genera mucho calor. Cuando use aparatos de cocina, se deben tener en cuenta precauciones básicas, incluyendo las siguientes:

Lea atentamente este manual de uso y cuidado antes de usar su nueva estufa para reducir el riesgo de fuego, de descarga eléctrica o de lesiones.

Se deben efectuar correctamente la instalación y el mantenimiento de este aparato. Siga las instrucciones de instalación que se incluyen con el producto. Asegúrese de que un técnico cualificado instale el aparato y haga la toma de tierra de la estufa.

Pídale al instalador que le muestre dónde se encuentra la válvula de cierre de gas y el disyuntor, de manera que usted sepa cómo y dónde apagar el suministro de gas y la alimentación eléctrica de la estufa.

En el caso de que haya un escape de gas en un quemador, abra una ventana o una puerta. No intente usar la estufa antes de que el gas se haya disipado. Espere como mínimo cinco minutos antes de usar la estufa.

No repare o reemplace ninguna parte del aparato a menos que haya sido recomendado específicamente en este manual. Para cualquier otro servicio, contrate a un técnico cualificado.

Nunca se deben dejar solos a niños en un área donde se use un aparato. Nunca se les debe permitir sentarse o subir sobre ninguna parte de la estufa. Cuando se les permita usar la estufa a los niños, éstos deben estar supervisados de cerca por un adulto.

No cuelgue artículos de ninguna parte del aparato y no apoye nada contra la hornilla. Algunas telas son muy inflamables y pueden prender fuego.

Si la estufa está cerca de una ventana, asegúrese de que las cortinas no alcancen los quemadores de la estufa ya que podrían arder.

Nunca use ninguna parte de la estufa o de la hornilla para almacenar cosas. Los materiales inflamables pueden arder y los artículos de plástico pueden derretirse o quemarse.

ADVERTENCIA

PARA REDUCIR LOS RIESGOS DE INCENDIO DE LA GRASA:

- Nunca deje la estufa sin atención cuando cocine a fuego alto. Los derrames causan humo y la grasa derramada puede arder. Caliente el aceite lentamente, a fuego lento o medio.
- Siempre encienda la campana cuando cocine a fuego alto o flamee alimentos (p.e. crepes Suzette, cerezas al jubileo, carne flameada a la pimienta).
- Limpie los ventiladores frecuentemente. No deje que la grasa se acumule sobre los ventiladores o los filtros.
- Use ollas de tamaño adecuado. Siempre use utensilios de cocina adecuados para el tamaño del fogón o del quemador.

Asegúrese de que siempre haya un detector de humo que funcione cerca de la cocina.

NO permita que nadie se ponga de pie, se siente o se cuelgue de alguna de las piezas del aparato, particularmente de una puerta. Esto podría dañar el aparato o hacerlo volcar, causando graves lesiones.

Tenga un extintor apropiado a su disposición, cerca, muy visible y fácilmente accesible al lado del aparato.

Sofoque las llamas de los alimentos ardiendo, que no sea fuego de grasa, con bicarbonato sódico. Nunca utilice agua en incendios de cocina.

Cuando sea posible, apague el sistema de ventilación si hay fuego en su estufa. No intente alcanzar las perillas a través del fuego para apagarlas.

Cuando los niños lleguen a la edad suficiente para operar el aparato, es responsabilidad legal de los padres o de los tutores legales asegurar que personas cualificadas los instruyan sobre prácticas seguras.



INSTRUCCIONES IMPORTANTES DE SEGURIDAD

LEA Y GUARDE ESTAS INSTRUCCIONES

Nunca permita el contacto de ropa, asas de ollas u otros materiales inflamables con ningún quemador infrarrojo, quemador superior o rejilla del quemador hasta que se haya enfriado. Las telas pueden encenderse y causar lesiones serias.

Siempre use asas secas para las ollas: Las asas mojadas o húmedas pueden causar quemaduras por el vapor. No use una toalla u otro trapo que estorbe en lugar de las asas. No permita que las asas toquen rejillas de quemadores, quemadores infrarrojos, o quemadores calientes.

ADVERTENCIA

PARA REDUCIR LOS RIESGOS DE LESIONES, EN EL CASO DE UN INCENDIO DE GRASA, LEA LO SIGUIENTE:

- SOFOQUE LAS LLAMAS con una tapa ajustada, una hoja u otra bandeja metálica, luego apague el quemador de gas o el fogón. TENGA CUIDADO de no quemarse. Si las llamas no desaparecen enseguida, EVACUE LA COCINA Y LLAME EL SERVICIO DE INCENDIOS.
- NUNCA TOME UNA SARTÉN EN LLAMAS – Podría quemarse.
- NO USE AGUA o un trapo o una toalla mojada: se producirá una explosión de vapor.
- Use un extintor SÓLO si:
 - Sabe que tiene un extintor de tipo ABC y sabe cómo usarlo.
 - El fuego es pequeño y se limita al sitio donde comenzó.
 - Ya ha llamado al servicio de incendios.
 - Puede luchar contra el fuego y tiene acceso a una salida

Al cocinar alimentos grasientos sobre los quemadores, la parrilla o la plancha: los quemadores adyacentes pueden arder y provocar humo. Tenga cuidado de no quemarse.

Por cuestiones de seguridad use ropa adecuada. No use ropa holgada o mangas que cuelguen cuando use este aparato. Algunas telas sintéticas son muy inflamables y no deben usarse cuando cocina.

ADVERTENCIA

El aparato sirve para cocinar. Basado en consideraciones de seguridad, nunca use la hornilla o la estufa para calentar una habitación. Además, tal uso puede dañar las partes de la estufa o de la hornilla.

ADVERTENCIA

RIESGO DE VUELCO DE LA ESTUFA

- Todas las estufas pueden volcarse y producir lesiones. Para prevenir el vuelco accidental de la estufa, fíjela a la pared, al piso o al gabinete con el dispositivo antivuelco que se incluye.
- Cuando no se instala el aparato de acuerdo con estas instrucciones, existe el riesgo de que se vuelque.
- Cuando jale la estufa de la pared por motivos de limpieza, servicio u otra razón, asegúrese de volver a insertar correctamente el dispositivo antivuelco cuando empuje la estufa contra la pared. Sino, en el caso de un uso poco normal de la estufa (por ejemplo si alguien trepa, se sienta o se apoya sobre una puerta abierta), ésta podría volcarse. El hecho de ignorar esta precaución puede causar el vuelco de la estufa, lo que podría causar lesiones debido a líquidos calientes derramados o al peso mismo de la estufa.

ADVERTENCIA

NUNCA utilice esta unidad como un calentador para calentar el cuarto. El hacerlo puede sufrir una intoxicación por monóxido de carbono y sobrecalentamiento de la hornilla.

ADVERTENCIA

Advertencias en virtud de la Proposición 65 del estado de California:

Este producto contiene una o más sustancias químicas que el estado de California sabe que provocan cáncer, defectos congénitos, u otro daño reproductivo.

No use papel de aluminio para forrar ninguna parte de la hornilla o de la estufa. De lo contrario podría causar una descarga eléctrica o un fuego, o se podría obstruir el flujo del aire de combustión y de ventilación. El aluminio es un excelente aislante térmico y retiene el calor. Su utilización afectará a la cocción y podría dañar el acabado de la hornilla o de la estufa.

Cuando usa la estufa: NO TOQUE LAS REJILLAS DE LOS QUEMADORES O EL ÁREA CERCANA. Las áreas cercanas a los quemadores pueden calentarse suficientemente para causar quemaduras.



INSTRUCCIONES IMPORTANTES DE SEGURIDAD

LEA Y GUARDE ESTAS INSTRUCCIONES

Nunca deje el aparato sin atención cuando cocine a muchas temperaturas. Los derrames causan humo y puede arder la grasa derramada. Además, si se sofocan las llamas de un quemador, se escapará gas a la habitación. Vea la *página 1* para tener más información sobre fugas de gas.

Use solamente ciertos tipos de utensilios de vidrio, vidrio cerámico refractario, cerámica, barro u otros vidrios que estén disponibles para cocinar con los quemadores de la estufa. Este tipo de utensilio puede romperse con cambios repentinos de temperatura. Utilice solamente llama media o baja según las indicaciones del fabricante del utensilio.

No caliente recipientes cerrados. La presión acumulada puede causar que el contenedor explote y provocar lesiones.

ADVERTENCIA

Evite el uso de llamas altas con una olla más grande que la rejilla o con una olla que abarque más de un quemador, como una plancha, por periodos largos de tiempo. Esto puede causar una mala combustión que genere derivados nocivos.

Tenga cuidado y asegúrese de que las corrientes de aire producidas por aberturas de ventilación o ventiladores no lleven material inflamable hacia las llamas o que empujen las llamas de modo que éstas se extiendan más allá de los bordes de la olla.

Siempre use ollas con un fondo plano suficientemente grandes para cubrir el quemador. El uso de ollas muy pequeñas podría dejar expuesta una parte de la llama y causar que la ropa se prenda.

Para minimizar el riesgo de quemaduras, el encendido de materiales inflamables y derrames por accidente, coloque los mangos de los utensilios hacia adentro de modo que no se extiendan encima de áreas cercanas de trabajo, áreas de cocinar o el borde de la estufa.

Agarre el mango de la olla para evitar que se mueva el utensilio cuando remueva o voltee alimentos.

No use detergentes inflamables para limpiar la estufa.

Las ollas grandes, las bandejas para galletas, etc. nunca se deben usar en la plancha.

No use la placa de la plancha para cocinar carnes muy grasas o productos que ardan fácilmente.

Quite la tabla de cortar opcional de la cubierta de la plancha antes de utilizar la plancha o los quemadores adyacentes.

LA GRASA ES INFLAMABLE. Permita que la grasa caliente se enfríe antes de tratar de manipularla. Evite la acumulación de depósitos de grasa. Limpie después de cada uso.

Para que se enciendan y funcionen correctamente los quemadores, mantenga limpios los orificios de los encendedores. Límpielos cuando haya un derrame de alimentos hervidos o cuando el quemador no se encienda bien, aunque funcione el sistema de encendido electrónico.

ADVERTENCIA

Apague el quemador después de un derrame de alimentos y limpie el área alrededor de los orificios de los quemadores. Después de la limpieza, asegúrese de que funcione normalmente.

Limpie la estufa cuidadosamente. Evite quemaduras de vapor: no use una esponja o un trapo húmedo para limpiar la estufa cuando esté caliente. Algunos detergentes producen vapores nocivos cuando son aplicados a una superficie caliente. Siga las indicaciones del fabricante del detergente.

Asegúrese de que todos los controles de la estufa estén apagados y que la plancha esté fría antes de usar algún tipo de detergente aerosol encima o alrededor de la estufa. Los químicos provocados por la acción del spray podrían inflamarse o causar la corrosión de partes metálicas en presencia de calor.

Cuando use la hornilla: no toque los quemadores infrarrojos, las superficies internas de la hornilla o el área exterior alrededor de la puerta. Las superficies internas de la hornilla se calientan suficientemente para poder causar quemaduras. El deflector de calor, que desvía el calor de la estufa y del adorno hacia arriba y hacia los lados de la puerta de la hornilla, se calienta también cuando se usa la hornilla.

Quite todas las cintas y el embalaje del aparato antes de utilizarlo. Destruya el material de embalaje después de la instalación del aparato. Nunca deje que los niños jueguen con el material de embalaje.



INSTRUCCIONES IMPORTANTES DE SEGURIDAD

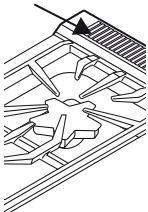
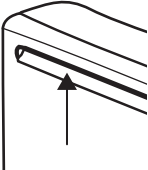
LEA Y GUARDE ESTAS INSTRUCCIONES

Coloque las rejillas de la hornilla en la posición deseada mientras que la hornilla está fría. Cuando se deba quitar una rejilla mientras que la hornilla está caliente, no permita que las agarraderas entren en contacto con el quemador infrarrojo.

Tenga cuidado al abrir la puerta de la hornilla; permita que el aire caliente o el vapor salga antes de sacar o introducir alimentos.

Antes de proceder a la autolimpieza de la hornilla, quite la bandeja de asar, las rejillas, los demás utensilios y las acumulaciones de suciedad.

NO OBSTRUYA el flujo del aire de combustión o de ventilación.

ADVERTENCIA	
	<p>NO bloquee y NO obstruya las aberturas de la rejilla de ventilación. La rejilla de ventilación se sitúa detrás del aparato. La rejilla de ventilación debe estar despejada y abierta para permitir la circulación de aire necesaria para el buen funcionamiento del aparato.</p>
	<p>NO toque la zona de alrededor de la rejilla de ventilación cuando esté funcionando el aparato ni durante varios minutos después de la utilización del mismo. Algunas piezas de la rejilla de ventilación y de la zona adyacente llegan a estar suficientemente calientes como para provocar quemaduras. Deje tiempo suficiente para que el aparato pueda enfriarse antes de tocarlo o limpiarlo.</p>
	<p>No coloque objetos de plástico o de otras materias sensibles al calor en la rejilla de ventilación o cerca de ella. Podrían prender fuego.</p>

No debe limpiar, frotar, dañar, mover o quitar el cierre hermético de la puerta. Es esencial para un buen sellado durante el horneado y cuando se procede a la autolimpieza de la hornilla. Si el cierre está gastado o muy sucio, reemplácelo para garantizar una buena estanquidad.

Al cocinar, ajuste los quemadores para que las llamas sólo calienten el fondo de la olla sin extenderse más allá de la base.

Por razones de seguridad y para evitar daños al aparato, nunca se siente o se apoye en la puerta de la hornilla, y tampoco se ponga de pie sobre ella.

Para evitar el riesgo de incendio, limpie frecuentemente la campana y sus filtros para impedir las acumulaciones de grasa.

En caso de incendio, si flamea intencionalmente alcohol en la placa de cocción, siga las instrucciones del fabricante. Tenga cuidado al cocinar con alcohol (ej.: ron, brandy, bourbon) en la hornilla. El alcohol se evapora a altas temperaturas. Los vapores de alcohol pueden arder y causar riesgo de quemadura. Sólo use pequeñas cantidades de alcohol con los alimentos.

Tenga en cuenta que algunas personas y algunos animales pueden ser sensibles a los olores que se desprenden del aparato durante el proceso de autolimpieza, que pueden tratarse de residuos de fabricación o de restos de alimentos que se están quemando. Por consiguiente, recomendamos que esas personas o animales estén fuera de la cocina durante el proceso de autolimpieza.

Proteja el dispositivo de autolimpieza. Limpie solamente las partes indicadas en este manual. No use ningún tipo de detergente comercial para hornilla o recubrimientos de protección para la camisa interior de la hornilla dentro o alrededor de la hornilla de autolimpieza.

Escuche con atención para asegurarse de que el ventilador de enfriamiento esté siempre en funcionamiento cuando se usen las funciones BROIL o BAKE, una vez que la temperatura de la hornilla supera 300 °F (149 °C). Se el ventilador no funciona, no use la hornilla. Llame una agencia de servicio autorizada para obtener servicio. Por cuestiones de seguridad y para no dañar el equipo, nunca debe sentarse, pararse o recostarse contra la puerta de la hornilla.

Solamente técnicos autorizados deben dar servicio. Los técnicos deben desconectar la fuente de alimentación antes de dar servicio a esta unidad.

No almacene o use químicos corrosivos, vapores, productos inflamables o no alimenticios en o cerca de este aparato. Este tipo de estufa está diseñado específicamente para calentar o cocinar alimentos. El uso de químicos corrosivos cuando caliente o limpie la estufa puede dañar el aparato y causar lesiones.



INSTRUCCIONES IMPORTANTES DE SEGURIDAD

LEA Y GUARDE ESTAS INSTRUCCIONES

NUNCA cubra rendijas, agujeros o aberturas de la hornilla, o forre una rejilla entera con materiales como papel de aluminio. Podría obstruir el flujo del aire de combustión y de ventilación. Los forros de papel de aluminio también pueden atrapar el calor y causar un riesgo de incendio.

ADVERTENCIA

Para evitar el riesgo de quemaduras, ENCENDER la campana extractora al cocinar a fuego alto o al flambear.

No utilizar todos los elementos caloríficos o quemadores de gas simultáneamente a fuego alto durante un período prolongado de tiempo. (máx. 15 minutos).

Si la campana extractora está situada sobre una cocina de gas, utilizar la campana en el nivel máximo siempre que se estén usando tres o más quemadores de gas.

Evitar el uso del sistema de ventilación si se produce un incendio en la placa de cocción.

IMPORTANTE: Puede ser que la pared trasera se decolore al utilizar ciertos modos de cocción.

Descripción

Modelo y de Identificación de piezas

Descripción de los tableros de control

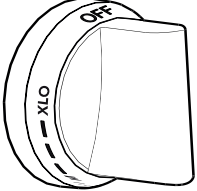
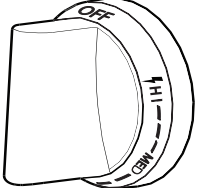
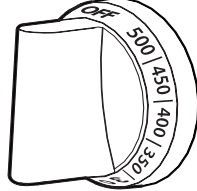
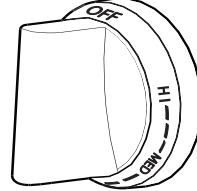
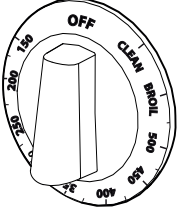
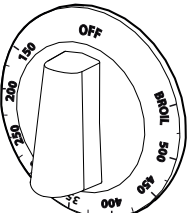
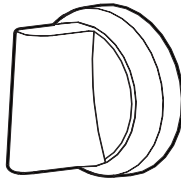
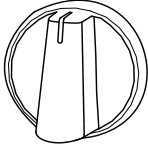

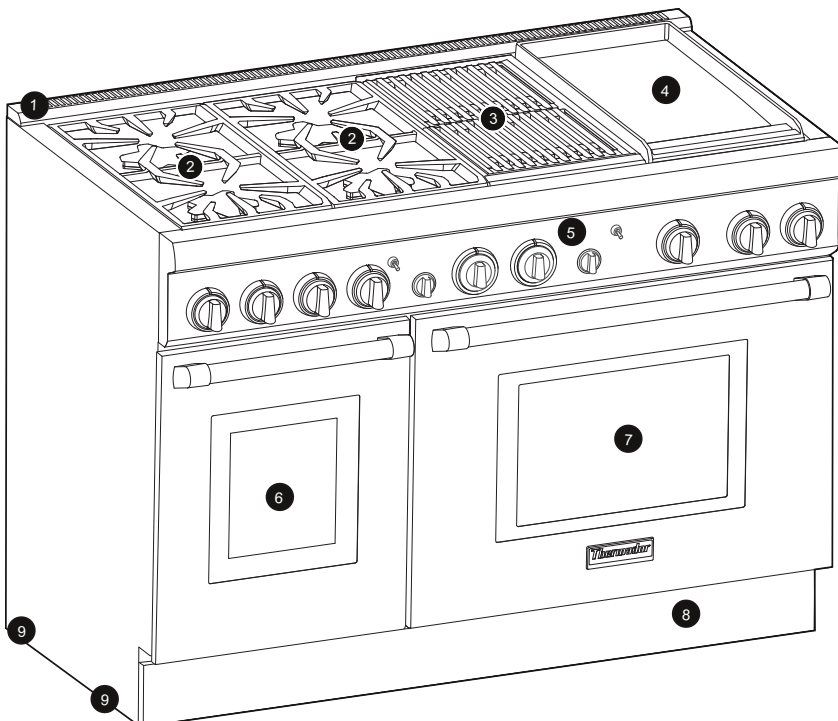
				
Perilla ExtraLow	Perilla estándar	Perilla de plancha	Perilla de parrilla	
				Selector de temperatura de la hornilla mixta
Selector de temperatura de la hornilla gas	Selector de modo de los modelos de 36"	Selector de modo de modelos 30" y 48"	Interruptor de la luz de la hornilla	

Tabla 1: Descripción de los tableros de control

Descripción de las estufas



El modelo mostrado es la estufa de 48 pulg. con parrilla y plancha (los modelos varían)

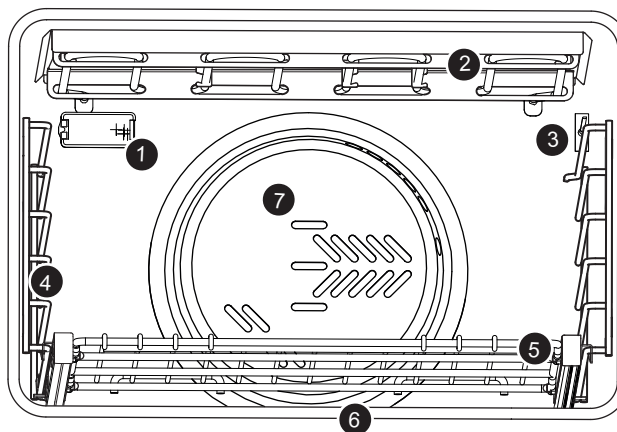
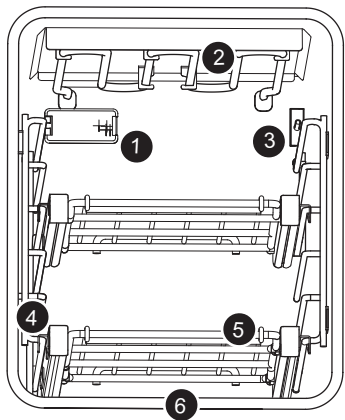
1. Moldura para isla (ilustración), consola trasera baja (vendida por separado) o adorno sin canto (sólo para los modelos de 305)
2. Rejillas y quemadores
3. Parrilla eléctrica (opción)
4. Plancha eléctrica (opción)
5. Tablero de control
6. Hornilla secundaria (modelos de 48 pulg. sólo)
7. Hornilla principal
8. Rodapié
9. Patas de la estufa

⚠ ADVERTENCIA:

Para asegurar una ventilación adecuada, NO quite las patas de la estufa.

Figura 1: 48" Modelos

Interior de la hornilla mixta



Interior de la hornilla eléctrica secundaria (sólo modelos de 48 pulg.)

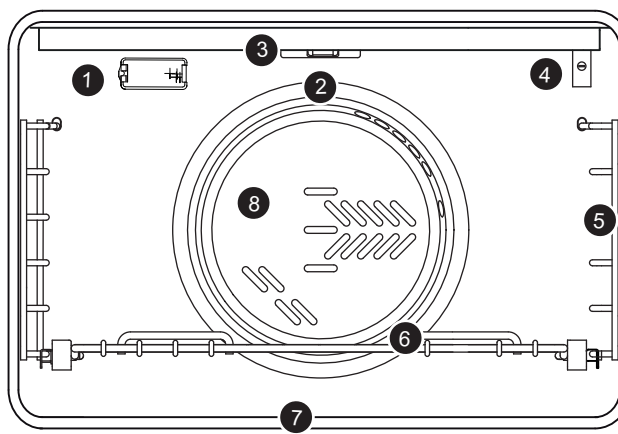
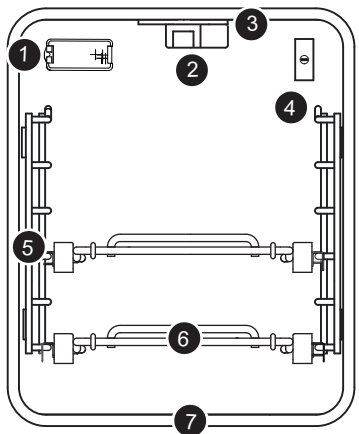
1. Luz interior del horno
2. Elemento de asar
3. Termostato del horno
4. Guías para rejillas
5. Rejillas deslizantes del horno (2 incluidas)
6. Quemador de la hornilla (oculto)

Interior del horno eléctrico

1. Luz interior del horno
2. Elemento de asar
3. Termostato del horno
4. Guías para rejillas
5. Rejillas del horno (3 incluidas)
6. Quemador de la hornilla (oculto)
7. Tapa del ventilador de convección

Figura 2: Interior de la hornilla mixta

Interior de la hornilla de gas



Interior de la hornilla gas secundaria (sólo modelos de 48 pulg.)

1. Luz interior del horno
2. Encendedor del grill
3. Quemador infrarrojos del grill
4. Sensor de temperatura de la hornilla
5. Guías para rejillas
6. Rejillas deslizantes del horno (2 incluidas)
7. Quemador de la hornilla (oculto)

Interior del horno de gas

1. Luz interior del horno
2. Encendedor del grill
3. Quemador infrarrojos del grill
4. Sensor de temperatura de la hornilla
5. Guías para rejillas
6. Rejillas deslizantes del horno (3 incluidas)
7. Quemador de la hornilla (oculto)
8. Ventilador de convección

Figura 3: Interior de la hornilla de gas

Antes de comenzar

Cómo comenzar

Placa con información del aparato

Anote el número de modelo y de serie en la “*Información para el servicio técnico*”. Esta información puede ser utilizada en el futuro cuando contacte a su proveedor de servicios o la fábrica. Escriba esta información en la tarjeta de registro que se incluye con este producto y luego envíela a la dirección indicada.

Rejillas de la hornilla

⚠ PRECAUCIÓN

Nunca se debe usar papel de aluminio para cubrir las rejillas de la hornilla o para forrar la hornilla. El uso incorrecto de papel de aluminio puede causar daños a la hornilla.

⚠ ADVERTENCIA

Para prevenir los riesgos de quemaduras, no quite ni desplace **NUNCA** las rejillas cuando esté encendida la hornilla o se esté enfriando.

Posición de las rejillas de la hornilla

La posición correcta de las rejillas depende de la receta y del modo de cocinar. **Las posiciones de rejillas están numeradas desde abajo hacia arriba, igual que un elevador.** La posición de rejilla 3 es la posición que se usa con mayor frecuencia. Coloque la(s) rejilla(s) en la posición correcta antes de encender la hornilla.

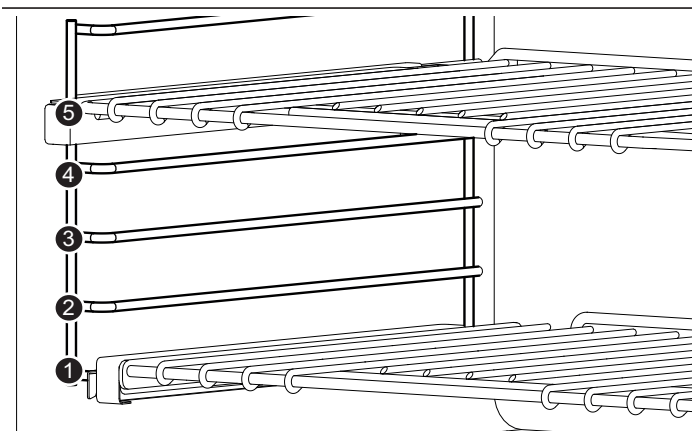
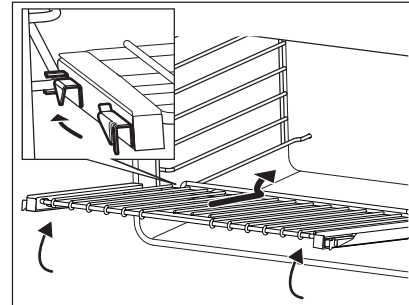


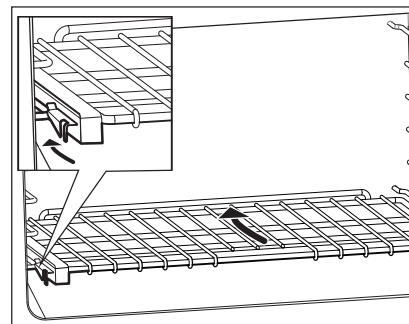
Figura 4: Posiciones de las rejillas en la hornilla

Como colocar las rejillas en la hornilla

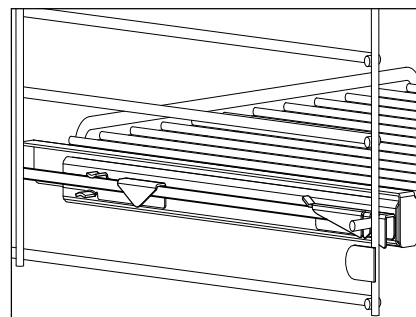
1. Sujete la rejilla en ángulo. Coloque los ganchos bajo la parte delantera de las ranuras de las guías.



2. Empuje la rejilla sobre la hornilla, levantándola por encima de los topes de seguridad situados en la parte delantera de las guías.
3. Sujete la rejilla recta.
4. Empuje la rejilla hasta el mismo nivel que los ganchos delanteros.



5. Levante la rejilla.
6. Empuje la rejilla hasta el fondo.
7. Inserte los ganchos delanteros de la rejilla en las ranuras.

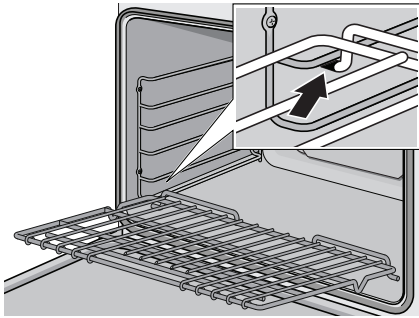


IMPORTANTE: Al instalar la rejilla corredera en la hornilla, asegúrese de que los soportes frontales de las ranuras descansen en las ranuras de las esquinas delanteras de la rejilla. Esto es necesario para que la rejilla se quede en la posición correcta cuando se encuentra en el interior de la hornilla.

Figura 5: Instalación de la rejilla deslizante de la hornilla

Introducir la rejilla plana en el horno

La rejilla está diseñada con un tope para que no se salga por completo del horno y no se incline.



1. Tome la rejilla firmemente de ambos lados.
2. Introduzca la rejilla (vea la imagen).
3. Inclínela hacia arriba para que se detenga al insertarse en la guía de la rejilla.
4. Coloque la rejilla en posición horizontal y empuje el resto hacia adentro hasta el tope. La rejilla debe estar derecha y plana, no torcida.

Figura 6: Introducir la rejilla plana en el horno

IMPORTANTE: Siempre quite las rejillas antes de proceder a la autolimpieza de la hornilla. Si las rejillas correderas se quedan en la hornilla durante la autolimpieza, los lubricantes del mecanismo de cada rejilla se dañarán y el acabado se decolorará.

SIEMPRE DEBE SACAR LAS REJILLAS ANTES DE INICIAR UN CICLO DE AUTOLIMPIEZA

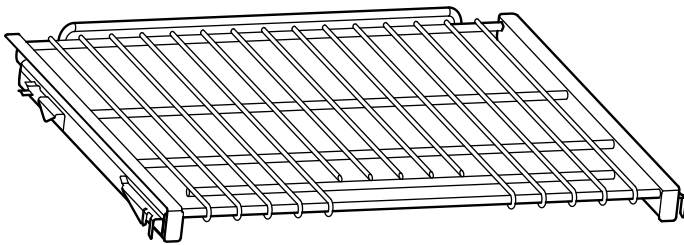


Figura 7: Rejilla corredera

SIEMPRE DEBE SACAR LAS REJILLAS ANTES DE INICIAR UN CICLO DE AUTOLIMPIEZA

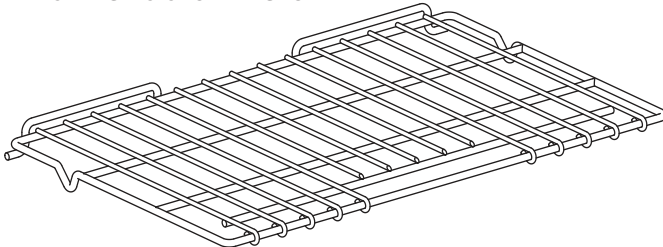


Figura 8: Rejilla plana

Quemadores de superficie

1. **Asegúrese de que las tapas de los quemadores STAR® estén bien colocados en sus bases** (vea “Verificación de la posición de las tapas de los quemadores” en la página 109.)
2. Encienda cada quemador para asegurarse de que el color de la llama es correcto. Consulte la sección “Descripción de la llama” en la página 111 para obtener más detalles.

Operación del horno

1. **Antes de usar la hornilla o el grill**, encienda la hornilla y el grill para quemar los aceites de fabricación recurriendo a uno de los métodos siguientes:
 - Encienda el sistema de ventilación (si la campana usada funciona con un sistema de recuperación de aire, abra una ventana). Ajuste la hornilla a 450°F (230°C) y déjelo funcionar durante 20-30 minutos. Luego, ajuste la estufa al modo BROIL durante el mismo periodo.
 - Encienda el sistema de ventilación (si la campana usada funciona con un sistema de recuperación de aire, abra una ventana). Quite las rejillas de la hornilla. Ajuste la hornilla al modo de autolimpieza y dejen terminar su ciclo (consulte la sección “Autolimpieza de la hornilla (sólo estufas mixtas)” en la página 132”).

Note que los pájaros domésticos pueden ser sensibles a los olores creados durante la utilización de la hornilla a temperaturas altas, que provengan de la combustión de residuos de fabricación o de alimentos. Así, se recomienda no dejar los pájaros domésticos en la cocina.

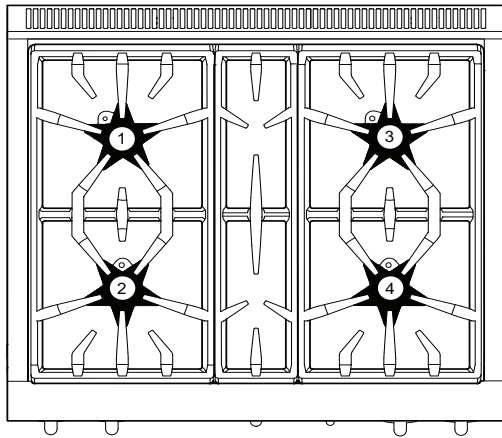
Las estufas emiten a veces olores particulares o humo cuando se usan por primera vez. Esos olores o este humo provienen de residuos de fabricación al ser quemados, lo que es típico en una nueva placa de cocción, sin importar el fabricante.

Por favor lea “Cuidado y Mantenimiento ” en la página 132 antes de limpiar las rejillas del horno.

NOTA: Es normal durante el proceso de enfriamiento que la hornilla eche aire caliente a la habitación donde se halla.

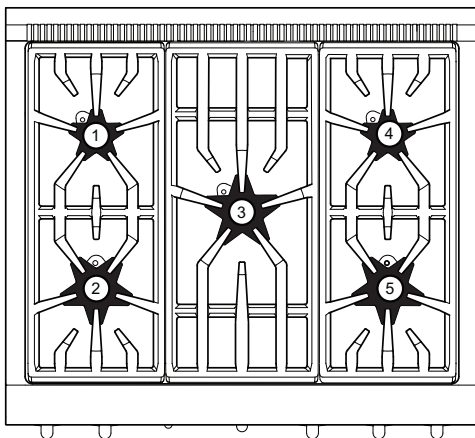
Usar la tabla de cocción

Quemadores STAR[®] sellados



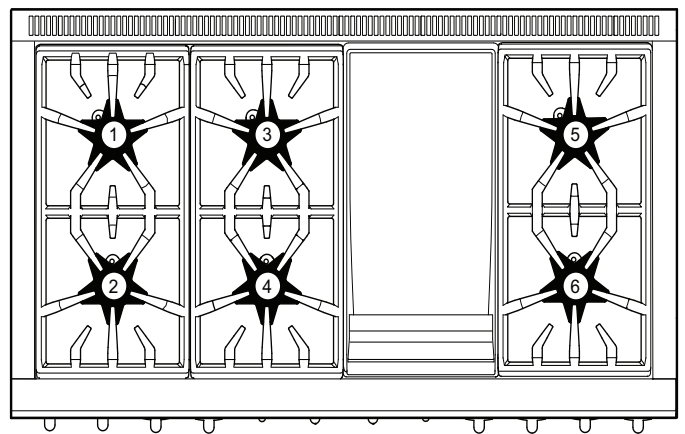
1. Trasero izquierdo (Gas Natural 18000 BTUs, LP 15000 BTUs) — Quemador ExtraLow[®]
2. Delantero izquierdo (Gas Natural 18000 BTUs, LP 15000 BTUs) — Quemador ExtraLow[®]
3. Trasero derecho (Gas Natural 18000 BTUs, LP 15000 BTUs)
4. Delantero derecho (Gas Natural 18000 BTUs, LP 15000 BTUs)

Figura 9: Modelo PRD304 y PR(G/L)304



1. Trasero izquierdo (Gas Natural 8000, LP 6000 BTUs) — Quemador ExtraLow[®]
2. Delantero izquierdo (Gas Natural 10000, LP 9100 BTUs)
3. Central (Gas Natural 15000, LP 11000 BTUs)
4. Trasero derecho (Gas Natural 8000, LP 6000 BTUs)
5. Delantero derecho (Gas Natural 18000 BTUs, LP 14000 BTUs) — Quemador ExtraLow[®]

Figura 10: Modelo PRD305 y PR(G/L)305



1. Trasero izquierdo (Gas Natural 18000 BTUs, LP 15000 BTUs) — Quemador ExtraLow[®]
2. Delantero izquierdo (Gas Natural 18000 BTUs, LP 15000 BTUs) — Quemador ExtraLow[®]
3. Trasero central (Gas Natural 18000 BTUs, LP 15000 BTUs)
4. Delantero central (Gas Natural 18000 BTUs, LP 15000 BTUs)
5. Trasero derecho (Gas Natural 18000 BTUs, LP 15000 BTUs)
6. Delantero derecho (Gas Natural 18000 BTUs, LP 15000 BTUs)

Figura 11: Modelo PRD364, PRD366, PRD486, PR(G/L)364, PR(G/L)366, PR(G/L)486

Colocación de las tapas de los quemadores

Cada tapa tiene una letra (B, D o F) grabada en la parte inferior de la tapa que corresponde a una letra (B, D o F) grabada en la base del quemador que está unida al electrodoméstico.

- Coloque la tapa de cada quemador en la base del quemador correcta según la designación de letra correspondiente.

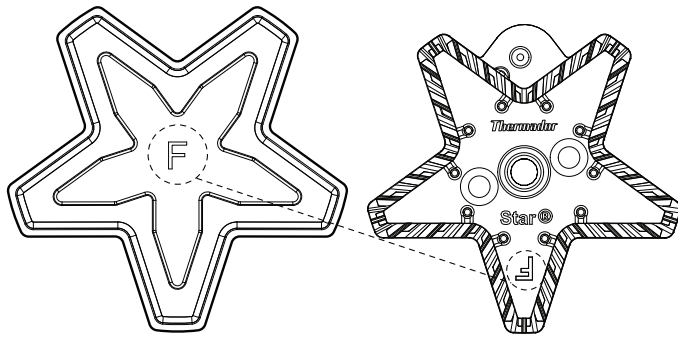


Figura 12: Componentes de los quemadores STAR

- Coloque la tapa del quemador suavemente sobre la base, de modo que los dientes de la base del quemador calcen bien en la ranura de la tapa del quemador.

Tapas de los quemadores

Para asegurar un funcionamiento correcto, se deben colocar correctamente las tapas de los quemadores STAR® sobre su base. Si la tapa no se coloca correctamente, podría ocurrir uno de los siguientes problemas:

- Las llamas del quemador son demasiado altas
- Llamas excesivas salen del quemador
- El quemador no se enciende
- Las llamas del quemador son irregulares
- El quemador desprende olores.

⚠ ADVERTENCIA

Para evitar que los productos se prendan fuego o que se creen gases nocivos, no use la superficie de la estufa si las tapas y las rejillas no están todas colocadas correctamente.

⚠ ADVERTENCIA

Para prevenir quemaduras, evite tocar las tapas y las rejillas de los quemadores cuando estén calientes. Apague la estufa y deje los quemadores enfriarse.

Verificación de la posición de las tapas de los quemadores

- Compruebe cada quemador para asegurarse de que no hay espacio entre la tapa y la base del quemador. Vea *Figura 13* para ejemplos de tapa de quemador instalada correctamente e incorrectamente.
- Puede intentar mover con cuidado las tapas de los quemadores lateralmente para asegurarse de que estén colocadas correctamente en su base. Cuando es el caso, las tapas están rectas en la base y cubren completamente la base del quemador en forma de estrella al mirirlas desde arriba, como se muestra en la *Figura 13*.

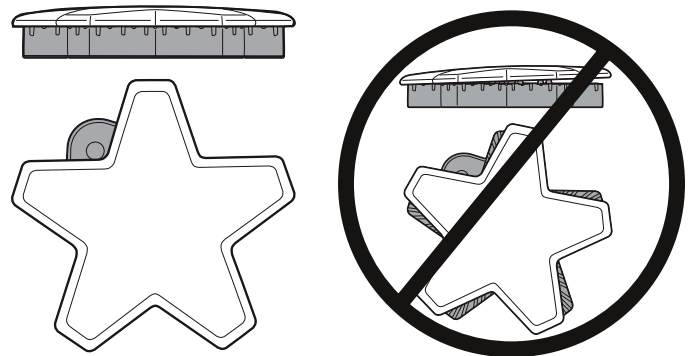


Figura 13: Tapa de quemador colocado correctamente

Colocación de las rejillas de los quemadores

Asegúrese de que las rejillas de los quemadores estén adecuadamente colocadas en la tabla de cocción antes de utilizar los quemadores de los fogones. Las rejillas están diseñadas para apoyarse en el hueco de la tabla de cocción.

Para instalar las rejillas de los quemadores, colóquelas con el lado plano hacia abajo y alinee las en el hueco de la tabla de cocción. Las rejillas tienen que apoyarse las unas sobre las otras y descansar en los bordes del hueco.

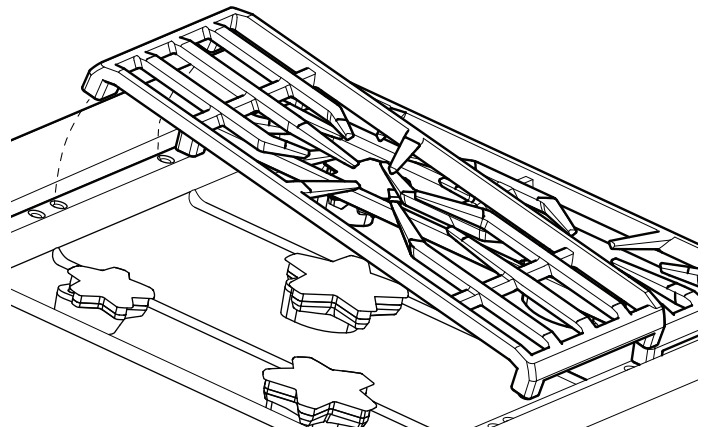


Figura 14: Colocación de las rejillas de los quemadores

Perillas de Control

Las perillas de control para dos quemadores sellados de gas, uno en la parte delantera y uno en el fondo, se encuentran directamente en frente de y debajo del par de quemadores en el panel de control.

Operación de los quemadores

1. Oprima la perilla y gírela en sentido opuesto a las agujas del reloj a la posición **HI**.
 - El encendedor del quemador seleccionado hace un chasquido y echa chispas.
 - Después de encender la llama, el chasquido del encendedor se detiene.
2. Gire la perilla a cualquier ajuste de la llama entre **HI** y **SIM**.
 - Se prende la luz azul de señal entre las perillas de los quemadores. Se enciende la luz cuando uno de los quemadores queda prendido y se apaga cuando está en la posición **OFF**.

Quemadores ExtraLow[®]

El control para el quemador XLO tiene ajustes de las llamas aún más bajos que los ajustes estándar para el modo **SIM** (hervir a fuego lento).

El dibujo muestra que la perilla de control tiene un rango adicional entre el ajuste **SIM** y **XLO**. Cuando se ajusta la perilla dentro de este rango, la llama se prende y se apaga. Variando la duración de tiempo que se prende y se apaga la llama, se puede reducir el calor aún más para cocinar alimentos delicados. Por ejemplo, estos ajustes de calor muy bajo son apropiados para hervir a fuego lento y para escalfar, derretir chocolate y mantequilla, mantener calientes alimentos cocidos a temperaturas sin quemarlos, etc.

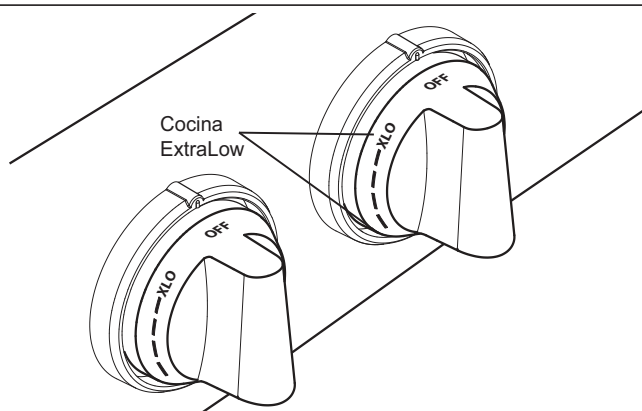


Figura 15: Perilla de control del quemador ExtraLow

Operación del quemador ExtraLow

- Se logra el ajuste más bajo de calor, **XLO**, al prender la llama por aprox. 7 segundos y apagarla por 53 segundos de cada minuto.
- Cuando se ajusta la perilla justamente debajo de la posición **SIM**, se prende la llama por aprox. 7 segundos y se apaga por 53 segundos de cada minuto.
- Para variar la cantidad de bajo calor y para adecuarse a los alimentos y las cantidades, se puede ajustar el control en cualquier posición dentro del rango de **SIM** y **XLO** marcado en la perilla.
- Las perillas XLO no funcionan durante el uso de la función de autolimpieza. Las perillas no funcionan hasta que se desbloquea la hornilla.

Técnicas ExtraLow

- El tipo y la cantidad de alimentos afectan al ajuste que se debe usar.
- La olla seleccionada afecta al ajuste de calor. Su tamaño, tipo, material y si se usa una tapa, todos afectan la consistencia de la temperatura de cocinar.
- Para mantener un bajo calor, se debe calentar el alimento hasta hervir. Revuelva bien, luego tape la olla y baje el calor a un ajuste un poco abajo de **SIM**.
- Revise periódicamente para ver si se debe girar la perilla de control a otro ajuste.
- Cuando se usa una olla extra grande, la acción de hervir a fuego lento (SIM) puede ocurrir principalmente en el centro de la olla. Para igualar la temperatura en todo el alimento, revuélvalo bien en los extremos exteriores de la olla hacia el centro del alimento.
- Es normal revolver el alimento de vez en cuando mientras lo hierve a fuego lento. Esto es muy importante cuando lo hace por varias horas, como para una salsa casera de espaguetis o frijoles.
- Cuando baja el ajuste de la llama, hágalo poco a poco.
- Si el ajuste está muy bajo para seguir hirviendo a fuego lento, vuelva a hervir el alimento antes de reajustar a un calor más fuerte.
- Es normal ver burbujas del fuego lento inmediatamente después de revolver el alimento.
- Puede haber burbujas cuando la llama se prende y se apaga en ciclos y ninguna burbuja cuando la llama está apagada. Aún cuando la llama está apagada, habrá vapor y una ligera agitación en la superficie del líquido.

Reencendido Automático

Cada quemador tiene su propio encendedor electrónico que echa chispas cuando se activa la perilla. Los quemadores deben encenderse en 4 segundos o menos. Si un quemador no se enciende, asegúrese de que la tapa esté colocada correctamente sobre la base.

Si se apagan las llamas de uno o más quemadores, el encendedor electrónico echa chispas automáticamente para volver a encender la llama. No toque los quemadores cuando los encendedores echen chispas.

⚠ PRECAUCIÓN

No toque los quemadores cuando los encendedores echan chispas.

IMPORTANTE:

- Para una combustión adecuada, no use la estufa sin tener las rejillas de los quemadores en su lugar.
- Hay un ligero sonido asociado con la combustión de gas y el encendido. Esto es normal.
- Con las placas de cocción alimentadas por propano, es posible que oiga un chasquido a nivel de los orificios de los quemadores STAR unos segundos después de apagarlos.

Apagón

⚠ ADVERTENCIA

En el caso de un apagón, se deben girar todas las perillas a la posición OFF. Solamente se pueden encender manualmente los quemadores estándares STAR.

- Solamente en el caso de una falla de electricidad pueden encenderse manualmente los quemadores estándares. Es necesario encender cada uno individualmente.
- Si se está usando la parrilla cuando se va la luz, gire **todas** las perillas a la posición **OFF** (Apagado).
- Se pueden encender los quemadores estándar con un cerillo prendido cerca de los puertos y girando la perilla de control a la posición **HI**. Espere hasta que la llama envuelva toda la tapa del quemador antes de ajustar la llama a la altura deseada.
- No se puede usar el quemador ExtraLow durante una falla de electricidad. **Asegúrese de apagarlo.**
- Si el quemador ExtraLow está prendido cuando se va la luz, no se puede volver a prender hasta no apagar primero la perilla.
- No se pueden usar la plancha durante una falla de luz.
- Si huele a gas, consulte las precauciones de seguridad listadas dentro de la portada.

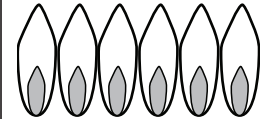
Altura de la llama

- La altura correcta de la llama depende de: 1) tamaño y material de la olla utilizada; 2) alimento que se está preparando; 3) cantidad de líquido en la olla.
- La llama nunca se debe extender más allá de la base de la olla.
- Use una llama baja o mediana para ollas de materiales que conduzcan el calor lentamente, como el acero esmaltado o la vitrocerámica.

Descripción de la llama

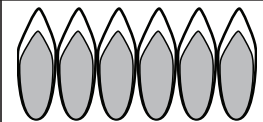
Flama amarilla:

Se requiere más ajuste.



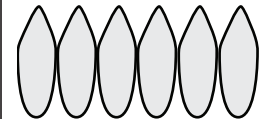
Puntas amarillas sobre conos:

Normal para Gas LP.



Flama azul suave:

Normal para Gas Natural.



Si la flama es casi o completamente amarilla, verifique que el regulador está establecido para el combustible correcto. Posterior al ajuste, vuelva a probar.

Se pueden producir algunas rayas anaranjadas en el encendido inicial. Permita que la unidad trabaje durante 4-5 minutos y vuelva a evaluar antes de realizar ajustes.

Figura 16: Características de las llamas

- La llama de los quemadores debe ser de color azul sin puntas amarillas. A veces, toma parcialmente un color naranja: esto indica que se están quemando impurezas suspendidas en el aire. Desaparecerá con el uso.
- Con gas propano (LP), es normal tener algunas puntas de color amarillo en el cono principal.
- La llama debe quemar completamente alrededor de la tapa del quemador. En caso contrario asegúrese de que la tapa esté colocada correctamente sobre la base y que los puertos no estén tapados.
- La llama debe estar estable sin ruido o flameado excesivo.

Recomendaciones para los utensilios de cocina

⚠ PRECAUCIÓN

Para evitar dañar seriamente el aparato o las ollas, lea las siguientes instrucciones:

- Nunca se deben usar grandes utensilios en la superficie de la estufa, como cazuelas grandes, bandejas para galletas, etc.
- Las ollas grandes para caldos deben colocarse en forma escalonada cuando se usan en la estufa.

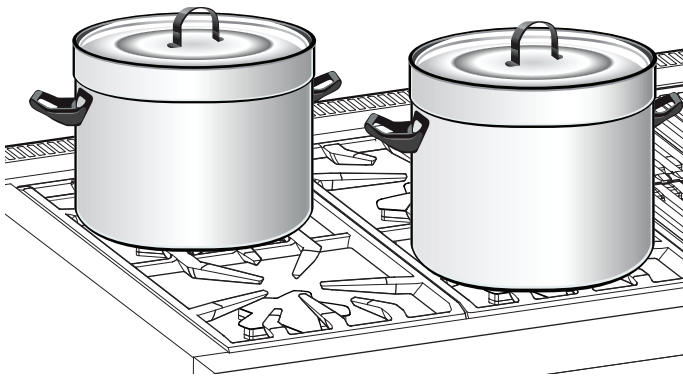


Figura 17: Diámetro de base

- Seleccione ollas cuyo diámetro coincida con el diámetro de la llama. El diámetro de la llama debe ser del mismo tamaño que la base de la olla o ligeramente más pequeña. Ollas demasiado grandes o pequeñas perjudican el rendimiento. Generalmente un tamaño de olla de 5½ pulg. (140 mm) es el más pequeño que se recomienda.
- Evite usar durante demasiado tiempo un ajuste de llama intenso cuando utilice una olla cuyo diámetro sea más grande que la rejilla o que ocupe el espacio de más de un quemador, como una bandeja. Esto puede generar una mala combustión y gases nocivos.
- La base de la olla es un factor importante para la estabilidad y uniformidad de la cocción. El asa no debe ser más pesada que la olla para que ésta no se incline. La olla debe ponerse al ras sobre la rejilla sin balancearse ni estar inestable.



Figura 18: Olla balanceada

- No se deben colocar alimentos envueltos en papel de aluminio directamente sobre la rejilla del quemador. El papel de aluminio puede derretirse durante la cocción.

- No permita que artículos de plástico, papel o tela entren en contacto con la rejilla caliente de un quemador. Podrían derretirse o prender fuego.
- Nunca hierva una olla hasta quedar seca. Esto puede dañar su olla y la superficie de la estufa.
- Recomendamos utilizar ollas de calidad profesional con asas de metal porque las asas de plástico pueden derretirse o bullir cuando la llama sube por el costado de la olla. Se pueden encontrar ollas de calidad profesional en tiendas de suministro para restaurantes y tiendas especiales. Todos los utensilios de cocina deben tener estas características: buena conductividad de calor, buen balance de peso, diámetro de la base de tamaño correcto, una base plana, pesada y una tapa que cierre bien.
- Para lograr mejores resultados, se debe mantener la llama bajo el fondo de la olla.
- El aluminio y el cobre son materiales de ollas que conducen el calor de un modo rápido y uniforme. Estos metales se encuentran a veces en la base de la olla o entre las capas de acero inoxidable.

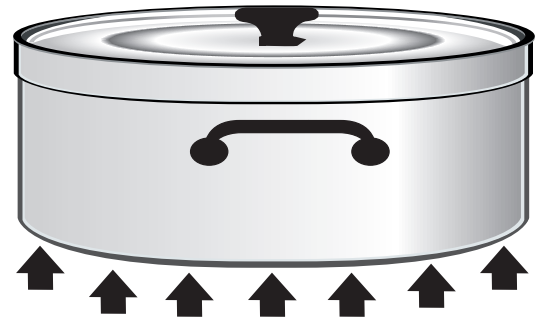


Figura 19: Olla de base plana

- Una base plana y pesada es estable cuando se calienta. Bases de ollas deformadas, dentadas, estriadas o muy ligeras se calientan de un modo poco uniforme. Caliente y enfríe las ollas gradualmente para evitar cambios repentinos de temperatura, lo cual tiende a deformarlas. No ponga agua fría en una olla caliente.
- Una tapa bien ajustada al diámetro de la olla acorta el tiempo de cocción y permite cocinar a temperaturas más bajas.

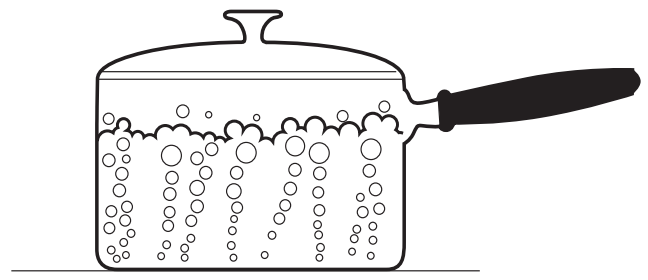


Figura 20: Olla tapada

Utensilios especiales de cocina

Wok

- Se pueden usar tanto woks de base plana como redonda con el anillo de soporte en todos los modelos. Para los woks de base redonda se debe usar un anillo de soporte. El wok y el anillo de soporte para wok de hierro fundido esmaltado de porcelana se venden por separado.

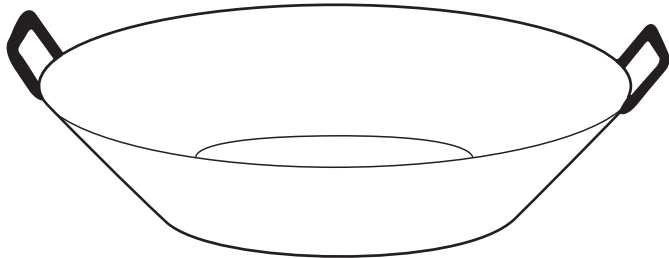


Figura 21: Olla tipo wok con base plana

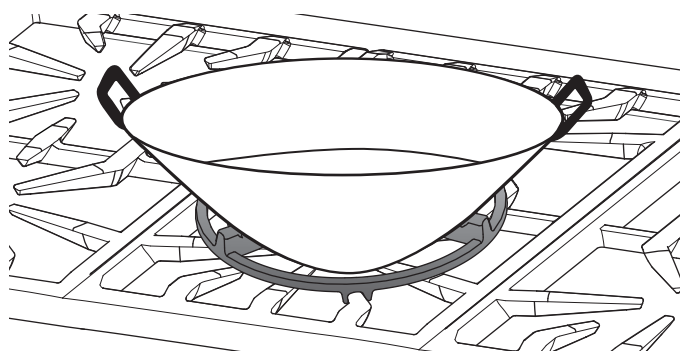


Figura 22: Wok con base redonda en un anillo de soporte

Olla grande para caldos y olla a presión

- Seleccione una con un diámetro de base que no salga más de 2 pulgadas (51 mm) de la rejilla.

Baño María de dimensiones estándares

- 21 a 22 cuartos de galón (19,95 a 20,9 litros), con una base de 11 a 12 pulg. (279 a 305 mm) y una altura de 9 a 11 pulg. (229 a 279 mm).

Olla a presión de tamaño estándar

- 8 a 22 cuartos de galón (7,6 a 20,9 litros), con una base de 8 a 11 pulg. (203 a 279 mm) y una profundidad de 6,5 a 12 pulg. (165 – 305 mm).

Consejos para usar ollas a presión

- Es preferible usar una base plana que una cóncava, convexa o estriada.
- Cuando use dos ollas a presión al mismo tiempo, use quemadores escalonados. No bloquee la circulación de aire alrededor de los quemadores. Una llama necesita el aire suficiente para que la combustión se haga bien.
- Use una tapa sobre las ollas a presión cuando lleve el contenido a ebullición.
- Una vez que el contenido haya hervido en la posición HI, use la llama más baja posible para mantener la ebullición o la presión.
- Las ollas a presión producen grandes cantidades de vapor. Tenga cuidado para evitar quemaduras.

Sugerencias para utilizar los quemadores recomendaciones para la cocción

- Consulte la tabla de la página 114. Los ajustes de temperaturas varían dependiendo de las ollas seleccionadas y de la temperatura inicial de los alimentos.
- En la tabla se ha separado el "Ajuste final" para los quemadores estándares y los quemadores ExtraLow[®]. Según el caso, puede haber un cambio entre los ajustes de los dos tipos de quemadores.
- El ajuste ExtraLow de los quemadores STAR[®] puede servir para cocinar o para mantener alimentos calientes.
- Suba o baje el ajuste de la llama gradualmente. Dé tiempo para que la olla y el alimento se puedan ajustar al nuevo ajuste de calor.

Recomendaciones de cocción con los quemadores

ALIMENTO	AJUSTE INICIAL	AJUSTE FINAL – QUEMADOR ESTÁNDAR	AJUSTE FINAL –QUEMADOR EXTRALOW® (XLO)
BEBIDAS Cacao (Chocolate)	MED – calentar la leche, cubrir	SIM – terminar de calentar	XLO – para mantener caliente, tapar*
PANES Pan Francés, Crepas, Sándwich a la plancha	MED – precalentar la sartén	SIM a MED – cocinar	Igual que el quemador estándar
MANTEQUILLA Derretir	SIM – para empezar el derretimiento		5 a 10 minutos para que se derrita
CEREALES Harina de maíz, Sémola, Avena	HI – tapar, hervir el agua, agregar los cereales	SIM a MED – terminar la cocción según las indicaciones en el embalaje	XLO – mantener, tapar* Igual que el quemador estándar
CHOCOLATE Derretir	XLO – se puede revolver para acelerar el proceso		XLO –10 a 15 minutos para que se derrita XLO – mantener*
POSTRES Caramelos	SIM a MED – cocinar según la receta	MED SIM a MED	Igual que el quemador estándar
Pudín y Relleno para tartas	SIM a MED SIM – cocinar según las indicaciones	SIM a MED	Igual que el quemador estándar
Pudín	SIM a MED SIM – hervir la leche	SIM	Igual que el quemador estándar
HUEVOS Cocidos con la cáscara	MED HI – tapar, hervir el agua, agregar huevos, tapar		XLO – cocinar 3 a 4 minutos para quedar suave; o 15 a 20 minutos para quedar duros
Fritos, Revueltos	SIM a MED – derretir mant., agr. huevos	SIM – terminar la cocción	Igual que el quemador estándar XLO - para mantener poco tiempo
Escalfados	HI – hervir agua, agregar huevos	MED a MED – terminar la cocción	Igual que el quemador estándar
CARNE, PESCADO, AVE Tocino, Salchichas	MED HI – hasta que la carne empieza a chisporrotear	MED a MED – terminar la cocción	Igual que el quemador estándar
En su jugo: Filete Suizo, Estofado, Guisar carne	MED HI – derretir grasa, dorar en MED HI , agr. líquido, tapar		XLO – Dejar a fuego lento hasta que la carne está tierna
Fritura rápida: Filetes de desayuno	MED HI – precalentar sartén	MED a MED HI – freír rápidamente en la sartén	Igual que el quemador estándar
Fritura: Pollo	MED HI – calentar aceite, dorar en MED	SIM – cubrir, terminar la cocción	Igual que el quemador estándar
Fritura con aceite abundante: Camarones	MED HI – calentar aceite	MED a MED HI – mantener la temperatura	Igual que el quemador estándar

*Se recomienda revolver los alimentos de vez en cuando.

ALIMENTO	AJUSTE INICIAL	AJUSTE FINAL – QUEMADOR ESTÁNDAR	AJUSTE FINAL –QUEMADOR EXTRALOW® (XLO)
Fritura: chuletas de cordero, filetes delg., hamburguesas., salchichas enteras	MED HI – precalentar sartén	MED – dorar la carne	Igual que el quemador estándar XLO - para mantener
Escalfado: pollo, entero o piezas, pescado	MED HI – tapar, hervir los líquidos		Para terminar de cocinar
Hervido a fuego lento: Pollo estofado, carne curada, Lengua, etc.	HI – tapar, hervir los líquidos		Dejar a fuego lento XLO - para cocer lentamente XLO - para mantener, cubrir
PASTA Macarrones, Fideos, Espaguetis	HI – hervir el agua, agregar la pasta	MED HI a HI – para q siga hirviendo	Igual que el quemador estándar
OLLA DE PRESIÓN Carne	MED HI a HI – aumentar presión	SIM a MED – mantener presión	Igual que el quemador estándar
Verduras	HI – aumentar presión	MED SIM a MED – mantener presión	Igual que el quemador estándar
Arroz	HI – cubrir, calentar el agua y el arroz hasta que hierva	mantener hirviendo a SIM , cubrir hasta que se evapore el agua.	Cocinar según las indicaciones del embalaje XLO – mantener, tapar
SALSAS A base de tomate	MED HI – cocinar carne / verduras, seguir la receta	SIM para cocinar a fuego lento	XLO – fuego lento para espesar la salsa, destapado
Blanca, Crema, Bernesa	MED – derretir la grasa, seguir la receta	SIM a MED SIM – terminar la cocción	XLO –mantener, tapar*
Holandesa	XLO		XLO – mantener el ajuste de calor más bajo por un período corto, revolver frecuentemente
SOPAS, CALDOS	HI – tapar, hervir el líquido	SIM para cocinar a fuego lento	Fuego lento XLO – mantener, tapar*
VERDURAS Frescas	HI – tapar, hervir el agua y las verduras	SIM a MED – cocinar 10 min., o hasta quedar suave	XLO – mantener, tapar
Congeladas	HI – tapar, hervir el agua y las verduras	SIM a MED – cocinar según las indicaciones del embalaje	Igual que el quemador estándar
Fritura en aceite abundante	HI – calentar aceite	MED a MED HI – mantener temperatura de fritura	Igual que el quemador estándar
Salteadas	MED HI – calentar aceite o derretir mantequilla y agregar verduras	SIM a MED – cocinar al término deseado	Igual que el quemador estándar
En bolsitas	HI – llevar a ebullición el agua y la bolsita	SIM a MED – seguir las instrucciones del embalaje	Igual que el quemador estándar
Sofritas	HI – calentar aceite, agregar verduras	HI – terminar la cocción	Igual que el quemador estándar

*Se recomienda revolver los alimentos de vez en cuando.

Uso de la plancha eléctrica (disponible con algunos modelos)

Descripción

La plancha empotrada está hecha de aluminio de calidad profesional con un acabado antiadherente. Esto crea una superficie fácil de limpiar que conduce el calor uniformemente.

Se venden por separado como accesorios: una tabla de cortar de arce, una cubierta de acero inoxidable y una bandeja con revestimiento de aluminio. La tabla de cortar de arce y la cubierta en acero inoxidable están diseñadas para encajar sobre la superficie de la plancha cuando no se utiliza la plancha. La bandeja con revestimiento de aluminio está diseñada para reemplazar a la plancha. Para obtener más detalles, vea las instrucciones de los accesorios de la plancha.

Antes de encender la plancha se deben quitar la tabla de cortar de arce y la cubierta de acero inoxidable.

⚠ PRECAUCIÓN

La plancha está caliente después de cada utilización. Déjela enfriar completamente antes de limpiarla.

⚠ ADVERTENCIA

Para evitar lesionarse, no utilice nunca la plancha si la bandeja o la parrilla no están instaladas. No utilice la plancha de una forma distinta de lo que está indicado en el manual de uso y cuidado.

La bandeja de la plancha (o el accesorio de la parrilla) siempre debe estar instalada cuando se usa la plancha.

- La plancha se ajusta electrónicamente a las temperaturas indicadas en las perillas, de 150°F a 500°F (66°C a 260°C).
- No hay ajustes fijos en la perilla.
- Oprima y gire la perilla en el sentido de las agujas del reloj para obtener la temperatura deseada.

Preparación de la plancha

1. Antes de usarla, se debe lavar la bandeja de la plancha con agua caliente jabonosa y luego enjuagarla con agua limpia.
2. Si la estufa está equipada con una plancha eléctrica, compruebe el ajuste de la tabla de la plancha echando dos cucharadas de agua en la parte trasera de la plancha.
 - El agua debería correr lentamente hasta la bandeja de grasa.
3. Quite la plancha (*Figure 23*).

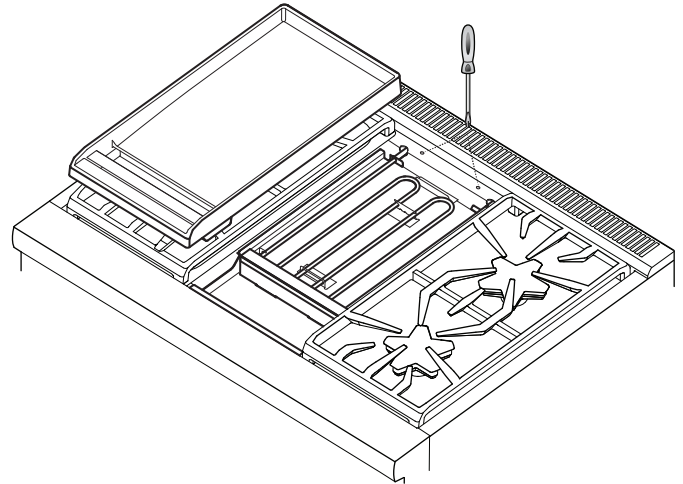


Figura 23: Tornillos de nivelación de la plancha

4. Si no es el caso, ajuste los dos tornillos que están debajo de la tabla. Empiece girando los tornillos de una media vuelta en el sentido contrario a las agujas del reloj.
5. Los ajustes siguientes se deben hacer por cuarto de giro hasta que el agua corra lentamente hacia la bandeja para grasa.

Se puede usar la plancha sin mantequilla, margarina o aceite, o se puede echar una cantidad pequeña para dar sabor a los alimentos.

NO utilice utensilios metálicos en la plancha. Tenga cuidado de no dañar la superficie. No corte alimentos directamente sobre la plancha.

AVISO: El rendimiento de la plancha / estufa puede variar si el flujo de aire alrededor del aparato es demasiado elevado. El flujo de aire excesivo podría provenir de un registro de aire acondicionado o de un ventilador de techo que sopla hacia el aparato. Esto podría prolongar el tiempo de calentamiento o provocar temperaturas en la plancha/ estufa que no corresponden con el ajuste indicado por los botones.

NOTA: Una campana adecuadamente instalada no se considera como una fuente de flujo de aire excesiva.

Recomendaciones para usar la plancha

ALIMENTO	AJUSTE
Huevos	325°F – 350°F
Tocino, salchichas de desayuno	450°F – 475°F
Sándwich tostado	375°F – 400°F
Pechuga pollo sin hueso	425°F – 450°F
Chuletas de 1 pulg. (25,4 mm)	425°F – 450°F
Filete de 1 pulg. (25,4 mm)	450°F – 475°F
Carne molida (hamburguesas 6 onzas)	450°F – 475°F
Albóndigas de carne de pavo picada, 6 onzas	450°F – 475°F
Perritos calientes	350°F – 375°F
Lonchas de jamón de 1/2" (12,7 mm)	350°F – 375°F
Crepes, Pan Francés	400°F – 425°F
Papas; papas doradas	400°F – 425°F

* Para obtener una cocción uniforme, asegúrese de que los alimentos sean más o menos igual de gruesos por todas partes.

Utilice el ajuste de temperatura más bajo. Es posible que tenga que modificar las recetas ya que el revestimiento antiadherente dora y chamusca los alimentos a bajas temperaturas.

Bandeja de grasa de la plancha

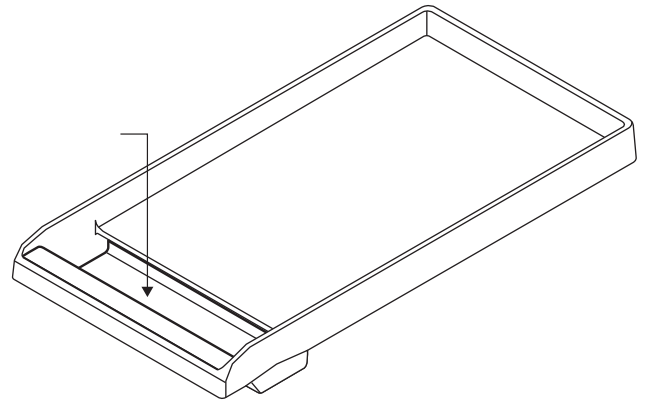


Figura 24: Bandeja de grasa

- Limpie la bandeja después de cada uso. Al quitar la bandeja, tenga cuidado para que no se derrame el contenido.
- La placa y la bandeja de grasa de la plancha se pueden lavar en el lavavajillas.
- Cuando se ha enfriado, ponga la grasa en un recipiente resistente a la grasa antes de tirarlo.

Cocinar en la plancha

1. Gire la perilla a la temperatura de cocción apropiada para precalentar la plancha.
2. Precaliéntela hasta que la luz de la plancha se apague.
3. Añada mantequilla, margarina, aceite o grasa vegetal si lo desea.

NO calentar los utensilios de cocina en la superficie de la plancha.

Recomendaciones de limpieza

- No vierta **NUNCA** agua fría sobre una plancha caliente. Podría deformarse o agrietarse.
- **NO** limpie ninguna parte de la parrilla o la plancha en un horno con autolimpieza.
- Tenga cuidado de no dañar la superficie.
 - No corte alimentos directamente sobre la plancha.
 - No utilice utensilios de metal.
 - Utilice utensilios de plástico o madera para evitar rayar la superficie antiadherente.
- Se puede lavar la plancha en el lavaplatos. Sin embargo, recomendamos lavarla a mano.

Instrucciones de engrasado de la placa de la plancha

Si la placa de la plancha parece perder sus propiedades antiadherentes con el paso del tiempo, las instrucciones siguientes deberían devolverle dichas propiedades. Para asegurar el rendimiento óptimo de la placa de su plancha y alargar su vida útil, siga estas sencillas instrucciones de limpieza y engrasado.

Preparación de la plancha para el engrasado

Se debe limpiar la placa de la plancha y quitar todos los residuos antes de proceder al engrasado de la plancha.

1. Utilice una mezcla de sal gorda y de vinagre blanco para quitar todos los residuos de la placa de la plancha.

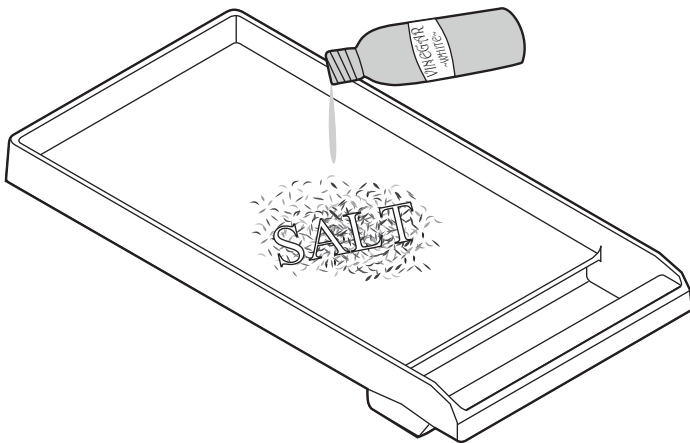


Figura 25: Preparación de la plancha

2. Enjuague bien con agua clara.
3. Seque la plancha.

Engrasado de la plancha

El engrasado es un proceso en el que se aplica y cuece una capa de grasa animal o de aceite vegetal en un instrumento de cocción. La capa de grasa proporciona una superficie antiadherente para cocinar.

1. Utilice una servilleta de papel para aplicar una capa fina y uniforme de manteca, Crisco® o aceite de oliva sobre la superficie de la plancha.

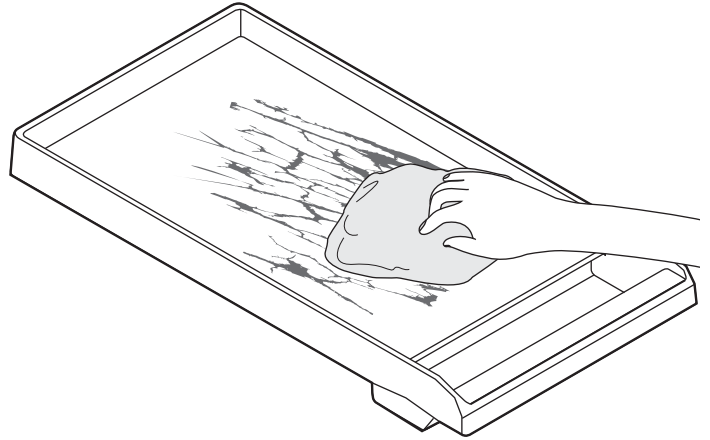


Figura 26: Engrasado de la plancha

2. Cueza la placa de la plancha en el horno a 350°F durante una hora.
3. Saque la placa de la plancha del horno y déjela enfriar a temperatura ambiente.
4. Aplique una segunda capa de grasa o aceite y cuézela de nuevo a 350°F durante una hora.
5. Repita el proceso por lo menos otra vez hasta un total de tres capas de grasa o aceite.

Después del engrasado

1. Después de cocer su plancha engrasada, déjela enfriar y límpiela con un trapo húmedo. Déjela secar.
2. Añada una capa fina de aceite o grasa antes de almacenarla en un lugar fresco y seco.
3. El hecho de repetir este proceso engrasará la plancha y le ayudará a conservar sus propiedades antiadherentes. El rendimiento mejorará con más engrasados a lo largo del tiempo.
4. Para quitar las capas de aceite de la plancha antes de volver a engrasarla, utilice una mezcla de sal y vinagre.

Uso de la parrilla eléctrica

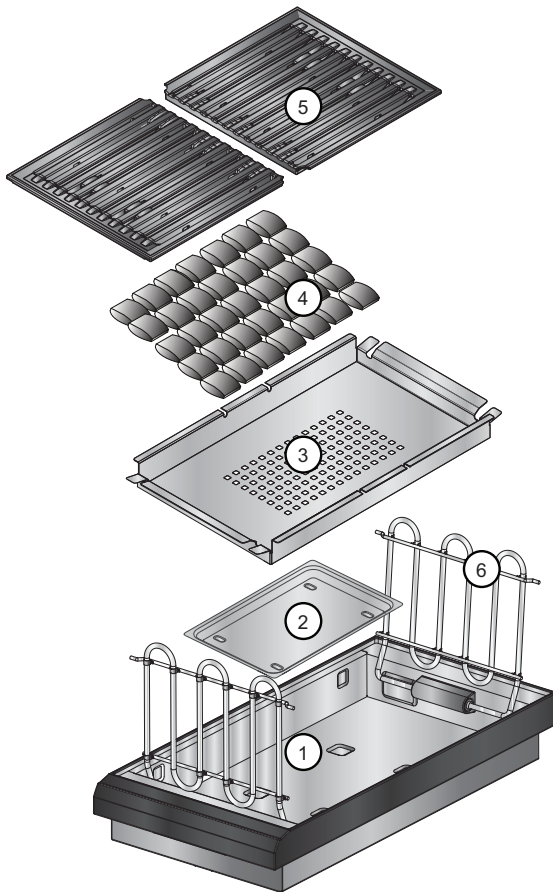
(parrilla disponible con algunos modelos)

Descripción

Las rejas de la parrilla empotrable están hechas de hierro colado de calidad profesional. Este material da a las rejillas una superficie que reparte uniformemente el calor y que es fácil de limpiar.

Se puede instalar una plancha de hierro colado antiadherente (*PAGRIDDLEN*), vendida por separado. Consulte las instrucciones del accesorio de la plancha para saber más detalles.

Ensamblaje de la parrilla



1. Caja de la parrilla
2. Bandeja para la grasa de la parrilla
3. Cesta de briquetas de cerámica
4. Briquetas de cerámica
5. Rejillas de la parrilla (x2)
6. Resistencias (x2)

Figura 27: Ensamblaje de la parrilla

1. Rote las resistencias (6) y quite la cesta de briquetas de cerámica situada dentro de la caja de la parrilla (1).
2. Instale la bandeja para grasa (2) debajo de la caja de la parrilla (1). (La bandeja de grasa está empaquetada en la caja de cartón grande de la estufa.) Alinee los salientes de la bandeja de grasa (2) con los huecos situado debajo de la caja (1).
3. Ponga la cesta de briquetas de cerámica (3) en la caja de la parrilla (1).
4. Coloque las briquetas de cerámica (4) en la cesta de briquetas (3), en una sola capa, para que cada una toque las briquetas adyacentes. Las briquetas de cerámica no deben estar en contacto con los elementos térmicos.
5. Empuje hacia abajo las dos resistencias de la parrilla (6). Las resistencias deben estar niveladas. Los soportes deben descansar dentro de los pestillos laterales.
6. Instale las rejillas de la parrilla (5). Asegúrese de que las rejillas estén instaladas a nivel con la caja de la parrilla (1).
 - Antes de usarla, se deben lavar las rejillas de la parrilla con agua caliente jabonosa y luego enjuagarla con agua limpia.

Funcionamiento de la parrilla

⚠ ADVERTENCIA

- Para evitar todo riesgo de lesión, **NUNCA** use la parrilla si no hay rejillas o una plancha.
- **NUNCA** deje la parrilla sin atención mientras cocine.
- Tenga cuidado con el aceite y la grasa. Los aceites y grasas sobrecalentados pueden provocar incendios.
- NO utilice virutas, piedras de lava, o briquetas de carbón. Utilice sólo las briquetas de cerámica (*PABRICKBKN*) recomendadas.
- NO utilice platos, cacerolas, sartenes u otros utensilios sobre la parrilla.
- **Nunca utilice papel de aluminio para forrar las rejillas o la parrilla.** Esto puede dañar la parrilla y provocar un riesgo de incendio si el calor queda atrapado debajo.
- Compruebe las bandejas de grasa antes de cada utilización. La acumulación de mucha grasa puede presentar un riesgo de incendio.
- Si se producen llamas, limpie la grasa acumulada sobre las rejillas, la bandeja de grasa, la cesta de briquetas de cerámica y las otras superficies.
- Las acumulaciones de grasa favorecen la formación de llamas y de humo durante la cocción.
- Se deben sustituir las briquetas de cerámica cuando estén negras, lo que significa que están saturadas de grasa y pueden producir mucho humo o incluso prenderse.

IMPORTANTE:

- Si aparecen llamas mientras cocina con la parrilla, apague el aparato y quite los alimentos. Tenga cuidado de no lesionarse cuando quite los alimentos.
- A menudo, las llamas se apagan por sí solas al cabo de unos minutos, una vez se han quemado las acumulaciones de grasa. No deje la parrilla sin supervisión antes de que se hayan apagado las llamas. Se pueden sofocar las llamas espolvoreándolas con una generosa capa de bicarbonato de sodio o sal.
- Si aparecen llamas, sustituya las briquetas de cerámica y limpie las acumulaciones de grasa sobre las rejillas, la bandeja de grasa, la cesta de briquetas de cerámica y las otras superficies antes de volver a utilizar la parrilla. Las acumulaciones de grasa sin limpiar favorecen la formación de llamas y humo durante la cocción.
- Seque los alimentos húmedos antes de colocarlos sobre la parrilla.
- Cuanto más húmedo es un alimento, más humo es susceptible de producir.
- Durante la utilización de la parrilla, las acumulaciones de grasa pueden arder brevemente.

ADVERTENCIA

PARA EVITAR RIESGOS DE QUEMADURAS:

- Utilice utensilios apropiados con mangos largos que le permitan manejar los alimentos evitando el calor y las posibles llamas.
- **NO** lleve ropa suelta cuando cocine.
- Nunca deje la parrilla sin supervisión cuando cocine.
- Después de cada utilización, quite las acumulaciones de grasa de las superficies de la parrilla y de las bandejas de grasa para evitar riesgo de incendio. Debería limpiar periódicamente la campana y las superficies alrededor de la parrilla según las recomendaciones del manual de uso.
- Tenga un extintor cerca y fácilmente accesible.

Funcionamiento de la parrilla

1. Antes de encender el aparato, asegúrese de que haya briquetas de cerámica en el aparato y que las dos rejillas de la parrilla estén instaladas correctamente.

2. Pulse la perilla de ajuste de temperatura y gírela.
 - Los mandos electrónicos de la parrilla permiten ajustar la potencia de **LOW** a **HIGH**. Las perillas no tienen ajustes fijos.
 - Las dos resistencias de la parrilla se pueden ajustar por separado, lo que le permite preparar alimentos a dos temperaturas distintas a la vez. También, puede usar una parte para preparar alimentos y la otra parte para mantenerlos calientes.
3. Durante el primer uso, caliente la parrilla durante unos diez minutos para eliminar los residuos y olores de fabricación.
4. Para obtener mejores resultados, deje que las rejillas se calienten antes de cocinar alimentos.

PRECAUCIÓN

Limpie la parrilla después de cada uso. Deje tiempo suficiente para que el aparato pueda enfriarse antes de limpiarlo.

Consejos para cocinar a la parrilla

- Siempre precaliente la parrilla. Para cocinar a potencia máxima, precaliente la parrilla a HIGH durante diez minutos. Para cocinar a potencia media, precaliente la parrilla a HIGH durante cinco minutos, luego reduzca la temperatura cuando los alimentos estén sobre la parrilla.
- Remoje los palos de las brochetas en agua durante 20 minutos o más antes de ponerlos sobre la parrilla.
- Antes de cocinar alimentos a la parrilla, los puede untar con aceite resistente al calor (como aceite de cacahuetes) o adobarlos. Tenga cuidado de no usar demasiado aceite o adobo; los alimentos podrían prenderse o generar mucho humo.
- Ponga los alimentos directamente sobre las rejillas de la parrilla. **NO** use papel de aluminio o bandejas.
- La carne curada, como el jamón o las chuletas de cerdo ahumadas, no está hecha para ser cocida a la parrilla y puede generar la formación de compuestos químicos poco saludables.
- Para evitar que los alimentos se prendan, quite el exceso de grasa antes de cocinarlos.
- **NO** utilice productos de limpieza sobre las resistencias. Si hay grasa sobre las resistencias, deje el fogón encendido para que se queme.
- Para absorber la grasa de las rejillas de la parrilla, eche sal gorda después de cada uso.

Recomendaciones para cocinar con la parrilla

IMPORTANTE:

- **NO SE DEBERÍA USAR LA PARRILLA SIN UNA VENTILACIÓN ADECUADA.**
- **No deberían prepararse alimentos muy grasientos sobre una parrilla interior. La cocción de alimentos grasientos (como algunas variedades de carne picada o de salchichas, etc.) aumenta las posibilidades de formación de humo y llamas.**

ALIMENTO*	AJUSTE**	TIEMPO DE COCCIÓN (MINUTOS)	NOTAS
BUEY			
Hamburguesas, ¾" (2 cm) (al punto)	HIGH	12 – 14	Dar la vuelta cuando el jugo aparece en la superficie.
Solomillo, 1½" (4 cm) (al punto)	HIGH	20 – 22	Quitar el exceso de grasa.
Solomillo bajo o lomo, 1" (3 cm) (al punto)	HIGH	10 – 12	Quitar el exceso de grasa.
Brochetas de bistec (al punto)	HIGH	24 – 28	Dar la vuelta de vez en cuando.
CERDO			
Chuletas de cerdo, ¾" (2 cm)	HIGH	16 – 20	Quitar el exceso de grasa.
Salchichas o Bratwurst	MED HIGH	16 – 20	Perforar antes de cocinar.
Perritos calientes	HIGH	6 – 8	Colocar horizontalmente sobre la parrilla.
AVES DE CORRAL			
Muslos	MED HIGH	34 – 38	Dar la vuelta de vez en cuando, quitar la piel que sobra.
Alas de pollo, enteras	MED HIGH	18 – 22	Dar la vuelta de vez en cuando.
Pechugas de pollo sin hueso, ½" (1 cm)	MED HIGH	20 – 24	Cortar en filetes del mismo tamaño.
Brochetas, pollo	HIGH	30 – 33	Dar la vuelta de vez en cuando.
MARISCO			
Rodajas de pescado, 2" (6 cm)	MED HIGH	18 – 20	Untar con aceite antes de cocinar.
Fish fillet, ¾" (2 cm)	MED HIGH	16 – 20	Untar con aceite antes de cocinar.
Brochetas de gambas	MED HIGH	10 – 14	Dar la vuelta de vez en cuando.
FRUTA Y VERDURA FRESCA			
Champiñones portobello	HIGH	8 – 10	Untar con aceite antes.
Pimientos, cuartos	HIGH	8 – 10	Dar la vuelta de vez en cuando
Berenjenas, rodajas, ½" (1 cm)	HIGH	8 – 10	Untar con un poco de aceite
Tomates, mitades	HIGH	8 – 10	Untar con aceite
Piña, rodajas	HIGH	4 – 6	—
Melocotones, mitades	HIGH	4 – 6	—
OTRO			
Panecillos de perrito caliente o hamburguesa	MED HIGH	4 – 6	Untar con mantequilla.
Tofu, extra firm, sliced	MED HIGH	8 – 12	Para un cocción fácil, hacer brochetas.
* Para una cocción uniforme, distribuya los alimentos sobre la superficie.			
** Los ajustes utilizados en la tabla deberían considerarse como referencia, ya que la cantidad de calor necesario puede variar según el tipo y las condiciones de los alimentos.			

Usar el Horno

Precalentar el Horno

Posiciones de las rejillas para hornear

Las posiciones de las rejillas en la hornilla están numeradas como un elevador. La posición número uno es la más baja.

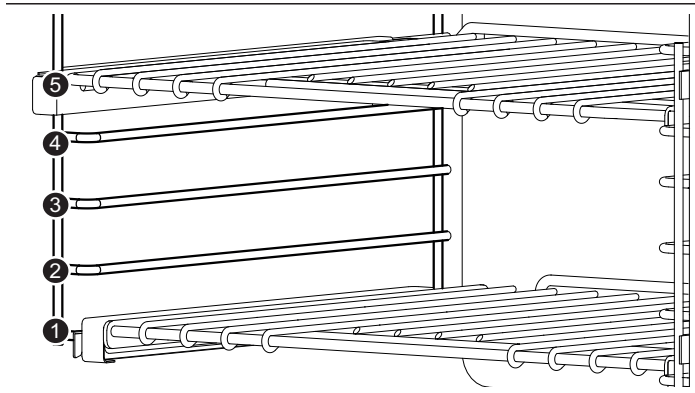


Figura 28: Posiciones de las rejillas

NOTA: Las recomendaciones relativas a la posición de las rejillas se aplican a la cocción en la hornilla. Sin embargo, si una receta sugiere una posición de rejilla distinta, se debe seguir la receta o las instrucciones del paquete.

Hornilla secundaria (modelos de 48 pulg.)

Nivel	Modo BAKE
#3	-- El modo Bake (hornear) sirve para la mayoría de los alimentos horneados.
#2	-- Cuando el alimento está muy alto. -- Las tartas, para que la corteza esté bien cocida sin que la parte superior esté demasiado dorada, salen mejor en la posición de rejilla #2.

Hornear con una rejilla, hornilla principal

Nivel	Modo BAKE
#3	-- El modo Bake (hornear) sirve para la mayoría de los alimentos horneados.
#2	-- Cuando el alimento está muy alto, como un pastel tipo bizcocho. -- Las tartas, para que la corteza esté bien cocida sin que la parte superior esté demasiado dorada. -- Para asar piezas grandes de carne o pollo, como una chuleta de res o un pavo.

Hornear con dos rejillas, hornilla principal

Nivel	Modo BAKE o CONVECT BAKE
#2 & #4 Mixtas #3 & #5 Gas	-- Platos horneados

Hornear con tres rejillas

Para hornear con tres rejillas, es preferible utilizar el modo Convection Bake (hornear por convección).

Para Obtener Mejores Resultados

- Minimice abrir la puerta.
- Escoja el utensilio de tamaño correcto; use el utensilio recomendado en la receta.
- Utilice la posición recomendada en la receta.
- Guarde las bandejas de asar fuera del horno. Una bandeja o molde extra sin alimentos afecta el dorado y el horneado.
- El tipo de molde utilizado afecta el dorado.
 - Para una corteza suave, dorada use moldes claros de teflón/anodizados o brillosos de metal.
 - Para una corteza dorada, crujiente use moldes oscuros de teflón/anodizados o moldes oscuros sin brillo o de vidrio. Tal vez estos moldes requieren bajar la temperatura a 25°F (14°C).

Pre calentamiento de la hornilla

- La mayor parte de los tiempos de cocción en las recetas están diseñados para una hornilla precalentada y necesitan de la hornilla que haya alcanzado una cierta temperatura antes de que se empiece la cocción. Consulte su receta para conocer las recomendaciones de precalentamiento.
- El tiempo de precalentamiento depende del ajuste de temperatura y de la cantidad de rejillas colocadas en la hornilla.

Tipos de platos para la hornilla

- Platos de metal (con o sin un acabado de teflón), vidrio refractario, vitrocerámica, terracota u otros utensilios que van con la hornilla.
- Las bandejas para galletas adaptadas para las hornillas tienen un pequeño borde de un lado. El tiempo de cocción puede estar afectado por las bandejas pesadas o aquellas con más de un lado.

Colocación

- Deje por lo menos 1 pulg. (25,4 mm) de espacio entre las ollas y las paredes de la hornilla para que el calor pueda circular alrededor de cada olla.
- Deje un espacio libre de 1,5 pulg. (38 mm) encima y debajo de cada plato.

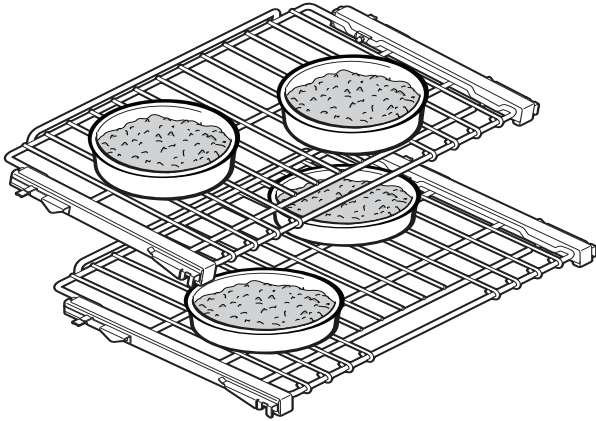


Figura 29: Colocación de los moldes en una estufa mixta

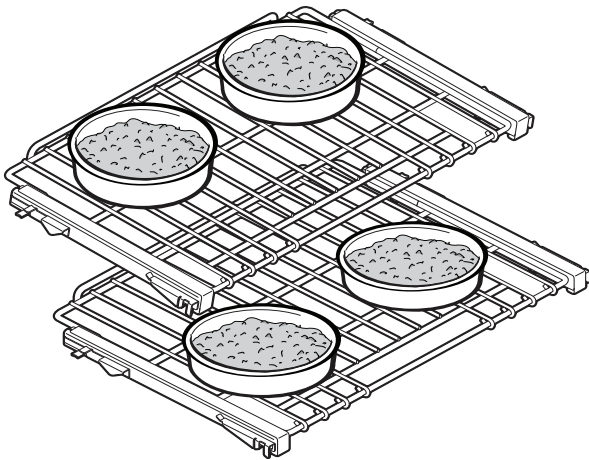


Figura 30: Colocación de los moldes en una estufa de gas

BAKE y CONV BAKE (Horneado y horneado por convección)

Para configurar el horno

1. Seleccione el modo de hornear (**BAKE**) o el modo de horneado de convección (**CONV BAKE**) usando la perilla del selector de modo.

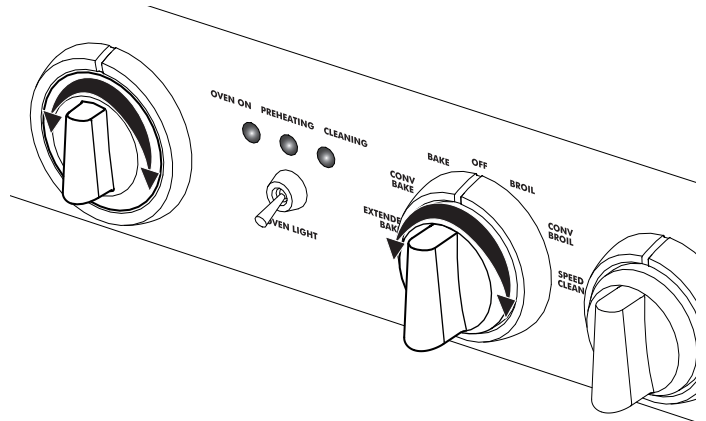


Figura 31: Perillas del horno (el aspecto varía)

2. Fije la temperatura del horno usando la perilla del selector de temperatura.
 - Se prenden las luces **OVEN ON** (Horno Prendido) y **PREHEATING** (Precalentar).

OVEN ON **PREHEATING** **CLEANING**



- El horno es precalentado a la temperatura prefijada cuando se apaga la luz **PREHEATING** (Precalentar) por primera vez.

OVEN ON **PREHEATING** **CLEANING**



- Se mantiene prendida la luz **OVEN ON** (Horno Prendido) durante cualquier modo de cocinar activo, y permanece prendida hasta que se gire cualquiera de las perillas de control del horno a la posición **OFF** (Apagado).

NOTA: La luz interna del horno es operada mediante un interruptor separado que prende y apaga la luz, independientemente de cualquier configuración de control.

EXTENDED BAKE (Horneado Extendido)

Este modo de cocinar particular sirve para ayudarle al usuario a cumplir con sus obligaciones religiosas del modo Shabat.

1. Seleccione el modo **EXTENDED BAKE** (Horneado Extendido) con la perilla del selector de modo.
2. Fije la temperatura del horno usando la perilla del selector de temperatura.
 - La FASE DE PRECALENTAR es igual que para los otros modos de HORNEAR. Una vez que el horno alcanza la temperatura seleccionada, comienza el ciclo de Horneado Extendido de veintidos (22) minutos.
 - Hornear en FASE ACTIVA es generalmente por diecinueve (19) minutos, excepto durante los últimos dos (2) minutos, las luces **OVEN ON** (Horno Prendido) y **PREHEATING** (Precalentar) parpadean lentamente (prendido 3 seg. / apagado 3 seg. juntas) para AVISAR la fase final.



- **FASE ACTIVA (horno inactivo):**
Una vez que las dos luces dejan de parpadear (ambas permanecen prendidas), los últimos tres (3) minutos le permiten al usuario del modo Shabat tener acceso al horno sin efectuar algún cambio en la operación del horno. El quemador del horno está apagado durante esta fase.

Operación automática del ventilador de enfriamiento

El ventilador de enfriamiento se prende solamente después de que la hornilla alcance 300°F (149°C). Cuando se apaga la hornilla, el ventilador sigue funcionando hasta que la hornilla alcanza la temperatura de 250°F (121°C).

NO siga usando el grill si el ventilador de enfriamiento no se enciende. Llame a una agencia de servicio calificada para reparar la estufa.

NOTA: Durante el proceso de enfriamiento, es normal que el aparato evacue aire caliente en la cocina cuando la hornilla está encendida.

Para configurar el horno secundario (Estufa de 48")

1. Seleccione el modo de hornear (BAKE) usando la perilla del selector de modo.
2. Fije la temperatura del horno usando la perilla del selector de temperatura.
 - Se prenden las luces **OVEN ON** (Horno Prendido) y **PREHEATING** (Precalentar).



- El horno es precalentado a la temperatura prefijada cuando se apaga la luz **PREHEATING** (Precalentar) por primera vez.



- Se mantiene prendida la luz **OVEN ON** (Horno Prendido) durante cualquier modo de cocinar activo, y permanece prendida hasta que se gire cualquiera de las perillas de control del horno a la posición OFF (Apagado).

Recomendaciones para hornear

ALIMENTO	TEMPERATURA	NIVEL
Galletas	375°F (190°C)	3
Pasteles con relleno	350°F (180°C)	3
Pasteles con capas	350°F (180°C)	3
Pastel Bundt™	325°F (165°C)	3
Brownies o galletas	325°F (165°C)	3
Panecillos	425°F (220°C) o instrucciones del embalaje	3
Pan rápido	350°F (180°C)	3
Molletes	425°F (220°C)	3
Pays de fruta	425°F (220°C)	2
Pasteles de fruta	400°F (205°C)	3
Pan levadura, loaves	350°F (180°C)	3
Rollos y panecillos	375°F (190°C)	3
Rollos de canela	375°F (190°C)	3
Pastel levadura para café	375°F (190°C)	3

NOTA: Precaliente el horno antes de cocer alimentos, excepto piezas grandes de carne o pollo. Consulte su receta para recomendaciones del precalentado. El tiempo del precalentado depende del ajuste de temperatura y de la cantidad de rejillas en el horno.

⚠ ADVERTENCIA

SEGURIDAD ALIMENTICIA

El ministerio de Agricultura de los Estados Unidos recomienda NO MANTENER alimentos calientes a temperaturas entre 4°C y 60°C durante más de dos horas. No se recomienda cocer alimentos crudos a temperaturas inferiores a 135°C.

Convección

Cocinar con el modo de convección

Hay muchas ventajas para cocinar con el modo de convección, donde un ventilador en la parte trasera del horno hace circular el aire uniformemente alrededor del horno. El aire circulado proporciona un calor uniforme de modo que se pueden colocar los alimentos en cualquier posición de rejilla con resultados consistentes. Se pueden hornear múltiples rejillas de alimentos al mismo tiempo. Los alimentos son cocidos completamente sin necesidad de voltear los moldes.

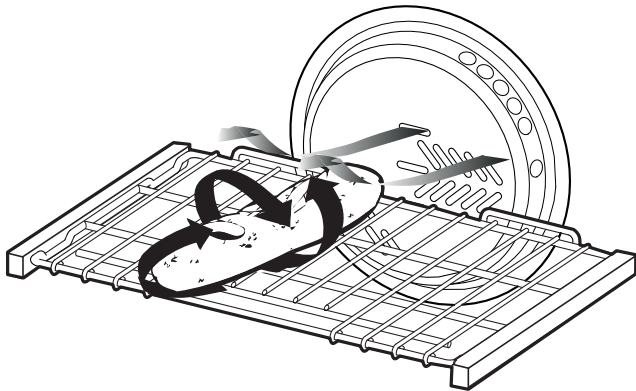


Figura 32: Ventilador de convección

Se deben usar moldes poco profundos con el horneado de convección. Esto permite que el aire caliente circule alrededor de los alimentos. Moldes con bordes altos o moldes tapados no son aptos para el horneado de convección porque los costados altos o las tapas no permiten que el aire caliente circule alrededor de los alimentos.

Se pueden usar sus moldes preferidos para el horneado de convección, siempre y cuando sean poco profundos para permitir que el aire caliente circule alrededor de los alimentos. Cualquier alimento horneado de modo destapado quedará dorado uniformemente y tendrá una corteza perfecta. Los alimentos en platos tapados (guisados, estofados) o flanes delicados no se benefician del horneado de convección.

Horneado de convección

Usted puede ahorrar mucho tiempo horneando un lote completo de galletas al mismo tiempo. Las galletas se hornean uniformemente y terminan todas al mismo tiempo. Se puede acortar el tiempo del horneado debido al aire caliente de circulación. Para alimentos más pequeños como galletas, verifique que estén cocidos uno o dos minutos antes del tiempo de la receta. Para alimentos más grandes como pasteles, revise cinco a seis minutos antes del tiempo indicado en la receta.

Cocinar carne y aves con el modo de convección produce alimentos dorados y crujientes afuera y húmedos y jugosos en el interior. Cortes grandes de carne o ave pueden quedar terminados hasta 30 minutos antes que el tiempo sugerido, así que por favor verifique que no se cuezan demasiado. Un termómetro para carne o un termómetro de lectura inmediata proporcionará resultados más precisos que el método del "minuto por libra". Entre más grande el corte de carne o de ave, más tiempo podrá ahorrar.

Convertir el horneado convencional al horneado de convección

Para convertir la mayoría de recetas para hornear (galletas, pasteles, tartas, etc.) al modo de convección, debe reducir la temperatura del horno por 25°F. No se debe reducir la temperatura para carnes y aves. Se debe usar la misma temperatura recomendada en las recetas y tablas de cocinar para cocer carnes y aves.

Consejos para el Horneado de Convección

Precalentar el Horno

Precalente el horno antes de cocinar. Vea su receta para las recomendaciones del precalentado. El tiempo del precalentado depende del ajuste de temperatura y del número de rejillas en el horno.

Hornear a Gran Altitud

Cuando hornee a grandes altitudes, ya sea en el modo de **HORNEAR** u **HORNEAR DE CONVECCIÓN**, pueden variar los tiempos de las recetas y del horneado. Para información más precisa, escriba a Extension Service, Colorado State University, Fort Collins, Colorado 80521. Los boletines pueden tener un costo. Especifique el tipo de información que desea (ejemplo: pasteles, galletas, panes, etc.).

Condensación

Es normal que cierta cantidad de humedad se evapore de los alimentos durante cualquier proceso de cocina. La cantidad depende de la humedad contenida en el alimento. La humedad se va a condensar en cualquier superficie más fría que el interior del horno, tal como el panel de control.

Ajuste de Temperatura

Cuando usa el modo de hornear de convección, reduzca la temperatura recomendada por 25°F, excepto para carnes. Cuando asa carnes, verifique la temperatura interna antes del tiempo recomendado en la receta para evitar que se cuezan demasiado.

Posiciones de Rejillas

Vea *Figura 28 en la página 122* las posiciones de las rejillas para hornear.

Hornear con una rejilla

Nivel	Modo CONVEC BAKE
#3	-- Cuando hornee en una sola rejilla, se obtienen mejores resultados con el modo de hornear (vea Hornear).
#2	-- Cuando asa pavo o un corte grande de carne, se puede usar el horneado de convección.

Hornear con dos rejillas

Nivel	Modo CONVEC BAKE
#3 & #5 Mixtas	-- Las rejillas #3 y #5 son mejores cuando usa el modo del horneado de convección. No se deben apilar los moldes, pero el molde en la rejilla #3 debe quedar colocado directamente debajo del molde en la rejilla #5.
#2 & #4 Gas	-- Cuando desea hornear varios guisados, tartas congelados o pasteles. -- También se pueden usar estas dos rejillas para una comida grande en el horno.

Hornear con tres rejillas

Nivel	Modo CONVEC BAKE
#1, #3, & #5 Gas vea note	-- Cuando se utilizan varias placas de hornear, se deben colocar unas sobre las otras en su respectiva rejilla para dejar que el aire circule alrededor. -- Niveles de rejillas de las estufas de gas para: Galletas: #2, #3, & #4 Otros alimentos: #1, #3, & #5

Tipo de molde

- Moldes de aluminio producen los mejores resultados de dorado.
- Bandejas de galleta con solamente dos costados producen mejores resultados. Se pueden usar bandejas comerciales de aluminio o utensilios profesionales para hornear.

Colocación

- Para un mejor dorado, se deben colocar los utensilios como bandejas de galleta, moldes para brazos de gitano y moldes rectangulares de modo cruzado en la rejilla con los costados más cortos en el lado derecho e izquierdo. Esto permite que el aire circule libremente.
- No se deben apilar los moldes cuando cocina con más de una rejilla.

Cómo deshidratar alimentos con el modo de cocción a convección

Utilice el modo de cocción a convección para deshidratar y conservar fruta y verdura.

Consejos:

- El tiempo de cocción varía según el grado de humedad y del contenido en azúcar de los alimentos, del tamaño de los trozos, de la cantidad de alimentos a deshidratar y de la humedad ambiente.
- Deshidrate la mayor parte de fruta y verdura a 150°F (66°C).
- Compruebe los alimentos cuando alcance el tiempo mínimo de secado.
- Es recomendable utilizar las rejillas de secado (no incluidas) para que el aire pueda circular alrededor de los alimentos. No coloque los alimentos directamente sobre una bandeja o placa de horno. Los alimentos deben estar colocados bastante altos en el horno para secarse uniformemente.
- Se pueden usar varias rejillas de secado simultáneamente.
- Para secar a la vez varias rejillas con alimentos, se pueden colocar las rejillas en los niveles 2 y 4, o 1, 3 y 5. Utilice únicamente el nivel 3 para una sola rejilla.
- Por cuestiones de salubridad, no se recomienda deshidratar carne.
- Consulte un libro sobre conservación de alimentos, una oficina regional de salubridad alimenticia o documentación disponible en bibliotecas para obtener más información.

ALIMENTO	PREPARACIÓN	APROX. HORAS	VERIFICACIÓN DE LA TERNEZA
FRUTA			
Manzanas	Moje los trozos en una disolución de ¼ de taza de zumo de limón y 2 tazas de agua. Rodajas de un cuarto de pulgada (¼ pulg.).	8 – 15	Ligeramente flexibles
Plátanos	Moje los trozos en una disolución de ¼ de taza de zumo de limón y 2 tazas de agua. Rodajas de un cuarto de pulgada (¼ pulg.).	8 – 15	Ligeramente flexibles
Cerezas	Limpie y seque con un trapo. Deshuese las cerezas frescas.	7 – 18	Curtidas y blandas
Pieles de naranja	Corte pieles finas de la peladura de las naranjas.	1 – 4	Secas y quebradizas
Rodajas de naranja	Rodajas de un cuarto de pulgada (¼ pulg.).	9 – 16	Piel seca y quebradiza, fruta ligeramente húmeda
Rodajas de piña en conserva	Seque con un trapo.	8 – 13	Lonchas blandas y flexibles
Rodajas de piña fresca	Seque con un trapo.	7 – 12	Lonchas blandas y flexibles
Fresas	Limpie y seque con un trapo. Corte rodajas de media pulgada (½ pulg.) de espesor. Coloque la piel contra la rejilla.	9 – 17	Secas y quebradizas
VERDURAS			
Pimientos rojos	Limpie y seque con un trapo. Quite la piel. Corte trozos de una pulgada.	13 – 17	Curtidos, sin humedad en el interior
Champiñones	Limpie y seque con un trapo. Corte rodajas finas de ⅛ de pulgada.	5 – 12	Duros y curtidos, secos.
Tomates	Limpie y seque con un trapo. Corte rodajas finas de ⅛ de pulgada. Vacíe bien.	5 – 12	Secos. Color de ladrillo rojo.

WARM (Guarda-caliente) (hornilla secundaria, sólo con los modelos de estufas mixtas de 48 pulg.)

Esta característica mantiene un ambiente caliente necesario para mantener los alimentos cocinados calientes.

Para establecer el horno secundario a caliente

1. Para precalentar el horno gire la perilla del selector de modo a Calentar (WARM) aproximadamente 10 minutos antes de usarlo. No gire la perilla del selector de temperatura a ninguna posición (déjelo en la posición OFF (Apagado)).
2. Coloque los alimentos calientes en el horno secundario y cierre la puerta. La temperatura ideal para mantener los alimentos calientes será mantenida hasta que el Interruptor de Selección sea apagado.
3. No abra la puerta del horno innecesariamente. El abrir la puerta reducirá la temperatura del horno.

▲ PRECAUCIÓN

Asunto de Seguridad de Alimentos Posible Envenenamiento por Alimentos

No utilice el modo Guarda-caliente (WARM) para cocinar alimentos. El modo del horno para calentar no es lo suficientemente caliente para cocinar alimentos a temperaturas seguras.

TEMPERATURAS MÍNIMAS DE COCCIÓN INTERNA

Las temperaturas mínimas de cocción interna consideradas como seguras para que se pueda comer un alimento, tal y como lo estableció el *U. S Department of Agriculture Food Safety and Inspection Service*, son las siguientes:

Carne molida fresca (res, ternera, cordero, cerdo)	160°F (72°C)
Chuletas, filetes y asados de res, ternera y cordero	
En su punto	145°F (63°C)
Término medio	160°F (72°C)
Bien hecho	170°F (77°C)
Chuletas, filetes y asados de cerdo fresco	
Término medio	160°F (72°C)
Bien hecho	170°F (77°C)
Jamón	
Cocido antes de ser comido	160°F (72°C)
Cocido y calentado	140°F (60°C)
Ave	
Pollo o pavo molido	165°F (74°C)
Pollo o pavo entero	180°F (82°C)
Pechugas asadas	170°F (77°C)
Muslos y alas	180°F (82°C)
Relleno (preparado solo o en un ave)	165°F (74°C)
Platos a base de huevos, guisos	160°F (72°C)

* Para obtener una cocción uniforme, asegúrese de que los alimentos sean más o menos igual de gruesos por todas partes.

PROOF (Preparación de masa) (hornilla secundaria, sólo con los modelos de estufas mixtas de 48 pulg.)

La característica de prueba mantiene la temperatura y sin corrientes de aire necesarios para probar productos con contenido de levadura.

Es mejor utilizar la función de fermentación cuando la hornilla está fría.

Para establecer el horno secundario para prueba

1. Deje tiempo para que la masa se descongele cuando está congelada.
2. Coloque la masa en un plato dentro de la hornilla y cúbrala parcialmente.
3. Use cualquier posición de rejilla que corresponda a las dimensiones del recipiente o del molde. Cierre la puerta.
4. Gire el selector de modo a PROOF. No gire la perilla de control de temperatura de la hornilla.

DIMENSIÓN	TIEMPO
Hogaza, 1 lb (0.45 kg)	60 – 75 minutos
Bollos, 0.1 lb (0.05 kg)	30 – 45 minutos

La temperatura ideal para la preparación de la masa se mantendrá hasta apagar el selector de modo.

La fermentación de la masa está terminada cuando ha doblado su tamaño.

No abra la puerta inútilmente para evitar que disminuya la temperatura de la hornilla, lo que aumentará el tiempo necesario para la preparación de la masa. Use la luz de la hornilla para ver la evolución de la masa.

Se puede reducir el tiempo de preparación de la masa cuando se usa la hornilla principal al mismo tiempo. Compruebe la masa para evitar dejarla demasiado tiempo en la hornilla. Para obtener mejores resultados, le aconsejamos, si usa la hornilla principal durante largos periodos, que prepare la masa antes de usar la hornilla principal.

Otros usos del horneado

Cocinar lentamente y usos del horno con temperaturas bajas

Además de proporcionar temperaturas perfectas para hornear y tostar, se puede usar el horno a temperaturas bajas para mantener calientes alimentos cocidos a temperaturas de servir y para calentar platos.

Se pueden mantener alimentos cocidos calientes a sus temperaturas de servicio. Ajuste el horno al modo de hornear y use la temperatura sugerida en la tabla.

Para lograr mejores resultados, precaliente el horno a la temperatura deseada.

Temperaturas sugeridas para mantener calientes los alimentos

ALIMENTO	TEMPERATURA DEL HORNO
Res	150°F (70°C)
Tocino	225°F (110°C)
Panecillos y molletes (tapados)	200°F (90°C)
Guisados (tapados)	200°F (90°C)
Pescados y mariscos	200°F (90°C)
Alimentos freídos con mucho aceite	225°F (110°C)
Salsa gravy o cremosa (tapadas)	175°F (80°C)
Cordero y ternera	200°F (90°C)
Crepas y waffles (tapados)	225°F (110°C)
Papas horneadas	200°F (90°C)
Puré de papas (tapadas)	175°F (80°C)
Pays y pastelitos	175°F (80°C)
Pizza (tapadas)	225°F (110°C)
Puerco	200°F (90°C)
Aves (tapadas)	200°F (90°C)
Verduras (tapadas)	175°F (80°C)

BROIL (ASAR) con todos los modelos y CONV BROIL (ASAR POR CONVECCIÓN) con las estufas mixtas

Posiciones de rejillas

Se recomienda precalentar el quemador aparato del grill antes de comenzar a cocinar. Precaliente el horno durante tres minutos, luego coloque el plato en el horno.

Hornilla principal de estufa mixta

Nivel	Modo BROIL - Estufa mixta
#5	-- Use esta posición de rejilla cuando asa filetes de res, hamburguesas de carne molida y chuletas de cordero con un grosor de 1 pulgada o menos. Además, úselo cuando quiera dorar alimentos.
#4	-- Use esta posición de rejilla cuando ase carnes con un grosor de 1-1/8 pulgada o más, pescado, aves, chuletas de puerco, filetes de jamón con un grosor de 1 pulgada o más.
#3	-- Use esta rejilla cuando asa pollo en cuartos o mitades.

Hornilla principal de estufa de gas

Nivel	Modo BROIL - Estufa de gas
#4	-- Use esta posición de rejilla cuando asa filetes de res, hamburguesas de carne molida y chuletas de cordero con un grosor de 1 pulgada (25,4 mm) o menos. Además, úselo cuando quiera dorar alimentos.
#3	-- Use esta posición de rejilla cuando ase carnes con un grosor de 1-1/8 pulgada (25,4 mm) o más, pescado, aves, chuletas de puerco, filetes de jamón con un grosor de 1 pulgada (25,4 mm) o más. Use esta rejilla cuando asa pollo en cuartos o mitades.

Hornilla secundaria (estufa de 48")

Nivel	Modo BROIL - Hornilla secundaria
#3, #4, o #5 – Mixtas #1, #3, o #4 – Gas	-- Dependiendo del tipo y grosor de los alimentos.
#5 – Mixtas #3 – Gas	-- Puede ser utilizado para dorar por fuera los alimentos.

Obtener los mejores resultados

- Descongele los alimentos antes de cocinarlos.
- Se debe cerrar la puerta durante el modo de asar.
- Las carnes deben tener un grosor mayor de 1 pulgada (25,4 mm) si quiere tener carne con acabado de vuelta y vuelta. Use el asado de convección si las carnes tienen un grosor mayor de 1½ pulgadas (38 mm). Asador de convección es disponible en horno más grande.
- Voltee los alimentos solamente una vez, después de que lleve la mitad del tiempo cocinándose. No es necesario voltear alimentos muy delgados (rebanadas de jamón, filetes de pescado, etc.). Se deben voltear rebanadas de hígado sin importar el grosor.
- Centre los alimentos directamente abajo del elemento de asar para lograr un mejor dorado.

Precalentamiento del grill

Se recomienda precalentar el quemador aparato del grill antes de comenzar a cocinar. Precaliente el horno durante tres minutos, luego coloque el plato en el horno.

Utensilios

- Viene con la estufa una bandeja de asar de dos piezas de porcelana esmaltada con una rejilla. **NO** forre la pieza de ranuras (superficie) con papel de aluminio.
- Use moldes de metal o de vitrocerámica para dorar guisos, platos principales o pan.
- **NO** use vidrio refractario o cerámica. Este tipo de material no puede resistir el intenso calor del quemador del grill.
- La pequeña bandeja de asar de dos piezas de porcelana está diseñada para la hornilla secundaria de los modelos de 48 pulgadas.

NOTA: Es imposible usar la hornilla y el grill al mismo tiempo. Cuando uno de los dos está prendido, no se puede prender el otro.

Ajuste del asador/asador por convección

Solamente calientan los quemadores del techo de la hornilla con el modo BROIL (asador). Un buen asado requiere una exposición constante a un calor intenso.

1. Coloque la rejilla en la posición deseada.
2. Cambie el selector al modo BROIL o CONV BROIL.
3. Cambie la perilla de control de la temperatura al modo BROIL.
4. Ponga los alimentos en la hornilla, en la posición deseada, como se indica abajo.

5. La puerta de la hornilla debe estar cerrada durante el uso del grill.

- Su estufa viene con una bandeja grande de asar de dos piezas. La grasa procedente de la cocción cae por las ranuras de la parte superior a la parte inferior de la bandeja, alejándose del calor intenso de los quemadores de gratinar para minimizar las salpicaduras y la formación de humo.
- Los modelos de 48 pulg. se venden con una pequeña bandeja de asar de dos piezas de porcelana, para la hornilla secundaria.

Operación automática del ventilador de enfriamiento

El ventilador de enfriamiento se prende solamente después de que la hornilla alcance 300°F (149°C). Cuando se apaga la hornilla, el ventilador sigue funcionando hasta que la hornilla alcanza la temperatura de 250°F (121°C).

NO siga usando el grill si el ventilador de enfriamiento no se enciende. Llame a una agencia de servicio calificada para reparar la estufa.

Recomendaciones para asar

Se deben colocar todas las carnes en la bandeja de asar vendida con la estufa.

ALIMENTOS	REJILLA	MODO
RES Carne molida Hamb., ½ pulg. (12,7 mm)	#5 – Mixtas #4 – Gas	BROIL o CONV BROIL*
Filete falda	#4	BROIL o CONV BROIL
Solomillo	#4	BROIL o CONV BROIL*
Asado de costillas	#3	BAKE o CONV BAKE
PANES Tostadas, pan de ajo, etc.	#4 – Mixtas #3 – Gas	BROIL
AVES Pechugas de pollo sin hueso / piel	#4	BAKE o CONV BAKE
Muslos de pollo	#3	BROIL o CONV BROIL*
Medios pollos	#3	BROIL o CONV BROIL*
Pollo asado	#2	BAKE o CONV BAKE
Pavo	#2	BAKE o CONV BAKE

* Sólo algunos modelos.

Cuidado y Mantenimiento

Autolimpieza de la hornilla (sólo estufas mixtas)

▲ ADVERTENCIA

- No deje niños solos en un lugar donde se utilizan electrodomésticos.
- Durante el ciclo de autolimpieza, las superficies exteriores del aparato pueden estar más calientes que de costumbre. Algunas piezas del aparato pueden ser peligrosas para los niños y para las personas que no tienen el conocimiento de un adulto respecto a los electrodomésticos o que no reaccionan como debería hacerlo un adulto en una situación potencialmente peligrosa. Esas personas deberían alejarse durante la autolimpieza o la utilización del aparato.
- La eliminación de residuos durante el proceso de autolimpieza puede favorecer la emisión de pequeñas cantidades de productos químicos o de otras sustancias que podrían ser peligrosas en caso de una exposición suficientemente prolongada. Para minimizar la exposición a dichas sustancias, asegúrese de que la ventilación sea la adecuada abriendo una ventana o utilizando un ventilador o una campana extractora.
- Mantenga sus pájaros domésticos fuera de la cocina o de otras habitaciones que el humo de la cocina pueda alcanzar. El humo que se desprende del aparato puede ser dañino para los pájaros.

Nombres de marcas

El uso de nombres de marcas sirve únicamente para indicar un tipo de detergente y no constituye ninguna promoción. La omisión de un nombre de marca no implica su aptitud o insuficiencia. Muchos de los productos mencionados se pueden encontrar en los mercados locales. Es imprescindible usar todos los productos rigurosamente conforme a las instrucciones del empaque. La siguiente tabla da indicaciones para limpiar la estufa.

Sobre la autolimpieza

El modo de autolimpieza de su nueva estufa incluye una función de autolimpieza pirolítica. Cuando se cambia al modo CLEAN, la hornilla alcanza altas temperaturas de aproximadamente 850°F (454°C) que queman los restos de comida y de grasa.

Cuando la hornilla está en el modo CLEAN, puede utilizar los quemadores estándares y la plancha. Los quemadores que tienen la función ExtraLow® no se pueden usar.

Es normal ver humo y/o una llama ocasional durante el ciclo de autolimpieza, dependiendo del contenido y de la cantidad de suciedad que queda en la hornilla. Si persiste una llama, apague la hornilla y deje que se enfríe antes de abrir la puerta para limpiar los restos de comida con un trapo.

Al final del ciclo de autolimpieza, pueden quedar algunos residuos quemados o cenizas dentro de la hornilla. Se trata de restos minerales que no se quemaron o derritieron. La cantidad de cenizas depende de hasta qué punto estaba sucia la hornilla antes de limpiarla. Es fácil quitar estos residuos, una vez que la hornilla se ha enfriado, usando una toalla de papel, una esponja o un trapo húmedo.

Limpie todos los residuos que queden en el bastidor delantero con Fantastik® o Bar Keeper's Friend®. Si algunas manchas persisten, use un detergente líquido suave. La cantidad de manchas de humo está relacionada directamente a la cantidad de restos alimenticios que se quedaron dentro de la hornilla en el momento de proceder a la autolimpieza. Limpie la hornilla frecuentemente.

Antes de proceder a la autolimpieza de la hornilla

Quite las acumulaciones de grasa y todos los residuos fáciles de limpiar que se encuentran en la hornilla y cerca del cierre hermético de la puerta para reducir las posibilidades de producción de llamas o de humo. Este aparato está diseñado para limpiar el interior de la hornilla y la parte de la puerta del interior de la hornilla. Los bordes exteriores de la puerta no forman parte de la zona de limpieza. Limpie esta área.

ANTES DE AJUSTAR LA HORNILLA AL MODO DE AUTOLIMPIEZA

- Saque todos los utensilios de la hornilla.
- Saque las rejillas.
- Limpie el bastidor delantero de la hornilla y el exterior de la puerta. Recoja los derrames y las acumulaciones de grasa.
- Asegúrese de que las bombillas y las cubiertas de lentes de las lámparas estén en su lugar.
- Encienda la campana y déjela encendida hasta que el ciclo de autolimpieza de la hornilla acabe.

IMPORTANTE:

Durante el primer ciclo de autolimpieza, retire animales pequeños y pájaros de la cocina y de las áreas cercanas. Abra una ventana cercana para una ventilación adicional.

Cierre automático

Cuando comienza el ciclo de autolimpieza, la puerta se bloquea automáticamente. Asegúrese de que la puerta de la hornilla esté bloqueada al comienzo del ciclo de autolimpieza.

Cómo programar la autolimpieza de las hornillas

1. Seleccione **SPEED CLEAN** con el anillo de selección de modo.
2. Ponga la perilla de ajuste de la temperatura en **CLEAN**.
 - La puerta de la hornilla se bloquea y el ventilador de enfriamiento se enciende.
 - Las testigos OVEN ON, PREHEATING y CLEANING se encienden.

OVEN ON PREHEATING CLEANING



- Cuando la hornilla alcanza la temperatura de autolimpieza máxima, el testigo PREHEATING se apaga.

NOTA: El proceso del cierre de la puerta necesita aproximadamente 20 segundos, después de los cuales la puerta se bloquea. Asegúrese de que la puerta esté bloqueada correctamente.

Al final del ciclo de autolimpieza

El ciclo de autolimpieza dura unas cuatro horas. Cuando termina el ciclo se apagan las luces OVEN y CLEANING. No cambie la perilla de control de la hornilla a la posición OFF antes de que el bloqueo automático esté en la posición de abierta.

1. Seleccione OFF usando el selector.
 - El seguro de la puerta se abrirá automáticamente cuando la temperatura sea inferior a 500°F (260°C) y el bloqueo automático de la puerta terminará su ciclo de 20 segundos hacia la posición abierta.
 - Se apaga el ventilador de enfriamiento cuando la temperatura de la hornilla es inferior a 375°F (191°C).

2. Cambie la perilla de control de la hornilla a la posición OFF.

⚠ ADVERTENCIA

El interior de la hornilla sigue estando a temperaturas de hornear cuando el bloqueo automático cambia a la posición abierta, y se puede abrir la puerta de la hornilla.

NOTAS:

- Se puede cancelar el modo de autolimpieza hasta dos veces después del principio del ciclo. Se debe cancelar el modo durante los cinco primeros minutos del ciclo. Si después de la segunda cancelación, la función de autolimpieza se interrumpe de nuevo, no se podrá utilizar durante 24 horas. Todos los demás modos conservarán sus funciones originales.
- Si el usuario intenta utilizar el modo de autolimpieza en una hornilla cuya función de autolimpieza se ha bloqueado, las luces de la hornilla parpadearán a intervalos de dos segundos para indicar que el modo no está disponible. El usuario debe girar las perillas a OFF para que las luces dejen de parpadear.

Consejos de limpieza

⚠ ADVERTENCIA

Evite limpiar la estufa o sus piezas mientras estén calientest.

- El acabado de porcelana esmaltada resiste los ácidos, pero no es a prueba de ácidos. Seque de inmediato los derrames de alimentos ácidos, tal como jugos cítricos, tomates, ruibarbo, vinagre, l alcohol o leche y evite hornearlos sobre la porcelana durante el siguiente uso.
- No es necesario limpiar los quemadores infrarrojos de la(s) hornilla(s). Se limpian solos cuando se usa la hornilla.

Al limpiar la estufa:

- Use la técnica de limpieza más suave pero que limpie de manera eficaz. Algunos detergentes del mismo tipo son más abrasivos que otros. Úselo primero en un área pequeña.
- Siempre frote los acabados metálicos en la dirección de las líneas de pulido para mayor efectividad y para evitar dañar la superficie.
- Use solamente trapos limpios suaves, esponjas, toallas de papel, cepillos fibrosos, esponjillas de plástico, no metálicas, para limpiar y frotar, como se recomienda en la tabla.

- Se pueden limpiar la mayoría de las partes de este aparato con agua jabonosa caliente (menos cuando hay indicaciones contrarias acerca de algunas piezas). Cuando se necesite enjuagar, hágalo a fondo.
- Seque siempre de inmediato para evitar marcas de agua.
- **NO USE DETERGENTES A BASE DE CLORO.**

Quitar las guías de la rejilla para limpiarlas (sólo estufas de gas)

1. Levante la parte delantera de la guía de rejilla para liberar las cabezas de los dos pernos de reborde en el frente de la cavidad del horno.
2. Quite la parte delantera de la guía de rejilla jalando las ranuras de la guía encima de los pernos de reborde.
3. Sacar los dos rieles de los orificios en la parte trasera de la cavidad del horno. Las guías de rejilla están diseñadas para caber en cualquier lado de la cavidad del horno.

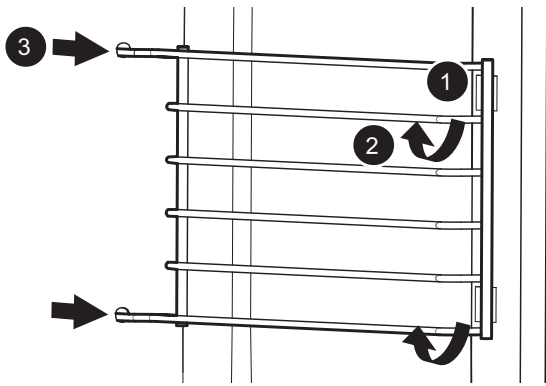
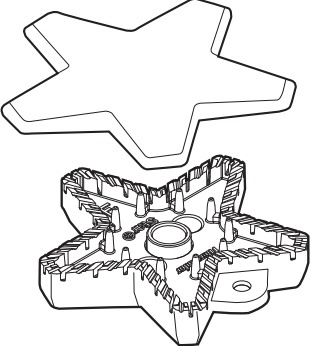
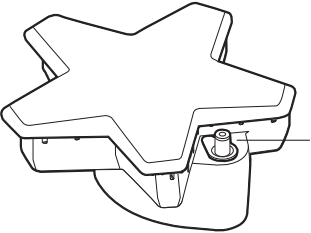
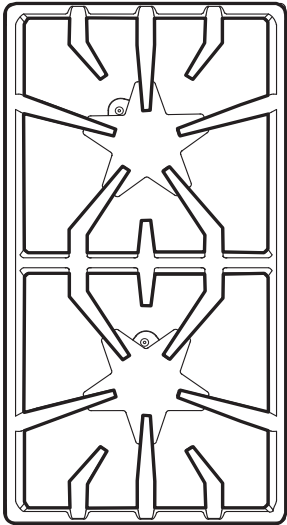
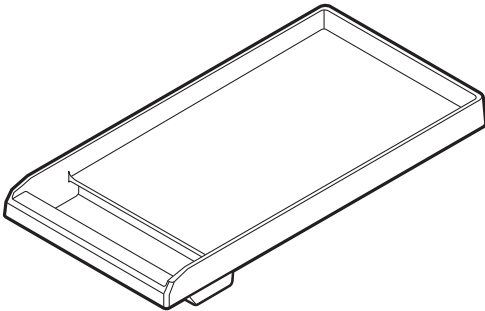
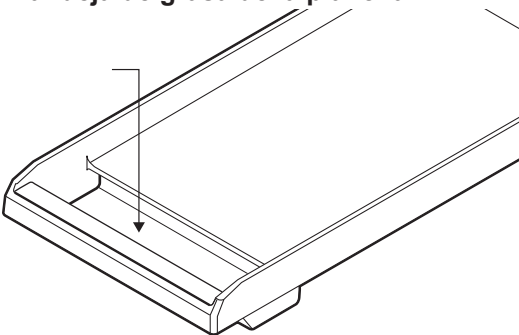
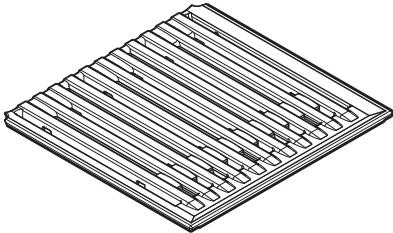
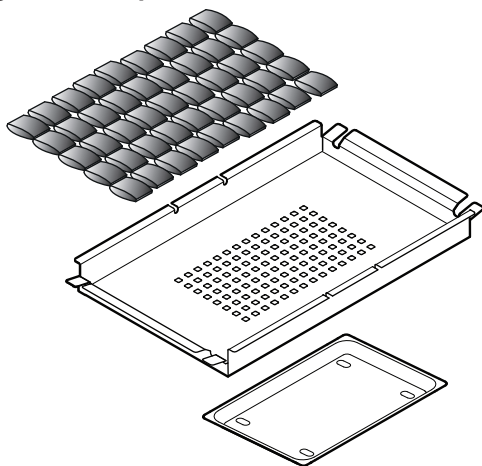


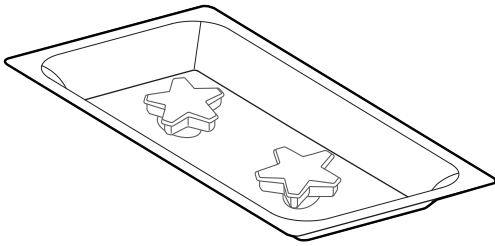
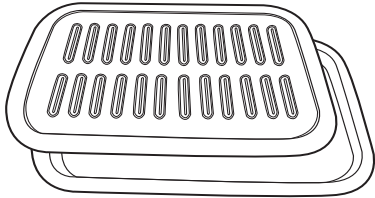
Figura 33: Quitar las guías de la rejilla

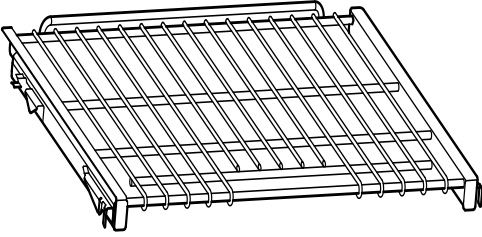
Recomendaciones de limpieza

PARTE/MATERIAL	NOTAS ACERCA DE LA LIMPIEZA
<p>Base de quemador de latón y tapa de hierro fundido</p> 	<ul style="list-style-type: none"> • Cepillo dental de cerdas de nylon duras para limpiar los orificios. • Después de limpiar, comprobar que la tapa de quemador STAR® queda bien colocada sobre la base de quemador STAR. • Limpiadores sugeridos; enjuagar y secar bien <ul style="list-style-type: none"> -- Agua caliente y detergente -- Bon-ami® -- Cameo® Aluminum and Stainless Steel Cleaner -- Wright's® All Purpose Brass Polish -- Kleen King®
<p>Generadores de chispas Cerámica</p> 	<ul style="list-style-type: none"> • NO utilice utensilios afilados para raspar los generadores de chispas. Son frágiles. Si se daña un generador de chispas, no podrá encender el quemador STAR®. • Limpiadores sugeridos: <ul style="list-style-type: none"> -- Utilice un hisopo de algodón humedecido con agua -- Fantastik®
<p>Perillas de control / Metal Engastes / Cromado Rejillas / Cromado</p>	<ul style="list-style-type: none"> • NO sumergir las perillas. • NO colocar las perillas en el eje de válvula erróneo. • Limpiadores sugeridos; enjuagar y secar bien <ul style="list-style-type: none"> -- Utilice un hisopo de algodón humedecido con agua
<p>Acabado exterior / Consola trasera Acero inoxidable</p>	<ul style="list-style-type: none"> • El acero inoxidable es resistente a la mayoría de manchas y marcas de comida, siempre que se mantenga la superficie limpia y protegida. • Frótelo ligeramente en la dirección de las líneas de pulido. • El cloro y los compuestos clorados de algunos limpiadores son corrosivos para el acero inoxidable. Compruebe los ingredientes en la etiqueta. • Limpiadores sugeridos; enjuagar y secar bien: <ul style="list-style-type: none"> -- Agua caliente y detergente -- Fantastik® -- Siege® Stainless Steel and Aluminum Cleaner -- Kleen King® Stainless Steel Liquid Cleaner -- Lustrador: Stainless Steel Magic® para proteger el acabado contra las manchas y marcas; mejora el aspecto. -- THERMADOR Stainless Steel Conditioner (0057669) -- Manchas de agua difíciles: vinagre doméstico. • Decoloración por calor; enjuagar y secar bien: <ul style="list-style-type: none"> -- Cameo® -- Barkeepers Friend® -- Zud® -- Wright's® All Purpose Brass Polish

PARTE/MATERIAL	NOTAS ACERCA DE LA LIMPIEZA
<p>Rejillas Esmalte de porcelana en hierro fundido</p> 	<ul style="list-style-type: none"> • Las parrillas son pesadas; levántelas con cuidado. Colóquelas sobre una superficie protegida. • A veces, la textura áspera de las rejillas puede arrancar virutas de aluminio de la parte inferior de las sartenes y rellenar los espacios entre las ranuras elevadas de la superficie de las rejillas. Ponga especial atención cuando cocine con sartenes y ollas de latón y de aluminio, ya que esos tipos de utensilios suelen dejar depósitos de metal sobre las rejillas. • Las ampollas, grietas y descascarados son comunes debido a las temperaturas extremas en las garras de la parrilla y los súbitos cambios de temperatura. • Los productos muy ácidos o con mucha azúcar derramados deterioran el esmalte. Elimine los restos inmediatamente. • Los limpiadores abrasivos pueden deteriorar el esmalte si se utilizan con demasiada frecuencia o vigor. • Limpiadores sugeridos; enjuagar y secar bien: <ul style="list-style-type: none"> -- Agua caliente y detergente -- Bar Keeper's Friend[®] -- Fantastik[®] -- Bon-ami[®] -- Soft Scrub[®] • Manchas difíciles; enjuagar y secar bien: <ul style="list-style-type: none"> -- Estropajo de lana de acero enjabonado -- Lestoil[®] -- Otro desengrasante • Depósitos de metal: <ul style="list-style-type: none"> -- Estropajo de restregar Scotch Brite[®] -- Estropajo de acero
<p>Plancha Aluminio con revestimiento antiadherente</p> 	<ul style="list-style-type: none"> • No vierta NUNCA agua fría sobre una plancha caliente. Podría deformarse o agrietarse. • NO limpie ninguna parte de la parrilla o la plancha en un horno con autolimpieza. • Limpie la superficie de la plancha con agua caliente jabonosa y enjuáguela con agua caliente. Séquela con un paño suave. • Si se adhieren partículas de comida en la placa de la plancha, elimínelas con un limpiador abrasivo suave como Soft Scrub[®]. • Limpiadores sugeridos; enjuagar y secar bien: <ul style="list-style-type: none"> -- Agua caliente y detergente -- Póngala en el lavavajillas -- Soft Scrub[®]
<p>Bandeja de grasa de la plancha</p> 	<ul style="list-style-type: none"> • Extraiga la bandeja cuando se haya enfriado la grasa. Procure que no se llene tanto que al ladearla para extraerla se vierta la grasa. • Limpie la bandeja para grasa después de cada uso. • Limpiadores sugeridos; enjuagar y secar bien: <ul style="list-style-type: none"> -- Agua caliente y detergente -- Póngala en el lavavajillas -- Soft Scrub[®]

PARTE/MATERIAL	NOTAS ACERCA DE LA LIMPIEZA
<p>Rejillas de la parrilla Esmalte de porcelana en hierro fundido</p> 	<ul style="list-style-type: none"> • Limpie las rejillas después de cada uso. • Coloque la rejilla de la parrilla en el fregadero y eche agua hirviendo sobre la rejilla. Coloque un trapo de cocina sobre ella y eche más agua sobre el trapo. Deje que los residuos se remojen. Rasque todos los residuos con un estropajo jabonoso. • Manchas difíciles; Soft Scrub®. • Limpiadores sugeridos; enjuagar y secar bien: <ul style="list-style-type: none"> -- Agua caliente y detergente -- Póngala en el lavavajillas -- Soft Scrub® -- Cepillo con hilos de latón suaves para las manchas tenaces. Los cepillos de alambres rígidos pueden arañar el revestimiento de porcelana de las rejillas y provocar que se oxiden antes de tiempo. • Manchas difíciles; enjuagar y secar bien: <ul style="list-style-type: none"> -- Estropajo de lana de acero enjabonado -- Lestoil® -- Otro desengrasante
<p>Briquetas de cerámica, Cesta de briquetas de cerámica, y Bandeja para la grasa de la parrilla</p> 	<ul style="list-style-type: none"> • Sugerencia de limpieza para las briquetas de cerámica; <ol style="list-style-type: none"> 1) Coloque cuidadosamente las briquetas de cerámica saturadas de grasa en un recipiente grande de seis litros o más. 2) Rellene el recipiente con agua limpia para que las briquetas estén cubiertas por al menos media pulgada de agua. 3) Lleve el agua a ebullición y déjela hervir durante 10 minutos. 4) Apague el fuego y deje que el agua se enfríe hasta una temperatura segura. 5) Tire el agua y seque las briquetas con un trapo viejo o servilletas de papel. 6) Deje que las briquetas se sequen al aire ambiente durante un mínimo de dos horas. Es posible que las briquetas tengan manchas de grasa permanentes después de la limpieza. 7) Vuelva a colocar las briquetas limpias y secas en la parrilla antes de volver a utilizarla. • Puede comprar nuevas briquetas de cerámica en la tienda electrónica de THERMADOR (número de pieza: <i>PABRICKBKN</i>). Consulte el dorso para obtener más información sobre el soporte técnico. ▲ PRECAUCIÓN: <ul style="list-style-type: none"> -- Se deben sustituir las briquetas de cerámica cuando estén negras, lo que significa que están saturadas de grasa y pueden producir mucho humo o incluso prenderse. • Detergentes recomendados para la cesta y la bandeja de grasa; enjuagar y secar bien: <ul style="list-style-type: none"> -- Agua caliente y detergente -- Bar Keeper's Friend® -- Póngala en el lavavajillas

PARTE/MATERIAL	NOTAS ACERCA DE LA LIMPIEZA
<p>Bandejas de protección de la superficie Esmalte de porcelana (acabado brillante)</p> 	<ul style="list-style-type: none"> • Si se usan limpiadores como Bar Keeper's Friend[®], Bon-ami[®], Comet[®] o Ajax[®], frote suavemente, ya que estos limpiadores pueden rayar el acabado. • Para comidas quemadas, pueden usarse estropajos enjabonados o de lana de acero. Hay que tener cuidado, ya que pueden rayar el acabado. • Limpiadores sugeridos; enjuagar y secar bien: <ul style="list-style-type: none"> -- Agua caliente y detergente -- Soft Scrub[®] -- Bar Keeper's Friend[®] -- Bon-ami[®] -- Comet[®] -- Ajax[®] • Manchas difíciles; enjuagar y secar bien: <ul style="list-style-type: none"> -- Estropajo de lana de acero enjabonado
<p>Puertas Acero inoxidable</p>	<ul style="list-style-type: none"> • Mantenga los limpiadores y el agua lejos de las aberturas de la puerta. Si entra agua o limpiador en las aberturas, el agua podría vetear el vidrio interior.
<p>Cavidad Esmalte de porcelana o acero</p>	<ul style="list-style-type: none"> • El esmalte de porcelana es resistente al ácido, pero no a prueba de todos los ácidos. Las comidas ácidas, como los jugos de cítricos, tomates, ruibarbo, vinagre, alcohol y leche, deben limpiarse y no dejar que se horneen sobre la porcelana durante el siguiente uso. Con el paso del tiempo, la porcelana se puede agrietar (apareciendo líneas finas como un cabello). Esto no afecta al rendimiento del horno. • Aplique detergente sobre una esponja o un trapo húmedo. Frote despacio. Enjuague bien y seque. Si se ha quemado algún alimento y ahora es difícil de limpiar, humidézcalos con un trapo empapado con el detergente recomendado. Cierre la puerta y deje en remojo hasta que pueda quitar fácilmente los residuos con un trapo jabonoso o levemente abrasivo. • Limpiadores sugeridos; enjuagar y secar bien: <ul style="list-style-type: none"> -- Agua caliente y detergente -- Vinagre doméstico y agua -- Bar Keeper's Friend[®] -- Soft Scrub[®] -- Bon-ami[®] -- Comet[®]
<p>Junta Junta de la puerta</p>	<ul style="list-style-type: none"> • Rocíelo y séquelo con un paño. No lo frote. No mueva, extraiga ni dañe la malla. • Limpiadores sugeridos; enjuagar y secar bien: <ul style="list-style-type: none"> -- Utilice un hisopo de algodón humedecido con agua -- Fantastik[®]
<p>Bandeja de asar Esmalte de porcelana</p> 	<ul style="list-style-type: none"> • Limpiadores sugeridos; enjuagar y secar bien: <ul style="list-style-type: none"> -- Agua caliente y detergente -- Vinagre doméstico y agua -- Póngala en el lavavajillas -- Bar Keeper's Friend[®] -- Soft Scrub[®] -- Bon-ami[®] -- Comet[®] -- Estropajo de lana de acero enjabonado

PARTE/MATERIAL	NOTAS ACERCA DE LA LIMPIEZA
<p>Rejillas y guías de rejilla del horno Revestimiento niquelado</p> 	<ul style="list-style-type: none"> • Algunos limpiadores comerciales para hornos ennegrecen y decoloran. Pruebe el limpiador en una pequeña parte de la rejilla y compruebe si decolora antes de limpiar toda la rejilla. • Las rejillas de la hornilla se decolorarán si se quedan en la hornilla durante el proceso de autolimpieza. • Si las rejillas no se deslizan con suavidad una vez limpiadas, moje un papel absorbente con aceite de cocina y frote ligeramente los rieles laterales. • NO LIMPIE LA HORNILLA SI TIENE LA FUNCIÓN DE AUTOLIMPIEZA. • Limpiadores sugeridos; enjuagar y secar bien: <ul style="list-style-type: none"> -- Agua caliente y detergente -- Vinagre doméstico y agua -- Póngala en el lavavajillas -- Bar Keeper's Friend[®] -- Soft Scrub[®] -- Bon-ami[®] -- Comet[®] • Manchas difíciles; enjuagar y secar bien: <ul style="list-style-type: none"> -- Estropajo de lana de acero enjabonado

Mantenimiento hecho por usted mismo

Reemplazar una bombilla en la hornilla

⚠ PRECAUCIÓN

- Asegúrese de que el aparato y las lámparas estén fríos y corte la alimentación del aparato antes de reemplazar las bombillas. De lo contrario, podría lesionarse o recibir una descarga eléctrica.
- Las cubiertas deben estar en su sitio cuando se usa el aparato.
- Las cubiertas a proteger las bombillas.
- Las cubiertas son de vidrio. Manipúlelas con cuidado para evitar romperlas. Las astillas de vidrio pueden causar lesiones.
- El casquillo está bajo tensión cuando la puerta está abierta.

Reemplácela solamente con una bombilla diseñada para hornillas. NO USE una bombilla estándar en la hornilla. Póngase en contacto con atención al cliente de THERMADOR® en el 1-800-735-4328 o con la tienda THERMADOR más cerca para obtener información sobre las bombillas que tiene que utilizar con su estufa. Debe tener el número de serie de su estufa.

Para reemplazar la bombilla

Utilice sólo bombillas halógenas de dos clavijas de 40 vatios, G9, 120 voltios. Utilice un trapo seco y limpio para manipular las bombillas halógenas. Ello alargará la vida útil de las bombillas.

1. Corte la alimentación del disyuntor.
2. Quite las rejillas de la hornilla.
3. Inserte un destornillador plano entre la atadura de fijación y la caja protectora (Figura 34, A). Sostenga la tapa de la lente de vidrio con dos dedos a lo largo del borde inferior para impedir que caiga en el piso de la hornilla. Gire con cuidado el destornillador para aflojar la tapa de la lente de vidrio.

4. Quite la tapa de la lente de vidrio y la atadura de fijación (Figura 34, B).
5. Quite la bombilla cogiéndola y tirando de ella hacia atrás hasta que las dos puntas salgan del soporte de cerámica. No toque el vidrio de la nueva bombilla con sus dedos sino podría no funcionar cuando la encienda. Coja la bombilla de reemplazo con un trapo limpio y seco. Localice las dos ranuras del soporte de cerámica empujando lentamente las dos puntas de la bombilla.
6. Tire hacia abajo para instalar la bombilla correctamente (Figura 34, C).
7. Instale la lente de protección en la atadura del soporte y empuje la otra extremidad hasta que la atadura de fijación se enganche a la caja protectora (Figura 34, D).

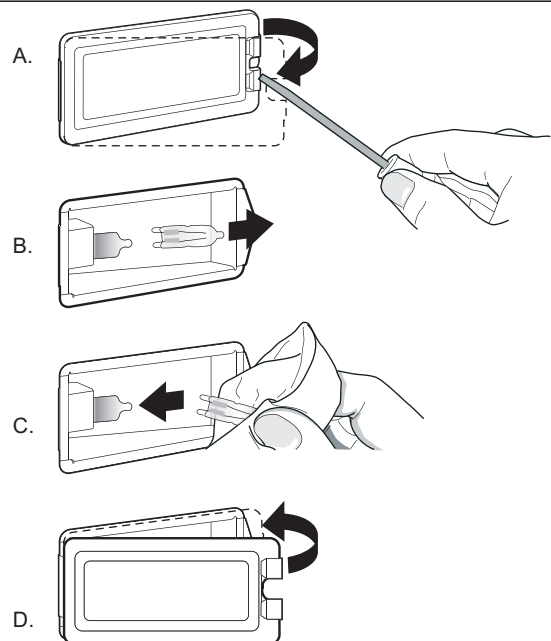


Figura 34: Ubicación de la abertura

8. Vuelva a encender el disyuntor.

Antes de solicitar servicio

Lista de verificación

Antes de solicitar servicio, compruebe lo siguiente para evitar cargos innecesarios de servicio.

Asegúrese de comprobar primero estos puntos:

- ¿Hay un apagón en el área?
- ¿Se quemó un fusible en la casa o se activó el disyuntor?
- ¿Está conectada la estufa a la alimentación eléctrica?

Cuando no se prenden los quemadores

- ¿Las tapas de los quemadores están bien alineados y asentados en sus bases?
- ¿Están tapados los puertos de los quemadores?
- ¿Se quemó un fusible en la casa o se activó el disyuntor?
- ¿Está cerrada la válvula de cierre del gas, impidiendo el suministro de gas?

Placa con información del aparato

La placa con información del aparato muestra el número de modelo y de serie de su estufa. Se encuentra en el bastidor, detrás de la puerta del horno (vea la ilustración).

No se deben quitar los diagramas del cableado eléctrico en el área para los pies excepto por un técnico de servicio. Vuelva a ponerlos después del servicio.

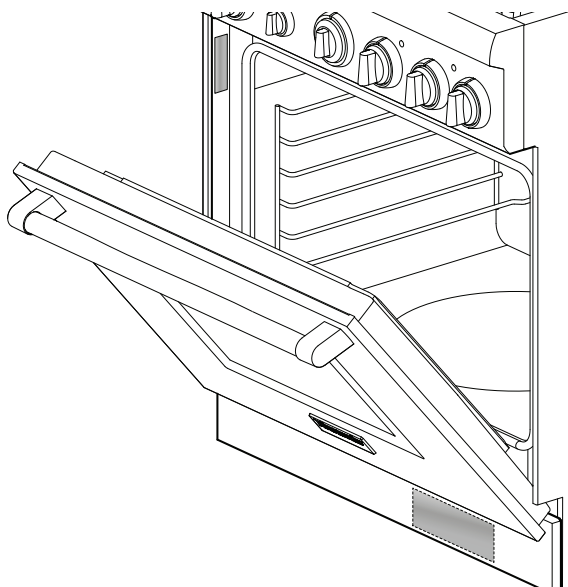


Figura 35: Ubicación de la placa de señalización

⚠ PRECAUCIÓN

Antes de quitar el rodapié, desenchufe la estufa. Reinstale el rodapié antes de conectar de nuevo el aparato a la fuente de alimentación eléctrica y usar la estufa.

Información para el servicio técnico

Para una consulta útil, anote aquí abajo la información de la placa de señalización situada entre el lado derecho del hueco de la hornilla y el panel lateral de la estufa. Conserve su factura para que su garantía sea válida.

Número de modelo _____

Número de serie _____

Fecha de compra _____

Además, anote esta información en el formulario de registro del producto que se incluye con esta estufa.

Registre su producto para asegurarse de recibir un servicio oportuno y de tener acceso a la información relativa a su producto. Puede registrar su producto de las siguientes formas:

1. Enviando por correo la carta de registro del producto THERMADOR.
2. Registrando su producto en línea www.thermador.com.
3. Llamando al teléfono de atención al cliente de THERMADOR 1-800-735-4328.

Resolución de problemas

SÍNTOMA	CAUSA POSIBLE	REMEDIO
Chispas intermitentes	<ul style="list-style-type: none"> Encendedor sucio o húmedo. Puertos del quemador tapados. 	<ul style="list-style-type: none"> Secar o limpiar bien el encendedor. Limpia puertos de la tapa del quemador con un alambre, una aguja o un clip enderezado.
Más de cuatro chasquidos del encendedor antes de prender	<ul style="list-style-type: none"> La tapa del quemador no cabe en la base del quemador. 	<ul style="list-style-type: none"> Alinear la tapa del quemador sobre la base del quemador.
Chispas constantes	<ul style="list-style-type: none"> La toma de tierra de la estufa está mal hecha. Alimentación eléctrica está mal polarizada. 	<ul style="list-style-type: none"> Consultar instrucciones de instalación. Contratar a un eléctrico cualificado para realizar la toma de tierra.
Los encendedores producen chispas, pero no se encienden las llamas.	<ul style="list-style-type: none"> La válvula del suministro de gas está en la posición "OFF". 	<ul style="list-style-type: none"> Abra la válvula de suministro de gas del aparato.
La estufa no funciona (las luces, la hornilla y los quemadores no se encienden)	<ul style="list-style-type: none"> No hay alimentación eléctrica. La hornilla está en modo Sabbath. 	<ul style="list-style-type: none"> Asegúrese de que el automático esté en la posición adecuada. Asegúrese de que el voltaje de la línea de alimentación eléctrica sea el adecuado. Asegúrese de que la hornilla no esté en modo Sabbath. Consulte la sección "Usar la estufa" en el Manual de uso y cuidado.
La bombilla de la hornilla no se enciende.	<ul style="list-style-type: none"> La bombilla se ha fundido. 	<ul style="list-style-type: none"> Reemplace la bombilla de la hornilla según las instrucciones proporcionadas en el Manual de uso y cuidado.
La puerta no se abre.	<ul style="list-style-type: none"> La hornilla aún está en el modo de autolimpieza. 	<ul style="list-style-type: none"> Si la hornilla está caliente, el pestillo de la puerta se abrirá sólo cuando la hornilla alcance una temperatura segura.
Los alimentos no cuecen lo suficiente en la hornilla.	<ul style="list-style-type: none"> La rejilla no está en la posición adecuada. El plato utilizado no es adecuado. Parece que la puerta de la hornilla no está bien sellada. El aparato no está nivelado. 	<ul style="list-style-type: none"> Consulte la sección "Usar la estufa" en el Manual de uso y cuidado. Consulte la sección "Recomendaciones para los utensilios de cocina" en el Manual de uso y cuidado. Limpie la junta de la puerta de la hornilla. Reemplácelo si está gastado. Consulte el Manual de instalación para obtener instrucciones de nivelación del aparato.
Sale aire caliente del aparato.	<ul style="list-style-type: none"> Es normal, durante el proceso de enfriamiento, que se evacue aire el la habitación cuando está encendida la estufa. Según el modo utilizado, la velocidad del ventilador aumenta y disminuye. 	<ul style="list-style-type: none"> Esto es normal.

Declaración de Garantía Limitada del Producto

Cobertura de esta garantía y a quiénes se aplica

La garantía limitada otorgada por BSH Home Appliances Corporation (BSH) en esta Declaración de Garantía Limitada del Producto se aplica únicamente al electrodoméstico THERMADOR® vendido a usted, el primer comprador usuario, siempre que el Producto haya sido Comprado:

- Para uso doméstico (no comercial) normal y que haya sido utilizado en todo momento únicamente para fines domésticos normales.
- Nuevo en una tienda minorista (que no sea un producto de exhibición, ni un producto vendido "en las condiciones en que se encuentra" ni un modelo devuelto anteriormente) y no esté destinado para reventa ni uso comercial.
- Dentro de los Estados Unidos o Canadá, y permanezca en todo momento dentro del país de compra original.

Las garantías incluidas en el presente se aplican únicamente al primer comprador del Producto y no son transferibles.

Asegúrese de devolver su tarjeta de registro; si bien no es necesario para hacer efectiva la cobertura de la garantía, es la mejor manera para que BSH le notifique en el caso poco probable de que se emita un aviso de seguridad o se retire del mercado un producto.

Duración de la garantía

Producto fabricado después del 1 de enero de 2012 cuyo número es igual o superior a FD920100000: BSH garantiza que el producto está exento de defectos de materiales y mano de obra por un período de (365) días desde la fecha de compra. El período mencionado precedentemente empieza a contarse en la fecha de compra y no se interrumpe, demora, amplía ni suspende por ninguna razón.

Producto fabricado después del 1 de enero de 2012 cuyo número es igual o superior a FD920100000: BSH garantiza que el producto está exento de defectos de materiales y mano de obra por un período de setecientos treinta (730) días desde la fecha de compra. El período mencionado precedentemente empieza a contarse en la fecha de compra y no se interrumpe, demora, amplía ni suspende por ninguna razón.

También se garantiza que este Producto no presenta defectos estéticos en el material ni en la mano de obra (como rayas en el acero inoxidable, imperfecciones en la pintura/porcelana, astillas, abolladuras ni ningún otro daño

en el acabado del Producto) durante un período de treinta (30) días desde la fecha de compra o fecha de cierre para una nueva construcción. Se excluyen de esta garantía por defectos estéticos las variaciones leves de color que se deban a diferencias inherentes a las piezas pintadas y de porcelana, así como diferencias provocadas por la iluminación de la cocina, la ubicación del producto u otros factores similares. Se excluye específicamente de esta garantía por defectos estéticos cualquier electrodoméstico en exposición, de piso, vendido "en el estado en que se encuentra" o de segunda selección.

Reparación / reemplazo como único recurso

Durante el período de esta garantía, BSH o uno de sus proveedores de servicio técnico autorizados reparará su Producto sin cargo para usted (con sujeción a determinadas limitaciones especificadas en el presente documento) si se prueba que su Producto ha sido fabricado con un defecto en los materiales o en la mano de obra. Si se ha intentado de manera razonable reparar el Producto sin éxito, BSH reemplazará su Producto (es posible que usted tenga disponibles modelos mejorados, a entera discreción de BSH, con un cargo adicional). Todas las piezas y los componentes extraídos serán propiedad de BSH, a su entera discreción. Todas las piezas reemplazadas o reparadas se considerarán como la pieza original a los fines de esta garantía, y esta garantía no será extensible a dichas piezas. En virtud del presente documento, la única y exclusiva responsabilidad y obligación de BSH es únicamente reparar el Producto defectuoso de fábrica, a través de un proveedor de servicio técnico autorizado por BSH durante el horario de oficina. Por cuestiones de seguridad y daños materiales, BSH recomienda encarecidamente que no intente reparar el Producto usted mismo ni usar un proveedor de servicio técnico no autorizado; BSH no será responsable ni tendrá obligación alguna sobre las reparaciones o trabajos realizados por un centro de servicio técnico no autorizado. Si usted prefiere que una persona que no sea proveedor de servicio técnico autorizado trabaje en su Producto, **ESTA GARANTÍA SE ANULARÁ AUTOMÁTICAMENTE.** Los proveedores de servicio técnico autorizados son aquellas personas o compañías que han sido especialmente capacitadas para manejar los productos de BSH y que tienen, según el criterio de BSH, una reputación superior de servicio con el cliente y capacidad técnica (debe tener en cuenta que son entidades independientes y no son agentes, socios, afiliados ni representantes de BSH). Sin perjuicio de lo anterior, BSH no tendrá responsabilidad ni obligación alguna sobre el Producto que se encuentre en un área remota (a más de 100 millas de un proveedor de servicio técnico autorizado) o en un lugar, área circundante o entorno que no sea accesible por medios razonables o que sea peligroso, hostil o arriesgado; en cualquier caso, cuando lo solicite, BSH de

todas maneras pagará por la mano de obra y las piezas, y enviará las piezas al proveedor de servicio técnico autorizado más cercano, pero usted seguirá siendo totalmente responsable del tiempo de viaje y demás cargas especiales de la compañía de servicio técnico, suponiendo que acepte hacer la visita de servicio técnico.

Producto fuera de garantía

BSH no tiene obligación alguna, en virtud de la ley o por otro motivo, de otorgarle ninguna concesión, incluidos reparaciones, prorrates o reemplazo del Producto, con posterioridad al vencimiento de la garantía.

Exclusiones de la garantía

La cobertura de garantía descrita en el presente documento excluye todos los defectos o daños que no fueron provocados directamente por BSH, incluidos, entre otros, alguno de los siguientes:

- Uso del Producto de maneras distintas del uso normal, habitual y previsto (incluidos, entre otros, cualquier forma de uso comercial, uso o almacenamiento en exteriores de un producto diseñado para interiores, uso del Producto en aeronaves o embarcaciones).
- Conducta indebida, negligencia, uso indebido, abuso, accidentes, descuido, operación inadecuada, omisión de mantenimiento, instalación inadecuada o negligente, adulteración, omisión de seguir las instrucciones de operación, manipulación inadecuada, servicio técnico no autorizado (incluidos "arreglos" o exploración de los mecanismos internos del electrodoméstico realizados por uno mismo) por parte de cualquier persona.
- Ajuste, alteración o modificación de cualquier tipo.
- Incumplimiento de los códigos, reglamentaciones o leyes de electricidad, fontanería o construcciones locales estatales, municipales o de condado, incluida la omisión de instalar el producto cumpliendo estrictamente con los códigos y las reglamentaciones locales de construcción y protección contra incendios.
- Desgaste habitual, derrames de alimentos, líquidos, acumulaciones de grasa u otras sustancias que se acumulen sobre el Producto, dentro o alrededor de este.
- Y cualquier fuerza o factor externo, elemental o ambiental, incluidos, entre otros, lluvia, viento, arena, inundaciones, incendios, aludes de lodo, temperaturas bajas extremas, humedad excesiva o exposición prolongada a la humedad, rayos, sobrecargas eléctricas, fallos estructurales alrededor del electrodoméstico y caso fortuito, circundantes, incluidos los gabinetes, pisos, techos y demás estructuras u objetos que se encuentren alrededor del producto. También se excluyen de esta garantía productos en los que los números de serie hayan sido alterados, modificados o eliminados; visitas del servicio técnico para enseñarle a usar el Producto o visitas en las que se determine que no hay ningún

problema con el Producto; corrección de los problemas de instalación (usted es el único responsable de cualquier estructura y soporte del Producto, incluidas todas las instalaciones de electricidad y fontanería o demás instalaciones de conexión, de la correcta instalación en bases / pisos y de cualquier alteración, incluidos, entre otros, gabinetes, paredes, pisos, repisas, etc.); y el restablecimiento de disyuntores o fusibles.

EN LA MEDIDA PERMITIDA POR LA LEY, ESTA GARANTÍA ESTABLECE SUS RECURSOS EXCLUSIVOS CON RESPECTO AL PRODUCTO, INDEPENDIENTEMENTE DE QUE LA RECLAMACIÓN SEA CONTRACTUAL O EXTRA CONTRACTUAL (INCLUIDA LA RESPONSABILIDAD OBJETIVA O LA NEGLIGENCIA), O DE CUALQUIER OTRO MODO. ESTA GARANTÍA REEMPLAZA TODAS LAS DEMÁS GARANTÍAS EXPRESAS O IMPLÍCITAS. LAS GARANTÍAS IMPLÍCITAS POR LEY, YA SEA DE COMERCIABILIDAD O APTITUD PARA UN FIN ESPECÍFICO, O DE CUALQUIER OTRO TIPO, TENDRÁN VIGENCIA ÚNICAMENTE DURANTE EL PERÍODO DE VIGENCIA DE LA PRESENTE GARANTÍA LIMITADA EXPRESA. EN NINGÚN CASO, EL FABRICANTE SERÁ RESPONSABLE DE LOS DAÑOS CONSECUENTES, ESPECIALES, INCIDENTALES, INDIRECTOS, POR "PÉRDIDAS COMERCIALES" O DAÑOS PUNITIVOS, PÉRDIDAS O GASTOS, INCLUIDOS, ENTRE OTROS, TIEMPO FUERA DEL TRABAJO, HOTELES O COMIDAS EN RESTAURANTES, GASTOS DE REMODELACIÓN QUE SUPEREN LOS DAÑOS DIRECTOS, QUE DEFINITIVAMENTE HAYAN SIDO CAUSADOS DE MANERA EXCLUSIVA POR BSH O DE OTRO MODO. ALGUNOS ESTADOS NO PERMITEN LA EXCLUSIÓN O LIMITACIÓN DE DAÑOS INCIDENTALES O CONSECUENTES, Y ALGUNOS ESTADOS NO PERMITEN LIMITACIONES CON RESPECTO AL PLAZO DE VIGENCIA DE UNA GARANTÍA IMPLÍCITA; POR LO TANTO, ES POSIBLE QUE LAS LIMITACIONES ANTERIORES NO SE APLIQUEN A USTED. ESTA GARANTÍA LE OTORGA DERECHOS LEGALES ESPECÍFICOS, Y TAMBIÉN PUEDEN CORRESPONDERLE OTROS DERECHOS QUE PUEDEN VARIAR SEGÚN EL ESTADO.

Cualquier intento de alterar, modificar o enmendar la presente garantía no tendrá vigencia, a menos que fuera autorizado por escrito por un ejecutivo de BSH.

Nos reservamos el derecho a modificar el producto sin previo aviso.

THERMADOR® Service | Entretien | Mantenimiento

Service

We realize that you have made a considerable investment in your kitchen. We are dedicated to supporting you and your appliance so that you have many years of creative cooking.

Please don't hesitate to contact our excellent STAR™ Customer Support Department if you have any questions or in the unlikely event that your THERMADOR® appliance needs service. Our service team is ready to assist you.

USA:
800-735-4328
www.thermador.com/support

Canada:
800-735-4328
www.thermador.ca

Parts & Accessories

Parts, filters, descalers, stainless steel cleaners and more can be purchased in the THERMADOR eShop or by phone.

USA:
www.thermador-eshop.com

Canada:
Marcone 800-287-1627
or
Reliable Parts 800-663-6060

Entretien

Nous savons bien que vous avez investi une somme considérable dans votre cuisine. Nous nous faisons un devoir de vous soutenir pour que vous puissiez profiter pleinement d'une cuisine où vous pourrez exprimer toute votre créativité de nombreuses années durant.

N'hésitez pas à communiquer avec l'un des membres chevronnés de notre équipe de soutien au client si vous avez des questions ou dans le cas plutôt improbable où votre appareil THERMADOR^{MC} aurait besoin d'entretien. Notre équipe sera prête à vous aider.

É.-U. :
800-735-4328
www.thermador.com/support

Canada :
800-735-4328
www.thermador.ca

Pièces et Accessoires

Vous pouvez vous procurer par téléphone ou à notre boutique THERMADOR en ligne des pièces, des filtres, des produits nettoyants pour acier inoxydable et plus encore.

É.-U. :
www.thermador-eshop.com

Canada :
Marcone 800-287-1627
or
Reliable Parts 800-663-6060

Mantenimiento

Nos damos cuenta que Usted invirtió una suma considerable en su cocina. Nos dedicamos a atenderle para que pueda sacar provecho de una cocina donde podrá expresar toda su creatividad durante muchos años.

Por favor, no dude en ponerse en contacto con uno de nuestros empleados ESTRELLAS™ de atención al cliente si tiene preguntas o en el caso más bien improbable que su aparato THERMADOR® necesite mantenimiento. Nuestro equipo estará listo para ayudarle.

EEUU:
800-735-4328
www.thermador.com/support

Canadá:
800-735-4328
www.thermador.ca

Piezas y Accesorios

Usted puede comprar piezas, filtros, productos de limpieza para acero inoxidable por teléfono o en nuestra tienda THERMADOR en línea.

EEUU:
www.thermador-eshop.com

Canadá:
Marcone 800-287-1627
or
Reliable Parts 800-663-6060

Thermador 

REAL INNOVATIONS FOR REAL COOKS®

1901 Main Street, Suite 600, Irvine, CA 92614 • 800-735-4328 • www.thermador.com
9001145083 • Rev. A • © BSH Home Appliances Corporation, 03/16