

# USE AND CARE GUIDE



THERMADOR PROFESSIONAL® PRO HARMONY® RANGES

**Thermador**★<sup>®</sup>  
REAL INNOVATIONS FOR REAL COOKS<sup>®</sup>

# USE AND CARE GUIDE

THERMADOR PROFESSIONAL™ PRO HARMONY® RANGES

**Models:**

PRD304GHU  
PRD364GDHU  
PRD366GHU  
PRD486GDHU  
PRD364NLHU  
PRD486NLHU  
PRD484NCHU

Table of Contents (English)..... 4



**Thermador**  <sup>®</sup>  
REAL INNOVATIONS FOR REAL COOKS <sup>®</sup>

---

# Congratulations!

Congratulations on your recent THERMADOR® purchase! Whether you are a dedicated chef or simply a connoisseur of the art of cooking, owning a THERMADOR kitchen is the ultimate expression of personal style, good taste and an appreciation for the complete culinary experience. Our award-winning products have been empowering culinary enthusiasts for more than eleven decades.

Before you begin using your new THERMADOR product, please take a moment to review the Use and Care Guide. You will find the answers to all of your questions as well as some very important safety information. Pay special attention to the **Important Safety Instructions** located at the beginning of the manual. Your THERMADOR product is ready and waiting to be used for your next gourmet creation!

Our products are handcrafted with the highest quality authentic materials to ensure years of reliable service. In the unlikely event that you have a service question, please have your model and serial numbers of your product available (see the *“Before Calling For Service”* section for location).

We realize that you have made a considerable investment in your kitchen. Please feel free to share your THERMADOR kitchen photos and remodeling stories with us. Follow us on Twitter or post your kitchen photos on Facebook. We would love to hear from you!

THERMADOR wishes you many years of creative cooking.

# Table of Contents

<b>Safety</b> .....	<b>5</b>	Baking Recommendations .....	31
<b>Description</b> .....	<b>11</b>	Convection .....	31
Parts Identification .....	11	Tips for Convection Bake .....	32
<b>Before You Begin</b> .....	<b>13</b>	Dehydrating Foods with Convection Bake .....	33
Getting Started .....	13	Warm (some models) .....	34
Oven Racks .....	13	Proof (some models) .....	34
Surface Burners .....	14	Other Uses of Bake .....	35
Oven Operation .....	14	Broil and Conv Broil (some models) .....	35
<b>Using The Cooktop</b> .....	<b>15</b>	Broiling Recommendations .....	36
Sealed STAR Burners .....	15	<b>Care and Maintenance</b> .....	<b>37</b>
ExtraLow Burners .....	17	Self-Cleaning the Oven (some models) .....	37
Cookware Recommendations .....	19	Range Cleaning Tips .....	38
Surface Burner Cooking Recommendations .....	21	Cleaning Recommendations .....	39
Using the Electric Griddle (some models) .....	23	<b>Do-It-Yourself Maintenance</b> .....	<b>44</b>
Griddle Cooking Recommendations .....	24	Oven Light Bulb Replacement .....	44
Using the Electric Grill (some models) .....	26	<b>Before Calling For Service</b> .....	<b>45</b>
Grill Cooking Recommendations .....	28	Data Rating Label .....	45
<b>Using the Oven</b> .....	<b>29</b>	Service Information .....	45
Oven Operation .....	29	Troubleshooting .....	46
Bake or Convection Bake .....	30	<b>Statement of Limited Product Warranty</b> .....	<b>47</b>
Extended Bake .....	30	<b>Support, Accessories &amp; Parts</b> .....	<b>back page</b>
Secondary Oven .....	31		

# Safety Definitions

<b>▲ WARNING</b>
This indicates that death or serious injuries may occur as a result of non-observance of this warning.

<b>▲ CAUTION</b>
This indicates that minor or moderate injuries may occur as a result of non-observance of this warning.

**NOTICE:** This indicates that damage to the appliance or property may occur as a result of non-compliance with this advisory.

**Note:** This alerts you to important information and/or tips.

This THERMADOR® appliance is made by  
 BSH Home Appliances Corporation  
 1901 Main Street, Suite 600  
 Irvine, CA 92614

**Questions?**  
 1-800-735-4328  
[www.thermador.com](http://www.thermador.com)

**We look forward to hearing from you!**

# Safety



## IMPORTANT SAFETY INSTRUCTIONS READ AND SAVE THESE INSTRUCTIONS

PLEASE READ CAREFULLY

### WARNING

When properly cared for, your new appliance has been designed to be safe and reliable. Read all instructions carefully before use. These precautions will reduce the risk of burns, electric shock, fire, and injury to persons. When using kitchen appliances, basic safety precautions must be followed, including these in the following pages.

### WARNING

If the information in this manual is not followed exactly, a fire or explosion may result causing property damage, personal injury or death.

- **DO NOT** store or use gasoline or other flammable vapors and liquids in the vicinity of this or any other appliance.
- **WHAT TO DO IF YOU SMELL GAS**
  - **DO NOT** try to light any appliance.
  - **DO NOT** touch any electrical switch.
  - **DO NOT** use any phone in your building.
  - Immediately call your gas supplier from a neighbor's phone. Follow the gas supplier's instructions.
  - If you cannot reach your gas supplier, call the fire department.
- Installation and service must be performed by a qualified installer, service agency or the gas supplier.

### WARNING



A child or adult can tip the range over and be killed. Verify that the anti-tip bracket is securely installed. Ensure the anti-tip bracket is engaged when the range is moved.

**DO NOT** operate the range without the anti-tip bracket in place. Failure to follow the instructions in this manual can result in death or serious burns to children and adults. Check for proper installation and use of anti-tip bracket. Carefully tip range forward pulling from the back to ensure that the anti-tip bracket engages and prevents tip-over. Range should not move more than 1" (2.5 cm).

## Gas and Electrical Requirements and Grounding Instructions

### Gas Type Verification

Verify the type of gas supplied to the location. Ensure that the appliance is connected to the type of gas for which it is certified. Make certain your range and gas type are the same. Refer to the product rating label (see section *Before Calling for Service*).

### CAUTION

When connecting the unit to propane gas, make certain the propane gas tank is equipped with its own high-pressure regulator in addition to the pressure regulator supplied with the range. **The maximum gas pressure to this appliance must not exceed 14.0" water column (34.9 mb) from the propane gas tank to the pressure regulator.**

### IMPORTANT:

Except for PRD305PH, PRG305PH, and PRL305PH models, when installing against a combustible surface, a Low Backguard is required. A THERMADOR™ Low Backguard must be purchased separately. Before using the range, ensure that it is equipped with a proper back guard. Refer to the *Installation Manual* accompanying this appliance for more information.

When using the Flush Island Trim, THERMADOR recommends a minimum 12" (305 mm) rear clearance to a combustible surface. Clearances from non-combustible materials are not part of the ANSI Z21.1 scope and are not certified by CSA. Clearances of less than 12" (305 mm) must be approved by the local codes and/or by the local authority having jurisdiction.

### WARNING

To avoid possible burn or fire hazard, a back guard designed specifically for this range must be installed whenever the range is used. Refer to the *Installation Manual* accompanying this appliance for more information.



# IMPORTANT SAFETY INSTRUCTIONS

## READ AND SAVE THESE INSTRUCTIONS

### Electrical Requirements

#### WARNING

**ALWAYS** disconnect the electrical plug from the wall receptacle before servicing this unit.

#### CAUTION

For personal safety, this appliance must be connected to a properly grounded and polarized electrical power supply.

#### WARNING

##### IN CASE OF AN ELECTRICAL FAILURE

If for any reason a gas control knob is turned ON and there is no electrical power to operate the electronic igniters on the range's cooktop STAR<sup>®</sup> burners, **turn OFF the gas control knob and wait 5 minutes** for the gas to dissipate before lighting the STAR burner manually.

To light the STAR burners manually, carefully hold a lighted match to the STAR burner ports and turn the gas control knob to HI.

During a power failure, you can use the standard cooktop STAR burners, but each must be lit with a match.

**DO NOT** attempt to light the XLO STAR burners manually. These STAR burners are equipped with the ExtraLow<sup>®</sup> feature and cannot be lit manually.

See the Installation Manual for electrical requirements and grounding instructions.

It is recommended that a dedicated circuit servicing this appliance be provided. See the *Installation Manual* for electrical requirements and grounding instructions.

The use of gas cooking appliances results in the production of heat and moisture.

It is the personal responsibility and obligation of you, the user, to have this appliance connected to the electrical power supply by a qualified electrician, in accordance with the National Electrical Code and/or applicable local codes and ordinances.

### TESTED IN ACCORDANCE WITH:

- ANSI Z21.1, Household Cooking Appliances
- CAN 1-1.1-M81, Domestic Gas Ranges
- UL 858, Household Electric Ranges
- CSA C22.2 No. 61, Household Cooking Ranges

Check your local building codes for the proper method of installation. In the absence of local codes, this unit should be installed in accordance with the National Fuel Gas Code No. Z223.1 current issue and the National Electrical Code ANSI/NFPA No. 70 current issue or the Can - B149 Installation Codes for Gas Burning Appliances and C22.1 Canadian Electrical Code Part 1.

It is the responsibility of the owner and the installer to determine if additional requirements and/or standards apply to specific installations.

### Basic Safety Precautions

When properly cared for, your new range has been designed to be a safe, reliable appliance. However, use extreme care when using this restaurant caliber range as this type of appliance provides intense heat. When using kitchen appliances, basic safety precautions must be followed, including the following:

Read this Use and Care Guide carefully before using your new range, to reduce the risk of fire, electrical shock, or injury to persons.

Ensure proper installation and servicing. Follow the installation instructions provided with this product. Have the range installed and electrically grounded by a qualified technician.

Have the installer show you where the electric circuit breaker and the gas supply shut off valve are located so you know how and where to turn off the gas and electricity to the range.

In the event a STAR<sup>®</sup> burner goes out and gas escapes, open a window or a door. **DO NOT** attempt to use the range until the gas has had time to dissipate. Wait at least 5 minutes before using the range.



# IMPORTANT SAFETY INSTRUCTIONS

## READ AND SAVE THESE INSTRUCTIONS

**DO NOT** repair or replace any part of the appliance unless specifically recommended in this manual. All other servicing should be referred to a qualified technician.

If the range is near a window, be certain the curtains do not blow over or near the range burners; they could catch on fire.

### WARNING

#### TO REDUCE THE RISK OF A GREASE FIRE:

- Never leave surface units unattended at high settings. Boilovers cause smoking and greasy spillovers that may ignite. Heat oils slowly on low or medium settings.
- Always turn hood ON when cooking at high heat or when flambéing food (i.e. Crepes Suzette, Cherries Jubilee, Peppercorn Beef Flambé).
- Clean hood filters frequently. Grease should not be allowed to accumulate on fan or filter.
- Use proper pan size. Always use cookware appropriate for the size of the cooktop burner.

### WARNING

This appliance should not be installed with a ventilation system that directs air in a downward direction toward the range. This type of ventilation system may cause ignition and combustion problems with the appliance resulting in personal injury, property damage, or unintended operation. Ventilating systems that direct the air upwards do not have any restriction.

**ALWAYS** have a working smoke detector near the kitchen. In the event that personal clothing or hair catches fire, drop and roll immediately to extinguish flames.

Smother flames from food fires, other than grease fires, with baking soda. Never use water on cooking fires.

Whenever possible, do not operate the ventilation system during a cooktop fire. However, **DO NOT** reach through fire to turn it off.

**NEVER** let clothing, potholders, or other flammable materials come in contact with or too close to any element, top burner or burner grate until it has cooled. Fabric may ignite and result in personal injury.

Have an appropriate fire extinguisher available, nearby, highly visible and easily accessible near the cooking appliance.

## Child Safety

When children become old enough to use the appliance, it is the responsibility of the parents or legal guardians to ensure that they are instructed in safe operation of the appliance by qualified persons.

### WARNING

**DO NOT** store items of interest to children above or at the back of the range. If children should climb onto the appliance to reach these items, they could be seriously injured.

**DO NOT** allow anyone to climb, stand, lean, sit, or hang on any part of an appliance, especially a door. This can damage the appliance, and the unit may tip over, potentially causing severe injury.

**DO NOT** allow children to use this appliance unless closely supervised by an adult.

Children and pets should not be left alone or unattended in the area where the appliance is in use. They should never be allowed to play in its vicinity, whether or not the appliance is in use.

**NEVER** use any part of the range or ovens for storage. Flammable materials can catch fire and plastic items may melt or ignite.

**DO NOT** hang articles from any part of the appliance or place anything against the ovens. Some fabrics are quite flammable and may catch on fire.

Use only dry potholders: moist or damp potholders on hot surfaces may cause burns from steam. **DO NOT** use a towel or other bulky cloth in place of potholders. **DO NOT** let potholders touch hot elements, hot burners, or burner grates.

### WARNING

#### State of California Proposition 65 Warnings:

This product contains chemicals known to the State of California to cause cancer, birth defects or other reproductive harm.



# IMPORTANT SAFETY INSTRUCTIONS

## READ AND SAVE THESE INSTRUCTIONS

For personal safety, wear proper apparel. Loose fitting garments or hanging sleeves should never be worn while using this appliance. Some synthetic fabrics are highly flammable and should not be worn while cooking.

**DO NOT** use aluminum foil to line any part of the oven or range. Use of a foil liner could result in a shock or fire hazard, or the obstruction of the flow of combustion and ventilation air. Foil is an excellent heat insulator and heat will be trapped beneath it. This will upset the cooking performance and can damage the finish of the oven or the range.

When using the cooktop: **DO NOT TOUCH THE BURNER GRATES OR THE IMMEDIATE SURROUNDING AREA.** Areas adjacent to the burners may become hot enough to cause burns.

### WARNING

**TO REDUCE THE RISK OF INJURY TO PERSONS, IN THE EVENT OF A RANGE TOP GREASE FIRE, OBSERVE THE FOLLOWING:**

- Smother flames with a close-fitting lid, cookie sheet, or other metal tray, then turn off the gas burner or the electric element. Be careful to prevent burns. If the flames do not go out immediately, evacuate and call the fire department.
- Never pick up a flaming pan — You may be burned.
- **DO NOT USE WATER**, including wet dish cloths or towels — a violent steam explosion will result.
- Use an extinguisher only if:
  - You know you have a class ABC extinguisher and you already know how to operate it.
  - The fire is small and contained in the area where it started.
  - The fire department is being called.
  - You can fight the fire with your back to an exit.

Never leave the range unattended when using high flame settings. Boil overs cause smoking and greasy spillovers that may ignite. Also, if the burner flames and igniter are smothered with spillage, unburned gas will escape into the room. See *page 1* regarding gas leaks.

**DO NOT** heat or warm unopened food containers. Build-up of pressure may cause the container to burst and cause injury.

Only certain types of glass, heatproof glass-ceramic, ceramic, earthenware, or other glazed cookware are suitable for cooking on the range burners. This type of cookware may break with sudden temperature changes. Use only on low or medium heat settings according to the utensil manufacturer's directions.

### WARNING

#### RANGE TIPPING HAZARD:

- All ranges can tip and injury can result. To prevent accidental tipping of the range, attach it to the floor, wall, or cabinet by installing the Anti-Tip Device supplied.
- A risk of tip-over may exist if the appliance is not installed in accordance with these instructions.
- If the range is pulled away from the wall for cleaning, service, or any other reason, ensure that the Anti-Tip Device is properly reengaged when the range is pushed back against the wall. In the event of abnormal usage (such as a person standing, sitting, or leaning on an open door), failure to take this precaution can result in tipping of the range. Personal injury might result from spilled hot liquids or from the range itself.

### WARNING

The appliance is for cooking. Based on safety considerations, never use the oven or cooktop to warm or heat a room. Also, such use can damage the cooktop or oven parts.

### WARNING

**NEVER** cover any slots, holes, or passages in the oven bottom or cover an entire rack with materials such as aluminum foil. Doing so blocks air flow through the oven. Aluminum foil linings may also trap heat, causing a fire hazard.

### WARNING

**NEVER** use this appliance as a space heater to heat or warm the room. Doing so may result in carbon monoxide poisoning and overheating of the oven.





# IMPORTANT SAFETY INSTRUCTIONS

## READ AND SAVE THESE INSTRUCTIONS

During cooking, set the burner control so that the flame heats only the bottom of the pan and does not extend beyond the bottom of the pan.

### WARNING

Avoid using high flame setting with a pan larger than the grate or with one that spans more than one burner, such as a griddle, for prolonged periods of time. This can result in poor combustion that generates harmful by-products.

Use caution to ensure that drafts like those from forced air vents or fans do not blow flammable material toward the flames or push the flames so that they extend beyond the edges of the pot.

Always use pots and pans that have flat bottoms large enough to cover the burner. The use of undersized pots and pans could expose a portion of the flame and may result in ignition of clothing.

To minimize the risk of burns, ignition of flammable materials and unintentional spillage, position handles of pots and pans inward so they do not extend over adjacent work areas, cooking areas, or the edge of the range's cooktop.

**DO NOT** use pots or pans on the grill plate accessory. Bakeware, such as large casserole pans, cookie sheets, etc., should never be used on the cooktop.

**DO NOT** use flammable cleaners to clean the range.

Hold the handle of the pan to prevent movement when stirring or turning food.

Remove the optional cutting board or griddle cover accessory, which is stored on top of the griddle plate, before operating the griddle or any adjacent burners.

**GREASE IS FLAMMABLE.** Let hot grease cool before attempting to handle it. Avoid letting grease deposits collect. Clean after each use.

For proper lighting and performance of the burners, keep the igniter ports clean. It is necessary to clean the ports when there is a boil over or when the burner does not light even though the electronic igniters activate.

Clean the range with caution. Avoid steam burns; **DO NOT** use a wet sponge or cloth to clean the range while it is hot. Some cleaners produce noxious fumes if applied to a hot surface. Follow directions provided by the cleaner manufacturer.

### WARNING

After a spill or boil over, turn off the burner and using caution due to possible hot surfaces, clean around the burner and burner ports. After cleaning, check for proper operation.

Ensure all cooktop controls are turned off and the cooktop is cool before using any type of aerosol cleaner on or around the cooktop. The chemical that produces the spraying action could, in the presence of heat, ignite or cause metal parts to corrode.

Place oven racks in desired position while oven is cool. If a rack must be moved while the oven is hot, do not let the potholders contact the broiler element.

When using the oven do not touch the broiler element, the interior surfaces of the oven or the exterior area immediately surrounding the door. Interior oven surfaces become hot enough to cause burns. The heat deflector, which deflects heat away from the cooktop and the trim on the top and sides of the oven door, will also be hot when the oven is in use.

Use care when opening the oven door; let hot air or steam escape before removing or replacing foods.

Before self-cleaning the oven (select models), remove the broiler pan, oven racks, and any other utensils, and excess spillage.

Please note that some pets or humans can be sensitive to the odors created during the self-cleaning process whether it is a manufacturing residue burn off or food, so it is recommended that those potentially affected be removed from the kitchen area during the self-clean process.

**DO NOT** clean, rub, damage, move or remove the door gasket. It is essential for a good seal during baking. If the gasket becomes worn or excessively soiled with food particles, replace gasket to assure a tight seal.



# IMPORTANT SAFETY INSTRUCTIONS

## READ AND SAVE THESE INSTRUCTIONS

Protect the self-cleaning feature. Clean only those parts indicated in this booklet. **DO NOT** use commercial oven cleaners or oven liner protective coatings of any kind in or around the self-cleaning oven(s).

For safety reasons and to avoid damage to the range, never sit, stand, or lean on the oven door.

Service should only be done by authorized technicians. Technicians must disconnect the power supply before servicing this unit.

Listen to be sure the cooling blower runs whenever the oven controls are set to BROIL or BAKE modes, after oven heats to 300°F (149°C) — see “Automatic operation of the cooling blowers”. If the fan does not operate, do not use the oven. Call an authorized service center for service.

To avoid a fire hazard, grease accumulation must be prevented by frequently cleaning the ventilation hood and filters.

**DO NOT** use the optional grill plate for cooking excessively fatty meats or products which promote flare-ups.

When cooking fatty or oily foods on burners, the grill, or the griddle, adjacent gas burners can ignite airborne fumes. Use caution to avoid burns.

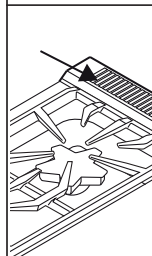
In case of fire or when intentionally “flaming” liquor or other spirits on the range’s cooktop, follow manufacturer’s instructions. Use caution when cooking foods with high alcohol content (e.g. rum, brandy, bourbon) in the oven. Alcohol evaporates at high temperatures. There is a risk of burning as the alcohol vapors may catch fire in the oven. Use only small quantities of alcohol in foods, and open the oven door carefully.

Remove all tape and packaging before using the appliance. Destroy the packaging after install. Never allow children to play with packaging material.

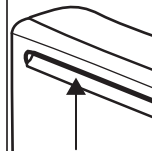
**DO NOT** store or use corrosive chemicals, vapors, flammables, or nonfood products in or near this appliance. It is specifically designed for use when heating or cooking food. The use of corrosive chemicals while heating or cleaning will damage the appliance and could result in injury.

**DO NOT** obstruct the flow of combustion or ventilation air.

### WARNING



**DO NOT block** or obstruct the flow of air through the ventilation openings. The oven vent is located at the back of the appliance. The vents need to be unobstructed and open to provide necessary airflow that is important for proper oven performance.



**DO NOT touch** oven vent area while the appliance is on and for several minutes after the appliance is off. Some parts of the vent and surrounding areas become hot enough to cause burns. Allow appliance sufficient time to cool before touching or cleaning vent areas.

**DO NOT position** plastic or other heat-sensitive items on or near the oven vent. These items could melt or ignite.

### IMPORTANT:

There is a possibility to discolor the back wall under certain cooking conditions.

### WARNING

To avoid risk of burn, turn the hood ON when cooking at high heat or when flambéing food.

**DO NOT** use all heating elements or gas burners simultaneously at high settings for a prolonged period. (max. 15 minutes).

If the hood is located over a gas cooktop, operate the hood at maximum setting whenever three or more gas burners are being used.

**DO NOT** operate the ventilation system during a cooktop fire.

# Description

## Parts Identification

### Control Panel Identification

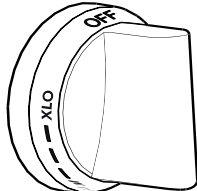
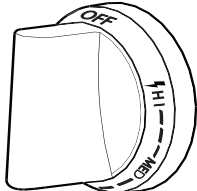
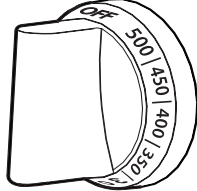
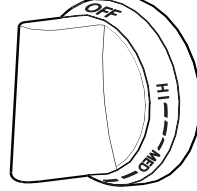
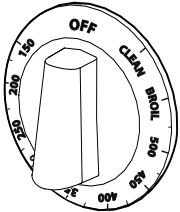
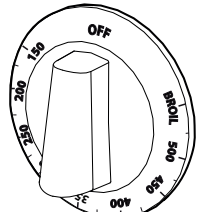
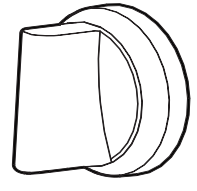
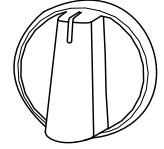

<p><b>ExtraLow® Knob</b></p> 	<p><b>Standard Knob</b></p> 	<p><b>Griddle Knob</b></p> 	<p><b>Grill Knob</b></p> 	<p><b>Dual Fuel Oven Temp Selector</b></p> 
<p><b>Gas Oven Temp Selector</b></p> 	<p><b>36" Mode Knob</b></p> 	<p><b>30" &amp; 48" Mode Knob</b></p> 	<p><b>Oven Light Switch</b></p> 	

Table 1: Knob Identification

### Range Identification

**Model shown is 48" with Griddle and Grill Options (models will vary)**

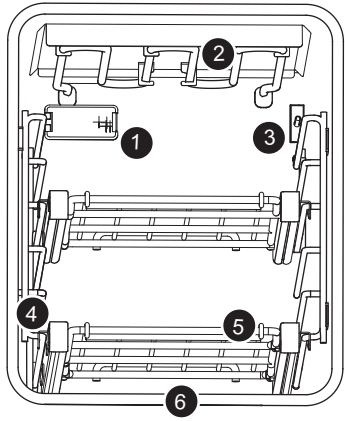
1. Flush Island Trim (shown), Low Back (sold separately), or Zero Clearance Trim (available on 305" models only)
2. Burner Grates & Burners
3. Electric Grill (option)
4. Electric Griddle (option)
5. Control Panel
6. Secondary Oven (48" models only)
7. Main Oven
8. Kick Panel
9. Range Feet

**⚠ WARNING:**

To provide proper ventilation of the range, **DO NOT** remove range feet.

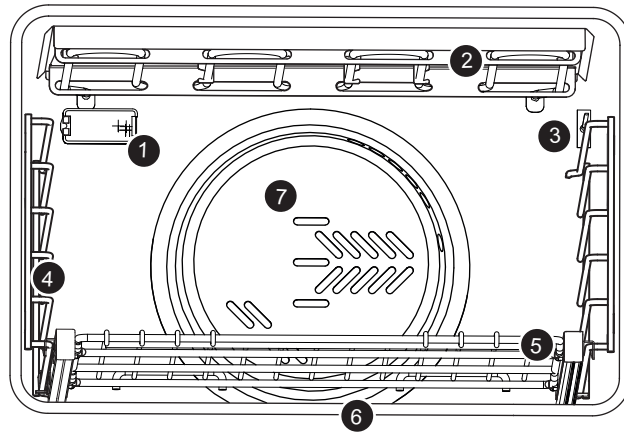
Figure 1: 48" Dual Fuel Range Identification

## Dual Fuel Oven Interior Identification



### Electric Secondary Oven Interior (48" models only)

1. Oven Interior Light
2. Broil Element
3. Oven Thermostat
4. Rack Guides
5. Oven Racks (2 included)
6. Bake Element (hidden)

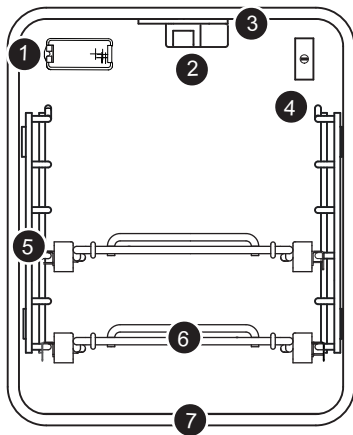


### Electric Main Oven Interior

1. Oven Interior Light
2. Broil Element
3. Oven Thermostat
4. Rack Guides
5. Oven Racks (3 included, 1 shown)
6. Bake Element (hidden)
7. Convection Fan Cover

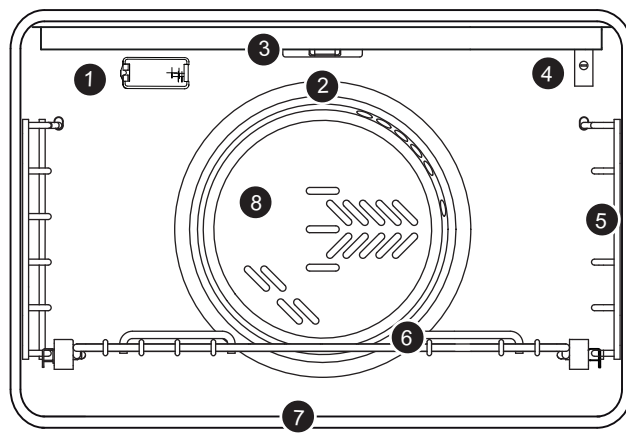
Figure 2: Dual Fuel Main Oven Interior Identification

## Gas Oven Interior Identification



### Gas Secondary Oven Interior (48" models only)

1. Oven Interior Light
2. Broil Ignitor
3. Infrared Broil Burner
4. Oven Thermostat
5. Rack Guides
6. Oven Racks (2 included)
7. Bake Burner (hidden)



### Gas Main Oven Interior

1. Oven Interior Light
2. Broil Ignitor
3. Infrared Broil Burner
4. Oven Thermostat
5. Rack Guides
6. Oven Racks (3 included)
7. Bake Burner (hidden)
8. Convection Fan Cover

Figure 3: Gas Main Oven Interior Identification

# Before You Begin

## Getting Started

### Data Rating Label

Record the Model and Serial number on *page 58* (see “Data Rating Label”). The model and serial number must be provided when calling Customer Support for assistance. Enter this information on the Product Registration Form included with this product then mail it to the indicated address.

### Oven Racks

#### ⚠ CAUTION

To help prevent burns, never remove or reposition the oven racks while the oven is ON or while the oven is cooling.

#### ⚠ WARNING

Aluminum foil should **NEVER** be used to cover the oven racks or to line the oven. It can damage the oven and cause a fire hazard if heat is trapped under it.

#### Oven Rack Positions

The correct rack position depends on the recipe and the cooking mode. **The rack positions are numbered from the bottom of the oven, like an elevator.** Rack position 3 is the most frequently used position. Place rack(s) in the proper position before turning on the oven.

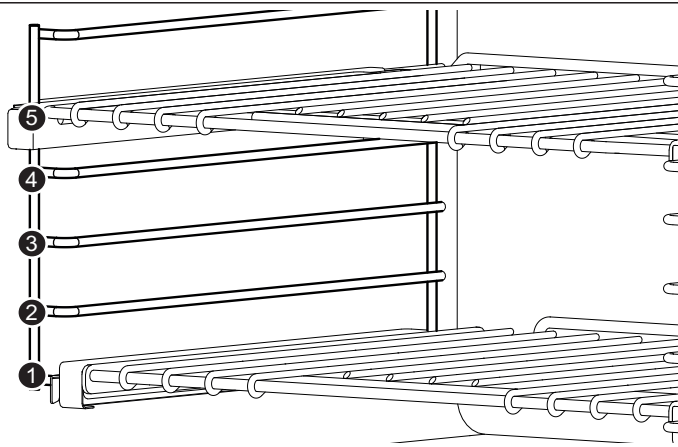
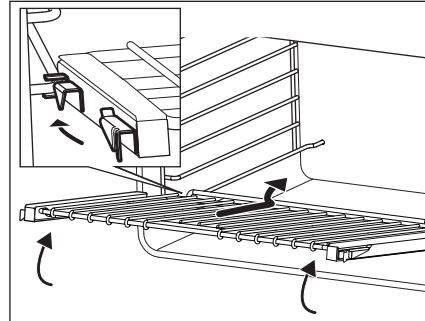


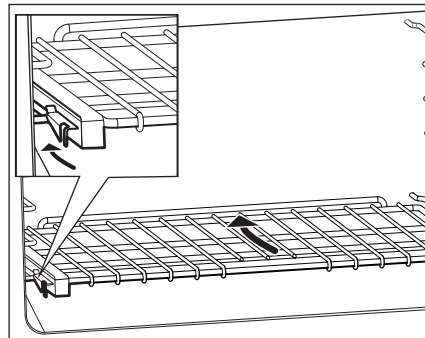
Figure 4: Oven Rack Positions

### Placing Full Access® Racks in the Oven

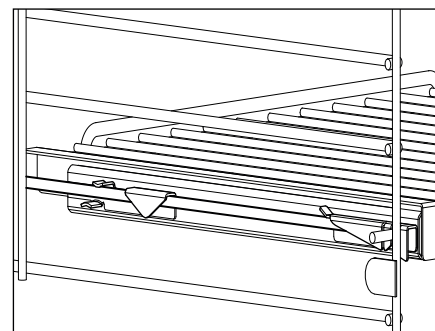
1. Hold the rack on a slight angle. Place the safety hooks under the front of the rack guides.



2. Push the rack into the oven, lifting the rack stops over the front of the rack guides.
3. Hold the rack straight.
4. Push the rack in until it is even with the front hooks.



5. Lift the rack up.
6. Push the rack in completely.
7. Engage the rack's front hooks on the rack guides.

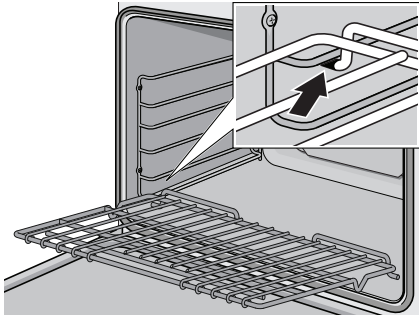


**IMPORTANT:** When placing the gliding rack in the oven, make sure the front supports on the rack guides rest in the large slots at the front corners of the rack. This is necessary to keep the rack in the correct position while fully inserted into the oven.

Figure 5: Inserting the Gliding Oven Rack

## Placing Flat Racks in the Oven

The rack is designed with a stop so it will stop before coming completely out of the oven and not tilt.



1. Grasp rack firmly on both sides.
2. Insert rack (see picture).
3. Tilt rack up to allow stop into rack guide.
4. Bring rack to a horizontal position and push the rest of the way in. Rack should be straight and flat, not crooked.

Figure 6: Inserting the Oven Rack

**IMPORTANT:** Always remove the oven racks before self-cleaning the oven. If the gliding racks remain in the oven during Self-Clean, lubricants in the glide mechanisms of each rack will be lost and the finish will discolor.

ALWAYS REMOVE BEFORE SELF CLEAN

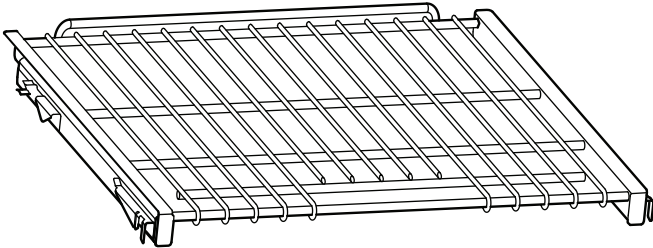


Figure 7: Full Access Oven Rack

ALWAYS REMOVE BEFORE SELF CLEAN

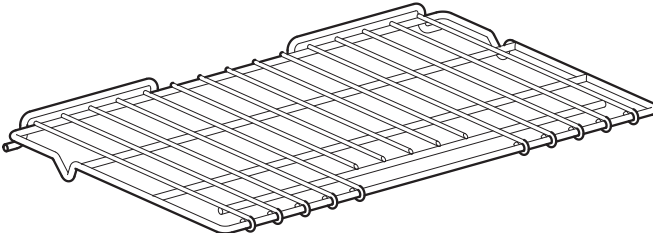


Figure 8: Flat Oven Rack

## Surface Burners

1. Ensure that the burner caps are correctly seated on the burner bases of the range's cooktop (see page 16).
2. Turn on each burner to check for proper flame color. See "Flame Description" on page 18 for details.

## Oven Operation

1. **Before baking or broiling**, the oven and broiler should be turned on to burn off the manufacturing oils using one of the two following methods:
  - Turn on kitchen ventilation (or if vent hood is a recirculation type open a window). Turn the oven on to 450°F (230°C) for 20 to 30 minutes; then turn the broiler to BROIL for the same length of time. Please note that it is normal for small amounts of smoke to be visible from the range during this initial breaking-in process.
  - Turn on kitchen ventilation (or if vent hood is a recirculation type open a window). Remove oven racks. Set oven SPEED CLEAN and let self-clean run (some models only. See "Self-Cleaning the Oven (Dual Fuel Models Only)" on page 37).

Please note that some pets or humans can be sensitive to the odors created during the self-cleaning process whether it is a manufacturing residue burn off or food, so it is recommended that those potentially affected be removed from the kitchen area during the self-clean process.

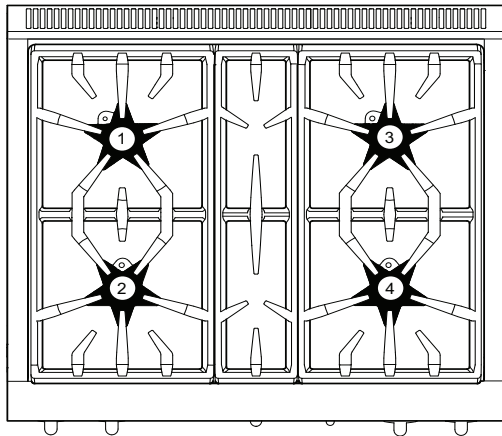
The range occasionally has a smell or smoke when first used. These smells or smoke comes from the burning off of manufacturing residues and is typical of any new oven regardless of manufacturer.

**Please read "Care and Maintenance" before cleaning the oven racks.**

**Note:** It is normal for the cooling process to push heated air out into the room when the oven is on.

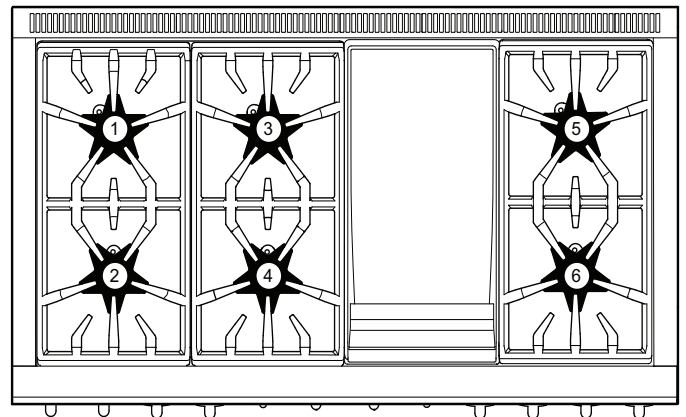
# Using The Cooktop

## Sealed STAR® Burners



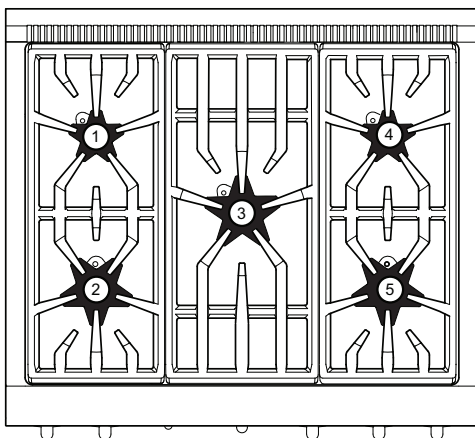
1. Left rear burner (Natural Gas 18000 BTUs, LP 15000 BTUs) — ExtraLow® Burner
2. Left front burner (Natural Gas 18000 BTUs, LP 15000 BTUs) — ExtraLow Burner
3. Right rear burner (Natural Gas 18000 BTUs, LP 15000 BTUs)
4. Right front burner (Natural Gas 18000 BTUs, LP 15000 BTUs)

Figure 9: Model PRD304 & PR(G/L)304



1. Left rear burner (Natural Gas 18000 BTUs, LP 15000 BTUs) — ExtraLow® burner
2. Left front burner (Natural Gas 18000 BTUs, LP 15000 BTUs) — ExtraLow burner
3. Center rear burner (Natural Gas 18000 BTUs, LP 15000 BTUs)
4. Center front burner (Natural Gas 18000 BTUs, LP 15000 BTUs)
5. Right rear burner (Natural Gas 18000 BTUs, LP 15000 BTUs)
6. Right front burner (Natural Gas 18000 BTUs, LP 15000 BTUs)

Figure 11: Model PRD364, PRD366, PRD486, PR(G/L)364, PR(G/L)366, PR(G/L)486



1. Left rear burner (Natural Gas 8000, LP 6000 BTUs) — ExtraLow® Burner
2. Left front burner (Natural Gas 10000, LP 9100 BTUs)
3. Center burner (Natural Gas 15000, LP 11000 BTUs)
4. Right rear burner (Natural Gas 8000, LP 6000 BTUs)
5. Right front burner (Natural Gas 18000 BTUs, LP 14000 BTUs) — ExtraLow® Burner

Figure 10: Model PRD305 & PR(G/L)305

## Burner Cap Placement

Each cap has a letter (B, D, or F) cast in the underside of the cap that corresponds to a letter (B, D, or F) cast in the burner base that is attached to the appliance.

- Place each burner cap on its correct burner base per its corresponding letter designation. See figure below.

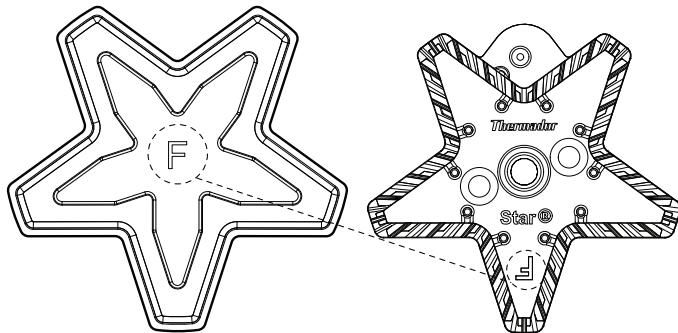


Figure 12: STAR Burner Components

- Place burner cap gently on top of base so that the prongs of the burner base fit snugly into the groove of the burner cap.

## Burners Caps

The burner caps must be properly placed on the burner bases for the cooktop to function properly. If the burner cap is not properly placed, one or more of the following problems may occur:

- Burner flames are too high.
- Flames shoot out of burners.
- Burners do not ignite.
- Burner flames light unevenly.
- Burner emits gas odor.

### ⚠ WARNING

To prevent flare-ups and avoid the creation of harmful by-products, do not use the cooktop without all burner caps and all burner grates properly positioned.

### ⚠ WARNING

To prevent burns, do not touch burner caps or grates while hot. Turn the cooktop off and allow the burners to cool.

## Checking Burner Cap Placement

- Check each burner to make sure there is no gap between the burner cap and burner base. See *Figure 13: Correct and Incorrect Burner Cap Placement* to see examples of correct and incorrect placements of the burner cap.
- You may gently try to move the burner caps from side to side to check if the caps are properly placed on the burner bases. When properly placed, each burner cap will rest flat on top of its burner base, and completely cover the star-shape of the burner base when viewed from the top as shown in *Figure 13*.

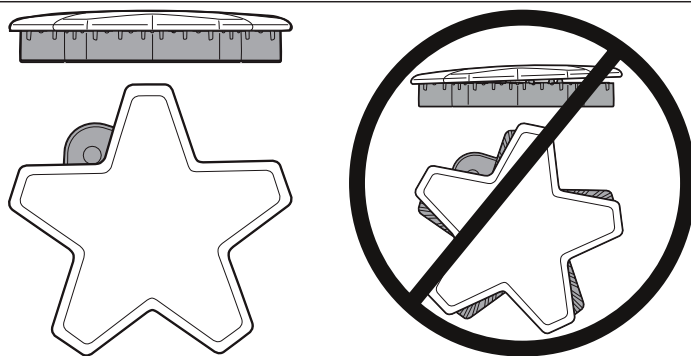


Figure 13: Correct and Incorrect Burner Cap Placement

## Burner Grate Placement

Ensure the burner grates are properly placed on the cooktop before using the surface burners. The grates are designed to rest inside the recess on the cooktop.

To install burner grates, place grates flat-side down and align into the cooktop recess. Grates should rest flush against each other and against the sides of the recess.

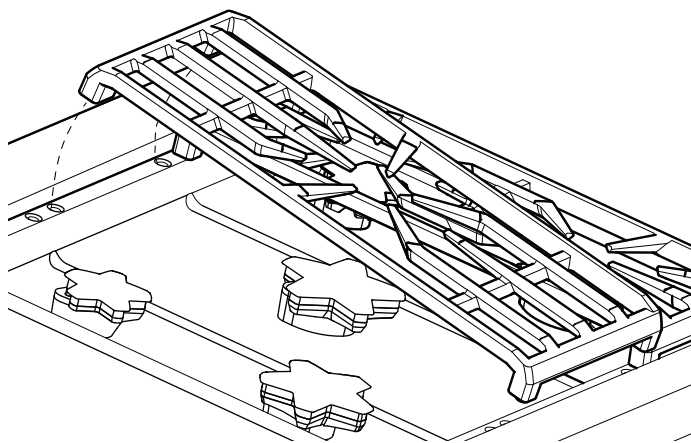


Figure 14: Burner Grate Placement



## Control Knobs

The control knobs for two sealed gas burners, one in front and one in the rear, are located directly in front of and below the pair of burners on the control panel. Each burner has its own control knob. The symbol above each control knob identifies the burner position on the cooktop.

## Operation of the Burners

1. Press in on the knob and turn it counter-clockwise to the **HI** setting on the knob.
  - The igniter for the selected burner clicks and sparks.
  - After burner ignition, the igniter stops clicking.
2. Rotate the knob to any flame setting between **HI** and **SIM**.
  - The blue signal light, between the burner knobs, will light when adjacent burners are lit. The light will remain on until the adjacent burners are turned off.

---

## ExtraLow® Burners

---

The controls for the ExtraLow burners have flame settings even lower than the standard **SIM** settings.

The drawing shows that the control knob has an additional range between the **SIM** and **XLO** settings. When the knob is set within this range, the flame cycles off and on. By varying the length of time the flame is off and on, the heat is reduced even further to cook delicate foods. For example, these very low settings are suitable for simmering and poaching, melting chocolate and butter, holding cooked foods at temperatures without scorching or burning, etc.

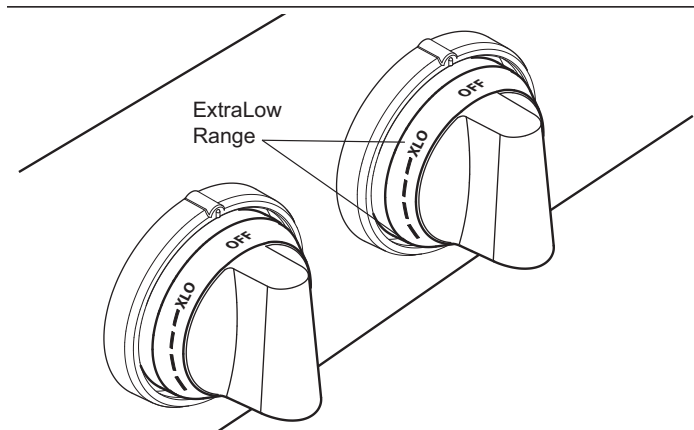


Figure 15: ExtraLow Burner Control Knob

## Operation of the ExtraLow Burners

- **XLO**, the very lowest setting, is achieved by cycling the flame **ON** for approximately 7 seconds and **OFF** for 53 seconds of each minute.
- When the knob is set just below the **SIM** setting, the flame will cycle **ON** for approximately 53 seconds and **OFF** for 7 seconds of each minute.
- To vary the amount of low heat to suit the food and quantity, the control can be set anywhere within the **SIM** and **XLO** range marked on the knob.
- The **XLO** knobs are disabled during self-clean (Dual Fuel models only). The knob functions will remain unavailable until after the oven unlocks.

## ExtraLow Techniques

- The type and quantity of food affects which setting to use.
- The pan selected affects the setting. Its size, type, material, and whether a lid is used, all affect the consistency of the cooking temperature.
- To maintain a low or simmer heat, bring food to a rolling boil. Stir well, then cover the pan and lower the heat to a setting just below **SIM**.
- Check periodically to see if the control knob should be turned to another setting.
- If a large pan is used, the simmer action may occur mainly in the center of the pan. To equalize the temperature throughout the food, stir the food around the outer edges of the pan into the food in the center.
- It is normal to stir food occasionally while simmering. This is especially important when simmering for several hours, such as for a homemade spaghetti sauce or beans.
- When lowering the flame setting, adjust it in small steps.
- If the setting is too low to hold a simmer, bring the food back to a boil before re-setting to a higher heat.
- It is normal not to see simmer bubbles immediately after the food has been stirred.
- There may be bubbling when the flame cycles **ON** and no bubbles when the flame is **OFF**. Even when the flame is **OFF**, there will be steam and a slight quiver on the liquid's surface.

## Automatic Re-Ignition

Each burner has its own electronic igniter that sparks when the burner is turned on. Each burner should light in 4 seconds or less. If a burner does not light, check to see that the cap is positioned correctly on the base.

If any one or more burners blow out, the electronic igniter automatically activates to re-light the flame. **Do not touch the burners when the igniters are active.**

### ⚠ CAUTION

**DO NOT** touch the STAR® burners when the igniters are sparking.

### IMPORTANT:

- For proper combustion do not use the cooktop without the burner grates in place.
- There is a slight sound associated with gas combustion and ignition. This is a normal condition.
- On cooktops using propane gas (LP), a slight “pop” sound may be heard at the burner ports a few seconds after the burner has been turned off.

## Power Failure

- In the event of a power failure, only the standard burners can be manually lit. It is necessary to light each one individually.
- If the cooktop is being used when the power failure occurs, turn **all** knobs to the **OFF** position.
- The standard burners can be lit by holding a match at the ports and turning the control knob to the **HI** position. Wait until the flame is burning all around the burner cap before adjusting the flame to the desired height.
- The ExtraLow® burners cannot be used during a power failure. **Be sure to turn them off.**
- If an ExtraLow burner is on when a power failure occurs, it cannot be turned back on until the knob is first turned off.
- The griddle cannot be used during a power failure.
- If you smell gas, refer to safety precautions listed on *page 5*.

### ⚠ WARNING

In the event of a power failure, turn all knobs to the **OFF** position. Only the Standard burners can be lit manually.

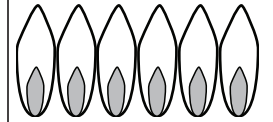
## Flame Height

- The correct flame height depends on 1) size and material of pan being used; 2) food being cooked; and 3) amount of liquid in the pan.
- Never extend the flame beyond the base of the pan.
- Use a low or medium flame for pan materials that conduct the heat slowly, such as porcelain coated steel or glass-ceramic.

## Flame Description

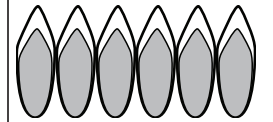
### Yellow Flames:

Further Adjustment is required.



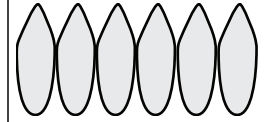
### Yellow Tips on Outer Cones:

Normal for LP Gas



### Soft Blue Flames:

Normal for Natural Gas



If the flame is completely or mostly yellow, verify that the regulator is set for the correct fuel. After adjustment, retest.

Some orange-colored streaking is normal during the initial start-up. Allow unit to operate 4-5 minutes and re-evaluate before making adjustments.

**Figure 16: Flame Characteristics**

- The burner flame color should be blue with no yellow on the tips. It is not uncommon to see orange in the flame color; this indicates the burning of airborne impurities in the gas and will disappear with use.
- With propane (LP) gas, slight yellow tips on the primary cone are normal.
- The flame should burn completely around the burner cap. If it doesn't, check that the cap is positioned correctly on the base and that the ports are not blocked.
- The flame should be stable with no excessive noise or fluttering.

---

# Cookware Recommendations

---

## ⚠ WARNING

To avoid risk of serious injury, damage to appliance or cookware, please observe the following:

- Bakeware, such as large casserole pans, cookie sheets, etc. should never be used on the cooktop.
- Placement of large stock pots should be staggered when used on the cooktop.

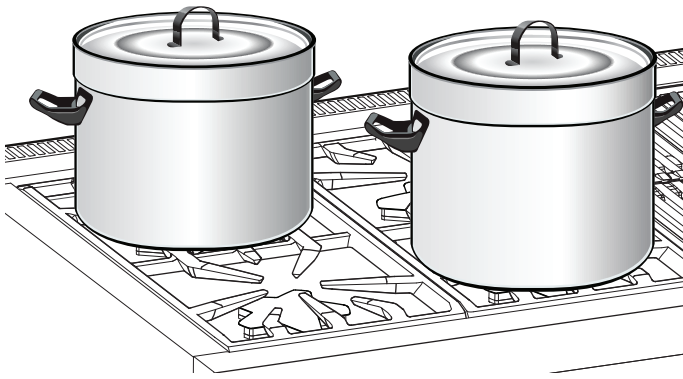


Figure 17: Stagger Pots

- Select the base diameter to match the diameter of the flame. The diameter of the flame should be the same size as the pan base or slightly smaller. Oversize or under size pans sacrifice cooking performance. A 5½" (140 mm) base size is generally the smallest recommended.
- Avoid using high flame setting with a pan larger than the grate or with one that spans more than one burner, such as a griddle, for prolonged periods of time. This can result in poor combustion that generates harmful by-products.
- Balance is important for stability and even cooking. The handle must not be heavier than the pan and tilt it unevenly. A pan must sit level on the grate without rocking or wobbling.



Figure 18: Balanced Pan

- Food packaged in aluminum foil should not be placed directly on the burner grate. Aluminum foil can melt during cooking.
- Do not let plastic, paper or cloth come in contact with a hot burner grate. They may melt or catch fire.
- Never let a pan boil dry. This can damage your pan and the cooking surface.
- Professional quality pans with metal handles are recommended because plastic handles can melt or blister if the flame extends up the side of the pan. Professional quality pans are found at restaurant supply stores and gourmet specialty shops. All cookware should have these characteristics: good heat conductivity, good balance, correctly sized base diameter, a heavy, flat base, and a proper fitting lid.
- For best cooking results, the flame should be contained under the bottom of the pan.
- Aluminum and copper are pan materials that conduct the heat quickly and evenly. These metals are sometimes attached to the base or in the core between stainless steel.
- A heavy, flat base is more apt to remain flat when heated. Pan bases that are warped, dented, ridged or too lightweight will heat unevenly. Heat and cool pans gradually to avoid sudden temperature changes which tend to distort cookware. **DO NOT** add cold water to a hot pan.

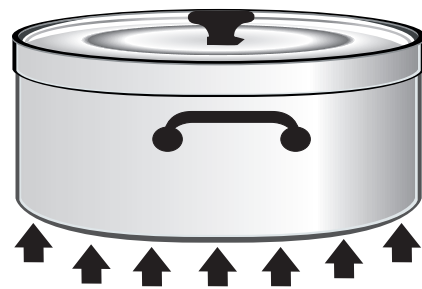


Figure 19: Flat Base Pan

- A properly fitting lid will shorten cooking time and make it possible to use lower heat settings.

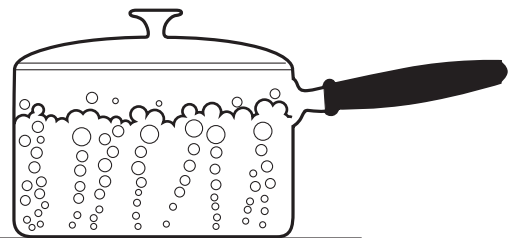


Figure 20: Covered Pan

---

## Specialty Cookware

---

### Woks

- Either flat-based or round-bottom woks with the accessory ring can be used on all models. Round bottom woks must be used with a support ring. The Wok pan and the porcelain-coated cast iron wok support ring must be purchased separately.

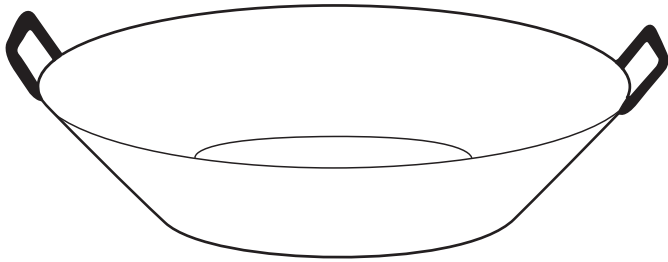


Figure 21: Flat-Bottom Wok Pan

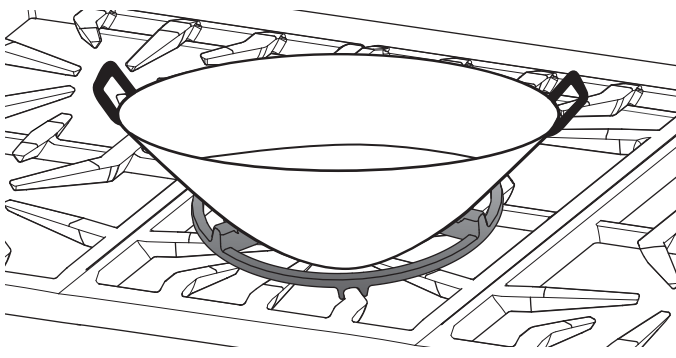


Figure 22: Round-Bottom Wok in Support Ring

### Canners and Stock Pots

- Select one with a base diameter that extends no more than 2" (51 mm) beyond the grate.

### Standard Size Water Bath Canner

- 21 to 22 quarts (19.95 to 20.9 liters), with an 11" to 12" base (279–305 mm) and a 9" to 11" depth (229–279 mm).

### Standard Size Pressure Canner

- 8 to 22 quarts (7.6 to 20.9 liters), with an 8" to 11" base (203–279 mm) and a 6½" to 12" depth (165–305 mm).

### Canning Tips

- A flat base pan is preferred to one with a concave, convex or rippled base.
- When using two canners at the same time, use staggered burners. Do not block air to the burners. A flame needs the right amount of air for complete combustion.
- Use a cover on a canner when bringing the contents to a boil.
- Once the contents have reached a boil on HI, use the lowest flame possible to maintain the boil or pressure.
- Canning produces a large amount of steam. Take precautions to prevent burns.

### Suggestions For Using the Surface Burner Cooking Recommendations

- Use the chart beginning on *page 21* as a guide. The settings you use will vary depending on the pans selected and the starting temperature of the food.
- On the chart, the "Finish Setting" has been separated for the standard and ExtraLow burners. There may or may not be a change between the two burner settings.
- The ExtraLow® setting can be either a cooking or a holding setting.
- Raise or lower the flame setting gradually. Allow time for the pan and the food to adjust to the new setting.

# Surface Burner Cooking Recommendations

FOOD	START SETTING	FINISH SETTING STANDARD BURNERS	FINISH SETTING XLO BURNERS
<b>BEVERAGES</b> Cocoa	<b>MED</b> – heat milk, cover	<b>SIM</b> – finish heating	<b>XLO</b> – keep warm, cover*
<b>BREADS</b> French Toast, Pancakes, Grilled Sandwiches	<b>MED</b> – preheat skillet	<b>SIM</b> to <b>MED</b> – cook	Same as for Standard Burners
<b>BUTTER</b> Melting	<b>SIM</b> – to start melting		Allow 5 – 10 minutes to melt
<b>CEREALS</b> Cornmeal, Grits, Oatmeal	<b>HI</b> – cover, bring water to a boil, add cereal	<b>SIM</b> to <b>MED</b> – finish cooking according to package directions	Same as for Standard Burners <b>XLO</b> – to hold, cover*
<b>CHOCOLATE</b> Melting	<b>XLO</b> – may be stirred to hasten melting		<b>XLO</b> – allow 10 – 15 minutes to melt <b>XLO</b> – to hold*
<b>DESSERTS</b> Candy	<b>SIM</b> to <b>MED</b> – cook following recipe	<b>SIM</b> to <b>MED</b>	Same as for Standard Burners
Pudding and Pie Filling Mix	<b>SIM</b> to <b>MED</b> <b>SIM</b> – cook according to package directions	<b>SIM</b>	Same as for Standard Burners
Pudding	<b>SIM</b> to <b>MED</b> <b>SIM</b> – bring milk to a boil	<b>SIM</b>	Same as for Standard Burners
<b>EGGS</b> Cooked in Shell	<b>MED HI</b> – cover eggs with water, add lid, bring to boil		<b>XLO</b> – cook 3 – 4 minutes for soft cooked; or 15 – 20 minutes for hard cooked
Fried, Scrambled	<b>SIM</b> to <b>MED</b> – melt butter, add eggs	<b>SIM</b> finish cooking	Same as for Standard Burners <b>XLO</b> – to hold for a short period*
Poached	<b>HI</b> – bring water to the boiling point, add eggs	<b>SIM</b> to <b>MED</b> – finish heating	Same as for Standard Burners
<b>MEAT, FISH, POULTRY</b> Bacon, Sausage Patties	<b>MED HI</b> – until meat starts to sizzle	<b>SIM</b> to <b>MED</b> – finish cooking	Same as for Standard Burners
Braising: Swiss Steak, Pot Roast, Stew Meat	<b>MED HI</b> – melt fat, then brown on <b>MED HI</b> , add liquid, cover		<b>XLO</b> – Simmer until tender
Quick Frying: Breakfast Steaks	<b>MED HI</b> – preheat skillet	<b>MED HI</b> – fry quickly	Same as for Standard Burners
Frying: Chicken	<b>MED HI</b> – heat oil, then brown on <b>MED</b>	<b>SIM</b> – cover, finish cooking	Same as for Standard Burners
Deep Frying: Shrimp	<b>MED HI</b> – heat oil	<b>MED</b> to <b>MED HI</b> – to maintain temperature	Same as for Standard Burners

\* These foods should be stirred occasionally.

FOOD	START SETTING	FINISH SETTING STANDARD BURNERS	FINISH SETTING XLO BURNERS
Pan Frying: Lamb Chops, Thin Steaks, Hamburgers, Link Sausage	<b>MED HI</b> – preheat skillet	<b>MED</b> – brown meat	Same as for Standard Burners <b>XLO</b> – to hold
Poaching: Chicken, whole or pieces, Fish	<b>MED HI</b> – Cover, bring liquids to a boil		To finish cooking
Simmering: Stewed Chicken, Corned Beef, Tongue, etc.	<b>HI</b> – cover, bring liquid to a boil		<b>XLO</b> – to simmer slowly <b>XLO</b> – to hold, cover
<b>PASTAS</b> Macaroni, Noodles, Spaghetti	<b>HI</b> – bring water to a boil, add pasta	<b>MED HI to HI</b> – to maintain a rolling boil	Same as for Standard Burners
<b>POPCORN</b> (use a heavy, flat bottom pan)	<b>HI</b> – cover, heat until kernels start to pop	<b>MED HI</b> – finish popping	Same as for Standard Burners
<b>PRESSURE COOKER</b> Meat	<b>MED HI to HI</b> – build up pressure	<b>SIM to MED</b> – maintain pressure	Same as for Standard Burners
Vegetables	<b>HI</b> – build up pressure	<b>SIM to MED</b> – maintain pressure	Same as for Standard Burners
<b>RICE</b>	<b>HI</b> – cover, bring water and rice to a boil	<b>SIM</b> – to maintain Low Boil. Cover and cook until water is absorbed	Same as for Standard Burners <b>XLO</b> – to hold, cover
<b>SAUCES</b> Tomato Base	<b>MED HI</b> – cook meat/vegetables, follow recipe	<b>SIM</b> – to maintain simmer	<b>XLO</b> – simmer to thicken sauce, uncovered
White, Cream, Bernaise,	<b>MED</b> – melt fat, follow recipe	<b>SIM</b> – finish cooking	<b>XLO</b> – to hold, cover*
Hollandaise	<b>XLO</b>		<b>XLO</b> – to hold, lowest setting for short period, stir frequently
<b>SOUPS, STOCK</b>	<b>HI</b> – cover, bring liquid to a boil	<b>SIM</b> to maintain simmer	Simmer <b>XLO</b> – to hold, cover*
<b>VEGETABLES</b> Fresh	<b>HI</b> – cover, bring water and vegetables to a boil	<b>SIM to MED</b> – cook 10 minutes, or until tender	Same as for Standard Burners <b>XLO</b> – to hold, cover
Frozen	<b>HI</b> – cover, bring water and vegetables to a boil	<b>SIM to MED</b> – cook according to package directions	Same as for Standard Burners
Deep Frying	<b>HI</b> – heat oil	<b>MED to MED HI</b> – maintain frying temperature	Same as for Standard Burners
In Pouch	<b>HI</b> – bring water and pouch to a boil	<b>SIM to MED</b> – cook according to package directions	Same as for Standard Burners
Saute	<b>HI</b> – heat oil or melt butter, add vegetables	<b>SIM to MED</b> – cook to desired doneness	Same as for Standard Burners
Stir Fry	<b>HI</b> – heat oil, add vegetables	<b>HI to MED HI</b> – finish cooking	Same as for Standard Burners

\* These foods should be stirred occasionally.

---

## Using the Electric Griddle (available on some models)

---

### Description

The built-in griddle is made of restaurant-quality aluminum with a non-stick coating. This produces a surface with even heat that is easy to clean.

A maple chopping block, stainless steel cover, and coated-aluminum grill plate are available as accessories and are purchased separately. The maple chopping block and stainless steel cover are sized to fit on top of the surface when the griddle is not being used. The coated-aluminum grill plate accessory is designed to replace the griddle plate. See the instructions that come with the accessory for details.

The maple chopping block and stainless steel cover must be removed before turning the griddle on.

#### ⚠ CAUTION

The griddle element is hot after use. Allow sufficient time for griddle components to cool before cleaning.

#### ⚠ WARNING

To avoid risk of injury, **NEVER** operate griddle without the griddle plate installed. **NEVER** use griddle in a manner that is not prescribed by the Use and Care Guide.

The griddle plate (or grill plate accessory) must always be in place when the griddle is turned on.

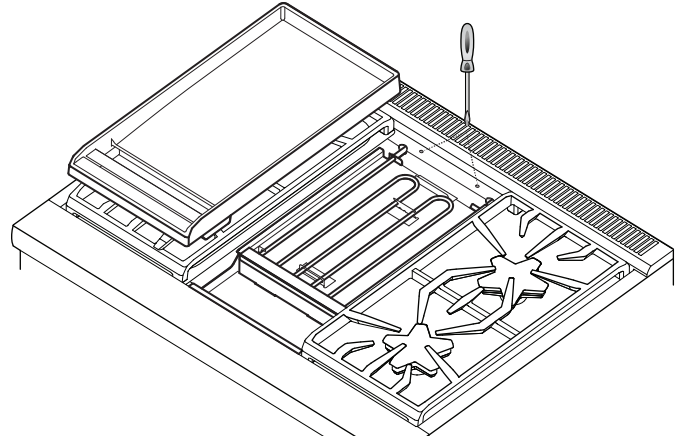
The griddle is electronically controlled with temperatures marked on the knob from 150 – 500°F (66 – 260°C).

There are no fixed settings on the knob.

### Preparing the Griddle

1. The griddle plate should be washed with warm soapy water then rinsed with clear water prior to use.
2. Check the griddle plate adjustment by pouring two tablespoons of water on the back of the griddle plate.
  - The water should slowly roll into the grease tray.

3. Move the griddle plate to the side (*Figure 23*).



**Figure 23: Griddle Plate Leveling Screws**

4. Adjust the two screws under the back of the plate. Start with one half turn counterclockwise of the screws (*Figure 23*).
5. Further adjustment should be made by one-quarter turn until water slowly flows into the grease tray.

The griddle may be used without any butter, margarine or oil. However, a very small amount may be used to flavor foods.

**DO NOT** use metal utensils on the griddle surface. Care should be taken that the surface is not gouged when utensils are used. **DO NOT** cut directly on the griddle plate.

**NOTICE:** Performance may vary if there is an excessive amount of airflow in the vicinity of the appliance. The excessive airflow could be from an air-conditioning register or ceiling fan blowing at the cooktop. This could create longer than normal heat-up time, or it could cause the temperature to be higher or lower than the knob setting.

**NOTE:** Having a properly installed ventilation hood is not considered a source of excessive airflow.

## Cooking on the Griddle

1. Turn the knob to the appropriate cooking temperature to preheat the griddle.
2. Preheat until the griddle light goes off.
3. Add butter, margarine, oil or shortening if desired.

**DO NOT** heat cookware on the griddle surface.

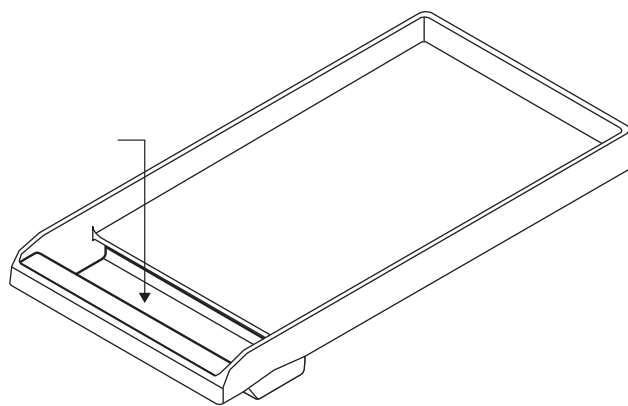
## Griddle Cooking Recommendations

FOOD *	SETTING
Eggs	325°F – 350°F
Bacon, Breakfast Sausage	450°F – 475°F
Toasted Sandwiches	375°F – 400°F
Boneless Chicken Breasts	425°F – 450°F
Boneless Pork Chops, 1" (25.4 mm) thick	425°F – 450°F
Steaks, 1" (25.4 mm) thick	450°F – 475°F
Ground Beef Patties, 6 ounces	450°F – 475°F
Ground Turkey Patties, 6 ounces	450°F – 475°F
Hot Dogs	350°F – 375°F
Ham Slices, ½" (12.7 mm) thick	350°F – 375°F
Pancakes, French Toast	400°F – 425°F
Potatoes, Hash Browns	400°F – 425°F

\* Level foods to a uniform thickness to ensure even cooking.

Use the lowest cooking temperature possible. Recipes may need to be modified as the non-stick coating browns and sears at lower temperatures.

## Griddle Grease Tray



**Figure 24: Grease Tray**

- Clean the tray after every use. When removing the tray, use care when tipping it so that the contents do not spill.
- The griddle plate and its grease tray are dishwasher safe.
- After cooling, pour the grease into a grease-resistant container for disposal.

## Care and Cleaning the Griddle Plate

- **NEVER** flood a hot griddle plate with cold water. This can damage the griddle plate.
- **DO NOT** clean the griddle plate in a self-cleaning oven.
- Care should be taken to avoid scratching or gouging the surface.
  - **DO NOT** cut food directly on the griddle plate.
  - **DO NOT** use metal utensils.
  - Use plastic or wood utensils to avoid scratching the non-stick surface.
- The griddle plate is dishwasher safe, however, hand washing the griddle plate is recommended.



---

## Instructions for Seasoning the Griddle Plate

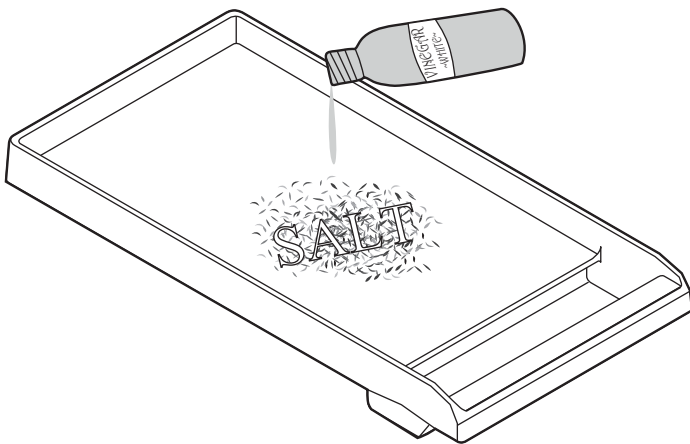
---

If the griddle plate seems to lose its non-stick abilities over time, the following instructions should help regain the griddle's non-stick properties. For optimal performance and long life of your griddle plate, follow these simple cleaning and seasoning instructions.

### Prepping the Griddle for Seasoning

The griddle plate must be clean and all residue removed before the griddle plate is seasoned.

1. Use a mixture of coarse salt and a small amount of white vinegar to buff off any residue from the griddle plate.



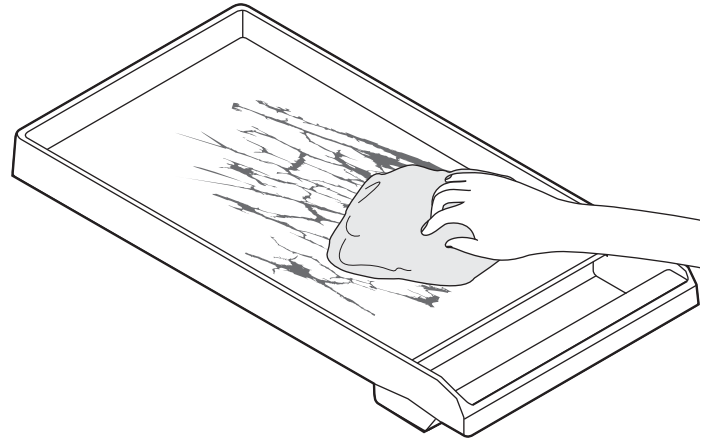
**Figure 25: Griddle Preparation**

2. Rinse well with clean water.
3. Dry the griddle plate thoroughly.

### Griddle Seasoning

Seasoning is a process by which a layer of animal fat or vegetable oil is applied and baked into the cookware. The seasoning layer provides a non-stick surface for cooking.

1. Use a paper towel to apply a thin, even coating of lard, Crisco<sup>®</sup>, or olive oil to the griddle surface.



**Figure 26: Griddle Seasoning**

2. Bake the griddle plate in a 350°F oven for 1 hour.
3. Remove the griddle plate from the oven and allow to cool to room temperature.
4. Apply a second layer of fat or oil and bake at 350°F for 1 hour.
5. Repeat process at least one additional time – making 3 coats of oil or fat.

### After Seasoning

1. After cooking on your seasoned griddle, allow to cool and wipe clean with a damp cloth. Allow to dry.
2. Add a thin coating of oil or fat before storing your griddle in a cool, dry place.
3. Repeating this process will season the griddle and maintain non-stick properties. Performance will improve over time with more seasoning.
4. To strip the griddle to re-season, a mixture of salt and vinegar should be used to remove any oil layers from the previous seasoning process.

---

## Using the Electric Grill (available on some models)

---

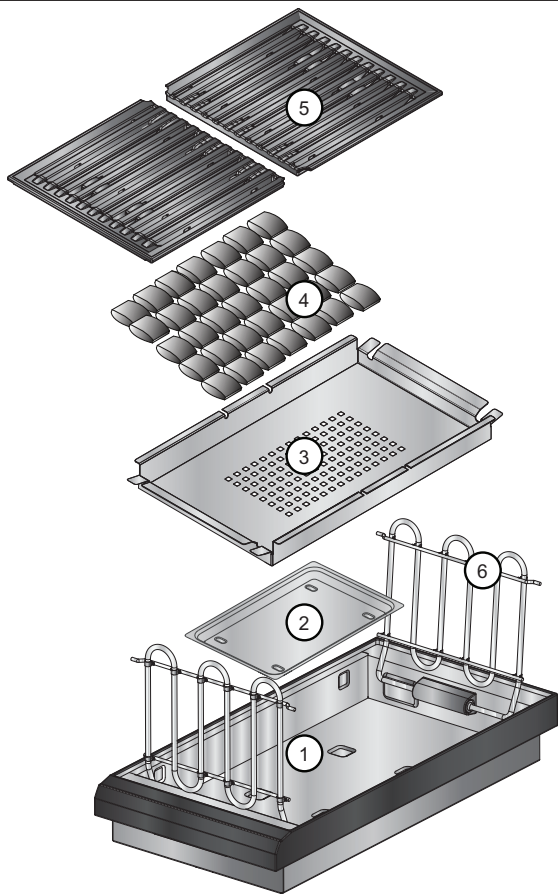
### Description

The built-in grill is made of restaurant-quality cast iron grates. This produces a surface with even heat that is easy to clean.

A non-stick cast iron griddle plate (*PAGRIDDLEN*) is available as an accessory and may be purchased separately. See the instructions that come with the griddle plate accessory for more details.

### Assembling the Grill

---



1. Grill Housing
2. Drip Tray
3. Briquette Basket
4. Ceramic Briquettes
5. Grill Grate (x2)
6. Heating Element (x2)

1. Rotate heating elements (6) up and remove the briquette basket (3) stored inside the grill housing (1).
2. Place the drip tray (2) in the bottom of the grill housing (1). (Drip tray is packaged in the large cardboard box that was on top of the range.) Align the embosses of the drip tray (2) with the depressions on the bottom of the grill housing (1).
3. Place the briquette basket (3) in the grill housing (1).
4. Arrange the ceramic briquettes (4) on the briquette basket (3), in a single layer, with each briquette touching the edges of the surrounding briquettes. The ceramic briquettes should not contact the heating elements.
5. Fold both grill heating elements (6) down. The grill heating elements must lie flat. Supports should rest inside of side notches.
6. Install the grill grates (5). Ensure grates are seated level inside the grill housing (1).
  - The grill grates should be washed with warm soapy water then rinsed with clear water prior to use.

### Operating the Grill

#### ▲ WARNING

- To avoid risk of injury, **NEVER** operate grill without the grates or griddle plate accessory installed.
- **NEVER** leave grill unattended while cooking.
- Observe caution with oils and fats. Overheated oils and fats can easily cause fires.
- **DO NOT** use wood chips, lava rocks, or charcoal briquettes. Only use recommended ceramic briquettes (*PABRICKBKN*).
- **DO NOT** use dishes, pans, pots, or other cookware on the grill.
- **Never use aluminum foil to cover the grates or to line the grill.** It can damage the grill and cause a fire hazard if heat is trapped under it.
- Check grease tray before each use. Too much grease in the tray may cause a fire hazard.
- If flames appear, grease should be cleaned from grates, grease tray, briquette basket and other surfaces.
- Grease build up encourages flame and smoke development while cooking.
- Ceramic briquettes must be replaced when they begin to turn black. This means that they are saturated with fat and may smoke heavily during operation or the fat may catch fire.

Figure 27: Grill Assembly

## IMPORTANT:

- If flames appear while grilling, turn off heat and remove the food. Use caution to avoid any potential injury while removing food.
- Often, such flames will extinguish themselves within a few minutes once grease drippings have burned up. **DO NOT** leave the grill unattended until all flames are extinguished. If desired, flames can be extinguished by generously shaking baking soda or salt over them to smother fire.
- If flames appear, ceramic briquettes should be replaced and grease should be cleaned from grates, grease tray, briquette basket, and other surfaces before using the grill again. Built up grease which is allowed to remain encourages flame and smoke development while cooking.
- Moist food should be dried, before placing on grill.
- Marinated food may cause more smoke to be produced!
- During grilling, dripping fat may flare up briefly.

### ⚠ WARNING

#### TO AVOID RISK OF BURNS:

- Use proper utensils with long handles that allow the chef plenty of clearance from the heat and potential flare ups.
- **DO NOT** wear loose clothing while cooking.
- Never leave grill unattended while cooking.
- After each use, remove grease buildup from the grill surfaces and the trays below the grill to avoid risk of fire. Ventilation hoods should also be cleaned periodically as needed and as recommended by the User Manual as well as surrounding surfaces.
- Keep a fire extinguisher nearby and accessible.

## Operation

1. Before turning on, make sure that there are ceramic briquettes in the appliance and both grill grates are correctly fitted. Turn on ventilation hood.

2. Press and turn the knob to the desired temperature setting.
  - The grill is electronically controlled with power settings LOW through HIGH. There are no fixed settings on the knobs.
  - The two grill heating elements can be regulated separately. This allows you to grill food with different temperature requirements at the same time, or you can use one area to grill and the other to keep warm.
3. During the initial use, heat the grill for about 10 minutes to eliminate manufacturing residues and smells.
4. For best results, allow the grill grates to preheat before placing food on them.

### ⚠ CAUTION

Clean the grill after each use. Allow the appliance to cool before cleaning.

## Grilling Tips

- The grill should be preheated a minimum of 10 minutes before cooking. Depending on browning preference and the types of food being prepared, as much as 15 minutes of pre-heat time may be required.
- Soak wooden skewers in water a minimum 20 minutes before placing on the grill.
- Prior to grilling, you can coat the food with heat-resistant oil (e.g. peanut oil) or marinate it. Make sure not to use too much oil/marinade, as otherwise it may catch fire and generate thick smoke.
- Lay the food directly on the grill grates. **DO NOT** use aluminum foil or grill trays.
- Cured meat, such as ham or smoked pork chops, is not suitable for grilling. Unhealthy chemical compounds may form.
- To prevent flare-ups, remove excess fat from foods prior to grilling.
- **DO NOT** use cleaners on elements. Allow grease to burn off the elements.
- To soak up fat on the grill plate, sprinkle coarse salt onto the grilling surface after use.

## Grill Cooking Recommendations

### IMPORTANT:

- **GRILL SHOULD NOT BE OPERATED WITHOUT PROPER VENTILATION.**
- **Foods with excessive fat or grease should not be prepared on an indoor grill. Grilling foods with high fat content (certain types of ground beef, sausage, etc) increases the chances of smoke and flames.**

FOOD*	SETTING**	COOK TIME (MINUTES)	NOTES
<b>BEEF</b>			
Hamburgers, ¾" (2 cm) (medium)	HIGH	12 – 14	Ready to turn once juices appear on the surface.
T-Bone Steak, 1½" (4 cm) (medium)	HIGH	20 – 22	Remove excess fat.
Ribeye or Sirloin, 1" (3 cm) (medium)	HIGH	10 – 12	Remove excess fat.
Kebabs, Steak (medium)	HIGH	24 – 28	Turn occasionally.
<b>PORK</b>			
Pork chops, ¾" (2 cm)	HIGH	16 – 20	Remove excess fat.
Sausages or Bratwurst	MED HIGH	16 – 20	Pierce before grilling.
Hot Dogs	HIGH	6 – 8	Place on grill horizontally.
<b>POULTRY</b>			
Legs and thighs	MED HIGH	34 – 38	Turn occasionally, remove excess skin.
Chicken wings, whole	MED HIGH	18 – 22	Turn occasionally.
Chicken breasts, ½" (1 cm), boneless	MED HIGH	20 – 24	Pound to an even thickness before cooking.
Kebabs, chicken	HIGH	30 – 33	Turn occasionally.
<b>SEAFOOD</b>			
Fish steak, 2" (6 cm)	MED HIGH	18 – 20	Brush with oil before grilling.
Fish fillet, ¾" (2 cm)	MED HIGH	16 – 20	Brush with oil before grilling.
Shrimp skewers	MED HIGH	10 – 14	Turn occasionally.
<b>PRODUCE</b>			
Portobello mushrooms	HIGH	8 – 10	Brush with oil.
Bell peppers, quartered	HIGH	8 – 10	Turn occasionally.
Eggplant, sliced, ½" (1 cm)	HIGH	8 – 10	Brush lightly with oil.
Tomatoes, halves	HIGH	8 – 10	Brush with oil.
Pineapple, sliced	HIGH	4 – 6	—
Peaches, halves	HIGH	4 – 6	—
<b>OTHER</b>			
Hamburger or hot dog buns	MED HIGH	4 – 6	Brush with butter.
Tofu, extra firm, sliced	MED HIGH	8 – 12	Skewer for easier grilling.

\* Level foods to a uniform thickness to ensure even cooking.

\*\* The values in the settings table should only be regarded as guidelines, since more or less heat may be required depending on the type and condition of the food.

# Using the Oven

## Oven Operation

### Bake Rack Positions

Rack level positions in the oven are numbered like an elevator. Number one level is the lowest and number five level is at the top.

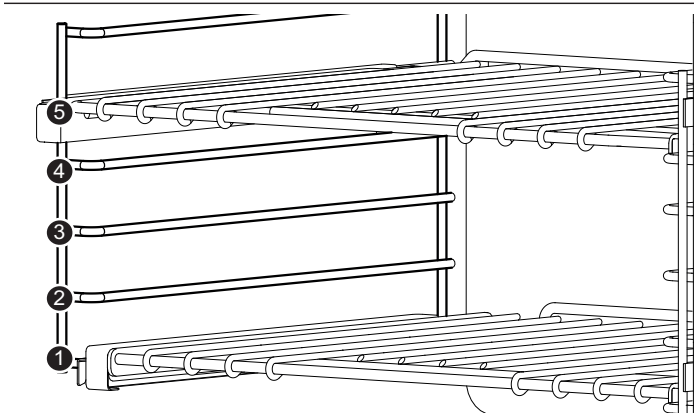


Figure 28: Oven Rack Positions

**NOTE:** Rack positions are general recommendations for baking; however, if a recipe calls for a different rack position than those given, then the recipe or package directions should be followed.

### Secondary Oven (48" Models)

Level	BAKE Mode
#3	-- Best used for most baked items.
#2	-- When additional height is needed. -- Pies are best baked on rack level #2 to make certain the bottom of the crust is done without over-browning the top.

### Main Oven One Rack Baking

Level	BAKE Mode
#3	-- Best used for most baked items.
#2	-- If the item is tall, such as an angel food cake. -- Pies are best baked on rack level #2 to make certain the bottom of the crust is done without over-browning the top. -- When large pieces of meat or poultry are roasted, such as a prime rib of beef or a turkey.

### Main Oven Two Rack Baking

Levels	BAKE or CONVECT BAKE Mode
#2 & #4 Dual Fuel #3 & #5 Gas	-- Casserole dishes

### Main Oven Three Rack Baking

If three-rack baking is desired, the Convection Bake mode is best.

### Getting the Best Results

- Minimize opening the oven door(s).
- Use the rack position recommended by the recipe.
- Use the bakeware recommended in the recipe.
- Store the broiler pan(s) outside the oven. An extra pan without food, affects the browning and cooking.
- The type of pan used affects the browning:
  - For tender, golden brown crusts, use light non-stick/anodized or shiny metal pans.
  - For brown crisp crusts, use dark non-stick/anodized or dark, dull metal pans or glass bakeware. These may require lowering the bake temperature 25°F (14°C).

### Preheating the Oven

- Most cooking times in recipes are designed for a preheated oven and require that the oven already be at a certain temperature before cooking starts. Refer to your recipe for preheating recommendations.
- Preheating time depends on the temperature setting and the number of racks in the oven.

### Bakeware Type

- Metal bakeware (with or without a non-stick finish), heat-proof glass, glass-ceramic, pottery, or other utensils are suitable for the oven.
- Suitable cookie sheets have a small lip on one side. Heavy sheets or those with more than one side may affect the baking time.

### Pan Placement

- Allow at least 1" (25.4 mm) of space between the pans and the oven walls so heat can circulate around each pan.

- Stagger bakeware so that one is not directly above another. Allow 1½" (38 mm) above and below each pan.

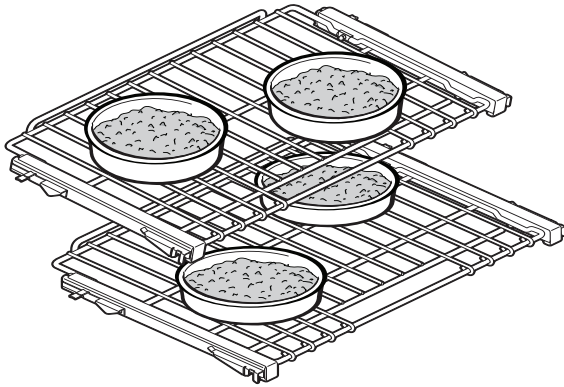


Figure 29: Dual Fuel Pan Placement

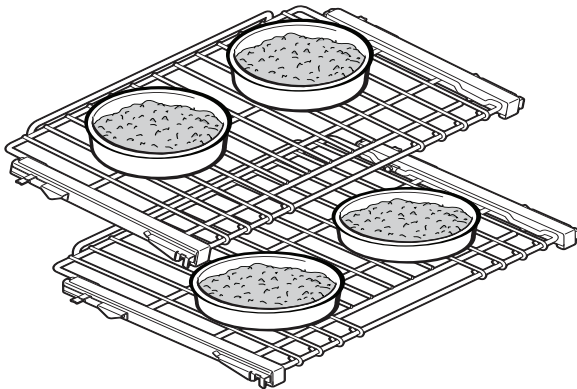


Figure 30: Gas Pan Placement

## Bake and Convection Bake

### Set Bake or Convection Bake

- Select **BAKE** mode or **CONV BAKE** mode using the Mode Selector Knob.

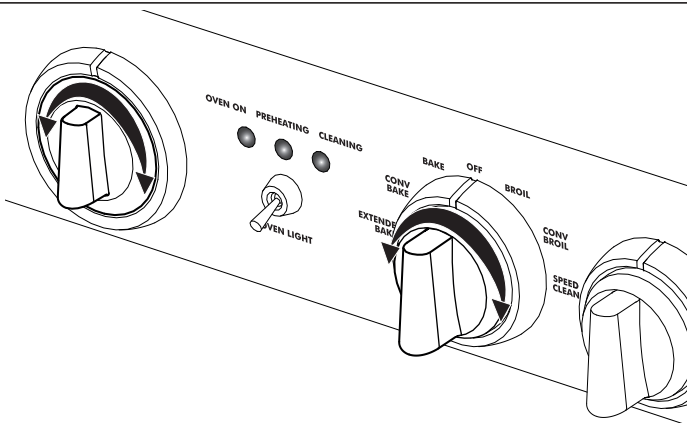


Figure 31: Oven Controls (appearance will vary)

- Set oven temperature using the Temperature Selector Knob.

- The **OVEN ON** and **PREHEATING** lights turn on.



- The oven is preheated to the set temperature when the **PREHEATING** light cycles off the first time.



- The **OVEN ON** light stays on during any active cooking mode, and remains on until either of the oven knobs is turned to the **OFF** position.

**NOTE:** The interior oven light is operated by a separate switch that turns the light on and off, independent of any control setting.

## Extended Bake

This unique cooking mode is for assisting the user for compliance to Sabbath principles.

- Select **EXTENDED BAKE** mode using the Mode Selector Knob.
- Set oven temperature using the Temperature Selector Knob.
  - PREHEATING PHASE** is the same as for other **BAKE** modes. Once the oven is preheated to the selected temperature, the twenty-two (22) minute Extended Bake cycle begins.
  - ACTIVE PHASE** baking is as usual for nineteen (19) minutes, except during the last two (2) minutes, the **OVEN ON** and **PREHEATING** lights blink slowly (on 3 sec. / off 3 sec. together) to serve as a **NOTICE** for the final phase.



- ACCESS PHASE (oven idle):** Once the two lights stop blinking (both remaining on), the final three (3) minutes allows the Sabbath user access to the oven without effecting a change in the operation of the range. Heating elements remain off during this phase.

## Automatic operation of the cooling blowers

The cooling blowers activate after the oven reaches 300°F (149°C). When the oven is turned off, the blowers remain on until the oven temperature cools below 250°F (121°C).

**DO NOT** continue to use the ovens if the cooling blower fails to activate while baking. Call a qualified service agency to repair the range.

**NOTE:** It is normal for the cooling process to push heated air out into the room when the oven is on.

## Set the Secondary Oven (48" models only)

1. Select mode using the Mode Selector Knob.
2. Set oven temperature using the Temperature Selector Knob.
  - The **OVEN ON** and **PREHEATING** lights turn on.

**OVEN ON    PREHEATING**



- The oven is preheated to the set temperature when the **PREHEATING** light cycles off the first time.

**OVEN ON    PREHEATING**



- The **OVEN ON** light stays on during any active cooking mode, and remains on until either of the oven knobs is turned to the **OFF** position.

## Baking Recommendations

FOOD	CONTROL SETTING	RACK LEVEL
Cookies	375°F (190°C)	3
Layer Cakes	350°F (180°C)	3
Sheet Cakes	350°F (180°C)	3
Bundt™ Cakes	325°F (165°C)	3
Brownies	325°F (165°C)	3
Biscuits	425°F (220°C) or Package Direction	3
Quick Bread	350°F (180°C)	3
Muffins	425°F (220°C)	3
Fruit Pies	425°F (220°C)	2
Fruit Cobblers	400°F (205°C)	3
Yeast Bread, Loaves	350°F (180°C)	3
Dinner Rolls	375°F (190°C)	3
Cinnamon Rolls	375°F (190°C)	3
Yeast Coffee Cake	375°F (190°C)	3

**NOTE:** Rack positions are general recommendations for baking; however, if a recipe calls for a different rack position than those given, then the recipe or package directions should be followed.

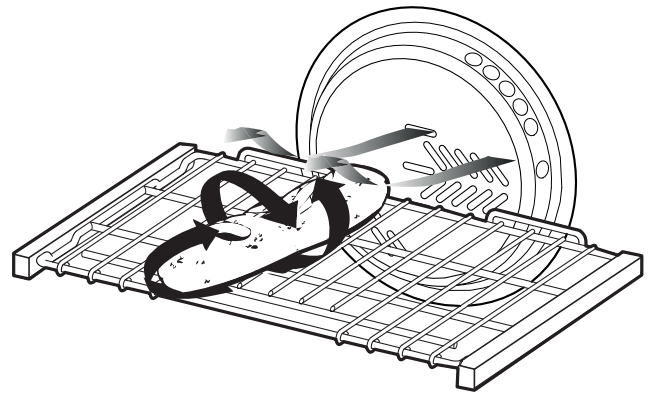
### ⚠ WARNING

**FOOD SAFETY** — The United States Department of Agriculture advises: **DO NOT** hold foods at temperatures between 40°F – 140°F (4°C – 60°C) for more than 2 hours. Cooking raw foods below 275°F (135°C) is not recommended.

## Convection

### Cooking with Convection

There are many advantages to cooking with convection. In the convection system, a fan in the back of the oven moves heated air evenly around the oven. The moving air provides even heat so foods can be placed on any rack level with consistent results. Multiple racks of foods can be cooked or large quantities of foods can be cooked at the same time. Foods will cook thoroughly without having to rotate pans.



**Figure 32: Convection Fan**

Low, shallow bakeware should be used with convection cooking. This allows the heated air to circulate around the food. Pans with high sides or pans that are covered are not suitable for convection cooking because high sides or lids prohibit the warm air from circulating around the food.

Your favorite pans and cookware can be used for convection cooking provided they have low sides to allow the heated air to circulate around the food. Any food cooked uncovered will brown evenly and form a nice crust. Foods in covered dishes (casseroles, pot roast) or delicate custards do not benefit from convection cooking.

## Convection Baking

Time can be saved by baking an entire batch of cookies at the same time. The cookies will bake evenly and be done all at once. The baking time may be shorter due to the warm circulating air. For small items such as cookies, check to see if they are done one to two minutes before the recipe time. For larger baked items such as cakes, check five to six minutes before the time indicated on the recipe.

Convection cooking of meat and poultry will result in foods that are brown and crispy on the outside and moist and juicy on the inside. Large meat or poultry items may cook up to 30 minutes less than the suggested time so check them so they will not be over baked. A meat thermometer or an instant read thermometer will provide more accurate results than the “minute per pound” method. The larger the piece of meat or poultry, the more time you will save.

### Converting Conventional Baking to Convection Baking

To convert most recipes for baked items (cookies, cakes, pies, etc.); reduce the oven temperature by 25°F (14°C). For meats and poultry, the temperature should not be reduced. The same temperature recommended in recipes and cooking charts for meats and poultry should be used.

## Tips for Convection Bake

### Preheating the Oven

Preheat the oven before cooking any foods, except large pieces of meat or poultry. See your recipe for preheating recommendation. Preheating time depends on the temperature setting and the number of racks in the oven.

### Temperature Setting

When using Convection Bake, reduce the temperature recommended in the recipe by 25°F (14°C), although the temperature does not need to be reduced when cooking meats and poultry. When roasting meats, check internal temperature prior to time recommended by recipe to prevent over cooking.

### High Altitude Baking

When baking at high altitudes, in either Bake or Convection Bake, recipes and baking times vary. For accurate information, write the Extension Service, Colorado State University, Fort Collins, Colorado 80521. There may be a cost for the bulletins. Specify the type of information you want (example: cakes, cookies, breads, etc.).

### Condensation

It is normal for a certain amount of moisture to evaporate from the food during any cooking process. The amount depends on the moisture content of the food. The moisture will condense on any surface cooler than the inside of the oven, such as the control panel.

## Convection Bake Rack Positions

See *Figure 28 on Page 29* for rack positions.

### One Rack Convection Baking

Level	CONVEC BAKE Mode
#3	-- When baking on one rack, best results are obtained in the BAKE mode (see “One Rack Baking”).
#2	-- Roasting a turkey or a large piece of meat.

### Two Rack Convection Baking

Levels	CONVEC BAKE Mode
#3 & #5 Dual Fuel	-- Use for cakes, cookies, biscuits, and other baked goods. Cake pans should be staggered. Cookie sheets should be placed on rack #3 directly under the one on rack #5.
#2 & #4 Gas	-- To bake several casseroles, frozen pies, or cakes. -- These two racks can also be used for a large oven meal.

### Three Rack Convection Baking

Levels	CONVEC BAKE Mode
#1, #3, & #5 Dual Fuel	-- When several sheets of cookies are to be baked. Place the baking sheets directly above each other on the respective racks to allow air to flow around the baking sheets.
Gas See note	-- Gas range rack levels for: Cookies: #2, #3, & #4 Other foods: #1, #3, & #5

### Bakeware Type

- Aluminum bakeware gives the best browning results.
- Cookie sheets with only one or two sides give the best results. Aluminum commercial half-sheets or professional cooking utensils may be used but baking times may be increased.

### Pan Placement

- For better browning, utensils such as cookie sheets, jelly roll pans and rectangular baking pans should be placed crosswise on the rack with the shorter sides on the right and the left. This allows the air to circulate freely.
- When baking on more than one rack, cookie sheets should not be staggered; round cake pans should be staggered.



## Dehydrating Foods with Convection Bake

Use the Convection Bake to dry and preserve fruits and vegetables.

### Tips:

- Drying times vary depending on the moisture and sugar content of the food, the size of the pieces, the amount being dried and the humidity in the air.
- Dry most fruits and vegetables at 150°F (66°C).
- Check food at the minimum drying time.
- It is best to use drying racks (not included) so that air can flow around the food. Do not place food directly on a baking sheet or pan. Food needs to be elevated to ensure even drying.
- Multiple drying racks can be used simultaneously.
- Racks #2 and #4 or #1, #3 and #5 can be used for multiple rack dehydrating. Use rack #3 if only dehydrating one rack.
- Dehydrating meat is not recommended due to food safety concerns.
- Consult a food preservation book, county Cooperative Extension Office or library for additional information.

FOOD	PREPARATION	APPROX. TIME (HRS)	DONENESS TEST
<b>FRUIT</b>			
Apples	Dipped in ¼ cup lemon juice and 2 cups water, ¼" slices	8 – 15	Slightly pliable
Bananas	Dipped in ¼ cup lemon juice and 2 cups water, ¼" slices	8 – 15	Slightly pliable
Cherries	Wash and towel dry. For fresh cherries, remove pits	7 – 18	Pliable leathery, chewy
Orange peels	Orange part of skin thinly peeled from oranges.	1 – 4	Dry and brittle
Orange slices	¼" slices of orange	9 – 16	Skins are dry and brittle, fruit is slightly moist
Pineapple rings, canned	Towel dried	8 – 13	Soft and pliable
Pineapple rings, fresh	Towel dried	7 – 12	Soft and pliable
Strawberries	Wash and towel dry. Sliced ½" thick, skin down on rack	9 – 17	Dry and brittle
<b>VEGETABLES</b>			
Peppers	Wash and towel dry. Remove membrane of peppers, 1" coarsely chopped pieces	13 – 17	Leathery with no moisture inside
Mushrooms	Wash and towel dry. Cut thin slices, ⅛" thick	5 – 12	Tough and leathery, dry
Tomatoes	Wash and towel dry. Cut thin slices, ⅛" thick, drain well	5 – 12	Dry, brick red color

## WARM (secondary oven, only on Dual Fuel 48" models)

This feature maintains the warm environment needed for keeping cooked foods hot.

### To Set the Secondary Oven to WARM

1. To preheat the oven turn the Mode Selector Knob to **WARM** about 10 minutes before use. **DO NOT** rotate the Temperature Selector Knob to any setting (leave in **OFF** position).
2. **Place the hot food** in the secondary oven then close the door. The ideal temperature for keeping the food warm will be maintained until the Selector Switch is turned off.
3. **Do not open the oven door unnecessarily.** Opening the door will reduce the temperature of the oven.

#### MINIMUM INTERNAL COOKING TEMPERATURES

The minimum internal temperatures that foods must reach to be considered safe to eat, as determined by the *U. S Department of Agriculture Food Safety and Inspection Service*, are as follows:

<b>Fresh ground beef, veal, lamb, pork</b>	160°F (72°C)
<b>Beef, veal, lamb roasts, steaks, chops</b>	
Medium rare	145°F (63°C)
Medium	160°F (71°C)
Well done	170°F (77°C)
<b>Fresh pork roasts, steaks, chops</b>	
Medium	160°F (72°C)
Well done	170°F (77°C)
<b>Ham</b>	
Cook before eating	160°F (72°C)
Fully cooked, to reheat	140°F (60°C)
<b>Poultry</b>	
Ground chicken, turkey	165°F (74°C)
Whole chicken, turkey	180°F (82°C)
Breasts, roasts	170°F (77°C)
Thighs and wings	180°F (82°C)
Stuffing (cooked alone or in bird)	165°F (74°C)
Egg dishes, casseroles	160°F (72°C)
Leftovers	165°F (74°C)

\* Level foods to a uniform thickness to ensure even cooking.

#### ⚠ CAUTION

#### Food Safety Concern Food Poisoning Possible

**DO NOT** use the WARM mode for cooking food. The WARM mode is not hot enough to cook foods at safe temperatures.

## PROOF (secondary oven, only on Dual Fuel 48" models)

The proof feature maintains the warm, non-drafty environment needed for proofing yeast leavened products.

It is best to start with a cool oven when using the proofing function.

### To Set the Secondary Oven for Proofing

1. Allow dough to thaw if frozen.
2. Place dough in dish and loosely cover.
3. Use any rack level that accommodates the size of the bowl or pan. Close the door.
4. Select **PROOF** using Selector Knob. **DO NOT** turn on Oven Temperature Control Knob.

SIZE	TIME
Loaf, 1 lb (0.45 kg)	60 – 75 minutes
Rolls, 0.1 lb (0.05 kg)	30 – 45 minutes

The ideal temperature for proofing will be maintained until the Mode Selector Knob is turned off.

Dough has “proofed” when it has doubled in size.

Do not open the oven door unnecessarily. Opening the door will lower the temperature of the air in the oven and lengthen the proofing time. Use the oven light to check the rising of the dough.

Proofing time may be decreased when using the large oven at the same time you are proofing. Check bread product early to avoid over-proofing. If you are using the large oven for extended periods of time we recommend, for optimum results, that you complete the proofing before using the large oven.

## Other Uses of Bake

### Low Temperature Uses of the Oven

In addition to providing perfect temperatures for baking and roasting, the oven can be used at low temperatures to keep hot, cooked foods at serving temperature and to warm plates.

For best results, preheat the oven to the desired temperature.

Hot cooked foods can be kept at serving temperatures. Set the oven to bake and use the temperature suggested on the chart.

### Suggested Temperature Recommendations to Keep Food Hot

FOOD	OVEN TEMPERATURE
Beef	150°F (70°C)
Bacon	225°F (110°C)
Biscuits and Muffins (covered)	200°F (90°C)
Casserole (covered)	200°F (90°C)
Fish and Seafood	200°F (90°C)
Deep Fried Foods	225°F (110°C)
Gravy or Cream Sauces (covered)	175°F (80°C)
Lamb and Veal Roasts	200°F (90°C)
Pancakes and Waffles (covered)	225°F (110°C)
Potatoes Baked	200°F (90°C)
Mashed (covered)	175°F (80°C)
Pies and Pastries	175°F (80°C)
Pizza (covered)	225°F (110°C)
Pork	200°F (90°C)
Poultry (covered)	200°F (90°C)
Vegetables (covered)	175°F (80°C)

## BROIL on all models and CONV BROIL on Dual Fuel models

### Rack Positions

Before turning on the oven, place the rack in the desired position. After preheating the broiler, center the broil pan under the broil element.

#### Dual Fuel Main Oven

Level	Dual Fuel BROIL Mode
#5	-- Broiling beef steaks, ground meat patties, ham steak and lamb chops 1" (25.4 mm) or less in thickness. Also use when top browning foods.
#4	-- Broiling meat 1 1/8" (29 mm) or more in thickness or fish, poultry, pork chops and ham steaks 1" (25.4 mm) or more in thickness.
#3	-- Broiling chicken quarters or halves.

#### Gas Main Oven

Level	Gas BROIL Mode
#4	-- Broiling beef steaks, ground meat patties, ham steak and lamb chops 1" (25.4 mm) or less in thickness.
#3	-- Broiling meat 1 1/8" (29 mm) or more in thickness or fish, poultry, pork chops and ham steaks 1" (25.4 mm) or more in thickness. Use this rack when broiling chicken quarters or halves. Also use when top browning foods.

#### Secondary Oven (48" models only)

Levels	Secondary BROIL Mode
#3, #4, or #5 – Dual Fuel #1, #3, or #4 – Gas	-- Depending upon the type and thickness of the food.
#5 – Dual Fuel #3 – Gas	-- Top browning of foods.

## Getting the Best Results

- Defrost food before broiling.
- Door is to be closed during broiling.
- Steaks should be more than 1" (25.4 mm) thick if rare meat is desired. Use convection broil if steaks are over 1½" (38 mm) thick.
- Turn foods over only once, after half the total cooking time. It is not necessary to turn very thin foods (ham slices, fillets of fish, etc.). Liver slices must be turned over regardless of thickness.
- Center foods directly under the broiling element for best browning.

### Preheating the Broiler

- It is recommended that you preheat the broil element before starting to cook. Preheat for 3 minutes then place food in oven.

### Utensils

- The porcelain enamel two-piece broil pan and grid is included with the range. **DO NOT** cover the slotted grid (top) with aluminum foil.
- Use metal or glass-ceramic bakeware when top browning casseroles, main dishes, or bread.
- **DO NOT** use heat-proof glass or pottery. This type of glassware cannot withstand the intense heat of the broil element.
- The small porcelain broiler pan is designed to be used in the Secondary Oven of 48" models.

**NOTE:** It is not possible to use the BAKE mode and BROIL mode simultaneously. When one mode is on, the other mode cannot be turned on.

## Setting Broil or Convection Broil

Only the upper element heats in the BROIL mode. Successful broiling requires constant exposure to high, intense heat.

1. Place oven rack in desired position.
2. Set Mode Selector Knob to BROIL or CONV BROIL.
3. Set Temperature Selector Knob to BROIL setting.
4. Place food in oven at desired rack position.
  - The door should be closed throughout the broil cycle.
  - Your THERMADOR PROFESSIONAL range comes with a large two-piece broiler pan. The slotted grid allows drippings to flow into the lower pan, away from the intense heat of the broil element, minimizing spattering, smoking, and the chance of a grease fire.
  - The 48" Models have a small porcelain broiler pan, for use in the Secondary Oven.

## Automatic operation of the cooling blowers

The cooling blowers activate after the oven reaches 300°F (149°C). When the oven is turned off, the blowers remain on until the oven temperature cools below 250°F (121°C).

DO NOT continue to use the broiler if the cooling blower fails to activate while broiling. Call a qualified service agency to repair the range.

## Broiling Recommendations

All meats are placed on the broiler pan included with the range.

FOOD ITEM	RACK NUMBER	OVEN MODE
<b>BEEF</b> Ground Beef Patties, 1/2" (12.7 mm) thick	#5 – Dual Fuel #4 – Gas	BROIL or CONV BROIL*
T-Bone Steak	#4	BROIL or CONV BROIL
Flank Steak	#4	BROIL or CONV BROIL*
Rib Roast	#3	BAKE or CONV BAKE
<b>BREADS</b> Toast, Garlic Bread, etc.	#4 – Dual Fuel #3 – Gas	BROIL
<b>PORK</b> Loin Roast	#3	BAKE or CONV BAKE
<b>POULTRY</b> Boneless, Skinless Chicken Breasts	#4	BROIL or CONV BROIL*
Chicken Thighs	#3	BROIL or CONV BROIL*
Half Chickens	#3	BROIL or CONV BROIL*
Roast Chicken	#2	BAKE or CONV BAKE
Turkey	#2	BAKE or CONV BAKE

\* Some models only.

# Care and Maintenance

## Self-Cleaning the Oven (Dual Fuel Models Only)

### ⚠ WARNING

- Children should not be left alone or unattended in an area where appliances are in use.
- During the Self-Clean cycle, exterior surfaces may become hotter than usual. Parts of the appliance may become potentially harmful to children, and to persons who lack adult knowledge of appliances and lack adult reactions to potentially harmful conditions. Keep these individuals away during self-clean and while the appliance is in use.
- The elimination of soil during self-cleaning may facilitate the emission of small amounts of chemicals or other substances that may be harmful upon sufficient exposure. To minimize exposure to these substances, provide good ventilation with an open window, or use a ventilation fan or hood.
- Keep pet birds out of the kitchen or other rooms where kitchen fumes could reach them. During self-clean, fumes are released that may be harmful to birds.

### Brand Names

The use of brand names is intended only to indicate a type of cleaner. This does not constitute an endorsement. The omission of any brand name cleaner does not imply its adequacy or inadequacy. Many products are regional in distribution and can be found in local markets. It is imperative that all cleaning products be used in strict accordance with the instructions on its package.

### About Self-Clean

The self-cleaning mode of your new range features pyrolytic self-cleaning. When set to the CLEAN mode, the oven reaches a high temperature, approximately 850°F (454°C), that burns off the food soil.

When the oven is set for CLEAN, the standard cooktop burners and the electric griddle and grill may be used. The outer burners, having the ExtraLow<sup>®</sup> feature, cannot be used.

It is common to see smoke and/or flames during the clean cycle, depending on the content and amount of soil remaining in the oven. If a flame persists, turn off the oven and allow it to cool before opening the door to wipe up the excessive food soil.

At the end of the CLEAN cycle, some gray ash or burned residue may remain inside the oven. This is a mineral deposit that does not burn or melt. The amount of ash depends on how heavily soiled the oven was before it was cleaned. When the oven is cold, it is easily removed using a damp paper towel, sponge, or cloth.

Wipe off any smoke residue that remains on the front frame with Fantastik<sup>®</sup> or Bar Keeper's Friend<sup>®</sup> cleaners. If stain remains, use a mild liquid cleanser. The amount of smoke stain is directly related to the amount of food soil left in the oven at the time of self-cleaning. Clean the oven often.

### Before Self-Cleaning the Oven

To reduce flare ups and excess smoke wipe out puddles of grease and any loose soil that can be easily removed. Remove any soil that is outside the door seal area. This appliance is designed to clean the oven interior and the portion of the door that is inside the oven. The outer edges of the door and the frame surrounding the front of the oven are not in the cleaning zone. Wipe this area clean.

#### BEFORE SETTING THE OVEN TO SELF-CLEAN

- Remove all utensils.
- Remove racks.
- Clean the oven front frame and outer door edges. Wipe up large spillovers and grease.
- Be sure the light bulbs and glass covers are in place.
- Turn on the ventilator hood above the range and leave it on until the oven has completed the self-clean cycle.

#### IMPORTANT:

For the first Self-Cleaning cycle of your new range, remove small animals and birds from the kitchen and surrounding areas. Open a nearby window for additional ventilation.

### Lock

When the CLEAN cycle starts, the automatic door lock cycle begins. Check the door to confirm that the oven door is locked at the beginning of the cleaning cycle.

## To Set Self-Clean

1. Select **SPEED CLEAN** using the Mode Selector Knob.
2. Set Temperature Selector Knob to **CLEAN**.
  - Oven door locks and the cooling blower turns on.
  - OVEN ON, PREHEATING and CLEANING lights turn on.

OVEN ON   PREHEATING   CLEANING



- When the oven reaches maximum self-clean temperature, the PREHEATING light turns off.

**NOTE:** The door closing process takes approximately 20 seconds to complete, at which time the door becomes locked. Check to make certain the door is locked.

### At the End of the Clean Cycle

The Speed Clean cycle takes 2 hours to complete. The OVEN ON light and the CLEANING light turn off when the cycle is finished. Do not turn either of the oven temperature knobs to the OFF position until the automatic lock cycles to the open position.

1. Select **OFF** using the Mode Selector Knob.
  - The door latch will open automatically when the oven is below 500°F (260°C) and the automatic Door Lock completes its 60 second cycle to the open position.
  - The cooling blower turns off when the oven temperature drops to 200°F (93°C).
2. Turn the oven temperature knob to **OFF** position.

#### ⚠ CAUTION

The interior of the oven will still be at baking temperatures when the automatic lock cycles to its open position and the oven door can be opened.

#### NOTES:

- The self-clean operation can be canceled up to two times after cycle initiation. Cancellation must occur within 5 minutes of cycle start. If after the second cancellation, the self-clean function is terminated again, the self-clean function will be prevented for a period of 24 hours. All other modes will retain their original functions.
- If the user tries to enable a self-clean function in an oven where the self-clean function has been restricted, the oven lights will blink on and off in 2-second intervals to indicate to the user that the function is not available. User must turn the knobs to OFF to cease the blinking lights.

## Range Cleaning Tips

#### ⚠ CAUTION

Avoid cleaning any part of the range while it is hot.

- The porcelain enamel finish is acid resistant, but not acid proof. Acidic foods, such as citrus juices, tomatoes, rhubarb, vinegar, alcohol or milk, should be wiped up and not allowed to bake onto the porcelain during the next use.
- The heating elements in the oven do not require cleaning. The elements burn themselves clean when the oven is in use.

#### When cleaning this range:

- Use the mildest cleaning procedure that will do the job efficiently and effectively. Some cleaners of the same type are harsher than others. Try on a small inconspicuous area first.
- Always rub metal finishes in the direction of the polish lines for maximum effectiveness and to avoid marring the surface.
- Use only clean soft cloths, sponges, paper towels, fibrous brushes, plastic, non-metal or steel wool soap pads for cleaning and scouring, as recommended on the chart.
- Most exterior parts of this appliance can be cleaned with hot sudsy water (except the various items specifically identified otherwise). When rinsing is required, rinse thoroughly.
- Always wipe dry immediately to avoid water marks.
- **DO NOT USE CHLORINE BASED CLEANERS.**

#### Rack guide removal for cleaning (gas models only)

1. Lift the front of rack guide to clear the heads of the two shoulder bolts at the front of the oven cavity.
2. Remove the front portion of the rack guide by pulling the guide's key slots over the shoulder bolts.
3. Pull the two rails out of the holes in the back of the oven cavity. The rack guides are designed to fit either side of the oven cavity.

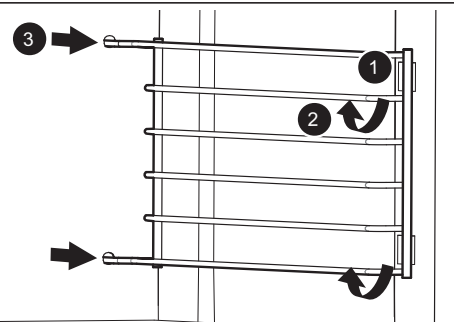
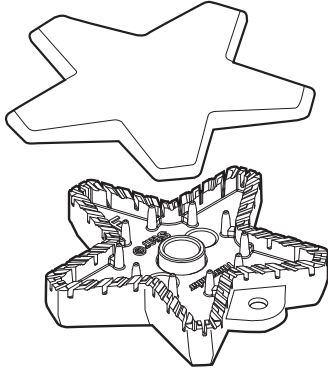
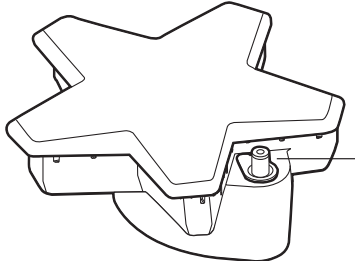
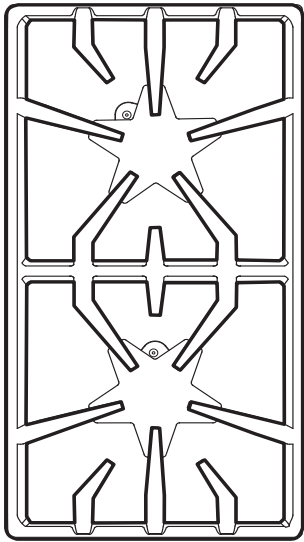
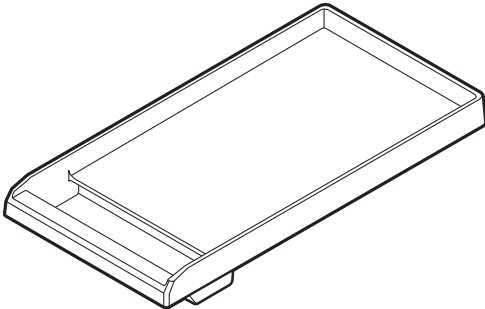
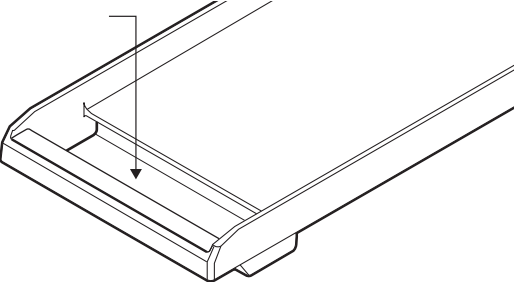


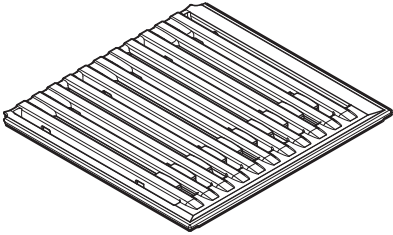
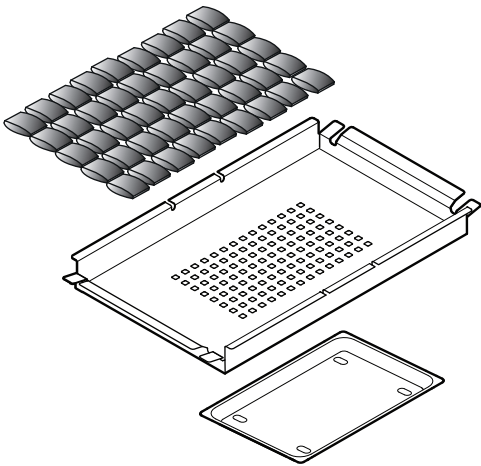
Figure 33: Oven Rack Guide Removal

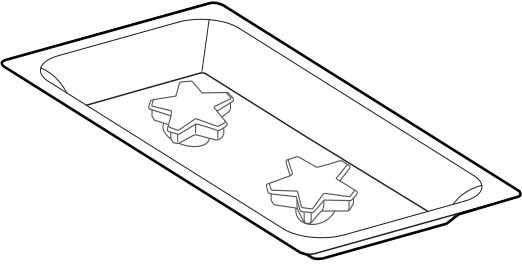
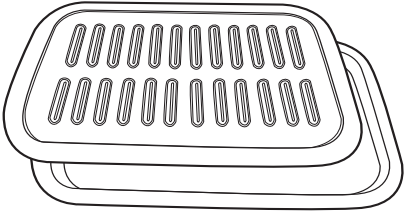
# Cleaning Recommendations

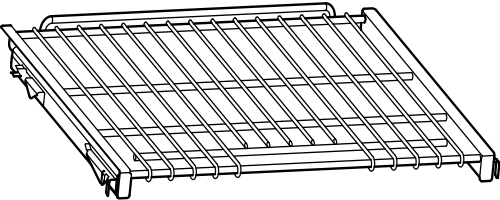
PART/MATERIAL	CLEANING NOTES
<p><b>Brass Burner Base and Cast Iron Cap</b></p> 	<ul style="list-style-type: none"> <li>• A stiff nylon bristle tooth brush can be used to clean port openings.</li> <li>• After cleaning, make sure that the STAR<sup>®</sup> burner cap is correctly seated on the STAR burner base.</li> <li>• <b>Suggested cleaners</b>; rinse and dry immediately: <ul style="list-style-type: none"> <li>-- Hot water and detergent</li> <li>-- Bar Keeper's Friend<sup>®</sup></li> <li>-- Bon-ami<sup>®</sup></li> <li>-- Wright's<sup>®</sup> All Purpose Brass Polish</li> <li>-- Kleen King<sup>®</sup></li> </ul> </li> </ul>
<p><b>Igniters</b> Ceramic</p> 	<ul style="list-style-type: none"> <li>• <b>DO NOT</b> use sharp tools to scrape the igniters. The igniters are fragile. If an igniter is damaged, it may not light the burner.</li> <li>• <b>Suggested cleaners</b>: <ul style="list-style-type: none"> <li>-- Cotton swab dampened with soapy water</li> <li>-- Fantastik<sup>®</sup></li> </ul> </li> </ul>
<p><b>Control Knobs/ Metal</b> <b>Bezels/ Chrome</b> <b>Oven Racks/ Chrome</b></p>	<ul style="list-style-type: none"> <li>• <b>DO NOT</b> soak knobs.</li> <li>• <b>DO NOT</b> force knobs onto wrong valve shaft.</li> <li>• <b>Suggested cleaners</b>; rinse and dry immediately: <ul style="list-style-type: none"> <li>-- Hot water and detergent</li> </ul> </li> </ul>
<p><b>Exterior Finish/Backguard</b> Stainless Steel</p>	<ul style="list-style-type: none"> <li>• Stainless steel resists most food stains and pit marks providing the surface is kept clean and protected. Never allow food stains or salt to remain on stainless steel for any length of time.</li> <li>• Rub lightly in the direction of polish lines.</li> <li>• Chlorine or chlorine compounds in some cleaners are corrosive to stainless steel. Check ingredients on label.</li> <li>• <b>Suggested cleaners</b>; rinse and dry immediately: <ul style="list-style-type: none"> <li>-- Hot water and detergent</li> <li>-- Fantastik<sup>®</sup></li> <li>-- Siege<sup>®</sup> Stainless Steel and Aluminum Cleaner</li> <li>-- Kleen King<sup>®</sup> Stainless Steel Liquid Cleaner</li> <li>-- Cleaner polish: Stainless Steel Magic<sup>®</sup> to protect the finish from staining and pitting; enhances appearance.</li> <li>-- THERMADOR Stainless Steel Conditioner (00576697)</li> <li>-- For hard water spots use household vinegar.</li> </ul> </li> <li>• <b>For heat discoloration</b>; rinse and dry immediately: <ul style="list-style-type: none"> <li>-- Barkeepers Friend<sup>®</sup></li> <li>-- Wright's<sup>®</sup> All Purpose Brass Polish</li> </ul> </li> </ul>

PART/MATERIAL	CLEANING NOTES
<p><b>Grates</b> Porcelain Enamel on Cast Iron</p> 	<ul style="list-style-type: none"> <li>• The grates are heavy; use care when lifting. Place on a protected surface. <b>DO NOT</b> clean grates in a self-cleaning oven.</li> <li>• The rough texture of the grate can sometimes remove aluminum deposits from the bottom of pans and fill in areas between the high spots on the surface of the grate. Use special care when cooking with copper and aluminum pots and pans as this type of cookware can sometimes leave metal deposits on the grates.</li> <li>• Blisters/ crazing/ chips are common due to the extreme temperatures on grate fingers and rapid temperature changes.</li> <li>• Acidic and sugar-laden spills deteriorate the enamel. Remove soil immediately.</li> <li>• Abrasive cleaners, used too vigorously or too often can eventually mar the enamel.</li> <li>• <b>Suggested cleaners;</b> rinse and dry immediately: <ul style="list-style-type: none"> <li>-- Hot water and detergent</li> <li>-- Fantastik®</li> <li>-- Bar Keeper's Friend®</li> <li>-- Bon-ami®</li> <li>-- Soft Scrub®</li> </ul> </li> <li>• <b>Stubborn stains;</b> rinse and dry immediately: <ul style="list-style-type: none"> <li>-- Soap-filled steel wool pad</li> <li>-- Lestoil®</li> <li>-- Other degreaser</li> </ul> </li> <li>• <b>Metal deposits:</b> <ul style="list-style-type: none"> <li>-- Scotch Brite™ scrub sponge</li> <li>-- Course steel wool pad</li> </ul> </li> </ul>
<p><b>Griddle</b> Aluminum with non-stick coating</p> 	<ul style="list-style-type: none"> <li>• <b>NEVER</b> flood a hot griddle with cold water. This can warp or crack the aluminum plate.</li> <li>• <b>DO NOT</b> clean any part of the griddle in a self-cleaning oven.</li> <li>• Wipe griddle surface with warm soapy water then rinse with warm water. Wipe dry with a soft cloth.</li> <li>• If food particles stick to the griddle plate, remove with a mild abrasive cleaner such as Soft Scrub®.</li> <li>• <b>Suggested cleaners;</b> rinse and dry immediately: <ul style="list-style-type: none"> <li>-- Hot water and detergent</li> <li>-- Dishwasher safe</li> <li>-- Soft Scrub®</li> </ul> </li> </ul>
<p><b>Griddle Grease Tray</b></p> 	<ul style="list-style-type: none"> <li>• Remove tray after grease has cooled. Be careful not to fill it so full that tipping to remove it spills the grease. Discard grease into a grease resistant container for disposal.</li> <li>• Clean the grease tray after each use.</li> <li>• <b>Suggested cleaners;</b> rinse and dry immediately: <ul style="list-style-type: none"> <li>-- Hot water and detergent</li> <li>-- Dishwasher safe</li> <li>-- Soft Scrub®</li> </ul> </li> </ul>



PART/MATERIAL	CLEANING NOTES
<p><b>Grill Grates</b> Porcelain Enamel on Cast Iron</p> 	<ul style="list-style-type: none"> <li>• Clean the grates after each use.</li> <li>• Place the grill grate into a sink and pour boiling hot water over the grate. Lay a dish towel on top of the grate and pour more hot water over the towel. Allow the water to soak into the residue. Scrape away debris with a soap-filled scouring pad.</li> <li>• Stubborn soil: Soft Scrub®.</li> <li>• <b>Suggested cleaners;</b> rinse and dry immediately: <ul style="list-style-type: none"> <li>-- Hot water and detergent</li> <li>-- Dishwasher safe</li> <li>-- Soft Scrub®</li> <li>-- Soft brass wire brush for stubborn residues. Hard steel wire brushes could scratch the porcelain grate coating and cause premature oxidation of the grate.</li> </ul> </li> <li>• <b>Stubborn stains;</b> rinse and dry immediately: <ul style="list-style-type: none"> <li>-- Soap-filled steel wool pad</li> <li>-- Lestoil®</li> <li>-- Other degreaser</li> </ul> </li> </ul>
<p><b>Ceramic Briquettes, Briquette Basket, and Grill Drip Tray</b></p> 	<ul style="list-style-type: none"> <li>• <b>Suggested cleaning for ceramic briquettes;</b> <ol style="list-style-type: none"> <li>1) Gently place grease-saturated ceramic briquettes in a 6 quart or larger pot.</li> <li>2) Fill the pot with clean water so that all ceramic briquettes are covered at least ½" deep.</li> <li>3) Bring the water to a steady boil. Once reaching a steady boil, continue to boil for 10 minutes.</li> <li>4) Remove from heat and allow ceramic briquettes to cool to a safe temperature.</li> <li>5) Pour water off of ceramic briquettes and pat them dry on old towels or paper towels.</li> <li>6) Allow ceramic briquettes to air dry for at least two hours. Some visible grease stains may remain on briquettes after cleaning.</li> <li>7) Reassemble clean, dry briquettes back into the grill before using the grill again.</li> </ol> </li> <li>• New ceramic briquettes can be purchased from the THERMADOR eShop (order number <i>PABRICKBKN</i>). See the back cover for support information.</li> <li>▲ <b>CAUTION:</b> Ceramic briquettes must be replaced when they begin to turn black. This means that they are saturated with fat and may smoke heavily during operation or the fat may catch fire.</li> <li>• <b>Suggested cleaners for basket and drip tray;</b> rinse and dry immediately: <ul style="list-style-type: none"> <li>-- Hot water and detergent</li> <li>-- Bar Keeper's Friend®</li> <li>-- Dishwasher safe</li> </ul> </li> </ul>

PART/MATERIAL	CLEANING NOTES
<p><b>Surface Spill Trays</b> Porcelain Enamel (gloss finish)</p> 	<ul style="list-style-type: none"> <li>• If mild abrasive cleaners are used, rub lightly as these cleansers may scratch the finish.</li> <li>• For burned on foods, soap filled fiber or steel wool pads may be used but care must be taken as these may scratch the finish.</li> <li>• <b>Suggested cleaners;</b> rinse and dry immediately: <ul style="list-style-type: none"> <li>-- Hot water and detergent</li> <li>-- Bar Keeper's Friend®</li> <li>-- Soft Scrub®</li> <li>-- Bon-ami®</li> <li>-- Comet®</li> <li>-- Ajax®</li> </ul> </li> <li>• <b>Stubborn stains;</b> rinse and dry immediately: <ul style="list-style-type: none"> <li>-- Soap-filled fiber or steel wool pad</li> </ul> </li> </ul>
<p><b>Oven Cavity</b> Porcelain Enamel on Steel</p>	<ul style="list-style-type: none"> <li>• Porcelain enamel is acid resistant, but not acid proof. Acid foods such as citrus juices, tomatoes, rhubarb, vinegar, alcohol or milk, should be wiped up and not allowed to bake onto the porcelain during the next use. Over a period of time, the porcelain may craze (get fine hairlike lines), this will not affect oven performance.</li> <li>• Apply cleaner to a damp sponge or cloth. Rub lightly. Rinse thoroughly and dry. If food has burned onto the oven and is difficult to remove, the spots can be soaked with a cloth saturated in a suggested cleaner. Close the door and allow it to soak until the food soil can be easily removed with a damp soapy cloth or mild abrasive.</li> <li>• <b>Suggested cleaners;</b> rinse and dry immediately: <ul style="list-style-type: none"> <li>-- Hot water and detergent</li> <li>-- Bar Keeper's Friend®</li> <li>-- Vinegar and water</li> <li>-- Soft Scrub®</li> <li>-- Bon-ami®</li> <li>-- Comet®</li> </ul> </li> </ul>
<p><b>Door(s)</b> Door Handle and Stainless Steel</p>	<ul style="list-style-type: none"> <li>• Use care to keep cleaners and water away from the door vents. If water or cleaners spill into the vents, water may streak the glass inside.</li> </ul>
<p><b>Seal</b> Door Gasket</p>	<ul style="list-style-type: none"> <li>• Spray on cleaner and blot dry with a cloth. <b>DO NOT</b> rub. Do not move, remove or damage mesh.</li> <li>• <b>Suggested cleaners;</b> rinse and dry immediately: <ul style="list-style-type: none"> <li>-- Hot water and detergent</li> <li>-- Fantastik®</li> </ul> </li> </ul>
<p><b>Broil Pan Grid/Bottom</b> Porcelain Enamel</p> 	<ul style="list-style-type: none"> <li>• To loosen cooked on food, squirt with liquid detergent and cover with wet paper towels. Allow to stand.</li> <li>• <b>Suggested cleaners;</b> rinse and dry immediately: <ul style="list-style-type: none"> <li>-- Hot water and detergent</li> <li>-- Vinegar and water</li> <li>-- Dishwasher safe</li> <li>-- Bar Keeper's Friend®</li> <li>-- Soft Scrub®</li> <li>-- Bon-ami®</li> <li>-- Soap-filled fiber or steel wool pads</li> </ul> </li> </ul>

PART/MATERIAL	CLEANING NOTES
<p data-bbox="102 155 477 184"><b>Oven Racks and Rack Guides</b></p> <p data-bbox="151 197 305 222">Nickel Plated</p> 	<ul style="list-style-type: none"> <li data-bbox="630 155 1500 247">• Some commercial oven cleaners cause darkening and discoloration. Test the cleaner on a small part of the rack and check for discoloration before cleaning the entire rack.</li> <li data-bbox="630 260 1317 289">• Oven racks will discolor if left in oven during self clean.</li> <li data-bbox="630 302 1495 394">• If the racks do not slide easily after being cleaned, dampen a paper towel with a small amount of cooking oil and rub it lightly over the side rails.</li> <li data-bbox="630 407 1252 436">• <b>Suggested cleaners;</b> rinse and dry immediately: <ul style="list-style-type: none"> <li data-bbox="675 443 1008 472">-- Hot water and detergent</li> <li data-bbox="675 478 938 508">-- Vinegar and water</li> <li data-bbox="675 514 919 543">-- Dishwasher safe</li> <li data-bbox="675 550 976 579">-- Bar Keeper's Friend®</li> <li data-bbox="675 585 862 615">-- Soft Scrub®</li> <li data-bbox="675 621 837 651">-- Bon-ami®</li> </ul> </li> <li data-bbox="630 657 1203 686">• <b>Stubborn stains;</b> rinse and dry immediately: <ul style="list-style-type: none"> <li data-bbox="675 693 1114 722">-- Soap-filled fiber or steel wool pad</li> </ul> </li> </ul>

# Do-It-Yourself Maintenance

## Oven Light Bulb Replacement

### ⚠ CAUTION

- Make sure the appliance and lights are cool and power to the appliance has been turned off before replacing the light bulb(s). Failure to do so could result in electrical shock or burns.
- The covers must be in place when using the appliance.
- The covers serve to protect the light bulb from breaking.
- The covers are made of glass. Handle carefully to avoid breaking. Broken glass could cause an injury.
- The light socket is live when the door is open.

Replace only with a recommended light bulb designed for appliance oven use. **DO NOT** use a standard household light bulb in any oven. Call THERMADOR Customer Care Center at 1-800-735-4328 or your nearest THERMADOR dealer to determine the proper replacement bulb for your range. You will need to know your range's model number and serial number.

### To Replace the Light Bulb

Use only 40W, 120V G9 light bulbs. Use a clean, dry cloth to handle halogen light bulbs. This will increase the life of the bulb.

1. Turn off circuit breaker.
2. Remove the oven racks.
3. Slide the tip of a flat blade screw driver between the holder clip and the lamp housing (*Figure 34, A*). Support the glass lens cover with fingers along the bottom edge to prevent the cover from falling to the bottom of the oven. Gently twist the flat blade screw driver to loosen the glass lens cover.

4. Remove the glass lens cover.
5. Remove the bulb by grasping and sliding the bulb straight back until the two prongs have cleared the ceramic holder (*Figure 34, B*).
6. **DO NOT touch the glass** of the new replacement bulb with your fingers. It may cause the bulb to fail when it first lights. Grasp the replacement bulb with a clean dry cloth. Locate the two prongs in the ceramic holder, gently poking until the two prongs locate in the ceramic socket.
7. Press down to seat the bulb (*Figure 34, C*).
8. Slide the protective lens into the holder clip and push the other end until the fixing clip snaps back into the housing (*Figure 34, D*).

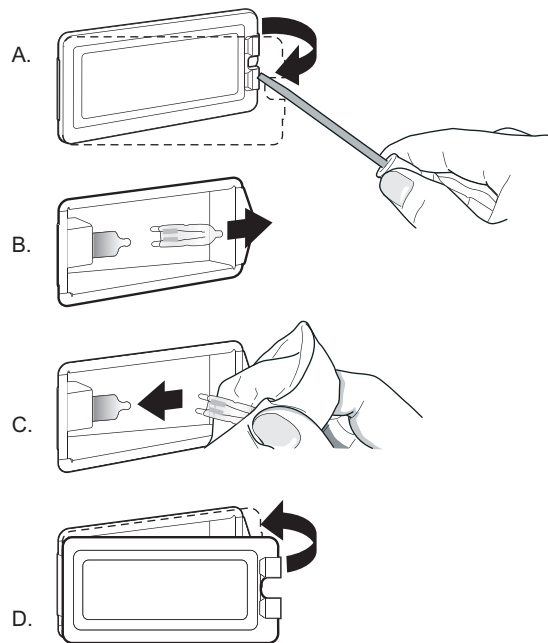


Figure 34: Bulb Replacement

9. Turn on circuit breaker.

# Before Calling for Service

## Checklist

Before calling for service, check the following to avoid unnecessary service charges.

### Be sure to check these items first:

- Is there a power outage in the area?
- Is the household fuse blown or the circuit breaker tripped?
- Is the range disconnected from the electrical supply?

### If the burners do not ignite:

- Are the burner caps properly aligned and seated in the burner bases?
- Are the burner ports clogged?
- Is a fuse blown or is the circuit breaker tripped?
- Is the manual shut-off valve closed, preventing the flow of gas?

## Data Rating Label

The data rating plate shows the model and serial number of your range. It is located on the frame, behind the oven door (*Figure 35*).

The electric wiring diagrams and schematics are attached behind the toe kick, and should not be removed except by a service technician, then replaced after service (*Figure 35*).

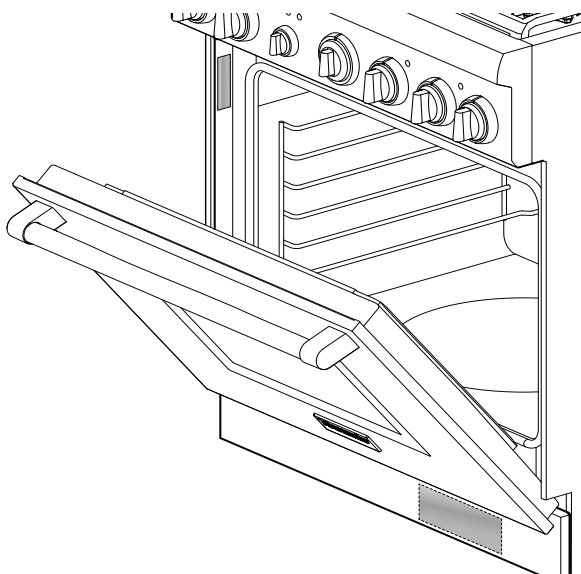


Figure 35: Rating Label Location

### ▲ CAUTION

Before removing the toe kick panel, disconnect the range from the electrical power supply. Reinstall the toe kick panel before reconnecting the range to the power supply and operating the range.

## Service Information

For handy reference, copy the information below from the data rating plate located on the frame, behind the oven door. Keep your invoice for Warranty validation.

**Model Number** \_\_\_\_\_

**Serial Number** \_\_\_\_\_

**Date of Purchase** \_\_\_\_\_

Also, enter this information on the Product Registration Form included with this product.

Register your BSH product to ensure timely service and access to your product related information. You may register your product through one of the following ways:

1. Mail in the completed THERMADOR product registration card.
2. Register your product online at [www.thermador.com](http://www.thermador.com).
3. Call us at THERMADOR customer service at 1-800-735-4328.

## Troubleshooting

SYMPTOM	POSSIBLE CAUSE	REMEDY
Intermittent igniter sparking	<ul style="list-style-type: none"> <li>Ceramic igniter is wet or dirty.</li> <li>Burner ports are clogged.</li> </ul>	<ul style="list-style-type: none"> <li>Carefully dry or clean igniter.</li> <li>Clean ports on burner cap with a wire, a needle or straightened paper clip.</li> </ul>
More than four clicks of igniter before lighting	<ul style="list-style-type: none"> <li>Improper fit of burner cap onto burner base.</li> </ul>	<ul style="list-style-type: none"> <li>Align burner cap properly on burner base.</li> </ul>
Constant igniter sparking	<ul style="list-style-type: none"> <li>Range is not properly grounded.</li> <li>Electrical power supply is incorrectly polarized.</li> </ul>	<ul style="list-style-type: none"> <li>Refer to the <i>Installation Manual</i>. Have a qualified electrician ground the range properly.</li> </ul>
Igniters sparking but no flame ignition.	<ul style="list-style-type: none"> <li>Gas supply valve is in "OFF" position.</li> </ul>	<ul style="list-style-type: none"> <li>Restore gas supply to the unit.</li> </ul>
Range will not operate (lights, oven, and surface burners will not come on)	<ul style="list-style-type: none"> <li>No power to the unit.</li> <li>Oven is in Sabbath Mode.</li> </ul>	<ul style="list-style-type: none"> <li>Check for open circuit breaker.</li> <li>Check that power supply line connection is connected to the proper voltage.</li> <li>Verify that the oven is not in Sabbath Mode. See the Using the Oven section of the <i>Use and Care Guide</i>.</li> </ul>
Oven operates on bake but fails to operate on timed bake	<ul style="list-style-type: none"> <li>Timer improperly set.</li> </ul>	<ul style="list-style-type: none"> <li>Set timer as outlined in the <i>Use and Care Guide</i>.</li> </ul>
Oven light fails to come on.	<ul style="list-style-type: none"> <li>Oven light burned out.</li> </ul>	<ul style="list-style-type: none"> <li>Replace the oven light as outlined in the <i>Use and Care Guide</i>.</li> </ul>
Door will not open.	<ul style="list-style-type: none"> <li>Oven is still in self-clean mode.</li> </ul>	<ul style="list-style-type: none"> <li>If oven is hot, door latch will release when safe temperature is reached.</li> </ul>
Foods in oven are not cooking sufficiently.	<ul style="list-style-type: none"> <li>Rack position is incorrect.</li> <li>Improper cookware.</li> <li>Oven door may not be sealing properly.</li> <li>Appliance not level.</li> </ul>	<ul style="list-style-type: none"> <li>See the Using the Oven section of the <i>Use and Care Guide</i>.</li> <li>Refer to Cookware Recommendations in the <i>Use and Care Guide</i>.</li> <li>Clean the oven door gasket. Replace if worn.</li> <li>Refer to the <i>Installation Manual</i> for instructions on how to level the appliance.</li> </ul>
Hot air is coming from the appliance.	<ul style="list-style-type: none"> <li>It is normal for the cooling process to push heated air out into the room when the oven is on.</li> <li>During different modes the fan speed will increase and decrease.</li> </ul>	<ul style="list-style-type: none"> <li>This is normal.</li> </ul>

# Statement of Limited Product Warranty

## What this Warranty Covers & Who it Applies to

The limited warranty provided by BSH Home Appliances Corporation (BSH) in this Statement of Limited Product Warranty applies only to the THERMADOR® appliance sold to you, the first using purchaser, provided that the Product was purchased:

- For your normal, household (non-commercial) use, and has in fact at all times only been used for normal household purposes.
- New at retail (not a display, "as is", or previously returned model), and not for resale, or commercial use.
- Within the United States or Canada, and has at all times remained within the country of original purchase.

The warranties stated herein apply only to the first purchaser of the Product and are not transferable.

Please make sure to return your registration card; while not necessary to effectuate warranty coverage, it is the best way for BSH to notify you in the unlikely event of a safety notice or product recall.

## How Long the Warranty Lasts

**Product built preceding January 1, 2012 with a number of FD911299999 or lower:** BSH warrants that the Product is free from defects in materials and workmanship for a period of three hundred and sixty-five (365) days from the date of purchase. The foregoing timeline begins to run upon the date of purchase, and shall not be stalled, tolled, extended, or suspended, for any reason whatsoever.

**Product built subsequent to January 1, 2012 with a number of FD920100000 or higher:** BSH warrants that the Product is free from defects in materials and workmanship for a period of seven hundred and thirty (730) days from the date of purchase. The foregoing timeline begins to run upon the date of purchase, and shall not be stalled, tolled, extended, or suspended, for any reason whatsoever.

This Product is also warranted to be free from cosmetic defects in material and workmanship (such as scratches of stainless steel, paint/porcelain blemishes, chips, dents, or other damage) to the finish of the Product, for a period of sixty (60) days from the date of purchase or closing date for new construction. This cosmetic warranty excludes slight color variations due to inherent differences in painted and porcelain parts, as well as differences caused by kitchen lighting, product location, or other similar factors. This

cosmetic warranty specifically excludes any display, floor, "As Is", or "B" stock appliances.

## Repair/Replace as Your Exclusive Remedy

During this warranty period, BSH or one of its authorized service providers will repair your Product without charge to you (subject to certain limitations stated herein) if your Product proves to have been manufactured with a defect in materials or workmanship. If reasonable attempts to repair the Product have been made without success, then BSH will replace your Product (upgraded models may be available to you, in the sole discretion of BSH, for an additional charge). All removed parts and components shall become the property of BSH at its sole option. All replaced and/or repaired parts shall assume the identity of the original part for purposes of this warranty and this warranty shall not be extended with respect to such parts. BSH's sole liability and responsibility hereunder is to repair manufacturer-defective Product only, using a BSH-authorized service provider during normal business hours. For safety and property damage concerns, BSH highly recommends that you do not attempt to repair the Product yourself, or use an un-authorized servicer; BSH will have no responsibility or liability for repairs or work performed by a non-authorized servicer. If you choose to have someone other than an authorized service provider work on your Product, THIS WARRANTY WILL AUTOMATICALLY BECOME NULL AND VOID. Authorized service providers are those persons or companies that have been specially trained on BSH products, and who possess, in BSH's opinion, a superior reputation for customer service and technical ability (note that they are independent entities and are not agents, partners, affiliates or representatives of BSH). Notwithstanding the foregoing, BSH will not incur any liability, or have responsibility, for the Product if it is located in a remote area (more than 100 miles from an authorized service provider) or is reasonably inaccessible, hazardous, threatening, or treacherous locale, surroundings, or environment; in any such event, if you request, BSH would still pay for labor and parts and ship the parts to the nearest authorized service provider, but you would still be fully liable and responsible for any travel time or other special charges by the service company, assuming they agree to make the service call.

## Out of Warranty Product

BSH is under no obligation, at law or otherwise, to provide you with any concessions, including repairs, pro-rates, or Product replacement, once this warranty has expired.

## Warranty Exclusions

The warranty coverage described herein excludes all defects or damage that are not the direct fault of BSH, including without limitation, one or more of the following:

- Use of the Product in anything other than its normal, customary and intended manner (including without limitation, any form of commercial use, use or storage of an indoor product outdoors, use of the Product in conjunction with air or water-going vessels).
- Any party's willful misconduct, negligence, misuse, abuse, accidents, neglect, improper operation, failure to maintain, improper or negligent installation, tampering, failure to follow operating instructions, mishandling, unauthorized service (including self-performed "fixing" or exploration of the appliance's internal workings).
- Adjustment, alteration or modification of any kind.
- A failure to comply with any applicable state, local, city, or county electrical, plumbing and/or building codes, regulations, or laws, including failure to install the product in strict conformity with local fire and building codes and regulations.
- Ordinary wear and tear, spills of food, liquid, grease accumulations, or other substances that accumulate on, in, or around the Product.
- Any external, elemental and/or environmental forces and factors, including without limitation, rain, wind, sand, floods, fires, mud slides, freezing temperatures, excessive moisture or extended exposure to humidity, lightning, power surges, structural failures surrounding the appliance, and acts of God.
- In no event shall BSH have any liability or responsibility whatsoever for damage to surrounding property, including cabinetry, floors, ceilings, and other structures or objects around the Product. Also excluded from this warranty are products on which the serial numbers have been altered, defaced, or removed; service visits to teach you how to use the Product, or visits where there is nothing wrong with the Product; correction of installation problems (you are solely responsible for any structure and setting for the Product, including all electrical, plumbing or other connecting facilities, for proper foundation/flooring, and for any alterations including without limitation cabinetry, walls, floors, shelving, etc.); and resetting of breakers or fuses.

**TO THE EXTENT ALLOWED BY LAW, THIS WARRANTY SETS OUT YOUR EXCLUSIVE REMEDIES WITH RESPECT TO PRODUCT, WHETHER THE CLAIM ARISES IN CONTRACT OR TORT (INCLUDING STRICT LIABILITY, OR NEGLIGENCE) OR OTHERWISE. THIS WARRANTY IS IN LIEU OF ALL OTHER WARRANTIES, WHETHER EXPRESS OR IMPLIED. ANY WARRANTY IMPLIED BY LAW, WHETHER FOR MERCHANTABILITY OR FITNESS FOR A PARTICULAR PURPOSE, OR OTHERWISE, SHALL BE EFFECTIVE ONLY FOR THE PERIOD THAT THIS EXPRESS LIMITED WARRANTY IS EFFECTIVE. IN NO EVENT WILL THE MANUFACTURER BE LIABLE FOR CONSEQUENTIAL, SPECIAL, INCIDENTAL, INDIRECT, "BUSINESS LOSS", AND/OR PUNITIVE DAMAGES, LOSSES, OR EXPENSES, INCLUDING WITHOUT LIMITATION TIME AWAY FROM WORK, HOTELS AND/OR RESTAURANT MEALS, REMODELLING EXPENSES IN EXCESS OF DIRECT DAMAGES WHICH ARE DEFINITELY CAUSED EXCLUSIVELY BY BSH, OR OTHERWISE. SOME STATES DO NOT ALLOW THE EXCLUSION OR LIMITATION OF INCIDENTAL OR CONSEQUENTIAL DAMAGES, AND SOME STATES DO NOT ALLOW LIMITATIONS ON HOW LONG AN IMPLIED WARRANTY LASTS, SO THE ABOVE LIMITATIONS MAY NOT APPLY TO YOU. THIS WARRANTY GIVES YOU SPECIFIC LEGAL RIGHTS, AND YOU MAY ALSO HAVE OTHER RIGHTS WHICH VARY FROM STATE TO STATE.**

No attempt to alter, modify or amend this warranty shall be effective unless authorized in writing by an officer of BSH.



---

# THERMADOR® Support

---

## Service

---

We realize that you have made a considerable investment in your kitchen. We are dedicated to supporting you and your appliance so that you have many years of creative cooking.

Please don't hesitate to contact our STAR™ Customer Support Department if you have any questions or in the unlikely event that your THERMADOR appliance needs service. Our service team is ready to assist you.

**USA:**  
**800-735-4328**  
**[www.thermador.com/support](http://www.thermador.com/support)**

**Canada:**  
**800-735-4328**  
**[www.thermador.ca](http://www.thermador.ca)**

## Parts & Accessories

---

Parts, filters, descalers, stainless steel cleaners and more can be purchased in the THERMADOR eShop or by phone.

**USA:**  
**[www.thermador-eshop.com](http://www.thermador-eshop.com)**

**Canada:**  
**Marcone 800-287-1627**  
**or**  
**Reliable Parts 800-663-6060**

***Thermador*** <sup>®</sup>

**REAL INNOVATIONS FOR REAL COOKS<sup>®</sup>**

1901 Main Street, Suite 600, Irvine, CA 92614 • 800-735-4328 • [www.thermador.com](http://www.thermador.com)  
9001145081 • Rev. A • © BSH Home Appliances Corporation • 03/16