

INSTALLATION INSTRUCTIONS



**THERMADOR PROFESSIONAL® 30" PRO HARMONY® DUAL FUEL
RANGE WITH 5 BURNERS**

Thermador [®]
REAL INNOVATIONS FOR REAL COOKS[®]

INSTALLATION INSTRUCTIONS

THERMADOR PRO HARMONY® 30" DUAL FUEL RANGE

CUISINIÈRES MIXTES THERMADOR PRO HARMONY^{MC} 30"

ESTUFAS DE TODO TIPO DE GAS THERMADOR PRO HARMONY 30"

Models | Modèles | Modelos

PRD305PH

Table of Contents (English).....	2
Table de Matières (Français)	25
Índice de Materias (Español)	48



Thermador 
REAL INNOVATIONS FOR REAL COOKS®

Table of Contents

Safety Instructions	3
Before You Begin	3
Installation	5
Planning Information	5
STEP 1: Ventilation Requirements	5
STEP 2: Cabinet Preparation	6
Specifications	6
STEP 3: Unpacking, Moving and Placing the Range	11
STEP 4: Installing Anti-Tip Device	12
STEP 5: Gas Requirements and Hookup	13
STEP 6: Electrical Requirements, Connection & Grounding	14
STEP 7: Backguard Installation (optional)	17
STEP 8: Door Removal and Reinstallation	20
STEP 9: Placing and Leveling the Range	21
STEP 10: Burner Test	23
Installer Checklist	24
Customer Support, Accessories & Parts	back page

Safety Definitions

⚠ WARNING

This indicates that death or serious injuries may occur as a result of non-observance of this warning.
--

⚠ CAUTION

This indicates that minor or moderate injuries may occur as a result of non-observance of this warning.

NOTICE: This indicates that damage to the appliance or property may occur as a result of non-compliance with this advisory.

Note: This alerts you to important information and/or tips.

This THERMADOR® appliance is made by
BSH Home Appliances Corporation
1901 Main Street, Suite 600
Irvine, CA 92614

Questions?
1-800-735-4328
www.thermador.com

We look forward to hearing from you!

Safety

IMPORTANT SAFETY INSTRUCTIONS **READ AND SAVE THESE INSTRUCTIONS**

Before You Begin

INSTALLER: Save these Instructions for the Local Gas Inspector's use. Please leave these Installation Instructions with this unit for the owner.

OWNER: Please retain these instructions for future reference.

WARNING



ELECTRICAL SHOCK HAZARD

Disconnect power before installing or servicing. Before turning power ON, be sure that all controls are in the OFF position. Failure to do so can result in death or electrical shock.

IMPORTANT:

Local codes vary. Installer is responsible for ensuring that the installation, gas connections, and grounding comply with all applicable codes. Failure to follow appropriate local codes and regulations may void the warranty.

NOTE: This range is NOT designed for installation in manufactured (mobile) homes or Recreational Park Trailers.

Examine the appliance after unpacking it. In the event of transport damage, do not plug it in.

Remove all tape and packaging before using the appliance. Destroy the packaging after install. Never allow children to play with packaging material.

GROUNDING INSTRUCTIONS

This appliance must be grounded. Grounding reduces the risk of electric shock by providing a safe pathway for electric current in the event of a short circuit.

DO NOT install this range outdoors.

WARNING



A child or adult can tip the range over and be killed or seriously injured. Verify that the anti-tip bracket is securely installed. Ensure the anti-tip bracket is engaged when the range is moved.

DO NOT operate the range without the anti-tip bracket in place. Failure to follow the instructions in this manual can result in death or serious burns to children and adults.

Check for proper installation and use of anti-tip bracket. Carefully tip range forward pulling from the back to ensure that the anti-tip bracket engages the range leg and prevents tip-over. Range should not move more than 1" (2.5 cm).

WARNING

If the information in this manual is not followed exactly, a fire or explosion may result causing property damage, personal injury or death.

- **DO NOT** store or use gasoline or other flammable vapors and liquids in the vicinity of this or any other appliance.
- **WHAT TO DO IF YOU SMELL GAS**
 - **DO NOT** try to light any appliance.
 - **DO NOT** touch any electrical switch.
 - **DO NOT** use any phone in your building.
 - Immediately call your gas supplier from a neighbor's phone. Follow the gas supplier's instructions.
 - If you cannot reach your gas supplier, call the fire department.
- Installation and service must be performed by a qualified installer, service agency or the gas supplier.



IMPORTANT SAFETY INSTRUCTIONS

READ AND SAVE THESE INSTRUCTIONS

Gas type verification

FOR MASSACHUSETTS INSTALLATIONS:

1. Installation must be performed by a qualified or licensed contractor, plumber or gas fitter qualified or licensed by the state, province or region where this appliance is being installed.
2. Shut-off valve must be a "T" handle gas cock.
3. Flexible gas connector must not be longer than 36" (914 mm).

Verify the type of gas supplied to the location. Ensure that the appliance is connected to the type of gas for which it is certified. All models are certified for use with natural gas. Field conversion of the appliance for use with propane gas supply will require a conversion kit (PALPKITHP).

Gas Supply

Natural Gas — 6 inch water column. (14.9 mb) min., 14 inch (34.9 mb) maximum

Propane Gas — 11 inch water column. (27.4 mb) min., 14 inch (34.9 mb) maximum

CAUTION

When connecting the unit to propane gas, make certain the propane gas tank is equipped with its own high-pressure regulator in addition to the pressure regulator supplied with the range. The maximum gas pressure to this appliance must not exceed 14.0" water column (34.9 mb) from the propane gas tank to the pressure regulator.

Electric Power Supply

See "STEP 6: Electrical Requirements, Connection & Grounding" on page 14 for specifications.

Check local building codes for the proper method of appliance installation. Local codes vary and it is the responsibility of the installer to ensure installation is in accordance with these codes. Installation, electrical connections and grounding must comply with all applicable codes. In the absence of local codes the appliance should be installed in accordance with the National Fuel Gas Code ANSI Z223.1/NFPA 54 current issue and National Electrical Code ANSI/NFPA 70-current issue. In Canada, installation must be in accordance with the CAN 1-B149.1 and .2 – Installation Codes for Gas Burning Appliances and/or local codes.

This appliance complies with the following standards:

- UL 858, Standard for the Safety of Household Electric Ranges
- ANSI Z21.1, American National Standard for Household Cooking Gas Appliances
- CAN 1-1. 1-M81, Domestic Gas Ranges
- CAN/CSA-C22.2 No. 61, Household Cooking Ranges

It is the responsibility of the owner and the installer to determine if additional requirements and/or standards apply to specific installations.

IMPORTANT:

When installing against a combustable surface, a Low Backguard is optional. A THERMADOR™ Low Backguard must be purchased separately. See Step 7 for backguard, kits and installation information.

Rear clearance to a combustable surface is zero inches (see "Installation Clearances" on page 7).

Refer to *Table 1, Backguard Kit Model Numbers*, for the correct backguard models that are designed for this range. After selecting the correct backguard, the range must be installed properly, using the minimum clearances to combustable surfaces specified in the Cabinet Preparation instructions beginning on page 6.

WARNING

To avoid possible burn or fire hazard, a backguard designed specifically for this range must be installed whenever the range is used.

CAUTION

To eliminate risk of burns or fire caused by reaching over heated surface units, cabinet storage located above the surface units should be avoided.

CAUTION

This unit is designed as a cooking appliance. Based on safety considerations, never use it for warming or heating a room.

WARNING

State of California Proposition 65 Warnings:

This product contains chemicals known to the State of California to cause cancer, birth defects or other reproductive harm.

Installation

Planning Information

Before using your appliance, be sure to read this manual. Pay special attention to the **Important Safety Instructions** located at the beginning of the manual.

Tools Needed	
7/16" box end wrench or ratchet	1/8" (3.17 mm) drill bit
3/16" (4.76 mm) drill bit	12" Adjustable wrench
Hand or electric drill	Tape measure
T-20 Torx screwdriver	Marking instrument
Level	Furniture dolly or air sled
Phillips & flathead screwdrivers	Protective gloves
Items Not Included	
Drywall / Concrete Anchors	Pipe Compound / Tape
Rope/Twine	3/4" (19 mm) Flex Line
2 – NPT Flare Adapters	

STEP 1: Ventilation Requirements

It is **strongly recommended** that this appliance be installed in conjunction with a THERMADOR vent hood. Due to the high heat capability of this unit, particular attention should be paid to the hood and duct work installation to assure it meets local building codes.

Downdraft ventilation should not be used.

IMPORTANT:

Ventilation hoods and blowers are designed for use with single wall ducting. However, some local building codes or inspectors may require double wall ducting. Consult local building codes and/or local agencies, before starting, to assure that hood and duct installation will meet local requirements.

IMPORTANT: There is a possibility to discolor the back wall under certain cooking conditions.

NOTICE: Most range hoods contain combustible components which must be considered when planning the installation.

WARNING

This appliance should not be installed with a ventilation system that directs air in a downward direction toward the range. This type of ventilation system may cause ignition and combustion problems with the appliance resulting in personal injury, property damage, or unintended operation. Ventilating systems that direct the air upwards do not have any restriction.

Ventilation Preparation

1. Select Hood and Blower Models:

- For wall installations, the hood width must, at a minimum, equal the width of the range. Where space permits, a hood larger in width than the range/rangetop may be desirable for improved ventilation performance.
- For island installations, the hood width should overhang the width of the range by a minimum of 3" (76 mm) on each side.
- It is required that a certified hood of not less than 300 CFM be used. The range hood must be installed according to the instructions furnished with the hood.

2. Hood Placement:

- For best smoke elimination, the lower edge of the hood should be installed 30" (762 mm) above the range cooking surface (see "*Installation Clearances*").
- If the hood contains any combustible materials (i.e. a wood covering), it must be installed a minimum of 36" (914 mm) above the cooking surface (see "*Installation Clearances*").

3. Consider Make-Up Air:

- Due to the high volume of ventilation air, a source of outside replacement air is recommended. This is particularly important for tightly sealed and insulated homes. A qualified heating and ventilating contractor should be consulted.

STEP 2: Cabinet Preparation

- The range is a free standing unit. If the unit is to be placed adjacent to cabinets, the clearances shown in “*Installation Clearances*” on page 7 are required. The same clearances apply to island installations, except for the overhead cabinets, which must have a space wide enough to accept the flared island hood.
- Any openings in the wall behind the range and in the floor under the range must be sealed.
- The gas and electrical supply should be within the zones shown in *Figure 4* on page 10.
- When installing against a combustible surface, a Low Backguard is optional. A THERMADOR™ Low Backguard must be purchased separately. See Step 7 for backguard, kits and installation information.
- Rear clearance to a combustible surface is zero inches (see “*Installation Clearances*”).
- When the range is installed against a combustible side wall a minimum clearance of 5" (127 mm) is needed from the side of the range to the wall.
- Always keep appliance area clear from combustible materials, gasoline and other flammable vapors and liquids.
- The maximum depth of overhead cabinets installed on either side of the hood is 13" (330 mm).
- **DO NOT** obstruct the flow of combustion and ventilation air to the unit.
- There is a 36" (914 mm) minimum clearance required between the top of the cooking surface and the bottom of an unprotected cabinet. A 30" (762 mm) clearance can be used when the bottom of the wood or metal cabinet is protected by not less than 1/4" (6 mm) of a flame retardant material covered with not less than No. 28 MSG sheet steel, 0.015" (0.38 mm) thick stainless steel, 0.024" (0.61 mm) aluminum, or 0.02" (0.51 mm) thick copper.

Flame retardant materials bear the mark: UNDERWRITERS LABORATORIES INC. CLASSIFIED MINERAL AND FIBER BOARDS SURFACE BURNING CHARACTERISTICS, followed by the flame spread and smoke ratings. These designations are shown as “FHC (Flame Spread/Smoke Developed).” Materials with “O” flame spread ratings are flame retardant. Local codes may allow other flame spread ratings. It is the responsibility of the installer to ensure installation is in accordance with these ratings.

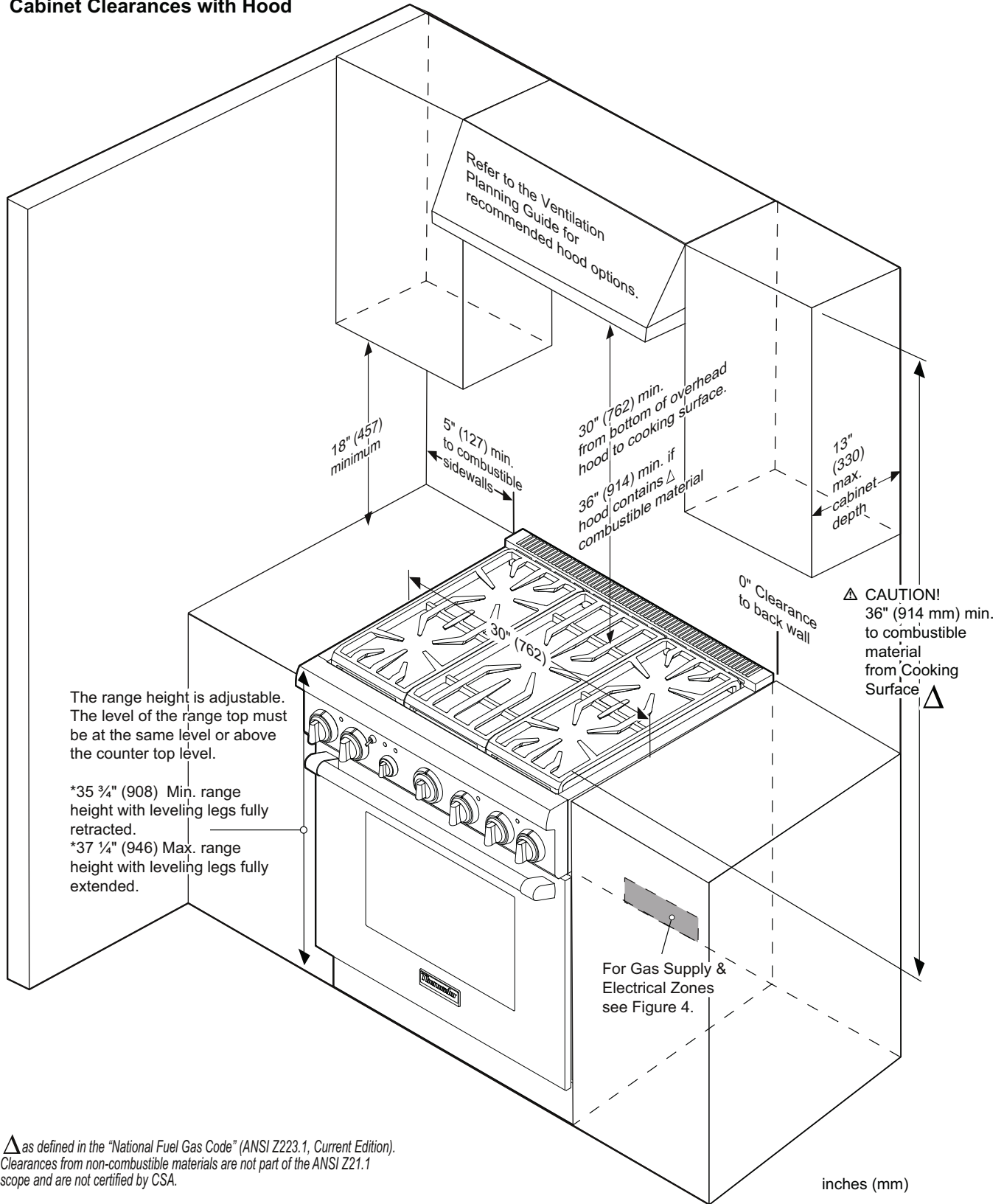
Specifications

Description	30" Dual Fuel
Range width	29-15/16" (760 mm)
Cutout width	30" (762 mm)
Range height	35 7/8" - 36 3/4" (911-933 mm)
Depth from rear to door handle	31 3/8" (797 mm)
Cutout depth	24" (610 mm)
Min. clearance to rear combustible wall*	0" (screw head ~ 4 mm)
Min. clearance to left and right side combustible walls*	5" (127 mm)
Min. clearance to ventilation hood *	Non-combustible area overhead 30" (762 mm)
Gas requirements	Shipped Natural, field convert to LP / Propane with LP Conversion Kit (included). High Altitude Kit for up to 10,100 ft (3,078 m) (included).
Gas manifold pressure	Natural 5.0" W.C.P. / Liquid Propane L/P 10.0" W.C.P.
Electrical requirements	See Electrical Requirements information.
Surface burner rating natural/LP gas	18,000 BTU / 14,000 BTU 15,000 BTU / 11,000 BTU 10,000 BTU / 9,100 BTU 8,000 BTU / 6,000 BTU
Oven interior width	Large oven – 25" (635 mm)
Oven interior height	Large oven – 16 1/4" (413 mm)
Oven interior depth	Large oven – 18 3/8" (467 mm)
Overall oven volume	4.3 cubic feet
Approximate shipping weight	374 lbs (170 kg)

* As defined in the “National Fuel Gas Code” (ANSI Z223.2, Current Edition). Clearances from non-combustible materials are not part of the ANSI Z21.1 scope and are not certified by CSA.

Installation Clearances

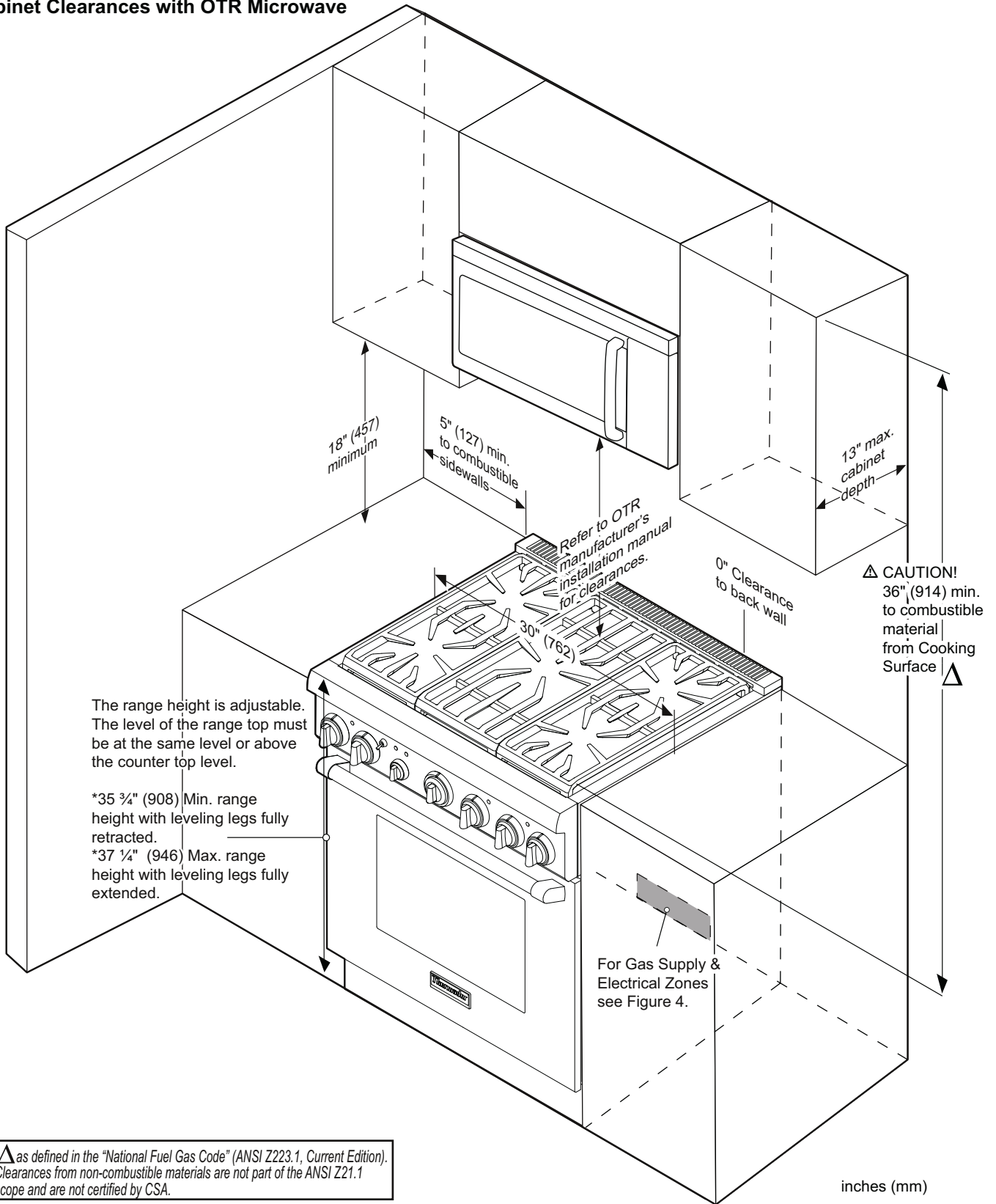
Cabinet Clearances with Hood



Δ as defined in the "National Fuel Gas Code" (ANSI Z223.1, Current Edition). Clearances from non-combustible materials are not part of the ANSI Z21.1 scope and are not certified by CSA.

Figure 1: Cabinet Clearances with a Hood

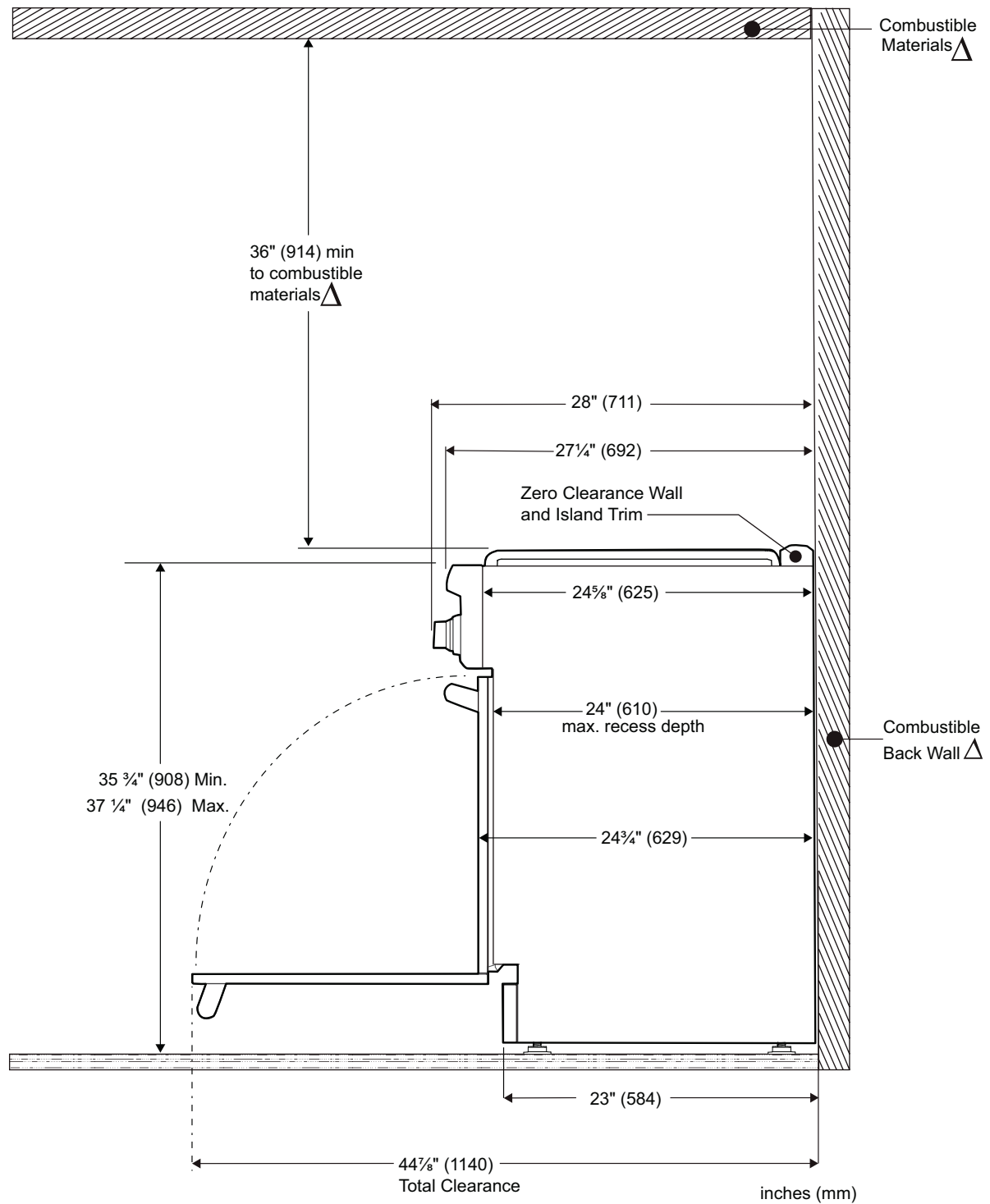
Cabinet Clearances with OTR Microwave



△ as defined in the "National Fuel Gas Code" (ANSI Z223.1, Current Edition). Clearances from non-combustible materials are not part of the ANSI Z21.1 scope and are not certified by CSA.

Figure 2: Installation Clearances with an Over the Range Microwave

Installation Side Clearances



Δ as defined in the "National Fuel Gas Code" (ANSI Z223.1, Current Edition).
Clearances from non-combustible materials are not part of the ANSI Z21.1 scope and are not certified by CSA.

Figure 3: Installation Side Clearances

Gas and Electric Supply Zones

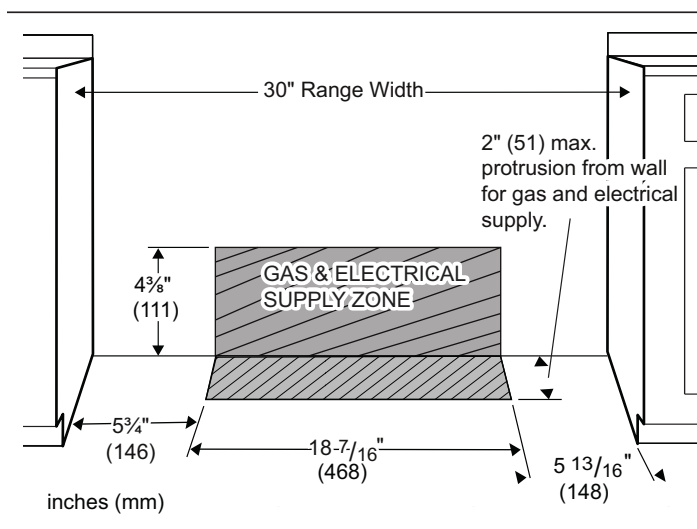


Figure 4: Gas & Electrical Supply Locations

NOTICE:

- If not already present, install gas shut-off valve in an easily accessible location.
- Make sure all users know where and how to shut off the gas supply to the range.
- Any opening in the wall behind the appliance and any opening in the floor under the appliance must be sealed.

This appliance is manufactured ready to install with a supplied 4-wire cord set with plug attached to the appliance. The unit must be properly grounded. Refer to “STEP 6: Electrical Requirements, Connection & Grounding” on page 14 for details.

The range must be connected only to the type of gas for which it is certified. If the range is to be connected to propane gas, ensure that the propane gas supply tank is equipped with its own high pressure regulator in addition to the pressure regulator supplied with the range (See “STEP 5: Gas Requirements and Hookup” on page 13.).

NOTE: The range is designed for flush installation to the back wall. For a successful installation, it may be necessary to reposition the gas supply line and the electrical cord as the range is pushed back to its final position.

- **SUGGESTION:** This may be accomplished by carefully pulling on a rope or twine looped around the gas or electrical supply line as the range is pushed back into its final installed position.

Electrical Supply

Installation of the range must be planned so that rough-in of terminal block for the receptacle or conduit connection will allow maximum clearance to the rear of the unit.

When the power supply cord or conduit is connected to the mating receptacle or terminal block cover, the combined plug/receptacle or terminal block cover/conduit connector should protrude no more than 2" (51 mm) from the rear wall (Figure 5.)

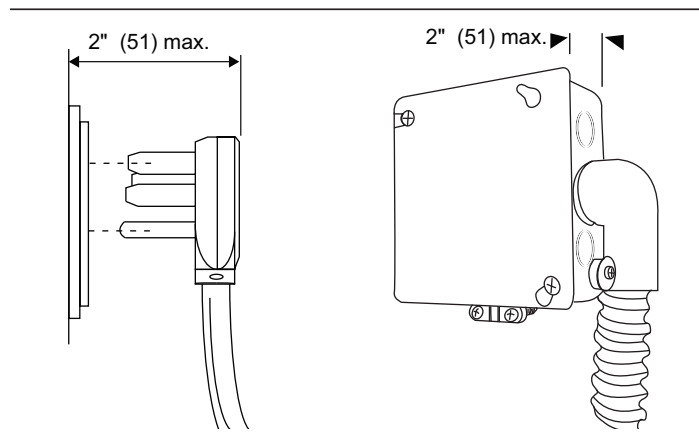


Figure 5: Wall Connection

Refer to Figure 9 on page 15 for location of terminal block on unit. To minimize binding when the unit is connected to the receptacle or terminal block, orient the receptacle or conduit connector, and slide back into position.

When using a receptacle it may be necessary to recess the receptacle's housing into the rear wall. Refer to Local Electrical Code to determine the minimum volume for all electrical / junction boxes. **Follow all local electrical codes.**

Mount the receptacle securely to a wall stud, then seal around the receptacle's housing.

STEP 3: Unpacking and Moving the Range

⚠ CAUTION



DO NOT lift the range by the oven door's handle, as this may damage the door hinges and cause the door to fit incorrectly.



DO NOT lift the appliance by the range's control panel.

The unit is heavy and should be handled accordingly. Proper safety equipment such as gloves and adequate manpower of at least two people must be used in moving the range to avoid injury and to avoid damage to the unit or the floor.

Rings, watches, and any other loose items that may damage the unit or otherwise might become entangled with the unit should be removed.

Hidden surfaces may have sharp edges. Use caution when reaching behind or under appliance.

DO NOT use a hand truck or appliance dolly on the back or front of the unit. Handle from the side only.

Unpacking the Range

NOTE: DO NOT remove control panel foam until unit is completely installed. **DO NOT** lift on the control panel at any point during the installation.

1. Remove the outer carton and packing materials from the shipping pallet but leave the protective film over brushed-metal surfaces, to protect finish from scratches, until the range is installed in its final position.
2. It is recommended that the grates, burner caps and oven racks be removed to facilitate handling. If desired, the oven doors may also be removed (see "*STEP 8: Door Removal and Adjustment*" on page 20).

Moving the Range

Due to the weight, a furniture dolly with soft wheels or an air lift should be used to move this unit. The weight must be supported uniformly across the bottom.

NOTE: STEP 4 through STEP 8 must be completed before the range is placed in its final position. For proper performance, the range must be level. See "*STEP 9: Placing and Leveling the Range*" on page 21 for leveling instructions.

Removing the Pallet Bolts

1. To remove the (4) pallet bolts in the front and in the back, use a 7/16" wrench or ratchet and socket to remove the pallet bolt from the bottom of the pallet. Discard the wood packing block inserts.

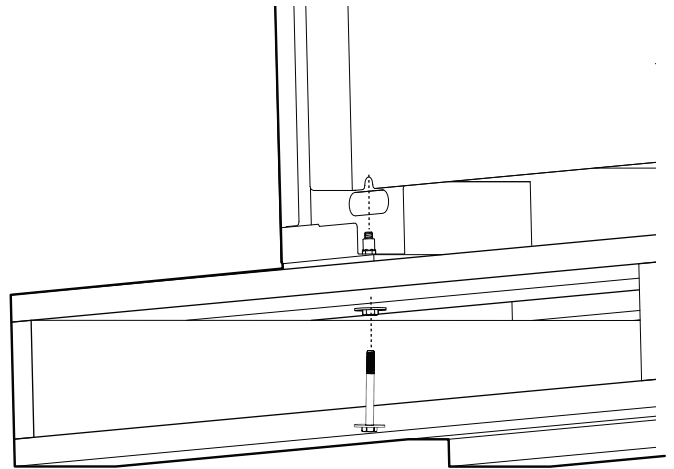



Figure 6: Removal of Shipping Bolts

2. Lift range and remove it from the pallet. Use additional help as required to remove from pallet.
3. Transport the range by furniture dolly close to its final location. Unit should not be dollied from the front.
4. The range can then be tipped back and supported on the rear legs while the dolly is carefully removed. **THE FLOOR UNDER THE LEGS SHOULD BE PROTECTED BEFORE PUSHING THE UNIT INTO POSITION.**

STEP 4: Installing the Anti-Tip Device

For all ranges, an anti-tip device must be installed as per these instructions.

⚠ WARNING	
	<p>RANGE TIPPING HAZARD:</p> <ul style="list-style-type: none"> — All ranges can tip and injury can result. To prevent accidental tipping of the range, attach it to the floor by installing the Anti-Tip Device supplied. — A risk of tip-over may exist if the appliance is not installed in accordance with these instructions. For all ranges an anti-tip device <u>must</u> be installed. — A child or adult can tip the range and be killed. — DO NOT operate the range without the anti-tip device in place and engaged. Failure to do so can result in death or serious burns to children or adults.
	<p>If the range is pulled away from the wall for cleaning, service or for any other reason, ensure that the Anti-Tip Device is properly re-engaged when the range is pushed back against the wall. In the event of abnormal usage (such as a person standing, sitting, or leaning on an open door), failure to take this precaution can result in tipping of the range. Personal injury might result from spilled hot liquids or from the range itself.</p>

⚠ WARNING	
<p>ELECTRICAL SHOCK HAZARD:</p> <ul style="list-style-type: none"> • Use extreme caution when drilling holes into the wall or floor as there may be concealed electrical wires. • Identify the electrical circuits that could be affected by the installation of the Anti-Tip Device, then turn off power to these circuits. • Failure to follow these instructions may result in electrical shock or other personal injury. 	

ATTENTION – PROPERTY DAMAGE

- Contact a qualified installer or contractor to determine the proper method for drilling holes through the wall or floor material (such as ceramic tile, hardwood, etc.)
- **DO NOT** slide the range across an unprotected floor.
- Failure to follow these instructions may result in damage to wall or floor coverings.

Important Installation Information

Service No.	Qty	Description
00415078	4	Screw, Phillips, #10 x 1½"
00647936	1	Anti-Tip Bracket, Floor-Mounted

- Hardware provided is for mounting through standard thickness wood studs. Installers are responsible to provide hardware for other types of mounting situations.
- The anti-tip bracket may be attached to a solid wood surface having a minimum wall thickness of ¾" (19 mm).
- The thickness of the wall or floor may require use of longer screws, available at your local hardware store.
- In all cases, at least two (2) of the bracket mounting screws must be fastened to solid wood surface.
- Use appropriate anchors when fastening the mounting bracket to any material other than hard-wood or metal.

Hole Location Preparation

- For walls, wall studs, or floors composed of solid wood or metal, drill 1/8" (3 mm) pilot holes.
- For walls or floors composed of drywall, sheet-rock or other soft materials, drill 3/16" (5 mm) holes to a minimum depth of 1¾" (45 mm), then tap plastic anchors into each of the holes using a hammer.
- For walls or floors composed of concrete or concrete block, drill 3/16" (5 mm) holes to a minimum depth of 1¾" (45 mm), then tap concrete anchors into each of the holes using a hammer.
- For walls or floors having ceramic tile covering, drill 3/16" (5 mm) holes through the tile only, then drill into the material behind the tile as indicated immediately above.

Mounting the Anti-Tip Bracket

- Place bracket on floor in a position shown in *Figure 7*.
 - Bracket may be used in either corner of the installation area.

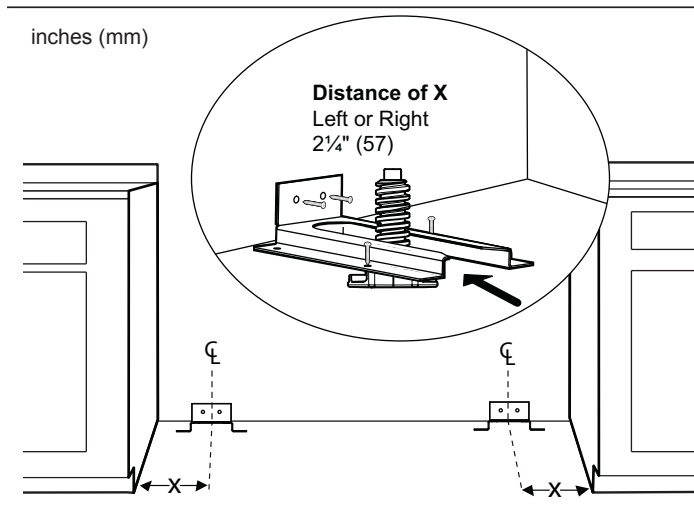


Figure 7: Placement of Anti-Tip Bracket

- Secure to floor and wall stud using the (4) 1½" (38 mm) Phillips head screws provided.
- Later, when the unit is installed, the adjustable leg will slide under the bracket, as shown in *Figure 7*.
- If the range is moved to a new location, the Anti-Tip Device must be removed and reinstalled.

STEP 5: Gas Requirements and Hookup

Verify the type of gas being used at the installation site. **The appliance is shipped from the factory for use with natural gas. It must be converted for use with propane. A qualified technician or installer must do the conversion.** Make certain the range matches the type of gas available at this location.

⚠ CAUTION

When connecting unit to propane gas, make certain the propane gas tank is equipped with its own high pressure regulator in addition to the pressure regulator supplied with the appliance. The pressure of the gas supplied to the appliance regulator must not exceed 14" water column (34.9 mb).

⚠ WARNING

DO NOT use a flame of any kind to check for gas leaks.

This appliance has been CSA certified for safe operation up to an altitude of 2,000 ft (610 m) elevation above sea level.

High Altitude — For altitudes above 2,000 feet (610 m) elevation above sea level, adjustments can be made with the High Altitude Packet included with the unit. If flame performance is satisfactory, the contents in this packet will not be required. It is required that a Certified Professional make the high altitude adjustments during installation.

Propane (LP) Gas Appliances — The appliance must first be converted for use with Propane (LP) Gas before it can be converted for use at high altitude. A Propane (LP) Conversion Kit (PALPKITHP) is required and available for purchase from Thermador Customer Service.

Gas Supply Connection

Natural Gas Requirements

Inlet Connection:	1/2" NPT internal (Minimum 3/4" dia. flex line)
Supply Pressure:	6" min. to 14" max. water column (14.9 to 34.9 mb)
Manifold Pressure:	5" water column (12.5 mb)

Propane Gas Requirements

Inlet Connection:	1/2" NPT internal (Minimum 3/4" dia. flex line)
Supply Pressure:	11" min. to 14" max. water column (27.4 mb to 34.9 mb)
Manifold Pressure:	10" water column (24.9 mb)

⚠ CAUTION

The appliance must be isolated from the gas supply piping system by closing its individual manual shut-off valve during any pressure testing of the gas supply piping system at test pressures equal to or less than 1/2 psig (3.5kPa.).

⚠ WARNING

Gas line must not come in contact with any components inside back cover of range.

The gas supply connections shall be made by a competent technician and in accordance with local codes or ordinances. In the absence of local codes, the installation must conform to the National Fuel Gas Code ANSI Z223.1/ NFPA54- current issue.

1. A manual gas shut-off valve must be installed external to the appliance, in a location accessible from the front, for the purpose of shutting off the gas supply. The supply line must not interfere with the back of the unit. Make sure the gas supply is turned off at the manual shut-off valve before connecting the appliance.
 - The range is supplied with its own pressure regulator that has been permanently mounted within the range body.

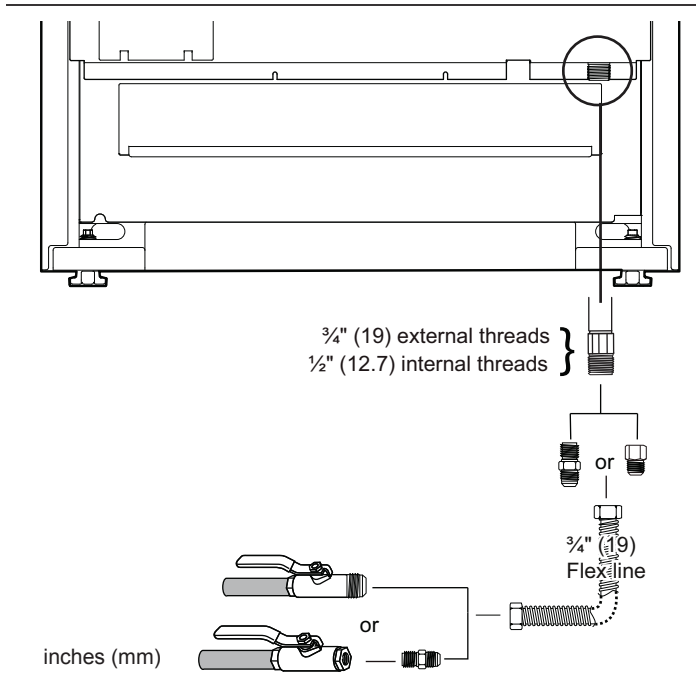


Figure 8: Gas Supply Connection

2. Use a $\frac{3}{4}$ " (19 mm) flex line to connect between the gas supply and the appliance gas inlet. The gas supply line connection is located at the lower right portion (see *Figure 8*). The appliance gas inlet connection is $\frac{1}{2}$ " (12.7 mm) NPT.
 - Use caution to avoid crimping the $\frac{3}{4}$ " (19 mm) flex line when making bends. Suggested length of flex line is 48" (1219 mm); however, please check local codes for your area's requirements before installation.
3. Use pipe sealing compound or Teflon[®] tape on the pipe threads. **DO NOT** apply sealing compound or tape to flare fittings. Take care not to apply excessive pressure when tightening the fittings.
4. Leak testing of the appliance shall be in accordance with the following instructions:
 - Turn on gas and check supply line connections for leaks using a soap and water solution.
 - Bubbles forming indicate a gas leak. Repair all leaks immediately after finding them.

STEP 6: Electrical Requirements, Connection & Grounding

Volt	Circuit	Frequency	Phase
240/208 VAC	40 Amps	60 Hz.	Single

Before installing, turn power OFF at the service panel. Lock service panel to prevent power from being turned ON accidentally.

INSTALLER — show the owner the location of the circuit breaker. Mark it for easy reference.

Prior to servicing appliance, always disconnect appliance electrical supply cord, if so equipped, from wall receptacle. If appliance is hard-wired to power supply, disconnect power to unit by turning off the proper circuit breaker. Lock service panel to prevent power from being turned ON accidentally.

A neutral supply wire must be provided from the power source (breaker) because critical range components, including the surface burner spark re-ignition module, require 120 VAC to operate safely and properly.

⚠ WARNING

An improper 240/208 VAC power supply will cause malfunction, damage to this appliance, and possibly create a condition of shock hazard.

If the correct power supply circuit is not provided, it is the responsibility and obligation of the installer and user to have proper power supply connected. This must be accomplished in accordance with all applicable local codes and ordinances by a qualified electrician. It is the responsibility of the installer to ensure compliance of local codes. In the absence of local codes and ordinances, the power supply connection shall be in accordance with the National Electric Code.

Observe all governing codes and ordinances when grounding. In the absence of these codes or ordinances observe National Electrical Code ANSI/NFPA No. 70 current issue. See the following information in this section for grounding method.

Electrical wiring diagrams and schematics have been placed in the kick panel area of the range for access by a qualified service technician (see *Figure 28 on page 22*).

The ranges are to be connected to a 240/208 VAC power supply.

Dual Fuel models must be connected to the power supply utilizing one of the following methods. For all methods of connection, the length of the cord or conduit/wiring must allow the unit to be slid completely out of the cabinet without having to unplug or disconnect the unit from the power supply.

Recommended minimum free length of cord or conduit is 4ft (1.2 m). Electrical installations and grounding must be in accordance with all local codes and ordinances, and/or the National Electric Code, as applicable.

Permanent Connection (Hard Wiring)

This appliance is manufactured ready to install with a supplied 4-wire cord set with plug attached to the appliance. However, units may be hard wired to the power supply. If the appliance is to be hard wired, the 4-wire cord set must be removed from the terminal block.

It is the responsibility of the installer to provide the proper wiring components (conduit, wires, etc.) and complete the electrical connection as dictated by local codes and ordinances, and/or the National Electrical Code. It is the responsibility of the installer to provide the approved flexible aluminum conduit, 3/4" (19 mm) trade size, maximum 6 ft (1.8 m) long.

WARNING

Improper connection of aluminum house wiring can result in a fire or shock hazard. Use only connectors designed and certified for connecting to aluminum wire.

Locate the terminal block on the rear of the unit and remove cover (refer to *Figure 9*). The conduit must be installed to the terminal block using an approved conduit connector. The free end of the conduit must be connected to a terminal block provided in the electrical supply zone, as shown in *Figure 4 on page 10*.

Mount a strain relief (not provided) into the 1" (25.4 mm) diameter hole located below the terminal block (see *Figure 9*). Wiring for the unit is to be brought into the terminal block through the conduit and through the strain relief. The ends of the wiring must have 1/4" (6 mm) faston closed-loop lugs attached, preferably soldered in place. Make the connections to the terminal block provided.

If aluminum supply wiring exists in the installation, splice the aluminum house wiring with appropriate-thickness gauge copper wire for adapting to the range, using special connectors designed and certified for joining copper and aluminum wire. Follow the connector manufacturer's recommended installation procedure.

4-Wire Connection

This appliance is manufactured ready to install with a supplied 4-wire cord set with plug attached to the appliance. If the cord is damaged or must be replaced, use a Listed (UL, CSA, ...) 3-POLE, 4-CONDUCTOR cord kit rated 125/250 VOLTS, 50 AMPERES DEDICATED CIRCUIT, and marked for use with ranges.

The cord kit must be attached to the range terminal block with a strain relief (not provided) which will fit a 1" (25.4 mm) diameter hole. If not already equipped, the cord must also have 1/4" (6 mm) faston closed-loop lugs attached to the free ends of the individual conductors, preferably soldered in place.

1. Locate the terminal block on the rear of the unit and remove cover (see *Figure 9*).
2. Remove upper nuts only from the terminal block studs. **DO NOT** remove lower nuts which secure range internal wiring leads.
3. Mount strain relief (not provided with range) into the 1" (25.4 mm) diameter hole in the back panel located below the terminal block. Route wires up through strain relief.

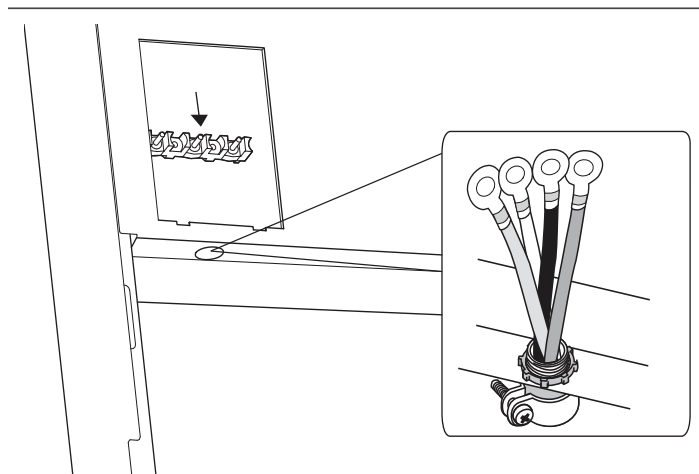


Figure 9: Strain Relief Location

- Secure the neutral, grounded wire of the supply circuit, to the center stud of the terminal block with nut (see *Figure 10*).

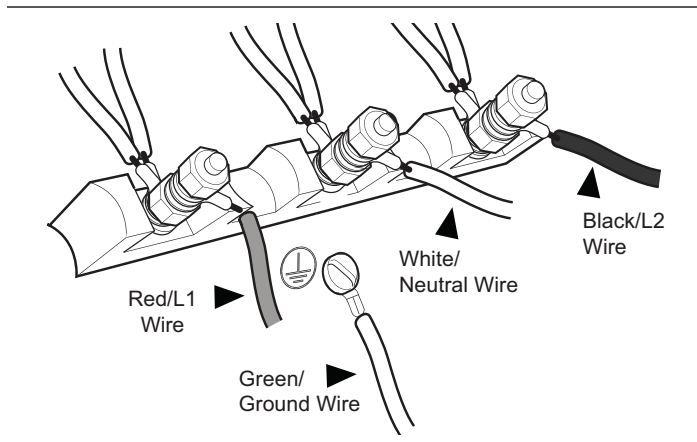


Figure 10: 4-Wire Connection

- Secure the L1 (red) and L2 (black) power leads to the outside terminal studs (brass colored) with nuts.
- Remove green ground screw located beneath the terminal block. Discard white wire.
- Secure the bare copper ground lead to the range chassis using the ground screw previously used for the white wire. Be sure that neutral and ground terminals do not touch.
- Tighten all connections securely.
- Reinstall the terminal block cover.

3-Wire Lead Connection

This appliance is manufactured ready to install with a supplied 4-wire cord set with plug attached to the appliance. However, where local codes and ordinances permit grounding through neutral, and conversion of supply to 4-wire is impractical, the unit may be connected to the power supply with a Listed (UL, CSA, ...) 3-POLE, 3-CONDUCTOR cord kit rated 125/250 VOLTS, 50 AMPERES DEDICATED CIRCUIT, and marked for use with ranges.

If a 3-wire power supply connection must be used, the 4-wire cord set must be removed from the terminal block. It is the responsibility of the installer to provide the proper wiring components (cord, wires, etc.) and complete the electrical connection as dictated by local codes and ordinances, and/or the National Electrical Code.

The cord kit must be attached to the range back panel with a strain relief which will fit a 1" (25.4 mm) diameter hole. If not already equipped, the cord must also have 1/4" (6 mm) faston closed-loop lugs attached to the free ends of the individual conductors, preferably soldered in place.

- Locate the terminal block on the rear of the unit and remove cover.

- Remove upper nuts only from the terminal block studs. **DO NOT** remove nuts which secure range internal wiring leads.
- Mount strain relief (not provided with range) into the 1" (25.4 mm) diameter hole in the back panel located below the terminal block (see *Figure 11*). Route wires up through strain relief.

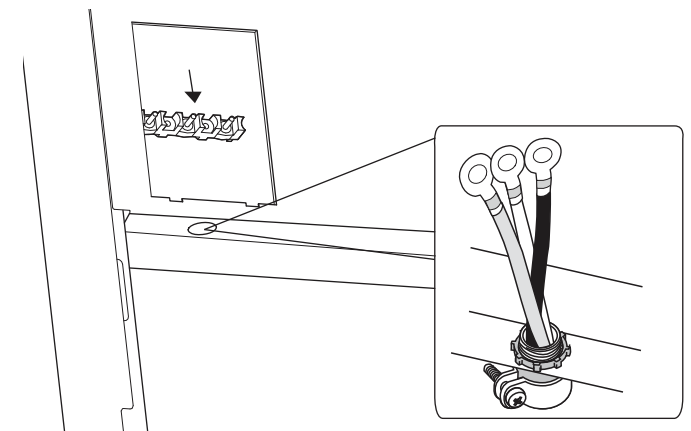


Figure 11: Strain Relief Location

- Secure the neutral, grounded wire of the supply circuit, to the center stud (silver colored) of the terminal block (see *Figure 12*).
- Secure the L1 (red) and L2 (black) power leads to the outside corresponding terminal block studs (brass colored).
- Remove the green ground screw located beneath the terminal block. Screw one end of the included white jumper wire to the chassis beneath the terminal block with the green ground screw. Secure the other end of the wire to the center stud of the terminal block with nut, as shown in *Figure 12*.
- Tighten nuts securely.

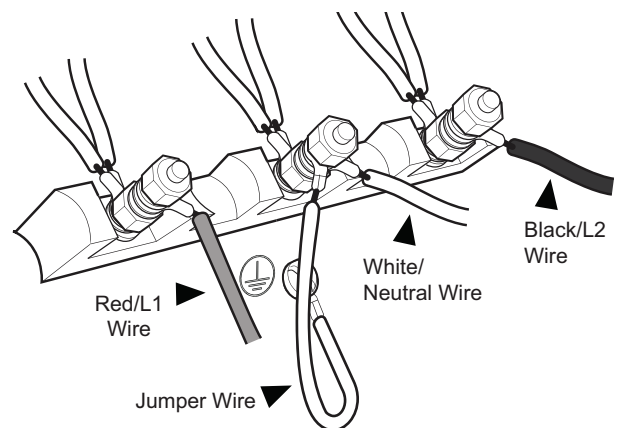


Figure 12: 3-Wire Connection

- Reinstall the Terminal Block Cover.

STEP 7: Backguard Installation (optional)

Keep Hot Shelf	Backsplash	9" Low Back
KHS30QS	PA30JBS	PA30GLBH

Table 1: Backguard Kit Model Numbers

⚠ WARNING

Fingers or hands could get pinched when installing the backguard. Severe injury could result. Use extreme caution and wear thick protective gloves to avoid potential laceration to finger or hand while sliding the backguard down onto the range.

⚠ WARNING

To reduce the risk of fire or injury to persons, check to make sure all packaging has been removed from accessory devices before use.

Installation methods will vary upon need. Before you begin read these instructions carefully. Observe all local codes and ordinances.

Backsplash Installation (PA30JBS)

Tools Needed

Phillips screwdriver or drill

Tape measure

Protective work gloves

The Backsplash must be installed prior to installing an overhead hood given that the hood shell covers the top mounting screws of the Backsplash.

To protect against scratches, leave protective film on the Backsplash until after installation is complete.

If range is already installed, refer to the manufacturer's instructions to disconnect gas and power supplies. Move range forward to gain access to rear of unit.

1. Locate and lightly mark wall studs. Wall studs are usually installed with a 16" or 24" (406 or 610 mm) space on center.

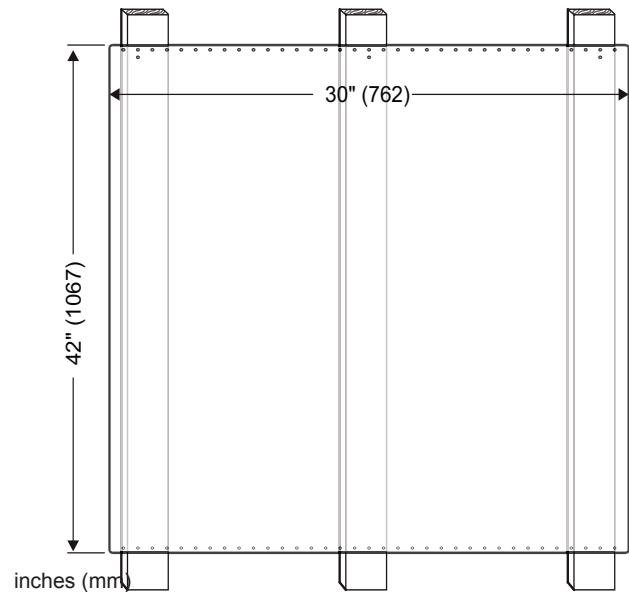


Figure 13: Backsplash Installation

2. The height of the hood will determine the height of the top edge of the Backsplash. The Backsplash should be mounted so that the bottom rear edge of the hood overlaps the Backsplash 1/2" (38 mm).
3. Per each wall stud, use two (2) 1" (25.4 mm) Phillips head screws to secure both the top and bottom of the Backsplash (see Figure 13). Space screws evenly across top and bottom of Backsplash.
 - Due to variable wall stud widths and varying Backsplash widths, in some cases only one wall stud may be found at the mounting location.
4. Remove protective plastic.

Installing a Backsplash with a Keep Hot Shelf

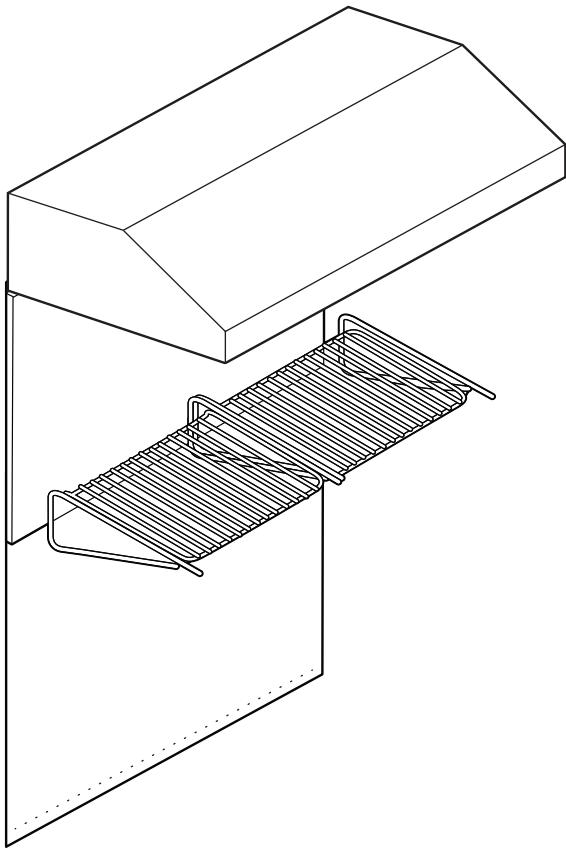


Figure 14: Backsplash with a Keep Hot Shelf

A hood can be installed first if the Backsplash is to be installed with a Keep Hot Shelf given that the Keep Hot Shelf covers the top mounting screws of the Backsplash.

To protect against scratches, leave protective film on the Backsplash until after installation is complete.

If range is already installed, refer to the manufacturer's instructions to disconnect gas and power supplies. Move range forward to gain access to rear of unit.

1. Locate wall studs. Wall studs are usually installed with a 16" (406 mm) or 24" (610 mm) space on center.
2. The height of the hood will determine the height of the top edge of the Backsplash. The Backsplash should be mounted so that the bottom rear edge of the Keep Hot Shelf overlaps the Backsplash 1½" (38 mm).

3. At the locations indicated in *Figure 15*, mount the lower shelf brackets included with the Keep Hot Shelf through the Backsplash and into the wall studs.
 - Due to variable wall stud widths and varying Backsplash widths, in some cases, only one wall stud may be found at the mounting location.

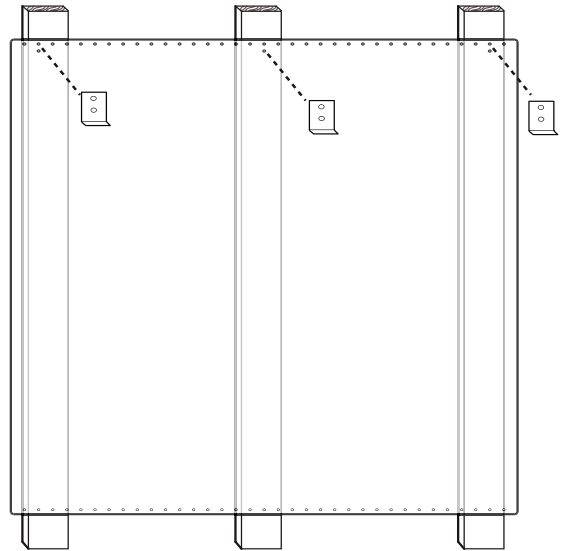


Figure 15: Backsplash with a Keep Hot Shelf

4. Remove Backsplash protective covering.
5. Start with the Keep Hot Shelf Installation.

Keep Hot Shelf (KHS30QS)

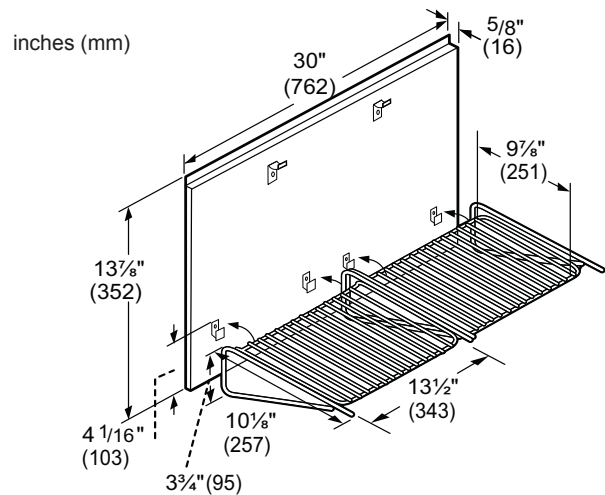

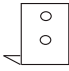


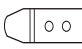

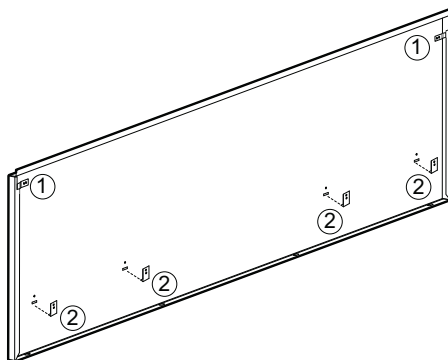


Figure 16: Keep Hot Shelf

Items Included	
 10 – 1" (25.4) screws 4 – ½" (12.7) screws	 4 – Lower shelf brackets
 3 – U-Nuts	 2 – Racks
 2 – Upper shelf brackets	 1 – Wall Plate
1 – Installation guide & templates	

Tools Needed	
Tape measure	Phillips screwdriver or drill
Painter's Tape	Sharp knife or scissors

- Tape the templates included with the Keep Hot Shelf to the wall accordingly:
 - Tape the sheet titled Left Hand Template to bottom and left end of hood. Align the bottom line of hood with the top line of the template.
 - Tape the sheet titled Right Hand Template to bottom and right end of hood. Align the bottom line of hood with the top line of the template.
 - Tape the sheet titled Installation Instruction so that the arrow at the top of the template aligns with hood centerline. Align the bottom line of the hood with the top line of the template.
 - Left to right sides of the template must be equal to length of shelf.
- Mount the (2) upper shelf brackets and the (3) lower shelf brackets.
- Cut template out from around the brackets and remove from the wall. Do not discard template before the Keep Hot Shelf is completely installed.
- Insert U-Nuts onto each of the lower shelf brackets.
- Install the wall plate by setting the corner notches (back of wall plate) atop the (2) upper shelf brackets.
- Slide the shelf upwards until the bottom engages with the lower brackets (*Figure 17*).



1 – Upper Shelf Bracket 2 – Lower Shelf Bracket

Figure 17: Back of Wall Plate

- Check if the top is properly secured by pulling the top section of the shelf from the wall.
- Secure to bottom of shelf with the (4) ½" (12.7 mm) screws provided.

Low Backguard Installation

Tools Needed
T-20 Torx head screwdriver or drill
Protective Work Gloves

NOTE: If a Backsplash is to be used in addition to a backguard, install the Backsplash first and the backguard second before sliding range into place.

When installing against a combustible surface, a Low Backguard is optional. A THERMADOR™ Low Backguard must be purchased separately. See "*Installation Clearances*" on page 7.

- Remove the (3) Torx stainless screws in the front face of the included Zero Clearance Wall Trim.

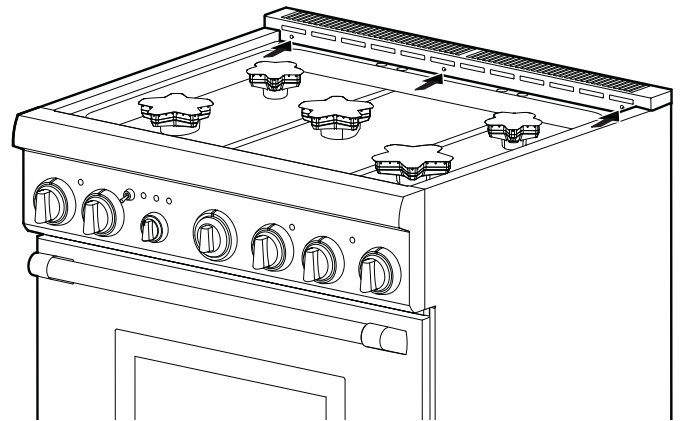


Figure 18: Front Face Screw Removal

- Remove the (4) drill point screws securing the trim to the side panels, and the (3) drill point screws securing the piece to the back panel. Lift up to fully remove.

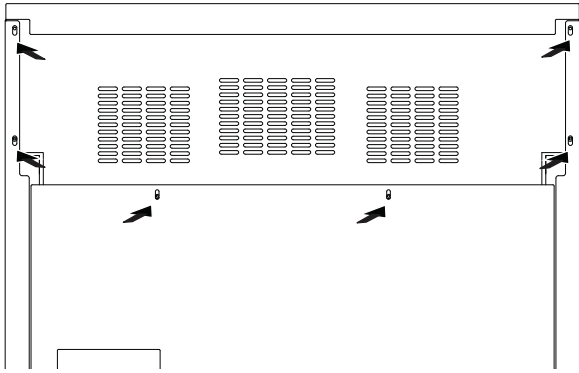


Figure 19: Rear Screw Removal

- Align the back panel of the new accessory with the flanges on the range side panels right and left rear corners. The backguard is inserted inside the guide channels on the back of the range.

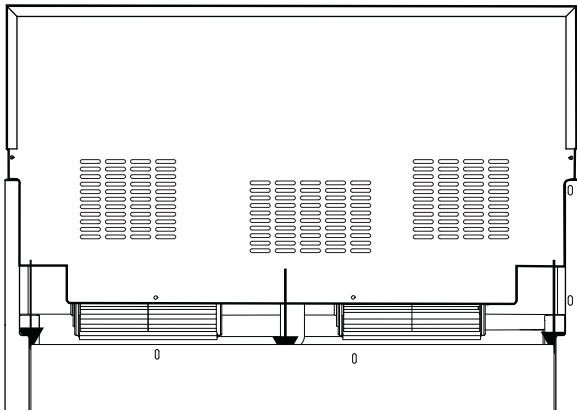


Figure 20: Backguard Installation

- Make sure the backguard's front face is outside the flange on the front side of the range.

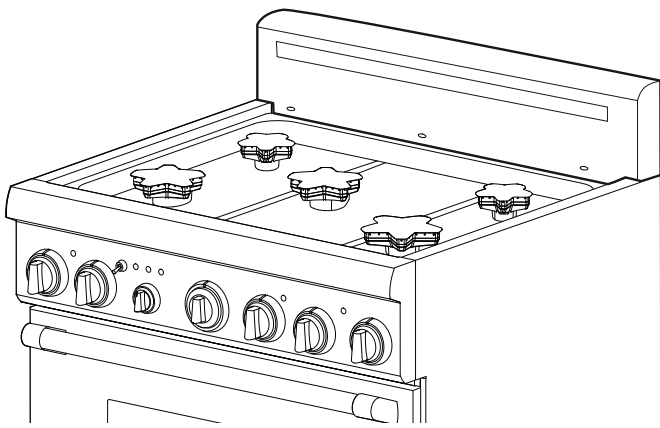


Figure 21: Low Back Front View

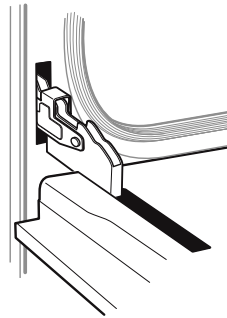
- Re-install screws removed in Steps 1 and 2.

STEP 8: Door Removal and Adjustment

⚠ CAUTION

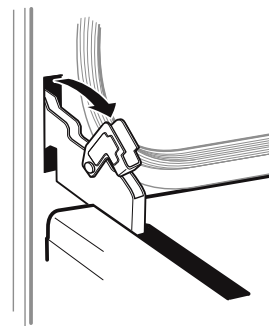
- USE CAUTION WHEN REMOVING THE DOOR. THE DOOR IS VERY HEAVY.
- Make sure oven is cool and power to the oven has been turned off before removing the door. Failure to do so could result in electrical shock or burns.
- The oven door is heavy and fragile. Use both hands to remove or replace the door.
- Failure to grasp the oven door firmly and properly could result in personal injury and product damage.
- With the door off, never release the levers and try to close the hinges. Without the weight of the door, the powerful springs will snap the hinges closed with great force.

To Remove the Oven Door



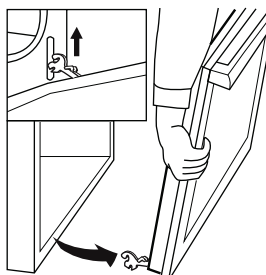
- Be sure to read the above CAUTION before attempting to remove the door.

- Open the door fully.



- Flip hinge clip down. A screwdriver may be required to carefully pry the clip back.

- Close the door gently until it stops against the hinge clips. The open hinge clips will hold the door open at a slight angle, about 30°, from the closed position.

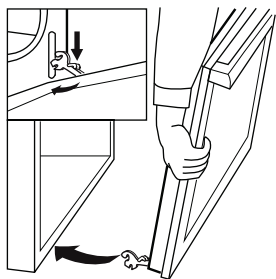


- Grasp the door firmly on the ends of the door. Lift the door up and out. There will be some spring resistance to overcome.

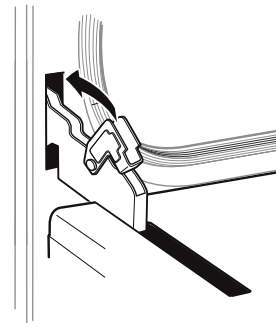
- Place the door in a safe and stable location.

Figure 22: Door Removal

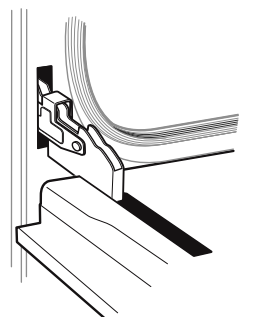
To Reinstall the Oven Door



1. Hold the door firmly in both hands.
2. Hold the door at a 30° angle from the closed position. Insert hinges centered evenly into the hinge slots. The hinges will securely hook into the slots when properly installed. **DO NOT** force, bend or twist the door.



3. Open door fully to expose hinges, levers, and slots.
4. Flip the hinge forward and down until seated on the bracket. A screwdriver may be required to carefully push the clip back.



5. Close and open the door slowly to ensure it is correctly and securely in place.

Figure 23: Door Install

To Check Door Fit and Operation

1. Open and close the door slowly to test the movement and the fit of the door to the oven cavity. Do not force the door to open or close. If the door is properly installed, it should move smoothly and rest straight on the front of the range when closed.
2. The range must be level for proper alignment of the oven doors, see “STEP 9: Placing and Leveling the Range”.
3. If the door does not operate correctly, verify that the hinges are properly seated into the hinge slots, and that the hinge clips are fully engaged into the slots.

4. If door or handle appears slightly tilted, you may adjust the hinge receiver by rotating the large Torx-head screw located directly below the hinge receiver with a T-20 Torx driver. Rotate each screw respective to its side and direction the door needs to be adjusted.

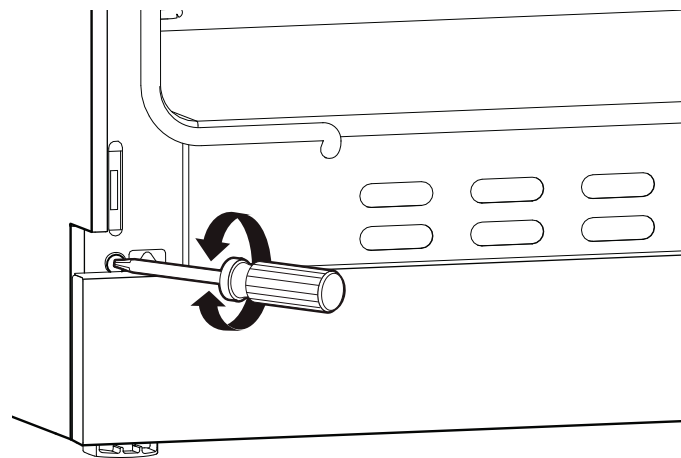


Figure 24: Hinge Receiver Adjustment Screw

STEP 9: Placing and Leveling the Range

Leveling Leg Adjustment

⚠ CAUTION

The top edges of the range's side panels must be on the same or higher level as the adjacent countertop. **DO NOT** operate range if sides are lower than the adjacent cabinet. If the range is operated while at a lower height relative to the adjacent cabinet, the cabinet could be exposed to excessive temperatures, causing damage to the cabinet and countertop (see *Figure 25*).

For proper performance, the range must be level. Priority should be placed on ensuring that the oven cavities are also level for optimum cooking performance.

1. Measure the countertop heights first with a tape measure and add an additional 1/16" - 1/8" (2-3 mm). Leveling legs should be adjusted so that the range sides are at the same or higher level as the adjacent cabinet. Adjust the legs accordingly prior to pushing the range back to its final location (see *Figure 25*).

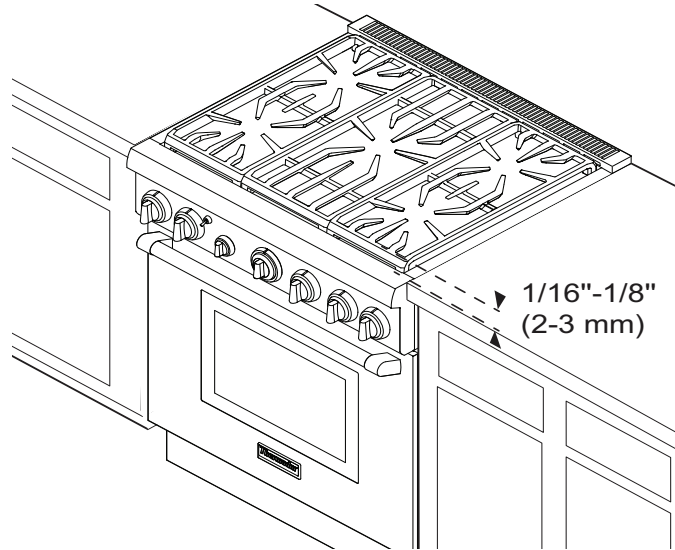


Figure 25: Adjusting the Height of the Range

2. Rotate the legs using a 12" (305 mm) adjustable wrench on the flat sides of each foot. Progression of the height adjustments should be alternated proportionally between the four corner legs, until the top edges of the range's side panels are close to matching the counter top height.

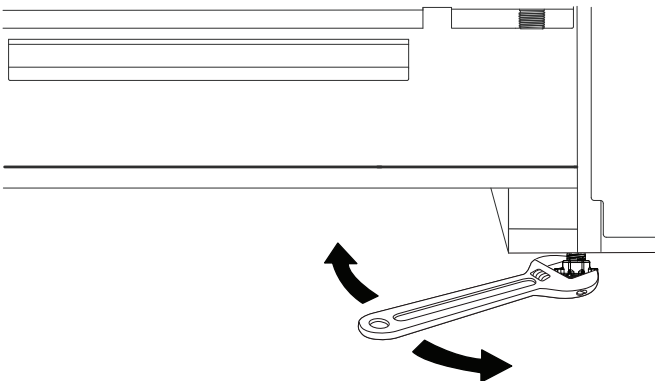


Figure 26: Leveling Legs

3. Final height adjustments of the two rear legs take place before moving the range into its installed position in the cabinet.
4. As the range is moved into its final, installed position, verify that the Anti-Tip Bracket is in a position to engage the leg (see "STEP 4: Installing the Anti-Tip Device" on page 12). This can be verified by viewing through the opening near the floor.
5. With the range in the installed position, the final height adjustments are made to the two front legs to ensure proper alignment to the counter top.

Adjusting the Kick Panel

To adjust the kick panel do the following:

1. Remove the kick panel screws using a T-20 Torx screwdriver.
2. Relocate kick panel at one of the five screw hole positions, as noted below. Reinstall Torx screw.

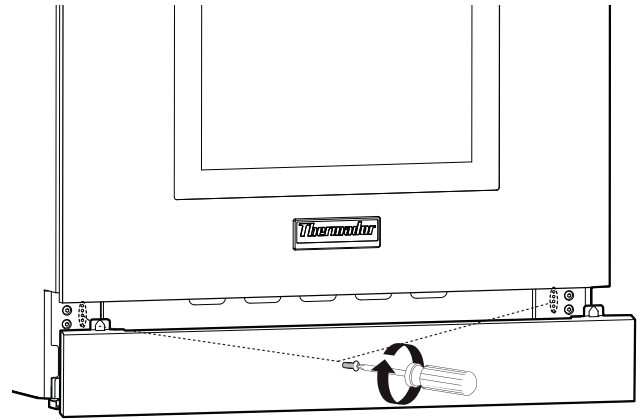


Figure 27: Kick Panel Adjustment

3. Repeat with the remaining kick panel screws, assuring kick panel is level.
 - The range kick panel should maintain a minimum 1/2" (12.7 mm) clearance above the floor.

Data Rating Label and Wiring Diagram

Data rating labels contain the model and serial numbers. They can be found under the front edge of the rangetop, with oven door open or removed.

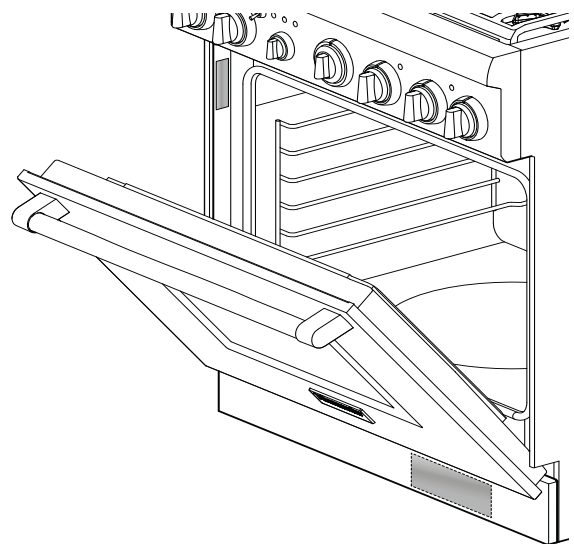


Figure 28: Data Rating Label Location

The electric wire diagrams and schematics are attached behind the kick panel, and should not be removed except by a service technician, then replaced after use.

STEP 10: Burner Test

Install any loose components, such as burner caps and grates, that may have been removed earlier. Be certain that burner caps seat properly into the burner bases. Before testing operation of the appliance, verify that the unit and the gas supply have been carefully checked for leaks and that the unit has been connected to the electrical power supply. Turn the manual gas shut-off valve to the open position.

NOTICE: All oven knobs and selectors must be set to OFF before powering up the range. To prevent unintended operation at power up, please set all oven knobs to OFF. To ensure customer safety in the event of power failure, the unit will display an error message upon reinstatement of power unless all oven knobs are set to OFF. Set all oven knobs to OFF and reset the breaker to clear the message.

Test Rangetop Burners

Test Burner Ignition

Select a rangetop burner knob. Push in and turn counterclockwise to HI. The ignitor/spark module will produce a clicking sound. Once the air has been purged from the supply lines, the burner should light within four (4) seconds.

Test Flame: High Setting

Turn burner on to HI. See *Figure 29* for appropriate flame characteristics.

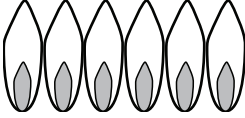
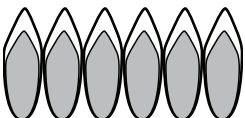
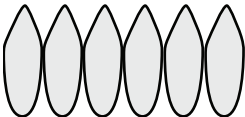
If any of the rangetop burners continue to burn mostly or completely yellow, verify that the burner cap is positioned properly on the burner base, then retest. If flame characteristics do not improve, call THERMADOR service.

Test Flame: Simmer Setting

Turn burner on to SIM. Verify that the flame completely surrounds the burner. There should be a flame at each burner port and there should be no air gap between the flame and the burner. Fan each of the flames out and allow to reignite to verify burner reignition. If any burners do not carry over, call THERMADOR service.

The XLO[®] feature of some of the rangetop burners will make the flame to cycle on and off when the knob is set to the XLO range. This is normal operation.

Repeat the Ignition and Flame Test procedures, described for each rangetop burner.

<p>Yellow Flames: Further Adjustment is required.</p>	
<p>Yellow Tips on Outer Cones: Normal for LP Gas</p>	
<p>Soft Blue Flames: Normal for Natural Gas</p>	

If the flame is completely or mostly yellow, verify that the regulator is set for the correct fuel. After adjustment, retest.

Some orange-colored streaking is normal during the initial start-up. Allow unit to operate 4-5 minutes and re-evaluate before making adjustments.

Figure 29: Flame Characteristics

When Flame is Properly Adjusted:

There should be a flame at each burner port. There should be no air gap between the flame and burner port.

Call THERMADOR[®] service if:

1. Any of the burners do not light.
2. Any of the burners continue to burn yellow.

Installer Checklist

Final Check

- _____ Specified clearances maintained to cabinet surfaces.
- _____ Unit level – front to back – side to side.
- _____ Burner caps positioned properly on burner bases.
- _____ All packaging material removed.
- _____ Kick panel in place and screws secure.
- _____ Verify flame at each burner. The flame should appear as described in Step 10. Flame may need to burn for several minutes to remove impurities from the gas lines.
- _____ Verify that the ExtraLow[®] feature works and relights around the entire burner.

Gas Supply

- _____ Gas Connection: 3/4" (19 mm) N.P.T. with a min. 3/4" (19 mm) diameter flex line.
- _____ The appliance is connected only to the type of gas for which it is certified for use.
- _____ Manual gas shut off valve installed in an accessible location (without requiring removal of range). Owner is aware of location of the gas shut-off valve.
- _____ Unit tested and free of gas leaks.
- _____ If used on propane gas, verify that the propane gas supply is equipped with its own high pressure regulator in addition to the pressure regulator supplied with the appliance.
- _____ Gas supply pressure does not exceed 14" W.C. (34.9 mb).

Electrical

- _____ Receptacle with correct over-current protection is provided for service cord connection.
- _____ Proper ground connection.
- _____ Owner is aware of location of the main circuit breaker.

Operation

- _____ Bezels centered on burner knobs, and knobs turn freely.
- _____ Each burner lights satisfactorily, both individually and with other burners operating.
- _____ Oven door hinges seated and hinge locks in proper position. Oven handle and door is level and centered. Door opens and closes properly.
- _____ Burner grates correctly positioned, level, and do not rock.
- _____ **INSTALLER:** Write the model number and serial number (see "Data Rating Label Location" on page 22 for location) in the Use and Care Guide. Leave the Use and Care Guide and Installation Manual with the owner of the appliance.

Clean and Protect Exterior Surfaces

- Always wipe in the direction of the stainless steel grain.
- To condition and protect stainless steel, use the Thermador Stainless Steel Conditioner, which can be purchased in the Thermador eShop (www.thermador-eshop.us)
- For discolorations or deposits that persist, refer to the Use and Care Guide.
- **DO NOT** allow deposits to remain for long periods of time.
- **DO NOT** use ordinary steel wool or steel brushes. Small bits of steel may adhere to the surface causing rust.
- **DO NOT** allow salt solutions, disinfectants, bleaches or cleaning compounds to remain in contact with stainless steel for extended periods. Many of these compounds contain chemicals which could prove harmful. Rinse with water after exposure and wipe dry with a clean cloth.

Troubleshooting

See Use and Care Guide for troubleshooting information.

Table des matières

Consignes de Sécurité	26
Avant de commencer	26
Consignes d'Installation	28
Renseignements de planification	28
ÉTAPE 1 : Exigences pour la ventilation	28
ÉTAPE 2 : Préparation de l'emplacement de l'armoire	29
Spécifications	29
ÉTAPE 3 : Déballage, manutention et mise en place de la cuisinière	34
ÉTAPE 4 : Installation du dispositif antibascule	35
ÉTAPE 5 : Exigences de l'alimentation du gaz et raccordement	36
ÉTAPE 6 : Exigences électriques, connexions et mise à la terre	37
ÉTAPE 7 : Installation du dossier	40
ÉTAPE 8 : Retrait et installation de la porte	43
ÉTAPE 9 : Mise en place et nivelage de la cuisinière	44
ÉTAPE 10 : Test des brûleurs	46
Liste de vérification à l'intention de l'installateur	47
Entretien, Pièces et Accessoires	page verso

Définitions concernant la sécurité

⚠ AVERTISSEMENT

Ceci indique que le non respect de cet avertissement peut entraîner des blessures graves, voire la mort.

⚠ ATTENTION

Ceci indique que le non respect de cet avertissement peut entraîner des blessures légères ou modérées.

NOTICE : Ceci indique que la non-conformité à cet avis de sécurité peut entraîner des dégâts à l'appareil ou à la propriété.

Note : Ceci vous avertit que d'importantes informations et/ou conseils sont fournis.

Cet appareil électroménager de THERMADOR^{mc}
est fait par BSH Home Appliances Ltd
6696 Financial Drive, Unit 3
Mississauga, ON L5N 7J6

Des questions?

1-800-735-4328
www.thermador.ca

Nous attendons de vos nouvelles!

Consignes de sécurité



CONSIGNES DE SÉCURITÉ IMPORTANTES LISEZ ET CONSERVEZ CES INSTRUCTIONS

Avant de commencer

INSTALLATEUR : Conservez ces instructions pour l'inspecteur de la société gazière de votre localité. Veuillez laisser ces instructions d'installation avec l'appareil pour le propriétaire.

PROPRIÉTAIRE : Veuillez conserver ces instructions pour consultation ultérieure.

AVERTISSEMENT



Coupez l'électricité avant d'installer l'appareil. Avant de rétablir l'électricité, assurez-vous que toutes les commandes sont à la position OFF.

AVERTISSEMENT

Si les directives du présent manuel ne sont pas respectées scrupuleusement, des incendies ou des décharges électriques pourraient être à l'origine de dommages matériels ou de blessures corporelles, ou même entraîner la mort.

- N'entreposez pas et n'utilisez pas d'essence ou d'autres produits inflammables à proximité de la cuisinière ou de tout autre appareil.
- **SI VOUS DÉTECTEZ UNE ODEUR DE GAZ**
 - N'allumez aucun appareil.
 - Ne touchez pas aux interrupteurs électriques.
 - N'utilisez pas les téléphones du bâtiment où vous trouvez.
 - Appelez immédiatement votre société gazière chez un voisin et suivez les instructions qu'elle vous donne.
 - Si vous n'arrivez pas à contacter votre société gazière, appelez le service d'incendie.
- L'installation et les travaux d'entretien doivent être réalisés par un installateur qualifié, un centre de réparation agréé ou une société gazière.

ATTENTION

Cet appareil est conçu pour une utilisation culinaire. Pour des raisons de sécurité, ne l'utilisez jamais pour chauffer une pièce.

IMPORTANT:

Les réglementations locales varient. L'installation, le branchement au gaz et la mise à la terre doivent être conformes à toutes les réglementations en vigueur.

AVERTISSEMENT



Un enfant ou un adulte pourrait faire basculer l'appareil et perdre la vie. Assurez-vous que le dispositif anti-bascule a été convenablement installé et que la patte de l'appareil est retenue par le support lorsque vous remettez la cuisinière en place.

Ne faites pas fonctionner l'appareil si le support anti-bascule n'est pas en place. La non-observation des instructions du présent manuel peut entraîner la mort ou causer de graves brûlures à des enfants ou des adultes.

Assurez-vous que le support anti-bascule est bien installé et dûment utilisé. Faites doucement basculer la cuisinière vers l'avant en la tirant par l'arrière pour vous assurer que la patte de l'appareil est bel et bien entrée dans le support anti-bascule et que l'appareil ne peut se renverser. La cuisinière ne devrait pas pouvoir bouger de plus d'un pouce (2,5 cm).

Pour les installations au Massachusetts :

1. L'installation doit être réalisée par un entrepreneur qualifié ou accrédité, un plombier ou un installateur de gaz qualifié ou autorisée par l'État, la province ou la région dans laquelle cet appareil est installé.
2. La vanne d'arrêt de gaz doit être pourvue poignée en « T ».
3. La longueur du tuyau de gaz ne doit pas excéder 36 po (914 mm).

INSTRUCTIONS DE MISE À LA TERRE

Cet appareil doit être mis à la terre. La mise à la terre réduit les risques de décharge électrique en fournissant au courant électrique un fil d'échappement lors d'un court-circuit.

NOTE : Cette cuisinière **N'EST PAS** conçue pour les maisons mobiles préfabriquées ni pour les véhicules récréatifs. N'installez PAS cet appareil à l'extérieur.



CONSIGNES DE SÉCURITÉ IMPORTANTES

LISEZ ET CONSERVEZ CES INSTRUCTIONS

Vérification du type de gaz

Vérifiez le type d'alimentation en gaz fourni sur le lieu d'installation. L'appareil doit être raccordé au type de gaz pour lequel il est certifié. Tous les modèles sont certifiés pour une utilisation avec gaz naturel. Conversion sur place pour utilisation au gaz propane exigeant le nécessaire de conversion (PALPKITHP).

AVERTISSEMENT

Avertissements de la Proposition 65 de l'État de la Californie :

Ce produit contient des produits chimiques connus de l'État de la Californie pour causer le cancer, des anomalies congénitales ou d'autres problèmes de reproduction.

Approvisionnement en gaz

Gaz naturel — 6 po (14,9 mb) min. à 14 po (34,9 mb) max. de colonne d'eau

Gaz propane — 11 po (27,4 mb) min. à 14 po (34,9 mb) max. de colonne d'eau

ATTENTION

Lorsque vous branchez l'appareil au gaz propane, assurez-vous que le réservoir de gaz propane est muni de son propre mécanisme régulateur à haute pression en plus du régulateur à haute pression fourni avec l'appareil. La pression de gaz maximale de cet appareil ne devrait pas excéder 14,0 pouces (34,9 mb) de colonne d'eau entre le réservoir de propane et le régulateur à haute pression.

Alimentation électrique

Consultez la section « *ÉTAPE 7 : Installation du dossieret (optionnel)* » pour obtenir des spécifications.

Vérifiez code de la construction locale en vigueur pour connaître la bonne méthode d'installation de l'appareil. L'installation, le branchement électrique et la mise à la terre doivent respecter toutes les réglementations en vigueur. Les réglementations locales varient et il est de la responsabilité de l'installateur de s'assurer de la conformité de l'installation avec ces réglementations. S'il n'y a pas de réglementations locales, l'appareil doit être installé conformément au code national américain actuel sur les gaz combustibles ANSI Z223.1/ NFPA 54 et au code national américain actuel de l'électricité ANSI/NFPA No 70.

Au Canada, l'installation doit être conforme aux normes canadiennes CAN 1-B149.1 et CAN 1-B149.2 pour l'installation d'appareils fonctionnant au gaz, et/ou aux réglementations locales en vigueur. système de ventilation au-dessus de la surface de cuisson n'est pas recommandée.

Cet appareil est conforme à une ou à plusieurs des normes suivantes :

- UL 858 – norme visant la sécurité en matière de cuisinières électriques domestiques
- ANSI Z21.1 – norme américaine régissant les appareils électroménagers de cuisson au gaz
- CAN/CSA-C22.2 No 61-08 – cuisinières domestiques
- CAN/CGA1.1-M81 régissant les cuisinières à gaz domestiques

Il est de la responsabilité du propriétaire et de l'installateur de déterminer les exigences ou les normes supplémentaires pouvant s'appliquer à des installations particulières.

IMPORTANT :

Lors d'une installation contre une surface combustible, l'utilisation d'un dossieret bas est optionnelle. Vous devez acheter séparément un dossieret bas THERMADOR. Consultez l'étape 7 pour obtenir des renseignements sur l'installation, le dossieret et les troussees.

L'espace libre minimal pour une surface combustible est de zéro pouce (voir « *Espaces libres pour l'installation* »).

Voir la tablette du dossieret à la *page 40* pour les modèles de dossieret appropriés pour cet appareil. Une fois le dossieret choisi, l'appareil doit être installé adéquatement en utilisant les espaces libres minimaux pour surfaces combustibles spécifiées dans les instructions « *ÉTAPE 2 : Préparation des armoires* » à la *page 29*.

AVERTISSEMENT

Pour éviter tout risque de brûlure ou d'incendie, un dossieret de protection conçu spécialement pour cette cuisinière doit être installé avant son utilisation.

Examinez l'appareil après l'avoir déballé. S'il a été endommagé durant le transport, ne le branchez pas.

Enlevez tout le matériel d'emballage et le ruban adhésif avant d'utiliser l'appareil. Débarrassez-vous du matériel d'emballage après l'installation. Ne laissez jamais des enfants jouer avec le matériel d'emballage.

Consignes d'Installation

Renseignements de planification

Avant d'utiliser votre appareil, assurez-vous de lire le présent manuel. Portez une attention particulière aux **Consignes de sécurité importantes** apparaissant au début du manuel.

Outils Requis	
Clé polygonale ou à cliquet de 7/16" po	Mèche de 3,17 mm
Mèche de 4,76 mm	Clé ajustable de 305 mm
Perceuse à main ou électrique	Ruban à mesurer
Tournevis plat et Phillips	Instrument de marquage
Niveau	Plate-forme à roulettes
Tournevis Torx T-20	Gants de protection
Articles Non Inclus	
Vis d'ancrage pour cloison sèche et béton	Composé/ruban pour tuyau
Corde/ficelle	Tuyau souple de 19 mm
2 – adaptateurs pour bride	

ÉTAPE 1 : Exigences en matière de ventilation

Il est **fortement recommandé** d'installer une hotte de ventilation THERMADOR au-dessus de la cuisinière. Une ventilation par aspiration descendante ne devrait pas être utilisée.

Vous ne devriez pas utiliser un système de ventilation par aspiration descendante.

IMPORTANT :

Les hottes et les ventilateurs sont conçus pour être utilisés avec un seul conduit mural. Cependant, certains inspecteurs ou codes du bâtiment exigent l'utilisation d'un conduit double. Consultez le code de la construction en vigueur ou des organismes locaux avant d'entreprendre les travaux pour vous assurer que l'installation de la hotte et des conduits répond aux exigences locales.

IMPORTANT : Il est possible que le mur arrière se décolore lors de l'utilisation de certains modes de cuisson.

AVIS : La plupart des hottes contiennent des matériaux combustibles qui doivent être pris en considération lors de la planification de l'installation.

AVERTISSEMENT

Vous ne devriez pas installer cet appareil avec un système de ventilation à aspiration descendante. Ce type de système de ventilation peut présenter des risques d'incendie et des problèmes de combustion et ainsi entraîner des blessures corporelles, des dommages matériels ou un fonctionnement involontaire. Aucune restriction ne s'applique aux systèmes de ventilation à aspiration ascendante.

Préparation de la ventilation

1. Choix des modèles de hotte et de ventilateur :

- Pour les installations murales, la largeur de la hotte doit être au moins égale à celle de la cuisinière. Si l'espace le permet, il est souhaitable d'installer une hotte plus large que la table de cuisson pour assurer une meilleure ventilation.
- Pour les installations en îlot, la largeur de la hotte devrait excéder celle de la cuisinière d'au moins 3 po (76 mm) de chaque côté.
- L'utilisation d'une hotte certifiée d'au moins 300 PCM de puissance est requise. La hotte doit être installée conformément aux instructions fournies avec l'appareil.

2. Emplacement de la hotte :

- Pour une évacuation accrue de la fumée, la bordure inférieure de la hotte doit se trouver à 30 po (762 mm) au-dessus de la table de cuisson.
- Utilisez un espace libre d'au moins 36 po (914 mm) si des éléments combustibles, comme des panneaux en bois, se trouvent dans la hotte (« *Espaces libres pour l'installation* »).

3. Air d'appoint :

- Compte tenu de l'important volume d'air requis, il est recommandé de prévoir un apport d'air de l'extérieur. Cet aspect revêt une importance particulière pour les maisons bien isolées et très étanches.

ÉTAPE 2 : Préparation des armoires

- La cuisinière est un appareil monobloc. Si l'appareil est installé entre deux armoires, les espaces libres indiqués à la, « *Espaces libres pour l'installation* ». Les mêmes espaces libres s'appliquent aux installations en îlot, sauf pour les armoires suspendues, où il doit y avoir suffisamment d'espace pour une hotte de style îlot avec un rebord.
- Les entrées d'électricité et de gaz doivent se trouver dans les zones indiquées à la *Figure 4*.
- Toute ouverture dans le mur derrière l'appareil ou dans le plancher sous l'appareil doit être scellée.
- Lors d'une installation contre une surface combustible, l'utilisation d'un dossier bas est optionnelle. Vous devez acheter séparément un dossier bas THERMADOR. Consultez l'étape 7 pour obtenir des renseignements sur l'installation, le dossier et les trousse.
- L'espace libre minimal pour une surface combustible est de zéro pouce (voir « *Espaces libres pour l'installation* »).
- Lorsque la cuisinière est installée contre un mur combustible, un espace libre d'au moins 5 po (127 mm) est requis entre le côté de la cuisinière et le mur.
- L'appareil ne doit jamais se trouver à proximité de matériaux combustibles, d'essence et d'autres produits inflammables sous forme de gaz ou de liquide.
- N'obstruez pas le débit d'air de combustion et de ventilation de l'appareil.
- La profondeur maximale des armoires, installées d'un côté ou de l'autre au-dessus de la hotte, devrait être de 13 po (330 mm).
- Un espace libre minimal de 36 po (914 mm) est nécessaire entre la surface de cuisson et le dessous de toute armoire non protégée. Un espace libre de 30 po (762 mm) peut être utilisé lorsque la partie inférieure d'une armoire en bois ou en métal est protégée par un matériau ignifuge d'une épaisseur minimale de ¼ po (6,35 mm) revêtu d'une feuille d'acier no 28 MSG, d'acier inoxydable de 0,015 po (0,38 mm), d'aluminium de 0,024 po (0,61 mm) ou de cuivre de 0,020 po (0,51 mm).

Les matériaux ignifuges portent la marque suivante :

UNDERWRITERS LABORATORIES INC. CLASSIFIED MINERAL AND FIBER BOARDS SURFACE BURNING CHARACTERISTICS (caractéristiques relatives à l'inflammabilité de panneaux de fibres et de minéraux classés). Cette indication est suivie par des indices de propagation de flamme et de fumée. Ces désignations sont indiquées par le sigle « FHC » (Flame Spread/Smoke Developed – Propagation de la flamme/Production de fumée). Les matériaux ayant un indice de propagation de flamme de 0 sont ignifuges. La réglementation locale peut autoriser un indice de propagation de flamme différent. Il

est de la responsabilité de l'installateur de veiller à ce que l'installation se fasse conformément à ces indices.

Spécifications

Description	30" Mixtes
Largeur hors tout	29-15/16" (760 mm)
Largeur de découpe	30" (762 mm)
Hauteur hors-tout	35 7/8" - 36 3/4" (911-933 mm)
Profondeur de l'arrière de la poignée de porte	31 3/8" (797 mm)
Profondeur du découpage	24" (610 mm)
Distance minimale au mur de combustible arrière*	0" (screw head ~ 4 mm)
Dégagement min. à gauche et à droite des murs combustibles*	5" (127 mm)
Dégagement minimum de hotte aspirante*	Frais généraux non combustibles zone 30" (762 mm)
Exigences concernant le gaz	Expédié avec système de gaz naturel; conversion sur place au gaz propane/G.P.L. avec la trousse de conversion (incluse). Trousse pour installation en hautes altitudes jusqu'à 10 000 pi (3078 m) incluse - consultez les instructions.
Pression du collecteur	Naturel 12,5 mb (5") C.E./ Propane 27,4 mb (10") C.E.
Spécifications électriques	Voir les informations caractéristiques électriques.
Brûleur gaz naturel/ propane de notation	18,000 BTU / 14,000 BTU 15,000 BTU / 11,000 BTU 10,000 BTU / 9,100 BTU 8,000 BTU / 6,000 BTU
Largeur intérieure du four	Grand four – 25" (635 mm)
Hauteur intérieure du four	Grand four – 16 1/4" (413 mm)
Oven interior depth	Grand four – 18 3/8" (467 mm)
Overall oven volume	4.3 cubic feet
Poids d'expédition approximatif	374 lbs (170 kg)

* Comme défini dans le « Code national du gaz combustible » ANSI Z223.1 – édition actuelle. Les espaces libres jusqu'aux surfaces non combustibles ne sont pas précisés dans la norme ANSI Z21.1 et ne sont pas certifiés par la CSA.

Espaces libres pour l'installation

Espaces libres des armoires par rapport à la hotte

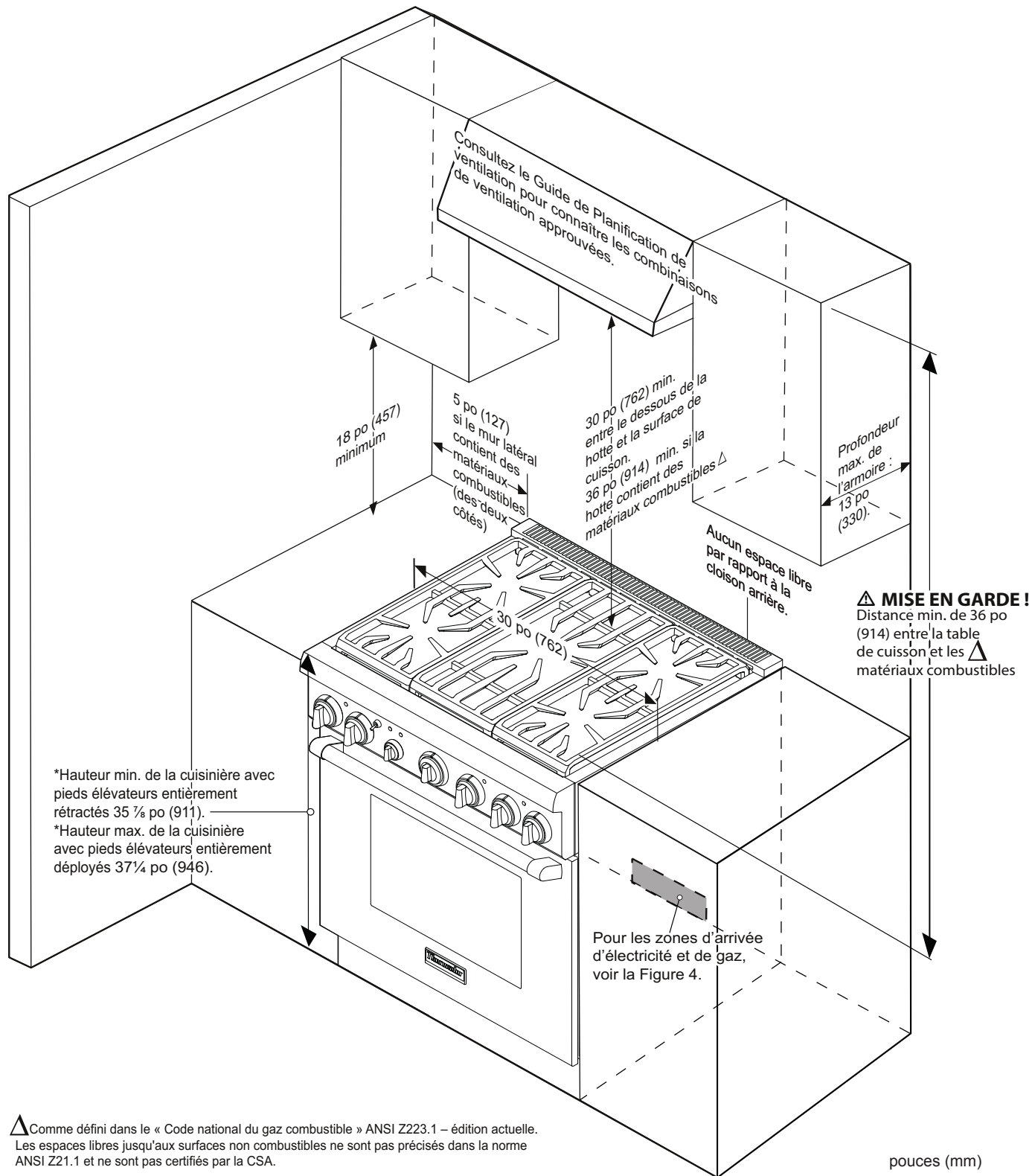
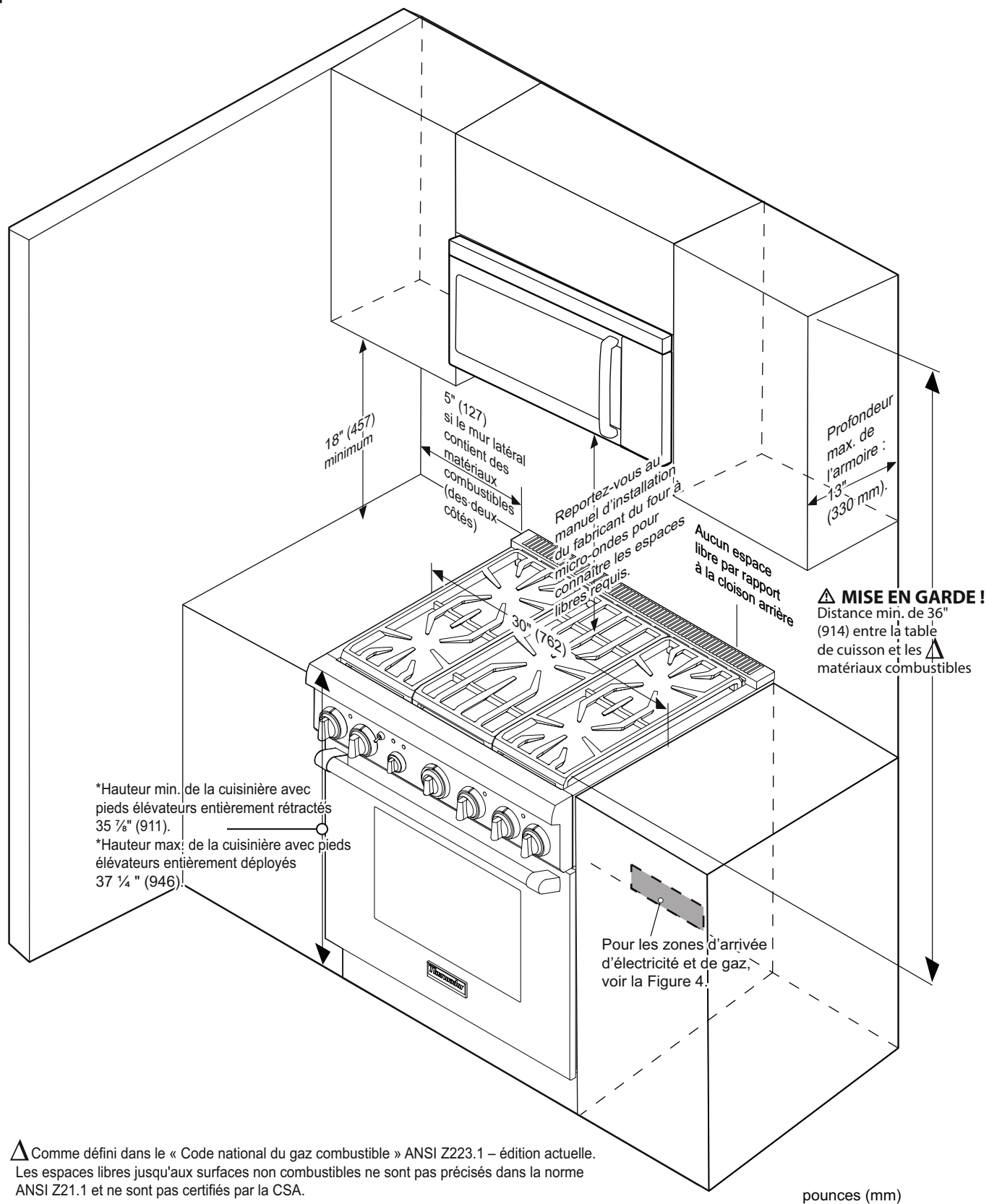


Figure 1 : Espaces libres des armoires par rapport à la hotte.

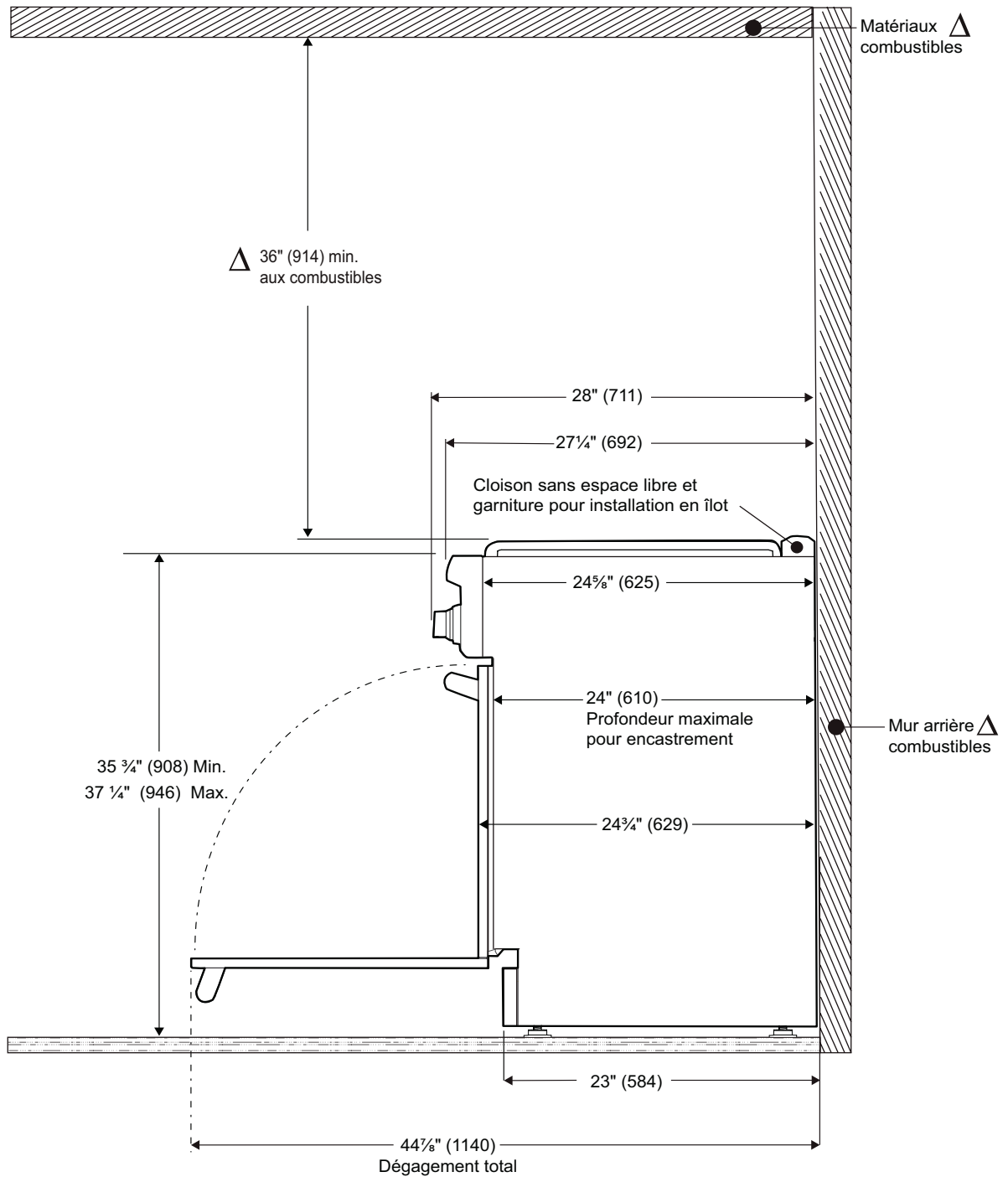
Espaces libres des armoires avec four à micro-ondes installé au-dessus de la cuisinière



⚠ Comme défini dans le « Code national du gaz combustible » ANSI Z223.1 – édition actuelle. Les espaces libres jusqu'aux surfaces non combustibles ne sont pas précisés dans la norme ANSI Z21.1 et ne sont pas certifiés par la CSA.

Figure 2 : Espaces libres des armoires avec four à micro-ondes installé au-dessus de la cuisinière

Espaces libres latéraux requis pour l'installation



Δ Comme défini dans le « Code national du gaz combustible » ANSI Z223.1 – édition actuelle. Les espaces libres jusqu'aux surfaces non combustibles ne sont pas précisés dans la norme ANSI Z21.1 et ne sont pas certifiés par la CSA.

pouces (mm)

Figure 3 : Espaces libres latéraux requis pour l'installation

Alimentation de gaz et électrique

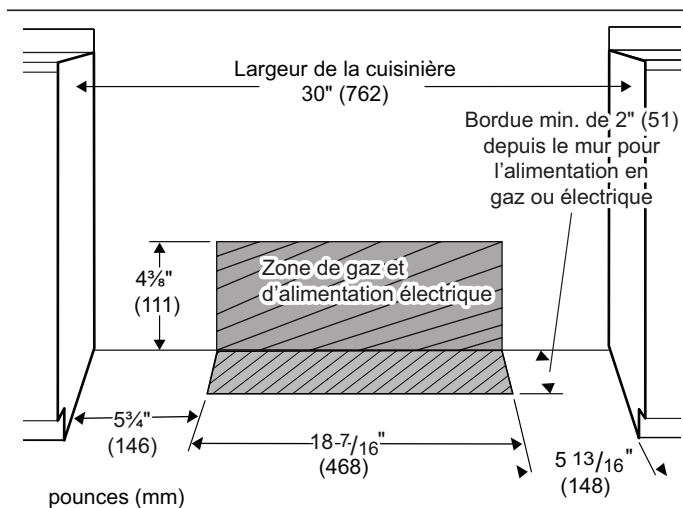


Figure 4 : Emplacement de l'alimentation électrique et en gaz

NOTE :

- S'il n'y en a pas déjà une en place, installez une vanne manuelle d'arrêt de gaz à un endroit facile d'accès.
- Assurez-vous d'indiquer à tous les utilisateurs où se trouve l'approvisionnement en gaz de la cuisinière et de leur montrer comment la fermer.
- Toute ouverture dans le mur derrière l'appareil ou dans le plancher sous l'appareil doit être scellée.

Cet appareil prêt-à-installer est fabriqué avec un cordon d'alimentation à quatre fils et une prise. L'appareil doit être mis à la terre adéquatement. Voir « ÉTAPE 7 : Installation du dossier (optionnel) ».

La cuisinière doit être raccordée uniquement au type de gaz pour lequel elle est certifiée. Si la cuisinière doit être approvisionnée en gaz propane, assurez-vous que le réservoir de propane est muni de son propre mécanisme régulateur à haute pression en plus du régulateur à haute pression de l'appareil (voir « ÉTAPE 6 : Exigences électriques, connexions et mise à la terre »).

NOTE : La cuisinière est conçue pour être presque parfaitement alignée avec le mur arrière. Pour une installation réussie, il peut être nécessaire de repositionner le tuyau d'approvisionnement en gaz et le cordon électrique lorsque la cuisinière est poussée à son emplacement définitif.

- **SUGGESTION :** Pour y arriver, nous vous suggérons de passer une corde ou une ficelle autour du tuyau ou du cordon électrique et de tirer au moment de pousser la cuisinière à son emplacement définitif.

Alimentation électrique

L'installation de la cuisinière doit être planifiée de manière à ce que la boîte de jonction pour la prise ou la connexion de conduit permette un espace libre optimal à l'arrière de l'appareil.

Lorsque le cordon d'alimentation (non fourni) ou le conduit est branché sur une prise correspondante ou au couvercle de la boîte de jonction, la prise/fiche combinée ou la boîte de jonction/connecteur de conduit ne doivent pas dépasser de plus de 2 po (51 mm) du mur arrière.

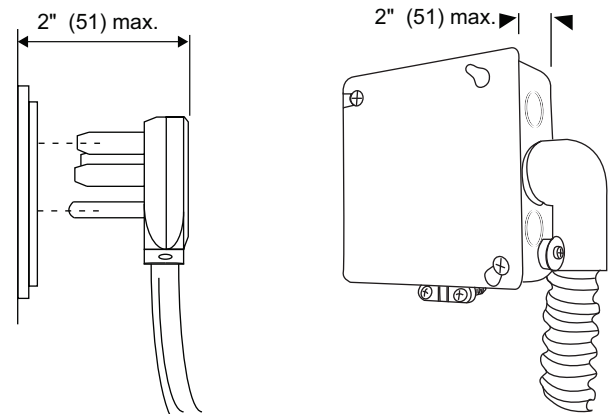


Figure 5 : Connexion murale

Voir Figure 9 à la page 38 pour l'emplacement de la boîte de jonction sur l'appareil. Pour minimiser le pliage lorsque l'appareil est branché sur la prise ou la boîte de jonction, orientez la prise ou le connecteur de conduit et faites glisser en position.

Remarque : Les modèles canadiens sont dotés d'un cordon d'alimentation.

Lors de l'utilisation d'une prise de courant, il est possible que vous ayez à encastrer le boîtier de la prise dans le mur arrière. Consultez le code de l'électricité local pour établir le volume minimal de tous les coffrets électriques ou boîtes de connexion que vous utilisez. Respectez tous les codes de l'électricité locaux.

ÉTAPE 3 : Déballage et manutention de la cuisinière

⚠ ATTENTION



La cuisinière est lourde et devrait être manipulée en conséquence.

Ne pas lever l'appareil par le panneau de commande.



Pour éviter tout risque de blessure ou de dommages à l'appareil ou au plancher, la cuisinière devrait être déplacée par au moins deux personnes utilisant de l'équipement adéquat, comme des gants de protection, et ne portant pas des bagues, des montres ou tout autre objet semblable pouvant endommager l'appareil ou s'y accrocher.

Les surfaces cachées de l'appareil peuvent comporter des saillies coupantes. Faites attention lorsque vous prenez l'appareil par le dessous ou que vous le tirez.

N'utilisez pas un charriot manuel ou à électroménager à l'avant ou à l'arrière de l'appareil. Manipulez-le seulement sur les côtés.

Déballage de la cuisinière

NOTE : Installez l'appareil avant de retirer la pellicule protectrice. Ne Pas lever l'appareil par le panneau de commande.

1. Retirez le carton et le matériel d'emballage de l'appareil sur la palette, mais laissez la mousse adhésive qui recouvre les surfaces de métal brossé afin de protéger le fini contre les égratignures jusqu'à ce que la cuisinière soit installée à son emplacement définitif. Laissez la mousse avec adhésif sur les surfaces en métal brossé pour protéger le fini contre les égratignures jusqu'à ce que l'appareil soit installé à sa position finale.
2. Pour faciliter la manutention, il est recommandé de retirer les grilles de surface, la plaque chauffante, les chapeaux des brûleurs et les grilles du four. Si désiré, vous pouvez également enlever les portes du four (consultez « ÉTAPE 8 : Retrait et installation de la porte » à la page 43). N'enlevez pas l'élément de la plaque chauffante ni l'assemblage du plateau.

Déplacement de la cuisinière

En raison du poids de la cuisinière, il convient d'utiliser une plate-forme à roulettes souples pour la déplacer. Le poids doit être uniformément réparti sur la plate-forme.

NOTE : Vous devez procéder aux étapes 4 à 8 avant de placer la cuisinière à son emplacement final. Pour fonctionner adéquatement, la cuisinière doit être de niveau. Consultez « ÉTAPE 9 : Mise en place et nivelage de la cuisinière » à la page 44 pour obtenir des instructions de nivelage.

Retrait des boulons de la palette

1. Pour retirer les quatre (4) boulons de la palette situés dans la partie inférieure à l'avant et à l'arrière, utilisez une clé anglaise ou à cliquet d'un 7/16 po. Jetez les morceaux de bois de l'emballage.

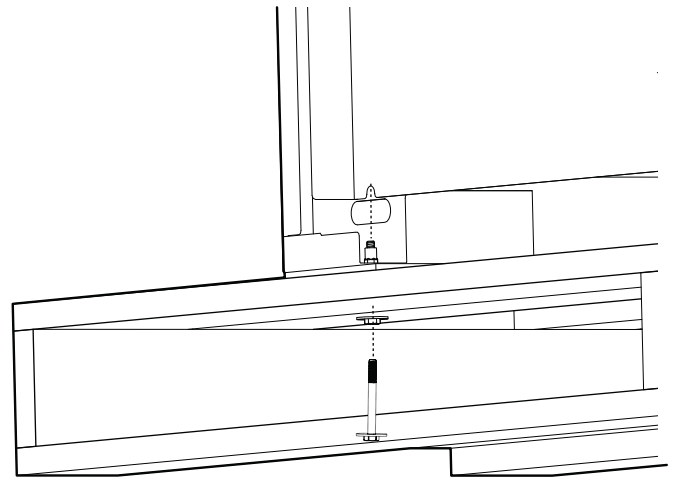


Figure 6 : Retrait des boulons d'expédition

2. Soulevez la cuisinière et retirez-la de la palette. Demandez de l'aide au besoin pour la retirer de la palette.
3. Avec un chariot (diable), déplacez la cuisinière près de l'endroit où vous comptez l'installer. Ne transportez pas la cuisinière en appuyant la partie avant sur le diable.
4. Vous pouvez appuyer la cuisinière sur les pattes arrière au moment de retirer le diable en toute sécurité.
VOUS DEVRIEZ PROTÉGER LE PLANCHER SOUS LES PATTES ARRIÈRE AVANT DE POUSSER L'APPAREIL À SON LIEU D'INSTALLATION.

ÉTAPE 4 : Installation du dispositif anti-bascule

⚠ ATTENTION

DANGER DE BASCULEMENT:



— Toutes les cuisinières peuvent basculer et causer une blessure. Pour éviter le basculement accidentel de la cuisinière, fixez-la au sol au moyen du dispositif anti-bascule fourni.



— L'appareil risque de basculer si le dispositif n'est pas installé conformément aux présentes instructions. Pour toutes les cuisinières, un dispositif anti-bascule doit être installé conformément aux présentes instructions.

— Un enfant ou un adulte pourrait faire basculer l'appareil et perdre la vie.

— Ne faites pas fonctionner l'appareil si le support anti-bascule n'est pas installé et qu'il ne retient pas l'appareil. La non-observation de ces instructions peut entraîner la mort ou causer de graves brûlures à des enfants ou des adultes.

En déplaçant la cuisinière pour la nettoyer, la réparer ou pour toute autre raison, assurez-vous qu'elle s'est bien enclenchée dans le dispositif anti-bascule lorsque vous la remettez en place. Autrement, si l'appareil est utilisé de façon anormale (par exemple, si quelqu'un monte, s'assoie ou s'appuie sur une porte ouverte), la cuisinière risque de basculer. Le basculement de la cuisinière ou d'un liquide chaud se trouvant sur la surface de cuisson pourrait causer des blessures corporelles.

⚠ AVERTISSEMENT

RISQUE DE DÉCHARGE ÉLECTRIQUE:

- Soyez très prudent lorsque vous percez des trous dans le mur ou le plancher, car des fils électriques peuvent s'y trouver.
- Identifiez les circuits électriques pouvant se trouver à l'endroit où le dispositif anti-bascule sera installé et coupez l'alimentation électrique de ces circuits.
- Si vous ne respectez pas ces instructions, vous pourriez recevoir une décharge électrique ou vous blesser.

ATTENTION - DOMMAGES À LA PROPRIÉTÉ:

- Communiquez avec un installateur ou un entrepreneur qualifié pour déterminer la méthode convenable à adopter pour percer des trous dans le revêtement des murs ou du plancher (comme des tuiles de céramique, du bois dur, etc.)

- Ne faites pas glisser la cuisinière sur un plancher non protégé.
- Si vous ne respectez pas ces instructions, vous risquez d'endommager les murs ou le plancher.

Informations importantes concernant l'installation

No de pièce	Qtée	Description
00415078	4	Vis Phillips no 10 x 1-½ po (38,1 mm)
00647936	1	Support anti-bascule, installation au plancher

- La quincaillerie fournie sert à l'installation avec des montants de bois d'épaisseur standard. Les installateurs sont responsables de fournir la quincaillerie pour les autres types d'installation.
- Le support antibascule peut être fixé à une surface de bois dur pourvu que l'épaisseur minimale du mur soit de 3/4 po (19 mm).
- Selon l'épaisseur du mur ou du plancher, il peut être nécessaire d'utiliser des vis plus longues, disponibles chez votre quincaillier.
- Dans tous les cas, au moins deux des vis de montage du support doivent être fixées à la surface de bois dur.
- Utilisez des ancrages appropriés pour monter la patte antibascule sur un matériau autre que le bois dur ou le métal.

Préparation de l'ouverture pour l'installation

- Pour les murs, montants de mur ou planchers en bois massif ou en métal, percez des trous de guidage de 3,2 mm (1/8 po).
- Pour les murs ou les sols de type préfabriqué, carton-plâtre ou autres matériaux mous, percez des trous de 4,8 mm (3/16 po) à une profondeur minimum de 4,45 cm (1¾ po) puis enfoncez les ancrages en plastique dans tous les trous à l'aide d'un marteau.
- Pour les murs ou les sols en béton ou en blocs en béton, percez des trous de 4,8 mm (3/16 po) à une profondeur minimum de 4,45 cm (1¾ po), puis enfoncez les ancrages à béton dans les trous à l'aide d'un marteau.
- Pour les murs ou les sols revêtus de carrelage, percez des trous de 4,8 mm (3/16 po) de la profondeur du carrelage puis percez derrière le carrelage comme indiqué ci-dessus.
- Si la cuisinière doit être ultérieurement placée à un nouvel endroit, le dispositif antibascule sera enlevé et réinstallé

Montage de la patte antibascule

- Placez la patte sur l'emplacement comme indiqué à la Figure 7.
 - La patte peut être utilisée dans un des coins de l'installation).

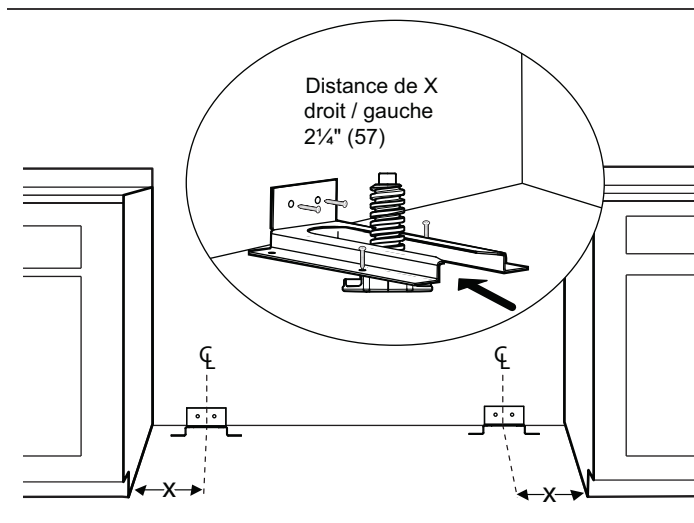


Figure 7 : Mise en place de la patte antibascule

- Fixez-la au sol et au montant du mur à l'aide des quatre (4) vis cruciformes de 1,5 po (38 mm) fournies.
- Lorsque la cuisinière est installée, le pied réglable se glissera sous la patte.
- Si l'appareil est installé à un nouvel endroit, le dispositif anti-basculé doit y être réinstallé.

ÉTAPE 5 : Exigences de l'alimentation du gaz et raccordement

Vérifiez le type de gaz utilisé à l'endroit où la cuisinière est installée. **Celle-ci est préparée à l'usine avant expédition pour être alimentée en gaz naturel. Un technicien ou l'installateur qualifié doit faire la conversion.** Assurez-vous que la cuisinière correspond au type de gaz disponible dans la région.

⚠ ATTENTION

L'appareil doit être isolé du système de tuyauterie d'alimentation à gaz. Pour ce faire, fermez la soupape d'arrêt manuelle individuelle pendant le test de pression du système de canalisation d'alimentation en gaz (tests de pression égale ou inférieure à 1/2 psig, 3,5 kPa).

Cet appareil est homologué CSA pour un fonctionnement sécuritaire à des altitudes de 2000 pi (610 m) au-dessus du niveau de la mer.

Haute Altitude – Pour les altitudes de plus de 2000 pi (610 m) au-dessus du niveau de la mer, des ajustements peuvent être apportés à la trousse pour hautes altitudes fournie avec l'appareil. Si le rendement des flammes est satisfaisant, vous n'aurez pas besoin du contenu de la trousse. Un professionnel agréé doit procéder aux ajustements pour hautes altitudes lors de l'installation.

Appareils au gaz propane (GPL) - L'appareil doit d'abord être converti au gaz propane (GPL) avant d'être converti pour une utilisation à haute altitude. Une trousse de conversion au gaz propane (PALPKITHP) est requise et disponible par le biais du service à la clientèle de THERMADOR.

⚠ AVERTISSEMENT

Le tuyau de gaz ne doit pas entrer en contact avec des composantes situées à l'intérieur du couvercle arrière de la cuisinière.

⚠ AVERTISSEMENT

N'utilisez pas de flamme pour vérifier les fuites de gaz.

Raccordement

EXIGENCES POUR LE GAZ NATUREL

Raccord d'entrée	1/2" NPT interne (tuyau flexible 19,1 mm (3/4") diamètre min.)
Pression d'alimentation	14,9 mb (6") min. à 34,9 mb (14") max. C.E.
Pression du collecteur	12,5 mb (5") C.E.

EXIGENCES POUR LE GAZ PROPANE

Raccord d'entrée	1/2" NPT interne (tuyau flexible 19,1 mm (3/4") diamètre min.)
Pression d'alimentation	27,4 mb (11") min. à 34,9 mb (14") max. C.E.
Pression du collecteur	24,9 mb (10") C.E.

Le branchement à l'arrivée de gaz doit être effectué par un technicien compétent conformément à la réglementation locale. S'il n'y a pas de codes locaux, l'installation doit être conforme à la norme en vigueur américaine du gaz combustible ANSI Z223.1/NFPA54, dernière édition, ou à la norme canadienne.

- Un robinet manuel d'arrêt de gaz doit être installé à l'extérieur de l'appareil, à un endroit accessible par le devant, pour pouvoir couper l'alimentation en gaz. Le tuyau d'arrivée de gaz ne doit pas dépasser à l'arrière de l'appareil. Assurez-vous que le robinet d'arrêt est fermé avant de raccorder l'appareil.
 - La cuisinière est fournie avec un régulateur de pression non amovible qui a été monté à l'intérieur de manière permanente.

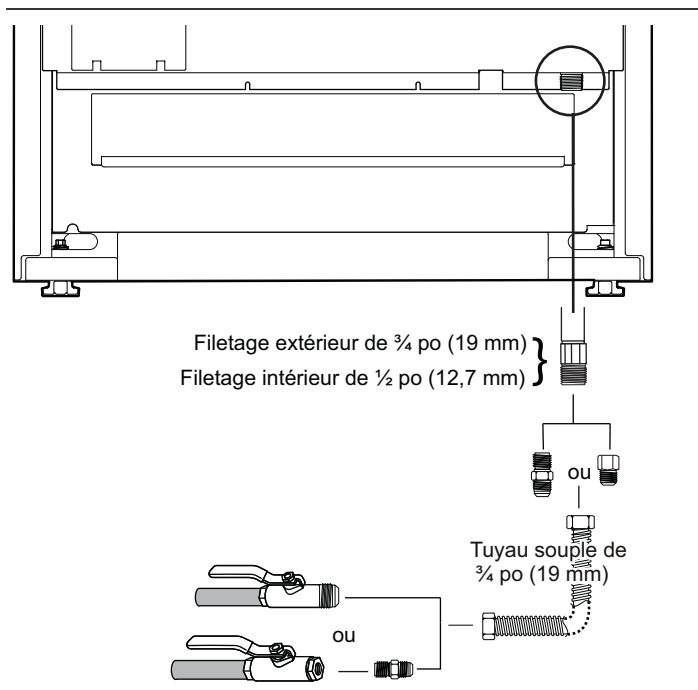


Figure 8 : Raccordement à l'approvisionnement de gaz

- Utilisez un raccord à gaz souple de 3/4 po. entre l'alimentation en gaz et le tuyau d'arrivée de gaz de l'appareil. Le tuyau d'arrivée de gaz de toutes les cuisinières est situé en bas à droite (voir Figure 8). Le tuyau d'arrivée de gaz de l'appareil est de type NPT 1/2 po.
 - Prenez garde aux pincements du tuyau flexible de 19,1 mm (3/4 po) dans les coudes. La longueur suggérée est de 48 po. Vérifiez les codes locaux concernant ces exigences.
- Utilisez du mastic de jointement pour tuyaux ou du ruban Teflon sur le filetage des tuyaux. N'appliquez pas du mastic de jointement ou du ruban pour élargir les raccords. Prenez garde de ne pas appliquer trop de pression lorsque vous serrez les raccords.
- Les tests de fuite de l'appareil doivent toujours être réalisés conformément aux instructions du fabricant.
 - Ouvrez le gaz et assurez-vous qu'il n'y a pas de fuites à l'aide d'une solution savonneuse. N'utilisez pas de flamme pour faire cette vérification.
 - Des bulles indiquent la présence d'une fuite. Réparer toute fuite immédiatement après l'avoir repérée.

ÉTAPE 6 : Exigences électriques, connexions et mise à la terre

Tension	Cote de circuit	Fréquence	Phase
240/208 VAC	40 Amps	60 Hz.	Single

Avant d'effectuer l'entretien de l'appareil, débranchez toujours le cordon électrique de la prise, s'il y a lieu. Si l'appareil est branché de façon fixe, débranchez l'alimentation de l'appareil en fermant le coupe-circuit ou en enlevant le fusible approprié.

INSTALLATEUR : Montrez au propriétaire l'emplacement du coupe-circuit ou du fusible. Notez l'emplacement à des fins de référence.

Un fil d'alimentation neutre doit être installé à partir de la source d'électricité (disjoncteur/panneau de fusibles), car certains éléments de la cuisinière, dont le module de production d'étincelle des brûleurs de la table de cuisson, doivent être branchés sur du 120 VAC pour fonctionner de façon sécuritaire.

⚠ AVERTISSEMENT

Une mauvaise alimentation électrique de 240/208 VAC entraînera des dysfonctionnements, endommagera la cuisinière et pourrait présenter des risques d'électrocution.

Si le circuit électrique n'est pas adéquat, il est de la responsabilité et de l'obligation de l'installateur et de l'utilisateur de s'assurer qu'une installation correcte et conforme à la réglementation locale en vigueur est réalisée par un électricien qualifié. Il est également de la responsabilité de l'installateur de s'assurer que les codes locaux sont respectés. S'il n'y a pas de réglementation locale, le branchement électrique doit être conforme au code national de l'électricité.

La mise à la terre doit être conforme à tous les règlements en vigueur. Sinon, la norme américaine d'électricité ANSI/NFPA No 70 actuelle doit être appliquée. Consultez les renseignements apparaissant dans la présente section pour connaître la méthode de mise à la terre à utiliser.

Les schémas de câblage électrique à l'intention d'un technicien qualifié se trouvent derrière la garniture de porte de l'appareil (voir Figure 28 à la page 45).

Les cuisinières doivent être branchées à une alimentation électrique de 240/208 VAC.

Les cuisinières mixtes doivent être branchées à l'alimentation électrique en ayant recours à l'une des méthodes suivantes. Pour toutes les méthodes de connexion, la longueur du cordon ou du câblage et du conduit de câbles doit permettre le retrait total de l'appareil hors de l'armoire sans qu'il soit nécessaire de le débrancher.

La longueur minimale recommandée pour le cordon ou le conduit est de quatre pieds. Les installations électriques et la mise à la terre doivent être conformes à tous les règlements et codes locaux, ou au code national d'électricité, s'il y a lieu.

Connexion Permanente

Cet appareil prêt-à-installer est fabriqué avec un cordon d'alimentation à quatre fils et une prise. Toutefois, certains appareils peuvent être reliés directement au réseau électrique. Le cas échéant, le cordon d'alimentation à quatre fils doit être débranché du bloc de dérivation.

Il est de la responsabilité de l'installateur de fournir tous les éléments nécessaires au câblage (conduit, fils, etc.) et de réaliser la connexion électrique en conformité avec les normes et codes locaux ou le Code national de l'électricité.

L'installateur doit fournir un conduit en aluminium flexible approuvé, format $\frac{3}{4}$ po (19 mm), d'une longueur minimale de 6 pieds (1,8 mètre).

Localisez le bloc de jonction à l'arrière de l'appareil et enlevez le couvercle (consultez la *Figure 9*). Le conduit doit être fixé à la boîte de connexion à l'aide d'un connecteur de conduit approuvé. L'extrémité libre du conduit de câbles doit être branchée à un bloc de jonction installé dans la zone d'alimentation électrique, comme illustré sur la *Figure 4* à la page 33.

Installez une bride de cordon (non fourni) dans le trou de 1 po (25,4 mm) de diamètre situé sous le bloc de jonction (voir *Figure 9*). Le câblage de l'appareil doit être acheminé au bloc de jonction par le conduit et à travers la bride de cordon. Les extrémités des fils doivent être munies de cosses en boucle de $\frac{1}{4}$ po, préférablement soudées sur place. Faites les connexions au bloc de jonction fourni.

⚠ AVERTISSEMENT

Une connexion inadéquate du câble électrique en aluminium peut présenter un risque de décharge électrique. N'utilisez que des connecteurs conçus et certifiés pour la connexion d'un câble en aluminium.

Si un câble d'alimentation en aluminium est utilisé dans l'installation, épissez le câble d'aluminium et le fil de cuivre pour qu'ils s'adaptent à la cuisinière en utilisant des connecteurs spécialement conçus et certifiés pour joindre des fils de cuivre et d'aluminium. Suivez la procédure d'installation recommandée par le fabricant du connecteur.

Connexion à quatre fils

Cet appareil prêt-à-installer est fabriqué avec un cordon d'alimentation à quatre fils et une prise. Si le cordon d'alimentation est endommagé ou doit être remplacé, utilisez un cordon (UL, CSA...) triphasé à quatre conducteurs de 125/250 VOLTS de tension et relié à un CIRCUIT SPÉCIALISÉ DE 50 AMPÈRES pour cuisinière.

Le cordon doit être fixé au bloc de jonction de la cuisinière avec un réducteur de tension s'adaptant à un trou de 1 po (25,4 mm) de diamètre. Si ce n'est pas le cas, le cordon doit être muni de cosses en boucle fermée de $\frac{1}{4}$ po (6 mm) fixées aux extrémités libres des conducteurs individuels, préférablement soudés sur place.

1. Repérez le bloc de jonction à l'arrière de l'appareil et enlevez le couvercle (voir la *Figure 9*).
2. Enlevez seulement les écrous supérieurs des plots du bloc de jonction. N'enlevez pas les écrous qui maintiennent les fils de câblage internes de la cuisinière.
3. Installez une bride de cordon (non fournie avec la cuisinière) dans le trou de 1 po (25,4 mm) de diamètre situé sous le bloc de jonction, dans le panneau arrière. Faites passer les fils par la bride de cordon.

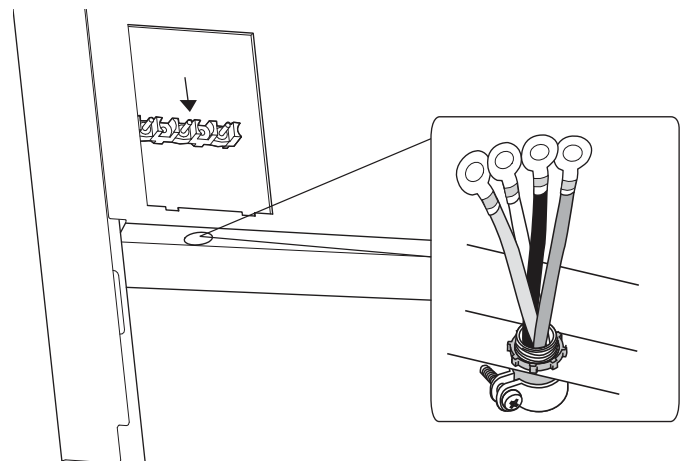


Figure 9 : Emplacement de la bride de cordon

- Fixez le fil neutre mis à la terre du circuit d'alimentation au plot central du bloc de jonction avec un écrou.

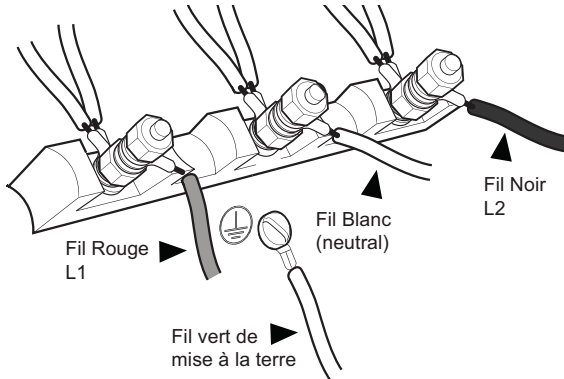


Figure 10 : Connexion à quatre fils

- Fixez les fils de sortie L1 (rouge) et L2 (noir) aux plots du bloc de jonction extérieur (couleur laiton) avec des écrous.
- Enlevez la vis verte du connecteur de terre située sous le bloc de jonction. Jetez le fil blanc.
- Fixez le connecteur de terre en cuivre au châssis de la cuisinière à l'aide de la vis de mise à la terre précédemment utilisée avec le fil blanc. Assurez-vous que les bornes neutre et de terre ne se touchent pas.
- Serrez bien toutes les connexions.
- Réinstallez le couvercle du bloc de jonction.

Connexion à trois fils

Cet appareil prêt-à-installer est fabriqué avec un cordon d'alimentation à quatre fils et une prise. Toutefois, lorsque les normes et codes locaux permettent une mise à la terre par fil neutre et qu'une conversion à un cordon de quatre fils est irréalisable, utilisez un cordon (UL, CSA...) triphasé à trois conducteurs de 125/250 VOLTS de tension et relié à un CIRCUIT SPÉCIALISÉ DE 50 AMPÈRES pour cuisinière.

Le cordon doit être fixé au bloc de jonction de la cuisinière avec un réducteur de tension s'adaptant à un trou de 1 po (25,4 mm) de diamètre. Si ce n'est pas le cas, le cordon doit être muni de cosses en boucle fermée de ¼ po (6 mm) fixées aux extrémités libres des conducteurs individuels, préférablement soudés sur place.

- Repérez le bloc de jonction à l'arrière de l'appareil et enlevez le couvercle (voir la Figure 11).
- Enlevez seulement les écrous supérieurs des plots du bloc de jonction. N'enlevez pas les écrous qui maintiennent les fils de câblage internes de la cuisinière.

- Installez une bride de cordon (non fournie avec la cuisinière) dans le trou de 1 po (25,4 mm) de diamètre situé sous le bloc de jonction, dans le panneau arrière (voir Figure 11). Faites passer les fils par la bride de cordon.

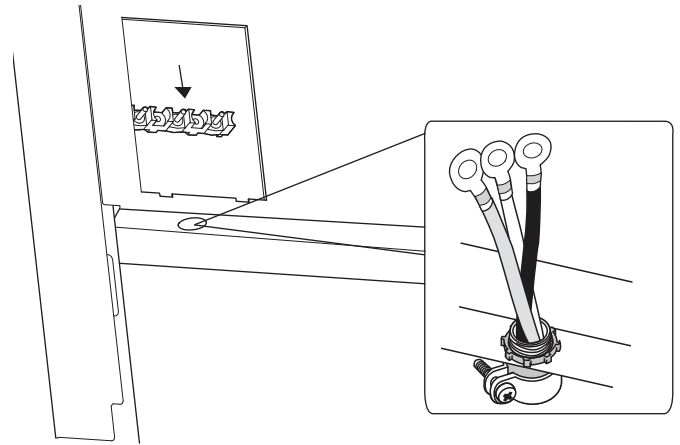


Figure 11 : Emplacement de la bride de cordon

- Fixez le fil neutre mis à la terre du circuit d'alimentation au plot central (de couleur argent) du bloc de jonction (consultez la Figure 12).

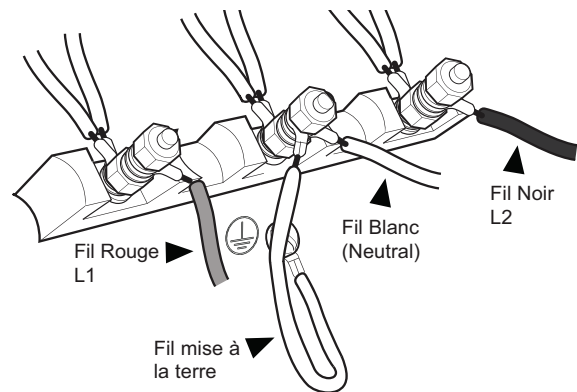


Figure 12 : Connexion à trois fils

- Fixez les fils de sortie L1 (rouge) et L2 (noir) aux plots correspondants du bloc de jonction extérieur (couleur laiton).
- Fixez l'une des extrémités du fil neutre monté en boucle, situé sous le bloc de jonction, au plot central du bloc de jonction avec un écrou et vissez l'autre extrémité du fil au dos de la cuisinière.
- Serrez bien les écrous.
- Réinstallez le couvercle du bloc de jonction.

ÉTAPE 7 : Installation du dossieret (optionnel)

Étagère garde-chaud	Dossieret de protection	9" Dossieret bas
KHS30QS	PA30JBS	PA30GLBH

Tableau 1 : Numéro de modèle de dossieret

Les méthodes d'installation varient selon les besoins. Avant de commencer, lisez attentivement ces instructions. Respectez tous les codes et règlements locaux.

Installation du dossieret de protection (PA30JBS)

AVERTISSEMENT

Pour réduire les risques d'incendie ou de blessures corporelles, assurez-vous que tout le matériel d'emballage a été retiré des accessoires avant de les utiliser.

Outils Requis

Tournevis ou pointe Phillips

Ruban à mesurer

Le dossieret de protection doit être installé avant le montage d'une hotte, car le pavillon de la hotte couvrira les vis de montage supérieures du dossieret de protection.

Pour protéger le dossieret de protection contre les égratignures, laissez la pellicule de protection qui le recouvre jusqu'à ce que vous ayez terminé l'installation.

Si la cuisinière est déjà installée, consultez les instructions du fabricant pour le débranchement de l'approvisionnement en gaz et de l'alimentation électrique. Déplacez la cuisinière pour avoir accès au mur arrière.

1. Localisez et marquez les endroits où passent les montants de cloison. Les montants de cloison sont normalement installés à des intervalles de 16 ou 24 po (406 ou 610 mm).
2. La hauteur de la hotte déterminera la hauteur de montage du côté supérieur du dossieret de protection. Le dossieret de protection devrait être installé de façon à ce que la partie inférieure de la hotte chevauche le dossieret de protection de 1 1/2 po (38 mm).
3. Utilisez deux vis fournies pour fixer le haut et le bas du dossieret de protection dans chaque montant de cloison (voir Figure 13).

- Dans certains cas, et compte tenu de la largeur variable des montants de cloison et des dossierets muraux, un seul montant de cloison peut se trouver à l'emplacement de l'installation.

4. Enlevez la pellicule de protection en plastique.

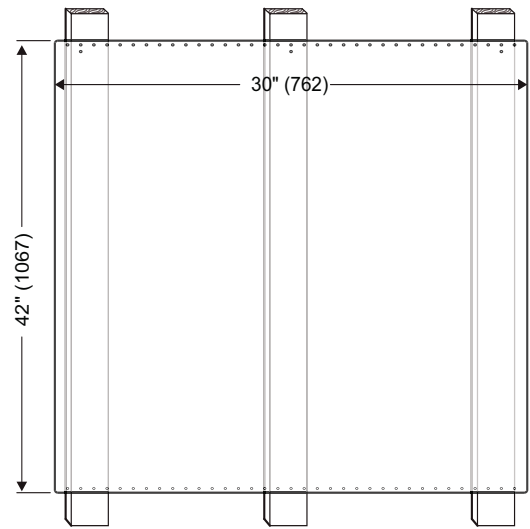


Figure 13 : Installation du dossieret de protection

Installation d'un dossieret de protection avec une étagère garde-chaud

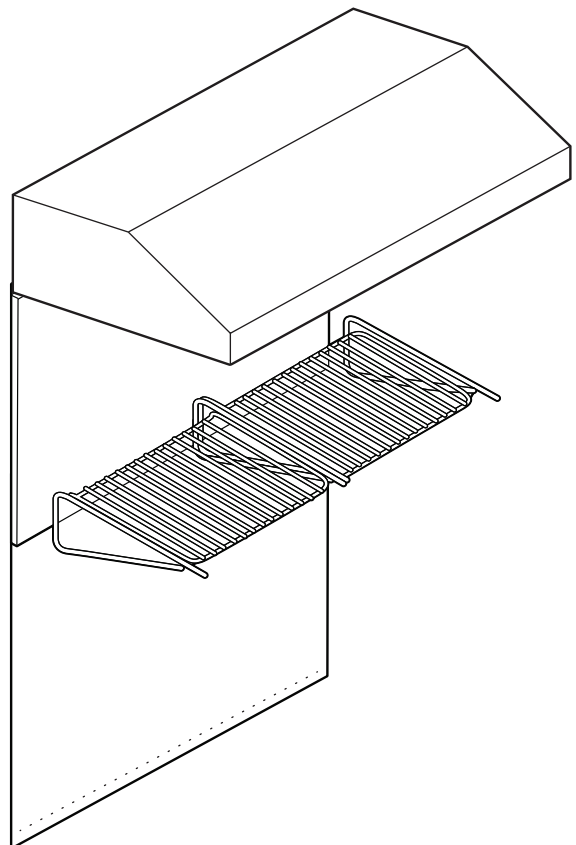


Figure 14 : Dossieret de protection avec étagère garde-chaud

La hotte peut être montée en premier si le dossier de protection est installé avec une étagère garde-chaud puisque cette étagère couvrira les vis de montage supérieures du dossier de protection.

Pour protéger le dossier de protection contre les égratignures, laissez la pellicule de protection sur le dossier de protection jusqu'à ce que vous en ayez terminé l'installation.

Si la cuisinière est déjà installée, consultez les instructions du fabricant pour le débranchement de l'alimentation en gaz et de l'alimentation électrique. Déplacez la cuisinière pour avoir accès au mur arrière.

1. Les montants de cloison sont normalement installés à des intervalles de 16 po ou 24 po (406 mm ou 610 mm).
2. La hauteur de la hotte déterminera la hauteur de montage du côté supérieur du dossier de protection. Le dossier de protection devrait être installé de façon à ce que la partie arrière inférieure de l'étagère garde-chaud chevauche le dossier de protection de 1 1/2 po (38 mm).
3. À l'endroit indiqué sur la *Figure 15* fixez les supports inférieurs fournis avec l'étagère garde-chaud à travers le dossier de protection, dans les montants de cloison.
 - Dans certains cas, et compte tenu de la largeur variable des montants de cloison et des dossiers muraux, un seul montant de cloison peut se trouver à l'emplacement de l'installation.
4. Enlevez la pellicule de protection en plastique.
5. Commencez l'installation de l'étagère garde-chaud.

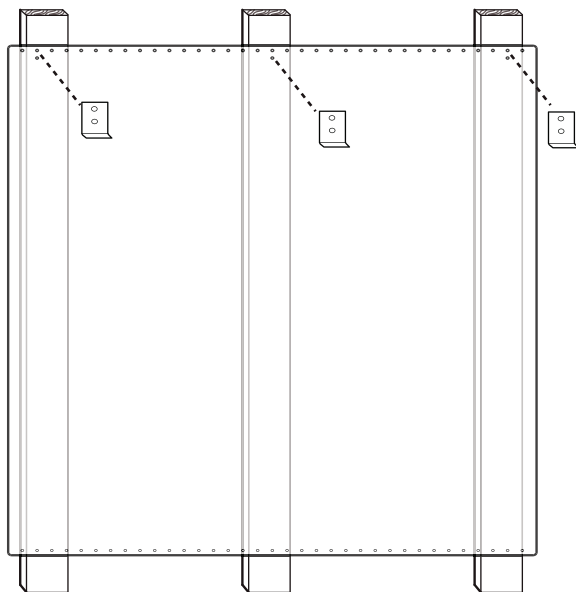


Figure 15 : Dossier de protection avec étagère garde-chaud

Étagère garde-chaud (KHS30QS)

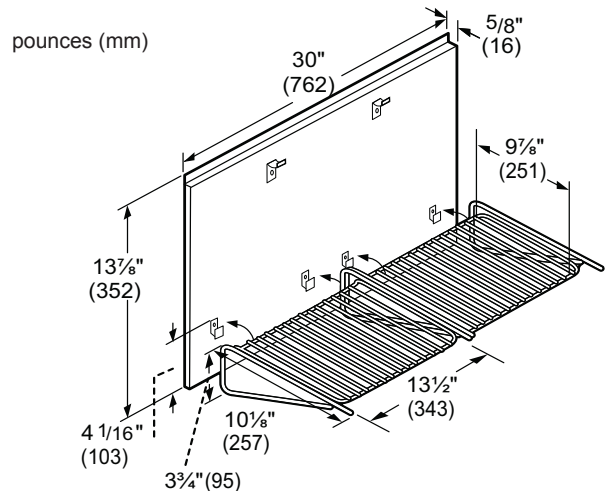


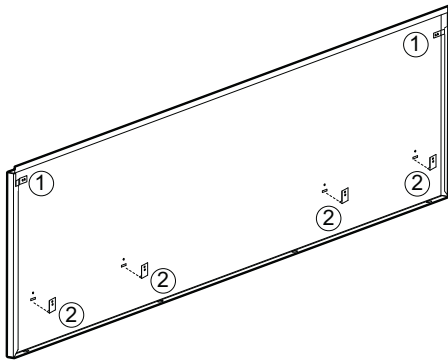
Figure 16 : Étagère garde-chaud

Articles Inclus	
10 – vis de 1" (25,4) 4 – vis de 1/2" (12,7)	4 – supports inférieurs pour étagère
3 – écrous en U	2 – grille garde-chaud
2 – supports supérieurs pour étagère	1 – dossier de protection pour étagère garde-chaud
1 – guide d'installation et gabarit	

Outils Requis	
Ruban à mesurer	Tournevis ou mèche Phillips
Ruban à peinture	Couteau ou ciseaux

1. Collez sur le mur, avec du ruban, les gabarits fournis avec l'étagère garde-chaud comme suit :
 - Collez la feuille intitulée Left Hand Template au coin inférieur gauche de la hotte en alignant la bordure inférieure de la hotte et la ligne supérieure du gabarit.
 - Collez la feuille intitulée Right Hand Template au coin inférieur droit de la hotte en alignant la bordure inférieure de la hotte et la ligne supérieure du gabarit.
 - Collez la feuille intitulée Installation Instruction de façon à ce que la flèche située en haut du gabarit soit alignée avec la ligne centrale de la hotte. Alignez la bordure inférieure de la hotte et la ligne supérieure du gabarit.

- Les côtés gauche et droit du gabarit doivent correspondre à la longueur de l'étagère.
2. Installez les deux supports supérieurs pour étagère et les trois supports inférieurs pour étagère aux endroits indiqués sur les gabarits. Fixez-les en place à l'aide des (10) vis de 1 po (25,4 mm) fournies.
 3. Découpez le gabarit autour des supports et enlevez-le du mur. Ne le jetez pas avant d'avoir terminé l'installation de l'étagère garde-chaud.
 4. Insérez les quatre écrous en U dans les quatre supports inférieurs pour étagère.
 5. Installez la plaque murale en plaçant les encoches des coins (dos de la plaque murale) au sommet des deux supports supérieurs pour étagère.
 6. Faites glisser l'ensemble de l'étagère vers le haut jusqu'à ce que la partie inférieure s'enclenche dans les quatre supports inférieurs (Figure 17).



1 – Supports supérieurs pour étagère 4 – Supports inférieurs pour étagère

Figure 17 : Dos de la plaque murale

7. Assurez-vous que la partie supérieure de l'ensemble de l'étagère est bien fixée en place en tirant vers vous sur la partie supérieure de l'étagère.
8. Fixez la partie inférieure de l'ensemble de l'étagère à l'aide des (4) vis de ½ po (12,7 mm) fournies.

Installation du Dosseret

⚠ AVERTISSEMENT

Vous pourriez vous pincer les doigts ou les mains et vous blesser gravement lors de l'installation de cet accessoire. Soyez très prudent et portez des gants protecteurs épais pour éviter toute coupure ou lacération des doigts ou des mains lorsque vous faites glisser le dosseret en place.

Lors d'une installation contre une surface combustible, l'utilisation d'un dosseret bas est optionnelle. Vous devez acheter séparément un dosseret bas THERMADOR. Voir « *Espaces libres pour l'installation* » à la page 30.

NOTE : Si un dosseret de protection est utilisé avec le dosseret bas de l'appareil, installez d'abord le dosseret de protection, puis le dosseret bas avant de remettre la cuisinière à sa place.

Outils Requis

Tournevis ou mèche Torx T-20

Gants de protection

1. Selon le modèle, enlevez les (3) vis Torx T-20 en acier inoxydable de la partie avant de la garniture d'îlot.

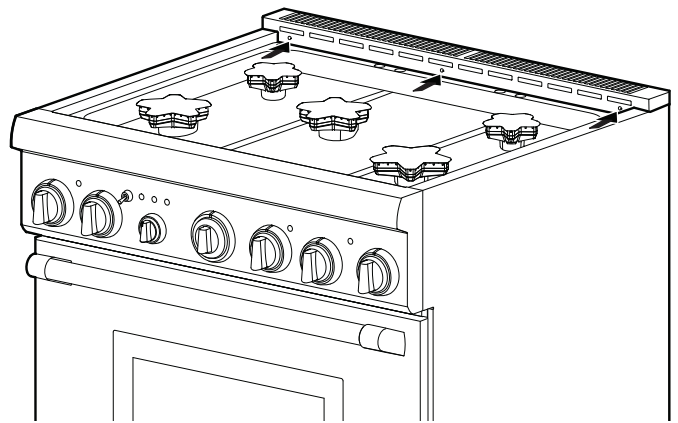


Figure 18 : Retrait des vis de la partie avant

2. Enlevez les (4) vis taraudeuses retenant la garniture aux panneaux latéraux ainsi que les (2) ou (4) vis taraudeuses du panneau arrière. Tirez vers le haut pour l'enlever complètement.

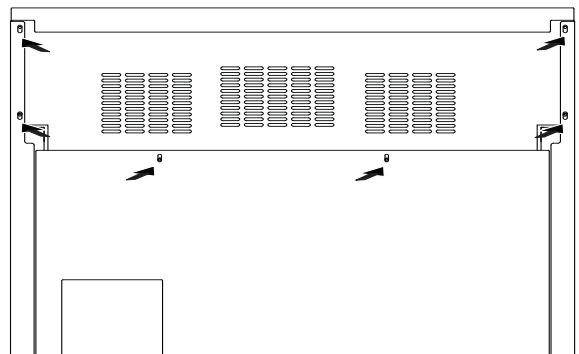


Figure 19 : Retrait des vis arrière

3. Alignez le panneau arrière du nouvel accessoire avec les brides des coins arrière droit et gauche des panneaux latéraux de la cuisinière. Le dossieret s'insère dans les canaux de guidage situés à l'arrière de la cuisinière (Figure 20).

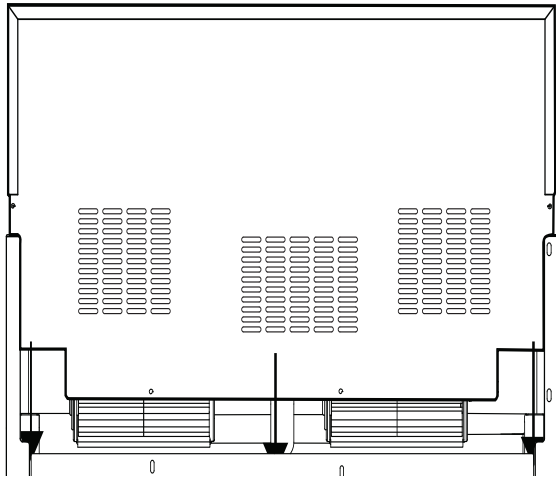


Figure 20 : Installation du dossieret

4. Assurez-vous que la face du dossieret est à l'extérieur des brides, vers l'avant de la cuisinière.

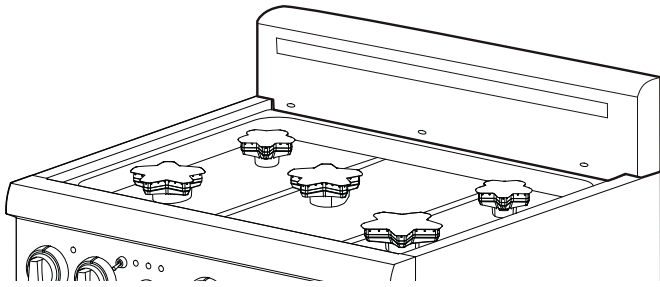


Figure 21 : Vue de face du dossieret bas

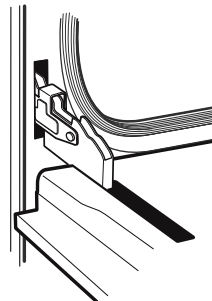
5. Remettez en place les vis enlevées aux étapes 1 et 2.

ÉTAPE 8 : Retrait et installation de la porte

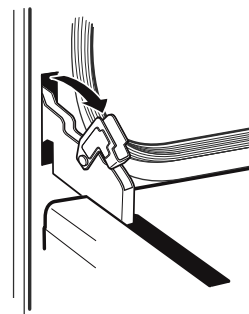
⚠ MISE EN GARDE

- FAITES ATTENTION LORSQUE VOUS ENLEVEZ LA PORTE. ELLE EST TRÈS LOURDE.
- Pour éviter tout risque de brûlure ou de décharge électrique, assurez-vous que le four est froid et que l'alimentation électrique est coupée avant d'enlever la porte du four.
- La porte est lourde et fragile. Utilisez vos deux mains pour l'enlever ou la remettre en place.
- Si vous ne saisissez pas la porte fermement et adéquatement, vous pourriez endommager l'appareil ou vous blesser.
- Lorsque la porte est enlevée, ne lâchez jamais la poignée pour essayer de fermer les charnières. Sans le poids de la porte, les puissants ressorts des charnières se refermeront avec beaucoup de force.

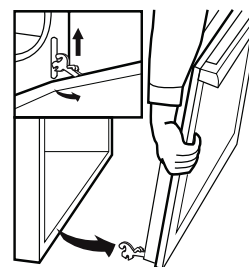
Retrait de la porte



1. Assurez-vous de lire la mise en garde ci-dessus avant d'enlever la porte.
2. Ouvrez complètement la porte.



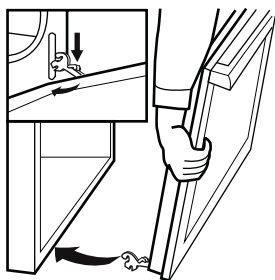
3. Rabattez les griffes à charnières vers le bas. Vous pourriez avoir besoin d'un tournevis pour les faire basculer.
4. Fermez la porte doucement jusqu'à ce qu'elle repose contre les griffes à charnières. Lorsque celles-ci sont en position ouverte, la porte reste ouverte à un angle fermé environ à 30° par rapport à sa position fermée.



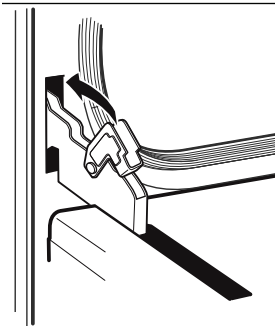
5. Prenez la porte par les extrémités et soulevez-la. Les ressorts offriront une certaine résistance.
6. Soulevez doucement la porte pour la faire sortir des fentes.
7. Placez la porte à un endroit sûr et stable.

Figure 22 : Trait de la porte

Réinstallation de la porte

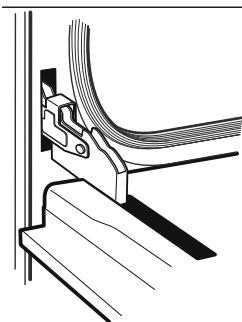


1. Prenez la porte fermement avec vos deux mains.
2. Tenez la porte à un angle de 30° par rapport à sa position fermée. Insérez les charnières en les centrant dans les fentes. Lorsque vous les installez convenablement, elles s'enclenchent solidement dans les fentes. Ne forcez pas et ne pliez et ne tordez pas la porte.



3. Ouvrez complètement la porte pour exposer les charnières, les leviers et les fentes.

4. Faites basculer les charnières vers l'avant et vers le bas jusqu'à ce qu'elles reposent dans les fentes. Vous pourriez avoir besoin d'un tournevis pour remettre les griffes à charnière en place.



5. Fermez et ouvrez la porte pour vous assurer qu'elle est installée correctement.

Figure 23 : Réinstallation de la porte

Vérification de l'installation et du fonctionnement de la porte

1. Ouvrez et fermez la porte lentement pour vous assurer qu'elle bouge normalement et qu'elle s'adapte bien à la cavité du four. Ne forcez pas pour l'ouvrir ou la fermer. Si la porte est bien installée, elle devrait être facile à ouvrir et être alignée avec le devant du four lorsqu'elle est en position fermée.
2. La cuisinière doit être bien nivelée pour que les portes du four s'alignent correctement. Voir « ÉTAPE 9 : Mise en place et nivelage de la cuisinière ».
3. Si la porte ne fonctionne pas correctement, assurez-vous que les charnières sont bien appuyées dans les fentes et que les griffes à charnières sont bien installées au fond des fentes.

4. Vous pouvez ajuster l'inclinaison en vissant ou dévissant à l'aide d'un grand tournevis Torx T-20 la vis Torx de la charnière, située directement au-dessus de la fente de la charnière. Tournez la vis jusqu'à ce que la porte soit correctement alignée.

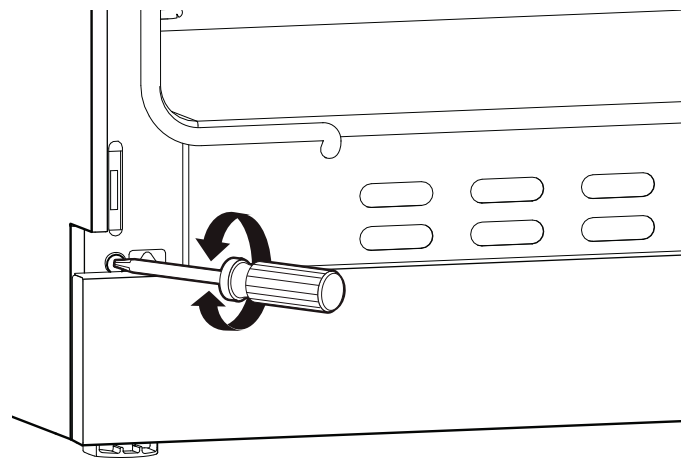


Figure 24 : Vis d'ajustement des charnières

ÉTAPE 9 : Mise en place et nivelage de la cuisinière

Ajustement des pattes de nivelage

⚠ MISE EN GARDE

Les côtés supérieurs des panneaux latéraux de la cuisinière doivent être à la même hauteur ou plus haut que le comptoir adjacent. Si la cuisinière se trouve à une hauteur inférieure que l'armoire adjacente lorsqu'elle fonctionne, les températures excessives qui se dégagent de la cuisinière pourraient endommager les armoires et le comptoir (Figure 25).

Pour fonctionner adéquatement, la cuisinière doit être nivelée. Cela est particulièrement important pour tous les appareils munis d'une plaque chauffante. Pour un rendement optimal, vous devriez vous assurer que la cavité du four est également nivelée.

Les modèles de 30 et 36 pouces sont munis de (4) pattes de nivelage (une à chaque coin) qui sont vissées dans la structure de base en aluminium coulé. Les modèles de 48 po en ont six.

1. Mesurez d'abord la hauteur du comptoir avec un ruban et ajoutez 1/16 po - 1/8 po (2-3 mm). Ajustez les pattes en conséquence avant de pousser la cuisinière à son emplacement définitif (Figure 25).

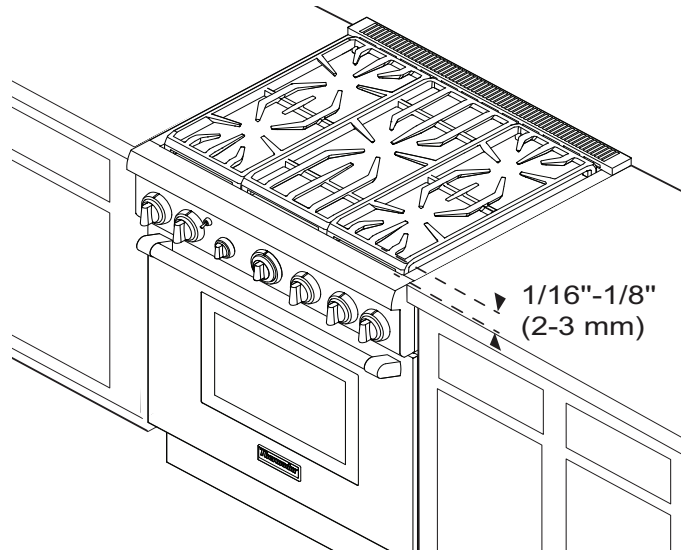


Figure 25 : Réglage de la hauteur de la cuisinière

2. Faites tourner les pattes en utilisant une clé ajustable de 12 po sur le côté plat de chacune d'elles. Vous devriez ajuster la hauteur des quatre pattes des coins en alternant jusqu'à ce que les rebords supérieurs des panneaux latéraux de la cuisinière soient plus ou moins à la hauteur du comptoir.

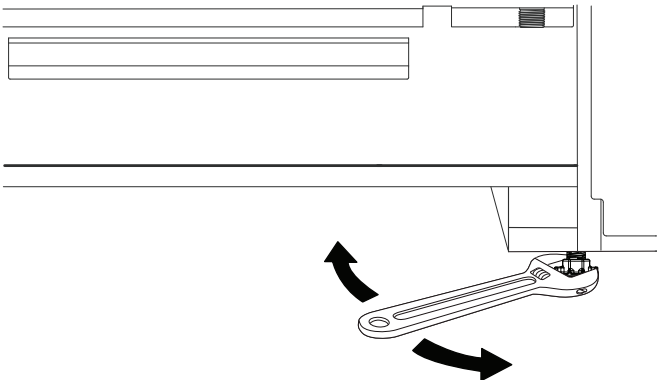


Figure 26 : Ajuster les Pattes

3. Vous devez ajuster totalement les deux pattes arrière avant de pousser la cuisinière à son emplacement définitif.
4. Au moment d'installer la cuisinière à son emplacement définitif, assurez-vous que le dispositif anti-bascule s'insère correctement. Pour ce faire, vous pouvez regarder à travers l'ouverture située à l'avant de la cuisinière, près du sol.
5. Lorsque la cuisinière se trouve à son emplacement définitif, ajustez les deux pattes avant pour l'aligner avec le comptoir.

Ajustement du panneau de seuil (plinthe)

1. Enlevez les vis du panneau de seuil à l'aide d'un tournevis Torx T-20.
2. Remplacez le panneau à l'une des cinq positions de trou de vis, comme illustré sur la *Figure 27*. Réinstallez les vis Torx.

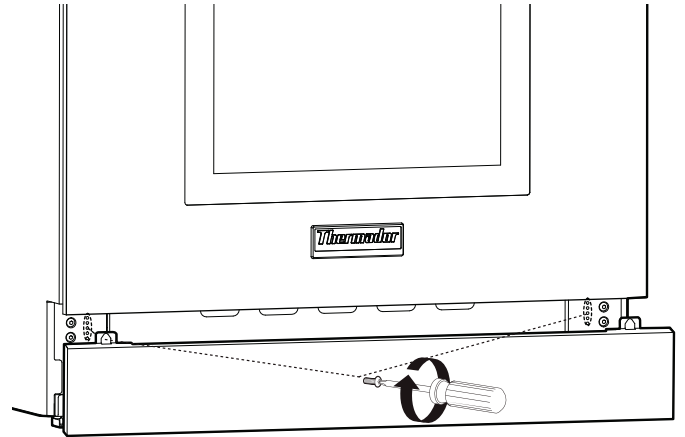


Figure 27 : Ajustement du panneau de seuil (plinthe)

3. Refaites la même chose de l'autre côté en veillant à ce que le panneau soit de niveau.
 - Le panneau de seuil (plinthe) de la cuisinière doit se trouver au moins à 0,5 po (12,7 mm) au-dessus du sol.

Plaque signalétique

La plaque signalétique indique le modèle et le numéro de série de votre cuisinière. Elle est située sur le cadre, derrière la porte du four (voir illustration).

Les schémas de câblage électrique et les dessins placés dans la zone de la base ne doivent pas être enlevés sauf par un technicien de service. Remettez en place après l'entretien.

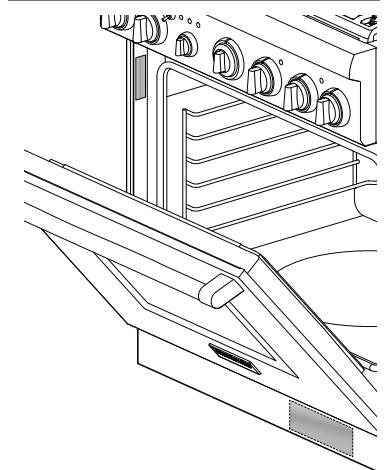


Figure 28 : Emplacement plaque signalétique et diagramme

ÉTAPE 10 : Test des brûleurs

Installez tous les éléments libres, comme les capuchons et les grilles des brûleurs, ayant été retirés précédemment. Assurez-vous que les capuchons des brûleurs sont adéquatement placés sur les bases des brûleurs. Avant de vérifier le fonctionnement de l'appareil, assurez-vous qu'aucune fuite n'émane de l'appareil et de la soupape de gaz, assurez-vous que l'appareil est branché à l'alimentation électrique. Ouvrez la soupape d'arrêt de gaz manuelle.

NOTE:

Avant de mettre le four en marche, tous les boutons du four doivent être à la position OFF. Pour prévenir tout fonctionnement non voulu lors de la mise en marche du four, veuillez placer tous les boutons à la position OFF. Pour assurer la sécurité de l'utilisateur lors d'une panne d'électricité, un message annonçant une erreur apparaît à l'écran de l'appareil lors de la reprise du courant, à moins que tous les boutons soient à la position OFF. Remettez tous les boutons à la position OFF et réinitialisez le disjoncteur pour éliminer ce message.

Vérifiez les brûleurs de surface

Vérifiez la fonction d'allumage des brûleurs

Choisissez un bouton de brûleur. Poussez et tournez dans le sens antihoraire à HI. Le module allumeur/étincelle produit un déclic. Une fois l'air purgé de la canalisation d'alimentation, le brûleur devrait s'allumer en moins de 4 secondes.

Vérifiez la flamme : Réglage haut

Tournez le bouton à HI. Voir Figure 29 pour les caractéristiques de flamme appropriées.

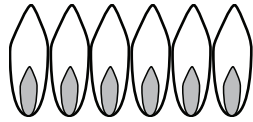
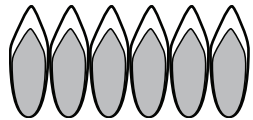
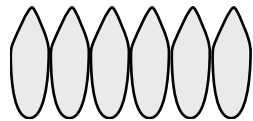
Si un des brûleurs de surface continue de brûler ou qu'il est complètement jaune, vérifiez si le capuchon est positionné adéquatement sur la base du brûleur, puis essayez de nouveau. **Éventez chacune des flammes et laissez les brûleurs se rallumer pour vous assurer que le dispositif fonctionne adéquatement.** Si les caractéristiques de flamme ne s'améliorent pas, communiquez avec THERMADOR^{MC} entretien.

Vérifiez la flamme : Réglage bas

Tournez le bouton à SIM. Vérifiez si la flamme enveloppe complètement le brûleur. Il doit y avoir une flamme à chaque port du brûleur et il ne doit pas y avoir d'intervalle d'air entre la flamme et le brûleur. Si les brûleurs ne sont pas enveloppés, communiquez avec THERMADOR^{MC} entretien.

Certains brûleurs de surface sont munis de la technologie XLO. Lorsque le sélecteur est réglé à la fonction XLO, la flamme s'allume et s'éteint périodiquement. Cela est normal.

Répétez l'allumage et la vérification de la flamme décrits pour chaque brûleur de surface et pour celui du grill (si tel est le cas).

Flamme jaune : Réglage nécessaire.	
Pointe jaune sur cône extérieur : Normal pour gaz LP.	
Flamme bleue : Normal pour gaz naturel.	

Si la flamme est complètement ou presque jaune, assurez-vous que le régulateur est réglé pour le combustible approprié. Après le réglage, vérifiez de nouveau.

Des rayures de couleur orangée sont normales pendant la mise en marche initiale.

Laissez l'appareil fonctionner de 4 à 5 minutes et évaluez de nouveau avant d'effectuer les réglages.

Figure 29 : Caractéristiques des flammes

Lorsque la flamme est adéquatement réglée :

Il doit y avoir une flamme à chaque port du brûleur. Il ne doit pas y avoir d'intervalle d'air entre la flamme et le port du brûleur.

Communiquer avec THERMADOR^{MC} entretien si :

1. Un brûleur ne s'allume pas.
2. Si la flamme d'un brûleur reste jaune.

Liste de vérification pour l'installateur

Contrôle Final

Alimentation en gaz

____ Le robinet manuel d'arrêt de gaz a été installé à un endroit accessible (sans devoir déplacer la cuisinière).

____ L'appareil a été testé et n'a pas de fuites de gaz.

____ La vanne d'arrêt de gaz manuel a été installée à un endroit facile d'accès (sans qu'il soit nécessaire de déplacer la cuisinière). Le propriétaire sait où se trouve la vanne d'arrêt de gaz.

____ L'appareil a été testé et il n'y a aucune fuite de gaz.

____ Si la cuisinière fonctionne au gaz propane, assurez-vous que l'alimentation en propane est pourvue de son propre détendeur en plus du détendeur fourni avec l'appareil.

Électricité

____ La prise de courant sur laquelle le cordon d'alimentation est branché est bien protégée contre les surtensions.

____ Une mise à la terre adéquate a été installée.

____ Le propriétaire sait où se trouve le disjoncteur principal.

Fonctionnement

____ Les marques sont bien centrées sur les commandes des brûleurs et les boutons tournent librement.

____ Chaque brûleur s'allume correctement, seul ou avec d'autres brûleurs allumés.

____ Les crochets charnières de la porte du four sont bien en place et se verrouillent correctement. La porte s'ouvre et se ferme correctement.

____ Les grilles des brûleurs sont bien placées, nivelées et ne bougent pas.

____ **INSTALLATEUR** : Écrivez le numéro de modèle et le numéro de série se trouvant sur la plaque signalétique dans le MANUEL D'UTILISATION ET D'ENTRETIEN (la plaque se trouve du côté droit de la cuisinière, entre la cavité du four et le panneau latéral). Laissez le MANUEL D'UTILISATION ET D'ENTRETIEN ainsi que le MANUEL D'INSTALLATION au propriétaire de l'appareil.

Nettoyage et protection des surfaces externes

- Frottez toujours l'acier inoxydable dans le sens du grain.
- Pour nettoyer et protéger l'acier inoxydable, utilisez le produit Stainless Steel Conditioner de Thermador, en vente à la boutique électronique Thermador (www.thermador-eshop.us).
- Pour faire briller et protéger l'acier inoxydable, utilisez un produit nettoyant ou un poli comme Stainless Steel Magic^{mc}.
- **NE laissez PAS** les taches s'incruster.
- **N'utilisez PAS** de tampons ni de brosses métalliques. De petits morceaux de métal risquent d'adhérer à la surface et de la faire rouiller.
- **NE laissez PAS** les solutions salines, les désinfectants, l'eau de Javel ou les produits de nettoyage en contact avec l'acier inoxydable. Ces produits contiennent en général des produits chimiques susceptibles de l'endommager. Rincez-les à l'eau puis séchez avec un chiffon sec.

Dépannage

Voyez le Guide d'Utilisation et d'entretien pour les renseignements de dépannage.

Índice de materias

Instrucciones de Seguridad	49
Antes de empezar.....	49
Información de instalación	51
Información de planificación	51
PASO 1: Requerimientos de ventilación	51
PASO 2: Preparación de gabinetes	52
Especificaciones	52
PASO 3: Desempacar, mover y posicionar la estufa	57
PASO 4: Instalar el dispositivo antivolcadura	58
PASO 5: Requerimientos de gas y conexiones	59
PASO 6: Requerimientos eléctricos, conexión y puesta a tierra	60
PASO 7: Instalación de la consola trasera	63
PASO 8: Quitar y reinstalar la puerta	66
PASO 9: Colocar y nivelar la estufa	67
PASO 10: Pruebas de quemador	69
Lista de chequeo del instalador	70
Servicio, Piezas y Accesorios	contraportada

Definiciones de seguridad

⚠ ADVERTENCIA

Esto indica que se pueden producir lesiones graves o la muerte si no se cumple con esta advertencia.
--

⚠ PRECAUCIÓN

Esto indica que pueden producirse lesiones leves o moderadas si no se cumple con esta advertencia.
--

NOTA: Esto indica que puede producirse un daño al electrodoméstico o a la propiedad como resultado de la falta de cumplimiento de este aviso.

Nota: Esto lo alerta sobre información y/o consejos importantes.

Este electrodoméstico de
THERMADOR® está hecho por
BSH Home Appliances Corporation
1901 Main Street, Suite 600
Irvine, CA 92614

¿Preguntas?

1-800-735-4328
www.thermador.com

¡Esperamos oír de usted!

Instrucciones de seguridad



INSTRUCCIONES IMPORTANTES DE SEGURIDAD

Lea Todas Las Instrucciones Antes De Continuar

Antes de empezar

INSTALADOR: Guarde estas instrucciones para el inspector de la empresa proveedora de gas de su localidad. Deje esas instrucciones de instalación con el aparato para el propietario.

PROPIETARIO: Guarde estas instrucciones para futuras referencias.

ADVERTENCIA



Desconecte la corriente antes de la instalación. Antes de prender la corriente, asegúrese de que todos los controles estén en la posición OFF.

ADVERTENCIA



Un niño o un adulto podrían volcar el aparato y perder la vida. Asegúrese de que el dispositivo antivuelco esté instalado adecuadamente y que su soporte retenga la pata del aparato al reinstalarlo en su sitio.

No utilice el aparato si el dispositivo antivuelco no está instalado. El hecho de no leer las instrucciones de este manual puede causar la muerte o graves quemaduras a niños y adultos.

Asegúrese de que el soporte antivuelco esté bien instalado y debidamente utilizado. Incline levemente la estufa por delante tirando de la parte posterior para asegurarse de que la pata del aparato esté bien enganchada en el soporte antivuelco y que el aparato no pueda volcar. La estufa no debería poder moverse más de una pulgada (2,5cm).

INSTRUCCIONES DE LA TOMA DE TIERRA

Es necesario hacer la toma de tierra de este aparato. La toma de tierra reduce los riesgos de descarga eléctrica proporcionando a la corriente eléctrica una vía de escape en caso de cortocircuito.

IMPORTANTE:

Los códigos locales pueden variar. La instalación, las conexiones eléctricas y la toma de tierra deben cumplir con todos los códigos aplicables.

PARA INSTALACIONES EN MASSACHUSETTS:

1. La instalación debe realizarse por un contratista, un plomero o un técnico de gas cualificado o autorizado por el estado, la provincia o región donde se está instalando este aparato.
2. La válvula de cierre debe ser un grifo de gas en T.
3. El conducto flexible de gas no debe medir más de 36 pulg. (914 mm).

ADVERTENCIA

No leer la información en este manual podría provocar un incendio o una explosión, y como resultado daños a la propiedad, lesiones o la muerte.

-- No guarde o use materiales combustibles, gasolina u otros gases o líquidos inflamables cerca de este o cualquier otro aparato.

-- QUÉ HACER EN CASO DE OLER A GAS

- No trate de encender ningún aparato.
- No toque ningún interruptor eléctrico.
- No use ningún teléfono en su casa.
- Llame de inmediato a su proveedor de gas desde el teléfono de algún vecino y siga las instrucciones de su proveedor de gas.
- Cuando no pueda localizar a su proveedor de gas, llame a los bomberos.
- Un instalador cualificado, una agencia de servicio autorizada o el proveedor de gas debe realizar la instalación y el servicio.

NOTA: Esta estufa NO está diseñada para una instalación en casas rodantes prefabricadas o en remolques usados en parques recreativos.

NO instale esta estufa afuera.



INSTRUCCIONES IMPORTANTES DE SEGURIDAD

Lea Todas Las Instrucciones Antes de Continuar

Verificación del tipo de GAS

Verifique el tipo de gas suministrado en el lugar. Asegúrese que el aparato esté conectado al tipo de gas para el cual está certificado. Todos los modelos están certificados para el uso con gas natural. La conversión del aparato para el uso con gas propano requiere de un kit de conversión (PALPKITHP).

PRECAUCIÓN

Cuando conecta el aparato a gas propano, asegúrese de que el tanque de gas propano venga con su propio regulador de alta presión además del regulador de presión que se incluye con la estufa. La máxima presión de gas de este aparato no debe exceder 14.0 pulgadas de columna de agua (34.9 mb) del tanque de gas propano al regulador de presión.

Suministro de gas

Gas natural — 6 pulg. columna agua (14.9 mb) mín., 14 pulg. (34.9 mb) máximo

Gas propano — 11 pulg. columna agua (27.4 mb) mín., 14 pulg. (34.9 mb) máximo

Alimentación eléctrica:

(Vea *página 60* para las especificaciones.)

Incumbe al dueño y al instalador determinar si requisitos o normas adicionales se aplican a la instalación específica.

Este aparato cumple con una o más de las siguientes normas:

- ANSI Z21.1 – norma americana para aparatos domésticos de gas
- UL 858 – norma de seguridad para estufas eléctricas domésticas
- CAN/CSA-C22.2 No 61 – norma canadiense para estufas domésticas
- CAN/CGA1.1-M81 – estufas domésticas de gas

Consulte los códigos locales de construcción para el método apropiado de instalación del aparato. Los códigos locales pueden variar. La instalación, conexiones eléctricas y conexiones a tierra deben cumplir con los códigos aplicables. En la ausencia de códigos locales el aparato debe ser instalado de acuerdo al National Fuel Gas Code (Código Nacional de Gas Combustible) ANSI Z223.1/NFPA

54 vigente y al National Electrical Code (Código Nacional de Electricidad) ANSI/NFPA 70 vigente. En Canadá, la instalación debe ser conforme al 1-B149.1 and .2 – Installation Codes for Gas Burning Appliances (Códigos de Instalación para Unidades que Queman Gas) y/o códigos locales.

IMPORTANTE: Cuando se instala contra una superficie combustible, la utilización de una consola trasera baja es opcional. La consola trasera baja THERMADOR se compra por separado. Vea el paso 7 para obtener información sobre las consolas traseras, los juegos y su instalación.

El espacio libre hasta una superficie combustible es de cero pulgadas (vea la *“Espacios libres para la instalación”*).

Consulte *Tabla 1 en la página 63* para los modelos de consolas correctas que están diseñadas para esta estufa. Después de seleccionar la consola trasera correcta se debe instalar la estufa correctamente, usando los mínimos espacios libres a superficies combustibles especificadas en las instrucciones de instalación de gabinetes en la *“Espacios libres para la instalación”*.

ADVERTENCIA

Para evitar un posible riesgo de quemaduras o fuego se debe instalar una consola trasera de protección diseñada específicamente para esta estufa antes de utilizarla.

PRECAUCIÓN

El aparato sirve para cocinar. Basado en consideraciones de seguridad, nunca debe usarlo para calentar una habitación.

ADVERTENCIA

Advertencias en virtud de la Proposición 65 del estado de California

Este producto contiene una o más sustancias químicas que el estado de California sabe que provocan cáncer, defectos congénitos, u otro daño reproductivo.

Examine el aparato después de haberlo desempaquetado. Si fue dañado durante el transporte, no lo enchufe.

Quite toda la cinta y el material de embalaje antes de utilizar el aparato. Tire el material de embalaje después de la instalación. Nunca deje que los niños jueguen con el material de embalaje.

Información de instalación

Información de planificación

Antes de usar su aparato, asegúrese de leer este manual. Ponga especial atención a las Instrucciones importantes de seguridad al principio del manual.

HERRAMIENTAS REQUERIDAS	
Llave poligonal o de carraca de 7/16 pulg.	Broca de 1/8 pulg. (3,17 mm)
Broca de 3/16 pulg. (4,76 mm)	Llave de boca ajustable de 12 pulg.
Taladro eléctrico o de mano	Cinta métrica
Destornillador plano o estrella	Lápiz u otro marcador
Nivel	Plataforma de ruedas
Destornillador Torx T-20	Guantes de protección
ELEMENTOS NO INCLUIDOS	
Anclajes para yeso-cartón u hormigón	Compuesto/cinta para conducto
Cuerda/cordel	Conducto flexible de 3/4 pulg. (19 mm)
(2) adaptadores para brida, conformes a la norma NPT	

PASO 1: Requisitos de ventilación

Es altamente recomendado que este aparato se instalado en conjunto con una campana de extracción THERMADOR. Debido a la alta capacidad de calentamiento de esta unidad, se debe prestar particular atención al trabajo de instalación de la campana y del ducto para asegurar que cumpla con los códigos locales de construcción.

No debería usar este aparato con un sistema de ventilación de corriente descendiente.

IMPORTANTE: Las campanas de ventilación y los ventiladores están diseñados para usarse con conductos sencillos de pared. Sin embargo, algunos códigos locales de construcción o inspectores de obras pueden requerir conductos dobles de pared. Consulte los códigos locales de construcción o con las agencias locales antes de

comenzar para estar seguro de que la instalación de la campana y de los conductos cumple con los requisitos locales.

IMPORTANTE: Puede ser que la pared trasera se decolore al utilizar ciertos modos de cocción.

AVISO: La mayor parte de las estufas tienen componentes combustibles que se deben tener en cuenta al planificar la instalación.

ADVERTENCIA

No se debería instalar este aparato con un sistema de ventilación de corriente descendiente. Este tipo de sistema de ventilación puede presentar riesgo de ignición y problemas de combustión, provocando lesiones corporales, daños materiales o un funcionamiento involuntario. No se aplica ninguna restricción a los sistemas de ventilación de corriente ascendiente.

Preparación de la ventilación

1. Seleccionar la campana y el ventilador:

- Para instalaciones en la pared, la anchura de la columna debe ser por lo menos igual a la anchura de la estufa. Donde el espacio lo permite, se puede instalar una campana más ancha que la superficie de la estufa para que la campana funcione mejor.
- Para instalaciones de tipo isla, la campana colgada debe ser por lo menos 3 pulgadas (76 mm) más ancha de cada lado que la superficie de la estufa.
- Se debe utilizar una campana acreditada de una potencia de al menos 300 pi³/min e instalarla conforme a las instrucciones proporcionadas.

2. Colocar la campana:

- Para eliminar mejor el humo, el borde inferior de la campana debe estar a una distancia mínima de 30 pulg. (762 mm) encima de la superficie de la estufa (vea la “Espacios libres para la instalación”).
- Deje un espacio libre de un mínimo de 36 pulg. (914 mm) si la campana está hecha de materiales combustibles, como madera (vea la “Espacios libres para la instalación”).

3. Considere una fuente de aire de recambio:

- Debido al alto volumen de aire de ventilación requerido, se recomienda tener una fuente externa de aire. Esto es sumamente importante para hogares bien sellados y aislados. Debe consultar a un contratista cualificado en calefacción y ventilación.

PASO 2: Preparación de los armarios

- La estufa es un aparato aislado e independiente. Si desea colocar el aparato junto a armarios, debe instalarla dejando los espacios libres que se muestran en la “Espacios libres para la instalación”. Los mismos espacios libres se aplican a instalaciones tipo isla, excepto por los armarios colgados, que deben tener un espacio suficientemente ancho para aceptar la campana de isla acampanada.
- El suministro de gas y la alimentación eléctrica deben estar dentro de la zona indicada en la *Figura 4*.
- Se deben sellar todas las aberturas situadas en la pared detrás de la estufa y en el piso debajo de la estufa.
- Cuando se instala contra una superficie combustible, la utilización de una consola trasera baja es opcional. La consola trasera baja THERMADOR se compra por separado. Vea el paso 7 para obtener información sobre las consolas traseras, los juegos y su instalación.
- El espacio libre hasta una superficie combustible es de cero pulgadas (consulte “Espacios libres para la instalación”).
- Cuando la estufa se instala sobre una pared combustible, se requiere un espacio libre de un mínimo de 5 pulg. (127 mm) entre la estufa y la pared.
- Siempre mantenga la zona alrededor del aparato limpia y no deje materiales combustibles, gasolina y otros gases y líquidos inflamables cerca del aparato.
- No obstruya el flujo del aire de combustión y de ventilación del aparato.
- La máxima profundidad de los armarios colgados de cualquier lado de la campana es de 13 pulg. (330 mm).
- Se necesita un espacio libre mínimo de 36 pulgadas (914 mm) entre la superficie de la estufa y la parte inferior de un armario no protegido. Se puede usar un espacio libre de 30 pulg. (762 mm) cuando el fondo de un armario de madera o de metal esté protegido por un material ignífugo de un grosor mínimo de ¼ de pulgada (6,35 mm) cubierto por una lámina de acero 28 MSG, de acero inoxidable con un grosor de 0,015 pulgada (0,4 mm), de aluminio con un grosor de 0,024 pulgad (0,6 mm), o de cobre con un grosor de 0,020 pulgada (0,5 mm).
- Los materiales ignífugos llevan la marca siguiente: UNDERWRITERS LABORATORIES INC. CLASSIFIED MINERAL Y FIBER BOARDS SURFACE BURNING CHARACTERISTICS. Esta indicación está seguida por el índice de propagación de las llamas y del humo. Estas designaciones aparecen como “FHC”. Los materiales que tienen un índice de propagación de llamas de “0” son ignífugos. Los códigos locales

pueden permitir índices de propagación de las llamas diferentes. Incumbe al dueño y al instalador asegurarse de que la instalación se haga conforme a este índice.

Especificaciones

Descripción	30" Horno
Anchura total	29-15/16" (760)
Corte a lo ancho	30" (762 mm)
Altura total	35 7/8" - 36 3/4" (911-933 mm)
Profundidad de la parte trasera a la manija de la puerta	31 3/8" (797 mm)
Profundidad de corte	24" (610 mm)
Distancia mínima a pared posterior*	0" (cabeza del tornillo ~ 4mm)
Distancia mínima a las paredes combustibles del lado izquierdo y derecho*	5" (127 mm)
Espacio libre mínimo para campana extractora*	Arriba de la zona no combustible 30" (762 mm)
Requisitos de gas	Se envía con sistema para gas natural y juego conversión en el sitio para gas propano/GLP (proporcionado). Juego de conversión para gran altitud hasta 10 000 pies (3078 m) incluido - consulte las instrucciones.
Presión manifold	Naturel 12,5 mb (5") C.E./ Propano 27,4 mb (10") C.E.
Requisitos eléctricos	Consulte la información de requisitos eléctricos.
Quemador gas natural/ propano de valorar	18,000 BTU / 14,000 BTU 15,000 BTU / 11,000 BTU 10,000 BTU / 9,100 BTU 8,000 BTU / 6,000 BTU
Anchura interior de horno	Horno – 25" (635 mm)
Altura interior del horno	Horno – 16 1/4" (413 mm)
Profundidad interior de horno	Horno – 18 3/8" (467 mm)
Interior de horno AHAM	4.3 cubic feet
Peso de envío aproximado	374 lbs (170 kg)

* Tal como se define en el “Código Nacional de Gas Combustible” ANSI Z223.1, edición actual. Los espacios libres para las materias no combustibles no forman parte de la norma ANSI Z21.1 y no están certificados por la CSA.

Espacios libres para la instalación

Espacios libres entre los armarios y la campana

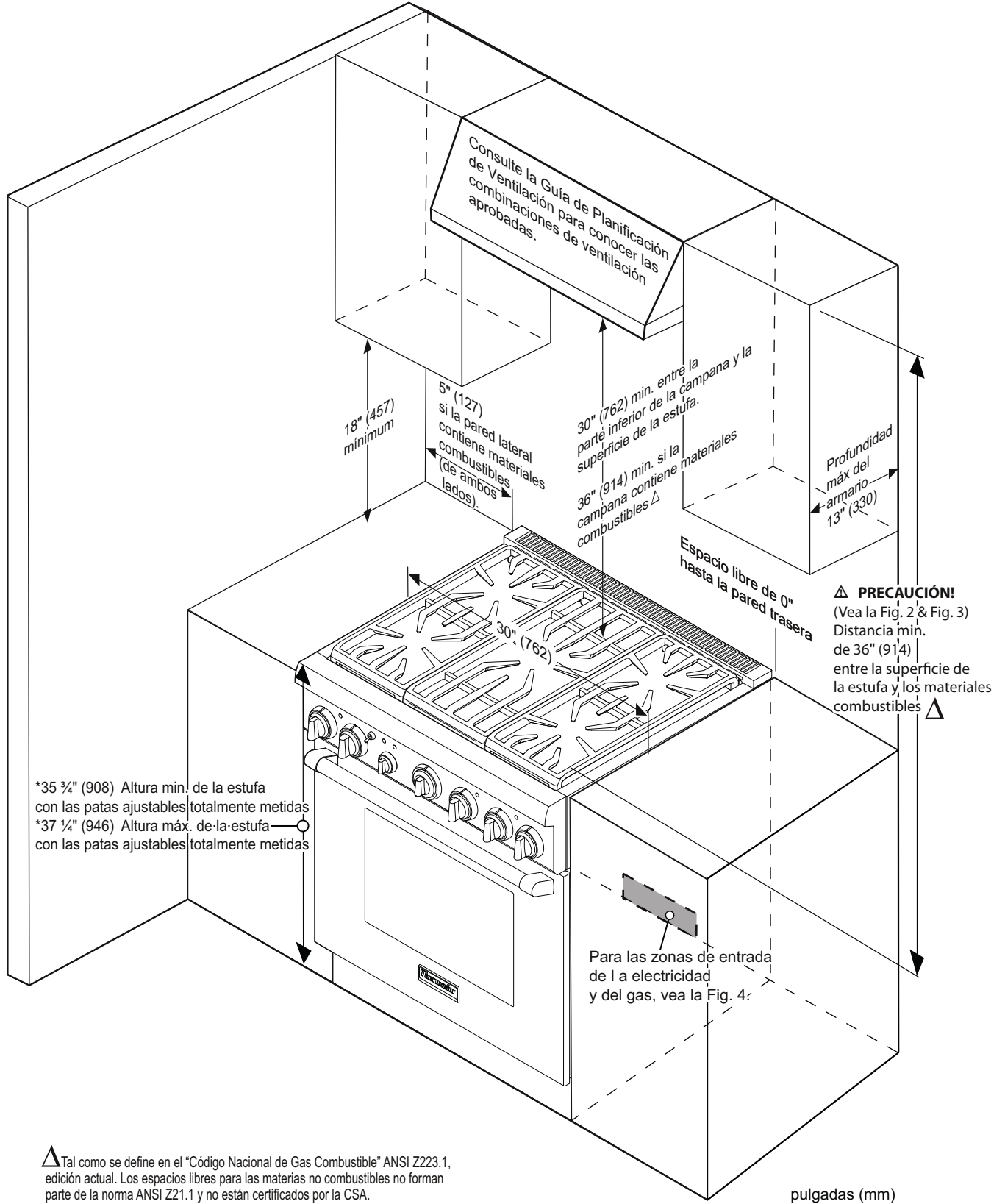
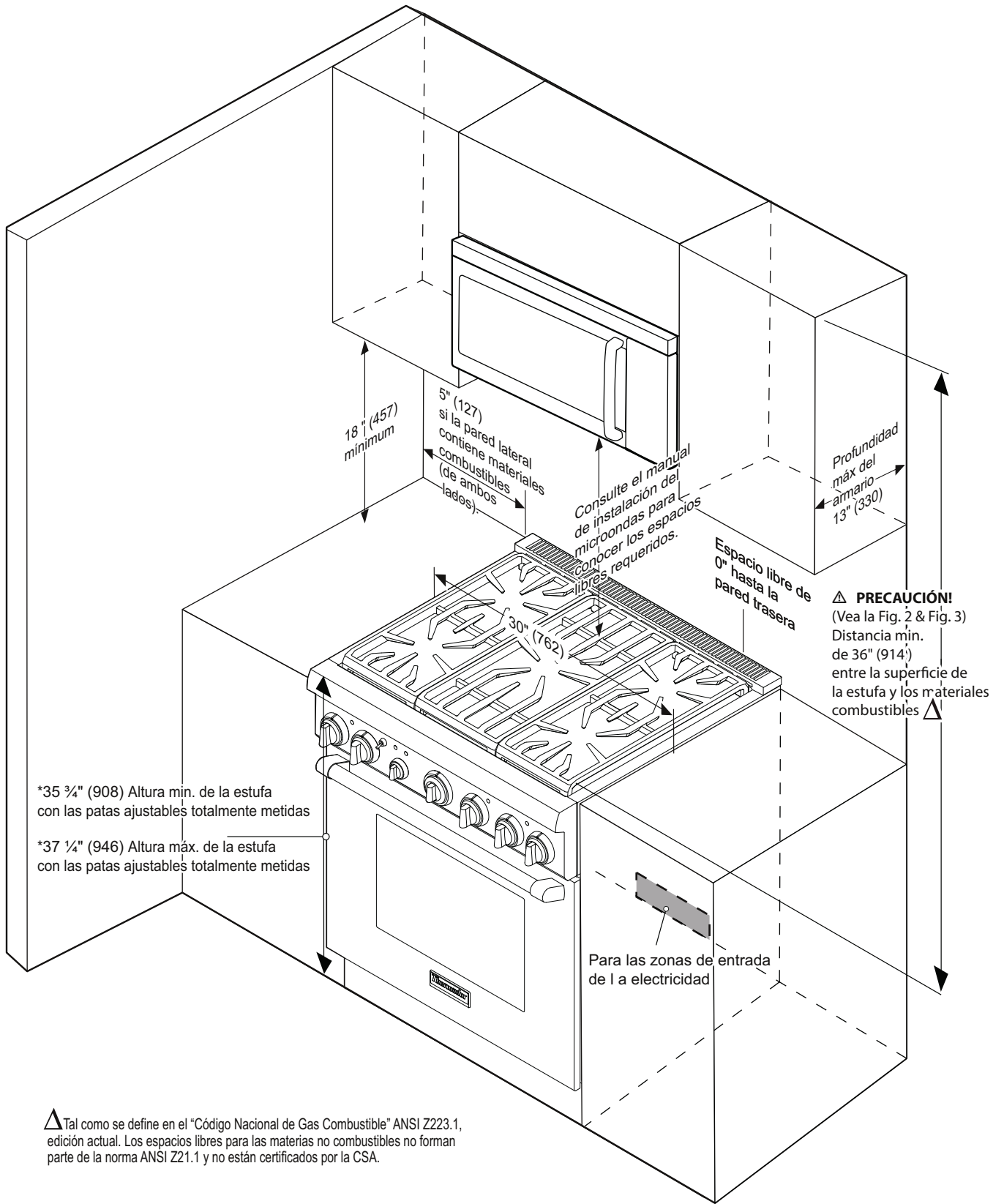


Figura 1: Espacios libres con un microondas instalado sobre la estufa

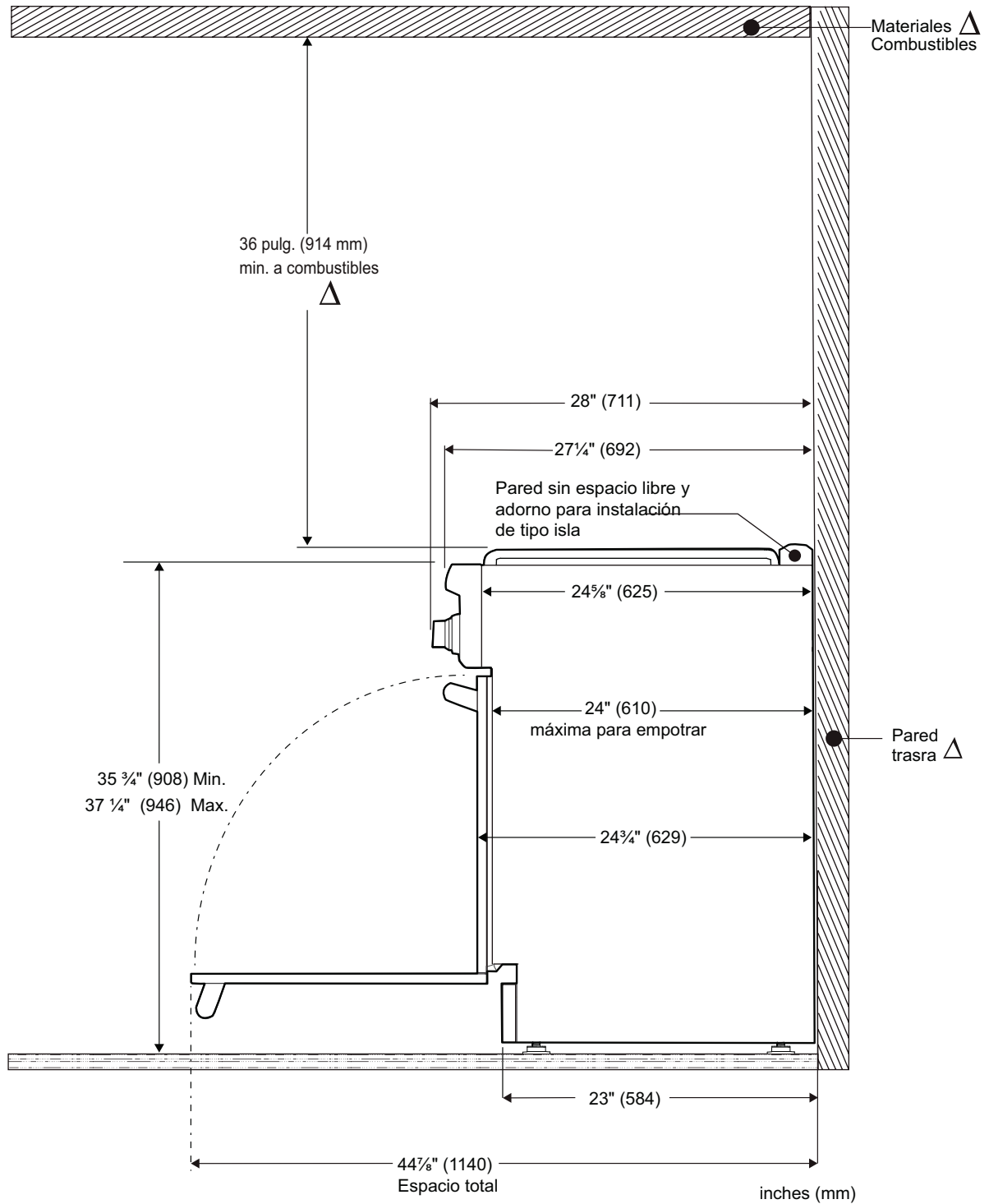
Espacios libres con un microondas instalado sobre la estufa



⚠ Tal como se define en el "Código Nacional de Gas Combustible" ANSI Z223.1, edición actual. Los espacios libres para las materias no combustibles no forman parte de la norma ANSI Z21.1 y no están certificados por la CSA.

Figura 2: Espacios libres con un microondas instalado sobre la estufa

Espacios libres laterales para la instalación



Δ Tal como se define en el "Código Nacional de Gas Combustible" ANSI Z223.1, edición actual. Los espacios libres para las materias no combustibles no forman parte de la norma ANSI Z21.1 y no están certificados por la CSA.

Figura 3: Espacios libres laterales para la instalación

Suministro eléctrico y de gas

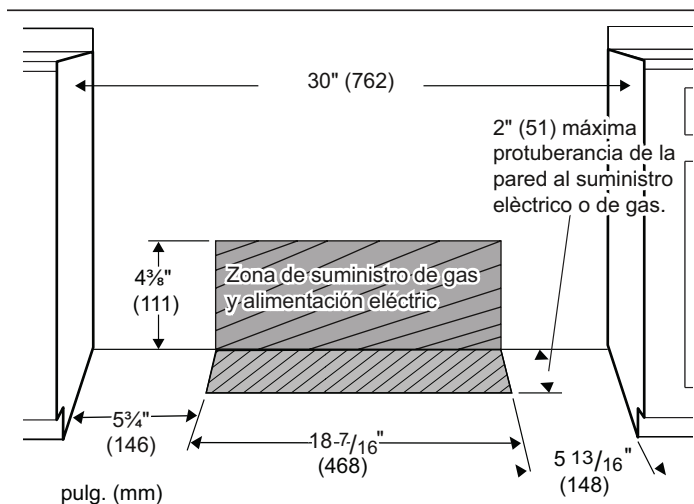


Figura 4: Suministro eléctrico y de gas para las estufas

NOTA:

- Si aún no existe, instale una válvula manual de cierre de gas en un lugar de fácil acceso.
- Asegúrese de que todos los usuarios sepan dónde y cómo cerrar el suministro de gas de la estufa.
- Se deben sellar todas las aberturas situadas en la pared detrás de la estufa y en el piso debajo de la estufa.

Este aparato está listo para su inmediata instalación gracias al cordón de cuatro cables y el tomacorriente con que se fabricó. La toma de tierra de los aparatos se debe hacer adecuadamente. Consulte el "PASO 7: Instalación de la consola trasera (opcional)".

Se debe conectar la estufa solamente al tipo de gas para el cual está certificada. Cuando conecte el aparato a gas propano, asegúrese de que el tanque de gas propano venga con su propio regulador de alta presión además del regulador de presión que se incluye con la estufa (vea el "PASO 6: Requerimientos eléctricos, conexión y puesta a tierra").

NOTA: La estufa está diseñada para estar nivelada casi perfectamente con la pared trasera. Para lograr una instalación exitosa, puede ser necesario que tenga que volver a colocar la línea de suministro de gas y los cables eléctricos según va empujando la estufa hacia su posición final.

SUGERENCIAS: Para conseguirlo, le sugerimos jalar cuidadosamente el suministro de gas y el cable eléctrico con una cuerda o un cordel mientras empuja la estufa hacia su posición final.

Alimentación Eléctrica

Se debe planear la instalación de la estufa de tal modo que la placa de la caja de conexiones del enchufe o de la conexión al gas deje el máximo espacio libre detrás del aparato.

Cuando se conecta el cable de alimentación o el conducto al receptáculo de acoplamiento o a la cubierta de la caja de conexiones, el conector enchufe / receptáculo o la cubierta de la caja de conexiones / conducto no debe salir más de 2 pulg. (51 mm) de la pared trasera (vea la Figura 5).

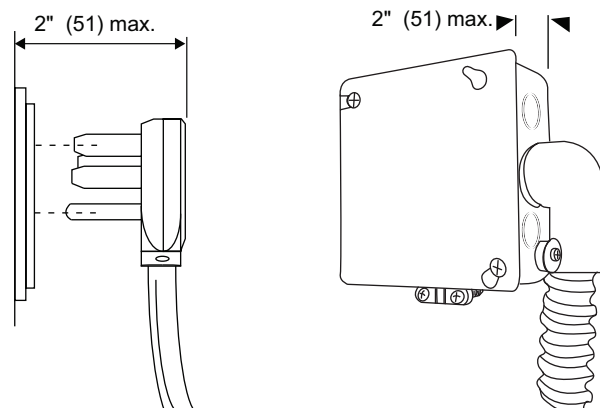


Figura 5: Conexión en la pared

NOTA: Los modelos de estufas destinados al mercado canadiense están equipados con un cable de alimentación.

Vea la *Figura 9 en la página 61* para conocer la ubicación de la caja de conexiones en el aparato. Para minimizar amarres una vez que el aparato está conectado al enchufe o a la caja de conexiones, oriente el enchufe o el conector de conductor y deslícelo hasta su posición original.

Al utilizar un tomacorriente, es posible que tenga que empotrar la caja en la pared trasera. Consulte el código de electricidad para establecer el volumen mínimo de todas las cajas eléctricas o de conexión que se usan. Respete todos los códigos de electricidad locales.

PASO 3: Desempacar y mover la estufa

⚠ PRECAUCIÓN



NO levante la estufa por la agarradera de la puerta, ya que esto puede dañar las bisagras de la puerta y causar que la puerta ya no quepa bien en la cavidad de la hornilla.



NO levante el aparato por el panel de control.

La estufa es pesada y se debe manejar en consecuencia. Para evitar lesiones y no dañar el aparato o el piso, se debe utilizar el equipo apropiado y por lo menos dos personas equipadas adecuadamente para mover la estufa.

Dichas personas deben llevar guantes de protección y evitar llevar anillos, relojes u otros objetos parecidos que pueden dañar o engancharse en el aparato.

Las superficies ocultas del aparato pueden tener salientes cortantes. Tenga cuidado al sujetar el aparato por debajo o por atrás.

No use una carretilla de mantenimiento manual o un carro para electrodoméstico en las partes frontal o trasera del aparato. Úselos únicamente en los lados.

Desempacar la estufa

NOTA: Una vez montado el electrodoméstico, se podrá retirar la lámina protectora para examinar el panel de control. No levante el aparato por el panel de control.

1. Quite la caja exterior de cartón y el material de empaque de la plataforma de expedición, pero deje las láminas de espuma adhesivas encima de las superficies de metal cepillado para proteger el acabado contra los rasguños hasta colocar la estufa en su posición final.
2. Se deben quitar las rejillas, la plancha, las tapas de los quemadores y las rejillas de la hornilla para facilitar el manejo. Se deben quitar las rejillas, la plancha, las tapas de los quemadores y las rejillas de la hornilla para facilitar el manejo. Si lo desea, puede también quitar las puertas de la hornilla (consulte el “PASO 2: Preparación de los armarios” en la página 52). No quite el ensamblaje de la plancha.

Mover la Estufa

Debido al peso se debe usar una carretilla con ruedas suaves para transportar esta unidad. El peso debe quedar soportado uniformemente sobre la parte inferior.

NOTA: Deberá seguir los pasos 4 a 8 antes de colocar la estufa en su emplazamiento definitivo. Para el adecuado funcionamiento de la estufa, ésta debe estar nivelada. Consulte el “PASO 9: Colocar y nivelar la estufa” en la página 67 para obtener instrucciones al respecto.

Quitar los pernos de la tarima

1. Para quitar los cuatro (4) pernos de la tarima que se ubican en la parte inferior, delante y detrás, utilice una llave inglesa o de carraca de 7/16 pulg. Tire los trozos de madera del embalaje.

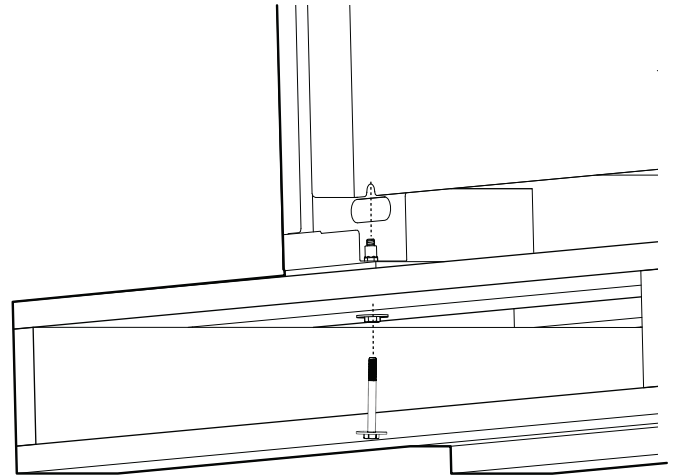


Figura 6: Quitar los pernos de expedición



2. Levante la estufa y retírela de la tarima. Pida ayuda si hace falta.
3. Con un carro, desplace la estufa hasta el lugar donde la quiere instalar. No transporte la estufa apoyando la parte frontal sobre el carro.
4. Puede apoyar la estufa sobre sus patas traseras para retirar el carro con toda seguridad. **PROTEJA EL SUELO BAJO LAS PATAS TRASERAS ANTES DE EMPUJAR EL APARATO EN EL LUGAR DE INSTALACIÓN.**

PASO 4: Instalación del dispositivo antivuelco

Para todas las estufas, se debe instalar un dispositivo antivuelco siguiendo las instrucciones.

⚠ ADVERTENCIA

RIESGO DE VUELCO DE LA ESTUFA:

- Un niño o un adulto podrían volcar el aparato y perder la vida.
- Asegúrese de que el dispositivo antivuelco esté instalado adecuadamente y que su soporte retenga la pata del aparato, conforme a las instrucciones de instalación.
- Asegúrese de que el dispositivo antivuelco retenga la pata del aparato al reinstalarlo en su sitio.
- No utilice el aparato si el dispositivo antivuelco no está instalado y no retiene el aparato.
- El hecho de no leer las instrucciones de este manual puede causar la muerte o graves quemaduras a niños y adultos.

Cuando jale la estufa de la pared por motivos de limpieza, servicio u otra razón, asegúrese de volver a insertar correctamente el dispositivo antivuelco cuando empuje la estufa contra la pared. Sino, en el caso de un uso poco normal de la estufa (por ejemplo si alguien trepa, se sienta o se apoya sobre una puerta abierta), ésta podría volcarse. El hecho de ignorar esta precaución puede causar el vuelco de la estufa, lo que podría causar lesiones debido a líquidos calientes derramados o al peso mismo de la estufa.

⚠ ADVERTENCIA

RIESGO DE DESCARGA ELÉCTRICA

- Tenga mucho cuidado cuando perforo orificios en una pared o en el piso ya que puede haber cables eléctricos ocultos.
- Identifique los circuitos eléctricos que podrían encontrarse en el sitio donde se instalará el dispositivo antivuelco y apague la corriente de estos circuitos.
- La falta de observar estas instrucciones puede causar una descarga eléctrica o lesiones graves.

PRECAUCIÓN — DAÑOS A LA PROPIEDAD:

- Contacte a un instalador o contratista cualificado para determinar el mejor método para perforar los orificios a través de la pared o del piso teniendo en cuenta el material (cerámica, madera dura, etc.).
- No deslice la estufa sobre un piso desprotegido.
- Si no lee estas instrucciones podría dañar la pared o la superficie del piso.

No de pieza	Cantidad	Descripción
00415078	4	Tornillos Phillips, #10 x 1½"
00647936	1	Soporte antivuelco

Los elementos de fijación proporcionados sirven para instalar el aparato fijándolo a travesaños de madera de un tamaño estándar. Para los otros tipos de instalación, el instalador debe proporcionar los elementos de fijación.

Información de instalación importante:

- Se puede fijar el soporte antivuelco a una superficie de madera dura siempre que el tamaño mínimo de la pared sea de 3/4 pulg. (19 mm).
- El grosor de la pared o del piso puede requerir tornillos más largos, disponibles en su ferretería local.
- En todo caso, se deben fijar por lo menos dos tornillos de montaje a la superficie de madera dura.
- Use taquetes apropiados cuando fija el soporte antivuelco a cualquier material diferente que madera o metal.

Preparación de la abertura en el lugar de instalación

- Para paredes, pernos de pared o pisos hechos de madera sólida o metal, perforo orificios de 1/8 pulg (3 mm).
- Para paredes o pisos hechos de muro seco, tablaroca u otros materiales suaves, perforo orificios de 3/16 pulg (5 mm) a una profundidad mínima de 1¼ pulg (45 mm), luego inserte taquetes de plástico en cada orificio usando un martillo.
- Para paredes o pisos hechos de cemento o bloques de concreto, perforo orificios de 3/16 pulg (5 mm) a una profundidad mínima de 1¼ pulg (45 mm), luego inserte de taquetes para concreto en cada orificio usando montaje un martillo.
- Para paredes o pisos que están cubiertos con azulejos de cerámica, perforo orificios de 3/16 pulg (5 mm) solamente a través del azulejo, luego perforo el material detrás del azulejo como se indica arriba.

Instalar el soporte de montaje antivolcadura

El soporte de montaje alternativo para el piso debe ser instalado del siguiente modo:

1. Coloque el soporte sobre el piso en la posición indicada en la *Figura 7*.
 - Se puede usar un soporte de 30 o 36 pulg. en una de las esquinas del área de instalación.

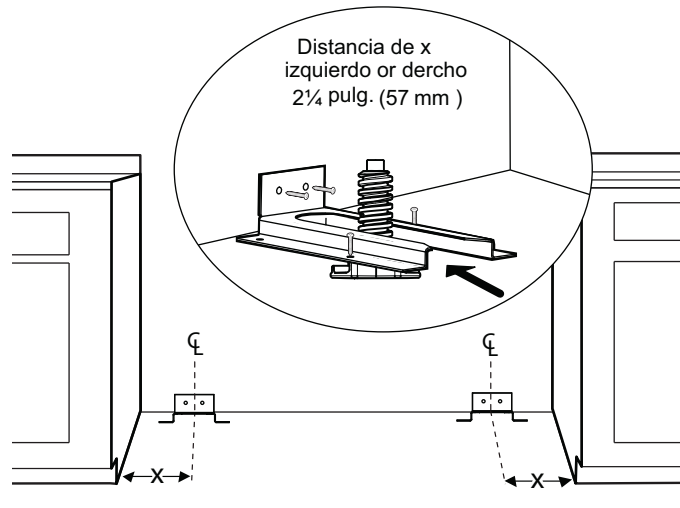


Figura 7: Colocación del dispositivo antivolcadura

2. Fíjelo al suelo y a un travesaño con los (4) tornillos estrella de 1,5 pulg. (38 mm) proporcionados.
3. Luego, cuando la unidad está instalada, la pata ajustable se desliza debajo del soporte.
4. Si se mueve la estufa a un lugar nuevo, se debe quitar y reinstalar el dispositivo antivolcadura.

PASO 5: Requerimientos de gas y conexiones

Verifique el tipo de gas que se está usando en el lugar de instalación. **El aparato se envía de la fábrica para el uso con gas natural. Debe ser convertida para el uso con propano. Un técnico o instalador calificado debe realizar la conversión.** Asegúrese que la estufa coincide con el tipo de gas disponible en este lugar.

⚠ ADVERTENCIA

No use ningún tipo de llama para verificar si hay fugas de gas.

⚠ PRECAUCIÓN

Cuando conecte el aparato a gas propano, asegúrese de que el tanque de gas propano venga con su propio regulador de alta presión además del regulador de presión que se incluye con la estufa. La máxima presión de gas de este aparato no debe exceder 14.0 pulgadas (34.9 mb) de columna de agua entre el tanque de gas propano y el regulador de presión.

Este aparato tiene la certificación CSA para un funcionamiento seguro a altitudes de hasta 2000 pies (610 m) sobre el nivel del mar.

Aparatos que funcionan con gas natural o propano (GLP) - Para altitudes de más de 2000 pies (610 m) sobre el nivel del mar, se pueden llevar a cabo ajustes en el juego de conversión proporcionado con el aparato. Si el rendimiento de las llamas es satisfactorio, no se necesitará el juego conversión. Los ajustes durante la instalación del juego de conversión para gran altitud deben realizarse por un profesional acreditado.

Aparatos de gas propano - Este aparato está certificado para funcionar de forma segura a altas altitudes de hasta 2000 pies (610 m) sobre el nivel del mar. Se debe proceder a la conversión del aparato a gas propano antes de convertirlo para un uso a altas altitudes. Se debe usar un juego de conversión a gas propano (PALPKITHP), disponible en atención al cliente de Thermador. Solamente un profesional cualificado debe proceder a la instalación del juego de conversión.

Conexión

Requerimientos Para Gas Natural

- Conexión entrada: 1/2" NPT interno (Mínimo manguera flexible con diámetro de 3/4")
- Presión suministro: 6" min. a 14" max. columna de agua. (14.9 a 34.9 mb)
- Presión manifold: 5" columna de agua (12.5 mb)

Requerimientos Para Gas Propano

- Conexión entrada: 1/2" NPT interno (Mínimo manguera flexible con diámetro de 3/4")
- Presión suministro: 11" a 14" máx. columna de agua (27.4 mb a 34.9 mb)
- Presión manifold: 10" columna de agua (24.9 mb)

Un técnico competente debe realizar las conexiones del suministro de gas conforme a los códigos y regulaciones locales. A falta de códigos locales, la instalación debe estar conforme al Código Nacional de Gas Combustible ANSI Z223.1/NFPA54- edición actual.

⚠ PRECAUCIÓN

El aparato debe estar aislado del sistema de tubería de suministro de gas cerrando la válvula manual de cierre durante cualquier prueba de la línea de suministro de gas a presiones de prueba igual a o inferior a ½ psi (3,5kPa.).

- Se debe instalar una válvula manual externa de cierre de gas, en un lugar accesible desde el frente para cerrar el suministro de gas. La línea de suministro no debe interferir con la parte trasera de la unidad. Asegúrese de cerrar el suministro de gas en la válvula de cierre manual antes de conectar el aparato.
 - La estufa viene con su propio regulador de presión que fue montado permanentemente dentro del cuerpo de la estufa.

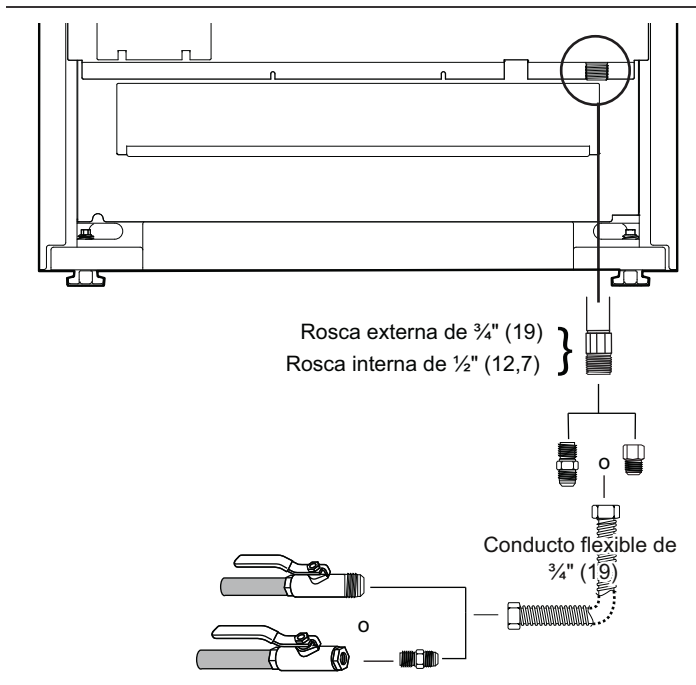


Figura 8: Conexión al suministro de gas

- Utilice una línea flexible de ¾" entre el suministro de gas y la línea de suministro del aparato. La línea de suministro de gas está ubicada en la parte inferior derecha de todas las estufas. (Figura 10). La línea de suministro de gas del aparato es de tipo NPT ½".
 - Tenga cuidado de no torsionar la manguera flexible de ¾" cuando haga dobleces. La longitud sugerida de la manguera es de 48" (1,20 m), sin embargo, por favor revise los códigos locales para los requerimientos en su área antes de la instalación.

- Utilice compuesto para juntas de tubería o cinta Teflon en la rosca de los tubos. No aplique dicho compuesto o cinta para agrandar las juntas. Tenga cuidado de no aplicar demasiada presión al apretar las juntas.
- Las pruebas de fugas del aparato deben estar conforme a las siguientes instrucciones.
 - Prenda el gas y revise las conexiones de la línea de suministro para ver si hay fugas usando una solución con agua y jabón.
 - Burbujas que aparecen indican una fuga de gas. Repare todas las fugas de inmediato.

PASO 6: Requerimientos eléctricos, conexión y puesta a tierra

Voltaje	Clasificación Circuito	Frecuencia	Fase
240/208 VAC	40 Amps	60 Hz.	Single

⚠ PRECAUCIÓN

Una fuente de alimentación incorrecta de 240/208 VAC causará el mal funcionamiento de este aparato, dañará la estufa y podría presentar un riesgo de descarga eléctrica.

Antes de dar servicio al aparato, siempre debe desconectar el cable de alimentación eléctrica de la tomacorriente en la pared. Si el aparato está conectado en forma directa a la fuente de alimentación, desconecte la electricidad a la unidad apagando el cortacircuitos correcto o desconectando el fusible correcto. Bloquee el panel de servicio para prevenir que la corriente se encienda accidentalmente.

Se debe proporcionar un cable neutral de alimentación de la fuente de alimentación (cortacircuitos/panel de fusibles) porque los componentes críticos de la estufa, incluyendo los módulos de reencendido por chispa de los quemadores superficiales, requieren de 120 VAC para funcionar correctamente.

Cuando el circuito eléctrico correcto no es adecuado, es responsabilidad y obligación del instalador y del usuario hacer conectar una fuente de alimentación apropiada por un técnico cualificado. Incumbe al instalador asegurarse de la observación de los códigos locales. La instalación debe estar hecha conforme a todos los códigos y regulaciones locales aplicables. A falta de códigos locales, la conexión de la fuente de alimentación debe ser conforme al Código Eléctrico Nacional.

La toma de tierra debe estar hecha conforme a todos los códigos vigentes. Sino, se debe aplicar la norma de electricidad ANSI/NFPA No 70 (EEUU) vigente. Consulte la información de la presente sección (PASO 7) para conocer el método de toma de tierra a utilizar.

Los diagramas eléctricos a los que debe recurrir el técnico de servicio cualificado se encuentran detrás del adorno de la puerta de la hornilla (vea *Figura 27 en la página 68*).

Se deben conectar las estufas a la alimentación eléctrica de 240/208 VCA.

Se deben conectar los modelos de estufas mixtas a la fuente de alimentación eléctrica utilizando uno de los siguientes métodos. Para todos los métodos de conexión, la longitud del cable o del conducto / cableado debe permitir que la unidad pueda sacarse completamente de los armarios sin que se tenga que desenchufar o desconectar el aparato de la fuente de alimentación.

La longitud mínima recomendada para el cable o conducto es de cuatro pies. Las instalaciones eléctricas y la toma de tierra deben estar conformes a todos los códigos y regulaciones locales, o al Código Eléctrico Nacional, según el caso.

Conexión Permanente (Cableado Directo)

Este aparato está listo para su inmediata instalación gracias el cordón de cuatro cables y el tomacorriente con que se fabricó. Sin embargo, se puede conectar el aparato directamente a la red eléctrica. Si se conecta el aparato directamente a la red eléctrica, se debe desconectar el cordón de cuatro cables de la caja de conexiones.

Es responsabilidad del instalador proporcionar el material de cableado adecuado (tubo, cables, etc.) y llevar a cabo la conexión eléctrica conforme a las normas y códigos locales, o al Código nacional de electricidad. El instalador debe suministrar un conducto flexible de aluminio aprobado, de un tamaño comercial de 3/4 pulg. (19 mm), de una longitud máxima de 6 pies (1,8 metro).

Localice la caja de conexiones en la parte trasera del aparato y quite la cubierta (consulte la *Figura 9*). Se debe fijar el conducto a la caja de conexiones utilizando un conector de conducto aprobado. Se debe conectar la extremidad libre del conector de conducto a una caja de conexiones instalado en la zona de alimentación eléctrica, como se muestra en la *Figura 4 en la página 56*.

Instale un prensacables (no incluido) en el orificio de 1 pulg. (25,4 mm) de diámetro situado debajo de la caja de conexiones (vea la *Figura 9*). El cableado del aparato debe llegar hasta la caja de conexiones mediante el conducto, pasando a través del prensacables. Las extremidades de los cables deben tener fijadas lengüetas cerradas de 1/

4 pulg., preferentemente soldadas en su lugar. Realice las conexiones a la caja de conexiones incluida.

Si se usa un cable de aluminio en la instalación, empalme el cable de aluminio con un cable de cobre de un grosor adecuado, para que se adapte a la estufa, utilizando conectores especialmente diseñados y certificados para unir cables de aluminio y de cobre. Siga el proceso de instalación recomendado por el fabricante del conector.

⚠ ADVERTENCIA

La incorrecta conexión del cable de aluminio puede presentar un riesgo de descarga eléctrica. Únicamente conectores diseñados y certificados para una conexión con un cable de aluminio.

Conexión de 4 cables

Este aparato está listo para su inmediata instalación gracias el cordón de cuatro cables y el tomacorriente con que se fabricó. Si el cordón está dañado o debe reemplazarse, utilice un cordón (UL, CSA, ...) TRIFÁSICO de CUATRO CONDUCTORES de 125/250 voltios conectado a un CIRCUITO DEDICADO DE 50 AMPERIOS e indicado para su uso con estufas.

Se debe fijar el cable a la caja de conexiones de la estufa con un prensacables que cabe en un orificio de un diámetro de 1". Si no viene ya equipado, el cable debe tener lengüetas cerradas de 1/4", fijadas a los extremos libres de los conductores individuales, de preferencia soldadas en su lugar.

1. Localice la caja de conexiones en la parte trasera del aparato y quite la cubierta (consulte la *Figura 9*).
2. Quite las tuercas superiores solamente de los bornes de la caja de conexiones. No quite las tuercas inferiores que fijan los cables del cableado interno a la estufa.
3. Instale el prensacables (no incluido con la estufa) en el orificio de 1 pulg. (6 mm) de diámetro situado en el panel trasero, debajo de la caja de conexiones (vea la *Figura 9*). Pase los cables por el prensacables.

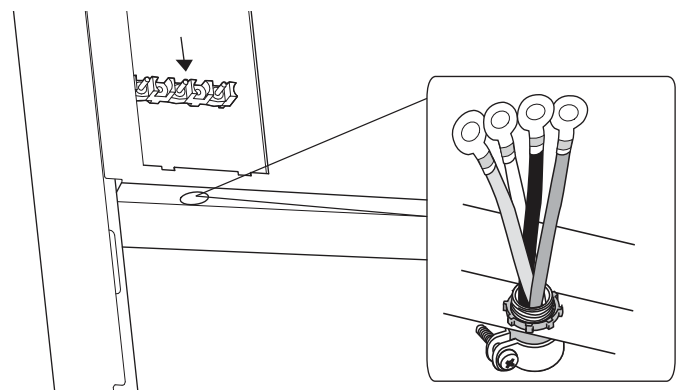


Figura 9: Ubicación del prensacables

4. Fije el cable neutro de toma de tierra del circuito de alimentación al contacto central de la caja de conexiones con una tuerca (vea la *Figura 10*).
5. Fije los conductores de alimentación L1 (rojo) y L2 (negro) a los contactos de la caja de conexiones exterior (color latón) con tuercas.
6. Quite el tornillo verde del cable de toma de tierra situado debajo de la caja de conexiones. Tire del cable blanco.
7. Fije el cable desnudo de cobre de toma de tierra al chasis de la estufa utilizando el tornillo de toma de tierra previamente usado con el cable blanco. Asegúrese de que los bornes de neutro y de toma de tierra no hagan contacto.
8. Apriete bien todas las conexiones.

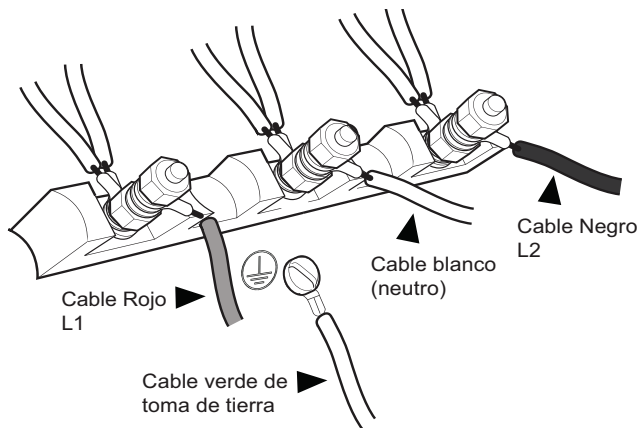


Figura 10: Conexión de cuatro cables

9. Reinstale la cubierta de la caja de conexiones.

INSTALADOR – muestre al propietario la ubicación del disyuntor o del fusible. Márquela para recordarla más fácilmente.

Conexión de 3 cables

Este aparato está listo para su inmediata instalación gracias al cordón de cuatro cables y el tomacorriente con que se fabricó. Sin embargo, cuando las normas y los códigos locales permiten realizar la toma de tierra mediante un cable neutro y no se puede hacer una conversión para una conexión con un cordón de cuatro cables, se puede conectar el aparato con un cordón (UL, CSA,...) TRIFÁSICO de TRES CONDUCTORES de 125/250 voltios conectado a un CIRCUITO DEDICADO DE 50 AMPERIOS e indicado para su uso con estufas.

Fije el cable a la caja de conexiones de la estufa con un prensacables que quepa en un orificio de un diámetro de 1 pulg. (25,4 mm). Si no es el caso, el cable debe tener lengüetas cerradas de ¼ pulg. (6 mm), fijadas a los extremos libres de los conductores individuales, preferentemente soldadas en su lugar.

1. Localice la caja de conexiones en la parte trasera del aparato y quite la cubierta (consulte la *Figura 11*).
2. Instale el prensacables (no incluido con la estufa) en el orificio de 1 pulg. (6 mm) de diámetro situado en el panel trasero, debajo de la caja de conexiones (vea la *Figura 11*). Pase los cables por el prensacables.

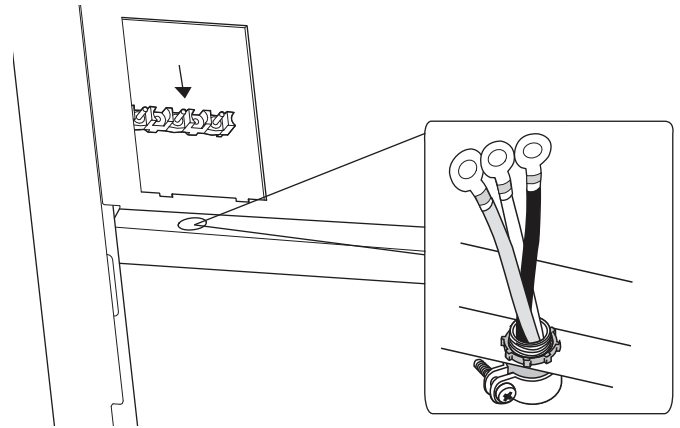


Figura 11: Ubicación del prensacables

3. Quite solamente las tuercas superiores de los contactos de la caja de conexiones. No quite las tuercas que fijan los cables del cableado interno de la estufa.
4. Fije el cable neutro de tierra del circuito de alimentación al contacto central (color plata) de la caja de conexiones (vea la *Figura 12*).
5. Fije los conductores de alimentación L1 (rojo) y L2 (negro) a los contactos correspondientes de la caja de conexiones exterior (color latón) con tuercas.
6. Fije una de las extremidades del cable neutro lazado, situado debajo de la caja de conexiones, al contacto central de la caja de conexiones con una tuerca y fije la otra extremidad a la parte trasera de la estufa.
7. Apriete bien las tuercas.

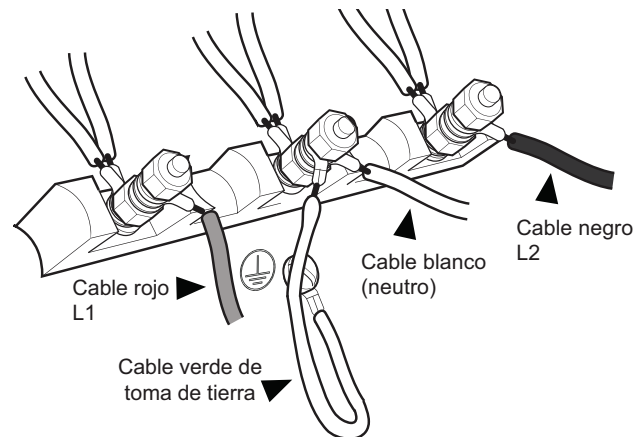


Figura 12: Conexión de 3 cables

8. Reinstale la cubierta de la caja de conexiones.

INSTALADOR – muestre al propietario la ubicación del disyuntor o del fusible. Márquela para recordarla más fácilmente.

PASO 7: Instalación de la consola trasera (opcional)

Estante guardacaliente	Consola Trasera de Protección	9" Consola Baja
KHS30QS	PA30JBS	PA30GLBH

Tabla 1: Número de modelo para los kits de las consolas traseras de protección

⚠ ADVERTENCIA

Tenga cuidado para no pellizcarse los dedos o las manos al instalar la consola trasera. Podría lesionarse gravemente. Lleve guantes de protección gruesos para evitar cortarse o lastimarse los dedos o las manos al deslizar la consola sobre la estufa.

⚠ ADVERTENCIA

Para evitar posibles quemaduras o incendios, se debe quitar todo el material del embalaje del accesorio antes de usarlo.

Los métodos de instalación varían según las necesidades. Antes de empezar, lea atentamente estas instrucciones. Observe todos los códigos locales.

Instalación de la consola trasera de protección

Herramientas Requeridas

Destornillador o punta Phillips

Cinta métrica

Se debe instalar la consola trasera de protección antes de instalar una campana, ya que la campana cubre los tornillos de fijación superiores de la consola trasera de protección.

Para proteger la consola trasera de protección contra los rasguños, deje la lámina adhesiva de plástico que la cubre hasta terminar la instalación.

Si la estufa ya está instalada, consulte las instrucciones del fabricante para desconectar el suministro de gas y la alimentación eléctrica. Desplace la estufa para tener acceso a la pared trasera.

1. Localice y marque los sitios donde pasan los travesaños de pared. Normalmente, los travesaños de pared se instalan a intervalos de 16 pulg. o 24 pulg. (406 mm o 610 mm).

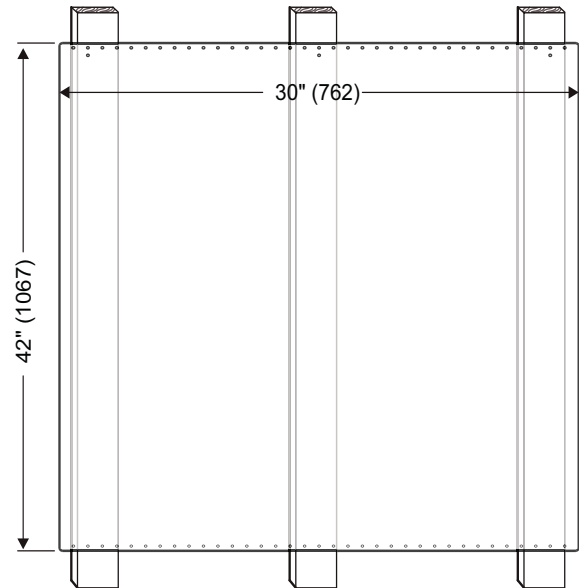


Figura 13: Instalación de la consola trasera

2. La altura de la campana determinará la altura de instalación del borde superior de la consola trasera de protección. Se debe instalar la consola trasera de protección para que el borde inferior de la campana cubra la parte superior de la consola trasera de protección de 1-½ pulg. (38 mm).
3. Utilice dos de los tornillos proporcionados para fijar las partes inferior y superior de la consola trasera de protección a cada travesaño de pared (vea la Figura 13).
 - En algunos casos, y teniendo en cuenta la anchura variable de los travesaños de pared y de las consolas traseras de protección, se puede encontrar únicamente un travesaño de pared en el sitio de instalación.
4. Quite la lámina de protección de plástico.

Instalación de la consola trasera de protección con un estante guarda-caliente

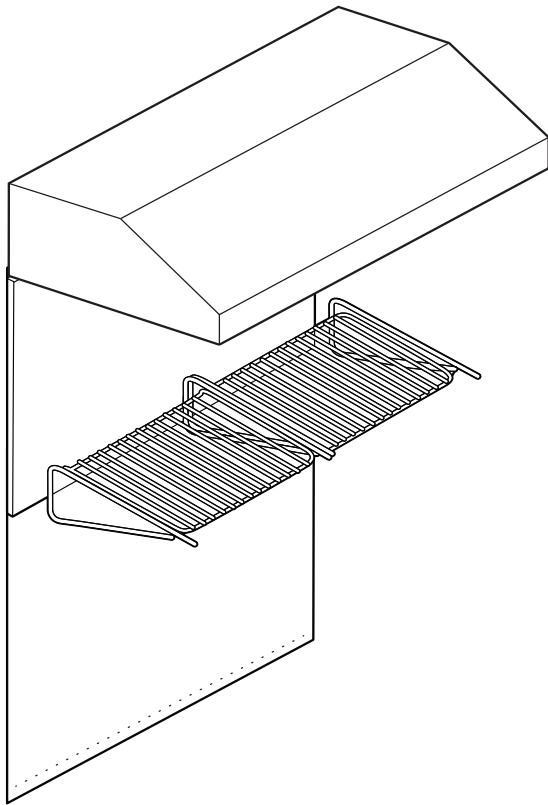


Figura 14: Consola trasera de protección con estante guarda-caliente

Se puede instalar primero la campana si instala la consola trasera de protección con un estante guarda-caliente ya que este estante cubrirá los tornillos de fijación superiores de la consola trasera de protección (Figura 14).

Para proteger la consola trasera de protección de rasguños, deje la lámina adhesiva de plástico que la cubre hasta terminar la instalación.

Si la estufa ya está instalada, consulte las instrucciones del fabricante para desconectar el suministro de gas y la alimentación eléctrica. Desplace la estufa para tener acceso a la pared trasera.

1. Localice y marque los sitios donde pasan los travesaños de pared. Normalmente, los travesaños de pared se instalan a intervalos de 16 pulg. o 24 pulg. (406 mm o 610 mm).
2. La altura de la campana determinará la altura de instalación del borde superior de la consola trasera de protección. Se debe instalar la consola trasera de protección para que la parte trasera del estante guarda-caliente cubra la parte superior de la consola trasera de protección de 1 ½ pulg. (38 mm).

3. En el lugar indicado en la Figura 15, fije los soportes inferiores proporcionados con el estante guarda-caliente a través de la consola trasera de protección en los travesaños de pared.
 - En algunos casos, y teniendo en cuenta la anchura variable de los travesaños de pared y de las consolas traseras de protección, se puede encontrar únicamente un travesaño de pared en el sitio de instalación.

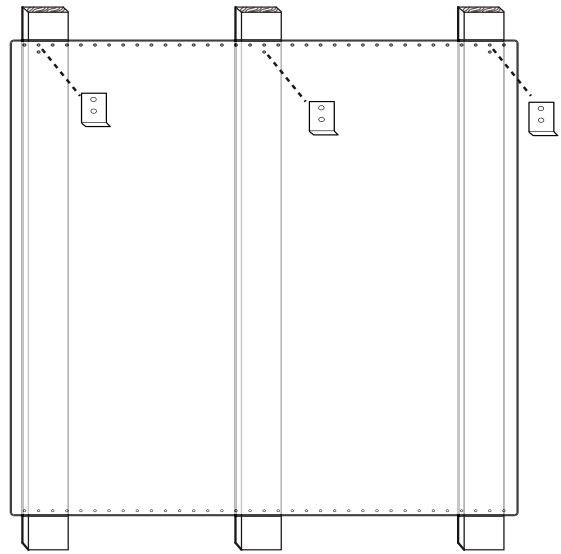


Figura 15: Consola trasera de protección con estante guarda-caliente

4. Quite la lámina de protección de plástico.
5. Comience la instalación del estante guarda-caliente.

Estante guarda-caliente (KHS30QS)

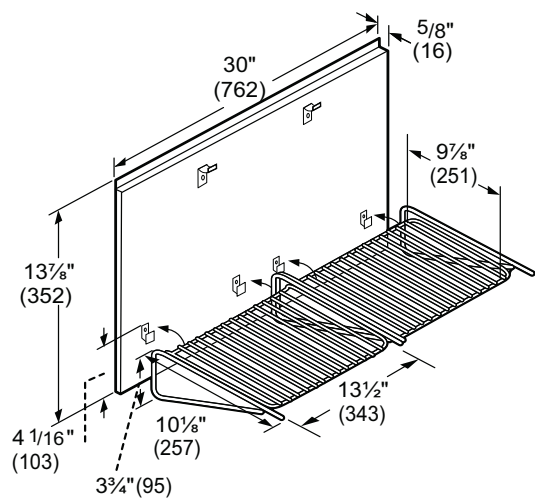

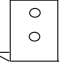


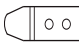
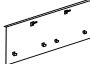


Figura 16: Estante guarda-caliente

PIEZAS INCLUIDAS

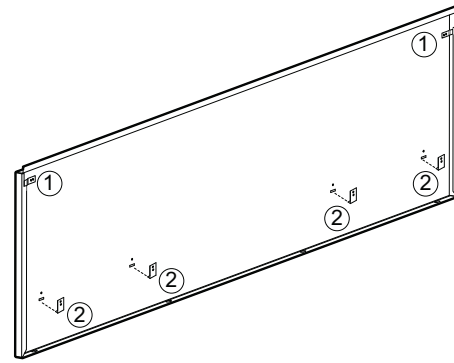
	10 – tornillos de 1" (25,4) 4 – tornillos de 1/2" (12,7)		4 – soportes inferiores para el estante
	4 – tuerca en U		2 – rejillas guarda-caliente
	2 – soportes superiores para el estante		1 – consola trasera para estante guarda-caliente
1 – manual de instalación y patrón de papel			

HERRAMIENTAS REQUERIDAS

Cinta métrica	Destornillador o punta Phillips
Cinta de pintor	Cuchillo o tijeras

- Pegue con cinta los patrones de papel proporcionados con el estante guarda-caliente de la forme siguiente:
 - Pegue la hoja titulada [Left Hand Template](#) en la esquina inferior izquierda alineando el borde inferior de la campana y la línea superior del patrón.
 - Pegue la hoja titulada [Right Hand Template](#) en la esquina inferior derecha alineando el borde inferior de la campana y la línea superior del patrón.
 - Pegue la hoja titulada [Installation Instruction](#) para que la flecha de encima del patrón esté alineada con la línea central de la campana. Alinee el borde inferior de la campana y la línea superior del patrón.
 - Los lados del patrón deben corresponder a la longitud del estante.
- Instale los dos soportes superiores del estante y los tres soportes inferiores del estante en los sitios indicados en los patrones. Fíjelos con los diez tornillos de 1 pulg. (25,4 mm) proporcionados.
- Corte el patrón alrededor de los soportes y quítelo de la pared. No lo tire antes de terminar la instalación del estante guarda-caliente.
- Inserte las cuatro tuercas en los cuatro soportes inferiores del estante.
- Instale la placa mural colocando las muescas de las esquinas (dorso de la placa mural) encima de los dos soportes superiores del estante. Deslice el accesorio del estante hacia arriba hasta que la parte inferior se enganche en los soportes inferiores (*Figura 17*).
- Asegúrese de que la parte superior del accesorio del estante esté bien fijada tirando de la parte superior del accesorio del estante.
- Asegúrese de que la parte superior del accesorio del estante esté bien fijada tirando de la parte superior.

- Fije la parte inferior del accesorio del estante con los cuatro tornillos 1/2 pulg. (12,7 mm) proporcionados.



1 – soportes superiores para el estante 2 – soportes inferiores para el estante

Figura 17: Dorso de la placa mural

Instalación de la consola trasera baja

Cuando se instala contra una superficie combustible, la utilización de una consola trasera baja es opcional. La consola trasera baja THERMADOR se compra por separado. Vea *“Espacios libres para la instalación”*.

NOTA: Si se usa una consola trasera de protección con la consola baja, instale primero la consola trasera de protección, luego la consola baja antes de volver a colocar la estufa en su sitio.

Herramientas requeridas

Destornillador o punta Torx T-20
Guantes de protección

Instalación de la consola trasera baja

- Según el modelo, quite los tres o cuatro tornillos Torx T-20 de acero inoxidable de la cara frontal del adorno tipo isla proporcionado.

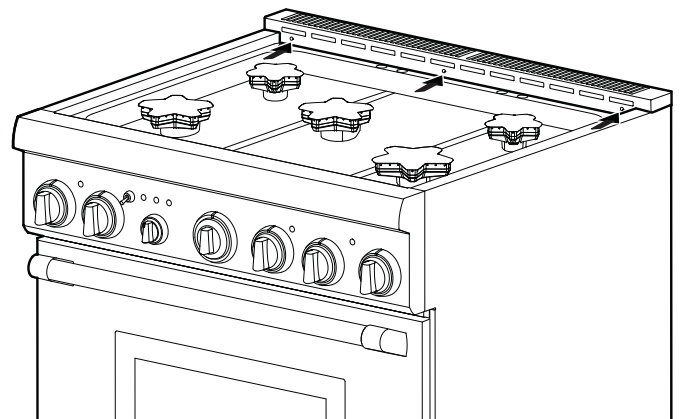


Figura 18: Como quitar los tornillos de la cara frontal

- Quite los cuatro tornillos de punta que retienen el adorno a los paneles laterales y los dos o cuatro tornillos de punta que retienen la placa trasera en su sitio. Levante el adorno para quitarlo totalmente.

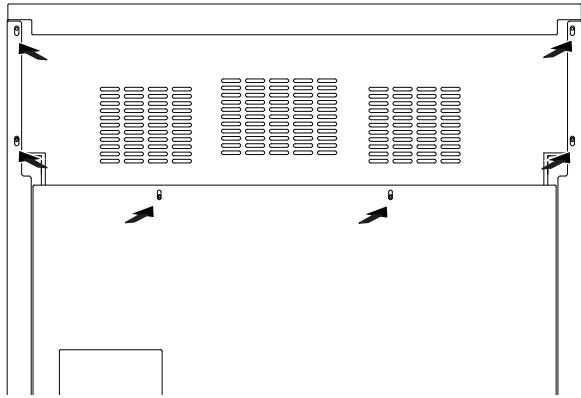


Figura 19: Como quitar los tornillos de la parte trasera

- Alinee el panel trasero del nuevo accesorio con las pestañas de los rincones de izquierda y derecha de los paneles laterales. La consola trasera se inserta en los canales guías situados detrás de la estufa.

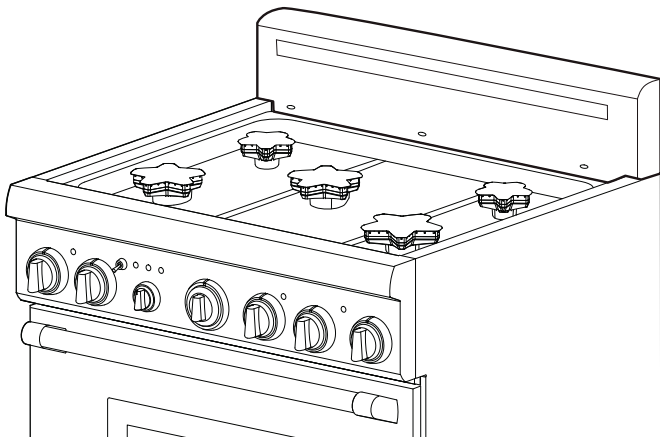


Figura 20: Vista frontal de la consola trasera baja

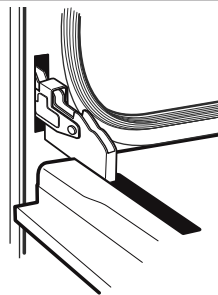
- Asegúrese de que la parte frontal de la consola esté fuera de la pestaña en la parte delantera de la estufa.
- Vuelva a instalar los tornillos que quitó en los pasos 1 y 2.

PASO 8: Quitar y reinstalar la puerta

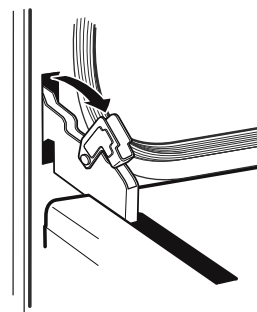
⚠ PRECAUCIÓN

- Asegúrese de que la hornilla esté fría y que la corriente esté desconectada antes de quitar la puerta. De otro modo podría recibir una descarga eléctrica o quemarse.
- La puerta de la hornilla pesa mucho y es frágil. Use ambas manos para quitar o reinstalar la puerta.
- Si no agarra la puerta de la hornilla firme y correctamente, podría lesionarse o dañar el producto.
- Nunca suelte la agarradera de la puerta de la hornilla para intentar cerrar las bisagras cuando ha quitado la puerta. Sin el peso de la puerta, los poderosos resortes cerrarán las bisagras con mucha fuerza.

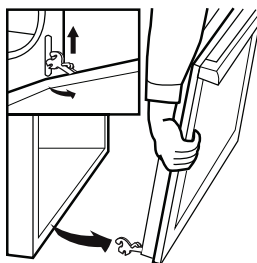
Para quitar la puerta de la hornilla



- Asegúrese de leer la advertencia aquí arriba antes de quitar la puerta.
- Abra completamente la puerta.



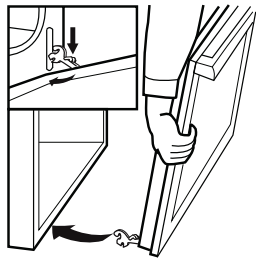
- Empuje los soportes de las bisagras hacia abajo. Puede ser que necesite un destornillador para hacerlas bascular.
- Cierre la puerta despacio hasta apoyarla contra los soportes de las bisagras. Cuando éstas están en posición abierta, la puerta se queda abierta a un ángulo de unos 30° respecto a su posición cerrada.



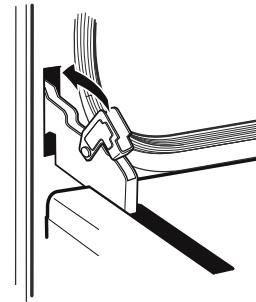
- Agarre la puerta de los extremos y levántela. Los resortes ofrecerán un poco de resistencia.
- Levante la puerta despacio para sacarla de los agujeros de las bisagras.
- Guarde la puerta en un lugar seguro y estable.

Figura 21: Para quitar la puerta de la hornilla

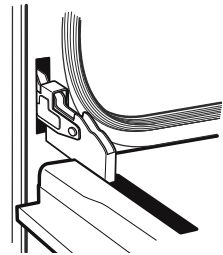
Para reinstalar la puerta de la hornilla



1. Sujete la puerta firmemente con sus dos manos.
2. Coloque la puerta en un ángulo de 30° respecto a su posición cerrada. Inserte las bisagras centrándolas en las ranuras. Cuando se instalan correctamente, los soportes se agarran sólidamente en las ranuras. No fuerce o tuerza la puerta.



3. Abra completamente la puerta para exponer las bisagras, las palancas y las ranuras.
4. Haga bascular las bisagras hacia delante y por abajo hasta apoyarlas en las ranuras. Puede ser que necesite un destornillador para volver a poner los soportes a su sitio.



5. Cierre y abra la puerta para asegurarse que esté adecuadamente instalada.

Figura 22: Para reinstalar la puerta de la hornilla

Verificación de la instalación y del funcionamiento de la puerta

1. Abra y cierre la puerta lentamente para asegurarse de que se mueva normalmente y que esté ajustada a la cavidad de la hornilla. No fuerce para abrir o cerrar la puerta. Si está bien instalada, debería moverse fácilmente y, cuando está cerrada, estar alineada con la parte frontera de la hornilla.
2. La estufa debe estar nivelada para que se alineen adecuadamente las puertas de la hornilla. Vea la "PASO 9: Colocar y nivelar la estufa".
3. Si no funciona adecuadamente, asegúrese de que las bisagras descansen en sus ranuras y que los soportes estén en el fondo de las ranuras.

4. Si la puerta o la agarradera parecen levemente desniveladas, puede ajustar su inclinación apretando o aflojando el tornillo se encuentra directamente abajo de la ranura de la bisagra. Apriétela o aflójela según el ajuste que haga falta para alinear correctamente la puerta.

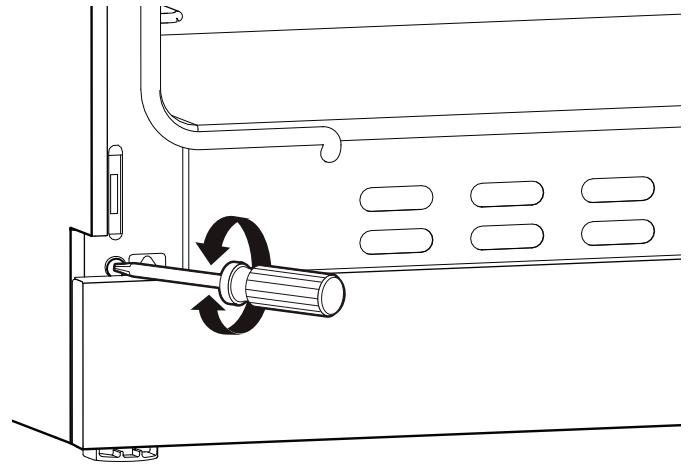


Figura 23: Agujero de los tornillos de ajuste de las bisagras

PASO 9: Colocar y nivelar la estufa

⚠ PRECAUCIÓN

Los bordes superiores de los paneles laterales de la estufa deben estar a la misma altura o más altos que la encimera adyacente. Si se usa la estufa a una altura más baja que la encimera adyacente, los armarios podrían estar expuestos a temperaturas excesivas, lo que podría dañar la encimera y los armarios.

Para obtener un rendimiento óptimo, la estufa debe estar nivelada. Esto es muy importante para todos los aparatos que vienen equipados con una plancha). La cavidad de la hornilla también debe estar nivelada para obtener un rendimiento óptimo.

1. Mida la altura de la encimera con una cinta métrica y añada 1/16-1/8 pulg. (2-3 mm). Ajuste adecuadamente las patas antes de empujar la estufa en su posición final.

Ajuste del rodapié

Para ajustar el rodapié, haga lo siguiente:

1. Coloque el rodapié en una de las cinco posiciones de los agujeros para los tornillos. Reinstale los tornillos Torx.

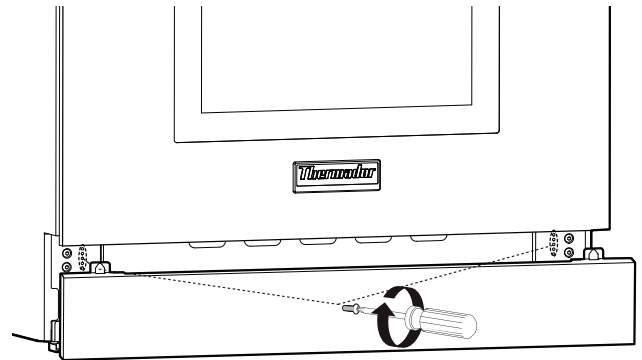


Figura 26: Ajuste del rodapié

2. Haga lo mismo en el otro lado asegurándose de que el rodapié esté nivelado.
 - El rodapié de la estufa debe estar por lo menos a 0,5 pulg. (12,7 mm) sobre el suelo.

Placa con información del aparato

La placa con información del aparato muestra el número de modelo y de serie de su estufa. Se encuentra en el bastidor, detrás de la puerta del horno (vea la ilustración).

No se deben quitar los diagramas del cableado eléctrico en el área para los pies excepto por un técnico de servicio. Vuelva a ponerlos después del servicio.

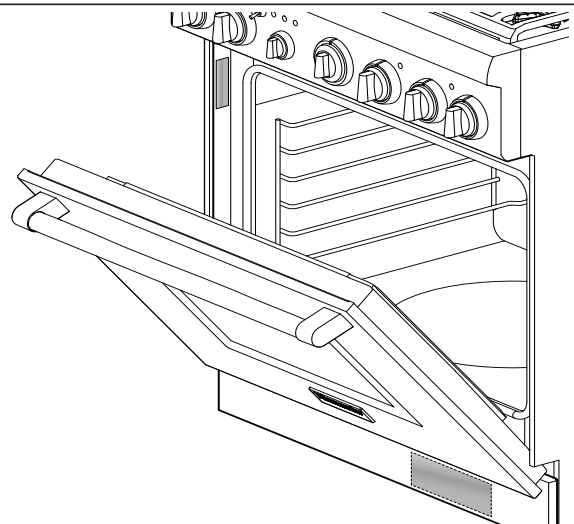


Figura 27: Ubicaciones de la placa de información y del diagrama de cableado

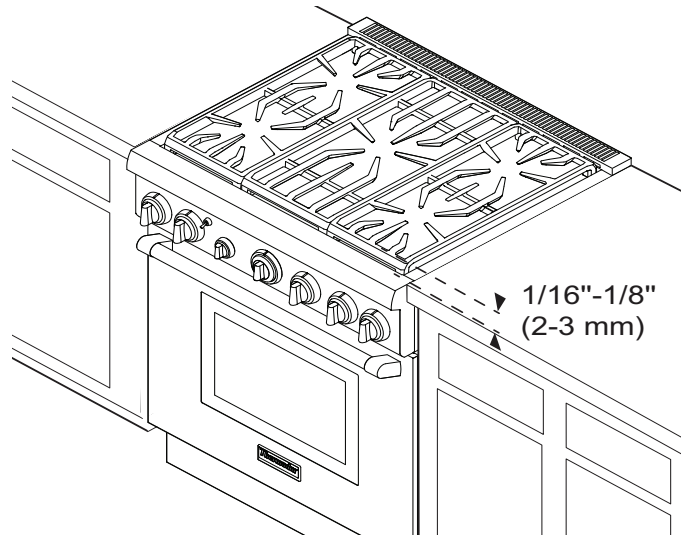


Figura 24: Ajuste de la altura de la estufa

2. Gire los lados planos de cada pata con una llave ajustable de 12 pulg. (305 mm).

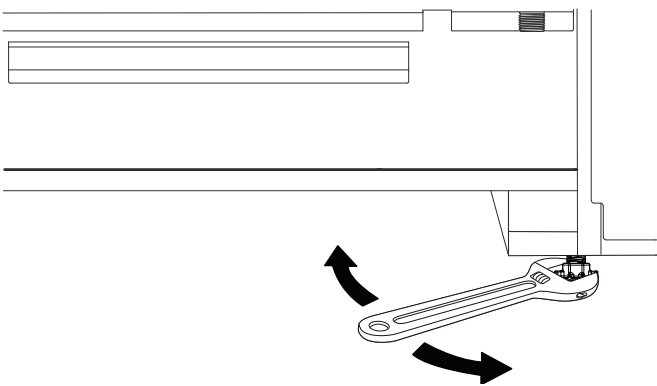


Figura 25: Nivelación de la estufa

3. El ajuste de la altura se debe hacer poco a poco, alternando entre cada una de las cuatro patas hasta que los bordes superiores de los paneles laterales de la estufa estén aproximadamente a la misma altura que la encimera.
4. Los ajustes finales de la altura de las dos patas traseras se deben hacer antes de mover la estufa hacia su posición final entre los armarios.
5. En el momento de instalar la estufa en su posición final, asegúrese de que del soporte antivuelco se inserte correctamente. Para verificar si se engancha, puede mirar a través de la abertura delante del aparato, cerca del piso.
6. Cuando la estufa se halle en su posición final, los ajustes de altura finales y el alineamiento con la encimera se hacen con las dos patas delanteras.

PASO 10: Pruebas de Quemador

Instala cualquier componente flojo, como casquillos de quemador y rejillas, que se pudieron haber quitado con anterioridad. Asegúrese que los casquillos de quemador asienten apropiadamente en sus bases de quemador. Antes de probar la operación de la unidad, verificar que se ha comprobado cuidadosamente la unidad y la fuente de gas para saber si hay fugas y que la unidad haya sido conectada con la fuente de la corriente eléctrica. Dar vuelta a la válvula de cierre manual del gas a la posición abierta.

NOTA:

Antes de encender la hornilla, todas las perillas deben estar en la posición OFF. Para prevenir un funcionamiento no querido al encender la hornilla, coloque todas las perillas en la posición OFF. Para garantizar la seguridad del usuario en el caso de un apagón, un mensaje señalando un error aparece en la pantalla del aparato cuando vuelve la electricidad, a menos que todas las perillas estén en la posición OFF. Coloque todas las perillas en la posición OFF y reinicialice el automático para eliminar el mensaje.

Pruebe los quemadores superiores de la estufa

Pruebe el Encendido del Quemador

Seleccione una perilla de quemador de la estufa. Presione hacia abajo y gire en contra de las manecillas del reloj hacia **ALTO**. El módulo de chispa/encendido producirá un sonido de chasquido. Una vez que el aire ha sido purgado de las líneas de alimentación, el quemador deberá encender dentro de cuatro (4) segundos.

Prueba de Flama: Opción Alta

Gire el quemador a **ALTO**. Vea *Figura 28* para las características apropiadas de flama.

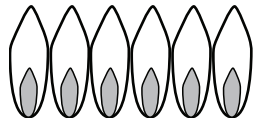
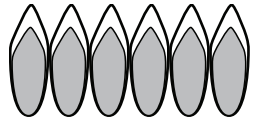
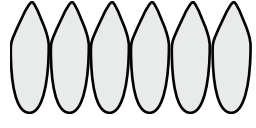
Si alguno de los quemadores superiores de la estufa continúan produciendo una flama casi o completamente amarilla, verifique que el casquillo del quemador está posicionado apropiadamente en la base del quemador, entonces vuelva a probar. Apague cada llama soplando y deje que los quemadores se reencendían para asegurarse de que funciona adecuadamente el dispositivo de reencendido. Si las características de la flama no mejoran, contacte a THERMADOR® mantenimiento.

Prueba de Flama: Opción Baja

Gire el quemador a SIM. Verifique que la flama rodea completamente el quemador. Debe haber una flama en cada compuerta del quemador y no debe haber una apertura de aire entre la flama y el quemador. Si cualquiera de los quemadores no continúa, llame a THERMADOR mantenimiento.

Algunos quemadores están equipados con la tecnología XLO, que consiste en un ciclo de encendido y apagado de la llama. Este ciclo es normal cuando se selecciona esa función con la perilla de control.

Repita los procedimientos de prueba de Encendido y Flama, descritos para cada quemador superior de la estufa.

Flama amarilla: Se requiere más ajuste.	
Puntas amarillas sobre conos: Normal para Gas LP.	
Flama azul suave: Normal para Gas Natural.	

Si la flama es casi o completamente amarilla, verifique que el regulador está establecido para el combustible correcto. Posterior al ajuste, vuelva a probar.

Se pueden producir algunas rayas anaranjadas en el encendido inicial. Permita que la unidad trabaje durante 4-5 minutos y vuelva a evaluar antes de realizar ajustes.

Figura 28: Características de las llamas

Cuando la flama está ajustada correctamente:

Debe haber una flama en el puerto de cada quemador. No debe haber un espacio de aire entre la flama y el quemador.

Llame a THERMADOR mantenimiento si:

1. Cualquiera de los quemadores no encienden.
2. Cualquiera de los quemadores continúan produciendo flama amarilla.

Lista de chequeo del instalador

Control final

Se respetaron los espacios libres especificados entre la estufa y los armarios adyacentes.

Aparato nivelado y cubiertas de patas instaladas.

Tapas de quemadores correctamente colocadas sobre sus bases.

Se quitó todo el material de embalaje.

Se fijó el adorno de tipo isla o la consola trasera conforme a las instrucciones.

Verifique la llama de cada quemador. Debe corresponder a la descripción de llama del Paso 10. La llama puede tardar varios minutos para quemar todas las impurezas que se encuentran en los conductos de gas.

Verifique la función ExtraLow para asegurarse de que funcione y que la llama se vuelva a encender en todo el quemador.

Suministro de Gas

Conexión: NPT, 3/4 pulg. (19 mm) con un conducto flexible de un diámetro mínimo de 3/4 pulg. (19 mm).

El aparato está conectado solamente al tipo de gas para el cual está certificado.

Se instaló la válvula de cierre manual de gas en un lugar accesible (sin que se tenga que mover la estufa). El propietario sabe dónde está la válvula de cierre manual de gas.

Se comprobó que no hay fugas de gas.

Si la estufa usa gas propano, asegúrese de que el tanque de gas propano venga con su propio regulador de alta presión además del regulador de presión que se incluye con la estufa.

La máxima presión de gas de este aparato no debe exceder 14.0 pulgadas (34.9 mb) de columna de agua entre el tanque de gas propano y el regulador de presión.

Electricidad

Se usa un enchufe protegido contra las subidas de tensión de corriente en el cable de alimentación.

Toma de tierra adecuada.

El propietario sabe dónde está el disyuntor principal.

Funcionamiento

Las perillas están centradas y giran libremente.

Cada quemador prende bien, tanto en forma individual como junto con otros quemadores funcionando.

Las bisagras de la puerta de la hornilla están enganchadas y se cierran correctamente. La agarradera y la puerta de la hornilla están niveladas y centradas. La puerta se abre y cierra correctamente.

Las rejillas de los quemadores están posicionadas correctamente, están niveladas y no se mueven.

INSTALADOR: escriba el número de modelo y el número de serie de la placa de señalización en la Manual de Cuidado y Uso. Deje el Manual de Cuidado y Uso y el Manual de Instalación al dueño del aparato.

Limpieza y protección de las superficies exteriores

- Frote siempre el acero inoxidable en el sentido del grano.
- Para limpiar y proteger el acero inoxidable, utilice el producto Stainless Steel Conditioner de Thermador, disponible en la tienda en línea de Thermador (www.thermador-eshop.us).
- Para decoloraciones o suciedades persistentes, consulte el manual de uso y cuidado.
- NO permita que suciedades permanezcan por períodos largos de tiempo.
- NO use fibra metálica normal o cepillos metálicos. Se pueden pegar pedazos pequeños de metal a la superficie causando que ésta se oxide.
- NO permita que soluciones salinas, desinfectantes, blanqueadores o compuestos de detergentes tengan contacto prolongado con el acero inoxidable. Muchos de estos compuestos contienen químicos dañinos. Enjuague con agua después de cada exposición y seque con un trapo limpio.

Resolución de problemas

Para obtener información sobre resolución de problemas, consulte la Guía de uso y cuidado.

Consult with a qualified heating and ventilation specialist for your specific ventilation requirements. We reserve the right to change specifications or design without notice.

Some models are certified for use in Canada. THERMADOR[®] is not responsible for products which are transported from the U.S. for use in Canada. Check with your local Canadian distributor or dealer.

Consultez un spécialiste qualifié en chauffage et en ventilation pour connaître les exigences de ventilation précises qui s'appliquent à votre cas. Nous nous réservons le droit de changer les spécifications ou la conception de nos appareils sans préavis.

Certains modèles sont certifiés pour une utilisation au Canada. THERMADOR^{mc} n'est pas responsable des produits transportés à partir des États-Unis pour une utilisation au Canada. Informez-vous auprès de votre distributeur ou détaillant local (Canada).

Consulte a un especialista cualificado en calefacción y ventilación para conocer las exigencias particulares de ventilación que se aplican en su caso. Nos reservamos el derecho a cambiar las especificaciones o el diseño de nuestros aparatos sin previo aviso.

Algunos modelos están aprobados para un uso en Canadá. THERMADOR[®] no es responsable de los productos transportados desde Estados Unidos para un uso en Canadá. Infórmese con su distribuidor o minorista local (Canadá).

Thermador® Service | Entretien | Mantenimiento

Service

We realize that you have made a considerable investment in your kitchen. We are dedicated to supporting you and your appliance so that you have many years of creative cooking.

Please don't hesitate to contact our excellent STAR™ Customer Support Department if you have any questions or in the unlikely event that your THERMADOR® appliance needs service. Our service team is ready to assist you.

USA:
800-735-4328
www.thermador.com/support

Canada:
800-735-4328
www.thermador.ca

Parts & Accessories

Parts, filters, descalers, stainless steel cleaners and more can be purchased in the THERMADOR eShop or by phone.

USA:
www.thermador-eshop.com

Canada:
Marcone 800-287-1627
or
Reliable Parts 800-663-6060

Entretien

Nous savons bien que vous avez investi une somme considérable dans votre cuisine. Nous nous faisons un devoir de vous soutenir pour que vous puissiez profiter pleinement d'une cuisine où vous pourrez exprimer toute votre créativité de nombreuses années durant.

N'hésitez pas à communiquer avec l'un des membres chevronnés de notre équipe de soutien au client si vous avez des questions ou dans le cas plutôt improbable où votre appareil THERMADOR^{MC} aurait besoin d'entretien. Notre équipe sera prête à vous aider.

É.-U. :
800-735-4328
www.thermador.com/support

Canada :
800-735-4328
www.thermador.ca

Pièces et Accessoires

Vous pouvez vous procurer par téléphone ou à notre boutique THERMADOR en ligne des pièces, des filtres, des produits nettoyants pour acier inoxydable et plus encore.

É.-U. :
www.thermador-eshop.com

Canada :
Marcone 800-287-1627
or
Reliable Parts 800-663-6060

Mantenimiento

Nos damos cuenta que Usted invirtió una suma considerable en su cocina. Nos dedicamos a atenderle para que pueda sacar provecho de una cocina donde podrá expresar toda su creatividad durante muchos años.

Por favor, no dude en ponerse en contacto con uno de nuestros empleados ESTRELLAS™ de atención al cliente si tiene preguntas o en el caso más bien improbable que su aparato THERMADOR® necesite mantenimiento. Nuestro equipo estará listo para ayudarle.

EEUU:
800-735-4328
www.thermador.com/support

Canadá:
800-735-4328
www.thermador.ca

Piezas y Accesorios

Usted puede comprar piezas, filtros, productos de limpieza para acero inoxidable por teléfono o en nuestra tienda THERMADOR en línea.

EEUU:
www.thermador-eshop.com

Canadá:
Marcone 800-287-1627
or
Reliable Parts 800-663-6060

Thermador 

REAL INNOVATIONS FOR REAL COOKS®

1901 Main Street, Suite 600, Irvine, CA 92614 • 800-735-4328 • www.thermador.com
9001145037 • Rev. A • © BSH Home Appliances Corporation, 04/16