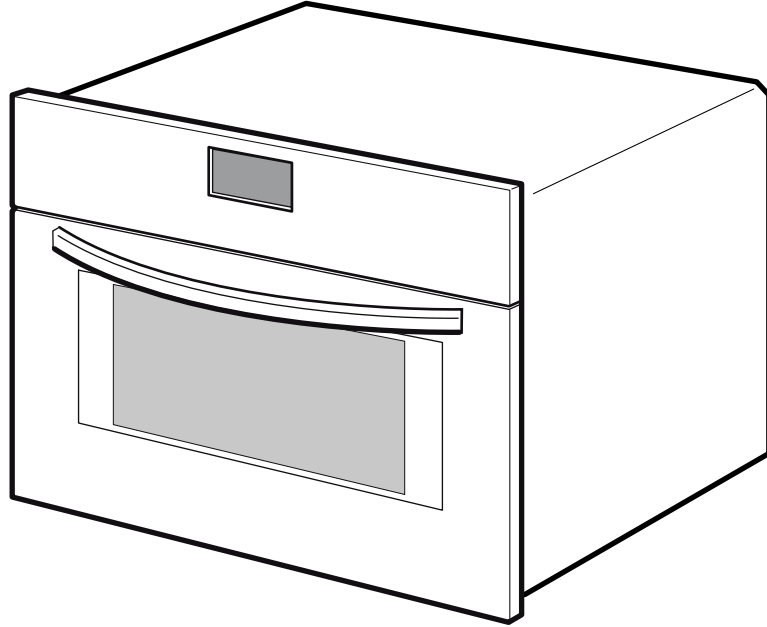
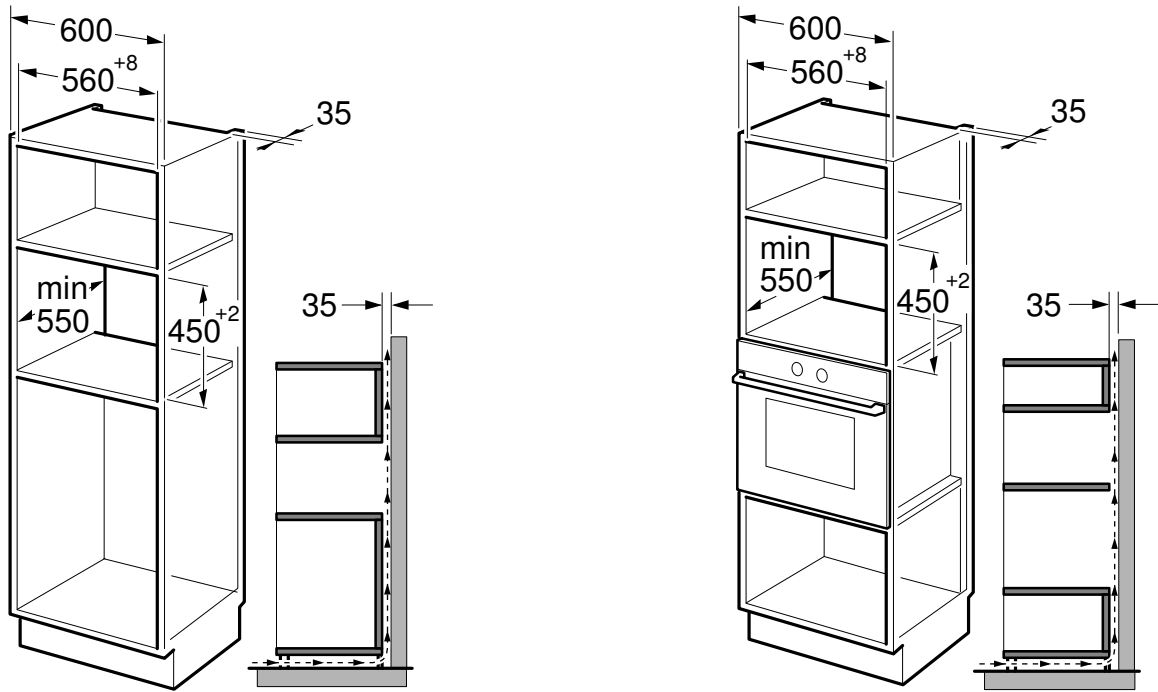




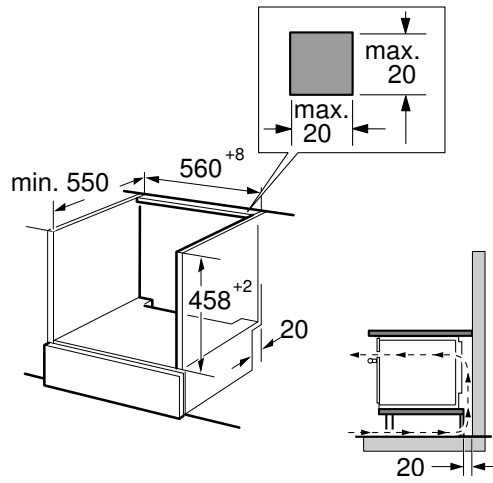
en Installation instructions



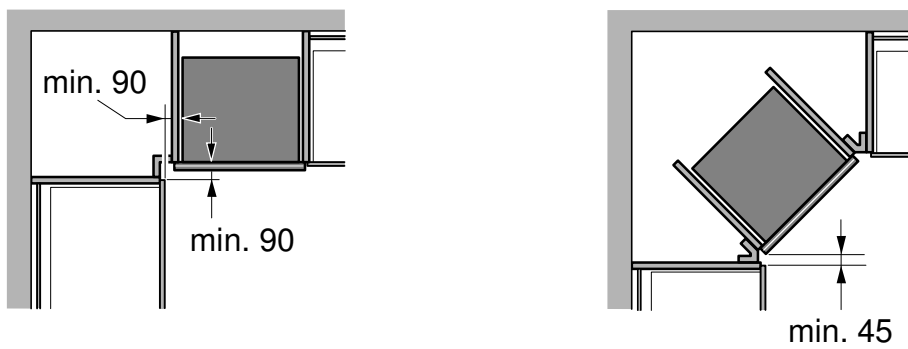
1



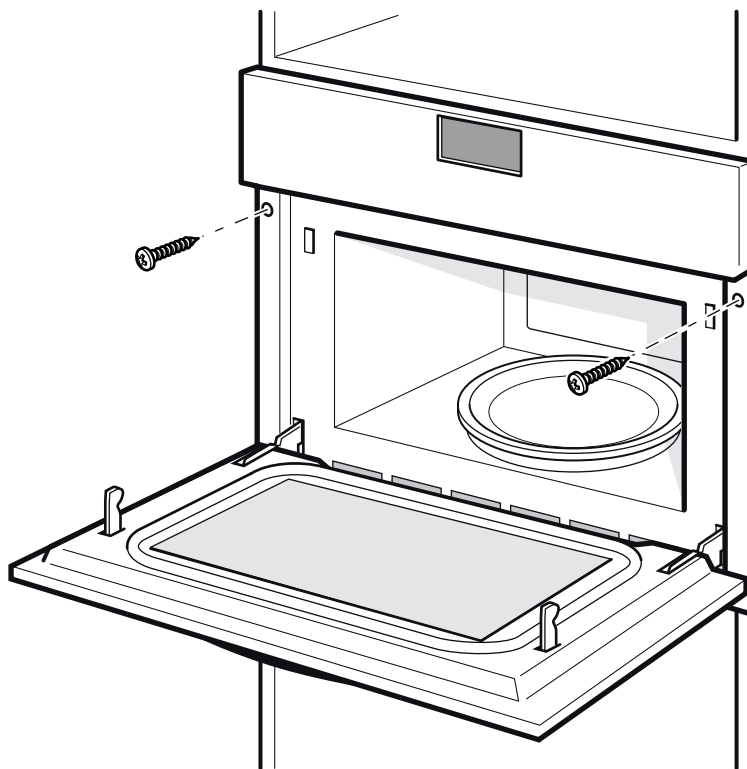
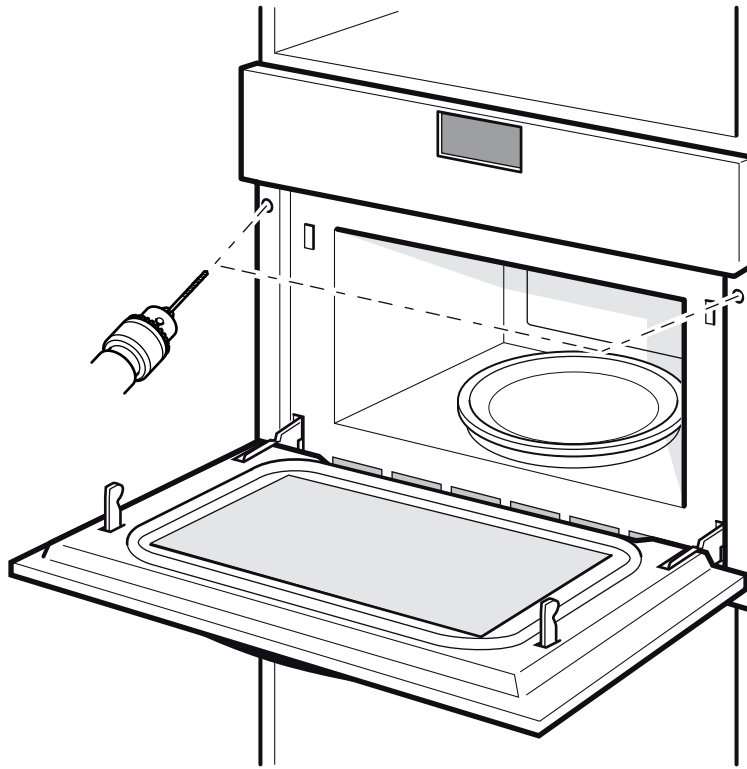
2



3



4



Important information

The appliance is designed to be permanently installed with a three-pin power cord and may only be connected by a licensed expert in accordance with the connection diagram.

Only a qualified electrician who takes the relevant regulations into account may replace the power cord.

Do not use multiple plugs, power strips or extensions. Overloading causes a risk of fire.

If the connection is no longer accessible following installation, an all-pin isolating switch with a contact gap of at least 3 mm must be provided.

Connect the wires of the mains power cord in accordance with the following colour coding:

Green and yellow Earth wire (⊕) (E)

Blue Neutral wire (N)

Brown Live (L)

Great Britain and Australia:

Do not connect the appliance using a 13 A plug or protect it with a 13 A fuse. The appliance must be protected using a fuse that is rated 16 A or higher. The appliance must be disconnected from the power supply during all installation work. When the appliance is installed, protection must be provided against accidental contact in the future.

Fitted units

This appliance is only intended to be fully fitted in a kitchen. This appliance is not designed to be used as a tabletop appliance or inside a cupboard.

The fitted cabinet must not have a back wall behind the appliance. A gap of at least 35 mm must be maintained between the wall and the base or back panel of the unit above.

The fitted cabinet must have a ventilation opening of 50 cm² on the front. To achieve this, cut back the base panel or fit a ventilation grille. Ventilation slots and intakes must not be covered. The safe operation of this appliance can only be guaranteed if it has been installed in accordance with these installation instructions. The fitter is liable for any damage resulting from incorrect installation. The units into which the appliance is fitted must be heat-resistant up to 90 °C, and adjacent unit fronts up to at least 65 °C.

Appliance in the upper cabinet – Fig. 1

Oven under the work surface – Fig. 2

There must be a ventilation cut-out made in the intermediate floor of the base unit.

If the appliance is being installed beneath a hob, observe the hob assembly instructions.

Corner installation – Fig. 3

The dimensions must be taken into consideration for corner installation.

Securing the appliance in place - Fig. 4

1. Fully insert the appliance and centre it.
Do not kink the connecting cable.
2. Screw the appliance into place.
The gap between the worktop and the appliance must not be closed by additional battens.

Removal

1. Disconnect the appliance from the power supply.
2. Undo the securing screws.
3. Raise the appliance slightly and pull it out completely.