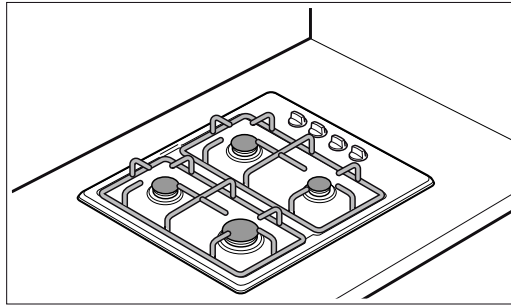


## en Installation instructions

Gas hob





<b>Safety precautions</b> .....	<b>3</b>	Parts for the gas conversion.....	<b>8</b>
<b>Before installing</b> .....	<b>3</b>	Converting the appliance from natural gas to liquefied gas (LPG).....	<b>9</b>
<b>Preparing the units</b> .....	<b>4</b>	Converting the appliance from liquid gas to natural gas.....	<b>9</b>
<b>Installation of appliance</b> .....	<b>4</b>	Replacing the burner nozzles.....	<b>9</b>
Setting up the appliance .....	<b>5</b>	Adjusting or replacing the bypass nozzles.....	<b>10</b>
<b>Removal of hob</b> .....	<b>5</b>	Removing the hob plate .....	<b>11</b>
<b>Set-up, gas and electricity connection</b> .....	<b>5</b>	Replacing the bypass nozzles.....	<b>11</b>
Gas connection .....	<b>5</b>	Installing the hob.....	<b>11</b>
Faults in the gas installation/smell of gas .....	<b>5</b>	<b>Leak test and function test</b> .....	<b>12</b>
Electrical connection .....	<b>6</b>	Check the gas connection .....	<b>12</b>
<b>Types of connection</b> .....	<b>6</b>	Checking the burner nozzles.....	<b>12</b>
Connection for natural gas (NG) .....	<b>6</b>	Checking the bypass valves.....	<b>12</b>
Liquid gas connection (LPG).....	<b>7</b>	<b>Correct flame formation</b> .....	<b>12</b>
<b>Conversion to a different gas type</b> .....	<b>8</b>	Burner .....	<b>12</b>
Measures to note .....	<b>8</b>	<b>Technical data – Gas</b> .....	<b>12</b>
Converting to a different gas type .....	<b>8</b>		

## Safety precautions

Read the appliance instructions before installing and using. The graphics in these Assembly instructions are given as a guide only.

**The manufacturer is exempt from all liability if this manual's requirements are not complied with.**

**All operations relating to installation, regulation and conversion to other gas types must be carried out by an authorised installation engineer, respecting all applicable regulations, standards and the specifications of the local gas and electricity providers.**

**You are recommended to contact the Technical Assistance Service to convert to another gas type.**

**Before you begin, turn off the appliance's electricity and gas supply.**

This appliance has been designed for home use only, not for commercial or professional use. This appliance cannot be installed on yachts or in caravans. The warranty will only be valid if the appliance is used for the purpose for which it was designed.

After connecting the appliance, check that the local conditions (type of gas and pressure) are compatible with the appliance settings. The permissible appliance settings can be found on the label or rating plate.

These instructions are only valid if the appropriate country symbol appears on the appliance. If the symbol does not appear on the appliance, it is necessary to refer to the technical instructions which will provide the necessary instructions concerning modification of the appliance to the conditions of use of the country.

This appliance can only be installed in a well-ventilated place in accordance with existing regulations and ventilation specifications. The appliance must not be connected to a combustion product removal device.

The supply cable must be attached to the unit to prevent it from touching hot parts of the oven or hob.

Appliances with electrical supply must be earthed.

Do not tamper with the appliance's interior. If necessary, call our Technical Assistance Service.

## Before installing

This appliance is class 3 type, according to the EN 30-1-1 regulation for gas appliances: built-in appliance.

The units next to the appliance must be made of non-flammable materials. The laminated covering and glue for adhering it must be heat resistant.

This appliance cannot be installed above fridges, washing machines, dishwashers or similar.

If the hob is installed above an oven, it must have forced ventilation. Check the dimensions of the oven in your installation instructions.

If an extractor hood is fitted, this must be done according to the installation instructions and always allowing for a vertical minimum clearance of 650 mm to the hob.

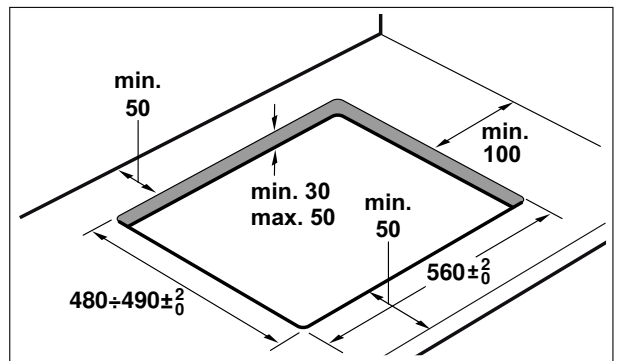
# Preparing the units

Make an appropriate size cut in the work surface.

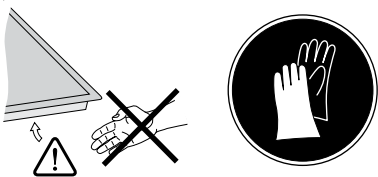
The appliance must be set up and inserted in accordance with the specified dimensions. The appliance must not be set up on any other object.

If the hob is electric or mixed (gas and electricity) and there is no oven below, place a non-flammable separator (e.g. metal or plywood) 10 mm from the bottom of the hob. This will prevent access to the base of the hob. If the hob is gas, it is recommendable to place the separator at the same distance.

On wood work surfaces, varnish the cutting surfaces with a special glue. This protects them from moisture which could collect under the work surface.

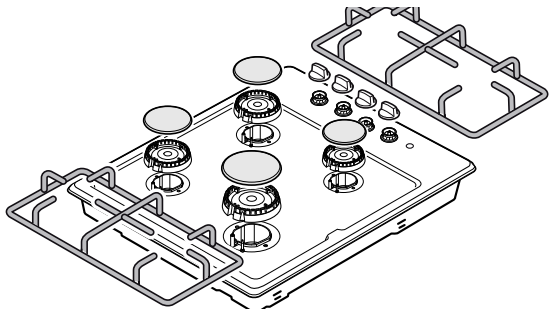


# Installation of appliance



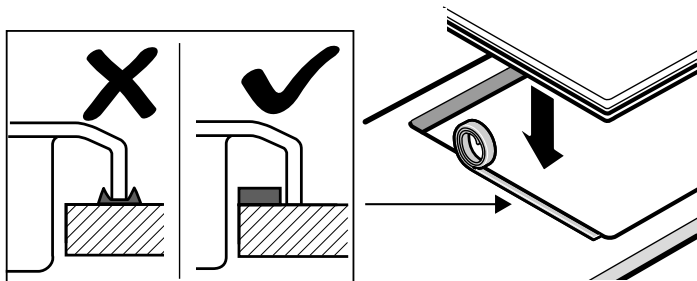
**Note:** Wear protective gloves to fit the hob.

Remove the pan support, handles, burner cap and burner heads.



Turn the appliance over carefully and place it on a soft cloth. Make sure that the ignition parts are not damaged.

The adhesive seal provided prevents leaks. Adhere it to the work surface around the cut-out. It must be adhered around the edge of the area cut out.

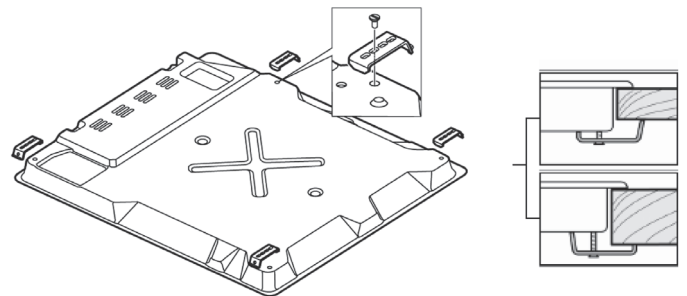


Fitting the appliance onto the kitchen unit:

1. Remove the clips from the accessory bag and screw them into the position indicated so that they can turn freely.
2. Insert and centre the hob.  
Press the sides of the hob until it is supported around its entire perimeter.

3. Turn the clips and tighten them fully.

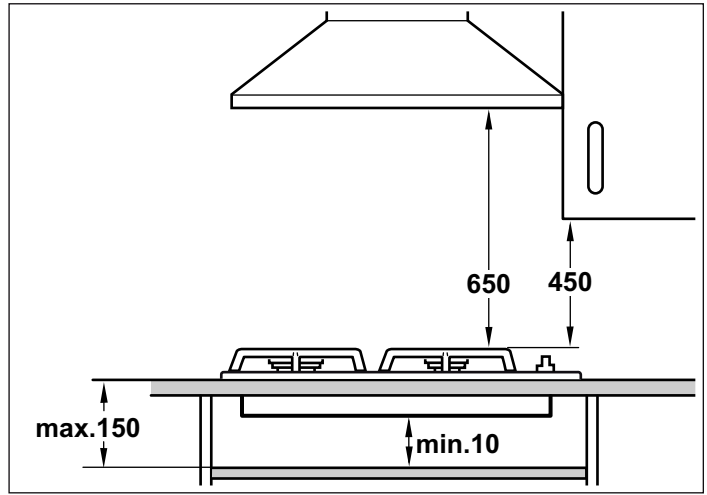
The position of the clips depends on how thick the work surface is.



Do not stick the hob onto the worktop with silicone.

## Setting up the appliance

- The distance between the top edge of the cooker and the bottom edge of the extractor hood must comply with the extractor hood manufacturer's specifications.
- Ensure that the appliance is not moved again after it is set up. In particular, the distance from the high-output burner to the fronts of adjacent units or from the wall must be at least 50 mm.
- The underside of the appliance heats up during operation. We therefore recommend that you install a guard plate on the underside of the appliance.



## Removal of hob

Turn off the appliance's electricity and gas supply.

Unscrew the clips and proceed in the reverse order to installation.

## Set-up, gas and electricity connection

### Gas connection

Installation must only be performed by an approved expert or a licensed after-sales service engineer in accordance with the instructions specified in the "Installation instructions".

#### For the licensed expert or after-sales service

##### Caution!

The setting values for this appliance are specified on the rating plate on the back of the appliance. The gas type set in the factory is marked with an asterisk (\*).

If the star symbol appears next to the label "NG", the appliance is set up for natural gas, and if it appears next to "LPG", the appliance is set up for liquefied gas.

##### Caution!

Before connecting the appliance, check whether the local connection conditions (gas type and pressure) correspond to the appliance settings. If a change to the appliance settings is necessary, make the change with the aid of the instructions in the "Installation instructions".

##### Caution!

This appliance is not connected to a waste gas main. It must be connected and commissioned in accordance with the installation conditions. Do not connect the appliance to a waste gas main. All ventilation regulations must be observed.

##### Caution!

The gas connection must be made via a fixed, i.e. not mobile connection (gas line) or via a safety hose.

##### Caution!

If using the safety hose, ensure that the hose is not trapped or crushed. The hose must not come into contact with hot surfaces.

##### Caution!

The gas connection must have an easily accessible locking device.

### Safety information

The nominal operating pressure of the appliance is:

for natural gas (G20) 20 mBar, for natural gas (G25) 25 mBar, for LPG (G30) 30 mBar, for LPG (G31) 37 mBar. The appliance must be operated at these pressure values. All data on the rating plate of your appliance relates to these pressure values. The manufacturer is not responsible for results, performance or any risk caused by operating the appliance at different values.

#### ⚠ If the gas pressure in your gas supply grid!

for natural gas (G20) is higher than 25 mBar, for natural gas (G25) is higher than 30 mBar, for LPG (G30) is higher than 36 mBar, for LPG (G31) is higher than 45 mBar, you must use your appliance in conjunction with a suitable gas regulator, for safety reasons. Connection, maintenance and configuration of the gas regulator must be performed by an authorised installation expert. If you do not know the gas pressure in your gas supply grid, please ask your local supply grid operator.

### Faults in the gas installation/smell of gas

If you notice a smell of gas or faults in the gas installation, you must:

#### ⚠ WHAT TO DO IF YOU SMELL GAS!

Escaping gas may cause an explosion.

#### If you smell gas or notice any faults in the gas installation:

- Immediately shut off the gas supply or close the gas cylinder valve.
- Immediately extinguish all naked flames and cigarettes.
- Do not use any light or appliance switches and do not pull any plugs out of sockets. Do not use any telephones or mobile phones within the building.
- Open windows and ventilate the room.
- Call the after-sales service or the gas supplier.

## Electrical connection

### Caution!

- Have the appliance set up by your after-sales service. A 16 A fuse is required for connection. The appliance is designed for operation at 220-240 V.
- If the electricity supply drops below 180 V, the electrical ignition system does not work.
- Any damage arising from the appliance being connected incorrectly will invalidate the guarantee.
- If the supply cord is damaged, it must be replaced by the manufacturer, its service agent or similarly qualified persons in order to avoid a hazard.

### For the after-sales service

### Caution!

The electrical connection must only be carried out by a licensed service technician. Observe the instructions of the relevant electricity provider.

### Caution!

The appliance must be connected in accordance with the data on the rating plate.

### Caution!

The mains voltage must correspond to the voltage specified on the label or rating plate.

### Caution!

Only connect the appliance to an electrical connection that meets the applicable provisions. The socket must be easily accessible so that you can disconnect the appliance from the electricity supply if necessary.

### Caution!

Please ensure the availability of a multi-pin disconnecting system.

### Caution!

Never use extension cables or multiple plugs.

### Caution!

For safety reasons, this appliance must only be connected to an earthed connection. If the safety earth terminal does not comply with regulations, safety against electrical hazards is not guaranteed.

### Caution!

You must use a H 05 W-F type cable or equivalent for the appliance connection.

### Connection for models with mains cable without plug (optional):

### Caution!

Appliances fitted with three-core cables must be earthed.

Connect the wires with the mains cable according to the following colour coding:

Green/yellow	Earth (⊕)
Blue	Neutral
Brown	Phase

If the mains cable has to be replaced: Connect the cable to the appliance according to the wiring diagram.

## Types of connection

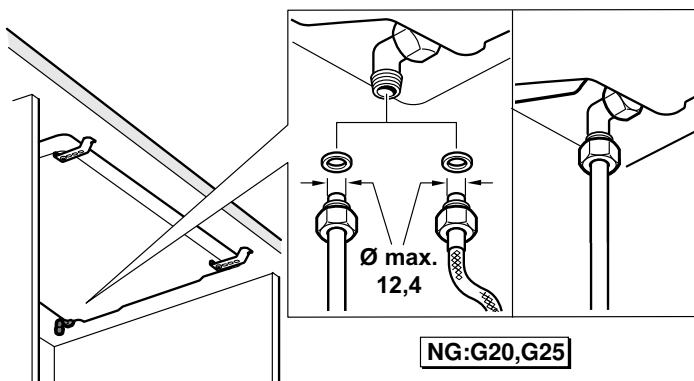
These instructions apply only when the appliance is set up in countries that are indicated on the rating plate.

**Note:** If the appliance is set up, connected and used in a country that is not indicated on the rating plate, installation and assembly instructions must be used that contain data and information on the valid connection conditions in the relevant country.

The gas connection must be located in a position where the stop tap is accessible.

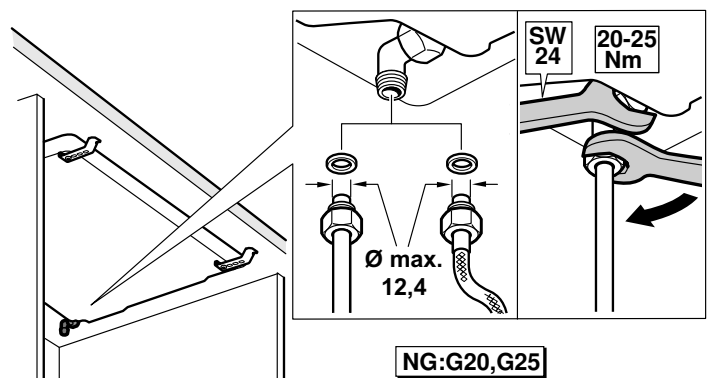
### Connection for natural gas (NG)

If natural gas (NG) is used, the gas connection should be established via a gas pipe or via a flexible safety gas hose with threaded connections at both ends.



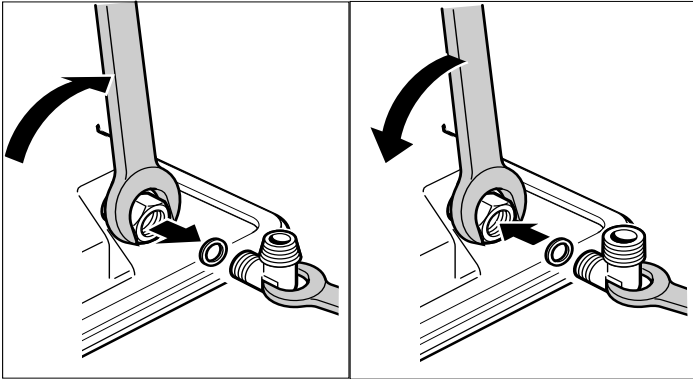
After establishing the connection, carry out a leak test. See the section "Leak test".

**Note:** Use a torque wrench to connect the appliance.



Place the gas pipe or the flexible safety gas hose with thread (using a size 24 key) and with a new seal on the connecting piece and tighten it securely.

**Note:** If a cylindrical connection is required, replace the clamp that is installed at the factory with the cylindrical clamp from the accessory kit.



The permissible natural gas connection types according to country are as follows:

Country	EN 10226 R <sup>1/2</sup> (TS 61-210 EN 10226 R <sup>1/2</sup> )	EN ISO 228 G <sup>1/2</sup> (TS EN ISO 228 G <sup>1/2</sup> )
AT Austria	X	
BE Belgium		X
CH Switzerland	X	
DE Germany	X	
ES Spain	X	X
FR France		X
GR Greece	X	
IT Italy	X	X
NL Netherlands	X	
PT Portugal	X	X
HR Croatia	X	
SL Slovenia	X	
XS Serbia	X	
DE Turkey	X	X
PL Poland	X	X
RO Romania	X	X
AE United Arab Emirates		X
ZA South Africa		X
HU Hungary	X	
RU Russia		X
GB England	X	

## Liquid gas connection (LPG)

### Caution!

Observe the country-specific guidelines.

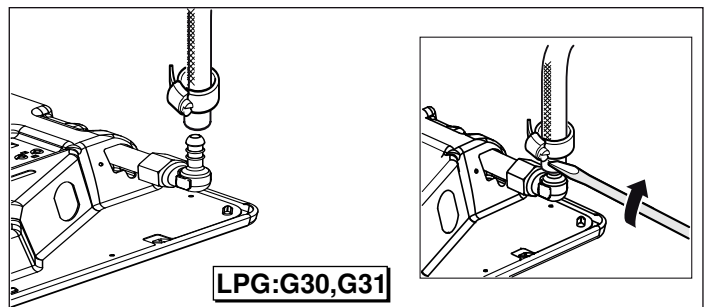
If liquid gas (LPG) is used, the gas connection should be established via a gas hose or a fixed connection.

Important information when using a gas hose:

- A safety gas hose or a plastic hose (8 mm diameter) must be used.
- It must be secured to the gas connection using an approved connecting device (for example, a hose clamp).
- The hose must be short and completely leak-tight. The hose can have a maximum length of 1.5 m. Observe the current guidelines.
- The gas hose must be replaced at least once a year.

Fit the flexible safety gas hose and use a screw connection or a cable clamp to tighten it securely.

After establishing the connection, carry out a leak test. See the section "Leak test".



# Conversion to a different gas type

## Measures to note

The appliance may only be converted to a different gas type by an approved specialist, in accordance with the instructions in this manual.

**Incorrect connection and incorrect settings may cause serious damage to the appliance. The appliance manufacturer accepts no liability for damage and malfunctions of this kind.**

Pay close attention to the symbols indicated on the rating plate. If there is no symbol for your country, follow the technical guidelines that apply in your country when making settings.

Before setting up the appliance, determine the gas type and pressure in the local supply network. Before using the appliance for the first time, make sure that all settings have been made correctly.

Pay attention to local and international rules and regulations.


All connection data can be found on the rating plate on the rear of the appliance at the bottom.

Enter the data in the following table:

Product number (E no.),

Manufacturing number (FD),

Enter the factory settings for gas type/gas pressure, as well as the settings for gas type/pressure that apply after the gas conversion, in the following table.

E no.	FD no.
After-sales service 	
Type of gas / gas pressure	
Data on the rating plate	
Type of gas / gas pressure	
Data after gas conversion	

The changes made to the appliance and the type of connection play an important role in ensuring that the appliance operates correctly and safely.

## Converting to a different gas type

- The gas connection must be replaced.
- The nozzles for the burners must be replaced.
- Depending on the factory gas setting, the bypass nozzles in the burner valves must either be replaced, or screwed in fully.

Numbers are printed on the nozzles indicating their diameter. Further information about the gas types suitable for the appliance, as well as the corresponding gas nozzles, can be found in the section entitled "Technical properties - gas".

### After the conversion

- After the appliance has been converted to a different gas type, you must perform a leak test. See the section entitled "Leak test".
- After the appliance has been converted to a different gas type, you must check the flame behaviour. See the section entitled "Correct flame behaviour".
- Enter the newly-set type of gas and gas pressure in the table. See the section entitled "Measures to be observed".

### Caution!

After the appliance has been converted to a different gas type, the labels giving information on the gas type and showing a star must be affixed at the appropriate point on the rating plate **MAKE SURE THAT YOU DO THIS.**

## Parts for the gas conversion

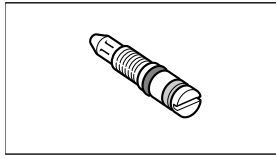
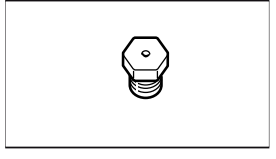
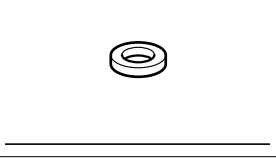
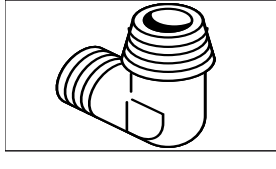
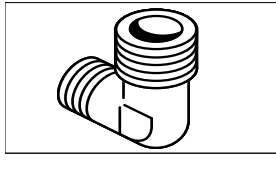
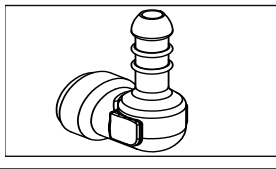
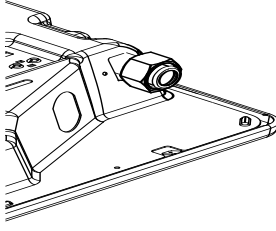
Illustrations of the parts that are required for the gas-type conversion are included below.

To determine the correct nozzle diameter, see the table "Technical data - Gas".

Always use a new seal.

The gas connecting piece may vary depending on the gas type and the country-specific guidelines.

(\* You must never establish a gas connection without these parts.

	<b>Bypass nozzle</b>
	<b>Burner nozzle</b>
	<b>(*) Seal</b>
	<b>(*) Connecting piece for natural gas</b> <b>(NG: G20, G25)</b> TS 61-210 EN 10226 R $\frac{1}{2}$ EN 10226 R $\frac{1}{2}$
	<b>(*) Connecting piece for natural gas</b> <b>(NG: G20, G25)</b> TS EN ISO 228 G $\frac{1}{2}$ EN ISO 228 G $\frac{1}{2}$
	<b>(*) Connecting piece for liquid gas</b> <b>(LPG: G30, G31)</b>
	<b>Screw connection</b>



## Converting the appliance from natural gas to liquefied gas (LPG)

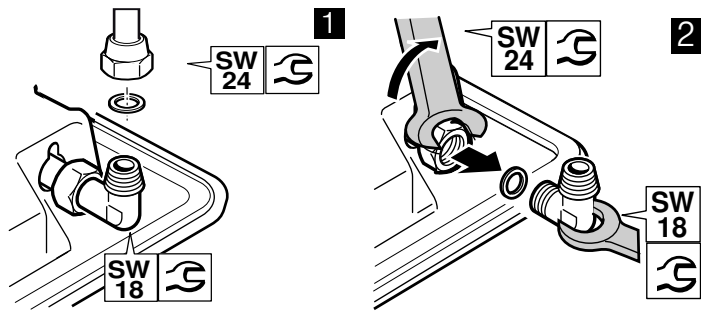
If the appliance is converted from natural gas (NG: G20, G25) to liquid gas (LPG: G30, G31):

Replace the natural gas adaptor in the appliance with a liquid gas connection pipe.

- First, loosen the flexible safety gas hose or the gas pipe and disconnect it from the appliance.

For this, disconnect the gas pipe or the threaded screw connection on the flexible safety gas line (using a size 24 key) from the gas connecting pieces (**held using a size 18 key**). Figure 1.

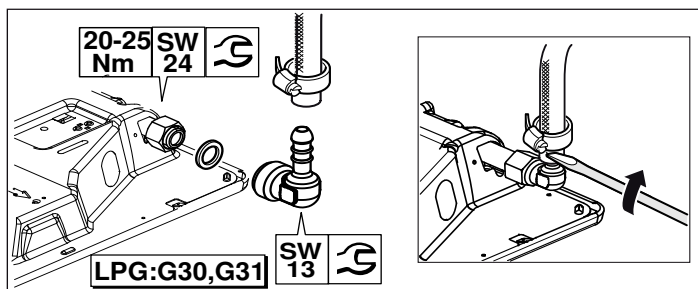
Remove the connecting piece (**held using a size 13 key**) from the appliance's gas screw connection (using a size 24 key). Figure 2.



If liquid gas (LPG) is used, the gas connection should be established via a gas hose or a fixed connection.

- Insert the new seal into the connecting piece. Ensure that the seal is seated properly.
- Plug the connecting piece (**held using a size 13 key**) into the appliance's gas screw connection (using a size 24 key).
- Fit the safety gas hose and use a screw connection or a cable clamp to tighten it securely.
- For more information about the leak test, see the section "Leak test". Open the gas connection locking device.

**Note:** Use a torque wrench when converting the gas type.



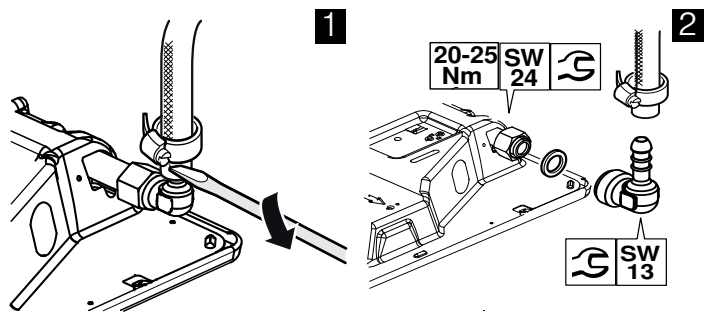
## Converting the appliance from liquid gas to natural gas

If the appliance is converted from liquid gas (LPG: G30, G31) to natural gas (NG: G20, G25):

If natural gas (NG) is used, the gas connection should be established via a gas pipe or via a flexible safety gas hose with threaded connections at both ends.

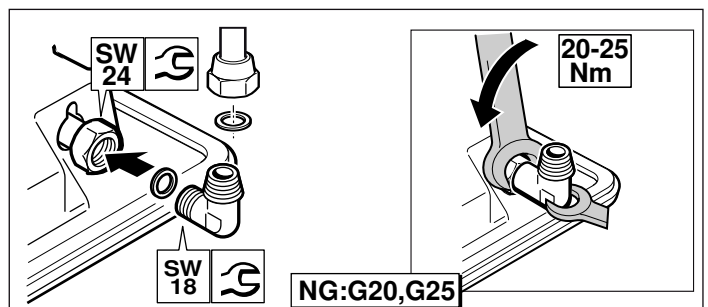
- Replace the gas connection pipe in the appliance with a natural gas adaptor. First, loosen the screw connection from the flexible safety gas hose (if available) or loosen the cable clamp, and disconnect this from the appliance. Figure 1.

Remove the connecting piece (**held using a size 13 key**) from the appliance's gas screw connection (using a size 24 key). Figure 2.



- Insert the new seal into the connecting piece. Ensure that the seal is seated properly.
- Plug the connecting piece (**held using a size 13 key**) into the appliance's gas screw connection (using a size 24 key).
- Place the gas pipe or the flexible safety gas hose with thread (using a size 24 key) and with a new seal on the connecting piece and tighten it securely.
- For more information about the leak test, see the section "Leak test". Open the gas connection locking device.

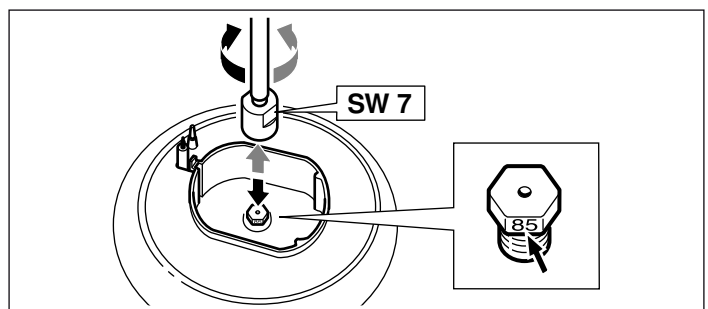
**Note:** Use a torque wrench when converting the gas type.



## Replacing the burner nozzles

After having replaced the gas connecting piece on the appliance to be converted to another gas type, all burner nozzles must be replaced. The following steps must be observed:

- Turn off all switches on the control panel.
- Shut off the gas supply.
- Remove the pan support and burner parts.
- Remove the burner nozzles (Allen key 7).



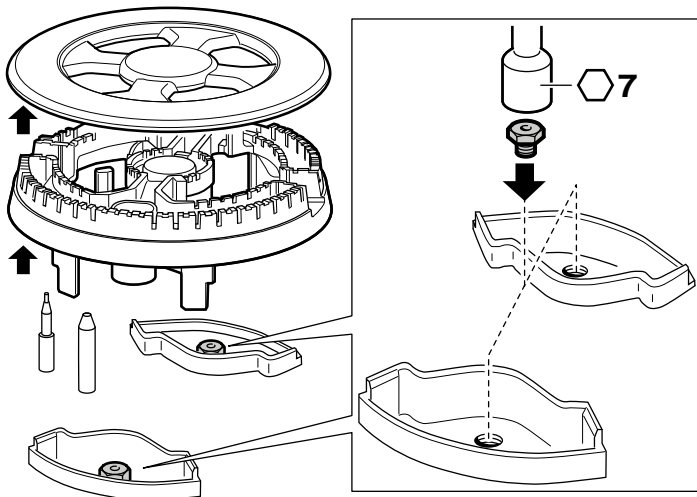
- To identify the burner nozzles, see the table in the section entitled "Technical properties - gas". Insert the new nozzles in the corresponding burners.

Once the nozzles have been replaced, perform a leak test. See the section entitled "Leak test".

\* **Option:** Only valid for some models.

**Note:** For hobs with a wok

;



### Adjusting or replacing the bypass nozzles

The bypass nozzles regulate the minimum flame height of the burners.

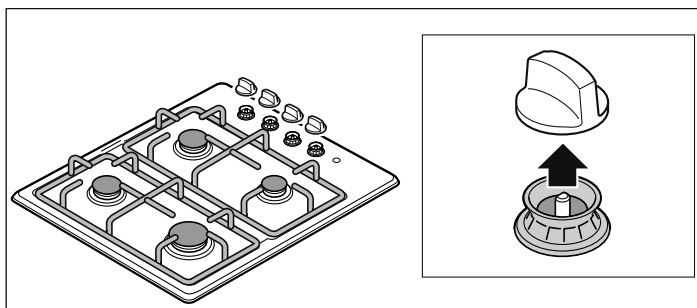
#### Preparation

Shut off the gas supply.

#### ⚠ Risk of electric shock!

Disconnect the appliance from the power supply.

1. Turn off the switches on the control panel.
2. Pull of all handles carefully upwards.

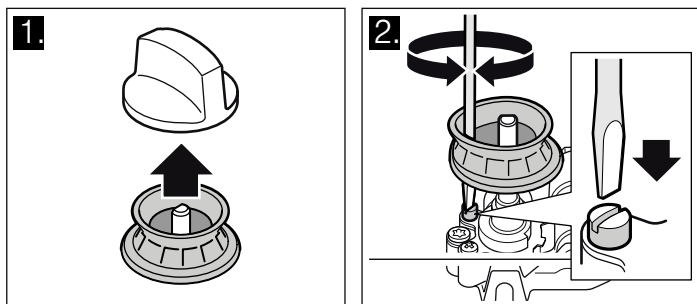


### Adjust the bypass nozzles for the conversion from natural gas to liquid gas, or replace these:

#### For versions with direct access to bypass nozzles (optional):

Tighten the bypass nozzles as far as they go via the drain openings in the hob.

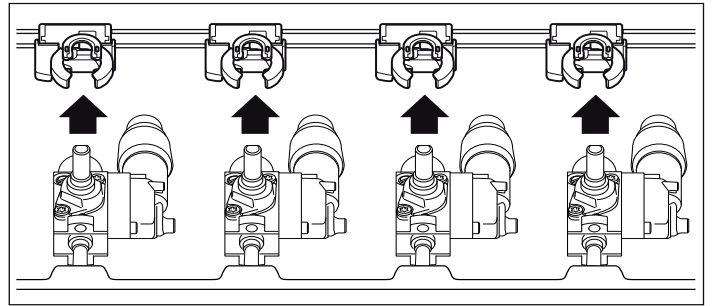
The burner's bypass nozzles are adjusted via the drain openings that can be seen when the control knob is removed from the control panel. Put a flat-blade screwdriver (no. 2) through the drain holes (ensure that you do not damage the cables) and tighten the bypass nozzles as far as they will go.



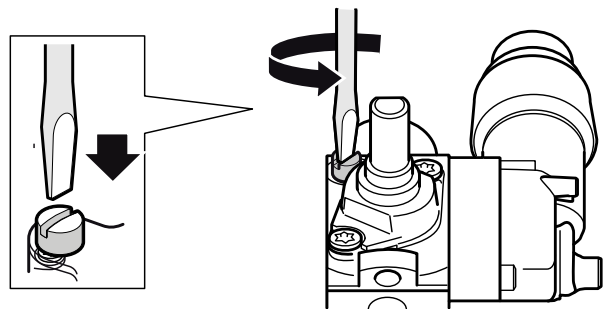
### For designs that do not have direct access to bypass nozzles (optional):

To reach the bypass nozzles, you must remove the hob. See section "Removing the hob".

After the hob has been removed, remove the ignition group from the taps.



The bypass nozzles must then be tightened as far as they will go.



Reinsert the ignition group and install the hob as described in the section "Installing the hob".

### Adjust the bypass nozzles for the conversion from liquid gas to natural gas, or replace these:

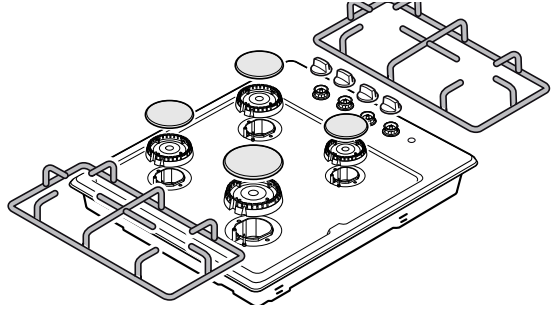
All of the burner nozzles in the appliance must be replaced. See section "Removing the hob".

After the hob has been removed, remove the ignition group from the taps. You must then carry out the steps in the section "Replacing the bypass nozzles".

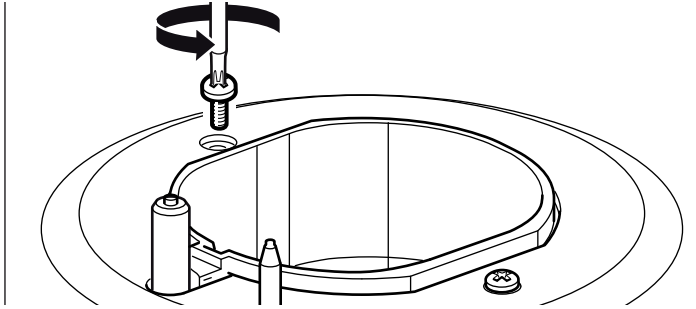
Then reinsert the ignition group and carry out the steps in the section "Installing the hob".

## Removing the hob plate

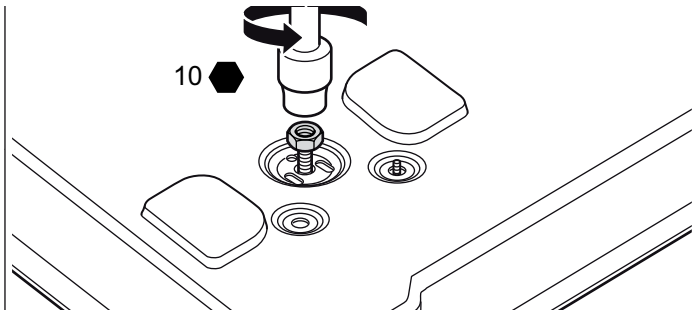
1. Remove the pan support, the handles and burner parts.



2. Loosen the hob plate burner connection screws.



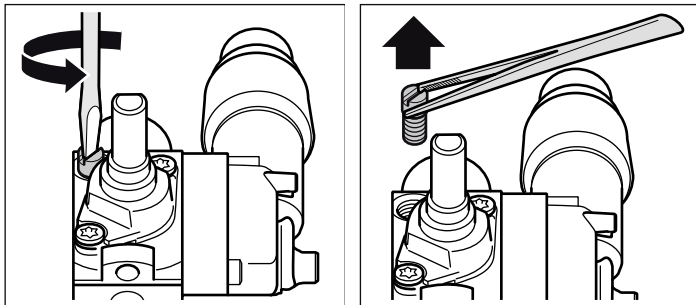
3. For models with electric hotplate (optional): After loosening the burner screws, turn the hob over and remove the connection nut for the electric hotplate.



4. Grip the hob plate at the sides with both hands and lift it carefully.

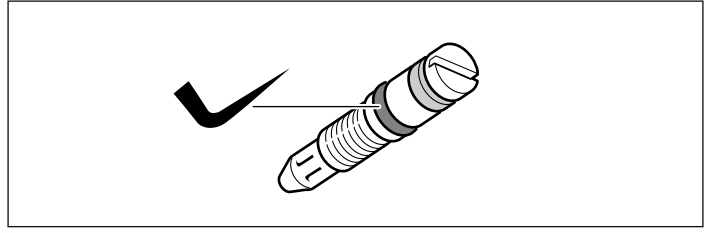
## Replacing the bypass nozzles

1. Use a flat-blade screwdriver (no. 2) to unscrew the bypass nozzles. Remove the bypass nozzles.



2. Select the appropriate new bypass nozzles from the table in accordance with the gas type to which you are converting. See the section "Technical data – Gas".

3. Check that the seals on the bypass nozzles are seated correctly and work properly. Only use bypass nozzles with absolutely faultless seals.



4. Insert the new bypass nozzles and tighten them securely. Ensure that all bypass nozzles have been fastened to the correct taps.

5. During this phase, you must carry out a leak test. See the section "Leak test".

## Installing the hob

Install in reverse order.

1. Ensure that the cables are not damaged and the connections do not come loose. Slowly insert the ignition group.

2. Slowly place the hob onto the burners. Attach the burner screws from the hob.

### Caution!

In doing so, ensure that ignition plug and thermal element seals do not fall under the hob.

3. For versions with an electric hotplate (optional): After you have screwed in the burner screws, turn the hob around and attach the terminal nuts for the electric hotplate.

### After the bypass nozzles have been adjusted and replaced

1. Insert the lower parts of the burner in the relevant position and insert the ignition plugs into the corresponding openings beside the lower parts of the burner. Place the enamelled burner lids (note the sizes) onto the centre of the appropriate lower parts of the burner.

2. Refit the pan support grids or wire racks.

3. Fit the control knobs carefully.

4. At this stage, you must check the burning behaviour of the gas burners. See the section "Safe burning behaviour".

5. Check whether the appliance is functioning correctly.

# Leak test and function test

## Risk of explosion!

Avoid sparking. Do not use an open flame.  
Perform the leak test only with a suitable leakage spray.

### In the event of a gas leak

Shut off the gas supply.  
Ensure that the room affected is well ventilated.  
Check the gas and valve connections again. Repeat the leak test.

The leak test must be performed by two people, in accordance with the following instructions.

### Check the gas connection

1. Open the gas supply.
2. Spray the gas connection with a leakage spray.

If small bubbles or foam form, indicating a gas leak, follow the instructions in the section entitled "*In the event of a gas leak*".

### Checking the burner nozzles

1. Open the gas supply.  
Carry out the leak test separately for each nozzle.
2. Carefully close the hole in the burner nozzle to be checked using your finger or a suitable device.
3. Spray the nozzle with a leakage spray.
4. Press the function selector and turn it anti-clockwise. This supplies the nozzle with gas.

If small bubbles or foam form, indicating a gas leak, follow the instructions in the section entitled "*In the event of a gas leak*".

### Checking the bypass valves

1. Open the gas supply.  
Carry out the leak test separately for each bypass screw.
2. Carefully close the hole in the burner nozzle to be checked using your finger or a suitable device.
3. Spray the nozzle in the burner to be checked with a leakage spray.
4. Push the control knob and turn it anti-clockwise. This supplies the nozzle with gas.

If small bubbles or foam form, indicating a gas leak, follow the instructions in the section entitled "*In the event of a gas leak*".

# Correct flame formation

## Burner

The burning behaviour and soot formation must be checked for each burner after the gas type has been changed.

If there is a problem, the nozzle values must be compared with the values in the table.

1. Ignite the gas burner in accordance with the instructions in the operating instructions.

2. Turn the control knob to the small flame setting.  
Check whether the flame safety system is operating by holding the flame at the "Small flame" setting for one minute.
3. Check the correct burner behaviour for large and small flames. The flame should burn evenly and constantly.
4. Turn the control knob quickly from the large flame to the small flame and back again. Repeat this process several times. The gas flame must not flicker or go out.

# Technical data – Gas

The different types of gas and the corresponding values are listed here.

## Nozzle values for economy burners

	G20	G25	G30
Gas pressure (mbar)	20	25	29
Nozzle (mm)	0.72	0.72	0.50
Bypass nozzle (mm)	0.3	0.3	0.3
Input power, max. (kW)	1	1	1
Input power, min (kW)	≤0.33	≤0.33	≤0.33
Gas flow at 15 °C and 1013 mbar m <sup>3</sup> /h	0.095	0.111	-
Gas flow at 15 °C and 1013 mbar g/h	-	-	73

**Nozzle values for normal burners**

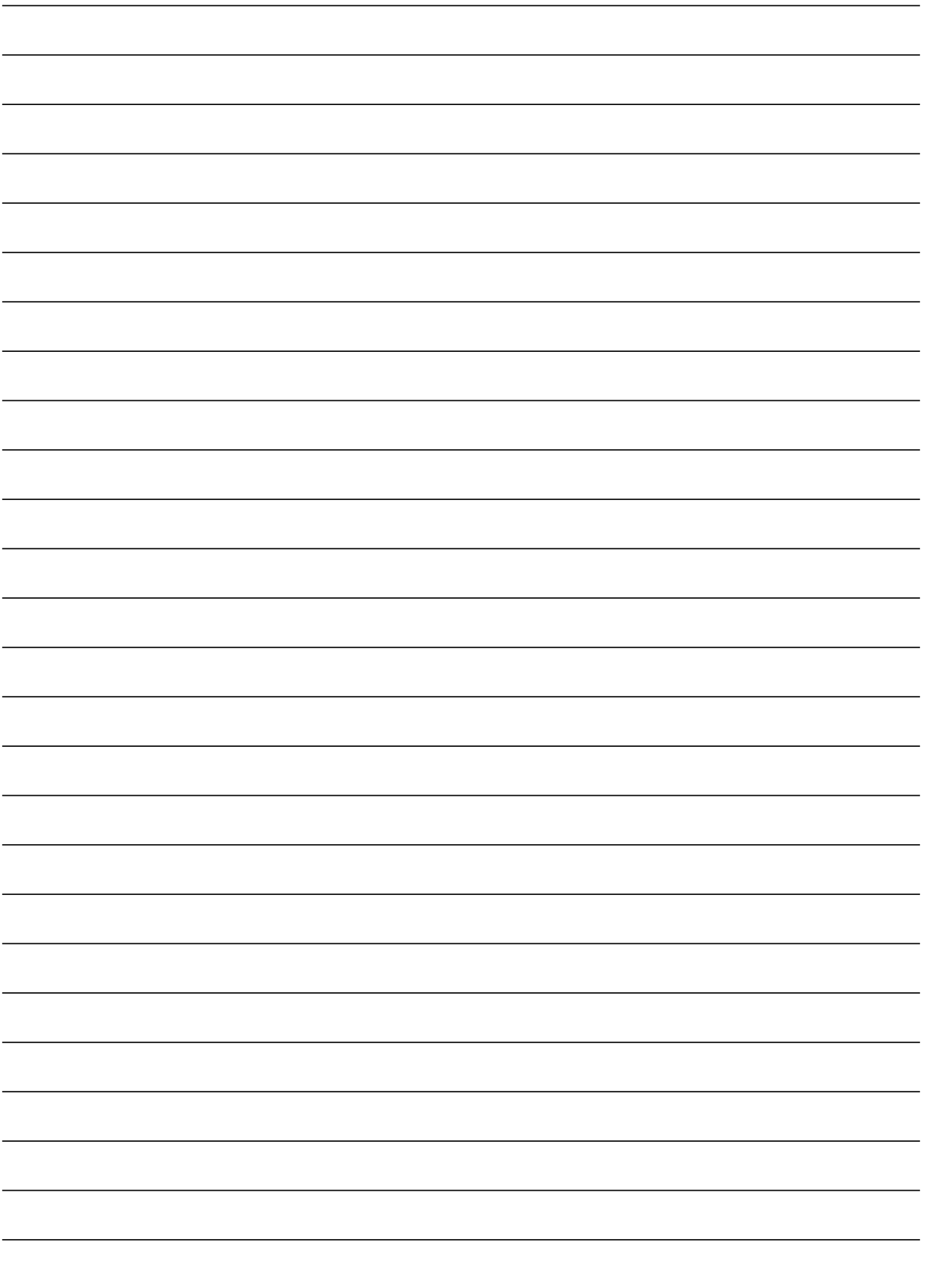
	<b>G20</b>	<b>G25</b>	<b>G30</b>
Gas pressure (mbar)	20	25	29
Nozzle (mm)	1.00	0.98	0.67
Bypass nozzle (mm)	0.32	0.32	0.32
Input power, max. (kW)	1.75	1.75	1.75
Input power, min (kW)	≤0.35	≤0.35	≤0.9
Gas flow at 15 °C and 1013 mbar m <sup>3</sup> /h	0.167	0.194	-
Gas flow at 15 °C and 1013 mbar g/h	-	-	127

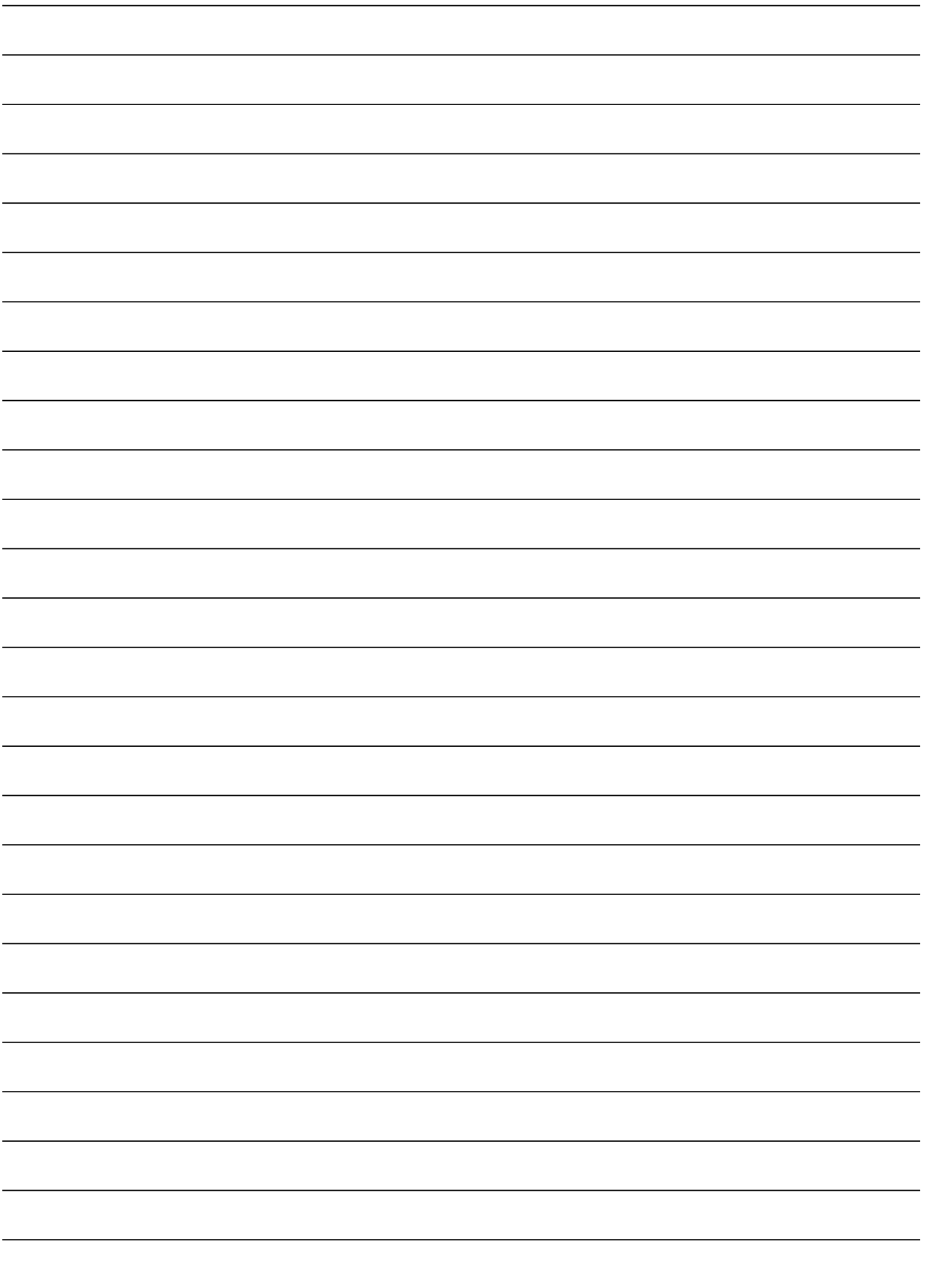
**Nozzle values for larger burners (optional)**

	<b>G20</b>	<b>G25</b>	<b>G30</b>
Gas pressure (mbar)	20	25	29
Nozzle (mm)	1.15	1.28	0.85
Bypass nozzle (mm)	0.39	0.39	0.39
Input power, max. (kW)	3	3	3
Input power, min (kW)	≤0.50	≤0.50	≤1.3
Gas flow at 15 °C and 1013 mbar m <sup>3</sup> /h	0.286	0.333	-
Gas flow at 15 °C and 1013 mbar g/h	-	-	218

**Nozzle values for mini woks (optional)**

	<b>G20</b>	<b>G25</b>	<b>G30</b>
Gas pressure (mbar)	20	25	29
Nozzle (mm)	1.03	1.04	0.68
Bypass nozzle (mm)	0.61	0.61	0.61
Input power, max. (kW)	3.3	3.3	3.3
Input power, min (kW)	≤1.55	≤1.55	≤1.55
Gas flow at 15 °C and 1013 mbar m <sup>3</sup> /h	0.314	0.366	-
Gas flow at 15 °C and 1013 mbar g/h	-	-	240







9001119023