

SIEMENS

Fridge-freezer

Холодильно-морозильная комбинация

Салқындату және мұздату

Sovutgich-Muzlatgich

маციғзрисиs да сауинһулес кoмбинһациa

KG..N..

[en] Instruction manual
[ru] Правила пользования
[kk] Пайдалану нұсқаулығы
[uz] Foydalanish yo'riqnomasi
[ka] მონმარების ინსტრუქცია



Register your product on My Siemens and discover exclusive services and offers.
siemens-home.bsh-group.com/welcome

The future moving in.

Siemens Home Appliances

en Table of Contents

Safety and warning information	5	Max. freezing capacity	17
Information concerning disposal	8	Freezing and storing food	17
Scope of delivery	8	Freezing fresh food	17
Installation location	9	Super freezing	18
Observe ambient temperature and ventilation	9	Thawing frozen food	19
Connecting the appliance	10	Interior fittings	19
Getting to know your appliance	10	Sticker "OK"	20
Switching on the appliance	12	Switching off and disconnecting the appliance	20
Setting the temperature	12	Cleaning the appliance	21
Special functions	13	Light (LED)	22
Alarm function	14	Tips for saving energy	22
Usable capacity	14	Operating noises	22
Refrigerator compartment	15	Eliminating minor faults yourself	23
Super cooling	16	Appliance self-test	25
Freezer compartment	16	Customer service	25

ru Содержание

Указания по безопасности и предупреждения	26	Замораживание и хранение продуктов	40
Указания по утилизации	30	Замораживание свежих продуктов питания	40
Объем поставки	30	Суперзамораживание	42
Место установки	31	Размораживание продуктов	42
Температура окружающей среды и вентиляция	31	Специальное оснащение	42
Подключение бытового прибора	32	Наклейка «OK»	43
Знакомство с бытовым прибором	33	Выключение прибора и вывод его из эксплуатации	44
Включение прибора	34	Чистка прибора	44
Установка температуры	35	Освещение (на светодиодах)	46
Специальные функции	35	Как сэкономить электроэнергию	46
Предупредительная функция	36	Рабочие шумы	46
Полезный объем	37	Самостоятельное устранение мелких неисправностей	47
Холодильное отделение	37	Самопроверка прибора	49
Суперохлаждение	39	Сервисная служба	49
Морозильное отделение	39		
Макс. производительность замораживания	39		

kk Мазмұны

Қауіпсіздік техникасы бойынша нұсқаулар және алдын-ала ескертулер	50	Мұздату бөлімшесі	63
Кәдеге жарату бойынша қатысты нұсқамалар	53	Ең жоғары мұздату қабілеті	63
Жеткізіліп берілетін жиынтықтың көлемі	54	Мұздату және сақтау	63
Орнату жері	54	Жаңа әкелінген өнімдерді мұздату	64
Бөлме температурасы мен желдетуді қадағалап отырыңыз	55	Супер мұздату	65
Бұйымның қосылуы	55	Мұздатылған өнімдерді еріту	65
Бұйыммен танысу	56	Жабдықталуы	66
Электрбұйымды қосу	58	“ОК” жапсырмасы	67
Температурасын қою	58	Тоңазытқышты өшіру және істен шығару	67
Арнайы функциялар	59	Бұйымды тазалау	68
Дабыл функциясы	59	Жарық (СИД)	69
Қолдану үшін сыйымдылық көлемі	60	Энергияны үнемдеу	69
Суыту бөлімі	61	Жұмыс шуылы	69
Super-тоңазыту	62	Шағы ақаулылықтарды өз бетінше жою	70
		Тоңазытқыштың өзін-өзі тексеру	72
		Сервистік қызмет көрсету	72

uz Mundarija

Xavfsizlik va ogohlantirish ko'rsatmalari	73	Maks. muzlatish quvvati	84
Utilizasiya qilish bo'yucha ko'rsatmalar	76	Muzlatish va saqlash	84
Komplekt tarkibi	76	Yangi oziq-ovqatlarni muzlatish	85
O'rnatish joyi	77	Supermuzlatish	86
Xona temperaturasi bilan havo aylanishini inobatga olish	77	Muzlatish mahsulotini eritish	86
Qurilmani ulash	78	Jihozlanish	86
Qurilma bilan tanishish	78	“OK” nakleykasi	87
Qurilmani ishga qo`shing	80	Qurilmani o'chirib to'xtatish	87
Temperaturani sozlash	80	Qurilmani tozalash	88
Maxsus funksiyalar	80	Chiroq (LED)	89
Signal funksiyasi	81	Energiyani tejash	89
Foydali hajmi	82	Ish shovqinlari	89
Sovutish kamerasi	82	Kichik nosozliklarni mustaqil ravishda bartaraf qilish	90
Supermuzlatish	83	Qurilma o'zini tekshirishi	92
Muzlatish kamerasi	84	Mijozlarga xizmat ko'rsatish markazi	92

ka სარჩევი

უსაფრთხოებისა და	გაყინვა და დასაწყობება	105
გაფრთხილების მითითებები	გაყინეთ ახალი საკვები	
გადაგდების მითითებები	პროდუქტები	106
მოწოდების მოცულობა	სუპერ - გაყინვა	107
განთავსების ადგილი	დაადნეთ გაყინული პროდუქტი	107
ყურადღება მიაქციეთ ოთახის	აღჭურვილობა	108
ტემპერატურას და ვენტილაციას	დასაწებებელი "OK"	109
დანადგარის შეერთება	გამორთეთ დანადგარი და	
დანადგარის გაცნობა	დაასვენეთ	109
დანადგარის ჩართვა	დანადგარის გაწმენდა	110
ტემპერატურის დაყენება	განათება (LED)	111
განსაკუთრებული ფუნქციები	ენერჯის დაზოგვა	111
შეტყობინების ფუნქცია	საექსპლუატაციო ხმები	111
წმინდა მოცულობა	პატარა ხარვეზების	
მაცივარი	დამოუკიდებლად აღმოფხვრა	112
სუპერ - გაგრილება	დანადგარის თვით - შემოწმება	114
საყინულე	კლიენტთა მომსახურების	
მაქსიმალურ გაყინვის	სამსახური	114
შესაძლებლობა		

Safety and warning information

Before you switch ON the appliance

Please read the operating and installation instructions carefully! They contain important information on how to install, use and maintain the appliance.

The manufacturer is not liable if you fail to comply with the instructions and warnings. Retain all documents for subsequent use or for the next owner.

Technical safety



Fire hazard

The tubes of the refrigeration circuit convey a small quantity of an environmentally friendly but flammable refrigerant (R600a). It does not damage the ozone layer and does not increase the greenhouse effect. If refrigerant escapes, it may injure your eyes or ignite.

If damage has occurred

- Keep naked flames and/or ignition sources away from the appliance,
- thoroughly ventilate the room for several minutes,
- switch off the appliance and pull out the mains plug,
- inform customer service.

The more refrigerant an appliance contains, the larger the room must be in which the appliance is situated. Leaking refrigerant can form a flammable gas-air mixture in rooms which are too small.

The room must be at least 1 m³ per 8 g of refrigerant. The amount of refrigerant in your appliance is indicated on the rating plate inside the appliance.

When installing the appliance, ensure that the mains cable is not trapped or damaged.

If the power cord of this appliance is damaged, it must be replaced by the manufacturer, Customer Service or a similarly qualified person. Improper installations and repairs may put the user at considerable risk.

Repairs may be performed by the manufacturer, customer service or a similarly qualified person only.

Only original parts supplied by the manufacturer may be used. The manufacturer guarantees that only these parts satisfy the safety requirements.

Do not use multiple sockets, extension leads or adapters.



Fire hazard

Portable multiple outlets or power supplies may overheat, causing a fire. Never leave portable multiple outlets or portable power supplies behind the appliance.

Important information when using the appliance

- Never use electrical appliances inside the appliance (e.g. heaters, electric ice makers, etc.). Risk of explosion!
- Never defrost or clean the appliance with a steam cleaner! The steam may penetrate electrical parts and cause a short-circuit. Risk of electric shock!
- Do not use additional means to accelerate the defrosting process other than those recommended by the manufacturer. Risk of explosion!
- Do not use pointed or sharp-edged implements to remove frost or layers of ice. You might damage the refrigerant tubes. Leaking refrigerant may cause eye injuries or ignite.
- Do not store products which contain flammable propellant (e.g. spray cans) or explosive substances in the appliance. Risk of explosion!
- Do not stand on or lean heavily against the base of the appliance, drawers, doors, etc.
- For defrosting and cleaning, pull out the mains plug or switch off the fuse. Do not pull out the mains plug by tugging on the power cord.
- Store high-percentage alcohol tightly sealed and in an upright position.
- Keep plastic parts and the door seal free of oil and grease. Otherwise, plastic parts and the door seal will become porous.
- Never cover or block the ventilation openings of the appliance.
- Do not store bottled or canned liquids (especially carbonated drinks) in the freezer compartment. Bottles and cans may burst!
- Never put frozen food straight from the freezer compartment in your mouth. Risk of low-temperature burns!

- **Avoiding placing children and vulnerable people at risk:**

At risk here are children, people who have limited physical, mental or sensory abilities, as well as people who have inadequate knowledge concerning safe operation of the appliance.

Check that children and vulnerable people have understood the hazards.

A person responsible for safety must supervise or instruct children and vulnerable people who are using the appliance.

Only children aged 8 years and above may use the appliance.

Supervise children while the appliance is being cleaned or maintained.

Never allow children to play with the appliance.

- Avoid prolonged touching of frozen food, ice or the evaporator pipes, etc.
Risk of low-temperature burns!

Children in the household

- Keep children away from packaging and its parts.
Danger of suffocation from folding cartons and plastic film!
- Do not allow children to play with the appliance!
- If the appliance features a lock: keep the key out of the reach of children!

General regulations

The appliance is suitable

- for refrigerating and freezing food,
- for making ice.

This appliance is intended for use in the home and the home environment.

The refrigeration circuit has been checked for leaks.

This appliance complies with the relevant safety regulations for electrical appliances and is fitted with noise suppression.

This appliance is intended for use up to a maximum height of 2000 metres above sea level.

Information concerning disposal

Disposal of packaging

The packaging protects your appliance from damage during transit. All utilised materials are environmentally safe and recyclable. Please help us by disposing of the packaging in an environmentally friendly manner.

Please ask your dealer or inquire at your local authority about current means of disposal.

Disposal of your old appliance

Old appliances are not worthless rubbish! Valuable raw materials can be reclaimed by recycling old appliances.



This appliance is labelled in accordance with European Directive 2012/19/EU concerning used electrical and electronic appliances (waste electrical and electronic equipment - WEEE). The guideline determines the framework for the return and recycling of used appliances as applicable throughout the EU.

Warning

Redundant appliances

1. Pull out the mains plug.
2. Cut off the power cord and discard with the mains plug.
3. Do not take out the trays and receptacles: children are therefore prevented from climbing in!
4. Do not allow children to play with the appliance once it has spent its useful life. Danger of suffocation!

Refrigerators contain refrigerant and gases in the insulation. Refrigerant and gases must be disposed of professionally. Ensure that tubing of the refrigerant circuit is not damaged prior to proper disposal.

Scope of delivery

After unpacking all parts, check for any damage in transit.

If you have any complaints, please contact the dealer from whom you purchased the appliance or our customer service.

The delivery consists of the following parts:

- Free-standing appliance
- Interior fittings (depending on model)
- Bag containing installation materials
- Operating instructions
- Installation manual
- Customer service booklet
- Warranty enclosure
- Information on the energy consumption and noises

Installation location

A dry, well ventilated room is suitable as an installation location. The installation location should not be exposed to direct sunlight and not placed near a heat source, e.g. a cooker, radiator, etc. If installation next to a heat source is unavoidable, use a suitable insulating plate or observe the following minimum distances from the heat source:

- 3 cm to electric or gas cookers.
- 30 cm to an oil or coal-fired cooker.

The floor of the installation location must not give way; if required, reinforce floor. If the floor is uneven, compensate with supports.

Distance from wall

When installing the appliance, ensure that the door can be opened by 90°.

Observe ambient temperature and ventilation

Ambient temperature

The appliance is designed for a specific climate class. Depending on the climate class, the appliance can be operated at the following temperatures.

The climate class can be found on the rating plate. Fig. 14

Climate class	Permitted ambient temperature
SN	+10 °C to 32 °C
N	+16 °C to 32 °C
ST	+16 °C to 38 °C
T	+16 °C to 43 °C

Note:

The appliance is fully functional within the room temperature limits of the indicated climatic class. If an appliance of climatic class SN is operated at colder room temperatures, the appliance will not be damaged up to a temperature of +5 °C.

Ventilation

Fig. 2

The air on the rear panel and on the side panels of the appliance heats up. Conduction of the heated air must not be obstructed. Otherwise, the refrigerating unit must work harder. This increases power consumption. Therefore: Never cover or block the ventilation openings!

Connecting the appliance

After installing the appliance, wait at least 1 hour until the appliance is switched on. During transportation the oil in the compressor may have flowed into the refrigeration system.

Before switching on the appliance for the first time, clean the interior of the appliance (see chapter "Cleaning the appliance").

Electrical connection

The socket must be near the appliance and also freely accessible following installation of the appliance.

Warning

Risk of electric shock!

If the length of the mains cable is inadequate, never use multiple sockets or extension leads. Instead, please contact Customer Service for alternatives.

The appliance complies with protection class I. Connect the appliance to 220–240 V/50 Hz alternating current via a correctly installed socket with protective conductor. The socket must be protected by a 10 A to 16 A fuse.

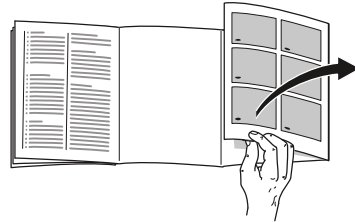
For appliances operated in non-European countries, check whether the indicated voltage and current type match the values of your electricity supply. This information can be found on the rating plate, Fig. 14.

Warning

Never connect the appliance to electronic energy saver plugs.

Our appliances can be used with mains and sine-controlled inverters. Mains-controlled inverters are used for photovoltaic systems which are connected directly to the national grid. Sine-controlled inverters must be used for isolated applications (e.g. on ships or in mountain lodges) which are not connected directly to the national grid.

Getting to know your appliance



Please fold out the illustrated last page. These operating instructions refer to several models.

The features of the models may vary.

The diagrams may differ.

Fig. 1

* Not all models.

- A Refrigerator compartment
- B Freezer compartment
- 1–18 Controls
- 19* Butter and cheese compartment
- 20 Shelf for small bottles
- 21 Shelf for large bottles
- 22 Light (LED)
- 23* Bottle shelf
- 24* Breakfast set
- 25 Cold storage compartment
- 26 Vegetable container with humidity control
- 27* Frozen food container

Controls

Fig. 4

- 1 **Temperature display refrigerator compartment**
The numbers correspond to the set refrigerator compartment temperatures in °C.
- 2 **Display super cooling**
This lights up if super cooling is in operation.
- 3 **Temperature display freezer compartment**
The numbers correspond to the set freezer compartment temperatures in °C.
- 4 **Display super freezing**
This lights up if super freezing is in operation.
- 5 **Display vacation**
This lights up when the vacation mode is switched on.
- 6 **Display fresh**
This lights up when the freshness mode is switched on.
- 7 **Eco mode indicator**
This lights up when the eco mode is switched on.
- 8 **Button mode**
Selecting the special functions.
- 9 **Super button**
Used to switch on the functions super cooling (fridge compartment) and super freezing (freezer compartment).
- 10 **Setting buttons +/-**
The buttons are used to set the temperatures of the refrigerator and freezer compartment.
- 11 **lock button**
Used to switch on the lock function.
- 12 **°C button to select the room and alarm off**
Used to select a room. This is necessary to change its temperature or to switch on certain special functions.
Used to switch off the alarm.
- 13 **Button “lock” function**
If this function is switched on, no settings are possible via the controls.
- 14 **Display alarm off**
This lights up if the appliance becomes too warm.
- 15 **Display alarm**
This lights up if the freezer compartment is too warm or if the freezer compartment door is open too long.
- 16 **Display freeze**
This lights up if the freezer compartment is selected.
- 17 **Alarm display**
This lights up if the refrigerator compartment door is open too long.
- 18 **Display cool**
This lights up if the fridge compartment is selected.

Switching on the appliance

1. First insert the plug into the connection on the back of the appliance. Check that the plug has been inserted all the way.
2. Then insert the other end of the cable into the socket.

The appliance is now switched on and a warning signal sounds.

Press the °C button to switch off the audible warning signal.

The alarm display goes out when the appliance has reached the set temperature.

The preset temperatures are reached after several hours. Do not put any food in the appliance beforehand.

The factory has recommended the following temperatures:

- Freezer compartment: -18 °C
- Refrigerator compartment: +4 °C

Operating tips

- After the appliance has been switched on, it may take several hours until the set temperatures have been reached.
- The fully automatic NoFrost system ensures that the freezer section remains free of ice. Defrosting is no longer required.
- If the door cannot be immediately re-opened after it has been closed, wait until the resulting low pressure has equalised.
- The front and side panels of the housing are partly heated slightly. This prevents condensation from forming.

Setting the temperature

Fig. 4

Refrigerator section

The temperature can be set from +2 °C to +8 °C.

1. Select the refrigerator section using the °C button.
2. Keep pressing the +/- buttons until the required temperature is indicated.

Perishable food should not be stored above +4 °C.

Freezer compartment

The temperature can be set from -16 °C to -24 °C.

1. Select the freezer compartment using the °C button.
2. Keep pressing the +/- buttons until the required temperature is indicated.

Special functions

Fig. 4

Fresh mode

Fresh mode gives food an even longer shelf life.

Switching on:

Press the mode button until the fresh display appears.

The appliance automatically sets the following temperatures:

- Refrigerator section: + 2 °C
- Freezer section: remains unchanged

Switching off:

Press the mode button repeatedly until the fresh display goes off.

Eco mode

Eco mode switches the appliance to energy-saving operation.

Switching on:

Press the mode button until the "eco mode" indicator appears.

The appliance automatically sets the following temperatures:

- Refrigerator section: +8 °C
- Freezer section: -16 °C

Switching off:

Press the mode button until the "eco mode" indicator goes off.

Holiday mode

If leaving the appliance for a long period of time, you can switch the appliance over to the energy-saving holiday mode.

The temperature of the refrigerator compartment is automatically switched to +14 °C.

Do not store any food in the refrigerator compartment during this time.

Switching on:

Press the mode button repeatedly until the vacation display appears.

The appliance automatically sets the following temperatures:

- Refrigerator section: +14 °C
- Freezer compartment: remains unchanged

Switching off:

Press the mode button repeatedly until the vacation display goes off.

Button lock function

To switch the button lock on and off, press the lock button for 5 seconds.

When the function is switched on, the lock display lights up.

The control panel is now protected against unintentional operation.

Exception to the button lock:

The lock button can be pressed to switch off the button lock.

Alarm function

In the following cases an alarm may be actuated.

Door alarm

The door alarm switches on and alarm appears in the refrigerator compartment temperature display 1 or in the freezer compartment temperature display 3 if the door of the compartment is left open too long. Close the door of the compartment to switch off the door alarm.

Temperature alarm

An interval tone sounds, alarm appears on the temperature display of the freezer compartment 3.

The temperature alarm switches on if the freezer compartment is too warm and the frozen food is at risk of thawing.

The alarm may switch on without any risk to the frozen food in the following instances:

- when switching on the appliance for initial use.
- when large quantities of fresh food are placed in the appliance.

Note:

Do not refreeze thawing or thawed food. Only ready meals (boiled or fried) may be refrozen.

No longer store the frozen produce for the max. storage period.

The temperature display indicates for 5 seconds the warmest temperature which was reached in the freezer compartment.

Then the set temperature is displayed again.

Switching off the alarm

Press the °C button to switch off the audible warning signal.

Usable capacity

Information on the usable capacity can be found inside your appliance on the rating plate. Fig. 14

Fully utilising the freezer volume

To place the maximum amount of frozen food in the freezer compartment, you can remove the containers. You can then stack the food directly on the shelf and on the floor of the freezer compartment.

Note:

Avoid contact between food and rear panel. Otherwise the air circulation will be impaired.

Food or packaging could freeze to the rear panel.

Removing the fittings

Pull out the frozen food container all the way, lift at the front and remove. Fig. 10

Refrigerator compartment

The refrigerator compartment is the ideal storage location for meat, sausage, fish, dairy products, eggs, ready meals and pastries.

Storing food

- Store fresh, undamaged food. The quality and freshness will then be retained for longer.
- In the case of ready-made products and bottled goods, observe the best-before date or use-by date specified by the manufacturer.
- To retain aroma, colour and freshness, pack or cover food well before placing in the appliance. This will prevent the transfer of flavours and the discolouration of plastic parts in the refrigerator compartment.
- Allow warm food and drinks to cool down before placing in the appliance.

Note:

Do not block air outlet openings with food, otherwise the air circulation will be impaired. Food which is stored directly in front of the air outlet openings may be frozen by the cold air flowing out.

Note the chill zones in the refrigerator compartment

The air circulation in the refrigerator compartment creates different chill zones:

- The coldest zones are in front of the air outlet openings and in the chill compartment, Fig. 1/25.

Note:

Store perishable food (e.g. fish, sausage, meat) in the coldest zones.

- Warmest zone is at the very top of the door.

Note:

Store e.g. hard cheese and butter in the warmest zone. The aroma of hard cheese can then continue to develop and butter remains spreadable.

Vegetable container with humidity control

Fig. 8

To create the optimum storage climate for fruit and vegetables, you can set the humidity level in the vegetable container:

- Mainly vegetables as well as for a mixed or small load – high air humidity
- Mainly fruit as well as for a large load – low air humidity

Notes

- Fruit sensitive to cold (e.g. pineapple, banana, papaya and citrus fruit) and vegetables sensitive to cold (e.g. aubergines, cucumbers, zucchini, peppers, tomatoes and potatoes) should be stored outside the refrigerator at temperatures of approx. +8 °C to +12 °C for optimum preservation of quality and flavour.
- Condensation may form in the vegetable container depending on the type and quantity of products stored. Remove condensation with a dry cloth and adjust air humidity in the vegetable container with the humidity controller.

Cold storage compartment

Fig. 9

The cold storage compartment has lower temperatures than the refrigerator compartment. Even temperatures below 0 °C may occur.

Ideal for storing fish, meat and sausage. Not suitable for lettuce and vegetables and produce sensitive to cold.

The temperature of the chill compartments can be varied using the ventilation opening. Push temperature controller upwards to reduce the temperature. Push temperature controller downwards to increase the temperature. Fig. 7

Super cooling

Super cooling sets the refrigerator temperature to the coldest temperature setting for approx. 6 hours. Then the appliance automatically switches to the temperature set prior to super cooling mode.

Switch on super cooling mode, e.g.

- before placing large quantities of food in the refrigerator compartment.
- for the fast cooling of drinks.

Switching on and off

Fig. 4

1. Select the refrigerator section using the °C button.
2. Press super button.

The super cooling indicator lights up.

You do not need to switch off super cooling. After 6 hours the previously set temperature will be automatically restored.

Note:

When super cooling is switched on, increased operating noises may occur.

Freezer compartment

Use the freezer compartment

- To store deep-frozen food.
- To make ice cubes.
- To freeze food.

Note:

Ensure that the freezer compartment door has been closed properly. If the door is open, the frozen food will thaw. The freezer compartment will become covered in thick ice. Also: waste of energy due to high power consumption!

Max. freezing capacity

Information about the max. freezing capacity within 24 hours can be found on the rating plate. Fig. 14

Prerequisites for max. freezing capacity

- Switch on super freezing before placing fresh products in the compartment (see chapter entitled “Super freezing”).
- Remove containers; stack food directly on the shelf and on the floor of the freezer compartment.
- Freeze large quantities of food preferably in the very top compartment where food freezes particularly quickly and therefore also gently.

Freezing and storing food

Purchasing frozen food

- Packaging must not be damaged.
- Use by the “use by” date.
- Temperature in the supermarket freezer must be -18 °C or lower.
- If possible, transport deep-frozen food in an insulated bag and place quickly in the freezer compartment.

Note when loading products

- Preferably freeze large quantities of food in the top compartment, where food freezes particularly quickly and therefore also gently.
- Place the food over the whole area of the compartments or the frozen food containers.

Note:

Food which is already frozen must not come into contact with the food which is to be frozen. If required, move the frozen food to other frozen food containers.

Storing frozen food

Insert frozen food container all the way to ensure unrestricted air circulation.

Freezing fresh food

Freeze fresh and undamaged food only. To retain the best possible nutritional value, flavour and colour, vegetables should be blanched before freezing. Aubergines, peppers, zucchini and asparagus do not require blanching. Literature on freezing and blanching can be found in bookshops.

Note:

Keep food which is to be frozen away from food which is already frozen.

- The following foods are suitable for freezing:
Cakes and pastries, fish and seafood, meat, game, poultry, vegetables, fruit, herbs, eggs without shells, dairy products such as cheese, butter and quark, ready meals and leftovers such as soups, stews, cooked meat and fish, potato dishes, soufflés and desserts.
- The following foods are not suitable for freezing:
Types of vegetables, which are usually consumed raw, such as lettuce or radishes, eggs in shells, grapes, whole apples, pears and peaches, hard-boiled eggs, yoghurt, soured milk, sour cream, crème fraîche and mayonnaise.

Packing frozen food

To prevent food from losing its flavour or drying out, place in airtight containers.

1. Place food in packaging.
2. Remove air.
3. Seal the wrapping.
4. Label packaging with contents and date of freezing.

Suitable packaging:

Cling wrap, tubular film made of polyethylene, aluminium foil, freezer containers.

These products are available from specialist outlets.

Unsuitable packaging:

Wrapping paper, greaseproof paper, cellophane, bin liners and used shopping bags.

Items suitable for sealing packaged food:

Rubber bands, plastic clips, string, cold-resistant adhesive tape, etc.

Bags and tubular film made of polyethylene (PE) can be sealed with a film heat sealer.

Shelf life of frozen food

Storage duration depends on the type of food.

At a temperature of -18 °C:

- Fish, sausage, ready meals and cakes and pastries:
up to 6 months
- Cheese, poultry and meat:
up to 8 months
- Vegetables and fruit:
up to 12 months

Super freezing

Food should be frozen solid as quickly as possible in order to retain vitamins, nutritional value, appearance and flavour. Several hours before placing fresh food in the freezer compartment, switch on super freezing to prevent an unwanted temperature rise.

As a rule, 4–6 hours is adequate.

This appliance runs constantly and the freezer compartment drops to a very low temperature.

If the max. freezing capacity is to be used, super freezing must be switched on for 24 hours before the fresh produce is placed in the freezer compartment.

Smaller quantities of food (up to 2 kg) can be frozen without "super freezing".

Note:

When super freezing is switched on, increased operating noises may occur.

Switching on and off

Fig. 4

1. Select the freezer section using the °C button.
2. Press super button.

The super freezing indicator lights up.

You do not need to switch off super freezing. After approx. 2½ days the previously set temperature will be automatically restored.

Thawing frozen food

Depending on the type and application, select one of the following options:

- at room temperature
- in the refrigerator
- in an electric oven, with/without fan assisted hot-air
- in the microwave



Caution!

Do not refreeze thawing or thawed food. Only ready meals (boiled or fried) may be refrozen.

No longer store the frozen produce for the max. storage period.

Interior fittings

Shelves and containers

You can reposition the inner shelves and the containers in the door as required: pull shelf forwards, lower and swivel out to the side. Lift the container and remove.

Special features

(not all models)

Butter and cheese compartment

To open the butter compartment, gently press in the middle of the butter compartment flap.

To clean the compartment, lift it at the bottom and take out.

Breakfast set

Fig. **5**

The containers for the breakfast set can be taken out and filled individually.

You can take out the breakfast set for loading and unloading. To do this, lift the breakfast set and pull out. The container holder can be moved.

Bottle shelf

Fig. **6**

Bottles can be stored securely on the bottle shelf.

Ice cube tray

Fig. **13**

1. Fill the ice cube tray $\frac{3}{4}$ full of drinking water and place in the freezer compartment.
2. If the ice tray is stuck to the freezer compartment, loosen with a blunt implement only (spoon-handle).
3. To loosen the ice cubes, twist the ice tray slightly or hold briefly under flowing water.

Freezer calendar

Fig. 12

To prevent the quality of the frozen food from deteriorating, do not exceed the storage duration. The figures next to the symbols indicate the permitted storage period of the produce in months. In the case of commercially available frozen food observe the date of manufacture or use-by date.

Ice block

If a power failure or malfunction occurs, the ice blocks can be used to slow down the thawing process. The longest storage time is obtained by placing the ice pack on the food in the top compartment.

The ice blocks can also be used to cool food temporarily , e. g. in a cold bag.

Sticker “OK”

(not all models)

The sticker “OK” lets you check whether the refrigerator compartment achieves the safe temperature ranges of +4 °C or colder recommended for food. If the sticker does not indicate “OK”, gradually reduce the temperature.

Note:

When the appliance is switched on, it may take up to 12 hours until the set temperature is reached.



Correct setting

Switching off and disconnecting the appliance

Switching off the appliance

Press "+" button for 10 seconds. Refrigeration unit switches off.

Disconnecting the appliance

If you do not use the appliance for a prolonged period:

1. Pull out the mains plug or switch off the fuse.
2. Clean the appliance.
3. Leave appliance doors open.

Note:

To avoid damage to the appliance, appliance doors must be opened far enough that they remain in that position on their own. Do not jam any objects into the door to prop it open.

Cleaning the appliance

Caution!

- Do not use abrasive, chloride or acidic cleaning agents or solvents.
- Do not use scouring or abrasive sponges.
The metallic surfaces could corrode.
- Never clean shelves and containers in the dishwasher.
The parts may become deformed!

The cleaning water must not get into the following areas:

- Controls
- Illumination
- Ventilation openings
- Openings in the separating plate

Proceed as follows:

1. Pull out the mains plug or switch off the fuse.
2. Take out the frozen food and store in a cool location. Place ice pack (if available) on the food.
3. The rinsing water must not drip into the controls, lighting, ventilation openings or the openings in the partition!
Clean the appliance with a soft cloth, lukewarm water and a little pH-neutral washing-up liquid.
4. Wipe the door seal with clear water only and then wipe dry thoroughly.
5. After cleaning reconnect the appliance.
6. Put the frozen food back into the appliance.

Interior fittings

All variable parts of the appliance can be taken out for cleaning.

Take out shelves in the door

Fig. **3**

Lift shelves upwards and take out.

Take out glass shelves

Pull the glass shelves forwards and take out.

Removing the container

Fig. **9**

Pull out the container all the way, lift at the front and remove.

Taking out the frozen food container

Fig. **10**

Pull out the frozen food container all the way, lift at the front and remove.

Taking out glass shelf above vegetable container

Fig. **11**

The glass shelf can be taken out and disassembled for cleaning.

Note:

Before taking out the glass shelf, pull out vegetable container.

Light (LED)

Your appliance features a maintenance-free LED light.

These lights may be repaired by customer service or authorised technicians only.

Tips for saving energy

- Install the appliance in a dry, well ventilated room! The appliance should not be installed in direct sunlight or near a heat source (e.g. radiator, cooker).
If required, use an insulating plate.
- Allow warm food and drinks to cool down before placing in the appliance.
- Thaw frozen food in the refrigerator compartment and use the low temperature of the frozen food to cool refrigerated food.
- Open the appliance as briefly as possible.
- To achieve the lowest energy consumption, leave a small wall gap at the side.
- The arrangement of the fittings does not affect the energy rating of the appliance.

Operating noises

Quite normal noises

Note:

When super freezing is switched on, increased operating noises may occur.

Droning

Motors are running (e.g. refrigerating units, fan).

Bubbling, humming or gurgling noises

Refrigerant is flowing through the tubing.

Clicking

Motor, switches or solenoid valves are switching on/off.

Cracking

Automatic defrosting is running.

Preventing noises

The appliance is not level

Please align the appliance with a spirit level. Use the height-adjustable feet or place packing underneath them.

The appliance is not free-standing

Please move the appliance away from adjacent units or appliances.

Containers or storage areas wobble or stick

Please check the removable parts and re-insert them correctly if required.

Bottles or receptacles are touching each other

Move the bottles or receptacles slightly away from each other.

Eliminating minor faults yourself

Before you call customer service:

Please check whether you can eliminate the fault yourself based on the following information.

Customer service will charge you for advice – even if the appliance is still under guarantee!

Fault	Possible cause	Remedial action
Temperature differs greatly from the set value.		In some cases it is adequate to switch off the appliance for 5 minutes. If the temperature is too high wait a few hours and check whether the temperature has approached the set value. If the temperature is too low check the temperature again the next day.
It is too cold in the refrigerator section or in the chill compartment.		Increase the temperature in the refrigerator section. Push temperature controller for the chill compartment downwards. Fig. 7
The temperature in the freezer compartment is too warm.	Appliance opened frequently.	Do not open the appliance unnecessarily.
	The ventilation openings have been covered.	Remove obstacles.
	Large quantities of fresh food are being frozen.	Do not exceed max. freezing capacity.
Appliance is not cooling, temperature display and light are lit.	Showroom mode is switched on.	Press and hold °C button and + setting button for 5 seconds until an acknowledgement signal sounds. Another acknowledgement signal sounds when the buttons are released. After a short time check whether your appliance is cooling.
The side panels of the appliance are warm.	Pipes run into the side panels which heat during the cooling process.	That is normal behaviour for the appliance and not a fault. Furniture touching the appliance will not be damaged by the heat.

Fault	Possible cause	Remedial action
The light does not function.	The LED light is defective.	See chapter “Light (LED)” section.
	Appliance was open too long. Light is switched off after approx. 10 min.	When the appliance is closed and opened, the light is on again.
Displays do not illuminate.	Power failure; the fuse has been switched off; the mains plug has not been inserted properly.	Connect mains plug. Check whether the power is on, check the fuses.
Freezer compartment door was open for a long time; temperature is no longer reached.	The evaporator (refrigeration generator) in the NoFrost system is covered in thick ice and can no longer be defrosted fully automatically.	To defrost the evaporator, remove the frozen food with the compartments, insulate well and store in a cool location. Switch off the appliance and move it away from the wall. Leave the appliance door open. After approx. 20 min. the condensation begins to run into the evaporation pan, at the rear of the appliance. To prevent the evaporation pan from overflowing in this case, mop up the condensation with a sponge. The evaporator is defrosted when the water stops running into the evaporation pan. Clean the interior. Switch the appliance back on again.
Condensation accumulates on the surface of the appliance and on the shelves inside.	The effect is reinforced if ambient temperatures are warm and humid.	Wipe away the water with a soft, dry cloth. <ul style="list-style-type: none"> ■ Open the appliance as briefly as possible ■ Make sure that the appliance is always closed properly.

Appliance self-test

Your appliance features an automatic self-test program which shows you sources of faults which may be repaired by customer service only.

Starting the appliance self-test

1. Switch off the appliance and wait 5 minutes.
2. Switch on the appliance and within the first 10 seconds, press and hold the °C button and the "-" setting button for 3–5 seconds until an audible signal sounds.

The self-test programme starts.

When the self-test ends and an audible signal sounds twice, your appliance is in working order.

If 5 audible signals sound, there is an error. Inform customer service.

Ending the appliance self-test

When the programme has ended, the appliance switches over to normal operation.

Customer service

Your local customer service can be found in the telephone directory or in the customer-service index. Please provide customer service with the appliance product number (E-Nr.) and production number (FD-Nr.).

This information can be found on the rating plate. Fig. 14

To prevent unnecessary call-outs, please assist customer service by quoting the product and production numbers. This will save you additional costs.

Repair order and advice on faults

Contact information for all countries can be found on the enclosed customer service list.

GB	0344 892 8999	Calls charged at local or mobile rate.
IE	01450 2655	0.03 € per minute at peak. Off peak 0.0088 € per minute.
US	866 447 4363	toll-free

Указания по безопасности и предупреждения

Прежде чем ввести прибор в эксплуатацию

Внимательно прочтите инструкцию по монтажу и эксплуатации! В ней содержится важная информация по установке, использованию и техническому обслуживанию прибора.

Изготовитель не несет никакой ответственности за последствия, если Вы не соблюдали указания и предупреждения, приведенные в инструкции по эксплуатации. Сохраните всю документацию для позднейшего использования или для передачи ее следующему владельцу прибора.

Техническая безопасность



Опасность возгорания в трубах контура циркуляции хладагента имеется в небольшом количестве экологически безвредный, но горючий хладагент (R600a). Он не разрушает озоновый слой и не способствует развитию парникового эффекта. При вытекании хладагент может привести к травмам глаз или воспламенению.

При повреждениях:

- Не подходите близко к бытовому прибору с открытым пламенем или какими-либо иными источниками воспламенения,
- хорошо проветрите помещение в течение нескольких минут,
- выключите холодильник и извлеките вилку из розетки,
- сообщите о повреждениях в сервисную службу.

Чем большее количество хладагента содержится в бытовом приборе, тем больше должно быть помещение, в котором он установлен. В слишком маленьких помещениях при утечке хладагента может образоваться горючая смесь паров хладагента с воздухом. На каждые 8 г хладагента должен приходиться как минимум 1 м³ помещения. Количество хладагента, содержащееся в Вашем бытовом приборе, приведено в фирменной табличке, расположенной внутри бытового прибора. При установке прибора не допускать зажатия или повреждения сетевого шнура. В случае повреждения сетевой шнур данного прибора заменяется изготовителем, сервисной службой или специалистом с соответствующей квалификацией. В связи с ненадлежащим образом выполненной установкой и ремонтом может возникнуть серьезная опасность для пользователя. Ремонт производится только изготовителем, сервисной службой или специалистом с соответствующей квалификацией.

Разрешается использовать только оригинальные запчасти изготовителя. Только в отношении этих деталей изготовитель гарантирует, что они отвечают требованиям техники безопасности.

Не используйте многоконтактные розетки, удлинительные кабели или адаптеры.



Опасность возгорания. Переносные многоконтактные розетки или переносные сетевые узлы могут перегреться и стать причиной возгорания. Не устанавливать переносные многоконтактные розетки или переносные сетевые узлы за прибором.

При эксплуатации

- Ни в коем случае не используйте электрические приборы внутри данного прибора (например, нагревательные приборы, электрические мороженицы и проч.). Взрывоопасность!
- Ни в коем случае не размораживайте и не чистите прибор с помощью пароочистителя! Пар может проникнуть в электрические детали и вызвать короткое замыкание. Опасность поражения электрическим током!

- Если это не указано производителем, не предпринимайте дополнительные меры, чтобы ускорить оттаивание. Взрывоопасность!
- Не используйте предметы с острым концом или острыми краями для удаления слоев инея или льда. Тем самым вы можете повредить трубки, по которым циркулирует хладагент. Брызги хладагента могут воспламениться или привести к поражению глаз.
- Не храните продукты с горючими газами-вытеснителями (например, аэрозольные баллончики), а также взрывоопасные вещества. Взрывоопасность!
- Не используйте цокольную подставку, выдвижные полки, дверцы и проч. в качестве подножки или опоры.
- Для размораживания и чистки извлеките вилку из розетки или отключите предохранитель. При извлечении вилки из розетки следует тянуть за вилку, а не за сетевой шнур.
- Ни в коем случае не закрывайте и не загромождайте вентиляционные отверстия прибора.
- **Предупреждение рисков для детей и подверженных опасности лиц**

К подверженным опасности лицам относятся дети, лица с физическими и психическими ограничениями или с ограниченным восприятием, а также лица, не обладающие достаточными знаниями для надежной эксплуатации прибора.

Убедитесь в том, что дети и подверженные опасности лица осознали грозящие опасности.

При использовании прибора дети и подверженные опасности лица должны находиться под присмотром или руководством лица, отвечающего за их безопасность.

Пользоваться прибором разрешается только детям старше 8 лет.

Во время чистки и технического обслуживания дети должны находиться под присмотром.

Ни в коем случае не позволять детям играть с прибором.
- Крепкие алкогольные напитки храните только плотно закрытыми и в вертикальном положении.

- Не допускайте попадания масла или жира на пластиковые детали и уплотнитель дверцы. Иначе пластиковые детали и уплотнитель дверцы станут пористыми.
- В морозильном отделении нельзя хранить жидкости в бутылках или жестяных банках (особенно газированные напитки). Бутылки и банки могут лопнуть!
- Замороженные продукты никогда не берите в рот сразу после извлечения из морозильного отделения. Опасность холодового ожога!
- Избегайте продолжительного контакта рук с замороженными продуктами, льдом или трубками испарителя и проч. Опасность холодового ожога!

Если в доме есть дети

- Упаковку и ее составные части нельзя отдавать детям. Существует опасность удушья, которой дети подвергаются, закрывшись в картонной коробке или запутавшись в полиэтиленовой пленке!
- Холодильник – это не игрушка для детей!

- В случае с холодильниками, дверь которых закрывается на замок: храните ключ от замка в недоступном для детей месте!

Общая информация

Бытовой прибор предназначен

- для охлаждения и замораживания продуктов питания,
- для приготовления пищевого льда.

Этот прибор предназначен для использования в частном домашнем хозяйстве и в бытовых условиях.

Контур циркуляции хладагента проверен на герметичность.

Данный прибор соответствует действующим нормам технической безопасности и отвечает предписаниям по защите от радиопомех.

Данный прибор предназначен для использования на высоте не более 2000 м над уровнем моря.

Указания по утилизации

Утилизация упаковки

Весь упаковочный материал, который использовался для защиты холодильника при транспортировке, пригоден для вторичной переработки и не наносит вреда окружающей среде. Внесите, пожалуйста, и Вы свой вклад в дело защиты окружающей среды, сдав упаковку на экологичную утилизацию.

Информацию об актуальных методах утилизации Вы можете получить у Вашего торгового агента или в административных органах по месту Вашего жительства.

Утилизация старого холодильника

Отслужившие свой срок старые бытовые холодильники нельзя рассматривать как бесполезные отходы! Благодаря экологичной утилизации из них удастся получить ценное сырье.



Данный прибор имеет отметку о соответствии европейским нормам 2012/19/EU утилизации электрических и электронных приборов (waste electrical and electronic equipment - WEEE).

Данные нормы определяют действующие на территории Евросоюза правила возврата и утилизации старых приборов.

Предупреждение

В случае с отслужившими свой срок холодильниками:

1. Извлеките вилку из розетки.
2. Отрежьте сетевой шнур и уберите его подальше вместе с вилкой.
3. Полки, боксы и контейнеры извлекать не следует, чтобы дети не смогли забраться внутрь холодильника!
4. Не позволяйте детям играть со старым бытовым прибором. Опасность удушья!

В холодильной установке содержится хладагент, а в изоляции бытового прибора – газы, утилизация которых должна проводиться квалифицированно. Трубки контура, по которому циркулировал хладагент, ни в коем случае не должны быть повреждены до начала утилизации.

Объем поставки

Убедитесь в отсутствии возможных повреждений элементов при транспортировке, освободив все элементы от упаковки.

С рекламациями обращайтесь в магазин, в котором Вы приобрели прибор, или в нашу сервисную службу. В комплект поставки входят следующие элементы:

- Напольный прибор
- Оснащение (в зависимости от модели)
- Мешок с монтажными материалами
- Инструкция по эксплуатации
- Инструкция по монтажу
- Книжка сервисной службы
- Гарантия в приложении
- Информация о расходе электроэнергии и шумах

Место установки

Лучше всего устанавливать бытовой прибор в сухом, хорошо проветриваемом помещении. На прибор не должны попадать прямые солнечные лучи, и он не должен располагаться в непосредственной близости от таких источников тепла, как плита, радиатор отопления и пр. Если этого не удастся избежать, то необходимо воспользоваться подходящей плитой из изолирующего материала или расположить прибор таким образом, чтобы выдерживались следующие расстояния до источника тепла:

- До электрической и газовой плит: 3 см.
- До плиты, отапливаемой жидким топливом или углем: 30 см.

Пол на месте установки прибора не должен прогибаться, при необходимости его следует упрочнить. Возможные неровности пола следует компенсировать с помощью подложек.

Расстояние от стены

Установите прибор так, чтобы двери открывались под углом 90°.

Температура окружающей среды и вентиляция

Температура окружающей среды

Холодильник относится к определенному климатическому классу. В зависимости от климатического класса, холодильник может работать при приведенных ниже значениях температуры окружающей среды.

Климатический класс прибора указан в его типовой табличке (рисунок 14).

Климатический класс	Допустимая температура окружающей среды
SN	от +10 °C до +32 °C
N	от +16 °C до +32 °C
ST	от +16 °C до +38 °C
T	от +16 °C до +43 °C

Указание:

Полная функциональность прибора обеспечена в пределах температуры окружающей среды указанного климатического класса. Если прибор климатического класса SN работает при более низкой температуре окружающей среды, то повреждения прибора можно исключить до температуры +5 °C.

Вентиляция

Рисунок 2

Воздух у задней стенки прибора и у его боковых стенок нагревается. Нагретый воздух должен иметь возможность беспрепятственно подниматься вверх. Иначе холодильный агрегат должен будет работать с повышенной нагрузкой. А это повышает расход электроэнергии. Поэтому: Никогда не закрывайте и ничем не загораживайте вентиляционные отверстия холодильника!

Подключение бытового прибора

После установки бытового прибора следует подождать как минимум 1 час и только потом вводить его в эксплуатацию. Так как не исключено, что во время транспортировки бытового прибора содержащееся в компрессоре масло могло попасть в систему охлаждения.

Перед вводом бытового прибора в эксплуатацию в первый раз следует почистить его изнутри (смотрите раздел «Чистка бытового прибора»).

Подключение к электросети

Розетка должна находиться вблизи прибора и в свободно доступном месте также после установки прибора.

Предупреждение

Опасность поражения электрическим током!

Если длина сетевого шнура недостаточна, ни в коем случае не используйте многоконтактные розетки или удлинительные кабели. Обратитесь в сервисную службу, где вам предложат альтернативные варианты.

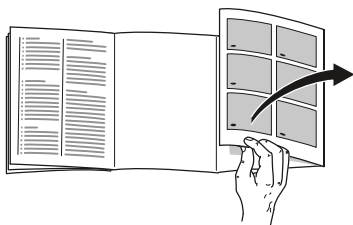
Прибор соответствует классу защиты I. Прибор подключайте к сети переменного тока 220–240 В/50 Гц с помощью установленной надлежащим образом розетки с защитным заземлением. Сетевая розетка должна быть оснащена предохранителем на 10–16 А.

Применительно к бытовым приборам, которые будут эксплуатироваться в неевропейских странах, необходимо проверить, чтобы значение напряжения и вид тока совпадали с параметрами электросети пользователя. Эти данные приведены на типовой табличке холодильника, рисунок 14.

Предупреждение

Прибор нельзя ни в коем случае подключать к электронным энергосберегающим штекерам. Для использования наших бытовых приборов можно применять ведомые сетью и синусные инверторы. Ведомые сетью инверторы применяются в фотогальванических энергетических установках, которые подсоединяются непосредственно к общественной сети энергоснабжения. В изолированных условиях (напр., на кораблях или в горных приютах) без непосредственного подсоединения к общественной электросети необходимо применение синусных инверторов.

Знакомство с бытовым прибором



Откройте, пожалуйста, последние страницы с рисунками. Данная инструкция по эксплуатации действительна для нескольких моделей. Комплектация моделей может отличаться друг от друга. Поэтому в рисунках не исключены некоторые отличия.
Рисунок 1

* Не во всех моделях.

A Холодильное отделение

B Морозильное отделение

- 1–18 Элементы управления
- 19* Отделение для масла и сыра
- 20 Полка для маленьких бутылок
- 21 Полка для больших бутылок
- 22 Освещение (на светодиодах)
- 23* Полка для бутылок
- 24* в комплект для завтрака
- 25 Отделение с пониженной температурой
- 26 Контейнер для овощей и фруктов с регулятором влажности
- 27* Бокс для замороженных продуктов

Элементы управления

Рисунок 4

- 1 **Индикатор температуры в холодильном отделении**
Цифры соответствуют значениям установленной для холодильного отделения температуры в °С.
- 2 **Индикация super cooling**
Выделяется в режиме суперохлаждения.
- 3 **Индикация температуры в морозильном отделении**
Цифры соответствуют значениям установленной для морозильного отделения температуры в °С.
- 4 **Индикация super freezing**
Выделяется в режиме суперзамораживания.
- 5 **Индикация vacation**
Выделяется, если включен режим «Отпуск».
- 6 **Индикация fresh**
Выделяется, если включен режим свежести.
- 7 **Индикация экономного режима**
Выделяется, если включен экономный режим.
- 8 **Кнопка mode**
Для выбора специальных функций.
- 9 **Кнопка «super»**
Служит для включения функций super cooling (холодильное отделение) и super freezing (морозильное отделение).
- 10 **Кнопки установки +/-**
Кнопки служат для установки температуры в холодильном и морозильном отделении.
- 11 **Кнопка lock**
Служит для включения функции lock.

- 12 **Кнопка °C для выбора отделения и alarm off**
Служит для выбора отделения. Это необходимо, чтобы изменить его температуру или включить определенные специальные функции.
Служит для выключения предупредительного сигнала.
- 13 **Функция блокировки кнопок Lock**
В случае включения этой функции Вы не сможете произвести установки с помощью элементов управления.
- 14 **Индикация alarm off**
Выделяется, если в приборе слишком тепло.
- 15 **Индикация alarm**
Выделяется, если в морозильном отделении слишком тепло или если дверца морозильного отделения оставалась слишком долго открытой.
- 16 **Индикация freeze**
Выделяется, если выбрано морозильное отделение.
- 17 **Сигнальный индикатор**
Горит, если дверца холодильного отделения оставалась слишком долго открытой.
- 18 **Индикация cool**
Выделяется, если выбрано холодильное отделение.

Включение прибора

1. Вставьте сначала штекер в гнездо на задней стенке прибора. Проверьте, вставлен ли штекер до отказа.
2. Подсоедините затем другой конец кабеля к розетке.

Прибор теперь включен, и звучит предупредительный сигнал. Нажмите на кнопку °C, чтобы отключить предупредительный сигнал. Индикация alarm гаснет, как только прибор достигнет заданной температуры.

Заданные температуры будут достигнуты через несколько часов. Раньше этого срока загружать продукты в бытовой прибор нельзя. Специалистами завода-изготовителя рекомендуются следующие установочные значения температуры:

- Морозильное отделение: -18 °C
- Холодильное отделение: +4 °C

Указания по эксплуатации

- После включения прибору может потребоваться несколько часов для достижения установленного уровня температуры.
- Благодаря полностью автоматической системе «No Frost» внутри морозильного отделения лед не образуется. В размораживании больше нет необходимости.
- Если после закрывания дверцу не удастся сразу снова открыть, то нужно подождать некоторое время, пока компенсируется создавшееся внутри отделения пониженное давление.
- Передняя сторона и боковые стенки корпуса частично слегка подогреваются. Это предотвращает образование конденсата.

Установка температуры

Рисунок 4

Холодильное отделение

Температура регулируется в диапазоне от +2 °C до +8 °C.

1. Выберите холодильное отделение кнопкой °C.
2. Нажимайте на кнопки +/- до тех пор, пока на дисплее не появится нужная температура.

Скоропортящиеся продукты не должны храниться при температуре выше +4 °C.

Морозильное отделение

Температура регулируется в диапазоне от -16 °C до -24 °C.

1. Выберите морозильное отделение кнопкой °C.
2. Нажимайте на кнопки +/- до тех пор, пока на дисплее не появится нужная температура.

Специальные функции

Рисунок 4

Режим свежести

Благодаря режиму свежести еще дольше сохраняется свежесть продуктов.

Включение:

Нажимайте кнопку mode до появления индикации fresh.

Прибор устанавливает автоматически следующую температуру:

- холодильное отделение: + 2 °C
- морозильное отделение: остается без изменений

Выключение:

Нажимайте кнопку mode, пока не погаснет индикация fresh.

Экономный режим

В экономном режиме прибор переходит на режим работы с экономией электроэнергии.

Включение:

Нажимайте кнопку mode, пока не появится индикация «экономный режим».

Прибор устанавливает автоматически следующую температуру:

- холодильное отделение: +8 °C
- морозильное отделение: -16 °C

Выключение:

Нажимайте кнопку mode, пока не погаснет индикация «экономный режим».

Отпускной режим эксплуатации

На период длительного отсутствия Вы можете перевести холодильник в отпускной режим – режим экономии электроэнергии.

Температура в холодильном отделении автоматически переводится на значение +14 °С.

В это время в холодильном отделении не следует хранить продукты питания.

Включение:

Нажимайте кнопку mode до появления индикации vacation.

Прибор устанавливает автоматически следующую температуру:

- холодильное отделение: +14 °С
- Морозильное отделение: остается без изменений

Выключение:

Нажимайте кнопку mode, пока не погаснет индикация vacation.

Функция блокировки кнопок Lock

Для включения и выключения блокировки кнопок держите нажатой кнопку lock 5 секунд.

При включенной функции светится индикация lock.

При этом панель управления предохранена от нежелательных операций управления.

Снятие блокировки кнопок:

Для выключения блокировки кнопок и при звуковом предупредительном сигнале можно нажать на кнопку lock.

Предупредительная функция

Предупредительная сигнализация может включиться в следующих случаях.

Предупредительный сигнал при открытой дверце

Если соответствующая дверца остается слишком долго открытой, включается предупредительный сигнал при открытой дверце и на индикаторе температуры холодильного отделения 1 или на индикаторе температуры морозильного отделения 3 появляется alarm. После закрывания соответствующей дверцы предупредительный сигнал выключается.

Сигнализация предупреждения о повышении температуры

Раздается периодический звуковой сигнал, на индикаторе температуры морозильного отделения 3 появляется alarm.

Предупредительный сигнал при повышении температуры включается, если в морозильном отделении становится слишком тепло и замороженные продукты могут разморозиться.

Предупредительная сигнализация может включиться, даже если замороженным продуктам не угрожает размораживание, в следующих случаях:

- При вводе прибора в эксплуатацию.
- При загрузке большого количества свежих продуктов питания.

Указание:

Подтаявшие или полностью размороженные продукты нельзя снова замораживать. Только после тепловой обработки продуктов (их можно сварить или поджарить) готовые блюда можно снова заморозить.

Но готовые блюда нельзя хранить так долго, как свежие продукты.

В течение 5 секунд дисплей показывает самую высокую температуру, которая господствовала в морозильном отделении. После чего на дисплей снова выводится заданная температура.

Отключение предупредительного сигнала

Нажмите кнопку °C, чтобы отключить предупредительный сигнал.

Полезный объем

Данные, касающиеся полезного объема, Вы сможете найти, внутри своего бытового прибора на типовой табличке. Рисунок 14

Использование всего объема морозильного отделения

Для того, чтобы разместить максимальное количество продуктов, контейнеры замороженных продуктов, контейнеры можно извлекать. Продукты можно затем складывать прямо на полке и на дне морозильного отделения.

Указание:

Избегайте касания продуктами питания задней стенки. Это нарушит циркуляцию воздуха.

Продукты питания или упаковки могут примерзнуть к задней стенке.

Извлечение элементов оснащения

Вытяните бокс для замороженных продуктов до упора, приподнимите спереди и извлеките. Рисунок 10

Холодильное отделение

Холодильное отделение обеспечивает идеальные условия для хранения мяса, колбасы, рыбы, молочных продуктов, яиц, готовых блюд и выпечки.

При размещении продуктов учитывать следующее

- Загружайте свежие, неповрежденные продукты. Таким образом дольше сохраняются качество и свежесть продуктов.
- Следить за указанными изготовителями сроками годности или сроками хранения готовых продуктов и развесных товаров.
- Для сохранения аромата, цвета и свежести загружать продукты в плотной упаковке или в закрытой посуде. Таким образом можно избежать изменения вкуса продуктов, а также изменения цвета пластмассовых деталей в холодильном отделении.
- Горячие блюда и напитки сначала охладить а потом поставить в прибор.

Указание:

Во избежание нарушения циркуляции воздуха, не загромождайте продуктами отверстия для выхода воздуха.

Продукты питания, расположенные непосредственно перед этими отверстиями, могут заморозиться в потоке холодного воздуха.

Обратите внимание на различные температурные зоны в холодильном отделении

Из-за циркуляции воздуха в холодильном отделении возникают различные температурные зоны:

- Зоны самых низких температур находятся перед воздуховыпускными отверстиями и в отделении с пониженной температурой, рисунок **1**/25.

Указание:

Храните в зонах самых низких температур скоропортящиеся продукты (напр.: рыбу, колбасу, мясо).

- Зона самой высокой температуры находится в самой верхней части дверцы.

Указание:

Храните в зоне самой высокой температуры, напр., твердый сыр и масло. Аромат твердого сыра может развиваться дальше, а консистенция сливочного масла остается мягкой.

Контейнер для овощей и фруктов с регулятором влажности

Рисунок **3**

Для создания оптимальных условий хранения для фруктов и овощей Вы можете отрегулировать влажность воздуха в контейнере для овощей в соответствии с количеством загруженных продуктов:

- преимущественно овощи а также при смешанной загрузке или малой загрузке – высокая влажность воздуха

- преимущественно фрукты, а также при высокой загрузке – низкая влажность воздуха

Указания

- Чувствительные к низким температурам фрукты (напр.: ананасы, бананы, папайю и цитрусовые) и овощи (напр.: баклажаны, огурцы, цуккини, паприку, помидоры и картофель) для оптимального сохранения качества и аромата следует хранить вне холодильника при температурах от +8 °C до +12 °C.
- В зависимости от количества и вида хранимых продуктов в контейнере для овощей может образовываться конденсат. Вытереть конденсат сухой тряпочкой и отрегулировать влажность воздуха в контейнере для овощей при помощи регулятора влажности.

Отделение с пониженной температурой

Рисунок **9**

В отделении с пониженной температурой создается более низкая температура, чем в холодильном отделении. Температура может опускаться даже ниже 0 °C.

Эти условия идеальны для хранения рыбы, мяса и колбасы. Листовые салаты, овощи и продукты, чувствительные к воздействию низкой температуры, здесь хранить нельзя. Температуру в отделениях с пониженной температурой можно регулировать с помощью вентиляционного отверстия. Регулятор температуры передвинуть вверх, чтобы понизить температуру. Регулятор температуры передвинуть вниз, чтобы повысить температуру. Рисунок **7**

Суперохлаждение

При этом холодильное отделение в течение 6 часов охлаждается до самой низкой предельно-допустимой температуры. Затем происходит автоматическое переключение на установленную до включения суперохлаждения температуру. Функцию суперохлаждения следует включать, например

- перед загрузкой большого количества продуктов питания,
- для быстрого охлаждения напитков.

Включение и выключение

Рис. 4

1. Выберите холодильное отделение кнопкой °C.
2. Нажмите кнопку super.
Загорается индикатор super cooling.

Режим суперохлаждения выключать не требуется. Спустя 6 часов прибор автоматически переключится на ранее установленную температуру.

Указание:

Во время работы суперохлаждения эксплуатационный шум может усилиться.

Морозильное отделение

Использование морозильного отделения

- Для хранения замороженных продуктов питания.
- Для приготовления кубиков пищевого льда.

- Для замораживания свежих продуктов.

Указание:

Следите, пожалуйста, за тем, чтобы дверца морозильного отделения всегда была закрыта! Так как при открытой двери замороженные продукты могут подтаять и стенки морозильного отделения покрываются толстым слоем льда. Кроме того: расточительно расходуется электроэнергия из-за повышенного потребления тока!

Макс. производительность замораживания

Данные по макс. производительности замораживания в течение 24 часов Вы найдете в фирменной табличке. Рисунок 14

Условия для максимальной производительности замораживания

- Включите суперзамораживание перед загрузкой свежих продуктов (см. раздел «Суперзамораживание»).
- Извлечь контейнеры; продукты сложить прямо на полке и на дне морозильного отделения.
- Большое количество продуктов лучше всего замораживать в самом верхнем отделении. Там они замораживаются очень быстро и благодаря этому в щадящих условиях.

Замораживание и хранение продуктов

Покупка замороженных продуктов

- Упаковка не должна быть повреждена.
- Обращайте внимание на указанный срок хранения.
- Температура в морозильном шкафу в магазине должна быть -18°C или ниже.
- Замороженные продукты перед транспортировкой следует по возможности сложить в термоизолирующую сумку и дома побыстрее загрузить в морозильное отделение.

При размещении продуктов учитывать следующее

- Большое количество продуктов предпочтительнее замораживать в самом верхнем отделении. Там они замораживаются особенно быстро, а значит и бережно.
- Расположить продукты свободно в отделениях или в боксах для замороженных продуктов.

Указание:

Уже замороженные продукты не должны соприкасаться со свежими продуктами, предназначенными для замораживания. При необходимости, полностью промороженные продукты переложить в другие боксы для замороженных продуктов.

Хранение замороженных продуктов

Бокс для замороженных продуктов задвиньте до упора в целях обеспечения оптимальной циркуляции воздуха.

Замораживание свежих продуктов питания

Для замораживания следует брать только абсолютно свежие продукты питания.

Чтобы как можно лучше сохранить пищевую ценность, аромат и цвет, овощи следует перед замораживанием бланшировать. Бланширование не требуется для баклажанов, сладкого стручкового перца, кабачков и спаржи. Литературу о замораживании и бланшировании Вы найдете в книжных магазинах.

Указание:

Постарайтесь, чтобы предназначенные для замораживания свежие продукты питания не соприкасались с уже замороженными продуктами.

- Замораживать можно: выпечку, рыбу и морепродукты, мясо, дичь, птицу, овощи, фрукты, зелень, яйца без скорлупы, молочные продукты, напр., сыр, масло и творог, готовые блюда и остатки приготовленных блюд, напр., супы, рагу, приготовленные мясо и рыбу, блюда из картофеля, запеканки и сладкие блюда.
- Замораживать нельзя: употребляемые в пищу преимущественно в сыром виде овощи, напр., листовые салаты или редиска, яйца в скорлупе, виноград, целые яблоки, груши, персики, сваренные вкрутую яйца, йогурт, простоквашу, сметану, крем-фреш и майонез.

Упаковка продуктов для замораживания

Упакуйте продукты герметично, чтобы они не потеряли вкус и не вымерзли.

1. Положите продукты в упаковку.
2. Выдавите из упаковки весь воздух.
3. Герметично закройте упаковку.
4. Укажите на упаковке, что в ней находится, и когда продукты были заморожены.

В качестве упаковки можно использовать:

пленку из различных синтетических материалов, рукава из полиэтиленовой пленки, алюминиевую фольгу, специальные емкости для замораживания продуктов. Всю эту продукцию Вы найдете в специализированных магазинах.

В качестве упаковки нельзя использовать:

упаковочную или пергаментную бумагу, целлофан, мешки для мусора и использованные пакеты для покупок.

Для закрывания упаковки можно использовать:

резиновые кольца, пластмассовые зажимы, шпагат, морозостойкую клейкую ленту и проч.

Мешки и рукава из полиэтиленовой пленки можно заварить с помощью специального сварочного аппарата.

Продолжительность хранения замороженных продуктов

Срок хранения продуктов питания зависит от их вида.

При температуре $-18\text{ }^{\circ}\text{C}$:

- Рыба, колбаса, готовые блюда, хлебо-булочные изделия:
до 6 месяцев
- Сыр, птица, мясо:
до 8 месяцев
- Овощи, фрукты:
до 12 месяцев

Суперзамораживание

Чтобы в замороженных продуктах сохранились витамины и питательные вещества, а также не испортились их привлекательный вид и хороший вкус, продукты должны как можно быстрее промерзнуть до самой сердцевины.

Включите суперзамораживание за несколько часов перед загрузкой свежих продуктов в целях предупреждения нежелательного повышения температуры.

В общем и целом достаточно 4–6 часов. После включения данной функции прибор работает непрерывно. В морозильном отделении устанавливается очень низкая температура.

Для использования максимальной производительности замораживания, включите суперзамораживание за 24 часа до загрузки свежих продуктов. Небольшие количества продуктов питания (до 2 кг) можно замораживать без включения суперзамораживания.

Указание:

Во время работы суперзамораживания эксплуатационный шум может усилиться.

Включение и выключение

Рис. 4

1. Выберите морозильное отделение кнопкой °C.
2. Нажмите кнопку super.
Загорается индикатор super freezing.

Режим суперзамораживания выключать не требуется. Примерно через 2 ½ дня прибор автоматически переключится на ранее установленную температуру.

Размораживание продуктов

В зависимости от вида и способа приготовления продуктов можно выбрать один из следующих способов их размораживания:

- при комнатной температуре,
- в холодильном отделении,
- в электрическом духовом шкафу, с обдувом горячим воздухом или без,
- в микроволновой печи.



Внимание!

Подтаявшие или полностью размороженные продукты нельзя снова замораживать. Только после тепловой обработки продуктов (их можно сварить или поджарить) готовые блюда можно снова заморозить.

Но их нельзя хранить так же долго, как и замороженные свежие продукты.

Специальное оснащение

Полки и боксы

Полки, расположенные внутри холодильного отделения и в дверце холодильника, можно при желании переставлять в другое место: Потяните полку на себя, опустите ее спереди и затем извлеките ее сбоку из направляющих. Приподнимите полку и снимите ее с дверцы.

Специальное оснащение

(не во всех моделях)

Отделение для масла и сыра

Отделение для масла открывается легким нажатием на середину крышки отделения.

Для чистки отделение приподнять снизу и извлечь.

Комплект для завтрака

Рисунок **5**

Контейнеры комплекта для завтрака можно вынимать и заполнять по отдельности.

Комплект для завтрака можно извлечь для того, чтобы уложить в него или вынуть из него продукты. Для этого комплект для завтрака приподнять и вытянуть. Крепление контейнера можно передвигать.

Полка для бутылок

Рисунок **6**

На эту полку можно складывать бутылки, не боясь, что они упадут.

Ванночка для льда

Рисунок **13**

1. Ванночку для льда заполните на $\frac{3}{4}$ питьевой водой и поместите в морозильное отделение.
2. Примерзшую ванночку для льда отделять только тупым предметом (ручкой ложки).
3. Для извлечения кубиков льда, ванночку немного подержать под проточной водой или слегка изогнуть.

Календарь со сроками хранения замороженных продуктов

Рисунок **12**

Не превышайте сроков хранения замороженных продуктов, чтобы их качество не ухудшилось. Цифры рядом с символами – это допустимые сроки хранения замороженных продуктов в месяцах. Обращайте внимание на дату изготовления и срок годности предлагаемых в торговле быстрозамороженных продуктов.

Аккумулятор холода

При выключении электроэнергии или выходе холодильника из строя аккумулятор холода препятствует слишком быстрому нагреванию находящихся в морозильном отделении замороженных продуктов.

Максимальное увеличение срока хранения возможно с помощью аккумулятора холода, положенного на продукты в верхнем отделении.

Аккумулятор холода можно также извлечь на время из морозильного отделения для охлаждения продуктов питания, например, в сумке из изолирующего материала.

Наклейка «ОК»

(не для всех моделей)

С помощью наклейки «ОК» можно проверить, достигаются ли в холодильном отделении рекомендуемые для сохранности продуктов диапазоны температур не выше +4 °С. Если наклейка не показывает «ОК», то температуру следует постепенно снизить.

Указание:

После ввода прибора в эксплуатацию может пройти до 12 часов, пока температура достигнет заданного уровня.



Правильная установка

Выключение прибора и вывод его из эксплуатации

Выключение прибора

Нажимайте на кнопку «+» в течение 10 секунд.

Холодильный генератор выключится.

Вывод прибора из эксплуатации

Если Вы не будете использовать прибор в течение продолжительного времени:

1. Извлечь штепсельную вилку из розетки или выключить предохранитель.
2. Очистите прибор.
3. Оставить дверцу прибора открытой.

Указание:

Чтобы предотвратить повреждения прибора, его дверцы должны быть открыты так широко, чтобы они самостоятельно оставались открытыми. Не зажимайте какие-либо предметы дверцей, чтобы она оставалась открытой.

Чистка прибора

Внимание!

- Не использовать средства для чистки и растворители, содержащие песок, хлорид или кислоты.
- Не использовать абразивные и царапающие губки.
На металлических поверхностях может появиться коррозия.
- Никогда не мыть полки и контейнеры в посудомоечной машине.
Детали могут деформироваться!

При мойке не допускайте попадания воды

- на элементы управления
- на освещение
- в вентиляционные отверстия
- в отверстия разделительной панели

Выполните следующие действия:

1. Извлечь штепсельную вилку из розетки или выключить предохранитель.
2. Извлечь замороженные продукты и положить их в прохладное место. Положить на продукты питания аккумуляторы холода (если таковые имеются).
3. Не допускайте попадания моющей воды в элементы управления, систему освещения, вентиляционные отверстия или отверстия перегородки!
Очистить прибор мягкой тряпочкой и теплой водой с небольшим количеством моющего средства с нейтральным pH.
4. Уплотнитель дверцы протереть только чистой водой и затем тщательно вытереть насухо.
5. После чистки: снова подключите прибор к электросети.
6. Загрузить обратно замороженные продукты.

Специальное оснащение

Для чистки все передвижные элементы прибора вынимаются.

Извлечение полок в двери

Рисунок **3**

Приподнимите вверх полки и извлеките.

Извлечение стеклянных полок

Потяните стеклянные полки к себе и извлеките.

Извлечение бокса

Рисунок **9**

Вытяните бокс до упора и извлеките его, приподняв спереди.

Извлечение бокса для замороженных продуктов

Рисунок **10**

Вытяните бокс для замороженных продуктов до упора, приподнимите спереди и извлеките.

Извлечение стеклянной полки над контейнером для овощей

Рисунок **11**

Вы можете вынимать и разбирать стеклянную полку для чистки.

Указание:

Перед извлечением стеклянной полки извлечь контейнер для овощей.

Освещение (на светодиодах)

Ваш холодильник оснащен системой освещения на светодиодах, которая не нуждается в техобслуживании.

Ремонт освещения данного типа должен проводиться лишь силами специалистов уполномоченного сервисного центра или квалифицированными специалистами, имеющими на это разрешение.

Как сэкономить электроэнергию

- Бытовой прибор следует установить в сухом, хорошо проветриваемом помещении! Он не должен стоять на солнце или поблизости от источника тепла (например, радиатора отопления, электроплиты). При необходимости воспользуйтесь плитой из изолирующего материала.
- Теплые продукты и напитки перед размещением в приборе следует охладить.
- Замороженные продукты поместите для размораживания в холодильное отделение, чтобы использовать холод замороженных продуктов для охлаждения продуктов.
- Закрывайте двери прибора как можно быстрее.
- Чтобы обеспечить минимальный расход энергии: соблюдайте небольшое расстояние сбоку от стены.
- Порядок размещения элементов оснащения не влияет на потребление электроэнергии прибором.

Рабочие шумы

Обычные шумы

Указание:

При включенном суперзамораживании шум во время работы может усилиться.

Гудение

Работают двигатели (напр., холодильные агрегаты, вентилятор).

Бульканье или жужжание

Хладагент течет по трубам.

Щелчки

Включаются или выключаются двигатель, выключатель или магнитные клапаны.

Потрескивание

Происходит автоматическое размораживание.

Как избежать посторонних шумов

Холодильник стоит неровно

Выровняйте, пожалуйста, холодильник с помощью ватерпаса. Отрегулируйте по высоте винтовые ножки холодильника или подложите что-нибудь под него.

Холодильник «зажат»

Отодвиньте, пожалуйста, холодильник от стоящей рядом мебели или других бытовых приборов.

Шатающиеся или заклинившие боксы или полки

Проверьте, пожалуйста, как установлены съемные детали и, при необходимости, расположите их правильно.

Бутылки или прочие емкости прикасаются друг к другу

Немного отодвиньте, пожалуйста, бутылки или емкости друг от друга.

Самостоятельное устранение мелких неисправностей

Прежде чем вызвать Службу сервиса:

проверьте, не сможете ли Вы устранить неполадки самостоятельно с помощью приведенных ниже рекомендаций.

Вам придется оплачивать вызов специалистов Службы сервиса для консультации самостоятельно – даже во время гарантийного периода!

Неисправность	Возможная причина	Устранение
Фактическое значение температуры сильно отличается от установленного.		В некоторых случаях достаточно выключить холодильник на 5 минут. Если температура слишком высокая, то проверьте через несколько часов, не приблизилось ли фактическое значение температуры к заданному. Если температура слишком низкая, то проверьте ее на следующий день еще раз.
В холодильном отделении или в отделении с пониженной температурой слишком холодно.		Установите более высокое значение температуры в холодильном отделении.
		Передвиньте вниз регулятор температуры для отделения с пониженной температурой. Рисунок 7
В морозильном отделении слишком высокая температура.	Слишком часто открывались дверцы бытового прибора.	Не открывайте бытовой прибор без надобности.
	Закреты вентиляционные отверстия.	Уберите мешающие предметы.
	Замораживание слишком большого количества свежих продуктов питания.	Загружайте морозильное отделение с учетом макс. производительности замораживания.
Освещение не функционирует.	Система освещения на светодиодах вышла из строя.	Смотрите раздел «Освещение (на светодиодах)».
	Бытовой прибор оставался слишком долгое время открытым. Освещение отключится спустя ок. 10 минут.	После открытия и закрытия дверцы прибора освещение включается снова.

Неисправность	Возможная причина	Устранение
Прибор не охлаждает, индикатор температуры и освещение светятся.	Включен демонстрационный режим.	Держите нажатой кнопку °C и кнопку настройки + в течение 5 секунд, пока не зазвучит подтверждающий сигнал. После отпущения кнопок также звучит подтверждающий сигнал. Проверьте через некоторое время, охлаждает ли ваш прибор.
Боковые стенки прибора нагреваются.	В боковых стенках проходят трубки, которые нагреваются в процессе охлаждения.	Это нормальный режим работы прибора, и неисправностью не является. Повреждение предметов мебели, соприкасающихся с прибором, под действием тепла не происходит.
Не горит ни один из индикаторов.	Отключили электроэнергию; сработал предохранитель; вилка «болтается» в розетке.	Подключите штепсельную вилку к сети. Посмотрите, есть ли напряжение в электросети, проверьте предохранители.
Дверца морозильного отделения была слишком долго открытой; установленная температура больше не достигается.	Испаритель (производитель холода) в системе «NoFrost» слишком сильно обледенел, из-за чего он больше не может оттаивать полностью автоматически.	На время размораживания испарителя необходимо извлечь замороженные продукты вместе с ящиками и положить их на хранение в прохладное место, позаботившись об их хорошей теплоизоляции. Выключите холодильник и отодвиньте его от стены. Оставьте дверцу прибора открытой. Примерно через 20 минут талая вода начнет стекать в поддон для испарения, расположенный на задней стенке холодильника. Во избежание переливания талой воды через край поддона испарителя следует несколько раз собрать излишки воды с помощью губки. Когда вода перестает стекать в поддон, испаритель оттаял. Проведите чистку бытового прибора изнутри. Введите холодильник в эксплуатацию.

Неисправность	Возможная причина	Устранение
На поверхности и на полках в приборе образуется конденсат.	В теплой и влажной окружающей среде данный эффект усиливается.	<p>Вытирайте воду мягкой и сухой матерчатой салфеткой.</p> <ul style="list-style-type: none"> ■ Открывайте дверцы прибора на минимально короткий срок ■ Следите за тем, чтобы дверцы прибора всегда были правильно закрыты.

Самопроверка прибора

Ваш прибор оснащен программой автоматической самопроверки. Эта проверка покажет Вам источники неисправностей, которые могут быть устранены лишь специалистами Вашего уполномоченного сервисного центра.

Запуск программы самопроверки

1. Выключите прибор и выждите 5 минут.
2. Включите прибор и в первые 10 секунд после включения нажмите и удерживайте нажатыми кнопку °C и кнопку настройки «—» в течение 3-5 секунд, пока не раздастся звуковой сигнал.

Программа самопроверки запускается.

Если по завершении самопроверки раздастся двойной звуковой сигнал, Ваш прибор работает исправно. 5-кратный звуковой сигнал свидетельствует о неисправности. Обратитесь за помощью в сервисную службу.

Окончание самопроверки

После окончания программы прибор переключается в обычный режим работы.

Сервисная служба

Ближайшую сервисную службу Вы найдете в телефонном справочнике или в списке сервисных служб. При обращении в сервисную службу укажите номер изделия (E-Nr.) и заводской номер (FD-Nr.) прибора. Эти данные Вы найдете на типовой табличке. Рисунок 14

Помогите, пожалуйста, избежать ненужных выездов специалистов, правильно указав заводской номер и номер изделия. Тем самым Вы сэкономите связанные с этим дополнительные расходы.

Заявка на ремонт и консультация при неполадках

Контактные данные всех стран Вы найдёте в приложенном списке сервисных центров.

Қауіпсіздік техникасы бойынша нұсқаулар және алдын-ала ескертулер

Бұйымды іске қосу алдында

Бұйымды орнату және пайдалану бойынша нұсқаулықты мұқият оқып алыңыз! Онда бұйымды орнату, пайдалану және күтімдеу жөнінде маңызды ақпарат берілген.

Осы нұсқаулықтар мен ескертпелерде көрсетілген сақтандырулар мен нұсқауларға назар аудармай әрекет етілген жағдайларда өндіруші ықтимал зардаптар үшін жауапкершілікті көтермейді. Бүкіл құжаттаманы одан әрі пайдалану немесе басқа қолданушыға беру үшін сақтаңыз..

Техникалық қауіпсіздік



Өрт қауіпі

Суыту жүйесінің құбырларында кем көлемде қоршаған ортаны сақтайтын, бірақ жанатын хладагент (R600a) ағады. Ол озон қабатына зиян келтірмей көшетхана әсерін күшейтпейді. Хладагент шыққанды көздерді жарақаттауы мүмкін немесе оталуы мүмкін.

Зақымдалған жағдайда

- Тоңазытқышты ашық оттан және тұтану бұлақтардан аулақ ұстаңыз,
- Бөлмені жақсылап желдетіп алыңыз,
- Тоңазытқышты өшіріп ашаны розеткадан шығарыңыз,
- Сервис қызмет көрсету орталығына хабарлаңыз.

Бұйымдағы салқындатқыш заттың мөлшері неғұрлым көп болса, ол тұратын панажайдың көлемі де соғұрлым үлкен болуы тиіс. Тым кішкентай панажайларда салқындатқыш зат жылыстаған жағдайда жанғыш газ-ауа қоспасы пайда болуы мүмкін.

Салқындатқыш заттың әр 8 грамына кемінде 1 м³ кеңістік келіп отыруы тиіс.

Бұйымыңыздағы салқындатқыш заттың мөлшері бұйымның ішіндегі зауыттық тақташада көрсетілген.

Құрылғыны орнатуда желіге қосу сымы қысылмағанына немесе зақымдалмағанына тексеріңіз.

Бұзылған электр жүйесін және сымдарын айырбастауға өндіруші, сервис қызмет көрсету орталығы және білікті мамандар ғана құқықты. Дұрыс емес атқарылған орнату және жөндеу жұмыстары пайдаланушылар үшін өте қауіпті.

Бұйымды жөндеу жұмыстарына тек өндіруші, сервис қызметі немесе тиісті құзырлы тұлға ғана жүргізе алады.

Тек өндіруші тарапынан шығарылған түпнұсқа бөлшектерін ғана пайдалануға рұқсат етіледі. Тек осылар ғана қауіпсіздік техникасы талаптарын орындай алады деп шығарушы тарапынан кепілдік беріледі.

Ешқандай көп айырлы розеткаларды, ұзартқыш кабельді немесе адаптерді пайдаланбаңыз.



Өрт қауіпі

Тасымалы көп жайлық розеткалар немесе тасымалы желі бөліктері қызып кетіп өрте алып келуі мүмкін. Көп жайлық тасымалы розеткалар немесе тасымалы желі бөліктерін құрылғы арқасында орналастырыңыз.

Пайдаланып тұрған кезінде

- Тоңазытқыштың ішкі жағында электр бұйымдарды пайдалануға болмайды (мысалы қыздырғыш бұйымдарды, электр мұз дайындайтын аспаптарды). Жарылып кету қауіптілігі!

- Тоңазытқышты ыстық бумен жібітуге немесе тазалауға болмайды! Бу электр бөлшектеріне жеткенде қысқа тұйықталуына себеп болуы мүмкін. Электр қуатына түсу қаупі!
- Еруді жылдамдату үшін өндіруші деректерінен басқа ешқандай қосымша әрекеттерді жасамаңыз. Жарылып кету қауіптілігі!
- Қырау не мұз қабатын кетіру үшін үшкір немесе өткір жиекті заттарды қолданбауыңыз لازم, себебі. Бұл әрекет суыту заттарды өткізетін құбырларының бұзылуына апаруы мүмкін. Суыту заттары жарылып немесе көзге зиян келтіруі мүмкін.
- Тоңазытқыштың ішіне тұтану газдарды (мысалы аэрозольдық баллон) және жарылғыш заттарды қоюға болмайды. Жарылып кету қауіптілігі!
- Тоңазытқыштың бөлімдерін, сөрелерін және есіктерін тұпқойма немесе сүйеніш қатары пайдалануға болмайды

■ **Балалар және қауіптерге ұшырағыш болатын адамдар үшін тәуекелдерді болдырмау:**

Қауіптерге ұшырай алатын деп балалар және физикалық, психикалық не аңғару қабілеттері шектеулі немесе осы электрбұйымды қауіпсіз түрде қолдану бойынша білімі жеткіліксіз болған тұлғалар саналады.

Балалар және қауіптерге ұшырай алатын тұлғалар мүмкін болатын қауіптерді түсініп алғанын тексеріп алыңыз.

Қауіпсіздік үшін жауапты адам балалар немесе қауіптерге ұшырай алатын тұлғалар электрбұйыммен жұмыс істегендерінде оларды қадағалап және оларға нұсқау беріп отыруы керек.

Жасы 8 толған балаларға ғана электрбұйымды қолдануға рұқсат етіледі.

Электрбұйымды тазалау немесе күту жұмыстарын өткізгендерінде балаларды қадағалап отыру керек.

Балаларды аспаппен ойнатуға болмайды.

- Мұзды не бұйымды тазалау үшін бұйым айырын розеткадан суырып немесе сақтандырғышты істен шығарып алу керек. Сымды ұстамай ашаны розеткадан шығарыңыз.
- Арақ шарап ішімдіктерді жабық және тұрғызып сақтаңыз.
- Пластик бөлшектерді және есік тығыздауышты маймен ластап тастамаңыз. Маймен ластап тасталған бөлшектер және тығыздауыш ұсақ тетікті болып қалады.
- Желдеткіш саңылауларды еш бөгетсіз ашық ұстаңыз.
- Мұздату бөлемінде сұйықты заттарды шишалар және қаңылтыр құтыларда (әсіресе құрамында көмір қышқылы бар бұйымдарды) сақтамаңыз. Бетелкелер мен құтылар жарылуы мүмкін!
- Мұздатылған тағамды жібітіп алған соң оны бірден ауызға салуға болмайды. Тоңазу қауіптілігі бар!
- Мұздатылған тағамды, мұзды немесе салқындатқыш құбырларын көп қолмен ұстамаңыз. Тоңазу қауіптілігі бар!

Балалар мен үй шаруашылығы

- Бұйым орамасын және бөлшектерін балаларға бермеңіз. Полиэтиленді қаптамада мен жиналмалы қатырмақағаз қапшықтарында тұншығып қалу қауібі бар!
- Бұйым – балаларға арналған ойыншық емес!
- Есіктік құлпы бар бұйымда: Кілтті балалардың қолы жетпейтін жерде сақтаңыз!

Жалпы анықтаулар

Құрылғы төменде көрсетілген мақсаттармен қолданыла алынады:

- тағамдарды тоңазыту және мұздату,
- мұз дайындау.

Бұл бұйым үй шаруашылығында және тұрмыстық пайдалануға және тұрмыстық салаға арналған. Салқындатқыш агенттің циркуляциялық кескінінің тығыз қымталуы тексерілген. Осы құрылғы электр аспаптары қауіпсіздігі туралы ережеге сәйкес келеді және радиокедергілерден қорғалған. Бұл құрылғы теңіз деңгейінен максималды 2000 метрге дейін болған биіктікте пайдалануға арналған.

Көдеге жарату бойынша қатысты нұсқамалар

Ораманың көдеге жаратылуы

Орама тасымалдау уақытында бұйымыңызды зақымданудан қорғайды. Барлық орама материалдар қоршаған ортаға зиян келтірмейді және қайта өңделуі мүмкін. Қоршаған ортаны қорғауға өз үлесіңізді салып көмек етіңіз: ораманы экологиялық нормаларға сәйкес көдеге жаратыңыз. Көдеге жаратудың көкейкесті жолдары туралы бұйымды сататын сатушыдан немесе жергілікті әкімшіліктен сурап біле аласыз.

Ескі бұйымды көдеге жарату

Пайдалану мерзімі аяқталған бұйымдарға қажетсіз қоқыс деп қарамау керек! Оларды экологиялық таза түрде көдеге жаратқан жағдайда олардан қайтадан бағалы шикізат алуға болады.



Бұл бұйым Еуропа Одағының 2012/19/EG Электрлік және электронды құрылғылар туралы Директивасының (waste electrical and electronic equipment – WEEE) талаптарына сәйкес келеді. Осы Директива Еуропа Одағында қолданылатын ескі аспаптарды қайтару мен көдеге жаратудың ережелерін реттейді.



Ескерту және ескертулер

Пайдалану аяқталған бұйымдарда

1. Ашасын розеткадан суырып алыңыз.
2. Кабелін бөліп, ашасымен бірге алыңыз.
3. Балалардың жәшіктер мен контейнерлердің ішіне енуіне жол бермеу үшін оларды шығармаңыз!
4. Пайдалану мерзімі аяқталған бұйыммен ойнауға балаларға рұқсат бермеңіз. Қылқынып қалу қаупі бар!

Суытқыш аспаптардың ішінде суытқыш заттаржәне оқшауламасында газдар бар. Суытқыш заттармен газдар білікті түрде кәдеге жаратылуы тиіс. Суытқыш зат контурының түтікшелері білікті түрде кәдеге жаратылғанға дейін зақымдалмауы тиіс.

Жеткізіліп берілетін жиынтықтың көлемі

Орамасын ашып. Бұйымның барлық бөлшектерін тасымалдау кезінде зақымданулы бар не жоғын тексеріп шығыңыз.

Шағымдарыңыз болса бұйымды өзіңізгесатқан сатушыға не біздің сервис орталығымызға осы шағымдар туралы хабар беріңіз..

Жеткізіліп берілетін жиынтығы құрамына төмендегілер кіреді:

- Едендік құрылғы
- Жабдықталуы моделіне байланысты
- Орнату үшін материалы салынған дорба
- Пайдалану туралы нұсқаулығы
- Орнату жөнінде нұсқаулар
- Сервистік кітапша
- Кепілдік құжаты
- Энергияны тұтыну мен шуыл деңгейі туралы мәліметтер

Орнату жері

Орнату орны ретінде құрғақ, желдете алынатын бөлмелер жарамды болады. Орнату орны күн сәулелерінің тікелей түсетін жерлердің және пеш, жылытқыш не қыздырғыш сияқты жылу беретін көздердің жанында болмауы тиіс. Электрбұйымның жылу беретін көздердің жанында қойылуы керек болғанда арнайы тежеулі аралық тақталарын қолданыңыз немесе жылу беру көздеріне дейін төменде көрсетілген аралықтарын ұстаныңыз:

- Электр және газ пештеріне дейін – 3 см.
- Май немесе көмірмен істейтін пештерге дейін – 30 см.

Орнату жеріндегі еденде ешбір шөгілу болмауы тиіс. Керек болса, еденді бекейтуіңіз керек. Еденде тегіс емес жерлері бар болғанда оларды төсем аралықтар салу арқылы тегістеңіз.

Қабырғаға дейін аралық

Электрбұйымды, оның есік ашу бұрышының 90° болатындай қылып орнатыңыз.

Бөлме температурасы мен желдетуді қадағалап отырыңыз

Бөлме температурасы

Бұл бұйым белгілі бір климаттық топта жұмыс істеуге арналған. Климаттық топқа байланысты. Бұйымды келесі бөлме температуралары жағдайында пайдалануға болады.

Климаттық топ зауыттық тақшада көрсетілген, **14** сурет.

Климаттық топ	Лайықты бөлме температурасы
SN	+10 °C және 32 °C аралығында
N	+16 °C және 32 °C аралығында
ST	+16 °C және 38 °C аралығында
T	+16 °C және 43 °C аралығында

Ескерту:

Бұйым көрсетілген климаттық топтың бөлме температурасы шегінде толығымен жұмыс істеуге жарамды. Бұйымды +5 °C дейін бөлме температурасы жағдайында пайдаланған жағдайда SN тобындағы бұйымның зақымдалуы мүмкін емес.

Желдету

2 суреті

Электрбұйымның артқы жақ қабырғасындағы және бүйір жақтарындағы ауа жылынады. Жылы ауа бөгетсіз желдетіліп тұруы керек. Әйтпесе салқындатқыш машина жоғары істейді және электр қуатының пайдалануы көбейіп кетеді. Сондықтан: Вентиляция және ауаны сорғызып шығаратын саңылауларды ешқашан үстінен немесе шетінен жауып қоймаңыз!

Бұйымның қосылуы

Бұйым қосылғаннан кейін пайдалануға дайын уақытына дейін кемінде бір сағат өтуі керек. Тасымалдау уақытында майдың сығымдағыштан салқындату жүйесіне түсуі мүмкін.

Алғашқы пайдалану алдында бұйымды ішінен жуыңыз («Құрылғыны жуу» тарауын қараңыз).

Электр желісіне қосу

Розетка электрбұйымның жанында және оның орнатылғанынан кейін жеңіл түрде қолжетімді болып тұруы керек.

⚠ Ескерту және ескертулер

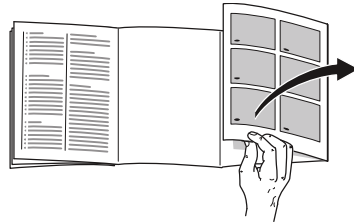
Электр қуатына түсу қаупі!
Егер егер желіге қосу сымының ұзындығы жетерлік болса, көп орындық розетканы немесе ұзарту кабелін пайдаланбаңыз. Оның орнына техникалық қызмет көрсету орталығына хабарласып жолын сұраңыз.

Құрылғы I қорғау сыныбына сай. Тоңазытқыш дұрыс орнатылған розетка арқылы 220-240 В / 50 Гц айнымалы электр тоғына қосылады. Розеткада 10 А – 16 А сақтандырғыш болуы керек. Еуропадан тыс елдерде пайдаланатын электрбұйымдарды электр желісіне қоспас бұрын кернеу мен үйдегі электр желісінің қуатына сай келетіндігін тексеріп алыңыз. Бұл деректерді зауыттық тақтайшада табасыз, сурет 14.

⚠ Ескерту және ескертулер

Бұйымды энергия үнемдейтін электр розеткаларға қосуға тыйым салынады. Бұйымдарымыздың жұмыс істеуі үшін синустық және автономды емес инверторларды пайдалануға болады. Автономды емес инверторлар ортақ электр желісіне тікелей қосылған фотогальваникалық электр бұйымдарда пайдаланылады. Ортақ электр желісіне қолды жеткізбейтін құралдар үшін (мысалы, кемелерде немесе тауларда) синуспен жүргізілетін инверторларды қолдану керек.

Бұйыммен танысу



Суреттері бар ең соңғы бетті ашуыңызды өтінеміз. Пайдалану жөніндегі бұл жетекші құрал бірнеше модельдер үшін жарамды. Модельдердің жабдықталынуы өзгеріп отыруы мүмкін. Суреттерде өзгешеліктер болуы мүмкін.

1 суреті

* Барлық үлгілерде бірдей бар бола бермейді.

- A Тоңазытқыш камера
- B Мұздатқыш камера

- 1–18 Басқару орынның бөлшектері
- 19* Май және ірімшік бөлімі
- 20 Шағын шишалар үшін сөре
- 21 Көлемі ірі шишалар үшін
- 22 Жарық (LED)
- 23* Шишалар сөресі
- 24* Таңғы тамақ үшін жиынтық
- 25 Суытып сақтау бөлімшесі
- 26 Ылғалдылық реттегіші бар көкөніс салу үшін сауыт
- 27* Мұздатылатын тағам бөлімі

Басқару орынның бөлшектері

4 суреті

- 1 **Суыту бөлімшесінің температура көрсеткіші**
Сандар суыту бөлімшесінің орнатылып қойылған С° сай болады.
- 2 **Көрсеткіш super cooling**
Супер суыту функциясы іске қосылғанында жанып тұрады.
- 3 **Мұздату бөлімшесіндегі температура көрсеткіші**
Көрсетілетін °С сандары мұздату бөліміндегі °С температураларына сай келеді.
- 4 **Көрсеткіш super freezing**
Супер мұздату функциясы іске қосылғанында жанып тұрады.
- 5 **Көрсеткіш vacation**
Демалыс режимі қосылғанда көрсетіледі.
- 6 **Көрсеткіш fresh**
Балғындық режимі қосылғанда көрсетіледі.
- 7 **"eco mode" режимі**
eco режимі қойылғанда көрсетіледі.
- 8 **mode пернесі**
Арнаулы функцияларды таңдау үшін.
- 9 **Super пернесі**
super cooling (суытқыш бөлімшесі) және super freezing (мұздату бөлімшесі) функцияларын қосуға арналған.
- 10 **Таңдау-түймешелері +/-**
Түймешіктер суыту және мұздату бөлімшелердің температураларын орнату үшін қолданылады.
- 11 **lock пернесі**
lock функциясын таңдауға арналған.
- 12 **°С пернесі бөлме таңдау үшін және alarm off**
Бөлмені таңдауға арналған. Бұл оның температурасын өзгерту үшін немесе белгілі арнайы функцияларды қосу үшін керек болады.
Дабылды өшіруге арналған.
- 13 **Түймешіктерді оқшаландыру функциясы "Lock"**
Осы функция қосылып тұрғанда басқару элементтердің параметрлерінің орнатылуы мүмкін емес.
- 14 **Көрсеткіш alarm off**
Құрылғы тым жылы болса жанады.
- 15 **alarm индикаторы**
Мұздату бөлімі тым жылы немесе мұздату бөлімінің есігі тым ұзақ уақыт бойы ашық болғанда жанады.
- 16 **Көрсеткіш freeze**
Мұздату бөлімшесі таңдалғанда жанады.
- 17 **Дабыл индикаторы**
Суыту бөлімінің есігі тым ұзақ уақыт бойы ашық болғанда жанады.
- 18 **Көрсеткіш cool**
Суыту бөлімшесі таңдалғанда жанады.

Электрбұйымды қосу

1. Алдымен айырғыш ашасын электрбұйым артындағы қосатын жерге енгізіңіз. Ашаның дұрыс енгізілуін тексеріңіз.
2. Одан кейін кабелдің басқа ұшын электр тоқ розеткасына енгізіңіз.

Электрбұйым қосылып, сақтандыру белгісі естілетін болады.

Сақтандыру дыбысты өшіру үшін °C түймешігін басыңыз.

Электрбұйым орнатылған температураға жеткен сәтте alarm көрсеткіші өшеді.

Таңдалған температура бірнеше сағат өткен соң ғана болады. Таңдалған температура болмай тұрғанда тағамдарды тоңазытқышқа салуға болмайды.

Зауыт келесі температураны ұсынады:

- Мұздату бөлімшесі: -18 °C
- Суыту бөлімшесі: +4 °C

Құрылғының жұмысы бойынша нұсқаулар

- Электрбұйымды қосқаннан кейін таңдалған температура деңгейі орнатылғанша дейін бірнеше сағат керек болуы мүмкін.
- Толық автоматты түрде атқарылатын "NoFrost" жүйесі арқасында мұздату бөлімшесінде мұз пайда болмайды. Сондықтан еріту қажет емес.
- Егер мұздату бөлімшесінің есігі жабылғаннан кейін дереу ашылмаса, қысым айырмашылығы теңгерілмейінше дейін тосыңыз.
- Корпустың алғы жағы мен жан қабырғалары жартылай ысиды. Бұл арқылы ылғалдықтың конденсациясының пайда болуына жол берілмейді.

Температурасын қою

4 суреті

Суыту бөлімшесі

Температура деңгейін +2 °C тан +8 °C дейін орнатып қоюға болады.

1. Суыту бөлімшесін °C түймешігімен таңдап алыңыз.
2. Қалаған температура көрсетілгенге дейін +/- түймешіктерін басыңыз.

Тез бұзылып кететін тағамдарды +4 °C асырмай сақтаңыз.

Мұздату бөлімшесі

Температура деңгейін -16 °C тан -24 °C дейін орнатып қоюға болады.

1. Мұздату бөлімшесін °C түймешігімен таңдап алыңыз.
2. Қалаған температура көрсетілгенге дейін +/- түймешіктерін басыңыз.

Арнайы функциялар

4 суреті

Балғын режимі

Балғын режимі арқасында азық-түлік өнімдер одан да ұзағырақ уақыт бойы сақтала алынатын болады.

Өшіру:

mode түймешігіне fresh көрсеткіші пайда болғаныша басыңыз.

Электрбұйым автоматты түрде төмендегі температураларға ауысады:

- Суыту бөлімшесі: +2 °C
- Мұздату бөлімшесі: өзгертілмей қалады

Өшіріңіз:

mode түймешігіне, fresh көрсеткіші жойылғаныша басыңыз.

Есо режимі

Есо режимі арқылы құрылғыны электрқуат үнемдеу режиміне қоса аласыз.

Өшіру:

mode түймешігіне "eco mode" көрсеткіші пайда болғаныша басыңыз.

Электрбұйым автоматты түрде төмендегі температураларға ауысады:

- Суыту бөлімшесі: +8 °C
- Мұздату бөлімшесі: -16 °C

Өшіріңіз:

mode түймешігіне, "eco mode" көрсеткіші жойылғаныша басыңыз.

Демалыс тәртібі

Ұзақ сапарға кеткенде тоңазытқышты электр қуатын үнемдеу демалыс тәртібіне қойып кетуге болады.

Суыту бөлімшесіндегі температурасы автоматты түрде +14 °C өзгереді.

Бұл мерзімде суыту бөлімшесіндегі тағамдарды сақтауға болмайды.

Өшіру:

mode түймешігіне vacation көрсеткіші пайда болғаныша басыңыз.

Электрбұйым автоматты түрде төмендегі температураларға ауысады:

- Суыту бөлімшесі: +14 °C
- Мұздату бөлімшесі: өзгертілмей қалады

Өшіріңіз:

mode түймешігіне, vacation көрсеткіші жойылғаныша басыңыз.

Пернелерді бұғаттау функциясы Lock

Түймешіктердің бұғаттауды қосу және өшіру үшін lock пернесін 5 секунд басып тұрыңыз.

Функция қосулы болса lock көрсеткіші жанады.

Енді басқару панелі кездейсоқ басылудан қорғалған.

Түймешіктер құрсаулауын алып тастау:

Түймешіктердің бұғаттаулауын өшіру үшін және ескерту дыбысында lock түймешігін басу мүмкін.

Дабыл функциясы

Дабыл келесі жағдайларда істеп бастайды.

Есік дабылы

Тиісті есік тым ұзақ уақыт бойы ашылып тұрса, есік дабылы қосылады да, суыту бөлімінің температура индикаторында 1 немесе мұздату бөлімінің температура индикаторында 3 alarm көрсеткіші пайда болады. Тиісті есік жабылғанда, есік дабылы қайтадан өшіп қалады.

Температура бойынша сақтандыру белгісі

Интервалдық дыбыс шалып, мұздату бөлімшесі 3 температура көрсеткішінде alarm көрсеткіші жанады.

Дыбысты температура белгісі мұздатқыштың тым жылынып, мұздатылған бұйымдар үшін қауіп пайда бола бастағанда қосылып кетеді. Мұздатылатын бұйымдарға еш қауіп тұдырмай сақтандыру дыбыс белгісі келесі жағдайларды қосылып кетуі мүмкін:

- Тоңазытқыш іске қосылғанда.
- Жаңа тағамдардың үлкен көлемдерді салынғанда.

Ескерту:

Мұзы аздап еріген не әбден еріген өнімдерді қайта мұздатпаған жөн. Осы өнімдерді тек дайын даярланған түрде ғана (пісірілген не қуырылған түрінде) әзірлеп болғаннан кейін ғана оны қайтадан мұздатуға болады.

Өнімдерді жарамдылық мерзімі өткенге дейін пайдалану ұсынылады. Температура мәліметі 5 секунд мұздатқыш камерада болған ең жоғары температураны көрсетеді. Сонан соң қайта таңдалған температура көрсетіледі.

Дабыл дыбысын өшіру

Сақтандыру дыбысты өшіру үшін °C түймешігін басыңыз.

Қолдану үшін сыйымдылық көлемі

Қолдану үшін сыйымдылық көлемі бойынша мәліметтер құрылғының кестесінде көрсетілген. **14** суреті

Мұздату көлемін толығымен пайдалану

Мұздатылатын өнімдерінің мүмкіндігінше жоғары көлемін салу үшін сауытты шығарып қоюыңызға болады. Мұздатылған өнімдерді тікелей сөре үстінен немесе мұздату бөлімшесінің еденінің үстінен бір бірінің үстінен қоюға болады.

Ескерту:

Азық-түліктер мен тағамдардың артқы қабырғаға тиіп кетуін болдыртпауыңыз керек, себебі ол ауа алмасуына бөгет бола алады, азық-түліктер мен қорапшалардың артқы қабырғаға жабысып мұздап кетуіне апара алады.

Бұйымның жабдықтарын шығарып алыңыз

Өнімдерге арналған мұздату сауытын толығымен дейін суырып алыңыз, алды жағынан жоғарыға қарай көтеріп, бұйымнан шығарып алыңыз. **10** суреті

Суыту бөлімі

Суыту бөлімшесі ет, шұжық, балық, сүт бұйымдары, жұмыртқалар, даяр тағамдар мен нан-бөлке өнімдерін сақтау үшін мінсіз жер.

Өнімдерді салғанда төмендегілерге назар аударыңыз

- Тоңазытқышқа тек жаңа және бұзылмаған өнімдерді ғана салыңыз. Бұл жағдайда өнімдердің сапасы мен балғындығы ұзағырақ уақыт бойынша сақталады.
- Даяр бұйымдар мен орама салыңған өнімдерде шығарушы тарапын қорап не орамаларда көрсетілген сақтау және тұтыну мерзімдеріне назар аударыңыз.
- Өнімдердің жұпарын, түсі мен балғындығын сақтай алу үшін азық-түліктерді жақсылап орамалап немесе жауып қойып салу арқылы суыту бөлімшесіндегі дәмдердің басқа өнімдерге өтуіне, пластик бұйымдарының түс өзгеруіне жол бермейді.
- Жылы тағамдарды және сусындықтарды суытып тоңазытқышқа қойыңыз.

Ескерту:

Желдеткіш саңылауларды еш бөгетсіз ашық ұстаңыз. Тағамдар ауаға бөгет болып қалмасын. Саңылаулардың тұра алдында тұрған өнімдерінің ағып тұратын суық ауа әсерінен қатып қалуы мүмкін.

Суыту бөлімшесінде суықтық аумақтарына назар аудару

Суыту бөлімшесіндегі ауа айыналымы арқылы түрлі суықтық деңгейлі аумақтар пайда болады:

- Ең суық жерлер ауа шығаратын саңылаулар алдында және салғын сақтау сауытында орналасқан, **1**/25 суреті.

Ескерту:

Ең суық аумағында тез бұзылатын азық-түліктерді сақтаңыз (мысалы балық, шұжық, ет).

- Ең жылы аумағы - есіктегі ең жоғары аумағы.

Ескерту:

Ең жылы аумағында мысалы ірімшік пен майды сақтаңыз. Осы жерде сақтау арқылы қатты ірімшік түрлері өз дәмі мен жұпарын сақтап, ал май нанға жағу үшін қатпай, жұмсақ қалыпта сақталады.

Көкөніс салу үшін ылғалдылық реттегіші бар сауыт

Сурет **8**

Көкөніс, және жеміс үшін лайықты сақтау климатын жасау үшін, көкөністерге арналған сауытта ауа ылғалдылық деңгейін реттеуге болады:

- көбінесе көкөністер, аралас өнімдер салынғанда немесе салынған бұйымдардың көлемі төмен болғанда – ауа ылғалдығының жоғары деңгейі
- көбінесе жеміс салынғанда және көп көлемде толтыруда – ауа ылғалдығының төмен деңгейі

Нұсқаулар

- Суыққа сезімтал жеміс (мысалы ананас, банан, папайя және цитрус тұқымды жеміс) пен көкөністерді (мысалы баялды, қияр, кәдіш, бұрыш, қызанақ және картоп) өз сапасы мен жұпарларын сақтау үшін тоңазытқышқа салмай, температурасы +8 °C тен +12 °C дейін болған ортада сақтау лазым.
- Көкөніс контейнерінде – сақталатын өнімдер мен осы өнімдердің көлеміне байланысты – конденсациялық ылғал суының пайда болуы мүмкін. Конденсациялық суды құрғақ шүберекпен сүртіп, көкөніс сауытындағы ауа ылғалдылығын ылғалдық реттегіш арқылы лайықтаңыз.

Суытып сақтау бөлімшесі

9-ші сурет

Суықта сақтау бөлімшесінің температура деңгейі суыту бөлімшесіндегі деңгейден төменірек. 0 °C төменірек температура деңгейлерінің пайда болуы мүмкін.

Балық, ет және шұжық бұйымдарын сақтау үшін мінсіз. Салаттар, көкөніс және суыққа сезімтал өнімдерді сақтау үшін қолдануға болмайды.

Салқын сақтау сауытындағы температурасын желдету саңылауы арқылы өзгертіп отыруыңызға болады. Температураны төмендету үшін температура реттеуішін жоғарыға қарай жылжытыңыз. Температура деңгейін жоғары қылу үшін температура реттеуішін төменге қарай жылжытыңыз.

Сурет **7**

Super-тоңазыту

Super-тоңазытуда тоңазытылатын бөлім шамасы 6 сағат бойынша мүмкін болғанша суық деңгейде тоңазытылып тұрады. Осыдан кейін ол автоматты түрде Super-тоңазытуға дейін орнатылған температураға ауысады. Super-тоңазыту қосу, мысалы

- өнімдерді көп көлемде салу алдынды қосыңыз.
- сусындарды тез түрде суыту үшін.

Қосу және өшіру

4-сурет

1. Суыту бөлімшесін °C түймесін басып таңдаңыз.
2. Super түймесін басыңыз.

super cooling индикаторы жанады.

Айрықша суыту функциясын өшіруге болмайды. Құрылғы 6 сағаттан кейін алдын ала реттелген температураға автоматты түрде ауысады.

Ескерту:

Super-суыту жүйесі қосылып тұрғанда бұйымның жұмыс істеуіне байланысты шуыл пайда болуы мүмкін.

Мұздату бөлімшесі


Мұздатқыш бөлімін қолдану

- Жылдам мұздатылған өнімдерді сақтау үшін.
- Мұз текшелерін жасау үшін.
- Өнімдерді мұздату үшін.

Ескерту:

Мұздатқыш камера есігінің әрдайым жабулы болуына назар аударыңыз! Есігі ашық кезде өнімдер ери бастайды, ал мұздатқыш бөлімінің мұз басады. Оған қоса: тоқтың асқын мөлшерде тұтынылуына байланысты электр қуаты ысырап болады!

Ең жоғары мұздату қабілеті

24 сағаттың ішінде ең жоғары мұздату қабілеті туралы мәліметтер құрылғының кестесінде көрсетілген.  суреті

Ең жоғары мұздату көлемі үшін талаптар

- Жаңа өнімдерді салу алдынан Super-мұздату функциясын қосыңыз ("Super-мұздату" тарауын оқыңыз).
- Сауытты шығарып алыңыз; Азық-түлік өнімдерін тікелей сөрелер мен мұздатқыш бөлімшесінің түбіне бірінің үстінен біріп қойып салыңыз.
- Көп мөлшерлі өнімдерді жоғарғы бөлікте мұздату жөн. Олар онда тезірек мұздайды, соның арқасында пайдалы қасиеттері көбірек сақталады.

Мұздату және сақтау

Жылдам тоңазытылған өнімдерді сатып алу

- Өнімдер орамасы зақымдалмаған болуы керек.
- Өнімнің жарамдылық мерзіміне көңіл аударыңыз.
- Сату сәтіне дейін өнімнің сақталу температурасы - 18 °C жоғары болмауы керек.
- Жылдам тоңазытылған өнімдерді жеке арнайы мұздату пакетте тасыған және тезірек мұздатқышқа қойған лазым.

Өнімдерді орналастыру кезінде төмендегілерге назар аударыңыз:

- Көп мөлшерлі өнімдерді жоғарғы бөлікте мұздату жөн Олар онда тезірек мұздайды, соның арқасында пайдалы қасиеттері көбірек сақталады.
- Көп көлемді өнімдерді сөрелерде, сондай-ақ мұздатылған өнімдерге арналған сауыттарда бөліп салуға болады.

Ескерту:

Мұздатылып қойылған өнімдерді енді ғана мұздатылатын жаңа өнімдермен жанаспауы лазым. Керек болса, мұздатылған өнімдерді басқа сауытқа ауыстырып салуға болады.

Мұздатылған өнімдерді сақтау

Ауаның мінсіз айналымын қамтамасыз ету үшін мұздатылған өнімдерге арналған ыдысты тірелгенше дейін алаға қарай итеріп отырып орнатыңыз.

Жаңа әкелінген өнімдерді мұздату

Мұздату үшін тек жаңа және бұзылмаған өнімдерді ғана пайдаланыңыз.

Көкөністердің қоректік заттары, хош иісі мен түсі мүмкіндігінше жақсы сақталу үшін оларды мұздатудың алдында булап алу қажет. Баклажан, бұрыш, кәдіш пен спаржаны булау қажет емес. Сатылымда өнімдерді мұздату мен булау жөніндегі кітаптарды таба аласыз.

Ескерту:

Мұздатылатын өнімдерді мұздатылып қойған өнімдерге жанастырмаған жөн.

- Төмендегі өнімдерді мұздатуға болады:
Нан-тоқаш бұйымдары, балық және теңіз өнімдері, ет, аңдар еті, үй құс еті, көкөністер, жемістер, шөптер, қабығы алынған жұмыртқа, ірімшік, май және сүзбе сияқты сүт өнімдері, дайын тағамдар және келесі тағамдардың қалғандарын: көже, қою көже, дайын ет және балық, картоптағамдары, бәліштер мен тәтті тоқбасарлар.
- Мұздатылмайтын тағамдар:
Әдетте шикі түрінде желінетін көкөністердің сұрыптары, атап айтқанда жапырақты салаттар, шалғам, қабығы алынбаған жұмыртқа, жүзім, бүтіндей күйінде алма, алмұрт және шабдалы, бітеудей пісірілген жұмыртқа, йогурт, қатық, кілегей, қаймақ және майонез.

Мұздат үшін өнімдерді жақсылап буып-түю

Өнімдердің дәмі кетпеу үшін не кеуіп қалмау үшін оларды жақсылап қымтап жабыңыз.

1. Өнімдерді орамағасалыңыз.
2. Ішіндегі ауасын түгелдей шығарып алыңыз.
3. Ораманы қымталап жабыңыз.
4. Орама үстінен ішіндегі заттың атауын және мұздатылған күнін жазыңыз.

Орауыш қатары пайдалынады:

Пластикалық орауыштар, полиэтилен, алюминий пленкалар, қанылтыр бөтелкелер.
Бұл заттар арнаулы дүкендерде сатылады.

Орауыш қатары пайдаланбайды:

орауыш қағаз, пергамент, целлофан, қоқыс қапқалар және пайдаланған сөмкелер.

Жабу үшін пайдаланады:

Резеңке сақиналар, пластикалық ілгешектер, суыққа шыдамды жабысқақ баулар т.б.
Полиэтилен қап пен шланг пленкаларды пленкаларды дәнекерлеу құрылғысымен жабыстыру мүмкін.

Мұздатылған өнімдердің жарамдылық мерзімі

Жарамдылық мерзімі өнімнің түріне байланысты.

-18 °C дейінгі температурада:

- Балық, шұжық, даяр тағамдар, нан-бөлке бұйымдары:
6 айға дейін
- Ірімшік, құс еті, ет:
8 айға дейін
- Көкөніс, жеміс:
12 айға дейін

Супер мұздату

Тамақ өнімдерінің, олардың құрамындағы дәрумендер, қоректік заттар, сыртқы түрі мен дәмдік қасиеттері сақтай алу үшін, мүмкіндігінше жылдам мұздатылып қойылуы лазым.

Температураның көтерілуіне жол бермеу үшін жаңа өнімдерді салудан бірнеше сағат бұрын Супер мұздату режимін қосыңыз.

Әдетте 4–6 сағат жеткілікті болады.

Құрылғы қосылғаннан кейін ол тұрақты түрде жұмыс істейді, мұздатқыш бөлмесінде өте төмен температураға қол жеткізіледі.

Ең жоғары мұздату қабілетін пайдалану үшін терең Super-мұздату функциясын бұйымға жаңа өнімдерді салу алдынан 24 сағат бұрын қосу керек.

Аздаған мөлшердегі өнімдерді (2 кг дейін) терең мұздату функциясын қолданусыз мұздатуға болады.

Ескерту:

Super-мұздату жүйесі қосылып тұрғанда істе болып тұрғанын білдіретін бірқатар дыбыстардың пайда болуы мүмкін.

Қосу және өшіру

4-сурет

1. Мұздату бөлімшесін °C түймесін басып таңдаңыз.
2. Super түймесін басыңыз.
super freezing индикаторы жанады.

Айрықша мұздату функциясын өшіруге болмайды. Құрылғы шамамен 2 ½ күннен кейін алдын ала реттелген температураға автоматты түрде ауысады.

Мұздатылған өнімдерді еріту

Өнімдердің түрлері мен оларды одан әрі қалай пайдалануыңызға байланысты Сіздің келесі мүмкіндіктерді арасында таңдай алуыңызға болады:

- бөлме температурада
- тоназытқыштың ішінде
- желдеткіш бар/жоқ электр пеште
- шағын толқынды пеште



Сақтандыру және

сақтандырулар

Мұзы аздап еріген не әбден еріген өнімдерді қайта мұздатпаған жөн. Осы өнімдерді тек дайын даярланған түрде ғана (пісірілген не қуырылған түрінде) өзірлеп болғаннан кейін ғана оны қайтадан мұздатуға болады.

Мұндай өнімдерді ең жоғары сақтау мерзіміне жеткізей тұтыну қажет.

Жабдықталуы

Сөрелер мен сауыттар

Электрбұйымның ішкі бөлімшесі мен оның есігінің сөрелер мен сауыттарының орындарын ауыстырып отыруыңызға болады. Сөрелі алға қарай тартып, біраз төменге қарай төмендетіп, қайыра отырып шығарыңыз. Сауытты жоғарыға қарай тарта отырып шығарып алыңыз.

Арнайы жабдықтама

(барлық модельдерде бірдей бар бола бермейді).

Май және ірімшік үшін сөре

Май салатын сөресінің қайырып ашылатын қақпағының ортасынан біраз басу арқылы май салатын сөресін аша аласыз.

Сөрелі тазалау үшін оны біраз көтере отырып шығарыңыз.

Таңғы тамақ үшін жиынтық

5 суреті

Таңғы тамақ үшін жиынтығының сауытын бөлек шығарып алып, толтыруға болады.

Таңғы тамақ үшін жиынтығын толтыру немесе босату үшін оны электрбұйымнан шығарып алуыңызға болады. Ол үшін таңғы тамақ үшін жиынтықты жоғарыға қарай көтере отырып шығарып алыңыз. Сауыттың бекітілуін жылжытуыңызға болады.

Шишалар сөресі

6 суреті

Шишалар сөресінде шишаларды қауіпсіз түрде қоя аласыз.

Мұз ыдысы

13 суреті

1. Мұз ыдысын $\frac{3}{4}$ көлемінде ауыз сумен толтырыңыз және мұздатқыш бөліміне қойыңыз.

2. Ішінде даяр мұзы бар ыдысты дөкір заттармен (мысалы, қасықтың сабымен ғана) ашу керек.
3. Мұз текшелерін шығару үшін ыдысты ағып тұрған судың астына аз уақытқа ұстай тұрып немесе мұз ыдысын сәл бұраңыз.

Мұздату күнтізбесі

12 суреті

Мұздатылған өнімдердің сапасы төмендеп кетпеуі үшін олардың сақтауын сақтау мерзімін асырмаңыз. Символдардың жанындағы сандар өнімдердің айлармен көрсетілген жарамды сақтау мерзімін білдіреді. Дүкеннен алынған жылдам мұздатылған өнімдердің жасалу күні мен жарамдылық мерзіміне назар аударыңыз.

Суықтық аккумуляторы

Электр тоғының берілуі тоқталып қалғанда немесе бір бөгет не қате арқылы суықтық батареясы мұздату бөлімшесіне жүктелген өнімдердің жылып кетуін бәсеңсітеді. Ең ұзақ сақтау мерзіміне жету үшін ең жоғарғы жәшіктегі суықтық аккумуляторын өнімдердің үстіне қоюыңыз лазым. Суықтық аккумуляторларын өнімдерді қысқа уақыт бойынша суыту үшін (мысалысуыту дорбасында) тоңазытқыштан шығарып алуға болады.

“OK” жапсырмасы

(барлық модельдерде бар бола бермейді)

“OK” жапсырмасымен суыту бөлімшесінде температура азық-түліктер үшін ұсынылған қауіпті +4 °C немесе одан төмен аймағына жеткенін тексеру мүмкін. Егер жапсырма “OK” көрсетпесе, температураны аз-аздап төмендетіңіз.

Ескерту:

Құрылғыны іске қосудан соң ол реттелген температураға жеткенше 12 сағатқа дейін өтуі мүмкін.



Дұрыс реттеу

Тоңазытқышты өшіру және істен шығару

Электрбұйымды өшіріңіз

"+" Түймешесін 10 секунд басып тұрыңыз.
Тоңазытқыш өшіріліп қалады.

Электрбұйымды істен шығару

Электрбұйым ұзақ мерзімде пайдаланбаса:

1. Ашаны розеткадан шығарыңыз немесе сақтандырғышты өшіріңіз.
2. Электрбұйымды тазалаңыз.
3. Электрбұйым есігін ашық қалтырыңыз.

Ескерту:

Құрылғы зияндарының алдын алу үшін құрылғы есіктері өздері ашық тұратын етіп ашық тұруы керек. Есікті ашық ұстау үшін есікке ешқандай заттарды қыспаңыз.

Бұйымды тазалау

Сақтандыру және

сақтандырулар

- Құрамында құм, хлорид не қышқыл бар тазалау не еріткіш заттарын қолданбаңыз.
- Абразивтік жуу заттарын және қырғыш ысқыштарды қолданбаңыз. Темір бөлшектер үстінде коррозия пайда болуы мүмкін.
- Сөрелерді және бөлімдерді ыдыс-аяқ жуатын машинада жууға болмайды. Бөлшектер өз пішінін жоғалтуы мүмкін!

Тазалау үшін қолданған су келесі жерлерге түспеуі тиіс:

- Басқару элементтеріне
- Жарық
- Желдеткіш саңылауларына
- Аралық тақтадағы тесіктер

Төменде көрсетілгендей әрекеттеніңіз:

1. Айырын розеткадан шығарыңыз немесе тежегішті өшіріңіз.
2. Мұздатылған тағамдарды шығарып салқын жерге қойыңыз. Суыту аккумуляторын (егер бар болса) ө шығарылып қойылған өнімдерінің үстіне жатқызып салыңыз.
3. Су басқару элементтеріне, жарыққа, желдету тесіктеріне немесе аралық тесіктеріне тиіп кетпесін!
Тоңазытқышты жұмсақ шүберекпен, жылы сумен және PH бейтарап жуғыш затпен тазалаңыз.
4. Есіктің тығыздауыштарын таза сумен ғана сүртіп жақсылап кептіріңіз.

5. Тазалағаннан кейін электрбұйымды қайта жабыңыз.
6. Мұздатылатын тағамдарды қайта салыңыз.

Жабдықталуы

Тазалау үшін тоңазытқыштың бірнеше бөлшектері шығарылып алынады.

Есіктегі сақтау өрешелерін шығарып алыңыз

3 суреті

Өрешелерді жоғарыға қарай біраз көтеріп отырып шығарыңыз.

Әйнек сауытын шығарып алу

Әйнек сауыттарын алға қарай тарта отырып, шығарып алыңыз.

Сауыты шығару

9 суреті

Сауытты толығымен алға тартып, алдыңғы жағынан біраз көтеріп отырып шығарыңыз.

Мұздату үшін сауыттарды шығару

10 суреті

Өнімдерге арналған мұздату сауытын толығымен дейін суырып алыңыз, алдыңғы жағынан жоғарыға қарай көтеріп, бұйымнан шығарып алыңыз.

Әйнек сөресін көкөніс салатын сауыты үстінен шығарыңыз

11 суреті

Әйнек сөресін тазалау үшін оны бұйымнан шығарып, бөлшектен алыңыз.

Ескерту:

Әйнек сөресін шығару алдынан көкөніс салатын сауытын шығарып алыңыз.

Жарық (СИД)

Тоңазытқыш күтілмейтін светодиод жарығымен жабдықталынған. Тек сервистік қызмет көрсету орталығында немесе уәкіл етілген мамандарда бұл жарықты жөндеуге құқығы бар.

Энергияны үнемдеу

- Бұйымды құрғақ, желдетілетін орнатыңыз. Бұйым тікелей күн сәулесі түсетін жерде не жылу көздерінің жанында (мысалы, ас үй пеші, жылыту аспаптарының жанында) қойылмауы тиіс. Қажет болған жағдайда жылу сақтағышпешін қолданыңыз.
- Жылы тағамдарды және сусындқтарды суытып тоңазытқышқа қойыңыз.
- Мұзын еріту үшін мұздатылған өнімдерді суытқыш бөліміне салып, олардың суығын өнімдерді суыту үшін пайдаланыңыз.
- Тоңазытқышты қысқа уақытқа ғана ашыңыз.
- Ең кем энергия тұтынуға жету үшін: жан қабырғадан аз аралықты сақтаңыз.
- Жәшіктердің орнатылған тәртібі бұйымның электр қуатын тұтынуына әсер етпейді.

Жұмыс шуылы

Мүлде кәдімгі шуылдар

Ескерту:

Егер супер мұздату функциясы қосылып тұрса, көп жұмыс шуылдары пайда болуы мүмкін.

Дүріл

Моторлардың жұмысы (мысалы, тоңазыту агрегаты, желдеткіш).

Бүлкілдейтін, ызылдайтын немесе арқырауық дыбыстар

Суытқыш заты түтіктер арқылы ағып жатыр.

Шерту

Моторды, қосқышты немесе магнит қақпағын іске қосқан / өшіргенде естіледі.

"Шерт" етіп

Автоматикалық еріту барысы басталады.

Шуыл деңгейінің жоғарылауын болдырмау

Құрылғының тегіс бетте тұрмауы

Құрылғыны ватерпастың көмегімен тегістеңіз. Бұл үшін бұрылатын аяқтарын пайдаланыңыз немесе құрылғының астына бірдеңе салыңыз.

Құрылғы “жаңасып тіреліп тұр”

Құрылғыны жанындағы жиһаздан не аспаптардан біраз алыстырақ жылжытып қойыңыз.

Ысырмалы жәшіктер не сөрелер тербеліп тұр не қарысып қалған

Алынбалы бөліктерінің қалай орнатылғанын тексеріңіз және қажетіне қарай оларды дұрыс орнатыңыз.

Бөтелкелер бір біріне тиіп тұр

Бөтелкелерді бір бірінен азғантай ары жылжытыңыз.

Шағы ақаулылықтарды өз бетінше жою

Сервистік қызметіне телефон арқылы хабарламас бұрын:

Ақаулылықты келесі ұсыныстардың көмегімен өз бетіңізше жоя алу мүмкіншілікті тексеріп алыңыз.

Сіз кеңес беру үшін сервистік қызметті шақыртудың ақысын тіпті көпілдік мерзімінің ішінде төлеуге тиіссіз! –

Бөгеттер	Ықтимал болған себебі	Ақаулылықтарды жою
Температура таңдалған температурадан ерекшеленеді.		Тоңазытқышты бірнеше минутке өшіріңіз. Температура жоғары болса бірнеше сағат өткен соң температураның өзгергенін тексеріңіз. Температура төмен болса бір күн өткен соң температураның өзгергенін тексеріңіз.
Суыту бөлімшесінің немесе суытып сақтау сәресінің іші тым суық.		Суыту бөлімшесіндегі температураны жылығырақ қылып қойыңыз. Салқын сақтау бөлімшесінің температура реттеуішін төменге қарай жылжытыңыз. Сурет 7
Мұздатқыш бөліміндегі температура тым жоғары	Бұйымның есігін жиі аша беру.	Бұйымның есігін қажетінсіз ашпаңыз.
	Желдету және ауаны тартып шығару саңылаулары жабылып қалған.	Кедергілерді жойыңыз.
	Көп мөлшердегі жаңа өнімдерді мұздату.	Бұйымның ең жоғары мұздату қабілетінен асып кетпеуіне назар аударыңыз.
Құрылғы суытпай тұр, температура индикаторы және шам жанып тұр.	Көрсетілім режимі қосылған.	°C түймесі мен + реттеу түймесін растау сигналы берілгенше 5 секунд басып тұрыңыз. Түймелерді жібергенде тағы бір растау сигналы беріледі. Біраз уақыттан кейін құрылғының суытып тұрған-тұрмағанын тексеріп шығыңыз.
Құрылғының жан қабырғалары жылы.	Жан қабырғаларда суыту кезінде қызатын құбырлар тұр.	Бұл қалыпты құрылғы жұмысы ақаулық емес. Құрылғыға тиіп тұрған жиһаздар жылу арқылы зақымдалмайды.

Бөгеттер	Ықтимал болған себебі	Ақаулылықтарды жою
Жарық істемей тұр.	LED шам жүйесі бұзылған қалыпта. Электрбұйым тым ұзақ уақыт бойы ашылып тұрды. Шам жүйесі шамасы 10 минуттан кейін өшіріледі.	"Шам беру жүйесі (LED)" тарауын оқыңыз. Электрбұйымды ашу және жабудан кейін шам жүйесі қайта қосылады.
Көрсеткіштердің бірде бірі жанбайды.	Электр қуаты жоқ; сақтандырғыштар іске қосылды; Аша дұрыс істемей тұр.	Штекерді жалғаңыз. Электр тоғының беріліп не берілмей тұрғанын – және сақтандыру құрылғысын тексеріңіз.
Мұздатқыш бөлімінің есігі ұзақ уақыт бойынша ашық болып тұрды; температура бұдан әрі керекті деңгейге жетпей тұр.	NoFrost-жүйесіндіге булағыш (суық шығару генераторы) аса мұздап кетіп, осы себептен өзі-өзімен автоматты түрде еріп кете алмайды.	Буландырғышты ерітіп алу үшін мұздатылған өнімдерді сөрелерден шығарып алып, қаптап суық бір орында сақтаңыз. Электрбұйымды өшіріп, қабырғадан ығыстырыңыз. Электрбұйым есігін ашып қойыңыз. Шамамен 20 минуттан кейін еріген су электрбұйымның артқы жағындағы булау сауытына аға бастайды. Бұл жағдайда, булау сауытынан еріген судың тасып кетуін болдырмау үшін, еріген суды сорғыш ысқышымен сіңдіріп алыңыз. Еріген судың булау сауытына ағылуы аяқталғанында буландырғыш толығымен ерітілді. Ішкі бөлімшесін тазалаңыз. Электрбұйымды қайта іске қосыңыз.
Құрылғы бетінде және құрылғы сөрелерінде конденсат пайда болады.	Жылы және дымқыл қоршау температуралары әсерді күшейтеді.	Суды жұмсақ, құрғақ шүберекпен сүртіңіз. ■ Құрылғыны қысқа уақытқа ғана ашыңыз ■ Құрылғы әрдайым жабылып тұрғанына назар аударыңыз.

Тоңазытқыштың өзін-өзі тексеру

Тоңазытқыштың өзін-өзі тексеру автоматты түрде атқарылатын бағдарламасы бар. Бұл бағдарлама сервистік қызмет көрсету орталығы жөндейтін ақауларды аңықтайды.

Электрбұйымның өз-өзін тексеру тестін бастау

1. Электрбұйымды өшіріп, 5 минут күтіңіз.
2. Электрбұйымды қосып, алғашқы 10 секунд бойынша °C түймешігін, "—" реттеу түймешігін, акустикалық дыбысты белгісі естілгенше дейін 3-5 секунд бойы баса беріңіз.

Өзін-өзі тексеру бағдарламасы басталады.

Өзін-өзі тексеру тест аяқталып, акустикалық белгі екі рет естілгені бұйымыздың қалыптағыдай жағдайда болғанын көрсетеді.

5 акустикалық сигналдар естілгені қателердің бар болуын білдіреді. Қызмет көрсету сервис орнына қате туралы хабарлаңыз.

Тоңазытқыштың өзін-өзі тексеруін аяқтау

Осы бағдарлама аяқталғаннан кейін электрбұйым қалыпты жұмыс тәсіліне көшеді.

Сервистік қызмет көрсету

Сервис қызмет көрсету орталығының телефон нөмірін телефон анықтамалығында немесе сервис көрсету тізімінде таба аласыз. Сервис қызмет көрсету орталығымен хабарласқанда электрбұйымның өнім нөмірін (E-Nr.) және бұйымның өндіру нөмірін (FD-Nr.) хабарлаңыз.

Бұл мәліметтер техникалық ақпарат тақташасында көрсетілген. **14** суреті Үстеме жолға шығуын болдырмау үшін сервис қызмет көрсету орталығына телефон соққанда электрбұйымның өнім нөмірін және бұйымның өндіру нөмірін дайындап отырыңыз. Осы әрекет арқылы осыларға байланысты үстеме шығындарына да жол бермеуіңізге болады.

Жөндеу тапсырмалары мен бөгет кезіндегі кеңестер

Сервис қызметтерінің қоса ұсынылған тізімінде олардың барлық елдердегі байланысу мәліметтері көрсетілген.

KZ 8 800 800 801

Xavfsizlik va ogohlantirish ko'rsatmalari

Qurilmani ishga tushirishdan oldin

Foydalanish bilan o'rnatish bo'yicha yo'riqnimani diqqat bilan o'qib oling! Ularda qurilmani o'rnatish, ishlatish va unga xizmat ko'rsatish bo'yicha muhim ma'lumotlar bor.

Agar foydalanish bo'yicha yo'riqnomaning ko'rsatmalari bilan ogohlantirishlarni bajarmasangiz, ishlab chiqaruvchi javobgar bo'lmaydi. Barcha hujjatlarni keyingi foydalanish yoki keyingi egai uchun saqlab qoling.

Texnikaviy xavfsizlik



Yong'in xavfi

Sovitish sikli quvurlarida kam miqdorda, atrof-muhitga zararsiz bo'lgan sovitish moddasi (R600a) oqadi, ammo yonuvchan bo'ladi. U ozon qatlamiga zararsiz bo'lib, issiqxona effektini oshirmaydi. Sovitish moddasi sizib chiqsa, ko'zga shikast yetkazishi yoki o't olishi mumkin.

Shikastlansa

- ochiq olov yoki o't oldirish manbalarini qurilmadan uzoqlashtiring.
- xonani bir daqiqa davomida shamollating,
- Qurilmani o'chirib tarmoq vilkasini torting,
- majozlar xizmatiga xabar bering.

Qurilmada qancha ko'p xladagent bo'lsa shuncha u turgan xona katta bo'lishi kerak. Kichik xonalarda xladagaent oqib ketsa yonuvchan gaz-havo aralashmasi paydo bo'lishi mumkin.

Har 8 g xladagent uchun xonada qo'shimcha 1 m³ bo'lishi kerak. Qurilmangizdagi xladagent hajmi qurilma ichidagi tunukachada berlgan.

O'rnatish paytida elektr shnuri qisilib qolmaganiga va shikastlanmaganiga amin bo'ling. Bu jihozning elektr ta'minot shnuri shikastlansa, uni ishlab chiqaruvchi, mijozlar bilan ishlash markazi yoki shu kabi vakolatli markaz almashtirishi kerak. Noto'g'ri o'rnatilsa yoki ta'mirlansa, foydalanuvchiga jiddiy shikast yetishi mumkin. Tuzatishlarni faqat ishlab chiqaruvchi, mijozlar xizmati yoki o'xshash malakali odam amalga oshirishi mumkin.

Faqat ishlab chiqaruvchining original qismlarini ishlatish mumkin. Faqat shu qismlardagina ishlab chiqaruvchi ularning xavfsizlik talablariga javob berishini ta'minlaydi. Uchtalik, uzaytirgich va adapterlar ishlatmang.



Yong'in xavfi

Ko'chma rozetkalar yoki ko'chma ta'minot bloklari qizib ketib, yong'in keltirib chiqarishi mumkin. Jihozning orqa tomoniga ko'chma rozetka yoki ko'chma ta'minot bloklarini o'rnatmang.

Qo'llash paytida

- Qurilma ichida hech qachon elektr qurilmalaridan (masalan, qizdiruvchi qurilma, elektr muz generatori va h.) foydalanmang. Portlash xavfi bor!
- Jihozni hech qachon bug'da tozalagich yordamida eritmang yoki tozalamang! Bug' elektr qismlarga o'tishi va qisqa tutashuv yuzaga kelishi mumkin. Elektr toki urish xavfi!
- Ishlab chiqaruvchi ma'lumotlaridan kelib chiqqan holda, eritishni tezlashtirish uchun hech qanday qo'shimcha chora-tadbirlarni qo'llamang. Portlash xavfi bor!
- Qurilmaning ventilyatsiya teshiklarini hech qachon yopmang yoki berkitmang.
- Qor va muz qatlamlarni ketkazish uchun uchli va o'tkir buyumlardan foydalanmang. Aks holda sovuq o'tkazuvchi quvurlarni shikastlab qo'yishingiz mumkin. Yoriqdan chiqqan sovuq vosita alanga olishi yoki ko'zni shikastlashi mumkin.
- Yonuvchan gaz bilan to'ldirilgan mahsulotlar (masalan, sprej bankalari) va portlovchi moddalar saqlanmasin. Portlash xavfi bor!
- Sokollar, chiqish yo'laklari, eshik va boshqalardan zinapoya yoki tirgak maqsadida foydalanilmasin.
- Eritish va tozalash uchun vilkani sug'urib oling yoki saqlagichni o'chiring. Ulanish kabelidan emas, vilkadan torting.
- Alkogol miqdori yuqori bo'lgan ichimliklar mahkam yopilsin va tik holda saqlansin.
- Plastik qismlar va eshik muhri moy yoki yog' bilan iflos qilinmasin. Aks holda plastik qismlar va eshik muhrlarda g'ovaklar hosil bo'ladi.
- Hech qachon muzxonadan olingan narsa darhol og'izga solinmasin. Muzdan kuyish xavfi!

■ Bolalar va hayoti xavf ostidagi shaxslardan uzoqda saqlang:

Bolalar, jismoniy, psixologik yoki xis qilish imkoniyati cheklangan shaxslar, shuningdek qurilmadan to'g'ri foydalanishga doir yetarli bilimga ega bo'lmagan shaxslar uchun xavfli.

Bolalar va hayoti xavf ostidagi shaxslar xavfdan ogoh bo'lganiga amin bo'ling.

Xavfsizlik uchun mas'ul bo'lgan shaxs qurilmani bolalar va hayoti xavf ostidagi shaxslar yonida nazorat qilishi yoki ko'rsatma berishi lozim.

Qurilmadan faqat 8 yoshdan oshgan bolalar foydalanishi mumkin.

Tozalash va texnik xizmat ko'rsatish paytida bolalarni nazorat qiling.

Bolalarning qurilma bilan o'ynashlariga umuman yo'l qo'ymang.

- Muzlatish xonasida butilkada va bankada suv saqlamang (ayniqsa gazlangan ichimliklar). Butilka va bankalar yorilib ketishi mumkin!
- Sovutilgan buyumlar, muz yoki bug' quvurlarini qo'l bilan uzoq vaqt ushlamang. Muzdan kuyish xavfi!

Uydagi bolalar

- Upakovka va uning qismlarini bolalarga bermang. Karton va plyonkalar orqali bo'g'ilish xavfi!
- Qurilma bolalar uchun o'yinchoq emas!
- Eshik qulfi bor qurilmada: Kalitni bolalar yetmaydigan joyga saqlang!

Umumiy qoidalar

Qurilma quyidagilar uchun mos keladi:

- oziq-ovqatlarni sovutish va muzlatish uchun,
- muz tayyorlash uchun.

Ushbu qurilma shaxsiy xo'jalikda uyda va uy atrofida foydalanishga mo'ljallangan.

Xladagent tizimining zichligini tekshiring.

Ushbu qurilma elektr uskunalari uchun tegishli xavfsizlik qoidasi talablariga mos keladi va radiopomexlardan himoyalangan. Ushbu qurilma dengiz sathidan 2000 metrgacha balandlikda ishlatishga mo'ljallangan.

Utilizatsiya qilish bo'yucha ko'rsatmalar

Upakovkani utilizatsiya qilish

Upakovka qurilmangizni tashish ziyorlaridan himoya qiladi. Barcha ishlatilgan materiallar atrof-muhit uchun bezarar bo'lib qayta ishlatilishi mumkin. Quyidagilarda yordam bering: Upakovkani atrof-muhitni saqlaydigan holda utilizatsiya qiling.

Joriy utilizatsiya qilish yo'llari haqida ma'lumotlarni sotuvchidan yoki mahalliy jamoa tashkilotidan oling.

Eski qurilmani utilizatsiya qilish

Eski qurilmalar foydasiz ahlat emas! Atrof-muhitni saqlaydigan holda utilizatsiya qilish orqali qimmat xom ashyolar qayta olinishi mumkin.



Ushbu qurilma eski elektr va elektron haqidagi 2012/19/EU yevropalik normasiga muvofiq (waste electrical and electronic equipment - WEEE) belgilangan. Ushbu norma YI ichidagi eski qurilmalarni qabul qilish va qayta ishlatish uchun sharoitlarni yaratadi.

Ogohlantirish

Ishdan chiqqan qurilmalarda

1. Tarmoq vilkasidan torting.
2. Ulash kabelini ajratib tarmoq vilkasi bilan birga olib qo'ying.
3. Bolalarga chiqishni og'ilashtirish uchun tokcha va konteynerlarni chiqarmang!
4. Bolalarga ishdan chiqqan qurilma bilan o'ynashiga yo'l qo'ymang. Bo'g'ilish xavfi!

Sovutish qurilmalari ichida xladagentlar bo'lib izolyasiyasida gazlar bor. Xladagent bilan gazlarni tegishli ravishda olish kerak. Xladagent tizimining quvurlari tegishli ravishda utilizatsiya qilinmagunicha shikastlamang.

Komplekt tarkibi

Ochganda marcha qismlarni tashish shikastllari borligiga tekshiring. Shikoyatlar bo'lsa qurilmani sotib olgan souvchiga yoki bizning mijozlar xizmatimizga murojaat qiling. Komplekt tarkibida quyidagi qismlar bor:

- Polda turadigat qurilma
- Jihozlar (modelga bog'liq)
- Montaj qilish materiallari turgan sumkacha
- Foydalanish bo'yicha yo'riqnoma
- Yig'ish bo'yicha yo'riqnoma
- Mijozlar xizmati daftarchasi
- Kafolat qo'shimchasi
- Energiyani iste'mol qilish va shovqinlar bo'yicha axborotlar

O'rnatish joyi

O'rnatish uchun quruq, shamollatiladigan xona to'g'ri keladi. O'rnatish joyi bevosita kun oftobida turmasligi va plita, radiator kabi issiqlik manbalariga yaqin turmasligi kerak. Agar issiqlik manbasi yonida o'rnatish kerak bo'lsa mos izolyasiyli taxtani ihlating yoki issiqlik manbasiga quyidagi minimal oraliqlarni saqlang:

- Elektr va gas plitalargacha 3 cm.
- Moy yoki ko'mir plitalarigacha 30 cm.

O'rnatilish joyidagi pol pastga tushmasligi kerak. Kerak bo'lsa qotiring. Mumkin pol notekisliklari tiraklar bilan tekislang.

Devorgacha bo'lgan masofa

Qurilmani eshikning ochilish burchagi 90° ni tashkil etadigan qilib o'rnatilgan.

Xona temperaturasi bilan havo aylanishini inobatga olish

Xona temperaturasi

Qurilma aniq iqlim sinfiga mo'ljallangan. Iqlim sinfiga bog'liq qurilmani quyidagi xona temperaturalarida ishlatish mumkin. Iqlim sinfi zavod tunukachasida topiladi, rasm 14.

Iqlim sinfi	ruxsat etilgan xona temperaturasi
SN	+10 °C – 32 °C
N	+16 °C – 32 °C
ST	+16 °C – 38 °C
T	+16 °C – 43 °C

Ko'rsatma:

Qurilma berilgan iqlim sinfiing xona temperaturasi cheklarining ichida to'liq ishlaydi. SN iqlim sinfidagi qurilma sovuq temperaturalarda ishlatilsa, +5 °C temperaturasigacha qurilmada shikastlanishlar bo'lmaydi.

Shamollatish

2 rasmi

Qurilmaning orqa va yonlaridagi havo isiydi. Isigan havo almashishi lozim. Aks hola sovutish qurilmasi quvvatini ko'tarishi kerak. Bu energiya iste'molini ko'taradi. Shuning uchun: Hech qachon havo kirgizish va chiqarish teshiklarini yopmang yoki to'smang!

Qurilmani ulash

Qurilmani o'rnatgandan so'ng ishga tushirishdan oldin kamida 1 soat kuting. Tashish paytida kompressor ichidagi moy sovutish tizimiga ko'chishi mumkin. Ilk bor ishga tushirishdan oldin qurilmaning ichini tozalang (Qurilmani tozalash bobini ko'ring).

Elektr bog'lanish

Rozetka mashina yaqinida va o'rnatilgandan so'ng osonlikcha yetadigan joyda bo'lsin.

Ogohlantirish

Elektr toki urish xavfi!

Agar elektr shnurining uzunligi yetmasa, hech qachon uchtalik yoki uzaytirgich ishlatmang. Buning o'rniga muqobil shnur olish uchun mijozlarni qo'llab-quvvatlash xizmatiga murojaat qiling.

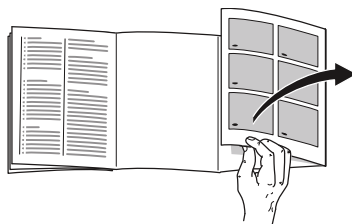
Bu jihoz I xavfsizlik sinfiga muvofiq keladi. Uni to'g'ri o'rnatilgan muhofaza simili rozetka orqali 220–240 V/50 Gs o'zgaruvchan tok manbaiga ulang. Rozetka 10 A – 16 A tokli saqlagich bilan himoyalangan bo'lishi kerak.

Jihozni Yevropadan tashqaridagi mamlakatda ishlatsangiz, ko'rsatilgan kuchlanish va tok turi elektr tarmog'ingizga muvofiq kelishini tekshiring. Mazkur axborotni zavod tomonidan yopishtirilgan ma'lumot taxtachasidan ko'rishingiz mumkin (14-rasm).

Ogohlantirish

Qurilmani elektron energiyani tejaydigan rozetkaga ulash mumkin emas. Bizning qurilmalarimizdan foydalanish uchun sinusli va tarmoqli invertorlarni ishlatish mumkin. Tarmoqli invertorlar jamoa tok tarmog'iga bevosita ulanadigan fotogalvanik energiya qurilmalarida ishlatiladi. Jamoa tok tarmog'iga bevosita ulanmaydigan alohida yechimlarda (misol uchun kema yoki tog'da) sinusli invertorlarni ishlatish kerak.

Qurilma bilan tanishish



Rasmlar turgan so'nggi betni yoying. Ushbu foydalanish bo'yicha yo'riqnomaga bir neha modellar uchun.

Modellarning jihozlanishi o'zgarishi mumkin.

Rasmlar farq qilishi mumkin.

1 rasmi

* Hamma modellarda emas.

- | | |
|------|--|
| A | Sovutish kamerasi |
| B | Muzlatish kamerasi |
| 1–18 | Boshqarish elementlari |
| 19* | Sariyog' va pishloq tokchasi |
| 20 | Kichik shishalarga mo'ljallangan maxsus tokcha |
| 21 | Katta shishalar uchun tokcha |
| 22 | Chiroq (LED) |
| 23* | Shishalar tokchasi |
| 24* | Nonushta konteyneri |
| 25 | Sovuq saqlash bo'limi |
| 26 | Sobzavot konteyneri namlik sozlagichi bilan |
| 27* | Muzlatish mahsulotining konteyneri |

Boshqarish elementlari

4 rasmi

- 1 **Sovutqich kamerasining temperatura indikator**
Sonlar sozlangan sovutqich temperaturalariga °C-da to'g'ri keladi.
- 2 **super cooling Display**
Super-sovitish rejimi amalda bo'lganida yonib turadi.
- 3 **Muzlatqich kameraning temperatura indikator**
Sonlar sozlangan muzlatqich kamerasining temperaturalariga °C-da to'g'ri keladi.
- 4 **super freezing Display**
Super-muzlatish rejimi amalda bo'lganida yonib turadi.
- 5 **vacation Display**
Ta'til rejimi qo'shilganda aks etadi.
- 6 **fresh indikator**
Soflik rejimi qo'shilganida aks etadi.
- 7 **Display Eko rejimida**
Eko rejimi qo'shilganida aks etadi.
- 8 **mode tugmasi**
Maxsus funksiyalarni tanlashga mo'ljallangan.
- 9 **Super tugmasi**
super cooling (sovutish kamerasi) va super freezing (muzlatish kamerasi) funksiyalarini ishga qo'shishga mo'ljallangan.
- 10 **Sozlash tugmchalari +/-**
Tugmalar yordamida sovitish va muzlatish kameralarida harorat o'rnatiladi.
- 11 **lock tugmasi**
lock funksiyasini qo'shishga mo'ljallangan.
- 12 **Kamera tanlovi uchun °C tugmasi va alarm off**
Kamera tanlovi uchun xizmat qiladi. Bu haroratni o'rnatish yoki biror funksiyani tanlash uchun zarur.
Xavfni bildiruvchi signalni o'chirishga mo'ljallangan.
- 13 **Tugmalarni qulflash funksiyasi**
Ushbu funksiya qo'shilgan vaqtda, boshqarish elementlarining ko'magida sozlamalarni bajarish mumkin emas.
- 14 **alarm off indikator**
Qurilma haddan tashqari iliq bo'lganida aks ettiriladi.
- 15 **Indikator alarm**
Agar muzlatish kamerasining harorati oshsa yoki eshigi uzoq vaqt ochiq qolsa, signal beriladi.
- 16 **freeze indikator**
Muzlatish kamerasi tanlanganida aks ettiriladi.
- 17 **Signal indikator**
Agar sovutish kamerasining eshigi uzoq vaqt davomida ochiq bo'lsa yonadi.
- 18 **cool indikator**
Sovutish kamerasi tanlanganida aks ettiriladi.

Qurilmani ishga qo`shing

1. Avval qurilmaning ortgi panelidagi ajratuvchiga vilkani o`rnatilgan. Vilka oxirigacha o`rnatilganiga ishonch hosil qiling.
2. So`ng kabelning boshqa uchini rozetkaga ulang.

Qurilma ishga tushgach, tovushli signal chalinadi.

Tovushli signalni o`chirish uchun $^{\circ}\text{C}$ tugmasini bosing.

Qurilma o`rnatilgan haroratga erishgandan so`ng alarm indikatorini yo`qoladi.

O`rnatilgan haroratga bir necha soat mobaynida erishiladi. Unga qadar muzlatgichka biror mahsulot qo`ymang. Ishlab chiqaruvchi korxonada tomonidan quyidagi harorat rejimi taklif qilingan:

- Muzlatish kamerasi: -18°C
- Sovitish kamerasi: $+4^{\circ}\text{C}$

Ishlatish bo`yicha ko`rsatmalar

- Sovutkichni ishga qo`shgach, belgilangan haroratga yetishish biroz vaqt talab qilishi mumkin.
- To`liq avtomatlashtirilgan NoFrost tizimi muzlatish kamerasini muzdan batamom xalos etadi. Muzni eritishning ortiq hojati yo`q.
- Eshik yopilgandan so`ng darhol ochilmasa, qisman vakuum balansga kelguniga qadar bir necha soniya kuting.
- Korpusning old qismi va yon devorlari ba`zan bir oz isiydi. Bu jarayon kondensatning paydo bo`lishini oldini oladi.

Temperaturani sozlash

4 rasmi

Sovutish kamerasi

$+2^{\circ}\text{C}$ dan $+8^{\circ}\text{C}$ gacha bo`lgan haroratga erishish mumkin.

1. $^{\circ}\text{C}$ tugmasi orqali sovitish kamerasini tanlang.
2. Istalgan harorat aks etgunga qadar $+/-$ tugmalarini bosing.

Nozik oziq-ovqatlarni $+4^{\circ}\text{C}$ baland temperaturada joylashtirmang.

Muzlatish kamerasi

-16°C dan -24°C gacha bo`lgan haroratga erishish mumkin.

1. $^{\circ}\text{C}$ tugmasi orqali muzlatish kamerasini tanlang.
2. Istalgan harorat aks etgunga qadar $+/-$ tugmalarini bosing.

Maxsus funksiyalar

4 rasmi

Soflik rejimi

Soflik rejimi iste`mol mahsulotlarining uzoq muddat saqlanishini ta`minlaydi.

Ishga qo`shish:

mode tugmasini fresh indikatorini yonguniga qadar bosib turing.

Qurilma avtomatik ravishda quyidagi haroratni o`rnatadi:

- Sovutish kamerasi: $+2^{\circ}\text{C}$
- Muzlatish kamerasi: o`zgarishsiz

O`chirish:

mode tugmasini fresh indikatorini o`chkuniga qadar bosib turing.

Eco rejimi

Eco rejimi ko`magida qurilmaning ish tartibini quvvat tejoyvchi ish rejimiga almashтира olasiz.

Ishga qo`shish:

mode tugmasini “eco mode” indikatorini yonguniga qadar bosib turing.

Qurilma avtomatik ravishda quyidagi haroratni o`rnatadi:

- Sovutish kamerasi: +8 °C
- Muzlatish kamerasi: -16 °C

O`chirish:

mode tugmasini “eco mode” indikatorini o`chkuniga qadar bosib turing.

Ta'til rejimi

Uzoq vaqt yo`q bo`lsangiz qurilmani energiyani tejaydigan ta'til rejimiga o`tkazishiniz mumkin.

Sovutqich kameraning temperaturasi avtomatik ravishda +14 °C o`tadi.

Shu vaqt ichida sovutqich kamerasiga oziq-ovqat solmang.

Ishga qo`shish:

mode tugmasini vacation indikatorini yonguniga qadar bosib turing.

Qurilma avtomatik ravishda quyidagi haroratni o`rnatadi:

- Sovutish kamerasi: +14 °C
- Muzlatish kamerasi: o`zgarishsiz

O`chirish:

mode tugmasini vacation indikatorini o`chkuniga qadar bosib turing.

Tugmalarni qulflash funksiyasi

Tugmalar majmuini amalda qo`llash va qo`llashni bekor qilish uchun 5 soniya mobaynida lock tugmasini bosib turing. Funksiyani qo`shgan vaqtda, indikator lock chirog`i yonadi.

Endi panel tugmalarning tasodifiy bosilishidan himoyalangan.

Panelni qulfdan chiqarish:

Panelni qulfdan chiqarish uchun lock tugmasini bosing.

Signal funksiyasi

Quyidagi holatlarda signal chalishi mumkin.

Eshik signali

Agar tegishli eshik uzoq vaqt ochiq qolgan bo`lsa, eshik signali qo`shiladi va 1 sovutish kamerasining displeyida yoki 3 muzlatish kamerasining alarm displeyida aks ettiriladi. Tegishli eshik yopilgandan so`ng eshik signali yana o`chadi.

Harorat signali

Uzuk-uzuk tovush signali chalinadi va 3 muzlatish kamerasining displeyida alarmaks ettiriladi.

Harorat signali muzlatish kamerasining harorati muzlatilgan mahsulotlar holatiga xavf tug`diradigan darajada yuqori bo`lganda qo`shiladi.

Muzlatilgan mahsulotlar uchun xatar bo`lmagan vaziyatda, signal quyidagi holatlarda qo`shilishi mumkin:

- Qurilmani ishga tushirish jarayonida.
- Yaxna mahsulotlar katta miqdorda bo`lganida.

Ko`rsatma:

Oz yoki to`liq erigan muzlatish mahsulotini boshqa muzlatmang. Faqat tayyor taomni tayyorlangandan so`ng (pishirilgan yoki qovurilgan) uni qayta muzlatish mumkin. Maksimal saqlash muddatini to`liq ishlatmang.

Displeyda 5 soniya mobaynida muzlatish kamerasidagi eng yuqori harorat aks etadi. Shundan so`ng yana o`rnatilgan harorat paydo bo`ladi.

Xavf-xatar signalini o`chirish

Ogohlantiruvchi signalni o`chirish uchun °C tugmasini bosing.

Foydali hajmi

Foydali hajmi haqida ma'lumotni qurilmadagi zavod tunukachasida topasiz. **14** rasmi

Muzlatish kamerasini to`liq hajmda foydalaning

Maksimal miqdordagi mahsulotlarni muzlatish uchun konteynerni olib tashlashingiz mumkin. Mazkur holatda mahsulotlarni bevosita maxsus tokchalarga va muzlatish kamerasining ostki qismiga qo`ya olasiz.

Ko`rsatma:

Oziq-ovqat bilan orqa devor bir-biriga tegmasligi kerak. Aks holda havo aylanishi yomonlashadi.

Oziq-ovqatlar yoki upakovkalar orqa devorda muzlab yopishishi mumkin.

Jihoz qismlarini chiqarish

Muzlatish mahsuloti konteynerini tiralgancha chiqarib oldida ko`tarib chiqaring. **10** rasmi

Sovutish kamerasi

Sovutish kamerasi go`sht, kolbasa, baliq, sut mahsulotlari, tuxum, tayyor taomlar va non-bulka mahsulotlarini saqlash uchun ideal joydir.

Ichiga narsa solishdan oldin quyidagilarga rioya qiling

- Yangi, butun oziq-ovqatlarni soling. Shunday qilib sifati bilan yangiligi uzoqroq saqlanadi.
- Tayyor mahsulotlarda va to`ldirilgan mahsulotlarda ishlab chiqaruvchi bergan minimal saqlash yoki iste`mol qilish sanasini inobatga oling.

- Hidini, rangini va yangiligini saqlash uchun, oziq-ovqatlarni yaxshi o`ralgan va yopiq holda soling. Sovutaish kamerasidagi ta`m o`tishlar va plastmassa qismlarning ranglari ozgarishiga shunday qilib yo`l qo`yilmaydi.
- Iliq ovqat va ichimliklarni bilan ichimliklarni oldin sovutib, keyin qurilmaga soling.

Ko`rsatma:

Havo chiqish teshiklarini oziq-ovqat bilan yopmang, shunday qilib havo aylanishiga ta`sir qilmaysiz. Havo teshiklarining oldida qo`yiladigan oziq-ovqatlarni chiqadigan sovuq havo sababidan muz bosishi mumkin.

Sovitish kamerasining sovitish zonalarini nazorat qilib turing

Muzlatgichda havo sirkulyatsiyasi yordamida turli sovuq darajasidagi zonalar yuzaga keladi:

- Eng sovuq zonalar havo chiqarish tirqichi yonida va sovuq bo`lmada bo`ladi, **11**/25 rasm.

Ko`rsatma:

Tez buziluvchan mahsulotlarni nisbatan sovuq zonalarda saqlang. (masalan: baliq, kolbasa, go`sht).

- Nisbatan iliq zonalar eshikning yuqori qismida bo`ladi.

Ko`rsatma:

Nisbatan iliq zonalarda qattiq xildagi pishloqlar yoki sariyog` singari oziq-ovqat mahsulotlarini saqlang. Qattiq xildagi pishloqlar o`zining xushbo`y hidini tarqatishda davom etadi, sariyog` esa yumshoqligicha saqlanib qoladi.

Namlikni tartiblagichi mavjud sabzavot konteyneri

8-rasm

Meva va sabzavotlarni muvofiq saqlash iqlimi bilan ta'minlash uchun sabzavot konteynerining havo namligini sozlashingiz mumkin:

- Asosan sabzavotlar, shuningdek aralash yuklash yoki oz miqdorli yuklashda – yuqori namlik
- Asosan mevalar, shuningdek ko'p miqdorli yuklashda – past namlik

Ko'rsatmalar

- Sovuqqa chidamli bo'lmagan meva (misol uchun, ananas, bananlar, Papaya va sitrus mevalari) va sabzavotlar (misol uchun, baqlajon, bodring, sukkin, bulg'or qalampiri, pomidor va kartoshkalar) sifatini va hidini saqlab qolish uchun sovitgich tashqarisida taxminan +8 °C va +12 °C orqlig'ida saqlanishi kerak.
- Saqlash hajmi va saqlash mahsulotiga bog'liq sabzavot konteynerida kondensat to'planishi mumkin. Kondensatni quruq latta bilan artib sabzavot konteyneridagi havo namligini namlik sozlagichi oqali moslashiring.

Saqlash uchun sovuq bo`lma

9 rasm

Sovuq bo`lma harorati sovitish kamerasi haroratidan ancha past. Selsiy shkalasi bo`yicha 0 °C dan past harorat ruxsat etilgan.

Bu baliq, go`sht va kolbasa mahsulotlarini saqlash uchun nihoyatda yaxshi. Salat, sabzavotlar va boshqa sovuqqa o`ta ta'sirchan mahsulotlarni saqlashga mo`ljallanmangan.

Sovuq bo`lmalar haroratini ventilyasion tuynuk orqali o`zgartirish mumkin. Haroratni pasaytirish uchun termoregulyatorni yuqoriga suring. Haroratni ko`tarish uchun termoregulyatorni pastga suring. **7-rasm**

Supermuzlatish

Supermuzlatishda sovitish kamerasi 6 soatgacha eng sovuq temperaturada sovuviadi. Shundan so`ng supermuzlatishdan oldin sozlangan temperaturaga o`tiladi.

Supermuzlatishni misol uchun

- katta miqdordai oziq-ovqatlarni solichdan avval
- ichimliklarni tez sovitish uchun yoqing.

Yoqish va o`chirish

4 rasm

1. °C tugmasi orqali sovitish kamerasini tanlang.
2. Super tugmasini bosning.
super cooling indikator yonadi.

Super-sovitish rejimini o`chirishingizga hojat yo`q.6 soatdan so`ng harorat avtomatik ravishda avvalgi o`rnatilgan haroratga almashadi.

Ko'rsatma:

Supersovutish yoqilgan bo'lsa ko'p ish shovqinlari chiqishi mumkin.

Muzlatish kamerasi

Muzlatish kamerasidan foydalanish

- muzlatilgan oziq-ovqatlarni saqlash uchun
- muz parchalarini yaratish uchun.
- oziq-ovqatlarni muzlatish uchun.

Ko'rsatma:

Muzlatish kamerasining eshigi doim yopiq bo'lishini ta'minlang! Eshik ochiq bo'lsa muzlatish mahsuloti erib muzlatish kamerasi qattiq muz bilan qoplanadi. Bundan tashqari: Yuqori tok ishlatilishi tufayli energiyani sarflash!

Maks. muzlatish quvvati

24 soat ichidagi maksimal muzlatish quvvati haqida ma'lumotni zavod tunukachasida topasiz. **14** rasmi

Maks. muzlash quvvati uchun dastlabki shartlar

- Supermuzlatishni yangi mahsulotni solishdan oldin yoqing (Supermuzlatish bobini ko'ring).
- Konteynerni olib tashlang; Oziq-ovqat mahsulotlarini bevosita mahsus tokchaga yoki muzlatish kamerasining ostki qismiga joylashtiring.
- Oziq-ovqatlarning katta sonini eng yuqori tokchada muzlating. U yerda ular juda tez va shunday qilib saqlanib muzlanadi.

Muzlatish va saqlash

Muzlagan mahsulotlarni sotib olish

- Upakovkasi shikastlanmasligi kerak.
- Saqlash muddatini inobatga oling.
- Sotish qutisining ichidagi temperatura -18 °C yoki undan sovuq bo'lishi kerak.
- Muzlatilgan taomni o'ralgan xaltada tashing va tez muzlatish kamerasiga soling.

O'rnatishda inobatga oling

- Oziq-ovqatlarning katta sonini eng yuqori tokchada muzlating. U yerda ular juda tez va shunday qilib saqlanib muzlanadi.
- Oziq-ovqatlarni tokchalar yoki muzlatish konteynerlarida yoying.

Ko'rsatma:

Muzlatilgan oziq-ovqatlarni endi muzlatiladigan oziq-ovqatlarga tegishi mumkin emas. Kerak bo'lsa muzlab bo'lgan oziq-ovqatlarni muzlagan mahsulot konteyneriga soling.

Muzlatiladigan mahsulotni saqlash

Qurilma ichida havo aylanishini ta'minlash uchun, muzlagan mahsulot konteynerini tiralgancha soling.

Yangi oziq-ovqatlarni muzlatish

Muzlatish uchun faqat yangi va benuqson oziq-ovqatlarni ishlatish.

Ovqatlanish qiymatini, hidi va ranglarini saqlab qolish uchun sabzavotlarni muzlatishdan oldin bug'lash kerak.

Baqlajon, bulg'or qalampiri, tsukkini va sarsabilni bug'lash kerak emas.

Muzlatish va bug'lash haqidagi adabiyotni kitob do'konlarida topasiz.

Ko'rsatma:

Muzlanadigan taomlar muzlab bo'lgan taomlarga tegmasligi kerak.

- Muzlash uchun mos keladi:
Non-bulka mahsulotlari, baliq va dengiz mevalari, go'sht, yovvoyi hayvonlar, tovuq, sabzavot, meva, ko'katlar, tuxum qobig'isiz, sut mahsulotlari, misol uchun, pishloq, sariyog' va qatiqlar, tayyor taomlar va taomlar qoldiqlari, misol uchun, sho'rva, quyuq sho'rvalar, pishirilgan go'sht va baliqlar, kartoshka taomlari, sufle nad shirin taomlar.
- Muzlash uchun mos kelmaydi:
Odatda xom yeyiladigan samzavot turlari, misol uchun salat yoki rediska, tuxum qobog'i bilan, uzum, butun olmalar, noklar va yangi, qattiq tuxumlar, yogurt, chuchuk qatiq, quyuq qaymoq, krem-fresh va mayonez.

Muzlatiladigan mahsulotni o'rash

Oziq-ovqatlarni havo kirmaydigan qilib o'rang, shunday qilib ta'mi yo'qolmaydi yoki qurib qolmaydi.

1. Oziq-ovqatlarni upakovkasiga soling.
2. Havoni qisib chiqaring.
3. Upakovkani tig'iz yoping.
4. Upakovkani tarkibini va muzlatish sanasini yozing.

Qadoqlash qoplamasi sifatida quyidagi mahsulotlar mos keladi:

Polietilen xalta, tutqichli yelim xalta, zar qog'oz va muzlatgich konteynerlari. Ushbu mahsulotlarni ixtisoslashgan do'konlardan topishingiz mumkin.

Qadoqlash qoplamasi sifatida quyidagi mahsulotlar mos kelmaydi:

O'rash qog'ozlari, pergament qog'oz, sellofan, axlat xaltalari va foydalanilgan xarid xaltalari.

Qadoqlash uchun ushbu mahsulotlar mos keladi:

Rezina halqa, plastik qisqichlar, arqon, sovuqqa chidamli yopishqoq tasma va shu kabilar.

Polietilen xalta va tutqichli yelim xaltalarni qadoqlash xaltalarini payvandlash uskunasi yordamida yaxlitlash mumkin.

Muzlatish mahsulotining saqlash muddati

Saqlash muddati oziq-ovqat turiga bog'liq.

-18 °C temperaturasida:

- Baliq, kolbasa, tayyor taomlar, non-bulka mahsulotlari:
6 oygacha
- Pishloq, tovuq, go'sht:
8 oygacha
- Sabzavot, mevalar:
12 oygacha

Supermuzlatish

Oziq-ovqatlar tezda mag'izigacha muzlashi kerak, shunday qilib vitaminlar, ovqatlanish qiymatlari, ko'rinishi va ta'mi saqlanadi.

Yangi oziq-ovqatlarni solishdan oldin supermuzlatishni yoqing, shunday qilib istalmagan temperatura ko'tarilishining oldini olasiz.

Umumiy holatda 4-6 soat yetarlik bo'ladi. Qurilma yoqilgandan so'ng doim ishlaydi, muzlatish kamerasida juda sovuq temperatura hosil bo'ladi.

Maks. muzlatish quvvatidan foydalanish uchun supermuzlatishni yangi oziq-ovqatlarni solish dan 24 soat oldin yoqing. Kichik oziq-ovqat hajmlari (2 kg-gacha) supermuzlatishsiz muzlashi mumkin.

Ko'rsatma:

Supermuzlatish yoqilgan bo'lsa ko'p ish shovqinlari chiqishi mumkin.

Yoqish va o'chirish

4 rasm

1. °C tugmasini bosish orqali muzlatish kamerasini tanlang.
2. Super tugmasini bosing.
super freezing indikator yonadi.

Super-muzlatish rejimini o'chirishingizga hojat yo'q. Taxminan 2 ½ kundan so'ng harorat avtomatik ravishda avvalgi o'natilgan haroratga almashadi.

Muzlatish mahsulotini eritish

Turi va foydalanish maqsadi bo'yicha quyidagi imkoniyatlardan tanlash mumkin:

- xona temperaturasida
- sovutgichda
- elektr pechda, issiq havo ventilyatori bilan/siz
- Mikroto'lqinli qurilmada



Diqqat!

Oz yoki to'liq erigan muzlatish mahsulotini boshqa muzlatmang. Faqat tayyor taomni tayyorligandan so'ng (pishirilgan yoki qovurilgan) uni qayta muzlatish mumkin. Muzlatish mahsulotining maksimal saqlash muddatini to'liq ishlatmang.

Jihozlanish

Tokchalar bilan konteynerlar

Ichki kamera tokchalari bilan konteynerlarini talabga muvofiq o'zgartirish mumkin: Tokchani oldinga tortib, tushiring va yonga qayiring. Konteynerni ko'tarib chiqaring.

Maxsus jhozlar

(hamma modellarda emas)

Sariyog' va pishloq tokchasi

Sariyog' bo'limi qopqog'ining o'rtasiga asta bossangiz sariyog' bo'limi ochiladi.

Bo'limni tozalash uchun pastda ko'tarib chiqaring.

Nonushta konteyneri

5 rasm

Nonushta konteynerlarini alohida olib, to'ldirishga bo'ladi.

Nonushta konteynerini to'ldirish yoki bo'shatish uchun olishingiz mumkin. Buning uchun nonushta konteynerini o'zgina ko'tarib turib, chiqarib olish kerak. Konteyner tutqichining joyini o'zgartirishingiz mumkin.

Shishalar uchun maxsus tokcha

6 Rasm

Shishalarga mo'ljallangan maxsus tokchada shishalarni mutlaqo xavfsiz saqlay olasiz.

Muz idishi

13 rasmi

1. Muz idishini $\frac{3}{4}$ -ga ichish suvi bilan to'ldirib muzlatish kamerasiga soling.
2. Muzlab qotgan muz idishini faqat o'tmas narsa bilan bo'shating (qoshiq dastasi bilan).
3. Muz parchalarini ajratish uchun muz idishini oqqan suvda ushlang yoki asta burang.

Muzlatish kalendari

12 rasmi

Muzlatilgan mahsulotning sifati pasaymasligi uchun saqlash muddatidan ortiq saqlamang. Belgilarning yonidagi raqamlar muzlatilgan mahsulot uchun ruxsat etilgan saqlash muddatini anglatadi. Odatdagi muzlatilgan mahsulotlarda ishlab chiqarish va saqlash sanasini inobatga oling.

Sovuqlik akkumulyatori

Tok o'chganda yoki nosozlik paydo bo'lganda sovuqlik akkumulyatori solingan muzlatilgan mahsulotning ilishini sekinlashtiradi. Sovuqlik akkumulyatorini eng yuqori tokchadagi oziq-ovqatlar ustiga qo'ysangiz eng uzoq saqlash vaqtiga yetasiz.

Sovuqlik akkumulyatorini oziq-ovqatlarni qisqa vaqt, misol uchun, sovutish sumkasida saqlash ushunchi chiqarish mumkin.

“OK” nakleykasi

(muayyan modellarda)

“OK” nakleykasi yordamida muzxonada oziq-ovqatlar uchun xavfsiz bo'lgan $+4\text{ }^{\circ}\text{C}$ yoki undan pastroq harorat diapazoniga rioya qilinayotganini tekshirib ko'rishingiz mumkin. Agar nakleykada “OK” yo'q bo'lsa, haroratni bosqichma-bosqich tushiring.

Ko'rsatma:

Jihoz endi ishga tushirilgan bo'lsa, belgilangan haroratga yetishga 12 soatgacha vaqt ketishi mumkin.



To'g'ri sozlash

Qurilmani o'chirib to'xtatish

Qurilmani o'chirib qo'yning

“+” tugmasini 10 soniya mobaynida bosib turing. Muzlatgich o'chadi.

Qurilmani o'chirish

Agar siz qurilmani uzoq vaqt mobaynida foydalanmasangiz:

1. Vilkaning sug'urib tashlang yoki saqlagichni o'chirib qo'yning.
2. Qurilmani yuving.
3. Qurilmaning eshiklarini ochiq holda qoldiring.

Ko'rsatma:

Qurilmaga zarar yetishining oldini olish uchun qurilma eshiklari ochila olish imkonini qadar ochilishi kerak. Eshik ochiq holda bo'lishi uchun eshik tirqichiga biror buyumni qistirmang.

Qurilmani tozalash

Diqqat!

- Tarkibida qum, xlor yoki kislota bor tozalash va eritish qurilmasidan foydalaning.
- Ishqalaydigan yoki qiradigan gubkalardan foydalaning.
Metall yuzalarni zang bosishi mumkin.
- Tokcha va konteynerlarni idish yuvish mashinasida yuvmang.
Qismlar shakli o'zgarishi mumkin!

Yuvish jarayonida suv quyidagi bo`lmalarga tushmasligi kerak:

- Boshqaruv elementlari
- Yoritish moslamasi
- Ventilyasion tuynuklar
- Ajratuvchi plastinadagi tirqichlar

Quyidagi tartibda bajaring:

1. Vilkanini sug`urib oling yoki saqlagichni o`chiring.
2. Muzlatilgan mahsulotlarni chiqarib oling va salqin joyda saqlang. Xladagent bo`lgan holda, uni mahsulotlarning ustiga qo`ying.
3. Suvning boshqaruv va yoritish elementlariga, ventilyatsion tirqichka yoki to`siq moslama tirqichiga tushishiga yo`l qo`ymang!
Qurilmani yumshoq mato, suv va pH neytral darajadagi yuvish vositasi yordamida yuving.
4. Eshik zichlagichini toza suv bilan yuving va yaxshilab quriting.
5. Tozalashdan so`ng qurilmani qayta ishga qo`shing.
6. Muzlatilgan mahsulotlarni qayta soling.

Jihozlanish

Tozalash uchun qurilmaning barcha yechiladigan qismlarini chiqaring.

Eshikdagi tokchalarni chiqarish

3 rasmi

Tokchalarni yuqoriga ko'tarib chiqaring.

Oynali tokchalarni chiqarish

Oynali tokchalarni oldinga tortib chiqarish.

Konteynerlarni chiqarish

9 rasmi

Konteynerini tiralgancha tortib oldida ko'tarib chiqaring.

Muzlatilgan mahsulot konteynerini chiqarish

10 rasmi

Muzlatish mahsuloti konteynerini tiralgancha chiqarib oldida ko'tarib chiqaring.

Sabzavot konteynerining ustidagi oynali tokchani chiqarish

11 rasmi

Oynali tokchani tozalash uchun olib ajrating.

Ko`rsatma:

Sabzavot konteynerining oynali tokchasini olishdan oldin tortib oling.

Chiroq (LED)

Qurilma xizmat ko'rsatishni talab qilmaydigan LED chirog'i bilan jihozlangan.

Uni ta'mirlash ishlarini faqat mijozlar xizmati yoki vakolatli mutaxassis amalga oshirishi mumkin.

Energiyani tejash

- Qurilmani quruq havosi almashadigan xonada o'rning. Qurilma bevosita oftobga yoki issiqlik manbasining (misol uchun, radiator, plita) oldiga turishi mumkin emas.
Kerak bo'lsa izolyasiya plitasini ishlating.
- Iliq oziq-ovqatlar bilan ichimliklarni oldin sovutib, keyin qurilmaga soling.
- Muzlagan mahsulotni eritish uchun sovutish kamerasiga soling va mahsulotning sovuqligini oziq-ovqatlarni sovutish uchun ichlating.
- Qurilmani qisqa oching.
- Elektr quvvati iste'molini kamaytirish uchun devor tomonlaridan qisqa masofa qoldirishga rioya qiling.
- Jihoz qismlarini o'rnatish qurilmaning energiyani iste'mol qilishiga ta'sir qilmaydi.

Ish shovqinlari

Odatdagi shovqinlar

Ko'rsatma:

Intensiv muzlatish funksiyasi ishlab turgan paytda qurilmaning ish jarayonida chiqaradigan shovqini yanada ortishi mumkin.

G'uldurash

Motorlar ishlab turibdi (misol uchun, sovutish agregatlari, ventilyator).

Vaqiraydigan, g'uvullaydigan yoki sharqiraydigan shovqinlar

Xladagent quvurlardan oqib turibdi.

Chertkilar

Motor, o'chirgich yoki magnitli ventillar yoqiadi/o'chiriladi.

Garchillash

Avtomatik erish o'rin oladi.

Shovqinarning oldini oling

Qurilma tekiz turmagan

Qurilmani uroven yordamida to'g'rilang. Buning uchun rezbali oyoqlarni ishlating yoki oz pastga o'rning.

Qurilma "yaqin turibdi"

Qurilmani yaqin turgan mebel yoki qurilmalardan uzoqlashtiring.

Konteynerlar yoki tokchalar qimillab yoki qisilib turibdi

Olinadigan qismlarni tekshirib kerak bo'lsa qayta o'rning.

Shishalar yoki idishlar bir-biriga tegib turibdi

Shishalar yoki idishlarni bir-biridan ajrating.

Kichik nosozliklarni mustaqil ravishda bartaraf qilish

Mijozlar xizmatiga qo'ng'iroq qilishdan oldin:

Nosozlikni quyidagi ko'rsatmalar asosida bartaraf qilib ko'ring.

Mijozlar xizmatining maslahat beish xizmati uchun kafolat – muddatining ishida ham to'lashingiz lozim!

Nosozlik	Mumkin sababi	Yordam
Temperatura sozlangandan qattiq farq qilib turibdi.		Birnecha holatlarda qurilmani 5 daqiqaga o'chirish ham yetarlik bo'ladi. Temperatura juda iliq bo'lsa, bir necha soatdan so'ng temperatura yaqinlashganini tekshiring. Agar temperatura juda sovuq bo'lsa, uni keyingi kunda yana bir bor tekshiring.
Sovutish kamerasida yoki sovuq bo`lmada haddan tashqari sovuq.		Sovutish kamerasida haroratini yuqoriroq o`rnatning. Sovituvchi bo`lma uchun pastga suring. 7 -rasm
Muzlatqich kamerada juda issiq.	Qurilmaning tez-tez ochilishi. Havo kirgizish va chiqarish teshiklari to'silgan. Yangi oziq-ovqatlarning katta hajmlarini muzlatish.	Qurilmani keak bo'lmasa ochmang. To'sgan narsalarni olib tahlang. Maks. muzlatish imkoniyatidan oshib ketmang.
Qurilma sovitmayapti, indikator va chiroqlar yonib turibdi.	Ko`rgazma rejimi amalda.	°C tugmasi va + o`rnatish tugmasini tasdiq signali chalingunga qadar 5 soniya mobaynida bosib turing. Tugmalarni qo'yib yuborgandan keyin tasdiq signali chalinadi. Biroz vaqtdan so`ng qurilma sovutishni boshlaganini tekshirib qo`ying.
Jihozning yon devorlari issiq bo'ladi.	Yon devorlarda sovutish jarayonida isiydigan quvurlar o`rnatilgan.	Bu qurilma uchun tabiiy hol, xavotirga o`rin yo`q. Jihoz tekkanida mebel issiqdan shikastlanmaydi.

Nosozlik	Mumkin sababi	Yordam
Chiroq ishlamayapti.	LED chiroqlar nosoz. Qurilma ko'p vaqt ochiq bo'lgan. Chiroqlar taxm. 10 daqiqadan so'ng o'chiriladi.	Chiroqlar bobini (LED) ko'ring. Qurilmani yopib ochishdan so'ng chiroqlar yana yoqiladi.
Hech bir indikator yonmay turibdi.	Tok o'chdi; saqlagich ishga tushdi; tarmoq shtekeri mahkam turmagan.	Tarmoq shtekerini qo'shish. Tok borligini tekshiring, saqlagichlarni tekshiring.
Muxzona eshgi uzoq ochiq qolgan; Kerakli haroratga yetilmaydi.	Bug'latgichda (sovuqlik generatorida) NoFrost tizimida ko'p muz yig'ilib qoldi, u avtomatik tarzda erimaydi.	Bug'latgichni muzdan tushirish uchun muzlatilgan mahsulotlarni qutisi bilan chiqarib olib, salqin joyga qo'yilishi kerak. Jihozni o'chirib, devordan uzoqroqqa surib qo'ying. Jihoz eshigini ochiq qoldiring. 20 daqiqalardan so'ng jihozning orqa panelidagi taglikka suv sizib chiqa boshlaydi. Taglik to'lib ketmasligi uchun suvni gubka yordamida shimib oling. Taglikka suv chiqmay qolsa, bug'latgich erib bo'lgan bo'ladi. Jihozning ichki qismini tozalang. Endi yana jihozdan foydalanish mumkin.
Qurilma yuzasida va tokchalarida kondensat hosil bo'ladi.	Tevarak-atrofdagi iliq va nam havo jarayonni tezlashtiradi.	Suvni yumshoq, quruq mato bilan artib oling. <ul style="list-style-type: none"> ■ Qurilmani iloji boricha ozgina oching ■ Qurilma doim to'g'ri yopilgan ekanligiga e'tibor bering.

Qurilma o'zini tekshirishi

Qurilmangizda avtmatik o'zini tekshirish dasturi bor bo'lib, u sizga faqat mijozlar xizmati orqali bartaraf qilinadigan xatoliki manbalarini ko'rsatadi.

Qurilmaning o`z-o`zini tekshirish funksiyasini ishga tushuring

1. Qurilmani o`chiring va 5 daqiqa kuting.
2. Qurilmani o`chiring va tovush signali chalingunga qadar ilk 10 soniya mobaynida °C tugmasini va 3-5 soniya mobaynida o`rnatuvchi “-“ tugmani bosib turing.

O`z-o`zini tekshirish dasturi ishga tushdi.

O`z-o`zini tekshirish dasturi yakunlangach, ikki tovush signali chalinsa, demak qurilmangizda nosozliklar yo`q. 5 tovush signali nosozliklardan darak beradi. Xizmat ko`rsatish markaziga murojaat qiling.

Qurilma o'zini tekshirishni tugatishi

Dastur tugaganidan so'ng qurilma odatdagi ishiga qaytadi.

Mijozlarga xizmat ko'rsatish markazi

Hududingizdagi mijozlarga xizmat ko'rsatish markazi haqidagi axborotni telefon kitobchasidan yoki mijozlarga xizmat ko'rsatish markazlarining ma'lumotnoma kitobchasidan qarang. Mijozlarga xizmat ko'rsatish markaziga mahsulotning tartib raqami (E-Nr.) va zavodda berilgan tartib raqamini (FD-Nr.) xabarlang.

Mazkur axborotni zavod tomonidan yopishtirilgan ma'lumot taxtachasidan ko'rishingiz mumkin. **14**-rasm

Xizmat ko'rsatish markazi bilan ortiqcha aloqalarning oldini olish maqsadida mahsulotning raqami va seriya raqamini ko'rsating. Shu orqali ushbu muammo bilan bog'liq bo'lgan qo'shimcha harajatlarni tejashingiz mumkin.

Nosozliklardagi tuzatish buyurtmasi bilan maslahat xizmati


Barcha mamlakatlarning kontakt ma'lumotlarini komplektdagi mijozlar xizmatlari ro'yixatidan topasiz.

უსაფრთხოებისა და გაფრთხილების მითითებები

სანამ დანადგარს ექსპლუატაციაში ჩაუშვებდეთ

ყურადღებით წაიკითხეთ მოხმარებისა და მონტაჟის ინსტრუქციები! თქვენ მიიღებთ მნიშვნელოვან ინფორმაციას დანადგარის დაყენების, მოხმარებისა და ტექნიკური მომსახურების შესახებ. მწარმოებელი არ აგებს პასუხს, თქვენს მიერ, მოხმარების ინსტრუქციებისა და გაფრთხილებების უგულებელჰყოფის შემთხვევაში. შეინახეთ ყველა დოკუმენტი შემდგომი გამოყენებისათვის ან შემდგომი მფლობელისათვის.

ტექნიკური უსაფრთხოება

 ხანძრის საფრთხე მაგრილებელი წრედის მილებში მიედინება მცირე რაოდენობის გარემოსათვის უსაფრთხო, მაგრამ აალებადი მაგრილებელი სითხე (R600a). ის არ აზიანებს ოზონის შრეს და არ ქმნის სათბურის ეფექტს. საგრილებელი საშუალების გადმოსვლისას, მას შეუძლია თვალების დაზიანება ან ანთებითი პროცესი გამოიწვიოს.

დაზიანებისას,

- დანადგარი მოარიდეთ ღია ცეცხს ან ალის წყაროებს.
- ოთახი, რამოდენიმე წუთის მანძილზე კარგად გაანიავეთ.
- ჯარგად გამორთეთ და შტექერი გამოაერთეთ.
- შეატყობინეთ კლიენტთა მომსახურების სამსახურს.

რაც უფრო მეტი მაგრილებელი საშუალება არის დანადგარში, მით უფრო დიდი უნდა იყოს ოთახი, რომელშიც დანადგარი მდებარეობს. პატარა ოთახებში შესაძლოა მოხდეს აალებადი გაზისა და ჰაერის ნარევის დაგროვება.

8 გრ მაგრილებელ საშუალებას უნდა შეესაბამებოდეს სულ მცირე 1 მ³ ოთახი. დანადგარში არსებული მაგრილებელი საშუალების რაოდენობა შეგიძლიათ იხილოთ მაცივრის შიგნით მდებარე ტიპის აღწერილობაზე.

დანადგარის დაყენებისას ყურადღება მიაქციეთ, რომ ქსელის გაყვანილობა არ მოიჭეჭყოს ან დაზიანდეს. თუ დაზიანდა დანადგარის ქსელის გაყვანილობა, საჭიროა მისი ჩანაცვლება მწარმოებლის, კლიენტთა მომსახურების ან მსგავსად კვალიფიცირებული პირის მიერ. არასათანადო მონტაჟსა და შეკეთებას შეუძლია მომხმარებლისათვის მნიშვნელოვანი საფრთხის წარმოქმნა.

სარემონტო სამუშაოები უნდა მოხდეს მწარმოებლის, კლიენტთა მომსახურების სამსახურის ან მსგავსად კვალიფიცირებული პირის მიერ. დასაშვებია, მხოლოდ მწარმოებლის ორიგინალი ნაწილები. მხოლოდ ამ ნაწილების შემთხვევაში სრულდება მწარმოებლის მიერ დადგენილი უსაფრთხოების დებულებები.

არასოდეს გამოიყენოთ მრავლობითი შტეფსელები, დამაგრძელებელი კაბელი ან გადამყვანი.



ხანძრის საფრთხე

პორტატულ მრავლობით შტეფსელებს, ისევე როგორც პორტატულ ქსელის ნაწილებს გადახურება და ამით ხანძრის გამოწვევა შეუძლიათ. ნუ მოათავსებთ დანადგარის უკან პორტატულ მრავლობით შტეფსელებს ან ქსელის ნაწილებს.

გამოყენებისას

- დანადგარის შიგნით არასოდეს გამოიყენოთ ელექტრო მოწყობილობები (მაგ : გამათბობელი, ყინულის ელექტრო მოსამზადებელი და სხვა). აფეთქების საფრთხე !
- მაღალპროცენტული ალკოჰოლი მხოლოდ მჭიდროდ დახურულ და ვერტიკალურ პოზიციაში შეინახეთ .

- არასოდეს დაადნოთ ან გაწმინოთ ორთქლის საწმენდი დანადგარით ! ორთქლს შეუძლია ელექტრულ ნაწილებზე წვდომა და მოკლე ჩართვის გამოწვევა . ელექტრო შოკის საფრთხე !
- არ გამოიყენოთ მრავლობითი შტეფსელები, დამაგრძელებლები ან გადამყვანები . დაღვობის დაჩქარების მიზნით, ნუ გამოიყენებთ მწარმოებლის მიერ მითითებულის გარდა სხვა დამატებით ღონისძიებებს . აფეთქების საფრთხე !
- არ გამოიყენოთ ბასრი ან წვეტიანი საგნები ყინულის ფენის მოშორებისათვის. ამით, შესაძლოა გამყინი მილები დააზიანოთ . გამყინავი საშუალების გამოყონვამ შესაძლოა ანთებითი პროცესები და თვალების დაზიანება გამოიწვიოს .
- არ შეინახოთ აალებადი აირები (მაგ . აეროზოლები) და ფეთქებადი ნივთიერებები . აფეთქების საფრთხე !
- არასოდეს დახუროთ ან დაბლოკოთ სავენტილაციო ღიობები .
- ბაზა, უჯრები, კარები და სხვა არ გამოიყენოთ საყრდენად ან სამაგრად .

■ **ბავშვებისა რისკის ქვეშ მყოფი პირებისათვის საფრთხის თავიდან აცილება:**

რისკის ქვეშ მყოფი პირებში იგულისხმებიან ბავშვები და ადამიანები, რომლებიც ფიზიკურად, გონებრივად თუ ფსიქიკურად არიან შეზღუდულნი, ისევე როგორც პირები, რომლებსაც არ გააჩნიათ საკმარისი ცოდნა დანადგარის მოხმარების შესახებ.

დარწმუნდით, რომ ბავშვებს და რისკის ქვეშ მყოფ პირებს ესმით არსებული საფრთხე.

უსაფრთხოებაზე პასუხისმგებელი ერთი პირი ბავშვებსა და რისკის ქვეშ მყოფ პირებს დანადგართან უნდა ახლდეს ან გაუწიოს ზედამხედველობა.

დანადგარის გამოყენება ნებადართულია არაუმცირეს 8 წლის ასაკის ბავშვებში.

მოარიდეთ ბავშვები გაწმენდით და ტექნიკურ სამუშაოებს.

არასოდეს მისცეთ უფლება ბავშვს ითამაშოს დანადგართან.

- გაღობისა და გაწმენდისას, კვების შტეკერი გამოაერთეთ ან გათიშეთ დამცავები. გამოჰქაჩეთ საკვები შტეკერიდან და არა შეერთების კაბელიდან.

- პლასტმასის ნაწილები და კარის იზოლაცია არ გაპოხოთ ცხიმით ან ზეთით. წინააღმდეგ შემთხვევაში პლასტმასის ნაწილები და კარის იზოლაცია გახდება ფოროვანი.

- საყინულეში არ განათავსოთ სითხე ბოთლში ან ქილაში (განსაკუთრებით თუკი ის ნახშიროჟანგს შეიცავს). ბოთლები და ქილები შესაძლოა დასკდნენ!

- გაყინული პროდუქტი არასოდეს ჩაიდოთ პირში საყინულედან გამოღებისთანავე. ყინულით დამწვრობის საფრთხე!

- მოერიდეთ გაყინულ პროდუქტებთან, ყინულთან ან გამყინ მილებთან ხელით ხანგრძლივ შეხებას. ყინულით დამწვრობის საფრთხე!

ბავშვები ყოფაცხოვრებაში

- არ გადასცეთ შეფუთვა და მისი ნაწილები ბავშვებს. შესაფუთი მასალა და ფურცლები, დახრჩობის საფრთხეს ქმნის!

- დანადგარი არ არის ბავშვების სათამაშო!

- დანადგარი, კარის საკეტი: გასაღები, ბავშვებისაგან მიუწვდომლად შეინახეთ!

ზოგადი დებულებები

დანადგარი განკუთვნილია

- საკვები პროდუქტების გაციებისა და გაყინვისათვის ,
- ყინულის მომზადებისათვის ,

ეს დანადგარი განკუთვნილია სახლში მოხმარებისათვის, კერძო საკუთრებისა და სახლის გარემოსათვის .

სამაცივრე ციკლი შემოწმებულია ჰერმეტიულობაზე .

ეს დანადგარი აკმაყოფილებს ელექტრომოწყობილობებისათვის შესაბამის უსაფრთხოების დებულებებს დაცულია რადიოსიხშირის ზემოქმედებისაგან .

ამ დანადგარის გამოყენება დასაშვებია , ზღვის დონიდან მაქს . 2000 მეტრის სიმაღლეზე .

გადაგდების მითითებები

შეფუთვის გადაგდება

შეფუთვა იცავს თქვენს დანადგარს ტრანსპორტირებისას დაზიანებისაგან . ყველა მასალა ეკოლოგიურად სუფთა და მეორადად გამოყენებადია . გთხოვთ , თქვენს დაგვენმარეთ : გადააგდეთ შეფუთვა გარემოსადმი ზიანის მიყენების გარეშე .

აქტუალური გადაგდების საშუალებებისათვის მიიღეთ ინფორმაცია თქვენს სავაჭრო წერტილში ან ადგილობრივ სამმართველოში .

გადააგდეთ ძველი დანადგარი

ძველო დანადგარები არ არის უმნიშვნელო ნაგავი ! გარემოს დაცვითი გადაგდებისას , შესაძლებელია ძვირფასი ნივთიერებების ხელახლა გამოყენება .



ეს დანადგარი აღნიშნულია ელექტრო და ელექტროლი დანადგარების (ელექტრო ნარჩენები და ელექტრონული აღჭურვილობები WEEE) ევროპის 2012/19/EU რეგულაციების შესაბამისად .

ევროპის ფარგლებში , ეს რეგულაციები იძლევა ძველი დანადგარების უკან დაბრუნებისა და შეფასების საშუალებას .



გაფრთხილება

დიდი ხნის მოხმარებული დანადგარებისას

1. გამოსწიეთ ქსელის შტეკერი .
2. მოხსენით შემაერთებული კაბელი და დააცალკევეთ ის ქსელის შტეკერისაგან .
3. არ გამოიღოთ თაროები და რეზერვუარები , რათა , ბავშვების შეძრომა აირიდოთ თავიდან .
4. არ მისცეთ ბავშვებს ნება , ითამაშონ დაძველებული დანადგარით . დაზრჩობის საფრთხე !

გამაგრილებელი საშუალებები შეიცავენ მაგრილებელ ნივთიერებას და მასში იზოლირებულ გაზებს . გასასვრილებელი საშუალება და გასები შესაბამისი სათანადო წესით უნდა განადგურდეს . მაგრილებელი საშუალების წრიული დინების მიღები სპეციალური ხელოსნის დონის მეშვეობით დაუზიანებლად მოხნებით .

მოწოდების მოცულობა

განფუთვისას შეამოწმეთ ყველა ნაწილი ტრანპორტირების დაზიანებაზე .

დაზიანების შემთხვევაში მიმართეთ სავაჭრო ობიექტს , სადაც აღნიშნული შეიძინეთ ან ჩვენს კლიენტთა მომსახურების სამსახურს .

მოწოდება შედგება შემდეგი ნაწილებისაგან :

- დასადგამი დანადგარი
- აღჭურვილობა (მოდელის შესაბამისი)
- სამონტაჟო მასალების ტომარა
- მოხმარების ინსტრუქცია
- მონტაჟის ინსტრუქცია
- კლიენტთა მომსახურების ჟურნალი
- გარანტიის ფურცელი
- ინფორმაცია ენერგომოხმარების და ხმაურის შესახებ

განთავსების ადგილი

განთავსების ადგილად მიზანშეწონილია მშრალი , კარგად განიავებადი ოთახი .

განთავსების ადგილი არ უნდა მდებარეობდეს მზის უშუალო გამოსხივების ქვეშ და არც სითბოს წყაროს სიახლოვეს , როგორც არის ღუმელი , გამათბობელი და სხვ . თუკი სითბოს გამომცემ წყაროს გვერდზე განთავსება გარდაუცალაია , გამოიყენეთ შესაბამისი საიზოლაციო დაფა ან დაიცავით მინიმალური დისტანციები :

- ელექტრო და გაზის ქურებთან 3 სმ .
- ზეთისა და ნახშირის ქურებთან 30 სმ .

არ დათმეთ განთავსების ადგილის იატაკი. გამყარეთ იატაკი . იატაკის სავარაუდო არათანაბარი სისწორე , ქვეშ საგებებით გამყარეთ .

კედლის დისტანცია

დანადგარი ისე განათავსეთ , რომ კარის გაღების კუთხე 90° შეესაბამებოდეს .

ყურადღება მიაქციეთ ოთახის ტემპერატურას და ვენტილაციას

ოთახის ტემპერატურა

დანადგარი განკუთვნილია კონკრეტული კლიმატური კლასისათვის . კლიმატურ კლასზე დაყრდნობით , შესალებელია დანადგარის ექსპლუატაცია ოთახის შემდეგ ტემპერატურებზე .

კლიმატური კლასის ნახვა შესაძლებელია სანიშნე ბრაზე , სურათი **1**.

კლიმატური კლასი	დასაშვები ოთახის ტემპერატურა
SN	+10 °C- დან 32 °C- მდე
N	+16 °C- დან 32 °C- მდე
ST	+16 °C- დან 38 °C- მდე
T	+16 °C- დან 43 °C- მდე

მითითებები

დანადგარი , მითითებული კლიმატური კლასის ოთახის ტემპერატურის ფარგლებში სრულიად ფუნქციონალურია. თუ SN კლიმატური კლასის დანადგარი უფრო ცივ ოთახის ტემპერატურაზე ფუნქციონირებს , შესაძლოა +5 °C- მდე ტემპერატურისას დაზიანებები გამოიწვიოს .

ვენტილაცია

სურათი **2**

დანადგარის უკანა კედელზე და გვერდითა კედლებზე , ჰაერი თბება . გამთბარი ჰაერი დაუბრკოლებლად უნდა გაედინებოდეს . მაგრილებელი მეტად უნდა იტვირთებოდეს . ეს წრდის ენერჯის მოხმარებას . ამიტომ : არასოდეს დახურეთ ან დაბლოკოთ სავენტილაციო ლიობები !

დანადგარის შეერთება

დანადგარის გამართვიდა , მინ . 1 საათი დაელოდეთ , სანამ მას ექსპლუატაციაში ჩაუშვებდეთ . ტრანსპორტირებისას , შესაძლებელია , რომ შემადგენელი ზეთი , მაგრილებელი სისტემაში ჩასქელდეს . პირველ ექსპლუატაციამდე , საფუძვლიანად გაწმინდეთ შიდა სივრცე (იხილეთ დანადგარის გაწმენდის თავი) .

ელექტრული შეერთება

შტეფსელი დანადგართან ახლოს უნდა მდებარეობდეს და დანადგარის დაყენების შემდეგ იოლად მიდგომადი უნდა იყოს .

გაფრთხილება

ელექტრო შოკის საფრთხე !
თუ ქსელის გაყვანილობის სიგრძე არ არის საკმარისი , არავითარ შემთხვევაში არ გამოიყენოთ მრავალ ჩამრთველი ან დამაგრძელებელი კაბელი . ამის ნაცვლად , ალტერნატივისათვის დაუკავშირდით კლიენტთა მომსახურების სამსახურს .

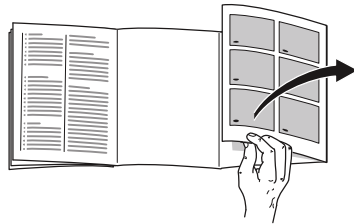
დანადგარი შეესაბამება უსაფრთხოების I კლასს . უსაფრთხოების ზომების დაცვით დაყენებული შტეფსელში დანადგარი 220–240 ვ /50 ჰც ცვლადი დენით უნდა შეერთდეს . შტეფსელი დაზღვეული უნდა იყოს 10 ა - დან 16 ა დამცავებით .

დანადგარები , რომლებიც ევროპის მიღმა ექსპლუატაციისათვის არის დაგეგმილი , საჭიროა ძაბვისა და დენის ტიპის შესაბამისობის შემოწმება . ამ მონაცემების ნახვა შეგიძლიათ ტიპის აღწერილობაზე , სურათი 14 .

გაფრთხილება

დაუშვებელია დანადგარის შეერთება ენერჯის მზოგავ შტეკერში . ჩვენი დანადგარების გამოყენებისათვის შესაძლებელია გამოიყენოთ სინუსი და ქსელთან კომუტაციის ხაზი . საკომუტაციო ინვერტორული ხაზის გამოყენება ნდება ფოტოელექტრული სისტემებისათვის , რომლებიც პირდაპირ საჯარი დენმომარაგებას უერთდება . კუნძულოვანი ვერსიების შემთხვევაში (მაგ . გემები ან მთის ქოხები) , რომლებსაც არ გააჩნიათ პირდაპირი კავშირი საზოგადო დენის წყაროზე , უნდა გამოიყენონ სინუსური ცვლადი მოწყობილობები .

დანადგარის გაცნობა



გთხოვთ გადაშალოთ ბოლო გვერდზე , დასურათებაზე . მოხმარების ეს ინსტრუქცია მოქმედია მრავალი მოდელისათვის . მოდულების აღჭურვილობა შეიძლება განსხვავებული იყოს . შესაძლებელია დასურათებიდან გადახრა . სურათი 1

* არ გააჩნია ყველა მოდელს .

- A მაცივარი
- B საყინულე

- 1–18 მომსახურე ელემენტები
- 19* კარაქისა და ყველის დანაყოფი
- 20 პატარა ბოთლების სათავსო
- 21 დიდი ბოთლების სათავსო
- 22 განათება (LED)

- 23* ბოთლების დასალაგებელი
 24* საუზმის ნაკრები
 25 ცივი შენახვის თარო
 26 ბოსტნეულის სათავსო სინოტივის რეგულატორით
 27* გაყინული პროდუქტის რეზერვუარი

მომსახურე ელემენტები

სურათი 4

- 1 **მაცივრის ტემპერატურის მაჩვენებელი**
ციფრები ასახავენ მაცივარში დაყენებულ ტემპერატურას °C-ში .
- 2 **მაჩვენებელი super cooling**
გამოჩნდება , როდესაც სუპერ - გაგრილება აქტივირებულია .
- 3 **საყინულეს ტემპერატურის მაჩვენებელი**
ციფრები ასახავენ საყინულეში დაყენებულ ტემპერატურას °C-ში .
- 4 **მაჩვენებელი super freezing**
გამოჩნდება , როდესაც სუპერ - გაყინვა აქტივირებულია .
- 5 **მაჩვენებელი vacation**
გამოჩნდება , როდესაც ჩაირთვება შვებულების რეჟიმი .
- 6 **მაჩვენებელი fresh**
გამოჩნდება , როდესაც ჩაირთვება ახალი პროდუქციის რეჟიმი .
- 7 **მაჩვენებელი ეკო - რეჟიმი**
გამოჩნდება , როდესაც ჩაირთვება ეკო - რეჟიმი .
- 8 **ლილაკი mode**
განსაკუთრებული ფუნქციების შერჩევისათვის .
- 9 **სუპერ - ლილაკი**
ემსახურება ფუნქციების ჩართვას super cooling (მაცივარი) ისევე როგორც super freezing (საყინულე) .
- 10 **დაყენების ლილაკები +/-**
ლილაკები ემსახურება სამაცივრე და საყინულე არეების ტემპერატურის დაყენებას .

- 11 **lock- ლილაკი**
ემსახურება lock ფუნქციის ჩართვას .
- 12 **°C ლილაკი არეს შერჩევისათვის და alarm off**
ემსახურება არეს შერჩევას . ეს აუცილებელია , შესაბამისი ტემპერატურის ცვლილებისათვის ან განსაკუთრებული ფუნქციის ჩართვისათვის .
ემსახურება სიგნალის გამორთვას .
- 13 **ლილაკების დაბლოკვის ფუნქცია Lock**
როდესაც ეს ფუნქცია ჩართულია , პარამეტრების შეცვლა საკონტროლო ლილაკებით აღარ არის შესაძლებელი .
- 14 **მაჩვენებელი alarm off**
ჩაირთვება , როდესაც დანადგარში ზედმეტად დათბება .
- 15 **მაჩვენებელი alarm**
გამოიყოფა როცა საყინულე კამერაში დაშვებულზე მეტად თბილა ან საყინულე კამერის კარი დიღხანს არის ღია .
- 16 **მაჩვენებელი freeze**
ჩაირთვება როდესაც არჩეული იქნება საყინულე .
- 17 **განგაშის მაჩვენებელი**
ანთებულია როცა საყინულე კამერის კარი დიდ ხანს არის ღია .
- 18 **მაჩვენებელი cool**
ჩაირთვება როდესაც არჩეული იქნება მაცივარი .

დანადგარის ჩართვა

1. პირველ რიგში შეაერთეთ შტეკერი დანადგარის უკანა მხარეს მოთავსებულ შესაერთებელში . დარწმუნდით, რომ შტეკერი ბოლომდე იყოს შეერთებული .
2. შემდეგ , კაბელის მეორე ბოლო შეაერთეთ კვების წყაროში .

დანადგარი ახლა ჩართულია და ის მაფრთხილებელ ბგერებს გამოსცემს . მაფრთხილებელი ბგერების გამორთვისათვის, დააჭირეთ °C-ლილასკი მაჩვენებელი alarm ჩაქვრება , როგორც კი დანადგარი მასზე დაყენებულ ტემპერატურას მიაღწევს .

წინასწარ დაყენებული ტემპერატურა , რამოდენიმე საათში მიიღწევა . მანამდე , ნუ განათავსებთ დანადგარში საკვებ პროდუქტებს .

ქარნულად , რეკომენდირებულია შემდეგი ტემპერატურები :

- საყინულე : -18°C

- მაცივარი : $+4^{\circ}\text{C}$

მითითებები

ექსპლუატაციისათვის

- ჩართვის შემდეგ , დაყენებული ტემპერატურის მიღწევას შესაძლოა რამოდენიმე საათი დასჭირდეს .
- სრულად ავტომატური "NoFrost" სისტემის წყალობით , საყინულე ყინულისაგან სრულიად თავისუფალი რჩება . გადნობა საჭირო აღარ არის .
- თუკი კარი დახურვის შემდეგ მალევე არ გაიღება , დელოდეთ რამდენიმე წუთს სანამ წნევა კვლავ აღდგება .
- შუბლის მხარე და კორპისის გვერდები მსუბუქად ცხელდება . ეს თავიდან იცილებს ორთქლის წყლის წარმოქმნას.

ტემპერატურის დაყენება

სურათი **4**

მაცივარი

ტემპერატურის დაყენება შესაძლებელია $+2^{\circ}\text{C}$ - დან $+8^{\circ}\text{C}$ - მდე .

1. °C ლილასის საშუალებით აირჩიეთ მაცივარი .
2. დააჭირეთ +/- ლილასებს , სანამ არ გამოჩნდება სასურველი ტემპერატურა.

მგრძნობიარე საკვები პროდუქტები არ უნდა ინახებოდეს $+4^{\circ}\text{C}$ - ზე მაღალ ტემპერატურაზე .

საყინულე

ტემპერატურის დაყენება შესაძლებელია -16°C - დან -24°C - მდე .

1. °C ლილასის მეშვეობით აირჩიეთ საყინულის არე .
2. დააჭირეთ +/- ლილასებს , სანამ არ გამოჩნდება სასურველი ტემპერატურა.

განსაკუთრებული ფუნქციები

სურათი 4

ახალი პროდუქტის რეჟიმი

ახალი პროდუქტის რეჟიმის დახმარებით, საკვები პროდუქტები კიდევ უფრო მეტ ხანს რჩებიან ვარგისნი .

ჩართვა :

modeლიაკს, იმდენჯერ დააჭირეთ, სანამ fresh მაჩვენებელი არ გამოჩნდება .

დანადგარი ავტომატურად აყენებს შემდეგ ტემპერატურებს :

- მაცივარი : 2 °C

- საყინულე : რჩება უცვლელი

გამორთვა :

modeლიაკს, იმდენჯერ დააჭირეთ, სანამ fresh მაჩვენებელი არ გაქრება .

Eco- რეჟიმი

eco- რეჟიმით დანადგარი ენერჯის დაზოგვით ექსპლუატაციაში გადაგყავთ .

ჩართვა :

modeლიაკს, იმდენჯერ დააჭირეთ, სანამ " ეკო - რეჟიმის " მაჩვენებელი არ გამოჩნდება .

დანადგარი ავტომატურად აყენებს შემდეგ ტემპერატურებს :

- მაცივარი : +8 °C

- საყინულე : -16 °C

გამორთვა :

modeლიაკს, იმდენჯერ დააჭირეთ, სანამ " ეკო - რეჟიმის " მაჩვენებელი არ გაქრება .

შვებულების რეჟიმი

ხანგრძლივი დროით ადგილზე არ ყოფნის შემთხვევაში , შეგიძლიათ მოწყობილობა შესაბამის " შვებულების რეჟიმში " მოაქციოთ .

გაციების ტემპერატურა ავტომატურად გადაკეთდება +14 °C ტემპერატურაზე . დროის ამ პერიოდში , მაცივარში საკვებ პროდუქტებს ნუ დატოვებთ .

ჩართვა :

mode ლიაკს , იმდენჯერ დააჭირეთ , სანამ vacation მაჩვენებელი არ გამოჩნდება .

დანადგარი ავტომატურად აყენებს შემდეგ ტემპერატურებს :

- მაცივარი : +14 °C

- საყინულე : რჩება უცვლელი

გამორთვა :

modeლიაკს, იმდენჯერ დააჭირეთ, სანამ vacation მაჩვენებელი არ გაქრება .

ლიაკების დაბლოკვის ფუნქცია Lock

ლიაკების დაბლოკვის ჩართვისა და გამორთვისათვის , 5 წამის მანძილზე დააჭირეთ lock ლიაკს .

ჩართული ფუნქციისას გაანათებს მაჩვენებელი lock.

პანელი ამგვარად დაცულია შემთხვევითი მოხმარებისაგან .

ლიაკების დაბლოკვის გამონაკლისი :

ლიაკების დაბლოკვის გამორთვისა დროს , შესაძლებელია lock ლიაკზე დაჭრა .

შეტყობინების ფუნქცია

შემდეგ შემთხვევებში შესაძლოა ჩაირთოს განგაში .

კარის განგაში

თუ კარი დიდ ხანს არის ღია ირთვება კარის სიგნალიზაცია და მაცივრის კამერის 1 ტემპერატურის დისპლეიზე ან საყინულე კამერის ტემპერატურის დისპლეიზე 3 ინთება alarm. შესაბამისი კარის დაკეტვის შემდეგ კარის სიგნალიზაცია გამოირთვება .

ტემპერატურის შეტყობინება

ინტერვალის ბგერა გამოიცემა , ტემპერატურის მაჩვენებელზე 3 საყინულე alarm გამოჩნდება . ტემპერატურის შეტყობინება მაშინ ჩაირთვება , როდესაც საყინულეში ზედმეტად თბილა და საფრთხე ექმნება პროდუქტებს . განგაში შესაძლოა ჩაირთოს პროდუქტების საფრთხის შექმნის გარეშე:

- დანადგარის ექსპლუატაციაში მოყვანა .
- მაცივარში დიდი რაოდენობით პროდუქტების ჩალაგებისას .

მითითებები

დამღვალი საკვები შესაძლოა ხელახლა აღარ გაიყინოს . მხოლოდ მზა კერძის მომზადების შემდეგ (შეწვა ან მოხარშვა) შესაძლოა მისი ხელახლა გაყინვა . ველარ მოხდება მაქსიმალური შენახვის ვადის შენარჩუნება . ტემპერატურის მაჩვენებელი 5 წამის მანძილზე ასახავს საყინულეში მაქსიმალურ დაფიქსირებულ თბილ ტემპერატურას . შემდეგ , კვლავ გამოჩნდება დაყენებული ტემპერატურა .

შეტყობინების გამორთვა

მაფრთხილებელი ბგერის გამოსართავად , დააჭირეთ °C- ლილავს .

წმინდა მოცულობა

წმინდა მოცულობის შესახებ მონაცემების ნახვა შეგიძლიათ ტიპის აღწერილობაზე . სურათი 14

სრულად გამოიყენეთ საყინულე სივრცე

იმისათვის , რომ მაქსიმალურად დიდი რაოდენობის პროდუქტი განათავსოთ , შეგიძლიათ გამოიღოთ დამატებითი რეზერვუარები . საკვები პროდუქტები შეგიძლიათ პირდაპირ თაროებზე და საყინულეს ძირზე დაალაგოთ .

მითითებები

მოარიდეთ საკვები პროდუქტების კონტაქტი უკანა კედელთან . სხვა შემთხვევაში შეფერხდება ჰაერის ცირკულაცია . საკვები პროდუქტები და შეფუთვა შესაძლოა უკანა კედელს მიეყინოს .

აღჭურვილობის ნაწილების გამოღება

გაყინული პროდუქტის რეზერვუარები ბოლომდე გამოსწიეთ , შემდეგ ზემოთ ასწიეთ და ისე გამოიღეთ . სურათი 10

მაცივარი

მაცივარი იდეალური შენახვის ადგილია ხორცის, ძეხვის, თევზის, რძის პროდუქტების, კვერცხის, მზა საკვებისა და საკონდიტრო ნაწარმისათვის .

ჩალაგებისას , ყურადღება მიაქციეთ

- დაასაწყობეთ ახალი , უცვლელი საკვები პროდუქტები . ამგვარად პროდუქტები უფრო დიდხანს შეინარჩუნებს ხარისხსა და სიახლეს .
- მზა და შიგთავსიანი პროდუქტებისას , ყურადღება მიაქციეთ , მწარმოებლის მიერ , შეფუთვაზე დატანილ მოქმედების ვადებს .
- არომატის , ფერისა და სიახლის შენარჩუნებისათვის , საკვები პროდუქტები სათანადოდ შეფუთულად ან დახურულად ჩალაგეთ . ამით , თავიდან აიცილებთ , მაცივარში გემოს გადატანას და ფერის ცვლილებას .
- თბილი კერძები და სასმელი , ჯერ გააგრილეთ და შემდეგ მოათავსეთ დამადგარში .

მითითებები

ჰაერის სამოძრაო ღიობებს საკვები პროდუქტებით ნუ ჩაკეტავთ , რადგან ის შეაფერხებს ჰაერის ცირკულაციას . საკვები პროდუქტები , რომელიც განთავსებულია უშუალოდ საჰაერო ღიობებთან , შესაძლოა გამოდინებული ცივი ჰაერის მასების გამო გაიყინოს .

ყურადღება მიაქციეთ მაცივრის ცივ ზონებს

მაცივარში ჰაერის ცირკულაციის გამო წარმოიქმნება სხვადასხვა სიცივის ზონები :

- ყველაზე ცივი ზონები მდებარეობენ ჰაერის გამოსასვლელ ღიობებთან და ცივ უჯრაში , სურათი 1/25.

მითითებები

ყველაზე ცივ ზონაში შეინახეთ მგრძნობიარე საკვები პროდუქტები , (მაგ : თევზი , ძეხვი , ხორცი) .

- ყველაზე თბილის ზონა მდებარეობს კარზე , სულ მაღლა .

მითითებები

ყველაზე თბილ ზონაში შეინახეთ მაგალითად , მყარი ყველი და კარაქი . ყველს შეუძლია სურნელი გაავრცელოს , ხოლო კარაქი დარჩება გადასმადი .

ბოსტნეულის სათავსო სინოტივის რეგულატორით

სურათი 8

ხილისა და ბოსტნეულისათვის ოპტიმალური დასაწყობების კლიმატის შექმნისათვის , თქვენ შეგიძლიათ ბოსტნეულის რეზერვუარის ჰაერის ტენიანობა , დააყენოთ :

- ძირითადად , ბოსტნეული , ისევე როგორც შერეული პროდუქტი ან მცირე დატვირთვა , შეინახეთ ჰაერის მაღალი ტენიანობით
- ძირითადად ხილი , ისევე როგორც მაღალი დატვირთვისას , დაბალი ჰაერის ტენიანობით შეინახეთ

მითითებები

- სიცივეზე მგრძობიარე ხილი (მაგ : ანანასი, ბანანი, პაპაია და ციტრუსები) და ბოსტნეული (მაგ : ბადრიჯანი , კიტრი , ყაბაყი , წიწაკა , პომიდორი და კარტოფილი) საუკეთესო ხარისხისა და არომატის შემცველობისათვის მაცივრის გარეთ უნდა ინახებოდეს , $+8^{\circ}\text{C}$ - სა და $+12^{\circ}\text{C}$ - ს შორის .
- შესანახი ოდენობის მიხედვით , შენახულმა პროდუქტებმა , ბოსტნეულის სათავსოში შესაძლოა საკონდენსაციო წყალი გამოიწვიოს . საკონდენსაციო წყალი მშრალი ჩვარით გამშრალეთ და ბოსტნეულის სათავსოში ტენიანობა სინოტივის რეგულატორის მეშვეობით დააყენეთ .

ცივი შენახვის თარო

სურათი 9

ცივი შენახვის თაროში უფრო დაბალი ტემპერატურა ვლინდება , ვიდრე მაცივრის სივრცეში . შესაძლოა გამოვლინდეს 0°C - ზე დაბალი ტემპერატურაც .

იდეალურია თევზის , ხორცისა და ძეხვის შესანახად . არ არის რეკომენდირებული სალათის , ბოსტნეულისა და სიგრილის მიმართ მგრძობიარე პროდუქტებისათვის .

გაყინული სათავსოს ტემპერატურა მანიავებელი დიობის მეშვეობით რეგულირდება . ტემპერატურის შემცირების მიზნით , ტემპერატურის მარეგულირებელი ზემოთ ასწიეთ . ტემპერატურის მომატების მიზნით , ტემპერატურის მარეგულირებელი ქვემოთ დასწიეთ . სურათი 7

სუპერ - გაგრილება

სუპერ - გაგრილებისას სამაცივრე არეალი დაახლოებით 6 საათის მანძილზე მაქსიმალურად აგრილებს . ამის შემდეგ , ავტომატურად გადადის სუპერ - გაგრილებამდე დაყენებულ ტემპერატურაზე . ჩართეთ სუპერ - გაგრილება , მაგ .

- დიდი რაოდენობის საკვები პროდუქტების ჩალაგებისას .
- სასმელების სწრაფი გაგრილებისათვის.

ჩართვა და გამორთვა

სურათი 4

1. ამოარჩიეთ მაცივრის განყოფილება ლილაკის $^{\circ}\text{C}$ მეშვეობით .
2. დააჭირეთ ლილაკს Super. დისპლეი ჩართვება და გამოისახება super cooling.

თქვენ არ დაგჭირდებათ გამორთოთ სუპერგაციების რეჟიმი . მოწყობილობა 6 საათის შემდეგ ავტომატურად გადაერთვება წინასწარ დაყენებულ ტემპერატურულ რეჟიმში .

მითითებები

სუპერ - გაგრილების ჩართვამ , შესაძლოა დანადგარის მომატებული ხმაური გამოიწვიოს .

საყინულე

გამოიყენეთ საყინულე

- გაყინული პროდუქტების შენახვისათვის .
- ყინულების წარმოებისათვის .
- საკვები პროდუქტების გასაყინად .

მითითებები

ყურადღება მიაქციეთ , რომ საყინულეს კარები მუდმივად დაკეტილი იყოს . კარების ღიად დატოვებისას , გაყინული პროდუქტები დადნება და საყინულე ძლიერად დაიწყებს ყინვას . ამას გარდა : მაღალი ენერგომომხარების გამო ენერჯის კარგვა !

მაქსიმალურ გაყინვის შესაძლებლობა

24 საათში მაქსიმალურ გაყინვის შესაძლებლობის მონაცემებს იხილავთ ტიპის აღწერილობაზე . სურათი 14

მაქს. გაყინვის შესაძლებლობის წინაპირობები

- ახალი საქონლის ჩალაგებამდე , ჩართეთ სუპერ - გაყინვის რეჟიმი (იცილეთ თავი " სუპერ - გაყინვა) .
- გამოიღეთ რეზერვუარი ; საკვები პროდუქტები პირდაპირ თაროებზე და საყინულეს ძირზე დაალაგეთ .
- დიდი რაოდენობის საკვები პროდუქტები უმჯობესია ზედა დანაყოფში გაყინოთ . აქ ისინი განსაკუთრებით სწრაფად და ამავდროულად ნაზად გაიყინება .

გაყინვა და დასაწყობება

გაყინული პროდუქტების შექენა

- შეფუთვა არ უნდა დაზიანდეს .
- ყურადღება მიაქციეთ მოქმედების ვადას .
- შესყიდვის კალათში ტემპერატურა უნდა იყოს -18°C ან უფრო ცივი .
- გაყინული პროდუქტების ტრანსპორტირება იზოლირებულად უნდა მოხდეს და შემდგომ დაუყოვნებლივ განთავსდეს საყინულეში .

ჩალაგებისას გაითვალისწინეთ

- დიდი რაოდენობის საკვები პროდუქტები უმჯობესია ზედა დანაყოფში გაყინოთ . აქ ისინი განსაკუთრებით სწრაფად და ამავდროულად ნაზად გაიყინება .
- საკვები პროდუქტები დიდ თაროებში და საჭიროების შემთხვევაში საყინულეს რეზერვუარში გაანაწილეთ .

მითითებები

უკვე გაყინული პროდუქტები არ განათავსოთ ახალ გასაყინ პროდუქტებთან ერთად . სურვილისამებრ , შესაძლოა გაყინული საკვები პროდუქტების სხვა რეზერვუარში გადატანა .

გაყინული პროდუქტის დასაწყობება

გაყინული პროდუქტის რეზერვუარები ბოლომდე შეაცურეთ , რათა ჰაერის თავისუფალი ცირკულაცია იქნას უზრუნველყოფილი .

გაყინეთ ახალი საკვები პროდუქტები

გაყინვისათვის გამოიყენეთ მხოლოდ ახალი და ვარგისი პროდუქტები . კვებითი ღირებულების , არომატისა და ფერის უკეთესი შესახვისათვის , გაყინვამდე ბოსტნეული უნდა იყოს ბლანშირებული . ბადრიჯანი , წიწაკა , ყაბაყი და სატაცური , ბლანშირებას არ საჭიროებს .

გაყინვისა და ბლანშირების შესახებ ლიტერატურის მოძიება შეგიძლიათ წიგნების მაღაზიაში .

მითითებები

გასაყინი პროდუქტები არ ჩაალაგოთ გაყინულ პროდუქტებთან შეხებით .

- გაყინვისათვის განსაზღვრულია : საკონდიტრო , თევზი და ზღვის პროდუქტები , ხორცი , გარეული , ფრინველები , ბოსტნეული , ხილი , მწვანილი , კვერცხი ან ნიჟარები , რძის პროდუქტები , როგორც არის ყველი , კარაქი და ხაჭო , მზა კერძები და საკვები ნაშთები , როგორც არის სუპები , ჩაშუშულები , დაკეპილი ხორცი და თევზი , კარტოფილის კერძები და ტკბილეული .
- გაყინვისათვის არ არის განსაზღვრული : ბოსტნეულის ტიპები , რომელიც უმად იჭმევა , როგორც არის სალათის ფოთლები ან ბოლოკი , კვერცხი ნაჭურჭში , ყურძენი , მთლიანი ვაშლები , მსხლები და ატმები , მაგრად მოხარშული კვერცხი , იოგურტი , რძე , არაჟანი , ნაღები .

გაყინული პროდუქტების შეფუთვა

იმისათვის , რომ საკვებმა პროდუქტებმა არ დაკარგონ გემოვნური თვისებები ან არ გამოშრენ , ისინი შეფუთეთ ერთმანეთისგან იზოლირებულად .

1. საკვები პროდუქტები შეფუთულად შეინახეთ .
2. გამოუშვით ჰაერი .
3. შეფუთვა მჭიდროდ დახურეთ .
4. შეფუთვაზე დააწერეთ შემადგენლობა და გაყინვის თარიღი .

შეფუთვისათვის შესაბამისია :

პლასტიკური ფოლიე , პოლიეთილენის მიკალოვანი ფოლიე , ალუმინის ფოლიე , გასაყინი კონტეინერები . ეს პროდუქტები ხელმისაწვდომია სავაჭრო ობიექტებში .

შეფუთვისათვის შეუსაბამოა :

შესაფუთი ქაღალდები , პერგამენტი , ცელოფანი , ნაგვის პარკი და გამოყენებული საყიდლების პარკები .

შესაკრავად შესაბამისია :

რეზინა , ულასტმასის სარჭი , შესაკრავი ძაფი , ყინვა გამძლე წებოვანი ლენტა და სხვა .

კონტეინერები და პოლიეთილენის მილაკოვანი ფოლიე , რომელიც ჰერმეტიკულად იხურება .

გაყინული პროდუქტის ვარგისიანობის ვადები

მოქმედების ვადა დამოკიდებულია საკვები პროდუქტები ტიპზე .

-18°C ტემპერატურისას :

- ხორცი , ძეხვი , მზა კერძები , საკონდიტრო :
6 თვემდე
- ყველი , ფრინველების ნაწარმი , ხორცი :
8 თვემდე
- ბოსტნეული , ხილი :
12 თვემდე

სუპერ - გაყინვა

საკვები პროდუქტები მაქსიმალურად სწრაფად, სრულად უნდა გაიყინოს, რათა ვიტამინები, საკვები ღირებულებები, იერსახე და გემოვნური თვისებები შეინარჩუნონ.

ახალი საკვები პროდუქტების ჩალაგებამდე რამოდენიმე საათით ადრე, ჩართეთ სუპერ - გაყინვის რეჟიმი, რათა ტემპერატურის არასასურველი ცვლილება აირიდოთ თავიდან.

ზოგადად, საკმარისია 4-6 საათი.

დანადგარი, ჩართვის შემდეგ განუწყვეტლივ მუშაობს, საყინულეში მიიღწევა ძალიან ცივი ტემპერატურა.

გაყინვის მაქსიმალური შესაძლებლობის გამოყენებისათვის, სუპერ - გაყინვის რეჟიმი, პროდუქტების შელაგებამდე 24 საათით ადრე უნდა ჩართოთ.

მცირე რაოდენობის საკვები პროდუქტების (2 კგ-მდე) გაყინვა, სუპერ-გაყინვის რეჟიმის გარეშეც შესაძლებელია.

მითითებები

განსაკუთრებული გაყინვის რეჟიმზე დაყენებამ, შესაძლოა დანადგარის მომატებული ხმაური გამოიწვიოს.

ჩართვა და გამორთვა

სურათი 4

1. აირჩიეთ საყინულე ღილაკის °C მეშვეობით.
2. დააჭირეთ ღილაკს Super. დისპლეი ჩაირთვება და გამოისახება super freezing.

თქვენ არ დაგჭირდებათ გამორთოთ სუპერგაციების რეჟიმი. დაახლოებით 2 1/2 დღის შემდეგ მოწყობილობა ავტომატურად გადაერთვება წინასწარ დაყენებულ.

დააღწეთ გაყინული პროდუქტი

ტიპისა და გამოყენების მიზნების შესაბამისად, შეგიძლიათ ამოირჩიოთ შემდეგი საშუალებები:

- ოთახის ტემპერატურისას
- მაცივარში
- ელექტრო ღუმელში, ცხელი ჰაერის ვენტილაციით ან მის გარეშე
- მიკროტალღურ ღუმელში



ყურადღება

დამღვალი საკვები შესაძლოა ხელახლა აღარ გაიყინოს. მხოლოდ მზა კერძის მომზადების შემდეგ (შეწვა ან მოხარშვა) შესაძლოა მისი ხელახლა გაყინვა. გაყინულ პროდუქტზე მითითებული მაქსიმალური ვადა, ბოლომდე არ მიიყვანოთ.

აღჭურვილობა

თაროები და რეზერვუარები

თქვენ შეგიძლიათ სურვილისამებრ დაარეგულიროთ შიდა სივრცისა და კარის თაროები : თაროები წინ გადმოსწიეთ , დახარეთ და გვერდულად გამოიღეთ . რეზერვუარები ასწიეთ და გამოიღეთ .

განსაკუთრებული აღჭურვილობა

(არ გააჩნია ყველა მოდელს)

კარაქისა და ყველი დანაყოფი

კარაქის სათავსოს შუაში მსუბუქი დაჭრით , სათავსო გაიღება .

გასაწმენდათ , რეზერვუარები ქვემოდან ასწიეთ და გამოიღეთ .

საუზმის ნაკრები

სურათი 5

საუზმის ნაკრების რეზერვუარები , შესაძლოა გამოღებული და შევსებული იქნას სათითაოდ .

თქვენ შეგიძლიათ საუზმის ნაკრების გამოღება მისი დაცვისა თუ შევსების მიზნით . ამისათვის , ასწიეთ და გამოსწიეთ საუზმის ნაკრები . რეზერვუარის სამაგრები შეგიძლიათ გადაადგილოთ .

ბოთლების დასალაგებელი

სურათი 6

ბოთლების დასალაგებელში შეგიძლიათ ბოთლების უსაფრთხოდ შენახვა .

ყინულის უჯრა

სურათი 13

1. ყინულის უჯრა $\frac{3}{4}$ -ზე გაავსეთ სასმელი წყლით და შედგით საყინულეში .
2. მიყინული ყინულის უჯრა გამოათავისუფლეთ ბლაგვი საგნით (კოვზის ტარი) .
3. ყინულის კუბიკის გამოათავისუფლებისათვის , ის გამდინარე წყალს შეუშვირეთ ან მსუბუქად შეაჩქარიეთ .

საყინულე

სურათი 12

გაყინული პროდუქტების ხარისხის შემცირების თავიდან აცილებისათვის , ნუ გადააჭარბებთ შენახვის ხანგრძლივობას . სიმბოლოებთან არსებული ციფრები ასახვენ გაყინული პროდუქტის დასაშვებ ვადას თვეებში . ყურადღება მიაქციეთ , ქარხნული წესით დამზადებული გაყინული პროდუქტების მოქმედების ვადას .

ცივი ელემენტი

დენის გამორთვის ან ხარვეზის შემთხვევაში , ცივი ელემენტი ახანგრძლივებს გაყინული პროდუქტის გათბობას . ყველაზე მეტი შენახვის ვადა მიიღწევა , თუ ცივი ელემენტი სულ ზედა თაროზე , საკვებ პროდუქტებზე განათავსებთ .

ცივი ელემენტი შესაძლოა დროებით , პროდუქტების ცივად შენახვის საჭიროებისას თერმო ჩანთაში მოათავსოთ .

დასაწებებელი "OK"

(არ გააჩნია ყველა მოდელს)
დასაწებებელი "OK", თქვენ შეგიძლიათ შეამოწმოთ, მიღწეულია თუ არა მაცივარში, სურსათის შესანახად აუცილებელი ტემპერატურული დიაპაზონი $+4^{\circ}\text{C}$ ან ნაკლები. თუ დასაწებებელი "OK"-ს არ აჩვენებს, ტემპერატურა ეტაპობრივად შეამცირეთ.

მითითებები

დანადგარის ექსპლუატაციაში ჩაშვების შემდეგ, შესაძლოა 12 საათი დასჭირდეს, სანამ მიღწეული იქნება დაყენებული ტემპერატურა.



სწორი დაყენება

გამორთეთ დანადგარი და დაასვენეთ

გამორთეთ დანადგარი

"+" ლილავს 10 წამის მანძილზე დააჭირეთ.
მაცივარი ჩაირთვება.

დანადგარის გამორთვა

თუკი, დანადგარს ხანგრძლივი დროით არ გამოიყენებთ:

1. კვების შტეკერი გამოაერთეთ ან გათიშეთ დამცავები.
2. გაწმინდეთ დანადგარი.
3. დანადგარის კარი დატოვეთ ღია.

მითითებები

დანადგარის ზიანის თავიდან ასარიდებლად, დანადგარის კარი ღია უნდა იყოს, ისე რომ ის ღიად დარჩეს. არ ჩაატანოთ კარებში დამატებითი საგნები, მისი ღიად დასატოვებლად.

დანადგარის გაწმენდა

ყურადღება

- გაწმენდისას არ გამოიყენოთ ქვიშის , ქლორის ან მჟავიანობის შემცველნი საწმენდი და გამსხნელი საშუალებები .
- არ გამოიყენოთ აბრაზიული ან მკაწრავი ჩვრები .
მეტალის ზედაპირებზე შესაძლოა წარმოიქმნას კოროზია .
- თაროები და რეზერვუარები არასოდეს გარეცნოთ ჭურჭლის სარეცხში .
ნაწილებმა შესაძლოა დეფორმაცია განიცადონ !

საწმენდი წყალი დაუშვებელია შევიდეს შემდეგ არეებში :

- მომსახურე ელემენტებში
- განათება
- საჰაერო ღიობებში
- გამყოფი ფირფიტის ღიობები

იმოქმედეთ შემდეგნაირად :

1. კვების შტეკერი გამოაერთეთ ან გათიშეთ დამცავები .
2. გამოიღეთ გაყინული პროდუქტები და განათავსეთ გრილ ადგილას . გაყინულ საკვებზე განათავსეთ მშრალი ყინული (ასეთის არსებობის შემთხვევაში) .
3. დაუშვებელია სავლები წყლის მოხვედრა მომსახურე ელემენტებში განათებაში , სავენტელაციო ღიობებში ან გამყოფი ზედაპირის ღიობებში !
დანაგარი რბილი ჩვარის მეშვეობით , ოთანის ტემპერატურის წყლით და ნეიტრალური მჟავიანობის საწმენდი საშუალებით გაასუფთავეთ .
4. კარის იზოლაცია გაწმინდეთ მხოლოდ სუფთა წყლით და შემდეგ საფუძვლიანად გაამშრალეთ ის .

5. გაწმენდის შემდეგ ისევ შეაერთეთ მოწყობილობა .

6. ხელახლა შეალაგეთ გაყინული პროდუქტი .

აღჭურვილობა

გაწმენდისათვის , შესაძლებელია დანადგარის მოძრავი ნაწილების გამოღება .

რეზერვუარები ზემოთ ასწიეთ და გამოიღეთ .

სურათი **3**

რეზერვუარები ასწიეთ და გამოიღეთ .

გამოიღეთ შუშის თაროები

შუშის თაროები წინ გამოსწიეთ და გამოიღეთ .

გამოიღეთ რეზერვუარი

სურათი **9**

რეზერვუარები ბოლომდე გამოსწიეთ , შემდეგ ზემოთ ასწიეთ და ისე გამოიღეთ .

გამოიყეთ გაყინული პროდუქტის რეზერვუარები

სურათი **10**

გაყინული პროდუქტის რეზერვუარები ბოლომდე გამოსწიეთ , შემდეგ ზემოთ ასწიეთ და ისე გამოიღეთ .

გამოიღეთ ბოსტნეულის სათავსოს შუშის მექანიზმი

სურათი **11**

შუშის მექანიზმი გაწმენდის მიზნით შეგიძლიათ გამოიღოთ და დაშალოთ .

მითითებები

შუშის მექანიზმის გამოღებამდე , გამოიღეთ ბოსტნეულის სათავსო .

განათება (LED)

თქვენი დანადგარი აღჭურვილია გამართული LED განათებით .

ამ განათებაზე სარემონტო სამუშაოების ჩატარება ნებადართულია მხოლოდ კლიენტთა მომსახურების ან ავტორიზირებული სპეციალური ხელოსნების მიერ .

ენერჯის დაზოგვა

- დანადგარი მშრალ, კარგად განიავებად ოთახში განათავსეთ . დანადგარი არ უნდა მდებარეობდეს პირდაპირი მზის ქვეშ ან სითბოს წყაროსთან ახლოს (მაგ : რადიატორები , ქურა) .
საჭიროების შემთხვევაში გამოიყენეთ საიზოლაციო პლატა .
- თბილი საკვები და სასმელი , ჯერ გააგრილეთ და შემდეგ მოათავსეთ დამადგარში .
- გაყინული პროდუქტები გადნობისათვის მაცივარში მოათავსეთ და გაყინული პროდუქტების სიცივე , პროდუქტების გაგრილებისათვის გამოიყენეთ .
- დანადგარი გააღეთ შეძლებისდაგვარად მოკლე ხნით .
- ყველაზე ნაკლები ენერჯის მოხმარების მაჩვენებლის მიღწევისათვის : გვერდითა კედელთან შეინარჩუნეთ დისტანცია .
- დანადგარის ენერგომოხმარებაზე , აღჭურვილობის ნაწილების განთავსება არ ახდენს ზეგავლენას .

საექსპლუატაციო ხმები

სავსებით ნორმალური ხმები

მითითებები

განსაკუთრებული გაყინვის რეჟიმზე დაყენებამ , შესაძლოა დანადგარის მომატებული ხმაური გამოიწვიოს .

ღმუილი

ძრავები მუშაობს (მაგ : მაგრილებელი აგრეგატი , ვენრილატორი) .

ბუყბუყის , შიშინის ან ბზუილის ხმა

მილებში მიედინება მაგრილებელი საშუალება .

ტკაცუნა

ძრავის , ჩამრთველის ან მაგნიტური სარქველის გადართვა ჩართვა / გამორთვა .

ტკაცანი

ხორციელდება ავტომატური დაღობვა .

ხმაურის თავიდან აცილება

დანადგარი არათანაბრად დგას

დანადგარი , თარაზოს მეშვეობით გამართეთ . გამოიყენეთ ამისათვის მიხრახნვადი ფეხი ან ქვეშ რაიმე დაუღეთ .

დანადგარი " მიყუდებულია "

დანადგარი გამოსწიეთ ავეჯიდან ან სხვა დანადგარებიდან .

რეზერვუარები ან დასაწყობებული ბოთლები ქანაობენ ან იჭედებიან

შეამოწმეთ ამოღებადი ნაწილები და შეეცალეთ ის ახლით .

ბოთლები ან რეზერვუარები ერთმანეთს ეხება

ბოთლები ან ავზები ერთმანეთისაგან მსუბუქად გადააწარეთ .

პატარა ხარვეზების დამოუკიდებლად აღმოფხვრა

კლიენტთა მომსახურების სამსახურში დარეკვამდე :

შეამოწმეთ , ხომ არ შეგიძლიათ წარმოქმნილი ხარვეზის , შემდეგი მითითებების მიხედვით დამოუკიდებლად აღმოფხვრა .

გარანტიის ვადის მიუხედავად , თქვენ მოგიწევთ კლიენტთა მომსახურების სამსახურთან კონსულტაციის ხარჯების დაფარვა – .

ხარვეზი	შესაძლო მიზეზი	დახმარება
ტემპერატურა მნიშვნელოვნად სცილდება დაყენებულ მაჩვენებელს .		ზოგ შემთხვევაში საკმარისია დანადგარის 5 წუთით გამორთვა . თუ ტემპერატურა ზედმეტად თბილია , შეამოწმეთ რამოდენიმე საათში , ხომ არ მიმდინარეობს ტემპერატურის ცვლილება . თუ ტემპერატურა ზედმეტად ცივია , ის ხელახლა შეამოწმეთ მეორე დღეს .
მაცივარში ან საყინულეში ზედმეტად სიცივაა .		დააყენეთ მაცივრის ტემპერატურა მეტ სითბოზე . სამაცივრე თაროსათვის ტემპერატურის რეგულატორი ქვემოთ დასწიეთ . სურათი 7
საყინულეს ტემპერატურა ზედმეტად მაღალია .	დანადგარის ხშირი გაღება .	არ გაალოთ დანადგარი არასაკმარის შემთხვევებში .
	დანურულია სავენტილაციო ღიობები .	დაბრკოლებების აღმოფხვრა .
	დიდი რაოდენობის საკვები პროდუქტების გაყინვა .	ნუ გადააჭარბებთ მაქსიმალურ გაყინვის შესაძლებლობას .
მოწყობილობა არ ცივდება , ტემპერატურისა და განათების დისპლეი ჩართულია .	ჩართულია სადემონსტრაციო რეჟიმი .	დააჭირეთ ღილაკს °C და რეგულირების ღილაკს + უწყვეტად 5 წამის განმავლობაში სანამ არ გაიგებთ დადასტურების ტონალურ სიგნალს . ღილაკების განთავისუფლების შემდეგ გაისმება სხვა დამადასტურებელი სიგნალი . ცოტა ხნის შემდეგ შეამოწმეთ ცივდება თუ არა თქვენი მოწყობილობა .
დანადგარის გვერდითა კედლები თბილია .	გვერდითა კედლებში გადის მილები , რომელიც გაგრილების პროცესის დროს ცხელდება .	ეს დანადგარის ნორმალურ მოქმედებაზე მიუთითებს და ხარვეზს არ წარმოადგენს . ავეჯი , რომელიც დანადგარს ეხება , სითბოს გამო არ ზიანდება .

ხარვეზი	შესაძლო მიზეზი	დახმარება
განათება არ მუშაობს .	LED ნათება დეფექტური . მაცივარი ზედმეტად დიდ ხანს იყო ღია . განათება გამოირთვება დაახლ . 10 წუთში .	იხილეთ თავი " განათება " (LED). დანადგარის დაზურვის და გალების შემდეგ , განათება ისევ ჩაირთვება .
მაჩვენებელი არ ანათებს .	დენის გათიშვა ; ამოვარდნილია დამცავი ; ქსელის შტეკერი მყარად არ ზის .	შეაერთეთ ქსელის შტეკერი . შეამოწმეთ ელექტროენერგია და დამცავები .
საყინულის კარი ხანგრძლივი დროით იყო ღია, ტემპერატურა ველარ მიიღწევა .	ორთქლწარმომქმნი (სიცივის წარმომქმნელი) "NoFrost" სისტემა იმდენად არის მიყინული , რომ ის ავტომატურად ველარ დნება .	ორთქლწარმომქმნის დადნობისათვის , გამოიღეთ გაყინული პროდუქტი თაროებიდან და იზოლირებულად, გრილ ადგილას მოათავსეთ . დანადგარი გამორთეთ და კვლიდან გამოსწიეთ . დანადგარის კარი დატოვეთ ღია . დაახლოებით 20 წუთში დამდნარი წყალი დაიწყებს დანადგარის უკანა მხრიდან , აორთქლების უჯრიდან დინებას . ასეთ შემთხვევაში , აორთქლების უჯრის გადავსების თავიდან აცილების მიზნით , დამდნარი წყალი ჩვრის მეშვეობით გაამშრალეთ . როდესაც აორთქლების უჯრიდან წყალი შეწყვეტს დინებას , ორთქლწარმომქმნი დამდნარია. შიდა გასუფთავება . დანადგარის კვლავ ჩაშვება ექსპლუატაციაში .
ხელსაწყო ზედაპირზე და შესანახ თაროებზე ხელსაწყოში წარმოიქმნება კონდენსატი .	სითბო და ტენიანობა , გარემოს ტემპერატურები აძლიერებენ ევექტს .	ამოწმინდეთ წყალი რბილი მშრალი ტილოთი . ■ შეძლებისდაგვარად მოკლე ხნით გააღეთ დანადგარი ■ ყურადღება მიაქციეთ , რომ ხელსაწყო ყოველთვის სწორად იყოს დაკეტილი .

დანადგარის თვით - შემოწმება

თქვენი დანადგარი , ავტომატული თვით -
შემოწმების პროგრამის მეშვეობით ,
ხარვეზის წყაროებს გამცნობთ , რომელთა
აღმოფხვრა , მხოლოდ კლიენტთა
მომსახურების სამსახურის მიერ არის
შესაძლებელი .

დანადგარის თვით-შემოწმების დაწყება

1. გამორთეთ დანადგარი და დაელოდეთ
5 წუთი .
2. დანადგარის ჩართვა და პირველი 10
წამის მანძილზე °C ღილაკსა და
პარამეტრის ღილაკ "—" 3-5 წამის
მანძილზე დაჭერა , სანამ არ გაისმება
აკუსტიკური სიგნალი .
ჩაერთვება თვით - შემოწმების
პროგრამა .

როდესაც თვით ტესტირება
დასრულდება , და აკუსტიკური სიგნალი
ორჯერ გაიჟღერებს , თქვენი დანადგარი
მზადყოფნაშია .

თუკი გაისმება 5 აკუსტიკური სიგნალი ,
საქმე ხარვეზთან გვაქვს . შეატყობინეთ
კლიენტთა მომსახურების სამსახურს .

დანადგარის თვით-შემოწმების დასრულება

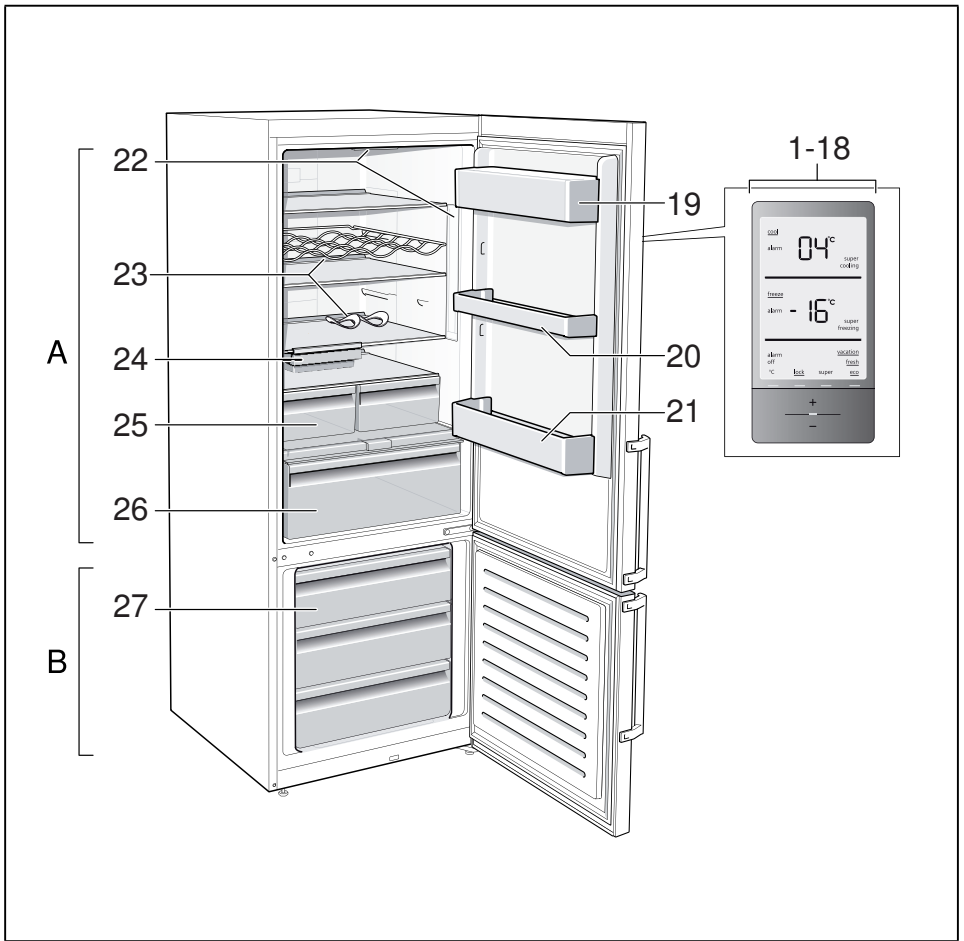
პროგრამის დასრულების შემდეგ ,
დანადგარი უბრუნდება საკონტროლო
რეჟიმს .

კლიენტთა მომსახურების სამსახური

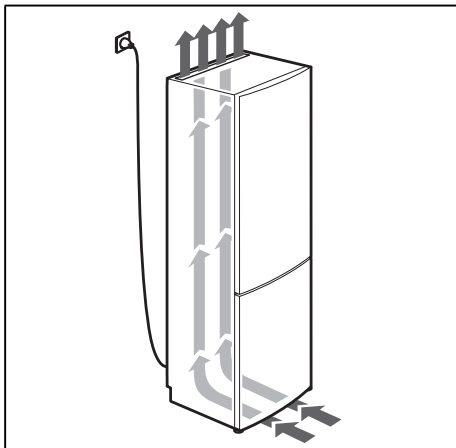
სატელეფონო წიგნში ან კლიენტთა
მომსახურების სამსახურის
აღწერილობაში , თქვენ შეგიძლიათ
მოიძიოთ უახლოესი კლიენტთა
მომსახურების სამსახური . უთხარით
კლიენტთა მომსახურების სამსახურს
თქვენი პროდუქტის ნომერი (E-Nr) და
დანადგარის წარმოების ნომერი (FD-Nr).
ამ მონაცემების ნახვა შეგიძლიათ ტიპის
აღწერილობაზე . სურათი 14
არასაჭირო მგზავრობების თავიდან
აცილებისათვის , დაეხმარეთ პროდუქტის
ნომერისა და წარმოების ნომრის
კარნახით . ამ გზით , დამატებითი
ხარჯების თავიდან აცილებას შეძლებთ .

ხარვეზების შემთხვევაში კონსულტაცია და სარემონტო დავალება

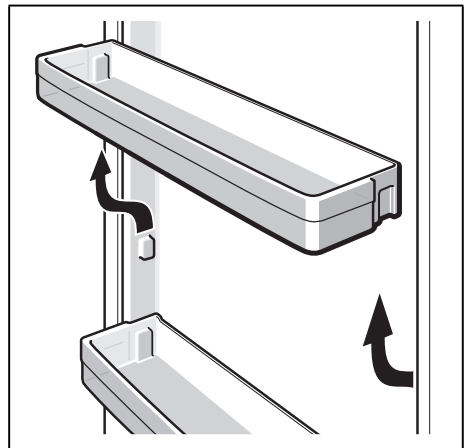
ყველა ქვეყნისათვის საკონტაქტო
მონაცემები მითითებული თანდართულ
კლიენტთა მომსახურების აღწერილობაში.



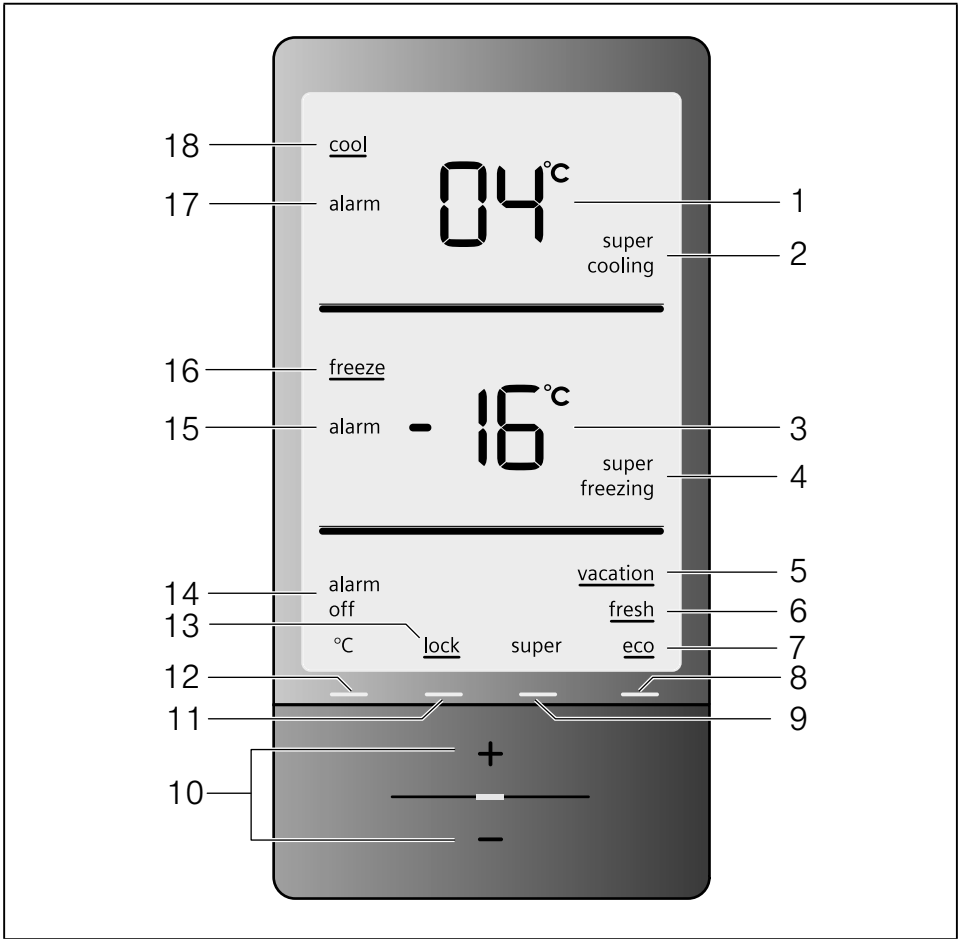
1



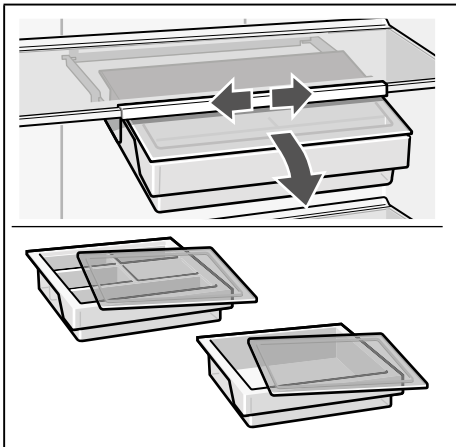
2



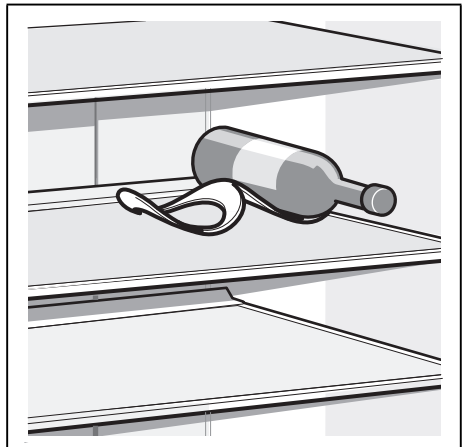
3



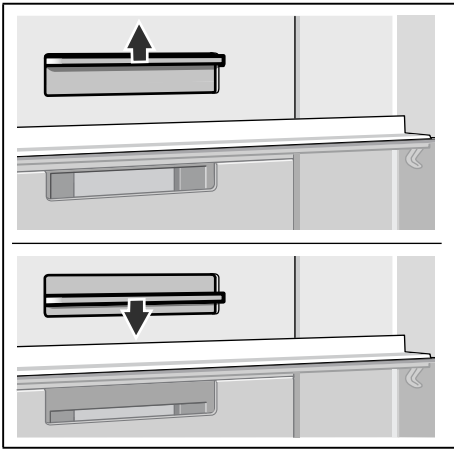
4



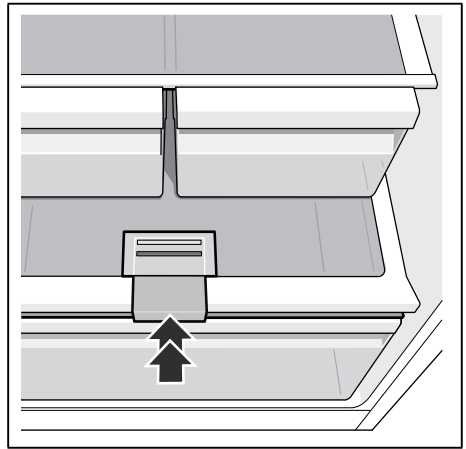
5



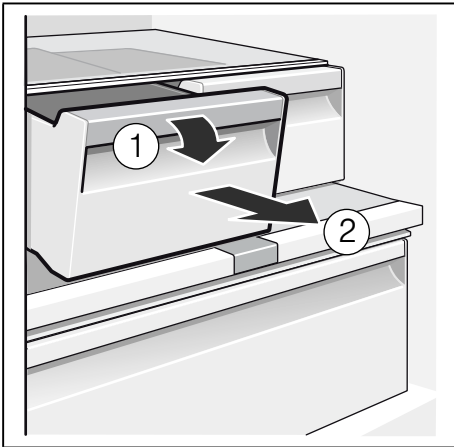
6



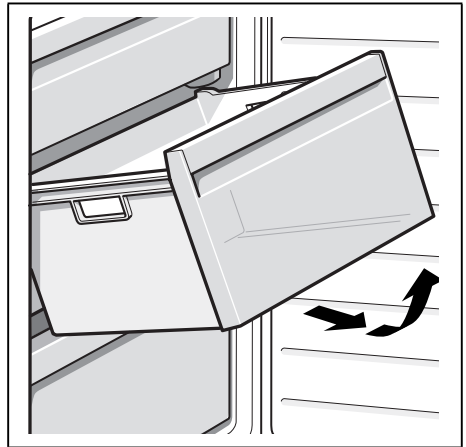
7



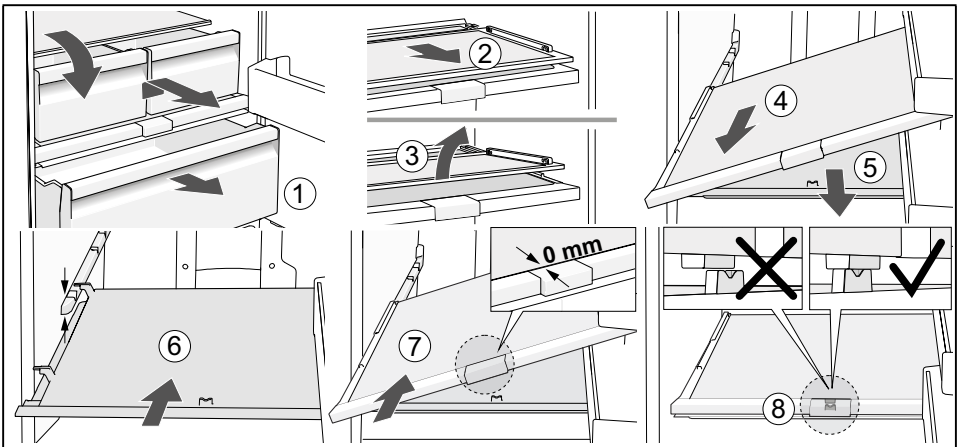
8



9



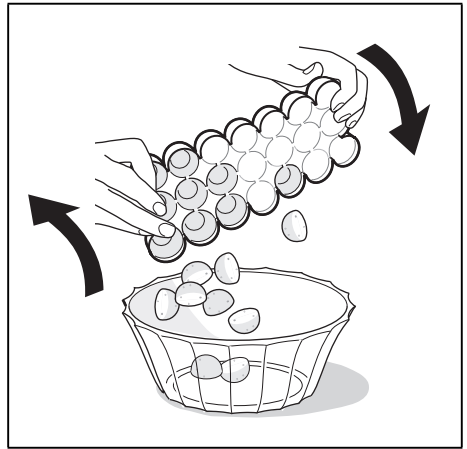
10



11



12



13



14

BSH Hausgeräte GmbH
Carl-Wery-Str. 34
81739 München

GERMANY

Manufactured by BSH Hausgeräte GmbH under Trademark License of Siemens AG
Изготовлено ООО «БСХ Бытовые Приборы» под товарным знаком компании Сименс АГ
Шығарушы: ЖШҚ „БСХ Бытовые Приборы“ Сименс АГ тауар белгісімен
BSH tomonidan Siemens AGning Tijoriy Marka Litsenziyasi asosida ishlab chiqarilgan
დამზადებულია BSH Hausgeräte GmbH მიერ Siemens AG-ს სასაქონლო ნიშნის ლიცენზიით

siemens-home.bsh-group.com



9001101203 (0008) en, ru, kk, uz, ka