



SIEMENS

Fridge-freezer

Холодильно-морозильная комбинация

Салқындату және мұздату

KG..N..

[en] Instruction manual
[ru] Правила пользования
[kk] Пайдалану нұсқаулығы



Register your product on My Siemens and discover exclusive services and offers.
siemens-home.bsh-group.com/welcome

The future moving in.

Siemens Home Appliances

en Table of Contents

Safety and warning information	4	Max. freezing capacity	14
Information concerning disposal	7	Freezing and storing food	14
Scope of delivery	7	Freezing fresh food	15
Installation location	8	Super freezing	16
Observe ambient temperature and ventilation	8	Thawing frozen food	16
Connecting the appliance	8	Interior fittings	16
Getting to know your appliance	9	Sticker "OK"	17
Switching on the appliance	10	Switching off and disconnecting the appliance	17
Setting the temperature	11	Cleaning the appliance	18
Special functions	11	Light (LED)	18
Alarm function	12	Tips for saving energy	19
Usable capacity	12	Operating noises	19
Refrigerator compartment	12	Eliminating minor faults yourself	20
Super cooling	14	Appliance self-test	22
Freezer compartment	14	Customer service	22

ru Содержание

Указания по безопасности и предупреждения	23	замораживания	35
Указания по утилизации	27	Замораживание и хранение продуктов	36
Объем поставки	28	Замораживание свежих продуктов питания	37
Место установки	28	Суперзамораживание	38
Температура окружающей среды и вентиляция	28	Размораживание продуктов	39
Подключение бытового прибора	29	Специальное оснащение	39
Знакомство с бытовым прибором	30	Наклейка «OK»	40
Включение прибора	31	Выключение прибора и вывод его из эксплуатации	40
Установка температуры	31	Чистка прибора	40
Специальные функции	32	Освещение (на светодиодах)	41
Предупредительная функция	32	Как сэкономить электроэнергию	42
Полезный объем	33	Рабочие шумы	42
Холодильное отделение	33	Самостоятельное устранение мелких неисправностей	43
Суперохлаждение	35	Самопроверка прибора	45
Морозильное отделение	35	Сервисная служба	45
Макс. производительность			

Кк Мазмұны

Қауіпсіздік техникасы бойынша нұсқаулар және алдын-ала ескертулер	46	Мұздату бөлімшесі	58
Кәдеге жарату бойынша қатысты нұсқамалар	50	Ең жоғары мұздату қабілеті	58
Жеткізіліп берілетін жиынтықтың көлемі	50	Мұздату және сақтау	59
Орнату жері	51	Жаңа әкелінген өнімдерді мұздату	59
Бөлме температурасы мен желдетуді қадағалап отырыңыз	51	Супер мұздату	60
Бұйымның қосылуы	52	Мұздатылған өнімдерді еріту	61
Бұйыммен танысу	53	Жабдықталуы	61
Электрбұйымды қосу	54	“ОК” жапсырмасы	62
Температурасын қою	54	Тоңазытқышты өшіру және істен шығару	62
Арнайы функциялар	55	Бұйымды тазалау	63
Дабыл функциясы	55	Жарық (СИД)	63
Қолдану үшін сыйымдылық көлемі	56	Энергияны үнемдеу	64
Суыту бөлімі	56	Жұмыс шуылы	64
Super-тоңазыту	58	Шағы ақаулылықтарды өз бетінше жою	65
		Тоңазытқыштың өзін-өзі тексеру	67
		Сервистік қызмет көрсету	67

Safety and warning information

Before you switch ON the appliance

Please read the operating and installation instructions carefully! They contain important information on how to install, use and maintain the appliance. The manufacturer is not liable if you fail to comply with the instructions and warnings. Retain all documents for subsequent use or for the next owner.

Technical safety



Fire hazard

The tubes of the refrigeration circuit convey a small quantity of an environmentally friendly but flammable refrigerant (R600a). It does not damage the ozone layer and does not increase the greenhouse effect. If refrigerant escapes, it may injure your eyes or ignite.

If damage has occurred

- Keep naked flames and/or ignition sources away from the appliance,
- thoroughly ventilate the room for several minutes,
- switch off the appliance and pull out the mains plug,
- inform customer service.

The more refrigerant an appliance contains, the larger the room must be in which the appliance is situated. Leaking refrigerant can form a flammable gas-air mixture in rooms which are too small.

The room must be at least 1 m³ per 8 g of refrigerant. The amount of refrigerant in your appliance is indicated on the rating plate inside the appliance.

When installing the appliance, ensure that the mains cable is not trapped or damaged.

If the power cord of this appliance is damaged, it must be replaced by the manufacturer, Customer Service or a similarly qualified person. Improper installations and repairs may put the user at considerable risk.

Repairs may be performed by the manufacturer, customer service or a similarly qualified person only.

Only original parts supplied by the manufacturer may be used. The manufacturer guarantees that only these parts satisfy the safety requirements.

Do not use multiple sockets, extension leads or adapters.



Fire hazard

Portable multiple outlets or power supplies may overheat, causing a fire. Never leave portable multiple outlets or portable power supplies behind the appliance.

Important information when using the appliance

- Never use electrical appliances inside the appliance (e.g. heaters, electric ice makers, etc.). Risk of explosion!
- Never defrost or clean the appliance with a steam cleaner! The steam may penetrate electrical parts and cause a short-circuit. Risk of electric shock!
- Do not use additional means to accelerate the defrosting process other than those recommended by the manufacturer. Risk of explosion!
- Do not use pointed or sharp-edged implements to remove frost or layers of ice. You might damage the refrigerant tubes. Leaking refrigerant may cause eye injuries or ignite.
- Do not store products which contain flammable propellant (e.g. spray cans) or explosive substances in the appliance. Risk of explosion!
- Do not stand on or lean heavily against the base of the appliance, drawers, doors, etc.
- For defrosting and cleaning, pull out the mains plug or switch off the fuse. Do not pull out the mains plug by tugging on the power cord.
- Store high-percentage alcohol tightly sealed and in an upright position.
- Keep plastic parts and the door seal free of oil and grease. Otherwise, plastic parts and the door seal will become porous.
- Never cover or block the ventilation openings of the appliance.

- **Avoiding placing children and vulnerable people at risk:**

At risk here are children, people who have limited physical, mental or sensory abilities, as well as people who have inadequate knowledge concerning safe operation of the appliance.

Check that children and vulnerable people have understood the hazards.

A person responsible for safety must supervise or instruct children and vulnerable people who are using the appliance.

Only children aged 8 years and above may use the appliance.

Supervise children while the appliance is being cleaned or maintained.

Never allow children to play with the appliance.

- Do not store bottled or canned liquids (especially carbonated drinks) in the freezer compartment. Bottles and cans may burst!
- Never put frozen food straight from the freezer compartment in your mouth.
Risk of low-temperature burns!
- Avoid prolonged touching of frozen food, ice or the evaporator pipes, etc.
Risk of low-temperature burns!

Children in the household

- Keep children away from packaging and its parts.
Danger of suffocation from folding cartons and plastic film!
- Do not allow children to play with the appliance!
- If the appliance features a lock: keep the key out of the reach of children!

General regulations

The appliance is suitable

- for refrigerating and freezing food,
- for making ice.

This appliance is intended for use in the home and the home environment.

The refrigeration circuit has been checked for leaks.

This appliance complies with the relevant safety regulations for electrical appliances and is fitted with noise suppression.

This appliance is intended for use up to a maximum height of 2000 metres above sea level.

Information concerning disposal

Disposal of packaging

The packaging protects your appliance from damage during transit. All utilised materials are environmentally safe and recyclable. Please help us by disposing of the packaging in an environmentally friendly manner.

Please ask your dealer or inquire at your local authority about current means of disposal.

Disposal of your old appliance

Old appliances are not worthless rubbish! Valuable raw materials can be reclaimed by recycling old appliances.



This appliance is labelled in accordance with European Directive 2012/19/EU concerning used electrical and electronic appliances (waste electrical and electronic equipment - WEEE). The guideline determines the framework for the return and recycling of used appliances as applicable throughout the EU.

Warning

Redundant appliances

1. Pull out the mains plug.
2. Cut off the power cord and discard with the mains plug.
3. Do not take out the trays and receptacles: children are therefore prevented from climbing in!
4. Do not allow children to play with the appliance once it has spent its useful life. Danger of suffocation!

Refrigerators contain refrigerant and gases in the insulation. Refrigerant and gases must be disposed of professionally. Ensure that tubing of the refrigerant circuit is not damaged prior to proper disposal.

Scope of delivery

After unpacking all parts, check for any damage in transit.

If you have any complaints, please contact the dealer from whom you purchased the appliance or our customer service.

The delivery consists of the following parts:

- Free-standing appliance
- Interior fittings (depending on model)
- Bag containing installation materials
- Operating instructions
- Installation manual
- Customer service booklet
- Warranty enclosure
- Information on the energy consumption and noises

Installation location

A dry, well ventilated room is suitable as an installation location. The installation location should not be exposed to direct sunlight and not placed near a heat source, e.g. a cooker, radiator, etc. If installation next to a heat source is unavoidable, use a suitable insulating plate or observe the following minimum distances from the heat source:

- 3 cm to electric or gas cookers.
- 30 cm to an oil or coal-fired cooker.

The floor of the installation location must not give way; if required, reinforce floor. If the floor is uneven, compensate with supports.

Distance from wall

When installing the appliance, ensure that the door can be opened by 90°.

Observe ambient temperature and ventilation

Ambient temperature

The appliance is designed for a specific climate class. Depending on the climate class, the appliance can be operated at the following temperatures.

The climate class can be found on the rating plate. Fig. 12

Climate class	Permitted ambient temperature
SN	+10 °C to 32 °C
N	+16 °C to 32 °C
ST	+16 °C to 38 °C
T	+16 °C to 43 °C

Note:

The appliance is fully functional within the room temperature limits of the indicated climatic class. If an appliance of climatic class SN is operated at colder room temperatures, the appliance will not be damaged up to a temperature of +5 °C.

Ventilation

Fig. 2

The air on the rear panel and on the side panels of the appliance heats up. Conduction of the heated air must not be obstructed. Otherwise, the refrigerating unit must work harder. This increases power consumption. Therefore: Never cover or block the ventilation openings!

Connecting the appliance

After installing the appliance, wait at least 1 hour until the appliance is switched on. During transportation the oil in the compressor may have flowed into the refrigeration system.

Before switching on the appliance for the first time, clean the interior of the appliance (see chapter "Cleaning the appliance").

Electrical connection

The socket must be near the appliance and also freely accessible following installation of the appliance.

Warning

Risk of electric shock!

If the length of the mains cable is inadequate, never use multiple sockets or extension leads. Instead, please contact Customer Service for alternatives.

The appliance complies with protection class I. Connect the appliance to 220–240 V/50 Hz alternating current via a correctly installed socket with protective conductor. The socket must be protected by a 10 A to 16 A fuse.

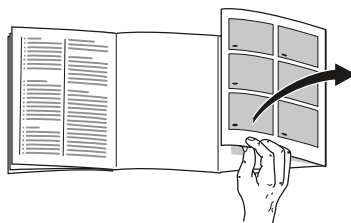
For appliances operated in non-European countries, check whether the indicated voltage and current type match the values of your electricity supply. This information can be found on the rating plate, Fig. 12.

Warning

Never connect the appliance to electronic energy saver plugs.

Our appliances can be used with mains and sine-controlled inverters. Mains-controlled inverters are used for photovoltaic systems which are connected directly to the national grid. Sine-controlled inverters must be used for isolated applications (e.g. on ships or in mountain lodges) which are not connected directly to the national grid.

Getting to know your appliance



Please fold out the illustrated last page. These operating instructions refer to several models.

The features of the models may vary.

The diagrams may differ.

Fig. 1

* Not all models.

- | | |
|-----|---|
| A | Refrigerator compartment |
| B | Freezer compartment |
| 1–8 | Controls |
| 9* | Butter and cheese compartment |
| 10 | Shelf for small bottles |
| 11 | Shelf for large bottles |
| 12 | Light |
| 13* | Bottle shelf |
| 14 | Cold storage compartment |
| 15 | Vegetable container with humidity control |
| 16 | Frozen food container |

Controls

Fig. 4

* Not all models.

- 1 **Refrigerator compartment display panel**
- 2 **Freezer compartment display panel**
- 3 **Temperature display freezer compartment**
The numbers correspond to the set freezer compartment temperatures in °C.
- 4 **Button “lock” function**
If this function is switched on, no settings are possible via the controls.
- 5 **Alarm button**
Used to switch off the warning signal, see chapter “Alarm function”.
- 6 **Setting buttons**
You can use the “+” and “-” button to set the temperature of the refrigerator and freezer compartment. In addition, special functions can be switched on and off.
- 7 **Selection button for appliance zone**
To make settings for one appliance zone, repeatedly press the selection button.
- 8 **Temperature display refrigerator compartment**
The numbers correspond to the set refrigerator compartment temperatures in °C.

Switching on the appliance

1. First insert the plug into the connection on the back of the appliance. Check that the plug has been inserted all the way.
2. Then insert the other end of the cable into the socket.

The appliance is now switched on and a warning signal sounds. Press the alarm off button to switch off the audible warning signal. The alarm off display goes out when the appliance has reached the set temperature. The preset temperatures are reached after several hours. Do not put any food in the appliance beforehand. The factory has recommended the following temperatures:

- Freezer compartment: -18 °C
- Refrigerator compartment: +4 °C

Operating tips

- After the appliance has been switched on, it may take several hours until the set temperatures have been reached.
- The fully automatic NoFrost system ensures that the freezer section remains free of ice. Defrosting is no longer required.
- If the door cannot be immediately re-opened after it has been closed, wait until the resulting low pressure has equalised.
- The front and side panels of the housing are partly heated slightly. This prevents condensation from forming.

Setting the temperature

Fig. 4

Refrigerator section

The temperature can be set from +2°C to +8°C.

1. Select the refrigerator section using the °C button.
2. Keep pressing the +/- buttons until the required temperature is indicated.

Perishable food should not be stored above +4 °C.

Freezer compartment

The temperature can be set from -16°C to -24°C.

1. Select the freezer compartment using the °C button.
2. Keep pressing the +/- buttons until the required temperature is indicated.

Special functions

Fig. 4

Eco function

The “eco” function switches the appliance to energy-saving mode.

1. Select the refrigerator compartment or freezer compartment using the selection buttons.
2. Keep pressing on + until the “eco” display is lit.

The appliance automatically sets the following temperatures:

- Refrigerator compartment: +8 °C
- Freezer compartment: -16 °C

Button lock function

To switch the button lock on and off, press the lock button for 5 seconds.

When the function is switched on, the lock display lights up.

The control panel is now protected against unintentional operation.

Exception to the button lock:

The lock button can be pressed to switch off the button lock.

Alarm function

In the following cases an alarm may be actuated.

Door opening alarm

The door alarm (continuous sound) switches on and the Alarm **4**/5 display is lit if the appliance is left open for too long. Close the appliance to switch off the door alarm.

Temperature alarm

An intermittent signal sounds and the Alarm button is lit.

The temperature alarm switches on if the freezer compartment is too warm and the frozen food is at risk of thawing.

The alarm may switch on without any risk to the frozen food:

- Switch on the appliance for the first time.
- When large quantities of fresh food are placed in the appliance.

Note:

Do not refreeze thawing or thawed food. Only ready meals (boiled or fried) may be refrozen.

No longer store the frozen produce for the max. storage period.

Switching off the alarm

Fig. **4**

Press the alarm button 5 to switch off the warning signal.

Usable capacity

Information on the usable capacity can be found inside your appliance on the rating plate. Fig. **12**

Fully utilising the freezer volume

To place the maximum amount of frozen food in the freezer compartment, you can remove the containers. You can then stack the food directly on the shelf and on the floor of the freezer compartment.

Note:

Avoid contact between food and rear panel. Otherwise the air circulation will be impaired.

Food or packaging could freeze to the rear panel.

Removing the fittings

Pull out the frozen food container all the way, lift at the front and remove. Fig. **9**

Refrigerator compartment

The refrigerator compartment is the ideal storage location for meat, sausage, fish, dairy products, eggs, ready meals and pastries.

Storing food

- Store fresh, undamaged food. The quality and freshness will then be retained for longer.
- In the case of ready-made products and bottled goods, observe the best-before date or use-by date specified by the manufacturer.
- To retain aroma, colour and freshness, pack or cover food well before placing in the appliance. This will prevent the transfer of flavours and the discolouration of plastic parts in the refrigerator compartment.
- Allow warm food and drinks to cool down before placing in the appliance.

Note:

Do not block air outlet openings with food, otherwise the air circulation will be impaired. Food which is stored directly in front of the air outlet openings may be frozen by the cold air flowing out.

Note the chill zones in the refrigerator compartment

The air circulation in the refrigerator compartment creates different chill zones:

- The coldest zones are in front of the air outlet openings and in the chill compartment, Fig. 1/14.

Note:

Store perishable food (e.g. fish, sausage, meat) in the coldest zones.

- Warmest zone is at the very top of the door.

Note:

Store e.g. hard cheese and butter in the warmest zone. The aroma of hard cheese can then continue to develop and butter remains spreadable.

Vegetable container with humidity control

Fig. 7

To create the optimum storage climate for fruit and vegetables, you can set the humidity level in the vegetable container:

- Mainly vegetables as well as for a mixed or small load – high air humidity
- Mainly fruit as well as for a large load – low air humidity

Notes

- Fruit sensitive to cold (e.g. pineapple, banana, papaya and citrus fruit) and vegetables sensitive to cold (e.g. aubergines, cucumbers, zucchini, peppers, tomatoes and potatoes) should be stored outside the refrigerator at temperatures of approx. +8 °C to +12 °C for optimum preservation of quality and flavour.
- Condensation may form in the vegetable container depending on the type and quantity of products stored. Remove condensation with a dry cloth and adjust air humidity in the vegetable container with the humidity controller.

Cold storage compartment

Fig. 6

The cold storage compartment has lower temperatures than the refrigerator compartment. Even temperatures below 0 °C may occur.

Ideal for storing fish, meat and sausage. Not suitable for lettuce and vegetables and produce sensitive to cold.

The temperature of the chill compartments can be varied using the ventilation opening. Push temperature controller upwards to reduce the temperature. Push temperature controller downwards to increase the temperature. Fig. 6

Super cooling

Super cooling sets the refrigerator temperature to the coldest temperature setting for approx. 6 hours. Then the appliance automatically switches to the temperature set prior to super cooling mode.

Switch on super cooling mode, e.g.

- before placing large quantities of food in the refrigerator compartment.
- for the fast cooling of drinks.

Switching on and off

Fig. 4

1. Select the fridge compartment using the °C button.
2. Press the temperature setting button 6 repeatedly until the super display is lit.

You do not need to switch off the super cooling. After 6 hours, the previously set temperature is automatically restored.

Freezer compartment

Use the freezer compartment

- To store deep-frozen food.
- To make ice cubes.
- To freeze food.

Note:

Ensure that the freezer compartment door has been closed properly. If the door is open, the frozen food will thaw. The freezer compartment will become covered in thick ice. Also: waste of energy due to high power consumption!

Max. freezing capacity

Information about the max. freezing capacity within 24 hours can be found on the rating plate. Fig. 12

Prerequisites for max. freezing capacity

- Switch on super freezing before placing fresh products in the compartment (see chapter entitled “Super freezing”).
- Remove containers; stack food directly on the shelf and on the floor of the freezer compartment.
- Freeze large quantities of food preferably in the very top compartment where food freezes particularly quickly and therefore also gently.

Freezing and storing food

Purchasing frozen food

- Packaging must not be damaged.
- Use by the “use by” date.
- Temperature in the supermarket freezer must be -18 °C or lower.
- If possible, transport deep-frozen food in an insulated bag and place quickly in the freezer compartment.

Note when loading products

- Preferably freeze large quantities of food in the top compartment, where food freezes particularly quickly and therefore also gently.
- Place the food over the whole area of the compartments or the frozen food containers.

Note:

Food which is already frozen must not come into contact with the food which is to be frozen. If required, move the frozen food to other frozen food containers.

Storing frozen food

Insert frozen food container all the way to ensure unrestricted air circulation.

Freezing fresh food

Freeze fresh and undamaged food only.

To retain the best possible nutritional value, flavour and colour, vegetables should be blanched before freezing. Aubergines, peppers, zucchini and asparagus do not require blanching. Literature on freezing and blanching can be found in bookshops.

Note:

Keep food which is to be frozen away from food which is already frozen.

- The following foods are suitable for freezing:
 - Cakes and pastries, fish and seafood, meat, game, poultry, vegetables, fruit, herbs, eggs without shells, dairy products such as cheese, butter and quark, ready meals and leftovers such as soups, stews, cooked meat and fish, potato dishes, soufflés and desserts.
- The following foods are not suitable for freezing:
 - Types of vegetables, which are usually consumed raw, such as lettuce or radishes, eggs in shells, grapes, whole apples, pears and peaches, hard-boiled eggs, yoghurt, soured milk, sour cream, crème fraîche and mayonnaise.

Packing frozen food

To prevent food from losing its flavour or drying out, place in airtight containers.

1. Place food in packaging.
2. Remove air.
3. Seal the wrapping.
4. Label packaging with contents and date of freezing.

Suitable packaging:

Cling wrap, tubular film made of polyethylene, aluminium foil, freezer containers.

These products are available from specialist outlets.

Unsuitable packaging:

Wrapping paper, greaseproof paper, cellophane, bin liners and used shopping bags.

Items suitable for sealing packaged food:

Rubber bands, plastic clips, string, cold-resistant adhesive tape, etc.

Bags and tubular film made of polyethylene (PE) can be sealed with a film heat sealer.

Shelf life of frozen food

Storage duration depends on the type of food.

At a temperature of -18 °C:

- Fish, sausage, ready meals and cakes and pastries:
 - up to 6 months
- Cheese, poultry and meat:
 - up to 8 months
- Vegetables and fruit:
 - up to 12 months

Super freezing

Food should be frozen solid as quickly as possible in order to retain vitamins, nutritional value, appearance and flavour. Several hours before placing fresh food in the freezer compartment, switch on super freezing to prevent an unwanted temperature rise.

As a rule, 4–6 hours is adequate.

This appliance runs constantly and the freezer compartment drops to a very low temperature.

If the max. freezing capacity is to be used, super freezing must be switched on for 24 hours before the fresh produce is placed in the freezer compartment.

Smaller quantities of food (up to 2 kg) can be frozen without “super freezing”.

Note:

When super freezing is switched on, increased operating noises may occur.

Switching on and off

Fig. 4

1. Select the freezer compartment area with the selection button 7.
2. Keep pressing the temperature setting button 6 until the super display is lit.

Super freezing automatically switches off after approx. 2½ days.

Thawing frozen food

Depending on the type and application, select one of the following options:

- at room temperature
- in the refrigerator
- in an electric oven, with/without fan assisted hot-air
- in the microwave



Caution!

Do not refreeze thawing or thawed food. Only ready meals (boiled or fried) may be refrozen.

No longer store the frozen produce for the max. storage period.

Interior fittings

Shelves and containers

You can reposition the inner shelves and the containers in the door as required: pull shelf forwards, lower and swivel out to the side. Lift the container and remove.

Special features

(not all models)

Bottle shelf

Fig. 5

Bottles can be stored securely on the bottle shelf.

Ice cube tray

Fig. 11

1. Fill the ice cube tray $\frac{3}{4}$ full of drinking water and place in the freezer compartment.
2. If the ice tray is stuck to the freezer compartment, loosen with a blunt implement only (spoon-handle).
3. To loosen the ice cubes, twist the ice tray slightly or hold briefly under flowing water.

Freezer calendar

Fig. 10

To prevent the quality of the frozen food from deteriorating, do not exceed the storage duration. The figures next to the symbols indicate the permitted storage period of the produce in months. In the case of commercially available frozen food observe the date of manufacture or use-by date.

Ice block

If a power failure or malfunction occurs, the ice blocks can be used to slow down the thawing process. The longest storage time is obtained by placing the ice pack on the food in the top compartment. The ice blocks can also be used to cool food temporarily, e. g. in a cold bag.

Sticker “OK”

(not all models)

The sticker “OK” lets you check whether the refrigerator compartment achieves the safe temperature ranges of +4 °C or colder recommended for food. If the sticker does not indicate “OK”, gradually reduce the temperature.

Note:

When the appliance is switched on, it may take up to 12 hours until the set temperature is reached.



Correct setting

Switching off and disconnecting the appliance

Switching off the appliance

Press "+" button for 10 seconds. Refrigeration unit switches off.

Disconnecting the appliance

If you do not use the appliance for a prolonged period:

1. Pull out the mains plug or switch off the fuse.
2. Clean the appliance.
3. Leave appliance doors open.

Cleaning the appliance

Caution!

- Do not use abrasive, chloride or acidic cleaning agents or solvents.
- Do not use scouring or abrasive sponges.
The metallic surfaces could corrode.
- Never clean shelves and containers in the dishwasher.
The parts may become deformed!

The cleaning water must not get into the following areas:

- Controls
- Illumination
- Ventilation openings
- Openings in the separating plate

Proceed as follows:

1. Pull out the mains plug or switch off the fuse.
2. Take out the frozen food and store in a cool location. Place ice pack (if available) on the food.
3. The rinsing water must not drip into the controls, lighting, ventilation openings or the openings in the partition!
Clean the appliance with a soft cloth, lukewarm water and a little pH-neutral washing-up liquid.
4. Wipe the door seal with clear water only and then wipe dry thoroughly.
5. After cleaning reconnect the appliance.
6. Put the frozen food back into the appliance.

Interior fittings

All variable parts of the appliance can be taken out for cleaning.

Take out shelves in the door

Fig. **3**

Lift shelves upwards and take out.

Take out glass shelves

Pull the glass shelves forwards and take out.

Removing the container

Fig. **8**

Pull out the container all the way, lift at the front and remove.

Taking out the frozen food container

Fig. **9**

Pull out the frozen food container all the way, lift at the front and remove.

Light (LED)

Your appliance features a maintenance-free LED light.

These lights may be repaired by customer service or authorised technicians only.

Tips for saving energy

- Install the appliance in a dry, well ventilated room! The appliance should not be installed in direct sunlight or near a heat source (e.g. radiator, cooker).
If required, use an insulating plate.
- Allow warm food and drinks to cool down before placing in the appliance.
- Thaw frozen food in the refrigerator compartment and use the low temperature of the frozen food to cool refrigerated food.
- Open the appliance as briefly as possible.
- To achieve the lowest energy consumption, leave a small wall gap at the side.
- The arrangement of the fittings does not affect the energy rating of the appliance.

Operating noises

Quite normal noises

Note:

When super freezing is switched on, increased operating noises may occur.

Droning

Motors are running (e.g. refrigerating units, fan).

Bubbling, humming or gurgling noises

Refrigerant is flowing through the tubing.

Clicking

Motor, switches or solenoid valves are switching on/off.

Cracking

Automatic defrosting is running.

Preventing noises

The appliance is not level

Please align the appliance with a spirit level. Use the height-adjustable feet or place packing underneath them.

The appliance is not free-standing

Please move the appliance away from adjacent units or appliances.

Containers or storage areas wobble or stick

Please check the removable parts and re-insert them correctly if required.

Bottles or receptacles are touching each other

Move the bottles or receptacles slightly away from each other.

Eliminating minor faults yourself

Before you call customer service:

Please check whether you can eliminate the fault yourself based on the following information.

Customer service will charge you for advice – even if the appliance is still under guarantee!

Fault	Possible cause	Remedial action
Temperature differs greatly from the set value.		In some cases it is adequate to switch off the appliance for 5 minutes. If the temperature is too high wait a few hours and check whether the temperature has approached the set value. If the temperature is too low check the temperature again the next day.
It is too cold in the refrigerator section or in the chill compartment.		Increase the temperature in the refrigerator section. Push temperature controller for the chill compartment downwards. Fig. 6
The temperature in the freezer compartment is too warm.	Appliance opened frequently.	Do not open the appliance unnecessarily.
	The ventilation openings have been covered.	Remove obstacles.
	Large quantities of fresh food are being frozen.	Do not exceed max. freezing capacity.
Appliance is not cooling, temperature display and light are lit.	Showroom mode is switched on.	Hold down alarm button, Fig 4 /5, for 10 seconds until an acknowledgement signal sounds. After a short time check whether your appliance is cooling.
The side panels of the appliance are warm.	Pipes run into the side panels which heat during the cooling process.	That is normal behaviour for the appliance and not a fault. Furniture touching the appliance will not be damaged by the heat.
The light does not function.	The LED light is defective.	See chapter “Light (LED)” section.
	Appliance was open too long. Light is switched off after approx. 10 min.	When the appliance is closed and opened, the light is on again.

Fault	Possible cause	Remedial action
Displays do not illuminate.	Power failure; the fuse has been switched off; the mains plug has not been inserted properly.	Connect mains plug. Check whether the power is on, check the fuses.
Freezer compartment door was open for a long time; temperature is no longer reached.	The evaporator (refrigeration generator) in the NoFrost system is covered in thick ice and can no longer be defrosted fully automatically.	To defrost the evaporator, remove the frozen food with the compartments, insulate well and store in a cool location. Switch off the appliance and move it away from the wall. Leave the appliance door open. After approx. 20 min. the condensation begins to run into the evaporation pan, at the rear of the appliance. To prevent the evaporation pan from overflowing in this case, mop up the condensation with a sponge. The evaporator is defrosted when the water stops running into the evaporation pan. Clean the interior. Switch the appliance back on again.

Appliance self-test

Your appliance features an automatic self-test program which shows you sources of faults which may be repaired by customer service only.

Starting the appliance self-test

1. Switch off the appliance and wait 5 minutes.
2. Switch on appliance and press and hold the button „-“ for 3-5 seconds within the first 10 seconds, until an audible signal sounds.

The self-test programme starts.

While the self-test is running, a long acoustic signal sounds.

When the self-test ends and an acoustic signal sounds twice, your appliance is in working order.

If 5 audible signals sound, there is an error. Inform customer service.

Ending the appliance self-test

When the programme has ended, the appliance switches over to normal operation.

Customer service

Your local customer service can be found in the telephone directory or in the customer-service index. Please provide customer service with the appliance product number (E-Nr.) and production number (FD-Nr.).

This information can be found on the rating plate. Fig. **12**

To prevent unnecessary call-outs, please assist customer service by quoting the product and production numbers. This will save you additional costs.

Repair order and advice on faults

Contact information for all countries can be found on the enclosed customer service list.

GB	0344 892 8999	Calls charged at local or mobile rate.
IE	01450 2655	0.03 € per minute at peak. Off peak 0.0088 € per minute.
US	866 447 4363	toll-free

Указания по безопасности и предупреждения

Прежде чем ввести прибор в эксплуатацию

Внимательно прочтите инструкцию по монтажу и эксплуатации! В ней содержится важная информация по установке, использованию и техническому обслуживанию прибора.

Изготовитель не несет никакой ответственности за последствия, если Вы не соблюдали указания и предупреждения, приведенные в инструкции по эксплуатации. Сохраните всю документацию для позднейшего использования или для передачи ее следующему владельцу прибора.

Техническая безопасность



Опасность возгорания в трубах контура циркуляции хладагента имеется в небольшом количестве экологически безвредный, но горючий хладагент (R600a). Он не разрушает озоновый слой и не способствует развитию парникового эффекта. При вытекании хладагент может привести к травмам глаз или воспламенению.

При повреждениях:

- Не подходите близко к бытовому прибору с открытым пламенем или какими-либо иными источниками воспламенения,
- хорошо проветрите помещение в течение нескольких минут,
- выключите холодильник и извлеките вилку из розетки,
- сообщите о повреждениях в сервисную службу.

Чем большее количество хладагента содержится в бытовом приборе, тем больше должно быть помещение, в котором он установлен. В слишком маленьких помещениях при утечке хладагента может образоваться горючая смесь паров хладагента с воздухом. На каждые 8 г хладагента должен приходиться как минимум 1 м³ помещения. Количество хладагента, содержащееся в Вашем бытовом приборе, приведено в фирменной табличке, расположенной внутри бытового прибора. При установке прибора не допускать зажатия или повреждения сетевого шнура. В случае повреждения сетевой шнур данного прибора заменяется изготовителем, сервисной службой или специалистом с соответствующей квалификацией. В связи с ненадлежащим образом выполненной установкой и ремонтом может возникнуть серьезная опасность для пользователя. Ремонт производится только изготовителем, сервисной службой или специалистом с соответствующей квалификацией.

Разрешается использовать только оригинальные запчасти изготовителя. Только в отношении этих деталей изготовитель гарантирует, что они отвечают требованиям техники безопасности. Не используйте многоконтактные розетки, удлинительные кабели или адаптеры.



Опасность возгорания
Переносные многоконтактные розетки или переносные сетевые узлы могут перегреться и стать причиной возгорания. Не устанавливать переносные многоконтактные розетки или переносные сетевые узлы за прибором.

При эксплуатации

- Ни в коем случае не используйте электрические приборы внутри данного прибора (например, нагревательные приборы, электрические мороженицы и проч.). Взрывоопасность!
- Ни в коем случае не размораживайте и не чистите прибор с помощью парочистителя! Пар может проникнуть в электрические детали и вызвать короткое замыкание. Опасность поражения электрическим током!
- Если это не указано производителем, не предпринимайте дополнительные меры, чтобы ускорить оттаивание. Взрывоопасность!
- Не используйте предметы с острым концом или острыми краями для удаления слоев инея или льда. Тем самым вы можете повредить трубки, по которым циркулирует хладагент. Брызги хладагента могут воспламениться или привести к поражению глаз.
- Не храните продукты с горючими газами-вытеснителями (например, аэрозольные баллончики), а также взрывоопасные вещества. Взрывоопасность!
- Не используйте цокольную подставку, выдвижные полки, дверцы и проч. в качестве подножки или опоры.
- Для размораживания и чистки извлеките вилку из розетки или отключите предохранитель. При извлечении вилки из розетки следует тянуть за вилку, а не за сетевой шнур.
- Крепкие алкогольные напитки храните только плотно закрытыми и в вертикальном положении.
- Не допускайте попадания масла или жира на пластиковые детали и уплотнитель дверцы. Иначе пластиковые детали и уплотнитель дверцы станут пористыми.
- Ни в коем случае не закрывайте и не загромождайте вентиляционные отверстия прибора.

■ Предупреждение рисков для детей и подверженных опасности лиц

К подверженным опасности лицам относятся дети, лица с физическими и психическими ограничениями или с ограниченным восприятием, а также лица, не обладающие достаточными знаниями для надежной эксплуатации прибора.

Убедитесь в том, что дети и подверженные опасности лица осознали грозящие опасности.

При использовании прибора дети и подверженные опасности лица должны находиться под присмотром или руководством лица, отвечающего за их безопасность.

Пользоваться прибором разрешается только детям старше 8 лет.

Во время чистки и технического обслуживания дети должны находиться под присмотром.

Ни в коем случае не позволять детям играть с прибором.

- В морозильном отделении нельзя хранить жидкости в бутылках или жестяных банках (особенно газированные напитки). Бутылки и банки могут лопнуть!
- Замороженные продукты никогда не берите в рот сразу после извлечения из морозильного отделения. Опасность холодового ожога!
- Избегайте продолжительного контакта рук с замороженными продуктами, льдом или трубками испарителя и проч. Опасность холодового ожога!

Если в доме есть дети

- Упаковку и ее составные части нельзя отдавать детям. Существует опасность удушья, которой дети подвергаются, закрывшись в картонной коробке или запутавшись в полиэтиленовой пленке!
- Холодильник – это не игрушка для детей!
- В случае с холодильниками, дверь которых закрывается на замок: храните ключ от замка в недоступном для детей месте!

Общая информация

Бытовой прибор предназначен

- для охлаждения и замораживания продуктов питания,
- для приготовления пищевого льда.

Этот прибор предназначен для использования в частном домашнем хозяйстве и в бытовых условиях.

Контур циркуляции хладагента проверен на герметичность.

Данный прибор соответствует действующим нормам технической безопасности и отвечает предписаниям по защите от радиопомех.

Данный прибор предназначен для использования на высоте не более 2000 м над уровнем моря.

Указания по утилизации

Утилизация упаковки

Весь упаковочный материал, который использовался для защиты холодильника при транспортировке, пригоден для вторичной переработки и не наносит вреда окружающей среде. Внесите, пожалуйста, и Вы свой вклад в дело защиты окружающей среды, сдав упаковку на экологичную утилизацию.

Информацию об актуальных методах утилизации Вы можете получить у Вашего торгового агента или в административных органах по месту Вашего жительства.

Утилизация старого холодильника

Отслужившие свой срок старые бытовые холодильники нельзя рассматривать как бесполезные отходы! Благодаря экологичной утилизации из них удастся получить ценное сырье.



Данный прибор имеет отметку о соответствии европейским нормам 2012/19/EU утилизации электрических и электронных приборов (waste electrical and electronic equipment - WEEE). Данные нормы определяют действующие на территории Евросоюза правила возврата и утилизации старых приборов.



Предупреждение

В случае с отслужившими свой срок холодильниками:

1. Извлеките вилку из розетки.
2. Отрежьте сетевой шнур и уберите его подальше вместе с вилкой.
3. Полки, боксы и контейнеры извлекать не следует, чтобы дети не смогли забраться внутрь холодильника!
4. Не позволяйте детям играть со старым бытовым прибором. Опасность удушья!

В холодильной установке содержится хладагент, а в изоляции бытового прибора – газы, утилизация которых должна проводиться квалифицированно. Трубки контура, по которому циркулировал хладагент, ни в коем случае не должны быть повреждены до начала утилизации.

Объем поставки

Убедитесь в отсутствии возможных повреждений элементов при транспортировке, освободив все элементы от упаковки.

С рекламациями обращайтесь в магазин, в котором Вы приобрели прибор, или в нашу сервисную службу. В комплект поставки входят следующие элементы:

- Напольный прибор
- Оснащение (в зависимости от модели)
- Мешок с монтажными материалами
- Инструкция по эксплуатации
- Инструкция по монтажу
- Книжка сервисной службы
- Гарантия в приложении
- Информация о расходе электроэнергии и шумах

Место установки

Лучше всего устанавливать бытовой прибор в сухом, хорошо проветриваемом помещении. На прибор не должны попадать прямые солнечные лучи, и он не должен располагаться в непосредственной близости от таких источников тепла, как плита, радиатор отопления и пр. Если этого не удастся избежать, то необходимо воспользоваться подходящей плитой из изолирующего материала или расположить прибор таким образом, чтобы выдерживались следующие расстояния до источника тепла:

- До электрической и газовой плит: 3 см.
- До плиты, отапливаемой жидким топливом или углем: 30 см.

Пол на месте установки прибора не должен прогибаться, при необходимости его следует упрочнить. Возможные неровности пола следует компенсировать с помощью подложек.

Расстояние от стены

Установите прибор так, чтобы двери открывались под углом 90°.

Температура окружающей среды и вентиляция

Температура окружающей среды

Холодильник относится к определенному климатическому классу. В зависимости от климатического класса, холодильник может работать при приведенных ниже значениях температуры окружающей среды.

Климатический класс прибора указан в его типовой табличке (рисунок 12).

Климатический класс	Допустимая температура окружающей среды
SN	от +10 °C до +32 °C
N	от +16 °C до +32 °C
ST	от +16 °C до +38 °C
T	от +16 °C до +43 °C

Указание:

Полная функциональность прибора обеспечена в пределах температуры окружающей среды указанного климатического класса. Если прибор климатического класса SN работает при более низкой температуре окружающей среды, то повреждения прибора можно исключить до температуры +5 °С.

Вентиляция

Рисунок **2**

Воздух у задней стенки прибора и у его боковых стенок нагревается. Нагретый воздух должен иметь возможность беспрепятственно подниматься вверх. Иначе холодильный агрегат должен будет работать с повышенной нагрузкой. А это повышает расход электроэнергии. Поэтому: Никогда не закрывайте и ничем не загромождайте вентиляционные отверстия холодильника!

Подключение бытового прибора

После установки бытового прибора следует подождать как минимум 1 час и только потом вводить его в эксплуатацию. Так как не исключено, что во время транспортировки бытового прибора содержащееся в компрессоре масло могло попасть в систему охлаждения.

Перед вводом бытового прибора в эксплуатацию в первый раз следует почистить его изнутри (смотрите раздел «Чистка бытового прибора»).

Подключение к электросети

Розетка должна находиться вблизи прибора и в свободно доступном месте также после установки прибора.

**Предупреждение**

Опасность поражения электрическим током!

Если длина сетевого шнура недостаточна, ни в коем случае не используйте многоконтактные розетки или удлинительные кабели. Обратитесь в сервисную службу, где вам предложат альтернативные варианты.

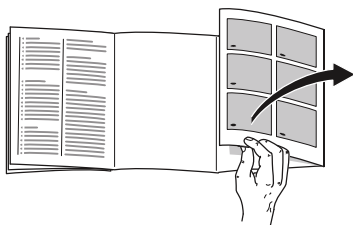
Прибор соответствует классу защиты I. Прибор подключайте к сети переменного тока 220–240 В/50 Гц с помощью установленной надлежащим образом розетки с защитным заземлением. Сетевая розетка должна быть оснащена предохранителем на 10–16 А.

Применительно к бытовым приборам, которые будут эксплуатироваться в неевропейских странах, необходимо проверить, чтобы значение напряжения и вид тока совпадали с параметрами электросети пользователя. Эти данные приведены на типовой табличке холодильника, рисунок **12**.

**Предупреждение**

Прибор нельзя ни в коем случае подключать к электронным энергосберегающим штекерам. Для использования наших бытовых приборов можно применять ведомые сетью и синусные инверторы. Ведомые сетью инверторы применяются в фотогальванических энергетических установках, которые подсоединяются непосредственно к общественной сети энергоснабжения. В изолированных условиях (напр., на кораблях или в горных приютах) без непосредственного подсоединения к общественной электросети необходимо применение синусных инверторов.

Знакомство с бытовым прибором



Откройте, пожалуйста, последние страницы с рисунками. Данная инструкция по эксплуатации действительно для нескольких моделей. Комплектация моделей может отличаться друг от друга. Поэтому в рисунках не исключены некоторые отличия.
Рисунок **1**

* Не во всех моделях.

A Холодильное отделение

B Морозильное отделение

- 1–8 Элементы управления
- 9* Отделение для масла и сыра
- 10 Полка для маленьких бутылок
- 11 Полка для больших бутылок
- 12 Освещение
- 13* Полка для бутылок
- 14 Отделение с пониженной температурой
- 15 Контейнер для овощей и фруктов с регулятором влажности
- 16 Бокс для замороженных продуктов

Элементы управления

Рисунок **4**

* Не во всех моделях.

- 1 **Участок дисплея для холодильного отделения**
- 2 **Участок дисплея для морозильного отделения**
- 3 **Индикация температуры в морозильном отделении**
Цифры соответствуют значениям установленной для морозильного отделения температуры в °С.
- 4 **Функция блокировки кнопок Lock**
В случае включения этой функции Вы не сможете произвести установки с помощью элементов управления.
- 5 **Кнопка «alarm»**
Данная кнопка служит для выключения предупредительного сигнала (смотрите раздел «Предупредительная функция»).
- 6 **Кнопки настройки**
С помощью кнопок «+» и «-» Вы можете установить температуру холодильного и морозильного отделения. Также Вы можете включать и выключать специальные функции.
- 7 **Кнопка выбора отделения прибора**
Чтобы можно было выполнить настройки для одного из отделений прибора, нажмите несколько раз на кнопку выбора.
- 8 **Индикатор температуры в холодильном отделении**
Цифры соответствуют значениям установленной для холодильного отделения температуры в °С.

Включение прибора

1. Вставьте сначала штекер в гнездо на задней стенке прибора. Проверьте, вставлен ли штекер до отказа.
2. Подсоедините затем другой конец кабеля к розетке.

Прибор теперь включен, и звучит предупредительный сигнал.

Нажмите на кнопку alarm off, чтобы отключить предупредительный сигнал. Индикация alarm off гаснет, как только прибор достигнет заданной температуры.

Заданные температуры будут достигнуты через несколько часов. Раньше этого срока загружать продукты в бытовой прибор нельзя. Специалистами завода-изготовителя рекомендуются следующие установочные значения температуры:

- Морозильное отделение: -18 °C
- Холодильное отделение: +4 °C

Указания по эксплуатации

- После включения прибору может потребоваться несколько часов для достижения установленного уровня температуры.
- Благодаря полностью автоматической системе «No Frost» внутри морозильного отделения лед не образуется. В размораживании больше нет необходимости.
- Если после закрывания дверцу не удастся сразу снова открыть, то нужно подождать некоторое время, пока компенсируется создавшееся внутри отделения пониженное давление.
- Передняя сторона и боковые стенки корпуса частично слегка подогреваются. Это предотвращает образование конденсата.

Установка температуры

Рисунок 4

Холодильное отделение

Температура регулируется в диапазоне от +2 °C до +8 °C.

1. Выберите холодильное отделение кнопкой °C.
2. Нажимайте на кнопки +/- до тех пор, пока на дисплее не появится нужная температура.

Скоропортящиеся продукты не должны храниться при температуре выше +4 °C.

Морозильное отделение

Температура регулируется в диапазоне от -16 °C до -24 °C.

1. Выберите морозильное отделение кнопкой °C.
2. Нажимайте на кнопки +/- до тех пор, пока на дисплее не появится нужная температура.

Специальные функции

Рисунок 4

Функция есо

После включения функции «есо» бытовой прибор переходит на работу в режиме экономии электроэнергии.

1. Выберите холодильное или морозильное отделение с помощью кнопок выбора.
2. Нажимать на + до тех пор, пока не засветится индикатор «есо».

Бытовой прибор устанавливает автоматически следующую температуру:

- Холодильное отделение: +8 °C
- Морозильное отделение: -16 °C

Функция блокировки кнопок Lock

Для включения и выключения блокировки кнопок держите нажатой кнопку lock 5 секунд.

При включенной функции светится индикация lock.

При этом панель управления предохранена от нежелательных операций управления.

Снятие блокировки кнопок:

Для выключения блокировки кнопок и при звуковом предупредительном сигнале можно нажать на кнопку lock.

Предупредительная функция

Предупредительная сигнализация может включиться в следующих случаях.

Предупредительный сигнал при открытой дверце

Предупредительный сигнал при открытой дверце (непрерывный звуковой сигнал) включается и индикатор Alarm 4/5 светится, если прибор остается слишком долго открытым. Предупредительный сигнал при открытой дверце выключается после закрытия дверцы.

Сигнализация предупреждения о повышении температуры

Прерывистый звуковой сигнал звучит и кнопка «alarm» светится.

Предупредительный сигнал при повышении температуры включается, если в морозильном отделении становится слишком тепло и замороженные продукты могут разморозиться.

Предупредительная сигнализация может включиться, даже если замороженным продуктам не угрожает размораживание, в следующих случаях:

- При вводе прибора в эксплуатацию.
- При загрузке большого количества свежих продуктов питания.

Указание:

Подтаявшие или полностью размороженные продукты нельзя снова замораживать. Только после тепловой обработки продуктов (их можно сварить или поджарить) готовые блюда можно снова заморозить.

Но готовые блюда нельзя хранить так долго, как свежие продукты.

Отключение предупредительной сигнализации

Рисунок **4**

Нажмите на кнопку «alarm» 5, чтобы отключить предупредительный сигнал.

Полезный объем

Данные, касающиеся полезного объема, Вы сможете найти, внутри своего бытового прибора на типовой табличке. Рисунок **12**

Использование всего объема морозильного отделения

Для того, чтобы разместить максимальное количество замороженных продуктов, контейнеры можно извлечь. Продукты можно затем складывать прямо на полке и на дне морозильного отделения.

Указание:

Избегайте касания продуктами питания задней стенки. Это нарушит циркуляцию воздуха.

Продукты питания или упаковки могут примерзнуть к задней стенке.

Извлечение элементов оснащения

Вытяните бокс для замороженных продуктов до упора, приподнимите спереди и извлеките. Рисунок **9**

Холодильное отделение

Холодильное отделение обеспечивает идеальные условия для хранения мяса, колбасы, рыбы, молочных продуктов, яиц, готовых блюд и выпечки.

При размещении продуктов учитывать следующее

- Загружайте свежие, неповрежденные продукты. Таким образом дольше сохранятся качество и свежесть продуктов.
- Следить за указанными изготовителями сроками годности или сроками хранения готовых продуктов и развесных товаров.
- Для сохранения аромата, цвета и свежести загружать продукты в плотной упаковке или в закрытой посуде. Таким образом можно избежать изменения вкуса продуктов, а также изменения цвета пластмассовых деталей в холодильном отделении.
- Горячие блюда и напитки сначала охладить а потом поставить в прибор.

Указание:

Во избежание нарушения циркуляции воздуха, не загораживайте продуктами отверстия для выхода воздуха.

Продукты питания, расположенные непосредственно перед этими отверстиями, могут заморозиться в потоке холодного воздуха.

Обратите внимание на различные температурные зоны в холодильном отделении

Из-за циркуляции воздуха в холодильном отделении возникают различные температурные зоны:

- Зоны самых низких температур находятся перед воздуховыпускными отверстиями и в отделении с пониженной температурой, рисунок **1**/14.

Указание:

Храните в зонах самых низких температур скоропортящиеся продукты (напр.: рыбу, колбасу, мясо).

- Зона самой высокой температуры находится в самой верхней части дверцы.

Указание:

Храните в зоне самой высокой температуры, напр., твердый сыр и масло. Аромат твердого сыра может развиваться дальше, а консистенция сливочного масла остается мягкой.

Контейнер для овощей и фруктов с регулятором влажности

Рисунок **7**

Для создания оптимальных условий хранения для фруктов и овощей Вы можете отрегулировать влажность воздуха в контейнере для овощей в соответствии с количеством загруженных продуктов:

- преимущественно овощи а также при смешанной загрузке или малой загрузке – высокая влажность воздуха

- преимущественно фрукты, а также при высокой загрузке – низкая влажность воздуха

Указания

- Чувствительные к низким температурам фрукты (напр.: ананасы, бананы, папайю и цитрусовые) и овощи (напр.: баклажаны, огурцы, цуккини, паприку, помидоры и картофель) для оптимального сохранения качества и аромата следует хранить вне холодильника при температурах от +8 °C до +12 °C.
- В зависимости от количества и вида хранимых продуктов в контейнере для овощей может образовываться конденсат. Вытереть конденсат сухой тряпочкой и отрегулировать влажность воздуха в контейнере для овощей при помощи регулятора влажности.

Отделение с пониженной температурой

Рисунок **6**

В отделении с пониженной температурой создается более низкая температура, чем в холодильном отделении. Температура может опускаться даже ниже 0 °C.

Эти условия идеальны для хранения рыбы, мяса и колбасы. Листовые салаты, овощи и продукты, чувствительные к воздействию низкой температуры, здесь хранить нельзя. Температуру в отделениях с пониженной температурой можно регулировать с помощью вентиляционного отверстия. Регулятор температуры передвинуть вверх, чтобы понизить температуру. Регулятор температуры передвинуть вниз, чтобы повысить температуру. Рисунок **6**

Суперохлаждение

При этом холодильное отделение в течение 6 часов охлаждается до самой низкой предельно-допустимой температуры. Затем происходит автоматическое переключение на установленную до включения суперохлаждения температуру. Функцию суперохлаждения следует включать, например

- перед загрузкой большого количества продуктов питания,
- для быстрого охлаждения напитков.

Включение и выключение

Рисунок **4**

1. Выберите холодильное отделение кнопкой °C.
2. Нажимайте на кнопку установки температуры 6 до тех пор, пока не загорится индикация «Super».

Режим суперохлаждения выключать не требуется. Спустя 6 часов прибор автоматически переключится на ранее установленную температуру.

Морозильное отделение

Использование морозильного отделения

- Для хранения замороженных продуктов питания.
- Для приготовления кубиков пищевого льда.
- Для замораживания свежих продуктов.

Указание:

Следите, пожалуйста, за тем, чтобы дверца морозильного отделения всегда была закрыта! Так как при открытой двери замороженные продукты могут подтаять и стенки морозильного отделения покрываются толстым слоем льда. Кроме того: расточительно расходуется электроэнергия из-за повышенного потребления тока!

Макс. производительность замораживания

Данные по макс. производительности замораживания в течение 24 часов Вы найдете в фирменной табличке.

Рисунок **12**

Условия для максимальной производительности замораживания

- Включите суперзамораживание перед загрузкой свежих продуктов (см. раздел «Суперзамораживание»).
- Извлекать контейнеры; продукты сложить прямо на полке и на дне морозильного отделения.
- Большое количество продуктов лучше всего замораживать в самом верхнем отделении. Там они замораживаются очень быстро и благодаря этому в щадящих условиях.

Замораживание и хранение продуктов

Покупка замороженных продуктов

- Упаковка не должна быть повреждена.
- Обращайте внимание на указанный срок хранения.
- Температура в морозильном шкафу в магазине должна быть -18°C или ниже.
- Замороженные продукты перед транспортировкой следует по возможности сложить в термоизолирующую сумку и дома побыстрее загрузить в морозильное отделение.

При размещении продуктов учитывать следующее

- Большое количество продуктов предпочтительнее замораживать в самом верхнем отделении. Там они замораживаются особенно быстро, а значит и бережно.
- Расположить продукты свободно в отделениях или в боксах для замороженных продуктов.

Указание:

Уже замороженные продукты не должны соприкасаться со свежими продуктами, предназначенными для замораживания. При необходимости, полностью промороженные продукты переложить в другие боксы для замороженных продуктов.

Хранение замороженных продуктов

Бокс для замороженных продуктов задвиньте до упора в целях обеспечения оптимальной циркуляции воздуха.

Замораживание свежих продуктов питания

Для замораживания следует брать только абсолютно свежие продукты питания.

Чтобы как можно лучше сохранить пищевую ценность, аромат и цвет, овощи следует перед замораживанием бланшировать. Бланширование не требуется для баклажанов, сладкого стручкового перца, кабачков и спаржи. Литературу о замораживании и бланшировании Вы найдете в книжных магазинах.

Указание:

Постарайтесь, чтобы предназначенные для замораживания свежие продукты питания не соприкасались с уже замороженными продуктами.

- Замораживать можно: выпечку, рыбу и морепродукты, мясо, дичь, птицу, овощи, фрукты, зелень, яйца без скорлупы, молочные продукты, напр., сыр, масло и творог, готовые блюда и остатки приготовленных блюд, напр., супы, рагу, приготовленные мясо и рыбу, блюда из картофеля, запеканки и сладкие блюда.
- Замораживать нельзя: употребляемые в пищу преимущественно в сыром виде овощи, напр., листовые салаты или редиска, яйца в скорлупе, виноград, целые яблоки, груши, персики, сваренные вкрутую яйца, йогурт, простоквашу, сметану, крем-фреш и майонез.

Упаковка продуктов для замораживания

Упакуйте продукты герметично, чтобы они не потеряли вкус и не вымерзли.

1. Положите продукты в упаковку.
2. Выдавите из упаковки весь воздух.
3. Герметично закройте упаковку.
4. Укажите на упаковке, что в ней находится, и когда продукты были заморожены.

В качестве упаковки можно использовать:

пленку из различных синтетических материалов, рукава из полиэтиленовой пленки, алюминиевую фольгу, специальные емкости для замораживания продуктов. Всю эту продукцию Вы найдете в специализированных магазинах.

В качестве упаковки нельзя использовать:

упаковочную или пергаментную бумагу, целлофан, мешки для мусора и использованные пакеты для покупок.

Для закрывания упаковки можно использовать:

резиновые кольца, пластмассовые зажимы, шпагат, морозостойкую клейкую ленту и проч.

Мешки и рукава из полиэтиленовой пленки можно заварить с помощью специального сварочного аппарата.

Продолжительность хранения замороженных продуктов

Срок хранения продуктов питания зависит от их вида.

При температуре $-18\text{ }^{\circ}\text{C}$:

- Рыба, колбаса, готовые блюда, хлебо-булочные изделия:
до 6 месяцев
- Сыр, птица, мясо:
до 8 месяцев
- Овощи, фрукты:
до 12 месяцев

Суперзамораживание

Чтобы в замороженных продуктах сохранились витамины и питательные вещества, а также не испортились их привлекательный вид и хороший вкус, продукты должны как можно быстрее промерзнуть до самой сердцевины.

Включите суперзамораживание за несколько часов перед загрузкой свежих продуктов в целях предупреждения нежелательного повышения температуры.

В общем и целом достаточно 4–6 часов.

После включения данной функции прибор работает непрерывно. В морозильном отделении устанавливается очень низкая температура.

Для использования максимальной производительности замораживания, включите суперзамораживание за 24 часа до загрузки свежих продуктов. Небольшие количества продуктов питания (до 2 кг) можно замораживать без включения суперзамораживания.

Указание:

Во время работы суперзамораживания эксплуатационный шум может усиливаться.

Включение и выключение

Рисунок 4

1. Выберите с помощью кнопки выбора 7 морозильное отделение.
2. Нажимать на кнопку установки температуры 6 до тех пор, пока не засветится индикация «Super» .

Суперзамораживание выключается автоматически прибл. через 2½ дня.

Размораживание продуктов

В зависимости от вида и способа приготовления продуктов можно выбрать один из следующих способов их размораживания:

- при комнатной температуре,
- в холодильном отделении,
- в электрическом духовом шкафу, с обдувом горячим воздухом или без,
- в микроволновой печи.

Внимание!

Подтаявшие или полностью размороженные продукты нельзя снова замораживать. Только после тепловой обработки продуктов (их можно сварить или поджарить) готовые блюда можно снова заморозить.

Но их нельзя хранить так же долго, как и замороженные свежие продукты.

Специальное оснащение

Полки и боксы

Полки, расположенные внутри холодильного отделения и в дверце холодильника, можно при желании переставлять в другое место: потяните полку на себя, опустите ее спереди и затем извлеките ее сбоку из направляющих. Приподнимите полку и снимите ее с дверцы.

Специальное оснащение

(не во всех моделях)

Полка для бутылок

Рисунок **5**

На эту полку можно складывать бутылки, не боясь, что они упадут.

Ванночка для льда

Рисунок **11**

1. Ванночку для льда заполните на $\frac{3}{4}$ питьевой водой и поместите в морозильное отделение.
2. Примерзшую ванночку для льда отделять только тупым предметом (ручкой ложки).
3. Для извлечения кубиков льда, ванночку немного подержать под проточной водой или слегка изогнуть.

Календарь со сроками хранения замороженных продуктов

Рисунок **10**

Не превышайте сроков хранения замороженных продуктов, чтобы их качество не ухудшилось. Цифры рядом с символами – это допустимые сроки хранения замороженных продуктов в месяцах. Обращайте внимание на дату изготовления и срок годности предлагаемых в торговле быстрозамороженных продуктов.

Аккумулятор холода

При выключении электроэнергии или выходе холодильника из строя аккумулятор холода препятствует слишком быстрому нагреванию находящихся в морозильном отделении замороженных продуктов.

Максимальное увеличение срока хранения возможно с помощью аккумулятора холода, положенного на продукты в верхнем отделении.

Аккумулятор холода можно также извлечь на время из морозильного отделения для охлаждения продуктов питания, например, в сумке из изолирующего материала.

Наклейка «ОК»

(не для всех моделей)

С помощью наклейки «ОК» можно проверить, достигаются ли в холодильном отделении рекомендуемые для сохранности продуктов диапазоны температур не выше +4 °С. Если наклейка не показывает «ОК», то температуру следует постепенно снизить.

Указание:

После ввода прибора в эксплуатацию может пройти до 12 часов, пока температура достигнет заданного уровня.



Правильная установка

Выключение прибора и вывод его из эксплуатации

Выключение прибора

Нажимайте на кнопку «+» в течение 10 секунд.
Холодильный генератор выключится.

Вывод прибора из эксплуатации

Если Вы не будете использовать прибор в течение продолжительного времени:

1. Извлеките штепсельную вилку из розетки или выключите предохранитель.
2. Очистите прибор.
3. Оставьте дверцу прибора открытой.

Чистка прибора

Внимание!

- Не использовать средства для чистки и растворители, содержащие песок, хлорид или кислоты.
- Не использовать абразивные и царапающие губки.
На металлических поверхностях может появиться коррозия.
- Никогда не мыть полки и контейнеры в посудомоечной машине.
Детали могут деформироваться!

При мойке не допускайте попадания воды

- на элементы управления
- на освещение
- в вентиляционные отверстия
- в отверстия разделительной панели

Выполните следующие действия:

1. Извлечь штепсельную вилку из розетки или выключить предохранитель.
2. Извлечь замороженные продукты и положить их в прохладное место. Положить на продукты питания аккумуляторы холода (если таковые имеются).
3. Не допускайте попадания моющей воды в элементы управления, систему освещения, вентиляционные отверстия или отверстия перегордки!
Очистить прибор мягкой тряпочкой и теплой водой с небольшим количеством моющего средства с нейтральным рН.
4. Уплотнитель дверцы протереть только чистой водой и затем тщательно вытереть насухо.
5. После чистки: снова подключите прибор к электросети.
6. Загрузить обратно замороженные продукты.

Специальное оснащение

Для чистки все передвижные элементы прибора вынимаются.

Извлечение полок в двери

Рисунок 3

Приподнимите вверх полки и извлеките.

Извлечение стеклянных полок

Потяните стеклянные полки к себе и извлеките.

Извлечение бокса

Рисунок 8

Вытяните бокс до упора и извлеките его, приподняв спереди.

Извлечение бокса для замороженных продуктов

Рисунок 9

Вытяните бокс для замороженных продуктов до упора, приподнимите спереди и извлеките.

Освещение (на светодиодах)

Ваш холодильник оснащен системой освещения на светодиодах, которая не нуждается в техобслуживании. Ремонт освещения данного типа должен проводиться лишь силами специалистов уполномоченного сервисного центра или квалифицированными специалистами, имеющими на это разрешение.

Как сэкономить электроэнергию

- Бытовой прибор следует установить в сухом, хорошо проветриваемом помещении! Он не должен стоять на солнце или поблизости от источника тепла (например, радиатора отопления, электроплиты). При необходимости воспользуйтесь плитой из изолирующего материала.
- Теплые продукты и напитки перед размещением в приборе следует охладить.
- Замороженные продукты поместите для размораживания в холодильное отделение, чтобы использовать холод замороженных продуктов для охлаждения продуктов.
- Закрывайте двери прибора как можно быстрее.
- Чтобы обеспечить минимальный расход энергии: соблюдайте небольшое расстояние сбоку от стены.
- Порядок размещения элементов оснащения не влияет на потребление электроэнергии прибором.

Рабочие шумы

Обычные шумы

Указание:

При включенном суперзамораживании шум во время работы может усилиться.

Гудение

Работают двигатели (напр., холодильные агрегаты, вентилятор).

Бульканье или жужжание

Хладагент течет по трубам.

Щелчки

Включаются или выключаются двигатель, выключатель или магнитные клапаны.

Потрескивание

Происходит автоматическое размораживание.

Как избежать посторонних шумов

Холодильник стоит неровно

Выровняйте, пожалуйста, холодильник с помощью ватерпаса. Отрегулируйте по высоте винтовые ножки холодильника или подложите что-нибудь под него.

Холодильник «зажат»

Отодвиньте, пожалуйста, холодильник от стоящей рядом мебели или других бытовых приборов.

Шатающиеся или заклинившие боксы или полки

Проверьте, пожалуйста, как установлены съемные детали и, при необходимости, расположите их правильно.

Бутылки или прочие емкости прикасаются друг к другу

Немного отодвиньте, пожалуйста, бутылки или емкости друг от друга.

Самостоятельное устранение мелких неисправностей

Прежде чем вызвать Службу сервиса:

проверьте, не сможете ли Вы устранить неполадки самостоятельно с помощью приведенных ниже рекомендаций.

Вам придется оплачивать вызов специалистов Службы сервиса для консультации самостоятельно – даже во время гарантийного периода!

Неисправность	Возможная причина	Устранение
Фактическое значение температуры сильно отличается от установленного.		В некоторых случаях достаточно выключить холодильник на 5 минут. Если температура слишком высокая, то проверьте через несколько часов, не приблизилось ли фактическое значение температуры к заданному. Если температура слишком низкая, то проверьте ее на следующий день еще раз.
В холодильном отделении или в отделении с пониженной температурой слишком холодно.		Установите более высокое значение температуры в холодильном отделении.
		Передвиньте вниз регулятор температуры для отделения с пониженной температурой. Рисунок 6
В морозильном отделении слишком высокая температура.	Слишком часто открывались дверцы бытового прибора.	Не открывайте бытовой прибор без надобности.
	Закрты вентиляционные отверстия.	Уберите мешающие предметы.
	Замораживание слишком большого количества свежих продуктов питания.	Загружайте морозильное отделение с учетом макс. производительности замораживания.
Прибор не охлаждает, индикатор температуры и освещение светятся.	Включен демонстрационный режим.	Нажимайте 10 секунд на кнопку «alarm», рисунок 4 /5, пока не зазвучит подтверждающий сигнал. Проверьте через некоторое время, охлаждает ли Ваш бытовой прибор.

Неисправность	Возможная причина	Устранение
Боковые стенки прибора нагреваются.	В боковых стенках проходят трубки, которые нагреваются в процессе охлаждения.	Это нормальный режим работы прибора, и неисправностью не является. Повреждение предметов мебели, соприкасающихся с прибором, под действием тепла не происходит.
Освещение не функционирует.	Система освещения на светодиодах вышла из строя.	Смотрите раздел «Освещение (на светодиодах)».
	Бытовой прибор оставался слишком долгое время открытым. Освещение отключится спустя ок. 10 минут.	После открытия и закрытия дверцы прибора освещение включается снова.
Не горит ни один из индикаторов.	Отключили электроэнергию; сработал предохранитель; вилка «болтается» в розетке.	Подключите штепсельную вилку к сети. Посмотрите, есть ли напряжение в электросети, проверьте предохранители.
Дверца морозильного отделения была слишком долго открытой; установленная температура больше не достигается.	Испаритель (производитель холода) в системе «NoFrost» слишком сильно обледенел, из-за чего он больше не может оттаивать полностью автоматически.	На время размораживания испарителя необходимо извлечь замороженные продукты вместе с ящиками и положить их на хранение в прохладное место, позаботившись об их хорошей теплоизоляции. Выключите холодильник и отодвиньте его от стены. Оставьте дверцу прибора открытой. Примерно через 20 минут талая вода начнет стекать в поддон для испарения, расположенный на задней стенке холодильника. Во избежание переливания талой воды через край поддона испарителя следует несколько раз собрать излишки воды с помощью губки. Когда вода перестает стекать в поддон, испаритель оттаял. Проведите чистку бытового прибора изнутри. Введите холодильник в эксплуатацию.

Самопроверка прибора

Ваш прибор оснащен программой автоматической самопроверки. Эта проверка покажет Вам источники неисправностей, которые могут быть устранены лишь специалистами Вашего уполномоченного сервисного центра.

Запуск программы самопроверки

1. Выключите прибор и выждите 5 минут.
2. Включите прибор и в первые 10 секунд после включения нажмите и удерживайте нажатой кнопку настройки «—» в течение 3-5 секунд, пока не раздастся звуковой сигнал.

Программа самопроверки запускается.

Во время выполнения программы самопроверки раздается длительный звуковой сигнал.

Если по завершении самопроверки раздается двойной звуковой сигнал, Ваш прибор работает исправно. 5-кратный звуковой сигнал свидетельствует о неисправности. Обратитесь за помощью в сервисную службу.

Окончание самопроверки

После окончания программы прибор переключается в обычный режим работы.

Сервисная служба

Ближайшую сервисную службу Вы найдете в телефонном справочнике или в списке сервисных служб. При обращении в сервисную службу укажите номер изделия (E-Nr.) и заводской номер (FD-Nr.) прибора. Эти данные Вы найдете на типовой табличке. Рисунок 12

Помогите, пожалуйста, избежать ненужных выездов специалистов, правильно указав заводской номер и номер изделия. Тем самым Вы сэкономите связанные с этим дополнительные расходы.

Заявка на ремонт и консультация при неполадках

Контактные данные всех стран Вы найдёте в приложенном списке сервисных центров.

Қауіпсіздік техникасы бойынша нұсқаулар және алдын-ала ескертулер

Бұйымды іске қосу алдында

Бұйымды орнату және пайдалану бойынша нұсқаулықты мұқият оқып алыңыз! Онда бұйымды орнату, пайдалану және күтімдеу жөнінде маңызды ақпарат берілген.

Осы нұсқаулықтар мен ескертпелерде көрсетілген сақтандырулар мен нұсқауларға назар аудармай әрекет етілген жағдайларда өндіруші ықтимал зардаптар үшін жауапкершілікті көтермейді. Бүкіл құжаттаманы одан әрі пайдалану немесе басқа қолданушыға беру үшін сақтаңыз..

Техникалық қауіпсіздік



Өрт қауіпі

Суыту жүйесінің құбырларында кем көлемде қоршаған ортаны сақтайтын, бірақ жанатын хладагент (R600a) ағады. Ол озон қабатына зиян келтірмей көшетхана әсерін күшейтпейді. Хладагент шыққанды көздерді жарақаттауы мүмкін немесе оталуы мүмкін.

Зақымдалған жағдайда

- Тоңазытқышты ашық оттан және тұтану бұлақтардан аулақ ұстаңыз,
- Бөлмені жақсылап желдетіп алыңыз,
- Тоңазытқышты өшіріп ашаны розеткадан шығарыңыз,
- Сервис қызмет көрсету орталығына хабарлаңыз.

Бұйымдағы салқындатқыш заттың мөлшері неғұрлым көп болса, ол тұратын панажайдың көлемі де соғұрлым үлкен болуы тиіс. Тым кішкентай панажайларда салқындатқыш зат жылыстаған жағдайда жанғыш газ-ауа қоспасы пайда болуы мүмкін.

Салқындатқыш заттың әр 8 грамына кемінде 1 м³ кеңістік келіп отыруы тиіс.

Бұйымыңыздағы салқындатқыш заттың мөлшері бұйымның ішіндегі зауыттық тақташада көрсетілген.

Құрылғыны орнатуда желіге қосу сымы қысылмағанына немесе зақымдалмағанына тексеріңіз.

Бұзылған электр жүйесін және сымдарын айырбастауға өндіруші, сервис қызмет көрсету орталығы және білікті мамандар ғана құқықты. Дұрыс емес атқарылған орнату және жөндеу жұмыстары пайдаланушылар үшін өте қауіпті.

Бұйымды жөндеу жұмыстары тек өндіруші, сервис қызметі немесе тиісті құзырлы тұлға ғана жүргізе алады.

Тек өндіруші тарапынан шығарылған түпнұсқа бөлшектерін ғана пайдалануға рұқсат етіледі. Тек осылар ғана қауіпсіздік техникасы талаптарын орындай алады деп шығарушы тарапынан кепілдік беріледі.

Ешқандай көп айырлы розеткаларды, ұзартқыш кабельді немесе адаптерді пайдаланбаңыз.



Өрт қауіпі

Тасымалы көп жайлық розеткалар немесе тасымалы желі бөліктері қызып кетіп өрте алып келуі мүмкін. Көп жайлық тасымалы розеткалар немесе тасымалы желі бөліктерін құрылғы арқасында орналастырыңыз.

Пайдаланып тұрған кезінде

- Тоңазытқыштың ішкі жағында электр бұйымдарды пайдалануға болмайды (мысалы қыздырғыш бұйымдарды, электр мұз дайындайтын аспаптарды). Жарылып кету қауіптілігі!
- Тоңазытқышты ыстық бумен жібітуге немесе тазалауға болмайды! Бу электр бөлшектеріне жеткенде қысқа тұйықталуына себеп болуы мүмкін. Электр қуатына түсу қаупі!
- Еруді жылдамдату үшін өндіруші деректерінен басқа ешқандай қосымша әрекеттерді жасамаңыз. Жарылып кету қауіптілігі!
- Қырау не мұз қабатын кетіру үшін үшкір немесе өткір жиекті заттарды қолданбауыңыз лазым, себебі. Бұл әрекет суыту заттарды өткізетін құбырларының бұзылуына апаруы мүмкін. Суыту заттары жарылып немесе көзге зиян келтіруі мүмкін.

- Тоңазытқыштың ішіне тұтану газдарды (мысалы аэрозольдық баллон) және жарылғыш заттектер қоюға болмайды. Жарылып кету қауіптілігі!
 - Тоңазытқыштың бөлімдерін, сөрелерін және есіктерін тұпқойма немесе сүйеніш қатары пайдалануға болмайды
 - Мұзды не бұйымды тазалау үшін бұйым айырын розеткадан суырып немесе сақтандырғышты істен шығарып алу керек. Сымды ұстамай ашаны розеткадан шығарыңыз.
 - Арақ шарап ішімдіктерді жабық және тұрғызып сақтаңыз.
 - Пластик бөлшектерді және есік тығыздауышты маймен ластап тастамаңыз. Маймен ластап тасталған бөлшектер және тығыздауыш ұсақ тетікті болып қалады.
 - Желдеткіш саңылауларды еш бөгетсіз ашық ұстаңыз.
- **Балалар және қауіптерге ұшырағыш болатын адамдар үшін тәуекелдерді болдырмау:**
Қауіптерге ұшырай алатын деп балалар және физикалық, психикалық не аңғару қабілеттері шектеулі немесе осы электрбұйымды қауіпсіз түрде қолдану бойынша білімі жеткіліксіз болған тұлғалар саналады. Балалар және қауіптерге ұшырай алатын тұлғалар мүмкін болатын қауіптерді түсініп алғанын тексеріп алыңыз.
Қауіпсіздік үшін жауапты адам балалар немесе қауіптерге ұшырай алатын тұлғалар электрбұйыммен жұмыс істегендерінде оларды қадағалап және оларға нұсқау беріп отыруы керек.

Жасы 8 толған балаларға ғана электрбұйымды қолдануға рұқсат етіледі.

Электрбұйымды тазалау немесе күту жұмыстарын өткізгендерінде балаларды қадағалап отыру керек.

Балаларды аспаппен ойнатуға болмайды.

- Мұздату бөлемінде суйықты заттарды шишалар және қаңылтыр құтыларда (әсіресе құрамында көмір қышқылы бар бұйымдарды) сақтамаңыз. Бөтелкелер мен құтылар жарылуы мүмкін!
- Мұздатылған тағамды жібітіп алған соң оны бірден ауызға салуға болмайды. Тоңазу қауіптілігі бар!
- Мұздатылған тағамды, мұзды немесе салқындатқыш құбырларын көп қолмен ұстамаңыз. Тоңазу қауіптілігі бар!

Балалар мен үй шаруашылығы

- Бұйым орамасын және бөлшектерін балаларға бермеңіз. Полиэтиленді қаптамада мен жиналмалы қатырмақағаз қапшықтарында тұншығып қалу қауібі бар!
- Бұйым – балаларға арналған ойыншық емес!
- Есіктік құлпы бар бұйымда: Кілтті балалардың қолы жетпейтін жерде сақтаңыз!

Жалпы анықтаулар

Құрылғы төменде көрсетілген мақсаттармен қолданыла алынады:

- тағамдарды тоңазыту және мұздату,
- мұз дайындау.

Бұл бұйым үй шаруашылығында және тұрмыстық пайдалануға және тұрмыстық салаға арналған. Салқындатқыш агенттің циркуляциялық кескінінің тығыз қымталуы тексерілген. Осы құрылғы электр аспаптары қауіпсіздігі туралы ережеге сәйкес келеді және радиокедергілерден қорғалған. Бұл құрылғы теңіз деңгейінен максималды 2000 метрге дейін болған биіктікте пайдалануға арналған.

Кәдеге жарату бойынша қатысты нұсқамалар

Ораманың кәдеге жаратылуы

Орама тасымалдау уақытында бұйымыңызды зақымданудан қорғайды. Барлық орама материалдар қоршаған ортаға зиян келтірмейді және қайта өңделуі мүмкін. Қоршаған ортаны қорғауға өз үлесіңізді салып көмек етіңіз: ораманы экологиялық нормаларға сәйкес кәдеге жаратыңыз. Кәдеге жаратудың көкейкесті жолдары туралы бұйымды сататын сатушыдан немесе жергілікті әкімшіліктен сурап біле аласыз.

Ескі бұйымды кәдеге жарату

Пайдалану мерзімі аяқталған бұйымдарға қажетсіз қоқыс деп қарамау керек! Оларды экологиялық таза түрде кәдеге жаратқан жағдайда олардан қайтадан бағалы шикізат алуға болады.



Бұл бұйым Еуропа Одағының 2012/19/EG Электрлік және электронды құрылғылар туралы Директивасының (waste electrical and electronic equipment – WEEE) талаптарына сәйкес келеді. Осы Директива Еуропа Одағында қолданылатын ескі аспаптарды қайтару мен кәдеге жаратудың ережелерін реттейді.



Ескерту және ескертулер

Пайдалануы аяқталған бұйымдарда

1. Ашасын розеткадан суырып алыңыз.
2. Кабелін бөліп, ашасымен бірге алыңыз.
3. Балалардың жәшіктері мен контейнерлердің ішіне енуіне жол бермеу үшін оларды шығармаңыз!
4. Пайдалану мерзімі аяқталған бұйыммен ойнауға балаларға рұқсат бермеңіз. Қылқынып қалу қаупі бар!

Суытқыш аспаптардың ішінде суытқыш заттар және оқшауламасында газдар бар. Суытқыш заттармен газдар білікті түрде кәдеге жаратылуы тиіс. Суытқыш зат контурының түтікшелері білікті түрде кәдеге жаратылғанға дейін зақымдалмауы тиіс.

Жеткізіліп берілетін жиынтықтың көлемі

Орамасын ашып. Бұйымның барлық бөлшектерін тасымалдау кезінде зақымданулы бар не жоғын тексеріп шығыңыз.

Шағымдарыңыз болса бұйымды өзіңізгесатқан сатушыға не біздің сервис орталығымызға осы шағымдар туралы хабар беріңіз..

Жеткізіліп берілетін жиынтығы құрамына төмендегілер кіреді:

- Едендік құрылғы
- Жабдықталуы моделіне байланысты
- Орнату үшін материалы салынған дорба
- Пайдалану туралы нұсқаулығы
- Орнату жөнінде нұсқаулар
- Сервистік кітапша
- Кепілдік құжаты
- Энергияны тұтыну мен шуыл деңгейі туралы мәліметтер

Орнату жері

Орнату орны ретінде құрғақ, желдете алынатын бөлмелер жарамды болады. Орнату орны күн сәулелерінің тікелей түсетін жерлердің және пеш, жылытқыш не қыздырғыш сияқты жылу беретін көздердің жанында болмауы тиіс. Электрбұйымның жылу беретін көздердің жанында қойылуы керек болғанда арнайы тежеулі аралық тақталарын қолданыңыз немесе жылу беру көздеріне дейін төменде көрсетілген аралықтарын ұстаныңыз:

- Электр және газ пештеріне дейін – 3 см.
- Май немесе көмірмен істейтін пештерге дейін – 30 см.

Орнату жеріндегі еденде ешбір шөгілу болмауы тиіс. Керек болса, еденді бекейтуіңіз керек. Еденде тегіс емес жерлері бар болғанда оларды төсем аралықтар салу арқылы тегістеңіз.

Қабырғаға дейін аралық

Электрбұйымды, оның есік ашу бұрышының 90° болатындай қылып орнатыңыз.

Бөлме температурасы мен желдетуді қадағалап отырыңыз

Бөлме температурасы

Бұл бұйым белгілі бір климаттық топта жұмыс істеуге арналған. Климаттық топқа байланысты. Бұйымды келесі бөлме температуралары жағдайында пайдалануға болады.

Климаттық топ зауыттық тақшада көрсетілген, **12** сурет.

Климаттық топ	Лайықты бөлме температурасы
SN	+10 °C және 32 °C аралығында
N	+16 °C және 32 °C аралығында
ST	+16 °C және 38 °C аралығында
T	+16 °C және 43 °C аралығында

Ескерту:

Бұйым көрсетілген климаттық топтың бөлме температурасы шегінде толығымен жұмыс істеуге жарамды. Бұйымды +5 °C дейін бөлме температурасы жағдайында пайдаланған жағдайда SN тобындағы бұйымның зақымдалуы мүмкін емес.

Желдету

2 суреті

Электрбұйымның артқы жақ қабырғасындағы және бүйір жақтарындағы ауа жылынады. Жылы ауа бөгетсіз желдетіліп тұруы керек. Әйтпесе салқындатқыш машина жоғары істейді және электр қуатының пайдалуы көбейіп кетеді. Сондықтан: Вентиляция және ауаны сорғызып шығаратын саңылауларды ешқашан үстінен немесе шетінен жауып қоймаңыз!

Бұйымның қосылуы

Бұйым қосылғаннан кейін пайдалануға дайын уақытына дейін кемінде бір сағат өтуі керек. Тасымалдау уақытында майдың сығымдағыштан салқындату жүйесіне түсуі мүмкін.

Алғашқы пайдалану алдында бұйымды ішінен жуыңыз («Құрылғыны жуу» тарауын қараңыз).

Электр желісіне қосу

Розетка электрбұйымның жанында және оның орнатылғанынан кейін жеңіл түрде қолжетімді болып тұруы керек.

Ескерту және ескертулер

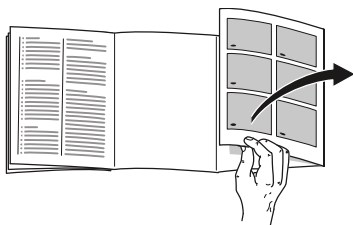
Электр қуатына түсу қаупі!
Егер егер желіге қосу сымының ұзындығы жетерлік болса, көп орындық розетканы немесе ұзарту кабелін пайдаланбаңыз. Оның орнына техникалық қызмет көрсету орталығына хабарласып жолын сұраңыз.

Құрылғы I қорғау сыныбына сай. Тоңазытқыш дұрыс орнатылған розетка арқылы 220-240 В / 50 Гц айнымалы электр тоғына қосылады. Розеткада 10 А – 16 А сақтандырғыш болуы керек. Еуропадан тыс елдерде пайдаланатын электрбұйымдарды электр желісіне қоспас бұрын кернеу мен үйдегі электр желісінің қуатына сай келетіндігін тексеріп алыңыз. Бұл деректерді зауыттық тақтайшада табасыз, сурет **12**.

Ескерту және ескертулер

Бұйымды энергия үнемдейтін электр розеткаларға қосуға тыйым салынады. Бұйымдарымыздың жұмыс істеуі үшін синустық және автономды емес инверторларды пайдалануға болады. Автономды емес инверторлар ортақ электр желісіне тікелей қосылған фотогальваникалық электр бұйымдарда пайдаланылады. Ортақ электр желісіне қолды жеткізбейтін құралдар үшін (мысалы, кемелерде немесе тауларда) синуспен жүргізілетін инверторларды қолдану керек.

Бұйыммен танысу



Суреттері бар ең соңғы бетті ашуыңызды өтінеміз. Пайдалану жөніндегі бұл жетекші құрал бірнеше модельдер үшін жарамды. Модельдердің жабдықталынуы өзгеріп отыруы мүмкін. Суреттерде өзгешеліктер болуы мүмкін.

1 суреті

* Барлық үлгілерде бірдей бар бола бермейді.

A Тоңазытқыш камера

B Мұздатқыш камера

1–8 Басқару орынның бөлшектері

9* Май және ірімшік бөлімі

10 Шағын шишалар үшін сөре

11 Көлемі ірі шишалар үшін

12 Жарық

13* Шишалар сөресі

14 Суытып сақтау бөлімшесі

15 Ылғалдылық реттегіші бар көкөніс салу үшін сауыт

16 Мұздатылатын тағам бөлімі

Басқару орынның бөлшектері

4 суреті

* Барлық үлгілерде бірдей бар бола бермейді.

1 **Көрсеткіштер тақтасы Суыту бөлімшесі**

2 **Көрсеткіштер тақтасы Мұздату бөлімшесі**

3 **Мұздату бөлімшесіндегі температура көрсеткіші**
Көрсетілетін °C сандары мұздату бөліміндегі °C температураларына сай келеді.

4 **Түймешіктерді оқшаландыру функциясы "Lock"**
Осы функция қосылып тұрғанда басқару элементтердің параметрлерінің орнатылуы мүмкін емес.

5 **Сақтандыру түймешегі**
Сақтандыру белгісін өшіру үшін қолданылады ("Сақтандыру функциялары" тарауын оқыңыз).

6 **Орнату түймешіктер**
"+" және "-" түймешіктер арқылы суыту және мұздату бөлімшесінің температурасын орната аласыз. Осымен қатар, арнайы функцияларды қосуға немесе өшіруге болады.

7 **Құрылғы аймағын таңдау түймешігі**
Бір құрылғы аймағында параметрлерді реттеу үшін таңдау түймешігін қайта басыңыз.

8 **Суыту бөлімшесінің температура көрсеткіші**
Сандар суыту бөлімшесінің орнатылып қойылған °C сай болады.

Электрбұйымды қосу

1. Алдымен айырғыш ашасын электрбұйым артындағы қосатын жерге енгізіңіз. Ашаның дұрыс енгізілуін тексеріңіз.
2. Одан кейін кабелдің басқа ұшын электр тоқ розеткасына енгізіңіз.

Электрбұйым қосылып, сақтандыру белгісі естілетін болады.

Сақтандыру дыбысты өшіру үшін alarm off түймешігін басыңыз.

Құрылғы орнатылған температураға жеткен сәтте alarm off көрсеткіші өшеді. Таңдалған температура бірнеше сағат өткен соң ғана болады. Таңдалған температура болмай тұрғанда тағамдарды тоңазытқышқа салуға болмайды.

Зауыт келесі температураны ұсынады:

- Мұздату бөлімшесі: -18 °C
- Суыту бөлімшесі: +4 °C

Құрылғының жұмысы бойынша нұсқаулар

- Электрбұйымды қосқаннан кейін таңдалған температура деңгейі орнатылғанша дейін бірнеше сағат керек болуы мүмкін.
- Толық автоматты түрде атқарылатын "NoFrost" жүйесі арқасында мұздату бөлімшесінде мұз пайда болмайды. Сондықтан еріту қажет емес.
- Егер мұздату бөлімшесінің есігі жабылғаннан кейін дереу ашылмаса, қысым айырмашылығы теңгерілмейінше дейін тосыңыз.
- Корпустың алғы жағы мен жан қабырғалары жартылай ысиды. Бұл арқылы ылғалдықтың конденсациясының пайда болуына жол берілмейді.

Температурасын қою

4 суреті

Суыту бөлімшесі

Температура деңгейін +2 °C тан +8 °C дейін орнатып қоюға болады.

1. Суыту бөлімшесін °C түймешігімен таңдап алыңыз.
2. Қалаған температура көрсетілгенге дейін +/- түймешіктерін басыңыз.

Тез бұзылып кететін тағамдарды +4 °C асырмай сақтаңыз.

Мұздату бөлімшесі

Температура деңгейін -16 °C тан -24 °C дейін орнатып қоюға болады.

1. Мұздату бөлімшесін °C түймешігімен таңдап алыңыз.
2. Қалаған температура көрсетілгенге дейін +/- түймешіктерін басыңыз.

Арнайы функциялар

4 суреті

есо-функциясы

"эко" функциясы арқылы электрбұйымды электрқуат үнемдеу режиміне қоса аласыз.

1. Таңдауыш түймешікпен суыту бөлімшесін немесе мұздату бөлімшесін таңдап алыңыз.
2. "есо" көрсеткіші жанғанша дейін + үстінен баса беріңіз.

Электрбұйым автоматты түрде төмендегі температураларға ауысады:

- Суыту бөлімшесі: +8 °C
- Мұздату бөлімшесі: -16 °C

Пернелерді бұғаттау функциясы Lock

Түймешіктердің бұғаттауды қосу және өшіру үшін lock пернесін 5 секунд басып тұрыңыз.

Функция қосұлы болса lock көрсеткіші жанады.

Енді басқару панелі кездейсоқ басылудан қорғалған.

Түймешіктер құрсаулауын алып тастау:

Түймешіктердің бұғаттаулауын өшіру үшін және ескерту дыбысында lock түймешігін басу мүмкін.

Дабыл функциясы

Дабыл келесі жағдайларда істеп бастайды.

Есік дабылы

Электрбұйым ұзақ уақыт бойы ашылып қалып тұрса есік үшін сақтандыру дыбыс (ұзақ дыбыс белгісі) қосылып, **4**/5 Сақтандыру көрсеткіші жанады. Есік жабылғанда есіктің сақтандыру белгісі қайта өшіріледі.

Температура дабылы

Аралық дыбысты белгісі естіліп, сақтандыру түймешігі жанады. Дыбысты температура белгісі мұздатқыштың тым жылынып, мұздатылған бұйымдар үшін қауіп пайда бола бастағанда қосылып кетеді. Мұздатылатын бұйымдарға еш қауіп тұдырмай сақтандыру дыбыс белгісі келесі жағдайларды қосылып кетуі мүмкін:

- Тоңазытқыш іске қосылғанда.
- Жаңа тағамдар үлкен көлемдерді салынғанда.

Ескерту:

Мұзы аздап еріген не әбден еріген өнімдерді қайта мұздатпаған жөн. Осы өнімдерді тек дайын даярланған түрде ғана (пісірілген не қуырылған түрінде) әзірлеп болғаннан кейін ғана оны қайтадан мұздатуға болады. Өнімдерді жарамдылық мерзімі өткенге дейін пайдалану ұсынылады.

Қауіп білдіретін дыбысты көрсеткішті өшіру

4 сурет

Дабыл белгісін өшіру үшін 5 дабыл түймешекті басыңыз.

Қолдану үшін сыйымдылық көлемі

Қолдану үшін сыйымдылық көлемі бойынша мәліметтер құрылғының кестесінде көрсетілген. **12** суреті

Мұздату көлемін толығымен пайдалану

Мұздатылатын өнімдерінің мүмкіндігінше жоғары көлемін салу үшін сауытты шығарып қоюыңызға болады. Мұздатылған өнімдерді тікелей сөре үстінен немесе мұздату бөлімшесінің еденінің үстінен бір бірінің үстінен қоюға болады.

Ескерту:

Азық-түліктер мен тағамдардың артқы қабырғаға тиіп кетуін болдыртпауыңыз керек, себебі ол ауа алмасуына бөгет бола алады,

азық-түліктер мен қорапшалардың артқы қабырғаға жабысып мұздап кетуіне апара алады.

Бұйымның жабдықтарын шығарып алыңыз

Өнімдерге арналған мұздату сауытын толығымен дейін суырып алыңыз, алды жағынан жоғарыға қарай көтеріп, бұйымнан шығарып алыңыз. **9** суреті

Суыту бөлімі

Суыту бөлімшесі ет, шұжық, балық, сүт бұйымдары, жұмыртқалар, даяр тағамдар мен нан-бөлке өнімдерін сақтау үшін мінсіз жер.

Өнімдерді салғанда төмендегілерге назар аударыңыз

- Тоңазытқышқа тек жаңа және бұзылмаған өнімдерді ғана салыңыз. Бұл жағдайда өнімдердің сапасы мен балғындығы ұзағырақ уақыт бойынша сақталады.
- Даяр бұйымдар мен орама салынған өнімдерде шығарушы тарапын қорап не орамаларда көрсетілген сақтау және тұтыну мерзімдеріне назар аударыңыз.
- Өнімдердің жұпарын, түсі мен балғындығын сақтай алу үшін азық-түліктерді жақсылап орамалап немесе жауып қойып салу арқылы суыту бөлімшесіндегі дәмдердің басқа өнімдерге өтуіне, пластик бұйымдарының түс өзгеруіне жол бермейді.
- Жылы тағамдарды және сусындықтарды суытып тоңазытқышқа қойыңыз.

Ескерту:

Желдеткіш саңылауларды еш бөгетсіз ашық ұстаңыз. Тағамдар ауаға бөгет болып қалмасын. Саңылаулардың тұра алдында тұрған өнімдерінің ағып тұратын суық ауа әсерінен қатып қалуы мүмкін.

Суыту бөлімшесінде суықтық аумақтарына назар аудару

Суыту бөлімшесіндегі ауа айыналымы арқылы түрлі суықтық деңгейлі аумақтар пайда болады:

- Ең суық жерлер ауа шығаратын саңылаулар алдында және салғын сақтау сауытында орналасқан, **1**/14 суреті.

Ескерту:

Ең суық аумағында тез бұзылатын азық-түліктерді сақтаңыз (мысалы балық, шұжық, ет).

- Ең жылы аумағы - есіктегі ең жоғары аумағы.

Ескерту:

Ең жылы аумағында мысалы ірімшік пен майды сақтаңыз. Осы жерде сақтау арқылы қатты ірімшік түрлері өз дәмі мен жұпарын сақтап, ал май нанға жағу үшін қатпай, жұмсақ қалыпта сақталады.

Көкөніс салу үшін ылғалдылық реттегіші бар сауыт

Сурет **7**

Көкөніс, және жеміс үшін лайықты сақтау климатын жасау үшін, көкөністерге арналған сауытта ауа ылғалдылық деңгейін реттеуге болады:

- көбінесе көкөністер, аралас өнімдер салынғанда немесе салынған бұйымдардың көлемі төмен болғанда – ауа ылғалдығының жоғары деңгейі
- көбінесе жеміс салынғанда және көп көлемде толтыруда – ауа ылғалдығының төмен деңгейі

Нұсқаулар

- Суыққа сезімтал жеміс (мысалы ананас, банан, папайя және цитрус тұқымды жеміс) пен көкөністерді (мысалы баялды, қияр, кәдіш, бұрыш, қызанақ және картоп) өз сапасы мен жұпарларын сақтау үшін тоңазытқышқа салмай, температурасы +8 °C тен +12 °C дейін болған ортада сақтау laзым.
- Көкөніс контейнерінде – сақталатын өнімдер мен осы өнімдердің көлеміне байланысты – конденсациялық ылғал суының пайда болуы мүмкін. Конденсациялық суды құрғақ шүберекпен сүртіп, көкөніс сауытындағы ауа ылғалдылығын ылғалдық реттегіш арқылы лайықтаңыз.

Суытып сақтау бөлімшесі

6-ші сурет

Суықта сақтау бөлімшесінің температура деңгейі суыту бөлімшесіндегі деңгейден төменірек. 0 °C төменірек температура деңгейлерінің пайда болуы мүмкін. Балық, ет және шұжық бұйымдарын сақтау үшін мінсіз. Салаттар, көкөніс және суыққа сезімтал өнімдерді сақтау үшін қолдануға болмайды. Салқын сақтау сауытындағы температурасын желдету саңылауы арқылы өзгертіп отыруыңызға болады. Температураны төмендету үшін температура реттеуішін жоғарыға қарай жылжытыңыз. Температура деңгейін жоғары қылу үшін температура реттеуішін төменге қарай жылжытыңыз. Сурет **6**

Super-тоңазыту

Super-тоңазытуда тоңазытылатын бөлім шамасы 6 сағат бойынша мүмкін болғанша суық деңгейде тоңазытылып тұрады. Осыдан кейін ол автоматты түрде Super-тоңазытуға дейін орнатылған температураға ауысады.

Super-тоңазыту қосу, мысалы

- өнімдерді көп көлемде салу алдынды қосыңыз.
- сусындарды тез түрде суыту үшін.

Қосу және өшіру

4-ші сурет

1. Суыту бөлімшесін °C түймешігімен таңдап алыңыз.
2. "Super" көрсеткіші жанғанша дейін 6 температураны орнату түймешігін баса беріңіз.

Супер суытуды өшірмеңіз. 6 сағаттан соң алдын реттелген температураға автоматты өтіледі.

Мұздату бөлімшесі


Мұздатқыш бөлімін қолдану

- Жылдам мұздатылған өнімдерді сақтау үшін.
- Мұз текшелерін жасау үшін.
- Өнімдерді мұздату үшін.

Ескерту:

Мұздатқыш камера есігінің әрдайым жабулы болуына назар аударыңыз! Есігі ашық кезде өнімдер ери бастайды, ал мұздатқыш бөлімінің мұз басады. Оған қоса: тоқтың асқын мөлшерде тұтынылуына байланысты электр қуаты ысырап болады!

Ең жоғары мұздату қабілеті

24 сағаттың ішінде ең жоғары мұздату қабілеті туралы мәліметтер құрылғының кестесінде көрсетілген.  суреті

Ең жоғары мұздату көлемі үшін талаптар

- Жаңа өнімдерді салу алдынан Super-мұздату функциясын қосыңыз ("Super-мұздату" тарауын оқыңыз).
- Сауытты шығарып алыңыз; Азық-түлік өнімдерін тікелей сөрелер мен мұздатқыш бөлімшесінің түбіне бірінің үстінен біріп қойып салыңыз.
- Көп мөлшерлі өнімдерді жоғарғы бөлікте мұздату жөн. Олар онда тезірек мұздайды, соның арқасында пайдалы қасиеттері көбірек сақталады.

Мұздату және сақтау

Жылдам тоңазытылған өнімдерді сатып алу

- Өнімдер орамасы зақымдалмаған болуы керек.
- Өнімнің жарамдылық мерзіміне көңіл аударыңыз.
- Сату сәтіне дейін өнімнің сақталу температурасы - 18 °C жоғары болмауы керек.
- Жылдам тоңазытылған өнімдерді жеке арнайы мұздату пакетте тасыған және тезірек мұздатқышқа қойған лазым.

Өнімдерді орналастыру кезінде төмендегілерге назар аударыңыз:

- Көп мөлшерлі өнімдерді жоғарғы бөлікте мұздату жөн. Олар онда тезірек мұздайды, соның арқасында пайдалы қасиеттері көбірек сақталады.
- Көп көлемді өнімдерді сөрелерде, сондай-ақ мұздатылған өнімдерге арналған сауыттарда бөліп салуға болады.

Ескерту:

Мұздатылып қойылған өнімдерді енді ғана мұздатылатын жаңа өнімдермен жанаспауы лазым. Керек болса, мұздатылған өнімдерді басқа сауытқа ауыстырып салуға болады.

Мұздатылған өнімдерді сақтау

Ауаның мінсіз айналымын қамтамасыз ету үшін мұздатылған өнімдерге арналған ыдысты тірелгенше дейін алаға қарай итеріп отырып орнатыңыз.

Жаңа әкелінген өнімдерді мұздату

Мұздату үшін тек жаңа және бұзылмаған өнімдерді ғана пайдаланыңыз.

Көкөністердің қоректік заттары, хош иісі мен түсі мүмкіндігінше жақсы сақталу үшін оларды мұздатудың алдында булап алу қажет. Баклажан, бұрыш, кәдіш пен спаржаны булау қажет емес. Сатылымда өнімдерді мұздату мен булау жөніндегі кітаптарды таба аласыз.

Ескерту:

Мұздатылатын өнімдерді мұздатылып қойған өнімдерге жанастырмаған жөн.

- Төмендегі өнімдерді мұздатуға болады:
Нан-тоқаш бұйымдары, балық және теңіз өнімдері, ет, аңдар еті, үй құс еті, көкөністер, жемістер, шөптер, қабығы алынған жұмыртқа, ірімшік, май және сүзбе сияқты сүт өнімдері, дайын тағамдар және келесі тағамдардың қалғандарын: көже, қою көже, дайын ет және балық, картоптағамдары, бәліштер мен тәтті тоқбасарлар.
- Мұздатылмайтын тағамдар:
Әдетте шикі түрінде желінетін көкөністердің сұрыптары, атап айтқанда жапырақты салаттар, шалғам, қабығы алынбаған жұмыртқа, жүзім, бүтіндей күйінде алма, алмұрт және шабдалы, бітеудей пісірілген жұмыртқа, йогурт, қатық, кілегей, қаймақ және майонез.

Мұздат үшін өнімдерді жақсылап буып-түю

Өнімдердің дәмі кетпеу үшін не кеуіп қалмау үшін оларды жақсылап қымтап жабыңыз.

1. Өнімдерді орамағасалыңыз.
2. Ішіндегі ауасын түгелдей шығарып алыңыз.
3. Ораманы қымталап жабыңыз.
4. Орама үстінен ішіндегі заттың атауын және мұздатылған күнін жазыңыз.

Орауыш қатары пайдалынады:

Пластикалық орауыштар, полиэтилен, алюминий пленкалар, қанылтыр бөтелкелер.
Бұл заттар арнаулы дүкендерде сатылады.

Орауыш қатары пайдаланбайды:

орауыш қағаз, пергамент, целлофан, қоқыс қапқалар және пайдаланған сөмкелер.

Жабу үшін пайдаланады:

Резеңке сақиналар, пластикалық ілгешектер, суыққа шыдамды жабысқақ баулар т.б.
Полиэтилен қап пен шланг пленкаларды пленкаларды дәнекерлеу құрылғысымен жабыстыру мүмкін.

Мұздатылған өнімдердің жарамдылық мерзімі

Жарамдылық мерзімі өнімнің түріне байланысты.

-18 °C дейінгі температурада:

- Балық, шұжық, даяр тағамдар, нан-бөлке бұйымдары:
6 айға дейін
- Ірімшік, құс еті, ет:
8 айға дейін
- Көкөніс, жеміс:
12 айға дейін

Супер мұздату

Тамақ өнімдерінің, олардың құрамындағы дәрумендер, қоректік заттар, сыртқы түрі мен дәмдік қасиеттері сақтай алу үшін, мүмкіндігінше жылдам мұздатылып қойылуы лазым.

Температураның көтерілуіне жол бермеу үшін жаңа өнімдерді салудан бірнеше сағат бұрын Супер мұздату режимін қосыңыз.

Әдетте 4–6 сағат жеткілікті болады.

Құрылғы қосылғаннан кейін ол тұрақты түрде жұмыс істейді, мұздатқыш бөлмесінде өте төмен температураға қол жеткізіледі.

Ең жоғары мұздату қабілетін пайдалану үшін терең Super-мұздату функциясын бұйымға жаңа өнімдерді салу алдынан 24 сағат бұрын қосу керек.

Аздаған мөлшердегі өнімдерді (2 кг дейін) терең мұздату функциясын қолданусыз мұздатуға болады.

Ескерту:

Super-мұздату жүйесі қосылып тұрғанда істе болып тұрғанын білдіретін бірқатар дыбыстардың пайда болуы мүмкін.

Қосу және өшіру

4 суреті

1. Мұздату бөлімшесінің 7 таңдау түймешігімен мұздату бөлімшесін таңдаңыз.
2. "Super" көрсеткіші жанғанша дейін 6 температураны орнату түймешігін баса беріңіз.

"Супер-мұздату" өз-өзімен автоматты түрде шамамен 2½ күннен кейін өшіріледі.

Мұздатылған өнімдерді еріту

Өнімдердің түрлері мен оларды одан әрі қалай пайдалануыңызға байланысты Сіздің келесі мүмкіндіктерді арасында таңдай алуыңызға болады:

- бөлме температурада
- тоңазытқыштың ішінде
- желдеткіш бар/жоқ электр пеште
- шағын толқынды пеште

Сақтандыру және сақтандырулар

Мұзы аздап еріген не әбден еріген өнімдерді қайта мұздатпаған жөн. Осы өнімдерді тек дайын даярланған түрде ғана (пісірілген не қуырылған түрінде) әзірлеп болғаннан кейін ғана оны қайтадан мұздатуға болады.

Мұндай өнімдерді ең жоғары сақтау мерзіміне жеткізей тұтыну қажет.

Жабдықталуы

Сөрелер мен сауыттар

Электрбұйымның ішкі бөлімшесі мен оның есігінің сөрелер мен сауыттарының орындарын ауыстырып отыруыңызға болады. Сөрелі алға қарай тартып, біраз төменге қарай төмендетіп, қайыра отырып шығарыңыз. Сауытты жоғарыға қарай тарта отырып шығарып алыңыз.

Арнайы жабдықтама

(барлық модельдерде бірдей бар бола бермейді).

Шишалар сөресі

5 суреті

Шишалар сөресінде шишаларды қауіпсіз түрде қоя аласыз.

Мұз ыдысы

11 суреті

1. Мұз ыдысын $\frac{3}{4}$ көлемінде ауыз сумен толтырыңыз және мұздатқыш бөліміне қойыңыз.
2. Ішінде даяр мұзы бар ыдысты дөкір заттармен (мысалы, қасықтың сабымен ғана) ашу керек.
3. Мұз текшелерін шығару үшін ыдысты ағып тұрған судың астына аз уақытқа ұстай тұрып немесе мұз ыдысын сәл бұраңыз.

Мұздату күнтізбесі

10 суреті

Мұздатылған өнімдердің сапасы төмендеп кетпеуі үшін олардың сақтауын сақтау мерзімін асырмаңыз. Символдардың жанындағы сандар өнімдердің айлармен көрсетілген жарамды сақтау мерзімін білдіреді. Дүкеннен алынған жылдам мұздатылған өнімдердің жасалу күні мен жарамдылық мерзіміне назар аударыңыз.

Суықтық аккумуляторы

Электр тоғының берілуі тоқталып қалғанда немесе бір бөгет не қате арқылы суықтық батареясы мұздату бөлімшесіне жүктелген өнімдердің жылып кетуін бәсеңсітеді. Ең ұзақ сақтау мерзіміне жету үшін ең жоғарғы жәшіктегі суықтық аккумуляторын өнімдердің үстіне қоюыңыз лазым. Суықтық аккумуляторларын өнімдерді қысқа уақыт бойынша суыту үшін (мысалы суыту дорбасында) тоңазытқыштан шығарып алуға болады.

“OK” жапсырмасы

(барлық модельдерде бар бола бермейді)

“OK” жапсырмасымен суыту бөлімшесінде температура азық-түліктер үшін ұсынылған қауіпті +4 °C немесе одан төмен аймағына жеткенін тексеру мүмкін. Егер жапсырма “OK” көрсетпесе, температураны аз-аздап төмендетіңіз.

Ескерту:

Құрылғыны іске қосудан соң ол реттелген температураға жеткенше 12 сағатқа дейін өтуі мүмкін.



Дұрыс реттеу

Тоңазытқышты өшіру және істен шығару

Электрбұйымды өшіріңіз

"+" Түймешесін 10 секунд басып тұрыңыз.
Тоңазытқыш өшіріліп қалады.

Электрбұйымды істен шығару

Электрбұйым ұзақ мерзімде пайдаланбаса:

1. Ашаны розеткадан шығарыңыз немесе сақтандырғышты өшіріңіз.
2. Электрбұйымды тазалаңыз.
3. Электрбұйым есігін ашық қалтырыңыз.

Бұйымды тазалау

Сақтандыру және

сақтандырулар

- Құрамында құм, хлорид не қышқыл бар тазалау не еріткіш заттарын қолданбаңыз.
- Абразивтік жуу заттарын және қырғыш ысқыштарды қолданбаңыз. Темір бөлшектер үстінде коррозия пайда болуы мүмкін.
- Сөрелерді және бөлімдерді ыдыс-аяқ жуатын машинада жууға болмайды. Бөлшектер өз пішінін жоғалтуы мүмкін!

Тазалау үшін қолданған су келесі жерлерге түспеуі тиіс:

- Басқару элементтеріне
- Жарық
- Желдеткіш саңылауларына
- Аралық тақтадағы тесіктер

Төменде көрсетілгендей әрекеттеніңіз:

1. Айырын розеткадан шығарыңыз немесе тежегішті өшіріңіз.
2. Мұздатылған тағамдарды шығарып салқын жерге қойыңыз. Суыту аккумуляторын (егер бар болса) ө шығарылып қойылған өнімдерінің үстіне жатқызып салыңыз.
3. Су басқару элементтеріне, жарыққа, желдету тесіктеріне немесе аралық тесіктеріне тиіп кетпесін!
Тоңазытқышты жұмсақ шүберекпен, жылы сумен және PH бейтарап жуғыш затпен тазалаңыз.
4. Есіктің тығыздауыштарын таза сумен ғана сүртіп жақсылап кептіріңіз.

5. Тазалағаннан кейін электрбұйымды қайта жабыңыз.
6. Мұздатылатын тағамдарды қайта салыңыз.

Жабдықталуы

Тазалау үшін тоңазытқыштың бірнеше бөлшектері шығарылып алынады.

Есіктегі сақтау өрешелерін шығарып алыңыз

3 суреті

Өрешелерді жоғарыға қарай біраз көтеріп отырып шығарыңыз.

Әйнек сауытын шығарып алу

Әйнек сауыттарын алға қарай тарта отырып, шығарып алыңыз.

Сауыты шығару

8 суреті

Сауытты толығымен алға тартып, алдыңғы жағынан біраз көтеріп отырып шығарыңыз.

Мұздату үшін сауыттарды шығару

9 суреті

Өнімдерге арналған мұздату сауытын толығымен дейін суырып алыңыз, алдыңғы жағынан жоғарыға қарай көтеріп, бұйымнан шығарып алыңыз.

Жарық (СИД)

Тоңазытқыш күтілмейтін светодиод жарығымен жабдықталынған. Тек сервистік қызмет көрсету орталығында немесе уәкіл етілген мамандарда бұл жарықты жөндеуге құқығы бар.

Энергияны үнемдеу

- Бұйымды құрғақ, желдетілетін орнатыңыз. Бұйым тікелей күн сәулесі түсетін жерде не жылу көздерінің жанында (мысалы, ас үй пеші, жылыту аспаптарының жанында) қойылмауы тиіс.
Қажет болған жағдайда жылу сақтағышпешін қолданыңыз.
- Жылы тағамдарды және сусындқтарды суытып тоңазытқышқа қойыңыз.
- Мұзын еріту үшін мұздатылған өнімдерді суытқыш бөліміне салып, олардың суығын өнімдерді суыту үшін пайдаланыңыз.
- Тоңазытқышты қысқа уақытқа ғана ашыңыз.
- Ең кем энергия тұтынуға жету үшін: жан қабырғадан аз аралықты сақтаңыз.
- Жәшіктердің орнатылған тәртібі бұйымның электр қуатын тұтынуына әсер етпейді.

Жұмыс шуылы

Мүлде кәдімгі шуылдар

Ескерту:

Егер супер мұздату функциясы қосылып тұрса, көп жұмыс шуылдары пайда болуы мүмкін.

Дүріл

Моторлардың жұмысы (мысалы, тоңазыту агрегаты, желдеткіш).

Бүлкілдейтін, ызылдайтын немесе арқырауық дыбыстар

Суытқыш заты түтіктер арқылы ағып жатыр.

Шерту

Моторды, қосқышты немесе магнит қақпағын іске қосқан / өшіргенде естіледі.

"Шерт" етіп

Автоматикалық еріту барысы басталады.

Шуыл деңгейінің жоғарылауын болдырмау

Құрылғының тегіс бетте тұрмауы

Құрылғыны ватерпастың көмегімен тегістеңіз. Бұл үшін бұрылатын аяқтарын пайдаланыңыз немесе құрылғының астына бірдеңе салыңыз.

Құрылғы "жаңасып тіреліп тұр"

Құрылғыны жанындағы жиһаздан не аспаптардан біраз алыстырақ жылжытып қойыңыз.

Ысырмалы жәшіктер не сөрелер тербеліп тұр не қарысып қалған

Алынбалы бөліктерінің қалай орнатылғанын тексеріңіз және қажетіне қарай оларды дұрыс орнатыңыз.

Бөтелкелер бір біріне тиіп тұр

Бөтелкелерді бір бірінен азғантай ары жылжытыңыз.

Шағы ақаулылықтарды өз бетінше жою

Сервистік қызметіне телефон арқылы хабарламас бұрын:

Ақаулылықты келесі ұсыныстардың көмегімен өз бетіңізше жоя алу мүмкіншілікті тексеріп алыңыз.

Сіз кеңес беру үшін сервистік қызметті шақыртудың ақысын тіпті көпілдік мерзімінің ішінде төлеуге тиіссіз! –

Бөгеттер	Ықтимал болған себебі	Ақаулылықтарды жою
Температура таңдалған температурадан ерекшеленеді.		Тоңазытқышты бірнеше минутке өшіріңіз. Температура жоғары болса бірнеше сағат өткен соң температураның өзгергенін тексеріңіз. Температура төмен болса бір күн өткен соң температураның өзгергенін тексеріңіз.
Суыту бөлімшесінің немесе суытып сақтау сәресінің іші тым суық.		Суыту бөлімшесіндегі температураны жылығырақ қылып қойыңыз. Салқын сақтау бөлімшесінің температура реттеуішін төменге қарай жылжытыңыз. Сурет 6
Мұздатқыш бөліміндегі температура тым жоғары	Бұйымның есігін жиі аша беру. Желдету және ауаны тартып шығару саңылаулары жабылып қалған. Көп мөлшердегі жаңа өнімдерді мұздату.	Бұйымның есігін қажетінсіз ашпаңыз. Кедергілерді жойыңыз. Бұйымның ең жоғары мұздату қабілетінен асып кетпеу лазым.
Бұйым тоңазытпай тұр, температура көрсеткіші мен шамы жанып тұр.	Шығару тәсілі қосылды.	Растау дыбысы шыққанша дейін тсақтандыру белгі түймешегін 4 / 5 суреттегідей 10 секунд бойынша басыңыз. Біраз уақыттан кейін электрбұйымыңыздың тоңазытып тұрған не тұрмағанын тексеріңіз.
Құрылғының жан қабырғалары жылы.	Жан қабырғаларда суыту кезінде қызатын құбырлар тұр.	Бұл қалыпты құрылғы жұмысы ақаулық емес. Құрылғыға тиіп тұрған жиһаздар жылу арқылы зақымдалмайды.

Бөгеттер	Ықтимал болған себебі	Ақаулылықтарды жою
Жарық істемей тұр.	LED шам жүйесі бұзылған қалыпта. Электрбұйым тым ұзақ уақыт бойы ашылып тұрды. Шам жүйесі шамасы 10 минуттан кейін өшіріледі.	"Шам беру жүйесі (LED)" тарауын оқыңыз. Электрбұйымды ашу және жабудан кейін шам жүйесі қайта қосылады.
Көрсеткіштердің бірде бірі жанбайды.	Электр қуаты жоқ; сақтандырғыштар іске қосылды; Аша дұрыс істемей тұр.	Штекерді жалғаңыз. Электр тоғының беріліп не берілмей тұрғанын – және сақтандыру құрылғысын тексеріңіз.
Мұздатқыш бөлімінің есігі ұзақ уақыт бойынша ашық болып тұрды; температура бұдан әрі керекті деңгейге жетпей тұр.	NoFrost-жүйесіндіге булағыш (суық шығару генераторы) аса мұздап кетіп, осы себептен өзі-өзімен автоматты түрде еріп кете алмайды.	Буландырғышты ерітіп алу үшін мұздатылған өнімдерді сөрелерден шығарып алып, қаптап суық бір орында сақтаңыз. Электрбұйымды өшіріп, қабырғадан ығыстырыңыз. Электрбұйым есігін ашып қойыңыз. Шамамен 20 минуттан кейін еріген су электрбұйымның артқы жағындағы булау сауытына аға бастайды. Бұл жағдайда, булау сауытынан еріген судың тасып кетуін болдырмау үшін, еріген суды сорғыш ысқышымен сіңдіріп алыңыз. Еріген судың булау сауытына ағылуы аяқталғанында буландырғыш толығымен ерітілді. Ішкі бөлімшесін тазалаңыз. Электрбұйымды қайта іске қосыңыз.

Тоңазытқыштың өзін-өзі тексеру

Тоңазытқыштың өзін-өзі тексеру автоматты түрде атқарылатын бағдарламасы бар. Бұл бағдарлама сервистік қызмет көрсету орталығы жөндейтін ақауларды анықтайды.

Электрбұйымның өз-өзін тексеру тестін бастау

1. Электрбұйымды өшіріп, 5 минут күтіңіз.
2. Құрылғыны қосып, алғашқы 10 секунд бойынша "-" реттеу түймешігін, акустикалық дыбысты белгісі естілгенше дейін 3-5 секунд бойы баса беріңіз.

Өзін-өзі тексеру бағдарламасы басталады.

Өзін-өзі тексеру тест барысында ұзақ дыбысты белгі естілетін болады.

Өзін-өзі тексеру тест аяқталып, акустикалық белгі екі рет естілгені бұйымыздың қалыптағыдай жағдайда болғанын көрсетеді.

5 Акустикалық сигналдар естілгені қателердің бар болуын білдіреді. Қызмет көрсету сервис орнына қате туралы хабарлаңыз.

Тоңазытқыштың өзін-өзі тексеруін аяқтау

Осы бағдарлама аяқталғаннан кейін электрбұйым қалыпты жұмыс тәсіліне көшеді.

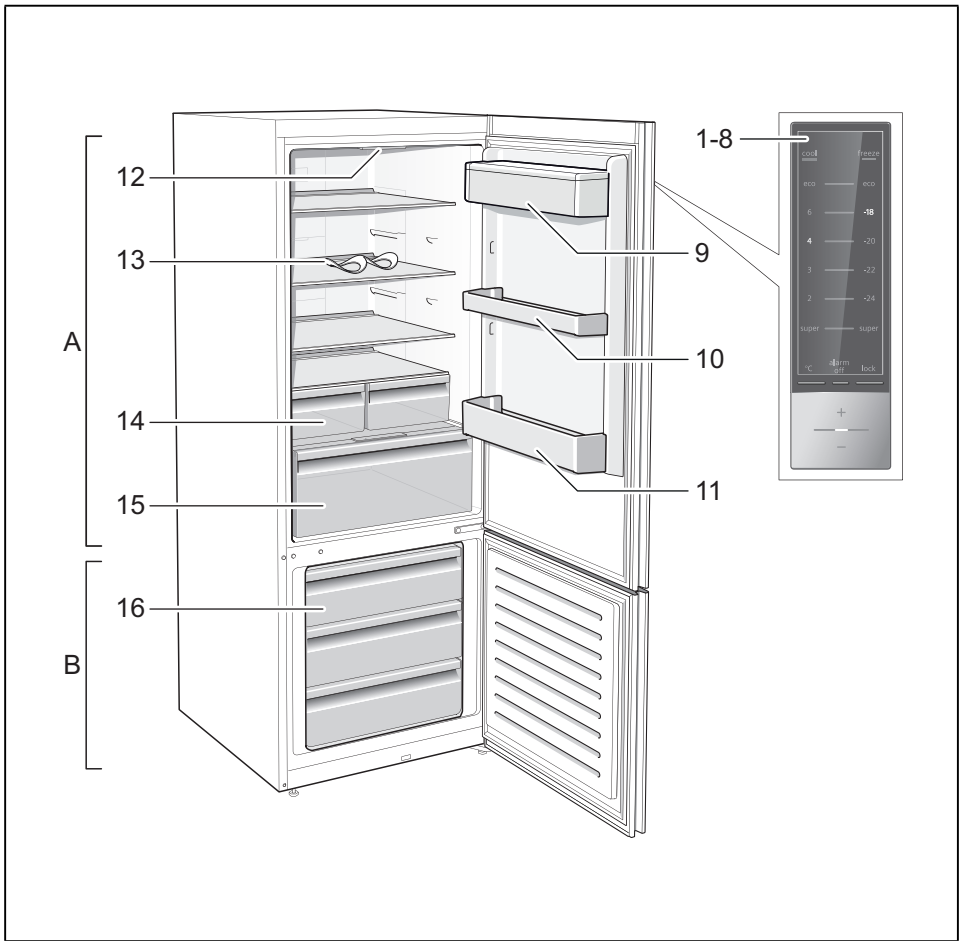
Сервистік қызмет көрсету

Сервис қызмет көрсету орталығының телефон нөмірін телефон анықтамалығында немесе сервис көрсету тізімінде таба аласыз. Сервис қызмет көрсету орталығымен хабарласқанда электрбұйымның өнім нөмірін (E-Nr.) және бұйымның өндіру нөмірін (FD-Nr.) хабарлаңыз. Бұл мәліметтер техникалық ақпарат тақташасында көрсетілген. **12** суреті Үстеме жолға шығуын болдырмау үшін сервис қызмет көрсету орталығына телефон соққанда электрбұйымның өнім нөмірін және бұйымның өндіру нөмірін дайындап отырыңыз. Осы әрекет арқылы осыларға байланысты үстеме шығындарына да жол бермеуіңізге болады.

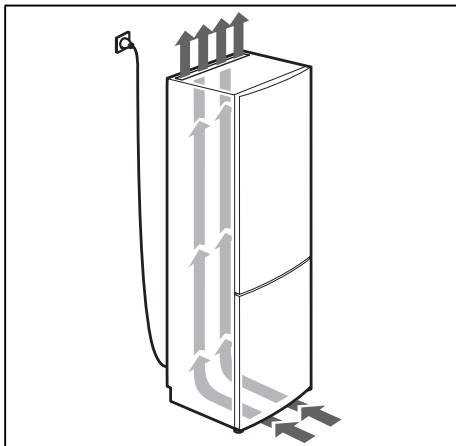
Жөндеу тапсырмалары мен бөгет кезіндегі кеңестер

Сервис қызметтерінің қоса ұсынылған тізімінде олардың барлық елдердегі байланысу мәліметтері көрсетілген.

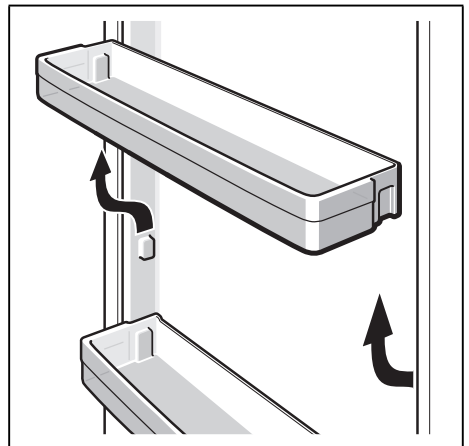
KZ 8 800 800 801



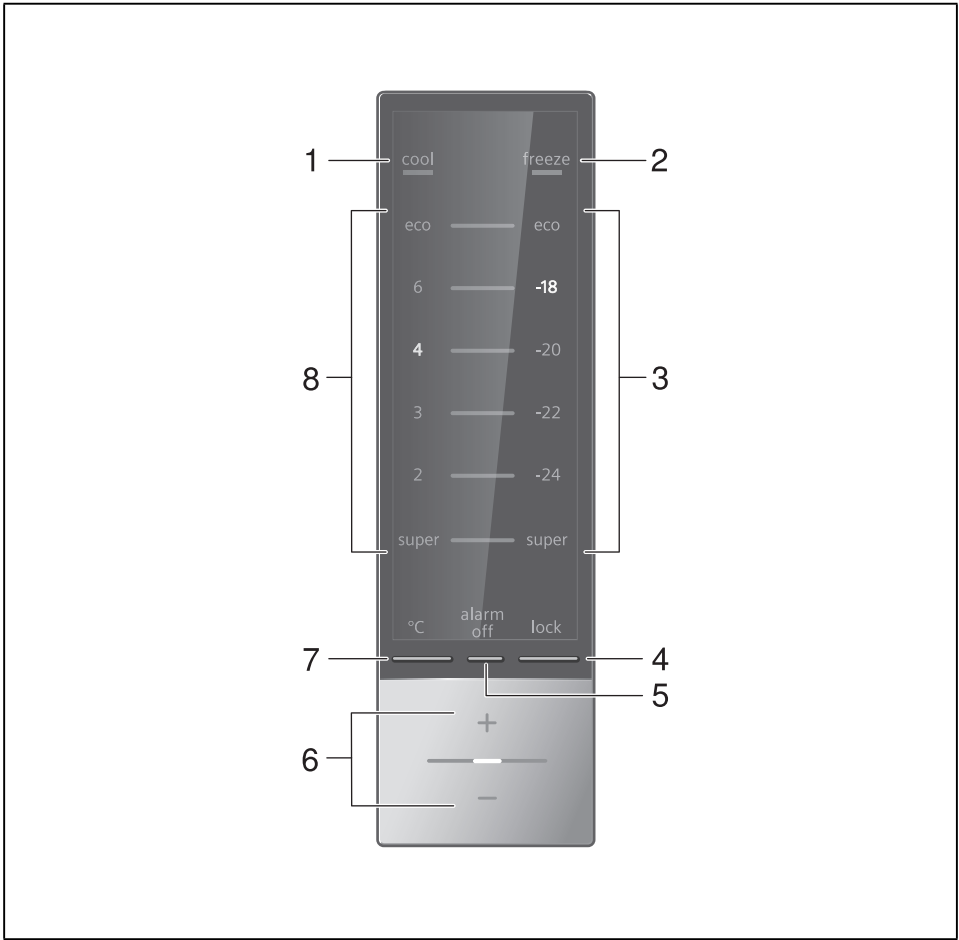
1



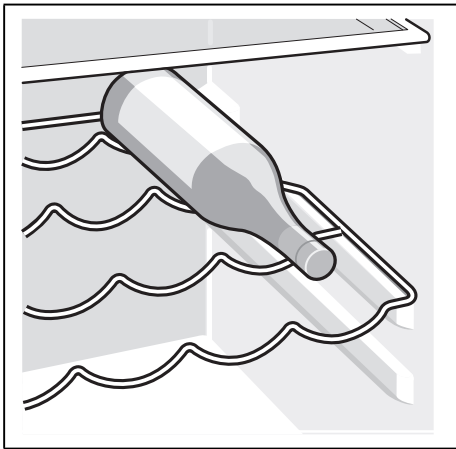
2



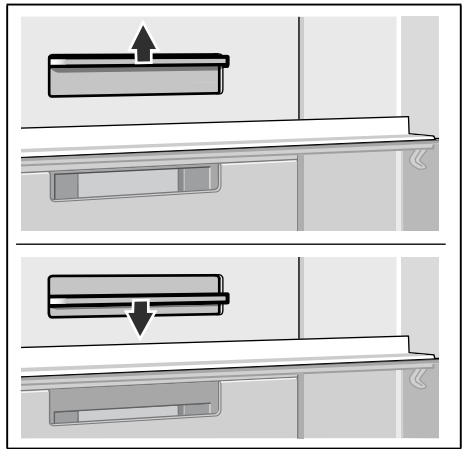
3



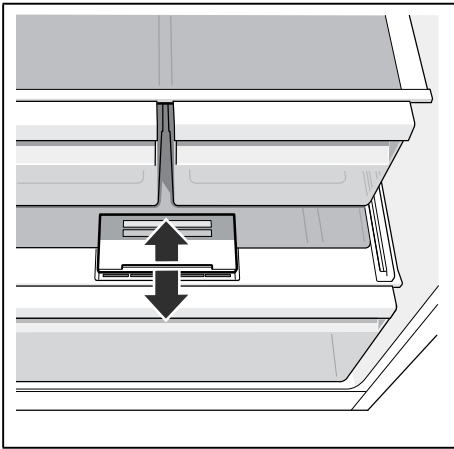
4



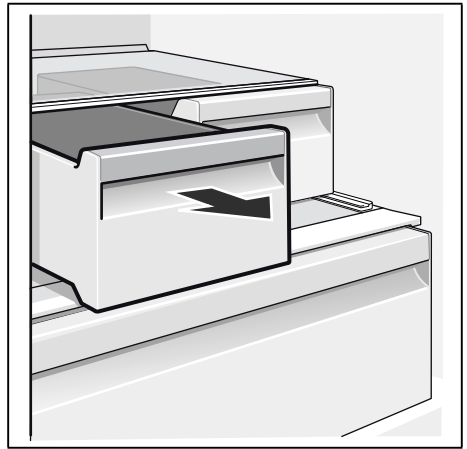
5



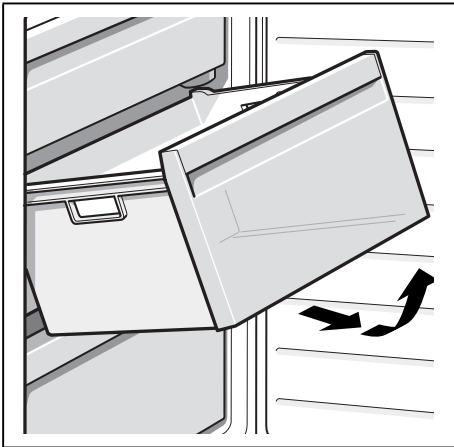
6



7



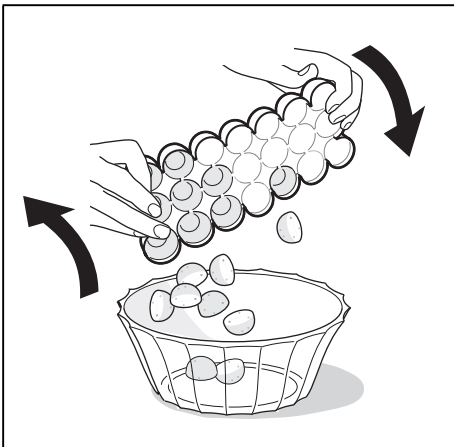
8



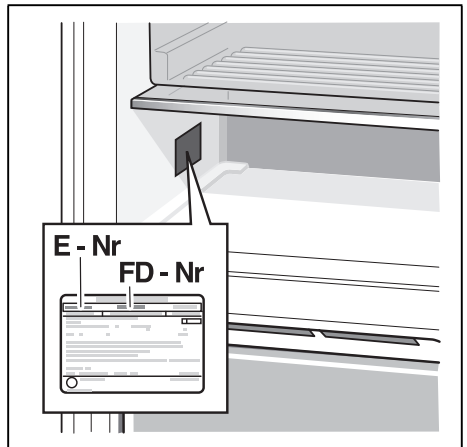
9



10



11



12

BSH Hausgeräte GmbH
Carl-Wery-Str. 34
81739 München

GERMANY

Manufactured by BSH Hausgeräte GmbH under Trademark License of Siemens AG
Изготовлено ООО «БСХ Бытовые Приборы» под товарным знаком компании Сименс АГ
Шығарушы: ЖШҚ „БСХ Бытовые Приборы“ Сименс АГ тауар белгісімен

siemens-home.bsh-group.com



9001098803 (0008) en, ru, kk