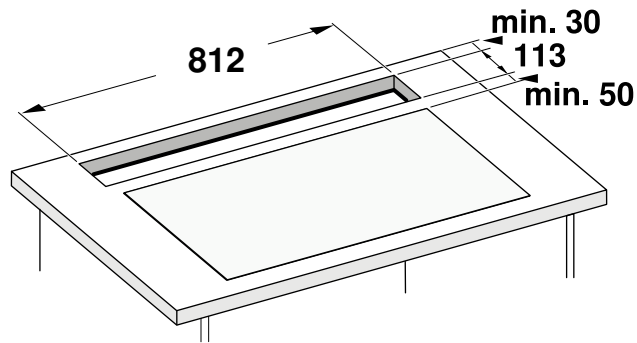
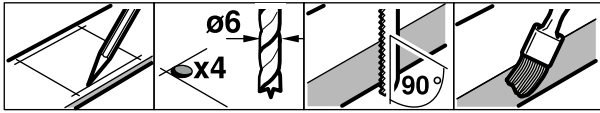


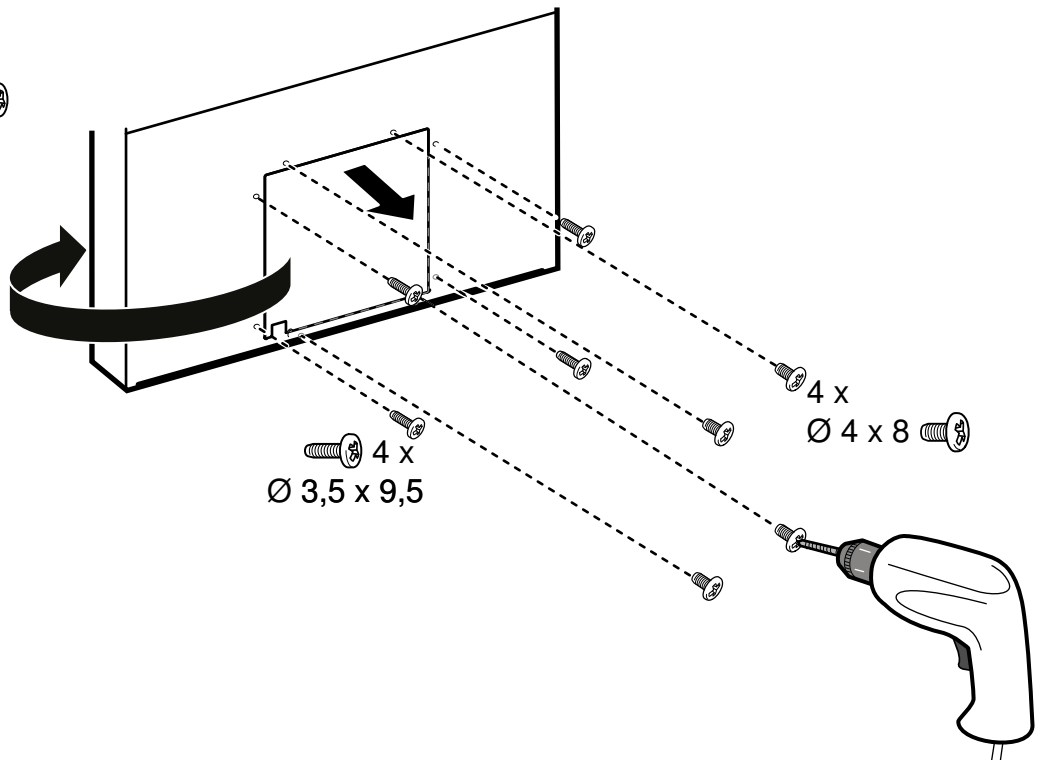
2

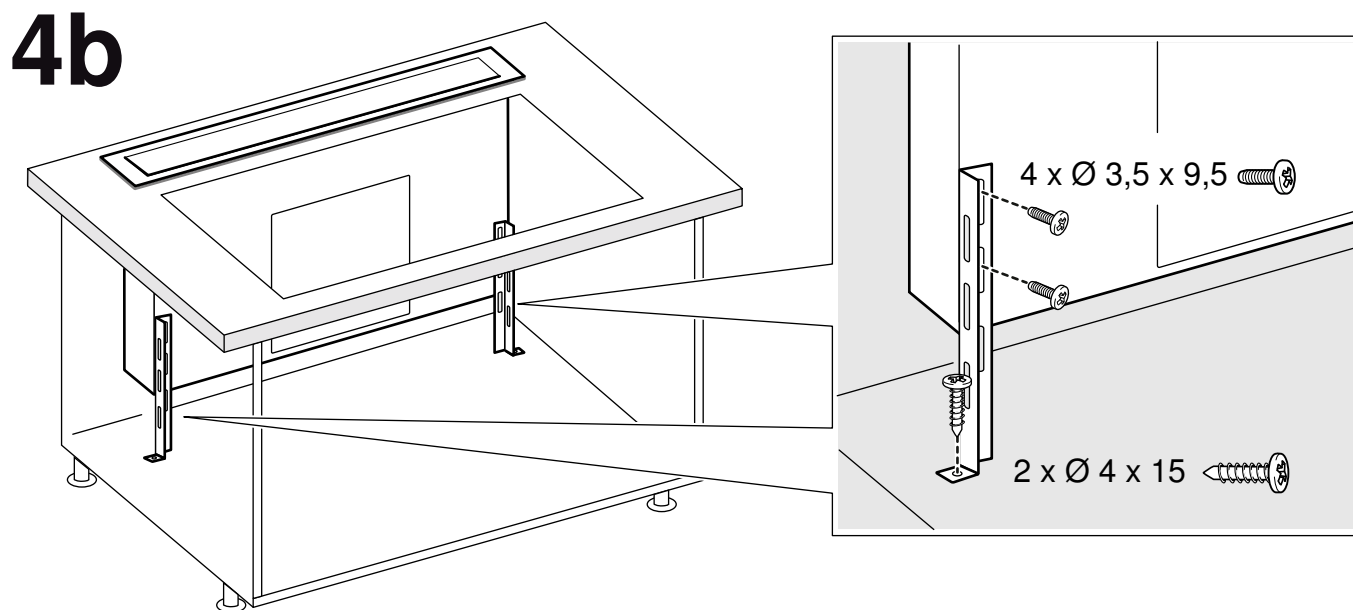
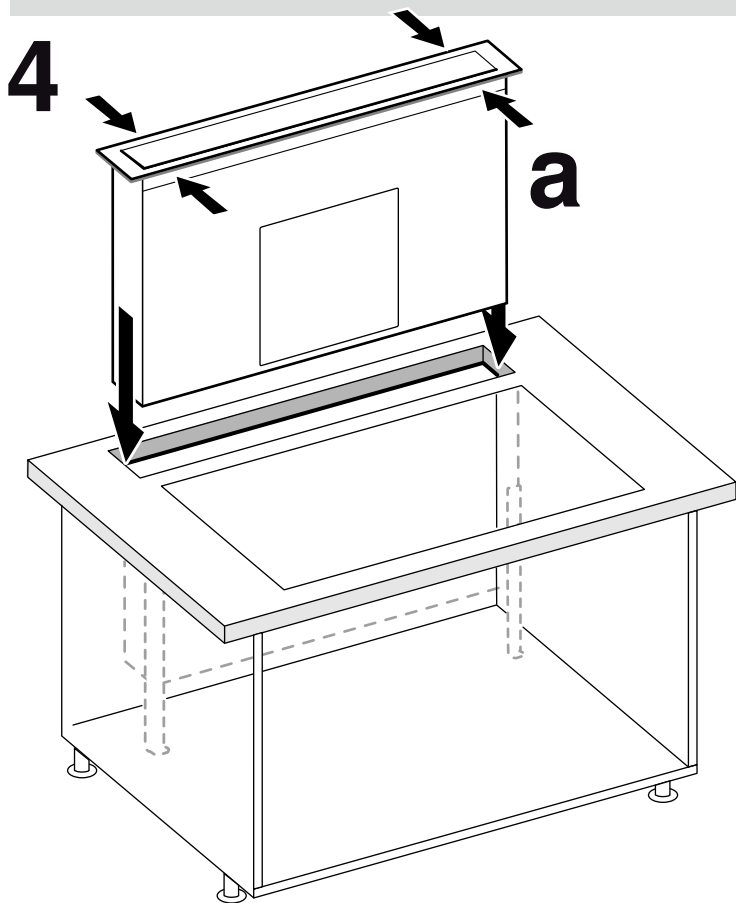


3

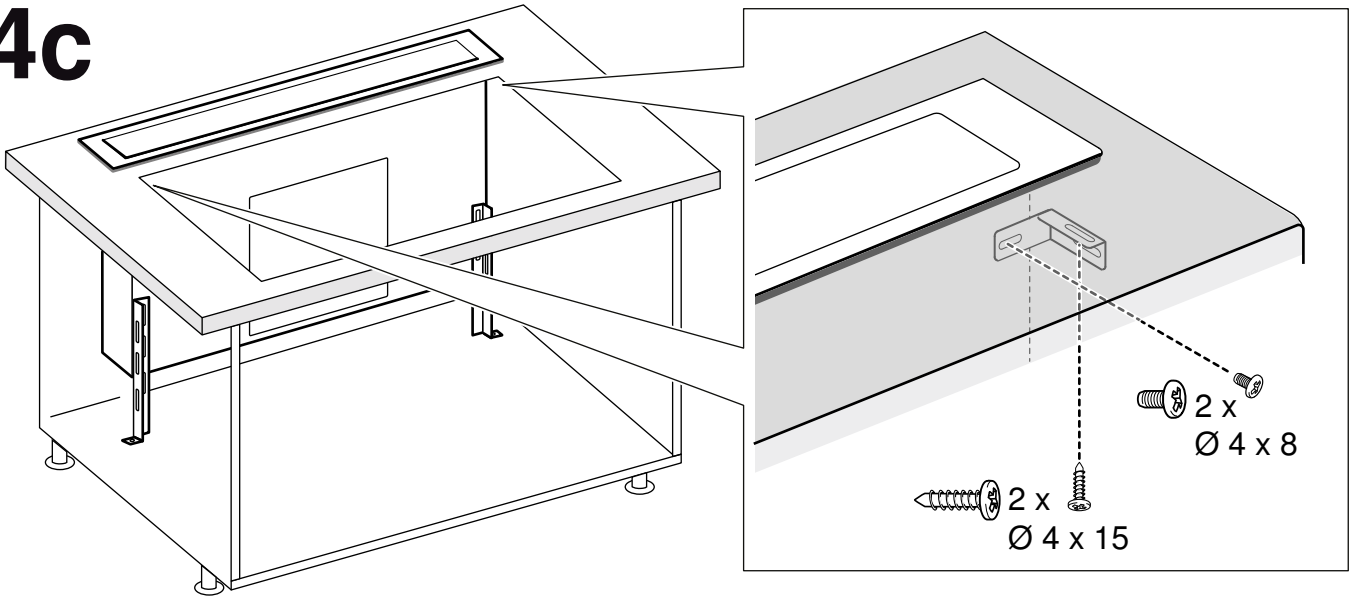
4 x
Ø 4 x 8

4 x
Ø 3,5 x 9,5

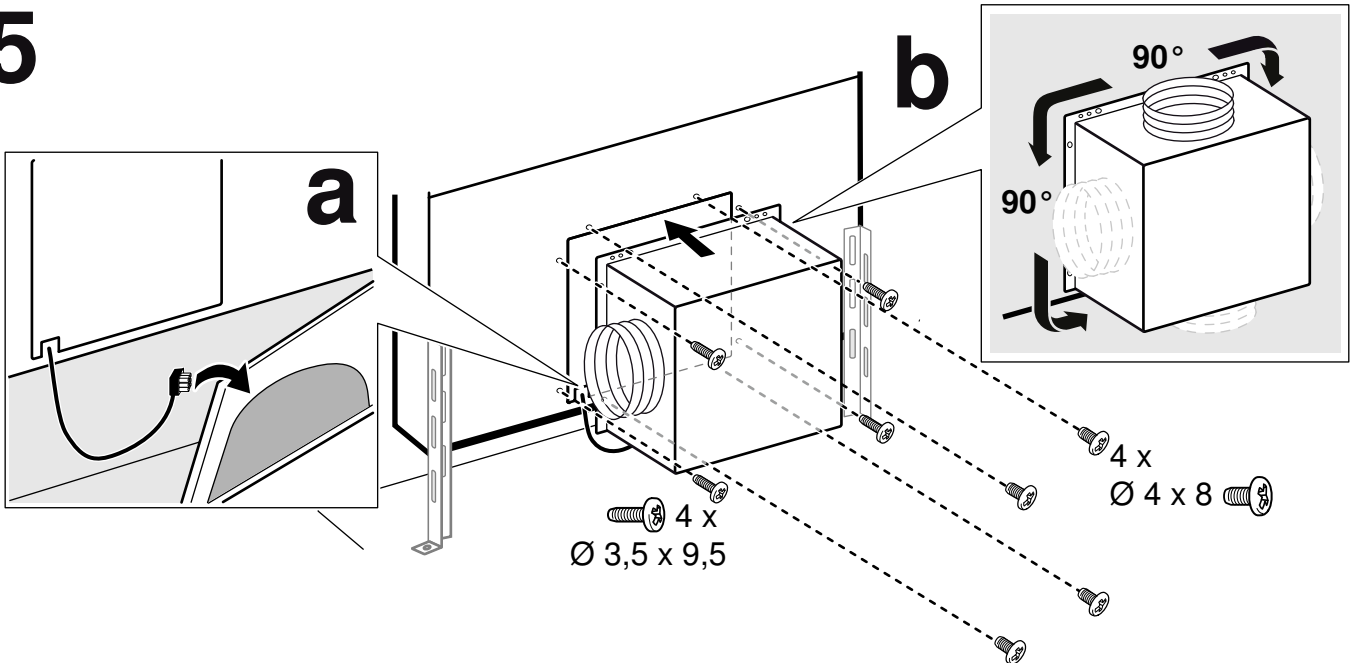




4c

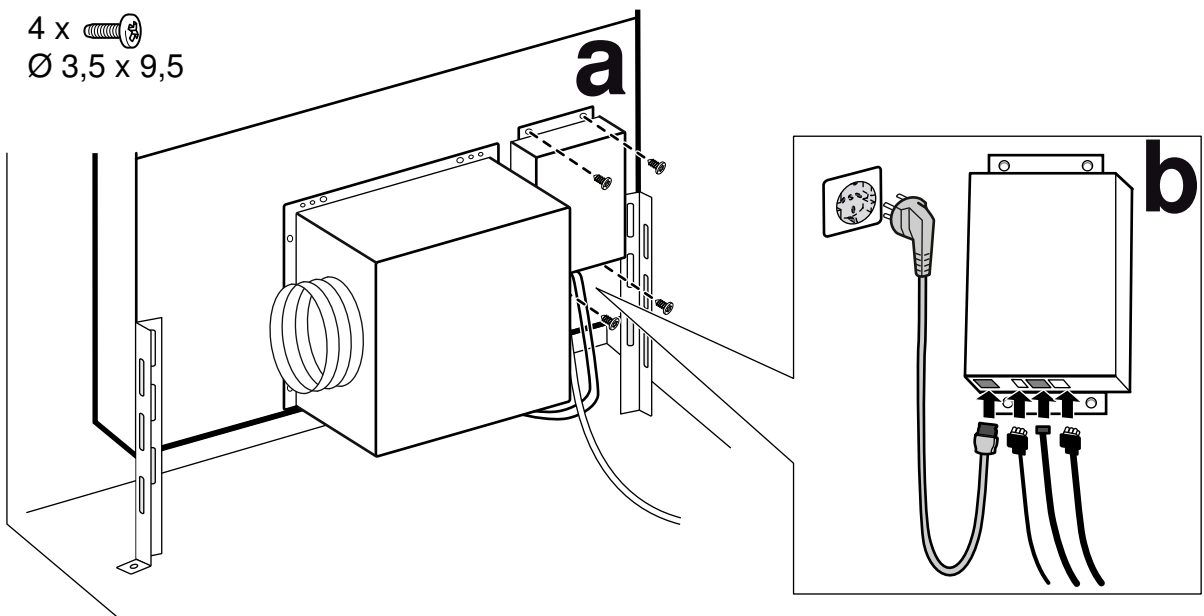


5



6

4 x Ø 3,5 x 9,5



Important safety information

Read these instructions carefully. Only then will you be able to operate your appliance safely and correctly. Retain the instruction manual and installation instructions for future use or for subsequent owners.

The appliance can only be used safely if it is correctly installed according to the safety instructions. The installer is responsible for ensuring that the appliance works perfectly at its installation location.

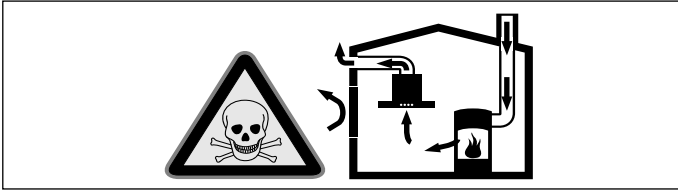
The width of the extractor hood must correspond at least with the width of the hob.

For the installation, observe the currently valid building regulations and the regulations of the local electricity and gas suppliers.

Danger of death!

Risk of poisoning from flue gases that are drawn back in.

Always ensure adequate fresh air in the room if the appliance is being operated in exhaust air mode at the same time as room air-dependent heat-producing appliance is being operated.

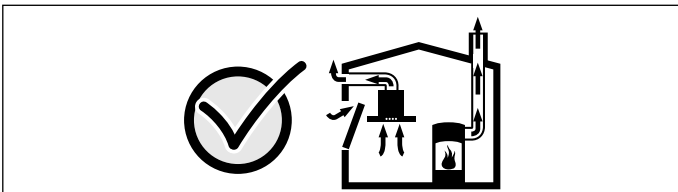


Room air-dependent heat-producing appliances (e.g. gas, oil, wood or coal-operated heaters, continuous flow heaters or water heaters) obtain combustion air from the room in which they are installed and discharge the exhaust gases into the open air through an exhaust gas system (e.g. a chimney).

In combination with an activated vapour extractor hood, room air is extracted from the kitchen and neighbouring rooms - a partial vacuum is produced if not enough fresh air is supplied. Toxic gases from the chimney or the extraction shaft are sucked back into the living space.

- Adequate incoming air must therefore always be ensured.
- An incoming/exhaust air wall box alone will not ensure compliance with the limit.

Safe operation is possible only when the partial vacuum in the place where the heat-producing appliance is installed does not exceed 4 Pa (0.04 mbar). This can be achieved when the air needed for combustion is able to enter through openings that cannot be sealed, for example in doors, windows, incoming/exhaust air wall boxes or by other technical means.



In any case, consult your responsible Master Chimney Sweep. He is able to assess the house's entire ventilation setup and will suggest the suitable ventilation measures to you.

Unrestricted operation is possible if the vapour extractor hood is operated exclusively in the circulating-air mode.

Danger of death!

Risk of poisoning from flue gases that are drawn back in. If installing a ventilation system in a room with a heat-producing appliance connected to a chimney/flue, the electricity supply to the hood must be equipped with a suitable safety switch.

Risk of fire!

- Operating several gas burners at the same time gives rise to a great deal of heat. The ventilation appliance may become damaged or catch fire. The ventilation appliance must only be combined with gas burners that do not exceed the maximum total output of 12.4 kW.
- Grease deposits in the grease filter may catch fire. The specified safety distances must be observed in order to prevent an accumulation of heat. Observe the specifications for your cooking appliance. If gas and electric hobs are operated together, the largest specified distance applies.

Only one side of the appliance may be installed directly next to a high-sided unit or a wall. The distance between the appliance and wall or high-sided unit must be at least 50 mm.

Risk of injury!

- Components inside the appliance may have sharp edges. Wear protective gloves.
- The appliance is heavy. To move the appliance, 2 people are required. Use only suitable tools and equipment.

Risk of electric shock!

Components inside the appliance may have sharp edges. These may damage the connecting cable. Do not kink or pinch the connecting cable during installation.

Danger of suffocation!

Packaging material is dangerous to children. Never allow children to play with packaging material.

Risk of tipping!

The appliance is very narrow and can tip over easily. Do not set the appliance on an uneven surface. Set the appliance flat on the surface.

General information

Exhaust air mode

Note: The exhaust air must not be conveyed into a functioning smoke or exhaust gas flue or into a shaft which is used to ventilate installation rooms which contain heat-producing appliances.

- Before conveying the exhaust air into a non-functioning smoke or exhaust gas flue, obtain the consent of the heating engineer responsible.
- If the exhaust air is conveyed through the outer wall, a telescopic wall box should be used.

Circulating-air mode

Note: The appliance must only be operated when it is securely installed and the pipework is connected.

Exhaust duct

Note: The device manufacturer does not assume any warranty for complaints attributable to the pipe section.

- The device achieves its optimum performance by means of a short, straight exhaust air pipe and as large a pipe diameter as possible.
- As a result of long rough exhaust air pipes, many pipe bends or pipe diameters that are smaller than 150 mm, the optimum extraction performance is not achieved and fan noise is increased.
- The pipes or hoses for laying the exhaust air line must consist of non-combustible material.

Round pipes

An inner diameter of 150 mm, but at least 120 mm, is recommended.

Flat ducts

The inner cross-section must correspond to the diameter of the round pipes.

dia. 150 mm ca. 177 cm²

dia. 120 mm ca. 113 cm²

- Flat ducts should not have any sharp deflections.
- Use sealing strips for deviating pipe diameters.

Gas hob

The appliance can be used in conjunction with a gas hob.

Caution!

The gas hob must not exceed the following values:

- Total maximum output: 12.4 kW
- Maximum output for a single burner: 5 kW
- Maximum of 5 single burners

Electrical connection

⚠ Risk of electric shock!

Components inside the appliance may have sharp edges. These may damage the connecting cable. Do not kink or pinch the connecting cable during installation.

Check the indoor installation before connecting the appliance. Ensure that the indoor installation is sufficiently fused. The voltage and frequency of the appliance must correspond to that of the electrical installation (see rating plate).

The appliance corresponds to protection class I and must only be operated with a protective earth connection.

An all-pole isolating switch with at least a 3 mm contact gap must be fitted in the installation. The plug must still be accessible after installation.

Only a qualified electrician who takes the appropriate regulations into account may install or replace the connecting cable.

If the power cord for the appliance becomes damaged, this must be replaced with a special connecting cable that can be obtained from the manufacturer or the manufacturer's customer service department.

Appliance measurements (fig. 1)

Preparing the kitchen units (fig. 2)

Note: Make sure that the entire front surface of the appliance is accessible. Otherwise, it may not be possible to fit the bracket for securing the appliance to the bottom of the unit. If necessary, remove the back panel from the unit.

The fitted unit must be heat-resistant up to 90 °C. The stability of the fitted unit must also be guaranteed after the cut-out work.

Make the cut-out in accordance with the installation drawing. The cut surface must be at a 90° angle to the work surface.

After making the cut-outs, remove any shavings. Seal any cut surfaces to make them heat-resistant.

Ensure that there is a minimum clearance of at least 10 mm from the underside of the appliance to the unit parts.

The work surface must be reinforced if the gap between the appliance and the wall is less than 30 mm, or the gap between the appliance and the hob is less than 50 mm. Otherwise there is not enough stability. The reinforcing material used must be heat and moisture resistant.

Notes

- The work surface in which the appliance is installed must have a load-bearing capacity of approximately 60 kg.
- Only check the evenness of the appliance after fitting it in the installation opening.

Preparing the appliance

Note: Depending on the fitted unit, fit the fan housing either on the front or the back of the appliance. When it is fitted, the fan housing can be rotated by 90° at a time and the outlet positioned wherever is most suitable.

The air inlet and lighting can be found on the front of the appliance. When the appliance is delivered, it comes with a cover on the back.

If you wish to fit the fan housing to the back of the appliance,

1. unscrew the cover from the back and screw it to the front of the appliance. **(Fig.3)**
2. Route the fan motor cable out of the cover plate at the front and over to the rear of the appliance.

Fitting the appliance

1. Position the appliance such that the front is facing the hob and slide it down into the cut-out in the work surface. **(Fig.4a)**
2. Insert the appliance evenly into the cut-out. Push it down firmly into the cut-out.

Notes

- The appliance must sit fast in the cut-out and must not be able to move around (e.g. during cleaning). If the width of the cut-out is at the upper tolerance limit, secure the ledges at the sides in the cut-out if necessary.
 - Remove the two plastic parts on the left and right of the cover. **(Fig.4a)**
3. Line up the appliance in the cabinet. Ensure that the appliance frame is lying flat against the work surface. Secure the mounting bracket to the appliance and to the bottom of the unit. **(Fig.4b)**
 4. Secure the upper mounting bracket. Holes are provided on the appliance for securing the bracket in place. Secure the mounting bracket to the top of the appliance and to the underside of the work surface. **(Fig.4c)**
 5. Connect the fan motor cable to the fan. The socket can be found on the front side of the fan near the base of the housing. **(Fig.5a)**
 6. Fit the fan housing in the recess on the front or rear of the appliance; the housing can be rotated by 90° at a time and the outlet positioned wherever is most suitable. **(Fig.5b)**
 7. Secure the control unit to the appliance next to the fan housing. **(Fig.6a)**

Alternatively, the control unit can be secured on the other side of the fan motor on the unit wall.

Caution!

Penetrating moisture may cause electric shock. Do not secure the control unit to the bottom of the fitted unit.

8. Connect the connection cables **(Fig.6b)**. Firmly connect the control cables from the control unit to the appliance. The connectors must snap into place. Connect the control unit to the mains and check that it is working correctly.

Note: If the appliance does not work, check that the connection cables are fitted in place correctly.

Removing the appliance

1. Disconnect the appliance from the power supply.
2. Loosen the screw connections with the unit.
3. Unscrew the attachment parts of the appliance.
4. Push out the appliance from below.

Caution!

Danger to the appliance. Do not lift up the appliance from above.

