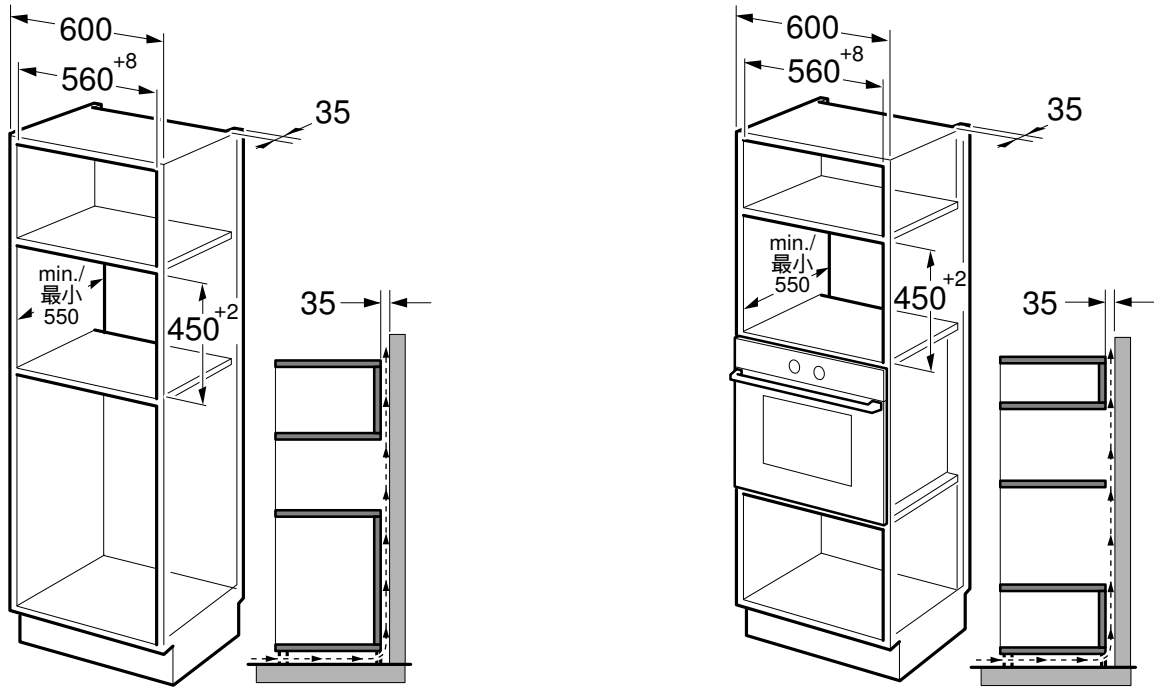
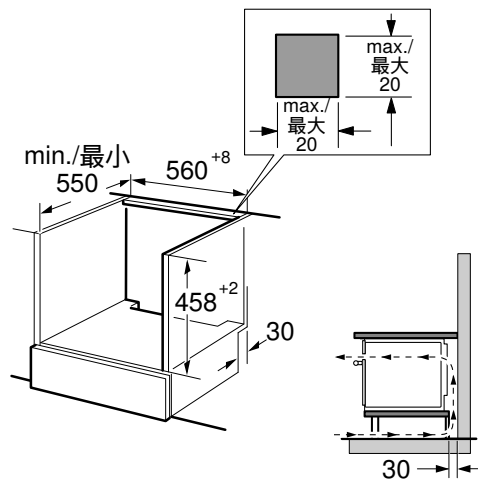


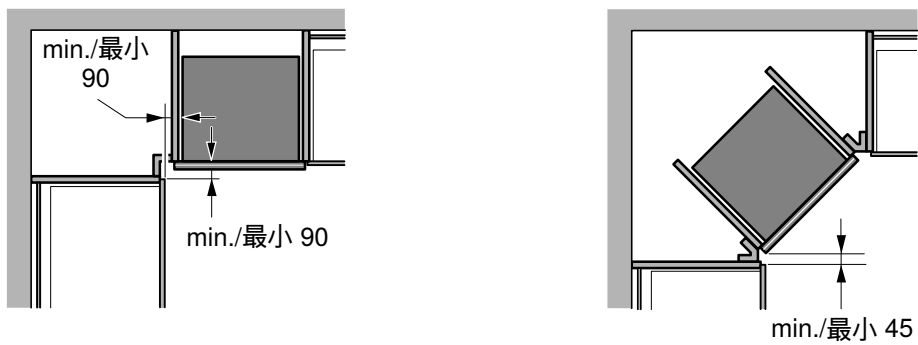
1



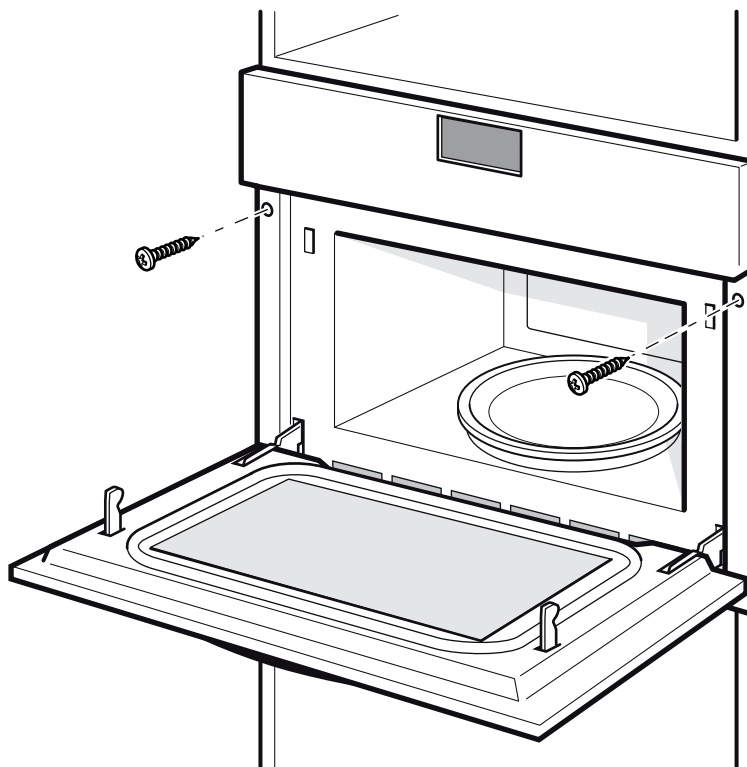
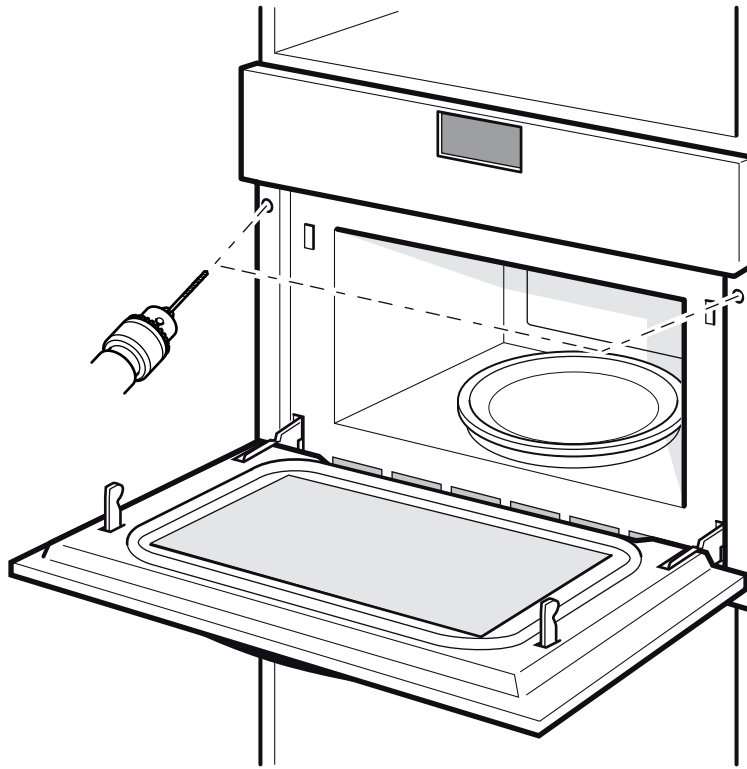
2



3



4



## Important information

The appliance is designed to be permanently installed with a three-pin power cord and may only be connected by a licensed expert in accordance with the connection diagram.

Only a qualified electrician who takes the relevant regulations into account may replace the power cord.

Do not use multiple plugs, power strips or extensions. Overloading causes a risk of fire.

If the connection is no longer accessible following installation, an all-pin isolating switch with a contact gap of at least 3 mm must be provided.

### Connect the wires of the mains power cord in accordance with the following colour coding:

Green and yellow	Earth wire ⊕ (E)
Blue	Neutral wire (N)
Brown	Live (L)

### Great Britain and Australia:

Do not connect the appliance using a 13 A plug or protect it with a 13 A fuse. The appliance must be protected using a fuse that is rated 16 A or higher. The appliance must be disconnected from the power supply during all installation work. When the appliance is installed, protection must be provided against accidental contact in the future.

## Fitted units

This appliance is only intended to be fully fitted in a kitchen. This appliance is not designed to be used as a tabletop appliance or inside a cupboard.

The fitted cabinet must not have a back wall behind the appliance. A gap of at least 35 mm must be maintained between the wall and the base or back panel of the unit above.

The fitted cabinet must have a ventilation opening of 50 cm<sup>2</sup> on the front. To achieve this, cut back the base panel or fit a ventilation grille. Ventilation slots and intakes must not be covered. The safe operation of this appliance can only be guaranteed if it has been installed in accordance with these installation instructions. The fitter is liable for any damage resulting from incorrect installation. The units into which the appliance is fitted must be heat-resistant up to 90 °C, and adjacent unit fronts up to at least 65 °C.

### Appliance in the upper cabinet – Fig. 1

### Oven under the work surface – Fig. 2

There must be a ventilation cut-out made in the intermediate floor of the base unit.

If the appliance is being installed beneath a hob, observe the hob assembly instructions.

### Corner installation – Fig. 3

The dimensions must be taken into consideration for corner installation.

## Securing the appliance in place - Fig. 4

1. Fully insert the appliance and centre it.  
Do not kink the connecting cable.
2. Screw the appliance into place.  
The gap between the worktop and the appliance must not be closed by additional battens.

### Removal

1. Disconnect the appliance from the power supply.
2. Undo the securing screws.
3. Raise the appliance slightly and pull it out completely.

## 重要注意事項

電器必須永久連接到3極電線，施工時必須由合格的電工依照電線附件的線路圖連接。

電線必須由合格的電工更換，並符合適用的規定。

切勿使用拖板和延長線。過載時有發生火災的風險。

為符合當前的安全規定，安裝的線路必須具備全極斷路裝置，觸點間隙至少3毫米。

### 主電源線顏色所表示的意思如下：

綠色和黃色	接地 ⊕ (E)
藍色	中性 (N)
棕色	相位 (L)

### 英國和澳洲：

切勿使用13 A插頭連接電器或是13 A保險絲保護電器，必須使用16 A保險絲。安裝前必須中斷電力連接。安裝時必須確定觸點受到保護。

## 安裝元件

焗爐必須完整地安裝於廚房中。焗爐不得做為桌上型設備或安裝至櫥櫃中。

櫥櫃不得安裝於焗爐後方的背壁。焗爐底部或背板必須與牆壁間隔35毫米。

櫥櫃前方必須保留50 cm<sup>2</sup>的通風口。可在底座板開口或安裝通風護柵。不得遮蔽通風槽與通風口。此電器只在遵照說明安裝並符合標準時，方可確保電器安全運作。聘請安裝工人可免於不當安裝所帶來的危險。安裝於焗爐的零件必須耐熱90 °C，鄰近零件需耐熱65 °C。

### 將焗爐安裝在上方櫥櫃– 圖. 1

### 將焗爐安裝在工作檯下– 圖. 2

必須在焗爐底部的中間隔板切出一個通風口。

若將此焗爐安裝在爐架底下，請參閱爐架的組裝說明。

### 角落處安裝 – 圖. 3

安裝到角落位時，必須考慮尺寸。

## 固定焗爐 - 圖. 4

1. 安裝完整焗爐並置中。  
請勿扭曲電源接線。
2. 固定焗爐螺絲。  
工作檯與焗爐之間的空隙不得塞入多餘木條。

### 拆除

1. 中斷焗爐的電源供應。
2. 鬆開固定螺絲。
3. 輕輕抬高焗爐，再完全拉出