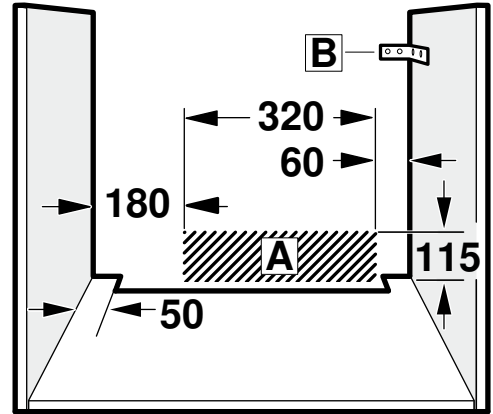
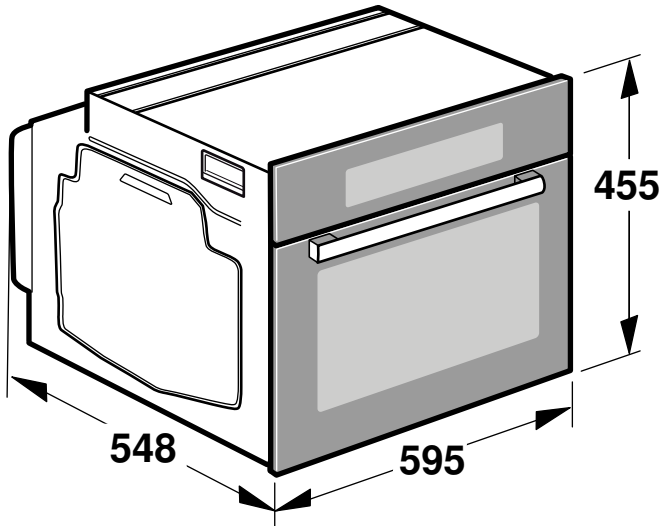
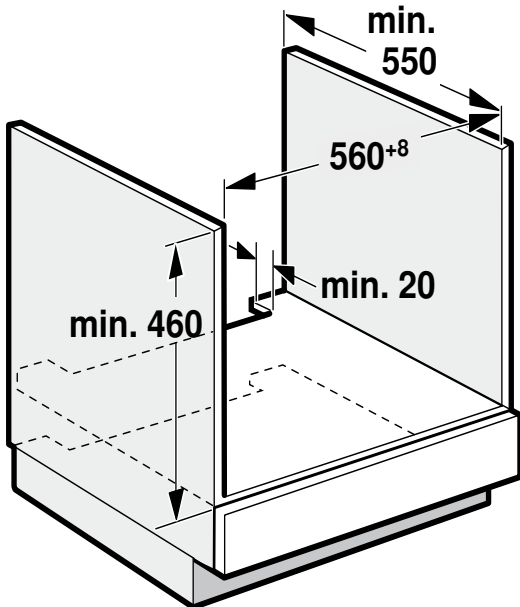




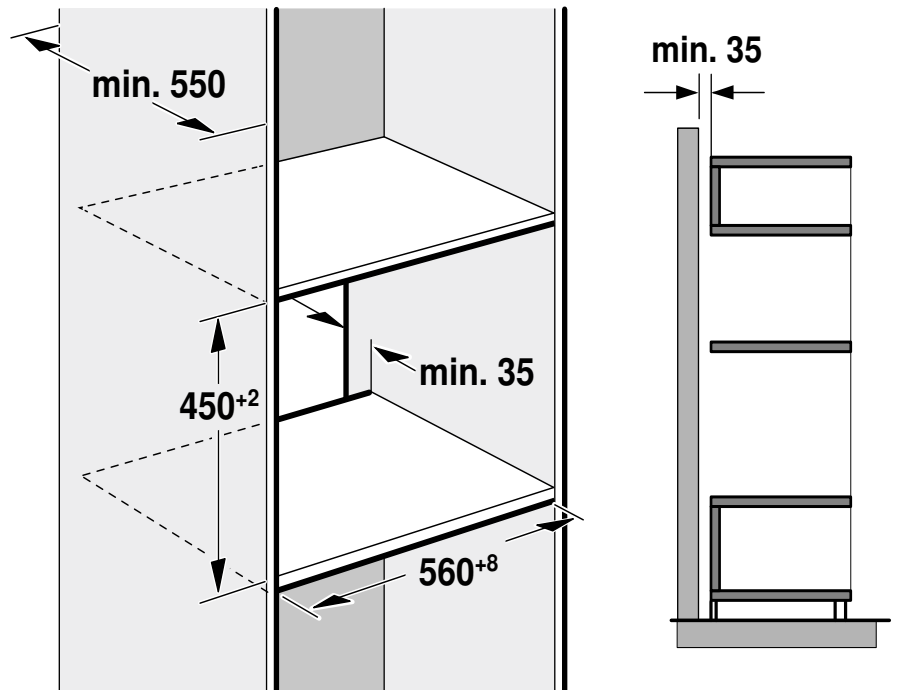
1



2



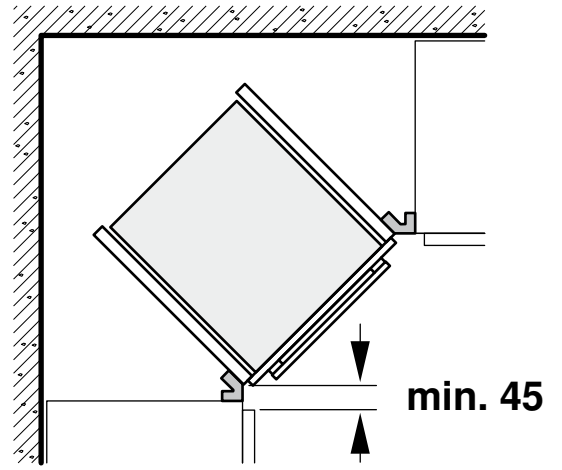
3



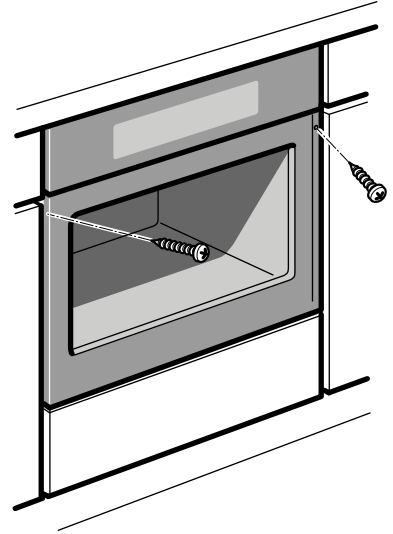
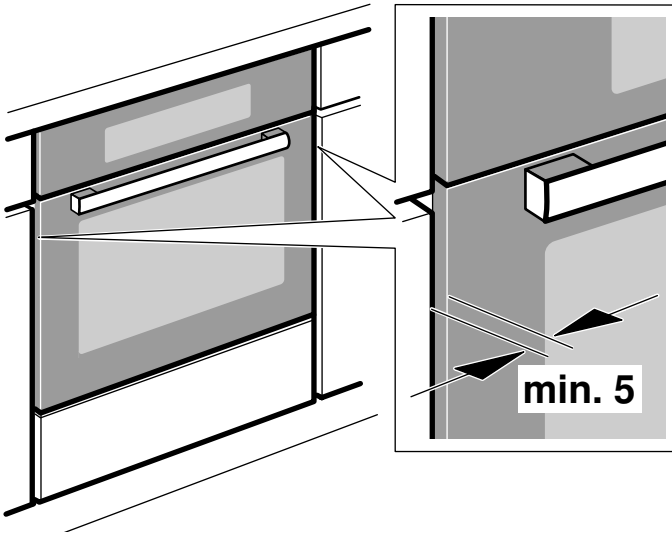
4



C



5



## 重要信息 – 图 1

- 电器所在的橱柜应没有后壁。墙壁与橱柜底座以及上方橱柜后面板之间必须保持至少 35 mm 的距离。
- 安装电器的橱柜前部必须有一个 50 cm<sup>2</sup> 的通风口。如果外围单元上没有通风口，则须在侧壁后部留一个 200 cm<sup>2</sup> 大小的通风开口。为此，切割底板或安装通风格栅。
- 不得遮盖通风槽和进风口。
- 拆包后请检查电器是否有损坏。如果电器在运输过程中损坏，请勿连接。
- 请按照安装文件进行配件安装。
- 开始启动电器前，请先取出烹饪箱中和电器门上的包装材料和胶膜。
- 所安装的橱柜必须能够承受高达 90 °C 的温度，相邻橱柜的面板能够承受高达 70 °C 的温度。
- 切勿将电器安装在装饰面板后面，因为这会造成电器过热的风险。
- 任何需要在橱柜上开的开孔应在安装电器备好。清除刨花，因为刨花可能会妨碍电气部件正常工作。
- 请戴上防护手套，避免割伤自己。在安装过程中碰得到的部件可能具有锋利的边缘。
- 对于具有铰链开关板的电器，请确保开关板在打开时不会碰到临近的厨房橱柜。
- 电器的插座必须位于阴影区域 **A**，或者在电器安装区域之外。
- 使用标准支架 **B** 将未固定的橱柜固定至墙壁。
- 示意图中的尺寸单位为 mm。

### ⚠ 电子植入物佩戴者！

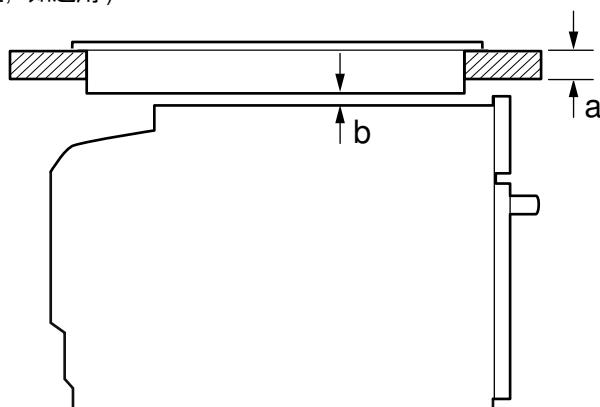
本设备可能包含永久磁铁，会对心脏起搏器或胰岛素泵等电子植入物造成影响。因此在安装本设备时，必须与电子植入物保持至少 10 cm 的距离。

### 将电器安装在工作台下 - 图 2

为了便于电器通风，中间隔板必须设有通风口。

将工作台固定到所安装的橱柜上。

如果将电器安装到灶具下面，则必须遵循以下最小尺寸标准（包括基座，如适用）：



灶具类型	a	a	b
固定式		与周围表面保持水平	
电磁灶	42 mm	43 mm	5 mm
全灶面感应电磁灶	48 mm	53 mm	5 mm
燃气灶	37 mm	47 mm	5 mm
电灶	28 mm	30 mm	2 mm

最小工作台厚度 **a** 取决于所需的最小尺寸 **b**。

遵守灶具安装说明。

### 将电器安装在高柜中 - 图 3

为了便于电器通风，中间隔板必须设有通风口。

如果除了元件后面板之外，高柜上还有一个后面板，则必须将此后面板拆卸下来。

电器的安装高度必须 便于轻松拆卸附件。

### 转角处的安装 – 图 4

在转角处安装时，为了确保电器门可以打开，考虑尺寸 **C**。尺寸 **D** 取决于手柄下方的橱柜面板的厚度。

### 连接电器

本电器属于 1 类防护，使用时必须配备保护性接地连接。

熔断保护必须符合电器铭牌上指定的额定功率以及符合当地规定。任何时候进行安装操作，电器必须从电源断开。

只能使用随电器提供的电源线连接电器。将电源电缆连接至电器后部（注意听咔哒声！）。

3 m 长的电源线可以从售后服务部门获得。

只能用原制造商提供的电线更换电源线，可以通过售后服务部门获得。

进行电器安装时，必须提供防止日后出现意外接触的保护措施。

### 插头带接地触点的电源线

只能将电器连接至安装正确的带保护触点的插座中。

安装后，如果插头使用不便，则必须在安装侧安装一个全电极隔离开关，触点间隙至少为 3 mm。

### 插头不带三相接地插头的电源线

只能由持有证书的专业人员可以连接本电器。

安装时，必须有一个触点间隙至少为 3 mm 的全极隔离开关。识别电源插座中的火线和中线。如果没有正确连接，电器可能会损坏。必须按照接线图指示连接电磁灶。电压参见铭牌。根据颜色代码连接主电源线的导线：绿 / 黄 = 地线 ⊕，蓝 = 中性线，棕 = 火线（外连导线）。

### 仅对于瑞典、芬兰和挪威

也可使用所提供的带有接地触点系统的插头连接电器。安装之后，必须能够接触到插头。如果插座无法触及，则必须在安装侧安装一个全电极隔离开关，触点间隙至少为 3 mm。

## 将电器固定到位 - 图 5

1. 完全插入电器并使其居中放置。

2. 将电器螺丝拧到位。

切勿使用附加木条将工作台和电器之间的间隙封闭起来。

请勿将隔热条安装到周围橱柜的侧板上。

### 拆除

1. 断开电器电源。

2. 拧开固定螺钉。

3. 稍微抬高电器并将其完全拉出。

## Important information – fig. 1

- The fitted cabinet must not have a back panel behind the appliance. There should be a gap of at least 35 mm between the wall and the cabinet base as well as the rear panel of the cabinet situated above.
- The fitted cabinet must have a ventilation opening measuring 50 cm<sup>2</sup> on the front. On surround units without a ventilation cut-out, there must be a ventilation opening measuring 200 cm<sup>2</sup> towards the rear of the side panels. To do this, trim the base panel or fit a ventilation grille.
- Ventilation slots and intake openings must not be covered.
- Check the appliance for damage after unpacking it. Do not connect the appliance if it has been damaged in transit.
- Proceed in accordance with the installation sheets for installing accessories.
- Before starting up the appliance, remove any packaging material and adhesive film from the cooking compartment and the door.
- Fitted units must be heat-resistant up to 90 °C, and adjacent unit fronts up to 70 °C.
- Do not install the appliance behind a decorative panel, as this puts the appliance at risk of overheating.
- Any cut-outs that need to be made in the units should be made before the appliance is installed. Remove any shavings, as they may prevent the electrical components from working properly.
- Wear protective gloves so that you do not cut yourself. Parts that are accessible during installation may have sharp edges.
- For appliances that have a hinged switch panel, make sure that the switch panel does not hit adjacent kitchen units when you open it.
- The mains socket for the appliance must either be located in the hatched area **A** or outside of the area where the appliance is installed.
- Secure any unsecured units to the wall using a standard bracket **B**.
- The dimensions in the figures are in mm.

### ⚠ Wearers of electronic implants!

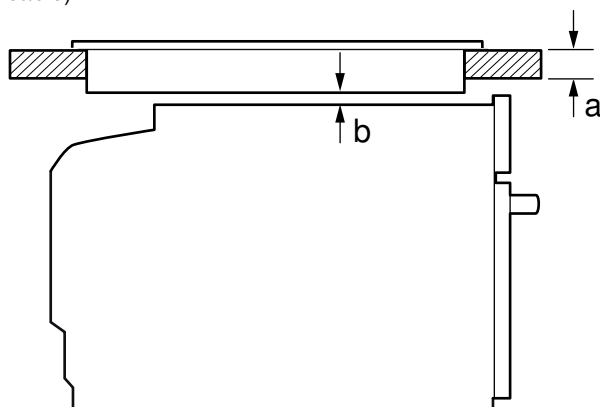
The appliance may contain permanent magnets which may affect electronic implants, e.g. heart pacemakers or insulin pumps. Therefore, during installation, wearers of electronic implants must maintain a minimum distance of 10 cm from the appliance.

### Appliance under worktop – Fig. 2

To ventilate the appliance, the intermediate floor must have a ventilation cut-out.

Secure the worktop to the fitted units.

If the appliance is installed under a hob, the following minimum dimensions must be adhered to (including substructure, if applicable):



Hob type	a	a	b
	Fixed	Flush with surrounding surfaces	
Induction hob	42 mm	43 mm	5 mm
Full-surface induction hob	48 mm	53 mm	5 mm
Gas hob	37 mm	47 mm	5 mm
Electric hob	28 mm	30 mm	2 mm

The minimum worktop thickness **a** results from the minimum required dimension **b**.

Observe the installation instructions for the hob.

### Appliance in a tall unit - Fig. 3

To ventilate the appliance, the intermediate floors must have a ventilation cut-out.

If the tall unit has another back panel in addition to the element back panels, this must be removed.

Only fit the appliance up to a height which allows accessories to be easily removed.

### Corner installation – Fig. 4

To ensure that the appliance door can be opened in a corner installation, take account of dimension **C**. Dimension **D** is dependent on the thickness of the unit front under the handle.

## Connecting the appliance

The appliance corresponds to protection class 1 and must only be operated with a protective earth connection.

The fuse protection must correspond to the power rating specified on the appliance's rating plate and to local regulations.

The appliance must be disconnected from the power supply whenever installation work is being carried out.

The appliance must only be connected with the power cable provided. Connect the power cable to the back of the appliance (listen for the click).

A 3 m power cable can be obtained from the after-sales service.

The power cable must only be replaced with a cable from the original manufacturer, which can be obtained from the after-sales service.

When the appliance is installed, protection must be provided against accidental contact in the future.

### Power cable with a plug with earthing contact

The appliance must only be connected to a properly installed protective contact socket.

If the plug is no longer accessible following installation, an all-pole isolating switch must be present on the installation side with a contact gap of at least 3 mm.

### Power cable without a three-pin earthed plug

The appliance must only be connected by a licensed professional.

The installation must have an all-pole isolating switch with a contact gap of at least 3 mm. Identify the live and neutral

conductors in the mains socket. The appliance may be damaged if it is not connected correctly.

Only connect the hob as shown in the connection diagram. See the rating plate for the voltage. Connect the wires of the mains power cable according to the colour coding: Green/yellow = PE conductor (⊕), blue = neutral conductor, brown = live (external conductor).

### Only in Sweden, Finland and Norway

The appliance can also be connected using the plug provided which has an earthing contact system. This must still be accessible after installation. If this is not the case, an all-pole isolating switch must be used on the installation side with a contact gap of at least 3 mm.

## Securing the appliance – Fig. 5

1. Fully insert the appliance and centre it.
2. Screw the appliance into place.

The gap between the worktop and appliance must not be sealed by additional strips.

Thermal insulation strips must not be fitted to the side panels of the surround unit.

## Removal

1. Disconnect the appliance from the power supply.
2. Undo the securing screws.
3. Lift the appliance slightly and then pull it out completely.