

USE AND CARE GUIDE



THERMADOR PROFESSIONAL® and MASTERPIECE® Convection Warming Drawers
Tiroirs-réchauds à convection PROFESSIONAL® et MASTERPIECE® de THERMADOR
Cajones calentadores de convección PROFESSIONAL® y MASTERPIECE® de THERMADOR

Thermador [®]
REAL INNOVATIONS FOR REAL COOKS[®]

USE AND CARE GUIDE

THERMADOR PROFESSIONAL® and MASTERPIECE® Convection Warming Drawers
Tiroirs-réchauds à convection PROFESSIONAL® et MASTERPIECE® de THERMADOR
Cajones calentadores de convección PROFESSIONAL® y MASTERPIECE® de THERMADOR

**Models/
Modèles/
Modelos:**

WDC30J
WDC36J
WDC30JS
WDC30JP
WDC36JP

Thermador 
REAL INNOVATIONS FOR REAL COOKS®

Congratulations on your recent THERMADOR® purchase! Whether you are a dedicated chef or simply a connoisseur of the art of cooking, owning a THERMADOR kitchen is the ultimate expression of personal style, good taste and an appreciation for the complete culinary experience. Our award-winning products have been empowering culinary enthusiasts for more than eleven decades.

Before you begin using your new THERMADOR product, please take a moment to review the Use and Care Guide. You will find the answers to all of your questions as well as some very important safety information. Pay special attention to the **Important Safety Instructions** located at the beginning of the manual. Your THERMADOR product is ready and waiting to be used for your next gourmet creation!

Our products are handcrafted with the highest quality authentic materials to ensure years of reliable service. In the unlikely event that you have a service question, please have your model and serial numbers of your product available. You can find this information located on the inside, left of the warming drawer.

We realize that you have made a considerable investment in your kitchen. Please feel free to share your THERMADOR kitchen photos and remodeling stories with us. Follow us on Twitter or post your kitchen photos on Facebook. We would love to hear from you!

THERMADOR wishes you many years of creative cooking.

Félicitations pour votre récent achat THERMADOR^{mc}! Que vous soyez un chef enthousiaste ou un simple connaisseur de l'art culinaire, le fait de posséder une cuisine THERMADOR représente l'expression ultime de votre style personnel, de votre bon goût et de votre intérêt à vivre une expérience culinaire complète. Nos produits primés permettent à des adeptes de la bonne bouffe d'atteindre de nouveaux sommets depuis plus de onze décennies.

Avant de commencer à utiliser votre nouveau produit THERMADOR, veuillez prendre un moment pour examiner ce guide d'utilisation et d'entretien. Vous trouverez des réponses à toutes vos questions ainsi que quelques renseignements essentiels en matière de sécurité. Portez une attention particulière aux **Instructions de sécurité importantes** se trouvant au début du guide. Votre produit THERMADOR est prêt et n'attend plus que vous l'utilisiez pour votre prochaine création gastronomique!

Nos produits sont fabriqués à la main avec des matériaux authentiques de haute qualité afin d'assurer des années de service fiable. Dans l'éventualité improbable où vous auriez une question relativement à l'entretien, veuillez avoir à la portée de la main le numéro de série et de modèle de votre produit. Vous pouvez trouver ces renseignements en ouvrant la porte du four et en tirant sur la languette de la plaque de montage situé du côté droit de la cuisinière.

Nous savons bien que vous avez investi une somme considérable dans votre cuisine. N'hésitez pas à partager avec nous les photos de votre cuisine THERMADOR et les anecdotes relatives au remodelage de votre cuisine. Suivez-nous sur Twitter ou affichez des photos de votre cuisine sur Facebook. Nous serions ravis d'avoir de vos nouvelles!

THERMADOR vous souhaite de nombreuses années de gastronomie créative.

Thermador [®]
REAL INNOVATIONS FOR REAL COOKS[®]

¡Enhorabuena por la reciente compra de su THERMADOR®! Que Usted sea un gran jefe de cocina o un simple aficionado del arte culinario, el hecho de poseer una cocina THERMADOR es la última expresión de su estilo personal, de su buen gusto y de su apreciación de una experiencia culinaria completa. Nuestros premiados productos permiten al entusiasta de la cocina explorar este mundo desde hace más de once décadas.

Antes de comenzar a utilizar su nuevo producto THERMADOR, tómese un momento para echar un vistazo a este manual de uso y mantenimiento. Encontrará respuestas a todas sus preguntas además de informaciones esenciales en materia de seguridad. Ponga especial atención a las **Instrucciones de seguridad importantes**, situadas al principio del manual. ¡Su producto THERMADOR está listo y solo espera a que Usted lo use para su próxima creación gastronómica!

Nuestros productos se fabrican a mano con materiales auténticos de alta calidad a fin de garantizar años de servicio fiable. En el caso improbable en que Usted tenga una pregunta relativa al mantenimiento, tenga a mano el número de serie y el modelo de su producto. Puede encontrar esa información abriendo la puerta de la hornilla y tirando de la lengüeta de la placa de montaje para ver la etiqueta situada al lado derecho de la estufa.

Nos damos cuenta de que Usted invirtió una suma considerable en su cocina. No dude en compartir con nosotros las fotos de su cocina THERMADOR y anécdotas acerca de la reforma de su cocina. Síguenos en Twitter o publique fotos de su cocina en Facebook. ¡Estaremos encantados de tener noticias tuyas!

¡THERMADOR le desea varios años de gastronomía creativa!

Thermador  [®]
REAL INNOVATIONS FOR REAL COOKS [®]

Table of Contents

Safety	1
Getting Started	3
Parts Identification	3
Operation	4
About the Appliance	4
General Information	4
Features	4
Operation	4
Temperature Setting Recommendations	5
Cleaning	6
Service	7
Statement of Warranty	8
Customer Support, Accessories & Parts	back page

Safety Definitions

 WARNING

This indicates that death or serious injuries may occur as a result of non-observance of this warning.

 CAUTION

This indicates that minor or moderate injuries may occur as a result of non-observance of this warning.

NOTICE: This indicates that damage to the appliance or property may occur as a result of non-compliance with this advisory.

Note: This alerts you to important information and/or tips.

This THERMADOR® appliance is made by
BSH Home Appliances Corporation
1901 Main Street, Suite 600
Irvine, CA 92614

Questions?
1-800-735-4328
www.thermador.com

We look forward to hearing from you!

Safety



IMPORTANT SAFETY INSTRUCTIONS READ AND SAVE THESE INSTRUCTIONS

Proper Installation and Maintenance

WARNING

When properly cared for, your new appliance has been designed to be safe and reliable. Read all instructions carefully before use. These precautions will reduce the risk of burns, electric shock, fire and injury to persons. When using kitchen appliances, basic safety precautions must be followed, including those in the following pages.

WARNING

State of California Proposition 65 Warnings:

This product contains chemicals known to the State of California to cause cancer, birth defects or other reproductive harm.

Have the installer show you the location of the circuit breaker. Mark it for easy reference.

This appliance must be properly installed and grounded by a qualified technician. Connect only to a properly grounded outlet. Refer to the *Installation Manual* for details.

This appliance is intended for normal family household use only. **It is not approved for outdoor use.** See “STATEMENT OF LIMITED PRODUCT WARRANTY” on page 8. If you have any questions, contact THERMADOR®.

Do not store or use corrosive chemicals, vapors, flammables or nonfood products in or near this appliance. It is specifically designed for use when heating or cooking food. The use of corrosive chemicals in heating or cleaning will damage the appliance and could result in injury.

Do not operate this appliance if it is not working properly, or if it has been damaged. Contact an authorized servicer.

Do not repair or replace any part of the appliance unless specifically recommended in this manual. Refer all servicing to a factory authorized service center.

Fire Safety

Do not use aluminum foil or protective liners to line any part of the appliance. Installing these liners may result in risk of electric shock or fire.

If materials inside a warming drawer should ignite, keep door closed. Turn off the appliance, and disconnect the circuit at the circuit breaker box.

Use this appliance only for its intended purpose as described in this manual. For example, never use the appliance for warming or heating the room. Never use the appliance for storage.

Always have a working smoke detector near the kitchen.

In the event that personal clothing or hair catches fire, drop and roll immediately to extinguish flames.

Smother flames from food fires other than grease fires with baking soda. Never use water on cooking fires.

Burn Prevention

Exercise caution when opening the appliance. Standing to the side, open the door slowly and slightly to let hot air and/or steam escape. Keep your face clear of the opening and make sure there are no children or pets near the unit. After the release of hot air and/or steam, proceed with your cooking. Keep doors shut unless necessary for cooking or cleaning purposes. Do not leave open doors unattended.

Do not touch interior surface of the drawer while it is in use. The interior of the drawer could become hot enough to cause burns. Allow drawer to cool before handling.

CAUTION

To prevent burns, do not remove drawer while hot. Be sure drawer is empty before removing.

Do not heat or warm unopened food containers. Build-up of pressure may cause the container to burst and cause injury.



IMPORTANT SAFETY INSTRUCTIONS

READ AND SAVE THESE INSTRUCTIONS

Always use dry potholders. Moist or damp potholders on hot surfaces may result in burns from steam. Do not let potholder touch hot heating elements. Do not use a towel or other bulky cloth.

Secure all loose garments, etc. before beginning. Tie long hair so that it does not hang loose, and do not wear loose fitting clothing or hanging garments, such as ties, scarves, jewelry, or dangling sleeves.

Child Safety

When children become old enough to use the appliance, it is the legal responsibility of the parents or legal guardians to ensure that they are instructed in safe operation of the appliance by qualified persons.

Do not allow anyone to climb, stand, lean, sit, or hang on any part of an appliance, especially a door, warming drawer or storage drawer. This can damage the appliance, and the unit may tip over, potentially causing severe injury.

Do not allow children to use this appliance unless closely supervised by an adult. Children and pets should not be left alone or unattended in the area where the appliance is in use. They should never be allowed to play in its vicinity, whether or not the appliance is in use.

CAUTION

Items of interest to children should not be stored in an appliance, in cabinets above an appliance. Children climbing on an appliance to reach items could be seriously injured.

Food Safety

CAUTION

To maintain food safety, follow these guidelines:

1. **DO NOT** use the warming drawer to heat cold food (exception: it is safe to use the drawer to crisp crackers, chips or dry cereal and to warm plates).
2. Be sure to maintain proper food temperature. The USDA recommends holding hot food at 140°F or warmer. The LOW setting of the warming drawer will not hold spoilable foods at 140°F (60°C).
3. **DO NOT** warm food for longer than one hour.

Cookware Safety

CAUTION

Plastic containers or plastic wrap can melt if in direct contact with the drawer or a hot utensil. If it melts onto the drawer, it may not be removable.

WARNING

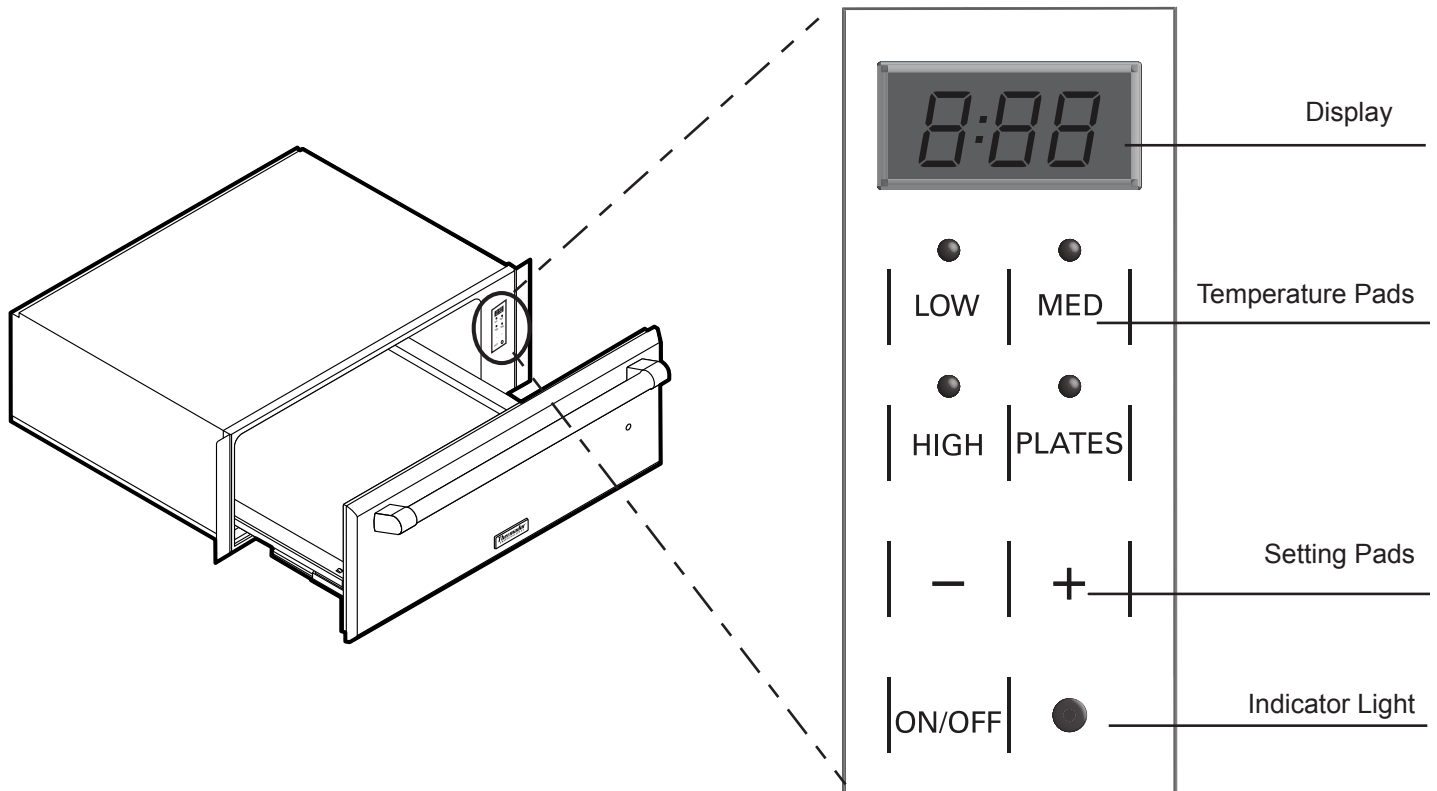
DO NOT store flammable materials in the warming drawer. This includes paper, plastic or cloth items, such as cookbooks and towels, as well as flammable liquids.

DO NOT use the warming drawer to heat towels.

DO NOT store explosives, such as aerosol cans, in or near the drawer. Flammable materials may explode and result in fire or property damage.

Getting Started

Control Panel Identification



ON/OFF Pad

Use this pad to switch the warming drawer ON and OFF.

Indicator Light

The indicator light turns on when the drawer is in use.

Beep

The control panel beeps to confirm an entry. The warming timer beeps when the time has elapsed.

The warming drawer beeps after LOW, MED, or HIGH has completed preheat, to indicate that the appliance is ready for use.

Setting Pads

(-) decreases and (+) increases time.

Temperature Pads

The temperature pads control the temperature of the drawer bottom. When a warming mode is selected, the blue indicator light for that mode illuminates.

Settings

LOW

MED

HIGH

PLATES

Operation

About the Appliance

The warming drawer will keep hot, cooked foods at serving temperature. Always start with hot food. DO NOT use to heat cold food other than crisping crackers, chips, dry cereal or warming dishes or plates.

General Information

Power Requirements and Grounding

Circuit Specifications: 120V, 15A, 60Hz, 3-wire, grounded outlet. The outlet must be properly grounded in accordance with all applicable codes.

It is the responsibility of the installer to comply with local codes. If no local codes are applicable, wire in accordance with the National Electrical Code, ANSI/NFPA 70 - latest edition.

Features

Warming Timer

The warming timer can be set for any increment of 5 minutes. The minimum time is 5 minutes and the maximum is 5 hours. The warming timer default is 1 hour. When the time is elapsed, the warming timer beeps and the drawer automatically turns off.

Changing the Warming Timer:

Use the + and - pads to change the warming timer.

CAUTION

DO NOT use plastic wrap to cover foods or plastic containers in the warming drawer. Plastic containers or plastic wrap can melt if in direct contact with the drawer or a hot utensil. If it melts onto the drawer, it may not be removable.

WARNING

DO NOT use aluminum foil or protective liners to line any part of the appliance. Installation of these liners may result in a risk of electric shock or fire.

Residual Heat Indicator

After switching the warming drawer off, heat is indicated by the letter H ("hot") in the display. The Residual Heat Indicator will go out only after sufficient cooling down of the warming drawer.

CAUTION

While the Residual Heat Indicator is illuminated the warming drawer is hot and there is a risk of burns.

Operation

Before using, clean the drawer thoroughly with hot, soapy water. There may be some burn-off and odors on first use of the appliance—this is normal.

Use heat-safe dishes only.

Preheating the Warming Drawer

Preheat the warming drawer when keeping food warm. For best results, preheat for the following times:

LOW: 6 minutes

MED: 12 minutes

HIGH: 20 minutes

PLATES: Do not preheat the drawer.

The warming drawer will deliver a set of beeps once preheating is complete.

Disabling the Convection Heater

The stand alone warming drawer is programmed to use a convection heater during preheat for faster heating time. If the user chooses not to use the blower while preheating the warming drawer (for instance, if there is concern about the blower drying out the food), the convection heater can be disabled during preheat.

1. Press and hold the desired mode button (LOW, MED, or HIGH) for 3 seconds.
- The light over the mode button will blink during preheating and the convection fan will not operate.

There is no convection heater override for PLATES mode.

Keeping Food Warm

1. Press the pad for the desired temperature setting.
2. Set the warming timer.
3. After preheating, place cooked, hot food in the drawer.

It is okay to leave food in the cookware it was prepared in. Alternatively, you can transfer food to a heat-safe serving dish before placing it in the warming drawer.

Aluminum foil may be used to cover food.

Warming Plates and Bowls

CAUTION

DO NOT place cold plates in an already heated warming drawer. Placing a cold dish into a hot environment can cause the glass to expand rapidly, which may result in the cookware breaking.

CAUTION

Plates can get hot. Use a pot holder to remove plates from the warming drawer.

1. Place plates and bowls in warming drawer.
2. Press PLATES.
-- Allow the cookware to heat up slowly as the warming drawer heats.
3. Set the warming timer.

Crisping Stale Items

Place food in low-sided dishes or pans.

1. Press LOW.
2. Preheat, then place dish in drawer.
3. Set the warming timer.
4. Check crispness after 45 minutes. Add time as needed.

CAUTION

To maintain food safety, do not leave food in the warming drawer for more than one hour before or after cooking.

Sabbath Mode

The Sabbath Feature enables those of particular faiths to use their warming drawers on the Sabbath.

- The warming drawer is set to run for 74 hours before automatically turning off.
- While operating in Sabbath Mode, the display will show SAb.
- The warming timer cannot be changed once the Sabbath Mode is set.

- Only the MED mode can be use while in the Sabbath mode. Once the Sabbath mode is set, all buttons are disabled except the On/Off button, used to cancel the mode.

Setting the Sabbath Feature

1. Press and hold the PLATES button for three seconds.
2. Press ON/OFF at any time during Sabbath mode to end the mode and turn off the appliance.

Temperature Setting Recommendations

Food/Cookware	Level
Bacon ⁺	HIGH
Beef: medium-rare, medium, and well done ⁺	LOW
Bread, quick: hard rolls, soft rolls, coffee cakes, biscuits, toast ⁺	MED
Casseroles ⁺	MED
Cereal, cooked ⁺	MED
Crisping: stale items	LOW
Dough (to proof), cover ^{**}	LOW
Waffles or pancakes [*]	HIGH
Egg: hard-cooked, scrambled ⁺	MED
Fish: seafood ⁺	MED
Fried foods ⁺	HIGH
Gravy, cream sauces ⁺	MED
Ham, Lamb, and Pork ⁺	MED
Pie crusts	MED
Pizza [*]	HIGH
Potatoes, baked ⁺	HIGH
Potatoes, mashed ⁺	MED
Poultry, roasted ⁺	MED
Vegetables ⁺	MED
Plates	PLATES
Plate of food ⁺	MED

* Preheat cookware

** Cover food

+ Preheat cookware & cover food

Cleaning

Your warming drawer must be kept clean and maintained properly in order to function as it should. Make sure all controls are OFF and the appliance is cool before cleaning.

Brand Names

The use of brand names is intended only to indicate a type of cleaner. This does not constitute an endorsement. The omission of any brand name cleaner does not imply its adequacy or inadequacy. Many products are regional in distribution and can be found in local markets. It is imperative that every cleaning product be used in strict accordance with the instructions on its package. The following chart gives directions for cleaning this appliance.

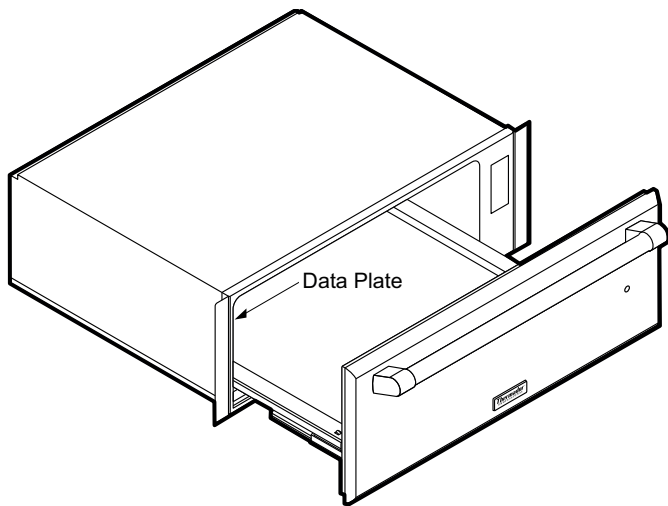
Part	Recommendations
Drawer interior (polished stainless steel)	<ul style="list-style-type: none">• Use dish detergent. Wash, rinse well and dry. For hard water spots or scale, use white vinegar. Apply with a sponge or cloth, rinse, and dry.• Heat discoloration/corrosion: Clean with Bar Keeper's Friend® cleaner sprinkled on a wet sponge or wet cloth and apply to the wet stainless steel surface. Rub gently and evenly. Rinse and dry.
Drawer glass	<ul style="list-style-type: none">• Use hot soapy water or mild cleaners such as Fantastik® cleaner or Formula 409® cleaner. Wash, rinse well and dry. Avoid using abrasive cleaning agents, steel wool pads and oven cleaners.
Drawer exterior frame (brushed stainless steel)	<ul style="list-style-type: none">• Always wipe or rub in the direction of the grain. Clean with a soapy sponge, then rinse and dry, or wipe with Fantastik® cleaner or Formula 409® cleaner sprayed on a paper towel. Protect and polish with Stainless Steel Magic® cleaner and a soft cloth. Remove water spots with a cloth dampened with white vinegar. Use Bar Keeper's Friend® cleaner to remove heat discoloration.• Protect and polish with Stainless Steel Magic® cleaner and a soft cloth. Remove water spots with a cloth dampened with white vinegar.• DO NOT use any cleaning agent with chlorine or chlorine compounds on stainless steel finish. Chlorine and chlorine compounds are corrosive to stainless steel.
Warming Drawer Control	<ul style="list-style-type: none">• Clean with hot soapy water or apply Fantastik® cleaner or Formula 409® cleaner to a clean sponge or paper towel and wipe clean. Avoid using abrasive cleaners and scrubbing pads.

Service

To reach a service representative, see the contact information at the back of the manual. Please be prepared with the information printed on your product data plate when calling.

Data Plate

The data plate shows the model and FD number. Refer to the data plate on the appliance when requesting service. The data plate is visible on the left side of the drawer casing.



Service Information

For handy reference, fill in the information below from the data plate located on the inside, left of the warming drawer. Keep your invoice for Warranty validation.

Model Number: _____

Serial Number: _____

FD Number: _____

Date of Purchase: _____

Also, enter this information on the Product Registration Form included with this product.

Register your THERMADOR product to ensure timely service and access to your product related information. You may register your product through one of the following ways:

1. Mail in the completed THERMADOR product registration card.
2. Register online at www.thermador.com.
3. Call THERMADOR customer support at 1-800-735-4328.

STATEMENT OF LIMITED PRODUCT WARRANTY

What this Warranty Covers & Who it Applies to:

The limited warranty provided by BSH Home Appliances Corporation (BSH) in this Statement of Limited Product Warranty applies only to the BSH appliance sold to you, the first using purchaser, provided that the Product was purchased:

- For your normal, household (non-commercial) use, and has in fact at all times only been used for normal household purposes.
- New at retail (not a display, “as is”, or previously returned model), and not for resale, or commercial use.
- Within the United States or Canada, and has at all times remained within the country of original purchase.

The warranties stated herein apply only to the first purchaser of the Product and are not transferable.

Please make sure to return your registration card; while not necessary to effectuate warranty coverage, it is the best way for BSH to notify you in the unlikely event of a safety notice or product recall.

How Long the Warranty Lasts

Product built preceding January 1, 2012 with a number of FD911299999 or lower: BSH warrants that the Product is free from defects in materials and workmanship for a period of three hundred and sixty-five (365) days from the date of purchase. The foregoing timeline begins to run upon the date of purchase, and shall not be stalled, tolled, extended, or suspended, for any reason whatsoever.

Product built subsequent to January 1, 2012 with a number of FD920100000 or higher: BSH warrants that the Product is free from defects in materials and workmanship for a period of seven hundred and thirty (730) days from the date of purchase. The foregoing timeline begins to run upon the date of purchase, and shall not be stalled, tolled, extended, or suspended, for any reason whatsoever.

Repair/Replace as Your Exclusive Remedy

During this warranty period, BSH or one of its authorized service providers will repair your Product without charge to you (subject to certain limitations stated herein) if your Product proves to have been manufactured with a defect in materials or workmanship. If reasonable attempts to repair the Product have been made without success, then BSH

will replace your Product (upgraded models may be available to you, in sole discretion of BSH, for an additional charge). All removed parts and components shall become the property of BSH at its sole option. All replaced and/or repaired parts shall assume the identity of the original part for purposes of this warranty and this warranty shall not be extended with respect to such parts. The sole liability of BSH and responsibility hereunder is to repair manufacturer-defective Product only, using an authorized service provider by BSH during normal business hours. For safety and property damage concerns, BSH highly recommends that you do not attempt to repair the Product yourself, or use an un-authorized servicer; BSH will have no responsibility or liability for repairs or work performed by a non-authorized servicer. If you choose to have someone other than an authorized service provider work on your Product, THIS WARRANTY WILL AUTOMATICALLY BECOME NULL AND VOID. Authorized service providers are those persons or companies that have been specially trained on products by BSH, and who possess, in the opinion of BSH, a superior reputation for customer service and technical ability (note that they are independent entities and are not agents, partners, affiliates or representatives of BSH). Notwithstanding the foregoing, BSH will not incur any liability, or have responsibility, for the Product if it is located in a remote area (more than 100 miles from an authorized service provider) or is reasonably inaccessible, hazardous, threatening, or treacherous locale, surroundings, or environment; in any such event, if you request, BSH would still pay for labor and parts and ship the parts to the nearest authorized service provider, but you would still be fully liable and responsible for any travel time or other special charges by the service company, assuming they agree to make the service call.

Out of Warranty Product

BSH is under no obligation, at law or otherwise, to provide you with any concessions, including repairs, pro-rates, or Product replacement, once this warranty has expired.

Warranty Exclusions

The warranty coverage described herein excludes all defects or damage that are not the direct fault of BSH, including without limitation, one or more of the following:

- Use of the Product in anything other than its normal, customary and intended manner (including without limitation, any form of commercial use, use or storage of an indoor product outdoors, use of the Product in conjunction with air or water-going vessels).

- Any party's willful misconduct, negligence, misuse, abuse, accidents, neglect, improper operation, failure to maintain, improper or negligent installation, tampering, failure to follow operating instructions, mishandling, unauthorized service (including self-performed "fixing" or exploration of the appliance's internal workings).
- Adjustment, alteration or modification of any kind.
- A failure to comply with any applicable state, local, city, or county electrical, plumbing and/or building codes, regulations, or laws, including failure to install the product in strict conformity with local fire and building codes and regulations.
- Ordinary wear and tear, spills of food, liquid, grease accumulations, or other substances that accumulate on, in, or around the Product.
- Any external, elemental and/or environmental forces and factors, including without limitation, rain, wind, sand, floods, fires, mud slides, freezing temperatures, excessive moisture or extended exposure to humidity, lightning, power surges, structural failures surrounding the appliance, and acts of God.

In no event shall BSH have any liability or responsibility whatsoever for damage to surrounding property, including cabinetry, floors, ceilings, and other structures or objects around the Product. Also excluded from this warranty are scratches, nicks, minor dents, and cosmetic damages on external surfaces and exposed parts; Products on which the serial numbers have been altered, defaced, or removed; service visits to teach you how to use the Product, or visits where there is nothing wrong with the Product; correction of installation problems (you are solely responsible for any structure and setting for the Product, including all electrical, plumbing or other connecting facilities, for proper foundation/flooring, and for any alterations including without limitation cabinetry, walls, floors, shelving, etc.); and resetting of breakers or fuses.

TO THE EXTENT ALLOWED BY LAW, THIS WARRANTY SETS OUT YOUR EXCLUSIVE REMEDIES WITH RESPECT TO PRODUCT, WHETHER THE CLAIM ARISES IN CONTRACT OR TORT (INCLUDING STRICT LIABILITY, OR NEGLIGENCE) OR OTHERWISE. THIS WARRANTY IS IN LIEU OF ALL OTHER WARRANTIES, WHETHER EXPRESS OR IMPLIED. ANY WARRANTY IMPLIED BY LAW, WHETHER FOR MERCHANTABILITY OR FITNESS FOR A PARTICULAR PURPOSE, OR OTHERWISE, SHALL BE EFFECTIVE ONLY FOR THE PERIOD THAT THIS EXPRESS LIMITED WARRANTY IS EFFECTIVE. IN NO EVENT WILL THE MANUFACTURER BE LIABLE FOR CONSEQUENTIAL, SPECIAL, INCIDENTAL, INDIRECT, "BUSINESS LOSS", AND/OR PUNITIVE DAMAGES, LOSSES, OR EXPENSES, INCLUDING WITHOUT LIMITATION TIME AWAY FROM WORK, HOTELS AND/OR RESTAURANT MEALS, REMODELLING EXPENSES IN EXCESS OF DIRECT DAMAGES WHICH ARE DEFINITELY CAUSED EXCLUSIVELY BY BSH, OR OTHERWISE SOME STATES DO NOT ALLOW THE EXCLUSION OR LIMITATION OF INCIDENTAL OR CONSEQUENTIAL DAMAGES, AND SOME STATES DO NOT ALLOW LIMITATIONS ON HOW LONG AN IMPLIED WARRANTY LASTS, SO THE ABOVE LIMITATIONS MAY NOT APPLY TO YOU. THIS WARRANTY GIVES YOU SPECIFIC LEGAL RIGHTS, AND YOU MAY ALSO HAVE OTHER RIGHTS WHICH VARY FROM STATE TO STATE.

No attempt to alter, modify or amend this warranty shall be effective unless authorized in writing by an officer of BSH.

Table des matières

Sécurité	1
Par où commencer	3
Identification des pièces	3
Fonctionnement	4
À propos de l'appareil	4
Renseignements généraux	4
Caractéristiques	4
Fonctionnement	4
Recommandations concernant les réglages de température	5
Nettoyage	6
Entretien	7
Énoncé de garantie	8

Définitions concernant la sécurité

 AVERTISSEMENT

Ceci indique que le non respect de cet avertissement peut entraîner des blessures graves, voire la mort.

 ATTENTION

Ceci indique que le non respect de cet avertissement peut entraîner des blessures légères ou modérées.

AVIS : Ceci indique que la non-conformité à cet avis de sécurité peut entraîner des dégâts à l'appareil ou à la propriété.

Note : Ceci vous avertit que d'importantes informations et/ou conseils sont fournis.

Cet appareil électroménager de THERMADOR^{mc}
est fait par BSH Home Appliances Ltd
6696 Financial Drive, Unit 3
Mississauga, ON L5N 7J6

Des questions?

1-800-735-4328

www.thermador.ca

Nous attendons de vos nouvelles!

Sécurité



CONSIGNES DE SÉCURITÉ IMPORTANTES LISEZ ET CONSERVEZ CES INSTRUCTIONS

Installation et entretien adéquats

AVERTISSEMENT

Votre nouvel appareil est conçu pour être fiable et sécuritaire lorsque vous l'utilisez convenablement. Lisez toutes les instructions attentivement avant de l'utiliser. Ces précautions réduiront les risques de brûlures, de décharges électriques et de lésions corporelles. Lors de l'utilisation d'électroménagers de cuisine, certaines consignes de sécurité de base doivent être suivies, y compris celles apparaissant dans le présent guide.

AVERTISSEMENT

Avertissements de la Proposition 65 de l'État de la Californie :

Ce produit contient des produits chimiques connus de l'État de la Californie pour causer le cancer, des anomalies congénitales ou d'autres problèmes de reproduction.

Demandez à l'installateur de vous montrer l'emplacement du disjoncteur. Marquez-le pour qu'il soit facile à identifier.

L'appareil doit être adéquatement installé et mis à la terre par un technicien qualifié. Ne le branchez qu'à une alimentation électrique avec une mise à la terre adéquate. Consultez le manuel d'installation pour de plus amples détails.

Cet appareil n'est conçu que pour une utilisation ménagère normale. Il n'est pas approuvé pour une utilisation à l'extérieur. Consultez la section s'intitulant « *ÉNONCÉ DE GARANTIE LIMITÉE DU PRODUIT* » à la page 8. Si vous avez des questions, communiquez avec THERMADOR®.

N'entrez pas et n'utilisez pas des gaz et des produits chimiques, des produits inflammables ou non alimentaires dans cet appareil ou à proximité de cet appareil. Il est spécifiquement conçu pour chauffer ou faire cuire des aliments. L'utilisation de produits corrosifs lors du fonctionnement ou du nettoyage endommagera l'appareil et pourrait provoquer une blessure corporelle.

N'utilisez pas cet appareil s'il ne fonctionne pas correctement ou s'il a été endommagé. Communiquez avec une agence autorisée.

Ne réparez et ne remplacez aucune pièce de l'appareil à moins que le manuel ne recommande expressément de le faire. Confiez toutes les réparations à une agence autorisée du fabricant.

Sécurité – Incendie

N'utilisez jamais du papier d'aluminium pour protéger le tiroir-réchaud. Cela peut l'endommager et causer un risque d'incendie ou de décharge électrique.

Si des matières prennent feu dans un tiroir-réchaud, fermez la porte. Éteignez l'appareil et débranchez le circuit sur le disjoncteur.

Utilisez cet appareil seulement pour faire ce qui est décrit dans le présent manuel. Par exemple, ne l'utilisez jamais pour chauffer une pièce ou pour entreposer quoi que ce soit.

Assurez-vous qu'il y a un détecteur de fumée fonctionnel près de la cuisine.

Si vos vêtements ou vos cheveux prennent feu, jetez-vous immédiatement par terre et roulez pour éteindre les flammes.

Étouffez les flammes provenant d'aliments en feu, autre que les feux de friture, avec du bicarbonate de soude. N'utilisez jamais de l'eau pour éteindre des aliments en feu.

Prévention de brûlure

Soyez prudent lorsque vous ouvrez l'appareil. Tenez-vous sur le côté, entrouvrez la porte lentement pour laisser la vapeur ou l'air chaud s'échapper. Gardez votre visage à l'écart de l'ouverture et assurez-vous qu'aucun enfant ou animal ne se trouve près de l'appareil. Une fois que la vapeur ou l'air chaud s'est échappé, placez-y les aliments. Gardez les portes fermées à moins que cela soit nécessaire pour cuisiner ou pour nettoyer l'appareil. Ne laissez pas de portes ouvertes sans surveillance.



CONSIGNES DE SÉCURITÉ IMPORTANTES

LISEZ ET CONSERVEZ CES INSTRUCTIONS

Ne réchauffez pas de contenants de nourriture qui n'ont pas encore été ouverts. La pression accumulée pourrait faire exploser le contenant et causer des blessures corporelles.

N'utilisez que des poignées et mitaines sèches : la vapeur qui se dégage de poignées et de mitaines mouillées ou humides posées sur des surfaces chaudes peut provoquer des blessures. Ne laissez pas de poignées ou de mitaines toucher des grilles de brûleurs, des brûleurs à infrarouge ou des brûleurs chauds. N'utilisez pas de serviettes ni de chiffons volumineux.

Ne touchez pas l'intérieur du tiroir lorsqu'il est en cours d'utilisation. L'intérieur du tiroir peut devenir assez chaud pour causer des brûlures. Laissez le tiroir refroidir avant de le manipuler.

ATTENTION

Pour prévenir les risques de brûlure, n'enlevez pas le tiroir lorsqu'il est chaud. Assurez-vous qu'il est vide avant de le retirer

Attachez tous vos vêtements amples, etc. avant d'utiliser l'appareil. Attachez aussi vos cheveux et ne portez pas de vêtements ou d'articles qui pendent librement, comme une cravate, un foulard, un bijou ou de longues manches.

Sécurité des enfants

Lorsque les enfants sont assez âgés pour utiliser l'appareil, il est de la responsabilité légale des parents ou des tuteurs de veiller à ce que des personnes qualifiées leur enseignent des pratiques sécuritaires.

ATTENTION

Ne rangez pas d'objets attirant l'attention d'enfants dans un appareil, derrière un appareil ou dans des armoires situées au-dessus d'un appareil. Ils risqueraient d'y monter pour s'en emparer et pourraient se blesser gravement.

Ne laissez personne grimper, monter, s'asseoir ou s'appuyer sur l'une ou l'autre des parties de l'appareil, particulièrement sur la porte, le tiroir-réchaud ou un tiroir de rangement. Cela pourrait endommager l'appareil ou le faire basculer et blesser gravement quelqu'un.

Ne permettez pas que des enfants utilisent cet appareil à moins qu'ils ne le fassent sous la supervision étroite d'un adulte. Les enfants et les animaux ne devraient PAS être

laissés sans surveillance près de l'appareil lorsque celui-ci est en cours d'utilisation. Ils ne devraient jamais être autorisés à jouer près de l'appareil, qu'il soit en cours d'utilisation ou non.

Salubrité alimentaire

ATTENTION

Pour des raisons de salubrité alimentaire, veuillez suivre les directives suivantes:

1. N'utilisez PAS le tiroir-réchaud pour réchauffer des aliments froids (exception : il est sécuritaire d'utiliser le tiroir pour faire chauffer des craquelins, des croustilles ou des céréales sèches, et pour réchauffer des assiettes).
2. Assurez-vous de maintenir les aliments à une température adéquate. L'USDA recommande de conserver les aliments au chaud à une température minimale de 140 °F. Le réglage LOW du tiroir-réchaud ne conserve pas les aliments périssables à une température de 140 °F (60 °C).
3. NE faites PAS réchauffer des aliments durant plus d'une heure.

Sécurité - Contenants

ATTENTION

Les contenants ou emballages de plastique peuvent fondre s'ils sont en contact direct avec le tiroir ou un ustensile chaud. S'ils fondent dans le tiroir, il vous sera peut-être impossible de les enlever.

AVERTISSEMENT

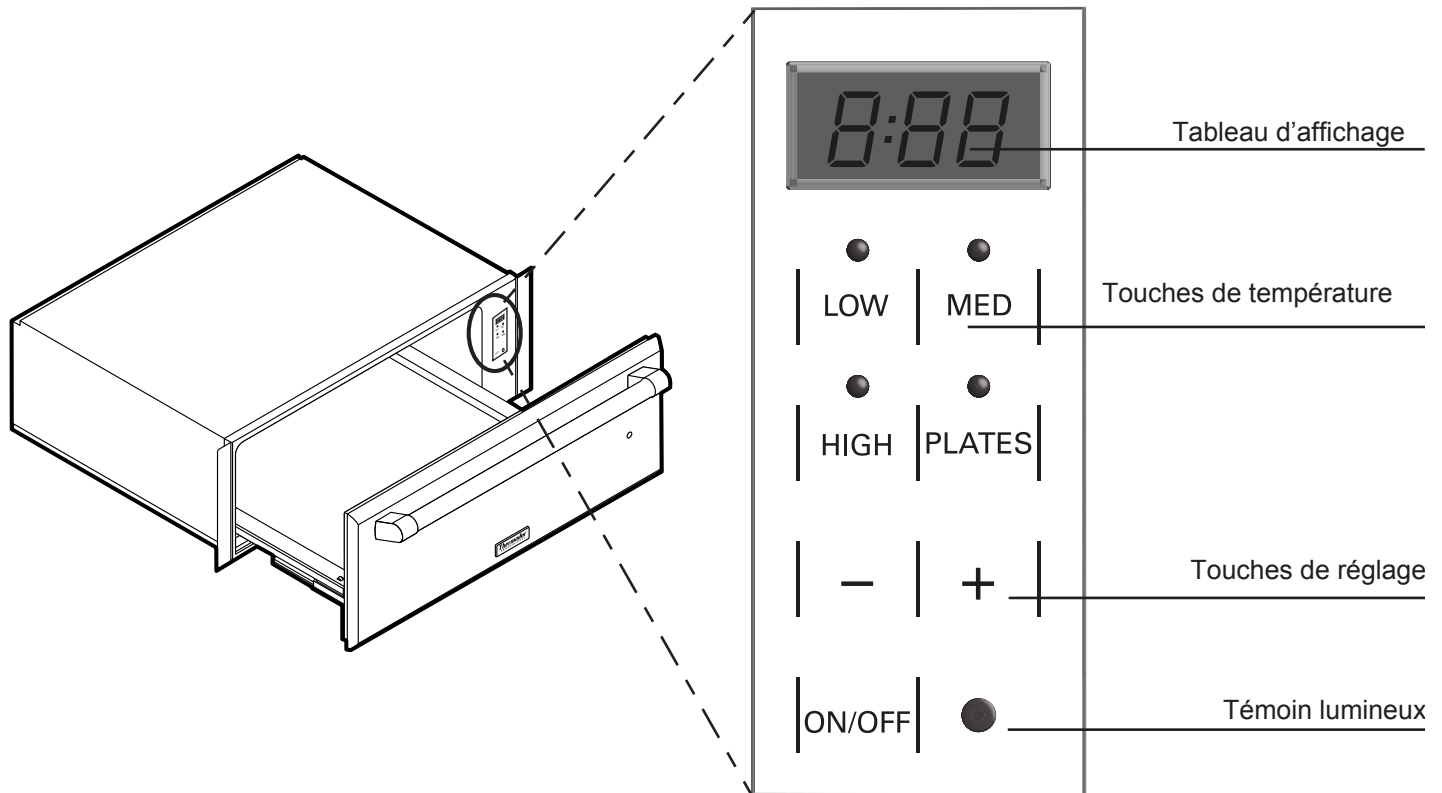
N'entrez PAS de matières inflammables dans le tiroir-réchaud, y compris du papier, du plastique ou des articles de tissu, comme des livres de cuisine et des serviettes, et des liquides inflammables.

N'utilisez PAS le tiroir-réchaud pour faire chauffer des serviettes.

N'entrez PAS d'explosifs, comme des aérosols, dans le tiroir ou près de celui-ci. Les matières inflammables peuvent exploser et provoquer un incendie ou des dommages matériels.

Par où commencer

Identification des pièces



Touche ON/OFF

Utilisez cette touche pour allumer (ON) et éteindre (OFF) le tiroir-réchaud.

Témoin lumineux

Le témoin lumineux s'allume lorsque le tiroir est en cours d'utilisation.

Signal sonore

Le tableau de commande émet un signal sonore pour confirmer l'activation d'une commande. La minuterie émet un signal sonore lorsque le temps sélectionné s'est écoulé.

L'appareil émet un signal sonore lorsqu'il atteint la température de préchauffage correspondant à LOW, MED ou HIGH pour indiquer qu'il est prêt à être utilisé.

Touches de réglage

(-) diminue le temps et (+) l'augmente.

Touches de température

Les touches de température contrôlent la température de la plaque de fond du tiroir. Lorsqu'un mode de chauffage est choisi, le témoin lumineux bleu de ce mode s'allume.

Touches de réglage

LOW

MED

HIGH

PLATES

Fonctionnement

À propos de l'appareil

Le tiroir-réchaud permet de conserver des aliments cuits et chauds à une température de service. Mettez-y toujours des aliments chauds. N'utilisez PAS le tiroir-réchaud pour réchauffer des aliments froids autres que des craquelins, des croustilles et des céréales sèches ou pour réchauffer des plats ou des mets.

Renseignements généraux

Exigences électriques et de mise à la terre

Caractéristiques du circuit : 120 V, 15 A, 60 Hz, prise triphasée avec mise à la terre. La prise doit être mise à la terre conformément à tous les codes en vigueur.

Il est de la responsabilité de l'installateur de s'assurer de la conformité de l'installation avec tous les codes locaux. Si aucun code local ne s'applique, l'installateur doit effectuer le branchement conformément au Code national de l'électricité ANSI/NFPA 70 – dernière édition.

Caractéristiques

Minuterie

La minuterie peut être réglée par tranches de 5 minutes. Le temps minimal est de 5 minutes et le temps maximal est de 5 heures. Le réglage par défaut de la minuterie est d'une heure. Lorsque le temps s'est écoulé, la minuterie émet un signal sonore et le tiroir s'éteint automatiquement.

Changement du temps de la minuterie :

Utilisez les touches + et – pour changer le temps de la minuterie.

ATTENTION

N'utilisez PAS de pellicule plastique pour couvrir des aliments ou des contenants de plastique dans le tiroir-réchaud. Les contenants ou emballages de plastique peuvent fondre s'ils sont en contact direct avec le tiroir ou un ustensile chaud. S'ils fondent dans le tiroir, il vous sera peut-être impossible de les enlever.

AVERTISSEMENT

N'utilisez jamais du papier d'aluminium pour protéger le tiroir-réchaud. Cela peut l'endommager et causer un risque d'incendie ou de décharge électrique.

Indicateur de chaleur résiduelle

Après avoir éteint le tiroir chauffant, la lettre H (pour " Hot ") demeure à l'écran pendant que l'appareil est encore chaud. Cet indicateur de chaleur résiduelle ne disparaît que lorsque le tiroir chauffant s'est suffisamment refroidi.

ATTENTION

Lorsque l'indicateur de chaleur résiduelle est allumé, le tiroir chauffant est encore chaud et présente des risques de brûlure.

Fonctionnement

Avant d'utiliser le tiroir-réchaud, nettoyez-le en profondeur avec de l'eau chaude savonneuse. Certaines odeurs peuvent se dégager de l'appareil lors de la première utilisation – cela est normal.

N'utilisez que des plats qui résistent à la chaleur.

Préchauffage du tiroir-réchaud

Préchauffez le tiroir-réchaud avant d'y conserver des aliments chauds. Pour de meilleurs résultats, préchauffez le tiroir pendant un certain temps, comme indiqué ci-dessous :

LOW (bas) : 6 minutes

MED (moyen) : 12 minutes

HIGH (haut) : 20 minutes

PLATES : Ne faites pas préchauffer le tiroir-réchaud.

L'appareil émet un signal sonore de plusieurs bips lorsque le préchauffage est terminé.

Désactivation du chauffage par convection

Pour un préchauffage plus rapide, le tiroir-réchaud autonome est programmé pour utiliser le chauffage par convection. Si l'utilisateur choisit de ne pas utiliser le ventilateur à convection pendant le préchauffage du tiroir-réchaud (par exemple, pour éviter que le ventilateur rende certains aliments secs), il est possible de désactiver cette fonction pendant le préchauffage.

1. Appuyez sur le bouton de mode désiré (LOW, MED ou HIGH) et tenez-le enfoncé pendant trois secondes.
- Le témoin lumineux au-dessus du bouton de mode clignotera pendant le préchauffage et le ventilateur de convection ne fonctionnera pas.

Il n'y a pas d'interrupteur de dérogation pour la fonction de chauffage par convection avec le mode PLATES.

Pour garder des aliments chauds

1. Appuyez sur la touche correspondant au réglage de température désiré.
2. Laissez le tiroir se réchauffer.
3. Placez les aliments chauds déjà cuits dans le tiroir.

Vous pouvez laisser les aliments dans la casserole ou le poêlon ayant servi à la préparation. Vous pouvez également transférer les aliments dans un plat de service résistant à la chaleur avant de les placer dans le tiroir-réchaud.

Vous pouvez recouvrir les aliments d'un papier d'aluminium.

Réchauffage de plats et bols

1. Placez les plats et bols dans le tiroir-réchaud.
2. Appuyez sur « PLATES ».
- Laissez aux plats le temps de se réchauffer lentement pendant le préchauffage du tiroir-réchaud.
3. Ajustez la minuterie.

ATTENTION

NE mettez PAS de plats froids dans le tiroir-réchaud s'il est déjà chaud. Le verre pourrait prendre de l'expansion trop rapidement et se fendre.

ATTENTION

Les plats peuvent être chauds. Utilisez des poignées pour enlever les plats chauds du tiroir-réchaud.

Aliments croustillants

Placez les aliments dans un plat à rebord bas.

1. Appuyez sur « LOW ».
2. Préchauffez le tiroir, puis placez-y le plat.
3. Ajustez la minuterie.
4. Vérifiez la croustillance après 45 minutes. Ajoutez du temps au besoin.

ATTENTION

Pour des raisons de salubrité alimentaire, ne faites PAS réchauffer des aliments durant plus d'une heure.

Mode Shabbath

Le mode Shabbath s'adresse aux personnes dont les croyances religieuses interdisent toute activité de travail durant la journée du Shabbath.

- Le tiroir-réchaud est réglé pour fonctionner 74 heures avant de s'éteindre automatiquement.

- Lors de l'utilisation du mode Shabbath, les lettres SAB apparaissent au tableau d'affichage.
- Les fonctions du tiroir-réchaud ne peuvent pas être modifiées une fois que le mode Shabbath est choisi.
- Seul le mode MED peut être utilisé avec le mode Shabbath. Une fois que le mode Shabbath est sélectionné, toutes les touches sont désactivées sauf le bouton On/Off, qui sert à annuler le mode.

Réglage du mode Shabbath

1. Appuyez sur le bouton PLATES et tenez-le enfoncé pendant trois secondes
2. Appuyez sur ON/OFF à tout moment durant l'utilisation du mode Shabbath pour mettre fin au mode et éteindre l'appareil.

Recommandations pour le tiroir-réchaud

Aliment/Casserole ou plat	Réglage
Bacon ⁺	HIGH
Bœuf : saignant, à point et bien cuit ⁺	LOW
Pain , rapide : pains mollets, pains croûtés, gâteaux danois, biscuits, rôtis ⁺	MED
Casseroles ⁺	MED
Céréales , cuites ⁺	MED
Croustillants : aliments défraîchis	LOW
Pâte (à fermenter), couvrir ^{**}	LOW
Gaufres ou crêpes [*]	HIGH
Œufs : durs, brouillés ⁺	MED
Poisson , fruits de mer ⁺	MED
Aliments frits [*]	HIGH
Sauce , à la crème ⁺	MED
Jambon, agneau et porc ⁺	MED
Fonds de tarte ⁺	MED
Pizza [*]	HIGH
Pommes de terre , cuites ⁺	HIGH
Pommes de terre , pilées ⁺	MED
Volaille , rôtie ⁺	MED
Légumes ⁺	MED
Plats	PLATES
Assiette de nourriture ⁺	MED

* Préchauffez le plat de cuisson

** Couvrez l'aliment

+ Préchauffez le plat de cuisson et couvrez l'aliment

Nettoyage

Pour fonctionner comme il se doit, vous devez garder votre tiroir-réchaud propre et l'entretenir adéquatement. Assurez-vous que les commandes sont à la position OFF et que l'appareil a refroidi avant de le nettoyer.

Marques de produit

Les marques de produits utilisées sont destinées à indiquer un type de produit nettoyant et non à en faire la promotion. L'omission d'une marque ne signifie pas qu'elle convient ou ne convient pas. De nombreux produits sont distribués à grande échelle et il est possible de les trouver localement. Il est essentiel que les produits soient utilisés conformément à leur mode d'emploi. Le tableau suivant fournit des directives pour nettoyer la cuisinière.

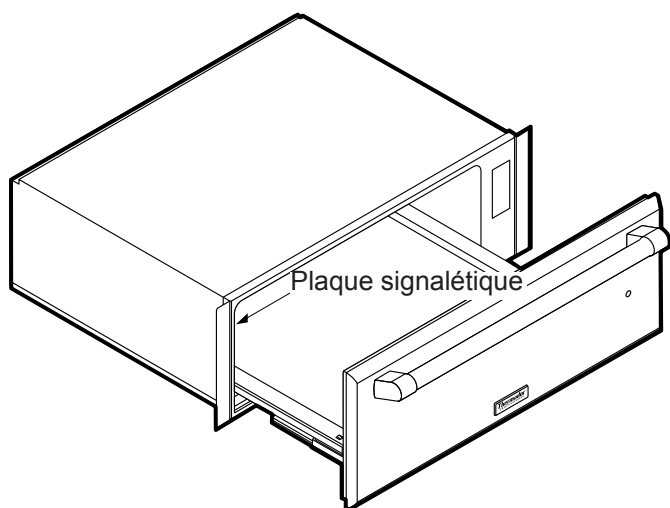
Pièce	Recommandations
Intérieur du tiroir (acier inoxydable poli)	<ul style="list-style-type: none">Utilisez du détergent à vaisselle. Lavez, rincez bien et séchez. Pour les taches d'eau dure ou de calcaire, utilisez du vinaigre blanc. Appliquez-le avec une éponge ou un chiffon, rincez et séchez.Décoloration due à la chaleur et corrosion : Nettoyez en vaporisant du nettoyant Bar Keeper's Friend[®] sur une éponge mouillée ou un chiffon mouillé et appliquez sur la surface d'acier inoxydable mouillé. Frottez doucement et uniformément. Rincez et séchez.
Verre du tiroir	<ul style="list-style-type: none">Utilisez de l'eau chaude savonneuse ou un produit nettoyant doux comme Fantastik[®] ou Formula 409[®]. Lavez, rincez bien et séchez. Évitez d'utiliser des agents nettoyants abrasifs, des laines d'acier et des produits nettoyants pour four.
Cadre extérieur du tiroir (acier inoxydable brossé)	<ul style="list-style-type: none">Frottez toujours dans le sens du grain. Lavez avec une éponge savonneuse, puis rincez et séchez, ou lavez en vaporisant du Fantastik[®] ou du Formula 409[®] sur un essuie-tout. Protégez et polissez en vaporisant du Stainless Steel Magic[®] sur un chiffon. Enlevez les taches d'eau dure avec un chiffon humide et du vinaigre. Pour enlever la décoloration due à la chaleur, utilisez du Bar Keeper's Friend[®].Protégez et polissez avec du Stainless Steel Magic[®] et un chiffon. Enlevez les taches d'eau dure avec un chiffon humide et du vinaigre.N'utilisez PAS de produits nettoyants contenant du chlore ou des composés au chlore pour nettoyer l'acier inoxydable. Ces produits corrodent l'acier inoxydable.
Commandes du tiroir-réchaud	<ul style="list-style-type: none">Nettoyez avec de l'eau savonneuse chaude ou une éponge ou un essuie-tout avec du Fantastik[®] ou du Formula 409[®]. Évitez d'utiliser des agents nettoyants abrasifs ou des tampons à laver.

Entretien

Pour joindre un préposé du service, consultez les coordonnées se trouvant au dos du présent manuel. Lorsque vous appelez, veuillez avoir à la portée de la main les renseignements imprimés sur la plaque signalétique de votre appareil.

Plaque signalétique

La plaque signalétique indique le numéro de modèle et le numéro de série de l'appareil. Consultez la plaque signalétique de l'appareil lorsque vous appelez pour du service. La plaque signalétique se trouve sur le côté intérieur gauche du boîtier du tiroir..



Information de service

Pour référence ultérieure, copiez dans le formulaire ci-dessous l'information inscrite sur la plaque signalétique se trouvant sur le côté intérieur gauche du boîtier du tiroir. Conservez votre facture pour validation de la garantie.

Numéro de modèle _____

Numéro de série _____

Numéro de FD _____

Notez aussi ces renseignements sur la carte d'enregistrement de produit livrée avec ce produit. Enregistrez votre appareil auprès de THERMADOR afin de vous assurer un service rapide et l'accès aux renseignements qui concernent votre appareil. Vous pouvez enregistrer votre appareil de l'une des façons suivantes :

1. Envoyez par la poste votre carte d'enregistrement de produit THERMADOR complétée.
2. Enregistrez votre produit en ligne à l'adresse www.thermador.ca.
3. Communiquez avec le service à la clientèle de THERMADOR au numéro 1-800-735-4328.

ÉNONCÉ DE GARANTIE LIMITÉE DU PRODUIT

Ce que couvre cette garantie et à qui elle s'applique

La garantie limitée offerte par BSH Home Appliances Corporation (BSH) dans cet énoncé de garantie limitée du produit ne s'applique qu'à l'appareil BSH qui vous a été vendu, à titre de premier acheteur, pourvu que le produit ait été acheté :

- Pour une utilisation domestique normale (non commerciale) et qu'il n'ait été utilisé qu'à des fins domestiques normales.
- Neuf au détail (qu'il ne soit pas un modèle précédemment retourné, un modèle « tel-quel » ou un modèle de plancher) et non destiné à la revente ou à un usage commercial.
- Aux États-Unis ou au Canada, et qu'il soit demeuré en tout temps dans le pays de l'achat d'origine.

Les garanties énoncées dans les présentes ne s'appliquent qu'au premier acheteur du produit et ne sont pas transférables.

Veillez vous assurer de retourner votre carte d'enregistrement ; bien que ce ne soit pas indispensable à la couverture de garantie. C'est toutefois le meilleur moyen pour BSH de communiquer avec vous, dans le cas peu probable d'un rappel de produit ou d'un avis de sécurité.

Durée de la garantie

Produit fabriqué avant le 1^{er} janvier 2012 dont le numéro est égal ou inférieur à FD911299999 : BSH garantit que le produit est exempt de défauts autant dans les matériaux que dans la main-d'œuvre pour une période de (365) jours à partir de la date d'achat. Cette période commence dès la date de l'achat et ne peut pas être arrêtée, prolongée ou suspendue pour quelque raison que ce soit.

Produit fabriqué après le 1^{er} janvier 2012 dont le numéro est égal ou supérieur à FD920100000 : BSH garantit que le produit est exempt de défauts autant dans les matériaux que dans la main-d'œuvre pour une période de sept cent trente (730) jours à partir de la date d'achat. Cette période commence dès la date de l'achat et ne peut pas être arrêtée, prolongée ou suspendue pour quelque raison que ce soit.

Réparation ou remplacement comme recours exclusif

Durant cette période de garantie, BSH ou l'un de ses fournisseurs de service autorisés réparera votre appareil sans frais (sujet à certaines limitations établies dans les présentes) s'il est prouvé qu'une défectuosité dans les matériaux ou la main-d'œuvre affecte le fonctionnement de votre appareil. Si tous les efforts entrepris pour réparer l'appareil ont échoués, BSH remplacera votre appareil (un modèle plus récent pourrait vous être livré, à la seule discrétion de BSH, pour des frais additionnels). Toutes les pièces et composants deviendront la propriété de BSH. Toutes les pièces remplacées et/ou réparées assumeront l'identité de la pièce d'origine aux fins de cette garantie et cette garantie ne sera pas prolongée suite au remplacement de ces pièces. La seule responsabilité de BSH telle que décrite dans les présentes est de réparer un produit défectueux à la fabrication, en mandatant un fournisseur de service autorisé de BSH durant les heures d'affaire. Pour des raisons de sécurité et de dommages aux biens, BSH recommande de ne pas tenter de réparer vous-même le produit ou d'employer un fournisseur de services non autorisé. BSH n'accepte aucune responsabilité pour les réparations ou le travail effectué par un fournisseur de service non autorisé. Si vous acceptez qu'une personne autre qu'un fournisseur de service autorisé travaille à réparer votre produit, CETTE GARANTIE DEVIENDRA AUTOMATIQUEMENT NULLE ET NON AVENUE. Les fournisseurs de service autorisés sont les personnes morales ou sociétés spécialement formées pour réparer les produits BSH et qui possèdent, selon BSH, une réputation supérieure au niveau du service à la clientèle et des compétences techniques (notez qu'il s'agit d'entités indépendantes et non d'agents, partenaires, sociétés affiliées ou représentants de BSH). En dépit des énoncés ci-dessus, BSH n'accepte aucune responsabilité pour un appareil se trouvant dans une région éloignée (à plus de 200 km d'un fournisseur de service autorisé), ou dans un lieu ou un environnement inaccessible, dangereux, menaçant ou hasardeux ; dans un tel cas, si vous le demandez, BSH paiera pour les pièces et la main-d'œuvre, et expédiera le tout au fournisseur de service autorisé le plus près. Vous serez toutefois entièrement responsable des frais de déplacement ou autres frais spéciaux engagés par la société de service, assumant que cette dernière accepte d'effectuer la réparation.

Appareil hors garantie

BSH n'est assujettie à aucune obligation, au titre de la loi ou autrement, de vous offrir des concessions, incluant les réparations, prorata ou remplacement de produit une fois cette garantie expirée.

Exclusions de la garantie

La garantie décrite dans les présentes exclut toutes les défauts ou dommages qui ne sont pas du fait direct de BSH, incluant, mais sans s'y limiter, un ou plusieurs des éléments suivants :

- Utilisation du produit pour quelque raison autre que son usage normal de la façon prévue (incluant mais sans s'y limiter, toute forme d'usage commercial, d'usage ou d'entreposage d'appareils pour l'intérieur à l'extérieur, d'usage de l'appareil avec tout moyen de transport maritime ou aérien).
- Toute conduite inappropriée, négligence, mauvais usage, abus, accident, utilisation inadéquate, absence d'entretien, installation inadéquate ou négligente, modification, non-respect des instructions d'utilisation, manutention inappropriée, réparations non autorisées (incluant les réparations « maison » ou l'exploration des mécanismes internes de l'appareil).
- L'ajustement, l'altération ou la modification de toute forme que ce soit.
- Le non-respect des codes du bâtiment, règlements ou lois de la ville, de la province ou du pays en matière d'électricité, de plomberie, incluant une installation non conforme aux règlements et codes du bâtiment et des services d'incendie.
- L'usure normale, les déversements d'aliments ou de liquides, les accumulations de graisse ou d'autres substances qui s'accumulent sur, dans ou autour de l'appareil.
- Toute force et facteur extérieur causé par les éléments ou l'environnement, incluant, mais sans s'y limiter, la pluie, le vent, le sable, les inondations, les coulées de boue, les températures extrêmes, l'humidité excessive ou l'exposition prolongée à l'humidité, la foudre, les pannes de courant, les défaillances structurales autour de l'appareil et les catastrophes naturelles.

En aucun cas BSH ne peut être tenu responsable de dommages aux biens environnants, incluant les armoires de cuisine, les planchers, les plafonds et toute autre structure ou objet entourant l'appareil. Également exclus de cette garantie sont les éraflures, entailles, bossellements mineurs et dommages cosmétiques des surfaces externes et parties exposées ; les appareils dont les numéros de série ont été modifiés, effacés ou rendus illisibles ; les visites de service visant à vous enseigner comment utiliser l'appareil ou les visites qui ne révèlent aucune défaillance à l'appareil ; la correction des problèmes d'installation (vous êtes seul responsable de

la mise en place de l'appareil, notamment au niveau de l'électricité, de la plomberie et des autres installations de raccordement, des fondations et planchers et des modifications incluant, mais sans s'y limiter, les armoires, les murs, les planchers, les étagères, etc.) et le réenclenchement des disjoncteurs ou le changement des fusibles.

SELON LES LIMITES PERMISES PAR LA LOI, CETTE GARANTIE VOUS ACCORDE DES RECOURS EXCLUSIFS RELATIVEMENT AU PRODUIT, QUE LA RÉCLAMATION SURVIENNE DE PAR LE CONTRAT OU PAR DÉLIT CIVIL (INCLUANT LA RESPONSABILITÉ STRICTE OU LA NÉGLIGENCE) OU DE TOUTE AUTRE FAÇON. CETTE GARANTIE REMPLACE TOUTE AUTRE GARANTIE, QU'ELLE SOIT EXPRESSE OU IMPLICITE. TOUTE GARANTIE IMPLICITE EN VERTU DE LA LOI, QU'ELLE CONCERNE LA QUALITÉ MARCHANDE OU L'ADAPTATION À DES FINS PARTICULIÈRES, OU AUTREMENT, NE SERA EN VIGUEUR QUE POUR LA PÉRIODE PENDANT LAQUELLE LA GARANTIE EXPRESSE LIMITÉE EST EN VIGUEUR. EN AUCUN CAS LE FABRICANT NE PEUT ÊTRE TENU RESPONSABLE DES DOMMAGES INDIRECTS, PARTICULIERS, CONSÉCUTIFS, DÉCOULANT D'UNE « PERTE COMMERCIALE » ET/OU PUNITIFS, DES PERTES OU DÉPENSES, INCLUANT, MAIS SANS S'Y LIMITER, LE TEMPS PASSÉ LOIN DU TRAVAIL, LES HÔTELS ET/OU LES REPAS AU RESTAURANT, LES FRAIS DE REMODELAGE QUI DÉPASSENT LES DOMMAGES DIRECTS DÉFINITIVEMENT ET EXCLUSIVEMENT CAUSÉS PAR BSH OU AUTREMENT. CERTAINS ÉTATS OU PROVINCES NE PERMETTENT PAR L'EXCLUSION OU LA LIMITATION DES DOMMAGES CORRÉLATIFS OU IMPRÉVUS ET CERTAINS ÉTATS OU PROVINCES NE PERMETTENT PAS D'ACCORDER UNE LIMITE DE DURÉE À LA GARANTIE IMPLICITE. PAR CONSÉQUENT LES LIMITATIONS CI-DESSUS POURRAIENT NE PAS S'APPLIQUER À VOUS. CETTE GARANTIE VOUS ACCORDE DES DROITS LÉGAUX SPÉCIFIQUES ET VOUS POURRIEZ ÉGALEMENT DISPOSER D'AUTRES DROITS QUI VARIENT D'UN ÉTAT À L'AUTRE ET D'UNE PROVINCE À L'AUTRE.

Aucune tentative de modifier ou d'amender cette garantie ne sera considérée comme applicable à moins qu'elle n'ait été autorisée par écrit par un responsable de BSH.

Índice de materias

Seguridad	1
Por donde empezar	3
Identificación de las piezas	3
Funcionamiento	4
Acerca del aparato	4
Información general	4
Características	4
Funcionamiento	4
Recomendaciones acerca de los ajustes de temperaturas	5
Limpieza	6
Mantenimiento	7
Declaración de garantía	8
Mantenimiento, piezas y accesorios	última página

Definiciones de seguridad

ADVERTENCIA

Esto indica que se pueden producir lesiones graves o la muerte si no se cumple con esta advertencia.

PRECAUCIÓN

Esto indica que pueden producirse lesiones leves o moderadas si no se cumple con esta advertencia.

NOTA: Esto indica que puede producirse un daño al electrodoméstico o a la propiedad como resultado de la falta de cumplimiento de este aviso.

Nota: Esto lo alerta sobre información y/o consejos importantes.

Este electrodoméstico de
THERMADOR® está hecho por
BSH Home Appliances Corporation
1901 Main Street, Suite 600
Irvine, CA 92614

¿Preguntas?
1-800-735-4328
www.thermador.com

¡Esperamos oír de usted!

Seguridad



INSTRUCCIONES IMPORTANTES DE SEGURIDAD LEA Y GUARDE ESTAS INSTRUCCIONES

Instalación y mantenimiento adecuados

ADVERTENCIA

Su nuevo aparato está diseñado para ser fiable y seguro cuando se utiliza convenientemente. Lea todas las instrucciones atentamente antes de utilizarlo. Estas instrucciones reducirán los riesgos de quemaduras, de descargas eléctricas y de lesiones. Cuando se utilizan electrodomésticos de cocina, se deben respetar algunas normas básicas de seguridad, incluso las que aparecen en este manual.

ADVERTENCIA

Advertencias en virtud de la Proposición 65 del estado de California:

Este producto contiene una o más sustancias químicas que el estado de California sabe que provocan cáncer, defectos congénitos, u otro daño reproductivo.

Pídale al instalador que le enseñe donde se encuentra el disyuntor. Identifíquelo para que sea fácil de localizar.

Asegúrese de que un técnico cualificado instale el aparato y haga la toma de tierra de la estufa. Conéctelo a una alimentación eléctrica con una toma de tierra adecuada. Consulte el manual de instalación para obtener más detalles.

Este aparato está diseñado únicamente para un uso doméstico normal. No está diseñado para un uso en el exterior. Consulte la sección titulada *“DECLARACIÓN DE GARANTÍA LIMITADA DEL PRODUCTO”* en la página 8. Si tiene alguna pregunta, póngase en contacto con THERMADOR®.

No almacene o use químicos corrosivos, vapores, productos inflamables o no alimenticios en o cerca de este aparato. Este aparato está diseñado específicamente para calentar o cocinar alimentos. El uso de químicos corrosivos cuando caliente o limpie el cajón puede dañar el aparato y causar lesiones.

No utilice este aparato si no funciona correctamente o si está dañado. Póngase en contacto con una agencia autorizada.

No repare o reemplace ninguna parte del aparato a menos que haya sido recomendado específicamente en este manual. Confíe todas las reparaciones a una agencia autorizada del fabricante.

Seguridad – Incendio

No use papel de aluminio para forrar el cajón calentador. De lo contrario podría causar una descarga eléctrica o un fuego.

Si materias prenden fuego en el cajón calentador, cierre la puerta. Apague el aparato y desconecte el circuito del disyuntor.

Utilice este aparato únicamente para hacer lo que está descrito en este manual. Por ejemplo, nunca lo utilice para calentar una sala o para almacenar objetos.

Asegúrese de que siempre haya un detector de humo que funcione cerca de la cocina.

Si sus prendas o sus cabellos prenden fuego, tírese al suelo inmediatamente y dé vueltas para apagar las llamas.

Sofoque las llamas de los alimentos en llamas, siempre y cuando el fuego no sea producto de la grasa, con bicarbonato sódico. Nunca utilice agua en incendios de cocina.

Prevención de quemaduras

Tenga cuidado al abrir la puerta del aparato. Quédese al lado del horno cuando abra la puerta para permitir que se escape el aire caliente o el vapor. Mantenga su cara lejos de la puerta abierta y asegúrese de que ningún niño o animal se encuentre cerca del aparato. Una vez que el vapor o el aire caliente se haya escapado coloque los alimentos. Mantenga las puertas cerradas a no ser que sea necesario para cocinar o para limpiar el aparato. No deje puertas abiertas sin vigilancia.

No caliente contenedores de comida que no hayan sido abiertos.

No caliente recipientes cerrados. La presión acumulada puede causar que el contenedor explote y provocar lesiones.



INSTRUCCIONES IMPORTANTES DE SEGURIDAD

LEA Y GUARDE ESTAS INSTRUCCIONES

Siempre use asas secas para las ollas: Las asas mojadas o húmedas que entran en contacto con superficies calientes pueden causar lesiones por el vapor. No permita que las asas toquen rejillas de quemadores, quemadores infrarrojos, o quemadores calientes. No use toallas o trapos voluminosos.

No toque el interior del cajón cuando esté en uso. El interior del cajón puede calentarse lo suficiente como para causar quemaduras. Deje que se enfríe antes de manipularlo.

PRECAUCIÓN

Para prevenir los riesgos de quemaduras, no saque el cajón cuando esté caliente. Asegúrese de que esté vacío antes de sacarlo.

Ate todas las prendas holgadas, etc., antes de usar este aparato. Ate también su pelo y no lleve ropa o complementos que cuelguen, como una corbata, una bufanda, una joya o mangas largas.

Seguridad – Niños

Cuando los niños lleguen a la edad suficiente para utilizar el aparato, es responsabilidad legal de los padres o de los tutores legales asegurar que personas cualificadas los instruyan sobre prácticas seguras.

No deje que nadie suba, se siente o se apoye en el aparato, especialmente sobre la puerta, el cajón calentador o un cajón de almacenamiento. Esto podría dañar el aparato o volcarlo y provocar lesiones graves.

No permita que los niños usen este aparato a no ser que estén supervisados de cerca por un adulto. NO se debería dejar a niños o animales sin supervisión cerca del aparato cuando está funcionando. Nunca se debe permitir a los niños jugar cerca del aparato, incluso cuando no está funcionando..

PRECAUCIÓN

No almacene objetos que llamen la atención de los niños en el aparato o detrás de él. Ni siquiera en armarios situados encima. Podrían subir sobre el aparato para alcanzarlos y sufrir heridas serias.

Salubridad alimenticia

PRECAUCIÓN

Por razones de salubridad alimenticia, siga las siguientes normas:

1. NO utilice el cajón calentador para calentar alimentos fríos (excepción: es seguro utilizar el cajón para calentar galletas crujientes, patatas fritas y cereales secos, también para calentar platos).
2. Asegúrese de mantener los alimentos a una temperatura adecuada. La USDA recomienda conservar los alimentos calientes a una temperatura mínima de 140 °F (60 °C). El ajuste LOW del cajón calentador no conserva los alimentos perecederos a una temperatura de 140 °F (60 °C).
3. NO caliente alimentos durante más de una hora.

Seguridad – Contenedores

PRECAUCIÓN

Los contenedores o envolturas de plástico pueden derretirse si están en contacto directo con el cajón o con un utensilio caliente. Si se derriten en el cajón, es probable que no se puedan retirar.

ADVERTENCIA

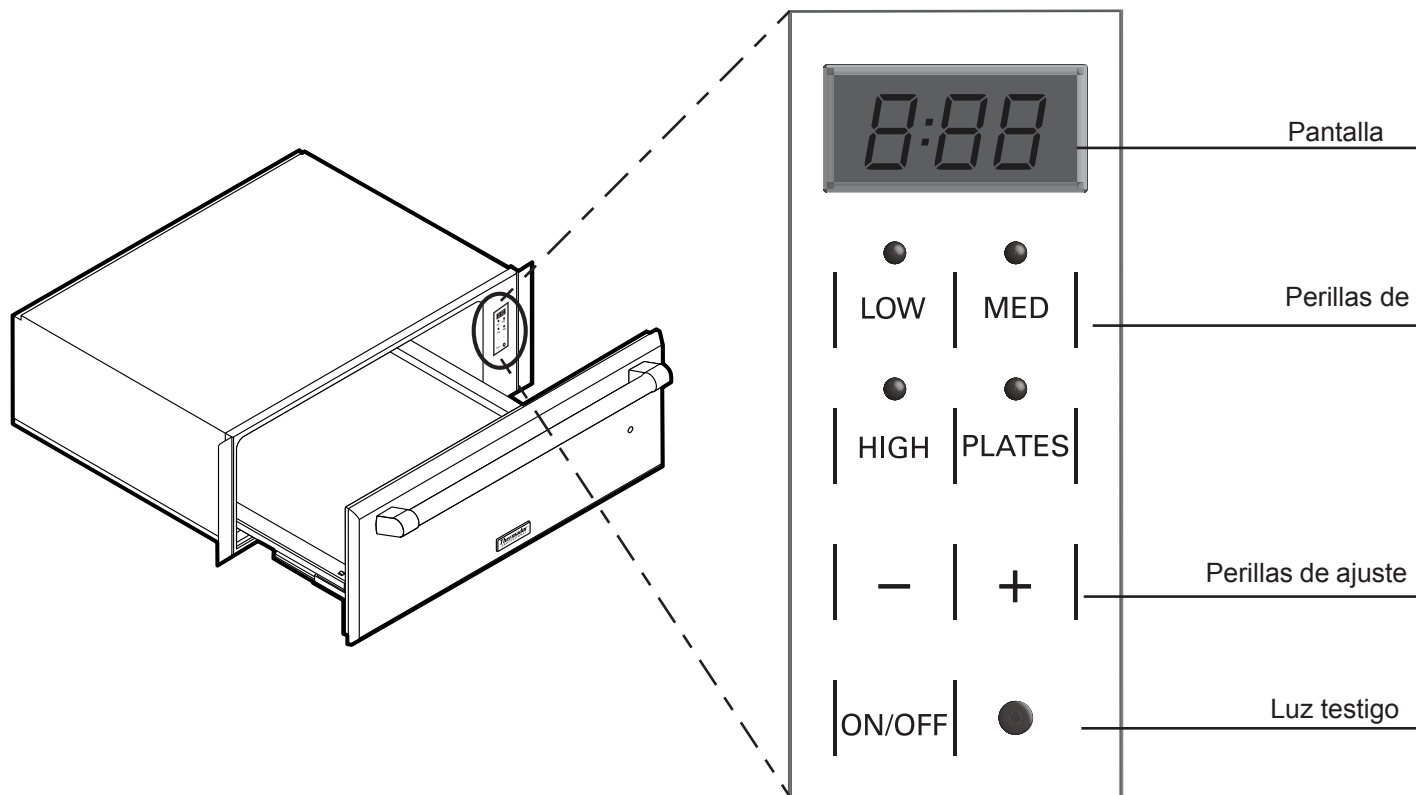
NO almacene materiales inflamables en el cajón calentaplatos, como papel, plástico o tejidos, libros de cocina, toallas, y líquidos inflamables.

NO utilice el cajón calentaplatos para calentar toallas.

NO almacene explosivos, como aerosoles, en el cajón o cerca de él. Las materias inflamables pueden estallar y causar un incendio o daños materiales.

Por donde empezar

Identificación de las piezas



Perilla ON/OFF

Utilice esta perilla para encender (ON) y apagar (OFF) el cajón calentador.

Luz testigo

Esta luz testigo se ilumina cuando se está utilizando el cajón.

Señal sonora

El panel de control emite una señal sonora para confirmar la activación de un mando. El temporizador emite una señal sonora cuando el tiempo elegido ha transcurrido.

El aparato emite una señal sonora cuando alcanza la temperatura de precalentamiento LOW, MED o HIGH para indicar que se le puede utilizar.

Perillas de ajuste

(-) reduce el tiempo y (+) lo aumenta.

Perillas de temperatura

Las perillas de temperatura controlan la temperatura de la placa del fondo del cajón. Al seleccionar un modo de calentamiento, la luz testigo de este modo se ilumina.

Perillas de ajuste

LOW

MED

HIGH

PLATES

Pantalla

Perillas de

Perillas de ajuste

Luz testigo

Funcionamiento

A propósito del aparato

El cajón calentaplatos mantiene los alimentos cocidos calientes a una temperatura adecuada para servir. Siempre empiece con alimentos calientes. NO utilice el cajón calentaplatos para calentar alimentos fríos excepto galletas crujientes, papas fritas y cereales secos, o para calentar platos o vajillas.

Información general

Exigencias eléctricas y de toma de tierra

Características del circuito: 120 V, 15 A, 60 Hz, enchufe trifásico con toma de tierra. Se debe efectuar la toma de tierra del enchufe conforme a todos los códigos vigentes.

Es responsabilidad del instalador asegurarse de que este aparato esté instalado conforme a todos los códigos locales. Si ningún código se aplica, el instalador debe efectuar la conexión conforme a la última edición del Código eléctrico nacional ANSI/NFPA 70.

Características

Temporizador

Se puede ajustar el temporizador por tramos de 5 minutos. El tiempo mínimo es de 5 minutos y el tiempo máximo es de 5 horas. El ajuste por defecto del temporizador es de una hora. Cuando haya transcurrido el tiempo seleccionado, el temporizador emitirá una señal sonora y el cajón se apagará automáticamente.

Cambiar el tiempo del temporizador:

Utilice las perillas + y – para modificar el tiempo del temporizador.

PRECAUCIÓN

NO utilice film transparente para cubrir alimentos o contenedores de plástico en el cajón calentador. Los contenedores de plástico y los embalajes de plástico pueden derretirse si están en contacto directo con el cajón o un utensilio caliente. Si se derriten en el cajón, podría ser imposible quitarlos.

ADVERTENCIA

Nunca use papel de aluminio para forrar el cajón calentador. De lo contrario podría causar una descarga eléctrica o un fuego.

Indicador de calor residual

Una vez apagado el cajón calentador, la letra H (de "Hot") permanecerá en la pantalla mientras el aparato sigue caliente. Este indicador de calor residual no desaparece hasta que se haya enfriado lo suficiente el cajón calentador.

PRECAUCIÓN

Mientras está encendido el indicador de calor residual, el cajón calentador está caliente y puede presentar riesgos de quemadura.

Funcionamiento

Antes de usar el cajón calentador, límpielo bien con agua caliente jabonosa. Se pueden desprender ciertos olores al utilizar el aparato por primera vez – eso es normal.

Sólo use platos que resistan al calor.

Pre calentamiento del cajón calentador

Pre caliente el cajón calentador para guardar alimentos calientes. Para obtener mejores resultados, pre caliente durante los siguientes tiempos:

LOW (Baja): 6 minutos

MED (Media): 12 minutos

HIGH (Alta): 20 minutos

PLATES: No pre caliente el cajón calentador.

El aparato emite varias señales sonoras cuando se acaba el pre calentamiento.

Desactivación del pre calentamiento por convección

Para pre calentar el cajón más rápido, el pre calentamiento está programado para utilizar el calentamiento por convección. Si el usuario elige no utilizar el ventilador del modo de convección durante el pre calentamiento del cajón calentador (por ejemplo, para evitar que el ventilador seque algunos alimentos), es posible desactivar esta función durante el pre calentamiento.

1. Oprima la perilla del modo deseado (LOW, MED o HIGH) y manténgalo oprimido durante tres segundos.
- La luz testigo del modo parpadeará durante el pre calentamiento y el ventilador de convección no funcionará.

No hay un interruptor de derogación para la función de calentamiento por convección con el modo PLATES.

Para guardar alimentos calientes

1. Oprima la tecla que corresponde al ajuste de temperatura deseado.
2. Deje que el cajón se precaliente.
3. Coloque los alimentos cocidos y calientes en el cajón.

Puede dejar los alimentos en los utensilios de cocina donde los preparó, o puede pasarlos a un plato resistente al calor antes de colocarlos en el cajón calentador.

Puede usarse papel de aluminio para cubrir los platos.

Para calentar platos y tazones

PRECAUCIÓN:

NO coloque platos fríos en el cajón calentador si ya está caliente. El vidrio podría expandirse demasiado rápido y partirse.

PRECAUCIÓN:

Los platos pueden estar calientes. Utilice agarraderas para quitar los platos calientes del cajón calentador.

1. Coloque los platos y tazones en el cajón calentador.
2. Pulse "PLATES".
-- Deje que se calienten los platos lentamente según se va calentando el cajón calentador.
3. Ajuste el temporizador.

Alimentos crujientes y duros

Coloque los alimentos en un plato o una bandeja de borde bajo.

1. Pulse "LOW".
2. Precaliente el cajón y luego coloque el plato en el cajón.
3. Ajuste el temporizador.
4. Compruebe si los alimentos están crujientes después de 45 minutos. Déjelos en el cajón si hace falta.

PRECAUCIÓN:

Para mantener la seguridad de los alimentos, NO los deje en el horno más de una hora.

Modo Sabbath

El modo Sabbath está pensado para las religiones que exigen "no trabajar" en el día de descanso.

- El cajón calentador está ajustado para funcionar 74 horas antes de apagarse automáticamente.

- Cuando se está utilizando el modo Sabbath, las letras SAB aparecen en la pantalla.
- Las funciones del cajón calentador no se pueden modificar una vez seleccionado el modo Sabbath.
- Sólo se puede utilizar el modo MED con el modo Sabbath. Una vez seleccionado el modo Sabbath, todas las perillas se desactivan, menos la perilla ON/OFF, qui sirve para anular el modo.

Ajuste del modo Sabbath

1. Oprima la perilla PLATES y manténgalo oprimido durante tres segundos.
2. Oprima la perilla ON/OFF en cualquier momento durante la utilización del modo Sabbath para desactivar el modo y apagar el aparato.

Recomendaciones de ajuste de temperatura

Alimento/Olla	Ajuste
Bacon ⁺	HIGH
Res: poco hecho, a punto y bien cocido ⁺	LOW
Pan, rápido: panecillos duros y blandos, bizcochos, galletas, tostadas ⁺	MED
Cacerolas ⁺	MED
Cereales, cocidos ⁺	MED
Alimentos crujientes	LOW
Masa (para fermentación), cubrir ^{**}	LOW
Crepes, panqueques [*]	HIGH
Huevos : duros, revueltos ⁺	MED
Pescado, mariscos ⁺	MED
Alimentos fritos [*]	HIGH
Salsa, de crema ⁺	MED
Jamón, cordero y cerdo ⁺	MED
Masa de tarta ⁺	MED
Pizza [*]	HIGH
Papas, cocidas ⁺	HIGH
Papas, puré ⁺	MED
Carne de ave, asada ⁺	MED
Verduras ⁺	MED
Platos	PLATES
Plato de comida ⁺	MED

* Precaliente la bandeja de cocción

** Cubra el alimento

+ Precaliente la bandeja de cocción y cubra el alimento

Limpieza

Para un funcionamiento adecuado, se debe mantener el cajón calentador limpio. Antes de limpiarlo, asegúrese de que los mandos estén en la posición OFF y que el aparato se ha enfriado.

Nombres de marcas

El uso de nombres de marcas sirve únicamente para indicar un tipo de detergente y no constituye ninguna promoción. La omisión de un nombre de marca no implica su aptitud o insuficiencia. Muchos de los productos mencionados se pueden encontrar en los mercados locales. Es imprescindible usar todos los productos rigurosamente conforme a las instrucciones del empaque. La siguiente tabla da indicaciones para limpiar la estufa.

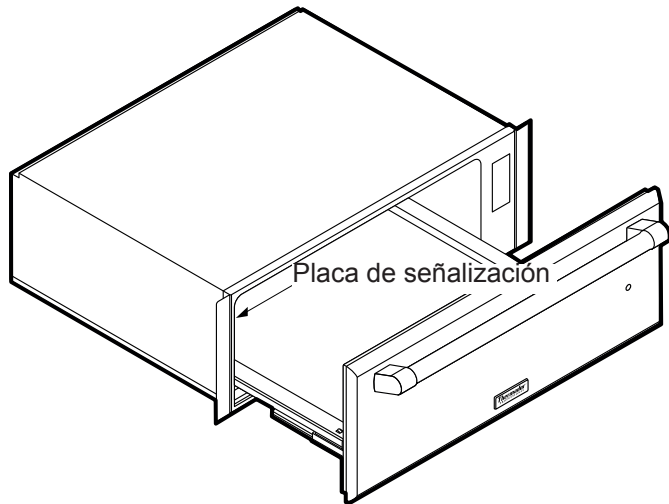
Pieza	Recomendaciones
Interior del cajón (acero inoxidable pulido)	<ul style="list-style-type: none">• Utilice detergente para vajilla. Limpie, enjuague bien y seque. Para las manchas de agua dura o de cal, utilice vinagre blanco. Aplíquelo con una esponja o un trapo, enjuague y seque.• Decoloración debida al calor y corrosión: Limpie vaporizando una esponja mojada con un detergente como Bar Keeper's Friend® y aplíquelo sobre la superficie de acero inoxidable mojado. Frote despacio y uniformemente. Enjuague y seque.
Vidrio del cajón	<ul style="list-style-type: none">• Utilice agua caliente jabonosa o un detergente suave como Fantastik® o Formula 409®. Limpie, enjuague bien y seque. Evite utilizar detergentes abrasivos, estropajos o detergentes para hornillas.
Marco exterior del cajón (acero inoxidable cepillado)	<ul style="list-style-type: none">• Frote siempre en el sentido del grano. Limpie con una esponja jabonosa, luego enjuague y seque, o lave vaporizando un detergente como Fantastik® o Formula 409® en una bayeta. Proteja y pula la superficie vaporizando Stainless Steel Magic® en un trapo. Para las manchas de agua dura, utilice un trapo húmedo con vinagre blanco. Para quitar la decoloración debida al calor, utilice Bar Keeper's Friend®.• Proteja y pula la superficie vaporizando Stainless Steel Magic® en un trapo. Para las manchas de agua dura, utilice un trapo húmedo con vinagre.• NO utilice detergentes que contengan cloro y compuestos de cloro para limpiar acero inoxidable. Estos productos son corrosivos para el acero inoxidable.
Mandos del cajón calentador	<ul style="list-style-type: none">• Limpie con agua caliente jabonosa o una esponja o una bayeta con un detergente como Fantastik® o Formula 409®. Evite utilizar detergentes abrasivos o estropajos.

Mantenimiento

Para ponerse en contacto con un agente de servicio, consulte los datos que se hallan en el dorso de este manual. Cuando llame, tenga a mano la información que se muestra en la placa de señalización de su aparato.

Placa de señalización

La placa de señalización indica el número de modelo y de serie del aparato. Consulte la placa de señalización cuando llame para solicitar servicio. Se encuentra en el panel interior izquierdo de la carcasa del cajón.



Información para el servicio técnico

Para una consulta útil, anote aquí abajo la información de la placa de señalización situada en el panel interior izquierdo de la carcasa del cajón. Conserve su factura para que su garantía sea válida..

Número de modelo: _____

Número de serie: _____

Número de FD: _____

Fecha de compra: _____

Además, anote esta información en el formulario de registro del producto.

Registre su producto THERMADOR para asegurarse de que pueda recibir servicios y tener acceso a la información vinculada a su producto. Puede registrar su producto de una de las formas siguientes:

1. Por correo, llenando el formulario de registro del producto THERMADOR.
2. En línea, al www.thermador.com.
3. Por teléfono, en la atención al cliente THERMADOR, al 1-800-735-4328.

DECLARACIÓN DE GARANTÍA LIMITADA DEL PRODUCTO

Cobertura de esta garantía y a quiénes se aplica:

La garantía limitada otorgada por BSH Home Appliances (BSH) en esta Declaración de Garantía Limitada del Producto se aplica únicamente al electrodoméstico BSH vendido a usted, el primer comprador usuario, siempre que el Producto haya sido Comprado:

- Para uso doméstico (no comercial) normal y que haya sido utilizado en todo momento únicamente para fines domésticos normales.
- Nuevo en una tienda minorista (que no sea un producto de exhibición, ni un producto vendido "en las condiciones en que se encuentra" ni un modelo devuelto anteriormente) y no esté destinado para reventa ni uso comercial.
- Dentro de los Estados Unidos o Canadá, y permanezca en todo momento dentro del país de compra original.

Las garantías incluidas en el presente se aplican únicamente al primer comprador del Producto y no son transferibles.

Asegúrese de devolver su tarjeta de registro; si bien no es necesario para hacer efectiva la cobertura de la garantía, es la mejor manera para que BSH le notifique en el caso poco probable de que se emita un aviso de seguridad o se retire del mercado un producto.

Duración de la garantía

Producto fabricado después del 1 de enero de 2012 cuyo número es igual o superior a FD920100000: BSH garantiza que el producto está exento de defectos de materiales y mano de obra por un período de (365) días desde la fecha de compra. El período mencionado precedentemente empieza a contarse en la fecha de compra y no se interrumpe, demora, amplía ni suspende por ninguna razón.

Producto fabricado después del 1 de enero de 2012 cuyo número es igual o superior a FD920100000: BSH garantiza que el producto está exento de defectos de materiales y mano de obra por un período de setecientos treinta (730) días desde la fecha de compra. El período mencionado precedentemente empieza a contarse en la fecha de compra y no se interrumpe, demora, amplía ni suspende por ninguna razón.

Reparación / reemplazo como único recurso

Durante el período de esta garantía, BSH o uno de sus proveedores de servicio técnico autorizados reparará su Producto sin cargo para usted (con sujeción a determinadas limitaciones especificadas en el presente documento) si se prueba que su Producto ha sido fabricado con un defecto en los materiales o en la mano de obra. Si se ha intentado de manera razonable reparar el Producto sin éxito, BSH reemplazará su Producto (es posible que usted tenga disponibles modelos mejorados, a entera discreción de BSH, con un cargo adicional). Todas las piezas y los componentes extraídos serán propiedad de BSH, a su entera discreción. Todas las piezas reemplazadas o reparadas se considerarán como la pieza original a los fines de esta garantía, y esta garantía no será extensible a dichas piezas. En virtud del presente documento, la única y exclusiva responsabilidad y obligación de BSH es únicamente reparar el Producto defectuoso de fábrica, a través de un proveedor de servicio técnico autorizado por BSH durante el horario de oficina. Por cuestiones de seguridad y daños materiales, BSH recomienda encarecidamente que no intente reparar el Producto usted mismo ni usar un proveedor de servicio técnico no autorizado; BSH no será responsable ni tendrá obligación alguna sobre las reparaciones o trabajos realizados por un centro de servicio técnico no autorizado. Si usted prefiere que una persona que no sea proveedor de servicio técnico autorizado trabaje en su Producto, **ESTA GARANTÍA SE ANULARÁ AUTOMÁTICAMENTE.** Los proveedores de servicio técnico autorizados son aquellas personas o compañías que han sido especialmente capacitadas para manejar los productos de BSH y que tienen, según el criterio de BSH, una reputación superior de servicio con el cliente y capacidad técnica (debe tener en cuenta que son entidades independientes y no son agentes, socios, afiliados ni representantes de BSH). Sin perjuicio de lo anterior, BSH no tendrá responsabilidad ni obligación alguna sobre el Producto que se encuentre en un área remota (a más de 100 millas de un proveedor de servicio técnico autorizado) o en un lugar, área circundante o entorno que no sea accesible por medios razonables o que sea peligroso, hostil o arriesgado; en cualquier caso, cuando lo solicite, BSH de todas maneras pagará por la mano de obra y las piezas, y enviará las piezas al proveedor de servicio técnico autorizado más cercano, pero usted seguirá siendo totalmente responsable del tiempo de viaje y demás cargas especiales de la compañía de servicio técnico, suponiendo que acepte hacer la visita de servicio técnico.

Producto fuera de garantía

BSH no tiene obligación alguna, en virtud de la ley o por otro motivo, de otorgarle ninguna concesión, incluidos reparaciones, prorratesos o reemplazo del Producto, con posterioridad al vencimiento de la garantía.

Exclusiones de la garantía

La cobertura de garantía descrita en el presente documento excluye todos los defectos o daños que no fueron provocados directamente por BSH, incluidos, entre otros, alguno de los siguientes:

- Uso del Producto de maneras distintas del uso normal, habitual y previsto (incluidos, entre otros, cualquier forma de uso comercial, uso o almacenamiento en exteriores de un producto diseñado para interiores, uso del Producto en aeronaves o embarcaciones).
- Conducta indebida, negligencia, uso indebido, abuso, accidentes, descuido, operación inadecuada, omisión de mantenimiento, instalación inadecuada o negligente, adulteración, omisión de seguir las instrucciones de operación, manipulación inadecuada, servicio técnico no autorizado (incluidos "arreglos" o exploración de los mecanismos internos del electrodoméstico realizados por uno mismo) por parte de cualquier persona.
- Ajuste, alteración o modificación de cualquier tipo.
- Incumplimiento de los códigos, reglamentaciones o leyes de electricidad, fontanería o construcciones locales estatales, municipales o de condado, incluida la omisión de instalar el producto cumpliendo estrictamente con los códigos y las reglamentaciones locales de construcción y protección contra incendios.
- Desgaste habitual, derrames de alimentos, líquidos, acumulaciones de grasa u otras sustancias que se acumulen sobre el Producto, dentro o alrededor de este.
- Y cualquier fuerza o factor externo, elemental o ambiental, incluidos, entre otros, lluvia, viento, arena, inundaciones, incendios, aludes de lodo, temperaturas bajas extremas, humedad excesiva o exposición prolongada a la humedad, rayos, sobrecargas eléctricas, fallos estructurales alrededor del electrodoméstico y caso fortuito, circundantes, incluidos los gabinetes, pisos, techos y demás estructuras u objetos que se encuentren alrededor del producto.

También se excluyen de esta garantía las rayas, hendiduras, abolladuras menores y daños estéticos en superficies externas y piezas expuestas; productos en los que los números de serie hayan sido alterados, modificados o eliminados; visitas del servicio técnico para enseñarle a usar el Producto o visitas en las que se determine que no hay ningún problema con el Producto; corrección de los problemas de instalación (usted es el

único responsable de cualquier estructura y soporte del Producto, incluidas todas las instalaciones de electricidad y fontanería o demás instalaciones de conexión, de la correcta instalación en bases / pisos y de cualquier alteración, incluidos, entre otros, gabinetes, paredes, pisos, repisas, etc.); y el restablecimiento de disyuntores o fusibles.

EN LA MEDIDA PERMITIDA POR LA LEY, ESTA GARANTÍA ESTABLECE SUS RECURSOS EXCLUSIVOS CON RESPECTO AL PRODUCTO, INDEPENDIENTEMENTE DE QUE LA RECLAMACIÓN SEA CONTRACTUAL O EXTRA CONTRACTUAL (INCLUIDA LA RESPONSABILIDAD OBJETIVA O LA NEGLIGENCIA), O DE CUALQUIER OTRO MODO. ESTA GARANTÍA REEMPLAZA TODAS LAS DEMÁS GARANTÍAS EXPRESAS O IMPLÍCITAS. LAS GARANTÍAS IMPLÍCITAS POR LEY, YA SEA DE COMERCIABILIDAD O APTITUD PARA UN FIN ESPECÍFICO, O DE CUALQUIER OTRO TIPO, TENDRÁN VIGENCIA ÚNICAMENTE DURANTE EL PERÍODO DE VIGENCIA DE LA PRESENTE GARANTÍA LIMITADA EXPRESA. EN NINGÚN CASO, EL FABRICANTE SERÁ RESPONSABLE DE LOS DAÑOS CONSECUENTES, ESPECIALES, INCIDENTALES, INDIRECTOS, POR "PÉRDIDAS COMERCIALES" O DAÑOS PUNITIVOS, PÉRDIDAS O GASTOS, INCLUIDOS, ENTRE OTROS, TIEMPO FUERA DEL TRABAJO, HOTELES O COMIDAS EN RESTAURANTES, GASTOS DE REMODELACIÓN QUE SUPEREN LOS DAÑOS DIRECTOS, QUE DEFINITIVAMENTE HAYAN SIDO CAUSADOS DE MANERA EXCLUSIVA POR BSH O DE OTRO MODO. ALGUNOS ESTADOS NO PERMITEN LA EXCLUSIÓN O LIMITACIÓN DE DAÑOS INCIDENTALES O CONSECUENTES, Y ALGUNOS ESTADOS NO PERMITEN LIMITACIONES CON RESPECTO AL PLAZO DE VIGENCIA DE UNA GARANTÍA IMPLÍCITA; POR LO TANTO, ES POSIBLE QUE LAS LIMITACIONES ANTERIORES NO SE APLIQUEN A USTED. ESTA GARANTÍA LE OTORGA DERECHOS LEGALES ESPECÍFICOS, Y TAMBIÉN PUEDEN CORRESPONDERLE OTROS DERECHOS QUE PUEDEN VARIAR SEGÚN EL ESTADO.

Cualquier intento de alterar, modificar o enmendar la presente garantía no tendrá vigencia, a menos que fuera autorizado por escrito por un ejecutivo de BSH.

Thermador® Service/Entretien/Mantenimiento

Service

We realize that you have made a considerable investment in your kitchen. We are dedicated to supporting you and your appliance so that you have many years of creative cooking.

Please don't hesitate to contact our excellent STAR™ Customer Support Department if you have any questions or in the unlikely event that your THERMADOR® appliance needs service. Our service team is ready to assist you.

USA:
800-735-4328
www.thermador.com/support

Canada:
800-735-4328
www.thermador.ca

Parts & Accessories

Parts, filters, descalers, stainless steel cleaners and more can be purchased in the THERMADOR eShop or by phone.

USA:
www.thermador-eshop.com

Canada:
Marcone 800-287-1627
or
Reliable Parts 800-663-6060

Entretien

Nous savons bien que vous avez investi une somme considérable dans votre cuisine. Nous nous faisons un devoir de vous soutenir pour que vous puissiez profiter pleinement d'une cuisine où vous pourrez exprimer toute votre créativité de nombreuses années durant.

N'hésitez pas à communiquer avec l'un des membres chevronnés de notre équipe de soutien au client si vous avez des questions ou dans le cas plutôt improbable où votre appareil THERMADOR^{MC} aurait besoin d'entretien. Notre équipe sera prête à vous aider.

É.-U. :
800-735-4328
www.thermador.com/support

Canada :
800-735-4328
www.thermador.ca

Pièces et Accessoires

Vous pouvez vous procurer par téléphone ou à notre boutique THERMADOR en ligne des pièces, des filtres, des produits nettoyants pour acier inoxydable et plus encore.

É.-U. :
www.thermador-eshop.com

Canada
Marcone 800-287-1627
or
Reliable Parts 800-663-6060

Mantenimiento

Nos damos cuenta que Usted invirtió una suma considerable en su cocina. Nos dedicamos a atenderle para que pueda sacar provecho de una cocina donde podrá expresar toda su creatividad durante muchos años.

Por favor, no dude en ponerse en contacto con uno de nuestros empleados ESTRELLAS™ de atención al cliente si tiene preguntas o en el caso más bien improbable que su aparato THERMADOR® necesite mantenimiento. Nuestro equipo estará listo para ayudarle.

EEUU:
800-735-4328
www.thermador.com/support

Canada:
800-735-4328
www.thermador.ca

Piezas y Accesorios

Usted puede comprar piezas, filtros, productos de limpieza para acero inoxidable por teléfono o en nuestra tienda THERMADOR en línea.

EEUU:
www.thermador-eshop.com

Canada:
Marcone 800-287-1627
or
Reliable Parts 800-663-6060

Thermador 

REAL INNOVATIONS FOR REAL COOKS®

1901 Main Street, Suite 600, Irvine, CA 92614 • 800-735-4328 • www.thermador.com
9001030277 • Rev. A • 5U06E1 • © BSH Home Appliances Corporation, 08/14