

USE AND CARE GUIDE

THERMADOR PROFESSIONAL® CUSTOM INSERT

GUIDE D'UTILISATION ET D'ENTRETIEN

HOTTES ENCASTRÉES SUR MESURE DE LA SÉRIE
PROFESSIONAL^{MC} DE THERMADOR

**Models/
Modèles:**

VCIN36JP
VCIN48JP
VCIN54JP
VCIB36JP
VCIB48JP
VCIB54JP

Congratulations on your recent THERMADOR® purchase! Whether you are a dedicated chef or simply a connoisseur of the art of cooking, owning a THERMADOR kitchen is the ultimate expression of personal style, good taste and an appreciation for the complete culinary experience. Our award-winning products have been empowering culinary enthusiasts for more than eleven decades.

Before you begin using your new THERMADOR product, please take a moment to review the Use and Care Guide. You will find the answers to all of your questions as well as some very important safety information. Pay special attention to the Important Safety Instructions located at the beginning of the manual. Your THERMADOR product is ready and waiting to be used for your next gourmet creation!

Our products are handcrafted with the highest quality authentic materials to ensure years of reliable service. In the unlikely event that you have a service question, please have your model and serial numbers of your product available. You can find this information located on the filter spacers of the hood after removing the filters.

We realize that you have made a considerable investment in your kitchen. Please feel free to share your THERMADOR kitchen photos and remodeling stories with us. Follow us on Twitter or post your kitchen photos on Facebook. We would love to hear from you!

THERMADOR wishes you many years of creative cooking.

Félicitations pour votre récent achat THERMADOR^{mc}! Que vous soyez un chef enthousiaste ou un simple connaisseur de l'art culinaire, le fait de posséder une cuisine THERMADOR représente l'expression ultime de votre style personnel, de votre bon goût et de votre intérêt à vivre une expérience culinaire complète. Nos produits primés permettent à des adeptes de la bonne bouffe d'atteindre de nouveaux sommets depuis plus de onze décennies.

Avant de commencer à utiliser votre nouveau produit THERMADOR, veuillez prendre un moment pour examiner ce guide d'utilisation et d'entretien. Vous trouverez des réponses à toutes vos questions ainsi que quelques renseignements essentiels en matière de sécurité. Portez une attention particulière aux Consignes de sécurité importantes se trouvant au début du guide. Votre produit THERMADOR est prêt et n'attend plus que vous l'utilisiez pour votre prochaine création gastronomique!

Nos produits sont fabriqués à la main avec des matériaux authentiques de haute qualité afin d'assurer des années de service fiable. Dans l'éventualité improbable où vous auriez une question relativement à l'entretien, veuillez avoir à la portée de la main le numéro de série et de modèle de votre produit. Vous trouverez ces renseignements sur les panneaux latéraux de la hotte, une fois que vous avez enlevé le plateau à graisse.

Nous savons bien que vous avez investi une somme considérable dans votre cuisine. N'hésitez pas à partager avec nous les photos de votre cuisine THERMADOR et les anecdotes relatives au remodelage de votre cuisine. Suivez-nous sur Twitter ou affichez des photos de votre cuisine sur Facebook. Nous serions ravis d'avoir de vos nouvelles!

THERMADOR vous souhaite de nombreuses années de gastronomie créative.

Thermador [®]
REAL INNOVATIONS FOR REAL COOKS[®]

Table of Contents

Safety	1
Before You Begin	1
Introduction	3
Operation	4
Operating the Hood	4
Hood Control Buttons	4
Care and Cleaning	6
To Clean Hood Surface	6
To Clean Filters and Trays	6
Maintenance	7
Lights	7
Service	8
Before Calling Service	8
Statement of Limited Product Warranty	9
Customer Support, Accessories & Parts	back page

Safety Definitions

 WARNING

This indicates that death or serious injuries may occur as a result of non-observance of this warning.

 CAUTION

This indicates that minor or moderate injuries may occur as a result of non-observance of this warning.

NOTICE: This indicates that damage to the appliance or property may occur as a result of non-compliance with this advisory.

Note: This alerts you to important information and/or tips.

This THERMADOR® appliance is made by
BSH Home Appliances Corporation
1901 Main Street, Suite 600
Irvine, CA 92614

Questions?
1-800-735-4328
www.thermador.com

We look forward to hearing from you!

Safety



IMPORTANT SAFETY INSTRUCTIONS READ AND SAVE THESE INSTRUCTIONS

Before you Begin

WARNING

When properly cared for, your new appliance has been designed to be safe and reliable. Read all instructions carefully before use. These precautions will reduce the risk of burns, electric shock, fire, and injury to persons. When using kitchen appliances, basic safety precautions must be followed, including these in the following pages.

INSTALLER: Please leave this guide with this unit for the owner.

OWNER: Please retain this guide for future reference.

WARNING

To reduce the risk of fire, electric shock, or injury to persons, observe the following:

- Use this unit only in the manner intended by the manufacturer. If you have questions, contact the manufacturer (800-735-4328).
- Before servicing or cleaning the unit, switch power off at service panel and lock service panel. This will prevent power from being switched on accidentally. When the service panel cannot be locked, securely fasten a prominent warning device, such as a tag to the service panel.

WARNING

To reduce the risk of a grease fire:

- Never leave surface units unattended at high settings. Boilovers cause smoking and greasy spillovers that may ignite. Heat oils slowly on low or medium settings.
- Always turn hood ON when cooking at high heat or when flambéing food (i.e. Crepes Suzette, Cherries Jubilee, Peppercorn Beef Flambe).
- Use proper pan size. Always use cookware appropriate for the size of the surface element or gas burner.

WARNING

For general ventilating use only. To avoid a fire or explosion hazard, do not use to exhaust hazardous or explosive materials or vapor.

WARNING

To reduce the risk of injury to persons, in the event of a range top grease fire, observe the following:

- Smother flames with a close-fitting lid, cookie sheet, or other metal tray, then turn off the gas burner or the electric element. Be careful to prevent burns. If the flames do not go out immediately, evacuate and call the fire department.
- Never pick up a flaming pan. You may be burned.
- Do not use water, including wet dish cloths or towels, to extinguish flames – a violent steam explosion will result.
- Use an extinguisher **ONLY** if:
 - You know you have a class ABC extinguisher and you already know how to operate it.
 - The fire is small and contained in the area where it started.
 - The fire department is being called.
 - You can fight the fire with your back to an exit.

Always have a working smoke detector near the kitchen.

Have an appropriate fire extinguisher available, nearby, highly visible and easily accessible near the cooking appliance.

Do not use water on grease fires. Smother fire or flame or use dry chemical or foam-type extinguisher.

In the event that personal clothing or hair catches fire, drop and roll immediately to extinguish flames.

WARNING

State of California Proposition 65 Warnings:

This product contains chemicals known to the State of California to cause cancer, birth defects or other reproductive harm.



IMPORTANT SAFETY INSTRUCTIONS

READ AND SAVE THESE INSTRUCTIONS

Examine the appliance after unpacking it. In the event of transport damage, do not plug it in.

Whenever possible, do not operate the ventilation system during a cooktop fire. However, do not reach through fire to turn it off.

CAUTION

Grease left on filters can re-melt and move into the vent. Clean ventilating fans frequently. Grease should not be allowed to accumulate on fan, filters or exhaust ducts.

When children become old enough to use the appliance, it is the legal responsibility of the parents or legal guardians to ensure that they are instructed in safe practices by qualified persons.

DO NOT allow anyone to climb, stand, lean, sit, or hang on any part of an appliance. This can damage the appliance and the unit may tip over, potentially causing severe injury.

DO NOT allow children to use this appliance unless closely supervised by an adult. Children and pets should not be left alone or unattended in the area where the appliance is in use. They should never be allowed to play in its vicinity, whether or not the appliance is in use.

CAUTION

Items of interest to children should not be stored in an appliance, in cabinets above an appliance, or on the Keep Hot Shelf. Children climbing on an appliance to reach items could be seriously injured.

Have the installer show you the location of the circuit breaker. Mark it for easy reference.

This appliance must be properly installed and grounded by a qualified technician. Connect only to properly grounded supply. Refer to *Installation Manual* for details.

This appliance is intended for normal family household use only. It is not approved for outdoor use. Use of this product in a commercial setting or if installed outdoors will void the warranty. If you have any questions, contact the manufacturer.

DO NOT store or use corrosive chemicals, vapors, flammables, or nonfood products in or near this appliance. It is specifically designed for use when heating or cooking food. The use of corrosive chemicals in heating or cleaning will damage the appliance and could result in injury.

DO NOT operate this appliance if it is not working properly or if it has been damaged. Contact an authorized servicer.

WARNING

Repairs should only be done by a trained servicer. Improper repair of your appliance may result in risk of severe physical injury or death.

DO NOT repair or replace any part of the appliance unless specifically recommended in this manual. Refer all servicing to a factory authorized service center.

WARNING



Halogen lights might be hot. Disconnect from power and allow to cool before servicing.

Introduction

Before using your appliance, be sure to read this manual. Pay special attention to the **Important Safety Instructions**.

This manual provides information for two styles of THERMADOR PROFESSIONAL® custom insert hoods:

- **VCINxxJP** — 22" (559 mm) in depth, and with widths of 33¾" (857 mm), 45¾" (1,162 mm) or 51¾" (1,315 mm). This model series features brushed stainless-steel filters and halogen lights.
- **VCIBxxJP** — 24¾" (629 mm) in depth, and with widths of 40½" (1,029 mm), 52½" (1,334 mm) or 58½" (1,486 mm). This model series features brushed stainless-steel filters, halogen lights, hood liner, and a 1000 CFM integral blower.

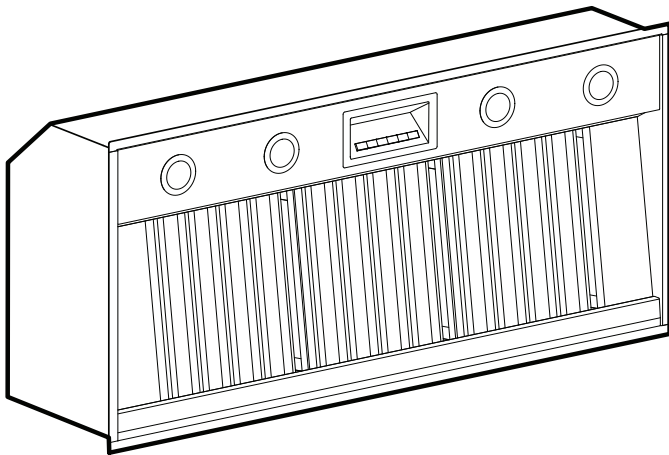


Figure 1: Custom Insert

All VCINxxJP hoods require the choice of a remote, inline, or integral blower. Use only THERMADOR blowers with THERMADOR ventilation hoods. See the *Ventilation Planning Guide* for recommended blowers. Contact Customer Service for additional options.

All hood models are rated for 120 VAC, using a 15 amp circuit breaker; see the *Installation Manual* for more details.

Blower	SKU	Voltage (Ac)	Blower Current (Amps)	**Circuit Breaker (Amps)
Integral	VTN630*	120	2.7	15
Integral	VTN1030*	120	5.4	15
Remote	VTR630*	120	4.2	15
Remote	VTR1030*	120	5.7	15
Remote	VTR1330*	120	8.5	15
Inline	VTI610*	120	4.2	15
Inline	VTI1010*	120	5.7	15

* Indicates a letter designating the release year.

** With blower installed.

Operation

Operating the Hood

For the best results, the blower should be turned on for about 5 minutes before cooking in order to establish air currents upward through the hood. Thus when heat, smoke, moisture, grease and cooking odors are produced, they will be carried outside instead of drifting into other rooms. Use the low speeds for normal use and the higher speed for strong odors or fumes.

Drafts across the range or cooktop will reduce the effectiveness of the hood. Such drafts should be prevented when possible.

Ventilation in the kitchen is most efficient when where the only air currents are those created by the blower itself.

Hood Control Buttons

Custom Insert Control Panel

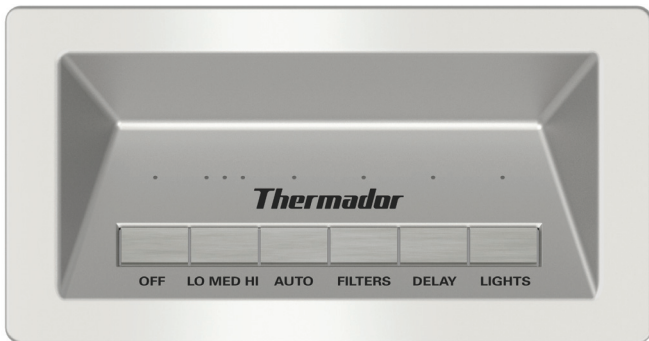


Figure 2: Custom Insert Control Panel

Remote Control Panel (optional)

The optional wall-mounted remote control panel provides light and blower control from a more accessible location. Refer to the *Remote Control Installation Instruction* for detailed instructions.



Figure 3: Remote Control Panel

Off

Pressing the button once turns the blower off and resets the control.

Fan Speed

Pressing the button once, from an “off” state, turns the blower on low. Each successive press of the button increases the fan speed until HIGH speed is reached, then the fan cycles back to the low speed.

The LEDs above this button indicate the current fan speed. When the fan is on, the corresponding LED is illuminated.

- 1 — LOW
- 2 — MED
- 3 — HIGH

Pressing the OFF button once turns the blower off and resets the control.

Auto (custom insert control panel only)

When in Auto mode, the hood automatically turns the blower on, depending on the amount of heat the control senses. It automatically adjusts every 5 minutes. If the control does not sense a high level of heat, it will turn the blower off.

Auto feature is disabled if a remote control is installed.

Clean Filter Reminder

After 40 hours of operation, the clean filter reminder LED above this button will illuminate indicating that the filters need to be cleaned. When this indicator illuminates, clean the filters as instructed on *page 6*. After cleaning, press this button for 3 seconds to reset the 40-hour period and turn the LED off.

Delay (shut off)

If the blower is off when the DELAY button is pressed, the blower will turn on to the HIGH speed setting for 10 minutes. At the end of the cycle the blower will turn off.

If the blower is on when the DELAY button is pressed, the blower runs for 10 minutes at the current speed then turns off.

During the 10 minute timed period, the LED above the DELAY button is illuminated.

To interrupt a timed period, press fan speed or OFF button.

Lights

This button controls the halogen lighting. The first press turns the lights on. A second press dims the lights. A third press turns the lights off.

- 1 — ON
- 2 — DIM
- 3 — OFF

Heat Sensor (custom insert control panel only)

Heat sensor feature is disabled if a remote control is installed.

Over-temperature Condition

The high temperature sensor protects the hood from high temperatures which may damage components. The control is set to activate at 161°F (72°C) and reset at 140°F (60°C). When activated, the blower will turn on low and the corresponding LED will blink, indicating an over-temperature condition.

While the high temperature sensor is activated, the blower speed can be changed or turned off. If the blower is turned off, the corresponding LED will blink. Light controls will remain operational. When the control sensor reaches 140°F (60°C), a reset will occur. During reset, the control will revert back to the operational state prior to the high temperature condition.

High Temperature Fault Condition

The circuit is equipped with an alarm indicating that the heat sensor protection is not working due to a damaged sensor. In the case of this extreme condition, the three fan speed indicator LEDs will start blinking. All the controls will be operational except for the speed indicators.

Care and Cleaning

To Clean Hood Surface

WARNING

Be sure the entire appliance (including the grease filters and light bulbs) has cooled and grease has solidified before attempting to clean any part of the appliance.

- For general care, wipe the outside of the stainless steel with mild, lukewarm, soapy water. Always wipe and dry in the direction of the stainless steel grain.
- Wipe and dry stainless steel in the same direction as the grain. Avoid using too much pressure, which may mar the surface.
- **DO NOT** use abrasive products such as steel wool.
- **DO NOT** use cellulose sponges. Some sponges are processed with salt and can cause corrosion by leaving salt deposits on the metal.
- **DO NOT** allow any cleaning compounds to remain in contact with stainless steel for extended periods.
- **DO NOT USE CHLORINE-BASED CLEANERS.**
- To remove fingerprints and produce added shine, use a stainless steel cleaner or conditioner. The THERMADOR Stainless Steel Conditioner can be purchased online (US only) at: www.thermador-eshop.com (order part number 00576697).

NOTICE: The use of brand names is intended only to indicate a type of cleaner. This does not constitute an endorsement. The omission of any brand name cleaner does not imply its adequacy or inadequacy. Many products are regional in distribution and can be found in the local markets. It is imperative that all products be used in strict accordance with instructions on the package.

To Clean Filters, Filter Spacers, and Grease Trays

Your hood has removable stainless steel filters, stainless steel filter spacers, and stainless steel grease trays. They must be cleaned when the filter light illuminates on the control panel or whenever they collect grease. When used over a grill, wok or other high grease applications, more frequent cleaning may be required.

Soak the ventilation filters in hot water using a mild detergent. Rinse well and shake to dry. Slight discoloration can occur when cleaning the filters in a dishwasher. This has no influence on functioning of the grease filters.

To Remove Filters, Filter Spacers, and Grease Trays

- Turn the fan and lights off. Be sure filters are cool and grease has congealed before removal.
- Remove in the following order:
 1. **Filters** — start with center filters, push up, then pull out from the bottom. Depending upon the size and model of hood, there will be 2, 3, or 4 filters per hood.
 2. **Filter Spacers** — push up, then pull out from the bottom.
 3. **Grease Trays** — lift up and out. The grease trays must be in place before installing the filters. Depending upon the size and model of hood, there will be from 2 or 3 grease trays per hood.
- Reverse the above directions to reinsert the grease trays, filter spacers, and filters.
- The rating label and serial number labels are on the hood filter spacers and are visible after the filters have been removed (*Figure 6 on page 8*).
- The filters, filter spacers, and grease trays can be washed by hand or in the dishwasher. The front and sides of the appliance may be washed with warm soapy water and polished with stainless steel cleaner.

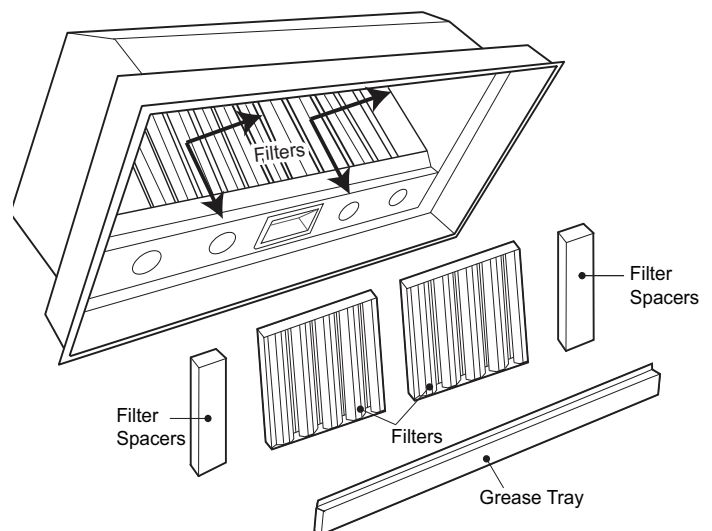


Figure 4: The hood and parts

NOTICE: Do not use cooktop, rangetop, or range while hood is disassembled.

Maintenance

Lights

Turn off the lights and blower. Allow the lights to cool before handling. If new lights do not operate, be sure lights are inserted correctly before calling for service.

⚠ CAUTION

Turn power off at breaker before removing a damaged bulb. Do not touch the bulbs immediately after use. The bulbs will remain hot for several minutes.

⚠ WARNING

- Make sure the appliance and the lights are cool and power to the appliance has been turned off before replacing the light bulb(s). Failure to do so could result in electrical shock or burns.
- The lenses must be in place when using the appliance.
- The lenses serve to protect the light bulb from breaking.
- The lenses are made of glass. Handle carefully to avoid breaking. Broken glass can cause an injury.

Halogen Light Replacement

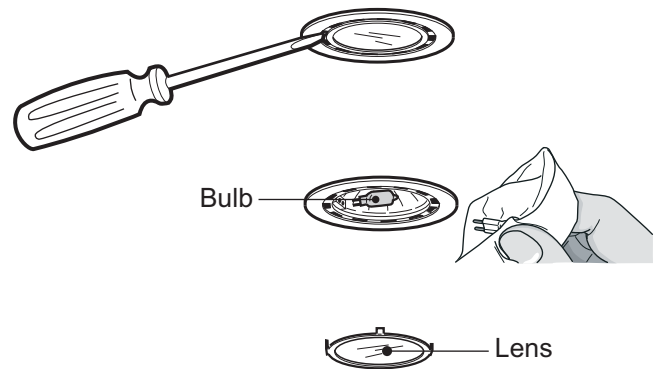


Figure 5: Halogen Light Replacement

1. Using a flat edge from a screwdriver or equivalent tool, pry loose the lens cover, as shown in *Figure 5*.
2. Pull damaged bulb straight out from the socket to remove.
3. Replace with a new 120 V, 40W (maximum) bulb with G-9 base. Press pins in bulb base straight into socket until fully seated. Follow package directions and do not touch new light with bare hands; the oils from your skin can reduce the longevity of the bulb.
4. Reinstall the lens cover.

Service

Before Calling Service

Use the suggestions in the table below before calling for service to avoid service charges.

Problem	Suggested Solution
Noise during operation	Some noise is normal do to vibration and air movement. Excessive noise could indicate one of the following: a) ductwork is too small / undersized b) ductwork is too large / oversized c) ductwork is loose d) transition is too small or is loose e) wood screws are not fully tightened f) loose screws in trim parts, etc. Check <i>Installation Manual</i> to verify that ductwork is the proper size. Tighten screws.
Noise when unit is off	Backflow flap on outside of duct wall cap moves with the wind. This is normal.
Fan blower does not work	a) Power supply is insufficient. b) Electrical wiring is incorrectly connected. See <i>Installation Manual</i> for further information.
Lights hum	A slight hum is normal.
Hood trips breaker	a) Electrical wiring is incorrectly connected. b) Circuit is not sufficient. See <i>Installation Manual</i> for further information.

Table 1: Troubleshooting

How to Obtain Service or Parts

We want you to remain a satisfied customer. If a problem comes up that cannot be resolved to your satisfaction please let us know. Whether you write or call, please provide us with the Model Number, Serial Number and Date of Original Purchase or Installation.

To reach a service representative, see the contact information on the back page of the manual. Please be prepared with the information printed on your product data plate when calling.

Product Data Rating Plate

The data rating plate shows the model and serial number. Refer to the data plate on the appliance when requesting service. It is located on the frame behind the filter. Remove the filter to view it.

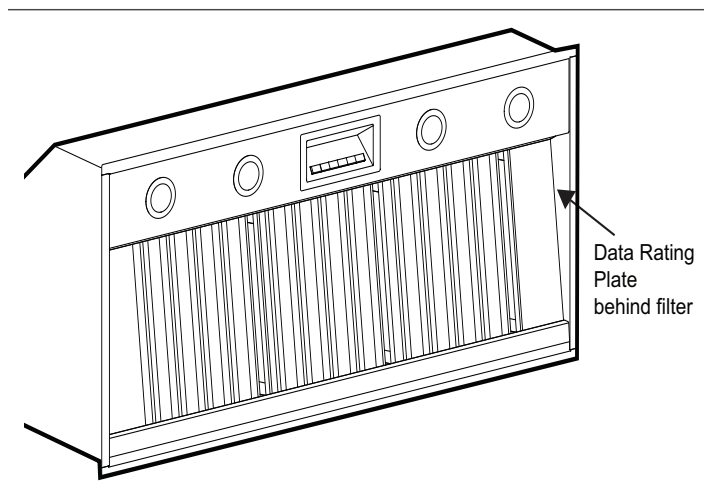


Figure 6: Data Rating Plate Location

STATEMENT OF LIMITED PRODUCT WARRANTY

What this Warranty Covers & Who it Applies to

The limited warranty provided by BSH Home Appliances Corporation (BSH) in this Statement of Limited Product Warranty applies only to the THERMADOR® appliance sold to you, the first using purchaser, provided that the Product was purchased:

- For your normal, household (non-commercial) use, and has in fact at all times only been used for normal household purposes.
- New at retail (not a display, "as is", or previously returned model), and not for resale, or commercial use.
- Within the United States or Canada, and has at all times remained within the country of original purchase.

The warranties stated herein apply only to the first purchaser of the Product and are not transferable.

Please make sure to return your registration card; while not necessary to effectuate warranty coverage, it is the best way for BSH to notify you in the unlikely event of a safety notice or product recall.

How Long the Warranty Lasts

Product built preceding January 1, 2012 with a number of FD911299999 or lower: BSH warrants that the Product is free from defects in materials and workmanship for a period of three hundred and sixty-five (365) days from the date of purchase. The foregoing timeline begins to run upon the date of purchase, and shall not be stalled, tolled, extended, or suspended, for any reason whatsoever.

Product built subsequent to January 1, 2012 with a number of FD920100000 or higher: BSH warrants that the Product is free from defects in materials and workmanship for a period of seven hundred and thirty (730) days from the date of purchase. The foregoing timeline begins to run upon the date of purchase, and shall not be stalled, tolled, extended, or suspended, for any reason whatsoever.

This Product is also warranted to be free from cosmetic defects in material and workmanship (such as scratches of stainless steel, paint/porcelain blemishes, chip, dents, or other damage to the finish of the Product, for a period of sixty (60) days from the date of purchase or closing date for new construction. This cosmetic warranty excludes slight color variations due to inherent differences in painted and porcelain parts, as well as differences caused by kitchen lighting, product location, or other similar factors. This

cosmetic warranty specifically excludes any display, floor, "As Is", or "B" stock appliances.

Repair/Replace as Your Exclusive Remedy

During this warranty period, BSH or one of its authorized service providers will repair your Product without charge to you (subject to certain limitations stated herein) if your Product proves to have been manufactured with a defect in materials or workmanship. If reasonable attempts to repair the Product have been made without success, then BSH will replace your Product (upgraded models may be available to you, in the sole discretion of BSH, for an additional charge). All removed parts and components shall become the property of BSH at its sole option. All replaced and/or repaired parts shall assume the identity of the original part for purposes of this warranty and this warranty shall not be extended with respect to such parts. BSH's sole liability and responsibility hereunder is to repair manufacturer-defective Product only, using a BSH-authorized service provider during normal business hours. For safety and property damage concerns, BSH highly recommends that you do not attempt to repair the Product yourself, or use an un-authorized servicer; BSH will have no responsibility or liability for repairs or work performed by a non-authorized servicer. If you choose to have someone other than an authorized service provider work on your Product, THIS WARRANTY WILL AUTOMATICALLY BECOME NULL AND VOID. Authorized service providers are those persons or companies that have been specially trained on BSH products, and who possess, in BSH's opinion, a superior reputation for customer service and technical ability (note that they are independent entities and are not agents, partners, affiliates or representatives of BSH). Notwithstanding the foregoing, BSH will not incur any liability, or have responsibility, for the Product if it is located in a remote area (more than 100 miles from an authorized service provider) or is reasonably inaccessible, hazardous, threatening, or treacherous locale, surroundings, or environment; in any such event, if you request, BSH would still pay for labor and parts and ship the parts to the nearest authorized service provider, but you would still be fully liable and responsible for any travel time or other special charges by the service company, assuming they agree to make the service call.

Out of Warranty Product

BSH is under no obligation, at law or otherwise, to provide you with any concessions, including repairs, pro-rates, or Product replacement, once this warranty has expired.

Warranty Exclusions

The warranty coverage described herein excludes all defects or damage that are not the direct fault of BSH, including without limitation, one or more of the following:

- Use of the Product in anything other than its normal, customary and intended manner (including without limitation, any form of commercial use, use or storage of an indoor product outdoors, use of the Product in conjunction with air or water-going vessels).
- Any party's willful misconduct, negligence, misuse, abuse, accidents, neglect, improper operation, failure to maintain, improper or negligent installation, tampering, failure to follow operating instructions, mishandling, unauthorized service (including self-performed "fixing" or exploration of the appliance's internal workings).
- Adjustment, alteration or modification of any kind.
- A failure to comply with any applicable state, local, city, or county electrical, plumbing and/or building codes, regulations, or laws, including failure to install the product in strict conformity with local fire and building codes and regulations.
- Ordinary wear and tear, spills of food, liquid, grease accumulations, or other substances that accumulate on, in, or around the Product.
- Any external, elemental and/or environmental forces and factors, including without limitation, rain, wind, sand, floods, fires, mud slides, freezing temperatures, excessive moisture or extended exposure to humidity, lightning, power surges, structural failures surrounding the appliance, and acts of God.

In no event shall BSH have any liability or responsibility whatsoever for damage to surrounding property, including cabinetry, floors, ceilings, and other structures or objects around the Product. Products on which the serial numbers have been altered, defaced, or removed; service visits to teach you how to use the Product, or visits where there is nothing wrong with the Product; correction of installation problems (you are solely responsible for any structure and setting for the Product, including all electrical, plumbing or other connecting facilities, for proper foundation/flooring, and for any alterations including without limitation cabinetry, walls, floors, shelving, etc.); and resetting of breakers or fuses.

TO THE EXTENT ALLOWED BY LAW, THIS WARRANTY SETS OUT YOUR EXCLUSIVE REMEDIES WITH RESPECT TO PRODUCT, WHETHER THE CLAIM ARISES IN CONTRACT OR TORT (INCLUDING STRICT LIABILITY, OR NEGLIGENCE) OR OTHERWISE. THIS WARRANTY IS IN LIEU OF ALL OTHER WARRANTIES, WHETHER EXPRESS OR IMPLIED. ANY WARRANTY IMPLIED BY LAW, WHETHER FOR MERCHANTABILITY OR FITNESS FOR A PARTICULAR PURPOSE, OR OTHERWISE, SHALL BE EFFECTIVE ONLY FOR THE PERIOD THAT THIS EXPRESS LIMITED WARRANTY IS EFFECTIVE. IN NO EVENT WILL THE MANUFACTURER

BE LIABLE FOR CONSEQUENTIAL, SPECIAL, INCIDENTAL, INDIRECT, "BUSINESS LOSS", AND/OR PUNITIVE DAMAGES, LOSSES, OR EXPENSES, INCLUDING WITHOUT LIMITATION TIME AWAY FROM WORK, HOTELS AND/OR RESTAURANT MEALS, REMODELLING EXPENSES IN EXCESS OF DIRECT DAMAGES WHICH ARE DEFINITELY CAUSED EXCLUSIVELY BY BSH, OR OTHERWISE. SOME STATES DO NOT ALLOW THE EXCLUSION OR LIMITATION OF INCIDENTAL OR CONSEQUENTIAL DAMAGES, AND SOME STATES DO NOT ALLOW LIMITATIONS ON HOW LONG AN IMPLIED WARRANTY LASTS, SO THE ABOVE LIMITATIONS MAY NOT APPLY TO YOU. THIS WARRANTY GIVES YOU SPECIFIC LEGAL RIGHTS, AND YOU MAY ALSO HAVE OTHER RIGHTS WHICH VARY FROM STATE TO STATE.

No attempt to alter, modify or amend this warranty shall be effective unless authorized in writing by an officer of BSH.

We reserve the right to make changes in the product or this manual without notification.

Service Information

For handy reference, copy the information below from the data rating plate located on the frame, behind the filter. Keep your invoice for Warranty validation.

Model Number _____

Serial Number _____

Date of Purchase _____

Also, enter this information on the Product Registration Form included with this product. Register your BSH product to ensure timely service and access to your product related information. You may register your product through one of the following ways:

1. Mail in the completed THERMADOR® Product Registration card as indicated above.
2. Register your product online at www.thermador.com.
3. Call us at THERMADOR customer service at 1-800-735-4328.

Table des matières

Consignes de sécurité	1
Avant de commencer	1
Introduction	3
Fonctionnement	4
Fonctionnement de la hotte	4
Boutons de commande de la hotte	4
Entretien et nettoyage	6
Nettoyage des surfaces de la hotte	6
Nettoyage des filtres et des plateaux	6
Entretien	8
Lumières	8
Service	9
Avant d'appeler pour du service	9
Énoncé de la garantie limitée du produit	10
Entretien, pièces et accessoires	dernière page

Définitions concernant la sécurité

AVERTISSEMENT

Ceci indique que le non respect de cet avertissement peut entraîner des blessures graves, voire la mort.

ATTENTION

Ceci indique que le non respect de cet avertissement peut entraîner des blessures légères ou modérées.

AVIS : Ceci indique que la non-conformité à cet avis de sécurité peut entraîner des dégâts à l'appareil ou à la propriété.

Note : Ceci vous avertit que d'importantes informations et/ou conseils sont fournis.

Cet appareil électroménager de THERMADOR^{mc}
est fait par BSH Home Appliances Ltd
6696 Financial Drive, Unit 3
Mississauga, ON L5N 7J6

Des questions?

1-800-735-4328

www.thermador.ca

Nous attendons de vos nouvelles!

Consignes de sécurité



CONSIGNES DE SÉCURITÉ IMPORTANTES LISEZ ET CONSERVEZ CES INSTRUCTIONS

Avant de commencer

AVERTISSEMENT

Votre nouvel appareil a été conçu pour un fonctionnement sûr et fiable si vous en prenez bien soin. Lire attentivement toutes les consignes avant l'emploi. Ces précautions réduiront les risques de brûlures, de choc électrique, d'incendie et de lésions corporelles. Lors de l'utilisation d'appareils de cuisine, il est impératif de respecter les mesures de sécurité élémentaires, y compris celles figurant aux pages suivantes.

PROPRIÉTAIRE : Veuillez conserver ces instructions pour consultation ultérieure.

INSTALLATEUR : Veuillez laisser ces instructions d'installation avec l'appareil pour le propriétaire.

AVERTISSEMENT

Pour réduire les risques de blessure lors d'un incendie sur la surface de cuisson, observez les consignes suivantes :

- Éteignez les flammes avec un couvercle, une plaque à biscuits ou un plateau de métal et éteignez ensuite le brûleur. Faites attention pour ne pas vous brûler. Si les flammes ne disparaissent pas immédiatement, évacuez les lieux et appelez le service d'incendie.
- Ne prenez jamais un poêlon en feu – vous pourriez vous brûler.
- N'utilisez pas d'eau ou un linge à vaisselle mouillé pour éteindre des flammes – une violente explosion de vapeur s'ensuivra.
- Utilisez un extincteur seulement si :
 - a) Vous savez que vous possédez un extincteur de classe ABC et vous savez vous en servir.
 - b) Le feu est faible et ne s'est pas répandu depuis son point d'origine.
 - c) Vous avez appelé le service d'incendie.
 - d) Vous pouvez sortir facilement de l'endroit où vous combattez le feu.

AVERTISSEMENT

Pour ventilation générale seulement. Pour éviter tout risque d'incendie ou d'explosion, n'utilisez pas cet appareil pour évacuer des vapeurs et des matériaux explosifs ou dangereux.

AVERTISSEMENT

Pour réduire les risques d'incendie, de décharge électrique ou de blessure, respectez ces consignes :

- e) N'utilisez cet appareil que de la manière prévue par le fabricant. Si vous avez des questions, communiquez avec le fabricant (800-735-4328).
- f) Avant de procéder au nettoyage ou à l'entretien de l'appareil, éteignez l'alimentation du panneau électrique et bloquez le dispositif de déconnexion pour éviter que l'alimentation électrique ne soit accidentellement rallumée. Si le dispositif de sectionnement d'électricité ne peut être bloqué, attachez un avertissement (comme une étiquette) bien en vue sur le tableau électrique.

AVERTISSEMENT

Pour réduire les risques de feu de friture :

- a) Ne laissez jamais l'appareil sans surveillance lors de son utilisation à haute température. Les débordements par bouillonnement causent de la fumée et des déversements de graisse qui peuvent prendre feu. Faites chauffer l'huile à des températures basses ou moyennes.
- b) Allumez toujours la hotte lorsque vous cuisinez à haute température ou que vous faites flamber des aliments (c.-à-d. crêpes Suzette, cerises jubilé, bœuf flambé au poivre).
- c) Utilisez des poêlons aux dimensions adéquates. Utilisez toujours une batterie de cuisine correspondant aux dimensions de l'élément ou du brûleur.

AVERTISSEMENT

Les réparations doivent être effectuées uniquement par un personnel d'entretien formé. Toute réparation inadéquate de votre appareil peut entraîner un risque de blessure grave ou de mort.



CONSIGNES DE SÉCURITÉ IMPORTANTES

LISEZ ET CONSERVEZ CES INSTRUCTIONS

Examinez l'électroménager après l'avoir déballé. Dans l'éventualité de dommages en cours de transport, ne branchez pas l'électroménager.

Assurez-vous qu'il y a un détecteur de fumée fonctionnel près de la cuisine.

Ayez un extincteur approprié à portée de la main, visible et facile d'accès, tout près de l'appareil de cuisson.

N'utilisez jamais de l'eau pour éteindre des aliments en feu. Étouffez les flammes avec des extincteurs à poudre sèche ou à mousse.

Si vos vêtements ou vos cheveux prennent feu, jetez-vous immédiatement par terre et roulez pour éteindre les flammes.

Dans la mesure du possible, ne faites pas fonctionner le système de ventilation lorsqu'il y a un feu sur la surface de cuisson. Cependant, ne tentez pas de l'éteindre en passant votre main dans le feu.

ATTENTION

La graisse qui s'accumule sur les filtres peut fondre et se déplacer dans les conduits d'aération. Nettoyez fréquemment les ventilateurs. Ne laissez pas la graisse s'accumuler sur le ventilateur, les filtres et les conduits d'aération.

Lorsque les enfants sont assez âgés pour utiliser l'appareil, il est de la responsabilité légale des parents ou des tuteurs de veiller à ce que des personnes qualifiées leur enseignent des pratiques sécuritaires.

Ne laissez personne monter, s'asseoir ou s'appuyer sur une partie quelconque de l'appareil, car cela pourrait endommager l'appareil, qui pourrait basculer et provoquer de graves blessures.

Ne laissez pas d'enfants utiliser cet appareil à moins qu'un adulte exerce une surveillance étroite. Ne laissez pas d'enfants ou d'animaux seuls ou sans surveillance dans une pièce où des appareils fonctionnent. Ils ne devraient pas être autorisés à jouer près de l'appareil, qu'il soit en cours d'utilisation ou non.

Demandez à l'installateur de vous montrer l'emplacement du disjoncteur. Marquez-le pour qu'il soit facile à identifier.

L'appareil doit être adéquatement installé et mis à la terre par un technicien qualifié. Ne le branchez qu'à une alimentation électrique avec une mise à la terre adéquate. Consultez le manuel d'installation pour plus de détails.

ATTENTION

Ne rangez pas d'objets attirant l'attention d'enfants dans un appareil, dans une armoire au-dessus d'un appareil ou sur l'étagère garde-chaud. Ils risqueraient d'y monter pour s'en emparer et pourraient se blesser gravement.

Cet appareil est conçu pour une utilisation ménagère normale seulement. Il n'est pas approuvé pour une utilisation à l'extérieur. La garantie s'annulera si ce produit est utilisé dans un environnement commercial ou s'il est installé à l'extérieur. Si vous avez des questions, appelez le fabricant.

N'entrez pas et n'utilisez pas des gaz et des produits chimiques, des produits inflammables ou non alimentaires dans cet appareil ou près de cet appareil. Il est spécifiquement conçu pour être utilisé lorsque vous faites chauffer ou cuire des aliments. L'utilisation de produits corrosifs lorsque l'appareil chauffe ou lorsque vous le nettoyez endommagera l'appareil et pourrait causer une blessure corporelle.

N'utilisez pas cet appareil s'il ne fonctionne pas correctement ou s'il a été endommagé. Communiquez avec une agence autorisée.

Ne réparez et ne remplacez aucune pièce de l'appareil à moins que le manuel ne recommande expressément de le faire. Confiez toutes les réparations à une agence autorisée du fabricant.

AVERTISSEMENT



Les lampes halogènes peuvent être très chaudes. Avant de procéder à l'entretien de l'appareil, coupez l'alimentation électrique et laissez-leur le temps de refroidir.

AVERTISSEMENT

Avertissements de la Proposition 65 de l'État de la Californie :

Ce produit contient des produits chimiques connus de l'État de la Californie pour causer le cancer, des anomalies congénitales ou d'autres problèmes de reproduction.

Introduction

Avant d'utiliser votre appareil, assurez-vous de lire ce guide. Portez une attention particulière aux *Consignes de sécurité importantes* commençant à la page 1 du guide.

Ce manuel fournit des renseignements sur deux types de hottes encastrées sur mesure PROFESSIONAL^{mc} de THERMADOR :

- **VCINxxJP** : 22 po (559 mm) de profondeur, et largeurs de 33,75 po (857 mm), 45,75 po (1162 mm) ou 51,75 po (1315 mm). Les modèles de cette série sont munis de filtres en acier inoxydable brossé et de lampes halogènes.
- **VCIBxxJP** : 24³/₄ po (629 mm) de profondeur, et largeurs de 40,5 po (1029 mm), 52,5 po (1334 mm) ou 58,5 po (1486 mm). Les modèles de cette série sont munis de filtres en acier inoxydable brossé, de lampes halogènes, d'une cuve intérieure et d'un ventilateur intégré de 1000 pi³/min.

Tous les modèles de hottes sont de régime 120 VCA et doivent être branchés à un disjoncteur de 15 ampères. Consultez le *manuel d'installation* pour plus de détails.

Toutes les hottes VCINxxJP doivent être installées avec un ventilateur à distance, un ventilateur de conduit ou un ventilateur intégré. N'utilisez que les ventilateurs THERMADOR^{mc} avec les hottes THERMADOR. Consultez le *Guide de Planification de Ventilation* pour connaître les modèles de ventilateurs recommandés. Communiquez avec le service à la clientèle pour d'autres options.

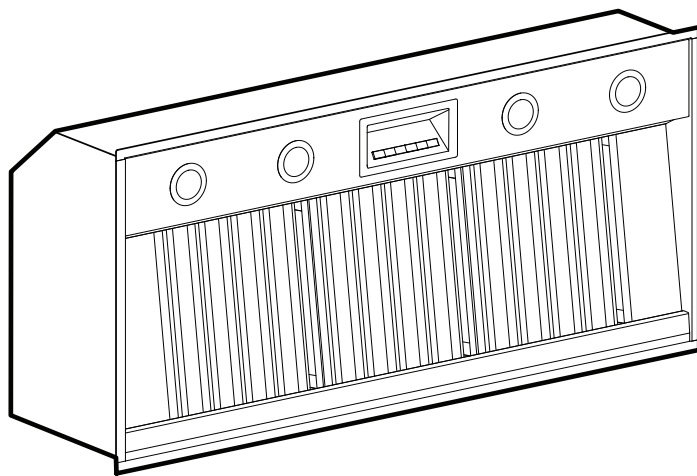


Figure 1 : Hotte encastrée sur mesure avec cuve intérieure

Ventila- teur	Modèle	Tension (CA)	Courant vent. (AMP)	Disjoncteur (AMP)**
Distance	VTR630*	120	4,2	15
Distance	VTRI030*	120	5,7	15
Distance	VTR1330*	120	8,5	15
Conduit	VTI610*	120	4,2	15
Conduit	VTI1010*	120	5,7	15
Intégré	VTN630*	120	2,7	15
Intégré	VTN1030*	120	5,4	15

* Indique une lettre désignant l'année de mise en marché.
** Avec le ventilateur installé.

Fonctionnement

Fonctionnement de la hotte

Pour obtenir des résultats optimaux, vous devriez allumer le ventilateur environ cinq minutes avant de commencer à cuisiner pour établir des courants d'air vers le haut par le biais de la hotte. Ainsi, lorsque de la chaleur, de la fumée, de l'humidité, de la graisse et des odeurs de cuisson seront produites, elles seront évacuées à l'extérieur de la maison au lieu de se répandre dans d'autres salles. Utilisez les réglages bas pour une utilisation normale et les vitesses élevées pour les fortes odeurs et la fumée intense.

Les rafales qui passent au-dessus de la cuisinière ou de la table de cuisson réduisent l'efficacité de la hotte. Lorsqu'il est possible de le faire, ces rafales doivent être contrôlées.

La ventilation est à son mieux dans une cuisine lorsque les seuls courants d'air sont ceux que crée la hotte.

Boutons de contrôle de la hotte

Tableau de commande de la hotte encastrée sur mesure

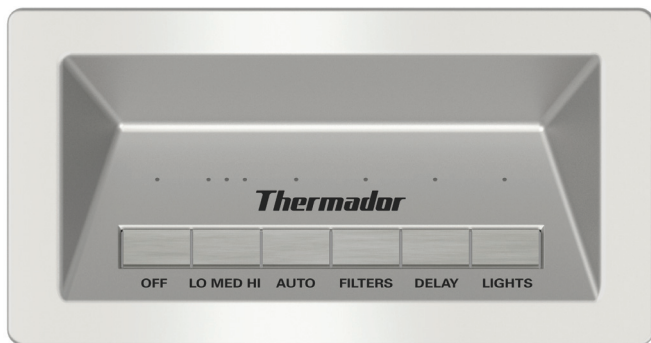


Figure 2 : Tableau de commande de la hotte encastrée sur mesure

Panneau de télécommande (optionnel)

Le panneau de télécommande mural optionnel fournit des commandes pour les lumières et le ventilateur à un emplacement plus facile d'accès.

Consultez les instructions d'installation de la télécommande pour obtenir plus de détails.



Figure 3 : Panneau de télécommande

Off (Hors champ)

Le ventilateur s'éteint et les commandes sont réinitialisées lorsque vous appuyez sur ce bouton.

Fan Speed (Vitesse du ventilateur)

En appuyant sur ce bouton lorsque la hotte est éteinte, le ventilateur s'allume à la vitesse basse. Chaque fois que vous appuyez sur le bouton, la vitesse du ventilateur augmente jusqu'à ce que la haute vitesse soit atteinte. Le ventilateur retourne alors à la vitesse basse.

Les DEL au-dessus de ce bouton indiquent la vitesse actuelle du ventilateur. Lorsque le ventilateur est allumé, la DEL correspondant à la vitesse sélectionnée s'illumine.

- 1 — LOW (Basse)
- 2 — MEDIUM (Moyenne)
- 3 — HIGH (Haute)

Le ventilateur s'éteint et les commandes sont réinitialisées lorsque vous appuyez sur ce OFF bouton.

Auto (seulement sur le tableau de commande des hottes encastrées sur mesure)

Lorsqu'elle est en mode Auto, la hotte allume automatiquement le ventilateur en fonction de la quantité de chaleur que le capteur détecte. Elle s'ajuste automatiquement toutes les cinq minutes. Si le capteur ne sent pas une grande quantité de chaleur, le ventilateur s'éteint.

Cette fonction se désactive lors de l'installation d'une télécommande.

Rappel de nettoyage des filtres

Après 40 heures d'utilisation, la DEL de rappel de nettoyage des filtres s'allume pour indiquer que les filtres doivent être nettoyés. Lorsque cet indicateur s'allume, nettoyez les filtres conformément aux instructions de la page 6. Après les avoir nettoyés, appuyez sur ce bouton pendant trois secondes pour réinitialiser la période de 40 heures et éteindre la DEL.

Delay (Arrêt à retardement)

Si le ventilateur est éteint lorsque vous appuyez sur la touche Delay, le ventilateur s'allumera à haute vitesse pendant dix minutes puis s'éteindra à la fin du cycle.

S'il est allumé lorsque vous appuyez sur la touche Delay, il fonctionnera pendant dix minutes à la vitesse à laquelle il fonctionnait avant de s'éteindre.

Pendant une période déterminée, la DEL au-dessus de la touche Delay est illuminée.

Pour interrompre une période déterminée, appuyez sur Fan Speed ou sur la touche Off.

Lights (Lumières)

Ce bouton contrôle l'éclairage halogène. En appuyant une fois, la lumière s'allume, en appuyant deux fois, la lumière est en mode veilleuse et en appuyant une troisième fois, elle s'éteint.

- 1 — ON (Allumer)
- 2 — DIM (Mettre en veilleuse)
- 3 — OFF (Éteindre)

Heat Sensor (Capteur de chaleur – seulement sur le tableau de commande des hottes encastrées sur mesure)

Cette fonction se désactive lors de l'installation d'une télécommande.

Situation de surchauffe

Le capteur de surchauffe protège la hotte contre les hautes températures qui pourraient endommager certaines de ses composantes. La commande est conçue pour s'activer à 161°F (72°C) et se réinitialiser à 140°F (60°C). Lorsqu'il est activé, le ventilateur s'allume à la vitesse basse et la DEL correspondante clignote, indiquant une situation de surchauffe.

Fonction de température élevée de substitution

Le circuit est muni d'une alarme qui indique que la protection du capteur de chaleur ne fonctionne pas, car celui-ci est endommagé. Dans les cas de situation extrême, les trois indicateurs de vitesse DEL se mettront à clignoter. Toutes les commandes seront fonctionnelles, sauf les indicateurs de vitesse.

Entretien et nettoyage

Nettoyage de la surface de la hotte

AVERTISSEMENT

Assurez-vous que la totalité de l'appareil (y compris les filtres à graisse et les ampoules) ont refroidi et que la graisse s'est solidifiée avant de nettoyer l'une ou l'autre pièce de l'appareil.

- Pour un entretien général, frottez l'acier inoxydable avec un linge trempé dans de l'eau savonneuse tiède. Frottez et séchez toujours l'acier inoxydable dans le sens du grain.
- Frottez et séchez l'acier inoxydable dans le sens du grain. Pour ne pas rayer la surface, évitez de trop mettre de pression.
- N'utilisez pas de produits abrasifs, comme des laines d'acier.
- N'utilisez PAS d'éponges en cellulose. Certaines éponges sont traitées avec du sel et peuvent causer de la corrosion en laissant des dépôts de sel sur le métal.
- Ne laissez pas les produits nettoyants rester en contact avec l'acier inoxydable durant de longues périodes.
- **N'UTILISEZ PAS DE PRODUITS NETTOYANTS À BASE DE CHLORE.**
- Pour enlever les traces de doigt et ajouter du brillant, utilisez un produit nettoyant pour acier inoxydable. Vous pouvez vous procurer en ligne le produit pour acier inoxydable de Thermador (É.-U. seulement) : www.thermador-eshop.com (numéro de produit : 00576697).

AVIS :

Les marques de produits mentionnées ne servent qu'à indiquer un type de produit nettoyant et non à en faire la promotion. L'omission d'une marque ne signifie pas qu'elle convient ou ne convient pas. De nombreux produits sont distribués régionalement et il est possible de les trouver dans les marchés locaux. Il est essentiel que les produits soient utilisés conformément à leur mode d'emploi.

Nettoyage des filtres, des panneaux latéraux et du plateau à graisse

Votre hotte est munie de filtres en acier inoxydable amovibles, de panneaux latéraux en acier inoxydable et d'un plateau à graisse en acier inoxydable. Vous devez nettoyer ces pièces lorsque le témoin des filtres s'allume sur le tableau de commande ou lorsque de la graisse s'y accumule. Lorsqu'elle est utilisée au-dessus d'un grill, d'un wok ou de tout autre ustensile où beaucoup de matière grasse est utilisée, un nettoyage plus fréquent peut s'avérer nécessaire.

Trempez les filtres de ventilation dans de l'eau chaude avec un détergent léger. Rincez bien et secouez pour sécher. Le nettoyage des filtres au lave-vaisselle peut décolorer légèrement les filtres. Cela n'a aucune incidence sur le fonctionnement des filtres à graisse.

Pour enlever les filtres, les panneaux latéraux et le plateau à graisse

- Éteignez le ventilateur et les lumières. Assurez-vous que les filtres ont refroidi et que la graisse s'est figée avant de les enlever.
- Enlevez les pièces dans l'ordre suivant :
 - 1) **Filtres** – commencez par les filtres du centre; poussez vers le haut, puis retirez-le à partir de la base. Selon la taille et le modèle de la hotte, il y a deux, trois ou quatre filtres.
 - 2) **Panneaux latéraux** – poussez le panneau vers haut et retirez-le à partir de la base.
 - 3) **Plateau à graisse** – poussez vers le haut et retirez-le.
- Suivez les directives ci-dessus à l'inverse pour installer le plateau à graisse, les filtres et les panneaux latéraux.
- Les étiquettes des caractéristiques assignées et du numéro de série se trouvent sur les panneaux latéraux de la hotte et sont visibles lorsque les filtres ont été enlevés (*Figure 6 à la page 9*).

- Les filtres, les panneaux latéraux et le plateau à graisse peuvent être lavés à la main ou au lave-vaisselle. Vous pouvez laver l'avant et les côtés de l'appareil avec de l'eau savonneuse chaude, puis les polir avec du nettoyant à acier inoxydable.

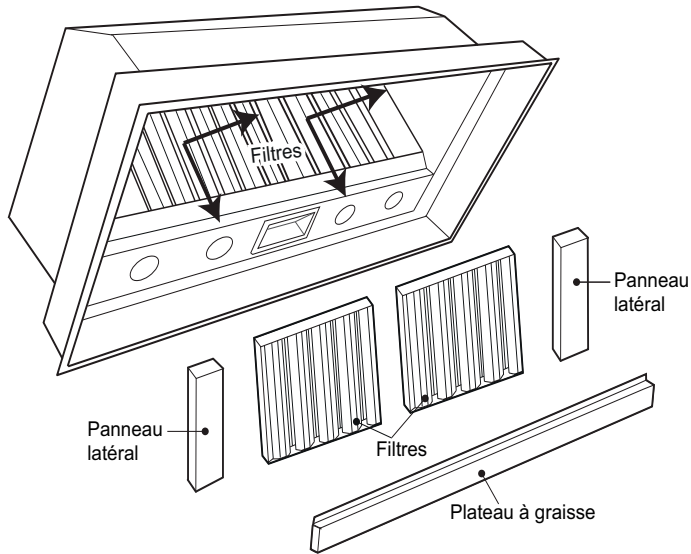


Figure 4 : La hotte et ses pièces

AVIS : N'utilisez pas la surface de cuisson lorsque la hotte n'est pas assemblée.

Entretien

Lumières

Éteignez les lumières et le ventilateur. Laissez aux lumières le temps de refroidir avant de les manipuler. Si les nouvelles ampoules ne fonctionnent pas, assurez-vous qu'elles sont correctement installées avant d'appeler le service technique.

⚠ ATTENTION

Coupez l'alimentation sur le disjoncteur avant d'enlever une ampoule endommagée. Ne touchez pas une ampoule immédiatement après son utilisation. Les ampoules demeurent chaudes pendant de nombreuses minutes.

⚠ AVERTISSEMENT

- Assurez-vous que l'appareil et les lampes ont refroidi et que l'alimentation électrique de l'appareil a été coupée avant de remplacer les ampoules. Si vous ne suivez pas cette directive, vous pourriez recevoir une décharge électrique ou vous brûler.
- Les lentilles de protection doivent être en place lors de l'utilisation de l'appareil.
- Les lentilles servent à éviter que l'ampoule ne se brise.
- Les lentilles sont faites en verre. Manipulez-les avec soin pour éviter de les briser. Les éclats de verre peuvent provoquer des blessures.

Remplacement des ampoules halogènes

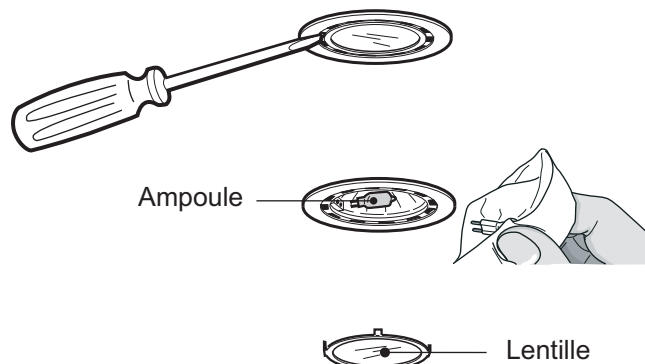


Figure 5 : Remplacement des ampoules halogènes

1. À l'aide de la lame d'un tournevis plat ou d'un outil équivalent, détachez les lentilles de protection en faisant levier, comme illustré sur la Figure 5.
2. Tirez sur l'ampoule endommagée pour l'enlever de la douille.
3. Remplacez-la par une nouvelle ampoule de 120 V, 40 W (maximum) avec une base G-9. Insérez les broches de la base de l'ampoule dans la douille jusqu'à ce que celle-ci soit bien en place. Suivez les indications de l'emballage et ne touchez pas à la nouvelle ampoule directement avec vos mains. Le gras de votre peau peut réduire la longévité de l'ampoule.
4. Réinstallez l'ampoule et la lentille.

Service

Avant d'appeler pour du service

Recourez aux suggestions du tableau ci-dessous avant d'appeler pour obtenir du service et ainsi éviter des frais de service.

Problème	Solution suggérée
Bruit lors du fonctionnement de l'appareil	Il est normal que les vibrations et les mouvements d'air fassent du bruit. Un bruit excessif pourrait être le résultat de l'une ou l'autre des causes suivantes : a) le conduit est trop petit ou sous-dimensionné b) le conduit est trop grand ou surdimensionné c) le conduit n'est pas bien fixé d) la pièce de transition est trop petite ou mal fixée e) les vis à bois ne sont pas assez serrées f) vis mal fixée de la partie de la garniture, etc. Consultez le <i>Manuel d'installation</i> pour vous assurer que la taille du conduit utilisé est la bonne. Serrez les vis.
Bruit lorsque l'appareil est éteint.	Le vent fait bouger le volet du registre anti-refoulement à l'extrémité du conduit située à l'extérieur. Cela est normal.
Le ventilateur ne fonctionne pas	a) Alimentation électrique insuffisante. b) Câblage électrique incorrect. Consultez le <i>Manuel d'installation</i> pour de plus amples renseignements.
Les lumières bourdonnent	Un léger bourdonnement est normal.
La hotte fait sauter le disjoncteur	a) Câblage électrique incorrect. b) Circuit insuffisant. Consultez le <i>Manuel d'installation</i> pour de plus amples renseignements.

Tableau 1: Dépannage

Comment obtenir du service ou des pièces

Nous voulons que vous demeuriez un client satisfait. Si un problème surgit sans qu'il soit possible de le régler à votre satisfaction, veuillez nous en avvertir. Que vous appeliez ou écriviez, veuillez fournir le numéro de modèle, le numéro de série et la date d'achat ou d'installation originale.

Pour joindre un représentant du service à la clientèle, consultez les coordonnées apparaissant au dos du manuel. Ayez les renseignements imprimés sur la plaque signalétique à portée de la main lorsque vous communiquez avec nous.

Plaque signalétique du produit

La plaque signalétique comprend le numéro de modèle et le numéro de série. Rappelez-vous à la plaque signalétique lorsque vous demandez du service.

La plaque se trouve sur le boîtier, derrière le filtre. Enlevez le filtre pour la consulter.

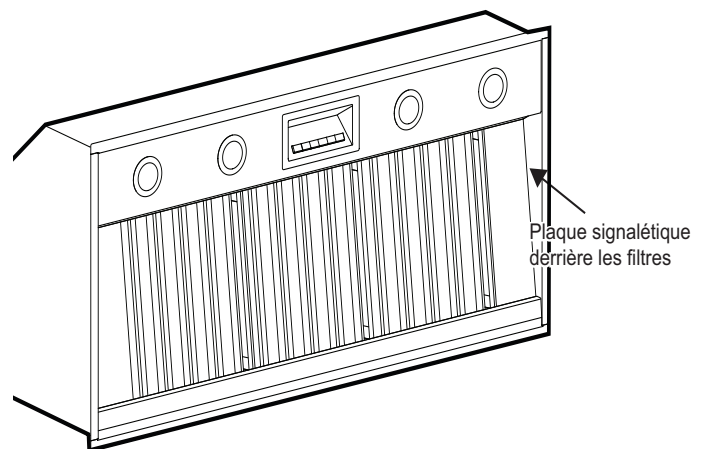


Figure 6 : Plaque signalétique

Énoncé de Garantie Limitée du Produit

Couverture de la garantie et à qui elle s'applique

La garantie limitée offerte par BSH Home Appliances Corporation (BSH) dans cet énoncé de garantie limitée du produit ne s'applique qu'à l'appareil THERMADOR® qui vous a été vendu, à titre de premier acheteur, pourvu que le produit ait été acheté :

- Pour une utilisation domestique normale (non commerciale) et qu'il n'ait été utilisé qu'à des fins domestiques normales.
- Neuf au détail (qu'il ne soit pas un modèle précédemment retourné, un modèle « tel-quel » ou un modèle de plancher) et non destiné à la revente ou à un usage commercial.
- Aux États-Unis ou au Canada, et qu'il soit demeuré en tout temps dans le pays de l'achat d'origine.

Les garanties énoncées dans les présentes ne s'appliquent qu'au premier acheteur du produit et ne sont pas transférables.

Veuillez vous assurer de retourner votre carte d'enregistrement ; bien que ce ne soit pas indispensable à la couverture de garantie. C'est toutefois le meilleur moyen pour BSH de communiquer avec vous, dans le cas peu probable d'un rappel de produit ou d'un avis de sécurité.

Durée de la garantie

Produit fabriqué avant le 1^{er} janvier 2012 dont le numéro est égal ou inférieur à FD911299999 : BSH garantit que le produit est exempt de défauts tant dans les matériaux que dans la main-d'œuvre pour une période de (365) jours à partir de la date d'achat. Cette période commence dès la date de l'achat et ne peut pas être arrêtée, prolongée ou suspendue pour quelque raison que ce soit.

Produit fabriqué après le 1^{er} janvier 2012 dont le numéro est égal ou supérieur à FD920100000 : BSH garantit que le produit est exempt de défauts tant dans les matériaux que dans la main-d'œuvre pour une période de sept cent trente (730) jours à partir de la date d'achat. Cette période commence dès la date de l'achat et ne peut pas être arrêtée, prolongée ou suspendue pour quelque raison que ce soit.

Ce Produit est également garanti contre tout défaut de matériau et de fabrication apparent (tels les éraflures sur l'acier inoxydable, les défauts d'aspect de la peinture ou de la porcelaine, les ébréchures, les bosselures, ou autres dégâts au fini du Produit), pendant une période de trente (30) jours à compter de la date d'achat ou de la date de clôture pour une nouvelle construction. Cette garantie relative à l'apparence exclut les légères variations de couleur découlant des différences inhérentes aux pièces

peintes et en porcelaine, ainsi que découlant des différences causées par l'éclairage de cuisine, l'emplacement du produit ou d'autres facteurs similaires. Cette garantie relative à l'apparence exclut plus particulièrement tout appareil électroménager en exposition, de plancher, « En l'état » ou de stock « B ».

Réparation ou remplacement comme recours exclusif

Durant cette période de garantie, BSH ou l'un de ses fournisseurs de service autorisés réparera votre appareil sans frais (sujet à certaines limitations établies dans les présentes) s'il est prouvé qu'une défectuosité dans les matériaux ou la main-d'œuvre affecte le fonctionnement de votre appareil. Si tous les efforts entrepris pour réparer l'appareil ont échoués, BSH remplacera votre appareil (un modèle plus récent pourrait vous être livré, à la seule discrétion de BSH, pour des frais additionnels). Toutes les pièces et composants deviendront la propriété de BSH. Toutes les pièces remplacées et/ou réparées assumeront l'identité de la pièce d'origine aux fins de cette garantie et cette garantie ne sera pas prolongée suite au remplacement de ces pièces. La seule responsabilité de BSH telle que décrite dans les présentes est de réparer un produit défectueux à la fabrication, en mandatant un fournisseur de service autorisé de BSH durant les heures d'affaire. Pour des raisons de sécurité et de dommages aux biens, BSH recommande de ne pas tenter de réparer vous-même le produit ou d'employer un fournisseur de services non autorisé. BSH n'accepte aucune responsabilité pour les réparations ou le travail effectué par un fournisseur de service non autorisé. Si vous acceptez qu'une personne autre qu'un fournisseur de service autorisé travaille à réparer votre produit, CETTE GARANTIE DEVIENDRA AUTOMATIQUEMENT NULLE ET NON AVENUE. Les fournisseurs de service autorisés sont les personnes morales ou sociétés spécialement formées pour réparer les produits BSH et qui possèdent, selon BSH, une réputation supérieure au niveau du service à la clientèle et des compétences techniques (notez qu'il s'agit d'entités indépendantes et non d'agents, partenaires, sociétés affiliées ou représentants de BSH). En dépit des énoncés ci-dessus, BSH n'accepte aucune responsabilité pour un appareil se trouvant dans une région éloignée (à plus de 200 km d'un fournisseur de service autorisé), ou dans un lieu ou un environnement inaccessible, dangereux, menaçant ou hasardeux ; dans un tel cas, si vous le demandez, BSH paiera pour les pièces et la main-d'œuvre, et expédiera le tout au fournisseur de service autorisé le plus près. Vous serez toutefois entièrement responsable des frais de déplacement ou autres frais spéciaux engagés par la société de service, assumant que cette dernière accepte d'effectuer la réparation.

Appareil hors garantie

BSH n'est assujettie à aucune obligation, au titre de la loi ou autrement, de vous offrir des concessions, incluant les réparations, prorata ou remplacement de produit une fois cette garantie expirée.

Exclusions de la garantie

La garantie décrite dans les présentes exclut toutes les défauts ou dommages qui ne sont pas du fait direct de BSH, incluant, mais sans s'y limiter, un ou plusieurs des éléments suivants :

- Utilisation du produit pour quelque raison autre que son usage normal de la façon prévue (incluant mais sans s'y limiter, toute forme d'usage commercial, d'usage ou d'entreposage d'appareils pour l'intérieur à l'extérieur, d'usage de l'appareil avec tout moyen de transport maritime ou aérien).
- Toute conduite inappropriée, négligence, mauvais usage, abus, accident, utilisation inadéquate, absence d'entretien, installation inadéquate ou négligente, modification, non-respect des instructions d'utilisation, manutention inappropriée, réparations non autorisées (incluant les réparations « maison » ou l'exploration des mécanismes internes de l'appareil).
- L'ajustement, l'altération ou la modification de toute forme que ce soit.
- Le non-respect des codes du bâtiment, règlements ou lois de la ville, de la province ou du pays en matière d'électricité, de plomberie, incluant une installation non conforme aux règlements et codes du bâtiment et des services d'incendie.
- L'usure normale, les déversements d'aliments ou de liquides, les accumulations de graisse ou d'autres substances qui s'accumulent sur, dans ou autour de l'appareil.
- Toute force et facteur extérieur causé par les éléments ou l'environnement, incluant, mais sans s'y limiter, la pluie, le vent, le sable, les inondations, les coulées de boue, les températures extrêmes, l'humidité excessive ou l'exposition prolongée à l'humidité, la foudre, les pannes de courant, les défaillances structurales autour de l'appareil et les catastrophes naturelles.

En aucun cas BSH ne peut être tenu responsable de dommages aux biens environnants, incluant les armoires de cuisine, les planchers, les plafonds et toute autre structure ou objet entourant l'appareil. Les appareils dont les numéros de série ont été modifiés, effacés ou rendus illisibles ; les visites de service visant à vous enseigner comment utiliser l'appareil ou les visites qui ne révèlent aucune défaillance à l'appareil ; la correction des problèmes d'installation (vous êtes seul responsable de la mise en place de l'appareil, notamment au niveau de l'électricité, de la plomberie et des autres installations de raccordement, des fondations et planchers et des modifications incluant, mais sans s'y limiter, les armoires, les murs, les planchers, les étagères, etc.) et le

réenclenchement des disjoncteurs ou le changement des fusibles.

Selon les limites permises par la loi, cette garantie vous accorde des recours exclusifs relativement au produit, que la réclamation survienne de par le contrat ou par délit civil (incluant la responsabilité stricte ou la négligence) ou de toute autre façon. Cette garantie remplace toute autre garantie, qu'elle soit expresse ou implicite. Toute garantie implicite en vertu de la loi, qu'elle concerne la qualité marchande ou l'adaptation à des fins particulières, ou autrement, ne sera en vigueur que pour la période pendant laquelle la garantie expresse limitée est en vigueur. En aucun cas le fabricant ne peut être tenu responsable des dommages indirects, particuliers, consécutifs, découlant d'une « perte commerciale » et/ou punitifs, des pertes ou dépenses, incluant, mais sans s'y limiter, le temps passé loin du travail, les hôtels et/ou les repas au restaurant, les frais de remodelage qui dépassent les dommages directs définitivement et exclusivement causés par BSH ou autrement. Certains états ou provinces ne permettent par l'exclusion ou la limitation des dommages corrélatifs ou imprévus et certains états ou provinces ne permettent pas d'accorder une limite de durée à la garantie implicite. Par conséquent les limitations ci-dessus pourraient ne pas s'appliquer à vous. Cette garantie vous accorde des droits légaux spécifiques et vous pourriez également disposer d'autres droits qui varient d'un état à l'autre et d'une province à l'autre.

Aucune tentative de modifier ou d'amender cette garantie ne sera considérée comme applicable à moins qu'elle n'ait été autorisée par écrit par un responsable de BSH.

Information pour le service technique

Afin de conserver ces données à portée de main, recopiez ici les renseignements figurant sur la fiche signalétique. Conservez votre facture pour que votre garantie soit valide.

Numéro du modèle _____

Numéro de série _____

Date d'achat _____

Complétez également la carte d'enregistrement du produit comprise avec ce produit. Enregistrez votre appareil auprès de BSH afin de vous assurer un service rapide et l'accès aux renseignements qui concernent votre appareil. Vous pouvez enregistrer votre appareil de l'une des façons suivantes :

1. Envoyez par la poste votre carte d'enregistrement de produit THERMADOR complétée.
2. Enregistrez votre produit en ligne à l'adresse www.thermador.ca.
3. Communiquez avec le service à la clientèle de THERMADOR au numéro 1-800-735-4328.

THERMADOR® Support

Service

We realize that you have made a considerable investment in your kitchen. We are dedicated to supporting you and your appliance so that you have many years of creative cooking.

Please don't hesitate to contact our STAR™ customer support department if you have any questions or in the unlikely event that your THERMADOR appliance needs service. Our service team is ready to assist you.

USA:
800-735-4328
www.thermador.com/support

Canada:
800-735-4328
www.thermador.ca

Parts & Accessories

Parts, filters, descalers, stainless steel cleaners and more can be purchased in the THERMADOR eShop or by phone.

USA:
www.thermador-eshop.com

Canada:
Marcone 800-287-1627
or
Reliable Parts 800-663-6060

THERMADOR^{mc} Entretien

Entretien

Nous savons bien que vous avez investi une somme considérable dans votre cuisine. Nous nous faisons un devoir de vous soutenir pour que vous puissiez profiter pleinement d'une cuisine où vous pourrez exprimer toute votre créativité de nombreuses années durant.

N'hésitez pas à communiquer avec l'un des membres chevronnés de notre équipe de soutien au client si vous avez des questions ou dans le cas plutôt improbable où votre appareil Thermador aurait besoin d'entretien. Notre équipe sera prête à vous aider.

É.-U. :
800-735-4328
www.thermador.com/support

Canada :
800-735-4328
www.thermador.ca

Pièces et accessoires

Vous pouvez vous procurer par téléphone ou à notre boutique Thermador en ligne des pièces, des filtres, des produits nettoyants pour acier inoxydable et plus encore.

É.-U. :
www.thermador-eshop.com

Canada :
Marcone 800-287-1627
or
Reliable Parts 800-663-6060

Thermador ®

REAL INNOVATIONS FOR REAL COOKS®

1901 Main Street, Suite 600, Irvine, CA 92614 • 800-735-4328 • www.thermador.com
9001030273 • Rev. A • 5U06E3 • © BSH Home Appliances Corporation, 08/14