



Fridge-freezer






en User manual

KI67.. / KI68..



en Table of contents

	Safety instructions	4		Operating the appliance	11
	About these instructions	4		Switching on the appliance	11
	Risk of explosion	4		Switching off and disconnecting the appliance	12
	Risk of electric shock	4		Setting the temperature	12
	Risk of cold burns	4		Super cooling	12
	Risk of injury	5		Super freezing	13
	Danger due to refrigerants	5		Holiday mode	13
	Avoiding placing children and vulnerable people at risk	5		Alarm	13
	Damage	6		Door opening alarm	13
	Weight	6		Temperature alarm	13
	Intended use	6		Refrigerator compartment	14
	Environmental protection	6		Note when storing food	14
	Packaging	6		Note the chill zones in the refrigerator compartment	14
	Old appliances	6		Vegetable container with humidity control	15
	Installation and connection	7		Freezer compartment	15
	Contents of package	7		Maximum freezing capacity	16
	Technical specifications	7		Fully utilising the freezer volume	16
	Installing the appliance	7		Purchasing frozen food	16
	Cavity depth	7		Note when loading products	16
	Side by-side installation	7		Freezing fresh food	16
	Tips for saving energy	8		Thawing frozen food	17
	Before using your appliance for the first time	9		Defrosting	18
	Electrical connection	9		Refrigerator compartment	18
	Getting to know your appliance	9		Freezer compartment	18
	Appliance	9		Cleaning	19
	Controls	10		Cleaning the equipment	19
	Interior fittings	10			

-  **Odours** 19
-  **Lighting**..... 20
-  **Noises**..... 20
 - Normal noises 20
 - Preventing noises 20
-  **Faults – what to do?** 20
-  **Customer service**..... 22
 - Appliance self-test 22
 - Repair order and advice
on faults 22
 - Guarantee 22



Safety instructions

This appliance complies with the relevant safety regulations for electrical appliances and is fitted with noise suppression.

The refrigeration circuit has been checked for leaks.

About these instructions

- Read and follow the operating and installation instructions. They contain important information on how to install, use and maintain the appliance.
- The manufacturer is not liable if you disregard the instructions and warnings in the operating and installation instructions.
- Retain all documents for subsequent use or for the next owner.

Risk of explosion

- Never use electric devices inside the appliance (e.g. heaters or electric ice makers).
- Do not store products which contain flammable propellants (e.g. spray cans) or explosive substances in the appliance.
- Store high-percentage alcohol tightly closed and standing up.

Risk of electric shock

Improper installations and repairs may put the user at considerable risk.

- If the power cord is damaged: Immediately disconnect appliance from the power supply.
- Have the appliance repaired by the manufacturer, customer service or a similarly qualified person only.
- Use original parts supplied by the manufacturer only. The manufacturer guarantees that these parts satisfy the safety requirements.
- Only purchase an extension cable from customer service.

Risk of cold burns

- Never put frozen food straight from the freezer compartment into your mouth.
- Avoid prolonged contact of skin with frozen food, ice and the tubes in the freezer compartment.

Risk of injury

Containers which contain carbonated drinks may burst. Do not store containers which contain carbonated drinks in the freezer compartment.

Danger due to refrigerants

The tubes of the refrigeration circuit contain a small quantity of the environmentally friendly but flammable refrigerant R600a. It does not damage the ozone layer and does not increase the greenhouse effect. If refrigerant escapes, it may injure your eyes or ignite.

- Do not damage the tubes

If the tubes are damaged:

- Keep naked flames and ignition sources away from the appliance.
- Ventilate the room.
- Switch off the appliance and pull out the mains plug.
- Call the after-sales service.

Avoiding placing children and vulnerable people at risk

At risk are:

- Children,
- People who have limited physical, mental or sensory abilities,
- People who have inadequate knowledge concerning safe operation of the appliance.

Measures:

- Ensure that children and vulnerable people have understood the hazards.
- Children or vulnerable people must be supervised by a responsible person when using the appliance.
- Only children from 8 years and above may use the appliance.
- Supervise children while the appliance is being cleaned or maintained.
- Never allow children to play with the appliance.

Risk of suffocation

- If the appliance features a lock: keep the key out of the reach of children.
- Keep children away from the packaging and its parts.

en Intended use

Damage

To prevent damage:

- Do not stand or support yourself on the base, runners or doors.
- Keep plastic parts and door seals free of oil and grease.
- Pull the mains plug – not the power cord.

Weight

When installing and transporting the appliance, note that it may be very heavy.

→ "Installation location" on page 7



Intended use

Use this appliance

- only for the cooling and freezing of food and for making ice.
- only in the home and in the home environment.
- only according to these operating instructions.

This appliance is intended for use up to a maximum height of 2000 metres above sea level.



Environmental protection

Packaging

All materials are environmentally safe and recyclable:

- Dispose of packaging in an environmentally friendly manner.
- Please ask your dealer or inquire at your local authority about current means of disposal.

Old appliances

Valuable raw materials can be reclaimed by recycling old appliances.



Warning

Children may become locked in the appliance and suffocate!

- To prevent children from climbing in, leave shelves and containers in the appliance.
- Keep children away from the redundant appliance.

Caution!

Refrigerant and harmful gases may escape.

Do not damage the tubes of the refrigerant circuit and insulation.

1. Remove the mains plug.
2. Sever the power cord.
3. Have the appliance disposed of professionally.



This appliance is labelled in accordance with European Directive 2012/19/EU concerning used electrical and electronic appliances (waste electrical and electronic equipment - WEEE). The guideline determines the framework for the return and recycling of used appliances as applicable throughout the EU.



Installation and connection

Contents of package

After unpacking all parts, check for any damage in transit.

If you have any complaints, contact the dealer from whom you purchased the appliance or our after-sales service.

→ "Customer service" on page 22

The delivery consists of the following parts:

- Built-in appliance
- Interior fittings (depending on model)
- Bag containing installation materials
- User manual
- Installation instructions
- Customer service booklet
- Warranty enclosure
- Information on the energy consumption and noises

Technical specifications

Refrigerant, cubic capacity and further technical specifications can be found on the rating plate.

Installing the appliance

Installation location

The more refrigerant an appliance contains, the larger the room must be in which the appliance is situated. Leaking refrigerant can form a flammable gas-air mixture in rooms which are too small.

The room must be at least 1 m³ per 8 g of refrigerant. The amount of refrigerant in your appliance is indicated on the rating plate inside the appliance.

The weight of the appliance may be up to 70 kg depending on the model.

Permitted room temperature

The permitted room temperature depends on the climatic class of the appliance.

Information on the climatic class can be found on the rating plate.

Climatic category	Permitted room temperature
SN	+10 °C ... 32 °C
N	+16 °C ... 32 °C
ST	+16 °C ... 38 °C
T	+16 °C ... 43 °C

The appliance is fully functional within the permitted room temperature.

If an appliance of climatic class SN is operated at colder room temperatures, the appliance will not be damaged up to a room temperature of +5 °C.

Cavity depth

A cavity depth of 56 cm is recommended for the appliance. If the cavity depth is smaller – at least 55 cm – the energy consumption increases slightly.

Side by-side installation

It is only possible to install appliances side by side with a gap of at least 15 cm.

Tips for saving energy

If you follow the instructions below, your appliance will use less power.

Note: The arrangement of the features does not affect the energy consumption of the appliance.

Installing the appliance	
Keep the appliance out of direct sunlight.	The appliance must cool less frequently at low ambient temperatures and therefore consumes less power.
Install the appliance as far away as possible from heating elements, cooker and other heat sources: 3 cm to electric or gas cookers. 30 cm to an oil or solid-fuel cooker.	
Note: If this is not possible, attach an insulating plate between the appliance and heat source.	
Select an installation location at a room temperature of approx. 20 °C.	
Use a cavity depth of 56 cm.	The air on the rear panel of the appliance does not warm up so intensely. The appliance consumes less power if the warm air can escape.
Caution! Risk of burns! Individual parts of the appliance become hot during operation. Touching these parts may result in burns.	
Do not cover or block the ventilation openings.	
Ventilate the room daily.	

Using the appliance	
Open the appliance door only briefly.	The air in the appliance does not warm up so intensely. The appliance must cool less frequently and therefore consumes less power.
Transport purchased food in a cool bag and place quickly in the appliance.	
Allow warm food and drinks to cool down before placing in the appliance.	
Thaw frozen food in the refrigerator compartment in order to utilise the low temperature of the frozen food.	
Always leave a space between the food and the rear panel.	The air can circulate and the air humidity will remain constant. The appliance must cool less frequently and therefore consumes less power.
Pack food airtight.	
Vacuum the back of the appliance once a year.	The air on the rear panel of the appliance does not warm up so intensely. The appliance consumes less power if the warm air can escape.
Do not cover or block the ventilation openings.	

Before using your appliance for the first time

1. Remove leaflets, adhesive tape and protective film.
2. Clean the appliance.
→ "Cleaning" on page 19

Electrical connection

Caution!

Do not connect the appliance to electronic energy saver plugs.

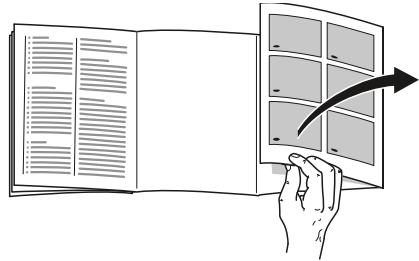
Note: You can connect the appliance to mains-controlled and sine-controlled inverters.

Mains-controlled inverters are used for photovoltaic systems which are connected directly to the national grid. Sine-controlled inverters must be used for isolated applications, e.g. on ships or in mountain lodges, which are not connected directly to the national grid.

1. After installing the appliance, wait at least 1 hour before connecting it to prevent damaging the compressor.
2. Connect the appliance via a correctly installed socket.
The socket must comply with the following data:
Socket with 220 V ... 240 V
Conductor 50 Hz
Fuse 10 A ... 16 A
Outside Europe: Check whether the indicated current type of the appliance corresponds with the values of your power supply.
Appliance specifications are on the rating plate.
3. Connect the appliance to a socket near the appliance.
The socket must be freely accessible even after the appliance has been installed.

Getting to know your appliance




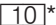
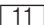
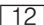
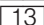
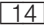

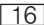
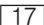
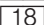


Fold out the last page with the diagrams. The appliance and diagrams may differ according to features.



Appliance




→ Fig. 1

* Not all models.

	Refrigerator compartment
	Freezer compartment
	Controls
	Fan
	Lighting
	Extendable shelf
	Vegetable container with humidity control
	Rating plate
	Berry tray
	Freezer calendar
	Frozen food container
	Butter and cheese compartment
	Storage compartment Vario
	Tray for large bottles

Controls

→ Fig. 2

- 1 Button  Switches the appliance on or off.
- 2 Button **Super** freezer compartment Switches Super freezing on or off.
- 3 Button  freezer compartment Sets the temperature of the freezer compartment.
- 4 Freezer compartment temperature display Indicates the set temperature in °C.
- 5 Button **Alarm** Switches the warning signal off.
- 6 Button **Holiday** Switches holiday mode on or off.
- 7 Button  refrigerator compartment Sets the temperature of the refrigerator compartment.
- 8 Refrigerator compartment temperature display Indicates the set temperature in °C.
- 9 Button **Super** refrigerator compartment Switches Super cooling on or off.

Interior fittings

(not all models)

Shelf

→ Fig. 3

You can vary the shelf:

- Pull out and remove the shelf.

Vario shelf

→ Fig. 4

You can store tall items (e.g. cans or bottles):

- Take out the front part of the shelf and push under the rear part.

Extendable shelf

→ Fig. 5

You can give yourself a better overview:

- Pull out a shelf.

You can completely remove the shelf:

1. Press and hold down both buttons under the shelf.
2. Pull out the shelf, lower and swing out to the side.

Container

→ Fig. 6

You can remove the container:

- Pull out the container all the way, lift at the front and remove.

Butter and cheese compartment

→ Fig. 7

The compartment is easy to open:

- Lightly press the flap below in the middle.

The compartment opens downwards. The flap is pushed under the compartment.

Storage compartment

→ Fig. 8

You can remove the storage compartment:

- Lift up storage compartment and remove.

Storage compartment Vario

→ Fig. **9**

You can store large bottles in the lower storage compartment:

- Push storage compartment to the right or left.

Bottle holder

→ Fig. **10**

When you open and close the door:

- The bottle holder prevents the bottles from overturning.

Freezer calendar

→ Fig. **11**/**16**

The freezer calendar indicates the maximum storage duration in months at a constant temperature of $-18\text{ }^{\circ}\text{C}$.

Ice cube tray

You can make ice cubes:

1. Fill the ice cube tray 3/4 full with water and place in the freezer compartment.

Note: If the ice cube tray is stuck to the freezer compartment, loosen with a blunt implement only (e.g. spoon handle).
2. To loosen the ice cubes, twist the ice cube tray slightly or hold briefly under flowing water.

Ice pack

In the event of a power failure or a fault:

- The ice pack delays the warming of the stored frozen food.

Note: The longest storage time is obtained by placing the ice pack on the food in the top compartment.

You can take out the ice pack for temporarily keeping food cool, e.g. in a cool bag.



Operating the appliance

Switching on the appliance

1. Press the **⓪** button.
The appliance begins to cool. Warning signal, flashing temperature display on the freezer compartment and lit button **Alarm** indicate that the freezer compartment is still too warm.
2. Press the **Alarm** button.
The warning signal switches off.
3. Setting the required temperature.
→ "Setting the temperature" on page 12


Operating tips

- After the appliance has been switched on, it may take several hours until the set temperatures have been reached. Do not put in any food until the selected temperature has been reached.
- The sides of the housing are partly heated slightly. This prevents condensation in the area of the door seal.
- If the freezer compartment door cannot be immediately re-opened after it has been closed, wait until the resulting low pressure has equalised.

en Operating the appliance


Switching off and disconnecting the appliance

Switching off the appliance

- Press the  button.
The appliance no longer cools.

Disconnecting the appliance

If you do not use the appliance for a prolonged period:



1. Press the  button.
The appliance no longer cools.
2. Pull out the mains plug or switch off the fuse.
3. Clean the appliance.
4. Leave the appliance open.

Setting the temperature



Recommended temperature

Refrigerator compartment: +4 °C
Freezer compartment: -18 °C

Refrigerator compartment

- Keep pressing the button   until the display indicates the required temperature.

Freezer compartment

- Keep pressing the button   until the display indicates the required temperature.

Sticker OK

(not all models)

You can use sticker **OK** to check whether the temperature in the refrigerator compartment reaches +4 °C or lower.

If the sticker does not indicate **OK**, gradually reduce temperature.

When the appliance is switched on, it may take up to 12 hours until the set temperature is reached.

Correct setting



Super cooling

Super cooling cools the refrigerator compartment as cold as possible.

Switch on super cooling mode, e.g.:

- before placing large quantities of food in the compartment
- for cooling drinks quickly

Note: When super cooling is switched on, increased operating noises may occur.

After 15 hours the appliance switches to normal operation.

Switching Super cooling on/off:

- Press the **Super** button.
The button is lit when Super cooling is switched on.

Super freezing

Super freezing cools the freezer compartment as cold as possible.

Switch on super freezing mode, e.g.:

- to freeze food solid as quickly as possible;
- 4–6 hours before placing food weighing 2 kg or more in the freezer compartment
- to use the max. freezing capacity → "Maximum freezing capacity" on page 16

Note: When super freezing is switched on, increased operating noises may occur.

After approx. 2 ½ days the appliance switches to normal operation.

Switching Super freezing on/off:

- Press the **Super** button.
The button is lit when Super freezing is switched on.

Holiday mode

If leaving the appliance for a long period of time, you can switch the appliance over to the energy-saving holiday mode.

The temperature in the refrigerator compartment is automatically switched to +14 °C.

Do not store any food in the refrigerator compartment during this time.

The temperature in the freezer compartment remains unchanged.

Switching holiday mode on/off:

- Press the **Holiday** button.
When holiday mode is switched on, the button is lit and the refrigerator compartment temperature display no longer indicates a temperature.

Alarm

Door opening alarm

The door opening alarm (continuous sound) switches on if the appliance door is open for longer than one minute.

- Close the door or press button **Alarm**.
The warning signal is switched off.

Temperature alarm

If the freezer compartment becomes too warm, the temperature alarm (intermittent signal) switches on.

Caution!

During the thawing process, bacteria may occur and spoil the frozen food

Do not refreeze thawing or thawed food. Refreeze food only after cooking. Do not store the frozen produce for the max. storage period.

Note: The alarm may be actuated without risk to the frozen food in the following cases:

- The appliance is switching on.
- Large quantities of fresh food are put in.
- The freezer compartment door has been open too long.

Indicating warmest temperature and switching off warning signal:

- Press the **Alarm** button.
The display briefly indicates the warmest temperature reached in the freezer compartment. Then the display indicates the set temperature again.
From this time on the warmest temperature is recalculated and saved.

Note: The button **Alarm** remains lit until the set temperature has been reached again.

Refrigerator compartment

The refrigerator compartment is suitable for storing meat, sausages, fish, dairy products, eggs, ready meals and pastries.

The temperature can be set from +2 °C ... +8 °C.

The refrigerator compartment can also be used to store highly perishable foods in the short to medium term. The lower the selected temperature, the slower the enzymatic and chemical processes and deterioration by microorganisms. A temperature of +4 °C or lower ensures optimum freshness and safety of the stored foods.

Note when storing food

- Store fresh, undamaged food. The quality and freshness will then be retained for longer.
- In the case of ready products and bottled goods do not exceed the minimum sell-by date or use-by-date indicated by the manufacturer.
- To retain aroma, colour and freshness, pack or cover food well before placing it in the appliance. This avoids transference of flavours and discolouration of the plastic parts.
- Leave warm food and drinks to cool down before placing them in the refrigerator compartment.

Note the chill zones in the refrigerator compartment

The air circulation in the refrigerator compartment creates different chill zones.

Coldest zone

The coldest zone is between the arrow stamped on the side and the shelf underneath.

→ Fig. 11

Note: Store perishable food (e.g. fish, sausages and meat) in the coldest zone.

Warmest zone

The warmest zone is at the very top of the door.

Note: Store e.g. hard cheese and butter in the warmest zone. Cheese can continue to release its flavour and the butter will still be easy to spread.

Vegetable container with humidity control

→ Fig. **12**

The vegetable container is the best storage location for fresh fruit and vegetables. You can adjust the air humidity in the vegetable container via the humidity controller and a special seal. This allows fresh fruit and vegetables to be stored twice as long as with conventional storage.

The air humidity in the vegetable container can be set according to the type and amount of products to be stored:

- Mainly fruit as well as for a large load – set lower air humidity
- Mainly vegetables as well as for a mixed load or small load – set higher air humidity

Notes

- Fruit sensitive to cold (e.g. pineapple, banana, papaya and citrus fruit) and vegetables sensitive to cold (e.g. aubergines, cucumbers, zucchini, peppers, tomatoes and potatoes) should be stored outside the refrigerator at temperatures of approx. +8 °C – +12 °C for optimum preservation of quality and flavour.
- Condensation may form in the vegetable container depending on the food and quantity stored. Remove condensation with a dry cloth and adjust air humidity in the vegetable container with the humidity controller.



Freezer compartment

The freezer compartment is suitable for:

- storing frozen food
- making ice cubes
- freezing food

The temperature can be set from –16 °C ... –24 °C.

The freezer compartment can be used to store perishable foods long-term almost without any noticeable reduction in quality, as the low temperatures considerably slow down or stop deterioration. Appearance, flavour and all valuable ingredients are largely retained.

Long-term storage of food should be at –18 °C or lower.

The time between putting fresh food in the freezer compartment and it freezing solid depends on the following factors:

- set temperature
- type of food
- amount of food in the freezer compartment
- quantity and type of storage

en Freezer compartment

Maximum freezing capacity

The maximum freezing capacity indicates the quantity of food which can be frozen solid within 24 hours.

Information on the max. freezing capacity can be found on the rating plate.

To use the maximum freezer capacity, switch on Super freeze 24 hours before placing the fresh food in the freezer compartment.

Prerequisites for max. freezing capacity

1. Approx. 24 hours before inserting fresh produce: switch on Super freeze.
→ *"Super freezing" on page 13*
2. Take the container out of the freezer compartment and stack the food directly on the shelves and on the floor of the freezer compartment.
3. First fill the upper compartment with food. This is where the food will freeze most quickly.
4. If the top compartment is inadequate, store the remaining quantity in the compartment underneath starting at the front right side.
5. Freeze fresh food as close as possible to the side panels.

Fully utilising the freezer volume

To place the maximum quantity of frozen food in the freezer compartment:

- remove all fittings.
- Store food directly on the shelves and on the floor of the freezer compartment.

Purchasing frozen food

- Ensure the packaging is not damaged.
- Do not exceed the minimum sell-by date.
- The temperature in the supermarket freezer must be -18°C or lower.
- If possible, transport frozen food in a cool bag and place quickly in the freezer compartment.

Note when loading products

- Freeze large quantities of food in the top compartment.
This is where the food will freeze especially quickly and gently.
- Distribute food in the compartments or frozen food containers.
- Do not bring food which is to be frozen into contact with frozen food. If required, restack frozen food in the frozen food containers.
- Important for unrestricted air circulation in the appliance:
push in frozen food container all the way.

Freezing fresh food

Freeze only fresh and undamaged food.

Food which is boiled, fried or baked is more suitable for freezing than food which is raw.

Before freezing food, make preparations appropriate to the food in order to retain the best possible nutritional value, flavour and colour:

- Vegetables: wash, chop, blanch.
- Fruit: wash, pit and perhaps peel, possibly add sugar or ascorbic acid solution.

Information on how to do this can be found in the relevant literature.

Suitable for freezing

- Baked goods
- Fish and seafood
- Meat
- Poultry and game
- Vegetables, fruit and herbs
- Eggs without shells
- Dairy products, e.g. cheese, butter and quark
- Ready meals and leftovers, e.g. soups, stews, cooked meat and fish, potato dishes, soufflés and desserts

Not suitable for freezing

- Types of vegetables which are usually eaten raw, e.g. lettuce or radishes
- Unpeeled or hard boiled eggs
- Grapes
- Whole apples, pears and peaches
- Yoghurt, soured milk, sour cream, creme fraiche and mayonnaise

Packing frozen food

The correct type of packaging and material selection are decisive factors in the retention of the product quality and prevent the development of freezer burn.

1. Place food in packaging.
2. Remove air.
3. Pack food airtight to prevent it from losing flavour and drying out.
4. Label packaging with contents and date of freezing.

Suitable packaging:

- Plastic film
- Tubular film made of polyethylene (PE)
- Aluminium foil
- Freezer containers

Suitable locks:

- Rubber bands
- Plastic clips
- Cold-resistant adhesive tape

Not suitable packaging:

- Wrapping paper
- Greaseproof paper
- Cellophane
- Refuse bags and used shopping bags

Shelf life of frozen food at -18°C

Fish, sausage, ready meals and cakes and pastries:	up to 6 months
Meat, poultry:	up to 8 months
Fruit, vegetables:	up to 12 months

Thawing frozen food

The thawing method must be adjusted to the food and application in order to retain the best possible product quality.

Thawing methods:

- in the refrigerator compartment (especially suitable for animal-based foods such as fish, meat, cheese, quark)
- at room temperature (bread)
- in the microwave (food for immediate consumption or immediate preparation)
- in the oven/cooker (food for immediate consumption or immediate preparation)

Caution!

Do not refreeze thawing or thawed food. You can only refreeze the food when it has been used for a ready-to-eat meal (boiled or fried). The frozen food can no longer be stored for the maximum duration.



Defrosting

Refrigerator compartment

While the refrigerating unit is running, condensation droplets or frost form on the rear panel. This is due to functional reasons. It is not necessary to wipe off the condensation droplets or frost. The rear panel defrosts automatically. The condensation drains off into the condensation channel.

→ Fig. 14

The condensation runs from the condensation channel to the evaporation pan where it evaporates.

Note: Keep the condensation channel and drainage hole clean so that the condensation can drain and odours do not form.

Freezer compartment

As the frozen food may not start thawing, the freezer compartment does not defrost automatically. A layer of hoarfrost in the freezer compartment impairs refrigeration of the frozen food and increases power consumption.

- Remove the layer of frost regularly!

Caution!

Avoid any damage to the pipes of the refrigeration circuit.

If refrigerant escapes, it may injure your eyes or ignite.

- Do not scrape off hoarfrost or ice with a knife or pointed object.

Proceed as follows:

1. Switch on the super freezing approx. 4 hours before defrosting. This means that the food reaches very low temperatures and it can be stored for longer at room temperature.
2. Remove the frozen food and place temporarily in a cool location.
3. Switch off the appliance.
4. Pull out the mains plug or switch off the fuse.
5. To accelerate the defrosting process: place a pan of hot water on a trivet in the freezer compartment.
6. Wipe up the condensation water with a cloth or sponge.
7. Wipe the freezer compartment dry.
8. Switch on the appliance.
9. Put the frozen food back into the appliance.



Cleaning

Caution!

Avoid damaging the appliance and the fittings.

- Do not use abrasive, chloride or acidic cleaning agents or solvents.
- Do not use scouring or abrasive sponges.
The metallic surfaces may corrode.
- Never clean the shelves or containers in the dishwasher.
The parts may become deformed.

Proceed as follows:

1. Switch off the appliance.
2. Pull out the mains plug or switch off the fuse.
3. Take out the food and store in a cool location.
If present: place ice pack on the food.
4. If present: wait until the layer of frost has thawed.
5. Clean the appliance with a soft cloth, lukewarm water and a little pH-neutral washing-up liquid.

Caution!

The rinsing water must not run into the light or through the drainage hole into the evaporation area.

6. Wipe door seal with clear water and dry thoroughly with a cloth.
7. Reconnect and switch on appliance and put in food.

Cleaning the equipment

To clean, take the variable parts out of the appliance.

→ "Interior fittings" on page 10

Condensation channel

→ Fig. 14

Regularly clean the condensation channel and drainage hole with a cotton bud or similar implement to ensure that the condensation can drain.

Shelf above the vegetable container

→ Fig. 13

1. Pull out vegetable container.
2. Take out shelf and dismantle to clean.



Odours

If you experience unpleasant odours:

1. Switch off the appliance with the On/Off button ①.
2. Take all food out of the appliance.
3. Clean the inside. → "Cleaning" on page 19
4. Clean all packages.
5. Seal strong smelling food in order to avoid odours from forming.
6. Switch the appliance on again.
7. Store food in the appliance.
8. Check whether the formation of odours is still occurring after 24 hours.



Lighting

Your appliance features a maintenance-free LED light.

Only customer service or authorised technicians may repair the light.



Noises

Normal noises

Droning: A motor is running, e.g. refrigerating unit, fan.

Bubbling, buzzing or gurgling:

Refrigerant is flowing through the tubes.

Clicking: Motor, switches or solenoid valves are switching on and off.

Cracking: Automatic thawing successful.

Preventing noises

Appliance is not level: Align appliance using a spirit level. If required, place a little packing underneath.

Containers, shelves or storage compartments wobble or stick: Check the removable fittings and re-insert if required.

Bottles or receptacles are touching each other: Move bottles or receptacles away from each other.



Faults – what to do?

Before you call customer service, use this table to check whether you can rectify the fault yourself.

Temperature differs greatly from the set value.

Switch off appliance for 5 minutes.
→ "Switching off and disconnecting the appliance" on page 12

If the temperature is too warm, check temperature again after a couple of hours.

If the temperature is too cold, check temperature again on the following day.

Displays do not illuminate.

The mains plug has not been inserted properly.

Connect the mains plug.

The fuse has tripped.

Check the fuses.

The power has failed.

Check whether the power is on.

Display indicates “E...”.

Electronics have detected a fault.

Call the customer service.

→ *“Customer service” on page 22*

A warning signal sounds and the Alarm button is lit.

Press the **Alarm** button. Alarm is switched off.

Appliance door is open.

Close the appliance door.

Ventilation openings have been covered.

Clear ventilation openings.

Large quantities of fresh food were placed in the appliance.

Do not exceed max. freezing capacity.

Display flashes, warning signal sounds and button Alarm is lit.

Press the **Alarm** button. Alarm is switched off.

Appliance door is open.

Close the appliance door.

Ventilation openings have been covered.

Clear ventilation openings.

Large quantities of fresh food were placed in the appliance.

Do not exceed max. freezing capacity.

Display flashes.

The temperature in the freezer compartment was too warm.

When button **Alarm** has been pressed, the warmest temperature reached in the freezer compartment is displayed for 5 seconds. Press the **Alarm** button. The display stops flashing.

Appliance is not cooling, display and lighting are lit.

Showroom mode switched on.

Start the appliance self-test.

→ *“Customer service” on page 22*

When the programme has ended, the appliance switches over to normal operation.



Customer service

If you are unable to rectify the fault, please contact our customer service. We will always find an appropriate solution in order to avoid unnecessary visits by engineers.

The contact information for your nearest customer service can be found here or on the enclosed customer service list.

When calling, please state the product number (E-Nr.) and the production number (FD) which can be found on the rating plate.

Trust the expertise of the manufacturer. You can therefore be sure that the repair is carried out by trained service technicians who carry original spare parts for your domestic appliances.

Appliance self-test

Your appliance features a self-test programme which displays the fault which your customer service can rectify.

1. Switch off the appliance and wait 5 minutes.
2. Switch on the appliance.
3. Within the first 10 seconds, press and hold the freezer compartment **Super** button for 3 ... 5 seconds until an audible signal sounds. The self-test programme starts. While the self-test is running, a long audible signal sounds in the meantime.

- If 2 audible signals sound after the end of the self-test and the set temperature is displayed, your appliance is OK.
- If, at the end of the self-test, 5 audible signals sound and the freezer compartment **Super** button flashes for 10 seconds, inform customer service.

When the programme has ended, the appliance switches over to normal operation.

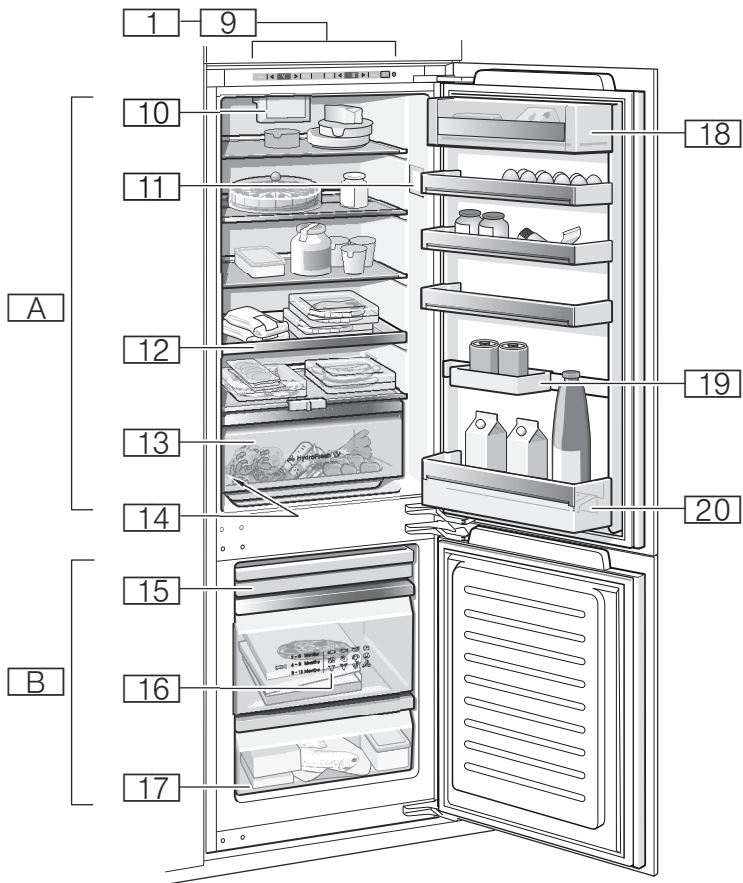
Repair order and advice on faults

Contact information for all countries can be found on the enclosed customer service list.

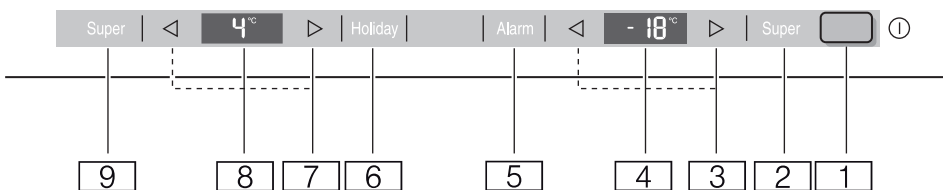
GB	0344 892 8989	Calls charged at local or mobile rate.
IE	01450 2655	0.03 € per minute at peak. Off peak 0.0088 € per minute.

Guarantee

Detailed information on the warranty period and warranty conditions in your country are available from your customer service, your dealer and on our website.



1



2



3



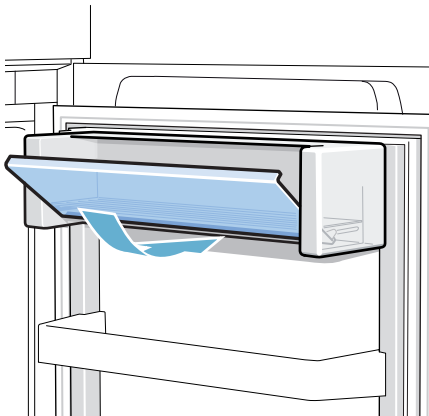
4



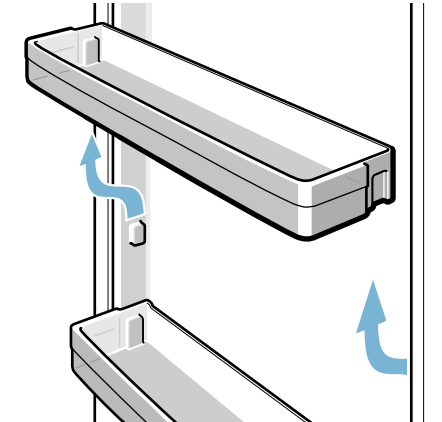
5



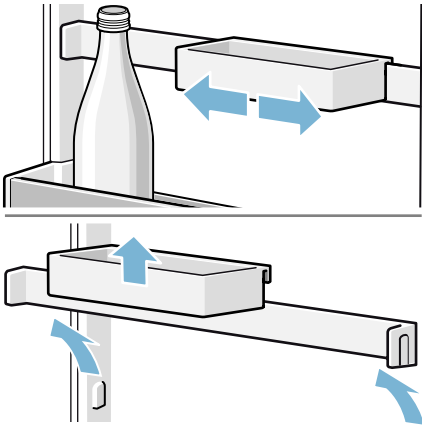
6



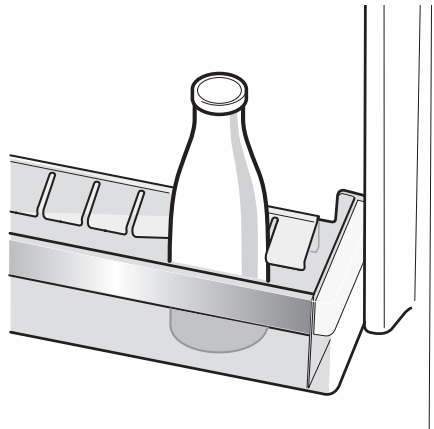
7



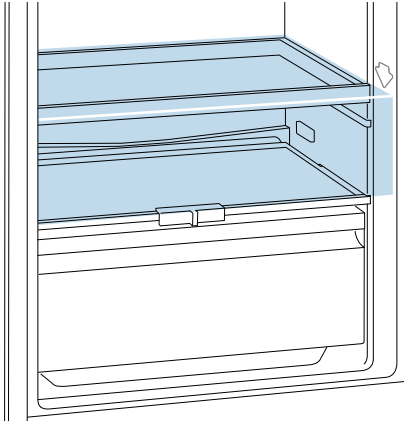
8



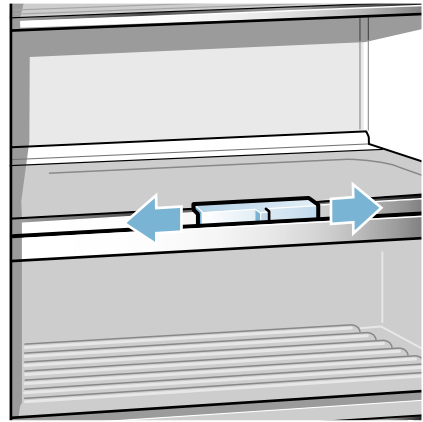
9



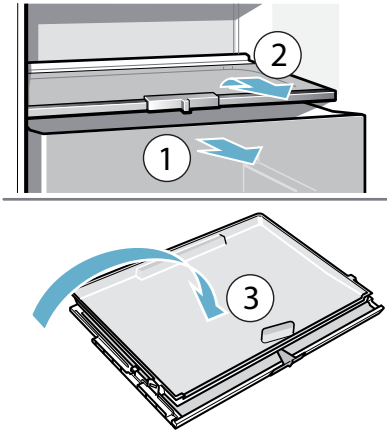
10



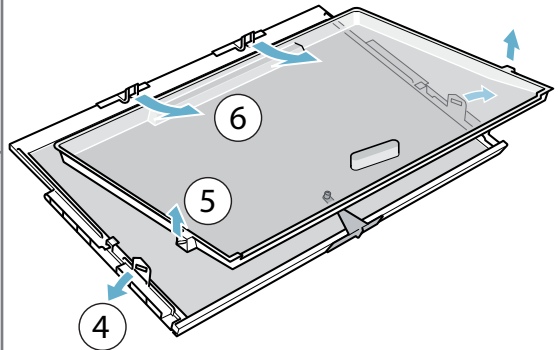
11



12



13





14



Constructa-Neff Vertriebs-GmbH
Carl-Wery-Straße 34
81739 München, GERMANY



www.neff-international.com



9001014459 (9603)
en