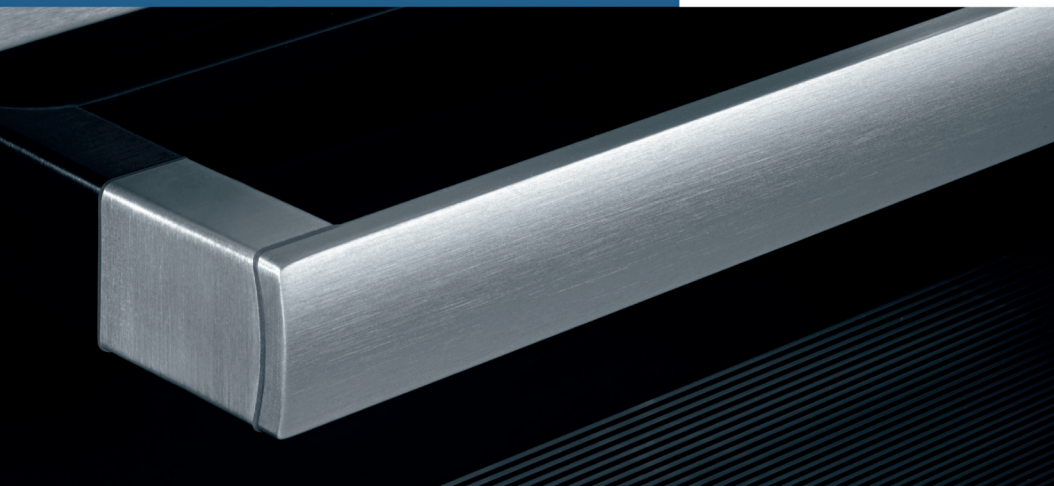




Register your new Bosch now:
www.bosch-home.com/welcome



**Built-in oven
HVA541NS0**



BOSCH

[en] Instruction manual 3

[ar] دليل الاستعمال 3

en Table of contents

Important safety information	3	Removing and fitting the appliance door	10
Causes of damage	4	Removing and inserting the hook-in racks	10
Your new appliance	5	Troubleshooting	11
Function selector.....	5	Replacing the oven light bulb.....	11
Temperature selector	5	After-sales service	11
The electronic clock	5	E number and FD number	11
Accessories	6	Energy and environment tips	12
Before using the oven for the first time	6	Saving energy.....	12
Setting the clock	6	Environmentally-friendly disposal.....	12
Baking out the oven	6	Acrylamide in foodstuffs	12
Cleaning the accessories.....	6	Tips for using your appliance	13
How to operate your oven	7	Baking	13
Switching on the oven.....	7	Roasting and grilling	13
Operating the electronic clock	7	Tested for you in our cooking studio.....	14
Setting the automatic timer	7		
Displaying and changing set values	8		
Care and cleaning	8		
Cleaning agents	8		
Catalytic cooking compartment panels.....	9		
Removing and installing the door panels	9		

Additional information on products, accessories, replacement parts and services can be found at www.bosch-home.com and in the online shop www.bosch-eshop.com

Important safety information

Read these instructions carefully. Only then will you be able to operate your appliance safely and correctly. Retain the instruction manual and installation instructions for future use or for subsequent owners.

This appliance is only intended to be fully fitted in a kitchen. Observe the special installation instructions.

Check the appliance for damage after unpacking it. Do not connect the appliance if it has been damaged in transport.

Only a licensed professional may connect appliances without plugs. Damage caused by incorrect connection is not covered under warranty.

This appliance is intended for domestic use only. The appliance must only be used for the preparation of food and drink. The appliance must be supervised during operation. Only use this appliance indoors.

This appliance is intended for use up to a maximum height of 2000 metres above sea level.

This appliance may be used by children over the age of 8 years old and by persons with reduced physical, sensory or mental capabilities or by persons with a lack of experience or knowledge if they are supervised or are instructed by a person responsible for their safety how to use the appliance safely and have understood the associated hazards.

Children must not play with, on, or around the appliance. Children must not clean the appliance or carry out general maintenance unless they are at least 8 years old and are being supervised.

Keep children below the age of 8 years old at a safe distance from the appliance and power cable.

Always slide accessories into the cooking compartment correctly. See "*Description of accessories*" in the instruction manual.

Risk of fire!

- Combustible items stored in the cooking compartment may catch fire. Never store combustible items in the cooking compartment. Never open the appliance door if there is smoke inside. Switch off the appliance and unplug it from the mains or switch off the circuit breaker in the fuse box.
- A draught is created when the appliance door is opened. Greaseproof paper may come into contact with the heating element and catch fire. Do not place greaseproof paper loosely over accessories during preheating. Always weight down the greaseproof paper with a dish or a baking tin. Only cover the surface required with greaseproof paper. Greaseproof paper must not protrude over the accessories.

Risk of burns!

- The appliance becomes very hot. Never touch the interior surfaces of the cooking compartment or the heating elements. Always allow the appliance to cool down. Keep children at a safe distance.
- Accessories and ovenware become very hot. Always use oven gloves to remove accessories or ovenware from the cooking compartment.
- Alcoholic vapours may catch fire in the hot cooking compartment. Never prepare food containing large quantities of drinks with a high alcohol content. Only use small quantities of drinks with a high alcohol content. Open the appliance door with care.

Risk of scalding!

- The accessible parts become hot during operation. Never touch the hot parts. Keep children at a safe distance.
- When you open the appliance door, hot steam may escape. Open the appliance door with care. Keep children at a safe distance.
- Water in a hot cooking compartment may create hot steam. Never pour water into the hot cooking compartment.

Risk of injury!

Scratched glass in the appliance door may develop into a crack. Do not use a glass scraper, sharp or abrasive cleaning aids or detergents.

Risk of electric shock!

- Incorrect repairs are dangerous. Repairs may only be carried out by one of our trained after-sales engineers. If the appliance is faulty, unplug the mains plug or switch off the fuse in the fuse box. Contact the after-sales service.
- The cable insulation on electrical appliances may melt when touching hot parts of the appliance. Never bring electrical appliance cables into contact with hot parts of the appliance.
- Do not use any high-pressure cleaners or steam cleaners, which can result in an electric shock.
- When replacing the cooking compartment bulb, the bulb socket contacts are live. Before replacing the bulb, unplug the appliance from the mains or switch off the circuit breaker in the fuse box.
- A defective appliance may cause electric shock. Never switch on a defective appliance. Unplug the appliance from the mains or switch off the circuit breaker in the fuse box. Contact the after-sales service.

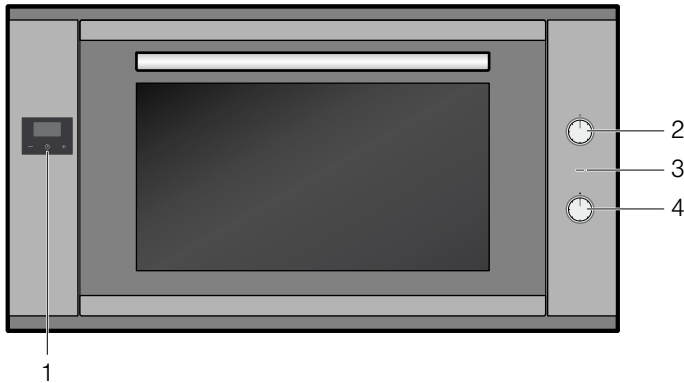
Causes of damage

Caution!

- Accessories, foil, greaseproof paper or ovenware on the cooking compartment floor: do not place accessories on the cooking compartment floor. Do not cover the cooking compartment floor with any sort of foil or greaseproof paper. Do not place ovenware on the cooking compartment floor if a temperature of over 50 °C has been set. This will cause heat to accumulate. The baking and roasting times will no longer be correct and the enamel will be damaged.
- Water in a hot cooking compartment: do not pour water into the cooking compartment when it is hot. This will cause steam. The temperature change can cause damage to the enamel.
- Moist food: do not store moist food in the cooking compartment when it is closed for prolonged periods. This will damage the enamel.
- Fruit juice: when baking particularly juicy fruit pies, do not pack the baking tray too generously. Fruit juice dripping from the baking tray leaves stains that cannot be removed. If possible, use the deeper universal pan.
- Cooling with the appliance door open: only allow the cooking compartment to cool when it is closed. Even if the appliance door is only open a little, front panels of adjacent units could be damaged over time.
- Very dirty door seal: If the door seal is very dirty, the appliance door will no longer close properly when the appliance is in use. The fronts of adjacent units could be damaged. Always keep the door seal clean.
- Appliance door as a seat, shelf or worktop: Do not sit on the appliance door, or place or hang anything on it. Do not place any cookware or accessories on the appliance door.
- Inserting accessories: depending on the appliance model, accessories can scratch the door panel when closing the appliance door. Always insert the accessories into the cooking compartment as far as they will go.
- Carrying the appliance: do not carry or hold the appliance by the door handle. The door handle cannot support the weight of the appliance and could break.

Your new appliance

Get to know your appliance. You will find information on the control panel, the oven, types of heating and accessories.



Explanation

- | | |
|---|----------------------|
| 1 | Electronic clock |
| 2 | Function selector |
| 3 | Indicator light |
| 4 | Temperature selector |

Function selector

Use the function selector to set the heating function.

Setting	Use
<input type="radio"/> Off position	The oven is switched off.
<input type="checkbox"/> Top/bottom heating	For cakes, bakes and lean joints. Heat is emitted evenly from the top and bottom.
<input type="checkbox"/> Hot air	For cakes and pastries on one or two levels. The fan distributes the heat from the ring heating element in the back panel evenly around the cooking compartment.
<input type="checkbox"/> Hot air eco*	For cakes and pastries on one or two levels. The fan distributes the heat from the ring heating element in the back panel evenly around the cooking compartment. With this heating function, the oven lighting remains switched off.
<input type="checkbox"/> Air recirculation	For cakes, pastries and fresh pizza on one or two levels. The fan distributes heat from the heating elements evenly around the cooking compartment.
<input type="checkbox"/> Pizza setting	Quick preparation of frozen products without preheating, e.g. pizza, chips or strudel. The bottom heating element and the ring heating element in the back panel heat up.
<input type="checkbox"/> Hot air grill	For baking or roasting meat, poultry and whole fish. The fan causes the hot air to circulate around the dish.
<input type="checkbox"/> Full-surface grill	For grilling steaks, sausages, toast and pieces of fish. The whole area below the grill element becomes hot.

* Heating function used to determine the energy efficiency class in accordance with EN 50304.

Setting	Use
<input type="checkbox"/> Centre-area grill	For grilling small amounts of steak, sausages, toast and pieces of fish. The centre part of the grill heating element becomes hot.
<input type="checkbox"/> Bottom heating	For extending the cooking time. The heat is emitted only from below.
<input type="checkbox"/> Lighting	The oven lighting is switched on.

* Heating function used to determine the energy efficiency class in accordance with EN 50304.

Note: When you set the heating function, the oven light in the cooking compartment switches on.

Note: With the "Hot air eco" heating function, the oven lighting remains switched off.

Temperature selector

Set the temperature or grill setting using the temperature selector.

Setting	Meaning
<input type="radio"/> Off position	The oven does not heat up.
50-250 range	Temperature range The temperature in the cooking compartment in °C.

The indicator light is lit when the oven is heating up. It goes out during pauses in heating.

The electronic clock

You can use the electronic clock to control your oven. You can therefore preselect, for example, the time at which the oven is to switch on or at which time the automatic timer is to end the baking or cooking process. The electronic clock can also be used as a timer.

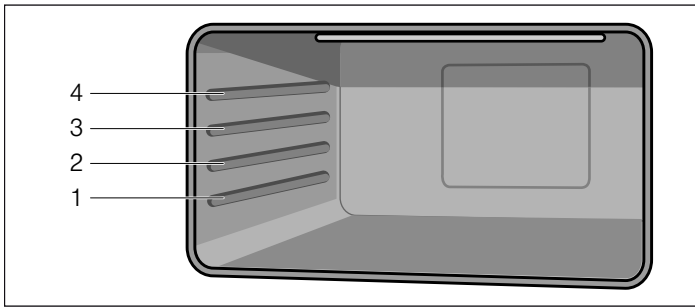


Function buttons for the electronic clock

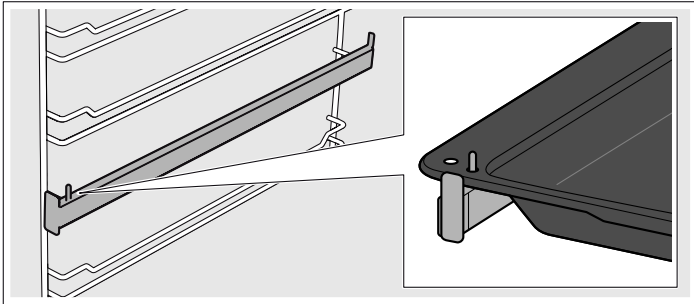
Symbol	Meaning	Use
<input type="checkbox"/> Clock icon	Electronic clock	Sets the cooking time or the time
-	Minus	Reduces the cooking time or the time
+	Plus	Increases the cooking time or the time

Accessories

The accessories can be inserted into the cooking compartment at 4 different levels. Always insert them as far as they will go so that the accessories do not touch the door panel. Ensure that the accessories have always been inserted into the cooking compartment correctly.



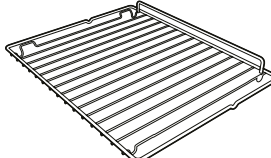
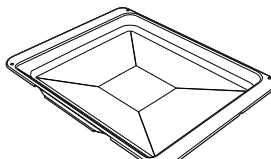
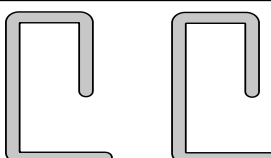
The pull-out rails allow you to pull accessories out completely.



You can pull out the accessories two thirds of the way without them tipping. This allows dishes to be removed easily.

The accessories may become deformed when they become hot. As soon as they have cooled down, the deformation disappears with no effect on the function.

You can buy accessories from the after-sales service, from specialist retailers or online.

Accessories	Description
	Baking and roasting shelf For ovenware, cake tins, joints, grilled items, frozen meals.
	Enamel baking tray For moist cakes, pastries, frozen meals and large roasts. Can also be used as a drip tray to collect run-off fat.
	Locking pins For locking the hinges.


Before using the oven for the first time

In this section, you can find out what you must do before using your appliance to prepare food for the first time. Read the *Safety information* section beforehand.

Remove the appliance packaging and dispose of it appropriately.

Setting the clock

After the appliance has been connected to the mains or after a power cut, three zeros and the "A" symbol flash on the display.

1. Press the  button until the dot flashes on the display.
2. Set the current time with the "+" and "-" buttons.

After seven seconds, the time that has been set is adopted.

Note: To change the set time, press the "+" and "-" buttons until the dot flashes on the display. Then set the current time with the "+" and "-" buttons.

Baking out the oven

Precleaning the oven

1. Remove the accessories and the hook-in racks from the cooking compartment.
2. Completely remove any leftover packaging, e.g. small pieces of polystyrene, from the cooking compartment.
3. Some parts are covered with a protective film. Remove this scratch protection film.
4. Clean the outside of the appliance with a soft, damp cloth.
5. Clean the cooking compartment with hot soapy water.

Heating up the oven

To remove the new cooker smell, heat up the oven when it is empty and closed.

1. Turn the function selector to the Top/bottom heating operating mode.
2. Turn the temperature selector to the maximum temperature.
3. Switch the oven off after 40 minutes.

Note: When the appliance is heating up for the first time, you may hear crackling noises coming from the oven.

Recleaning the oven

1. Clean the cooking compartment with hot soapy water.
2. Refit the hook-in racks.

Cleaning the accessories

Before using the accessories, clean them thoroughly using a cloth and warm soapy water.

How to operate your oven

Pop-out operating controls

The function selector and the temperature selector can be popped out. Press the operating control in question to pop it in or out.

Switching on the oven

1. Use the function selector to set the heating function.
2. Use the temperature selector to set the temperature.

The oven begins to heat up.

Switching off the oven

Turn the function selector and temperature selector to the off position.

Changing settings

The heating function and temperature or grill setting can be changed at any time using their respective selectors.

Heating up

To heat up the cooking compartment as quickly as possible, use the "Circulated air" heating function. If the set temperature has been reached (indicator light has gone out), set the required heating function.

Operating the electronic clock

In addition to the clock time and remaining time, the following symbols may appear on the display:

Symbol	Meaning
•	Dot between the displayed hours and minutes. Flashes when it is possible to set the clock time.
🕒	Timer Displays the operating statuses for the timer.
A	Automatic mode Displays the operating statuses for Automatic mode.
🔌	Operating readiness If this symbol is displayed, the oven is ready to use.

Setting the time on the clock

After the appliance has been connected to the mains or after a power cut, three zeros and the "A" symbol flash on the display.

1. Press the ⌚ button until the dot flashes on the display.
2. Set the current time with the "+" and "-" buttons.

After seven seconds, the time that has been set is adopted.

Note: To change the set time, press the "+" and "-" buttons until the dot flashes on the display. Then set the current time with the "+" and "-" buttons.

Setting the timer

The timer has no influence on the functions of the oven. The duration of the timer can be set to between 1 minute and 23 hours and 59 minutes.

1. Press the ⌚ button until the 🕒 symbol flashes on the display and three zeros are displayed.
2. Set the required cooking time with the "+" and "-" buttons.
An audible signal sounds once the time has elapsed.

Notes

- To change the remaining time, press the ⌚ button until the 🕒 symbol flashes on the display. Then change the remaining time with the "+" and "-" buttons.
- To cancel the setting, press the ⌚ button until the symbol flashes on the display. Then press the "+" and "-" buttons at the same time.

Switching off the acoustic signal

Press the ⌚ button until the 🕒 symbol disappears.

After seven minutes, the signal switches off automatically.

Changing the audible signal

Three different audible signals are available.

1. Press the "+" and "-" buttons simultaneously.
2. Press the ⌚ button.
The current audible signal is shown in the display panel, e.g. "Tone 1".
3. Press the "-" button to select a different audible signal.

Setting the automatic timer

The electronic clock can be used to switch the oven on or off automatically.

Automatic switch-off

1. Press the ⌚ button until the 🕒 symbol flashes on the display and three zeros are displayed.
2. Press the ⌚ function button again until "dur" and "0.00" flash alternately on the display panel and the "A" symbol flashes.
3. Set the cooking time with the "+" and "-" buttons.
The cooking time can be set to between 1 minute and 10 hours.
4. Set the required heating function and temperature.
The oven starts and the A symbol and the current clock time appear on the display panel.

The cooking time has elapsed

An audible signal sounds, the 🔌 symbol disappears from the display panel and the A symbol flashes.


1. Switch off the temperature selector and function selector.
2. Press the ⌚ button until the 🔌 symbol appears.
The oven switches back to manual mode.


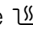
Automatic switch-on and switch-off

Baking or roasting starts for the set duration at a later time which you chose.

1. Press the ⌚ button until the 🕒 symbol flashes on the display and three zeros are displayed.
2. Press the ⌚ function button again until "dur" and "0.00" flash alternately on the display panel and the "A" symbol flashes.
The current time may be 17:30, for example.
3. Set the cooking time (e.g. 1 hour) with the "+" and "-" buttons.
The cooking time can be set to between 1 minute and 10 hours.
4. Press the ⌚ function button again until "End" and the switch-off time "18:30" (i.e. the current time plus the set cooking time) flash alternately on the display panel.
5. Set the switch-off time (e.g. 19:30) using the "+" and "-" buttons.
The switch-off time can be set to up to 23 hours and 59 minutes.
6. Set the required heating function and temperature.
The 🔌 symbol disappears from the display panel.
In this example, the oven starts at 18:30 and switches off again at 19:30.

The cooking time has elapsed


An audible signal sounds, the  symbol disappears from the display panel and the **A** symbol flashes.

1. Switch off the temperature selector and function selector.
2. Press the  button until the  symbol appears.
The oven switches back to manual mode.

Displaying and changing set values





The set values and the remaining time for the various operating modes of the electronic clock can be viewed and changed on the display panel at any time.

Displaying the remaining time for the timer

Press the  button until the  symbol flashes on the display.

The remaining time appears on the display and can be changed with the "+" and "-" buttons.

Displaying and changing the cooking time and switch-off time.

1. Press the  button until the  symbol flashes on the display panel.
2. Press the  button again until "dur" and the remaining cooking time flash alternately on the display panel and the **A** symbol flashes.
The cooking time can be changed with the "+" and "-" buttons. Press the "+" and "-" buttons at the same time to switch off the automatic timer.
3. Press the  button again until "End" and the set switch-off time flash alternately on the display panel.
The switch-off time can be changed with the "+" and "-" buttons. Press the "+" and "-" buttons at the same time to switch off the automatic timer.

Care and cleaning

With good care and cleaning, your oven will remain clean and fully-functioning for a long time to come. Here we will explain how to maintain and clean your oven correctly.

Notes

- Slight differences in the colours on the front of the oven are caused by the use of different materials, such as glass, plastic and metal.
- Shadows on the door panel which look like streaks, are caused by reflections made by the oven light.
- Enamel is baked on at very high temperatures. This can cause some slight colour variations. This is normal and does not affect their function. The edges of thin trays cannot be completely enamelled. As a result, these edges can be rough. This will not impair the anti-corrosion protection.

Risk of electric shock!

Do not use any high-pressure cleaners or steam cleaners, which can result in an electric shock.

Risk of burns!

The appliance becomes very hot. Never touch the interior surfaces of the cooking compartment or the heating elements. Always allow the appliance to cool down. Keep children at a safe distance.

Cleaning agents

Damage to the various different surfaces caused by using the wrong cleaning agent can be avoided by observing the following instructions.

Do not use

- harsh or abrasive cleaning agents
- cleaning agents with high concentrations of alcohol
- hard scouring pads and sponges
- high-pressure cleaners or steam cleaners.

Wash new sponge cloths thoroughly before use.

Area	Cleaning agents
Appliance exterior	Hot soapy water: Clean with a dish cloth and dry with a soft cloth. Do not use glass cleaners or glass scrapers.
Stainless steel	Hot soapy water: Clean with a dish cloth and dry with a soft cloth. Remove flecks of limescale, grease, starch and albumin (e.g. egg white) immediately. Corrosion can form under such residues. Special stainless steel cleaning products suitable for hot surfaces are available from our after-sales service or from specialist retailers. Apply a very thin layer of the cleaning product with a soft cloth.
Aluminium and plastic	Glass cleaner: Clean with a soft cloth.
Enamel surfaces (smooth surfaces)	To facilitate cleaning, you can switch on the interior lighting and detach the appliance door if necessary. Apply commercially available washing-up liquid or a vinegar solution with a soft, damp cloth or chamois; dry with a soft cloth. Loosen baked-on food residues with a damp cloth and detergent. We recommend using oven cleaning gel if the oven is very dirty. This can be applied to the affected area. Leave the cooking compartment open after cleaning to allow it to dry.
Self-cleaning surfaces (rough surfaces)	Please see the notes in section: Self-cleaning surfaces
Door panels	Glass cleaner: Clean with a soft cloth. Do not use a glass scraper.
Glass cover for the oven light bulb	Hot soapy water: Clean with a dish cloth.
Seal Do not remove.	Hot soapy water: Clean with a dish cloth. Do not scour.
Shelves	Hot soapy water: Soak and clean with a dish cloth or brush.
Accessories	Hot soapy water: Soak and clean with a dish cloth or brush.

Catalytic cooking compartment panels

The catalytic cooking compartment panels are coated with self-cleaning enamel.

The surfaces clean themselves while the oven is in operation. Larger splashes will only be removed after the oven has been used several times.

Self-cleaning surfaces

The side walls are covered with catalytic panelling. Never clean these surfaces with oven cleaner. Slight discolouration of the enamel does not affect automatic self-cleaning.

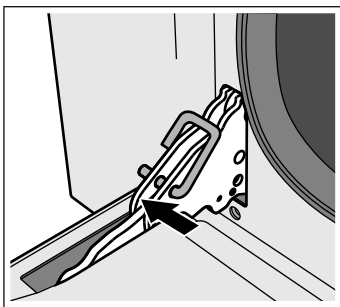
Removing and installing the door panels

To facilitate cleaning, you can remove the glass panels from the oven door.

Removing the door panels

1. Open the oven door fully.
2. Lock both hinges on the left and right using the locking pin.

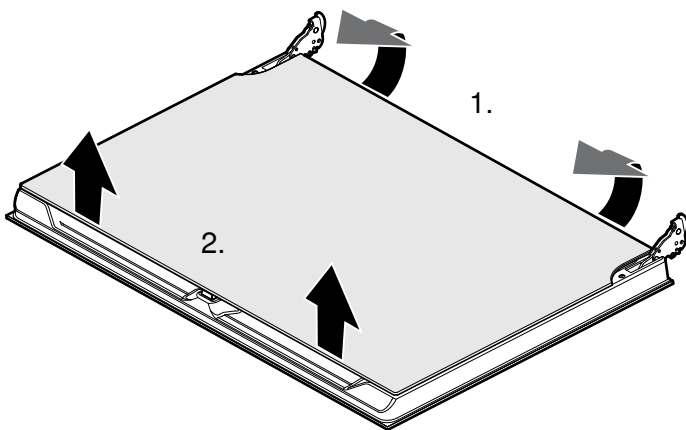
Note: The locking pins must be fully inserted into the holes in the hinges.



3. Lift the bottom of the inner panel slightly until the fastening pins come out of the holder (1).
4. Carefully lift the top of the inner panel until the fastening pins come out of the holder (2).

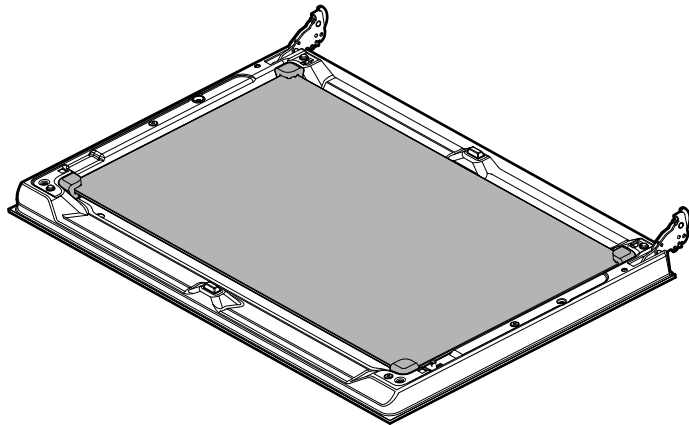
Caution!

When lifting the inner panel, the middle panel may stick to the inner panel. Make sure that the middle panel does not fall.

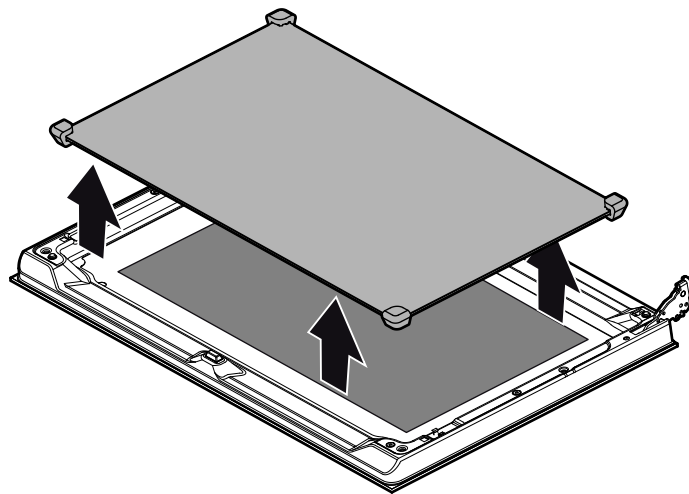


5. Remove the inner panel.

6. Remove the middle panel.



Note: The middle panel is kept in place with rubber bushings rather than retaining pins.



Clean the panels with glass cleaner and a soft cloth.

⚠ Risk of injury!

Scratched glass in the appliance door may develop into a crack. Do not use a glass scraper, sharp or abrasive cleaning aids or detergents.

Fitting the door panels

1. Reinsert the middle panel.

Notes

- If the Low-E symbol can be read, the middle panel is inserted correctly.
- Make sure that the panel is seated correctly. All rubber mounts must lay flat against the outer panel.

2. Reinsert the inner panel.

Note: All four fastening pins must engage in the holders provided for them.

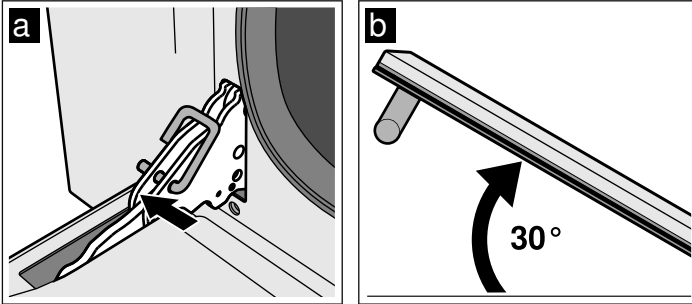
3. Remove the locking pins and close the oven door.

Removing and fitting the appliance door

If the oven is very heavily soiled, the oven door can be removed for easier cleaning. Normally, however, this is not necessary.

Removing the appliance door

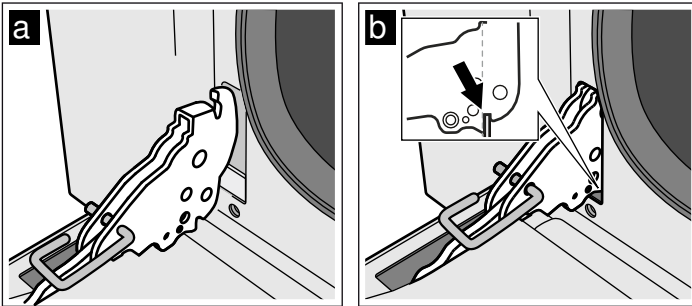
1. Open the oven door fully.
2. Lock both hinges on the left and right using the locking pin (a).
Note. The locking pins must be fully inserted into the holes in the hinges.
3. Grip the oven door on either side with both hands and close the oven door by approx. 30° (b).



4. Raise the oven door slightly and pull it out.
Note. Do not fully close the oven door. The hinges could become bent and the enamel could be damaged.

Fitting the appliance door

1. Grip the oven door on either side with both hands.
2. Slide the hinges into the slots in the oven (a).
Note. The notch below the hinges must engage into the frame of the oven (b).



3. Lower the door downwards.
4. Remove the locking pins.

Risk of injury!

Do not reach into the hinge if the oven door falls out unintentionally or a hinge snaps closed. Call after-sales service.

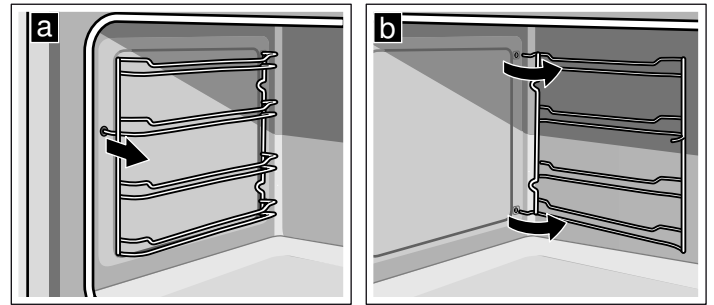
Removing and inserting the hook-in racks

You can remove the hook-in racks for easier cleaning.

Removing the hook-in racks

The hook-in racks are each fixed to the side panels of the cooking compartment at three points.

1. Grip the front of the hook-in rack and pull it to the middle of the cooking compartment.
The front hook of the hook-in rack will release from the hole.
2. Fold out the hook-in rack further and pull it from the rear holes of the side panel.
3. Hold the catalytic cooking compartment panel in place.
4. Remove the hook-in rack from the cooking compartment.



Inserting the hook-in rack

1. Hold the catalytic cooking compartment panel in place.
2. Insert the hooks of the hook-in rack into the rear holes in the side panel.
3. Press the front hook of the hook-in rack into the hole.

Troubleshooting

Malfunctions often have simple explanations. Please read the following notes before calling the after-sales service.

Problem	Possible cause	Notes/remedy
The appliance does not work.	Circuit breaker faulty.	Look in the fuse box and check that the circuit breaker for the cooker is in working order.
	Power cut	Check whether the kitchen light works.
The oven cannot be switched off.	The electronics are faulty.	Switch off the circuit breaker. Contact the after-sales service.
The clock display flashes.	Power cut	Reset the clock.
The oven does not heat up.	Circuit breaker faulty.	Check the circuit breaker and replace if necessary.
	The function selector has not been set.	Set the function selector.
The door glass is broken.		Switch off the appliance. Contact the after-sales service.
Fruit juice or albumen stains on enamelled surfaces.	Moist cake or meat juices.	Harmless change in the enamel, cannot be removed.

⚠ Risk of electric shock!

Incorrect repairs are dangerous. Repairs may only be carried out by one of our trained after-sales engineers.

Incorrect repairs may result in significant risk to the user.

Replacing the oven light bulb

If the oven light bulb fails, it must be replaced. Replacement heat-resistant bulbs can be obtained from the after-sales service or from specialist retailers. Please specify the E number and FD number of your appliance. Do not use any other type of bulb.

After-sales service

Our after-sales service is there for you if your appliance needs to be repaired. We will always find the right solution in order to avoid unnecessary visits from a service technician.

E number and FD number

When calling us, please give the product number (E no.) and the production number (FD no.) so that we can provide you with the correct advice. To find the identification plate with the numbers, open the oven door and look at the front of the bottom of the cooking compartment. To save time, you can make a note of the number of your appliance and the telephone number of the after-sales service in the space below, should it be required.

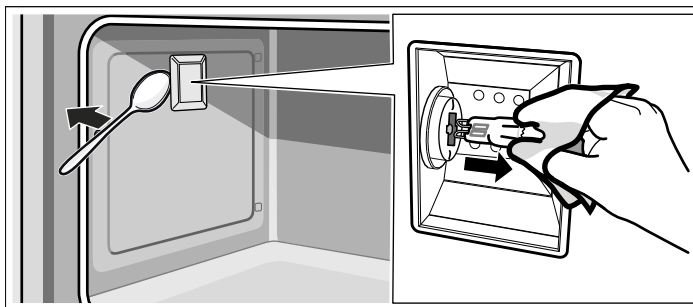
E no. _____ **FD no.** _____

After-sales service ☎

⚠ Risk of electric shock!

When replacing the cooking compartment bulb, the bulb socket contacts are live. Before replacing the bulb, unplug the appliance from the mains or switch off the circuit breaker in the fuse box.

1. Allow the cooking compartment to cool down.
2. Open the appliance door.
3. Place a tea towel in the cooking compartment to prevent damage.
4. Remove the hook-in racks.
5. Remove the glass cover. To do this, open the glass cover at the front with your hand. Should you experience difficulties removing the glass cover, use a spoon to help.
6. Remove the oven light bulb.



7. Replace the oven light bulb with a bulb of the same type:

Voltage: 230 V;

Power: 40 W;

Fitting: G9;

Temperature resistance: 300 °C

8. Refit the glass cover for the oven light bulb.
9. Refit the hook-in racks.
10. Remove the tea towel.
11. Switch the circuit breaker back on.
12. Check that the oven lighting is working again.

Please note that there will be a fee for a visit by a service technician in the event of a malfunction, even during the warranty period.

You can find the contact information for your nearest after-sales service in all countries here or in the attached after-sales service directory.

Repair order and advice if faults occur

A 0810 240 260

D 01801 22 33 55
(€0.039/min. from a landline,
max. €0.42/min. from a mobile phone)

CH 0848 840 040

Put your trust in the expertise of the manufacturer. You can then be sure that the repair work is carried out by trained service technicians who can supply original spare parts for your household appliance.

Energy and environment tips

Here you can find tips on how to save energy when baking and roasting and how to dispose of your appliance properly.

Saving energy

- Only preheat the oven when it is specified in the recipe that you should do so.
- Use dark, black lacquered or enamelled baking tins. They absorb the heat particularly well.
- Open the oven door as infrequently as possible while you are cooking, baking or roasting.
- It is best to bake several cakes one after the other. The oven is still warm. This reduces the baking time for the second cake. You can also place two loaf tins next to each other.
- For longer cooking times, you can switch the oven off 10 minutes before the end of the cooking time and use the residual heat to finish cooking.

Environmentally-friendly disposal

Dispose of packaging in an environmentally-friendly manner.



This appliance is labelled in accordance with European Directive 2012/19/EU concerning used electrical and electronic appliances (waste electrical and electronic equipment - WEEE). The guideline determines the framework for the return and recycling of used appliances as applicable throughout the EU.

Acrylamide in foodstuffs

Acrylamide is mainly produced in grain and potato products prepared at high temperatures, such as potato crisps, chips, toast, bread rolls, bread or fine baked goods (biscuits, gingerbread, cookies).

Tips for keeping acrylamide to a minimum when preparing food

General	<ul style="list-style-type: none">■ Keep cooking times to a minimum.■ Cook meals until they are golden brown, but not too dark.■ Large, thick pieces of food contain less acrylamide.
Baking	With Top/bottom heating max. 200 °C. With 3D hot air or hot air max. 180 °C.
Biscuits	With Top/bottom heating max. 190 °C. With 3D hot air or hot air max. 170 °C. Egg or egg yolk reduces the production of acrylamide.
Oven chips	Spread out a single layer evenly on the baking tray. Cook at least 400 g at once on a baking tray so that the chips do not dry out.

Tips for using your appliance

Here you will find a selection of tips on ovenware and preparation methods.

Notes

- Use the accessories provided. Additional accessories may be obtained as special accessories from specialist retailers or from the after-sales service.
Before using the oven, remove any unnecessary accessories and ovenware from the cooking compartment.
- Always use an oven cloth or oven gloves when taking accessories or cookware out of the cooking compartment.

Baking tips

How to establish whether sponge cake is baked through.	Approx. 10 minutes before the end of the baking time stated in the recipe, insert a cocktail stick into the cake at its deepest point. If no cake mixture sticks to the wood, the cake is ready.
The cake collapses.	Use less fluid next time or set the oven temperature 10 degrees lower. Note the stirring times indicated in the recipe.
The cake has risen high in the middle and less around the edges.	Do not grease the sides of the springform cake tin. After baking, carefully loosen the cake using a knife.
The cake is too dark on the top.	Place it lower in the oven, select a lower temperature and bake the cake for a little longer.
The cake is too dry.	When it is done, make small holes in the cake using a cocktail stick. Then drizzle fruit juice or an alcoholic drink over it. Next time, set the temperature 10 degrees higher and reduce the baking time.
The bread or cake (e.g. cheesecake) looks good but is sticky on the inside (soggy with wet streaks).	Next time, use less liquid and bake at a lower temperature for slightly longer. For cakes with a moist topping, bake the base first. Sprinkle it with almonds or bread crumbs and then place the topping on top. Take care to follow recipes and baking times.
The pastries are not evenly browned.	Select a slightly lower temperature to ensure that the cake is baked more evenly. Excess greaseproof paper can affect the air circulation. Always cut the greaseproof paper to suit the size of the baking tray.
The bottom of a fruit flan is too light.	Place the cake one level lower the next time.
The fruit juice overflows.	Next time, use the deeper universal pan, if you have one.
Small baked items made out of yeast dough stick to one another during baking.	There should be a gap of approx. 2 cm around each item. This gives enough space for the baked items to expand and turn brown on all sides.
Condensation forms when you bake moist cakes.	Baking may create water vapour, which escapes above the door. The steam may settle and form water droplets on the control panel or on the fronts of adjacent units. This is a natural process.

Roasting and grilling

Ovenware

You may use any heat-resistant ovenware. Always place the ovenware in the middle of the wire rack. The enamelled baking tray is also suitable for large roasts.

Roasting tips

- A lower temperature produces more even browning.
- Depending on the size of the joint, add 2 or 3 tablespoons of liquid to lean meat and 8 to 10 tablespoons of liquid to pot roasts.
- When cooking duck or goose, pierce the skin on the underside of the wings to allow the fat to run out.
- Poultry will turn out particularly crispy and brown if you baste it towards the end of the roasting time with butter, salted water or orange juice.
- Turn pieces of meat halfway through the cooking time.
- When the roast is ready, turn off the oven and allow it to rest for an additional 10 minutes. This will allow the meat juices to distribute themselves better inside the roast.

Baking

Baking tins

- Use light-coloured baking tins and trays wherever possible.
- Always place the baking tins on the middle of the baking and roasting wire rack.

- When roasting large pieces of meat, you may find that the amount of steam and condensation on the oven door is more than usual. This is a normal occurrence which has no effect on the oven's performance. Once roasting is complete, dry the oven door and window with a cloth.
- If you are roasting on the wire rack, insert the enamelled baking tray into shelf position 1 to collect the drips of fat.

Grilling tips

- If possible, grill items should be of equal thickness. They should be at least 2 to 3 cm thick. This ensures that they brown evenly while also remaining succulent.
- Place the food to be grilled in the centre of the wire rack. Pour a little water into the enamelled baking tray and insert this into the shelf position underneath the grill to collect the drips of fat. Never place it on the cooking compartment floor.
- Drizzle some oil over the food to be grilled before you place it on the wire rack under the grill.
- If the food to be grilled is thin, turn it over halfway through grilling; if it is thick, turn it over several times during grilling. Use tongs when turning the food to avoid piercing it and, in the case of meat, to keep the meat juices inside the meat.
- Dark meats such as lamb and beef brown better and more quickly than light meats such as pork and veal.

Roasting tips

How can you tell when the roast is ready?	Use a meat thermometer (available from specialist retailers) or carry out a "spoon test". Press down on the roast with a spoon. If it feels firm, it is ready. If the spoon can be pressed in, it needs to be cooked for a little longer.
The roast is too dark and the crackling is burnt in places.	Check the shelf position and temperature.
The roast looks good but the juices are burnt.	Next time, use a smaller roasting dish and add more liquid.
The roast looks good, but the juices are too clear and watery.	Next time, use a larger roasting dish and add less liquid.

Tested for you in our cooking studio.

Here, you can find a selection of dishes and the ideal settings for them. We will show you which type of heating, temperature and shelf position are best suited for your dish.

Notes

- The times specified in the tables are only guidelines. They will depend on the quality and composition of the food.
- Use the accessories provided. Additional accessories may be obtained as optional accessories from specialist retailers or from the after-sales service.
Before using the oven, remove any unnecessary accessories and ovenware from the cooking compartment.
- Always use an oven cloth or oven gloves when taking hot accessories or cookware out of the cooking compartment.

All values refer to a preheated oven.

Dish	Weight (kg)	Shelf position	Type of heating	Temperature in °C	Cooking time in minutes
Lasagne	3-4	1		200-230	50-60
Pasta bake	2	1		220-230	40-45
Joint of veal	1.5	2		180-190	70-80
Pork loin	1	2		180-190	50-60
Joint of hare	1.5	2		180-190	70-80
Grilled chicken	1	2		180-190	50-60
Grilled chicken	2	2		180-190	80-90
Sausage	1	3		max.	7-9 first side 5-6 second side
Pork chop	2	4		max.	12-15 first side 5-7 second side
Fresh fish	1.5	2		160-170	50-60
Fresh pizza	2	1		max.	9-11
Bread	2	2		190-200	40-50
Sponge cake	1	2		150-160	50-60
Jam tarts	1	2		160-170	40-50
Brioche	1	2		160-170	25-30
Muffins	x 15, 30 g each	2		170	25

إرشادات بخصوص الشواء

- قم برش القليل من الزيت على الطعام المراد شواؤه قبل وضعه على شبكة الشواء أسفل الشواية.
- اقلب القطع الرفيعة المراد شواؤها بعد انقضاء نصف زمن الشواء، أما القطع السمكية فيجب قلبها مرات عديدة أثناء زمن الشواء. استخدم في ذلك ماشية للشواء، وبذلك لا يتم ثقب الطعام المراد شواؤه وتظل قطع اللحم مثلاً محتفظة بصوص اللحم.
- أصناف اللحوم قاتمة اللون مثل لحم الضأن واللحم البقري تكتسب اللون البني بشكل أسرع وبصورة أفضل من لحوم البتلو التي تتميز باللون الفاتح.

- احرص قدر الإمكان أن تكون قطع الطعام التي تقوم بشوائها متساوية في السمك. ويتعين أن يكون سمكها من 2 إلى 3 سم على الأقل. وبذلك يتم تحميرها بشكل متجانس وتبقى نضرة وغضة.
- ضع الطعام المراد شواؤه على منتصف شبكة الشواء. ضع قليلاً من الماء على لوح الخبز المطلي بطبقة المينا (الإيناميل)، واضبطه بشكل إضافي على مستوى الارتفاع السفلي لتجميع الدهون. ولا تضعه أبداً على أرضية حيز الطهي.

إرشادات بخصوص التحمير

كيف يمكنك التحقق من نضج قطع اللحم.	استخدم ترمومتر اللحوم (متوفر في المتاجر المتخصصة) أو قم بعمل «اختبار الملعقة». اضغط بالملعقة على قطعة اللحم. فإذا توغلغ فيها، فهذا يعني أن اللحم قد نضج. إذا هبطت قطعة اللحم، فهذا يعني أنها لا زالت تحتاج لبعض الوقت.
اكتسبت قطعة اللحم لوناً قاتمًا للغاية واحترقت بعض المواضع من سطحها الخارجي.	تحقق من مستوى الإدخال ودرجة الحرارة.
قطعة اللحم تبدو بحالة جيدة، ولكن الصوص محترق.	في المرة القادمة، اختر إناءً أصغر للشواء وأضف المزيد من السوائل.
قطعة اللحم تبدو بحالة جيدة، ولكن الصوص فاتح اللون للغاية ومخفف للغاية.	في المرة القادمة، اختر إناءً أكبر للشواء وأضف كمية أقل من السوائل.

الأطباق التي تم اختبارها في ستوديو الطهي الخاص بنا

ستجد هنا باقة من الأطباق وأوضاع الضبط المثالية لها. وسوف نعرض لك نوع التسخين ودرجة الحرارة ومستوى الارتفاع الأنسب للطبق الذي تعده.

ملاحظات

- تعتبر بيانات الوقت الواردة في الجداول قيماً استرشادية. وهي تعتمد على جودة وخصائص الأطعمة.

الطبق	الوزن (كجم)	المستوى	نوع التسخين	درجة الحرارة °م	المدة بالدقائق
لازانيا	3-4	1	☐	200-230	50-60
معكرونة فرن	2	1	☐	220-230	40-45
لحم عجل مشوي	1.5	2	☒	180-190	70-80
أرنب مشوي	1.5	2	☒	180-190	70-80
دجاج مشوي	1	2	☒	180-190	50-60
دجاج مشوي	2	2	☒	180-190	80-90
نقانق مشوية	1	3	☒	الحد الأقصى	7-9 الجانب الأول 5-6 الجانب الثاني
سمك طازج	1.5	2	☒	160-170	50-60
بيتزا طازجة	2	1	☒	الحد الأقصى	9-11
خبز	2	2	☒	190-200	40-50
كيك إسفنجي	1	2	☒	150-160	50-60
تارت المربي	1	2	☐	160-170	40-50
بريوش	1	2	☒	160-170	25-30
المافن	15 قطعة لكل 30 جرام	2	☒	170	25

نصائح الاستخدام

تجد هنا مجموعة من النصائح حول أواني الطهي وطرق التحضير.

إعداد المخبوزات

صواني إعداد المخبوزات

- يُفضل استخدام صواني وصاجات إعداد المخبوزات المعدنية فاتحة اللون.
- ضع صواني المخبوزات دائماً في منتصف شبكة الخبيز والشواء.

ملاحظات

- استخدم الكماليات الموردة مع الجهاز. ويمكنك الحصول على الكماليات الإضافية ككماليات خاصة من المتاجر المتخصصة أو من خدمة العملاء.
- قبل استخدام الفرن، أخرج الكماليات غير الضرورية والأواني من حيز الطهي.
- استخدم دائماً فوطة أواني عند إخراج الكماليات أو الأواني الساخنة من حيز الطهي.

نصائح لإعداد المخبوزات

كيف تتحقق من نضج الكيك الإسفنجي.	قبل حوالي 10 دقائق من نهاية وقت الخبيز المحدد في الوصفة اغرس خلة خشبية في الكيك من أعلى نقطة. إذا لم يلتصق العجين بالخلة، تكون الكيك قد نضجت.
الكيك يهبط.	استخدم كمية أقل من السوائل في المرة القادمة أو اضبط الفرن على درجة حرارة أقل بمقدار 10 درجات. تراعى أوقات الخفق المحددة في الوصفة.
الكيك مرتفع من المنتصف ولكنه منخفض عند الحواف.	لا تقم بدهن جوانب صينية الكيك القابلة لفصل الجوانب بالزبدة. بعد الخبيز، افصل الكيك بحرص باستخدام سكين.
الكيك يكتسب لوناً قاتمًا جداً من أعلى.	ضعه على مستوى أكثر انخفاضاً في الفرن، واختر درجة حرارة أقل وأطول زمن الخبز قليلاً.
الكيك جاف جداً.	قم بعمل ثقب صغيرة في الكيك بعد تجهيزه بواسطة خلة خشبية. ثم قم برش عصير فواكه أو أي مشروب على الكيك في المرة القادمة اختر درجة حرارة أعلى بمقدار 10 درجات وقلل أزمانه الخبز.
الخبز أو الكيك (التشيز كيك مثلاً) يبدو جيداً من الخارج، ولكن من الداخل لا يزال رطباً (لزجاً، مشبعاً بالماء)	استخدم كمية أقل من السوائل في المرة القادمة، وقلل أزمانه الخبز. وقم بإطالة زمن الخبيز بعض الشيء على درجة حرارة أقل. بالنسبة للكيك ذي الطبقة العلوية الرطبة قم أولاً بإجراء إعداد مسبق لقاعدة الكيك. قم برشه باللوز أو الخبز المدقوق ثم ضع الطبقة العلوية بأعلى. يرجى مراعاة الوصفات وأزمانه الخبز.
المخبوزات محمرة بشكل غير متساوٍ.	اختر درجة حرارة أقل بعض الشيء فتنضج المخبوزات بشكل متساوٍ. ورق المخبوزات البارز يمكن أن يؤثر على تدوير الهواء. لذا قم دائماً بقطع ورق إعداد المخبوزات بما يتناسب مع لوح الخبيز.
كيك الفواكه فاتح جداً من أسفل.	أخفض الكيك بمقدار مستوى واحد في المرة القادمة.
عصير الفواكه يفيض.	في المرة القادمة استخدام اللوح العميق متعدد الاستخدامات.
المخبوزات صغيرة الحجم المصنوعة من العجين المخمر تلتصق ببعضها عند خبزها.	ينبغي أن يكون هناك فاصل بمقدار 2 سم تقريباً بين كل قطعة والأخرى. وهذا يسمح بوجود حيز كاف لتمدد قطع المخبوزات بشكل جيد وتجانس لونها من جميع الجهات.
يتكون ماء متكثف عند إعداد أنواع الكيك الرطب.	قد ينتج بخار ماء عن الخبيز. وهذا البخار يخرج من فوق الباب. وقد يتكثف هذا البخار ويكون قطرات ماء متكثف على نطاق الاستعمال أو على واجهات الوحدات المجاورة. وهذا أمر طبيعي.

التحمير والشواء

الإناء

- عند طهي قطع كبيرة من اللحم قد يتكون بخار الماء بشكل كثيف على باب الفرن. وهو ظاهرة طبيعية ليس لها أي تأثير على الكفاءة الوظيفية. بعد الانتهاء من عملية الطهي، قم بتجفيف باب الفرن ونافاذة الرؤية بقطعة قماش.
- عند الطهي على شبكة الشواء، اضبط لوح الخبيز المطلي بطبقة المينا (الإيناميل) على مستوى الارتفاع 1 لتجميع الدهون.

يمكنك استخدام أي أواني مقاومة للسخونة. ضع الأواني دائماً في منتصف شبكة الشواء. ويعد لوح الخبيز المطلي بطبقة المينا (الإيناميل) مناسباً لقطع اللحم الكبيرة.

إرشادات بخصوص التحمير

- درجة الحرارة المنخفضة تعمل على تجانس اللون البني للمخبوزات.
- أضف ملعقتين أو ثلاثة من السوائل إذا كان اللحم خالياً من الدهون، وأضف من 8 إلى 10 ملاعق مع الكباب حلة، حسب حجمها.
- مع البط أو الأوز، انقب الجلد أسفل الأجنحة، وبذلك يمكن أن تسيل الدهون خارجها.
- تكتسي لحوم الطيور بطبقة بنية مقرمشة للغاية إذا دهنتها بقليل من الزبدة أو محلول ملح أو عصير برتقال قبيل انتهاء زمن الطهي.
- اقلب قطع اللحم بعد انقضاء نصف زمن الطهي.
- بعد أن ينضج لحم الروست، يجب تركه يهدأ لمدة 10 دقائق إضافية داخل الفرن وهو مغطى ومغلق. وبذلك يتوزع صوص اللحم بشكل أفضل.

طلب الإصلاح والمشورة في حالة الاختلالات

النمسا 0810 240 260

ألمانيا 01801 22 33 55

(0,039 يورو/دقيقة من الهاتف الثابت،

الهاتف الجوال بحد أقصى 0,42 يورو/دقيقة).

سويسرا 0848 840 040

ثق في كفاءة وخبرة الجهة الصانعة. ومن ثم تأكد أن الإصلاح سوف يتم بمعرفة فنيي خدمة مدربين ومزودين بقطع الغيار الأصلية لجهازك المنزلي.

نصائح حول الطاقة والبيئة

التخلص من المخلفات بطريقة لا تضر بالبيئة

تخلص من مواد التغليف بطريقة لا تضر بالبيئة.

هذا الجهاز مميّز طبقاً للمواصفة الأوروبية 2012/19/EU فيما يتعلق بالأجهزة الكهربائية والإلكترونية القديمة (waste electrical and electronic equipment - WEEE). وتحدد هذه المواصفة الإطار العام الساري داخل دول الاتحاد الأوروبي EU لعملية استرداد الأجهزة القديمة وإعادة استغلالها.



تجد هنا نصائح حول كيفية توفير الطاقة أثناء إعداد المخبوزات والشواء وحول كيفية التخلص من جهازك بطريقة سليمة.

توفير الطاقة

- لا تقم بإحماء الفرن إلا إذا كان ذلك مذكوراً في الوصفة.
- استخدم صواني إعداد المخبوزات القاتمة أو المطلية بطبقة سوداء أو بطبقة المينا (الإيناميل). فهي تمتص الحرارة بصورة جيدة للغاية.
- لا تفتح باب الفرن أثناء الطهي أو إعداد المخبوزات أو الشواء إلا في أضيق الحدود.
- من الأفضل خبز العديد من الفطائر الواحدة بعد الأخرى. حيث يظل الفرن محتفظاً بسخونته. وبذلك يقل الوقت اللازم لإعداد المخبوزات بالنسبة للبطيرة الثانية. كما يمكنك أيضاً وضع صينيتين متجاورتين.
- بالنسبة لأوقات الطهي الطويلة نسبياً يمكنك إطفاء الفرن قبل نهاية زمن الطهي بعشر دقائق، واستخدام الحرارة المتبقية لإنهاء الطهي.

الأكريلاميد في المواد الغذائية

ينتج الأكريلاميد بشكل رئيسي في منتجات الحبوب والبطاطس المعدة في درجات حرارة عالية، مثل رقائق البطاطس والبوم فري والخبز المحمص والخبز الملقوف والخبز أو المخبوزات الناعمة (البسكويت، وخبز الزنجبيل، والبسكويت المتبل).

نصائح لتقليل الأكريلاميد إلى الحد الأدنى عند تحضير الطعام

نقاط عامة ■ قلل أوقات الطهي إلى الحد الأدنى.

■ قم بطهي الوجبات حتى يصبح لونها بني ذهبي وليس قاتماً للغاية.

■ القطع الكبيرة من الطعام تحتوي على أكريلاميد أقل.

بالسخن العلوي/السفلي بحد أقصى 200°م.

باستخدام الهواء الساخن ثلاثي الاتجاهات أو الهواء الساخن على درجة حرارة 180°م بحد أقصى.

بالسخن العلوي/السفلي بحد أقصى 190°م.

باستخدام الهواء الساخن ثلاثي الاتجاهات أو الهواء الساخن على درجة حرارة 170°م بحد أقصى.

البيض أو صفار البيض يقلل من إنتاج مادة الأكريلاميد.

بطاطس البوم فري بالفرن ■ قم بتوزيع طبقة واحدة منها بالتساوي على لوح الخبز. قم بإعداد 400 جم على الأقل على كل لوح، وذلك حتى لا تحف بطاطس البوم فري

ما العمل عند حدوث خلل؟

في حالة ظهور خلل، يعود ذلك في أغلب الأحيان إلى مجرد أمور بسيطة. قبل أن تتصل بمركز خدمة العملاء يرجى اتباع الإرشادات التالية.

العلل	السبب المحتمل	إرشادات/حلول
الجهاز لا يعمل.	المصهر تالف.	افحص صندوق المصاهر وتأكد أن مصهر الموقد على ما يرام.
لا يمكن إيقاف الفرن.	عطل بالوحدة الإلكترونية.	قم بإيقاف المصهر. اتصل بخدمة العملاء.
يومض بيان الساعة.	انقطاع التيار الكهربائي.	تأكد من عمل مصباح المطبخ. اضبط الوقت من جديد.
لا يقوم الفرن بالتسخين.	المصهر تالف.	افحص المصهر أو قم بتغييره. لم يتم ضبط مفتاح اختيار الوظيفة.
انكسر زجاج الباب.	أوقف تشغيل الجهاز. اتصل بخدمة العملاء.	أوقف تشغيل الجهاز. اتصل بخدمة العملاء.
وجود عصير فواكه أو بقع زلال البيض على الأسطح المطلية بالمينا (الإيناميل).	كبيك رطب أو صوص لحم.	تغير غير ضار بطلاء المينا (الإيناميل)، لا يمكن التغلب عليه.

⚠ خطر الصعق الكهربائي!

تنطوي أعمال الإصلاح غير السليمة فنياً على أخطار. لا يجوز تنفيذ أعمال الإصلاح إلا من قبل فني خدمة عملاء مدرب من قبلنا. إذا تم إصلاح جهازك بشكل غير سليم، فقد يتسبب ذلك في تعريضك لأخطار جسيمة.

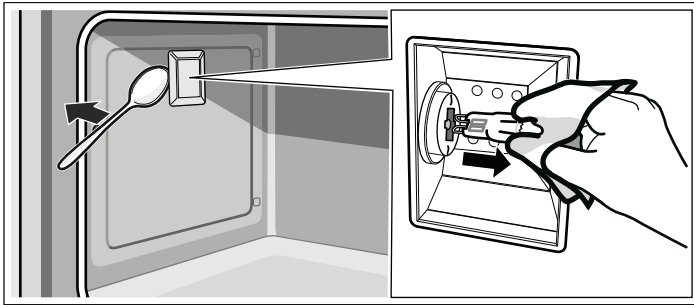
تغيير لمبة الفرن

يجب تغيير لمبة الفرن في حالة تلفها. يمكنك الحصول على اللمبات البديلة التي تتحمل السخونة من مركز خدمة العملاء أو من المتاجر المتخصصة. ويرجى ذكر رقم E ورقم FD لجهازك. لا تستخدم لمبات من أنواع أخرى.

⚠ خطر الصعق الكهربائي!

يراعى عند تغيير لمبة حيز الطهي أن ملامسات دوارة اللمبة يسري فيها تيار كهربائي. قبل تغيير اللمبة، انزع القابس الكهربائي من المقبس أو افصل المصهر الموجود في صندوق المصاهر.

1. اترك حيز الطهي حتى يبرد.
2. افتح باب الجهاز.
3. ضع فوطة أو أواني في حيز الطهي لتجنب حدوث أضرار.
4. اخلع شبكات قضبان التعليق.
5. اخلع الغطاء الزجاجي. للقيام بذلك افتح الغطاء الزجاجي من الأمام بيدك. في حالة تعذر خلع الغطاء الزجاجي استعن بملقعة.
6. اجذب لمبة الفرن للخارج.



7. استبدل لمبة الفرن بأخرى من نفس النوع: الجهد الكهربائي: 230 فولت، القدرة: 40 واط، الدوارة: G9، مقاومة الحرارة: 300°م
8. أعد تركيب الغطاء الزجاجي للفرن.
9. قم بتركيب شبكات قضبان التعليق.
10. أخرج فوطة الأواني مرة أخرى.
11. أعد توصيل المصهر.
12. تأكد أن إضاءة الفرن تعمل من جديد.

خدمة العملاء

إذا احتاج جهازك للإصلاح، فمركزنا لخدمة العملاء هو وجهتك المناسبة. ونحن نتوصل دائماً إلى الحل المناسب للمشكلة، وأيضاً لتجنب أية زيارات غير ضرورية من فني الخدمة.

رقم المنتج E ورقم الصنع FD

عند الاتصال بمركز الخدمة يرجى ذكر رقم المنتج (E-Nr.) ورقم الصنع (FD-Nr.) حتى نستطيع أن نقدم لك المشورة الصحيحة. وتوجد لوحة الصنع المدون بها الأرقام أمام الجزء السفلي لحيز الطهي عندما يكون باب الفرن مفتوحاً. يمكنك هنا تدوين بيانات جهازك ورقم هاتف خدمة العملاء، كي لا تضطر للبحث لوقت طويل عند الاحتياج إلى هذه البيانات.

رقم الصنع FD-Nr.

رقم المنتج E-Nr.

خدمة العملاء ☎

يراعى أن زيارة فني الخدمة ليست بالمجان في حالة الاستعمال الخاطئ حتى أثناء فترة الضمان.

تجد هنا أو في الدليل المرفق لمراكز خدمة العملاء بيانات الاتصال بأقرب مركز لخدمة العملاء في جميع البلدان.

تركيب زجاج الباب

1. قم بتركيب الزجاج الأوسط.

ملاحظات

- يكون الزجاج الأوسط مركبًا بشكل صحيح، إذا كان رمز E السفلي مقروءًا.
 - تأكد من استقرار الزجاج بشكل صحيح. يجب أن تركز جميع المحامل المطاطية على سطح الزجاج بشكل مستو.
2. أعد تركيب الزجاج الداخلي.

ملاحظة: يجب أن تستقر جميع خوابير التثبيت الأربعة في مواضع التثبيت المخصصة لها.

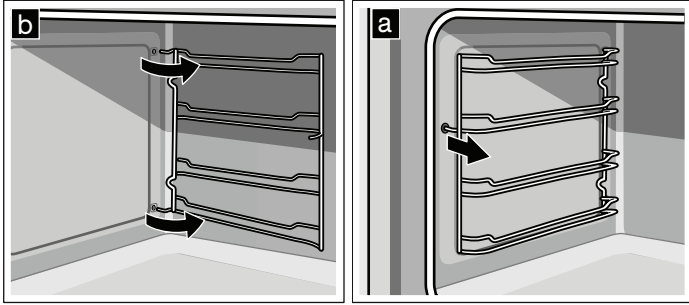
3. قم بإزالة خوابير التأمين وأغلق باب الفرن.

فك وتركيب باب الجهاز

يمكن خلع باب الفرن في حالة الاتساخات العنيدة لضمان مستوى تنظيف أفضل. ولا ننصح بذلك مع الاتساخات العادية.

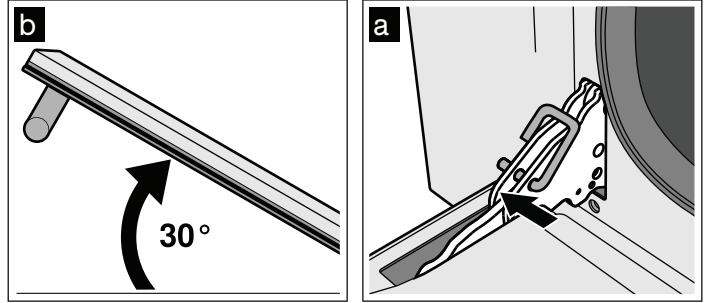
فك باب الجهاز

1. افتح باب الفرن تمامًا.
2. قم بتثبيت المفصلتين اليسرى واليمنى بخابور التأمين (a).
- ملاحظة: يجب إدخال خوابير التأمين في تجاويف المفصلات تمامًا.
3. أمسك باب الفرن من الجانبين بكلتا يديك ثم أغلقه بزاوية حوالي 30° (b).



تركيب شبكات قضبان التعليق

1. أمسك البطانة الحفازة لحيز الطهي.
2. أدخل خطافات شبكة قضبان التعليق في التجاويف الخلفية للجدار الجانبي.
3. اضغط الخطاف الأمامي لشبكة قضبان التعليق في التجويف.

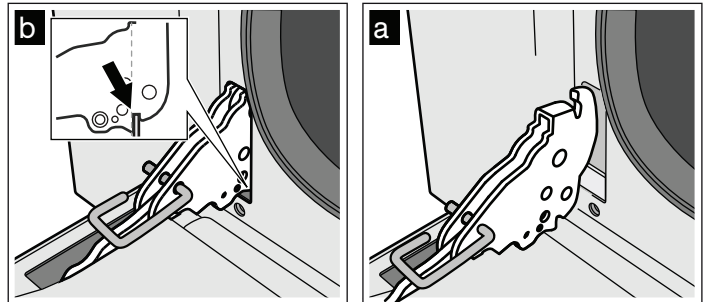


4. ارفع باب الفرن قليلا واسحبه للخارج.

ملاحظة: لا تغلق باب الفرن تمامًا. حيث يمكن أن تنتهي المفصلات وتسبب أضرارًا بطبقة المينا (الإيناميل).

تركيب باب الجهاز

1. أمسك باب الفرن بكلتا يديك من الجانبين.
2. أدخل المفصلات في تجاويف الفرن (a).
- ملاحظة: الحز السفلي بالمفصلات يجب أن يثبت في إطار الفرن (b).



3. أنزل الباب لأسفل.

4. أخرج خوابير التأمين.

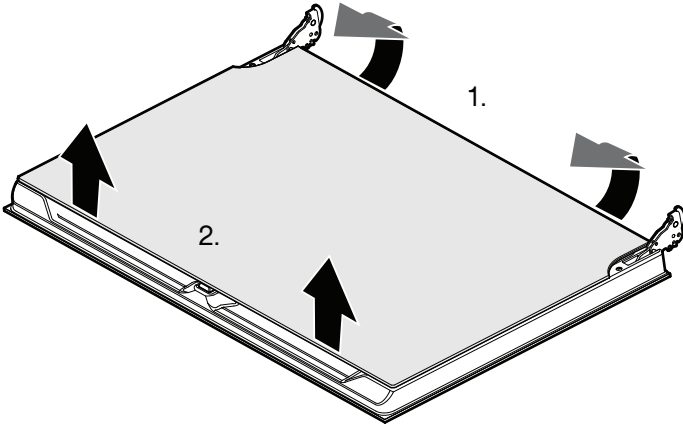
⚠ خطر الإصابة!

في حالة سقوط باب الفرن للخارج دون قصد أو في حالة انغلاق مفصلة بشكل ارتدادي، لا تدخل يدك في المفصلة. اتصل بخدمة العملاء.

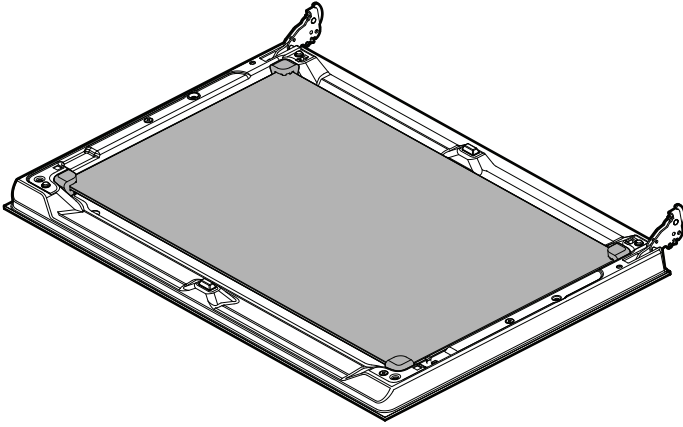
4. ارفع الجزء العلوي للزجاج الداخلي بحرص إلى أن تنفك خوابير التثبيت من موضع التثبيت (2).

تنبيه هام!

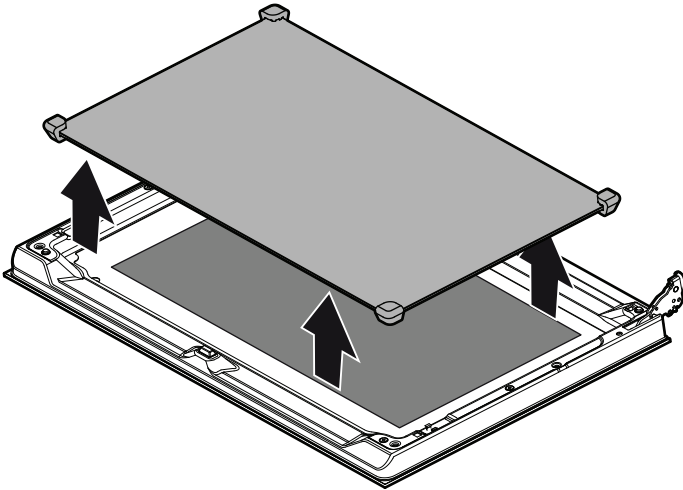
عند رفع الزجاج الداخلي قد يظل الزجاج الأوسط ملتصقا بالزجاج الداخلي. تأكد أن الزجاج الأوسط لن يسقط.



5. اخلع الزجاج الداخلي.
6. اخلع الزجاج الأوسط.



ملاحظة: الزجاج الأوسط غير مثبت بخوابير تثبيت، بل بمحامل مطاطية.



قم بتنظيف الألواح الزجاجية باستخدام منظف زجاج وفوطة ناعمة.

⚠️ خطر الإصابة!

خدوش زجاج باب الجهاز قد تتطور إلى تشققات. لا تستخدم كاشطة زجاج أو مواد تنظيف خشنة أو مسببة للتآكل.

النطاق	المنظفات
الأسطح المطلية بطبقة مينا (إيناميل) (السطح الأملس)	لتسهيل التنظيف، يمكنك تشغيل إضاءة حيز الطهي وفك باب الجهاز عند اللزوم. ضع المنظفات المتداولة في الأسواق أو محلول الماء والخل باستخدام قطعة قماش لينة ورطبة أو قطعة جلد لتنظيف النوافذ، وامسحها بفوطة لينة بعد ذلك. وقم بتطرية بقايا الأطعمة المحترقة باستخدام فوطة رطبة ومنظف. مع الاتساخات الشديدة، ننصح باستخدام منظف أفران بقوام مثل الجل. ويمكن وضعه بشكل مباشر. وبعد التنظيف اترك حيز الطهي مفتوحا ليجف.
الأسطح ذاتية التنظيف (الأسطح الخشنة)	ترعى الإرشادات الواردة في موضوع: الأسطح ذاتية التنظيف
زجاج الباب	منظفات الزجاج: قم بالتنظيف باستخدام منديل ناعم. لا تستخدم كاشطة زجاج.
الغطاء الزجاجي للمبة الفرن	محلول صابوني ساخن: قم بالتنظيف بفوطة تنظيف.
إطار الإحكام لا تقم بفكه!	محلول صابوني ساخن: قم بالتنظيف بفوطة تنظيف. لا تقم بحكه.
القضبان	محلول صابوني ساخن: انقعها ثم قم بتنظيفها بفوطة تنظيف أو فرشاة.
الكماليات	محلول صابوني ساخن: انقعها ثم قم بتنظيفها بفوطة تنظيف أو فرشاة.

البطانة الحفازة لحيز الطهي

البطانان الحفازة لحيز الطهي مغطاة بطبقة ذاتية التنظيف من المينا (الإيناميل). فأتثناء تشغيل الفرن، يتم تنظيف الأسطح تنظيفاً ذاتياً. ويراعى أن قطرات الرذاذ الكبيرة نسبياً لا تختفي إلا بعد تشغيل الفرن عدة مرات.

الأسطح ذاتية التنظيف

الجدران الجانبية مطلية ببطانة حفازة ذاتية التنظيف. لا تنظف هذه الأسطح باستخدام مواد تنظيف الأفران. وللعلم فإن ظهور تغير لوني بسيط على طبقة المينا (الإيناميل) لا يؤثر على خاصية التنظيف الذاتي.

فك وتركيب زجاج الباب

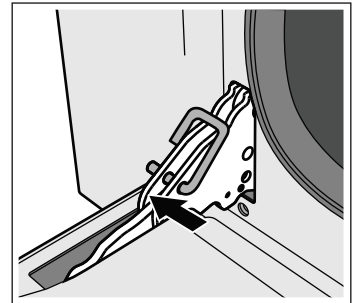
يمكنك فك الألواح الزجاجية من باب الفرن لإجراء عملية التنظيف بشكل أفضل.

فك زجاج الباب

1. افتح باب الفرن تماما.

2. قم بتثبيت المفصلتين اليسرى واليمنى بخابور التأمين.

ملاحظة: يجب إدخال خوابير التأمين في تجاويف المفصلات تماما.



3. ارفع الجزء السفلي للزجاج الداخلي بعض الشيء إلى أن تنفك خوابير التثبيت من موضع التثبيت (1).

التشغيل والإيقاف الأوتوماتيكي

تبدأ عملية الخبز أو التحمير بناء على الفترة الزمنية التي تضبطها في وقت لاحق تختاره بنفسك.

1. اضغط على الزر ⊕ إلى أن يومض في وحدة العرض الرمز وتظهر 3 أصفار.

2. اضغط على الزر الوظيفي ⊕ مرة أخرى إلى أن يومض في شاشة البيان "dur" و"0.00" بالتناوب كما يومض الرمز "A". الوقت الحالي على سبيل المثال 17:30.

3. باستخدام الأزرار "+" و "-" قم بضبط الفترة الزمنية للتشغيل (على سبيل المثال، ساعة واحدة).

يمكن ضبط الفترة الزمنية للتشغيل من دقيقة واحدة حتى 10 ساعات.

4. اضغط على الزر الوظيفي ⊕ مرة أخرى، إلى أن يومض في شاشة البيان "End" ويومض وقت الإيقاف "18:30" (الوقت الحالي بالإضافة إلى الفترة الزمنية المضبوطة للتشغيل) بالتناوب.

5. باستخدام الأزرار + و - قم بضبط وقت الإيقاف (على سبيل المثال الساعة 19:30).

يمكن ضبط وقت الإيقاف حتى 23 ساعة و 59 دقيقة.

6. اضبط نوع التسخين ودرجة الحرارة المرغوبة.

في شاشة البيان يختفي الرمز . يعمل الفرن في هذا المثال الساعة 18:30 ويتوقف الساعة 19:30 مرة أخرى.

انتهاء الفترة الزمنية للتشغيل

تصدر إشارة صوتية، ويختفي الرمز من شاشة البيان ويومض الرمز A.

1. اضبط مفتاح اختيار درجة الحرارة ومفتاح اختيار الوظيفة على وضع الإيقاف.

2. اضغط على الزر ⊕ إلى أن يظهر الرمز . ينتقل الفرن مرة أخرى إلى الطريقة اليدوية.

عرض وتغيير القيم المضبوطة

يمكن عرض وتغيير القيم المضبوطة ووقت التشغيل المتبقي بطرق التشغيل المختلفة للساعة الإلكترونية في شاشة البيان في أي وقت.

عرض وقت التشغيل المتبقي لميقاتي الوقت القصير

اضغط على الزر ⊕ إلى أن يومض الرمز في وحدة العرض.

يظهر في وحدة العرض وقت التشغيل المتبقي ويمكن تغييره باستخدام الأزرار "+" و "-".

عرض وتغيير الفترة الزمنية للتشغيل ووقت الإيقاف.

1. اضغط على الزر ⊕ إلى أن يومض الرمز في شاشة البيان.

2. اضغط على الزر ⊕ مرة أخرى إلى أن يومض في شاشة البيان "dur" والفترة الزمنية المتبقية للتشغيل بالتناوب كما يومض الرمز A.

يمكن تغيير الفترة الزمنية للتشغيل عن طريق الأزرار "+" و "-". يتم إيقاف آلية التشغيل الزمنية من خلال الضغط على الزرين "+" و "-" في نفس الوقت.

3. اضغط على الزر ⊕ مرة أخرى إلى أن يومض في شاشة البيان "End" ووقت الإيقاف المضبوط بالتناوب.

يمكن تغيير وقت الإيقاف باستخدام الأزرار "+" و "-". يتم إيقاف آلية التشغيل الزمنية من خلال الضغط على الزرين "+" و "-" في نفس الوقت.

العناية والتنظيف

العناية الجيدة بالفرن وتنظيفه باهتمام تحافظ على جماله وكفاءته الوظيفية لفترة طويلة. ونوضح لك فيما يلي كيفية العناية بالفرن وتنظيفه بطريقة صحيحة.

ملاحظات

- الفروق الطفيفة في ألوان واجهة الفرن ترجع لاستخدام خامات مختلفة مثل الزجاج والبلاستيك والمعدن.
- الظلال الموجودة على لوح الباب والتي تبدو كالخطوط ترجع إلى انعكاسات ضوئية ناتجة عن لمبة الفرن.
- يتم تجفيف طبقة المينا (الإيناميل) على درجات حرارة عالية للغاية. وقد يتسبب ذلك في اختلافات لونية طفيفة، وهذا أمر طبيعي ولا يؤثر على عملها. حواف الألواح الرفيعة لا يمكن طلاؤها بطبقة المينا (الإيناميل) بشكل كامل. ونتيجة لذلك، فقد تكون هذه الحواف خشنة. ولا يؤثر ذلك على خصائص الحماية من التآكل.

⚠ خطر الصعق الكهربائي!

الرطوبة التي تتوغل في الجهاز قد تتسبب في حدوث صعق كهربائي. لا تستخدم أية أجهزة تنظيف بالضغط العالي أو أجهزة تنظيف بالبخر.

⚠ خطر الإصابة بحروق!

يصبح الجهاز ساخناً للغاية. لا تلمس أبداً الأسطح الداخلية لحيز الطهي أو عناصر التسخين وهي ساخنة. احرص دائماً على ترك الجهاز يبرد. وأبعد الأطفال عن الجهاز.

المنظفات

حتى لا تتضرر الأسطح المختلفة بفعل استخدام منظفات غير مناسبة، تراعى التعليمات التالية.

لا تستخدم

- أية منظفات خشنة أو حادة.
 - أية منظفات تحتوي على نسبة عالية من الكحول
 - أية ليفات أو إسفنجيات تنظيف خشنة
 - أية أجهزة تنظيف بالضغط العالي أو بالبخر.
- اغسل الفوط الإسفنجية الجديدة جيداً قبل استخدامها.

المنظفات	النطاق
محلول صابوني ساخن: قم بالتنظيف بفوطة تنظيف، ثم قم بالتجفيف بعد ذلك باستخدام منديل ناعم. لا تستخدم منظف زجاج أو كاشطة زجاج.	الجهاز من الخارج
محلول صابوني ساخن: قم بالتنظيف بفوطة تنظيف، ثم قم بالتجفيف بعد ذلك باستخدام منديل ناعم. قم بإزالة البقع الجيرية والدهنية وبقع النشا وبيض البيض على الفور. فقد يتكوّن الصدأ تحت هذه البقع.	الاستانلس ستيل
تتوافر لدى خدمة العملاء أو المتاجر المتخصصة منظفات خاصة للاستانلس ستيل تناسب الأسطح الساخنة. ضع طبقة رقيقة من مادة العناية بواسطة فوطة ناعمة.	
منظفات الزجاج: قم بالتنظيف باستخدام منديل ناعم.	الألومنيوم والبلاستيك

للتخلص من الروائح غير المستحبة للأشياء الجديدة، قم بتسخين الفرن وهو مغلق وفارغ.

1. أدر مفتاح اختيار الوظيفة على طريقة تشغيل التسخين العلوي/السفلي.

2. أدر مفتاح اختيار درجة الحرارة على درجة الحرارة القصوى.

3. قم بإيقاف الفرن بعد 40 دقيقة.

ملاحظة: أثناء عملية التسخين الأولى يمكن أن تصدر من الفرن أصوات طقطقة.

1. قم بتنظيف حيز الطهي بمحلول صابوني ساخن.

2. قم بتركيب شبكات التعليق.

تنظيف الكماليات

قبل استخدام الكماليات قم بتنظيفها جيداً بمحلول صابوني دافئ وفوطة تنظيف.

طريقة استعمال الفرن

عناصر الاستعمال القابلة للحريك للداخل

مفتاح اختيار الوظيفة ومفتاح اختيار درجة الحرارة قابلان للحريك للداخل. للتثبيت على الوضع الداخلي أو الخارجي اضغط على عنصر الاستعمال المعني.

تشغيل فرن الطهي

1. اضبط نوع التسخين باستخدام مفتاح اختيار الوظيفة.

2. اضبط درجة الحرارة باستخدام مفتاح اختيار درجة الحرارة.

فيبدأ الفرن بالتسخين.

إيقاف الفرن

أدر مفتاح اختيار الوظيفة ومفتاح اختيار درجة الحرارة على وضع الصفر.

تغيير أوضاع الضبط

يمكنك تغيير نوع التسخين ودرجة الحرارة أو درجة الشواية في أي وقت عن طريق مفتاح الاختيار المعني.

التسخين

لتسخين حيز الطهي بأسرع ما يمكن، استخدم نوع التسخين «تدوير الهواء». في حالة الوصول إلى درجة الحرارة المضبوطة (انطفاء لمبة البيان)، قم بضبط نوع التسخين المرغوب.

استخدام الساعة الإلكترونية

علاوة على بيان الساعة والوقت المتبقي قد تظهر في وحدة العرض الرموز التالية:

الرمز	المعنى
•	نقطة بين بيان الساعات والدقائق.
	تومض عندما يكون من الممكن ضبط الوقت.
⏸	ميقاتي الوقت القصير
A	يعرض حالات تشغيل ميقاتي الوقت القصير.
	الطريقة الأوتوماتيكية
	يعرض حالات تشغيل الطريقة الأوتوماتيكية.
⏸	جاهزية التشغيل
	في حالة ظهور هذه العلامة يكون الفرن جاهزاً للتشغيل.

ضبط الوقت

بعد توصيل الجهاز بالكهرباء أو انقطاع التيار الكهربائي يومض في وحدة العرض ثلاثة أصفار والرمز "A".

1. اضغط على الزر ⊕ إلى أن تومض النقطة في وحدة العرض.

2. باستخدام الأزرار "+" و "-" اضبط الوقت الحالي.

وبعد 7 ثوان يتم اعتماد الوقت المضبوط.

ملاحظة: لتغيير الوقت المضبوط اضغط على الأزرار "+" و "-" إلى أن تومض النقطة في وحدة العرض. عندئذ قم بضبط الوقت الحالي باستخدام الأزرار "+" و "-".

ضبط ميقاتي الوقت القصير

لا يكون لميقاتي الوقت القصير أي تأثير على عمل وظائف الفرن. يمكن ضبط مدة ميقاتي الوقت القصير من دقيقة واحدة إلى 23 ساعة و 59 دقيقة.

1. اضغط على الزر ⊕ إلى أن يومض في وحدة العرض الرمز ⏸ وتظهر 3 أصفار.

2. باستخدام الأزرار "+" و "-" اضبط المدة المرغوبة.

بعد انقضاء الوقت تصدر إشارة صوتية.

ملاحظات

■ لتغيير وقت التشغيل المتبقي اضغط على الزر ⊕ إلى أن يومض في وحدة العرض الرمز ⏸. ثم قم بتغيير وقت التشغيل المتبقي باستخدام الأزرار "+" و "-".

■ لمحو وضع الضبط اضغط على الزر ⊕ إلى أن يومض الرمز في وحدة العرض. ثم اضغط على الأزرار "+" و "-" في نفس الوقت.

إيقاف الإشارة الصوتية

اضغط على الزر ⊕ إلى أن يختفي الرمز ⏸.

بعد سبع دقائق تتوقف الإشارة أوتوماتيكياً.

تغيير الإشارة الصوتية

تتوافر 3 إشارات صوتية مختلفة.

1. اضغط على الأزرار "+" و "-" في نفس الوقت.

2. اضغط على الزر ⊕.

تظهر في شاشة البيان الإشارة الصوتية الحالية، على سبيل المثال "1 ton".

3. اضغط على الزر "-" لاختيار إشارة صوتية أخرى.

ضبط آلية التشغيل الزمنية

يمكنك عن طريق الساعة الإلكترونية تشغيل وإيقاف الفرن أوتوماتيكياً.

الإيقاف الأوتوماتيكي

1. اضغط على الزر ⊕ إلى أن يومض في وحدة العرض الرمز ⏸ وتظهر 3 أصفار.

2. اضغط على الزر الوظيفي ⊕ مرة أخرى إلى أن تومض في شاشة البيان "dur" و "0.00" بالتناوب كما يومض الرمز "A".

3. باستخدام الأزرار + و - قم بضبط الفترة الزمنية للتشغيل. يمكن ضبط الفترة الزمنية للتشغيل من دقيقة واحدة حتى 10 ساعات.

4. اضبط نوع التسخين ودرجة الحرارة المرغوبة.

يبدأ تشغيل الفرن ويظهر في شاشة البيان الرمز A والوقت الحالي.

انتهاء الفترة الزمنية للتشغيل

تصدر إشارة صوتية، ويختفي الرمز ⏸ من شاشة البيان ويومض الرمز A.

1. اضبط مفتاح اختيار درجة الحرارة ومفتاح اختيار الوظيفة على وضع الإيقاف.

2. اضغط على الزر ⊕ إلى أن يظهر الرمز ⏸.

ينتقل الفرن مرة أخرى إلى الطريقة اليدوية.

الساعة الإلكترونية

يمكنك التحكم في الفرن عن طريق الساعة الإلكترونية. يمكنك مثلاً بشكل مسبق اختيار الوقت الذي يتم فيه تشغيل الفرن أو الذي تقوم فيه آلية التشغيل الزمنية بإنهاء عملية الخبز أو الطهي. يمكن أيضاً استخدام الساعة الإلكترونية كميقاتي وقت قصير.

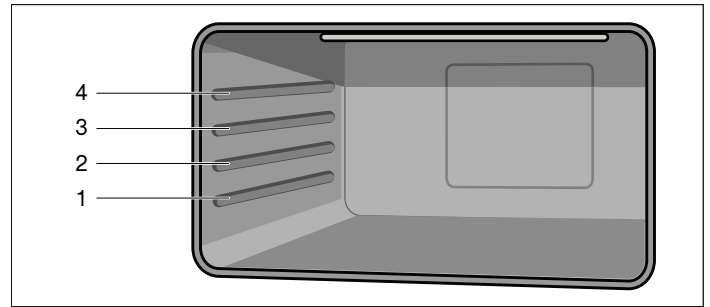


الأزرار الوظيفية للساعة الإلكترونية

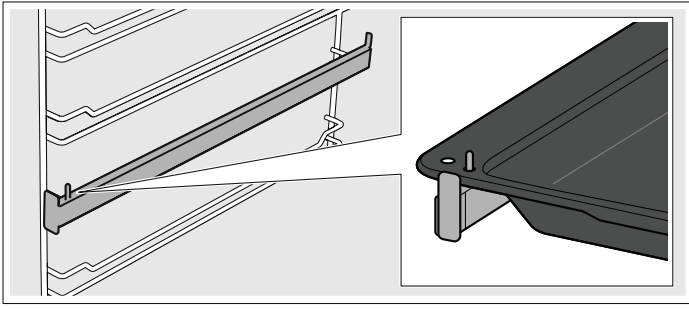
الرمز	المعنى	الاستخدام
⊕	الساعة الإلكترونية	ضبط المدة أو الوقت
-	ناقص	تقليل المدة أو الوقت
+	زائد	زيادة المدة أو الوقت

الكماليات

يمكن إدخال الكماليات في حيز الطهي على 4 مستويات ارتفاع مختلفة. احرص دائماً على إدخال الكماليات حتى النهاية حتى لا تلامس زجاج الباب. يراعى دائماً إدخال الكماليات في حيز الطهي بشكل صحيح.



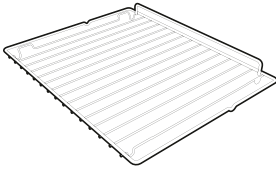
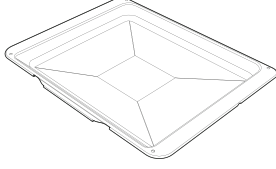
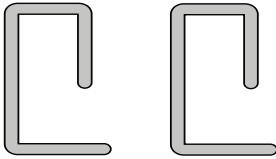
باستخدام القضبان القابلة للإخراج يمكن إخراج الكماليات تماماً.



يمكنك سحب الكماليات للخارج بمقدار الثلثين دون أن تنقلب. وبذلك يتاح لك إخراج الأطعمة بسهولة.

قد يحدث تشوه للكماليات عندما تسخن. وبمجرد أن تبرد مرة أخرى، يختفي هذا التشوه بدون ترك أي تأثير على وظيفتها.

يمكنك لاحقاً شراء الكماليات من خدمة العملاء أو من المتاجر المتخصصة أو عبر الإنترنت.

الكماليات	الشرح
	شبكة الخبز والشواء للأواني وصواني الكيك وقطع اللحم والأطعمة المشوية والوجبات المجمدة.
	لوح الخبز المطلي بطبقة المينا (الإيناميل) للكيك الرطب والمخبوزات والوجبات المجمدة وقطع اللحم الكبيرة. يمكن استخدامه أيضاً كوعاء لتجميع الدهون المتساقطة.
	خوابير التأمين لتثبيت المفصلات.

قبل الاستخدام لأول مرة

ستتعرف من خلال هذا الجزء علي ما يجب القيام به قبل استخدام جهازك في إعداد الطعام للمرة الأولى. اقرأ أولاً فصل إرشادات الأمان. قم بإزالة مواد التغليف عن الجهاز وتخلص منها بطريقة سليمة.

ضبط الوقت

بعد توصيل الجهاز بالكهرباء أو انقطاع التيار الكهربائي يومض في وحدة العرض ثلاثة أصفار والرمز "A".

1. اضغط على الزر ⊕ إلى أن تومض النقطة في وحدة العرض.

2. باستخدام الأزرار "+" و "-" اضبط الوقت الحالي.

وبعد 7 ثوان يتم اعتماد الوقت المضبوط.

ملاحظة: لتغيير الوقت المضبوط اضغط على الأزرار "+" و "-" إلى أن تومض النقطة في وحدة العرض. عندئذ قم بضبط الوقت الحالي باستخدام الأزرار "+" و "-".

تسخين الفرن

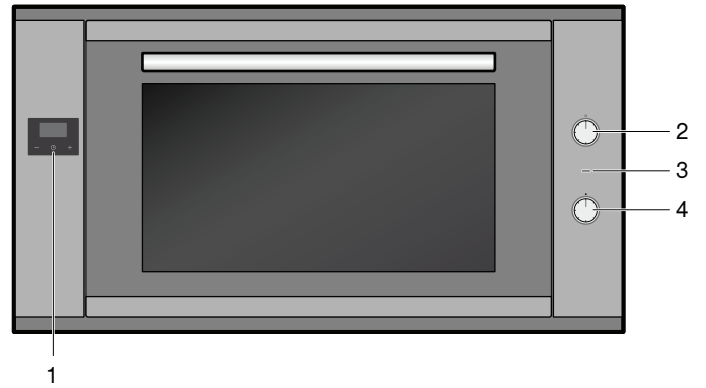
التنظيف المسبق للفرن

1. أخرج الكماليات وشبكات التعليق من حيز الطهي.
2. قم بإزالة بقايا مواد التغليف، مثل جزيئات البوليستيرين، من حيز الطهي تماماً.
3. بعض الأجزاء مغطاة برقاقة واقية من الخدش. قم بإزالة هذه الرقاقة الواقية من الخدوش.
4. قم بتنظيف الجهاز من الخارج بمسحوق صابوني رطب.
5. قم بتنظيف حيز الطهي بمحلول صابوني ساخن.

- الاتساح الشديد لإطار إحكام الباب: في حالة الاتساح الشديد لإطار إحكام الباب يصبح إغلاق باب الجهاز بشكل صحيح غير ممكن أثناء التشغيل. وقد تلحق أضرار بواجهات وحدات المطبخ المجاورة. لذلك يجب المحافظة دائماً على نظافة إطار إحكام الباب.
- باب الجهاز كسطح للجلوس أو لوضع الأشياء: لا تستند على باب الجهاز أو تجلس عليه أو تعلق الأشياء عليه. ولا تضع أية أواني أو كماليات على باب الجهاز.
- إدخال الكماليات: حسب طراز الجهاز قد تتسبب الكماليات في خدش زجاج الباب عند غلق باب الجهاز. فاحرص دائماً على إدخال الكماليات في حيز الطهي حتى النهاية.
- نقل الجهاز: لا تحمل الجهاز أو تمسكه من مقبض الباب. فمقبض الباب لا يستطيع أن يتحمل وزن الجهاز، وقد ينكسر نتيجة لذلك.

جهازك الجديد

تتعرف هنا على جهازك الجديد. كما تجد هنا المزيد من المعلومات حول لوحة الاستعمال والفرن وأنواع التسخين والكماليات.



الشرح

1	الساعة الإلكترونية
2	مفتاح اختيار الوظيفة
3	لمبة البيان
4	مفتاح اختيار درجة الحرارة

مفتاح اختيار الوظيفة

يمكنك ضبط نوع التسخين باستخدام مفتاح اختيار الوظيفة.

الوضع	الاستخدام
○ وضع الصفر	الفرن متوقف.
□ التسخين العلوي/السفلي	للكيك السادة والمحشو وقطع اللحم الخالية من الدهون. وتنبعث سخونة من أعلى ومن أسفل بالتساوي.
⊗ الهواء الساخن	للكيك والمخبوزات على مستوى أو مستويين. وتقوم المروحة بتوزيع سخونة جسم التسخين الحلقي بالجدار الخلفي في حيز الطهي بالتساوي.
⊗ الهواء الساخن الاقتصادي*	للكيك والمخبوزات على مستوى أو مستويين. وتقوم المروحة بتوزيع سخونة جسم التسخين الحلقي بالجدار الخلفي في حيز الطهي بالتساوي.

مع نوع التسخين هذا تظل إضاءة الفرن مطفأة.

* نوع تسخين تم من خلاله تحديد فئة كفاءة استغلال الطاقة حسب المواصفة EN50304.

الوضع	الاستخدام
⊗ تدوير الهواء	للكيك والمخبوزات والبيتزا الطازجة على مستوى أو مستويين. وتقوم المروحة بتوزيع سخونة عناصر التسخين في حيز الطهي بالتساوي.
⊗ مستوى البيتزا	التحضير السريع للأطعمة المجمدة دون تسخين مسبق، مثل البيتزا أو البوم فري أو الشطائر. ويتم التسخين من خلال جسم التسخين السفلي وجسم التسخين الحلقي بالجدار الخلفي.
⊗ شواية بتدوير الهواء	شواء اللحوم والطيور والأسماك الكاملة. وتقوم المروحة بتوزيع الهواء الساخن حول الطعام.
□ الشواية الكبيرة	شواء قطع الاستيك والسجق (النقانق) والتوست وقطع السمك الصغيرة. ويسخن السطح بالكامل أسفل جسم تسخين الشواية.
□ الشواية الصغيرة	شواء كميات الاستيك الصغيرة والسجق (النقانق) وخبز التوست وقطع السمك الصغيرة. ويصبح الجزء الأوسط من جسم تسخين الشواية ساخناً.
□ التسخين السفلي	التسخين اللاحق للطعام. تنبعت السخونة من أسفل فقط.
⊗ الإضاءة	إضاءة الفرن مشغلة.

* نوع تسخين تم من خلاله تحديد فئة كفاءة استغلال الطاقة حسب المواصفة EN50304.

ملاحظة: عندما تقوم بضبط نوع التسخين يتم تشغيل لمبة الفرن في حيز الطهي.

ملاحظة: مع نوع التسخين «هواء ساخن-اقتصادي» هذا تظل إضاءة الفرن مطفأة.

مفتاح اختيار درجة الحرارة

يمكن عن طريق مفتاح اختيار درجة الحرارة ضبط درجة الحرارة أو درجة الشواية.

الوضع	المعنى
● وضع الصفر	لا يقوم الفرن بالتسخين.
250-50	نطاق درجة الحرارة
	درجة الحرارة في حيز الطهي بالدرجة المثوية °م.

عندما يقوم الفرن بالتسخين تضيء لمبة البيان. وتنطفئ خلال فترات التوقف عن التسخين.

خطر نشوب حريق!

- تنطوي أعمال الإصلاح غير السليمة فنياً على أخطار. لا يجوز تنفيذ أعمال الإصلاح إلا من قبل فني خدمة عملاء مدرب من قبلنا. إذا كان هناك عطل بالجهاز، فانزع القابس الكهربائي من المقبس أو افصل المصهر الموجود في صندوق المصاهر. اتصل بخدمة العملاء.

- قد تنصهر المادة العازلة لكابلات الأجهزة الكهربائية في حالة ملامسة الأجزاء الساخنة للجهاز. لا تجعل كابلات توصيل الأجهزة الكهربائية تلامس الأجزاء الساخنة للجهاز أبداً.

- الرطوبة التي تتوغل في الجهاز قد تتسبب في حدوث صعق كهربائي. لا تستخدم أية أجهزة تنظيف بالضغط العالي أو أجهزة تنظيف البخار.

- يراعى عند تغيير لمبة حيز الطهي أن ملامسات دوارة اللمبة يسري فيها تيار كهربائي. قبل تغيير اللمبة، انزع القابس الكهربائي من المقبس أو افصل المصهر الموجود في صندوق المصاهر.

- الجهاز المعطل قد يتسبب في حدوث صعق كهربائي. لا تقم أبداً بتشغيل جهاز معطل. وانزع القابس الكهربائي من المقبس أو افصل المصهر الموجود في صندوق المصاهر. اتصل بخدمة العملاء.

أسباب الأضرار

تنبيه هام!

- الكماليات أو الرقائق أو ورق إعداد المخبوزات أو الأواني على أرضية حيز الطهي: لا تضع أية كماليات على أرضية حيز الطهي. لا تقم بتغطية أرضية حيز الطهي بأي نوع من رقائق الألومنيوم أو ورق المخبوزات. لا تضع أية أواني على أرضية حيز الطهي في حالة ضبط درجة حرارة أعلى من 50°م. حيث إن ذلك يؤدي إلى تراكم السخونة. كما أن أزمناً إعداد المخبوزات والتحمير لن تكون صحيحة، وسوف يتسبب ذلك في إلحاق الضرر بطبقة المينا (الإيناميل).

- الماء في حيز الطهي الساخن: لا تقم أبداً بصب الماء في حيز الطهي الساخن. حيث إن ذلك يؤدي إلى توليد بخار ماء. كما أن تغير درجة الحرارة قد يلحق أضراراً بطبقة المينا (الإيناميل).

- الأطعمة الرطبة: لا تحتفظ بأطعمة رطبة في حيز الطهي وهو مغلق لفترات طويلة. فسوف يتسبب ذلك في إلحاق الضرر بطبقة المينا (الإيناميل).

- عصارة الفاكهة: عند إعداد الفطائر التي تحتوي على عصارة فاكهة بكمية كبيرة، لا تقم بملء لوح الخبز بشكل زائد عن الحد. فعصارة الفاكهة التي تتقاطر من لوح الخبز تترك بقعاً يتعذر إزالتها. استخدم اللوح متعدد الاستخدامات قدر المستطاع، فهو أكثر عمقاً.

- التبريد بينما باب الجهاز مفتوح: لا تقم بتبريد حيز الطهي إلا وهو مغلق. ويراعى أن باب الجهاز إذا كان مفتوحاً ولو بمقدار بسيط فقط، فإن واجهات الوحدات المجاورة يمكن أن تتضرر بمرور الوقت.

- المواد القابلة للاشتعال التي يتم تخزينها في حيز الطهي يمكن أن تشتعل. لا تحتفظ أبداً بأشياء قابلة للاشتعال في حيز الطهي. لا تفتح باب الجهاز أبداً في حالة وجود أدخنة بداخله. أوقف الجهاز وانزع القابس الكهربائي من المقبس أو افصل المصهر الموجود في صندوق المصاهر.

- ينشأ تيار هوائي عند فتح باب الجهاز. وقد يحدث تلامس بين ورق إعداد المخبوزات وعناصر التسخين، مما يؤدي إلى اشتعاله. ولا تضع أبداً ورق إعداد المخبوزات دون تثبيته على الكماليات أثناء الإحماء. احرص دائماً على تثبيت ورق إعداد المخبوزات في مكانه بوضع طبق أو صينية خبيز عليه. وقم بتغطية السطح المطلوب فقط بورق إعداد المخبوزات. ولا يجوز أن يبرز ورق إعداد المخبوزات فوق الكماليات.

خطر الإصابة بحروق!

- يصبح الجهاز ساخناً للغاية. لا تلمس أبداً الأسطح الداخلية لحيز الطهي أو عناصر التسخين وهي ساخنة. احرص دائماً على ترك الجهاز يبرد. وأبعد الأطفال عن الجهاز.

- الكماليات والأواني تصبح ساخنة للغاية. استخدم دائماً فوطة أواني عند إخراج الكماليات أو الأواني الساخنة من حيز الطهي.

- أبخرة الكحول يمكن أن تشتعل في حيز الطهي وهو ساخن. لا تقم أبداً بتحضير أطعمة تحتوي على كميات كبيرة من السوائل المشتملة على نسبة عالية من الكحول. اقتصر على استخدام كميات قليلة من المشروبات المركزة. افتح باب الجهاز بحرص.

خطر الإصابة باكتوءات!

- الأجزاء التي يمكن الوصول إليها تسخن أثناء التشغيل. لا تلمس أبداً الأجزاء الساخنة. وأبعد الأطفال عن الجهاز.

- قد يتسرب البخار الساخن عند فتح باب الجهاز. افتح باب الجهاز بحرص. وأبعد الأطفال عن الجهاز.

- وجود بعض الماء في حيز الطهي وهو ساخن يمكن أن يولد بخار ماء ساخن. لا تقم أبداً بصب الماء في حيز الطهي الساخن.

خطر الإصابة!

- خدوش زجاج باب الجهاز قد تتطور إلى تشققات. لا تستخدم كاشطة زجاج أو مواد تنظيف خشنة أو مسببة للتآكل.

11	ما العمل عند حدوث خلل؟	3	إرشادات الأمان المهمة
11	تغيير لمبة الفرن	4	أسباب الأضرار
11	خدمة العملاء	5	جهازك الجديد
11	رقم المنتج E ورقم الصنع FD	5	مفتاح اختيار الوظيفة
12	نصائح حول الطاقة والبيئة	5	مفتاح اختيار درجة الحرارة
12	توفير الطاقة	6	الساعة الإلكترونية
12	التخلص من المخلفات بطريقة لا تضر بالبيئة	6	الكماليات
12	الأكريلاميد في المواد الغذائية	6	قبل الاستخدام لأول مرة
13	نصائح الاستخدام	6	ضبط الوقت
13	إعداد المخبوزات	6	تسخين الفرن
13	التحمير والشواء	7	تنظيف الكماليات
14	الأطباق التي تم اختبارها في ستوديو الطهي الخاص بنا	7	طريقة استعمال الفرن
		7	تشغيل فرن الطهي
		7	استخدام الساعة الإلكترونية
		7	ضبط آلية التشغيل الزمنية
		8	عرض وتغيير القيم المضبوطة
		8	العناية والتنظيف
		8	المنظفات
		9	البطانة الحفازة لحيز الطهي
		9	فك وتركيب زجاج الباب
		10	فك وتركيب باب الجهاز
		10	فك وتركيب شبكات قضبان التعليق

تجد المزيد من المعلومات حول المنتجات والكماليات وقطع الغيار والخدمات على موقع الإنترنت: www.bosch-home.com وفي المتجر الإلكتروني على موقع الإنترنت: www.bosch-eshop.com

يسر فريق استعلامات Bosch أن يقدم لك المشورة ومعلومات المنتجات اللازمة والرد على استفساراتكم فيما يتعلق بتطبيقات واستخدامات الأجهزة على رقم هاتف: 089 69 339 339 (وذلك من الاثنين إلى الجمعة: من الساعة 8.00 إلى الساعة 18.00) يسري فقط على ألمانيا.

⚠️ إرشادات الأمان المهمة

اقرأ هذا الدليل بعناية. عندئذ فقط سيمكنك استخدام الجهاز بشكل صحيح وآمن. احتفظ بدليل الاستعمال والتركيب لاستخدامه لاحقاً أو لتسليمه للمالك الجديد. هذا الجهاز مخصص فقط للتركيب بشكل مدمج داخل وحدات المطبخ. تراعى التعليمات الخاصة بالتركيب. افحص الجهاز بعد إخراجه من مواد التغليف. ولا تقم بتوصيل الجهاز في حالة وجود أضرار ناتجة عن عملية النقل.

يتعين أن يقوم فني معتمد بتوصيل الأجهزة بدون قوالب. حيث لا يحق المطالبة بحقوق الضمان في حالة الأضرار الناتجة عن توصيل الجهاز بشكل غير صحيح.

هذا الجهاز مخصص للاستخدام المنزلي فقط. اقتصر على استخدام الجهاز في إعداد الأطعمة والمشروبات. ويتعين مراقبة الجهاز أثناء التشغيل. استخدم هذا الجهاز في الأماكن المغلقة فقط.

هذا الجهاز مناسب للاستخدام على ارتفاع حتى 2000 متر فوق سطح البحر بحد أقصى.

يمكن استخدام هذا الجهاز من قبل الأطفال من عمر 8 سنوات والأشخاص الذين يعانون من نقص في القدرات الجسدية أو الحسية أو العقلية أو الأشخاص الذين لديهم قصور في الخبرة أو المعرفة شريطة أن يقوم شخص مسؤول عن سلامتهم بالإشراف عليهم أو إذا قام بتوجيههم إلى كيفية الاستخدام الآمن للجهاز مع التأكد من إدراكهم للأخطار المرتبطة بذلك.

لا يجوز للأطفال العبث بالجهاز. أعمال التنظيف وأعمال الصيانة المنوطة بالمستخدم لا يُسمح بإجرائها من قبل الأطفال إلا إذا كانوا يبلغون من العمر 8 سنوات أو أكثر مع الإشراف عليهم أثناء ذلك.

الأطفال دون سن 8 سنوات يجب إبعادهم عن الجهاز ووصلة الكهرباء.

احرص دائماً على إدخال الكماليات في حيز الطهي بشكل صحيح. انظر شرح الكماليات في دليل الاستعمال.



Robert Bosch Hausgeräte GmbH

Carl-Wery-Straße 34

81739 München

Germany

www.bosch-home.com



9000971541