



Register your new Bosch now:  
[www.bosch-home.com/welcome](http://www.bosch-home.com/welcome)



**Fridge-freezer**  
**Réfrigérateur / Congélateur combiné**  
ثلاجة تبريد وتجميد



**BOSCH**

**KUL..**

- en** User manual
- fr** Notice d'utilisation
- ar** دليل الاستخدام

---

## en Table of Contents

Safety and warning information .....	3	Freezing and storing food .....	9
Information concerning disposal .....	5	Freezing fresh food .....	10
Scope of delivery .....	5	Thawing frozen food .....	11
Ambient temperature and ventilation ..	6	Interior fittings .....	11
Installation location .....	6	Sticker "OK" .....	11
Connecting the appliance .....	7	Switching off and disconnecting the appliance .....	12
Getting to know your appliance .....	7	Defrosting .....	12
Switching the appliance on .....	8	Cleaning the appliance .....	13
Setting the temperature .....	8	Tips for saving energy .....	14
Usable capacity .....	8	Operating noises .....	14
Refrigerator compartment .....	9	Eliminating minor faults yourself .....	15
The freezer compartment .....	9	Customer service .....	17
Max. freezing capacity .....	9		

---

## fr Table des matières

Prescriptions-d'hygiène-alimentaire ..	18	Capacité de congélation maximale ..	25
Consignes de sécurité et avertissements .....	18	Congélation et rangement .....	26
Conseil pour la mise au rebut .....	20	Congélation de produits frais .....	26
Étendue des fournitures .....	21	Décongélation des produits .....	27
Contrôler la température ambiante et l'aération .....	22	Équipement .....	27
Lieu d'install .....	22	Autocollant « OK » .....	28
Branchement de l'appareil .....	23	Arrêt et remisage de l'appareil .....	28
Présentation de l'appareil .....	23	Si vous dégivrez l'appareil .....	29
Enclenchement de l'appareil .....	24	Nettoyage de l'appareil .....	30
Réglage de la température .....	24	Economies d'énergie .....	31
Contenance utile .....	24	Bruits de fonctionnement .....	31
Le compartiment réfrigérateur .....	24	Remédier soi même aux petites pannes .....	32
Le compartiment congélateur .....	25	Service après-vente .....	34

# Safety and warning information

## Before you switch ON the appliance

Please read the operating and installation instructions carefully! They contain important information on how to install, use and maintain the appliance.

The manufacturer is not liable if you fail to comply with the instructions and warnings. Retain all documents for subsequent use or for the next owner.

## Technical safety

This appliance contains a small quantity of environmentally-friendly but flammable R600a refrigerant. Ensure that the tubing of the refrigerant circuit is not damaged during transportation and installation. Leaking refrigerant may cause eye injuries or ignite.

If damage has occurred

- Keep naked flames and/or ignition sources away from the appliance,
- thoroughly ventilate the room for several minutes,
- switch off the appliance and pull out the mains plug,
- inform customer service.

The more refrigerant an appliance contains, the larger the room must be in which the appliance is situated. Leaking refrigerant can form a flammable gas-air mixture in rooms which are too small. The room must be at least 1 m<sup>3</sup> per 8 g of refrigerant. The amount of refrigerant in your appliance is indicated on the rating plate inside the appliance.

If the power cord of this appliance is damaged, it must be replaced by the manufacturer, customer service or a similarly qualified person. Improper installations and repairs may put the user at considerable risk.

Repairs may be performed by the manufacturer, customer service or a similarly qualified person only.

Only original parts supplied by the manufacturer may be used. The manufacturer guarantees that only these parts satisfy the safety requirements.

A extension cable may be purchased from customer service only.

## Important information when using the appliance

- Never use electrical appliances inside the appliance (e.g. heater, electric ice maker, etc.). Risk of explosion!
- Never use a steam cleaner to defrost or clean the appliance! The steam may penetrate electrical parts and cause a short-circuit. Risk of electric shock!
- Do not use pointed or sharp-edged implements to remove frost or layers of ice. You could damage the refrigerant tubing. Leaking refrigerant may ignite or cause eye injuries.
- Do not store products which contain flammable propellants (e.g. spray cans) or explosive substances in the appliance. Risk of explosion!
- Do not stand on or lean heavily against base of appliance, drawers or doors, etc
- Before defrosting and cleaning the appliance, pull out the mains plug or switch off the fuse. Do not pull out the mains plug by tugging the cable.

- Bottles which contain a high percentage of alcohol must be sealed and stored in an upright position.
- Keep plastic parts and the door seal free of oil and grease. Otherwise, parts and door seal will become porous.
- Never cover or block the ventilation openings for the appliance.
- Avoiding placing children and vulnerable people at risk

At risk are children, people who have limited physical, mental or sensory abilities or people who have inadequate knowledge concerning safe operation of the appliance.

Ensure that children and vulnerable people have understood the hazards. Children or vulnerable people must be supervised by a responsible person when using the appliance.

Only children from 8 years and above may use the appliance.

Supervise children while the appliance is being cleaned or maintained.

Never allow children to play

- Do not store bottled or canned drinks (especially carbonated drinks) in the freezer compartment. Bottles and cans may explode!
- Never put frozen food straight from the freezer compartment into your mouth.  
Risk of low-temperature burns!
- Avoid prolonged touching of frozen food, ice or the evaporator pipes, etc.  
Risk of low-temperature burns!

## Children in the household

- Keep children away from packaging and its parts.  
Danger of suffocation from folding cartons and plastic film!
- Do not allow children to play with the appliance!
- If the appliance features a lock: keep the key out of the reach of children!

## General regulations

The appliance is suitable

- for refrigerating and freezing food,
- for making ice.

This appliance is intended for use in the home and the home environment.

The appliance is suppressed according to EU Directive 2004/108/EC.

The refrigeration circuit has been checked for leaks.

This product complies with the relevant safety regulations for electrical appliances (EN 60335-2-24).

This appliance is intended for use up to a maximum height of 2000 metres above sea level.

---

## Information concerning disposal

### Disposal of packaging

The packaging protects your appliance from damage during transit. All utilised materials are environmentally safe and recyclable. Please help us by disposing of the packaging in an environmentally friendly manner.

Please ask your dealer or inquire at your local authority about current means of disposal.

### Disposal of your old appliance

Old appliances are not worthless rubbish! Valuable raw materials can be reclaimed by recycling old appliances.



This appliance is identified according to the European guideline 2012/19/EC on waste electrical and electronic equipment – WEEE. The directive specifies the framework for an EU-wide valid return and re-use of old appliances.

### Warning

Redundant appliances

1. Pull out the mains plug.
2. Cut off the power cord and discard with the mains plug.
3. Do not take out the trays and receptacles: children are therefore prevented from climbing in!
4. Do not allow children to play with the appliance once it has spent its useful life. Danger of suffocation!

Refrigerators contain refrigerant and gases in the insulation. Refrigerant and gases must be disposed of professionally. Ensure that tubing of the refrigerant circuit is not damaged prior to proper disposal.

---

## Scope of delivery

After unpacking all parts, check for any damage in transit.

If you have any complaints, please contact the dealer from whom you purchased the appliance or our customer service.

The delivery consists of the following parts:

- Built-under appliance
- Interior fittings (depending on model)
- Bag containing installation materials
- Operating instructions
- Installation manual
- Customer service booklet
- Warranty enclosure
- Information on the energy consumption and noises

# Ambient temperature and ventilation

## Ambient temperature

The appliance is designed for a specific climate class. Depending on the climate class, the appliance can be operated at the following temperatures.

The climate class can be found on the rating plate. Fig. 14

Climate class	Permitted ambient temperature
SN	+10 °C to 32 °C
N	+16 °C to 32 °C
ST	+16 °C to 38 °C
T	+16 °C to 43 °C

### Note

The appliance is fully functional within the room temperature limits of the indicated climatic class. If an appliance of climatic class SN is operated at colder room temperatures, the appliance will not be damaged up to a temperature of +5 °C.

### Room temperature switch

If the room temperature drops below +16 °C, the freezer compartment of appliances belonging to climate class SN may become too warm. In an extreme case the frozen food may thaw. To prevent this from happening, switch on the room temperature switch. As a result, the refrigeration unit operates more frequently. The appliance can now be operated at a room temperature of +10 °C to +16 °C.

To switch on, press the room

temperature switch, Fig. 2/B. Red mark becomes visible.

To save energy, switch off the room temperature switch as soon as the room temperature exceeds +16 °C.

## Ventilation

Fig. 1/6

The refrigeration unit is ventilated only via the ventilation grille in the base. Never cover the ventilation grille or place anything in front of it. Otherwise the refrigeration unit must work harder, increasing the power consumption.

## Installation location

Install the appliance in a dry, well ventilated room. The installation location should neither be exposed to direct sunlight nor near a heat source, e.g. a cooker, radiator, etc. If installation next to a heat source is unavoidable, use a suitable insulating plate or observe the following minimum distances to a heat source:

- 3 cm to electric or gas cookers.
- 30 cm to an oil or coal-fired cooker.

## Undercounter

An attachment under certain worktops, e.g. stone, glass or stainless steel, is frequently not possible. You can order accessories from customer service for installation on the side walls.

## Connecting the appliance

After installing the appliance, wait at least 1 hour until the appliance is switched on. During transportation the oil in the compressor may have flowed into the refrigeration system.

Before switching on the appliance for the first time, clean the interior of the appliance (see chapter "Cleaning the appliance").

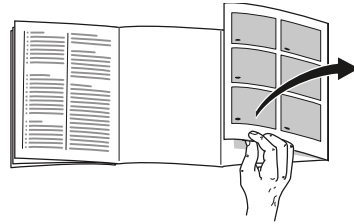
## Electrical connection

The socket must be near the appliance and also freely accessible following installation of the appliance.

The appliance complies with the protection class I. Connect the appliance to 220–240 V/50 Hz alternating current via a correctly installed socket with protective conductor. The socket must be fused with a 10 to 16 A fuse.

For appliances operated in non-European countries, check whether the stated voltage and current type match the values of your mains supply match the values of the mains supply. This information can be found on the rating plate. Fig. 14

## Getting to know your appliance



Please fold out the illustrated last page. These operating instructions refer to several models.

The features of the models may vary. The diagrams may differ.

Fig. 1

- |   |   |
|---|---|
| 1 | Light switch                                |
| 2 | Temperature controller/light                |
| 3 | Glass shelf in the refrigerator compartment |
| 4 | Pull-out container                          |
| 5 | Vegetable container                         |
| 6 | Ventilation opening                         |
| 7 | Shelf for butter and cheese                 |
| 8 | Egg rack                                    |
| 9 | Shelf for large bottles                     |
| A | Freezer section                             |
| B | Refrigerator compartment                    |

---

## Switching the appliance on

Turn temperature controller, Fig. 2/A, from position “0”. The appliance begins to cool. Light is switched on when the door is open.

### Operating tips

The refrigerator compartment temperature rises:

- if the appliance door is opened frequently,
- if large quantities of food are placed in the refrigerator compartment,
- if the ambient temperature is high.

---

## Setting the temperature

Turn temperature controller, Fig. 2/A, to the required setting.

When the controller is at a medium setting, the temperature drops to approx. +4 °C in the coldest zone. Fig. 3.

Higher settings lower the temperature in the refrigerator and freezer compartments.

### We recommend:

- Perishable food should not be stored above +4 °C.
- Low setting for short-term storage of food (energy-saving mode).
- Medium setting for long-term storage of food.
- Select a higher setting only temporarily, when the door is frequently opened or large quantities are placed in the refrigerator compartment.

### Refrigeration capacity

The temperature in the refrigerator compartment may rise temporarily if large amounts of food or a lot of drinks are placed inside.

Therefore the temperature controller should be set to a higher setting for approx. 7 hours.

### Freezer compartment

The temperature in the freezer compartment depends on the temperature in the refrigerator compartment.

---

## Usable capacity

Information on the usable capacity can be found inside your appliance on the rating plate. Fig. 14



---

## Refrigerator compartment

The refrigerator compartment is the ideal storage location for ready meals, cakes and pastries, preserved food, condensed milk, hard cheese, fruit and vegetables sensitive to cold as well as tropical fruit.

### Note when loading products

Wrap or cover food before placing in the appliance. This will retain the aroma, colour and freshness of the food. In addition, flavours will not be transferred between foods and the plastic parts will not become discoloured.

#### Note

Avoid contact between food and rear panel. Otherwise the air circulation will be impaired.

Food or packaging could freeze to the rear panel.

### Note the chill zones in the refrigerator compartment!

The air circulation in the refrigerator compartment creates different chill zones:

- Coldest zone is in the pull-out container. Fig. **3**

#### Note

Store perishable food (e.g. fish, sausage, meat) in the coldest zones.

- Warmest zone is at the very top of the door.

#### Note

Store e.g. cheese and butter in the warmest zone. When served, the cheese will not have lost its flavour and the butter will be easy to spread.

---

## The freezer compartment

### Using the freezer compartment

- To store deep-frozen food.
- To make ice cubes.
- To freeze small quantities of food.

#### Note

Ensure that the freezer compartment door has been closed properly. If the door is open, the frozen food will thaw. The freezer compartment will become covered in thick ice. Also: waste of energy due to high power consumption!

---

## Max. freezing capacity

Information about the max. freezing capacity within 24 hours can be found on the rating plate. Fig. **14**

---

## Freezing and storing food

### Purchasing frozen food

- Packaging must not be damaged.
- Use by the “use by” date.
- Temperature in the supermarket freezer must be  $-18\text{ }^{\circ}\text{C}$  or lower.
- If possible, transport deep-frozen food in a cool bag and place quickly in the freezer compartment.

## Freezing fresh food

Freeze fresh and undamaged food only.

To retain the best possible nutritional value, flavour and colour, vegetables should be blanched before freezing. Aubergines, peppers, zucchini and asparagus do not require blanching.

Literature on freezing and blanching can be found in bookshops.

### Note

Keep food which is to be frozen away from food which is already frozen.

- The following foods are suitable for freezing:  
Cakes and pastries, fish and seafood, meat, game, poultry, vegetables, fruit, herbs, eggs without shells, dairy products such as cheese, butter and quark, ready meals and leftovers such as soups, stews, cooked meat and fish, potato dishes, soufflés and desserts.
- The following foods are not suitable for freezing:  
Types of vegetables, which are usually consumed raw, such as lettuce or radishes, eggs in shells, grapes, whole apples, pears and peaches, hard-boiled eggs, yoghurt, soured milk, sour cream, crème fraîche and mayonnaise.

### Note

When freezing fresh food, the refrigeration unit runs for longer. As a result, the refrigerator compartment temperature may drop too low. Increase the temperature in the refrigerator compartment.

## Packing frozen food

To prevent food from losing its flavour or drying out, place in airtight containers.

1. Place food in packaging.
2. Remove air.
3. Seal the wrapping.
4. Label packaging with contents and date of freezing.

### Suitable packaging:

Plastic film, tubular film made of polyethylene, aluminium foil, freezer containers.

These products are available from specialist outlets.

### Unsuitable packaging:

Wrapping paper, greaseproof paper, cellophane, bin liners and used shopping bags.

### Items suitable for sealing packaged food:

Rubber bands, plastic clips, string, cold-resistant adhesive tape, etc.

Bags and tubular film made of polyethylene can be sealed with a film heat sealer.

## Shelf life of frozen food

Storage duration depends on the type of food.

At a temperature of -18 °C:

- Fish, sausage, ready meals and cakes and pastries:  
up to 6 months
- Cheese, poultry and meat:  
up to 8 months
- Vegetables and fruit:  
up to 12 months

---

## Thawing frozen food

Depending on the type and application, select one of the following options:

- at room temperature
- in the refrigerator
- in an electric oven, with/without fan assisted hot-air
- in the microwave

### Caution

Do not refreeze thawing or thawed food. Only ready meals (boiled or fried) may be refrozen.

No longer store the frozen produce for the max. storage period.

---

## Interior fittings

You can reposition the shelves inside the appliance and the door shelves as required:

- Lift the glass shelves, pull forwards, lower and swivel out to the side. Fig. **4**
- Reposition stoppers and re-insert shelf. Fig. **5**
- Lift the door shelf and remove. Fig. **6**

## Special features

(not all models)

### Pull-out container

Fig. **7**

The pull-out container is especially suitable for the storage of foods which contain meat. It can be taken out for loading, unloading and cleaning.

### Vegetable container with cover

Fig. **8**

The vegetable container can be taken out for loading, unloading and cleaning.

### Bottle holder

Fig. **9**

The bottle holder prevents bottles from falling over when the door is opened and closed.

### Ice cube tray

Fig. **10**

1. Fill the ice cube tray  $\frac{3}{4}$  full of water and place in the freezer compartment.
2. If the ice tray is stuck to the freezer compartment, loosen with a blunt implement only (spoon-handle).
3. To loosen the ice cubes, twist the ice tray slightly or hold briefly under flowing water.

---

## Sticker “OK”

(not all models)

The “OK” temperature monitor can be used to determine temperatures below +4 °C. Gradually reduce the temperature if the sticker does not indicate “OK”.

### Note

When the appliance is switched on, it may take 12 hours until the temperature is reached.



### Correct setting

---

## Switching off and disconnecting the appliance

### Switching the appliance off

Turn temperature controller, Fig. 2/A, to position "0". Refrigeration unit and light switch off.

### Disconnecting the appliance

If you do not use the appliance for a prolonged period:

1. Switch off the appliance.
2. Pull out mains plug or switch off fuse.
3. Clean the appliance.
4. Leave the appliance door open.

---

## Defrosting

### Refrigerator compartment defrosts fully automatically

While the refrigerating unit is running, beads of condensation or hoarfrost form at the back of the refrigerator compartment. This is quite normal. It is not necessary to wipe off the condensation or frost. The rear panel defrosts automatically. The condensation runs into the condensation channel, Fig. III, and is conveyed to the refrigerating unit where it evaporates.

#### Note

Keep the condensation channel and drainage hole clean, so that the condensation can run out.

### Freezer compartment

The freezer compartment does not defrost automatically. A layer of hoarfrost in the freezer compartment will impair refrigeration of the frozen food and increase power consumption. Regularly defrost the freezer compartment.



#### Caution

Do not scrape off hoarfrost or ice with a knife or pointed object. You could damage the refrigerant tubes. Leaking refrigerant may ignite or cause eye injuries.

#### Proceed as follows:

#### Note

Approx. 4 hours before defrosting the appliance, turn the temperature controller to the highest setting so that the food drops to a very low temperature and can therefore be stored at room temperature for a longer period.

1. Remove the frozen food and place temporarily in a cool location.
2. Switch the appliance off.
3. Pull out the mains plug or remove the fuse.
4. To accelerate the defrosting process, place a pan of hot water on a trivet in the freezer compartment.
5. Wipe up condensation with a cloth or sponge.
6. Wipe dry the freezer compartment.
7. Switch the appliance on again.
8. Put the frozen food back in the freezer compartment.

## Cleaning the appliance

### Caution

- Do not use abrasive, chloride or acidic cleaning agents or solvents.
- Do not use scouring or abrasive sponges. The metallic surfaces could corrode.
- Never clean shelves and containers in the dishwasher. The parts may become deformed!

Proceed as follows:

1. Before cleaning: Switch the appliance off.
2. Pull out the mains plug or switch off the fuse.
3. Take out the frozen food and store in a cool location.
4. Clean the appliance with a soft cloth, lukewarm water and a little pH neutral washing-up liquid. The rinsing water must not run into the light.
5. Wipe the door seal with clear water only and then wipe dry thoroughly.
6. Rinsing water must not run through the drainage hole into the evaporation area.
7. After cleaning reconnect and switch the appliance back on.
8. Put the frozen food back in the freezer compartment.

## Interior fittings

All variable parts of the appliance can be taken out for cleaning.

### Take out glass shelves

Fig. **4**

Lift the glass shelves, pull forwards, lower and swivel out to the side.

### Taking out pull-out container

Fig. **7**

Lift the container and pull out.

### Condensation channel

Fig. **11**

To clean the condensation channel, take out the pull-out container. Fig. **11/4**

Regularly clean the condensation channel and drainage hole with a cotton bud or similar implement to ensure that the condensation can drain.

### Taking out vegetable container with cover

Fig. **8**

Lift vegetable container and take out forwards.

### Take out shelves in the door

Fig. **6**

Lift shelves upwards and take out.

### Taking out the bottle holder

Fig. **9**

Lift bottle holder at the rear and remove from the door shelf.

### Ventilation opening

Fig. **12**

The ventilation grille in the base can be removed for cleaning. To do this, depress the clips in the ventilation openings and simultaneously remove the ventilation grille forwards.

---

## Tips for saving energy

- Install the appliance in a dry, well ventilated room! The appliance should not be installed in direct sunlight or near a heat source (e.g. radiator, cooker).  
If required, use an insulating plate.
- Allow warm food and drinks to cool down before placing in the appliance.
- Thaw frozen food in the refrigerator compartment and use the low temperature of the frozen food to cool refrigerated food.
- Open the appliance as briefly as possible.
- Regularly defrost the freezer compartment to remove the layer of frost!  
A layer of hoarfrost will impair refrigeration of the frozen food and increase power consumption.
- Ensure that the freezer compartment door has been closed properly.

---

## Operating noises

### Quite normal noises

#### Droning

Motors are running (e.g. refrigerating units, fan).

#### Bubbling, humming or gurgling noises

Refrigerant is flowing through the tubing.

#### Clicking

Motor, switches or solenoid valves are switching on/off.

### Preventing noises

#### The appliance is not level

Please align the appliance with a spirit level. Use the height-adjustable feet or place packing underneath them.

#### The appliance is not free-standing

Please move the appliance away from adjacent units or appliances.

#### Containers or storage areas wobble or stick

Please check the removable parts and re-insert them correctly if required.

#### Bottles or receptacles are touching each other

Move the bottles or receptacles slightly away from each other.

## Eliminating minor faults yourself

Before you call customer service:

Please check whether you can eliminate the fault yourself based on the following information.

Customer service will charge you for advice – even if the appliance is still under guarantee!

Fault	Possible cause	Remedial action
The light does not work.	The bulb is defective.	Replace bulb. Fig. <b>13/B</b> 1. Switch the appliance off. 2. Pull out mains plug or switch off fuse. 3. Slide cover forwards and remove. 4. Change the bulb. (Replacement bulb: 220-240 V a.c., E14 bulb holder, see defective bulb for wattage.)
	Light switch is jammed.	Check whether the light switch can move. Fig. <b>13/A</b>
The frozen food is frozen solid.		Loosen frozen food with a blunt object. Do not use a knife or pointed object.
There is a thick layer of frost in the freezer compartment.		Defrosting the freezer compartment (see chapter Defrosting). Always ensure that the freezer compartment door is closed properly.
Floor of the refrigerator compartment is wet.	The condensation channels or drainage hole are blocked.	Clean the condensation channels and the drainage hole. See chapter Cleaning the appliance. Fig. <b>11</b>
The temperature in the refrigerator compartment is too cold.	Freezer compartment door is open.	Close the freezer compartment door. The freezer compartment door engages audibly.
	Too much food was placed in the freezer compartment at once.	Do not exceed max. freezing capacity.
	Temperature controller has been set too high.	Set temperature controller lower.

Fault	Possible cause	Remedial action
The refrigerating unit is switching on more frequently and for longer.	Appliance opened frequently.	Do not open the appliance unnecessarily.
	The ventilation openings have been covered.	Remove obstacles.
	Large quantities of fresh food are being frozen.	Do not exceed max. freezing capacity.
The frozen food is thawing.	The ambient temperature is below +16° C. The refrigeration unit is starting less frequently.	<p>Increase the ambient temperature (above +16° C).</p> <p>Appliances with room temperature switch Fig. 2/B: To switch on, press the room temperature switch. Red mark becomes visible. The light inside the appliance is lit at a reduced luminosity.</p>
Appliance has no refrigeration capacity.	The temperature controller is in position "0".	Turn the temperature controller from position "0". Fig. 2/A
	<ul style="list-style-type: none"> <li>■ Power failure.</li> <li>■ The fuse has been switched off.</li> <li>■ The mains plug has not been inserted properly.</li> </ul>	Check whether the power is on, check the fuses.



---

## Customer service

Your local customer service can be found in the telephone directory or in the customer-service index. Please provide customer service with the appliance product number (E-Nr.) and production number (FD).

These specifications can be found on the rating plate. Fig. **14**

To prevent unnecessary call-outs, please assist customer service by quoting the product and production numbers. This will save you additional costs.

## Repair order and advice on faults

Contact information for all countries can be found on the enclosed customer service list.

GB	0844 8928979	Calls from a BT landline will be charged at up to 3 pence per minute. A call set-up fee of up to 6 pence may apply.
IE	01450 2655	
US	800 944 2904	toll-free

---

## Prescriptions- d'hygiène-alimentaire

**Chère cliente, cher client,**  
conformément à la réglementation française visant à empêcher la présence de listéries dans le compartiment réfrigérateur, nous vous remercions de respecter les consignes suivantes :

- Nettoyez fréquemment le compartiment intérieur du réfrigérateur à l'aide d'un détergent non agressif, ne provoquant pas d'oxydation des pièces métalliques (utilisez par ex. de l'eau tiède additionnée d'un peu de produit à vaisselle).

Ensuite, désinfectez avec de l'eau additionnée de vinaigre ou de jus de citron les surfaces que vous avez préalablement nettoyées, ou utilisez un produit germicide en vente dans le commerce et adapté aux réfrigérateurs (avant d'utiliser ce produit sur les pièces métalliques, faites un test de compatibilité à un endroit peu visible).

- Enlevez les emballages commerciaux avant de mettre les produits alimentaires dans le compartiment réfrigérateur (par ex. le carton qui réunit les pots de yaourt).
- Pour éviter toute contamination entre des produits alimentaires de nature différente, rangez-les bien séparés les uns des autres, bien emballés ou rangés dans des récipients à couvercle.

- Avant de préparer des plats et de saisir des produits alimentaires, lavez-vous les mains. Avant de préparer d'autres plats, lavez-vous à nouveau les mains. Lavez-les encore une fois avant de prendre un repas.
- Lavez les ustensiles de cuisine dont vous venez de vous servir avant de les réutiliser (cuillère en bois, planche de découpe, couteau de cuisine, etc.).

---

## Consignes de sécurité et avertissements

### Avant de mettre l'appareil en service

Veillez lire attentivement et entièrement les informations figurant dans les notices d'utilisation et de montage. Elle contiennent des remarques importantes concernant l'installation, l'utilisation et l'entretien de l'appareil.

Le fabricant décline toute responsabilité si les consignes et mises en garde contenues dans la notice d'utilisation ne sont pas respectées. Veillez conserver ces documents en vue d'une réutilisation ultérieure ou pour le cas où l'appareil changerait de propriétaire.

### Sécurité technique

Cet appareil contient une petite quantité d'un fluide réfrigérant écologique mais inflammable, le R 600a. Pendant le transport et la mise en place de l'appareil, veillez à ne pas endommager les tuyauteries du circuit frigorifique. Si le fluide réfrigérant jaillit, il peut provoquer des lésions oculaires ou s'enflammer.

Si l'appareil est endommagé

- éloignez de l'appareil toute flamme nue ou source d'inflammation,
- aérez bien la pièce pendant quelques minutes,
- éteignez l'appareil puis débranchez la fiche mâle de la prise de courant,
- prévenez le service après-vente.

Plus l'appareil contient du fluide réfrigérant et plus grande doit être la pièce dans laquelle il se trouve. Dans les pièces trop petites, un mélange gaz-air inflammable peut se former en cas de fuite.

Comptez 1 m<sup>3</sup> de volume minimum de la pièce pour 8 g de fluide réfrigérant. La quantité de fluide présente dans l'appareil est indiquée sur la plaque signalétique située à l'intérieur de ce dernier.

Si le cordon d'alimentation électrique de cet appareil a été endommagé, il faut confier son remplacement au fabricant, au service après-vente ou à une personne détenant des qualifications similaires. Les installations et réparations inexpertes peuvent engendrer des risques considérables pour l'utilisateur.

Les réparations ne pourront être réalisées que par le fabricant, le service après-vente ou une personne détenant des qualifications similaires.

Il ne faut utiliser que les pièces d'origine du fabricant. Le fabricant ne garantit que les pièces d'origine car elles seules remplissent les exigences de sécurité.

S'il faut allonger le cordon de raccordement au secteur avec un prolongateur, procurez-vous-le exclusivement auprès du service après-vente.

## Pendant l'utilisation

- N'utilisez pas d'appareils électriques à l'intérieur de l'appareil (par ex. appareils de chauffage, machine à glaçons, etc.). Risque d'explosion !
- Ne dégivrez ni et ne nettoyez jamais l'appareil avec un nettoyeur à vapeur ! La vapeur risque d'atteindre des pièces électriques et de provoquer un court-circuit. Risque d'électrocution !
- Pour détacher le givre ou les couches de glace, n'utilisez jamais d'objets pointus ou présentant des arêtes vives. Vous risqueriez d'endommager les tuyaux de fluide réfrigérant. Le fluide réfrigérant en train de jaillir risque de s'enflammer ou de provoquer des lésions oculaires.
- Ne stockez dans l'appareil ni produits contenant des gaz propulseurs inflammables (par ex. bombes aérosols) ni produits explosifs. Risque d'explosion !
- Ne vous servez pas des socles, clayettes et portes comme marchepieds ou pour vous appuyer.
- Pour dégivrer et nettoyer l'appareil, débranchez la fiche mâle de la prise de courant ou retirez le fusible / désarmez le disjoncteur. Pour débrancher l'appareil, tirez sur la fiche mâle et non pas sur son cordon.
- Stockez les boissons fortement alcoolisées en position verticale dans des récipients bien fermés.
- L'huile et la graisse ne doivent pas entrer en contact avec les parties en matières plastiques et le joint de porte. Ces derniers pourraient sinon devenir poreux.
- Ne recouvrez et n'obstruez jamais les orifices de ventilation de l'appareil.

- Évitez les risques pour les enfants et les personnes vulnérables

Les personnes à risques sont les enfants, les personnes présentant un handicap physique, psychique ou sensoriel et les personnes qui ne savent pas suffisamment comment utiliser l'appareil de manière sûre.

Assurez-vous que les enfants et les personnes à risques ont bien compris la nature des dangers.

Une personne responsable de la sécurité doit surveiller ou guider les enfants et les personnes vulnérables lorsqu'elles se trouvent près de l'appareil. Ne permettez l'utilisation de l'appareil qu'aux enfants de plus de 8 ans. Surveillez les enfants pendant le nettoyage et la maintenance. Ne laissez jamais les enfants jouer avec l'appareil.

- Dans compartiment congélateur, ne stockez pas de liquides en bouteilles ou en boîtes (en particulier les boissons gazeuses). Les bouteilles et les canettes risqueraient d'éclater !
- Ne portez jamais des produits surgelés à la bouche immédiatement après les avoir sortis du compartiment congélateur. Risque d'engelures !
- Évitez tout contact prolongé des mains avec les produits congelés, la glace ou les tubes de l'évaporateur, etc. Risque d'engelures !

## Les enfants et l'appareil

- Ne confiez jamais l'emballage et ses pièces constitutives aux enfants. Ils risquent de s'étouffer avec les cartons pliants et les feuilles de plastique !

- L'appareil n'est pas un jouet pour enfants !
- Appareils équipés d'une serrure : rangez la clé hors de portée des enfants !

## Dispositions générales

L'appareil convient pour

- réfrigérer et congeler des aliments,
- préparer des glaçons.

Cet appareil est destiné à un usage domestique dans un foyer privé, et à l'environnement domestique.

L'appareil a été antiparasité conformément à la directive UE 2004 / 108 / EC.

Le circuit frigorifique a subi un contrôle d'étanchéité.

Ce produit est conforme aux dispositions de sécurité applicables visant les appareils électriques (EN 60335-2-24).

Cet appareil est conçu pour une utilisation jusqu'à une altitude maximale de 2000 m.

---

## Conseil pour la mise au rebut

### Mise au rebut de l'emballage

L'emballage protège votre appareil contre les dommages susceptibles de survenir en cours de transport. Tous les matériaux qui le composent sont compatibles avec l'environnement et recyclables. Aidez-nous : à éliminer l'emballage dans le respect de l'environnement.

Pour connaître les circuits actuels de mise au rebut, adressez-vous s.v.p. à votre revendeur ou à l'administration de votre commune.

## Mise au rebut de l'ancien appareil

Les appareils usagés ne sont pas des déchets dénués de valeur ! Leur élimination dans le respect de l'environnement permet d'en récupérer de précieuses matières premières.



Cet appareil est marqué selon la directive européenne 2012 / 19 / CE relative aux appareils électriques et électroniques usagés (waste electrical and electronic equipment – WEEE). La directive définit le cadre pour une reprise et une récupération des appareils usagés applicables dans les pays de la CE.

## Mise en garde

Avant de mettre au rebut l'appareil qui ne sert plus :

1. Débranchez sa fiche mâle.
2. Sectionnez son câble d'alimentation et retirez-le avec la fiche mâle.
3. Pour dissuader les enfants de grimper dans l'appareil, ne retirez pas les clayettes et les bacs !
4. Ne permettez pas aux enfants de jouer avec l'appareil lorsqu'il ne sert plus. Risque d'étouffement !

Les appareils réfrigérants contiennent du fluide réfrigérant. L'isolant contient des gaz. Il faut que le fluide réfrigérant et les gaz soient éliminés dans les règles de l'art. Jusqu'à l'enlèvement de l'appareil, veillez bien à ce que son circuit frigorifique ne soit pas endommagé.

## Étendue des fournitures

Après avoir déballé, vérifiez toutes les pièces pour détecter d'éventuels dégâts dus au transport.

En cas de réclamation, veuillez vous adresser au revendeur auprès duquel vous avez acquis l'appareil ou auprès de notre service après-vente.

La livraison comprend les pièces suivantes :

- Appareil en soubassement
- Équipement (selon le modèle)
- Sachet avec visserie de montage
- Notice d'utilisation
- Notice de montage
- Carnet de service après-vente
- Pièce annexe de la garantie
- Informations relatives à la consommation d'énergie et aux bruits

# Contrôler la température ambiante et l'aération

## Température ambiante

L'appareil a été conçu pour une catégorie climatique précise. Suivant la catégorie climatique, l'appareil est utilisable dans les températures ambiantes suivantes.

La catégorie climatique de l'appareil figure sur sa plaque signalétique, Fig. 14.

Catégorie climatique	Température ambiante admissible
SN	+10 °C à 32 °C
N	+16 °C à 32 °C
ST	+16 °C à 38 °C
T	+16 °C à 43 °C

### Remarque

L'appareil est entièrement fonctionnel à l'intérieur des limites de température ambiante prévues dans la catégorie climatique indiquée. Si un appareil de la catégorie climatique SN est utilisé à des températures ambiantes plus basses, il est possible d'exclure que l'appareil s'endommage jusqu'à une température de +5 °C.

### Thermostat de température ambiante

Si en présence d'appareils de la catégorie climatique SN la température ambiante descend en dessous de 16 °C, la température risque de trop remonter dans le compartiment congélateur. Dans un cas extrême, les produits congelés risquent de dégeler. Pour empêcher cela, enclenchez le thermostat de température ambiante. Dans ce cas, le groupe frigorifique fonctionne plus souvent. Maintenant, l'appareil peut fonctionner à une température ambiante comprise entre +10 °C et +16 °C.

Pour enclencher le thermostat de température ambiante, appuyez dessus,

Fig. 2/B. Le repère rouge devient visible. Pour économiser de l'énergie, ramenez le thermostat de température ambiante en position éteinte dès que la température ambiante remonte au dessus de +16 °C.

## Aération

Fig. 1 / 6

L'air destiné au groupe frigorifique rentre et sort par la grille d'aération située dans le socle. Ne recouvrez en aucun cas la grille d'aération et ne placez rien devant. Sinon le groupe frigorifique se trouverait sollicité plus fortement, ce qui augmenterait la consommation de courant.

## Lieu d'install

Un local sec et aérable convient pour installer l'appareil. Evitez de placer l'appareil à un endroit directement exposé aux rayons solaires ou à proximité d'une source de chaleur telle une cuisinière, un radiateur, etc. Si l'installation près d'une source de chaleur est inévitable, utilisez une plaque isolante appropriée ou respectez les distances minimales suivantes :

- 3 cm par rapport aux cuisinières électriques ou à gaz.
- 30 cm par rapport à un appareil de chauffage au fuel ou au charbon.

## Montage sous un plan de travail

Il est souvent impossible de fixer quoi que ce soit sous certains plans de travail, ceux par exemple en pierre, en verre ou en acier inoxydable. Après du service après-vente, vous pouvez vous procurer des accessoires de montage contre les parois latérales.

## Branchement de l'appareil

Après l'installation de l'appareil en position verticale, attendez au moins une heure avant de le mettre en service. Il peut en effet arriver, pendant le transport, que l'huile présente dans le compresseur se déplace vers le circuit frigorifique.

Avant la première mise en service, nettoyez le compartiment intérieur de l'appareil. (Voir le chapitre « Nettoyage de l'appareil ».)

## Branchement électrique

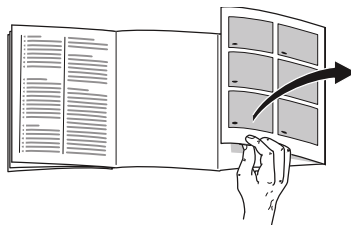
La prise doit être proche de l'appareil et demeurer librement accessibles même après avoir installé ce dernier.

L'appareil est conforme à la classe de protection I. Raccordez l'appareil au courant alternatif 220–240 V / 50 Hz, via une prise femelle installée réglementairement et comportant un fil de terre.

La prise doit être protégée par un fusible supportant un ampérage de 10 A à 16 A.

Sur les appareils qui fonctionneront dans des pays non européens, il faut vérifier que la tension et le type de courant mentionnés sur la plaque signalétique correspondent bien avec celle et celui offert par votre secteur. Vous trouverez ces indications sur la plaque signalétique. Fig. 14

## Présentation de l'appareil



Veuillez déplier la dernière page, illustrée, de la notice. La présente notice d'utilisation vaut pour plusieurs modèles.

L'équipement des modèles peut varier.

Selon le modèle, l'appareil peut différer du contenu des illustrations.

Fig. 1

- |   |  |
|---|--|
| 1 | Interrupteur d'éclairage                             |
| 2 | Thermostat/Éclairage                                 |
| 3 | Clayette en verre dans le compartiment réfrigérateur |
| 4 | Bac tiroir   |
| 5 | Bac à légumes  |
| 6 | Orifice d'apport et d'évacuation d'air               |
| 7 | Rangement pour le beurre et le fromage               |
| 8 | Balconnet à œufs                                     |
| 9 | Clayette à grandes bouteilles                        |
| A | Compartiment congélateur                             |
| B | Compartiment réfrigérateur                           |

---

## Enclenchement de l'appareil

Tournez le thermostat, Fig. 2/A, pour lui faire quitter la position « 0 ». L'appareil commence à réfrigérer. Porte en position ouverte, l'éclairage est allumé.

### Remarques concernant le fonctionnement de l'appareil

La température du compartiment réfrigérateur augmente temporairement :

- Si vous ouvrez fréquemment la porte de l'appareil.
- Si vous rangez de grandes quantités d'aliments.
- En présence d'une température ambiante élevée.

---

## Réglage de la température

Tournez le thermostat, Fig. 2/A, jusque sur le réglage souhaité.

Sur un réglage médian, la zone la plus froide atteint env. +4 °C. Fig. 3

Des réglages plus élevés abaissent les températures dans le compartiment réfrigérateur et le compartiment congélateur.

### Recommandations :

- Nous conseillons de stocker les produits alimentaires délicats à une température non supérieure à +4 °C.
- Réglage peu élevé pour stocker peu de temps des produits alimentaires (mode économe en énergie).

- Réglage moyen pour stocker longtemps des produits alimentaires.
- Réglage élevé uniquement de façon temporaire, s'il faut ouvrir fréquemment la porte ou si vous venez de ranger de grandes quantités de produits alimentaires dans le compartiment réfrigérateur.

### Capacité de réfrigération

La température peut monter dans le compartiment réfrigérateur si vous rangez des quantités importantes de produits alimentaires ou de boissons.

Pour cette raison, il faudrait régler le thermostat sur un chiffre plus élevé pendant environ 7 heures.

### Compartiment congélateur

La température dans le compartiment congélateur dépend de celle régnant dans le compartiment cellier.

---

## Contenance utile

Vous trouverez les indications relatives à la contenance utile sur la plaque signalétique de votre appareil. Fig. 14

---

## Le compartiment réfrigérateur

Le compartiment réfrigérateur est l'endroit idéal où ranger les plats finis de préparer, les pâtisseries, conserves, le lait condensé, le fromage dur, les fruits et légumes craignant le froid ainsi que les agrumes.



## Consignes de rangement :

Rangez les aliments si possible bien emballés ou bien couverts. Ils garderont ainsi arôme, couleur et fraîcheur. Ceci empêche en outre que certains aliments ne communiquent leur goût à d'autres et que les pièces en plastique changent anormalement de couleur.

### Remarque

Évitez que les produits alimentaires entrent en contact avec la paroi arrière. Cela gênerait sinon la circulation de l'air.

Les produits alimentaires ou les emballages pourraient rester collés, par congélation, contre la paroi arrière.

## Tenez compte des différentes zones froides dans le compartiment réfrigérateur !

L'air circulant dans le compartiment réfrigérateur fait que des zones différemment froides apparaissent :

- La zone la plus froide se trouve dans le bac tiroir. Fig. **3**

### Remarque

Dans la zone la plus froide, rangez les aliments délicats (par ex. le poisson, la charcuterie, la viande).

- Zone la moins froide elle se trouve complètement en haut, contre la porte.

### Remarque

Rangez dans la zone la moins froide par ex. le fromage et le beurre. Ainsi, au moment de servir, le fromage conservera tout son arôme et le beurre restera tartinable.

---

## Le compartiment congélateur

### Utilisation du compartiment congélateur

- Sert à ranger des produits surgelés.
- Confectionner des glaçons.
- Pour congeler de petites quantités de produits alimentaires.

### Remarque

Veillez à ce que la porte du compartiment congélateur soit correctement fermée ! Si cette porte reste ouverte, les produits surgelés dégèleront. Le compartiment congélateur se couvrirait de givre. En outre : gaspillage d'énergie dû à une consommation élevée d'électricité !

---

## Capacité de congélation maximale

Sur la plaquette signalétique, vous trouverez des indications concernant la capacité de congélation maximale en 24 heures. Fig. **14**

---

## Congélation et rangement

### Achats de produits surgelés

- Leur emballage doit être intact.
- Ne dépassez pas la date-limite de conservation.
- Il faut que la température dans le congélateur bahut du supermarché soit de -18 °C ou encore plus basse.
- Utilisez de préférence un sac isotherme pour le transport puis rangez les produits le plus rapidement possible dans le compartiment congélateur.

---

## Congélation de produits frais

Pour congeler les aliments, n'utilisez que des aliments frais et d'un aspect impeccable.

Il faudrait blanchir les légumes avant de les congeler, pour préserver le mieux possible leur valeur nutritive, leur arôme et leur teinte. Il n'est pas nécessaire de blanchir les aubergines, poivrons, courgettes et asperges.

Vous trouverez en librairie toute une bibliographie sur la congélation et le blanchissement.

### Remarque

Veillez à ce que les produits alimentaires à congeler n'entrent pas en contact avec des produits déjà congelés.

- Se prêtent à la congélation : Pâtisseries, poissons et fruits de mer, viande de boucherie et gibier, volaille, fruits, légumes, herbes culinaires, œufs sans la coque, produits laitiers comme le fromage, le beurre et le fromage blanc, plats précuisinés et restes de plats tels que les soupes, ragouts, la viande et le poisson cuits, les plats aux pommes de terre, les soufflés et mets sucrés.
- Ne se prêtent pas à la congélation : Variétés de légumes habituellement dégustées crues telles que la salade ou les radis, œufs dans leur coque, raisins, pommes, poires et pêches entières, œufs cuits durs, yaourt, lait caillé, crème acidulée, crème fraîche et mayonnaise.

### Remarque

Lorsque vous mettez des produits alimentaires frais à congeler, le groupe frigorifique fonctionne plus longtemps. Selon les circonstances, la température risque de trop descendre dans le compartiment réfrigérateur. Haussez la température devant régner dans le compartiment réfrigérateur.

## Emballer les surgelés

L'air ne doit pas pénétrer dans l'emballage pour que les aliments ne perdent pas leur goût ni ne sèchent pas.

1. Placez les aliments dans l'emballage.
2. Presser pour chasser l'air.
3. Obturez l'emballage hermétiquement.
4. Indiquez sur l'emballage le contenu et la date de congélation.

### Emballages adaptés :

Feuilles en plastique, feuilles en polyéthylène, feuilles d'aluminium, boîtes de congélation.

Vous trouverez ces produits dans le commerce spécialisé.

### Emballages inadaptés :

Le papier d'emballage, le papier sulfurisé, les feuilles de cellophane, les sacs poubelles et les sacs en plastique ayant déjà servi.

### Moyens d'obturation adaptés :

Caoutchoucs, clips en plastique, ficelles, rubans adhésifs résistants au froid, ou assimilés.

Vous pouvez obturer les sachets et les feuilles en polyéthylène au moyen d'une thermosoudeuse.

## Durée de conservation des produits surgelés

Elle dépend de la nature des aliments.

Si la température a été réglée sur -8 °C :

- Poisson, charcuterie, plats pré-cuisinés, pâtisseries :  
jusqu'à 6 mois
- Fromage, volaille, viande :  
jusqu'à 8 mois
- Fruits et légumes :  
jusqu'à 12 mois

## Décongélation des produits

Selon la nature et l'utilisation des produits surgelés, vous pouvez choisir entre plusieurs possibilités :

- à la température ambiante,
- dans le réfrigérateur,
- dans le four électrique, avec / sans ventilateur à air chaud,
- dans le micro-ondes.



### Attention

Ne remettez pas à congeler des produits alimentaires partiellement ou entièrement décongelés. Vous pourrez les recongeler uniquement après les avoir transformés en plats pré-cuisinés (par cuisson ou rôtissage).

Dans ce cas, consommez-les nettement avant la date limite de conservation.

## Equipement

Vous pouvez modifier suivant besoin l'agencement des clayettes du compartiment intérieur et l'agencement des rangements en contre-porte :

- Soulevez les clayettes en verre, tirez-les en avant, abaissez-les puis sortez-les en les faisant pivoter sur le côté. Fig. **4**
- Transférez les bouchons et remettez la clayette en place. Fig. **5**
- Soulevez le rangement en contre-porte puis extrayez-le. Fig. **6**

## Équipement spécial

(selon le modèle)

### Bac tiroir

Fig. 7

Le bac tiroir convient particulièrement bien pour stocker des produits alimentaires d'origine animale. Il est possible de le retirer pour le garnir et le dégarnir.

### Bac à légumes avec couvercle

Fig. 8

Il est possible de retirer le bac à légumes pour le garnir, le dégarnir et pour le nettoyer.

### Porte-bouteilles

Fig. 9

Le porte-bouteilles empêche ces dernières de se renverser lorsque vous ouvrez et refermez la porte.

### Bac à glaçons

Fig. 10

1. Remplissez le bac à glaçons aux  $\frac{3}{4}$  avec de l'eau, puis placez-le dans le compartiment congélateur.
2. Si le bac est resté collé dans le compartiment congélateur, n'utilisez qu'un instrument émoussé pour le décoller (un manche de cuiller par ex.).
3. Pour enlever les glaçons du bac, passez-le brièvement sous l'eau du robinet ou déformez légèrement le bac.

---

## Autocollant « OK »

(selon le modèle)

Le contrôle de température « OK » permet de signaler les températures inférieures à +4 °C. Si l'autocollant n'affiche pas « OK », abaissez la température par palier.

### Remarque

À la mise en service de l'appareil, ce dernier peut mettre jusqu'à 12 heures avant d'atteindre la température correcte.



Réglage correct

---

## Arrêt et remisage de l'appareil

### Coupure de l'appareil

Tournez le thermostat, Fig. 2/A, sur la position « 0 ». Le groupe frigorifique et l'éclairage s'éteignent.

### Remisage de l'appareil

Si l'appareil doit rester longtemps sans servir :

1. Éteignez l'appareil.
2. Débranchez la fiche mâle du secteur ou ramenez le disjoncteur en position éteinte.
3. Nettoyez l'appareil.
4. Laissez la porte de l'appareil ouverte.

## Si vous dégivrez l'appareil

### Le dégivrage du compartiment réfrigérateur est entièrement automatique

Pendant que le groupe frigorifique tourne, des gouttelettes d'eau de condensation ou du givre se forment contre la paroi arrière du compartiment réfrigérateur. Ce phénomène est le résultat du fonctionnement de l'appareil. Inutile d'essuyer les gouttelettes d'eau de dégivrage ou de gratter le givre. La paroi arrière se dégivre automatiquement. L'eau du dégivrage s'écoule par la rigole d'écoulement à cet effet, Fig. III. Ensuite, elle gagne le groupe frigorifique où elle s'évapore.

#### Remarque

Maintenez les rigoles à eau de dégivrage et le trou d'écoulement propres afin que cette eau puisse s'écouler.

### Compartiment congélateur

Le compartiment congélateur ne dégivre pas automatiquement. Une couche de givre ou de glace gêne l'arrivée du froid sur les produits et augmente la consommation de courant. Décongelez régulièrement le compartiment congélateur.

#### Attention

Ne raclez jamais la couche de givre avec un couteau ou un objet pointu. Vous risqueriez d'endommager les tubulures dans lesquelles circule le produit réfrigérant. Le fluide réfrigérant en train de jaillir risque de s'enflammer ou de provoquer des lésions oculaires.

#### Procédure :

#### Remarque

Environ 4 heures avant le dégivrage, amenez le thermostat sur le réglage le plus élevé afin que les produits alimentaires atteignent une température très basse et puissent ainsi être stockés assez longtemps à la température ambiante.

1. Retirez les produits congelés et rangez-les temporairement dans un endroit frais.
2. Éteignez l'appareil.
3. Débranchez la fiche mâle de la prise de courant ou coupez le fusible.
4. Pour accélérer le dégivrage, posez dans le compartiment congélateur un dessous de plat et une casserole remplie d'eau chaude.
5. Essuyez l'eau de dégivrage avec un torchon ou une éponge.
6. Passez un essuie-tout sec pour sécher le compartiment congélateur.
7. Remettez l'appareil en marche.
8. Rangez à nouveau les produits surgelés dans les tiroirs.

## Nettoyage de l'appareil

### Attention

- N'utilisez aucun produit de nettoyage contenant du sable, du chlorure ou de l'acide, ni aucun solvant.
- N'utilisez jamais d'éponges abrasives ou susceptibles de rayer. Des zones corrodées pourraient apparaître sur les surfaces métalliques.
- Ne nettoyez jamais les clayettes et les bacs au lave-vaisselle. Ces pièces pourraient se déformer !

Procédure :

1. Éteignez l'appareil avant de le nettoyer.
2. Débranchez la fiche mâle du secteur ou ramenez le disjoncteur en position éteinte !
3. Sortez les produits congelés et rangez-les dans un endroit frais.
4. Ne nettoyez l'appareil qu'avec un chiffon doux, de l'eau tiède et du produit à vaisselle présentant un pH neutre. L'eau de nettoyage ne doit pas pénétrer dans l'éclairage.
5. N'essuyez le joint de porte qu'avec un chiffon et de l'eau propre ; ensuite, séchez-le à fond.
6. Veillez à ce que l'eau de nettoyage ne traverse pas le trou d'écoulement et ne pénètre pas dans la zone d'évaporation.
7. Après le nettoyage : rebranchez la fiche mâle de l'appareil puis réenclenchez-le.
8. Rangez à nouveau les produits surgelés dans les tiroirs.

## Équipement

Pour nettoyer, il est possible de retirer toutes les pièces variables de l'appareil.

### Retirer les clayettes en verre

Fig. **4**

Soulevez les clayettes en verre, tirez-les en avant, abaissez-les puis sortez-les en les faisant pivoter sur le côté.

### Extraire le bac tiroir

Fig. **7**

Soulevez le bac tiroir et extrayez-le.

### Rigole d'écoulement

Fig. **11**

Pour nettoyer la rigole d'écoulement d'eau de dégivrage, il faut extraire le bac tiroir. Fig. **1** / 4

Avec un bâtonnet ouaté ou assimilé, nettoyez régulièrement les rigoles et le trou d'écoulement de l'eau de dégivrage afin que cette eau puisse bien s'écouler.

### Retirer le bac à légumes avec couvercle

Fig. **8**

Soulevez le bac à légumes et extrayez-le par l'avant.

### Sortir les supports en contre-porte

Fig. **6**

Soulevez les supports et retirez-les.

### Extraire le porte-bouteilles

Fig. **9**

Soulevez l'arrière du porte-bouteilles et détachez-le du rangement en contre-porte.

### Orifice d'apport et d'évacuation d'air

Fig. **12**

Les grilles d'aération dans le socle s'enlèvent pour pouvoir nettoyer. A cette fin, poussez vers le bas les agrafes situées dans les orifices d'aération, puis extrayez simultanément la grille d'aération en avant.

## Economies d'énergie

- Placez l'appareil dans un local sec et aérable. Veillez à ce que l'appareil ne soit pas directement exposé aux rayons solaires et qu'il ne se trouve pas à proximité d'une source de chaleur (par ex. radiateur, cuisinière).

Utilisez le cas échéant une plaque isolante.

- Attendez que les plats chauds aient refroidi avant de les ranger dans le compartiment congélateur !
- Rangez les produits surgelés dans le compartiment réfrigérateur pour qu'ils dégèlent. Utilisez l'excédent de froid pour refroidir les aliments.
- N'ouvrez la porte de l'appareil que le plus brièvement possible !
- Faites dégeler régulièrement la couche de givre présente dans le compartiment congélateur !  
Une couche de givre gêne la communication du froid aux produits et accroît la consommation de courant.
- Veillez à ce que la porte du compartiment congélateur soit correctement fermée.

## Bruits de fonctionnement

### Bruits parfaitement normaux

#### Bourdonnement sourd

Les moteurs tournent (par ex. groupes frigorifiques, ventilateur).

#### Clapotis, sifflement léger ou gargouillis

Le fluide frigorigène circule dans les tuyaux.

#### Cliquetis

Le moteur, les interrupteurs ou les électrovannes s'allument / s'éteignent.

## Éviter la génération de bruits

### L'appareil ne repose pas d'aplomb

Veillez mettre l'appareil d'aplomb à l'aide d'un niveau à bulle. Ajustez ensuite l'horizontalité par les pieds à vis ou placez un objet dessous.

### L'appareil touche quelque chose

Eloignez l'appareil de meubles ou d'appareils voisins.

### Les bacs ou surfaces de rangement vacillent ou se coincent

Vérifiez les pièces amovibles puis remettez-les en place correctement.

### Des bouteilles ou récipients se touchent

Eloignez légèrement les bouteilles ou récipients les uns des autres.

## Remédier soi même aux petites pannes

Avant d'appeler le service après-vente (SAV) :

Vérifiez svp si vous ne pouvez pas remédier vous-même au dérangement à l'aide des instructions qui suivent.

Vous éviterez des dépenses inutiles car le déplacement du technicien du SAV vous sera facturé même pendant la période de garantie.

Dérangement	Cause possible	Remède
L'éclairage ne fonctionne pas.	L'ampoule est grillée.	Changez l'ampoule. Fig. <b>13</b> / B <ol style="list-style-type: none"> <li>1. Éteignez l'appareil.</li> <li>2. Débranchez la fiche mâle de la prise de courant et / ou ramenez le disjoncteur en position éteinte.</li> <li>3. Tirez la grille en avant.</li> <li>4. Changez l'ampoule (Ampoule de rechange : 220 - 240 V , courant alternatif, culot E14. Puissance : voir l'inscription sur l'ampoule défectueuse).</li> </ol>
	L'interrupteur de l'éclairage est coincé.	Vérifiez si l'interrupteur d'éclairage se déplace. Fig. <b>13</b> / A
Les aliments congelés sont collés entre eux ou contre une paroi.		Détachez-les à l'aide d'un objet émoussé. Ne les détachez pas avec un couteau ou un objet pointu.
Le compartiment congélateur présente une épaisse couche de givre.		Dégivrage du compartiment congélateur. Voir la section « Dégivrage ». Veillez toujours à ce que la porte du compartiment congélateur soit toujours correctement fermée.
Le fond du compartiment de réfrigération est mouillé.	Les rigoles à eau de dégivrage ou le trou d'écoulement sont bouchés.	Nettoyez les rigoles d'écoulement de l'eau de condensation et le tuyau d'écoulement voir « Nettoyage de l'appareil ». Fig. <b>11</b>



<b>Dérangement</b>	<b>Cause possible</b>	<b>Remède</b>
La température dans le compartiment réfrigérateur est trop basse.	La porte du compartiment congélateur est ouverte.	Fermez la porte du compartiment congélateur. La porte du compartiment congélateur encrante de façon bien audible.
	Vous avez mis d'un coup trop de produits à congeler.	Ne dépassez pas la capacité de congélation maximale.
	Le thermostat est réglé trop haut.	Réglez le thermostat sur une température plus basse.
Le groupe frigorifique s'enclenche de plus en plus souvent et longtemps.	Vous avez ouvert fréquemment l'appareil.	N'ouvrez pas l'appareil inutilement.
	Les orifices d'apport et d'évacuation d'air sont recouverts par des objets faisant obstacle.	Enlevez ces obstacles.
	Vous avez mis une assez grande quantité d'aliments à congeler.	Ne dépassez pas la capacité de congélation maximale.
Les produits congelés dégèlent.	La température ambiante, autour du réfrigérateur, est inférieure à +16 °C. Le groupe frigorifique démarre moins souvent.	Mettez le chauffage dans la pièce (plus de +16 °C). Appareils avec thermostat de température ambiante Fig. 2 / B : Pour enclencher le thermostat de température ambiante, appuyez dessus. Le repère rouge devient visible. Dans l'appareil, l'éclairage intérieur s'allume mais avec une luminosité moindre.

Dérangement	Cause possible	Remède
L'appareil ne refroidit pas.	Le thermostat se trouve sur la position « 0 ».	Tournez le thermostat pour lui faire quitter la position « 0 ». Fig. 2 / A
	<ul style="list-style-type: none"> <li>■ Coupure de courant.</li> <li>■ Le fusible / disjoncteur a été retiré / se trouve en position éteinte.</li> <li>■ Fiche mâle incorrectement branchée dans la prise de courant.</li> </ul>	Vérifiez s'il y a du courant, vérifiez les fusibles / disjoncteurs.

## Service après-vente

Pour connaître le service après-vente situé le plus près de chez vous, consultez l'annuaire téléphonique ou le répertoire des services après-vente (SAV). Veuillez indiquer au SAV le numéro de série (E-Nr.) de l'appareil et son numéro de fabrication (FD).

Vous trouverez ces indications sur la plaque signalétique Fig. 14

Aidez-nous à éviter des déplacements inutiles : indiquez les numéros de série et de fabrication. Vous économiserez ainsi des suppléments de frais inutiles.

## Commande de réparation et conseils en cas de dérangements

Vous trouverez les données de contact pour tous les pays dans l'annuaire ci-joint du service après-vente.

FR 01 40 10 11 00

B 070 222 141

CH 0848 840 040

العطل	السبب المحتمل	إزالة الأعطال
محرك التبريد يعمل دائماً لفترات أكثر وأطول من المعتاد.	باب الجهاز تم فتحه لمرات عديدة متتالية.	لا يجب فتح الباب إلا عند الضرورة.
	فتحات التهوية وتصريف الهواء مغطاة.	إزالة عوائق التهوية وتصريف الهواء.
	تم تجميد كمية كبيرة من المواد الغذائية الطازجة.	يجب الالتزام بسعة التجميد القصوى للجهاز.
المواد الغذائية المجمدة يذوب جليده.	في حالة انخفاض درجة حرارة الوسط المحيط بالجهاز إلى أقل من +16 درجة مئوية، حينئذ تتوقف ماكينة التبريد عن العمل.	يجب تدفئة الحجرة التي يوجد بها الجهاز إلى درجة أعلى من +16 درجة مئوية. للأجهزة المزودة بمفتاح درجة حرارة الوسط المحيط، الصورة 2/B. لضبط مفتاح درجة حرارة الوسط المحيط على وضع التشغيل يتم الضغط على المفتاح. العلامة الحمراء تصبح الآن مرئية. الإضاءة الداخلية الموجودة في الجهاز تضيء بإضاءة خافتة.
التلاجة ليس لديها قدرة على التبريد.	مفتاح تنظيم درجة الحرارة مضبوط على وضع «0».	يتم إدارة مفتاح تنظيم درجة الحرارة وضبطه على درجة أعلى من وضع «0». الصورة 2/A
	<ul style="list-style-type: none"> <li>■ انقطاع التيار الكهربائي.</li> <li>■ مفتاح المنصهر الرئيسي ليس في وضع التشغيل.</li> <li>■ قد تم وضع القابض في المقبس بطريقة صحيحة.</li> </ul>	يجب التأكد من وجود تيار كهربائي واختبار سلامة مفتاح المنصهر الرئيسي.

## مراكز خدمة العملاء

سوف تجد رقم الهاتف الخاص بأقرب مركز خدمة العملاء لك بدليل التليفون الرسمي أو في قائمة فهرس مراكز خدمة العملاء. رجاء ذكر رقم المنتج (E-Nr.) وكذلك رقم التصنيع (FD-Nr.) الخاص بالجهاز لمركز خدمة العملاء.

سوف تجد هذه البيانات بلوحة الطراز. الصورة 14

الرجاء مساعدة مركز خدمة العملاء على توفير نفقات غير ضرورية ذلك بذكر رقم المنتج ورقم التصنيع حيث يمكن بذلك توفير نفقات إضافية قد تنشأ نتيجة لعدم ذكر تلك البيانات.

## التكليف بأعمال إصلاح وتقديم المشورة في حالات الخلل

بيانات الاتصال الخاصة بجميع الدول تجدونها في سجل مراكز خدمة العملاء المورد مع الجهاز.

## إزالة الأعطال البسيطة بنفسك

قبل استدعاء مركز خدمة العملاء:

اختبر بنفسك إذا ما كان من الممكن إزالة الأعطال بنفسك بناء على التعليمات التالية. يجب عليك أن تتحمل بتكاليف استشارة مركز خدمة العملاء بنفسك حتى أثناء فترة الضمان!

العطل	السبب المحتمل	إزالة الأعطال
الإضاءة الداخلية لا تعمل.	المصباح تالف كما في.	استبدال المصباح التالف. الصورة B/18 1. يتم إبطال عمل الجهاز. 2. يتم فصل التيار الكهربائي بسحب القابس من المقبس أو إغلاق مفتاح المنصهر. 3. يتم سحب شبكة تغطية المصباح نحو الأمام. 4. استبدال المصباح بمصباح بديل (المصباح البديل، 220-240 فولت تيار متردد، قاعدة المصباح E14، واط أنظر المصباح التالف).
مفتاح الإضاءة منحشر كما في.	اختبر إذا أمكن تحريكه. إن لم تستطع تحريكه يرجى الاتصال بأحد مراكز الخدمة. الصورة A/18	
المواد الغذائية المجمدة ملتصقة بالجهاز.	قم بنزع المواد الغذائية المجمدة الملتصقة بالجهاز باستخدام أية آلة غير حادة. منوع استخدام السكين أو أية آلة حادة.	
توجد طبقة ثلجية سميكة في حيز التجميد.	يتم إزالة الطبقة الثلجية الموجودة في حيز التجميد (أنظر فصل إزالة الطبقة الثلجية). يجب التأكد دائماً من أن باب حيز التجميد مغلق على الوجه الصحيح.	
أرضية حيز التبريد مبللة.	يوجد انسداد في مجاري تصريف ماء ذوبان الطبقة الثلجية أو في ثقب التصريف. الصورة 11	رجاء تنظيف مجاري ماء الذوبان وماسورة التصريف (أنظر تعليمات تنظيف الجهاز).
انخفاض درجة الحرارة داخل حيز التبريد أكثر مما ينبغي.	باب حيز التجميد مفتوح.	أغلق باب حيز التجميد. يجب إحكام غلق باب حيز التجميد بصوت مسموع.
تم تجميد كمية كبيرة من المواد الغذائية دفعة واحدة.	لا تتعدى أقصى كمية للتجميد.	
مفتاح تنظيم درجة الحرارة مضبوط على درجة أعلى مما ينبغي.	مفتاح تنظيم درجة الحرارة مضبوط على درجة أعلى مما ينبغي.	يتم ضبط مفتاح تنظيم درجة الحرارة على درجة أقل.

## توفير الطاقة الكهربائية

- يجب نصب الجهاز في حجرة جافة قابلة للتهوية، وعدم تعريض الجهاز لأشعة الشمس المباشرة وعدم وضعه بالقرب من مصدر حراري (مثل جهاز التدفئة أو الموقد). وعند الاضطرار لذلك يفصل بينهما بلوح عازل.
- المواد الغذائية والمشروبات الدافئة يجب تركها خارج الجهاز حتى تكون قد بردت ثم يتم وضعها في الجهاز!
- يفضل وضع المواد الغذائية المجمدة في حيز التبريد حتى يذوب الثلج منها. وبهذا تستخدم البرودة المنبعثة من المواد المجمدة في تبريد المواد الغذائية الأخرى.
- الحرص على عدم فتح باب الثلاجة إلا لفترات قصيرة جداً بقدر الإمكان.
- يجب وبصورة منتظمة إزالة الطبقة الثلجية من حيز التجميد!
- يجب إذابة الصقيع أو الثلج الذي يتكون داخل حيز التجميد حيث أن تكوّن طبقة سميكة من الصقيع يؤثر سلبياً على انتقال البرودة إلى المواد المحفوظة كما يؤدي إلى زيادة استهلاك الطاقة.
- يجب التأكد من أن يكون باب حيز التجميد مغلقاً دائماً.

## الأصوات الصادرة أثناء عمل الثلاجة

### الأصوات العادية تماماً

#### الهدير

الحركات تعمل (على سبيل المثال وحدات التبريد، المراوح).

#### أصوات الدمدمة والقرقرة والأزيز

مادة التبريد تنساب خلال مواسير التوصيل.

#### صوت «كليك»

الحرك أو مفاتيح القطع والوصل أو الصمامات

المغناطيسية يتم تشغيلها/إيقاف تشغيلها.

### الأصوات التي يسهل إزالتها

#### الجهاز ليس منصوب باستواء أفقي

رجاء نصب الجهاز باستواء أفقي بالاستعانة بميزان ماء.

وتستخدم لذلك الحوامل القلاووظ أو يمكن وضع شيء ما تحت الحوامل.

#### الجهاز «مسنود»

رجاء تحريك الجهاز بعيداً عن الأثاث أو الأجهزة المسنودة عليه.

#### الحاويات أو أسطح الحفظ تهتز أو منحشرة

رجاء فحص الأجزاء التي يمكن فصلها أو سحبها وإعادة

تركيبها مرة أخرى عند اللزوم.

#### الأواني تلامس بعضها البعض

رجاء تحريك الزجاجات والأواني للفصل بينها قليلاً.

## تنظيف الجهاز

⚠ انتبه

- ممنوع تماما استخدام مواد التنظيف التي تحتوي على رمال أو كلوريد أو أحماض أو مواد إذابة كيميائية.
- ممنوع تماما استخدام قطع الاسفنج الخشنة أو قطع التنظيف المعدنية حيث أنها تلحق أضرار وخدوش بالأسطح المعدنية.
- ممنوع تماما تنظيف الأرفف والأدرج بغسالة الأواني الكهربائية حيث أن ذلك يؤدي إلى تعرضها للانحناء.

قم باتباع الخطوات التالية:

1. يجب إبطال عمل الجهاز قبل الشروع في تنظيفه.
2. يجب فصل الكهرباء عن الجهاز، بسحب القابس من المقبس أو إبطال عمل المنصهر.
3. يتم إخراج المواد الغذائية المجمدة وحفظها بمكان بارد ووضع ألواح التجميد عليها.
4. ثم قم بتنظيف الجهاز باستخدام ماء دافئ مخلوط بقليل من مادة غسيل الأطباق. ويجب مراعاة عدم دخول ماء التنظيف إلى داخل واجهة المراقبة.
5. يجب تنظيف حشوية الباب عن طريق مسحها بالماء النظيف دون خلطه بأية مواد تنظيف وجفيفها بعد ذلك جيدا بفوطة جافة.
6. يجب مراعاة عدم تسرب ماء الغسيل من خلال ثقب التصريف إلى وعاء التبخير.
7. بعد الانتهاء من التنظيف قم بتوصيل الجهاز بالتيار الكهربائي وأعد تشغيله.
8. يتم إعادة وضع المواد الغذائية المجمدة في الجهاز.

## التجهيزات

لغرض التنظيف فإن كافة الأجزاء القابلة للتشكيل المتنوع الخاصة بالجهاز يمكن أن يتم إخراجها من الجهاز.

### إخراج الرفوف الزجاجية

الصورة 4

يتم رفع الرفوف قليلا لأعلى، ثم يتم سحبها للأمام، ثم يتم إمالتها إلى أسفل، ثم يتم إدارتها وإخراجها جانبيا.

### إخراج الوعاء القابل للسحب للخارج

الصورة 7

يتم رفع الوعاء قليلا لأعلى ثم يتم إخراجها.

### مجرى تصريف الماء

الصورة 11

لتنظيف مجرى تصريف الماء فإنه يلزم أن يتم إخراج الوعاء القابل للسحب للخارج. الصورة 1/4

يجب وبصورة منتظمة تنظيف مجرى تصريف الماء وثقب التصريف باستخدام عصية أو ما شابه ذلك لكي يتمكن الماء الناتج عن ذوبان الطبقة الثلجية من الانسياب.

### إخراج وعاء الخضروات بالغطاء

الصورة 8

رفوف الباب يتم رفعها قليلا لأعلى ثم يتم إخراجها.

### إخراج الرفوف الموجودة في الباب

الصورة 6

الرفوف يتم رفعها قليلا لأعلى ويتم إخراجها.

### إخراج ماسك الزجاجات

الصورة 9

يتم رفع ماسك الزجاجات من الخلف ويتم إخراجها من رف الباب.

### فتحة التهوية

الصورة 12

لغرض إجراء التنظيف يمكن إخراج شبكة التهوية الموجودة في القاعدة. للقيام بذلك يتم ضغط الكلابات الموجودة في فتحات التهوية لأسفل ويتم في نفس الوقت سحب شبكة التهوية إلى الأمام وإخراجها.

## إبطال عمل الجهاز وعدم استخدامه لفترة طويلة

### إبطال عمل الجهاز

مفتاح تنظيم درجة الحرارة، الصورة 2/A، يتم إدارته وضبطه على وضع «0». ماكينة التبريد والإضاءة تتوقف عن العمل.

### عدم استخدام الجهاز لفترة طويلة

يجب إجراء ما يلي في حالة عدم استخدام الجهاز لفترة طويلة:

1. يتم إبطال عمل الجهاز.
2. فصل التيار الكهربائي بسحب القابض من المقبس.
3. تنظيف النلاجة.
4. يترك باب النلاجة مفتوحاً.

## إذابة الثلج

### حيز التبريد يتخلص ذاتياً من الطبقات الثلجية التي تتكون داخله

أثناء دوران ماكينة التبريد تتكون على الجدار الداخلي لحيز التبريد قطرات من الماء أو طبقة ثلجية هشّة ناجمة عن عملية التكثف وهو أمر يتعلق بالصفة الوظيفية للجهاز ولا محال منه. ولا توجد هناك ثمة ضرورة لإزالة هذه الطبقة الثلجية بالكحت أو لتجفيف قطرات الماء حيث أن الجهاز يذيب هذه الطبقة ذاتياً والماء الناتج عنها ينساب في مجرى تسريب الماء، الصورة 1/B، ويتجه إلى ماكينة التبريد حيث يتبخر هناك والماء الناتج عنها ينساب في مجرى لسريان الماء.

### تنبيه هام

يجب الانتباه لعدم انسداد ثقب ومجرى تجميع وسريان الماء لكي يتمكن الماء الناتج عن ذوبان الطبقة الثلجية من الانسياب.

## حيز التجميد

لا يتخلص حيز التجميد ذاتياً من الطبقات الثلجية التي تتكون داخله حتى لا تبدأ المواد الغذائية المجمدة بداخله إلى التعرض للذوبان السطحي. وتؤدي أي طبقة ثلجية تتكون بداخله سواء أكانت هشّة أم صلبة إلى إعاقة وصول البرودة إلى المواد الغذائية المجمدة كما تتسبب في ارتفاع استهلاك الكهرباء. يجب وبصورة منتظمة إزالة الطبقة الثلجية من حيز التجميد.

### ⚠ انتبه

ويجب الاجتناب تماماً عن إزالة أي طبقة ثلجية متكونة باستخدام سكين أو أية آلة حادة لتفادي إحداث ثقب بأنبوب الهواء البارد الخاص بحيز التجميد. من الممكن أن تشتعل الرذاذ المتناثرة من مادة التبريد أو تتسبب في إحداث إصابات بالعين.

### قم باتباع الخطوات التالية:

### تنبيه هام

قبل إزالة الطبقة الثلجية بمدة قدرها حوالي 4 ساعات يتم تشغيل التجميد الشديد (سوبر)، وذلك لكي تصل المواد الغذائية إلى درجة حرارة منخفضة (باردة) جداً ومن خلال ذلك يصبح من الممكن الحفاظ عليها لوقت أطول في درجة حرارة الغرفة العادية.

1. أخرج المواد الغذائية المجمدة وضعها في مكان بارد.
2. يتم إبطال عمل الجهاز.
3. اسحب القابض من المقبس أو اغلق المنصهر.
4. لجعل عملية إذابة الثلج أكثر سرعة يتم وضع وعاء طهي مملوء بماء ساخن على قاعدة عازلة للحرارة في داخل حيز التجميد.
5. وجفف الماء السابق ذوبانه بفضطة أو قطعة إسفنجية.
6. جفف حيز التجميد جيداً.
7. أعد تشغيل الجهاز.
8. ضع المواد الغذائية المجمدة فيه.

## وعاء الخضروات بالغطاء

الصورة 8

وعاء الخضروات يمكن إخراجها عند وضع وإخراج المواد الغذائية وكذلك لغرض التنظيف.

## مسند الزجاجات

الصورة 9

مسند الزجاجات يحمي الزجاجات من الانقلاب عند فتح أو إغلاق الباب.

## وعاء مكعبات الثلج

الصورة 10

1. يتم ملء وعاء مكعبات الثلج بماء بنسبة % ثم يتم وضعه في حيز التجميد.
2. يجب استخدام أدوات غير حادة لنزع أواني الثلج الملتصقة (ب يد ملعقة).
3. لتفريغ الثلج يحمل الوعاء مهلة قصيرة تحت ماء منساب أو يرج الوعاء عدة مرات.

## الملصق «OK»

(لا يسري على كافة الطرازات)

باستخدام مراقبة درجة الحرارة «OK» يمكن الكشف عن درجات الحرارة التي تقل عن +4 درجة مئوية. في حالة ما إذا كان الملصق لا يظهر «OK» يتم ضبط درجة الحرارة بصورة تدريجية على مستوى أدنى من البرودة.

تنبيه هام

عند البدء في تشغيل الجهاز فإن الوصول إلى درجة الحرارة المطلوبة يمكن أن يستغرق فترة قد يصل قدرها حتى 12 ساعة.



درجة الحرارة مضبوطة تماما

## إذابة جليد الأطعمة المجمدة

يمكن اختيار أحد الأساليب التالية حسب نوع المواد المجمدة والغرض من الاستخدام:

تركها لتذوب

■ بدرجة حرارة الغرفة

■ في الثلاجة العادية

■ في فرن الموقد الكهربائي، باستخدام مروحة الهواء الساخن أو بدونها

■ في جهاز فرن المايكروويف

⚠ انتبه

لا يمكن إعادة تجميد الأطعمة بعد ذوبان جليدها مرة أخرى. يجب أولاً إعدادها من خلال (طهيها أو قليها) أو خضيرها كوجبة جاهزة ثم تجميدها مرة أخرى. لا يُنصح بترك الأطعمة المجمدة حتى أقصى فترة تخزين.

## التجهيزات

يمكن تغيير وضع الأرفف الخاصة بالحيز الداخلي للجهاز هكذا:

- يتم رفع الرف الزجاجي قليلاً لأعلى، ثم يتم سحبه للأمام، ثم يتم إمالاته إلى أسفل، ثم يتم إدارته وإخراجه جانبياً. الصورة 4
- يتم نقل عناصر الحمل وتثبيتها في الموضع المطلوب ويتم إدخال الرفوف في موضعها من جديد. الصورة 5
- رف الباب يتم رفعه لأعلى وإخراجه. الصورة 6

## تجهيز خاص

(لا يسري على كافة الطرازات)

## الوعاء القابل للسحب للخارج

الصورة 7

الوعاء القابل للسحب للخارج مناسب بصورة خاصة لتخزين المواد الغذائية المنتجة من مصدر حيواني. هذا الوعاء يمكن إخراجها عند وضع وإخراج المواد الغذائية وكذلك لغرض التنظيف.



## تجميد وتخفظ المواد الغذائية

في حالة القيام بتجميد المواد الغذائية بنفسك، فيجب عدم استخدام سوى المواد الغذائية الطازجة الخالية من العيوب فقط.

من أجل المحافظة بأكبر قدر ممكن على القيمة الغذائية والنكهة واللون يجب تبيض الخضروات بماء مغلي قبل تجميدها. فيما يتعلق بالباذنجان والفلفل الخلو (الرومي) والكوسة (القرع) وجذور الهليون فإن التبييض لا يكون لازماً.

في المكتبات توجد كتب تدور حول التجميد، وهذه الكتب تحتوي أيضاً على وصف تفصيلي لعملية التبييض بالماء المغلي.

### تنبيه هام

ويجب في ذلك مراعاة عدم تلاصق المواد الغذائية الطازجة المطلوب تجميدها مع المواد الغذائية المجمدة بالفعل.

### ■ المواد الغذائية المناسبة للتجميد هي:

المواد الغذائية المجمدة، الأسماك وفواكه البحر، اللحوم، ولحوم الحيوانات البرية، لحوم الطيور، الخضروات، الفواكه، الأعشاب، البيض بدون قشرة، منتجات الألبان مثل الجبن والزبد والقشدة، الأطعمة الجاهزة وبقيايا الأطعمة مثل أنواع الحساء، أنواع اليخنة، اللحوم والأسماك التي تم إنضاجها، أطعمة البطاطا (البطاطس)، وأطعمة الصواني المنضجة في الفرن والأطعمة الحلوة.

### ■ المواد الغذائية الغير مناسبة للتجميد هي:

أنواع الخضروات التي يتم في المعتاد تناولها نيئة بدون إنضاج مثل خضروات السلطانات الوردية أو الفجل، البيض في قشره، ثمار التفاح والكمثرى (الإجاص) والدراق (الخوخ) الكاملة، البيض المسلوق، الزبادي (الروب)، اللبن الرائب، القشدة الرائبة، والكرمية الرائبة وصلصة المايونيز.

### تنبيه هام

قد يؤدي وضع كمية كبيرة من المواد الغذائية الطازجة في حيز التجميد، إلى زيادة فترة عمل ماكينة التبريد تلقائياً حتى يتم تجمد المواد الغذائية وبالتالي يؤدي ذلك إلى انخفاض شديد في درجة الحرارة بحيز التبريد. حينئذ يجب ضبط زر ضبط درجة الحرارة على درجة أقل.

## تغليف المواد الغذائية المطلوب تجميدها

يجب تعبئة المواد الغذائية بحيث لا يتسرب إليها الهواء وذلك حتى لا تفقد طعمها أو تتعرض للجفاف.

1. قم بتغليف المواد الغذائية.
2. قم بإفراغ الهواء من التغليف تماماً.
3. ثم اغلق العبوة بإحكام.
4. قم بتسجيل محتوى العبوة وتاريخ حفظها على الغلاف.

### المواد المناسبة للتغليف هي:

أكياس ورقائق البلاستيك، الرقائق الخرطومية المصنوعة من البولي إيثيلين، رقائق الألومنيوم وعلب التجميد.

هذه المنتجات متوفرة لدى المتاجر المتخصصة.

### المواد غير المناسبة للتغليف هي:

ورق الفرن، الورق الصامد للشحم، ورق السيلوفان، أكياس القمامة وأكياس المشتريات المستعملة.

### المواد المناسبة لإحكام الغلق هي:

الحلقات المطاطية، المشابك البلاستيكية، خيوط الربط، شرائط اللصق التي تحمل البرودة أو ما شابه ذلك. يمكن لحام فتحات الأكياس والرقائق الخرطومية بواسطة جهاز لحام الأكياس البلاستيكية.

## مدة الصلاحية للتخزين

تحدد فترة التخزين المسموح بها طبقاً لنوع المواد الغذائية.

في درجة حرارة متوسطة يمكنك تخزين 18-°م:

- الأسماك والنقائق والأطعمة الجاهزة والأطعمة المجمدة لفترة تصل إلى 6 أشهر
- والجبن ولحوم الطيور واللحوم لفترة تصل إلى 8 أشهر
- والخضروات والفاكهة لفترة تصل إلى 12 أشهر

## السعة القصوى للتجميد

تجد على لائحة الطراز السعة القصوى المتاحة خلال 24 ساعة طبقاً لطراز الجهاز. الصورة 14

## تجميد وحفظ المواد الغذائية

### يجب مراعاة ما يلي عند شراء الأطعمة المجمدة

- تأكد من عدم وجود أية شقوق أو أضرار بأغلفة الأطعمة.
- تأكد أن تاريخ الصلاحية لم ينتهي بعد.
- يجب أن يظهر في بيان درجة الحرارة بتلاجة المتجر 18-°م أو أبرد في حالة عدم توافر هذا الشرط فإن هذا يؤدي إلى قصر مدة الصلاحية.
- ينبغي وضع الأطعمة المجمدة في حقيبة عازلة للحرارة ونقل الأطعمة بسرعة إلى المنزل وحفظها فوراً في الحيز الخاص بالتجميد.

## رجاء الانتباه إلى المناطق الأكثر برودة

### بحيز التبريد

تختلف درجات البرودة داخل حيز التبريد نتيجة لعملية دوران الهواء:

- المنطقة الأكثر برودة توجد في الوعاء القابل للسحب للخارج. الصورة 3

### تنبيه هام

رجاء حفظ المواد سريعة الفساد (مثل الأسماك والسجق واللحوم) في المناطق الأكثر برودة.

- المناطق الأقل برودة توجد المنطقة الأقل برودة في أعلى باب الثلاجة.

### تنبيه هام

رجاء حفظ الجبن والزبد في المناطق الأقل برودة. حيث يحتفظ الجبن بنكهته ويظل الزبد لين وسهل الدهن.

## حيز التجميد

### استخدام حيز التجميد

- إن حيز التجميد مجهز لحفظ المواد الغذائية المجمدة.
- ولإعداد الثلج.
- ولتجميد كميات قليلة من المواد الغذائية.

### تنبيه هام

- رجاء الانتباه لإحكام غلق باب حيز التجميد بصفة دائمة.
- ترك باب الحيز مفتوحاً يؤدي إلى ذوبان ثلج المواد المجمدة.
- كما يؤدي إلى تراكم الثلج بحيز التجميد.
- إضافة إلى ذلك يرتفع استهلاك الجهاز للطاقة الكهربائية.
- باب حيز التجميد ينغلق مستقراً في وضعه الصحيح بصوت مسموع.

## تشغيل الجهاز

مفتاح تنظيم درجة الحرارة، الصورة A/2، يتم إدارته بحيث يصبح لم يعد مضبوطاً على وضع «0». الجهاز يبدأ في التبريد. عند فتح باب الجهاز يضيء مصباح الإضاءة الداخلية.

## تنبيهات لتشغيل الجهاز

- درجة الحرارة في حيز التبريد ترتفع بشكل مؤقت في حالة تكرار فتح الباب.
- بسبب تخزين كمية كبيرة من المواد الغذائية
- بسبب ارتفاع درجة حرارة الوسط المحيط بالجهاز.

## ضبط درجة الحرارة

- مفتاح تنظيم درجة الحرارة، الصورة A/2، يتم إدارته إلى وضع الضبط المرغوب فيه.
- تبلغ درجة الحرارة بالجهاز حوالي +4 درجة مئوية عند ضبط الزر على درجة متوسطة. صورة 3
- كلما أرتفع الرقم كلما زادت درجة البرودة بحيزي التبريد والتجميد.
- ننصح بما يلي:

- المواد الغذائية الحساسة أو سريعة التلف يجب حفظها في درجة حرارة لا تزيد عن +4 درجة مئوية،
- الضبط على أحد الأرقام المنخفضة عند تخزين المواد الغذائية لفترة قصيرة المدى (التشغيل على مستوى موفر للطاقة)،
- الضبط على أحد الأرقام المتوسطة عند تخزين المواد الغذائية لفترة طويلة المدى،
- الضبط على أحد الأرقام المرتفعة بصورة مؤقتة فقط في حالة تكرار فتح الباب أو في حالة تخزين كميات كبيرة من المواد الغذائية بحيز التبريد.

## السعة القصوى المتاحة للتبريد

قد ترتفع درجة الحرارة داخل حيز التبريد أكثر مما ينبغي بصفة مؤقتة عند وضع كمية كبيرة من المواد الغذائية الطازجة أو المشروبات بالجهاز. حينئذ يجب ضبط زر ضبط درجة الحرارة على أعلى لمدة 7 ساعات تقريباً.

## حيز التجميد

درجة الحرارة في حيز التجميد تكون متوقفة على درجة حرارة حيز التبريد.

## الحجم المتاح للاستخدام

تتواجد الإيضاحات المتعلقة بالحجم الكلي المتاح للاستخدام على لوحة المواصفات الفنية الملتصقة على الجهاز. الصورة 14

## حيز التبريد

حيز التبريد هو المكان المثالي لحفظ الأطعمة الجاهزة، المواد الغذائية المجمدة، معلبات المواد الغذائية، الحليب المركز، أنواع الجبن الصلبة، الفواكه والخضروات الحساسة للبرودة وكذلك الثمار الاستوائية.

## انتبه عند حفظ المواد الغذائية

### إلى التالي:

قم بتغليف أو تغطية المواد الغذائية قبل إدخالها، حيث أن هذا يساعد على الحفاظ على نكهتها ولونها ونضارتها. وبالإضافة إلى ذلك فإن هذا يؤدي إلى تجنب انتقال الروائح إلى الأجزاء البلاستيكية للجهاز وحدوث تلون لها.

### تنبيه هام

يرجى منكم تجنب حدوث تلامس بين المواد الغذائية وبين الجدار الداخلي الخلفي. عند عدم الالتزام بذلك فإن دورة الهواء يتم التأثير عليها سلبياً.

المواد الغذائية أو مواد التغليف يمكن أن تلتصق من خلال التجمد على الجدار الداخلي الخلفي.

## تعرف على جهازك الجديد



افتح من فضلك الصفحة الأخيرة المطوية التي تتضمن الأشكال التوضيحية.

تجهيزات الطرازات يمكن أن تكون مختلفة من طراز إلى آخر. إن دليل الاستخدام هذا مُعدّ للفييف من الأطرزة، وقد ينجم عن ذلك تفاوت بشأن الأشكال التوضيحية.

صورة 1

- 1 مفتاح الإضاءة
- 2 مفتاح ضبط درجة الحرارة/مصباح الضوء الداخلي
- 3 رف زجاجي في حيز التبريد
- 4 وعاء قابل للسحب للخارج
- 5 وعاء الخضراوات
- 6 شبكة التهوية وتصريف الهواء
- 7 الدرج الخاص بالجبن والزبد
- 8 وعاء البيض
- 9 خانة الزجاجات الكبيرة

A حيز التجميد

B قسم التبريد

## توصيل الجهاز بالتيار الكهربائي

ينبغي بعد نصب الجهاز الانتظار لمدة ساعة على الأقل قبل تشغيل الجهاز لأول مرة. فمن الممكن أثناء النقل أن يحدث انتقال للزيت المتواجد بماكينة التبريد إلى شبكة التبريد. فمن الممكن أثناء النقل أن يحدث انتقال للزيت المتواجد بماكينة التبريد إلى شبكة التبريد.

يجب تنظيف الحيز الداخلي للجهاز قبل تشغيله لأول مرة (أنظر البند الخاص بالتنظيف).

يجب أن يكون من السهل الوصول إلى مصدر توصيل التيار الكهربائي (المقبس).

## توصيل الجهاز بالتيار الكهربائي

من اللازم أن يكون المقبس موجودا بالقرب من الجهاز ويلزم أن يكون من الممكن الوصول إليه بسهولة حتى بعد نصب الجهاز.

الجهاز متوافق مع متطلبات مستوى الحماية I. يتم توصيل الجهاز بتيار كهربائي متردد 220-240 فولت/50 هرتز عبر مقبس جرى تركيبه على نحو مطابق للمواصفات ومجهز بسلك تأريض واقى. ويجب أن يكون المقبس مؤمن بواسطة منصهر تصل قدرته من 10 إلى 16 أمبير.

بالنسبة للأجهزة التي تستخدم في دول غير أوروبية، فيجب الرجوع إلى لوحة الطراز لمعرفة إذا ما كانت البيانات المذكورة بها والخاصة بجهد التيار ونوعه تتطابق مع القيم الخاصة بشبكة التيار الكهربائي الخاصة بك.

هذه البيانات توجد على لوحة بيانات الطراز. الصورة 14

لضبط مفتاح درجة حرارة الوسط المحيط على وضع التشغيل يتم الضغط على المفتاح. الصورة B/2 العلامة الحمراء تصبح الآن مرئية.

لغرض الاقتصاد في استهلاك الطاقة فإنه يجب ضبط مفتاح درجة حرارة الوسط المحيط على وضع إيقاف التشغيل بمجرد أن تكون درجة حرارة الوسط المحيط بالجهاز قد أصبحت أعلى من +16 درجة مئوية.

## التهوية

الصورة 1/6

تهوية ماكينة التبريد تتم فقط من خلال شبكة التهوية الموجودة بالفاصلة. لذلك لا يجب بأي حال من الأحوال تغطية شبكة التهوية. عدم إتاحة ذلك يدفع ماكينة التبريد إلى العمل بقدرة أكبر مما يؤدي بالتالي لزيادة استهلاك الكهرباء.

## نصب الجهاز

المكان الصالح لنصب الجهاز هو غرفة جافة وجيدة التهوية. المكان الذي يتم نصب الجهاز فيه يجب ألا يكون معرضاً لأشعة شمس مباشرة وألا يكون قريباً من مصدر حرارة مثل موقد أو مدفأة الخ. في حالة ما إذا كان لا محال من نصب الجهاز بالقرب من مصدر حرارة، فإنه يجب استخدام لوح عزل مناسب أو يجب الحفاظ على مسافات فاصلة بين الجهاز وبين مصدر الحرارة يبلغ قدرها على الأقل:

- بين الجهاز وبين موقد كهربائي أو موقد غاز 3 سنتيمتر.
- بين الجهاز وبين موقد زيت أو موقد فحم 30 سنتيمتر.

## التركيب تحت وحدة أثناس

عند تعلق الأمر بالألواح عمل. على سبيل المثال تلك المصنوعة من الحجر أو الزجاج أو الفولاذ الذي لا يصدأ. فإن التثبيت تحت لوح العمل يكون في الكثير من الحالات غير ممكناً. يمكنكم لدى مركز خدمة العملاء طلب ملحقات تكميلية للتركيب على الجدران الجانبية.

## يرجى مراعاة درجة حرارة الوسط المحيط والتهوية

### درجة حرارة الوسط المحيط

الجهاز مصمم ومعد للعمل في درجة تصنيف طقس محيط معينة. بالتوقف على درجة تصنيف الطقس المحيط يمكن تشغيل الجهاز في درجات حرارة الوسط المحيط المذكورة فيما يلي.

تصنيف الطقس يكون مذكوراً في لوحة بيانات الطراز.

الصورة 14

درجة حرارة الوسط	درجة تصنيف الطقس المحيط
SN	+10 °م حتى 32 °م
N	+16 °م حتى 32 °م
ST	+16 °م حتى 38 °م
T	+16 °م حتى 43 °م

### تنبيه

الجهاز يكون في حالة صلاحية تامة لأداء وظيفته عند تشغيله في داخل نطاق حدود درجات حرارة الوسط المحيط الخاصة بتصنيف الطقس المحيط المنصوص عليها. في حالة تشغيل جهاز من درجة تصنيف الطقس المحيط SN في درجات حرارة وسط محيط باردة (منخفضة) عما ينبغي، فإنه يمكن الانطلاق بصورة قاطعة من عدم حدوث أي تلف أو ضرر بالجهاز حتى درجة حرارة قدرها +5 درجات مئوية.

### مفتاح درجة حرارة الوسط المحيط

في حالة ما إذا انخفضت درجة حرارة الوسط المحيط بالجهاز إلى درجة أقل من 16 درجة مئوية، عندئذ فإن درجة الحرارة السائدة في حيز التجميد يمكن أن تصبح أدفاً ما ينبغي. في أسوأ الحالات فإن ذلك يمكن أن يؤدي إلى إذابة الجليد عن المواد الغذائية المجمدة. لمنع حدوث ذلك يجب ضبط مفتاح درجة حرارة الوسط المحيط على وضع التشغيل. من خلال ذلك تزيد فترات عمل ماكينة التبريد. الجهاز يمكن الآن تشغيله في درجة حرارة وسط محيط تتراوح بين +10 درجة مئوية و +16 درجة مئوية.

## ⚠️ تحذير

جعل الجهاز القديم غير صالح للاستخدام:

1. فصل التيار الكهربائي بسحب القابض من المقبس
  2. قطع سلك التوصيل الكهربائي واستعباده مع القابض.
  3. يجب عدم إخراج الرفوف والحوايات من الجهاز، وذلك لأنها تشكل عوائق تجعل من الأكثر صعوبة على الأطفال أن يقوموا بالتسلق إلى داخل الجهاز!
  4. يجب عدم ترك الأطفال ليلعبوا بالجهاز الذي انتهى عمره التشغيلي. خطر حدوث اختناق!
- تحتوي أجهزة التبريد على مواد تبريد كما تحتوي على غازات في الأجزاء العازلة. يجب تصريف مواد التبريد والغازات بطريقة تقنية صحيحة. لذلك يجب الحرص على عدم الإضرار بالمواسير الخاصة بمسار دورة مادة التبريد وذلك حتى يتم تصريفها بالطريقة التقنية الصحيحة.

## متضمنات التوريد

بعد فض مواد التغليف يجب فحص جميع الأجزاء للكشف عما قد يوجد بها من تلف أو ضرر.

في حالة وجود أي عيب يرجى منكم الاتصال بالتاجر الذي اشترتتم الجهاز منه أو الاتصال بمركز خدمة العملاء التابع لنا.

متضمنات التوريد تتكون من الأجزاء التالية:

- جهاز للتركيب تحت لوح عمل/وحدة أثاث
- التجهيزات (بالتوقف على الطراز)
- كيس يتضمن لوازم التركيب
- تعليمات لاستخدمتم
- تعليمات التركيب
- دفتر خدمة العملاء
- مرفق بيان الضمان
- معلومات بشأن توفير الطاقة وأصوات التشغيل

## إرشادات التخلص من الفضلات

### ♻️ التخلص من تغليف الجهاز الجديد

يعمل التغليف على حماية جهازك الجديد من التعرض لأي تلف في الطريق حتى يصل إليك. جميع المواد المستخدمة في التغليف غير ضارة بالبيئة ويمكن إعادة استخدامها. لذلك نرجو منك المساهمة معنا: تخلص من مواد التغليف بطريقة تحافظ على البيئة.

رجاء الاستفسار عن أحدث طرق التخلص من الفضلات لدى المتجر المتخصص الخاص بمنطقتك أو لدى إدارة البلدية المختصة بك.

### ♻️ التخلص من الجهاز القديم

الأجهزة القديمة ليست مجرد نفايات عديمة القيمة! فعن طريق التخلص من النفايات بأسلوب يحافظ على البيئة يمكن الحصول مرة أخرى على مواد أولية ذات قيمة عالية.

هذا الجهاز مصنف طبقاً للتعليمات الأوروبية 2012/19/EG المتعلقة بالأجهزة الكهربائية والإلكترونية المستهلكة

(waste electrical and electronic equipment – WEEE)

وتحدد هذه التعليمات الإطار المتعلق باسترجاع الأجهزة المستهلكة والاستفادة من خاماتها في كل أنحاء الاتحاد الأوروبي. يمكن الحصول على المعلومات المتعلقة بأحدث الأساليب الجارية للتخلص من الأجهزة المستهلكة عند أحد المحلات التجارية المتخصصة أو لدى إدارة المدينة.

## في حالة وجود أطفال بالبيت

- يجب عدم ترك مواد التغليف للأطفال حيث ذلك يعرضهم لخطر الاختناق بواسطة علب الورق المقوى ورقائق البلاستيك.
- الجهاز ليس لعبة يلهى بها الأطفال.
- بالنسبة للأجهزة ذات الأقفال يجب حفظ المفاتيح بعيدا عن متناول الأطفال.

## قواعد عامة

- هذا الجهاز مخصص فقط
  - لتبريد وتجميد المواد الغذائية،
  - لتحضير الثلج.
- هذا الجهاز معد ومخصص للاستخدام في الأغراض المنزلية في المساكن الخاصة (غير التجارية أو الاحترافية) وفي نطاق البيئة المنزلية فقط.
- هذا الجهاز مخصص للاستخدام المنزلي.
- تم اختبار المحجب الكهربائي بالجهاز طبقا للقواعد السارية بالمجموعة الأوربية (2004/108/EC).
- قد تم فحص مسار دورة مادة التبريد للتأكد من عدم حدوث تسرب.
- تم تصنيع هذا الجهاز طبقا لقواعد الأمان السارية لتصنيع الأجهزة الكهربائية (EN 60335-2-24).
- هذا الجهاز مناسب للاستخدام على ارتفاع حتى 2000 متر فوق سطح البحر بحد أقصى.

- لا يجب إساءة استخدام الحوامل أو الأجزاء القابلة للسحب الخارج أو الأبواب أو ما إلى ذلك، فلا يصح الوقوف أو الاستناد عليها.
- يجب عند القيام بإذابة الجليد أو بتنظيف الجهاز فصل الكهرباء عن الجهاز، بسحب القابس من المقبس أو إبطال عمل المنصهر. ويراعى سحب القابس نفسه وعدم جذب السلك.
- لا يجب تخزين سوائل تحتوي على نسبة عالية من الكحول في الثلاجة إلا إذا كانت في عبوات مغلقة بإحكام وفي الوضع القائم.
- لا يجب تلوين الأجزاء المصنوعة من البلاستيك أو حواشي إحكام غلق الباب بالزيت أو بالدهون، لأن ذلك يساعد على تكوين مسام في الأجزاء البلاستيكية وحواشي الباب.
- يجب عدم تغطية أو وضع أشياء على فتحات التهوية أو فتحات إخراج الهواء.
- تجنّب المخاطر على الأطفال والأشخاص المعرضين للخطر الأشخاص المعرضون للخطر هم الأطفال والأشخاص الذين يعانون من قصور جسدي أو نفسي أو إدراكي. والأشخاص الذين لديهم قصور في معرفة كيفية استخدام هذا الجهاز بأمان. تأكد من أن الأطفال والأشخاص المعرضين للخطر على استيعاب للمخاطر. يجب على الشخص المسئول عن الأمان مراقبة وتوجيه الأطفال والأشخاص المعرضين للخطر. يسمح فقط للأطفال فوق عمر 8 سنوات استخدام الجهاز. عند تنظيف الجهاز وصيانته يجب مراقبة الأطفال. لا يجوز أبداً السماح للأطفال بالعبث بالجهاز.
- ممنوع تماما تجميد السوائل الموجودة داخل زجاجات أو علب معدنية (المشروبات الغازية بصفة خاصة). خطر انفجار الزجاجات والعلب.
- لا يجب أخذ المواد الغذائية المتجمدة من حيز التجميد ووضعها في الفم مباشرة.
- خطر التعرض للحريق نتيجة لدرجة الحرارة المنخفضة جدا!
- يجب تجنب إمساك المواد المتجمدة أو الآيس كريم أو وصلات التبريد بالأيدي فترة طويلة.
- خطر التعرض للحريق نتيجة لدرجة الحرارة المنخفضة جدا!

## إرشادات وتحذيرات خاصة بالأمان

في حالة حدوث تلف بسلك التوصيل بالتيار الكهربائي، عندئذ يلزم أن يتم استبداله من قبل منتج الجهاز أو أحد مراكز الخدمة التابعة له أو من قبل شخص حائز على تأهيل تقني مشابه. أعمال التركيب أو الإصلاح التي يتم إجرائها بطريقة تخالف الأصول يمكن أن تتسبب في تعريض مستخدم الجهاز لمخاطر جسيمة.

يجب عدم إجراء أية أعمال إصلاح في الجهاز إلا من قبل منتج الجهاز أو أحد مراكز الخدمة التابعة له أو من قبل شخص حائز على تأهيل تقني مشابه.

لا يسمح باستخدام أية قطع غيار غير قطع الغيار الأصلية المصنوعة من قبل منتج الجهاز. فقط عند استخدام قطع الغيار الأصلية هذه فإن منتج الجهاز يكفل كون قطع الغيار هذه تفي بمتطلبات السلامة والأمان.

لا يسمح باستخدام أية توصيلة إطالة لسلك التوصيل بالتيار الكهربائي إلا تلك التي يتم الحصول عليها لدى مركز خدمة العملاء.

### يجب مراعاة ما يلي عند الاستخدام

- ممنوع تماماً استخدام أية أجهزة كهربائية في داخل الفلاجة (مثل أجهزة التسخين أو التدفئة أو أجهزة إعداد الثلج الكهربائية وما إلى ذلك).  
خطر الانفجار!
- ممنوع تماماً استخدام جهاز تنظيف البخار من أجل إذابة الجليد بالفلاجة أو تنظيفها! فمن الممكن أن يصل البخار إلى بعض الأجزاء الكهربائية ويسبب بها ماس كهربائي أو يتسبب في إصابة أحد الأشخاص بالصعق الكهربائي.
- ممنوع تماماً حك طبقات الجليد المتراكمة أو محاولة نزع المواد الغذائية المجمدة الملتصقة بالجهاز باستخدام سكين أو أية آلة حادة حيث قد يؤدي ذلك إلى إصابة مواسير مسار دورة التبريد بأضرار. من الممكن أن تتسبب الرذاذ المتناثر من مادة التبريد في إحداث إصابات بالعين كما أنه من الممكن أن يشتعل.
- لا يجب تخزين أية منتجات تحتوي على غازات قابلة للاشتعال (مثل عبوات الرش) في الفلاجة أو أية مواد قابلة للانفجار.  
خطر الانفجار!

### قبل أن تبدأ في تشغيل الجهاز لأول مرة

يجب قراءة تعليمات الاستخدام وتعليمات التركيب كاملة وبعناية واهتمام!

فهذه التعليمات تحتوي على معلومات هامة خاصة بنصب الجهاز وطريقة استخدامه وصيانته.

منتج الجهاز لا يتحمل أية مسؤولية أو ضمان في حالة قيامكم بعدم مراعاة الالتزام بالتبهيئات والتحذيرات المنصوص عليها في تعليمات الاستخدام.

لذا نرجو بالاحتفاظ بتعليمات الاستخدام وتعليمات التركيب وإعطاء تلك التعليمات لمن يؤول له الجهاز فيما بعد.

### إرشادات أمان تقنية

يحتوي الجهاز على كمية قليلة من مادة التبريد R600a وهي لا تضر البيئة ولكنها قابلة للاشتعال. نرجو الانتباه إلى عدم إصابة مواسير مسار دورة مادة التبريد بأية أضرار أثناء نقل الجهاز أو تركيبه. من الممكن أن تتسبب الرذاذ المتناثر من مادة التبريد في إحداث إصابات بالعين كما أنه من الممكن أن يشتعل.

في حالة إصابة الجهاز بأضرار يجب:

- ألا تكون أية نيران مكشوفة أو مصادر لإشعال النار قريبة من المكان.
- فصل التيار الكهربائي بسحب القابس من المقبس.
- افصل الجهاز عن التيار الكهربائي بسحب القابس من المقبس.
- إخبار مركز الخدمة بالحادث.

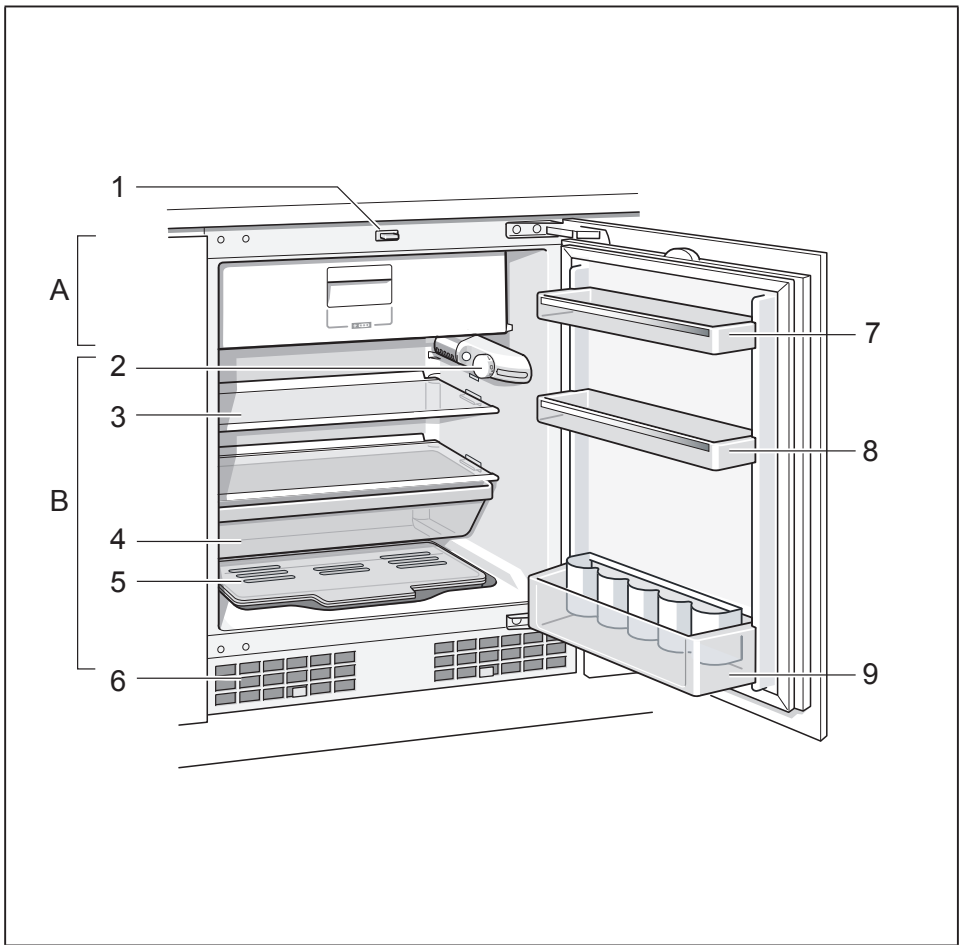
كلما زادت كمية مادة التبريد في أي جهاز، كلما كان من الضروري أن يتسع حجم المكان الذي يتواجد فيه هذا الجهاز. من الممكن في حالة الغرف الصغيرة أكثر ما ينبغي أن يتكون خليط من الغاز والهواء قابل للاشتعال عند حدوث تسرب لمادة التبريد.

يجب أن يكون هناك تناسب بين حجم الحجره وكمية مادة التبريد بحيث يكون متاحاً لكل 8 غرام من مادة التبريد حيز لا يقل عن متر مكعب واحد. كمية مادة التبريد الموجودة في الجهاز الخاص بكم مدونة على لوحة الطراز المثبتة بالحيز الداخلي للجهاز.

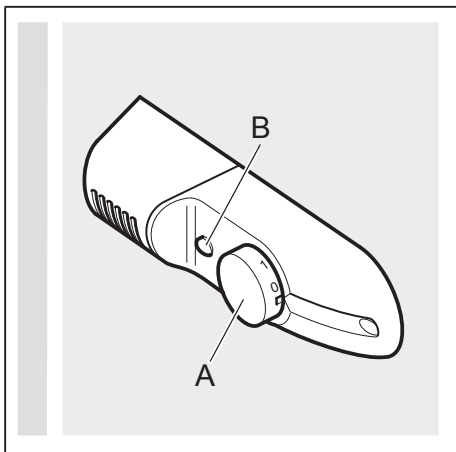


## ar فهرس المحتويات

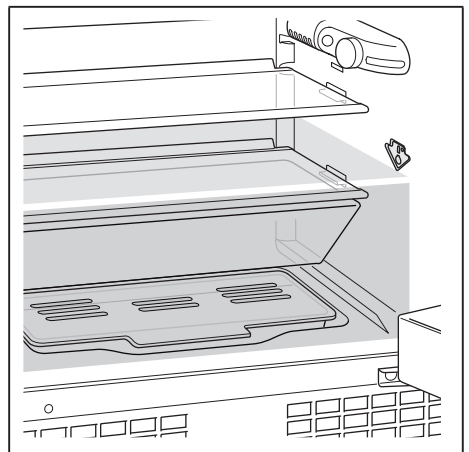
9	تجميد وحفظ المواد الغذائية .....	3	إرشادات وتحذيرات خاصة بالأمان .....
10	تجميد وحفظ المواد الغذائية .....	5	إرشادات التخلص من الفضلات .....
11	إذابة جليد الأطعمة المجمدة .....	5	متضمنات التوريد .....
11	التجهيزات .....	6	يرجى مراعاة درجة حرارة الوسط المحيط والتهوية .....
11	الملصق «OK» .....	6	نصب الجهاز: .....
12	إبطال عمل الجهاز وعدم استخدامه لفترة طويلة ...	7	توصيل الجهاز بالتيار الكهربائي .....
12	إذابة الثلج .....	7	تعرف على جهازك الجديد .....
13	تنظيف الجهاز .....	8	تشغيل الجهاز .....
14	توفير الطاقة الكهربائية .....	8	ضبط درجة الحرارة .....
14	الأصوات الصادرة أثناء عمل الثلاجة .....	8	الحجم المتاح للاستخدام .....
15	إزالة الأعطال البسيطة بنفسك .....	8	حيز التبريد .....
16	مراكز خدمة العملاء .....	9	حيز التجميد .....
		9	السعة القصوى للتجميد .....



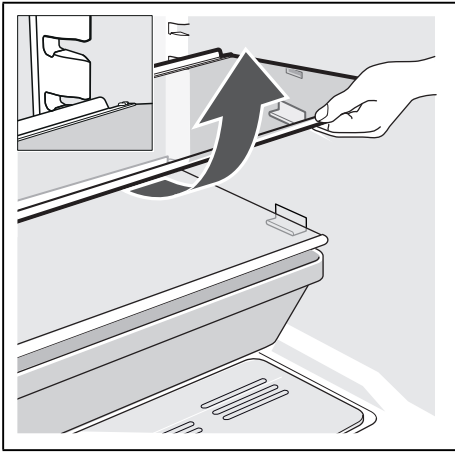
**1**



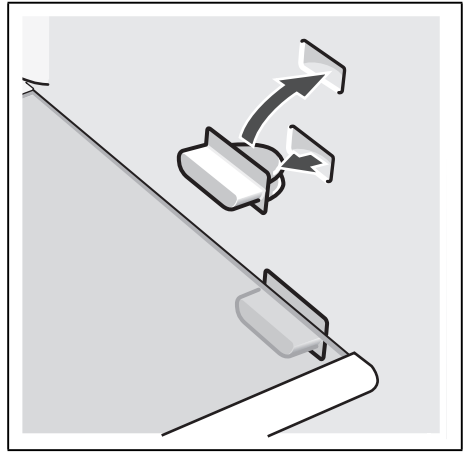
**2**



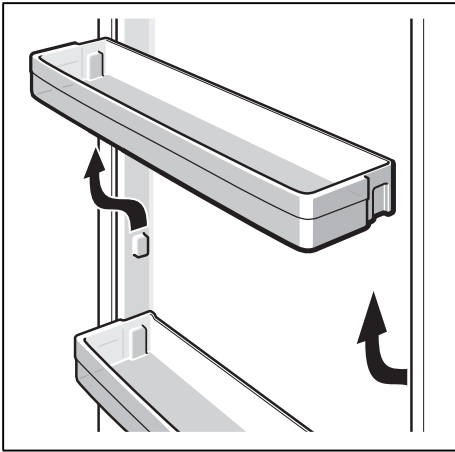
**3**



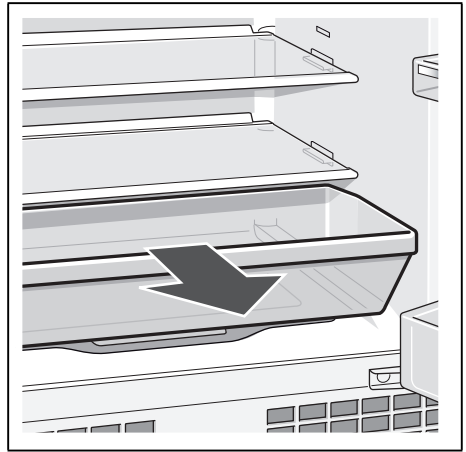
4



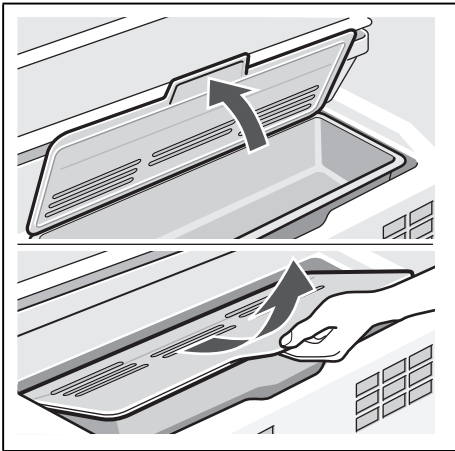
5



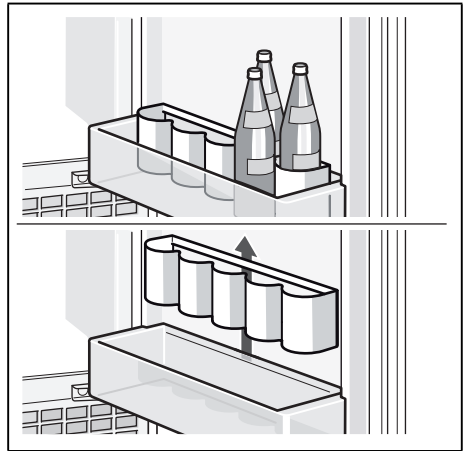
6



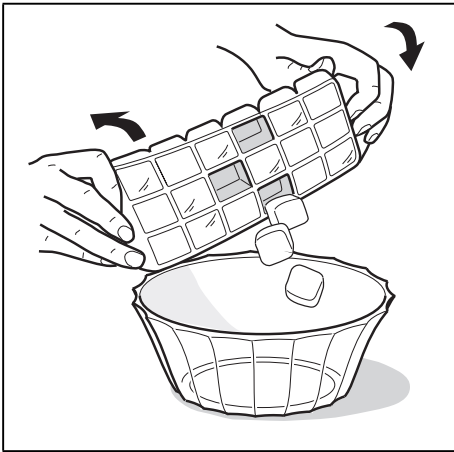
7



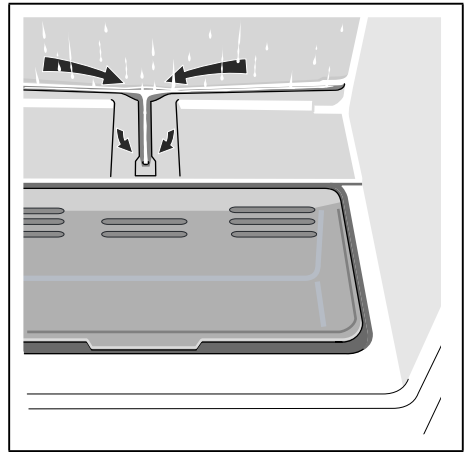
8



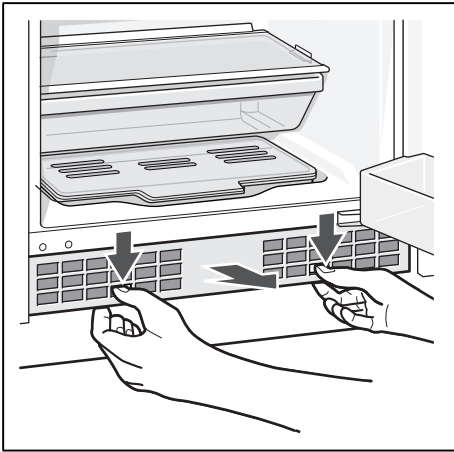
9



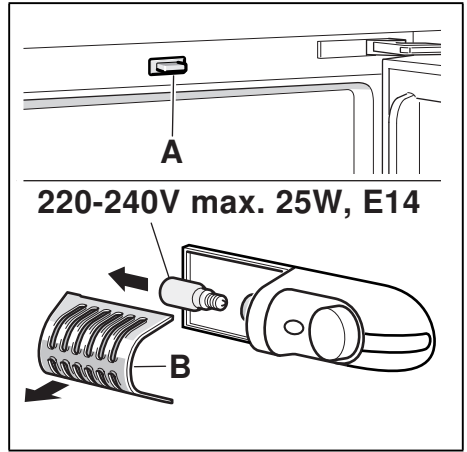
10



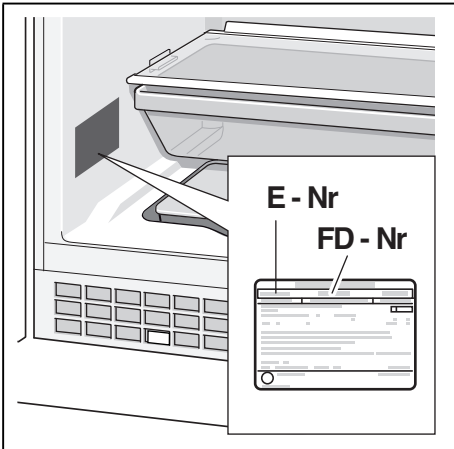
11



12



13



14

**Robert Bosch Hausgeräte GmbH**

Carl-Wery-Straße 34

81739 München, GERMANY

**[www.bosch-home.com](http://www.bosch-home.com)**

**9000944658 (9904)**  
en, fr, ar