

USE AND CARE GUIDE

THERMADOR PROFESSIONAL® RANGETOPS

GUIDE D'UTILISATION ET D'ENTRETIEN

Tables de cuisson PROFESSIONAL^{mc} de THERMADOR

MANUAL DE USO Y CUIDADO

Placas de cocción PROFESSIONAL® de THERMADOR

**Models/
Modèles/
Modelos:**

PCG304G

PCG364GD

PCG366G

PCG486GD

PCG364NL

PCG486NL

Thermador [®]
REAL INNOVATIONS FOR REAL COOKS[®]



Congratulations on your recent THERMADOR® purchase! Whether you are a dedicated chef or simply a connoisseur of the art of cooking, owning a THERMADOR kitchen is the ultimate expression of personal style, good taste and an appreciation for the complete culinary experience. Our award-winning products have been empowering culinary enthusiasts for more than eleven decades.

Before you begin using your new THERMADOR product, please take a moment to review the Use and Care Guide. You will find the answers to all of your questions as well as some very important safety information. Pay special attention to the **Important Safety Instructions** located at the beginning of the manual. Your THERMADOR product is ready and waiting to be used for your next gourmet creation!

Our products are handcrafted with the highest quality authentic materials to ensure years of reliable service. In the unlikely event that you have a service question, please have your model and serial numbers of your product available. You can find this information beneath the control panel area of the range.

We realize that you have made a considerable investment in your kitchen. Please feel free to share your THERMADOR kitchen photos and remodeling stories with us. Follow us on Twitter or post your kitchen photos on Facebook. We would love to hear from you!

THERMADOR wishes you many years of creative cooking.

Félicitations pour votre récent achat THERMADOR^{mc}! Que vous soyez un chef enthousiaste ou un simple connaisseur de l'art culinaire, le fait de posséder une cuisine THERMADOR représente l'expression ultime de votre style personnel, de votre bon goût et de votre intérêt à vivre une expérience culinaire complète. Nos produits primés permettent à des adeptes de la bonne bouffe d'atteindre de nouveaux sommets depuis plus de onze décennies.

Avant de commencer à utiliser votre nouveau produit THERMADOR, veuillez prendre un moment pour examiner ce guide d'utilisation et d'entretien. Vous trouverez des réponses à toutes vos questions ainsi que quelques renseignements essentiels en matière de sécurité. Portez une attention particulière aux **Instructions de sécurité importantes** se trouvant au début du guide. Votre produit THERMADOR est prêt et n'attend plus que vous l'utilisiez pour votre prochaine création gastronomique!

Nos produits sont fabriqués à la main avec des matériaux authentiques de haute qualité afin d'assurer des années de service fiable. Dans l'éventualité improbable où vous auriez une question relativement à l'entretien, veuillez avoir à la portée de la main le numéro de série et de modèle de votre produit. Ces renseignements se trouvent sous le rebord du bâti de la table de cuisson.

Nous savons bien que vous avez investi une somme considérable dans votre cuisine. N'hésitez pas à partager avec nous les photos de votre cuisine THERMADOR et les anecdotes relatives au remodelage de votre cuisine. Suivez-nous sur Twitter ou affichez des photos de votre cuisine sur Facebook. Nous serions ravis d'avoir de vos nouvelles!

THERMADOR vous souhaite de nombreuses années de gastronomie créative.

Thermador [®]
REAL INNOVATIONS FOR REAL COOKS[®]

¡Enhorabuena por la reciente compra de su THERMADOR®! Que Usted sea un gran jefe de cocina o un simple aficionado del arte culinario, el hecho de poseer una cocina THERMADOR es la última expresión de su estilo personal, de su buen gusto y de su apreciación de una experiencia culinaria completa. Nuestros premiados productos permiten al entusiasta de la cocina explorar este mundo desde hace más de once décadas.

Antes de comenzar a utilizar su nuevo producto THERMADOR, tómese un momento para echar un vistazo a este manual de uso y mantenimiento. Encontrará respuestas a todas sus preguntas además de informaciones esenciales en materia de seguridad. Ponga especial atención a las **Instrucciones de seguridad importantes**, situadas al principio del manual. ¡Su producto THERMADOR está listo y solo espera a que Usted lo use para su próxima creación gastronómica!

Nuestros productos se fabrican a mano con materiales auténticos de alta calidad a fin de garantizar años de servicio fiable. En el caso improbable en que Usted tenga una pregunta relativa al mantenimiento, tenga a mano el número de serie y el modelo de su producto. Puede encontrar esta información en la parte inferior del armazón de la placa de cocción.

Nos damos cuenta de que Usted invirtió una suma considerable en su cocina. No dude en compartir con nosotros las fotos de su cocina THERMADOR y anécdotas acerca de la reforma de su cocina. Síguenos en Twitter o publique fotos de su cocina en Facebook. ¡Estaremos encantados de tener noticias tuyas!

¡THERMADOR le desea varios años de gastronomía creativa!

Thermador  [®]
REAL INNOVATIONS FOR REAL COOKS [®]

Table of Contents

Safety	1
Important Safety Instructions.	1
Before You Begin	6
Description	7
Control Panel Identification	7
Rangetop Identification	7
Using the Rangetop	8
Surface Burners	8
Cookware Recommendations	12
Specialty Cookware.	13
Surface Burner Cooking Recommendations	14
Using the Electric Griddle	16
Using the Electric Grill	18
Care	21
Cleaning Recommendations	21
Before Calling Service	25
Data Rating Label	25
Service Information	25
Troubleshooting	26
Statement of Limited Product Warranty	27
THERMADOR Customer Support, Accessories & Parts	back page

This THERMADOR® appliance is made
by BSH Home Appliances Corporation
1901 Main Street, Suite 600
Irvine, CA 92614

Questions?

1-800-735-4328

www.thermador.com

We look forward to hearing from you!

Safety



IMPORTANT SAFETY INSTRUCTIONS READ AND SAVE THESE INSTRUCTIONS

PLEASE READ CAREFULLY

WARNING!



If the information in this manual is not followed exactly, a fire or explosion may result causing property damage, personal injury or death.

- Do not store or use gasoline or other flammable vapors and liquids in the vicinity of this or any other appliance.
- WHAT TO DO IF YOU SMELL GAS
 - Do not try to light any appliance.
 - Do not touch any electrical switch.
 - Do not use any phone in your building.
 - Immediately call your gas supplier from a neighbor's phone. Follow the gas supplier's instructions.
 - If you cannot reach your gas supplier, call the fire department.
- Installation and service must be performed by a qualified installer, service agency or the gas supplier.

WARNING!

Improper installation, adjustment, alteration, service or maintenance can cause injury or property damage. Refer to this manual. For assistance or additional information consult a qualified installer, service agency, manufacturer (dealer) or the gas supplier.

For Massachusetts Installations:

1. Installation must be performed by a qualified or licensed contractor, plumber or gas fitter qualified or licensed by the state, province or region where this appliance is being installed.
2. Shut-off valve must be a "T" handle gas cock.
3. Flexible gas connector must not be longer than 36" (914mm).

Gas Type Verification

Rangetops are shipped by the factory to operate on natural gas. Verify the type of gas supplied to the location. Ensure that the appliance is connected to the type of gas for which it is certified. All models are certified for use with natural gas. Field conversion of the appliance for use with propane gas supply will require a conversion kit (PALPKITHC). Field conversion must be done by qualified service personnel only.

CAUTION!

When connecting the unit to propane gas, make certain the propane gas tank is equipped with its own high-pressure regulator in addition to the pressure regulator supplied with the rangetop. **The maximum gas pressure to this appliance must not exceed 14.0" water column (34.9 mb) from the propane gas tank to the pressure regulator.**

IMPORTANT:

When installing against a combustible surface, a Low Backguard is required. A THERMADOR Low Backguard must be purchased separately. See the *Installation Manual* for backguard and installation information.

When using the Flush Island Trim, THERMADOR recommends a minimum 12" (305 mm) rear clearance to a combustible surface (see the *Installation Manual* for clearance requirements). Clearances from non-combustible materials are not part of the ANSI Z21.1 scope and are not certified by CSA. Clearances of less than 12" (305 mm) must be approved by the local codes and/or by the local authority having jurisdiction.

Before using the rangetop, ensure that it is equipped with a proper backguard. Refer to the *Installation Manual* accompanying this appliance for more information.

WARNING!

To avoid possible burn or fire hazard, a back guard designed specifically for this rangetop must be installed whenever the rangetop is used.



IMPORTANT SAFETY INSTRUCTIONS

READ AND SAVE THESE INSTRUCTIONS

Electrical Requirements

WARNING!

IN CASE OF AN ELECTRICAL FAILURE

If for any reason a gas control knob is turned ON and there is no electrical power to operate the electronic igniters on the rangetop STAR[®] burners, **turn OFF the gas control knob and wait 5 minutes** for the gas to dissipate before lighting the STAR burner manually.

To light the STAR burners manually, carefully hold a lighted match to the STAR burner ports and turn the gas control knob to HI. During a power failure, you can use the standard rangetop STAR burners, but each must be lit with a match.

DO NOT attempt to light the two left XLO[®] STAR burners manually. These STAR burners are equipped with the ExtraLow[®] feature and cannot be lit manually.

It is the personal responsibility and obligation of you, the user, to have this appliance connected to the electrical power supply by a qualified electrician, in accordance with the National Electrical Code and/or applicable local codes and ordinances.

All rangetop models require an electrical circuit rated at 120 volts, 60 Hz., 10 Amps, except models with electric griddle or grill require 15 Amp circuits.

CAUTION!

FOR PERSONAL SAFETY, THIS APPLIANCE MUST BE CONNECTED TO A PROPERLY GROUNDED AND POLARIZED ELECTRICAL POWER SUPPLY.

Always disconnect the electrical plug from the wall receptacle before servicing this unit.

See the *Installation Manual* for electrical requirements and grounding instructions.

Have the installer show you where the electric circuit breaker and the gas supply shut off valve are located so you know how and where to turn off the gas and electricity to the rangetop.

Safety Codes and Standards

This appliance complies with the following Standards:

- UL 858, The Standard for the Safety of Household Electric Ranges
- ANSI Z21.1, The American National Standard for Household Cooking Gas Appliances
- CAN 1-1.1-M81, Domestic Gas Ranges
- CSA C22.2 No. 61, Household Cooking Ranges

Check your local building codes for the proper method of installation. In the absence of local codes, this unit should be installed in accordance with the National Fuel Gas Code No. Z223.1 current issue and the National Electrical Code ANSI/NFPA No. 70 current issue or the Can - B149 Installation Codes for Gas Burning Appliances and C22.1 Canadian Electrical Code Part 1.

It is the responsibility of the owner and the installer to determine if additional requirements and/or standards apply to specific installations.

When properly cared for, your new THERMADOR PROFESSIONAL[®] rangetop has been designed to be a safe, reliable appliance. However, use extreme care when using this restaurant caliber rangetop as this type of appliance provides intense heat. When using kitchen appliances, basic safety precautions must be followed, including the following:

Read this *Use and Care Guide* carefully before using your new rangetop to reduce the risk of fire, electrical shock, or injury to persons.

Ensure proper installation and servicing. Follow the *Installation Manual* provided with this product. Have the rangetop installed and electrically grounded by a qualified technician.

In the event a STAR[®] burner goes out and gas escapes, open a window or a door. **DO NOT** attempt to use the rangetop until the gas has had time to dissipate. Wait at least 5 minutes before using the rangetop.

DO NOT repair or replace any part of the appliance unless specifically recommended in this manual. All servicing should be referred to a qualified technician.



IMPORTANT SAFETY INSTRUCTIONS

READ AND SAVE THESE INSTRUCTIONS

Child Safety

When children become old enough to use the appliance, it is the legal responsibility of the parents or legal guardians to ensure that they are instructed in safe operation of the appliance by qualified persons.

WARNING!

DO NOT store items of interest to children above or at the back of the rangetop. If children should climb onto the appliance to reach these items, they could be seriously injured.

DO NOT allow anyone to climb, stand, lean, sit, or hang on any part of an appliance. This can damage the appliance, and the unit may tip over, potentially causing severe injury.

DO NOT allow children to use this appliance unless closely supervised by an adult.

Children and pets should not be left alone or unattended in the area where the appliance is in use. They should never be allowed to play in its vicinity, whether or not the appliance is in use.

NEVER use any part of the rangetop for storage. Flammable materials can catch fire and plastic items may melt or ignite. **DO NOT** hang articles from any part of the appliance. Some fabrics are quite flammable and may catch on fire.

WARNING!

TO REDUCE THE RISK OF INJURY TO PERSONS, IN THE EVENT OF A GREASE FIRE, OBSERVE THE FOLLOWING:

- Smother flames with a close-fitting lid, cookie sheet, or other metal tray, then turn off the gas burner or the electric element. Be careful to prevent burns. If the flames do not go out immediately, evacuate and call the fire department.
- Never pick up a flaming pan — You may be burned.
- **DO NOT USE WATER**, including wet dish cloths or towels — a violent steam explosion will result.
- Use an extinguisher only if:
 - You know you have a class ABC extinguisher and you already know how to operate it.
 - The fire is small and contained in the area where it started.
 - The fire department is being called.
 - You can fight the fire with your back to an exit.

If the rangetop is near a window, be certain the curtains do not blow over or near the rangetop burners; they could catch on fire.

WARNING!

TO REDUCE THE RISK OF A GREASE FIRE:

- Never leave surface units unattended at high settings. Boilovers cause smoking and greasy spillovers that may ignite. Heat oils slowly on low or medium settings.
- Always turn hood ON when cooking at high heat or when flambéing food (i.e. Crepes Suzette, Cherries Jubilee, Peppercorn Beef Flambé).
- Clean hood filters frequently. Grease should not be allowed to accumulate on fan or filter.
- Use proper pan size. Always use cookware appropriate for the size of the rangetop burner.

ALWAYS have a working smoke detector near the kitchen.

In the event that personal clothing or hair catches fire, drop and roll immediately to extinguish flames.

Have an appropriate fire extinguisher available nearby, highly visible, and easily accessible near the cooking appliance.

Smother flames from food fires, other than grease fires, with baking soda. Never use water on cooking fires.

Whenever possible, do not operate the ventilation system during a rangetop fire. However, **DO NOT** reach through fire to turn it off.

NEVER let clothing, potholders, or other flammable materials come in contact with or too close to any burner or burner grate until it has cooled. Fabric may ignite and result in personal injury.

Use only dry potholders: moist or damp potholders on hot surfaces may cause burns from steam. **DO NOT** use a towel or other bulky cloth in place of potholders. **DO NOT** let potholders touch hot burners or burner grates.

For personal safety, wear proper apparel. Loose fitting garments or hanging sleeves should never be worn while using this appliance. Some synthetic fabrics are highly flammable and should not be worn while cooking.



IMPORTANT SAFETY INSTRUCTIONS

READ AND SAVE THESE INSTRUCTIONS

DO NOT use aluminum foil to line any part of the rangetop. Use of a foil liner could result in a shock or fire hazard, or the obstruction of the flow of combustion and ventilation air. Foil is an excellent heat insulator and heat will be trapped beneath it. This will upset the cooking performance and can damage the finish of the rangetop.

WARNING!

The appliance is for cooking. Based on safety considerations, never use the rangetop to warm or heat a room. Doing so may result in carbon monoxide poisoning and overheating of the unit. Also, such use can damage the rangetop parts.

When using the rangetop: **DO NOT TOUCH THE BURNER GRATES OR THE IMMEDIATE SURROUNDING AREA.** Areas adjacent to the burners may become hot enough to cause burns.

Never leave the rangetop unattended when using high flame settings. Boil overs cause smoking and greasy spillovers that may ignite. Also, if the burner flames and igniter are smothered with spillage, unburned gas will escape into the room. See *page 1* regarding gas leaks.

Only certain types of glass, heatproof glass-ceramic, ceramic, earthenware, or other glazed cookware are suitable for cooking on the rangetop burners. This type of cookware may break with sudden temperature changes. Use only on low or medium heat settings according to the utensil manufacturer's directions.

DO NOT heat or warm unopened food containers. Build-up of pressure may cause the container to burst and cause injury.

During cooking, set the burner control so that the flame heats only the bottom of the pan and does not extend beyond the bottom of the pan.

Use caution to ensure that drafts like those from forced air vents or fans do not blow flammable material toward the flames or push the flames so that they extend beyond the edges of the pot.

Always use pots and pans that have flat bottoms large enough to cover the burner. The use of undersized pots and pans could expose a portion of the flame and may result in ignition of clothing.

To minimize the risk of burns, ignition of flammable materials and unintentional spillage, position handles of pots and pans inward so they do not extend over adjacent work areas, cooking areas, or the edge of the rangetop.

WARNING!

Avoid using high flame setting with a pan larger than the grate or with one that spans more than one burner, such as a griddle, for prolonged periods of time. This can result in poor combustion that generates harmful by-products.

DO NOT use pots or pans on the grill plate accessory (purchased separately). Bakeware, such as large casserole pans, cookie sheets, etc., should never be used on the rangetop.

DO NOT use flammable cleaners to clean the rangetop.

Hold the handle of the pan to prevent movement when stirring or turning food.

Remove the optional cutting board or griddle cover accessory, which is stored on top of the griddle plate, before operating the griddle or any adjacent burners.

GREASE IS FLAMMABLE. Let hot grease cool before attempting to handle it. Avoid letting grease deposits collect. Clean after each use.

For proper lighting and performance of the burners, keep the igniter ports clean. It is necessary to clean the ports when there is a boil over or when the burner does not light even though the electronic igniters activate. Clean the rangetop with caution. Avoid steam burns; **DO NOT** use a wet sponge or cloth to clean the rangetop while it is hot. Some cleaners produce noxious fumes if applied to a hot surface. Follow directions provided by the cleaner manufacturer.

WARNING!

After a spill or boil over, turn off the burner and using caution due to possible hot surfaces, clean around the burner and burner ports. After cleaning, check for proper operation.

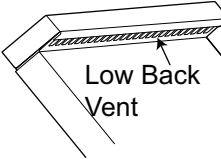


IMPORTANT SAFETY INSTRUCTIONS

READ AND SAVE THESE INSTRUCTIONS

Be sure all rangetop controls are turned off and the rangetop is cool before using any type of aerosol cleaner on or around the rangetop. The chemical that produces the spraying action could, in the presence of heat, ignite or cause metal parts to corrode.

DO NOT obstruct the flow of combustion or ventilation air.

WARNING!	
	<p>DO NOT block or obstruct the flow of air through the ventilation openings. The vent is located at the back of the appliance. The vent needs to be unobstructed and open to provide necessary airflow that is important for proper performance.</p> <p>DO NOT touch vent area while the appliance is on and for several minutes after the appliance is off. Some parts of the vent and surrounding areas become hot enough to cause burns. Allow appliance sufficient time to cool before touching or cleaning vent areas.</p> <p>DO NOT position plastic or other heat-sensitive items on or near the vent. These items could melt or ignite.</p>

Service should only be done by authorized technicians. Technicians must disconnect the power supply before servicing this unit.

DO NOT use the grill plate accessory for cooking excessively fatty meats or products which promote flare-ups.

When cooking fatty or oily foods on burners, the grill, or the griddle, adjacent gas burners can ignite airborne fumes. Use caution to avoid burns.

To avoid a fire hazard, grease accumulation must be prevented by frequently cleaning the ventilation hood and filters.

In case of fire or when intentionally “flaming” liquor or other spirits on the rangetop, follow manufacturer’s instructions. Use caution when cooking foods with high alcohol content (e.g. rum, brandy, bourbon). Alcohol evaporates at high temperatures. There is a risk of burning as the alcohol vapors may catch fire. Use only small quantities of alcohol in foods.

DO NOT store or use corrosive chemicals, vapors, flammables, or nonfood products in or near this appliance. It is specifically designed for use when heating or cooking food. The use of corrosive chemicals while heating or cleaning will damage the appliance and could result in injury.

WARNING!

This appliance should not be installed with a ventilation system that directs air in a downward direction toward the range. This type of ventilation system may cause ignition and combustion problems with the appliance resulting in personal injury, property damage, or unintended operation. Ventilating systems that direct the air upwards do not have any restriction.

WARNING!

State of California Proposition 65 Warnings:

This product contains chemicals known to the State of California to cause cancer, birth defects or other reproductive harm.

Before You Begin

Before using your rangetop for the first time check that you have these items:

DESCRIPTION	30" 4-Burner	36" 4-Burner w/ Griddle	36" 4-Burner w/ Grill	36" 6-Burner	48" 6-Burner w/ Griddle	48" 6-Burner w/ Grill
STAR® Burner Caps	4	4	4	6	6	6
Burner Grates	2	2	2	3	3	3
Center Grate	1	—	—	—	—	—
Grill Grates	—	—	2	—	—	2
Ceramic Briquettes	—	—	1	—	—	1
Briquette Basket	—	—	1	—	—	1
Grill Drip Tray	—	—	1	—	—	1
Griddle	—	1	—	—	1	—
Griddle Drip Tray	—	1	—	—	1	—
Flush Island Trim*	1	1	1	1	1	1
Literature Packet	1	1	1	1	1	1

*All models are supplied with a Flush Island Trim; however, see Warning on page 4 concerning spacing behind the rangetop when using the rangetop with the Flush Island Trim.

Table 1: Rangetop Accessories and Parts



Remove all packaging materials and temporary labels from rangetop. Please, recycle the packaging material as all THERMADOR packaging is recyclable.

1. Check that you have the items listed in *Table 1*.
2. **Record the Model and Serial number on page 25.** The model and serial numbers are found on the Rating Label Plate. The Rating Label Plate is located on the front, underside of the chassis (see *Figure 19 on Page 25*). The model and serial number must be provided when calling Customer Support for assistance. Enter this information on the Product Registration Card included with this product then mail it to the indicated address.
3. **Optional Accessories:** Grill Plate (*PA12GRILLN*), 12" Cutting Board (*PA12CHPBLK*), Griddle/Grill Cover (*PA12CVRJ*), Wok Support Ring (*PWOKRINGHC*), and other accessories may be purchased separately from your THERMADOR dealer.

The THERMADOR PROFESSIONAL® rangetop occasionally has a smell or smoke when first used. These smells or smoke comes from the burning off of manufacturing residues and is typical of any new appliance regardless of manufacturer.

Please note that some pets or humans can be sensitive to the odors created during any high heat cooking whether it is a manufacturing residue burn off or food so it is recommended that those potentially affected be removed from the kitchen area.

IMPORTANT:

All knobs must be set to OFF before powering up the rangetop.

To prevent unintended operation at power up, please set all knobs to OFF.

Description

Parts Identification

Control Panel Identification

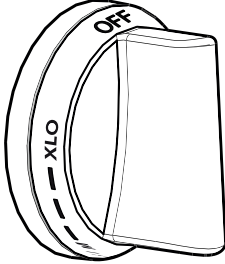
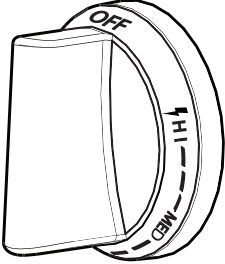
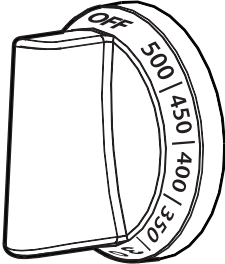
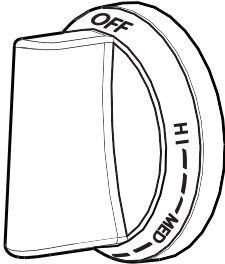
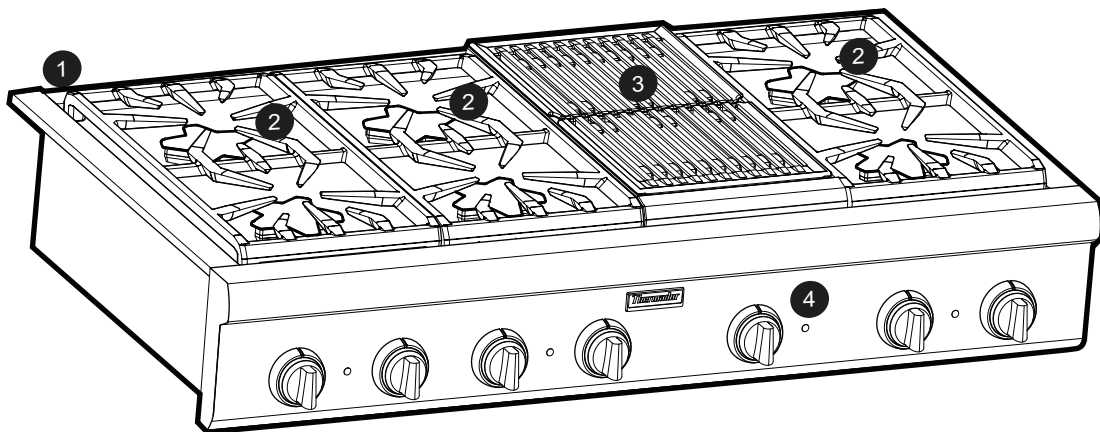
			
ExtraLow® Knob	Standard Knob	Griddle Knob	Grill Knob

Table 2: Knob Identification

Rangetop Identification (model shown is 48" with Grill option, models will vary)



1. Flush Island Trim (included) or Low Back guard (purchased separately)
2. Burner Grates & Burners
3. Grill (Griddle, on some models)
4. Control Panel

Figure 1: Rangetop Identification

Using the Rangetop

Surface Burners

Sealed STAR® Burners

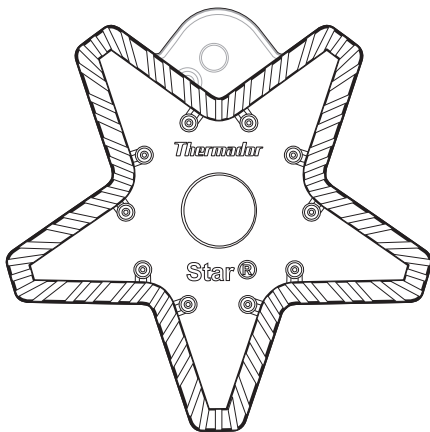


Figure 2: STAR Brass Burner Base

Each burner has a unique QuickClean® base feature which allows the burner and area around the burner to be easier to clean.

On all models, the two left burners have the exclusive ExtraLow® feature, any remaining burners are Standard. Each STAR burner has its own control knob.

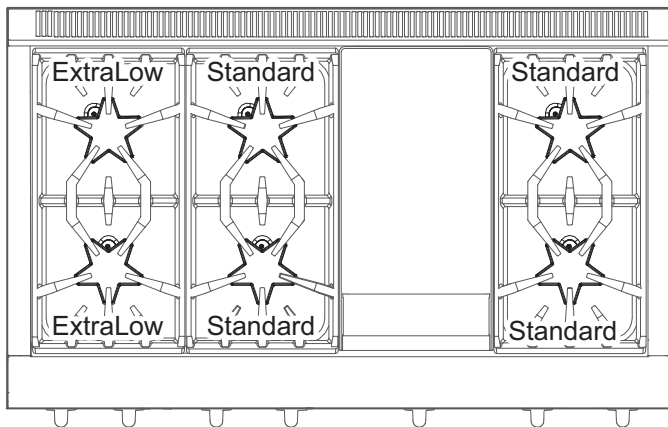


Figure 3: Burner Power Features

Control Knobs

Typically, a pair of control knobs is located on the control panel, directly in front of the pair of gas STAR burners they control — with one gas burner positioned in front of the other on the rangetop.

The symbol near each burner control knob identifies the burner position on the rangetop.

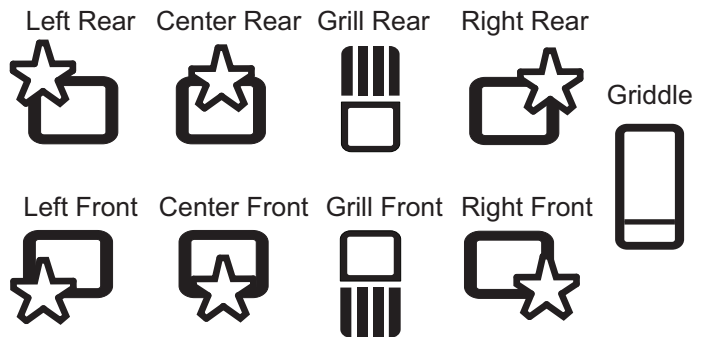


Figure 4: Rangetop Symbols

Operation of the STAR Burners

1. Press in on the knob and turn it counter-clockwise to the HI setting.
 - The igniter for the selected burner sparks to ignite the burner.
 - After flame ignition, the igniter stops sparking.
2. Rotate the knob to any flame setting between **HI** and **SIM**.
 - A blue light is positioned between the burner controls. The light turns on when the control knob is rotated to an active mode. It is off when the control knob is in the **OFF** position.

ExtraLow® STAR® Burners

The controls for the two left burners, front and rear, have flame settings even lower than the standard SIM settings.

Figure 5 shows that the control knob has an additional range between the SIM and XLO settings. When the knob is set within this range, the flame cycles off and on. By varying the length of time the flame is off and on, the heat is reduced even further to cook delicate foods. For example, these very low settings are suitable for simmering and poaching, melting chocolate and butter, holding cooked foods at temperatures without scorching or burning, etc.

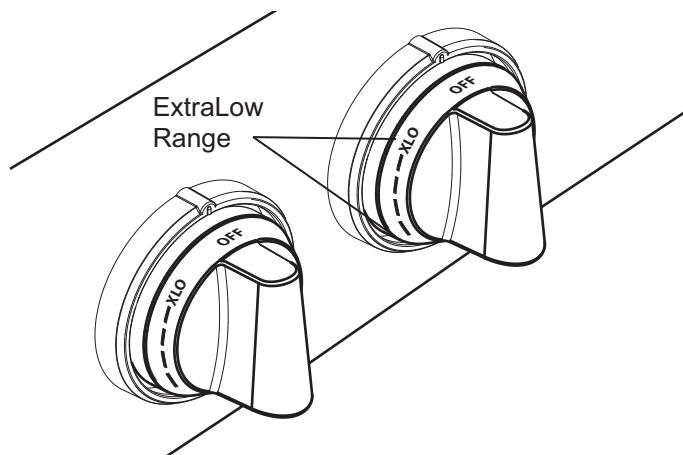


Figure 5: ExtraLow STAR Burner Control Knob

Operation of the ExtraLow® Burner

- XLO, the very lowest setting, is achieved by cycling the flame on for approximately 7 seconds and off for 53 seconds of each minute.
- When the knob is rotated just beyond the SIM setting, the flame will cycle on for approximately 54 seconds and off for 6 seconds of each minute.
- To vary the amount of low heat, the control can be set anywhere within the SIM and XLO range marked on the knob.

ExtraLow® Techniques

- The type and quantity of food affects which setting to use.
- The pan selected affects the setting. Its size, type, material, and whether a lid is used, all affect the consistency of the cooking temperature.
- To maintain a low or simmer heat, bring food to a rolling boil. Stir well, then cover the pan and lower the heat to a setting just below SIM.
- Check periodically to see if the control knob should be turned to another setting.

- If an over-size pan is used, the simmer action may occur mainly in the center of the pan. To equalize the temperature throughout the food, stir the food around the outer edges of the pan into the food in the center.
- It is normal to stir food occasionally while simmering. This is especially important when simmering for several hours, such as for a homemade spaghetti sauce or beans.
- When lowering the flame setting, adjust it in small steps.
- If the setting is too low to hold a simmer, bring the food back to a boil before re-setting to a higher heat.
- It is normal not to see simmer bubbles immediately after the food has been stirred.
- There may be bubbling when the flame cycles on and no bubbles when the flame is off. Even when the flame is off, there will be steam and a slight quiver on the liquid's surface.

IMPORTANT:

- For proper combustion, **DO NOT** use the rangetop without the burner grates in place.
- There is a slight sound associated with gas combustion and ignition. This is normal.
- On rangetops using propane (LP) gas, a slight “pop” sound may be heard from the STAR burner ports a few seconds after the burner has been turned off.

⚠ WARNING!

This product contains or, through ordinary use for its intended purpose, facilitates emission of chemicals or other substances known to the State of California to cause cancer and/or birth defects or other reproductive harm. To minimize exposure to these chemicals:

- 1) The burners should be adjusted by a certified installer or agency to ensure proper combustion.
- 2) Ensure proper ventilation with an open window or use a ventilation fan or hood when cooking with gas.
- 3) **ALWAYS** operate the unit according to the instructions in this manual.

Checking Burner Cap Placement

- Check each burner to make sure there is no gap between the burner cap and burner base. See *Figure 6* and *Figure 7* for examples of correct and incorrect placements of the burner cap.
- You may gently try to move the burner caps from side to side to check if the caps are properly placed on the burner bases. When properly placed, each burner cap will rest flat on top of its burner base, and completely cover the star-shape of the burner base when viewed from the top as shown in *Figure 6*.

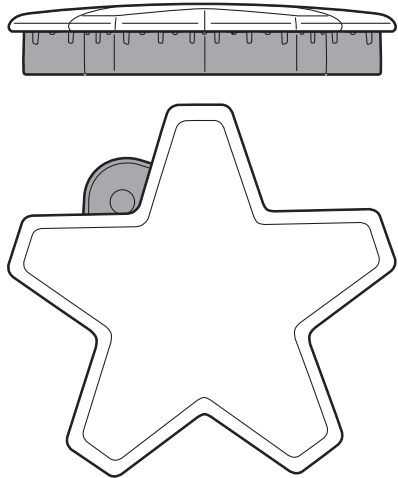


Figure 6: Correct Burner Cap Placement

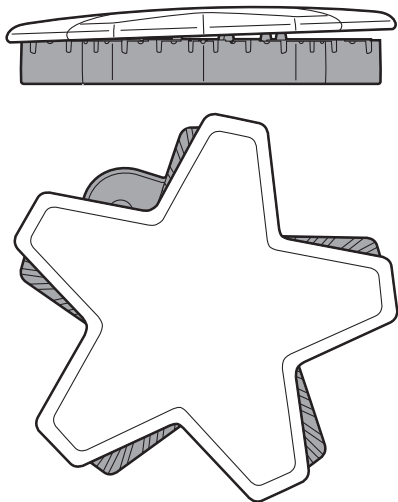


Figure 7: Incorrect Burner Cap Placement

Burner Cap Placement

The burner caps must be properly placed on the burner bases for the rangetop to function properly. If the burner cap is not properly placed, one or more of the following problems may occur:

- Burner flames are too high.
- Flames shoot out of burners.
- Burners do not ignite.
- Burner flames light unevenly.
- Burner emits gas odor.

⚠ WARNING!

To prevent burns, do not touch burner caps or grates while hot. Turn the rangetop off and allow the burners to cool.

⚠ WARNING!

To prevent flare-ups and avoid the creation of harmful by-products, do not use the rangetop without all burner caps and all burner grates properly positioned.

Electronic Single Point Ignition

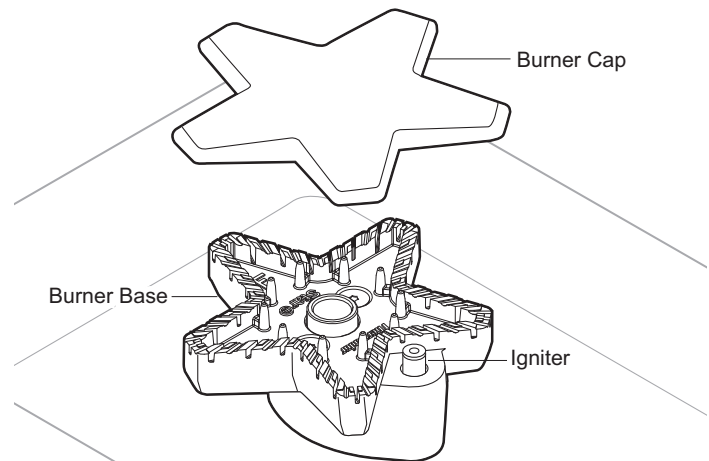


Figure 8: STAR Burner Components

Each STAR[®] burner has its own electronic igniter that sparks when the burner is turned on. Each burner should light in 4 seconds or less. If a burner does not light, check to see that the burner cap is positioned correctly on the base (see *Figure 6* and *Figure 7*).

Automatic Re-Ignition

If any one or more burners blow out, the electronic igniter automatically activates to re-light the flame. **DO NOT** touch the STAR burners when the igniters are active.

CAUTION!

DO NOT touch the STAR burners when the igniters are sparking. Ensure that the knobs are set to OFF and the burners and caps have cooled before touching.

Power Failure

- In the event of a power failure, only the Standard burners can be manually lit. It is necessary to light each one individually.
- If the rangetop is being used when the power failure occurs, turn all knobs to the OFF position.
- The standard STAR burners can be lit by holding a match at the ports and turning the control knob to the HI position. Wait until the flame is burning all around the burner cap before adjusting the flame to the desired level.
- **DO NOT** attempt to light the two left XLO[®] burners manually during a power failure. These burners are equipped with the ExtraLow[®] feature and cannot be lit manually.
- If an ExtraLow burner is on when a power failure occurs, it cannot be turned back on until the knob is first turned to the OFF position.
- The griddle or grill accessory cannot be used during a power failure.
- If you smell gas, refer to safety precautions listed on page 1.

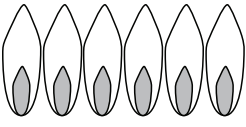
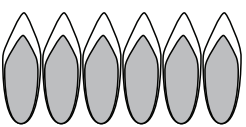
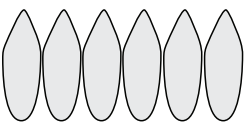
WARNING!

In the event of a power failure, turn all knobs to the OFF position. Only the standard burners can be lit manually.

Flame Height

- The correct flame height depends on 1) size and material of pan being used; 2) food being cooked; and 3) amount of liquid in the pan.
- Never extend the flame beyond the base of the pan.
- Use a low or medium flame for pan materials that conduct the heat slowly, such as porcelain coated steel or glass-ceramic.

Flame Description

Yellow Flames: Further Adjustment is required.	
Yellow Tips on Outer Cones: Normal for LP Gas	
Soft Blue Flames: Normal for Natural Gas	

If the flame is completely or mostly yellow, verify that the regulator is set for the correct fuel. After adjustment, retest.

Some orange-colored streaking is normal during the initial start-up. Allow unit to operate 4-5 minutes and re-evaluate before making adjustments.

Figure 9: Flame Characteristics

- The burner flame color should be blue with no yellow on the tips. It is common to see orange in the flame color; this indicates the burning of airborne impurities and will disappear with use.
- With propane (LP) gas, slight yellow tips on the primary cone are normal.
- The flame should burn completely around the burner cap. If it doesn't, check that the cap is positioned correctly on the base and that the ports are not blocked.
- The flame should be stable with no excessive noise or fluttering.

Cookware Recommendations

⚠ WARNING!

To avoid risk of serious injury, damage to appliance or cookware, please observe the following:

- Bakeware, such as large casserole pans, cookie sheets, etc. should never be used on the rangetop.
- Placement of large stock pots should be staggered when used on the rangetop.
- Select the base diameter to match the diameter of the flame. The diameter of the flame should be the same size as the pan base or slightly smaller. Oversize or undersize pans sacrifice cooking performance. A 5½" (140 mm) base size is generally the smallest recommended.

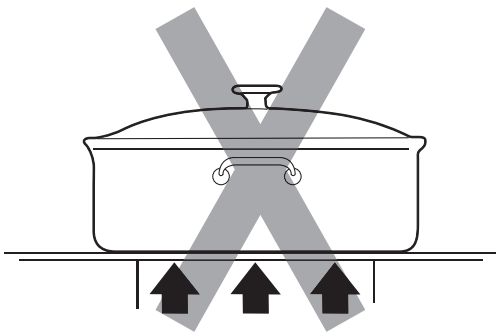


Figure 10: Base Diameter

- Avoid using high flame setting with a pan larger than the grate or with one that spans more than one burner, such as a griddle, for prolonged periods of time. This can result in poor combustion that generates harmful by-products.
- Balance is important for stability and even cooking. The handle must not be heavier than the pan and tilt it unevenly. A pan must sit level on the grate without rocking or wobbling.



Figure 11: Balanced Pan

- Food packaged in aluminum foil should not be placed directly on the burner grate. Aluminum foil can melt during cooking.

- Do not let plastic, paper or cloth come in contact with a hot burner grate. They may melt or catch fire.
- Never let a pan boil dry. This can damage your pan and the cooking surface.
- Professional quality pans with metal handles are recommended because plastic handles can melt or blister if the flame extends up the side of the pan. Professional quality pans are found at restaurant supply stores and gourmet specialty shops. All cookware should have these characteristics: good heat conductivity, good balance, correctly sized base diameter, a heavy, flat base, and a proper fitting lid.
- For best cooking results, the flame should be contained under the bottom of the pan.

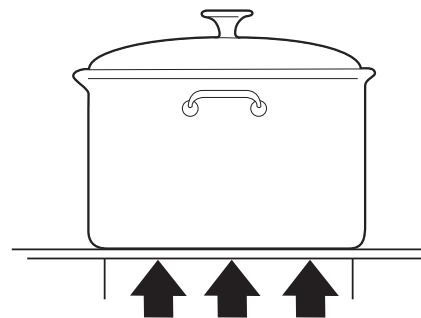


Figure 12: Flat Base Pan

- Aluminum and copper are pan materials that conduct the heat quickly and evenly. These metals are sometimes attached to the base or in the core between stainless steel.
- A heavy, flat base is more apt to remain flat when heated. Pan bases that are warped, dented, ridged or too lightweight will heat unevenly. Heat and cool pans gradually to avoid sudden temperature changes which tend to distort cookware. Do not add cold water to a hot pan.
- A properly fitting lid will shorten cooking time and make it possible to use lower heat settings.

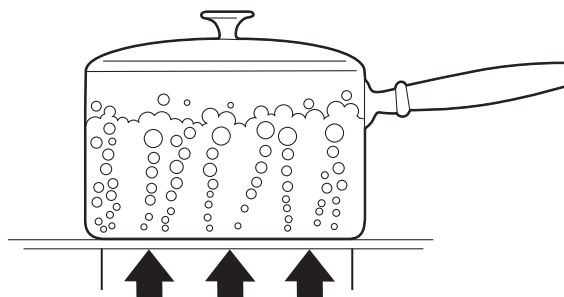


Figure 13: Covered Pan

Specialty Cookware

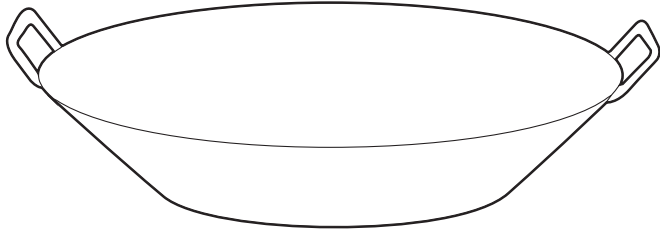


Figure 14: Flat-bottom Wok Pan

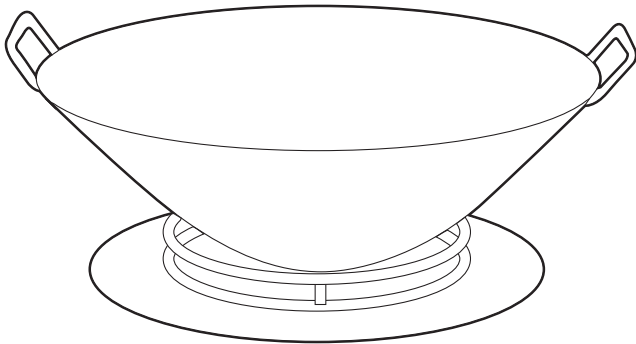


Figure 15: Round-Bottom Wok in Support Ring

Woks — Either flat-based or round-bottom woks with the accessory ring can be used on all models. Round bottom woks must be used with a support ring. The Wok pan and the porcelain-coated cast iron wok support ring must be purchased separately (*PWOKRINGHC*).

Canners and Stock Pots — Select one with a base diameter that extends no more than 2" (51 mm) beyond the grate.

Standard Size Water Bath Canner — 21 to 22 quarts (19.95 to 20.9 liters), with an 11" to 12" base (279–305 mm) and a 9" to 11" depth (229–279 mm).

Standard Size Pressure Canner — 8 to 22 quarts (7.6 to 20.9 liters), with an 8" to 11" base (203–279 mm) and a 6½" to 12" depth (165–305mm).

Canning Tips:

- A flat base pan is preferred to one with a concave, convex or rippled base.
- When using two canners at the same time, use staggered burners. Do not block air to the burners. A flame needs the right amount of air for complete combustion.
- Use a cover on a canner when bringing the contents to a boil.
- Once the contents have reached a boil on HI, use the lowest flame possible to maintain the boil or pressure.
- Canning produces a large amount of steam. Take precautions to prevent burns.

Suggestions for Using the Surface Burner Cooking Recommendations

Use the chart starting on *page 14* as a guide. The settings you use will vary depending on the pans selected and the starting temperature of the food.

On the chart, the "Finish Setting" has been separated for the Standard and ExtraLow® STAR® burners. There may or may not be a change between the two burner settings.

The ExtraLow setting can be either a cooking or a holding setting.

Raise or lower the flame setting gradually. Allow time for the pan and the food to adjust to the new setting.

Surface Burner Cooking Recommendations

FOOD	START SETTING	FINISH SETTING STANDARD STAR® BURNERS	FINISH SETTING EXTRALOW® (XLO®) STAR® BURNERS
BEVERAGES Cocoa	MED – heat milk, cover	SIM – finish heating	XLO – keep warm, cover*
BREADS French Toast, Pancakes, Grilled Sandwiches	MED – preheat skillet	SIM to MED – cook	Same as for Standard STAR Burners
BUTTER Melting	SIM – to start melting		Allow 5 – 10 minutes to melt
CEREALS Cornmeal, Grits, Oatmeal	HI – cover, bring water to a boil, add cereal	SIM to MED – finish cooking according to package directions	Same as for Standard STAR Burners XLO – to hold, cover*
CHOCOLATE Melting	XLO – may be stirred to hasten melting		XLO – allow 10 – 15 minutes to melt XLO – to hold*
DESSERTS Candy	SIM to MED – cook following recipe	SIM to MED	Same as for Standard STAR Burners
Pudding and Pie Filling Mix	SIM to MED SIM – cook according to package directions	SIM	Same as for Standard STAR Burners
Pudding	SIM to MED SIM – bring milk to a boil	SIM	Same as for Standard STAR Burners
EGGS Cooked in Shell	MED HI – cover eggs with water, add lid, bring to boil		XLO – cook 3 – 4 minutes for soft cooked; or 15 – 20 minutes for hard cooked
Fried, Scrambled	SIM to MED – melt butter, add eggs	SIM finish cooking	Same as for Standard STAR Burners XLO – to hold for a short period*
Poached	HI – bring water to the boiling point, add eggs	SIM to MED – finish heating	Same as for Standard STAR Burners
MEAT, FISH, POULTRY Bacon, Sausage Patties	MED HI – until meat starts to sizzle	SIM to MED – finish cooking	Same as for Standard STAR Burners
Braising: Swiss Steak, Pot Roast, Stew Meat	MED HI – melt fat, then brown on MED HI , add liquid, cover		XLO – Simmer until tender
Quick Frying: Breakfast Steaks	MED HI – preheat skillet	MED HI – fry quickly	Same as for Standard STAR Burners
Frying: Chicken	MED HI – heat oil, then brown on MED	SIM – cover, finish cooking	Same as for Standard STAR Burners
Deep Frying: Shrimp	MED HI – heat oil	MED to MED HI – to maintain temperature	Same as for Standard STAR Burners

* These foods should be stirred occasionally.

FOOD	START SETTING	FINISH SETTING STANDARD STAR® BURNERS	FINISH SETTING EXTRALOW® (XLO®) STAR® BURNERS
Pan Frying: Lamb Chops, Thin Steaks, Hamburgers, Link Sausage	MED HI – preheat skillet	MED – brown meat	Same as for Standard Burners XLO – to hold
Poaching: Chicken, whole or pieces, Fish	MED HI – Cover, bring liquids to a boil		To finish cooking
Simmering: Stewed Chicken, Corned Beef, Tongue, etc.	HI – cover, bring liquid to a boil		XLO – to simmer slowly XLO – to hold, cover
PASTAS Macaroni, Noodles, Spaghetti	HI – bring water to a boil, add pasta	MED HI to HI – to maintain a rolling boil	Same as for Standard Burners
POPCORN (use a heavy, flat bottom pan)	HI – cover, heat until kernels start to pop	MED HI – finish popping	Same as for Standard Burners
PRESSURE COOKER Meat	MED HI to HI – build up pressure	SIM to MED – maintain pressure	Same as for Standard Burners
Vegetables	HI – build up pressure	SIM to MED – maintain pressure	Same as for Standard Burners
RICE	HI – cover, bring water and rice to a boil	SIM – to maintain Low Boil. Cover and cook until water is absorbed	Same as for Standard Burners XLO – to hold, cover
SAUCES Tomato Base	MED HI – cook meat/vegetables, follow recipe	SIM – to maintain simmer	XLO – simmer to thicken sauce, uncovered
White, Cream, Bernaise,	MED – melt fat, follow recipe	SIM – finish cooking	XLO – to hold, cover*
Hollandaise	XLO		XLO – to hold, lowest setting for short period, stir frequently
SOUPS, STOCK	HI – cover, bring liquid to a boil	SIM to maintain simmer	Simmer XLO – to hold, cover*
VEGETABLES Fresh	HI – cover, bring water and vegetables to a boil	SIM to MED – cook 10 minutes, or until tender	Same as for Standard Burners XLO – to hold, cover
Frozen	HI – cover, bring water and vegetables to a boil	SIM to MED – cook according to package directions	Same as for Standard Burners
Deep Frying	HI – heat oil	MED to MED HI – maintain frying temperature	Same as for Standard Burners
In Pouch	HI – bring water and pouch to a boil	SIM to MED – cook according to package directions	Same as for Standard Burners
Saute	HI – heat oil or melt butter, add vegetables	SIM to MED – cook to desired doneness	Same as for Standard Burners
Stir Fry	HI – heat oil, add vegetables	HI to MED HI – finish cooking	Same as for Standard Burners

* These foods should be stirred occasionally.

Using the Electric Griddle

(available on some models)

Description

The built-in griddle is made of restaurant-quality aluminum with a non-stick coating (PTFE/PFOA free). This produces a surface with even heat that is easy to clean.

A maple cutting board (PA12CHPBLK), stainless steel cover (PA12CVRJ), and coated-aluminum grill plate (PA12GRILLN) are available as accessories and are purchased separately. The maple cutting board and stainless steel cover are sized to fit on top of the surface when the griddle is not being used. The titanium-coated aluminum grill plate accessory is designed to replace the griddle plate. See the instructions that come with the grill plate accessory for more details.

The maple cutting board and stainless steel cover must be removed before turning the griddle on.

- The griddle is electronically controlled with temperatures marked on the knob from 150 – 500°F (66 – 260°C).
- There are no fixed settings on the knob.
- Press and turn the knob clockwise to the temperature setting.
- The griddle plate (or grill plate accessory) must always be in place when the griddle is turned on.
- The electric griddle element is rated 120 volts AC, 1,630 watts.

CAUTION!

The griddle element is hot after use. Allow sufficient time for griddle components to cool before cleaning.

WARNING!

To avoid risk of injury, **NEVER** operate griddle without the griddle plate installed. **NEVER** use griddle in a manner that is not prescribed by the Use and Care Guide.

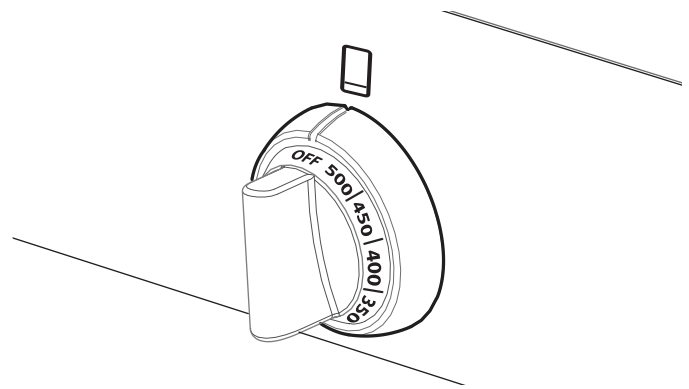


Figure 16: Griddle Control Knob

Preparing the Griddle

If the rangetop is equipped with an electric griddle, check the griddle frame adjustment by pouring two tablespoons of water on the back of the griddle plate. The water should slowly roll into the grease tray. If not, adjust the two screws under the back of the frame. Start with one half turn counterclockwise (CCW) of the screws. Further adjustment should be made by one-quarter turn until water slowly flows into the grease tray (Figure 17).

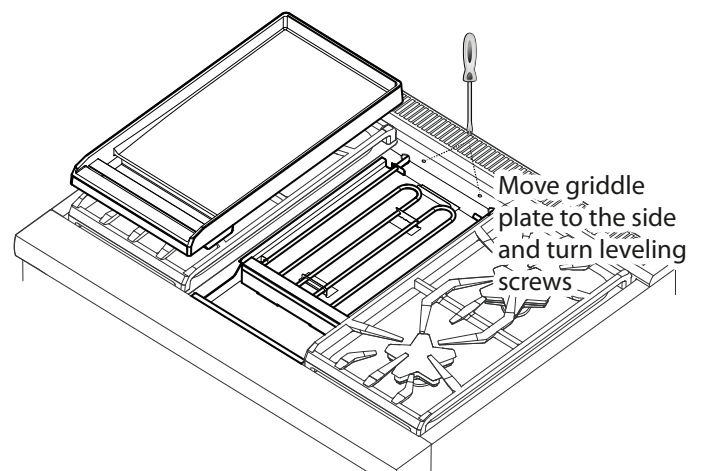


Figure 17: Griddle Plate Leveling Screws

The griddle plate should be washed with warm soapy water then rinsed with clear water prior to use. The griddle may be used without any butter, margarine or oil. However, a very small amount may be used to flavor foods.

Any utensil may be used on the griddle surface. Care should be taken that the surface is not gouged when utensils are used. **DO NOT** cut directly on the griddle plate.

NOTICE:

Griddle/Grill performance may vary if there is an excessive amount of airflow in the vicinity of the appliance. The excessive airflow could be from an air-conditioning register or ceiling fan blowing at the rangetop. This could create longer than normal heat-up time, or it could cause the Griddle/Grill temperature to be higher or lower than the knob setting.

NOTE:

Having a properly installed ventilation hood is not considered a source of excessive airflow.

Griddle Cooking Recommendations

FOOD *	SETTING
Eggs	325°F – 350°F (160°C – 180°C)
Bacon, Breakfast Sausage	450°F – 475°F (230°C – 245°C)
Toasted Sandwiches	375°F – 400°F (190°C – 200°C)
Boneless Chicken Breasts	425°F – 450°F (220°C – 230°C)
Boneless Pork Chops, 1" (25.4 mm) thick	425°F – 450°F (220°C – 230°C)
Steaks, 1" (25.4 mm) thick	450°F – 475°F (230°C – 245°C)
Ground Beef Patties, 6 ounces	450°F – 475°F (230°C – 245°C)
Ground Turkey Patties, 6 ounces	450°F – 475°F (230°C – 245°C)
Hot Dogs	350°F – 375°F (180°C – 190°C)
Ham Slices, ½" (12.7 mm) thick	350°F – 375°F (180°C – 190°C)
Pancakes, French Toast	400°F – 425°F (200°C – 220°C)
Potatoes, Hash Browns	400°F – 425°F (200°C – 220°C)

* Level foods to a uniform thickness to ensure even cooking.

Griddle Grease Tray

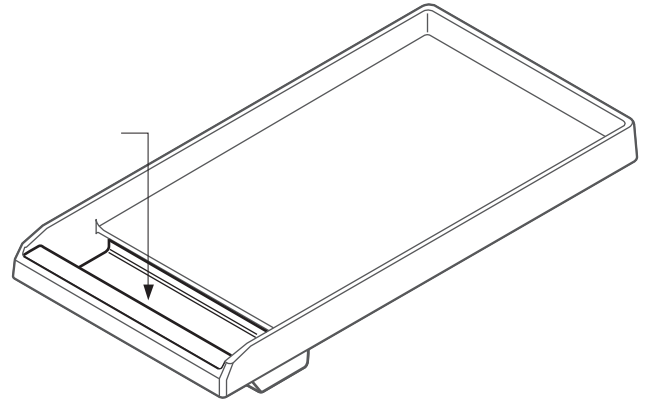


Figure 18: Grease Tray

- Clean the tray after every use. When removing the tray, use care when tipping it so that the contents do not spill.
- The griddle plate and its grease tray are dishwasher safe.
- After cooling, pour the grease into a grease-resistant container for disposal.

Cooking on the Griddle

1. Turn the knob to the appropriate cooking temperature to preheat the griddle.
2. Preheat until the griddle light goes off.
3. Add butter, margarine, oil or shortening if desired.

Using the Electric Grill

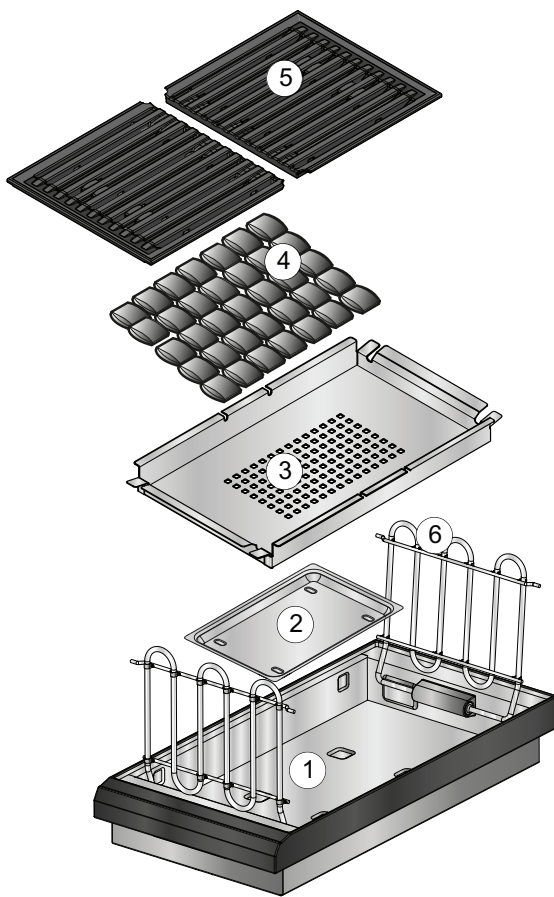
(available on some models)

Description

The built-in grill is made of restaurant-quality cast iron grates. This produces a surface with even heat that is easy to clean.

A non-stick, non-PTFE cast iron griddle plate (*PAGRIDDLEN*) is available as an accessory and may be purchased separately. See the instructions that come with the griddle plate accessory for more details.

Assembling the Grill



1. Grill Housing
2. Drip Tray
3. Briquette Basket
4. Ceramic Briquettes
5. Grill Grate (x2)
6. Heating Element (x2)

1. Rotate heating elements (6) up and remove the briquette basket (3) stored inside the grill housing (1).
2. Place the drip tray (2) in the bottom of the grill housing (1). (Drip tray is packaged in the large cardboard box that was on top of the range.) Align the embosses of the drip tray (2) with the depressions on the bottom of the grill housing (1).
3. Place the briquette basket (3) in the grill housing (1).
4. Arrange the ceramic briquettes (4) on the briquette basket (3), in a single layer, with each briquette touching the edges of the surrounding briquettes. The ceramic briquettes should not contact the heating elements.
5. Fold both grill heating elements (6) down. The grill heating elements must lie flat. Supports should rest inside of side notches.
6. Install the grill grates (5). Ensure grates are seated level inside the grill housing (1).

Grill Safety Tips

WARNING!

- To avoid risk of injury, **NEVER** operate grill without the grates or griddle plate accessory installed.
- **NEVER** leave grill unattended while cooking.
- Observe caution with oils and fats. Overheated oils and fats can easily cause fires.
- **DO NOT** use wood chips, lava rocks, or charcoal briquettes. Only use recommended ceramic briquettes (*PABRICKBKN*).
- **DO NOT** use dishes, pans, pots, or other cookware on the grill.
- **Never use aluminum foil to cover the grates or to line the grill.** It can damage the grill and cause a fire hazard if heat is trapped under it.
- Check grease tray before each use. Too much grease in the tray may cause a fire hazard.
- If flames appear, grease should be cleaned from grates, grease tray, briquette basket and other surfaces.
- Grease build up encourages flame and smoke development while cooking.
- Ceramic briquettes must be replaced when they begin to turn black. This means that they are saturated with fat and may smoke heavily during operation or the fat may catch fire.

IMPORTANT:

- If flames appear while grilling, turn off heat and remove the food. Use caution to avoid any potential injury while removing food.
- Often, such flames will extinguish themselves within a few minutes once grease drippings have burned up. Do not leave the grill unattended until all flames are extinguished. If desired, flames can be extinguished by generously shaking baking soda or salt over them to smother fire.
- If flames appear, ceramic briquettes should be replaced and grease should be cleaned from grates, grease tray, briquette basket, and other surfaces before using the grill again. Built up grease which is allowed to remain encourages flame and smoke development while cooking.
- Moist food should be dried, before placing on grill.
- The moister the food is, the more smoke may be produced!
- During grilling, dripping fat may flare up briefly.

WARNING!

TO AVOID RISK OF BURNS:

- Use proper utensils with long handles that allow the chef plenty of clearance from the heat and potential flare ups.
- **DO NOT** wear loose clothing while cooking.
- Never leave grill unattended while cooking.
- After each use, remove grease buildup from the grill surfaces and the trays below the grill to avoid risk of fire. Ventilation hoods should also be cleaned periodically as needed and as recommended by the User Manual as well as surrounding surfaces.
- Keep a fire extinguisher nearby and accessible.

Operation

1. Before turning on, make sure that there are ceramic briquettes in the appliance and both grill grates are correctly fitted. Turn on forced air ventilation.
2. Press and turn the knob to the temperature setting.
 - The grill is electronically controlled with power settings LOW through HIGH. There are no fixed settings on the knobs.
 - The two grill heating elements can be regulated separately. This allows you to grill food with different temperature requirements at the same time, or you can use one area to grill and the other to keep warm.

3. During the initial use, heat the grill for about 10 minutes to eliminate manufacturing residues and smells.
4. For best results, allow the grill grates to preheat before placing food on them.
5. The electric grill indicator light will remain on for approximately 5 minutes after the knob has been turned OFF to indicate residual heat.

CAUTION!

Clean the grill after each use. Allow the appliance to cool before cleaning.

Grilling Tips

- Always preheat the grill. When cooking on HIGH, preheat grill on HIGH for 10 minutes. When cooking on MED HIGH, preheat grill on HIGH for 5 minutes then turn temperature down once food is on the grill.
- Soak wooden skewers in water a minimum 20 minutes before placing on the grill.
- Prior to grilling, you can coat the food with heat-resistant oil (e.g. peanut oil) or marinate it. Make sure not to use too much oil/marinade, as otherwise it may catch fire and generate thick smoke.
- Lay the food directly on the grill grates. **DO NOT** use aluminum foil or grill trays.
- Cured meat, such as ham or smoked pork chops, is not suitable for grilling. Unhealthy chemical compounds may form.
- To prevent flare-ups, remove excess fat from foods prior to grilling.
- **DO NOT** use cleaners on elements. Allow grease to burn off the elements.
- To soak up fat on the griddle plate, sprinkle coarse salt onto the grilling surface after use.

Grill Cooking Recommendations

IMPORTANT:

- **GRILL SHOULD NOT BE OPERATED WITHOUT PROPER VENTILATION.**
- **Foods with excessive fat or grease should not be prepared on an indoor grill. Grilling foods with high fat content (certain types of ground beef, sausage, etc) increases the chances of smoke and flames.**

FOOD*	SETTING**	COOK TIME (MINUTES)	NOTES
Beef			
Hamburgers, ¾" (2 cm) (medium)	HIGH	12 – 14	Ready to turn once juices appear on the surface.
T-Bone Steak, 1½" (4 cm) (medium)	HIGH	20 – 22	Remove excess fat.
Ribeye or Sirloin, 1" (3 cm) (medium)	HIGH	10 – 12	Remove excess fat.
Kebabs, Steak (medium)	HIGH	24 – 28	Turn occasionally.
Pork			
Pork chops, ¾" (2 cm)	HIGH	16 – 20	Remove excess fat.
Sausages or Bratwurst	MED HIGH	16 – 20	Pierce before grilling.
Hot Dogs	HIGH	6 – 8	Place on grill horizontally.
Poultry			
Legs and thighs	MED HIGH	34 – 38	Turn occasionally, remove excess skin.
Chicken wings, whole	MED HIGH	18 – 22	Turn occasionally.
Chicken breasts, ½" (1 cm), boneless	MED HIGH	20 – 24	Pound to an even thickness before cooking.
Kebabs, chicken	HIGH	30 – 33	Turn occasionally.
Seafood			
Fish steak, 2" (6 cm)	MED HIGH	18 – 20	Brush with oil before grilling.
Fish fillet, ¾" (2 cm)	MED HIGH	16 – 20	Brush with oil before grilling.
Shrimp skewers	MED HIGH	10 – 14	Turn occasionally.
Produce			
Portobello mushrooms	HIGH	8 – 10	Brush with oil.
Bell peppers, quartered	HIGH	8 – 10	Turn occasionally.
Eggplant, sliced, ½" (1 cm)	HIGH	8 – 10	Brush lightly with oil.
Tomatoes, halves	HIGH	8 – 10	Brush with oil.
Pineapple, sliced	HIGH	4 – 6	—
Peaches, halves	HIGH	4 – 6	—
Other			
Hamburger or hot dog buns	MED HIGH	4 – 6	Brush with butter.
Tofu, extra firm, sliced	MED HIGH	8 – 12	Skewer for easier grilling.

* Level foods to a uniform thickness to ensure even cooking.

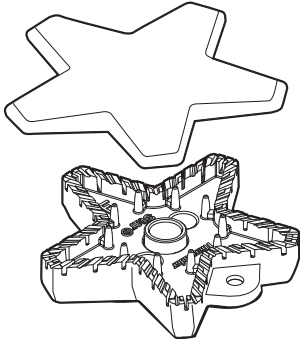
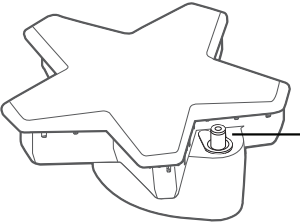
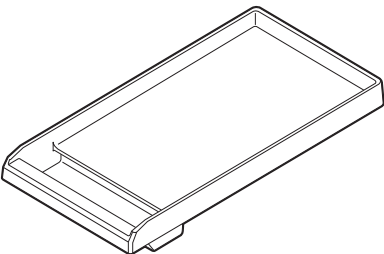
** The values in the settings table should only be regarded as guidelines, since more or less heat may be required depending on the type and condition of the food.

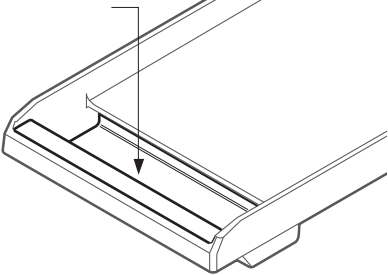
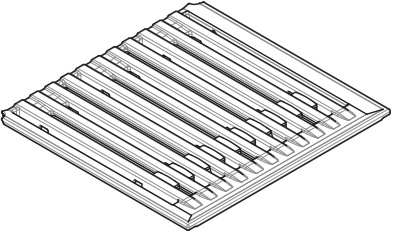
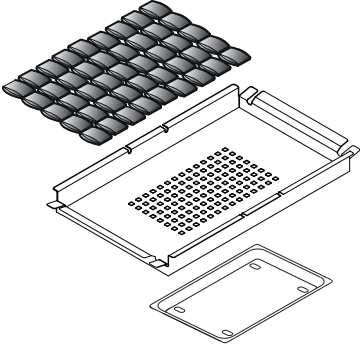
Care

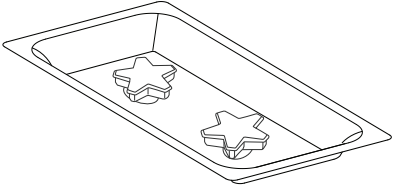
Cleaning Recommendations

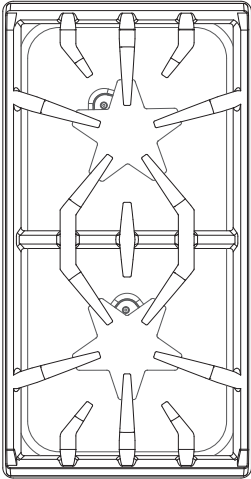
Brand Names

The use of brand names is intended only to indicate a type of cleaner. This does not constitute an endorsement. The omission of any brand name cleaner does not imply its adequacy or inadequacy. Many products are regional in distribution and can be found in local markets. It is imperative that all cleaning products be used in strict accordance with the instructions on its package. The following chart gives directions for cleaning this rangetop.

PART/MATERIAL	CLEANING NOTES
<p>Brass Burner Base and Cast Iron Cap</p> 	<ul style="list-style-type: none"> • A stiff nylon bristle tooth brush can be used to clean port openings. • After cleaning, make sure that the STAR[®] burner cap is correctly seated on the STAR burner base. • DO NOT scratch or gouge the port openings of burner cap. • Suggested cleaners; rinse and dry immediately: <ul style="list-style-type: none"> -- Hot water and detergent -- Bon-ami[®] -- Cameo[®] Aluminum and Stainless Steel Cleaner -- Wright's[®] All Purpose Brass Polish -- Kleen King[®]
<p>Igniters Ceramic</p> 	<ul style="list-style-type: none"> • DO NOT use sharp tools to scrape the igniters. The igniters are fragile. If an igniter is damaged, it may not light the burner. • Suggested cleaners: <ul style="list-style-type: none"> -- Cotton swab dampened with soapy water -- Fantastik[®]
<p>Control Knobs/ Metal Bezels/ Chrome</p>	<ul style="list-style-type: none"> • Do not soak knobs. • Do not force knobs onto wrong valve shaft. • Suggested cleaners; rinse and dry immediately: <ul style="list-style-type: none"> -- Hot water and detergent
<p>Griddle Aluminum with non-stick coating</p> 	<ul style="list-style-type: none"> • NEVER flood a hot griddle with cold water. This can warp or crack the aluminum plate. • DO NOT clean any part of the griddle in a self-cleaning oven. • Wipe griddle surface with warm soapy water then rinse with warm water. Wipe dry with a soft cloth. • If food particles stick to the griddle plate, remove with a mild abrasive cleaner such as Soft Scrub[®]. • Suggested cleaners; rinse and dry immediately: <ul style="list-style-type: none"> -- Hot water and detergent -- Dishwasher safe -- Soft Scrub[®]

PART/MATERIAL	CLEANING NOTES
<p>Griddle Grease Tray</p> 	<ul style="list-style-type: none"> Remove tray after grease has cooled. Be careful not to fill it so full that tipping to remove it spills the grease. Discard grease into a grease resistant container for disposal. Clean the grease tray after each use. Suggested cleaners; rinse and dry immediately: <ul style="list-style-type: none"> -- Hot water and detergent -- Dishwasher safe -- Soft Scrub®
<p>Grill Grates</p> <p>Porcelain Enamel on Cast Iron</p> 	<ul style="list-style-type: none"> Clean the grates after each use. Place the grill grate into a sink and pour boiling hot water over the grate. Lay a dish towel on top of the grate and pour more hot water over the towel. Allow the water to soak into the residue. Scrape away debris with a soap-filled scouring pad. Stubborn soil: Soft Scrub®. Suggested cleaners; rinse and dry immediately: <ul style="list-style-type: none"> -- Hot water and detergent -- Dishwasher safe -- Soft Scrub® -- Soft brass wire brush for stubborn residues. Hard steel wire brushes could scratch the porcelain grate coating and cause premature oxidation of the grate. Stubborn stains; rinse and dry immediately: <ul style="list-style-type: none"> -- Soap-filled steel wool pad -- Lestoil® -- Other degreaser
<p>Ceramic Briquettes, Briquette Basket, and Grill Drip Tray</p> 	<ul style="list-style-type: none"> Suggested cleaning for ceramic briquettes; <ol style="list-style-type: none"> Gently place grease-saturated ceramic briquettes in a 6 quart or larger pot. Fill the pot with clean water so that all ceramic briquettes are covered at least 1/2" deep. Bring the water to a steady boil. Once reaching a steady boil, continue to boil for 10 minutes. Remove heat and allow ceramic briquettes to cool to a safe temperature. Pour water off of ceramic briquettes and pat them dry on old towels or paper towels. Allow ceramic briquettes to air dry for at least two hours. Some visible grease stains may remain on briquettes after cleaning. Reassemble clean, dry briquettes back into the grill before using the grill again. New ceramic briquettes can be purchased from the THERMADOR eShop (order number <i>PABRICKBKN</i>). See the back cover for support information. ! Caution: Ceramic briquettes must be replaced when they begin to turn black. This means that they are saturated with fat and may smoke heavily during operation or the fat may catch fire. Suggested cleaners for basket and drip tray; rinse and dry immediately: <ul style="list-style-type: none"> -- Hot water and detergent -- Dishwasher safe

PART/MATERIAL	CLEANING NOTES
<p>Surface Spill Trays Porcelain Enamel (gloss finish)</p> 	<ul style="list-style-type: none"> • The porcelain enamel finish is acid resistant, but not acid proof. Acidic foods, such as citrus juices, tomatoes, rhubarb, vinegar, alcohol or milk, should be wiped up and not allowed to bake onto the porcelain during the next use. • If mild abrasive cleaners are used, rub lightly as these cleansers may scratch the finish. • For burned on foods, soap filled fiber or steel wool pads may be used but care must be taken as these may scratch the finish. • Suggested cleaners; rinse and dry immediately: <ul style="list-style-type: none"> -- Hot water and detergent -- Soft Scrub[®] -- Bar Keeper's Friend[®] -- Bon-ami[®] -- Comet[®] -- Ajax[®] -- Soap-filled fiber or steel wool pad
<p>Exterior Finish/Backguard Stainless Steel</p>	<ul style="list-style-type: none"> • Stainless steel resists most food stains and pit marks providing the surface is kept clean and protected. Never allow food stains or salt to remain on stainless steel for any length of time. • Rub lightly in the direction of polish lines. • Chlorine or chlorine compounds in some cleaners are corrosive to stainless steel. Check ingredients on label. • Suggested cleaners; rinse and dry immediately: <ul style="list-style-type: none"> -- Hot water and detergent -- Fantastik[®] -- Siege[®] Stainless Steel and Aluminum Cleaner -- Kleen King[®] Stainless Steel Liquid Cleaner -- Cleaner polish: Stainless Steel Magic[®] to protect the finish from staining and pitting; enhances appearance. -- THERMADOR Stainless Steel Conditioner (00576697) -- For hard water spots use household vinegar. • For heat discoloration; rinse and dry immediately: <ul style="list-style-type: none"> -- Cameo[®] -- Barkeepers Friend[®] -- Zud[®]

PART/MATERIAL	CLEANING NOTES
<p>Grates Porcelain Enamel on Cast Iron</p> 	<ul style="list-style-type: none"> • The grates are heavy; use care when lifting. Place on a protected surface. DO NOT clean grates in a self-cleaning oven. • The rough texture of the grate can sometimes remove aluminum deposits from the bottom of pans and fill in areas between the high spots on the surface of the grate. Use special care when cooking with copper and aluminum pots and pans as this type of cookware can sometimes leave metal deposits on the grates. • Blisters/ crazing/ chips are common due to the extreme temperatures on grate fingers and rapid temperature changes. • Acidic and sugar-laden spills deteriorate the enamel. Remove soil immediately. • Abrasive cleaners, used too vigorously or too often can eventually mar the enamel. • Suggested cleaners; rinse and dry immediately: <ul style="list-style-type: none"> -- Hot water and detergent -- Fantastik® -- Bon-ami® -- Soft Scrub® • Stubborn stains; rinse and dry immediately: <ul style="list-style-type: none"> -- Soap-filled steel wool pad -- Lestoil® -- Other degreaser • Metal deposits: <ul style="list-style-type: none"> -- Scotch Brite™ scrub sponge -- Course steel wool pad

Before Calling For Service

Before calling for service, check the following to avoid unnecessary service charges.

Be sure to check these items first:

- Is there a power outage in the area?
- Is the household fuse blown or the circuit breaker tripped?
- Is the rangetop disconnected from the electrical supply?

If the Burners do not Ignite:

- Are the burner caps properly aligned and seated in the burner bases?
- Are the burner ports clogged?
- Is a fuse blown or is the circuit breaker tripped?
- Is the manual shut-off valve closed, preventing the flow of gas?

Data Rating Label

The data rating plate showing the model and serial numbers of your rangetop is located on the underside of the rangetop chassis near the front. This information is required if customer service is requested. Before installation, the model and serial numbers should be entered in the appropriate spaces on this page. After installation, accessing the information is difficult.

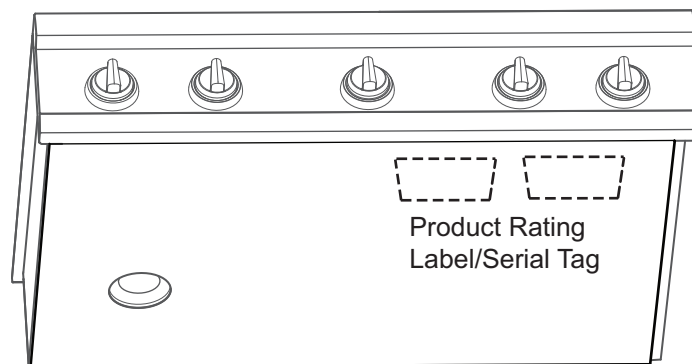


Figure 19: Rating Label Location

Service Information

For handy reference, copy the information below from the data rating plate. Keep your invoice for Warranty validation.

Model Number _____

Serial Number _____

Date of Purchase _____

Also, enter this information on the Product Registration Form included with this product.

Register your BSH product to ensure timely service and access to your product related information. You may register your product through one of the following ways:

1. Mail in the completed THERMADOR Product Registration Card.
2. Register your product online at www.thermador.com.
3. Call us at THERMADOR customer service at 1-800-735-4328.

Troubleshooting

SYMPTOM	POSSIBLE CAUSE	REMEDY
Intermittent igniter sparking	<ul style="list-style-type: none"> • Ceramic igniter is wet or dirty. • Burner ports are clogged. 	<ul style="list-style-type: none"> • Carefully dry or clean igniter. • Clean ports on burner cap with a wire, a needle or straightened paper clip.
More than four clicks of igniter before lighting	<ul style="list-style-type: none"> • Improper fit of burner cap onto burner base. 	<ul style="list-style-type: none"> • Align burner cap properly on burner base.
Constant igniter sparking	<ul style="list-style-type: none"> • Range is not properly grounded. • Electrical power supply is incorrectly polarized. 	<ul style="list-style-type: none"> • Refer to the <i>Installation Manual</i>. Have a qualified electrician ground the range properly.
Igniters sparking but no flame ignition.	<ul style="list-style-type: none"> • Gas supply valve is in "OFF" position. 	<ul style="list-style-type: none"> • Restore gas supply to the unit.
Rangetop will not operate (lights and surface burners will not come on)	<ul style="list-style-type: none"> • No power to the unit. 	<ul style="list-style-type: none"> • Check for open circuit breaker. • Check that power supply line connection is connected to the proper voltage.
Foods in oven are not cooking sufficiently.	<ul style="list-style-type: none"> • Improper cookware. • Appliance not level. 	<ul style="list-style-type: none"> • Refer to Cookware Recommendations in the <i>Use and Care Guide</i>. • Refer to the <i>Installation Manual</i> for instructions on how to level the appliance.

Statement of Limited Product Warranty

What this Warranty Covers & Who it Applies to

The limited warranty provided by BSH Home Appliances Corporation (BSH) in this Statement of Limited Product Warranty applies only to the THERMADOR® appliance sold to you, the first using purchaser, provided that the Product was purchased:

- For your normal, household (non-commercial) use, and has in fact at all times only been used for normal household purposes.
- New at retail (not a display, “as is”, or previously returned model), and not for resale, or commercial use.
- Within the United States or Canada, and has at all times remained within the country of original purchase.

The warranties stated herein apply only to the first purchaser of the Product and are not transferable.

Please make sure to return your registration card; while not necessary to effectuate warranty coverage, it is the best way for BSH to notify you in the unlikely event of a safety notice or product recall.

How Long the Warranty Lasts

Product built preceding January 1, 2012 with a number of FD911299999 or lower: BSH warrants that the Product is free from defects in materials and workmanship for a period of three hundred and sixty-five (365) days from the date of purchase. The foregoing timeline begins to run upon the date of purchase, and shall not be stalled, tolled, extended, or suspended, for any reason whatsoever.

Product built subsequent to January 1, 2012 with a number of FD920100000 or higher: BSH warrants that the Product is free from defects in materials and workmanship for a period of seven hundred and thirty (730) days from the date of purchase. The foregoing timeline begins to run upon the date of purchase, and shall not be stalled, tolled, extended, or suspended, for any reason whatsoever.

This Product is also warranted to be free from cosmetic defects in material and workmanship (such as scratches of stainless steel, paint/porcelain blemishes, chips, dents, or other damage to the finish of the Product, for a period of sixty (60) days from the date of purchase or closing date for new construction. This cosmetic warranty excludes slight color variations due to inherent differences in painted and porcelain parts, as well as differences caused by kitchen lighting, product location, or other similar factors. This cosmetic warranty specifically excludes any display, floor, "As Is", or "B" stock appliances.

Repair/Replace as Your Exclusive Remedy

During this warranty period, BSH or one of its authorized service providers will repair your Product without charge to you (subject to certain limitations stated herein) if your Product proves to have been manufactured with a defect in materials or workmanship. If reasonable attempts to repair the Product have been made without success, then BSH will replace your Product (upgraded models may be available to you, in the sole discretion of BSH, for an additional charge). All removed parts and components shall become the property of BSH at its sole option. All replaced and/or repaired parts shall assume the identity of the original part for purposes of this warranty and this warranty shall not be extended with respect to such parts. BSH's sole liability and responsibility hereunder is to repair manufacturer-defective Product only, using a BSH-authorized service provider during normal business hours. For safety and property damage concerns, BSH highly recommends that you do not attempt to repair the Product yourself, or use an un-authorized servicer; BSH will have no responsibility or liability for repairs or work performed by a non-authorized servicer. If you choose to have someone other than an authorized service provider work on your Product, THIS WARRANTY WILL AUTOMATICALLY BECOME NULL AND VOID. Authorized service providers are those persons or companies that have been specially trained on BSH products, and who possess, in BSH's opinion, a superior reputation for customer service and technical ability (note that they are independent entities and are not agents, partners, affiliates or representatives of BSH). Notwithstanding the foregoing, BSH will not incur any liability, or have responsibility, for the Product if it is located in a remote area (more than 100 miles from an authorized service provider) or is reasonably inaccessible, hazardous, threatening, or treacherous locale, surroundings, or environment; in any such event, if you request, BSH would still pay for labor and parts and ship the parts to the nearest authorized service provider, but you would still be fully liable and responsible for any travel time or other special charges by the service company, assuming they agree to make the service call.

Out of Warranty Product

BSH is under no obligation, at law or otherwise, to provide you with any concessions, including repairs, pro-rates, or Product replacement, once this warranty has expired.

Warranty Exclusions

The warranty coverage described herein excludes all defects or damage that are not the direct fault of BSH, including without limitation, one or more of the following:

- Use of the Product in anything other than its normal, customary and intended manner (including without limitation, any form of commercial use, use or storage of an indoor product outdoors, use of the Product in conjunction with air or water-going vessels).
- Any party's willful misconduct, negligence, misuse, abuse, accidents, neglect, improper operation, failure to maintain, improper or negligent installation, tampering, failure to follow operating instructions, mishandling, unauthorized service (including self-performed "fixing" or exploration of the appliance's internal workings).
- Adjustment, alteration or modification of any kind.
- A failure to comply with any applicable state, local, city, or county electrical, plumbing and/or building codes, regulations, or laws, including failure to install the product in strict conformity with local fire and building codes and regulations.
- Ordinary wear and tear, spills of food, liquid, grease accumulations, or other substances that accumulate on, in, or around the Product.
- Any external, elemental and/or environmental forces and factors, including without limitation, rain, wind, sand, floods, fires, mud slides, freezing temperatures, excessive moisture or extended exposure to humidity, lightning, power surges, structural failures surrounding the appliance, and acts of God.

In no event shall BSH have any liability or responsibility whatsoever for damage to surrounding property, including cabinetry, floors, ceilings, and other structures or objects around the Product. Also excluded from this warranty are scratches, nicks, minor dents, and cosmetic damages on external surfaces and exposed parts; Products on which the serial numbers have been altered, defaced, or removed; service visits to teach you how to use the Product, or visits where there is nothing wrong with the Product; correction of installation problems (you are solely responsible for any structure and setting for the Product, including all electrical, plumbing or other connecting facilities, for proper foundation/flooring, and for any alterations including without limitation cabinetry, walls, floors, shelving, etc.); and resetting of breakers or fuses.

TO THE EXTENT ALLOWED BY LAW, THIS WARRANTY SETS OUT YOUR EXCLUSIVE REMEDIES WITH RESPECT TO PRODUCT, WHETHER THE CLAIM ARISES IN CONTRACT OR TORT (INCLUDING STRICT LIABILITY, OR NEGLIGENCE) OR OTHERWISE. THIS WARRANTY IS IN LIEU OF ALL OTHER WARRANTIES, WHETHER EXPRESS OR IMPLIED. ANY WARRANTY IMPLIED BY LAW, WHETHER FOR MERCHANTABILITY OR FITNESS FOR A PARTICULAR PURPOSE, OR OTHERWISE, SHALL BE EFFECTIVE ONLY FOR THE PERIOD THAT THIS EXPRESS LIMITED WARRANTY IS EFFECTIVE. IN NO EVENT WILL THE MANUFACTURER BE LIABLE FOR CONSEQUENTIAL, SPECIAL, INCIDENTAL, INDIRECT, "BUSINESS LOSS", AND/OR PUNITIVE DAMAGES, LOSSES, OR EXPENSES, INCLUDING WITHOUT LIMITATION TIME AWAY FROM WORK, HOTELS AND/OR RESTAURANT MEALS, REMODELLING EXPENSES IN EXCESS OF DIRECT DAMAGES WHICH ARE DEFINITELY CAUSED EXCLUSIVELY BY BSH, OR OTHERWISE. SOME STATES DO NOT ALLOW THE EXCLUSION OR LIMITATION OF INCIDENTAL OR CONSEQUENTIAL DAMAGES, AND SOME STATES DO NOT ALLOW LIMITATIONS ON HOW LONG AN IMPLIED WARRANTY LASTS, SO THE ABOVE LIMITATIONS MAY NOT APPLY TO YOU. THIS WARRANTY GIVES YOU SPECIFIC LEGAL RIGHTS, AND YOU MAY ALSO HAVE OTHER RIGHTS WHICH VARY FROM STATE TO STATE.

No attempt to alter, modify or amend this warranty shall be effective unless authorized in writing by an officer of BSH.

We reserve the right to make changes in the product or this manual without notification.

Table des matières

Sécurité	1
Consignes de sécurité importantes	1
Avant de commencer	7
Description	8
Description des tableaux de commande	8
Tables de cuisson	8
Utilisation de la table de cuisson	9
Brûleurs STAR scellés	9
Récipients recommandés	13
Récipients pour spécialités	14
Conseils de cuisson - Brûleurs de la table de cuisson	15
Utilisation de la plaque chauffante électrique	17
Utilisation du gril électrique	19
Nettoyage	22
Recommandations pour le nettoyage	22
Avant d'appeler le service technique	26
Plaque signalétique	26
Renseignements pour le service technique	26
Dépannage	27
Énoncé de garantie limitée du produit	28
Service à la clientèle, accessoires et pièces	dernière page

Cet appareil électroménager THERMADOR^{mc} est fait par
BSH Home Appliances Ltd.
6696 Financial Drive, Unit 3
Mississauga, ON L5N 7J6

1-800-735-4328

www.thermador.ca

Nous attendons de vos nouvelles!

Sécurité



INSTRUCTIONS DE SÉCURITÉ IMPORTANTES LISEZ ET CONSERVEZ CES INSTRUCTIONS

AVERTISSEMENT!



Si vous ne suivez pas rigoureusement les renseignements fournis dans le présent guide, des risques d'incendie ou d'explosion sont susceptibles de causer des dommages matériels, des blessures ou la mort.

- N'entrez pas et n'utilisez pas d'essence ou d'autres produits inflammables sous forme de liquide ou de vapeur à proximité de la table de cuisson ou de tout autre appareil.
- SI VOUS DÉTECTEZ UNE ODEUR DE GAZ
 - N'allumez aucun appareil.
 - Ne touchez pas aux interrupteurs électriques.
 - N'utilisez pas les téléphones du bâtiment où vous vous trouvez.
 - Appelez immédiatement votre société gazière chez un voisin et suivez les instructions qu'elle vous donne.
 - Si vous n'arrivez pas à contacter votre société gazière, appelez le service d'incendie.
- L'installation et les travaux d'entretien doivent être réalisés par un installateur qualifié, un centre de réparation agréé ou une société gazière.

AVERTISSEMENT!

Tout installation, ajustement, modification, entretien ou nettoyage inadéquat peut causer des blessures ou des dommages matériels. Consultez le présent manuel. Pour obtenir de l'assistance ou des renseignements supplémentaires, consultez un installateur qualifié, un centre de réparation, le fabricant (ou le détaillant) ou une société gazière.

Pour les installations au Massachusetts :

1. L'installation doit être réalisée par un entrepreneur qualifié ou accrédité, un plombier ou un installateur de gaz qualifié ou autorisée par l'État, la province ou la région dans laquelle cet appareil est installé.
2. La vanne d'arrêt de gaz doit être pourvue d'une poignée en « T ».
3. La longueur du tuyau de gaz ne doit pas excéder 36 po (914 mm).

Vérification du type de gaz

Toutes les tables de cuisson sont expédiées de l'usine pour une utilisation au gaz naturel. Vérifiez le type de gaz fourni à l'endroit de l'installation. Assurez-vous que l'appareil est branché au type de gaz pour lequel il est certifié. Tous les modèles sont certifiés pour une utilisation au gaz naturel. La conversion sur place de l'appareil pour une utilisation avec un approvisionnement en gaz propane requiert l'utilisation d'un jeu de conversion (PALPKITHC). Seul un technicien qualifié doit procéder à la conversion de l'appareil.

ATTENTION!

Lorsque vous branchez l'appareil au gaz propane, assurez-vous que le réservoir de gaz propane est muni de son propre mécanisme régulateur à haute pression en plus du régulateur à haute pression fourni avec l'appareil. La pression de gaz maximale ne devrait pas excéder 14,0 pouces de colonne d'eau (34,9 Mb) entre le réservoir de gaz propane et le régulateur à haute pression.

IMPORTANT :

Vous devez utiliser un dossieret bas lorsque vous installez l'appareil contre une surface combustible. Vous pouvez acheter un dossieret bas THERMADOR séparément. Consultez le manuel d'installation pour obtenir des instructions d'installation et des renseignements sur le dossieret.

Lorsque vous utilisez une garniture d'îlot, THERMADOR recommande un espace libre minimal de 12 po (305 mm) entre l'appareil et la surface combustible (consultez le manuel d'installation pour connaître les exigences en matière d'espace libre). Les espaces libres pour les matières non combustibles ne font pas partie de la norme ANSI Z21.1 et ne sont pas mentionnés par la CSA. Les codes locaux ou les compétences ayant autorité doivent approuver les espaces libres de moins de 12 po (305 mm).

Avant d'utiliser la table de cuisson, assurez-vous qu'elle est munie d'un dossieret adéquat. Consultez les instructions d'installation qui accompagnent cet appareil pour obtenir de plus amples renseignements.



INSTRUCTIONS DE SÉCURITÉ IMPORTANTES

LISEZ ET CONSERVEZ CES INSTRUCTIONS

AVERTISSEMENT!

Pour éviter tout risque de brûlure ou d'incendie, un dossieret conçu spécialement pour cette table de cuisson doit être installé au lieu d'installation.

Exigences électriques

AVERTISSEMENT!

EN CAS DE PANNE ÉLECTRIQUE

Si, pour une raison quelconque, un bouton de commande de gaz est allumé et qu'il n'y a pas d'électricité pour actionner les allumeurs électroniques des brûleurs de la table de cuisson, mettez le bouton à OFF et attendez 5 minutes pour permettre au gaz de se dissiper avant d'allumer manuellement les brûleurs.

Pour allumer manuellement les brûleurs STAR, tenez une allumette allumée près des ports d'un brûleur STAR puis tournez le bouton de commande à HI. Vous pouvez utiliser les brûleurs STAR standards de la table de cuisson pendant une panne d'électricité, mais vous devez les allumer avec une allumette.

NE tentez PAS d'allumer manuellement les deux brûleurs XLO^{mc} de gauche. Ces brûleurs STAR sont dotés de la fonction ExtraLow^{mc} et ne peuvent être allumés manuellement.

Il est de la responsabilité de l'acheteur de s'assurer qu'un électricien qualifié branche cet appareil à l'alimentation électrique, conformément au code national de l'électricité ou aux codes et aux règlements locaux en vigueur.

Tous les modèles de table de cuisson requièrent un circuit électrique 120 volts, 60 Hz et 10 ampères, sauf les modèles munis d'une plaque chauffante, dont le circuit doit être de 15 ampères.

AVERTISSEMENT!

POUR VOTRE SÉCURITÉ PERSONNELLE, CET APPAREIL DOIT ÊTRE CONNECTÉ À UNE ALIMENTATION ÉLECTRIQUE POLARISÉE AVEC UNE MISE À LA TERRE ADÉQUATE.

Débranchez toujours la fiche électrique de la prise murale avant de procéder à l'entretien de l'appareil.

Consultez les exigences d'alimentation électrique et de mise à la terre dans les *instructions d'installation*.

Normes et codes de sécurité

- La norme américaine ANSI Z21.1 régissant les appareils électroménagers à gaz
- La norme américaine UL858 régissant les cuisinières électriques domestiques.
- La norme canadienne CAN/CSA-22.2 No. 61-M89 régissant les cuisinières domestiques.
- La norme canadienne CAN/CGA1.1-M81 régissant les cuisinières à gaz domestiques.

Consultez la réglementation locale du bâtiment qui s'applique à votre cas pour connaître la bonne méthode d'installation. S'il n'y a pas de réglementation, cet appareil doit être installé conformément au code national américain sur les gaz combustibles No Z223.1, édition actuelle, et au code américain de l'électricité ANSI/NFPA No 70, édition actuelle, ou bien au code canadien Can - B149 régissant l'installation des appareils à gaz et à la section 1 du code électrique canadien C22.1.

Il incombe au propriétaire et à l'installateur de déterminer si des exigences ou des normes additionnelles s'appliquent spécifiquement à l'installation.

Votre table de cuisson PROFESSIONAL^{mc} de THERMADOR est conçue pour être fiable et sécuritaire si elle est bien entretenue. Néanmoins, vous devez faire preuve d'une grande prudence lorsque vous utilisez cette table de cuisson professionnelle, car ce type d'appareil produit une chaleur intense. L'utilisation d'appareils de cuisine doit se faire conformément aux consignes élémentaires de sécurité, y compris ce qui suit :

Lisez attentivement le présent guide d'utilisation et d'entretien avant d'utiliser votre nouvelle table de cuisson afin de réduire les risques d'incendie, de décharge électrique ou de blessures.

L'installation et l'entretien doivent être correctement effectués. Suivez les instructions du *manuel d'installation* fourni avec le produit. Assurez-vous qu'un électricien qualifié installe et effectue la mise à la terre de la table de cuisson.

Demandez à l'installateur de vous montrer où se trouvent le disjoncteur et la vanne d'arrêt de gaz pour savoir où et comment couper l'alimentation électrique et l'approvisionnement en gaz de la table de cuisson.



INSTRUCTIONS DE SÉCURITÉ IMPORTANTES

LISEZ ET CONSERVEZ CES INSTRUCTIONS

Si le brûleur STAR^{mc} fuit et que du gaz s'en échappe, ouvrez une fenêtre ou une porte. NE tentez PAS d'utiliser la table de cuisson avant que le gaz ait eu le temps de se dissiper. Attendez au moins 5 minutes avant d'utiliser la table de cuisson.

Ne réparez et ne remplacez aucune pièce de l'appareil, sauf si le présent guide le recommande expressément. Toute autre réparation doit être effectuée par un technicien qualifié.

AVERTISSEMENT!

POUR RÉDUIRE LES RISQUES DE BLESSURE LORS D'UN FEU DE FRITURE, OBSERVEZ LES CONSIGNES SUIVANTES :

- Étouffez les flammes avec un couvercle, une plaque à biscuits ou un plateau de métal et éteignez ensuite le brûleur ou l'élément. Prenez garde aux risques de brûlure. Si les flammes ne disparaissent pas immédiatement, évacuez les lieux et appelez le service d'incendie.
- Ne prenez jamais un poêlon en feu – Vous pourriez vous brûler.
- N'UTILISEZ PAS D'EAU ou un linge à vaisselle mouillé – une violente explosion de vapeur s'ensuivra.
- Utilisez un extincteur seulement si :
 - Vous savez que vous possédez un extincteur de classe ABC et vous savez vous en servir.
 - Le feu est faible et ne s'est pas répandu depuis son point d'origine.
 - Vous avez appelé le service d'incendie.
 - Vous pouvez sortir facilement de l'endroit où vous combattez le feu.

Sécurité des enfants

Lorsque les enfants sont assez âgés pour utiliser l'appareil, il est de la responsabilité légale des parents ou des tuteurs de veiller à ce que des personnes qualifiées leur enseignent des pratiques sécuritaires.

AVERTISSEMENT!

NE rangez PAS d'objets attirant l'attention d'enfants au-dessus ou derrière la table de cuisson. Ils risqueraient d'y monter pour s'en emparer et pourraient se blesser gravement.

NE permettez PAS que quiconque grimpe, se mette debout, s'assoit ou se penche à une pièce de l'appareil. Cela pourrait endommager l'appareil et il pourrait basculer, infligeant possiblement de graves blessures.

NE permettez PAS à des enfants d'utiliser l'appareil à moins qu'ils ne soient surveillés de près par un adulte.

Les enfants et les animaux ne devraient pas être laissés seuls ou sans surveillance dans la salle où l'appareil est en cours d'utilisation. Ils ne devraient jamais avoir l'autorisation de jouer près de l'appareil, qu'il soit en cours d'utilisation ou non.

N'utilisez JAMAIS la table de cuisson comme espace de rangement. Les matières inflammables pourraient prendre feu et les objets en plastique pourraient fondre ou prendre feu. N'accrochez rien sur l'appareil. Certains tissus peuvent facilement s'enflammer.

Si la table de cuisson est placée près d'une fenêtre, assurez-vous que les courants d'air ne peuvent pas pousser les rideaux jusqu'au-dessus ou à proximité des brûleurs STAR; ils pourraient s'enflammer.

AVERTISSEMENT!

POUR RÉDUIRE LES RISQUES DE FEU DE FRITURE :

- Ne laissez jamais l'appareil sans surveillance lors de son utilisation à haute température. Les débordements par bouillonnement causent de la fumée et les déversements de graisse qui peuvent prendre feu. Faites chauffer l'huile à des températures basses ou moyennes.
- Allumez toujours la hotte lorsque vous cuisinez à haute température ou que vous faites flamber des aliments (c.-à-d. crêpes Suzette, cerises jubilé, bœuf flambé au poivre).
- Nettoyez fréquemment les ventilateurs. Ne laissez pas la graisse s'accumuler sur les ventilateurs ou les filtres.
- Utilisez des poêlons aux dimensions adéquates. Utilisez toujours une batterie de cuisine correspondant aux dimensions de l'élément ou du brûleur.

Assurez-vous qu'il y a TOUJOURS un détecteur de fumée fonctionnel près de la cuisine. Si vos vêtements ou vos cheveux prennent feu, jetez-vous immédiatement par terre et roulez pour éteindre les flammes.



INSTRUCTIONS DE SÉCURITÉ IMPORTANTES

LISEZ ET CONSERVEZ CES INSTRUCTIONS

Assurez-vous qu'il y a TOUJOURS un détecteur de fumée fonctionnel près de la cuisine. Si vos vêtements ou vos cheveux prennent feu, jetez-vous immédiatement par terre et roulez pour éteindre les flammes.

Ayez un extincteur approprié à portée de la main, visible et facile d'accès, tout près de l'appareil de cuisson.

Étouffez les flammes provenant d'aliments en feu, autre que les feux de friture, avec du bicarbonate de soude. N'utilisez jamais de l'eau pour éteindre des aliments en feu.

Dans la mesure du possible, ne faites pas fonctionner le système de ventilation lorsqu'il y a un feu sur la table de cuisson. Cependant, ne tentez pas de l'éteindre en passant votre main dans le feu.

Les vêtements, poignées, mitaines ou toute autre matière inflammable ne doivent JAMAIS toucher ni être placés à proximité des brûleurs ou des grilles des brûleurs avant que ceux-ci n'aient eu le temps de refroidir. Les tissus pourraient prendre feu et provoquer des blessures.

N'utilisez que des poignées et mitaines sèches : la vapeur qui se dégage de poignées et de mitaines mouillées ou humides posées sur des surfaces chaudes peut provoquer des blessures. N'utilisez PAS de serviettes ni de chiffons volumineux au lieu de poignées et de mitaines. Ne laissez pas de poignées ou de mitaines en contact avec des grilles ou des brûleurs chauds.

Pour votre sécurité, lorsque vous utilisez l'appareil, portez des vêtements adéquats et évitez ceux qui sont amples et qui ont des manches tombantes. Certains tissus synthétiques sont hautement inflammables. Vous ne devriez pas en porter lorsque vous cuisinez.

AVERTISSEMENT!

L'appareil sert à cuisiner. N'utilisez jamais la table de cuisson pour chauffer une pièce. Ceci peut causer un empoisonnement au monoxyde de carbone et surchauffer l'appareil en plus d'en endommager certaines pièces.

N'enveloppez aucune pièce de la table de cuisson dans du papier d'aluminium. L'utilisation de revêtement en aluminium pourrait causer une décharge électrique ou un incendie, ou encore obstruer la circulation d'air de la combustion et de l'aération. Le papier d'aluminium est un excellent isolateur et il retient la chaleur. Son utilisation aura une incidence sur la cuisson et pourrait endommager le fini de la table de cuisson.

Quand vous utilisez la table de cuisson : **NE TOUCHEZ PAS LES GRILLES DES BRÛLEURS OU LES ZONES ADJACENTES.** Les zones entourant les brûleurs peuvent devenir assez chaudes pour causer des brûlures.

Ne laissez jamais la table de cuisson sans surveillance quand vous utilisez une flamme intense. Les débordements produisent de la fumée et des éclaboussures de graisse qui peuvent s'enflammer. Par ailleurs, si la flamme d'un brûleur s'éteint, du gaz s'échappera dans la pièce. Pour en savoir plus sur les fuites de gaz, consultez la *page 1*.

Seuls certains types de casseroles en verre, en vitrocéramique résistant à la chaleur, en céramique, en terre cuite ou en céramique vitrifiée peuvent être utilisés sur les brûleurs de la table de cuisson. Ce type de récipients peut se casser lors de changements de température brusques. N'utilisez que des réglages de flamme bas ou moyen et respectez les directives du fabricant.

Ne faites pas chauffer de récipients fermés. La pression s'accumulant dans le récipient pourrait le faire éclater et provoquer des blessures.

Lorsque vous cuisinez, réglez les brûleurs de façon à ce que la flamme ne chauffe que le fond du récipient sans déborder sur les côtés.

AVERTISSEMENT!

Évitez d'utiliser une flamme forte de façon prolongée avec un récipient plus grand que la grille ou couvrant plusieurs brûleurs, comme une plaque. Cela peut nuire à la combustion et produire des émanations dangereuses.

Soyez prudent et assurez-vous que les courants provenant de grilles d'aération ou de ventilateurs ne soufflent pas de matière inflammable vers les flammes ou ne poussent pas les flammes sur les côtés de la casserole ou du poêlon.

Utilisez toujours des casseroles et poêlons à fond plat et suffisamment larges pour couvrir le brûleur. L'utilisation de casseroles trop petites pourrait exposer une partie de la flamme et enflammer des vêtements.



INSTRUCTIONS DE SÉCURITÉ IMPORTANTES

LISEZ ET CONSERVEZ CES INSTRUCTIONS

Pour réduire les risques de brûlure, d'inflammation de matières inflammables et de renversements accidentels, placez les poignées des récipients vers l'intérieur de la table de cuisson pour qu'elles ne dépassent pas sur les surfaces de travail adjacentes, les zones de préparation ou le bord de la table de cuisson.

N'utilisez PAS de casseroles ou de poêlons sur l'accessoire du gril (vendu séparément). Vous ne devriez jamais utiliser de grandes casseroles, de plaques à biscuits, etc. sur la table de cuisson.

N'utilisez PAS de produits nettoyants inflammables pour nettoyer la table de cuisson.

Tenez la poignée du récipient pour l'empêcher de bouger quand vous remuez des aliments.

Avant d'utiliser la plaque chauffante ou les brûleurs à proximité, enlevez la planche à découper optionnelle ou l'accessoire de recouvrement de la plaque.

LA GRAISSE EST INFLAMMABLE. Laissez la graisse chaude refroidir avant d'essayer de la manipuler. Évitez de laisser de la graisse s'accumuler. Nettoyez après chaque utilisation.

Pour que les brûleurs s'allument et fonctionnent correctement, les orifices d'allumage doivent être gardés propres. Il faut les nettoyer après un débordement ou lorsque le brûleur ne s'allume pas même si le système d'allumage électronique s'actionne.

Nettoyez la table de cuisson avec soin. Faites attention de ne pas vous brûler avec la vapeur. N'utilisez PAS d'éponge ou de chiffon mouillé pour nettoyer la table de cuisson quand elle est chaude. Certains produits nettoyants dégagent des vapeurs toxiques s'ils sont appliqués sur une surface chaude. Suivez les indications fournies par le fabricant du produit nettoyant.

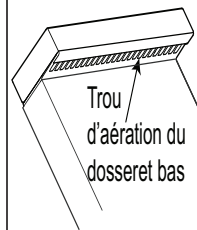
AVERTISSEMENT!

Après un renversement ou une éclaboussure, éteignez le brûleur et nettoyez le pourtour et les orifices avec soin. Assurez-vous du bon fonctionnement de l'appareil après le nettoyage.

Assurez-vous que tous les boutons de la table de cuisson sont hors circuit et que la plaque chauffante est froide avant d'utiliser un produit nettoyant en aérosol sur celle-ci ou à proximité de celle-ci. Certains produits chimiques vaporisés peuvent, en présence de chaleur, prendre feu ou corroder les pièces métalliques.

N'obstruez PAS la circulation d'air de combustion ou d'aération.

AVERTISSEMENT!



NE bloquez PAS et n'obstruez PAS les ouvertures du trou d'aération. Le trou d'aération est situé à l'arrière de l'appareil. Il doit être dégagé et ouvert pour fournir la circulation d'air nécessaire au bon fonctionnement de l'appareil.

NE touchez PAS la zone entourant le trou d'aération lorsque l'appareil est en marche ou plusieurs minutes après son utilisation. Certaines pièces du trou d'aération et de la zone l'entourant deviennent assez chaudes pour causer des brûlures. Laissez passer assez de temps pour que l'appareil ait le temps de refroidir avant de toucher ou nettoyer le trou d'aération.

NE placez PAS d'objets de plastique ou d'autre matière sensible à la chaleur sur le trou d'aération ou près de celui-ci. Ils pourraient prendre feu.

Toutes les réparations doivent être effectuées par des techniciens agréés, qui devront débrancher l'alimentation électrique de l'appareil avant de le réparer.

Pour éviter tout risque d'incendie, nettoyez fréquemment la hotte et les filtres afin d'empêcher les accumulations de graisse.

En cas d'incendie ou si vous faites flamber intentionnellement de l'alcool sur la table de cuisson, suivez les instructions du fabricant. Faites preuve de prudence lorsque vous cuisinez avec de l'alcool (ex. : rhum, brandy, bourbon). L'alcool s'évapore à haute température. Les vapeurs d'alcool peuvent s'enflammer et présenter un risque de brûlure. Utilisez seulement une petite quantité d'alcool avec les aliments.



INSTRUCTIONS DE SÉCURITÉ IMPORTANTES

LISEZ ET CONSERVEZ CES INSTRUCTIONS

NE rangez PAS ou n'utilisez PAS de produits chimiques, corrosifs, inflammables, non alimentaires près ou dans cet appareil, lequel est spécifiquement conçu pour réchauffer ou faire cuire des aliments. L'utilisation de produits chimiques corrosifs pendant le réchauffage ou la cuisson peut endommager l'appareil et causer des blessures.

AVERTISSEMENT!

Vous ne devriez pas installer cet appareil avec un système de ventilation à aspiration descendante. Ce type de système de ventilation peut présenter des risques d'incendie et des problèmes de combustion et ainsi entraîner des blessures corporelles, des dommages matériels ou un fonctionnement involontaire. Aucune restriction ne s'applique aux systèmes de ventilation à aspiration ascendante.

AVERTISSEMENT!

Avertissements de la Proposition 65 de l'État de la Californie :

Ce produit contient des produits chimiques connus de l'État de la Californie pour causer le cancer, des anomalies congénitales ou d'autres problèmes de reproduction.



Enlevez tout le matériel d'emballage et les étiquettes temporaires de la table de cuisson. Veuillez recycler le matériel d'emballage, car tout ce que THERMADOR utilise pour emballer ses appareils est recyclable.

Avant de commencer

Avant d'utiliser la table de cuisson pour la première fois, assurez-vous d'avoir en votre possession ces article :

DESCRIPTION	30", 4 brûleurs	36" avec plaque chauffante	36" avec grill	36 po, 6 brûleurs	48", avec plaque chauffante	48" avec grill
Chapeaux de brûleurs STAR ^{mc}	4	4	4	6	6	6
Grilles des brûleurs	2	2	2	3	3	3
Grille centrale	1	—	—	—	—	—
Grilles du grill	—	—	2	—	—	2
Pierres de lave, sac	—	—	1	—	—	1
Panier à pierres de lave	—	—	1	—	—	1
Plateau à graisse du grill	—	—	1	—	—	1
Plaque chauffante	—	1	—	—	1	—
Plateau à graisse de la plaque chauffante	—	1	—	—	1	—
Garniture d'îlot*	1	1	1	1	1	1
Pochette de documents	1	1	1	1	1	1

* Tous les modèles sont vendus avec une garniture d'îlot. Toutefois, consultez l'avertissement concernant l'espace derrière la table de cuisson lors de l'utilisation de la table de cuisson avec cet accessoire.

Tableau 1: Accessoires et pièces de la table de cuisson

1. Assurez-vous que vous avez tous les éléments énumérés dans le *Tableau 1*.
2. **Notez les numéros de modèle et de série à la page 26.** Consultez les renseignements apparaissant sur la plaque de la fiche signalétique. La plaque de la fiche signalétique se trouve sous le bâti de la table de cuisson, près de la partie avant de la table de cuisson (voir la *Figure 19* à la page 26). Vous pouvez utiliser ces renseignements lors de toutes vos futures communications avec le service à la clientèle. Inscrivez-les également sur la carte d'enregistrement du produit fournie avec l'appareil et envoyez cette dernière à l'adresse indiquée.
3. Accessoires optionnels : plaque de grill (PA12GRILLN), planche à découper de 12 po (PA12CHPBLK), couvercle de plaque chauffante (PA12CVRJ), anneau support pour wok (PWOKRINGHC) et autres accessoires en vente chez votre détaillant THERMADOR.

Les tables de cuisson PROFESSIONAL^{mc} de THERMADOR dégagent parfois une odeur particulière ou de la fumée lors de la première utilisation. Ces odeurs ou cette fumée proviennent des résidus de fabrication qui brûlent, ce qui est caractéristique de toute nouvelle table de cuisson, indépendamment du fabricant.

Veillez noter que les oiseaux de compagnie peuvent être sensibles aux odeurs créées durant une cuisson à température élevée, qu'elles proviennent de la combustion de résidus de fabrication ou d'aliments. Il est donc recommandé de sortir les oiseaux de compagnie de la cuisine.

IMPORTANT :

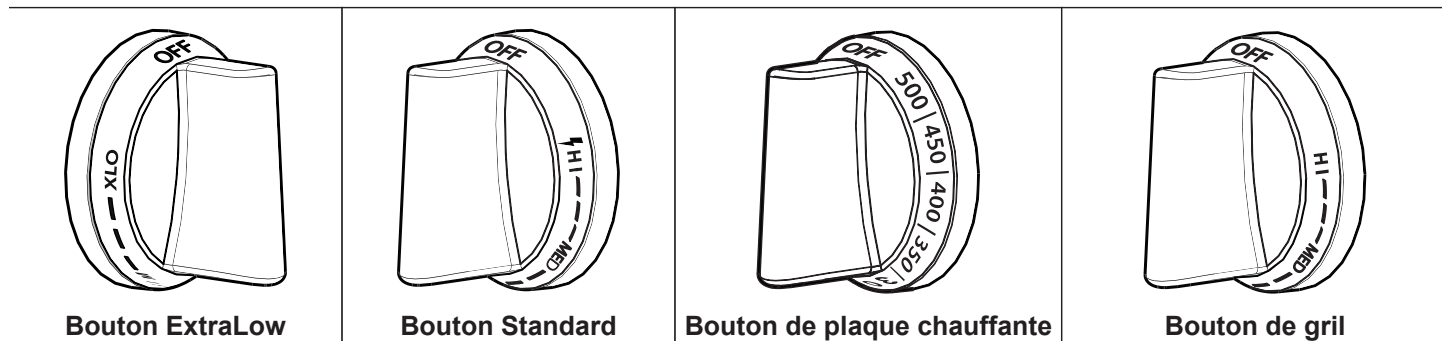
Avant d'allumer la table de cuisson, assurez-vous que tous les boutons sont à la position OFF.

Pour prévenir tout fonctionnement involontaire lorsque vous allumez l'appareil, veuillez placer tous les boutons à la position OFF.

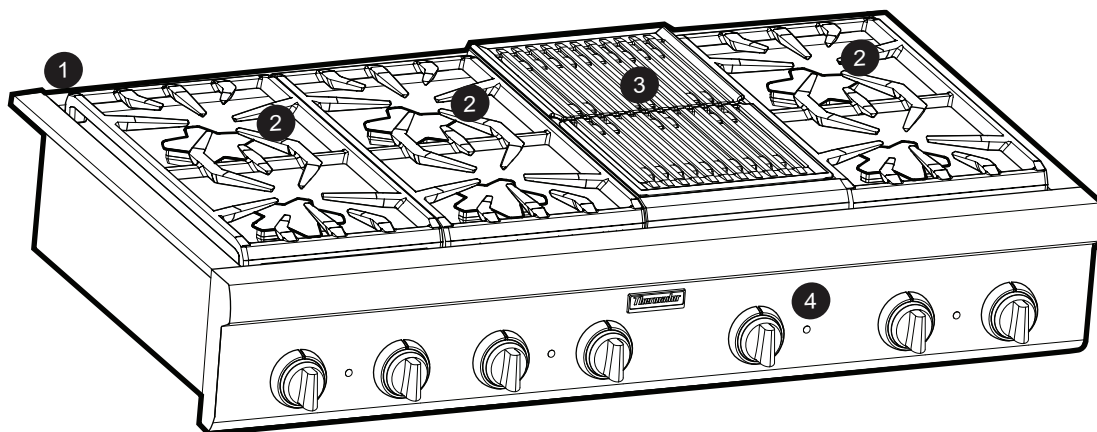
Description

Identification des pièces

Description des tableaux de commande



Tables de cuisson (les modèles varient)



1. Garniture d'îlot ou dossieret bas
2. Grilles et brûleurs
3. Gril
4. Tableau de commande

Figure 1 : Tables de cuisson

Utilisation de la table de cuisson

Brûleurs scellés STAR^{mc}

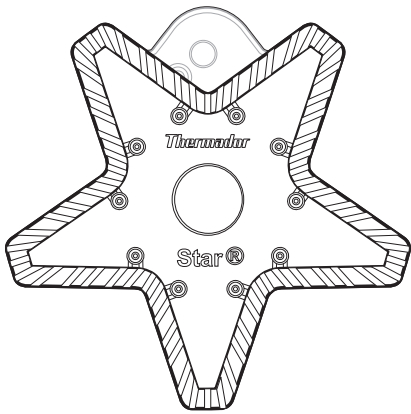


Figure 2 : Base de brûleur STAR en laiton

Chaque brûleur est muni d'un dispositif QuickClean^{mc} unique qui facilite le nettoyage du brûleur et de la zone qui lui est adjacente.

Pour tous les modèles, les deux brûleurs de gauche sont dotés de la fonction exclusive ExtraLow^{mc}, alors que les autres brûleurs sont standards. À chacun des brûleurs STAR correspond un bouton de commande.

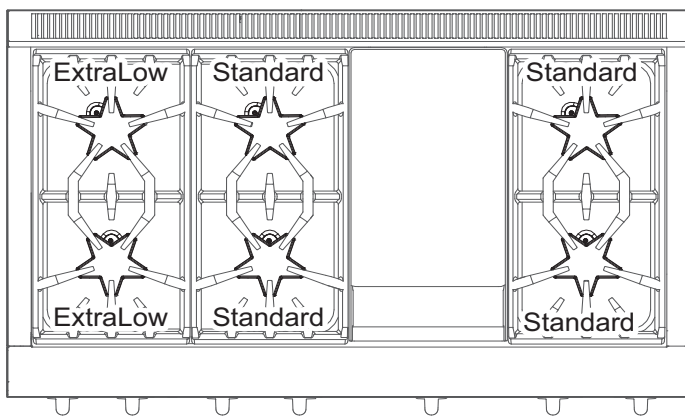


Figure 3 : Disposition des brûleurs

Boutons de commande

Normalement, deux boutons de commande du panneau de commandes se trouvent directement en face des brûleurs STAR auxquels ils correspondent, les deux brûleurs STAR au gaz étant situés l'un en face de l'autre sur la table de cuisson.

Le symbole au-dessus de chaque bouton de brûleur identifie la position sur la table de cuisson.

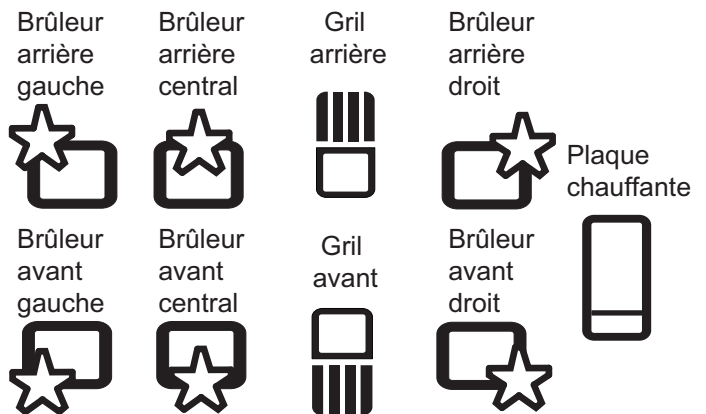


Figure 4 : Symboles de la table de cuisson

Fonctionnement des brûleurs STAR

1. Poussez sur le bouton et tournez-le dans le sens antihoraire jusqu'au réglage HI.
 - L'allumeur du brûleur sélectionné émet des étincelles pour allumer le brûleur.
 - Une fois le brûleur allumé, l'allumeur cesse d'émettre des étincelles.
2. Tournez le bouton à n'importe quel réglage entre HI et SIM.
 - Un témoin lumineux bleu se trouve directement au-dessus de chaque bouton de commande de brûleur. Le témoin s'allume si le bouton de commande est à un mode actif et s'éteint lorsqu'il est à la position OFF.

Brûleurs STAR^{mc} ExtraLow^{mc}

Les boutons de commande des deux brûleurs de gauche, avant et arrière, peuvent être ajustés à des intensités de flamme encore plus basses que les réglages standards de mijotage (voir la *Figure 3 à la page 9*).

La *Figure 5* montre la gamme supplémentaire de réglages du bouton entre les réglages SIM et XLO. Lorsque le bouton est ajusté pour l'utilisation de cette fonction, la flamme s'allume et s'éteint par intervalles. La durée pendant laquelle la flamme est allumée et éteinte permet de réduire davantage la quantité de chaleur et de cuire des aliments délicats. Par exemple, le réglage très bas est utile pour faire mijoter et pocher, faire fondre du chocolat et du beurre, ou maintenir la température de plats préparés sans qu'ils roussissent ou brûlent, etc.

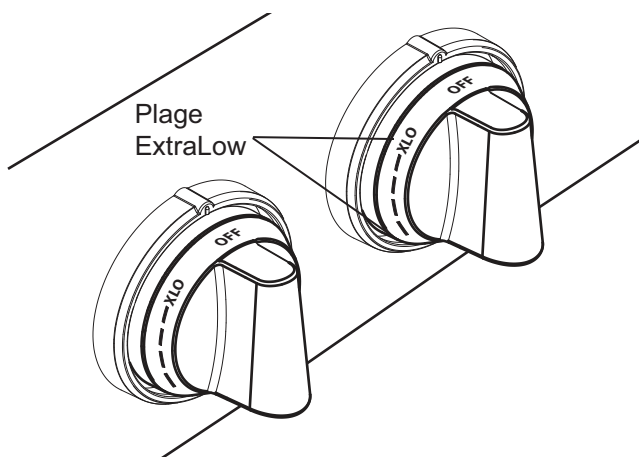


Figure 5 : Bouton de commande d'un brûleur ExtraLow

Fonctionnement des brûleurs ExtraLow^{mc}

- XLO, le réglage le plus bas, fonctionne par cycles d'une minute où la flamme est allumée pendant environ 7 secondes puis éteinte pendant environ 53 secondes.
- Lorsque le bouton est réglé tout juste en dessous du repère SIM, la flamme reste allumée pendant environ 54 secondes et s'éteint pendant environ 6 secondes.
- Pour faire varier le degré de chaleur, il est possible de régler le bouton à n'importe quelle position entre SIM et XLO.

Techniques ExtraLow^{mc}

- Le type et la quantité d'aliments déterminent le réglage à utiliser.
- Le type de récipient choisi a également une incidence sur le réglage. Ses dimensions, sa forme, le matériau et l'utilisation d'un couvercle sont des facteurs qui influent sur la constance de la température de cuisson.
- Pour maintenir une chaleur basse ou pour faire mijoter, portez les aliments à ébullition. Remuez bien, couvrez le récipient puis baissez le réglage en plaçant le bouton juste en dessous de SIM.
- Vérifiez régulièrement s'il est nécessaire de modifier le réglage du bouton de commande.
- Si vous utilisez un récipient surdimensionné, vos aliments mijoteront principalement au centre de celui-ci. Pour homogénéiser la température d'ensemble, remuez les aliments de façon à ce que ceux qui se trouvent sur les rebords passent également par le centre.
- Quand un plat mijote, il est normal de le remuer de temps à autre, surtout s'il doit mijoter pendant plusieurs heures, comme dans le cas de fèves au lard ou d'une sauce à spaghetti maison.
- Quand vous baissez le réglage de la flamme, faites-le graduellement.
- Si le réglage est trop bas pour faire mijoter, portez de nouveau à ébullition avant de mettre le bouton à un réglage plus intense.
- Il est normal de ne pas voir de bulles après avoir remué les aliments.
- Quand la flamme est allumée, des bulles peuvent se former, puis disparaître lorsqu'elle s'éteint. Même quand la flamme est éteinte, de la vapeur et un léger frémissement seront perceptibles à la surface du liquide.

IMPORTANT :

- Pour assurer une bonne combustion, N'utilisez PAS la table de cuisson sans les grilles des brûleurs.
- L'allumage et la combustion du gaz produisent un petit bruit qui est tout à fait normal.
- Sur les tables de cuisson alimentées au gaz propane, il est possible que vous entendiez un petit bruit sec au niveau des orifices du brûleur STAR quelques secondes après l'avoir éteint.

Vérification de la position des chapeaux des brûleurs.

- Vérifiez chaque brûleur pour vous assurer qu'il n'y a pas d'espace entre le chapeau et la base du brûleur. Voir les *Figure 6* et *Figure 7* pour des exemples de chapeau de brûleur placé correctement ou incorrectement.
- Vous pouvez essayer de déplacer délicatement les chapeaux des brûleurs latéralement pour vous assurer qu'ils sont placés correctement sur leur base. Lorsqu'ils sont bien placés, les chapeaux des brûleurs sont droits sur la base et couvrent complètement la base du brûleur en forme d'étoile lorsque vous les regardez d'en haut, comme sur la *Figure 6*.

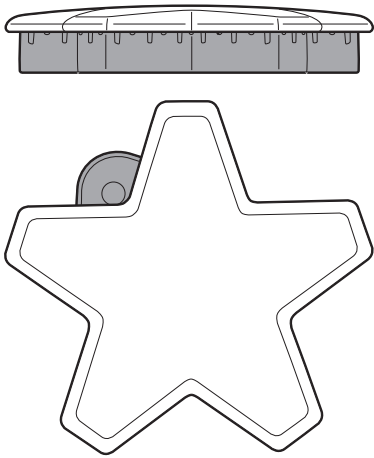


Figure 6 : Chapeau de brûleur placé correctement

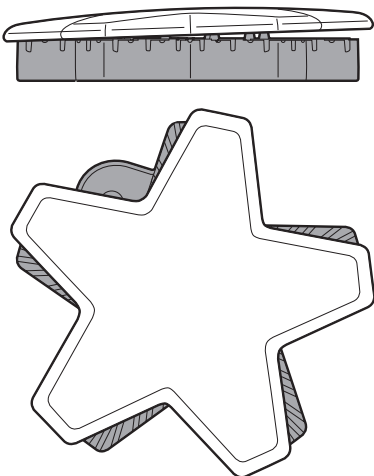


Figure 7 : Chapeau de brûleur placé incorrectement

AVERTISSEMENT!

Pour éviter que des produits ne s'enflamment ou créent des vapeurs nocives, n'utilisez pas la table de cuisson si les chapeaux et les grilles des brûleurs ne sont pas tous placés correctement.

Positionnement des chapeaux des brûleurs

Pour assurer un fonctionnement approprié, les chapeaux des brûleurs STAR doivent être placés adéquatement sur leur base. Si le chapeau n'est pas placé adéquatement, l'un ou l'autre des problèmes suivants pourrait survenir :

- Les flammes du brûleur sont trop hautes.
- Des flammes excessives jaillissent du brûleur.
- Le brûleur ne s'allume pas.
- Les flammes du brûleur sont inégales.
- Le brûleur émet des odeurs.

AVERTISSEMENT!

Pour prévenir toute brûlure, éviter de toucher les chapeaux et les grilles des brûleurs lorsqu'ils sont chauds. Éteignez la table de cuisson et laissez les brûleurs refroidir.

Allumage électronique par point unique

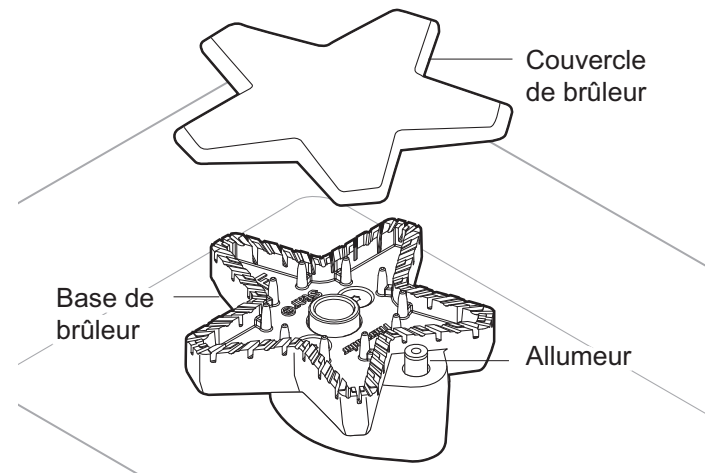


Figure 8 : Éléments des brûleurs STAR

Chaque brûleur STAR^{mc} comporte son propre allumeur électronique qui produit des étincelles lorsque le bouton est activé. Les brûleurs doivent s'allumer en 4 secondes ou moins. Si le brûleur ne s'allume pas, assurez-vous que le chapeau est correctement posé sur sa base (voir les *Figure 6* et *Figure 7*).

ATTENTION!

NE touchez PAS aux brûleurs STAR pendant que les allumeurs produisent des étincelles.

Rallumage automatique

Si un ou plusieurs brûleurs s'éteignent, l'allumeur électronique produit automatiquement des étincelles pour rallumer la flamme. NE touchez PAS aux brûleurs STAR pendant que les allumeurs produisent des étincelles.

Panne de courant

- En cas de panne de courant, seuls les brûleurs standards peuvent être allumés manuellement. Chacun d'eux doit être allumé individuellement.
- Si une panne de courant survient pendant que vous utilisez la table de cuisson, tournez tous les boutons à la position OFF.
- Vous pouvez allumer les brûleurs STAR standards en approchant une allumette enflammée près des orifices et en tournant le bouton à la position HI. Attendez que la flamme soit allumée tout autour du chapeau du brûleur avant de l'ajuster à la hauteur voulue.
- N'essayez pas d'allumer manuellement les deux brûleurs XLO^{mc} de gauche pendant une panne de courant. Ces brûleurs sont munis de la fonction ExtraLow et ne peuvent être allumés manuellement.
- Si un brûleur ExtraLow est allumé pendant une panne de courant, il ne peut être remis en circuit tant que le bouton n'est pas réglé à la position OFF.
- La plaque chauffante et le gril ne peuvent être utilisés pendant une panne de courant.
- Si vous détectez une odeur de gaz, consultez les consignes de sécurité de la *page 1*.



AVERTISSEMENT!

En cas de panne de courant, mettez tous les boutons à la position OFF. Seuls les brûleurs standards peuvent être allumés manuellement.

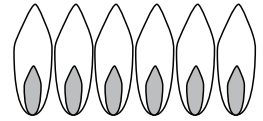
Hauteur de la flamme

- La hauteur correcte de la flamme dépend : (1) de la taille et du matériau du récipient utilisé; (2) des aliments à cuire; et (3) de la quantité de liquide dans le récipient.
- La flamme ne doit pas dépasser les côtés de la base du récipient.
- Utilisez une flamme basse ou moyenne pour les récipients dont le matériau conduit lentement la chaleur, comme l'acier émaillé ou la vitrocéramique.

Description de la flamme

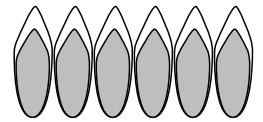
Flamme jaune :

Réglage nécessaire.



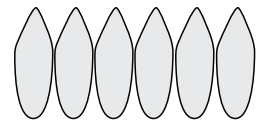
Pointe jaune sur cône extérieur :

Normal pour gaz LP.



Flamme bleue :

Normal pour gaz naturel.



Si la flamme est complètement ou presque jaune, assurez-vous que le régulateur est réglé pour le combustible approprié. Après le réglage, vérifiez de nouveau.

Des rayures de couleur orangée sont normales pendant la mise en marche initiale. Laissez l'appareil fonctionner de 4 à 5 minutes et évaluez de nouveau avant d'effectuer les réglages.

Figure 9 : Caractéristiques des flammes

- La flamme des brûleurs doit être bleue sans pointe jaune. Elle devient parfois partiellement orange : cela indique que des impuretés flottant dans l'air sont en train de se consumer. Elles disparaîtront avec l'usage.
- Avec le gaz propane, il est normal qu'il y ait un peu de jaune dans le cône principal.
- La flamme doit brûler tout autour du chapeau du brûleur. Si ce n'est pas le cas, assurez-vous que le chapeau est bien posé sur la base et que les orifices ne sont pas bouchés.
- La flamme doit être stable, ne pas voltiger ni faire de bruit excessif.

Récipients recommandés

⚠ MISE EN GARDE!

Pour éviter tout risque de dommages sérieux à l'appareil ou à un récipient, observez les consignes suivantes:

- Les grands récipients, les plaques à biscuits, etc. ne doivent pas être utilisés sur la surface de cuisson.
- Placez les grandes casseroles de façon décalée lorsque vous utilisez la surface de cuisson.
- Choisissez une casserole dont la base correspond au diamètre de la flamme. La flamme doit être égale ou légèrement plus petite que la base du récipient. Des récipients surdimensionnés ou sous-dimensionnés nuisent aux résultats de la cuisson. Une base d'un diamètre de 5½ po (14 cm) est généralement la plus petite taille conseillée.

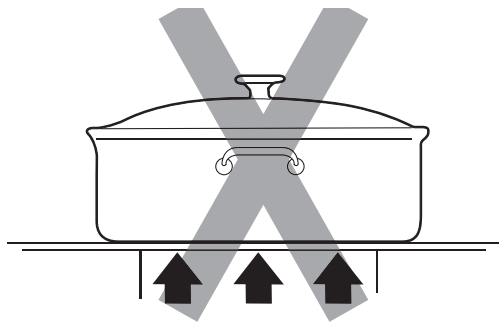


Figure 10 : Diamètre de la base

- Évitez d'utiliser un réglage de flamme intense lors de l'utilisation d'un poêlon plus grand que la grille ou qui occupe plus que l'espace d'un seul brûleur, comme une plaque, pour de longues périodes. Cela peut générer une mauvaise combustion et des vapeurs nocives.
- L'assise du récipient est un facteur important de stabilité et d'uniformité de la cuisson. La poignée ne doit pas être plus lourde que le récipient, car celui-ci pourrait pencher sur un côté. Le récipient doit reposer bien à plat sur la grille sans se balancer ni être instable.

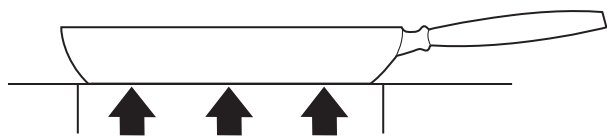


Figure 11 : Récipient stable

- Les aliments enveloppés dans du papier aluminium ne doivent pas être placés directement sur la grille du brûleur, car l'aluminium peut fondre pendant la cuisson.
- Ne laissez pas du plastique, du papier ou du tissu entrer en contact avec une grille de brûleur chaude. Ils pourraient fondre ou s'enflammer.
- Ne laissez jamais une casserole cuire à sec. Vous pourriez endommager la casserole et la surface de cuisson.
- Des récipients de qualité professionnelle à poignée métallique sont recommandés, car les poignées en plastique risquent de fondre ou de se déformer si la flamme déborde du récipient. Des récipients de qualité professionnelle sont en vente dans les magasins de fournitures pour restaurant et dans les boutiques gastronomiques. Tous les récipients utilisés doivent posséder les caractéristiques suivantes : bonne conductivité de la chaleur, bonne assise, dimensions adéquates du diamètre de la base, base lourde et fond plat, et couvercle bien adapté.
- Pour de meilleurs résultats de cuisson, la flamme ne doit pas déborder du fond de la casserole.

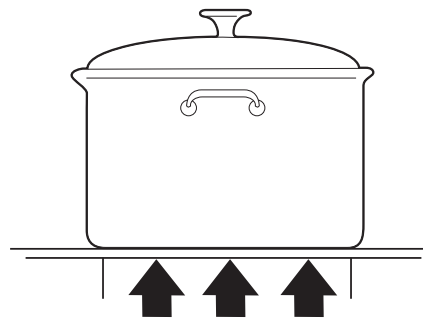


Figure 12 : Récipient à fond plat

- L'aluminium et le cuivre sont des matériaux qui conduisent la chaleur rapidement et uniformément. Le fond des récipients est souvent fabriqué avec ces métaux. Ils peuvent également être insérés entre des couches d'acier inoxydable.
- Un fond plat et lourd est plus stable lorsque chauffé. Les casseroles déformées, légères et bosselées ne permettent pas une cuisson uniforme. Chauffez et refroidissez les casseroles graduellement pour éviter les changements soudains de température, qui peuvent déformer les casseroles. Ne mettez pas d'eau froide dans une casserole chaude.

- Un couvercle adapté au diamètre d'un récipient raccourcit le temps de cuisson et permet l'utilisation de réglages plus bas.

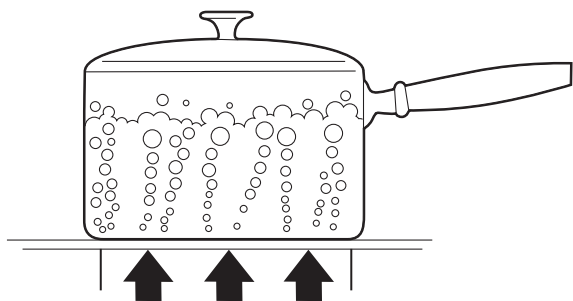


Figure 13 : Récipient à fond plat

Récipients pour spécialités

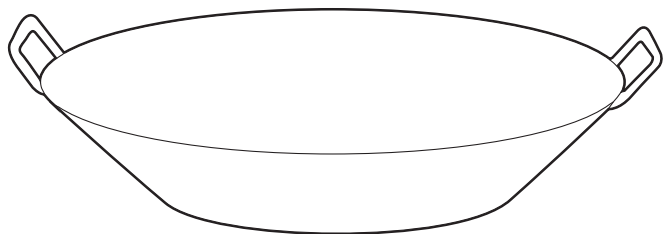


Figure 14 : Wok à fond plat

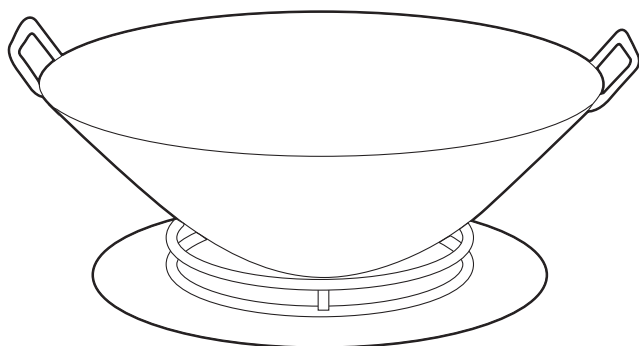


Figure 15 : Wok à fond rond dans un anneau de support

Woks — Les woks à fond plat ou rond avec un anneau de support peuvent être utilisés sur tous les modèles. Un anneau de support doit être utilisé avec les woks à fond rond. Le wok et l'anneau à wok en fonte revêtu d'une couche de porcelaine sont vendus séparément (PWOKRINGHC).

Cocottes et marmites — choisissez une base dont le diamètre dépasse au maximum de 2 po (51 mm) de la grille.

Bain-marie de dimensions standards — 21 à 22 pintes (19,95 à 20,9 litres) avec une base de 11-12 po (279 à 305 mm) et une hauteur de 9 à 11 po (229 à 279 mm).

Cocotte-Minute de dimensions standards — 8 à 22 pintes (7,6 à 20,9 litres) avec une base de 8 à 11 po (20,3 à 27,9 cm) et une hauteur de 6,5 à 12 po (165 à 305 mm).

Conseils d'utilisation:

- Il est préférable d'utiliser un récipient à fond plat qu'un récipient à fond concave, convexe ou ondulé.
- Si vous utilisez deux cocottes en même temps, placez-les sur des brûleurs décalés. Ne bloquez pas la circulation d'air autour des brûleurs. La flamme a besoin d'une certaine quantité d'air pour bien brûler.
- Mettez un couvercle sur la cocotte lorsque vous portez son contenu à ébullition.
- Quand le contenu bout au réglage HI, baissez la flamme le plus possible pour maintenir à ébullition ou maintenir la pression.
- La cuisson à la cocotte produit de grandes quantités de vapeur. Faites attention pour ne pas vous brûler.

Conseils de cuisson

Consultez le tableau de la [page 15](#) pour vous guider. Les réglages à utiliser varient selon l'ustensile choisi et la température initiale des aliments.

Dans le tableau, le « Réglage final » est séparé pour les brûleurs standards et les brûleurs ExtraLow^{mc}. Selon le cas, ce réglage sera identique ou différent.

Le réglage ExtraLow des brûleurs STAR^{mc} peut être un réglage de cuisson ou de maintien de température.

Augmentez ou diminuez la flamme progressivement. Laissez le temps au récipient et aux aliments de réagir au nouveau réglage.

Conseils de cuisson – Brûleurs de la table de cuisson

ALIMENTS	RÉGLAGE INITIAL	RÉGLAGE FINAL – BRÛLEURS STANDARDS	RÉGLAGE FINAL – BRÛLEURS (XLO)
BOISSONS Cacao	MED – Chauffer le lait, couvrir	SIM – Finir de chauffer	XLO – Maintenir au chaud, couvrir*
PAIN Pain doré Crêpes Sandwiches grillés	MED – Préchauffer le poêlon	SIM à MED – cuire	Identique aux brûleurs standards
BEURRE À fondre	SIM – pour commencer à faire fondre	XLO - Pour maintenir la température*	Laisser fondre pendant 5 à 10 minutes
CÉRÉALES Semoule de maïs, gruau, avoine	HI – Couvrir, porter l'eau à ébullition, ajouter les céréales	SIM à MED – terminer la cuisson selon les instructions sur l'emballage.	XLO – Pour maintenir la température, couvrir*
CHOCOLAT À fondre	XLO – peut être remué pour faire fondre plus vite	Utiliser XLO	XLO – Laisser fondre pendant 10 à 15 minutes. XLO – Pour maintenir la température*
DESSERTS Bonbons	SIM à MED – cuire selon la recette	SIM à MED	Identique aux brûleurs standards
Pouding et mélange pour garniture à tarte	SIM à MED SIM – suivre les indications sur l'emballage	SIM	Identique aux brûleurs standards
Pudding	SIM à MED SIM – Faire bouillir le lait	SIM	Identique aux brûleurs standards
OEUFS À la coque	MED HI – couvrir les œufs avec de l'eau, couvrir, porter l'eau à ébullition	Utiliser XLO	XLO – 3 à 4 minutes pour œufs mollets; 15 à 20 minutes pour œufs durs
Frits, brouillés	SIM à MED – Faire fondre le beurre, ajouter les œufs	SIM – pour terminer la cuisson	Identique aux brûleurs standards
Pochés	HI – Porter à ébullition, ajouter les œufs	SIM à MED – pour terminer la cuisson	Identique aux brûleurs standards
VIANDE, POISSON, VOLAILLES Bacon, Saucisses, galettes	HI – Jusqu'à ce que la viande commence à grésiller	SIM à MED – pour terminer la cuisson	Identique aux brûleurs standards
Braiser : steak suisse, rôti à la cocotte, ragoût	MED HI – Faire fondre la graisse, faire revenir à MED HI à HI , ajouter du liquide, couvrir		XLO Laisser mijoter jusqu'à ce que la viande soit tendre
Grillade rapide au poêlon; steaks pour déjeuner	MED HI – préchauffer le poêlon	MED à MED HI – frire rapidement au poêlon	Identique aux brûleurs standards
Friture : poulet	MED HI – Faire chauffer l'huile puis faire dorer à MED	SIM – couvrir pour terminer la cuisson	Identique aux brûleurs standards
Grande friture : crevettes	MED HI – Faire chauffer l'huile	MED à MED HI – pour maintenir la température	Identique aux brûleurs standards

ALIMENTS	RÉGLAGE INITIAL	RÉGLAGE FINAL – BRÛLEURS STANDARDS	RÉGLAGE FINAL – BRÛLEURS (XLO)
Grillade au poêlon : côtelettes d'agneau, steaks minces, hamburgers, saucisses en chapelet	MED HI – Préchauffer le poêlon	MED – pour brunir la viande	Identique aux brûleurs standards XLO – pour maintenir
Pocher : poulet, entier ou morceaux, poisson	MED HI – Couvrir, porter à ébullition		Pour terminer la cuisson
Faire mijoter : poulet à l'étouffée, corned-beef, langue, etc.	HI – Couvrir, porter à ébullition		Laisser mijoter
PÂTES Macaronis, nouilles, spaghettis	HI – Porter l'eau à ébullition, ajouter les pâtes	MED à HI – pour maintenir à ébullition	Identique aux brûleurs standards
COCOTTE-MINUTE Viande	MED HI à HI – faire monter la pression	SIM à MED – maintenir la pression	Identique aux brûleurs standards
Légumes	HI – faire monter la pression	MED SIM à MED – maintenir la pression	Identique aux brûleurs standards
RIZ	HI – Couvrir, porter l'eau et le riz à ébullition.	Réduire la chaleur à SIM . Couvrir et faire cuire jusqu'à ce que l'eau soit absorbée	Faire cuire selon les instructions du sachet XLO – Pour maintenir la chaleur, couvrir
SAUCES Sauce tomate	MED HI – cuire la viande/les légumes selon la recette	SIM pour faire mijoter	XLO – laisser mijoter sans couvercle pour que la sauce épaississe
Sauce blanche, à la crème, béarnaise	MED – Faire fondre la graisse, suivre la recette	SIM – pour terminer la cuisson	XLO – Pour maintenir la chaleur, couvrir*
Hollandaise	XLO		XLO – Pour maintenir la chaleur, réglage le plus bas
SOUPES, BOUILLONS	HI – Couvrir, porter à ébullition	SIM pour faire mijoter	Mijoter à XLO – Pour maintenir la chaleur, couvrir*
LÉGUMES Frais	HI – Couvrir, porter l'eau et les légumes à ébullition	SIM à MED – faire cuire 10 minutes ou jusqu'à ce qu'ils soient tendres	XLO – pour maintenir la chaleur, couvrir
Congelés	HI – Couvrir, porter l'eau et les légumes à ébullition	SIM à MED – faire cuire selon les instructions du paquet	Identique aux brûleurs standards
Grande friture	HI – Faire chauffer l'huile	MED à MED HI – pour conserver la température de friture	Identique aux brûleurs standards
Sautés	MED HI – Faire chauffer l'huile ou faire fondre le beurre, ajouter les légumes	SIM à MED – laisser cuire jusqu'au point de cuisson désiré	Identique aux brûleurs standards
Revenus à la poêle	HI – Faire chauffer l'huile, ajouter les légumes	HI à HI – pour terminer la cuisson	Identique aux brûleurs standards

Utilisation de la plaque chauffante électrique

(disponible avec certains modèles)

Description

La plaque chauffante encastrée est faite d'aluminium de qualité professionnelle avec un fini antiadhésif (sans PTFE ou APFO). Ce qui donne une surface facile à nettoyer où la chaleur se répand de façon uniforme.

Une planche à découper en érable, un couvercle en acier inoxydable et un gril avec revêtement en aluminium sont disponibles comme accessoires et peuvent être achetés séparément. La planche à découper en érable et le couvercle en acier inoxydable sont conçus pour s'ajuster à la surface lorsque la plaque n'est pas utilisée. Le gril avec revêtement en aluminium est conçu pour remplacer la plaque chauffante. Consultez les instructions de la plaque chauffante pour obtenir de plus amples détails.

La planche à découper et le couvercle doivent être enlevés avant d'utiliser la plaque chauffante.

AVERTISSEMENT!

L'élément de la plaque chauffante reste chaud après utilisation. Prévoyez suffisamment de temps pour que tous ses composants refroidissent avant de les nettoyer.

MISE EN GARDE!

Pour éviter tout risque de blessure, n'utilisez **JAMAIS** la plaque chauffante sans sa plaque. N'utilisez **JAMAIS** la plaque chauffante d'une manière non indiquée dans le guide d'entretien et de maintenance.

N'utilisez jamais la plaque d'une façon autre que ce qui est indiqué dans le guide d'utilisation et d'entretien.

Le plateau (ou le gril) doit toujours être en place lors de l'utilisation de la plaque chauffante.

- La tension d'alimentation nominale de l'élément de la plaque chauffante est de 120 VAC, 1630 watts.
- La plaque chauffante est ajustée électroniquement aux températures indiquées sur les boutons, de 150°F à 500°F (66°C à 260°C).
- Il n'y a pas de réglages fixes sur les boutons.
- Appuyez et tournez les boutons dans le sens horaire pour obtenir le réglage désiré.

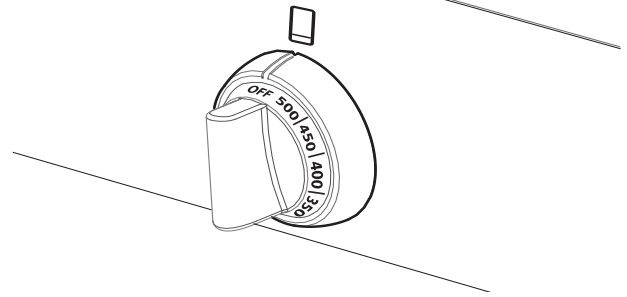


Figure 16 : Bouton de commande de la plaque chauffante

Préparation de la plaque

Assurez-vous que la plaque chauffante est bien ajustée en versant deux cuillerées d'eau à l'arrière de la plaque. L'eau devrait lentement couler vers les collecteurs de graisse. Autrement, ajustez les deux vis situées sous la plaque, à l'arrière de celle-ci. Commencez par dévisser les vis d'un demi-tour. Les ajustements subséquents devraient se faire par quart de tour jusqu'à ce que l'eau coule dans les collecteurs de graisse.

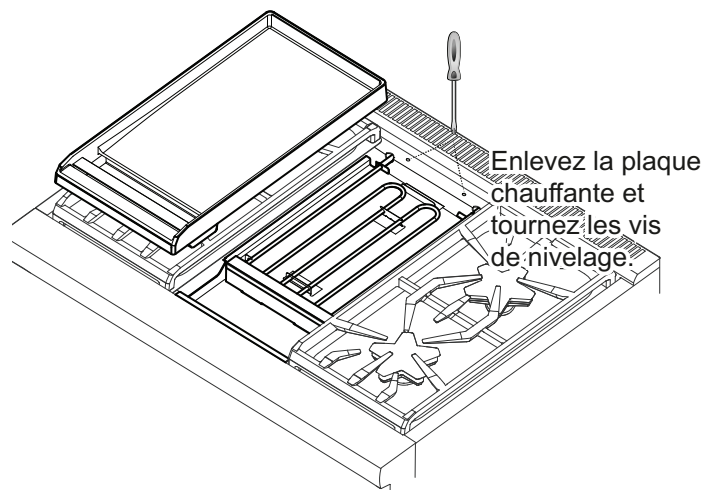


Figure 17 : Vis de nivelage de la plaque chauffante

Avant d'être utilisée, la plaque chauffante doit être lavée à l'eau chaude savonneuse, puis rincée à l'eau claire. La plaque peut être utilisée sans beurre, margarine ou huile. Toutefois, une petite quantité peut être utilisée pour donner du goût aux aliments.

Tous les types d'ustensiles peuvent être utilisés sur la plaque. Prenez garde de ne pas endommager la surface avec les ustensiles. Ne coupez pas directement d'aliments sur la plaque chauffante.

AVIS:

Le rendement de la plaque chauffante ou du gril peut varier si la circulation d'air près de l'appareil est trop élevée. Une circulation d'air excessive pourrait provenir d'un ventilateur de plafond ou d'un appareil de climatisation soufflant sur la surface de cuisson. Cela pourrait prolonger le temps d'échauffement ou faire en sorte que la température de la plaque chauffante ne corresponde pas à ce que le réglage des boutons de commande indique.

Conseils de cuisson – Plaque chauffante

ALIMENT	RÉGLAGE
Œufs	325°F – 350°F (160°C – 180°C)
Bacon, saucisses à déjeuner	450°F – 475°F (230°C – 245°C)
Sandwichs grillés	375°F – 400°F (190°C – 200°C)
Poitrines de poulet désossées	425°F – 450°F (220°C – 230°C)
Côtelettes de porc désossées de 1 po (25,4 mm) d'épaisseur	425°F – 450°F (220°C – 230°C)
Steaks de 1 po (25,4 mm) d'épaisseur	450°F – 475°F (230°C – 245°C)
Boulettes de bœuf haché de 6 onces	450°F – 475°F (230°C – 245°C)
Boulettes de dinde hachée, 6 onces	450°F – 475°F (230°C – 245°C)
Hot Dogs	350°F – 375°F (180°C – 190°C)
Tranches de jambon de 1/2 po (12,7 mm) d'épaisseur	350°F – 375°F (180°C – 190°C)
Crêpes, pain doré	400°F – 425°F (200°C – 220°C)
Pommes de terre, pommes de terre rissolées	400°F – 425°F (200°C – 220°C)

* Pour garantir une cuisson uniforme, assurez-vous que l'épaisseur des aliments est plus ou moins égale partout.

Plateau à graisse de la plaque chauffante

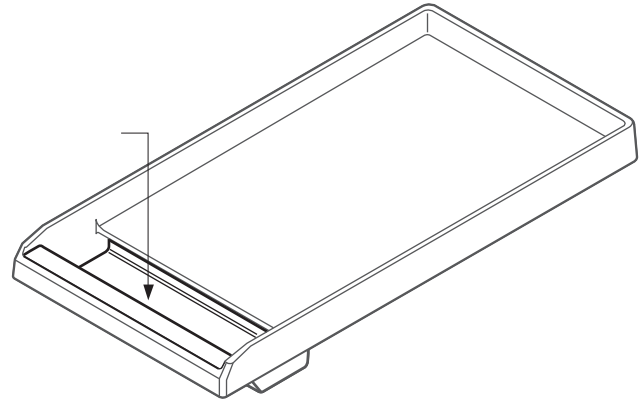


Figure 18 : Plateau à graisse

- Nettoyez le plateau à graisse après chaque utilisation. Lorsque vous le retirez en l'inclinant, faites attention pour ne pas que son contenu se déverse.
- Le plateau de la plaque chauffante et son plateau à graisse sont lavables au lave-vaisselle.
- Lorsqu'elle a refroidi, versez la graisse dans un contenant résistant à la graisse avant de la jeter.

Cuisson sur la plaque chauffante

1. Tournez le bouton à la température de cuisson appropriée pour préchauffer la plaque chauffante.
2. Préchauffez-la jusqu'à ce que le témoin de la plaque s'éteigne.
3. Ajoutez du beurre, de la margarine, de l'huile ou de la graisse végétale, si désiré.

NOTE:

Une hotte dûment installée n'est pas considérée comme une source de circulation d'air excessive.

Utilisation du gril électrique

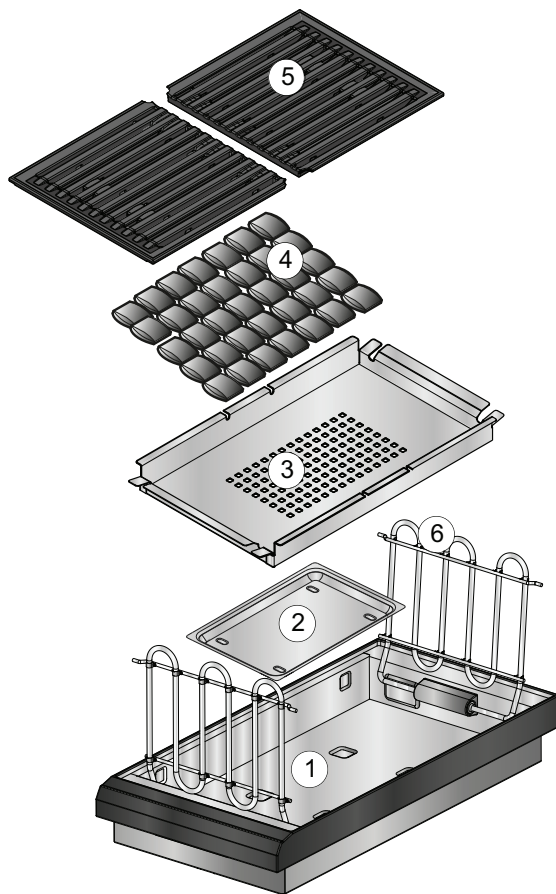
(disponible sur certains modèles)

Description

Les grilles du gril encastrable sont faites de fonte de qualité professionnelle. Ce métal fait en sorte que les grilles répartissent uniformément la chaleur et sont faciles à nettoyer.

Il est possible d'installer une plaque chauffante de fonte antiadhérente sans PTFE (*PAGRIDDLEN*), vendue séparément. Consultez les instructions de l'accessoire de la plaque chauffante pour obtenir plus de détails.

Assemblage du gril



1. Boîtier du gril
2. Plateau à graisse du gril
3. Panier des briquettes de céramique
4. Briquettes de céramique
5. Grilles du gril (x2)
6. Éléments (x2)

1. Effectuez la rotation des éléments (6) et enlevez le briquettes de céramique (3) se trouvant à l'intérieur du boîtier du gril (1).
2. Installez le plateau à graisse (2) sous le boîtier du gril (1). (Le plateau à graisse est emballé dans la grande boîte en carton qui se trouvait sur le dessus de la cuisinière.) Alignez les saillies du plateau à graisse (2) avec les cavités situées sous le boîtier (1).
3. Mettez le briquettes de céramique (4) dans le boîtier du gril (1).
4. Disposez les briquettes de céramique (4) dans le panier à briquettes (3), en une seule couche, de façon à ce que chacune d'elles touche les autres briquettes adjacentes. Les briquettes de céramique ne doivent pas entrer en contact avec les éléments chauffants.
5. Rabattez les deux éléments chauffants du gril vers le bas (6). Les éléments chauffants du gril doivent être à plat. Les supports doivent reposer à l'intérieur des crans latéraux.
6. Installez les grilles du gril (5). Assurez-vous que les grilles sont installées de niveau dans le boîtier du gril (1).

⚠ AVERTISSEMENT!

- Pour éviter tout risque de blessure, ne faites **JAMAIS** fonctionner le gril s'il n'y a pas de grilles ou de plaque chauffante installées.
- Ne laissez **JAMAIS** le gril sans surveillance lorsque vous cuisinez.
- Faites attention lorsque vous utilisez de l'huile et de la graisse. Lorsqu'ils sont surchauffés, les huiles et la graisse peuvent provoquer des incendies.
- N'utilisez **PAS** de copeaux de bois, pierres de lave, ou de briquettes de charbon. N'utilisez que les briquettes de céramique (*PABRICKBKN*) recommandées.
- N'utilisez **PAS** de plats, casseroles, poêlons ou autre ustensile sur le gril.
- **N'utilisez jamais du papier d'aluminium pour couvrir les grilles ou envelopper le gril.** Vous pourriez endommager le gril et causer un incendie si de la chaleur reste emprisonnée.
- Vérifiez le plateau à graisse avant chaque utilisation. Une trop grande quantité de graisse dans le plateau peut causer un risque d'incendie.
- Si des flammes apparaissent, nettoyez le gras accumulé sur les grilles, le plateau à graisse, le panier des briquettes de céramique et les autres surfaces.
- L'accumulation de graisse favorise la formation de flammes et de fumée pendant la cuisson.
- Vous devez remplacer les briquettes de céramique lorsqu'elles sont noires, ce qui signifie qu'elles sont saturées de gras. Elles peuvent alors générer beaucoup de fumée ou prendre feu pendant le fonctionnement de l'appareil.

IMPORTANT :

- Si des flammes se forment pendant l'utilisation du gril, éteignez l'appareil et retirez les aliments. Prenez garde de ne pas vous blesser lorsque vous retirez les aliments.
- Souvent, les flammes s'éteignent d'elles-mêmes en quelques minutes une fois que les accumulations de graisse se sont consumées. Ne laissez pas le gril sans surveillance avant que les flammes ne se soient éteintes. Vous pouvez étouffer les flammes en les saupoudrant d'une généreuse couche de bicarbonate de soude ou de sel.
- Si des flammes se forment, vous devriez remplacer les pierres à lave ou les briquettes de céramique et nettoyer le gras accumulé sur les grilles, le plateau à graisse, le panier briquettes de céramique et les autres surfaces avant d'utiliser à nouveau le gril. Les accumulations de graisse favorisent la formation de flammes et de fumée pendant la cuisson.
- Séchez les aliments humides avant de les mettre sur le gril.
- Plus un aliment est humide, plus il est susceptible de produire de la fumée.
- Lorsque vous utilisez le gril, la graisse qui s'échappe des aliments peut s'enflammer brièvement.



AVERTISSEMENT!

POUR ÉVITER TOUT RISQUE DE BRÛLURE :

- Utilisez les ustensiles appropriés avec de longues poignées qui vous permettent de manier les aliments loin de la chaleur et des flammes.
- **NE** portez **PAS** de vêtements amples lorsque vous cuisinez.
- Ne laissez jamais le gril sans surveillance lorsque vous cuisinez.
- Après chaque utilisation, enlevez les accumulations de graisse sur la surface du gril et dans les plateaux à graisse pour réduire les risques d'incendie. Vous devriez également nettoyer régulièrement la hotte et les surfaces adjacentes au gril selon les recommandations du manuel d'utilisation.
- Gardez un extincteur à portée de la main.

Fonctionnement du gril

1. Avant d'allumer l'appareil, assurez-vous qu'il y a des briquettes de céramique l'appareil et que les deux grilles du gril sont correctement installées.
2. Appuyez sur le bouton de réglage de température et tournez-le.

- Les commandes électroniques du gril permettent d'ajuster l'intensité de LOW à HIGH. Les boutons ne sont pas munis de réglages fixes.
 - Les deux éléments chauffants du gril peuvent être ajustés séparément. Cela vous permet de faire griller des aliments à deux températures différentes en même temps. Aussi, vous pouvez utiliser une partie pour faire griller les aliments et l'autre partie pour les garder chauds.
3. Lors de la première utilisation, faites chauffer le gril pendant environ dix minutes pour éliminer les résidus de fabrication et libérer les mauvaises odeurs.
 4. Pour obtenir de meilleurs résultats, préchauffez le gril avant de faire cuire des aliments.
 5. Une fois que le bouton est mis à la position OFF, le témoin lumineux du gril électrique reste allumé pendant environ cinq minutes pour indiquer la présence de chaleur résiduelle.

Conseils de grillade

- Préchauffez toujours le gril. Lorsque vous cuisinez à la puissance maximale, préchauffez le gril à HIGH pendant dix minutes. Lorsque vous cuisinez à intensité moyenne, préchauffez le gril à HIGH pendant cinq minutes, puis réduisez la température une fois que les aliments sont sur le gril.
- Faites tremper les brochettes de bois dans de l'eau pendant au moins 20 minutes avant de les mettre sur le gril.
- Avant de faire griller des aliments, vous pouvez les badigeonner d'huile résistant à la chaleur (comme de l'huile d'arachides) ou les faire mariner. Assurez-vous de ne pas utiliser trop d'huile ou de marinade, sans quoi les aliments pourraient prendre feu et produire beaucoup de fumée.
- Déposez les aliments directement sur les grilles du gril. N'utilisez pas de papier d'aluminium ou de plateaux.
- La viande salaisonnée, comme le jambon ou les côtelettes de porc fumées, n'est pas faite pour être grillée. Des composés chimiques mauvais pour la santé peuvent se former lors de leur cuisson sur le gril.
- Pour éviter que les aliments ne s'enflamment, enlevez l'excédent de gras avant de les faire griller.
- N'utilisez PAS de produits nettoyants sur les éléments. S'il y a de la graisse sur les éléments, laissez-leur le temps de brûler.
- Pour absorber le gras de la plaque chauffante, saupoudrez-la avec du gros sel après chaque utilisation.

Recommandations pour la cuisson sur le gril

IMPORTANT :

- **VOUS NE DEVRIEZ PAS UTILISER LE GRIL SANS UNE VENTILATION ADÉQUATE.**
- **Vous ne devriez pas préparer d'aliments à forte teneur en gras sur un gril intérieur. Le fait de faire griller des aliments à forte teneur en gras (comme certains types de bœuf haché, saucisses, etc.) augmente les possibilités de formation de fumées et de flammes.**

ALIMENT*	RÉGLAGE**	TEMPS DE CUISSON (MINUTES)	NOTES
Bœuf			
Hamburgers, ¾" (2 cm) (à point)	HIGH	12 – 14	Tourner une fois que du jus apparaît à la surface.
Steak d'ailon, 1½" (4 cm) (à point)	HIGH	20 – 22	Enlever l'excédent de graisse.
Faux-filet ou surlonge, 1" (3 cm) (à point)	HIGH	10 – 12	Enlever l'excédent de graisse.
Brochettes, steak (à point)	HIGH	24 – 28	Tourner de temps en temps.
Porc			
Pork chops, ¾" (2 cm)	HIGH	16 – 20	Enlever l'excédent de graisse.
Sausages or Bratwurst	MED HIGH	16 – 20	Perçer avant de griller.
Hot Dogs	HIGH	6 – 8	Placer horizontalement sur le gril.
Volaille			
Cuisses et pilons	MED HIGH	34 – 38	Tourner de temps en temps, enlever l'excédent de peau.
Ailes de poulet, entières	MED HIGH	18 – 22	Tourner de temps en temps.
Poitrines de poulet sans os, ½" (1 cm)	MED HIGH	20 – 24	Couper en filets de la même épaisseur avant de faire cuire.
Brochettes, poulet	HIGH	30 – 33	Tourner de temps en temps.
Fruits de mer			
Darnes, 2" (6 cm)	MED HIGH	18 – 20	Badigeonner d'huile avant de faire griller.
Filets de poisson, ¾" (2 cm)	MED HIGH	16 – 20	Badigeonner d'huile avant de faire griller.
Brochettes de crevettes	MED HIGH	10 – 14	Tourner de temps en temps.
Fruits et légumes frais			
Champignons portobello	HIGH	8 – 10	Badigeonner d'huile.
Poivrons, quartiers	HIGH	8 – 10	Tourner de temps en temps.
Aubergine en tranches, ½" (1 cm)	HIGH	8 – 10	Badigeonner avec un peu d'huile.
Tomates, coupées en deux	HIGH	8 – 10	Badigeonner d'huile.
Ananas en tranches	HIGH	4 – 6	—
Pêches, coupées en deux	HIGH	4 – 6	—
Autre			
Pains à hot dog ou hamburger	MED HIGH	4 – 6	Badigeonner de beurre.
Tofu ferme en tranches	MED HIGH	8 – 12	Mettre en brochette pour une grillade facile.

* Pour une cuisson uniforme, veuillez bien répartir les aliments sur la surface de cuisson.

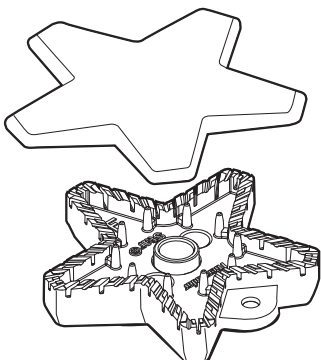
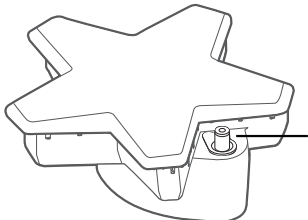
** Les réglages apparaissant dans le tableau ne devraient être considérés que comme des lignes directrices puisque la quantité de chaleur requise peut varier selon le type et l'état des aliments.

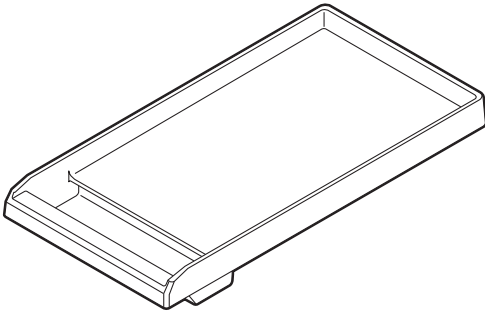
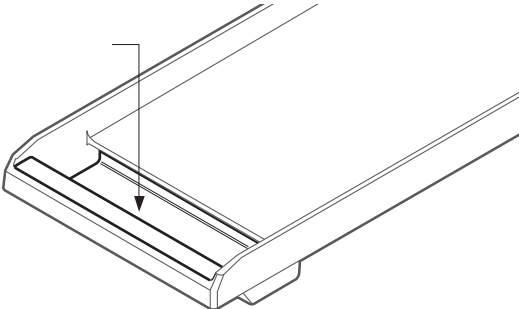
Nettoyage

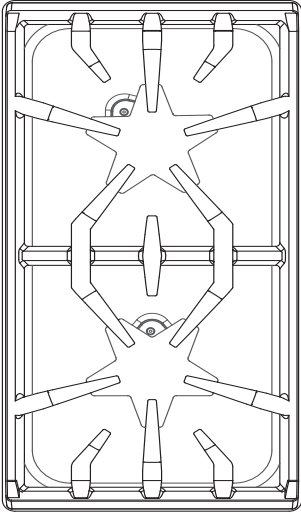
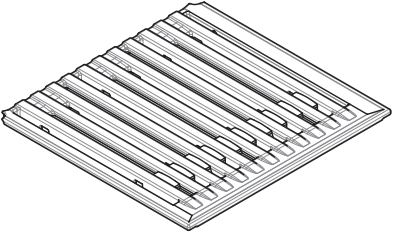
Marques de produit

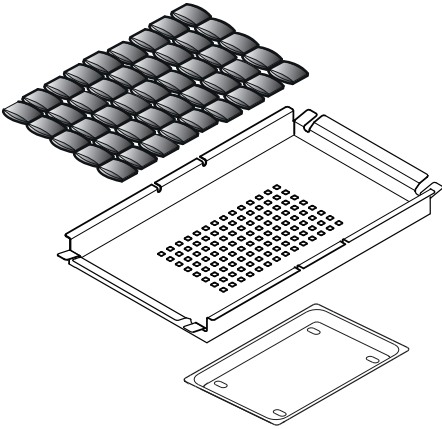
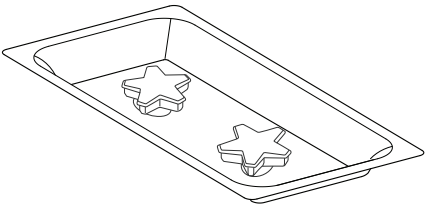
Les marques de produits utilisées sont destinées à indiquer un type de produit nettoyant et non à en faire la promotion. L'omission d'une marque ne signifie pas qu'elle convient ou ne convient pas. De nombreux produits sont distribués à grande échelle et il est possible de les trouver localement. Il est essentiel que les produits soient utilisés conformément à leur mode d'emploi. Le tableau suivant fournit des directives pour nettoyer la cuisinière.

Recommandations pour le nettoyage

PIÈCE/MATÉRIAU	PRODUITS NETTOYANTS SUGGÉRÉS
<p>Couvercle en fonte et base des brûleurs STAR^{mc} en laiton</p> 	<ul style="list-style-type: none">• Brosse à dents à soies dures en nylon pour le nettoyage des orifices.• Une fois le nettoyage terminé, veillez à ce que le couvercle du brûleur STAR soit correctement logé sur sa base.• Ne frottez PAS et n'agrandissez pas les orifices du couvercle de brûleur STAR.• Produits nettoyants suggérés; rincez et séchez à fond :<ul style="list-style-type: none">-- Eau chaude savonneuse-- Bon-ami[®]-- Cameo[®] Aluminum and Stainless Steel Cleaner-- Wright's[®] All Purpose Brass Polish-- Kleen King[®]
<p>Allumeurs Céramique</p> 	<ul style="list-style-type: none">• N'employez PAS d'outils pointus pour frotter les allumeurs. Les allumeurs sont fragiles. Si l'un d'entre eux est endommagé, il se pourrait qu'il ne puisse allumer le brûleur STAR.• Produits nettoyants suggérés :<ul style="list-style-type: none">-- Utilisez un coton-tige trempé dans l'eau-- Fantastik[®]
<p>Boutons de commande / métal Enjoliveurs / chrome Grilles de four coulissantes / chrome</p>	<ul style="list-style-type: none">• Ne faites PAS tremper les boutons.• Ne forcez PAS les boutons sur une mauvaise tige de valve.• Produits nettoyants suggérés :<ul style="list-style-type: none">-- Utilisez un coton-tige trempé dans l'eau

PIÈCE/MATÉRIAU	PRODUITS NETTOYANTS SUGGÉRÉS
<p>Fini extérieur/protecteur arrière Acier inoxydable</p>	<ul style="list-style-type: none"> • L'acier inoxydable résiste à la plupart des taches d'aliments et piqûres, pourvu que la surface soit gardée propre et protégée. • Frottez légèrement dans le sens du poli. • Le chlore ou les composés de chlore de certains produits nettoyants sont corrosifs pour l'acier inoxydable. Vérifiez les ingrédients sur l'étiquette. • Produits nettoyants suggérés; rincez et séchez à fond : <ul style="list-style-type: none"> -- Eau chaude savonneuse -- Fantastik® -- Siege® Stainless Steel and Aluminum Cleaner -- Kleen King® Stainless Steel Liquid Cleaner -- Poli de nettoyage : Stainless Steel Magic^{mc} pour protéger le fini des taches et piqûres ; améliore l'apparence. -- THERMADOR Stainless Steel Conditioner (0057669) -- Taches d'eau dure : Vinaigre. • Décoloration due à la chaleur; rincez et séchez à fond : <ul style="list-style-type: none"> -- Cameo® -- Barkeepers Friend® -- Zud® -- Wright's® All Purpose Brass Polish
<p>Plaque chauffante Aluminium avec revêtement anti-adhésif</p> 	<ul style="list-style-type: none"> • N'immergez JAMAIS une plaque chauffante chaude dans l'eau froide. La plaque d'aluminium pourrait gondoler ou se fissurer. • Ne nettoyez AUCUNE partie du gril ou de la plaque chauffante dans le four en mode autonettoyage. • Essuyez la surface de la plaque chauffante à l'eau tiède savonneuse, puis rincez à l'eau tiède. Essuyez avec un chiffon doux. • Si des particules alimentaires collent à la plaque, éliminez-les à l'aide d'un nettoyant abrasif doux comme Soft Scrub^{mc}. • Produits nettoyants suggérés; rincez et séchez à fond : <ul style="list-style-type: none"> -- Eau chaude savonneuse -- mettez-le au lave-vaisselle -- Soft Scrub®
<p>Plateau récupérateur de graisse de la plaque chauffante Aluminium avec revêtement anti-adhésif</p> 	<ul style="list-style-type: none"> • Retirez le plateau récupérateur de graisse et versez la graisse dans un contenant résistant aux graisses pour mise au rebut. Lavez le plateau récupérateur dans l'eau tiède savonneuse ou mettez-le au lave-vaisselle. • Videz le plateau récupérateur de graisse après chaque utilisation. • Produits nettoyants suggérés; rincez et séchez à fond : <ul style="list-style-type: none"> -- Eau chaude savonneuse -- Mettez-le au lave-vaisselle -- Soft Scrub®

PIÈCE/MATÉRIAU	PRODUITS NETTOYANTS SUGGÉRÉS
<p>Grilles Porcelaine émaillée sur fonte</p> 	<ul style="list-style-type: none"> • Les grilles sont lourdes ; soyez prudent lorsque vous les soulevez. Déposez-les sur une surface protégée. • Compte tenu de la texture rugueuse des grilles, des dépôts en aluminium du dessous des poêlons peuvent parfois se détacher et remplir les espaces entre les rayures des grilles. Faites attention lorsque vous cuisinez avec des poêlons et casseroles en laiton et en aluminium, car ces types de plats peuvent parfois laisser des dépôts de métal sur les grilles. • Lors de températures extrêmes et de change-ments rapides de température, on retrouve couramment des ampoules/craquelures/ éclats sur les tiges des grilles. • Les déversements acides et chargés en sucre détériorent l'émail. Éliminez-les sans tarder. • Les produits nettoyants abrasifs, utilisés trop vigoureusement ou trop souvent, peuvent éventuellement rayer l'émail. • Produits nettoyants suggérés; rincez et séchez à fond : <ul style="list-style-type: none"> -- Eau chaude savonneuse -- Fantastik® -- Bon-ami® -- Soft Scrub® • Abrasifs pour les taches tenaces; rincez et séchez à fond : <ul style="list-style-type: none"> -- Tampon de laine d'acier savonneux -- Lestoil® -- Autre produit dégraissant • Dépôts de métal : <ul style="list-style-type: none"> -- Éponge à récurer Scotch Brite -- Laine d'acier
<p>Grilles du gril Porcelaine émaillée sur fonte</p> 	<ul style="list-style-type: none"> • Nettoyez les grilles après chaque utilisation. • Placez la grille du gril dans l'évier et versez de l'eau bouillante sur la grille. Mettez un linge à vaisselle sur le dessus de la grille et versez de l'eau bouillante sur le linge. Laissez tremper les résidus. Grattez tous les débris avec un tampon à récurer savonneux. • Abrasifs pour les taches tenaces : Soft Scrub®. • Produits nettoyants suggérés; rincez et séchez à fond : <ul style="list-style-type: none"> -- Eau chaude savonneuse -- Mettez-le au lave-vaisselle -- Soft Scrub® -- Brosse à fils en laiton doux pour les taches tenaces. Les brosses à fils de fer rigides peuvent égratigner le recouvrement de porcelaine des grilles et causer leur oxydation prématurée. • Abrasifs pour les taches tenaces; rincez et séchez à fond : <ul style="list-style-type: none"> -- Tampon de laine d'acier savonneux -- Lestoil® -- Autre produit dégraissant

PIÈCE/MATÉRIAU	PRODUITS NETTOYANTS SUGGÉRÉS
<p>Briquettes de céramique, Briquettes de céramique, et Plateau à graisse du gril</p> 	<ul style="list-style-type: none"> • Briquettes de céramique de nettoyage <ol style="list-style-type: none"> 1) Placez doucement les briquettes de céramique saturées de gras dans un grand contenant de six litres ou plus. 2) Remplissez le contenant d'eau propre de façon à ce que les briquettes soient couvertes par au moins un demi-pouce d'eau. 3) Portez l'eau à ébullition et laissez-la bouillir pendant 10 minutes. 4) Éteignez le feu et laissez l'eau refroidir jusqu'à une température sécuritaire. 5) Débarrassez-vous de l'eau et tapotez les briquettes avec de vieilles serviettes ou des essuie-tout pour les sécher. 6) Laissez sécher les briquettes à l'air ambiant pendant au moins deux heures. Il se peut qu'il y ait des taches de graisse permanentes sur les briquettes après le nettoyage. 7) Remettez les briquettes propres et sèches dans le gril avant de le réutiliser. • Vous pouvez vous procurer de nouvelles briquettes de céramique à la boutique électronique de THERMADOR (numéro de commande : <i>PABRICKBKN</i>). Consultez le verso pour obtenir des renseignements sur le soutien technique. <p>! MISE EN GARDE :</p> <ul style="list-style-type: none"> • Vous devez remplacer les briquettes de céramique lorsqu'elles sont noires, ce qui signifie qu'elles sont saturées de gras. Elles peuvent alors générer beaucoup de fumée ou prendre feu pendant le fonctionnement de l'appareil. • Produits nettoyants recommandés pour le panier et le plateau à graisse; rincez et séchez à fond : <ul style="list-style-type: none"> -- Eau chaude savonneuse -- Mettez-le au lave-vaisselle
<p>Plateau collecteur de surface / bandes de garniture</p> <p>Porcelaine émaillée (fini lustré)</p> 	<ul style="list-style-type: none"> • Frottez délicatement car ces produits pourraient érafler le fini. Rincez à fond et essuyez avec un chiffon doux. • Pour les aliments carbonisés, utilisez des tampons de fibre ou de laine d'acier imbibés de savon, tels que S.O.S.^{mc} ou Brillo^{mc}. Humidifiez le tampon et frottez délicatement. Soyez prudent car les tampons peuvent érafler le fini. Rincez à fond et essuyez avec un chiffon doux. • Produits nettoyants suggérés; rincez et séchez à fond : <ul style="list-style-type: none"> -- Eau chaude savonneuse -- Soft Scrub[®] -- Bar Keeper's Friend[®] -- Bon-ami[®] -- Comet[®] -- Ajax[®] • Abrasifs pour les taches tenaces; rincez et séchez à fond : <ul style="list-style-type: none"> -- utilisez des tampons de fibre ou de laine d'acier imbibés de savon

Avant d'appeler le service technique

Avant d'appeler le service technique, vérifiez les points suivants afin d'éviter des frais inutiles.

Vérifiez d'abord les points suivants :

- Y a-t-il une panne de courant dans le quartier?
- Les fusibles ont-ils sauté ou le disjoncteur s'est-il déclenché?
- La table de cuisson est-elle débranchée?

Si les brûleurs ne s'allument pas

- Les chapeaux des brûleurs sont-ils correctement alignés et posés sur les bases des brûleurs?
- Les orifices des brûleurs sont-ils bouchés?
- Un fusible a-t-il sauté ou le disjoncteur s'est-il déclenché?
- Le robinet manuel de coupure du gaz est-il fermé, empêchant l'arrivée de gaz?

Plaque signalétique

La plaque signalétique qui indique le numéro de modèle et le numéro de série de votre table de cuisson se trouve sous le rebord de la table de cuisson, près de la partie avant de la table de cuisson. Ces renseignements sont requis si vous voulez recevoir du service à la clientèle. Avant l'installation, vous devriez inscrire dans les espaces appropriés de cette page le numéro du modèle et le numéro de série. Il est difficile d'avoir accès à ces renseignements une fois que l'installation est terminée.

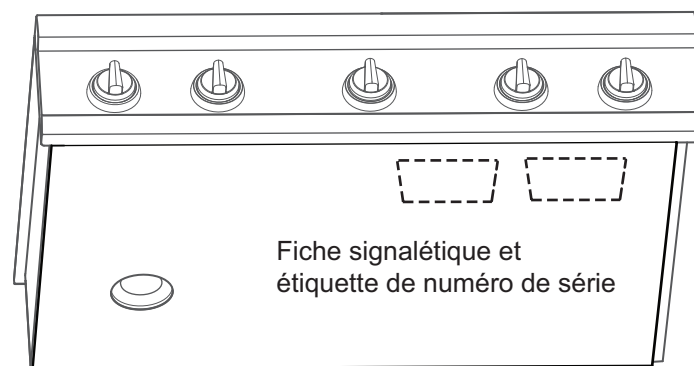


Figure 19 : Emplacement de la plaque signalétique

Renseignements pour le service technique

Pour une consultation facile, copiez les renseignements ci-dessous se trouvant sur la plaque signalétique. Conservez votre facture pour que votre garantie soit valide.

Numéro du modèle _____

Numéro de série _____

Date d'achat _____

Complétez également la carte d'enregistrement du produit comprise avec ce produit.

Enregistrez votre appareil auprès de BSH afin de vous assurer un service rapide et l'accès aux renseignements qui concernent votre appareil. Vous pouvez enregistrer votre appareil de l'une des façons suivantes :

1. Envoyez par la poste votre carte d'enregistrement de produit THERMADOR^{mc} complétée.
2. Enregistrez votre produit en ligne à l'adresse www.thermador.ca.
3. Communiquez avec le service à la clientèle de THERMADOR au numéro 1-800-735-4328.

Dépannage

SYMPTÔME	CAUSE PROBABLE	SOLUTION
Production intermittente d'étincelles	<ul style="list-style-type: none"> • L'allumeur en céramique est mouillé ou sale. • Les orifices du brûleur sont bouchés. 	<ul style="list-style-type: none"> • Séchez ou nettoyez soigneusement l'allumeur. • Nettoyez les orifices de répartition de la flamme à l'aide d'un fil métallique, d'une aiguille ou d'un trombone déplié.
Plus de quatre déclics de l'allumeur avant que la flamme ne s'allume	<ul style="list-style-type: none"> • Le chapeau du brûleur est mal posé sur sa base. 	<ul style="list-style-type: none"> • Alignez bien le chapeau du brûleur sur la base du brûleur.
Production constante d'étincelles	<ul style="list-style-type: none"> • La mise à la terre de la cuisinière a été mal faite. • L'alimentation électrique est mal polarisée. 	<ul style="list-style-type: none"> • Consultez les Instructions d'installation. Appelez un électricien qualifié pour qu'il effectue une mise à la terre adéquate pour la cuisinière.
Les dispositifs d'allumage produisent des étincelles, mais pas de flamme.	<ul style="list-style-type: none"> • La vanne de l'approvisionnement en gaz est à la position « OFF ». 	<ul style="list-style-type: none"> • Ouvrez la vanne d'approvisionnement en gaz de l'appareil.
Les lumières et les brûleurs ne s'allument pas	<ul style="list-style-type: none"> • Pas d'alimentation électrique. 	<ul style="list-style-type: none"> • Assurez-vous que le disjoncteur est à la bonne position. • Assurez-vous que la tension de la ligne d'alimentation électrique est adéquate.
Les aliments ne cuisent pas suffisamment dans le four.	<ul style="list-style-type: none"> • Le plat utilisé n'est pas adéquat. • L'appareil n'est pas de niveau. 	<ul style="list-style-type: none"> • Consultez la section « Récipients recommandés » dans le <i>Guide d'utilisation et d'entretien</i>. • Consultez le <i>Manuel d'installation</i> pour obtenir des instructions sur le nivelage de l'appareil.

Énoncé de Garantie Limitée du Produit

Couverture de la garantie et à qui elle s'applique

La garantie limitée offerte par BSH Home Appliances Corporation (BSH) dans cet énoncé de garantie limitée du produit ne s'applique qu'à l'appareil THERMADOR^{mc} qui vous a été vendu, à titre de premier acheteur, pourvu que le produit ait été acheté :

- Pour une utilisation domestique normale (non commerciale) et qu'il n'ait été utilisé qu'à des fins domestiques normales.
- Neuf au détail (qu'il ne soit pas un modèle précédemment retourné, un modèle « tel-quel » ou un modèle de plancher) et non destiné à la revente ou à un usage commercial.
- Aux États-Unis ou au Canada, et qu'il soit demeuré en tout temps dans le pays de l'achat d'origine.

Les garanties énoncées dans les présentes ne s'appliquent qu'au premier acheteur du produit et ne sont pas transférables.

Veuillez vous assurer de retourner votre carte d'enregistrement ; bien que ce ne soit pas indispensable à la couverture de garantie. C'est toutefois le meilleur moyen pour BSH de communiquer avec vous, dans le cas peu probable d'un rappel de produit ou d'un avis de sécurité.

Durée de la garantie

Produit fabriqué avant le 1^{er} janvier 2012 dont le numéro est égal ou inférieur à FD911299999 : BSH garantit que le produit est exempt de défauts tant dans les matériaux que dans la main-d'œuvre pour une période de (365) jours à partir de la date d'achat. Cette période commence dès la date de l'achat et ne peut pas être arrêtée, prolongée ou suspendue pour quelque raison que ce soit.

Produit fabriqué après le 1^{er} janvier 2012 dont le numéro est égal ou supérieur à FD920100000 : BSH garantit que le produit est exempt de défauts tant dans les matériaux que dans la main-d'œuvre pour une période de sept cent trente (730) jours à partir de la date d'achat. Cette période commence dès la date de l'achat et ne peut pas être arrêtée, prolongée ou suspendue pour quelque raison que ce soit.

Ce Produit est également garanti contre tout défaut de matériau et de fabrication apparent (tels les éraflures sur l'acier inoxydable, les défauts d'aspect de la peinture ou de la porcelaine, les ébréchures, les bosselures, ou autres dégâts au fini du Produit), pendant une période de trente (30) jours à compter de la date d'achat ou de la date de

clôture pour une nouvelle construction. Cette garantie relative à l'apparence exclut les légères variations de couleur découlant des différences inhérentes aux pièces peintes et en porcelaine, ainsi que découlant des différences causées par l'éclairage de cuisine, l'emplacement du produit ou d'autres facteurs similaires. Cette garantie relative à l'apparence exclut plus particulièrement tout appareil électroménager en exposition, de plancher, « En l'état » ou de stock « B ».

Réparation ou remplacement comme recours exclusif

Durant cette période de garantie, BSH ou l'un de ses fournisseurs de service autorisés réparera votre appareil sans frais (sujet à certaines limitations établies dans les présentes) s'il est prouvé qu'une défectuosité dans les matériaux ou la main-d'œuvre affecte le fonctionnement de votre appareil. Si tous les efforts entrepris pour réparer l'appareil ont échoués, BSH remplacera votre appareil (un modèle plus récent pourrait vous être livré, à la seule discrétion de BSH, pour des frais additionnels). Toutes les pièces et composants deviendront la propriété de BSH. Toutes les pièces remplacées et/ou réparées assumeront l'identité de la pièce d'origine aux fins de cette garantie et cette garantie ne sera pas prolongée suite au remplacement de ces pièces. La seule responsabilité de BSH telle que décrite dans les présentes est de réparer un produit défectueux à la fabrication, en mandatant un fournisseur de service autorisé de BSH durant les heures d'affaire. Pour des raisons de sécurité et de dommages aux biens, BSH recommande de ne pas tenter de réparer vous-même le produit ou d'employer un fournisseur de services non autorisé. BSH n'accepte aucune responsabilité pour les réparations ou le travail effectué par un fournisseur de service non autorisé. Si vous acceptez qu'une personne autre qu'un fournisseur de service autorisé travaille à réparer votre produit, CETTE GARANTIE DEVIENDRA AUTOMATIQUEMENT NULLE ET NON AVENUE. Les fournisseurs de service autorisés sont les personnes morales ou sociétés spécialement formées pour réparer les produits BSH et qui possèdent, selon BSH, une réputation supérieure au niveau du service à la clientèle et des compétences techniques (notez qu'il s'agit d'entités indépendantes et non d'agents, partenaires, sociétés affiliées ou représentants de BSH). En dépit des énoncés ci-dessus, BSH n'accepte aucune responsabilité pour un appareil se trouvant dans une région éloignée (à plus de 200 km d'un fournisseur de service autorisé), ou dans un lieu ou un environnement inaccessible, dangereux, menaçant ou hasardeux ; dans un tel cas, si vous le demandez, BSH paiera pour les pièces et la main-d'œuvre, et expédiera le tout au fournisseur de service autorisé le plus près. Vous serez toutefois entièrement responsable des frais de déplacement ou autres frais spéciaux engagés par la société de service,

assumant que cette dernière accepte d'effectuer la réparation.

Appareil hors garantie

BSH n'est assujettie à aucune obligation, au titre de la loi ou autrement, de vous offrir des concessions, incluant les réparations, prorata ou remplacement de produit une fois cette garantie expirée.

Exclusions de la garantie

La garantie décrite dans les présentes exclut toutes les défauts ou dommages qui ne sont pas du fait direct de BSH, incluant, mais sans s'y limiter, un ou plusieurs des éléments suivants :

- Utilisation du produit pour quelque raison autre que son usage normal de la façon prévue (incluant mais sans s'y limiter, toute forme d'usage commercial, d'usage ou d'entreposage d'appareils pour l'intérieur à l'extérieur, d'usage de l'appareil avec tout moyen de transport maritime ou aérien).
- Toute conduite inappropriée, négligence, mauvais usage, abus, accident, utilisation inadéquate, absence d'entretien, installation inadéquate ou négligente, modification, non-respect des instructions d'utilisation, manutention inappropriée, réparations non autorisées (incluant les réparations « maison » ou l'exploration des mécanismes internes de l'appareil).
- L'ajustement, l'altération ou la modification de toute forme que ce soit.
- Le non-respect des codes du bâtiment, règlements ou lois de la ville, de la province ou du pays en matière d'électricité, de plomberie, incluant une installation non conforme aux règlements et codes du bâtiment et des services d'incendie.
- L'usure normale, les déversements d'aliments ou de liquides, les accumulations de graisse ou d'autres substances qui s'accumulent sur, dans ou autour de l'appareil.
- Toute force et facteur extérieur causé par les éléments ou l'environnement, incluant, mais sans s'y limiter, la pluie, le vent, le sable, les inondations, les coulées de boue, les températures extrêmes, l'humidité excessive ou l'exposition prolongée à l'humidité, la foudre, les pannes de courant, les défaillances structurales autour de l'appareil et les catastrophes naturelles.

En aucun cas BSH ne peut être tenu responsable de dommages aux biens environnants, incluant les armoires de cuisine, les planchers, les plafonds et toute autre structure ou objet entourant l'appareil. Également exclus de cette garantie sont les éraflures, entailles, bossellements mineurs et dommages cosmétiques des surfaces externes et parties exposées ; les appareils dont les numéros de série ont été modifiés, effacés ou rendus illisibles ; les visites de service visant à vous enseigner comment utiliser l'appareil ou les visites qui ne révèlent

aucune défaillance à l'appareil ; la correction des problèmes d'installation (vous êtes seul responsable de la mise en place de l'appareil, notamment au niveau de l'électricité, de la plomberie et des autres installations de raccordement, des fondations et planchers et des modifications incluant, mais sans s'y limiter, les armoires, les murs, les planchers, les étagères, etc.) et le réenclenchement des disjoncteurs ou le changement des fusibles.

SELON LES LIMITES PERMISES PAR LA LOI, CETTE GARANTIE VOUS ACCORDE DES RECOURS EXCLUSIFS RELATIVEMENT AU PRODUIT, QUE LA RÉCLAMATION SURVIENNENT DE PAR LE CONTRAT OU PAR DÉLIT CIVIL (INCLUANT LA RESPONSABILITÉ STRICTE OU LA NÉGLIGENCE) OU DE TOUTE AUTRE FAÇON. CETTE GARANTIE REMPLACE TOUTE AUTRE GARANTIE, QU'ELLE SOIT EXPRESSE OU IMPLICITE. TOUTE GARANTIE IMPLICITE EN VERTU DE LA LOI, QU'ELLE CONCERNE LA QUALITÉ MARCHANDE OU L'ADAPTATION À DES FINS PARTICULIÈRES, OU AUTREMENT, NE SERA EN VIGUEUR QUE POUR LA PÉRIODE PENDANT LAQUELLE LA GARANTIE EXPRESSE LIMITÉE EST EN VIGUEUR. EN AUCUN CAS LE FABRICANT NE PEUT ÊTRE TENU RESPONSABLE DES DOMMAGES INDIRECTS, PARTICULIERS, CONSÉCUTIFS, DÉCOULANT D'UNE « PERTE COMMERCIALE » ET/OU PUNITIFS, DES PERTES OU DÉPENSES, INCLUANT, MAIS SANS S'Y LIMITER, LE TEMPS PASSÉ LOIN DU TRAVAIL, LES HÔTELS ET/OU LES REPAS AU RESTAURANT, LES FRAIS DE REMODELAGE QUI DÉPASSENT LES DOMMAGES DIRECTS DÉFINITIVEMENT ET EXCLUSIVEMENT CAUSÉS PAR BSH OU AUTREMENT. CERTAINS ÉTATS OU PROVINCES NE PERMETTENT PAR L'EXCLUSION OU LA LIMITATION DES DOMMAGES CORRÉLATIFS OU IMPRÉVUS ET CERTAINS ÉTATS OU PROVINCES NE PERMETTENT PAS D'ACCORDER UNE LIMITE DE DURÉE À LA GARANTIE IMPLICITE. PAR CONSÉQUENT LES LIMITATIONS CI-DESSUS POURRAIENT NE PAS S'APPLIQUER À VOUS. CETTE GARANTIE VOUS ACCORDE DES DROITS LÉGAUX SPÉCIFIQUES ET VOUS POURRIEZ ÉGALEMENT DISPOSER D'AUTRES DROITS QUI VARIENT D'UN ÉTAT À L'AUTRE ET D'UNE PROVINCE À L'AUTRE.

Aucune tentative de modifier ou d'amender cette garantie ne sera considérée comme applicable à moins qu'elle n'ait été autorisée par écrit par un responsable de BSH.

Índice de materias

Introducción	1
Instrucciones de seguridad importantes	1
Antes de Comenzar	6
Descripción	7
Descripción de los tableros de control	7
Identificación de la placas de cocción	7
Usar la placa de cocción	8
Quemadores STAR sellados	8
Recomendaciones para los utensilios de cocina	12
Utensilios especiales de cocina	13
Recomendaciones para cocinar - Quemadores de la placa de cocción	14
Utilización de la plancha eléctrica	16
Uso de la parrilla eléctrica	18
Limpieza	21
Recomendaciones de limpieza	21
Antes de solicitar servicio	25
Placa de señalización	25
Información para el servicio técnico	25
Resolución de problemas	26
Declaración de garantía limitada del producto	27
Atención al cliente, accesorios y piezas	última página

Este electrodoméstico de THERMADOR® está fabricado por
BSH Home Appliances Corporation
1901 Main Street, Suite 600

¿Preguntas?

1-800-735-4328
www.thermador.com

¡Esperamos saber de usted!

Seguridad



INSTRUCCIONES IMPORTANTES DE SEGURIDAD LEA Y GUARDE ESTAS INSTRUCCIONES

ADVERTENCIA!



Si no sigue rigurosamente la información contenida en este manual podría provocar un incendio o una explosión, y como resultado podría causar daños a la propiedad, lesiones o la muerte.

- No guarde o use materiales combustibles, gasolina u otros productos inflamables, bajo cualquier tipo de envase cerca de esta placa de cocción o de cualquier otro aparato.
- QUÉ HACER EN CASO DE OLER A GAS
 - No trate de encender ningún aparato.
 - No toque ningún interruptor eléctrico.
 - No use ningún teléfono en su casa.
 - Llame de inmediato a su proveedor de gas desde el teléfono de algún vecino y siga las instrucciones de su proveedor de gas.
 - Cuando no pueda localizar a su proveedor de gas, llame a los bomberos.
- Un instalador cualificado, una agencia de servicio autorizada o el proveedor de gas debe realizar la instalación y el servicio.

ADVERTENCIA!

La instalación, ajuste, reparación y mantenimiento incorrectos del aparato pueden causar lesiones a personas o daños a la propiedad. Consulte este manual. Para obtener asistencia y consejos adicionales, consulte a un técnico cualificado, una agencia de servicio, el fabricante (o el distribuidor) o un proveedor de gas.

Para instalaciones en Massachusetts:

1. La instalación debe realizarse por un contratista, un fontanero o un técnico de gas cualificado o autorizado por el estado, la provincia o región donde se esté instalando este aparato.
2. La válvula de cierre debe ser un grifo de gas en T.
3. El conducto flexible de gas no debe medir más de 36 pulg. (914 mm).

Verificación del tipo de gas

Todas las placas de cocción salen de la fábrica para ser utilizadas con gas natural. Verifique el tipo de gas del suministro. Asegúrese de que el aparato esté conectado al tipo de gas para el cual está certificado. Los modelos vienen de fábrica con certificado para su uso con gas natural. Se necesita un juego de conversión (PALPKITHC) para convertir el aparato a propano en el lugar de la instalación. Sólo un técnico cualificado debe proceder a la conversión del aparato.

PRECAUCIÓN!

Cuando conecte el aparato con gas propano, asegúrese de que el tanque de gas propano venga con su propio regulador de alta presión además del regulador de presión que se incluye con la placa de cocción. La máxima presión de gas de este aparato no debe exceder 14,0 pulgadas de columna de agua (34 mb) del tanque de gas propano al regulador de presión.

IMPORTANTE:

Se debe usar una consola de protección baja cuando instale el aparato sobre una superficie combustible. Puede comprar por separado una consola de protección baja THERMADOR. Consulte el manual de instalación para obtener instrucciones de instalación e información sobre la consola de protección.

Para las instalaciones de tipo isla, THERMADOR recomienda dejar un espacio horizontal mínimo de 12 pulgadas (305 mm) entre los materiales combustibles y la parte trasera de la placa de cocción. Consulte el manual de instalación para conocer las exigencias relativas al espacio libre. Los espacios libres necesarios para los materiales no combustibles no forman parte de la norma ANSI Z21.1 y no se mencionan en las normas de la CSA. Los códigos locales o las autoridades locales deben aprobar los espacios libres de menos de 12 pulg. (305 mm).

Antes de usar la placa de cocción, asegúrese de que tenga una consola de protección apropiada. Consulte las instrucciones de instalación incluidas para obtener más información.



INSTRUCCIONES IMPORTANTES DE SEGURIDAD

LEA Y GUARDE ESTAS INSTRUCCIONES

ADVERTENCIA!

Para evitar un posible riesgo de quemaduras o fuego se debe instalar una consola de protección diseñada específicamente para esta placa de cocción antes de utilizarla.

Exigencias eléctricas

PRECAUCIÓN!

EN CASO DE FALLO ELÉCTRICO

Si por algún motivo una perilla de gas está prendida y no hay corriente eléctrica para utilizar los encendedores eléctricos en los quemadores de gas de la placa de cocción, apague la perilla de control y espere 5 minutos para que se disipe el gas antes de prender el quemador manualmente.

Para prender los quemadores STAR manualmente, sostenga un cerillo prendido cerca de los orificios del quemador STAR y gire la perilla de control de gas hasta HI. Durante un fallo de luz, puede usar los quemadores STAR estándares de la placa de cocción, pero debe encenderlos con un cerillo.

NO trate de encender los dos quemadores XLO[®] de la izquierda y la derecha manualmente. Estos quemadores STAR vienen equipados con la opción ExtraLow[®] y no se pueden encender manualmente.

Es responsabilidad y obligación del usuario asegurarse de que un electricista cualificado conecte este aparato a la alimentación eléctrica conforme al código eléctrico nacional y/o a los códigos y regulaciones locales vigentes.

Todos los modelos de las placas de cocción requieren un circuito eléctrico de 120 voltios, 60 Hz et 10 amperios, menos los modelos equipados de una plancha, que requieren un circuito de 15 amperios.

PRECAUCIÓN!

POR CUESTIÓN DE SEGURIDAD PERSONAL, ESTE APARATO DEBE ESTAR CONECTADO A UNA ALIMENTACIÓN ELÉCTRICA POLARIZADA CON UNA TOMA DE TIERRA ADECUADA.

Quite siempre el enchufe eléctrico del enchufe de la pared antes de dar servicio a la placa de cocción.

Lea las instrucciones de instalación para conocer los requisitos de alimentación eléctrica y de toma de tierra.

Normas y códigos de seguridad

Este aparato cumple con una o más de las siguientes normas:

- ANSI Z21.1 para Aparatos Domésticos de Gas
- UL858 para Estufas Eléctricas de Uso Doméstico
- CAN/CSA-22.2 No. 61-M89 para Estufas Domésticas
- CAN/CGA 1.1-M81 Estufas Domésticas de Gas

Consulte los códigos locales que se apliquen en su caso de construcción para una instalación correcta. Si no hay códigos locales, se debe instalar esta unidad conforme al Código Nacional de Gas americano No. Z223.1, edición actual, y el Código Eléctrico Nacional americano ANSI/NFPA No. 70, edición actual, o bien al Código de instalación Can - B149 para aparatos de gas y al Código Eléctrico Canadiense C22.1 Parte 1.

Incumbe al dueño y al instalador determinar si se deben aplicar requisitos o normas adicionales a la instalación específica.

Con un cuidado adecuado, su nueva placa de cocción PROFESSIONAL[®] de THERMADOR ha sido diseñada para ser un aparato seguro y fiable. Sin embargo, tenga mucho cuidado cuando use esta placa de cocción de rendimiento comercial ya que este tipo de aparato genera mucho calor. Cuando use aparatos de cocina, se deben tener en cuenta precauciones básicas, incluyendo las siguientes:

Lea atentamente este manual de uso y cuidado antes de usar su nueva placa de cocción para reducir el riesgo de fuego, de descarga eléctrica o de lesiones.

Se deben efectuar correctamente la instalación y el mantenimiento de este aparato. Siga las instrucciones de instalación que se incluyen con el producto. Asegúrese de que un técnico cualificado instale el aparato y realice la toma de tierra de la placa de cocción.

Pídale al instalador que le muestre dónde se encuentra la válvula de cierre de gas y el disyuntor, de manera que usted sepa cómo y dónde apagar el suministro de gas y la alimentación eléctrica de la placa de cocción.

Al cocinar alimentos grasientos sobre los quemadores, la parrilla o la plancha: los quemadores adyacentes pueden arder y provocar humo. Tenga cuidado de no quemarse.



INSTRUCCIONES IMPORTANTES DE SEGURIDAD

LEA Y GUARDE ESTAS INSTRUCCIONES

En el caso de que haya un escape de gas en un quemador STAR, abra una ventana o una puerta. NO intente usar la placa de cocción antes de que el gas se haya disipado. Espere como mínimo cinco minutos antes de usar la placa de cocción.

No repare o reemplace ninguna parte del aparato a menos que haya sido recomendado específicamente en este manual. Para cualquier otro servicio, contrate a un técnico cualificado.

ADVERTENCIA!

PARA REDUCIR LOS RIESGOS DE LESIONES, EN CASO DE INFLAMACIÓN DE GRASA, LEA LO SIGUIENTE:

- Sofoque las llamas con una tapa ajustada, una hoja u otra bandeja metálica, luego apague el quemador de gas o el fogón. Tenga cuidado de no quemarse. Si las llamas no desaparecen enseguida, evacue la cocina y llame al servicio de incendios.
- Nunca tome una sartén en llamas – Podría quemarse.
- NO USE AGUA o un trapo o una toalla mojada: se producirá una explosión de vapor.
- Use un extintor sólo si:
 - Sabe que tiene un extintor de tipo ABC y sabe cómo usarlo.
 - El fuego es pequeño y se limita al sitio donde comenzó.
 - Ya ha llamado al servicio de incendios.
 - Puede luchar contra el fuego y tiene acceso a una salida.

Seguridad de los niños

Cuando los niños lleguen a la edad suficiente para operar el aparato, es responsabilidad legal de los padres o de los tutores legales asegurar que personas cualificadas los instruyan sobre prácticas seguras..

PRECAUCIÓN!

NO almacene objetos de interés para los niños encima de la placa de cocción o en la parte trasera de ésta. Podrían subir sobre la placa de cocción para alcanzarlos y sufrir heridas serias.

NO permita que nadie se ponga de pie, se siente o se cuelgue de alguna pieza del aparato, esto podría dañar el aparato o hacerlo volcar, causando posiblemente graves lesiones.

Cuando se les permita usar la placa de cocción a los niños, éstos deben estar supervisados de cerca por un adulto.

Nunca deje niños o animales solos o sin supervisión en el cuarto donde está funcionando el aparato. Nunca deberían tener la autorización de jugar cerca del aparato, esté funcionando o no.

Nunca use la placa de cocción para almacenar cosas. Los materiales inflamables pueden arder y los artículos de plástico pueden derretirse o quemarse. No cuelgue artículos de ninguna parte del aparato. Algunas telas son muy inflamables y pueden prender fuego. Si la placa de cocción está cerca de una ventana, asegúrese de que las cortinas no alcancen los quemadores STAR ya que podrían arder.

ADVERTENCIA!

PARA REDUCIR LOS RIESGOS DE INFLAMACIÓN DE LA GRASA:

- Nunca deje la placa de cocción sin atención cuando cocine a fuego alto. Los derrames causan humo y la grasa derramada puede arder. Caliente el aceite lentamente, a fuego lento o medio. encienda Siempre la campana cuando cocine a fuego alto o flamee alimentos (p.e. crepes Suzette, cerezas al jubileo, carne flameada a la pimienta).
- Limpie los ventiladores frecuentemente. No deje que la grasa se acumule sobre los ventiladores o los filtros.
- Use ollas de tamaño adecuado. Siempre use utensilios de cocina adecuados para el tamaño del fogón o del quemador.

Asegúrese de que siempre haya un detector de humo en funcionamiento cerca de la cocina. Si sus prendas o sus cabellos prenden fuego, tírese al suelo inmediatamente y dé vueltas para apagar las llamas.

Tenga un extintor apropiado a su disposición, cerca, muy visible y fácilmente accesible al lado del aparato.

Sofoque las llamas de los alimentos ardiendo, que no sea fuego de grasa, con bicarbonato sódico. Nunca utilice agua en incendios de cocina.



INSTRUCCIONES IMPORTANTES DE SEGURIDAD

LEA Y GUARDE ESTAS INSTRUCCIONES

Cuando sea posible, apague el sistema de ventilación si hay fuego en su placa de cocción. No intente alcanzar las perillas a través del fuego para apagarlas.

NUNCA permita el contacto de la ropa, asas de ollas u otros materiales inflamables con ningún quemador o rejilla de quemador hasta que se haya enfriado. Las telas pueden arder y causar lesiones serias.

Siempre use asas secas para las ollas: Las asas mojadas o húmedas pueden causar quemaduras por el vapor. No use una toalla u otro trapo que estorbe en lugar de las asas. No permita que las asas toquen rejillas de quemadores, quemadores infrarrojos, o quemadores calientes.

Por cuestiones de seguridad use ropa adecuada. No use ropa holgada o mangas que cuelguen cuando use este aparato. Algunas telas sintéticas son muy inflamables y no deben usarse mientras cocina.

No use papel de aluminio para forrar ninguna parte de la placa de cocción. De lo contrario podría causar una descarga eléctrica o un fuego, o se podría obstruir el flujo del aire de combustión y de ventilación. El aluminio es un excelente aislante térmico y retiene el calor. Su utilización afectará a la cocción y podría dañar el acabado de la placa de cocción.

ADVERTENCIA!

Este aparato sirve para cocinar. Nunca utilice esta unidad como un calentador para calentar el cuarto. De lo contrario podría sufrir una intoxicación por monóxido de carbono, sobrecalentar el aparato y dañar piezas.

Cuando use la placa de cocción: **NO TOQUE LAS REJILLAS DE LOS QUEMADORES O EL ÁREA CERCANA.** Las áreas cercanas a los quemadores pueden calentarse lo suficiente como para causar quemaduras.

Nunca deje el aparato desatendido cuando cocine a altas temperaturas. Los derrames causan humo y puede inflamar la grasa derramada. Además, si se sofocan las llamas de un quemador, se escapará gas a la habitación. Vea la *página 1* para tener más información sobre fugas de gas.

Use solamente ciertos tipos de utensilios de vidrio, vidrio cerámico refractario, cerámica, barro u otros vidrios que estén disponibles para cocinar con los quemadores de la placa de cocción. Este tipo de utensilio puede romperse con cambios repentinos de temperatura. Utilice solamente

llama media o baja según las indicaciones del fabricante del utensilio.

No caliente recipientes cerrados. La presión acumulada puede causar que el contenedor explote y provocar lesiones.

Al cocinar, ajuste los quemadores para que las llamas sólo calienten el fondo de la olla sin extenderse más allá de la base.

ADVERTENCIA!

Evite el uso de llamas altas con una olla más grande que la rejilla o con una olla que abarque más de un quemador, como una plancha, por periodos largos de tiempo. Esto puede causar una mala combustión que genere derivados nocivos.

Tenga cuidado y asegúrese de que las corrientes de aire producidas por aberturas de ventilación o ventiladores no lleven material inflamable hacia las llamas ni empujen las llamas de modo que éstas se extiendan más allá de los bordes de la olla.

Siempre use ollas con un fondo plano suficientemente grandes para cubrir el quemador. El uso de ollas muy pequeñas podría dejar expuesta una parte de la llama y causar que la ropa prenda.

Para minimizar el riesgo de quemaduras, el encendido de materiales inflamables y derrames por accidente, coloque los mangos de los utensilios hacia adentro de modo que no se extiendan encima de áreas cercanas de trabajo, áreas de cocinar o el borde de la placa de cocción.

NO use ollas o sartenes en la parrilla (vendida por separado). Nunca se deben usar ollas grandes, las bandejas para galletas, etc. en la placa de cocción.

No use detergentes inflamables para limpiar la placa de cocción.

Agarre el mango de la olla para evitar que se mueva el utensilio cuando remueva o volteé alimentos.

Quite la tabla de cortar opcional de la cubierta de la plancha antes de utilizar la plancha o los quemadores adyacentes.



INSTRUCCIONES IMPORTANTES DE SEGURIDAD

LEA Y GUARDE ESTAS INSTRUCCIONES

LA GRASA ES INFLAMABLE. Permita que la grasa caliente se enfríe antes de tratar de manipularla. Evite la acumulación de depósitos de grasa. Limpie después de cada uso.

Para que se enciendan y funcionen correctamente los quemadores, mantenga limpios los orificios de los encendedores. Límpielos cuando se derramen alimentos hervidos o cuando el quemador no se encienda bien, aunque funcione el sistema de encendido electrónico.

Limpie la placa de cocción cuidadosamente. Evite quemaduras de vapor: NO use una esponja o un trapo húmedo para limpiar la placa de cocción cuando esté caliente. Algunos detergentes producen vapores nocivos cuando son aplicados a una superficie caliente. Siga las indicaciones del fabricante del detergente.

ADVERTENCIA!

Apague el quemador después de un derrame de alimentos y limpie el área alrededor de los orificios de los quemadores. Después de la limpieza, asegúrese de que funcione normalmente.

ADVERTENCIA!

No se debería instalar este aparato con un sistema de ventilación de corriente descendiente. Este tipo de sistema de ventilación puede presentar riesgo de ignición y problemas de combustión, provocando lesiones corporales, daños materiales o un funcionamiento involuntario. No se aplica ninguna restricción a los sistemas de ventilación de corriente ascendiente.

Asegúrese de que todos los controles de la placa de cocción estén apagados y que la plancha esté fría antes de usar algún tipo de detergente aerosol encima o alrededor de la placa de cocción. Los químicos provocados por la acción del spray podrían inflamarse o causar la corrosión de partes metálicas en presencia de calor.

Solamente técnicos autorizados deben dar servicio. Los técnicos deben desconectar la fuente de alimentación antes de dar servicio a esta unidad.

Para evitar el riesgo de incendio, limpie frecuentemente la campana y sus filtros para impedir las acumulaciones de grasa.

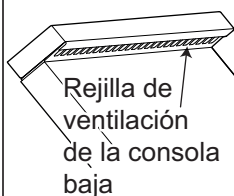
En caso de incendio, si flamea intencionalmente alcohol en la placa de cocción, siga las instrucciones del fabricante.

Tenga cuidado al cocinar con alcohol (ej.: ron, brandy, bourbon). El alcohol se evapora a altas temperaturas.

Los vapores de alcohol pueden arder y causar riesgo de quemadura. Sólo use pequeñas cantidades de alcohol con los alimentos.

NO obstruya el flujo del aire de combustión o de ventilación.

ADVERTENCIA!



NO bloquee y NO obstruya las aberturas de la rejilla de ventilación. La rejilla de ventilación se sitúa detrás del aparato. La rejilla de ventilación debe estar despejada y abierta para permitir la circulación de aire necesaria para el buen funcionamiento del aparato.

NO toque la zona de alrededor de la rejilla de ventilación cuando esté funcionando el aparato ni durante varios minutos después de la utilización del mismo. Algunas piezas de la rejilla de ventilación y de la zona adyacente llegan a estar suficientemente calientes como para provocar quemaduras. Deje tiempo suficiente para que el aparato pueda enfriarse antes de tocarlo o limpiarlo.

No coloque objetos de plástico o de otras materias sensibles al calor en la rejilla de ventilación o cerca de ella. Podrían prender fuego.

NO almacene o use químicos corrosivos, vapores, productos inflamables o no alimenticios en o cerca de este aparato. Este tipo de placa de cocción está diseñada específicamente para calentar o cocinar alimentos. El uso de químicos corrosivos cuando caliente o limpie la placa de cocción puede dañar el aparato y causar lesiones.

ADVERTENCIA!

Advertencias en virtud de la Proposición 65 del estado de California:

Este producto contiene una o más sustancias químicas que el estado de California sabe que provocan cáncer, defectos congénitos, u otro daño reproductivo.

Antes de comenzar

Antes de usar su placa de cocción por primera vez, asegúrese de que tenga los artículos siguientes:

DESCRIPTION	30", 4 quemadores	36" con plancha	36" con parrilla	36", 6 quemadores	48" con plancha	48" con parrilla
Tapas de los quemadores STAR®	4	4	4	6	6	6
Rejillas de los quemadores	2	2	2	3	3	3
Rejilla central	1	—	—	—	—	—
Rejillas de la parrilla	—	—	2	—	—	2
Briquetas de cerámica	—	—	1	—	—	1
Cesta de Briquetas de cerámica	—	—	1	—	—	1
Bandeja para la grasa de la parrilla	—	—	1	—	—	1
Plancha	—	1	—	—	1	—
Bandeja para la grasa de la plancha	—	1	—	—	1	—
Adorno de tipo isla*	1	1	1	1	1	1
Sobre de documentos	1	1	1	1	1	1

*Todos los modelos se venden con un adorno de tipo isla. Sin embargo, consulte la advertencia acerca del espacio detrás de la cocina cuando utilice la placa de cocción con este accesorio.

Table 1: Rangetop Accessories and Parts



Quite todo el material de embalaje y las etiquetas temporales de la placa de cocción. Por favor, recicle el material de embalaje ya que todo lo que utiliza THERMADOR para empacar sus aparatos es reciclable.

1. Asegúrese de tener los artículos listados en la Tabla 1.
2. **Anote el número de modelo y de serie en la página 25.** Consulte la información que aparece en la placa de señalización. La placa de señalización está situada en la parte inferior del armazón de la placa de cocción (vea la *Figure 19 en la página 25*). Recorra a esta información cada vez que se ponga en contacto con atención al cliente. Escriba también esta información en la tarjeta de registro que se incluye con este producto y luego envíela a la dirección indicada.
3. Accesorios opcionales: placa de parrilla (PA12GRILLN), tabla de cortar de 12 pulg. (PA12CHPBLK), cubierta para la plancha (PA12CVRJ), anillo de soporte para wok (PWOKRINGHC) y otros accesorios están disponibles en su distribuidor THERMADOR.

Las placas de cocción PROFESSIONAL® de THERMADOR emiten a veces olores particulares o humo cuando se usan por primera vez. Esos olores o este humo provienen de residuos de fabricación al ser quemados, lo que es típico en una nueva placa de cocción, sin importar el fabricante.

Tenga en cuenta que los pájaros domésticos pueden ser sensibles a los olores producidos durante la utilización de la hornilla a temperaturas altas, provenientes de la combustión de residuos de fabricación o de alimentos. Por eso, se recomienda no dejar los pájaros domésticos en la cocina.

IMPORTANTE:

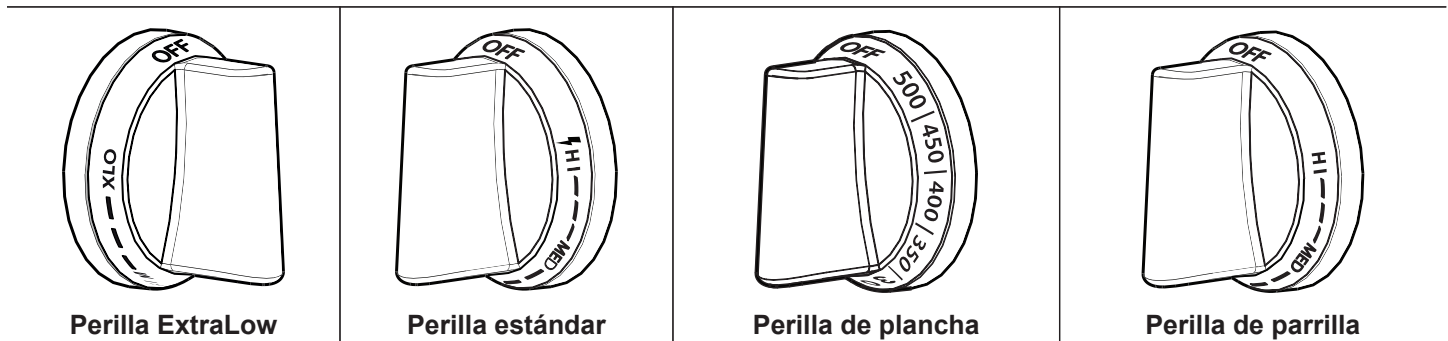
Todas las perillas de control deben estar a la posición OFF antes de encender la placa de cocción.

Para evitar un funcionamiento no deseado, gire todas las perillas de control a la posición OFF.

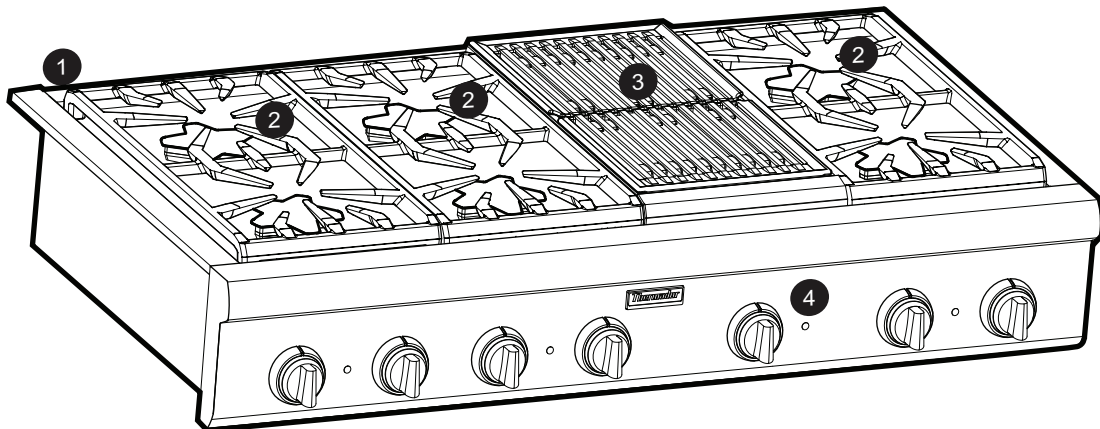
Descripción

Identificación de las piezas

Descripción de los tableros de control



Identificación de la placas de cocción (varios modelos)



1. Adorno de tipo isla o consola de protección baja de 12 pulg. (305 mm) (vendidos por separado)
2. Rejillas y quemadores
3. Opción de parrilla eléctrica
4. Luz del panel de control

Figura 1: Identificación de la placas de cocción

Usar la placa de cocción

Quemadores STAR® Sellados

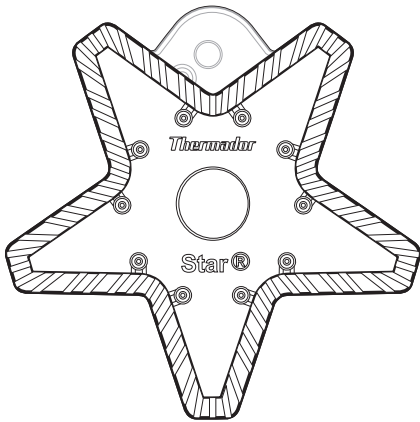


Figura 2: Base del quemador STAR de latón

Cada quemador tiene un dispositivo QuickClean™ único que facilita la limpieza del quemador y del área cercana.

En todos los modelos, los dos quemadores de la izquierda incluyen la opción exclusiva ExtraLow®, mientras que los quemadores restantes son estándar. Cada quemador STAR tiene su propia perilla de control.

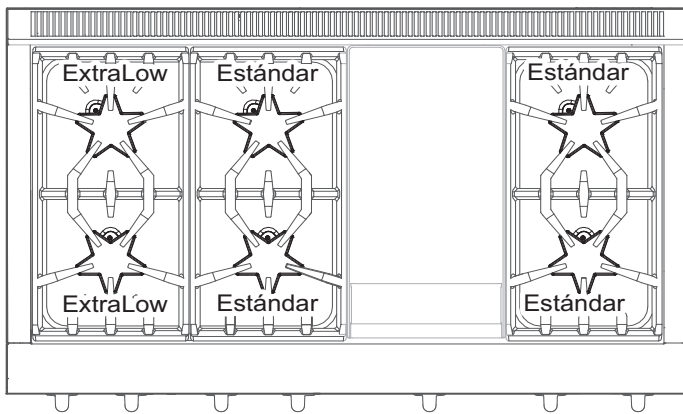


Figura 3: Disposición de los quemadores

Perillas de control

Normalmente, las perillas de control para dos quemadores se encuentran justo enfrente del par de quemadores STAR al que corresponden en el tablero de control, situados uno en frente del otro en la superficie de la placa de cocción.

El símbolo sobre cada perilla de control identifica la posición que ocupa en la superficie de la placa de cocción.



Figura 4: Símbolos de la placa de cocción

Operación de los quemadores

1. Oprima la perilla y gírela en sentido opuesto a las agujas del reloj hasta la posición **HI**.
 - El encendedor del quemador seleccionado echa chispas para encender el quemador.
 - Después de encender la llama, el encendedor deja de echar chispas.
2. Gire la perilla a cualquier ajuste de la llama entre **HI** y **SIM**.
 - Se prende la luz azul de señal directamente encima de cada perilla de quemador. Se enciende la luz cuando uno de los quemadores queda prendido y se apaga cuando está en la posición **OFF**.

Quemadores ExtraLow®

Los controles de los dos quemadores de la izquierda, delantero y trasero, tienen ajustes de las llamas aún más bajos que los ajustes estándares de fuego lento (vea la “Disposición de los quemadores” en la página 8).

La Figura 5 muestra que la perilla de control tiene un rango adicional entre los ajustes SIM y XLO. Cuando se ajusta la perilla dentro de este rango, la llama se prende y se apaga. Variando la duración de tiempo que se prende y apaga la llama, se puede reducir el calor aún más para cocinar alimentos delicados. Por ejemplo, estos ajustes son apropiados para hervir a fuego lento y para escalfar, derretir chocolate y mantequilla, mantener alimentos calientes sin quemarlos, etc.

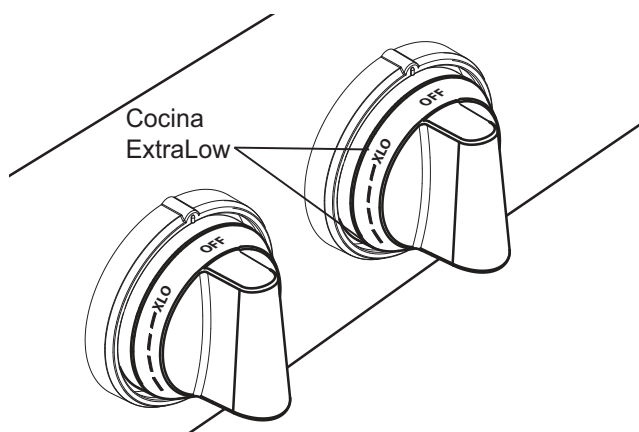


Figura 5: Perilla de control de un quemador STAR ExtraLow

Funcionamiento de los quemadores STAR ExtraLow

- XLO, el ajuste de calor más bajo, funciona por ciclos de un minuto en los que la llama se prende durante unos 7 segundos y se apaga durante 53 segundos.
- Cuando se ajusta la perilla justo debajo de la posición SIM, se prende a llama cada minuto durante unos 54 segundos y se apaga durante unos 6 segundos.
- Para variar la intensidad de calor, se puede ajustar el control en cualquier posición dentro del rango de SIM y XLO marcado en la perilla.

Técnicas ExtraLow®

- El tipo y la cantidad de alimentos afectan al ajuste que se debe usar.
- La olla seleccionada afecta al ajuste de calor. Su tamaño, tipo, material y el uso de una tapa afectan la constancia de la temperatura de cocción.
- Para mantener una temperatura baja, se debe calentar el alimento hasta hervir. Revuelva bien, luego tape la olla y baje la temperatura a un ajuste un poco más bajo de SIM.
- Revise periódicamente si se debe modificar el ajuste de la perilla de control.
- Cuando se usa una olla demasiado grande, la acción de hervir a fuego lento puede producirse principalmente en el centro de la olla. Para igualar la temperatura en todo el alimento, revuélvalo bien de los extremos exteriores de la olla hacia el centro.
- Es normal revolver el alimento de vez en cuando, cuando cocine a fuego lento, sobre todo cuando debe cocer durante varias horas, como en el caso de una salsa casera de espaguetis o de frijoles.
- Cuando baje el ajuste de la llama, hágalo en pasos pequeños.
- Si el ajuste es demasiado bajo para seguir a fuego lento, vuelva a llevar a ebullición antes de reajustar a una temperatura más alta.
- Es normal no ver burbujas después de revolver un alimento.
- Se pueden formar burbujas cuando la llama se prende y desaparecer cuando la llama se apaga. Aun cuando la llama está apagada, habrá vapor y una ligera agitación en la superficie del líquido.

IMPORTANTE:

- Para una combustión adecuada, NO use la placa de cocción sin tener las rejillas de los quemadores en su sitio.
- Hay un ligero sonido asociado a la combustión de gas y el encendido. Esto es normal.
- Con las placas de cocción alimentadas por propano, es posible que oiga un chasquido a nivel de los orificios de los quemadores STAR unos segundos después de apagarlos.

Verificación de la posición de las tapas de los quemadores

- Compruebe cada quemador para asegurarse de que no hay espacio entre la tapa y la base del quemador. Vea las *Figura 6* y *Figura 7* para ejemplos de tapa de quemador instalada correctamente e incorrectamente.
- Puede intentar mover con cuidado las tapas de los quemadores lateralmente para asegurarse de que están colocadas correctamente en su base. Cuando así sea, las tapas estarán rectas en la base y cubrirán completamente la base del quemador en forma de estrella al mirarlas desde arriba, como se muestra en la *Figura 6*.

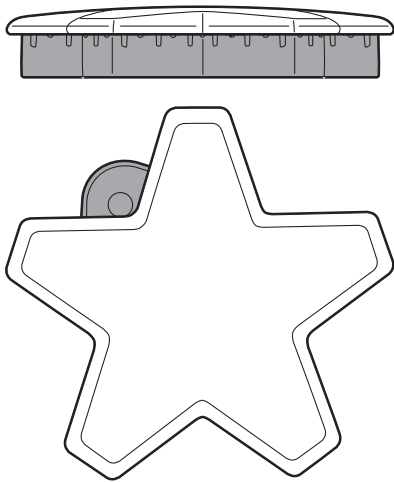


Figura 6: Tapa de quemador colocado correctamente

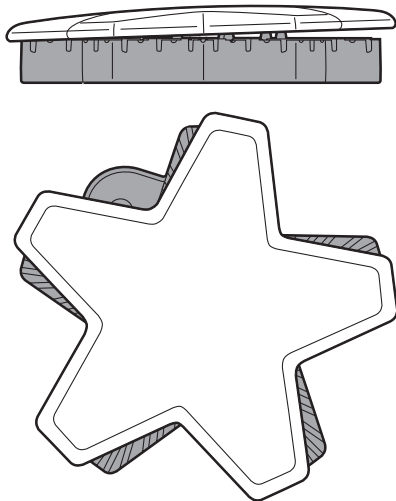


Figura 7: Tapa de quemador colocado incorrectamente

Posición de las tapas de los quemadores

Para asegurar un funcionamiento correcto, se deben colocar correctamente las tapas de los quemadores STAR® sobre su base. Si la tapa no se coloca correctamente, podría ocurrir uno de los siguientes problemas:

- Las llamas del quemador son demasiado altas
- Llamas excesivas salen del quemador
- El quemador no se enciende
- Las llamas del quemador son irregulares
- El quemador desprende olores

⚠ ADVERTENCIA!

Para evitar que los productos se prendan fuego o que se creen gases nocivos, no use la superficie de la estufa si las tapas y las rejillas no están todas colocadas correctamente.

Encendedor electrónico único

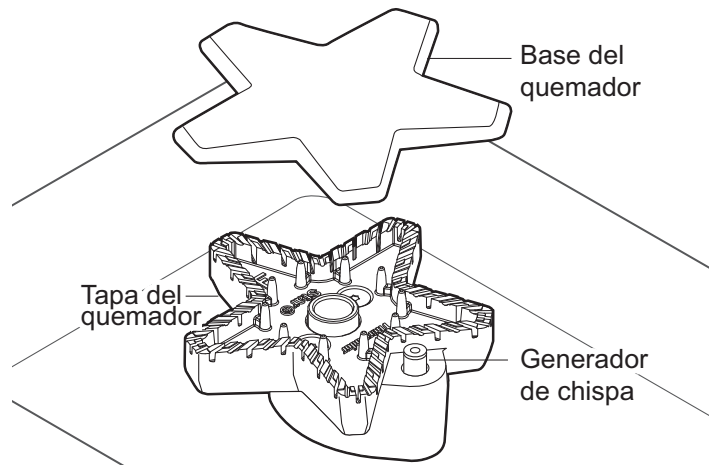


Figura 8: Componentes de los quemadores STAR

Cada quemador STAR tiene su propio encendedor electrónico que echa chispas cuando se activa la perilla. Los quemadores deben encenderse en 4 segundos o menos. Si un quemador no se enciende, asegúrese de que la tapa esté colocada correctamente sobre la base.

⚠ PRECAUCIÓN!

No toque los quemadores cuando los encendedores echan chispas.

Reencendido Automático

Si se apagan las llamas de uno o más quemadores, el encendedor electrónico echa chispas automáticamente para volver a encender la llama. No toque los quemadores cuando los encendedores echen chispas.

IMPORTANTE:

- Para una combustión adecuada, no use la estufa sin tener las rejillas de los quemadores en su lugar.
- Hay un ligero sonido asociado con la combustión de gas y el encendido. Esto es normal.

⚠ ADVERTENCIA!

Para prevenir quemaduras, evite tocar las tapas y las rejillas de los quemadores cuando estén calientes. Apague la estufa y deje los quemadores enfriarse.

Apagón

⚠ ADVERTENCIA!

En el caso de un apagón, se deben girar todas las perillas a la posición OFF. Solamente se pueden encender manualmente los quemadores estándares STAR.

- Solamente en el caso de una falla de electricidad pueden encenderse manualmente los quemadores estándar. Es necesario encender cada uno individualmente.
- Si se está usando la parrilla cuando se va la luz, gire **todas** las perillas a la posición **OFF** (Apagado).
- Se pueden encender los quemadores estándar con un cerillo prendido cerca de los puertos y girando la perilla de control a la posición **HI**. Espere hasta que la llama envuelva toda la tapa del quemador antes de ajustar la llama a la altura deseada.
- No se puede usar el quemador ExtraLow durante una falla de electricidad. **Asegúrese de apagarlo.**
- Si el quemador ExtraLow está prendido cuando se va la luz, no se puede volver a prender hasta no apagar primero la perilla.
- No se pueden usar la plancha durante una falla de luz.
- Si huele a gas, consulte las precauciones de seguridad listadas dentro de la portada.

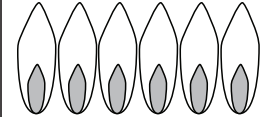
Altura de la llama

- La altura correcta de la llama depende de: 1) tamaño y material de la olla utilizada; 2) alimento que se está preparando; 3) cantidad de líquido en la olla.
- La llama nunca se debe extender más allá de la base de la olla.
- Use una llama baja o mediana para ollas de materiales que conduzcan el calor lentamente, como el acero esmaltado o la vitrocerámica.

Descripción de la llama

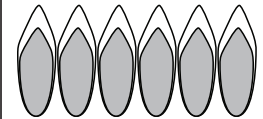
Flama amarilla:

Se requiere más ajuste.



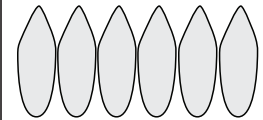
Puntas amarillas sobre conos:

Normal para Gas LP.



Flama azul suave:

Normal para Gas Natural.



Si la flama es casi o completamente amarilla, verifique que el regulador está establecido para el combustible correcto. Posterior al ajuste, vuelva a probar.

Se pueden producir algunas rayas anaranjadas en el encendido inicial. Permita que la unidad trabaje durante 4-5 minutos y vuelva a evaluar antes de realizar ajustes.

Figura 9: Características de las llamas

- La llama de los quemadores debe ser de color azul sin puntas amarillas. A veces, toma parcialmente un color naranja: esto indica que se están quemando impurezas suspendidas en el aire. Desaparecerá con el uso.
- Con gas propano (LP), es normal tener algunas puntas de color amarillo en el cono principal.
- La llama debe quemar completamente alrededor de la tapa del quemador. En caso contrario asegúrese de que la tapa esté colocada correctamente sobre la base y que los puertos no estén tapados.
- La llama debe estar estable sin ruido o flameado excesivo.

Recomendaciones para los utensilios de cocina

⚠ PRECAUCIÓN!

Para evitar dañar seriamente el aparato o las ollas, lea las siguientes instrucciones:

- Nunca se deben usar grandes utensilios en la superficie de la estufa, como cazuelas grandes, bandejas para galletas, etc.
- Las ollas grandes para caldos deben colocarse en forma escalonada cuando se usan en la estufa.
- Seleccione ollas cuyo diámetro coincida con el diámetro de la llama. El diámetro de la llama debe ser del mismo tamaño que la base de la olla o ligeramente más pequeña. Ollas demasiado grandes o pequeñas perjudican el rendimiento. Generalmente un tamaño de olla de 5½" (140 mm) es el más pequeño que se recomienda.

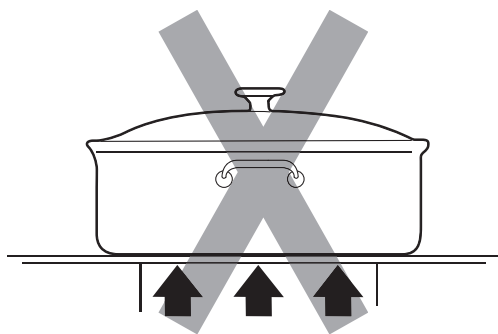


Figura 10: Diámetro de base

- Evite usar durante demasiado tiempo un ajuste de llama intenso cuando utilice una olla cuyo diámetro sea más grande que la rejilla o que ocupe el espacio de más de un quemador, como una bandeja. Esto puede generar una mala combustión y gases nocivos.
- La base de la olla es un factor importante para la estabilidad y uniformidad de la cocción. El asa no debe ser más pesada que la olla para que ésta no se incline. La olla debe ponerse al ras sobre la rejilla sin balancearse ni estar inestable.



Figura 11: Olla balanceada

- No se deben colocar alimentos envueltos en papel de aluminio directamente sobre la rejilla del quemador. El papel de aluminio puede derretirse durante la cocción.

- No permita que artículos de plástico, papel o tela entren en contacto con la rejilla caliente de un quemador. Podrían derretirse o prender fuego.
- Nunca hierva una olla hasta quedar seca. Esto puede dañar su olla y la superficie de la estufa.
- Recomendamos utilizar ollas de calidad profesional con asas de metal porque las asas de plástico pueden derretirse o bullir cuando la llama sube por el costado de la olla. Se pueden encontrar ollas de calidad profesional en tiendas de suministro para restaurantes y tiendas especiales. Todos los utensilios de cocina deben tener estas características: buena conductividad de calor, buen balance de peso, diámetro de la base de tamaño correcto, una base plana, pesada y una tapa que cierre bien.
- Para lograr mejores resultados, se debe mantener la llama bajo el fondo de la olla.

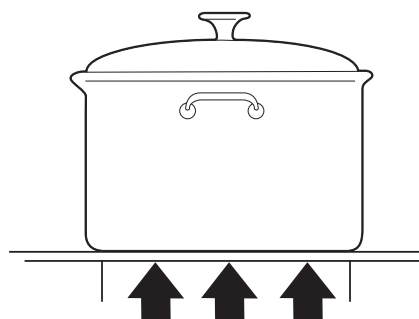


Figura 12: Olla de base plana

- El aluminio y el cobre son materiales de ollas que conducen el calor de un modo rápido y uniforme. Estos metales se encuentran a veces en la base de la olla o entre las capas de acero inoxidable.
- Una base plana y pesada es estable cuando se calienta. Bases de ollas deformadas, dentadas, estriadas o muy ligeras se calientan de un modo poco uniforme. Caliente y enfríe las ollas gradualmente para evitar cambios repentinos de temperatura, lo cual tiende a deformarlas. No ponga agua fría en una olla caliente.

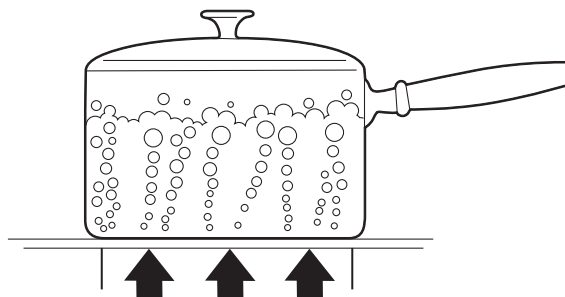


Figura 13: Olla tapada

Utensilios especiales de cocina

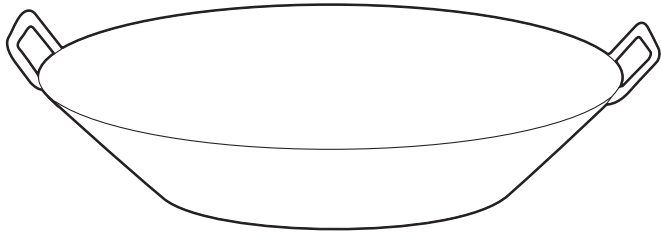


Figura 14: Olla tipo wok con base plana

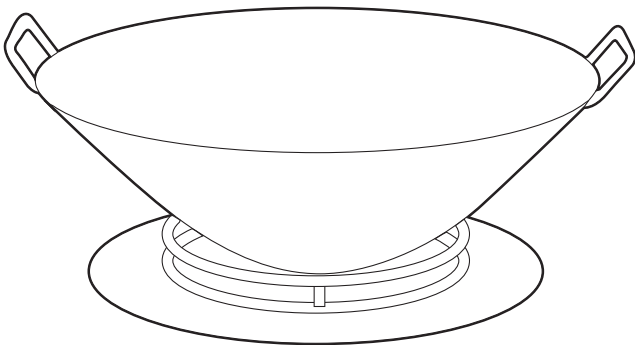


Figura 15: Wok con base redonda en un anillo de soporte

Wok — Se pueden usar tanto woks de base plana como redonda con el anillo de soporte en todos los modelos. Para los woks de base redonda se debe usar un anillo de soporte. El wok y el anillo de soporte para wok de hierro fundido esmaltado de porcelana se venden por separado (*PWOKRINGHC*).

Olla grande para caldos y olla a presión — Seleccione una con un diámetro de base que no salga más de 2 pulgadas (51 mm) de la rejilla.

Baño María de dimensiones estándares — 21 a 22 cuartos de galón (19,95 a 20,9 litros), con una base de 11 a 12 pulg. (279 a 305 mm) y una altura de 9 a 11 pulg. (229 a 279 mm).

Olla a presión — 8 a 22 cuartos de galón (7,6 a 20,9 litros), con una base de 8 a 11 pulg. (203 a 279 mm) y una profundidad de 6,5 a 12 pulg. (165 – 305 mm).

Consejos para usar ollas a presión:

- Es preferible usar una base plana que una cóncava, convexa o estriada.
- Cuando use dos ollas a presión al mismo tiempo, use quemadores escalonados. No bloquee la circulación de aire alrededor de los quemadores. Una llama necesita el aire suficiente para que la combustión se haga bien.
- Use una tapa sobre las ollas a presión cuando lleve el contenido a ebullición.
- Una vez que el contenido haya hervido en la posición HI, use la llama más baja posible para mantener la ebullición o la presión.
- Las ollas a presión producen grandes cantidades de vapor. Tenga cuidado para evitar quemaduras.

Recomendaciones para la cocción

Consulte la tabla de las *página 14*. Los ajustes de temperaturas varían dependiendo de las ollas seleccionadas y de la temperatura inicial de los alimentos.

En la tabla se ha separado el "Ajuste final" para los quemadores estándares y los quemadores ExtraLow[®]. Según el caso, puede haber un cambio entre los ajustes de los dos tipos de quemadores.

El ajuste ExtraLow de los quemadores STAR[®] puede servir para cocinar o para mantener alimentos calientes.

Suba o baje el ajuste de la llama gradualmente. Dé tiempo para que la olla y el alimento se puedan ajustar al nuevo ajuste de calor.

Recomendaciones para los utensilios de cocina

ALIMENTO	AJUSTE INICIAL	AJUSTE FINAL – QUEMADOR ESTÁNDAR	AJUSTE FINAL –QUEMADOR EXTRALOW® (XLO)
BEBIDAS Cacao (Chocolate)	MED – calentar la leche, cubrir	SIM – terminar de calentar	XLO – para mantener caliente, tapar*
PANES Pan Francés, Crepas, Sándwich a la plancha	MED – precalentar la sartén	SIM a MED – cocinar	Igual que el quemador estándar
MANTEQUILLA Derretir	SIM – para empezar el derretimiento	XLO – Para mantener la temperatura*	5 a 10 minutos para que se derrita
CEREALES Harina de maíz, Sémola, Avena	HI – tapar, hervir el agua, agregar los cereales	SIM a MED – terminar la cocción según las indicaciones en el embalaje	XLO – mantener, tapar*
CHOCOLATE Derretir	XLO – se puede revolver para acelerar el proceso	Usar XLO	XLO –10 a 15 minutos para que se derrita XLO – mantener*
POSTRES Caramelos	SIM a MED – cocinar según la receta	MED SIM a MED	Igual que el quemador estándar
Pudín y Relleno para tartas	SIM a MED SIM – cocinar según las indicaciones	SIM a MED	Igual que el quemador estándar
Pudín	SIM a MED SIM – hervir la leche	SIM	Igual que el quemador estándar
HUEVOS Cocidos con la cáscara	MED HI – tapar, hervir el agua, agregar huevos, tapar	Usar XLO	XLO – cocinar 3 a 4 minutos para quedar suave; o 15 a 20 minutos para quedar duros
Fritos, Revueltos	SIM a MED – derretir mant., agr. huevos	SIM – terminar la cocción	Igual que el quemador estándar
Escalfados	HI – hervir agua, agregar huevos	MED a MED – terminar la cocción	Igual que el quemador estándar
CARNE, PESCADO, AVE Tocino, Salchichas	MED HI – hasta que la carne empieza a chisporrotear	MED a MED – terminar la cocción	Igual que el quemador estándar
En su jugo: Filete Suizo, Estofado, Guisar carne	MED HI – derretir grasa, dorar en MED HI , agr. líquido, tapar		XLO – Dejar a fuego lento hasta que la carne está tierna
Fritura rápida: Filetes de desayuno	MED HI – precalentar sartén	MED a MED HI – freír rápidamente en la sartén	Igual que el quemador estándar
Fritura: Pollo	MED HI – calentar aceite, dorar en MED	SIM – cubrir, terminar la cocción	Igual que el quemador estándar
Fritura con aceite abundante: Camarones	MED HI – calentar aceite	MED a MED HI – mantener la temperatura	Igual que el quemador estándar

*Se recomienda revolver los alimentos de vez en cuando.

ALIMENTO	AJUSTE INICIAL	AJUSTE FINAL – QUEMADOR ESTÁNDAR	AJUSTE FINAL –QUEMADOR EXTRALOW® (XLO)
Fritura: chuletas de cordero, filetes delg., hamburguesas., salchichas enteras	MED HI – precalentar sartén	MED– dorar la carne	Igual que el quemador estándar
Escalfado: pollo, entero o piezas, pescado	MED HI – tapar, hervir los líquidos		Para terminar de cocinar
Hervido a fuego lento: Pollo estofado, carne curada, Lengua, etc.	HI – tapar, hervir los líquidos		Dejar a fuego lento
PASTA Macarrones, Fideos, Espaguetis	HI – hervir el agua, agregar la pasta	MED a HI – para q siga hirviendo	Igual que el quemador estándar
OLLA DE PRESIÓN Carne	MED HI a HI – aumentar presión	SIM a MED – mantener presión	Igual que el quemador estándar
Verduras	HI – aumentar presión	MED SIM a MED – mantener presión	Igual que el quemador estándar
Arroz	HI – cubrir, calentar el agua y el arroz hasta que hierva	mantener hirviendo a SIM , cubrir hasta que se evapore el agua.	Cocinar según las indicaciones del embalaje XLO – mantener, tapar
SALSAS A base de tomate	MED HI – cocinar carne / verduras, seguir la receta	SIM para cocinar a fuego lento	XLO – fuego lento para espesar la salsa, destapado
Blanca, Crema, Bernesa	MED – derretir la grasa, seguir la receta	SIM a MED SIM – terminar la cocción	XLO –mantener, tapar*
Holandesa	XLO		XLO – mantener el ajuste de calor más bajo por un período corto, revolver frecuentemente
SOPAS, CALDOS	HI – tapar, hervir el líquido	SIM para cocinar a fuego lento	Fuego lento XLO – mantener, tapar*
VERDURAS Frescas	HI – tapar, hervir el agua y las verduras	SIM a MED – cocinar 10 min., o hasta quedar suave	XLO – mantener, tapar
Congeladas	HI – tapar, hervir el agua y las verduras	SIM a MED – cocinar según las indicaciones del embalaje	Igual que el quemador estándar
Fritura en aceite abundante	HI – calentar aceite	MED a MED HI – mantener temperatura de fritura	Igual que el quemador estándar
Salteadas	MED HI – calentar aceite o derretir mantequilla y agregar verduras	SIM a MED – cocinar al término deseado	Igual que el quemador estándar
Sofritas	HI – calentar aceite, agregar verduras	HI – terminar la cocción	Igual que el quemador estándar

*Se recomienda revolver los alimentos de vez en cuando.

Uso de la plancha eléctrica (disponible con algunos modelos)

Descripción

La plancha empotrada está hecha de aluminio de calidad profesional con un acabado antiadherente (sin PTFE o APFO). Esto crea una superficie fácil de limpiar que conduce el calor uniformemente.

Se venden por separado como accesorios: una tabla de cortar de arce, una cubierta de acero inoxidable y una bandeja con revestimiento de aluminio. La tabla de cortar de arce y la cubierta en acero inoxidable están diseñadas para encajar sobre la superficie de la plancha cuando no se utiliza la plancha. La bandeja con revestimiento de aluminio está diseñada para reemplazar a la plancha. Para obtener más detalles, vea las instrucciones de los accesorios de la plancha.

Antes de encender la plancha se deben quitar la tabla de cortar de arce y la cubierta de acero inoxidable.

- La plancha se ajusta electrónicamente a las temperaturas indicadas en las perillas, de 150°F a 500°F (66°C a 260°C).
- No hay ajustes fijos en la perilla.
- Oprima y gire la perilla en el sentido de las agujas del reloj para obtener la temperatura deseada.
- La bandeja de la plancha (o el accesorio de la parrilla) siempre debe estar instalada cuando se usa la plancha.
- La plancha eléctrica tiene una potencia de 120 VCA, 1630 vatios.

PRECAUCIÓN!

La plancha está caliente después de cada utilización. Déjela enfriar completamente antes de limpiarla.

ADVERTENCIA!

Para evitar lesionarse, no utilice nunca la plancha si la bandeja o la parrilla no están instaladas. No utilice la plancha de una forma distinta de lo que está indicado en el manual de uso y cuidado.

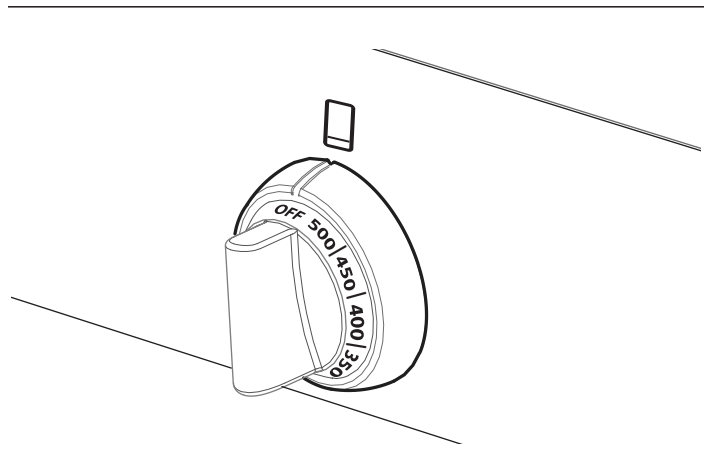


Figura 16: Perilla de control de la plancha

Preparación de la plancha

La plancha debe estar inclinada ligeramente hacia adelante para obtener el máximo rendimiento. Lea el manual de instalación para ajustar la plancha con la inclinación correcta. Al ensamblarla en la fábrica, la plancha está ligeramente inclinada. Sin embargo, durante la instalación, el instalador debe nivelarla.

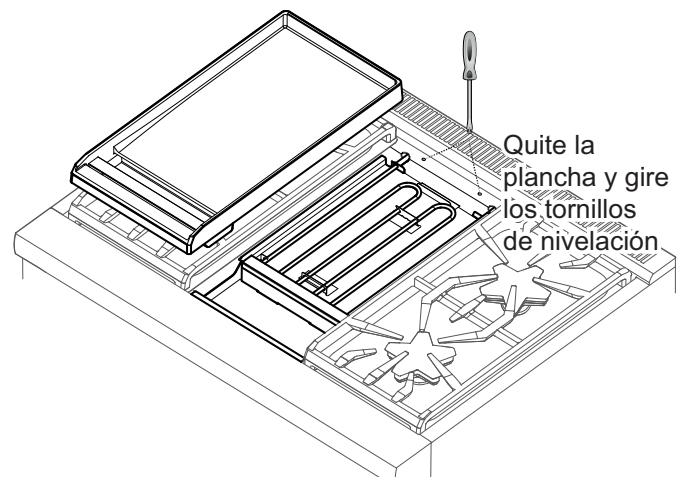


Figura 17: Tornillos de nivelación de la plancha

Antes de usarla, se debe lavar la bandeja de la plancha con agua caliente jabonosa y luego enjuagarla con agua limpia. Se puede usar la plancha sin mantequilla, margarina o aceite, o se puede echar una cantidad pequeña para dar sabor a los alimentos.

Se puede usar cualquier tipo de utensilio en la plancha. Tenga cuidado de no dañar la superficie. No corte alimentos directamente sobre la plancha.

AVISO:

El rendimiento de la plancha / estufa puede variar si el flujo de aire alrededor del aparato es demasiado elevado. El flujo de aire excesivo podría provenir de un registro de aire acondicionado o de un ventilador de techo que sopla hacia el aparato. Esto podría prolongar el tiempo de calentamiento o provocar temperaturas en la plancha/ estufa que no corresponden con el ajuste indicado por los botones.

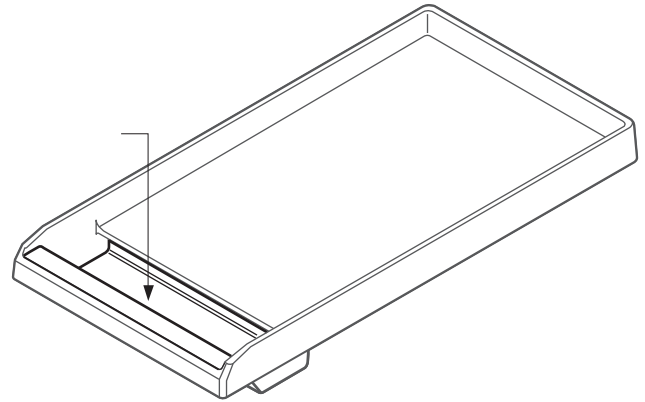
NOTA:

Una campana adecuadamente instalada no se considera como una fuente de flujo de aire excesiva.

Recomendaciones para usar la plancha

ALIMENTO	AJUSTE
Huevos	325°F – 350°F (160°C – 180°C)
Tocino, salchichas de desayuno	450°F – 475°F (230°C – 245°C)
Sándwich tostado	375°F – 400°F (190°C – 200°C)
Pechuga pollo sin hueso	425°F – 450°F (220°C – 230°C)
Chuletas de 1 pulg. (25,4 mm)	425°F – 450°F (220°C – 230°C)
Filete de 1 pulg. (25,4 mm)	450°F – 475°F (230°C – 245°C)
Carne molida (hamburguesas 6 onzas)	450°F – 475°F (230°C – 245°C)
Albóndigas de carne de pavo picada, 6 onzas	450°F – 475°F (230°C – 245°C)
Perritos calientes	350°F – 375°F (180°C – 190°C)
Lonchas de jamón de 1/2 pulg. (12,7 mm)	350°F – 375°F (180°C – 190°C)
Crepes, Pan Francés	400°F – 425°F (200°C – 220°C)
Papas; papas doradas	400°F – 425°F (200°C – 220°C)

* Para obtener una cocción uniforme, asegúrese de que los alimentos sean más o menos igual de gruesos por todas partes.

Bandeja de grasa de la plancha**Figura 18: Bandeja de grasa**

- Limpie la bandeja después de cada uso. Al quitar la bandeja, tenga cuidado para que no se derrame el contenido.
- La placa y la bandeja de grasa de la plancha se pueden lavar en el lavavajillas.
- Cuando se ha enfriado, ponga la grasa en un recipiente resistente a la grasa antes de tirarlo.

Cocinar en la plancha

1. Gire la perilla a la temperatura de cocción apropiada para precalentar la plancha.
2. Precaliéntela hasta que la luz de la plancha se apague.
3. Añada mantequilla, margarina, aceite o grasa vegetal si lo desea.

Uso de la parrilla eléctrica

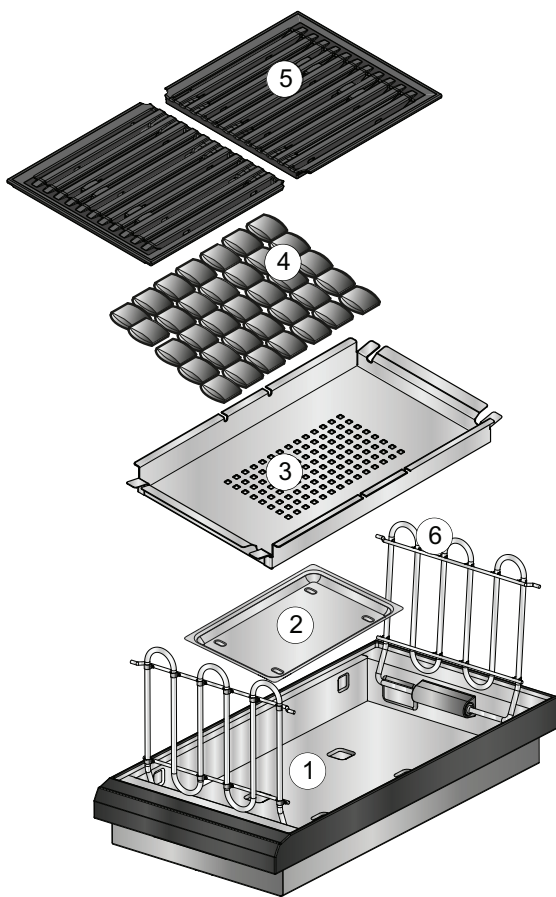
(parrilla disponible con algunos modelos)

Descripción

Las rejas de la parrilla empotrable están hechas de hierro colado de calidad profesional. Este material da a las rejillas una superficie que reparte uniformemente el calor y que es fácil de limpiar.

Se puede instalar una plancha de hierro colado antiadherente sin PTFE (*PAGRIDDLEN*), vendida por separado. Consulte las instrucciones del accesorio de la plancha para saber más detalles.

Ensamblaje de la parrilla



1. Caja de la parrilla
2. Bandeja para la grasa de la parrilla
3. Cesta de briquetas de cerámica
4. Briquetas de cerámica
5. Rejillas de la parrilla (x2)
6. Resistencias (x2)

1. Rote las resistencias (6) y quite la cesta de briquetas de cerámica situada dentro de la caja de la parrilla (1).
2. Instale la bandeja para grasa (2) debajo de la caja de la parrilla (1). (La bandeja de grasa está empaquetada en la caja de cartón grande de la estufa.) Alinee los salientes de la bandeja de grasa (2) con los huecos situado debajo de la caja (1).
3. Ponga la cesta de briquetas de cerámica (3) en la caja de la parrilla (1).
4. Coloque las briquetas de cerámica (4) en la cesta de briquetas (3), en una sola capa, para que cada una toque las briquetas adyacentes. Las briquetas de cerámica no deben estar en contacto con los elementos térmicos.
5. Empuje hacia abajo las dos resistencias de la parrilla (6). Las resistencias deben estar niveladas. Los soportes deben descansar dentro de los pestillos laterales.
6. Instale las rejillas de la parrilla (5). Asegúrese de que las rejillas estén instaladas a nivel con la caja de la parrilla (1).

Seguridad consejos a la parrilla

⚠ ADVERTENCIA!

- Para evitar todo riesgo de lesión, **NUNCA** use la parrilla si no hay rejillas o una plancha.
- **NUNCA** deje la parrilla sin atención mientras cocine.
- Tenga cuidado con el aceite y la grasa. Los aceites y grasas sobrecalentados pueden provocar incendios.
- NO utilice virutas, piedras de lava, o briquetas de carbón. Utilice sólo las briquetas de cerámica (*PABRICKBKN*) recomendadas.
- NO utilice platos, cacerolas, sartenes u otros utensilios sobre la parrilla.
- **Nunca utilice papel de aluminio para forrar las rejillas o la parrilla.** Esto puede dañar la parrilla y provocar un riesgo de incendio si el calor queda atrapado debajo.
- Compruebe las bandejas de grasa antes de cada utilización. La acumulación de mucha grasa puede presentar un riesgo de incendio.
- Si se producen llamas, limpie la grasa acumulada sobre las rejillas, la bandeja de grasa, la cesta de briquetas de cerámica y las otras superficies.
- Nunca use papel de aluminio para cubrir las rejillas o forrar piezas de la parrilla. Podría dañar la parrilla y causar un incendio si queda calor atrapado bajo la parrilla.
- Se deben sustituir las briquetas de cerámica cuando estén negras, lo que significa que están saturadas de grasa y pueden producir mucho humo o incluso prenderse.

IMPORTANTE:

- Si aparecen llamas mientras cocina con la parrilla, apague el aparato y quite los alimentos. Tenga cuidado de no lesionarse cuando quite los alimentos.
- A menudo, las llamas se apagan por sí solas al cabo de unos minutos, una vez se han quemado las acumulaciones de grasa. No deje la parrilla sin supervisión antes de que se hayan apagado las llamas. Se pueden sofocar las llamas espolvoreándolas con una generosa capa de bicarbonato de sodio o sal.
- Si aparecen llamas, sustituya las briquetas de cerámica y limpie las acumulaciones de grasa sobre las rejillas, la bandeja de grasa, la cesta de briquetas de cerámica y las otras superficies antes de volver a utilizar la parrilla. Las acumulaciones de grasa sin limpiar favorecen la formación de llamas y humo durante la cocción.
- Seque los alimentos húmedos antes de colocarlos sobre la parrilla.
- Cuanto más húmedo es un alimento, más humo es susceptible de producir.
- Durante la utilización de la parrilla, las acumulaciones de grasa pueden arder brevemente.



ADVERTENCIA!

- Utilice utensilios apropiados con mangos largos que le permitan manejar los alimentos evitando el calor y las posibles llamas.
- NO lleve ropa suelta cuando cocine.
- Nunca deje la parrilla sin supervisión cuando cocine.
- Después de cada utilización, quite las acumulaciones de grasa de las superficies de la parrilla y de las bandejas de grasa para evitar riesgo de incendio. Debería limpiar periódicamente la campana y las superficies alrededor de la parrilla según las recomendaciones del manual de uso.
- Tenga un extintor cerca y fácilmente accesible.

3. Durante el primer uso, caliente la parrilla durante unos diez minutos para eliminar los residuos y olores de fabricación.
4. Para obtener mejores resultados, deje que las rejillas se calienten antes de cocinar alimentos.
5. Una vez está la perilla en la posición OFF, el testigo luminoso se queda encendido durante unos cinco minutos para indicar la presencia de calor residual.

Consejos para cocinar a la parrilla

- Siempre precaliente la parrilla. Para cocinar a potencia máxima, precaliente la parrilla a HIGH durante diez minutos. Para cocinar a potencia media, precaliente la parrilla a HIGH durante cinco minutos, luego reduzca la temperatura cuando los alimentos estén sobre la parrilla.
- Remoje los palos de las brochetas en agua durante 20 minutos o más antes de ponerlos sobre la parrilla.
- Antes de cocinar alimentos a la parrilla, los puede untar con aceite resistente al calor (como aceite de cacahuets) o adobarlos. Tenga cuidado de no usar demasiado aceite o adobo; los alimentos podrían prenderse o generar mucho humo.
- Ponga los alimentos directamente sobre las rejillas de la parrilla. No use papel de aluminio o bandejas.
- La carne curada, como el jamón o las chuletas de cerdo ahumadas, no está hecha para ser cocida a la parrilla y puede generar la formación de compuestos químicos poco saludables.
- Para evitar que los alimentos se prendan, quite el exceso de grasa antes de cocinarlos.
- NO utilice productos de limpieza sobre las resistencias. Si hay grasa sobre las resistencias, deje el fogón encendido para que se quemé.
- Para absorber la grasa de las rejillas de la parrilla, eche sal gorda después de cada uso.
- Evite utilizar detergentes inflamables.

Funcionamiento de la parrilla

1. Antes de encender el aparato, asegúrese de que haya briquetas de cerámica en el aparato y que las dos rejillas de la parrilla estén instaladas correctamente.
2. Pulse la perilla de ajuste de temperatura y gírela.
 - Los mandos electrónicos de la parrilla permiten ajustar la potencia de LOW a HIGH. Las perillas no tienen ajustes fijos.
 - Las dos resistencias de la parrilla se pueden ajustar por separado, lo que le permite preparar alimentos a dos temperaturas distintas a la vez. También, puede usar una parte para preparar alimentos y la otra parte para mantenerlos calientes.

Recomendaciones para cocinar con la parrilla

IMPORTANTE:

- **NO SE DEBERÍA USAR LA PARRILLA SIN UNA VENTILACIÓN ADECUADA.**
- **No deberían prepararse alimentos muy grasientos sobre una parrilla interior. La cocción de alimentos grasientos (como algunas variedades de carne picada o de salchichas, etc.) aumenta las posibilidades de formación de humo y llamas.**

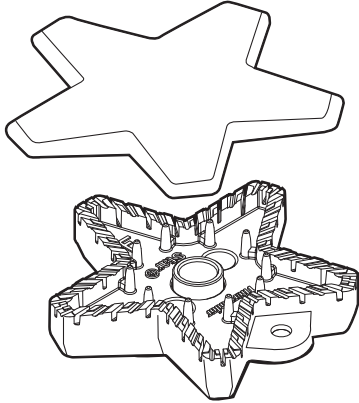
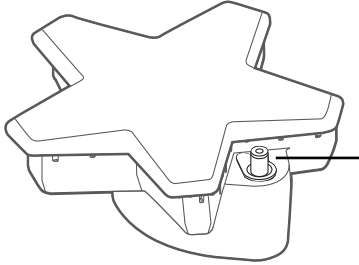
ALIMENTO*	AJUSTE**	TIEMPO DE COCCIÓN (MINUTOS)	NOTAS
Buey			
Hamburguesas, ¾" (2 cm) (al punto)	HIGH	12 – 14	Dar la vuelta cuando el jugo aparece en la superficie.
Solomillo, 1½" (4 cm) (al punto)	HIGH	20 – 22	Quitar el exceso de grasa.
Solomillo bajo o lomo, 1" (3 cm) (al punto)	HIGH	10 – 12	Quitar el exceso de grasa.
Brochetas de bistec (al punto)	HIGH	24 – 28	Dar la vuelta de vez en cuando.
Cerdo			
Chuletas de cerdo, ¾" (2 cm)	HIGH	16 – 20	Quitar el exceso de grasa.
Salchichas o Bratwurst	MED HIGH	16 – 20	Perforar antes de cocinar.
Perritos calientes	HIGH	6 – 8	Colocar horizontalmente sobre la parrilla.
Aves de corral			
Muslos	MED HIGH	34 – 38	Dar la vuelta de vez en cuando, quitar la piel que sobra.
Alas de pollo, enteras	MED HIGH	18 – 22	Dar la vuelta de vez en cuando.
Pechugas de pollo sin hueso, ½" (1 cm)	MED HIGH	20 – 24	Cortar en filetes del mismo tamaño.
Brochetas, pollo	HIGH	30 – 33	Dar la vuelta de vez en cuando.
Marisco			
Rodajas de pescado, 2" (6 cm)	MED HIGH	18 – 20	Untar con aceite antes de cocinar.
Fish fillet, ¾" (2 cm)	MED HIGH	16 – 20	Untar con aceite antes de cocinar.
Brochetas de gambas	MED HIGH	10 – 14	Dar la vuelta de vez en cuando.
Fruta y verdura fresca			
Champiñones portobello	HIGH	8 – 10	Untar con aceite antes.
Pimientos, cuartos	HIGH	8 – 10	Dar la vuelta de vez en cuando
Berenjenas, rodajas, ½" (1 cm)	HIGH	8 – 10	Untar con un poco de aceite
Tomates, mitades	HIGH	8 – 10	Untar con aceite
Piña, rodajas	HIGH	4 – 6	—
Melocotones, mitades	HIGH	4 – 6	—
Otro			
Panecillos de perrito caliente o hamburguesa	MED HIGH	4 – 6	Untar con mantequilla.
Tofu, extra firm, sliced	MED HIGH	8 – 12	Para un cocción fácil, hacer brochetas.
* Para una cocción uniforme, distribuya los alimentos sobre la superficie.			
** Los ajustes utilizados en la tabla deberían considerarse como referencia, ya que la cantidad de calor necesario puede variar según el tipo y las condiciones de los alimentos.			

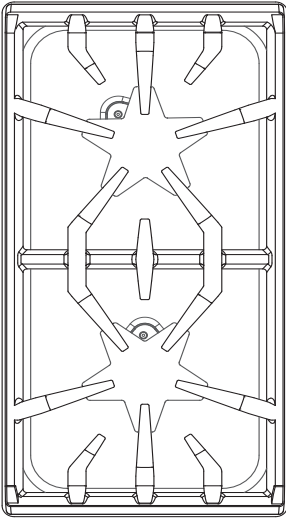
Limpieza

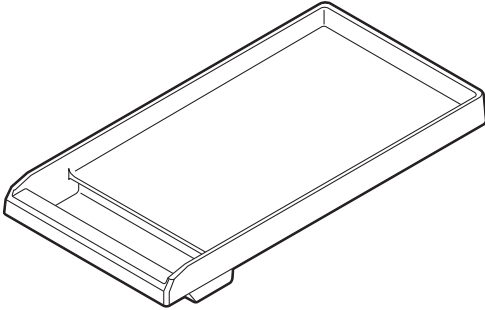
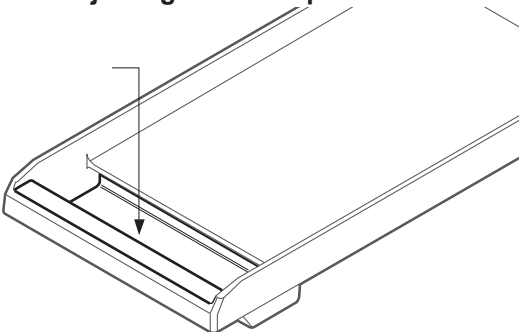
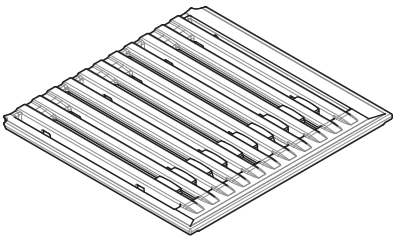
Nombres de marcas

El uso de nombres de marcas sirve únicamente para indicar un tipo de detergente y no constituye ninguna promoción. La omisión de un nombre de marca no implica su aptitud o insuficiencia. Muchos de los productos mencionados se pueden encontrar en los mercados locales. Es imprescindible usar todos los productos rigurosamente conforme a las instrucciones del empaque. La siguiente tabla da indicaciones para limpiar la estufa.

Recomendaciones de limpieza

PARTE/MATERIAL	NOTAS LIMPIADORES
<p>Base de quemador de latón STAR® y tapa de hierro fundido</p> 	<ul style="list-style-type: none">• Cepillo dental de cerdas de nylon duras para limpiar los orificios.• Después de limpiar, comprobar que la tapa de quemador STAR® queda bien colocada sobre la base de quemador STAR.• NO rasque ni raye los orificios de la tapa de quemador STAR.• Limpiadores sugeridos; enjuagar y secar bien<ul style="list-style-type: none">-- Agua caliente jabonosa-- Bon-ami®-- Cameo® Aluminum and Stainless Steel Cleaner-- Wright's® All Purpose Brass Polish-- Kleen King®
<p>Generadores de chispas Cerámica</p> 	<ul style="list-style-type: none">• NO utilice utensilios afilados para raspar los generadores de chispas. Son frágiles. Si se daña un generador de chispas, no podrá encender el quemador STAR®.• Limpiadores sugeridos:<ul style="list-style-type: none">-- Utilice un hisopo de algodón humedecido con agua-- Fantastik®
<p>Perillas de control / Metal Engastes / Cromado Rejillas Full Access® / Cromado</p>	<ul style="list-style-type: none">• NO sumergir las perillas.• NO colocar las perillas en el eje de válvula erróneo.• Limpiadores sugeridos; enjuagar y secar bien<ul style="list-style-type: none">-- Utilice un hisopo de algodón humedecido con agua

PARTE/MATERIAL	NOTAS LIMPIADORES
<p>Acabado exterior / Protección trasera Acero inoxidable</p>	<ul style="list-style-type: none"> • El acero inoxidable es resistente a la mayoría de manchas y marcas de comida, siempre que se mantenga la superficie limpia y protegida. • Frótelo ligeramente en la dirección de las líneas de pulido. • El cloro y los compuestos clorados de algunos limpiadores son corrosivos para el acero inoxidable. Compruebe los ingredientes en la etiqueta. • Limpiadores sugeridos; enjuagar y secar bien: <ul style="list-style-type: none"> -- Utilice un hisopo de algodón humedecido con agua -- Fantastik® -- Siege® Stainless Steel and Aluminum Cleaner -- Kleen King® Stainless Steel Liquid Cleaner -- Lustrador: Stainless Steel Magic® para proteger el acabado contra las manchas y marcas; mejora el aspecto. -- THERMADOR Stainless Steel Conditioner (0057669) -- Manchas de agua difíciles: vinagre doméstico. • Decoloración por calor; enjuagar y secar bien: <ul style="list-style-type: none"> -- Cameo® -- Barkeepers Friend® -- Zud® -- Wright's® All Purpose Brass Polish
<p>Parrillas Esmalte de porcelana en hierro fundido</p> 	<ul style="list-style-type: none"> • Las parrillas son pesadas; levántelas con cuidado. Colóquelas sobre una superficie protegida. • A veces, la textura áspera de las rejillas puede arrancar virutas de aluminio de la parte inferior de las sartenes y rellenar los espacios entre las ranuras elevadas de la superficie de las rejillas. Ponga especial atención cuando cocine con sartenes y ollas de latón y de aluminio, ya que esos tipos de utensilios suelen dejar depósitos de metal sobre las rejillas. • Las ampollas, grietas y descascarados son comunes debido a las temperaturas extremas en las garras de la parrilla y los súbitos cambios de temperatura. • Los productos muy ácidos o con mucha azúcar derramados deterioran el esmalte. Elimine los restos inmediatamente. • Los limpiadores abrasivos pueden deteriorar el esmalte si se utilizan con demasiada frecuencia o vigor. • Limpiadores sugeridos; enjuagar y secar bien: <ul style="list-style-type: none"> -- Utilice un hisopo de algodón humedecido con agua -- Fantastik® -- Bon-ami® -- Soft Scrub® • Manchas difíciles; enjuagar y secar bien: <ul style="list-style-type: none"> -- Estropajo de lana de acero enjabonado -- Lestoil® -- Otro desengrasante • Depósitos de metal: <ul style="list-style-type: none"> -- Estropajo de restregar Scotch Brite® -- Estropajo de acero

PARTE/MATERIAL	NOTAS LIMPIADORES
<p>Plancha Aluminio con revestimiento antiadherente</p> 	<ul style="list-style-type: none"> • No vierta NUNCA agua fría sobre una plancha caliente. Podría deformarse o agrietarse. • NO limpie ninguna parte de la parrilla o la plancha en un horno con autolimpieza. • Limpie la superficie de la plancha con agua caliente jabonosa y enjuáguela con agua caliente. Séquela con un paño suave. • Si se adhieren partículas de comida en la placa de la plancha, elimínelas con un limpiador abrasivo suave como Soft Scrub®. • Limpiadores sugeridos; enjuagar y secar bien: <ul style="list-style-type: none"> -- Utilice un hisopo de algodón humedecido con agua -- Póngala en el lavavajillas -- Soft Scrub®
<p>Bandeja de grasa de la plancha</p> 	<ul style="list-style-type: none"> • Extraiga la bandeja cuando se haya enfriado la grasa. Procure que no se llene tanto que al ladearla para extraerla se vierta la grasa. • Limpie la bandeja para grasa después de cada uso. • Limpiadores sugeridos; enjuagar y secar bien: <ul style="list-style-type: none"> -- Utilice un hisopo de algodón humedecido con agua -- Póngala en el lavavajillas -- Soft Scrub®
<p>Rejillas de la parrilla Esmalte de porcelana en hierro fundido</p> 	<ul style="list-style-type: none"> • Limpie las rejillas después de cada uso. • Coloque la rejilla de la parrilla en el fregadero y eche agua hirviendo sobre la rejilla. Coloque un trapo de cocina sobre ella y eche más agua sobre el trapo. Deje que los residuos se remojen. Rasque todos los residuos con un estropajo jabonoso. • Manchas difíciles; Soft Scrub®. • Limpiadores sugeridos; enjuagar y secar bien: <ul style="list-style-type: none"> -- Utilice un hisopo de algodón humedecido con agua -- Póngala en el lavavajillas -- Soft Scrub® -- Cepillo con hilos de latón suaves para las manchas tenaces. Los cepillos de alambres rígidos pueden arañar el revestimiento de porcelana de las rejillas y provocar que se oxiden antes de tiempo. • Manchas difíciles; enjuagar y secar bien: <ul style="list-style-type: none"> -- Estropajo de lana de acero enjabonado -- Lestoil® -- Otro desengrasante

PARTE/MATERIAL	NOTAS LIMPIADORES
<p>Briquetas de cerámica, Cesta de briquetas de cerámica, y Bandeja para la grasa de la parrilla</p> 	<ul style="list-style-type: none"> • Sugerencia de limpieza para las briquetas de cerámica; <ol style="list-style-type: none"> 1) Coloque cuidadosamente las briquetas de cerámica saturadas de grasa en un recipiente grande de seis litros o más. 2) Rellene el recipiente con agua limpia para que las briquetas estén cubiertas por al menos media pulgada de agua. 3) Lleve el agua a ebullición y déjela hervir durante 10 minutos. 4) Apague el fuego y deje que el agua se enfríe hasta una temperatura segura. 5) Tire el agua y seque las briquetas con un trapo viejo o servilletas de papel. 6) Deje que las briquetas se sequen al aire ambiente durante un mínimo de dos horas. Es posible que las briquetas tengan manchas de grasa permanentes después de la limpieza. 7) Vuelva a colocar las briquetas limpias y secas en la parrilla antes de volver a utilizarla. • Puede comprar nuevas briquetas de cerámica en la tienda electrónica de THERMADOR (número de pieza: <i>PABRICKBKN</i>). Consulte el dorso para obtener más información sobre el soporte técnico. <p>PRECAUCIÓN:</p> <ul style="list-style-type: none"> -- Se deben sustituir las briquetas de cerámica cuando estén negras, lo que significa que están saturadas de grasa y pueden producir mucho humo o incluso prenderse. <ul style="list-style-type: none"> • Detergentes recomendados para la cesta y la bandeja de grasa; enjuagar y secar bien: <ul style="list-style-type: none"> -- Utilice un hisopo de algodón humedecido con agua -- Póngala en el lavavajillas
<p>Bandejas de protección de la superficie Esmalte de porcelana (acabado brillante)</p> 	<ul style="list-style-type: none"> • Si se usan limpiadores como Bar Keeper's Friend[®], Bon-ami[®], Comet[®] o Ajax[®], frote suavemente, ya que estos limpiadores pueden rayar el acabado. • Para comidas quemadas, pueden usarse estropajos enjabonados o de lana de acero. Hay que tener cuidado, ya que pueden rayar el acabado. • Limpiadores sugeridos; enjuagar y secar bien: <ul style="list-style-type: none"> -- Utilice un hisopo de algodón humedecido con agua -- Soft Scrub[®] -- Bar Keeper's Friend[®] -- Bon-ami[®] -- Comet[®] -- Ajax[®] • Manchas difíciles; enjuagar y secar bien: <ul style="list-style-type: none"> -- Estropajo de lana de acero enjabonado

Antes de solicitar servicio

Antes de solicitar servicio, compruebe lo siguiente para evitar cargos innecesarios de servicio.

Asegúrese de comprobar primero estos puntos:

- ¿Hay un apagón en el área?
- ¿Se quemó un fusible en la casa o se activó el disyuntor?
- ¿Está conectada la placa de cocción a la alimentación eléctrica?

Cuando no se prenden los quemadores

- ¿Las tapas de los quemadores están bien alineados y asentados en sus bases?
- ¿Están tapados los puertos de los quemadores?
- ¿Se quemó un fusible en la casa o se activó el disyuntor?
- ¿Está cerrada la válvula de cierre del gas, impidiendo el suministro de gas?

Placa de señalización

La placa de señalización, que indica el número de modelo y el número de serie de su placa de cocción, se encuentra en la parte inferior del armazón, cerca de la parte delantera de la placa de cocción. Esa información es necesaria si se requiere ayuda técnica en atención al cliente. Antes de la instalación, escriba en los espacios apropiados de esta página el número de modelo y el número de serie. Es difícil tener acceso a esta información una vez el aparato ha sido instalado.

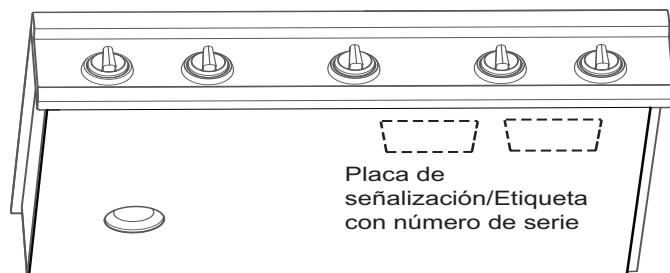


Figura 19: Ubicación de la placa de señalización

Información para el servicio técnico

Para una consulta útil, anote aquí abajo la información de la placa de señalización. Conserve su factura para que su garantía sea válida.

Número de modelo _____

Número de serie _____

Fecha de compra _____

Además, anote esta información en el formulario de registro del producto que se incluye con esta estufa.

Registre su producto BSH para asegurarse de recibir un servicio oportuno y de tener acceso a la información relativa a su producto. Puede registrar su producto de las siguientes formas:

1. Enviando por correo la carta de registro del producto THERMADOR.
2. Registrando su producto en línea www.thermador.com.
3. Llamando al teléfono de atención al cliente de THERMADOR 1-800-735-4328.

Resolución de problemas

SÍNTOMA	CAUSA POSIBLE	REMEDIO
Chispas intermitentes	<ul style="list-style-type: none"> Encendedor sucio o húmedo. Puertos del quemador tapados. 	<ul style="list-style-type: none"> Secar o limpiar bien el encendedor. Limpiar puertos de la tapa del quemador con un alambre, una aguja o un clip enderezado.
Más de cuatro chasquidos del encendedor antes de prender	<ul style="list-style-type: none"> La tapa del quemador no cabe en la base del quemador. 	<ul style="list-style-type: none"> Alinear la tapa del quemador sobre la base del quemador.
Chispas constantes	<ul style="list-style-type: none"> La toma de tierra de la estufa está mal hecha. Alimentación eléctrica está mal polarizada. 	<ul style="list-style-type: none"> Consultar instrucciones de instalación. Contratar a un eléctrico cualificado para realizar la toma de tierra.
Los encendedores producen chispas, pero no se encienden las llamas.	<ul style="list-style-type: none"> La válvula del suministro de gas está en la posición "OFF". 	<ul style="list-style-type: none"> Abra la válvula de suministro de gas del aparato.
Las luces y los quemadores no se encienden	<ul style="list-style-type: none"> No hay alimentación eléctrica. 	<ul style="list-style-type: none"> Asegúrese de que el automático esté en la posición adecuada. Asegúrese de que el voltaje de la línea de alimentación eléctrica sea el adecuado.
Los alimentos no cuecen lo suficiente en la hornilla.	<ul style="list-style-type: none"> El plato utilizado no es adecuado. El aparato no está nivelado. 	<ul style="list-style-type: none"> Consulte la sección "Recomendaciones para los utensilios de cocina" en el Manual de uso y cuidado. Consulte el Manual de instalación para obtener instrucciones de nivelación del aparato.

Declaración de garantía limitada del producto

Cobertura de esta garantía y a quiénes se aplica

La garantía limitada otorgada por BSH Home Appliances Corporation (BSH) en esta Declaración de Garantía Limitada del Producto se aplica únicamente al electrodoméstico THERMADOR® vendido a usted, el primer comprador usuario, siempre que el Producto haya sido Comprado:

- Para uso doméstico (no comercial) normal y que haya sido utilizado en todo momento únicamente para fines domésticos normales.
- Nuevo en una tienda minorista (que no sea un producto de exhibición, ni un producto vendido "en las condiciones en que se encuentra" ni un modelo devuelto anteriormente) y no esté destinado para reventa ni uso comercial.
- Dentro de los Estados Unidos o Canadá, y permanezca en todo momento dentro del país de compra original.

Las garantías incluidas en el presente se aplican únicamente al primer comprador del Producto y no son transferibles.

Asegúrese de devolver su tarjeta de registro; si bien no es necesario para hacer efectiva la cobertura de la garantía, es la mejor manera para que BSH le notifique en el caso poco probable de que se emita un aviso de seguridad o se retire del mercado un producto.

Duración de la garantía

Producto fabricado después del 1 de enero de 2012 cuyo número es igual o superior a FD920100000: BSH garantiza que el producto está exento de defectos de materiales y mano de obra por un período de (365) días desde la fecha de compra. El período mencionado precedentemente empieza a contarse en la fecha de compra y no se interrumpe, demora, amplía ni suspende por ninguna razón.

Producto fabricado después del 1 de enero de 2012 cuyo número es igual o superior a FD920100000: BSH garantiza que el producto está exento de defectos de materiales y mano de obra por un período de setecientos treinta (730) días desde la fecha de compra. El período mencionado precedentemente empieza a contarse en la fecha de compra y no se interrumpe, demora, amplía ni suspende por ninguna razón.

También se garantiza que este Producto no presenta defectos estéticos en el material ni en la mano de obra (como rayas en el acero inoxidable, imperfecciones en la pintura/porcelana, astillas, abolladuras ni ningún otro daño

en el acabado del Producto) durante un período de treinta (30) días desde la fecha de compra o fecha de cierre para una nueva construcción. Se excluyen de esta garantía por defectos estéticos las variaciones leves de color que se deban a diferencias inherentes a las piezas pintadas y de porcelana, así como diferencias provocadas por la iluminación de la cocina, la ubicación del producto u otros factores similares. Se excluye específicamente de esta garantía por defectos estéticos cualquier electrodoméstico en exposición, de piso, vendido "en el estado en que se encuentra" o de segunda selección.

Reparación / reemplazo como único recurso

Durante el período de esta garantía, BSH o uno de sus proveedores de servicio técnico autorizados reparará su Producto sin cargo para usted (con sujeción a determinadas limitaciones especificadas en el presente documento) si se prueba que su Producto ha sido fabricado con un defecto en los materiales o en la mano de obra. Si se ha intentado de manera razonable reparar el Producto sin éxito, BSH reemplazará su Producto (es posible que usted tenga disponibles modelos mejorados, a entera discreción de BSH, con un cargo adicional). Todas las piezas y los componentes extraídos serán propiedad de BSH, a su entera discreción. Todas las piezas reemplazadas o reparadas se considerarán como la pieza original a los fines de esta garantía, y esta garantía no será extensible a dichas piezas. En virtud del presente documento, la única y exclusiva responsabilidad y obligación de BSH es únicamente reparar el Producto defectuoso de fábrica, a través de un proveedor de servicio técnico autorizado por BSH durante el horario de oficina. Por cuestiones de seguridad y daños materiales, BSH recomienda encarecidamente que no intente reparar el Producto usted mismo ni usar un proveedor de servicio técnico no autorizado; BSH no será responsable ni tendrá obligación alguna sobre las reparaciones o trabajos realizados por un centro de servicio técnico no autorizado. Si usted prefiere que una persona que no sea proveedor de servicio técnico autorizado trabaje en su Producto, **ESTA GARANTÍA SE ANULARÁ AUTOMÁTICAMENTE.** Los proveedores de servicio técnico autorizados son aquellas personas o compañías que han sido especialmente capacitadas para manejar los productos de BSH y que tienen, según el criterio de BSH, una reputación superior de servicio con el cliente y capacidad técnica (debe tener en cuenta que son entidades independientes y no son agentes, socios, afiliados ni representantes de BSH). Sin perjuicio de lo anterior, BSH no tendrá responsabilidad ni obligación alguna sobre el Producto que se encuentre en un área remota (a más de 100 millas de un proveedor de servicio técnico autorizado) o en un lugar, área circundante o entorno que no sea accesible por medios razonables o que sea peligroso, hostil o arriesgado; en cualquier caso, cuando lo solicite, BSH de

todas maneras pagará por la mano de obra y las piezas, y enviará las piezas al proveedor de servicio técnico autorizado más cercano, pero usted seguirá siendo totalmente responsable del tiempo de viaje y demás cargas especiales de la compañía de servicio técnico, suponiendo que acepte hacer la visita de servicio técnico.

Producto fuera de garantía

BSH no tiene obligación alguna, en virtud de la ley o por otro motivo, de otorgarle ninguna concesión, incluidos reparaciones, prorrates o reemplazo del Producto, con posterioridad al vencimiento de la garantía.

Exclusiones de la garantía

La cobertura de garantía descrita en el presente documento excluye todos los defectos o daños que no fueron provocados directamente por BSH, incluidos, entre otros, alguno de los siguientes:

- Uso del Producto de maneras distintas del uso normal, habitual y previsto (incluidos, entre otros, cualquier forma de uso comercial, uso o almacenamiento en exteriores de un producto diseñado para interiores, uso del Producto en aeronaves o embarcaciones).
- Conducta indebida, negligencia, uso indebido, abuso, accidentes, descuido, operación inadecuada, omisión de mantenimiento, instalación inadecuada o negligente, adulteración, omisión de seguir las instrucciones de operación, manipulación inadecuada, servicio técnico no autorizado (incluidos "arreglos" o exploración de los mecanismos internos del electrodoméstico realizados por uno mismo) por parte de cualquier persona.
- Ajuste, alteración o modificación de cualquier tipo.
- Incumplimiento de los códigos, reglamentaciones o leyes de electricidad, fontanería o construcciones locales estatales, municipales o de condado, incluida la omisión de instalar el producto cumpliendo estrictamente con los códigos y las reglamentaciones locales de construcción y protección contra incendios.
- Desgaste habitual, derrames de alimentos, líquidos, acumulaciones de grasa u otras sustancias que se acumulen sobre el Producto, dentro o alrededor de este.
- Y cualquier fuerza o factor externo, elemental o ambiental, incluidos, entre otros, lluvia, viento, arena, inundaciones, incendios, aludes de lodo, temperaturas bajas extremas, humedad excesiva o exposición prolongada a la humedad, rayos, sobrecargas eléctricas, fallos estructurales alrededor del electrodoméstico y caso fortuito, circundantes, incluidos los gabinetes, pisos, techos y demás estructuras u objetos que se encuentren alrededor del producto. También se excluyen de esta garantía las rayas, hendiduras, abolladuras menores y daños estéticos en superficies externas y piezas expuestas; productos en los que los números de serie hayan sido alterados, modificados o eliminados; visitas del

servicio técnico para enseñarle a usar el Producto o visitas en las que se determine que no hay ningún problema con el Producto; corrección de los problemas de instalación (usted es el único responsable de cualquier estructura y soporte del Producto, incluidas todas las instalaciones de electricidad y fontanería o demás instalaciones de conexión, de la correcta instalación en bases / pisos y de cualquier alteración, incluidos, entre otros, gabinetes, paredes, pisos, repisas, etc.); y el restablecimiento de disyuntores o fusibles.

EN LA MEDIDA PERMITIDA POR LA LEY, ESTA GARANTÍA ESTABLECE SUS RECURSOS EXCLUSIVOS CON RESPECTO AL PRODUCTO, INDEPENDIENTEMENTE DE QUE LA RECLAMACIÓN SEA CONTRACTUAL O EXTRA CONTRACTUAL (INCLUIDA LA RESPONSABILIDAD OBJETIVA O LA NEGLIGENCIA), O DE CUALQUIER OTRO MODO. ESTA GARANTÍA REEMPLAZA TODAS LAS DEMÁS GARANTÍAS EXPRESAS O IMPLÍCITAS. LAS GARANTÍAS IMPLÍCITAS POR LEY, YA SEA DE COMERCIABILIDAD O APTITUD PARA UN FIN ESPECÍFICO, O DE CUALQUIER OTRO TIPO, TENDRÁN VIGENCIA ÚNICAMENTE DURANTE EL PERÍODO DE VIGENCIA DE LA PRESENTE GARANTÍA LIMITADA EXPRESA.

EN NINGÚN CASO, EL FABRICANTE SERÁ RESPONSABLE DE LOS DAÑOS CONSECUENTES, ESPECIALES, INCIDENTALES, INDIRECTOS, POR "PÉRDIDAS COMERCIALES" O DAÑOS PUNITIVOS, PÉRDIDAS O GASTOS, INCLUIDOS, ENTRE OTROS, TIEMPO FUERA DEL TRABAJO, HOTELES O COMIDAS EN RESTAURANTES, GASTOS DE REMODELACIÓN QUE SUPEREN LOS DAÑOS DIRECTOS, QUE DEFINITIVAMENTE HAYAN SIDO CAUSADOS DE MANERA EXCLUSIVA POR BSH O DE OTRO MODO. ALGUNOS ESTADOS NO PERMITEN LA EXCLUSIÓN O LIMITACIÓN DE DAÑOS INCIDENTALES O CONSECUENTES, Y ALGUNOS ESTADOS NO PERMITEN LIMITACIONES CON RESPECTO AL PLAZO DE VIGENCIA DE UNA GARANTÍA IMPLÍCITA; POR LO TANTO, ES POSIBLE QUE LAS LIMITACIONES ANTERIORES NO SE APLIQUEN A USTED. ESTA GARANTÍA LE OTORGA DERECHOS LEGALES ESPECÍFICOS, Y TAMBIÉN PUEDEN CORRESPONDERLE OTROS DERECHOS QUE PUEDEN VARIAR SEGÚN EL ESTADO.

Cualquier intento de alterar, modificar o enmendar la presente garantía no tendrá vigencia, a menos que fuera autorizado por escrito por un ejecutivo de BSH.

Nos reservamos el derecho a modificar el producto sin previo aviso.

THERMADOR® Service/Entretien/Mantenimiento

Service

We realize that you have made a considerable investment in your kitchen. We are dedicated to supporting you and your appliance so that you have many years of creative cooking.

Please don't hesitate to contact our excellent STAR™ Customer Support Department if you have any questions or in the unlikely event that your THERMADOR® appliance needs service. Our service team is ready to assist you.

USA:
800-735-4328
www.thermador.com/support

Canada:
800-735-4328
www.thermador.ca

Parts & Accessories

Parts, filters, descalers, stainless steel cleaners and more can be purchased in the THERMADOR eShop or by phone.

USA:
www.thermador-eshop.com

Canada:
Marcone 800-287-1627
or
Reliable Parts 800-663-6060

Entretien

Nous savons bien que vous avez investi une somme considérable dans votre cuisine. Nous nous faisons un devoir de vous soutenir pour que vous puissiez profiter pleinement d'une cuisine où vous pourrez exprimer toute votre créativité de nombreuses années durant.

N'hésitez pas à communiquer avec l'un des membres chevronnés de notre équipe de soutien au client si vous avez des questions ou dans le cas plutôt improbable où votre appareil THERMADOR^{MC} aurait besoin d'entretien. Notre équipe sera prête à vous aider.

É.-U. :
800-735-4328
www.thermador.com/support

Canada:
800-735-4328
www.thermador.ca

Pièces et Accessoires

Vous pouvez vous procurer par téléphone ou à notre boutique THERMADOR en ligne des pièces, des filtres, des produits nettoyants pour acier inoxydable et plus encore.

É.-U. :
www.thermador-eshop.com

Canada:
Marcone 800-287-1627
or
Reliable Parts 800-663-6060

Mantenimiento

Nos damos cuenta que Usted invirtió una suma considerable en su cocina. Nos dedicamos a atenderle para que pueda sacar provecho de una cocina donde podrá expresar toda su creatividad durante muchos años.

Por favor, no dude en ponerse en contacto con uno de nuestros empleados ESTRELLAS™ de atención al cliente si tiene preguntas o en el caso más bien improbable que su aparato THERMADOR® necesite mantenimiento. Nuestro equipo estará listo para ayudarle.

EEUU:
800-735-4328
www.thermador.com/support

Canadá:
800-735-4328
www.thermador.ca

Piezas y Accesorios

Usted puede comprar piezas, filtros, productos de limpieza para acero inoxidable por teléfono o en nuestra tienda THERMADOR en línea.

EEUU:
www.thermador-eshop.com

Canadá:
Marcone 800-287-1627
or
Reliable Parts 800-663-6060

Thermador 

REAL INNOVATIONS FOR REAL COOKS®

1901 Main Street, Suite 600, Irvine, CA 92614 • 800-735-4328 • www.thermador.com
9000942461 • 5U05MS • Rev. A • © BSH Home Appliances Corporation, 05/14