

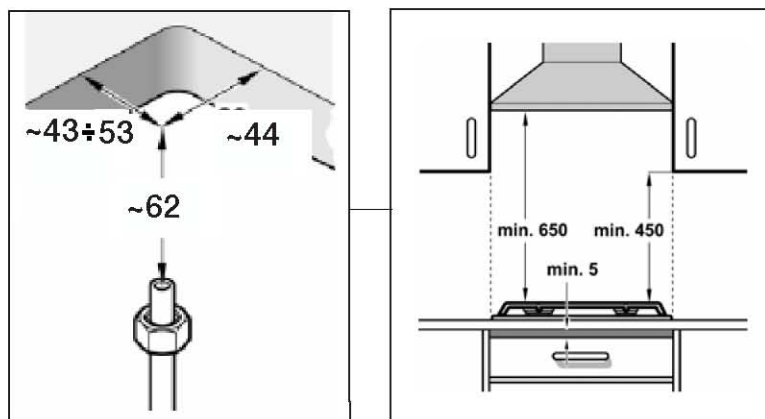
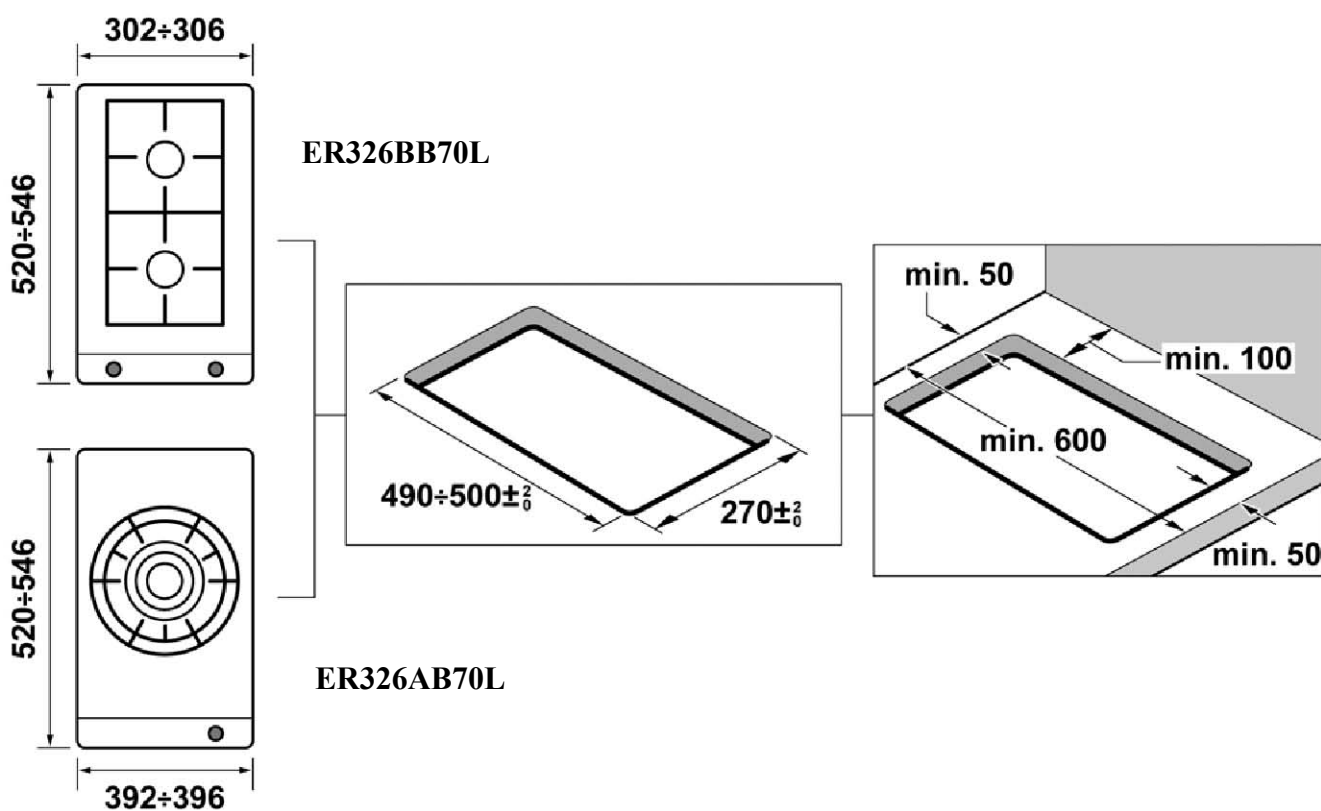
en Assembly instructions
please keep

SIEMENS

zh 西門子石油氣爐 安裝指引 請保留此指引

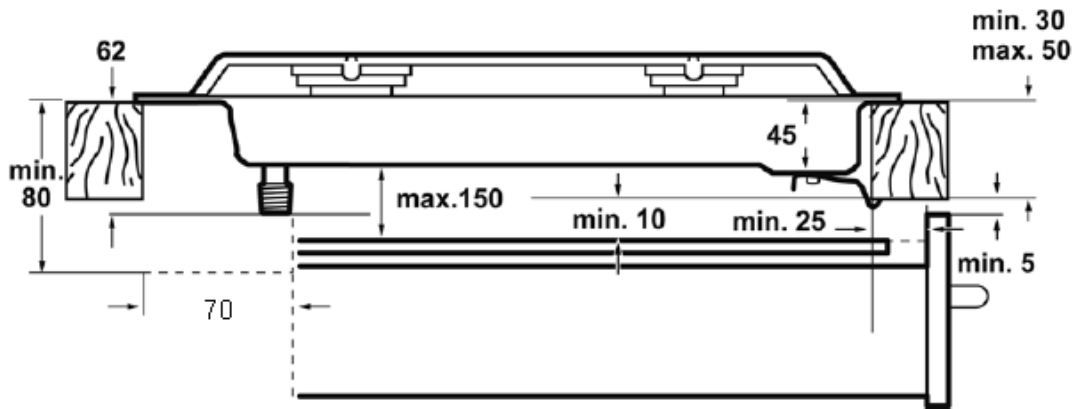
ER326AB70L & ER326BB70L

1



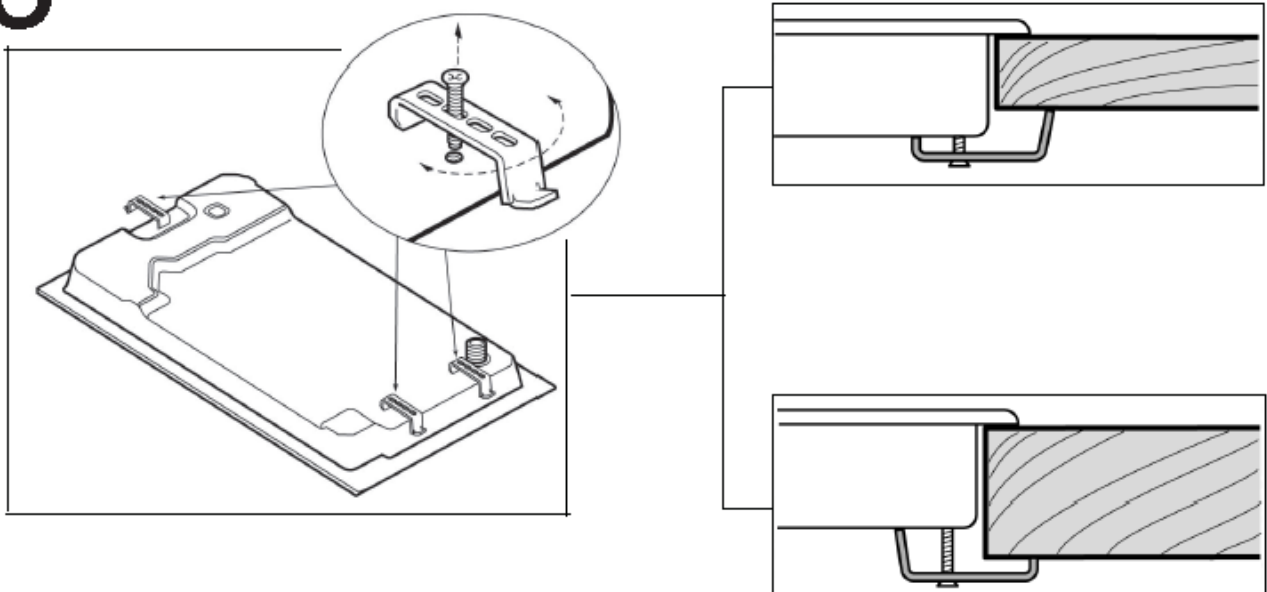
Measurements in mm

2



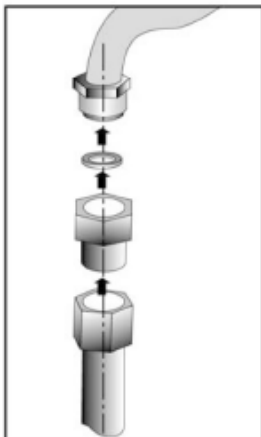
Measurements in mm

3

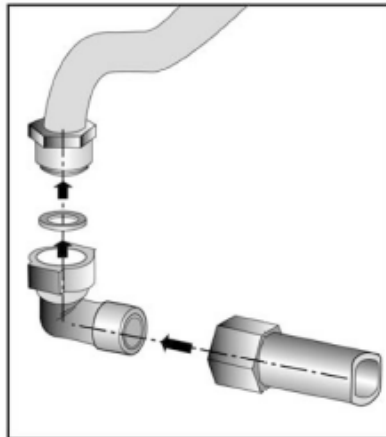


4

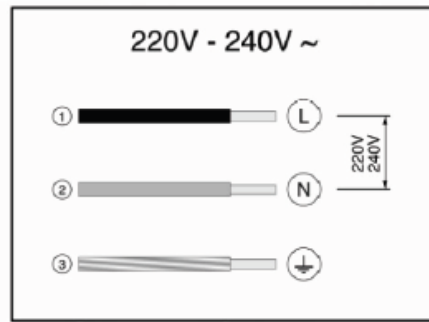
4a



4b



5



en

Read the appliance's instructions before installing and using. The graphics in these Assembly instructions are given as a guide only. **The manufacturer is exempt from all liability if this manual's requirements are not complied with.**

Attention!

According to the Gas Safety Regulations of Hong Kong, any gas installation works including the installation of appliances and connection tubing, must be undertaken by registered gas installers who are registered for that appropriate classes and be employed by registered gas contractors.

Safety instructions

Use approved gas tubing bearing EMSD approval marking (such as : 機電工程署批准 EMSD APPROVAL GTXXXX) for connection to appliances, or other appropriate methods accepted by EMSD.

Please do not use additional fitting, such as aluminum cover. This appliance has been designed for home use only. This appliance cannot be installed on yachts or in caravans.

Before installing, you need to check that local distribution conditions (gas type and pressure) and the appliance's adjustment are compatible. The appliance's adjustment conditions are written on the label or the specifications plate. This appliance can only be installed in a well-ventilated place in accordance with existing regulations and ventilation specifications. The appliance must not be connected to a combustion product evacuation device.

The supply cable must be attached to the unit to prevent it from touching hot parts of the oven or hob.

Appliances with electrical supply must be earthed.

Do not tamper with the appliance's interior. If necessary, call our mechanical Assistance Service.

When installing built-in gas hob on top of stove cabinet, please check that there is provision for ventilation at the cabinet to ensure proper operation of the gas hob.

Do not store any flammable materials, sprays or pressurized containers inside the stove cabinet.

The panel of this built-in hob is made of ceramic glass which is safer than normal glass for this application. However, the following safety precautions for using built-in hob with glass top panel should also be noted in order to prevent the glass top panel from breaking:

- 1. Clean the burner assembly frequently to maintain a clear gas passage on the flame distributor. Clean and tidy up the flame distributor after spillage of food and liquid once the burner assembly cooled down.**
- 2. Turn off the gas appliance immediately if abnormal noise propagates from the gas appliance and contact gas supply company or gas hob importer for inspection.**
- 3. Do not use oversized utensils for cooking.**
- 4. Do not impact the glass surface with hard objects or place heavy objects on the glass surface.**

Before installing

This appliance is class 3 type, according to the EN 30-1-1 regulation for gas appliances: built-in appliance. These individual appliances can be combined with other identical appliances and/or with conventional hobs of the same make, using the joint accessory. See the catalogue for details.

The units next to the appliance must be made of non-flammable materials. The laminated covering and glue for adhering it must be heat resistant.

This appliance cannot be installed above fridges, washing machines, dishwashers or similar.

An oven must have a power cooling fan to install a hob above it.

Check the oven's dimensions in its installation manual.

If an extractor fan is installed, you must follow the installation manual's instructions, always keeping a minimum distance of 650 mm to the hob.

Preparation of kitchen unit (fig. 1-2)

Make an appropriate size cut in the work surface.

If the hob is electric or mixed (gas and electricity) and there is no oven below, place a non-flammable separator (e.g. metal or plywood) 10 mm from the bottom of the hob. This will prevent access to the base of the hob.

If the hob is gas, it is recommendable to place the separator at the same distance.

On wood work surfaces, varnish the cutting surfaces with a special glue. This protects them from moisture which could collect under the work surface.

Installation of appliance

The clips and the adhesive seal (underside of the hob) are factory-fitted: do not under any circumstances remove them. The seal ensures that the entire work surface will be watertight, and prevents water seepage. In order to fit the appliance into the kitchen unit, first place the hob in the correct position then loosen each of the clips so that they all turn freely (it is not necessary to completely undo them).

Insert and centre the hob. Press the sides of the hob until it is supported around its entire perimeter. Turn the clips and tighten them fully. Fig. 3

Removal of hob

Turn off the appliance's electricity and gas supply.

Unscrew the clips and proceed in the reverse order to installation.

Gas connection (fig. 4)

The end of the inlet connection point of the gas hob has a 1/2" thread that allows for:

- fixed connection.

- connection using a flexible metal pipe.

In this case, it is necessary to insert the accessory (427950) and the watertight seal (034308) supplied between the manifold outlet and the gas supply.

Fig. 4a.

In this case, you must prevent the pipe from coming into contact with moving parts of the kitchen unit being inserted (for example, a drawer) and prevent access to any spaces which might become obstructed.

If you need to connect the gas supply horizontally, our Technical Assistance Service can supply you with an L-tube (code 173018) and a seal (code 034308). Fig. 4b. **Warning!** If any connection is handled, check the seal. Danger of leaks.

The manufacturer is not liable for any connection leaking, after being handled.

Electric connection (fig. 5)

Check that the voltage and power of the appliance are compatible with the electrical installation.

The hobs are supplied with a power cable with or without a wall socket plug.

Provide an omnipolar cut-off switch with a minimum contact separation of 3 mm (except for plug connections, if the user has access to it).

Appliances with plugs must only be connected to sockets that have earth wires correctly installed.

This appliance is type "Y": the supply cable can only be changed by the Technical Assistance Service and not the user. The cable type and minimum cross-section must be respected.

zh

安全說明

注意! 根據香港氣體安全規例，任何氣體裝置工程，包括爐具和接駁喉管的安裝，必須由註冊氣體裝置技工執行，而該技工已於相關的氣體工程類別註冊及受聘於註冊氣體工程承辦商。本爐具僅可根據現行規例及通風規範在良好通風之處安裝。

使用認可印有機電工程署批准標記 (例如：機電工程署批准 EMSD APPROVAL GTXXXX) 的氣體接駁喉管連接爐具，或使用機電工程署接納的其他恰當方法。

注意: 涉及安裝、調校氣體等之所有操作，必須由註冊氣體裝置技工執行，而該技工已於相關的氣體工程類別註冊及受聘於註冊氣體工程承辦商。

安裝技師需注意氣體及電力供應商的標準和規格。

安裝前，請關上爐具的供電及供氣。

本爐具設計成僅供家居使用。本爐具不可裝於遊艇上或活動房屋內。

安裝前須檢查本地的供氣狀況(氣體種類及氣壓)與爐具的調節相匹配。爐具的調節條件載於標籤或規範銘牌上。當在灶櫃面安裝嵌入式氣體煮食爐時，灶櫃應設有透氣設施，以確保煮食爐在使用時操作正常。

不應將易燃物料、噴霧及壓縮容器放置在灶櫃內。

此煮食爐的面板是用陶瓷玻璃製造，較一般玻璃安全。唯使用嵌入式玻璃面板煮食爐時還須注意以下事項，以避免玻璃面板爆裂：

1. 經常清潔爐頭組件以保持火蓋焰孔暢通，如滾瀉食物及汁液，應在爐頭組件冷卻後儘快作出妥善清理。
2. 如煮食爐出現不尋常聲音，應即停用並安排氣體供應公司或爐具進口商檢查。
3. 切勿使用過大的器皿煮食。
4. 切勿以硬物撞擊或將重物放置於玻璃面板。

本爐具僅可根據現有規例及通風規範在良好通風之處安裝。

供電線必須直接接到爐具以防接觸爐灶或爐架的熱部件。

帶供電的爐具必須接地。

請勿隨便更動本爐具的內部組件。如有必要，請電話聯繫我們的技術支援服務部。

安裝前

根據燃氣爐具 EN 30-1-1 規例，本電器為 3 類置入式爐具。使用接駁配件，這些個別爐具可與同類其他爐具結合及/或同類普通爐架結合使用，詳見產品目錄介紹。

爐具旁邊的器具必須用非易燃物材料製成。分層蓋及粘接膠水必須防熱。本爐具不可裝於冰箱、洗衣機、洗碗機或類似電器之上。焗爐必須有一臺強力冷卻風機以在其上面安裝本爐具。

檢查安裝說明書上焗爐的尺寸。若裝有抽風機，必須遵守安裝手冊指引，經常保持離爐架 650mm 的最小距離。

廚房裝置的準備(圖 1-2)

在工作檯面上作出合適尺碼的切口。如爐架使用電或氣電混合且下面並無焗爐，在離爐架底 10mm 處放用非易燃分隔件（即金屬或夾板）。此舉可防止觸及爐架基座。

如用氣體爐，建議將分隔件置於相同距離。

在木質工作檯面用特種膠將切口拋光。此舉可保護檯面免受潮，因潮濕會在工作檯面下積聚。

爐具的安裝

夾子及黏貼密封（在爐架下側）乃出廠時配置。任何情況下切勿將它們移除。密封確保整個工作檯面成為防水式，並防止水滲泄。

為將爐具裝進廚櫃裝置，首先將爐具放在正確的位置，然後鬆開每只夾子令其均可自由轉動（不必完全鬆開它們）。放入爐具並將其置中。

按下爐具側邊直到其整個周邊得到支承。轉動夾子並完全收緊它們。

見圖3。

爐具拆除

關上爐具的供電和供氣。

鬆開夾子的螺絲並按安裝之相反步驟進行。

供氣接駁(圖 4)

有 1/2" 螺紋供：

- 固定接駁。

- 用撓性金屬管接駁。

此時須在歧管出口和供氣之間插入配件(427950) 及水密封件(034308)，見圖 4a。

此時，須防止管子接觸插入的廚櫃裝置動件（如抽屜），並防止接觸可能變為受堵塞的任何地方。

若要水平接駁供氣，我們的技術支援服務處可提供直角管(編碼 173018)及密封件（編碼 034308），見圖4b
警告! 進行任何接駁時均須檢查密封件。

泄漏的危險

接駁處理後製造商不承擔任何接駁泄漏的責任。

供電接駁(圖 5)

檢查確保爐具的電壓及功率與供電裝置的相匹配。

隨爐提供一條供電電纜，連同或不帶牆裝插座插頭。

提供一隻最小接觸分離 3mm 的單極切斷開關（如用戶接觸它，插頭連接除外）。

帶插頭的爐具只可駁至正確安裝接地線的插座。

此爐具為“Y”型供電，電纜只能由技術支援服務處而非用戶更改。電纜的種類及最小橫切面必須遵從。