

en Installation instructions

Free-standing appliance

en Table of Contents

Using the installation instructions	3	Changing the door handle	4
Installation location	3	Fitting the wall spacer	4
Changing over the door hinges	3	Aligning the appliance	4

Using the installation instructions



Please fold out the illustrated last page. These installation instructions refer to several models.

The diagrams may differ.

Installation location

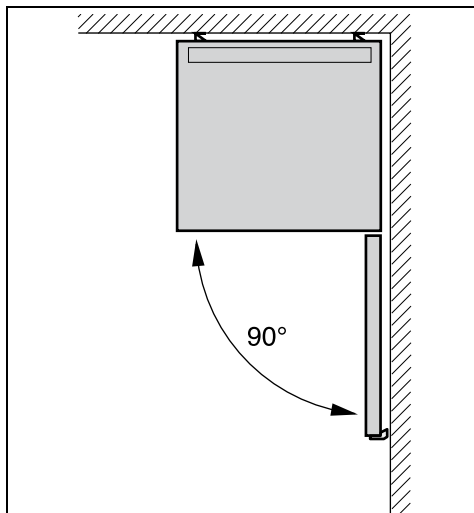
A dry, well ventilated room is suitable as an installation location. The installation location should not be exposed to direct sunlight and not placed near a heat source, e.g. a cooker, radiator, etc. If installation next to a heat source is unavoidable, use a suitable insulating plate or observe the following minimum distances from the heat source:

- 3 cm to electric or gas cookers.
- 30 cm to an oil or coal-fired cooker.

The floor of the installation location must not give way; if required, reinforce floor. If the floor is uneven, compensate with supports.

Distance from wall

When installing the appliance, ensure that the door can be opened by 90°.



Changing over the door hinges

(if required)

We recommend that you have the door hinges changed over by our customer service. You can find out the costs for changing over the door hinges from your appropriate customer service.

Warning

While changing over the door hinges, ensure that the appliance is not connected to the power supply. Pull out the mains plug beforehand. To prevent damaging the back of the appliance, place adequate padding underneath. Carefully place the appliance on its back.

Change over the door hinges in numerical sequence. Fig. **1**

* Not all models.

Changing the door handle

(if required)

Fig. **2**

Change the door handle in numerical sequence.

Fitting the wall spacer

Fig. **3**

If available:

Fit wall spacers to obtain the indicated energy rating of the appliance.

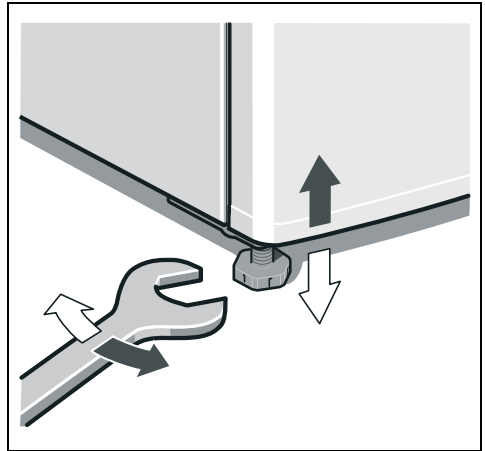
A reduced wall gap will not restrict the function of the appliance. The energy rating may then increase slightly.

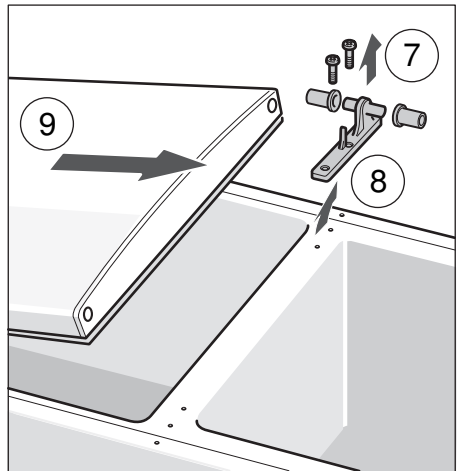
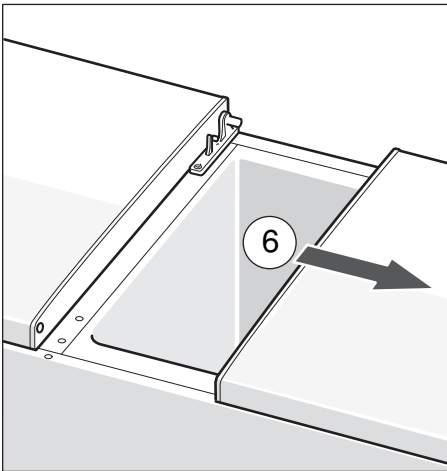
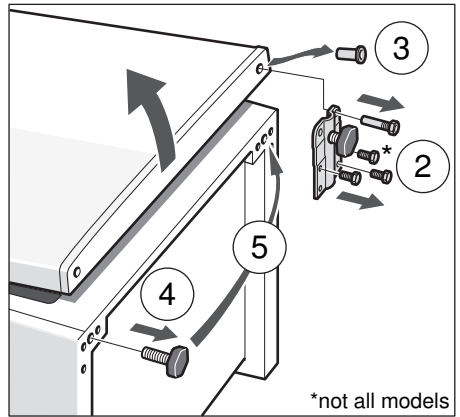
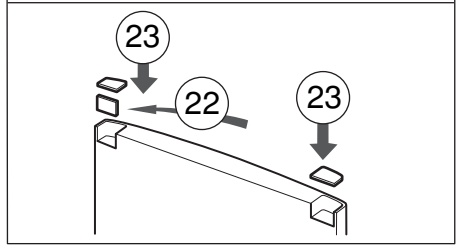
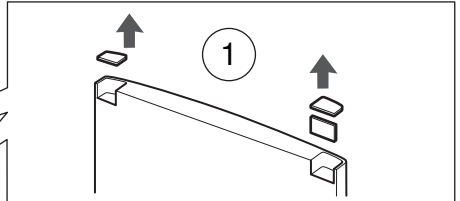
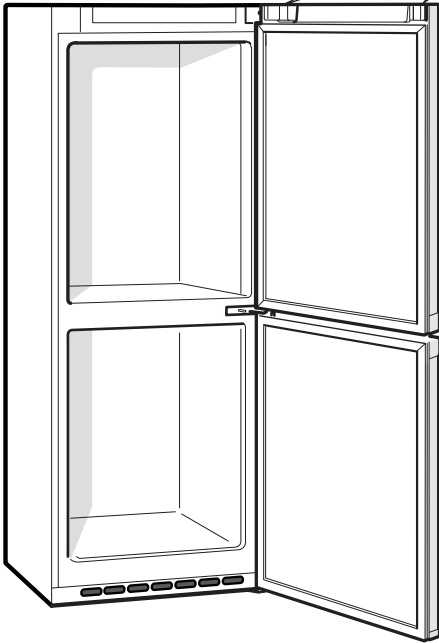
Aligning the appliance

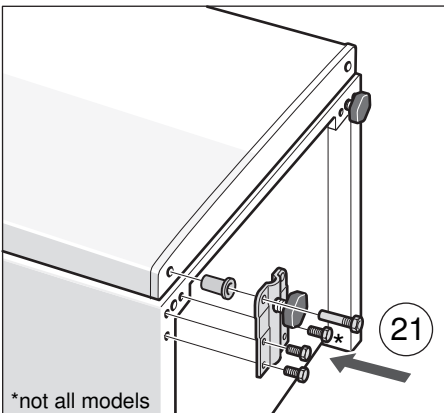
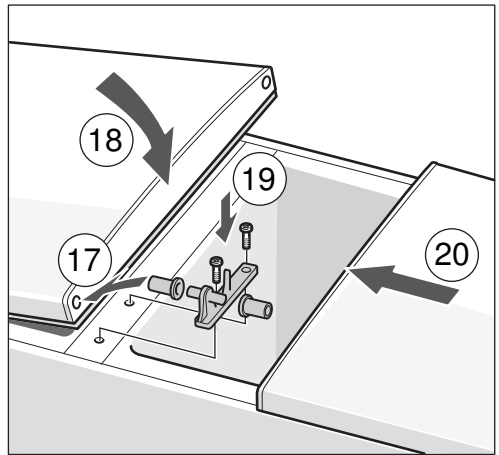
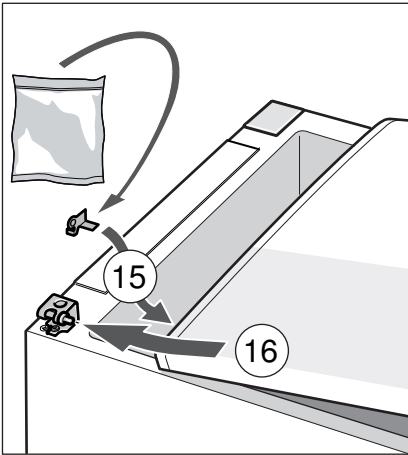
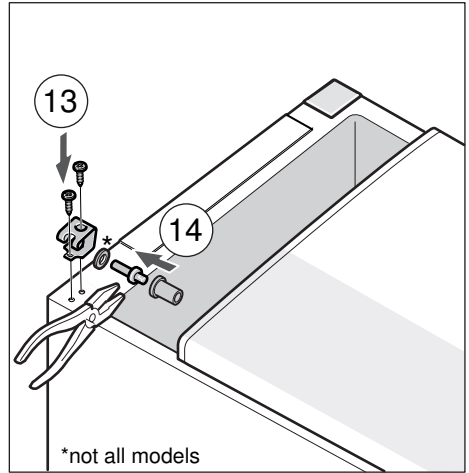
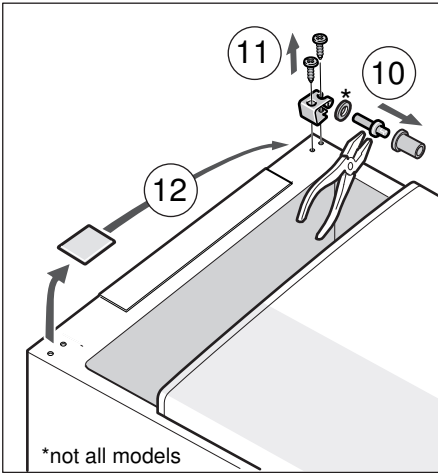
Place the appliance in the designated location and align. The appliance must be level. If the floor is uneven, use the front height-adjustable feet. Adjust the height-adjustable feet with a wrench.

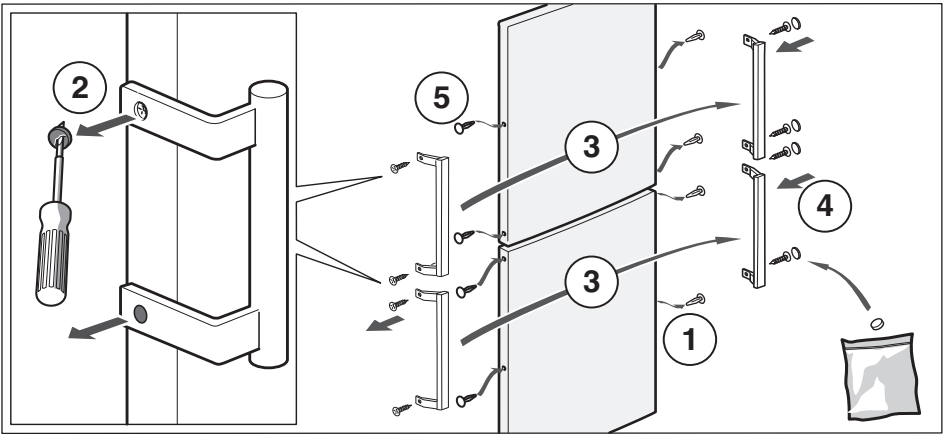
Note

The appliance must be upright. Please align it with a spirit level.

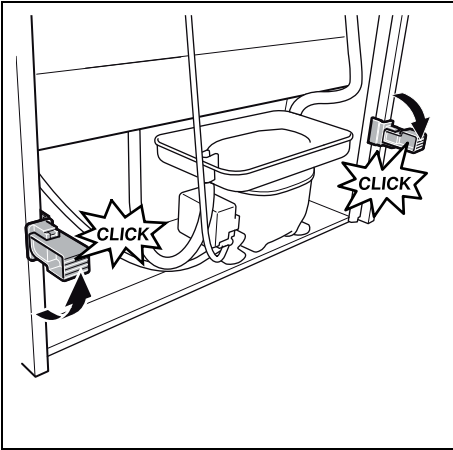








2



3

