

USE AND CARE GUIDE

THERMADOR PROFESSIONAL® PRO HARMONY®
GAS RANGES

GUIDE D'UTILISATION ET D'ENTRETIEN

CUISINIÈRES GAZ PROFESSIONAL^{mc} PRO HARMONY^{mc}
DE THERMADOR

MANUAL DE USO Y CUIDADO

PARA ESTUFAS DE GAS PROFESSIONAL® PRO HARMONY®
DE THERMADOR

**Models/
Modèles/
Modelos:**

PRG304GH
PRG364GDH
PRG366GH
PRG486GDH
PRL304GH
PRL364GDH
PRL366GH
PRL486GDH

Thermador [®]
REAL INNOVATIONS FOR REAL COOKS[®]



Congratulations on your recent THERMADOR® purchase! Whether you are a dedicated chef or simply a connoisseur of the art of cooking, owning a THERMADOR kitchen is the ultimate expression of personal style, good taste and an appreciation for the complete culinary experience. Our award-winning products have been empowering culinary enthusiasts for more than eleven decades.

Before you begin using your new THERMADOR product, please take a moment to review the Use and Care Guide. You will find the answers to all of your questions as well as some very important safety information. Pay special attention to the **Important Safety Instructions** located at the beginning of the manual. Your THERMADOR product is ready and waiting to be used for your next gourmet creation!

Our products are handcrafted with the highest quality authentic materials to ensure years of reliable service. In the unlikely event that you have a service question, please have your model and serial numbers of your product available. You can find this information behind the toe kick panel area of the range.

We realize that you have made a considerable investment in your kitchen. Please feel free to share your THERMADOR kitchen photos and remodeling stories with us. Follow us on Twitter or post your kitchen photos on Facebook. We would love to hear from you!

THERMADOR wishes you many years of creative cooking.

Félicitations pour votre récent achat THERMADOR^{mc}! Que vous soyez un chef enthousiaste ou un simple connaisseur de l'art culinaire, le fait de posséder une cuisine THERMADOR représente l'expression ultime de votre style personnel, de votre bon goût et de votre intérêt à vivre une expérience culinaire complète. Nos produits primés permettent à des adeptes de la bonne bouffe d'atteindre de nouveaux sommets depuis plus de onze décennies.

Avant de commencer à utiliser votre nouveau produit THERMADOR, veuillez prendre un moment pour examiner ce guide d'utilisation et d'entretien. Vous trouverez des réponses à toutes vos questions ainsi que quelques renseignements essentiels en matière de sécurité. Portez une attention particulière aux **Instructions de sécurité importantes** se trouvant au début du guide. Votre produit THERMADOR est prêt et n'attend plus que vous l'utilisiez pour votre prochaine création gastronomique!

Nos produits sont fabriqués à la main avec des matériaux authentiques de haute qualité afin d'assurer des années de service fiable. Dans l'éventualité improbable où vous auriez une question relativement à l'entretien, veuillez avoir à la portée de la main le numéro de série et de modèle de votre produit. Vous pouvez trouver cette information derrière la plinthe de la cuisinière.

Nous savons bien que vous avez investi une somme considérable dans votre cuisine. N'hésitez pas à partager avec nous les photos de votre cuisine THERMADOR et les anecdotes relatives au remodelage de votre cuisine. Suivez-nous sur Twitter ou affichez des photos de votre cuisine sur Facebook. Nous serions ravis d'avoir de vos nouvelles!

THERMADOR vous souhaite de nombreuses années de gastronomie créative.

Thermador [®]
REAL INNOVATIONS FOR REAL COOKS[®]

¡Enhorabuena por la reciente compra de su THERMADOR®! Que Usted sea un gran jefe de cocina o un simple aficionado del arte culinario, el hecho de poseer una cocina THERMADOR es la última expresión de su estilo personal, de su buen gusto y de su apreciación de una experiencia culinaria completa. Nuestros premiados productos permiten al entusiasta de la cocina explorar este mundo desde hace más de once décadas.

Antes de comenzar a utilizar su nuevo producto THERMADOR, tómese un momento para echar un vistazo a este manual de uso y mantenimiento. Encontrará respuestas a todas sus preguntas además de informaciones esenciales en materia de seguridad. Ponga especial atención a las **Instrucciones de seguridad importantes**, situadas al principio del manual. ¡Su producto THERMADOR está listo y solo espera a que Usted lo use para su próxima creación gastronómica!

Nuestros productos se fabrican a mano con materiales auténticos de alta calidad a fin de garantizar años de servicio fiable. En el caso improbable en que Usted tenga una pregunta relativa al mantenimiento, tenga a mano el número de serie y el modelo de su producto. Puede encontrar esta información detrás del rodapié de la estufa.

Nos damos cuenta de que Usted invirtió una suma considerable en su cocina. No dude en compartir con nosotros las fotos de su cocina THERMADOR y anécdotas acerca de la reforma de su cocina. Síguenos en Twitter o publique fotos de su cocina en Facebook. ¡Estaremos encantados de tener noticias tuyas!

¡THERMADOR le desea varios años de gastronomía creativa!

Thermador  [®]
REAL INNOVATIONS FOR REAL COOKS [®]

Table of Contents

Safety	1	Convection	23
Before You Begin	7	Dehydrating Foods with Convection Bake ..	25
Description	10	Baking Recommendations	26
48" Model Identification	10	Setting Bake/Convection Bake/ Extended Bake	26
36" Model Identification	11	Other Uses of Bake	27
30" Model Identification	11	Broil	28
Using The Cooktop	12	Setting Broil	28
Operation of the Burners	13	Broiling & Roasting Recommendations	29
Cookware Recommendations	16	Care and Maintenance	30
Specialty Cookware	17	Range Cleaning	30
Cooking Recommendations	17	Cleaning Recommendations	31
Surface Burner Recommendations	18	Do-It-Yourself Maintenance	34
Using the Griddle	20	Before Calling for Service	36
Griddle Cooking Recommendations	21	Statement of Limited Product Warranty	37
Using the Oven	22	THERMADOR® Customer Support, Accessories & Parts	back page
Tips for Bake	22		

This THERMADOR® appliance is made by
BSH Home Appliances Corporation
1901 Main Street, Suite 600
Irvine, CA. 92614

Questions?

1-800-735-4328

www.thermador.com

We look forward to hearing from you!

Safety



IMPORTANT SAFETY INSTRUCTIONS READ AND SAVE THESE INSTRUCTIONS

PLEASE READ CAREFULLY

WARNING:

If the information in this manual is not followed exactly, a fire or explosion may result causing property damage, personal injury or death.

- Do not store or use gasoline or other flammable vapors and liquids in the vicinity of this or any other appliance.
- WHAT TO DO IF YOU SMELL GAS
 - DO NOT try to light any appliance.
 - DO NOT touch any electrical switch.
 - DO NOT use any phone in your building.
 - Immediately call your gas supplier from a neighbor's phone. Follow the gas supplier's instructions.
 - If you cannot reach your gas supplier, call the fire department.
- Installation and service must be performed by a qualified installer, service agency or the gas supplier.

WARNING:



A child or adult can tip the range over and be killed. Verify that the anti-tip bracket is securely installed. Ensure the anti-tip bracket is engaged when the range is moved.

Do not operate the range without the anti-tip bracket in place. Failure to follow the instructions in this manual can result in death or serious burns to children and adults.

Check for proper installation and use of anti-tip bracket. Carefully tip range forward pulling from the back to ensure that the anti-tip bracket engages the range leg and prevents tip-over. Range should not move more than 1" (2.5 cm).

Gas and Electrical Requirements and Grounding Instructions

Gas Type Verification

Verify the type of gas supplied to the location. Ensure that the appliance is connected to the type of gas for which it is certified. Models come from the factory certified for use with natural gas or with propane (LP) gas. Make certain your range and gas type are the same. Refer to the product rating label which can be located as indicated on *page 36*.

CAUTION:

When connecting the unit to propane gas, make certain the propane gas tank is equipped with its own high-pressure regulator in addition to the pressure regulator supplied with the range. **The maximum gas pressure to this appliance must not exceed 14.0" water column (34.9 mb) from the propane gas tank to the pressure regulator.**

IMPORTANT:

When installing against a combustible surface, a High Shelf or Low Back guard is required. A THERMADOR® High Shelf or Low Back guard must be purchased separately. Before using the range, insure that it is equipped with a proper back guard. Refer to the *Installation Manual* accompanying this appliance for more information.

When using the Flush Island Trim, THERMADOR recommends a minimum 12" (305 mm) rear clearance to a combustible surface. Clearances from non-combustible materials are not part of the ANSI Z21.1 scope and are not certified by CSA. Clearances of less than 12" (305 mm) must be approved by the local codes and/or by the local authority having jurisdiction.

Before using the range, ensure that it is equipped with a proper backguard. Refer to the *Installation Manual* accompanying this appliance for more information.



IMPORTANT SAFETY INSTRUCTIONS

READ AND SAVE THESE INSTRUCTIONS

WARNING:

To avoid possible burn or fire hazard, a back guard designed specifically for this range must be installed whenever the range is used.

CAUTION:

The high shelf can get hot! **DO NOT** place the following items on top of the high shelf:

- plastics or containers that can melt
- flammable items
- a total load over 30 lbs. (13.6 kg)

WARNING:

ALWAYS DISCONNECT THE ELECTRICAL PLUG FROM THE WALL RECEPTACLE BEFORE SERVICING THIS UNIT.

CAUTION:

FOR PERSONAL SAFETY, THIS APPLIANCE MUST BE CONNECTED TO A PROPERLY GROUNDED AND POLARIZED ELECTRICAL POWER SUPPLY.

30" Gas Model:

120 volts, 60 Hz., 10 Amp electrical circuit required.

36" Gas Models:

120 volts, 60 Hz., 10 Amp electrical circuit required. 36" gas range with electric griddle - 20 Amp circuit required.

48" Gas Models with electric griddle:

120 volts, 60 Hz., 20 Amp electrical circuit required.

It is recommended that a dedicated circuit servicing this appliance be provided. See Installation Instructions for electrical requirements and grounding instructions.

The use of gas cooking appliances results in the production of heat and moisture.

It is the personal responsibility and obligation of you, the user, to have this appliance connected to the electrical power supply by a qualified electrician, in accordance with the National Electrical Code and/or applicable local codes and ordinances.

WARNING:

IN CASE OF AN ELECTRICAL FAILURE

If for any reason a gas control knob is turned ON and there is no electrical power to operate the electronic igniters on the range's cooktop STAR[®] burners, **turn OFF the gas control knob and wait 5 minutes** for the gas to dissipate before lighting the STAR burner manually.

To light the STAR burners manually, carefully hold a lighted match to the STAR burner ports and turn the gas control knob to HI.

During a power failure, you can use the standard cooktop STAR burners, but each must be lit with a match.

DO NOT attempt to light the two left XLO[®] STAR burners manually. These STAR burners are equipped with the ExtraLow[®] feature and cannot be lit manually.

TESTED IN ACCORDANCE WITH:

- UL 858, The Standard for the Safety of Household Electric Ranges
- ANSI Z21.1, The American National Standard for Household Cooking Gas Appliances
- CAN 1-1.1-M81, Domestic Gas Ranges
- CSA C22.2 No. 61, Household Cooking Ranges

Check your local building codes for the proper method of installation. In the absence of local codes, this unit should be installed in accordance with the National Fuel Gas Code No. Z223.1 current issue and the National Electrical Code ANSI/NFPA No. 70 current issue or the Can - B149 Installation Codes for Gas Burning Appliances and C22.1 Canadian Electrical Code Part 1.

It is the responsibility of the owner and the installer to determine if additional requirements and/or standards apply to specific installations.

Safety Practices to Avoid Personal Injury

When properly cared for, your new THERMADOR PROFESSIONAL[®] range has been designed to be a safe, reliable appliance. However, use extreme care when using this restaurant caliber range as this type of appliance provides intense heat. When using kitchen appliances, basic safety precautions must be followed, including the following:



IMPORTANT SAFETY INSTRUCTIONS

READ AND SAVE THESE INSTRUCTIONS

Read this Use and Care Guide carefully before using your new range, to reduce the risk of fire, electrical shock, or injury to persons.

Ensure proper installation and servicing. Follow the installation instructions provided with this product. Have the range installed and electrically grounded by a qualified technician.

Have the installer show you where the electric circuit breaker and the gas supply shut off valve are located so you know how and where to turn off the gas and electricity to the range.

In the event a STAR[®] burner goes out and gas escapes, open a window or a door. **DO NOT** attempt to use the range until the gas has had time to dissipate. Wait at least 5 minutes before using the range.

DO NOT repair or replace any part of the appliance unless specifically recommended in this manual. All servicing should be referred to a qualified technician.

Child Safety

When children become old enough to use the appliance, it is the legal responsibility of the parents or legal guardians to ensure that they are instructed in safe operation of the appliance by qualified persons.

DO NOT allow children to use this appliance unless closely supervised by an adult.

Children and pets should not be left alone or unattended in the area where the appliance is in use. They should never be allowed to play in its vicinity, whether or not the appliance is in use.

NEVER use any part of the range or ovens for storage. Flammable materials can catch fire and plastic items may melt or ignite.

DO NOT allow anyone to climb, stand, lean, sit, or hang on any part of an appliance, especially a door. This can damage the appliance, and the unit may tip over, potentially causing severe injury.

WARNING:

DO NOT store items of interest to children above or at the back of the range. If children should climb onto the appliance to reach these items, they could be seriously injured.

DO NOT hang articles from any part of the appliance or place anything against the ovens. Some fabrics are quite flammable and may catch on fire.

If the range is near a window, be certain the curtains do not blow over or near the range STAR burners; they could catch on fire.

WARNING:

TO REDUCE THE RISK OF A GREASE FIRE:

- Never leave surface units unattended at high settings. Boilovers cause smoking and greasy spillovers that may ignite. Heat oils slowly on low or medium settings.
- Always turn hood ON when cooking at high heat or when flambéing food (i.e. Crepes Suzette, Cherries Jubilee, Peppercorn Beef Flambé).
- Clean hood filters frequently. Grease should not be allowed to accumulate on fan or filter.
- Use proper pan size. Always use cookware appropriate for the size of the cooktop burner.

ALWAYS have a working smoke detector near the kitchen. In the event that personal clothing or hair catches fire, drop and roll immediately to extinguish flames.

Have an appropriate fire extinguisher available, nearby, highly visible and easily accessible near the cooking appliance.

Smother flames from food fires, other than grease fires, with baking soda. Never use water on cooking fires.

Whenever possible, do not operate the ventilation system during a cooktop fire. However, **DO NOT** reach through fire to turn it off.

NEVER let clothing, potholders, or other flammable materials come in contact with or too close to any element, top burner or burner grate until it has cooled. Fabric may ignite and result in personal injury.

Use only dry potholders: moist or damp potholders on hot surfaces may cause burns from steam. **DO NOT** use a towel or other bulky cloth in place of potholders. **DO NOT** let potholders touch hot elements, hot burners, or burner grates.

DO NOT use aluminum foil to line any part of the oven or range. Use of a foil liner could result in a shock or fire hazard, or the obstruction of the flow of combustion and ventilation air. Foil is an excellent heat insulator and heat will be trapped beneath it. This will upset the cooking performance and can damage the finish of the oven or the range.



IMPORTANT SAFETY INSTRUCTIONS

READ AND SAVE THESE INSTRUCTIONS

When using the cooktop: **DO NOT TOUCH THE BURNER GRATES OR THE IMMEDIATE SURROUNDING AREA.** Areas adjacent to the burners may become hot enough to cause burns.

Never leave the range unattended when using high flame settings. Boil overs cause smoking and greasy spillovers that may ignite. Also, if the burner flames and igniter are smothered with spillage, unburned gas will escape into the room. See “*WHAT TO DO IF YOU SMELL GAS*” on page 1 regarding gas leaks.

Only certain types of glass, heatproof glass-ceramic, ceramic, earthenware, or other glazed cookware are suitable for cooking on the range burners. This type of cookware may break with sudden temperature changes. Use only on low or medium heat settings according to the utensil manufacturer’s directions.

For personal safety, wear proper apparel. Loose fitting garments or hanging sleeves should never be worn while using this appliance. Some synthetic fabrics are highly flammable and should not be worn while cooking.

WARNING:

The appliance is for cooking. Based on safety considerations, never use the oven or cooktop to warm or heat a room. Also, such use can damage the cooktop or oven parts.

WARNING:

TO REDUCE THE RISK OF INJURY TO PERSONS, IN THE EVENT OF A RANGE TOP GREASE FIRE, OBSERVE THE FOLLOWING:

- Smother flames with a close-fitting lid, cookie sheet, or other metal tray, then turn off the gas burner or the electric element. Be careful to prevent burns. If the flames do not go out immediately, evacuate and call the fire department.
- Never pick up a flaming pan — you may be burned.
- **DO NOT USE WATER**, including wet dish cloths or towels — a violent steam explosion will result.
- Use an extinguisher only if:
 - You know you have a class ABC extinguisher and you already know how to operate it.
 - The fire is small and contained in the area where it started.
 - The fire department is being called.
- You can fight the fire with your back to an exit.

WARNING:

WARNING — RANGE TIPPING HAZARD:

- All ranges can tip and injury can result. To prevent accidental tipping of the range, attach it to the floor, wall, or cabinet by installing the Anti-Tip Device supplied.
- A risk of tip-over may exist if the appliance is not installed in accordance with these instructions.
- If the range is pulled away from the wall for cleaning, service, or any other reason, ensure that the Anti-Tip Device is properly reengaged when the range is pushed back against the wall. In the event of abnormal usage (such as a person standing, sitting, or leaning on an open door), failure to take this precaution can result in tipping of the range. Personal injury might result from spilled hot liquids or from the range itself.

WARNING:

NEVER cover any slots, holes, or passages in the oven bottom or cover an entire rack with materials such as aluminum foil. Doing so blocks air flow through the oven. Aluminum foil linings may also trap heat, causing a fire hazard.

DO NOT heat or warm unopened food containers. Build-up of pressure may cause the container to burst and cause injury.

During cooking, set the burner control so that the flame heats only the bottom of the pan and does not extend beyond the bottom of the pan.

Avoid using high flame setting with a pan larger than the grate or with one that spans more than one burner, such as a griddle, for prolonged periods of time. This can result in poor combustion that generates harmful by-products.

Use caution to insure that drafts like those from forced air vents or fans do not blow flammable material toward the flames or push the flames so that they extend beyond the edges of the pot.

Always use pots and pans that have flat bottoms large enough to cover the burner. The use of undersized pots and pans could expose a portion of the flame and may result in ignition of clothing.

DO NOT use pots or pans on the grill plate accessory. Bakeware, such as large casserole pans, cookie sheets, etc., should never be used on the cooktop.



IMPORTANT SAFETY INSTRUCTIONS

READ AND SAVE THESE INSTRUCTIONS

To minimize the risk of burns, ignition of flammable materials and unintentional spillage, position handles of pots and pans inward so they do not extend over adjacent work areas, cooking areas, or the edge of the range's cooktop.

DO NOT use flammable cleaners to clean the range.

Hold the handle of the pan to prevent movement when stirring or turning food.

Remove the optional cutting board or griddle cover accessory, which is stored on top of the griddle plate, before operating the griddle or any adjacent burners.

After a spill or boil over, turn off the burner and using caution due to possible hot surfaces, clean around the burner and burner ports. After cleaning, check for proper operation.

GREASE IS FLAMMABLE. Let hot grease cool before attempting to handle it. Avoid letting grease deposits collect. Clean after each use.

WARNING:

NEVER use this appliance as a space heater to heat or warm the room. Doing so may result in carbon monoxide poisoning and overheating of the oven.

For proper lighting and performance of the burners, keep the igniter ports clean. It is necessary to clean the ports when there is a boil over or when the burner does not light even though the electronic igniters activate. See cleaning instructions "*Brass Burner Base and Cast Iron Cap*" on page 31.

Clean the range with caution. Avoid steam burns; **DO NOT** use a wet sponge or cloth to clean the range while it is hot. Some cleaners produce noxious fumes if applied to a hot surface. Follow directions provided by the cleaner manufacturer.

Be sure all cooktop controls are turned off and the cooktop is cool before using any type of aerosol cleaner on or around the cooktop. The chemical that produces the spraying action could, in the presence of heat, ignite or cause metal parts to corrode.

When using the oven do not touch the broiler, the interior surfaces of the oven or the exterior area immediately surrounding the door. Interior oven surfaces become hot enough to cause burns. The heat deflector, which deflects heat away from the cooktop and the trim on the top and sides of the oven door, will also be hot when the oven is in use.

Place oven racks in desired position while oven is cool. If a rack must be moved while the oven is hot, do not let the potholders contact the broil burner.

Use care when opening the oven door; let hot air or steam escape before removing or replacing foods.

DO NOT clean, rub, damage, move or remove the door gasket. It is essential for a good seal during baking. If the gasket becomes worn or excessively soiled with food particles, replace gasket to assure a tight seal.

WARNING:

State of California Proposition 65 Warnings:

This product contains chemicals known to the State of California to cause cancer, birth defects or other reproductive harm.

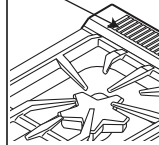
For safety reasons and to avoid damage to the range, never sit, stand, or lean on the oven door.

Service should only be done by authorized technicians. Technicians must disconnect the power supply before servicing this unit.

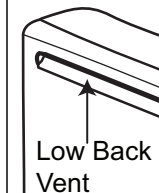
DO NOT obstruct the flow of combustion or ventilation air.

WARNING:

Flush Island
Trim Vent



Low Back
Vent



DO NOT block or obstruct the flow of air through the ventilation openings. The oven vent is located at the back of the appliance. The vents need to be unobstructed and open to provide necessary airflow that is important for proper oven performance.

DO NOT touch oven vent area while the appliance is on and for several minutes after the appliance is off. Some parts of the vent and surrounding areas become hot enough to cause burns. Allow appliance sufficient time to cool before touching or cleaning vent areas.

DO NOT position plastic or other heat-sensitive items on or near the oven vent. These items could melt or ignite.



IMPORTANT SAFETY INSTRUCTIONS

READ AND SAVE THESE INSTRUCTIONS

Listen to be sure the cooling blower runs whenever the oven controls are set to BROIL or BAKE modes, after oven heats to 300°F (149°C). If the fan does not operate, **DO NOT** use the oven. Call an authorized service center for service.

To avoid a fire hazard, grease accumulation must be prevented by frequently cleaning the ventilation hood and filters.

In case of fire or when intentionally “flaming” liquor or other spirits on the range's cooktop, follow manufacturer's instructions. Use caution when cooking foods with high alcohol content (e.g. rum, brandy, bourbon) in the oven. Alcohol evaporates at high temperatures. There is a risk of burning as the alcohol vapors may catch fire in the oven. Use only small quantities of alcohol in foods, and open the oven door carefully.

DO NOT store or use corrosive chemicals, vapors, flammables, or nonfood products in or near this appliance. It is specifically designed for use when heating or cooking food. The use of corrosive chemicals while heating or cleaning will damage the appliance and could result in injury.

WARNING:
This appliance should not be installed with a ventilation system that directs air in a downward direction toward the range. This type of ventilation system may cause ignition and combustion problems with the appliance resulting in personal injury, property damage, or unintended operation. Ventilating systems that direct the air upwards do not have any restriction.

Before You Begin

Before using your range for the first time, check that you have these items:

Table 1: Range Accessories and Parts

DESCRIPTION	30" 4 BURNER	36" WITH GRIDDLE	36" 6 BURNER	48" WITH GRIDDLE
Full Access® Oven Racks, Large Oven	1	3	3	3
Full Access Oven Racks, Secondary Oven	—	—	—	2
Flat Rack, Large Oven	2	—	—	—
Two-Piece Broil Pan*	1	1	1	2
STAR® Burner Caps	4	4	6	6
Burner Grates	2	2	3	3
Center Grate	1	—	—	—
Control Knobs	5	6	7	9
Titanium Coated Aluminum Griddle	—	1	—	1
Handy Hints Guide	1	1	1	1
Product Registration Card	1	1	1	1
Flush Island Trim**	1	1	1	1
Installation Manual	1	1	1	1
Use and Care Guide	1	1	1	1

* All models have one porcelain two-piece broiler pan for the oven. The 48" models also have a small two-piece broiler pan for the Secondary Oven.

** Models are supplied with a Flush Island Trim; however, see Warning on page 1 concerning spacing behind the range when using the range with the Flush Island Trim.



Remove all packaging materials and temporary labels from oven and cooktop. Please, recycle the packaging material as all THERMADOR® packaging is recyclable.

1. Check that you have the items listed in Table 1.
2. **Record the Model and Serial number on page 37.** See Figure 34 on page 36 for location. These may be used for any future contacts with Customer Service. Enter this information on the Product Registration Card included with this product then mail it to the indicated address.
3. **Optional Accessories.** Grill Plate (PA12GRILHC), Black Knob Kit (PAKNOBLK), Cutting Board (PA12CHPBLK), Griddle Cover (PA12CVRJ), Wok Support Ring (PWOKRINGHC) and other accessories are available from your THERMADOR dealer.

4. **Position the racks correctly in the oven.** The correct rack position depends on the recipe and the cooking mode. The rack positions are numbered from the bottom of the oven, like an elevator. Rack position 3 is the most frequently used position. Place rack(s) in the proper position before turning on the oven..

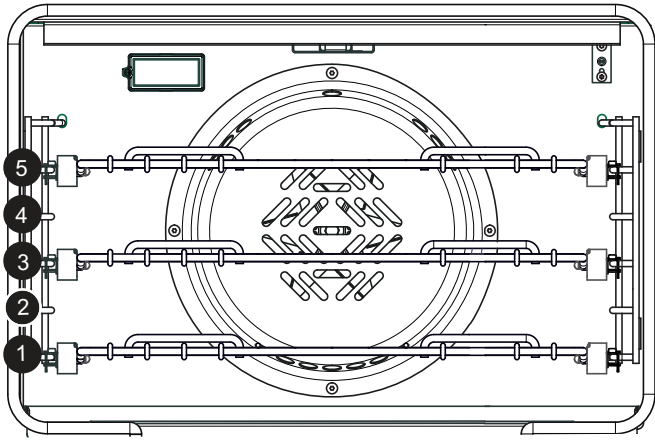


Figure 1: Main Oven Rack Positions



CAUTION:

To help prevent burns, NEVER remove or reposition the oven racks while the oven is ON or while the oven is cooling.



WARNING:

Aluminum foil should never be used to cover the oven racks or to line the oven. It can damage the oven and cause a fire hazard if heat is trapped under it.

Placing Full Access[®] Racks in the Oven:

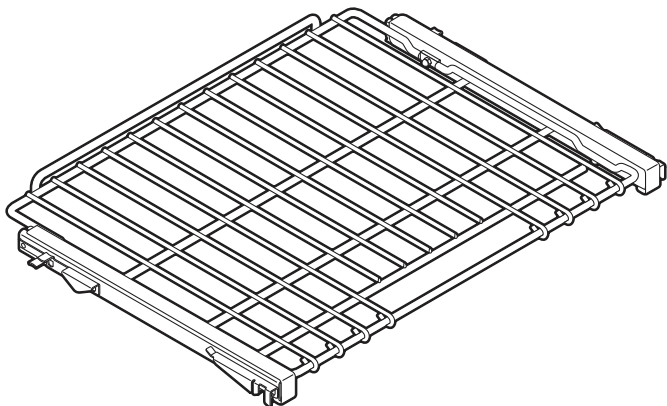
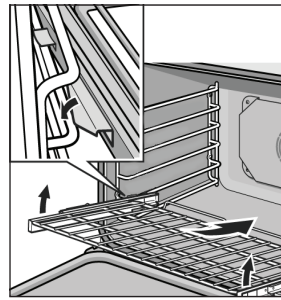
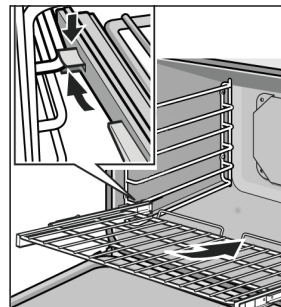


Figure 2: Full Access Oven Rack

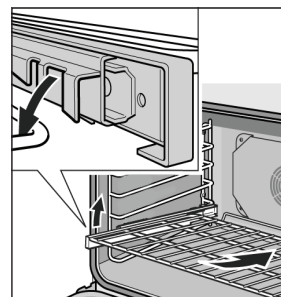
Each gliding oven rack can be pulled out and pushed back into the oven with minimal effort — even while supporting a large turkey or roast.



1. Hold the rack on a slight angle. Place the safety hooks under the front of the rack guides.



2. Push the rack into the oven, lifting the rack stops over the front of the rack guides.
3. Hold the rack straight.
4. Push the rack in until it is even with the front hooks.



5. Lift the rack up.
6. Push the rack in completely.
7. Engage the rack's front hooks on the rack guides.

IMPORTANT:

When placing the gliding rack in the oven, make sure the front supports on the rack guides rest in the large slots at the front corners of the rack. This is necessary to keep the rack in the correct position while fully inserted into the oven.

Figure 3: Inserting the Oven Rack

Placing Flat Racks in the Oven:

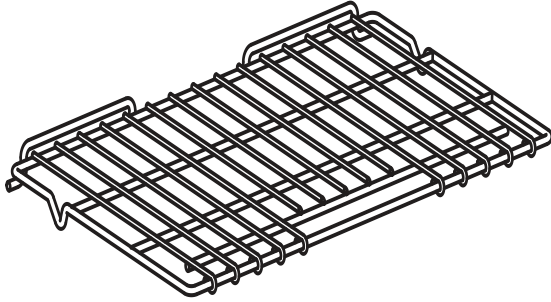
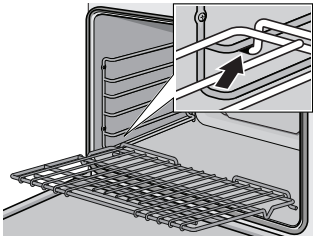


Figure 4: Flat Oven Rack

The rack is designed with a stop so it will stop before coming completely out of the oven and not tilt.



1. Grasp rack firmly on both sides.
2. Insert rack (see picture).
3. Tilt rack up to allow stop into rack guide.
4. Bring rack to a horizontal position and push the rest of the way in. Rack should be straight and flat, not crooked.

Figure 5: Inserting the Oven Rack

Removing Flat Rack from Oven

Grasp rack firmly on both sides and pull rack toward you. When the stop is reached, tilt rack up and pull the rest of the way out.

5. **Ensure that the burner caps are correctly seated on the burner bases of the range's cooktop.** Turn on each burner to check for proper flame color. See *"Checking Burner Cap Placement"* on page 14 for details.
6. **Before baking or broiling**, the oven and broiler should be turned on to burn off the manufacturing oils using the following method:
 - Turn on kitchen ventilation (or if vent hood is a recirculation type open a window). Turn the oven on to 450°F (230°C) for 20 to 30 minutes; then turn the broiler to BROIL for the same length of time. Please note that it is normal for small amounts of smoke to be visible from the range during this initial breaking-in process.

The THERMADOR PROFESSIONAL® range occasionally has a smell or smoke when first used. These smells or smoke comes from the burning off of manufacturing residues and is typical of any new oven regardless of manufacturer.

Please note that some pets or humans can be sensitive to the odors created during the burning off process, so it is recommended that those potentially affected be removed from the kitchen area during the baking off process.

Please read *"Care and Maintenance"* on page 30 before cleaning the oven racks.

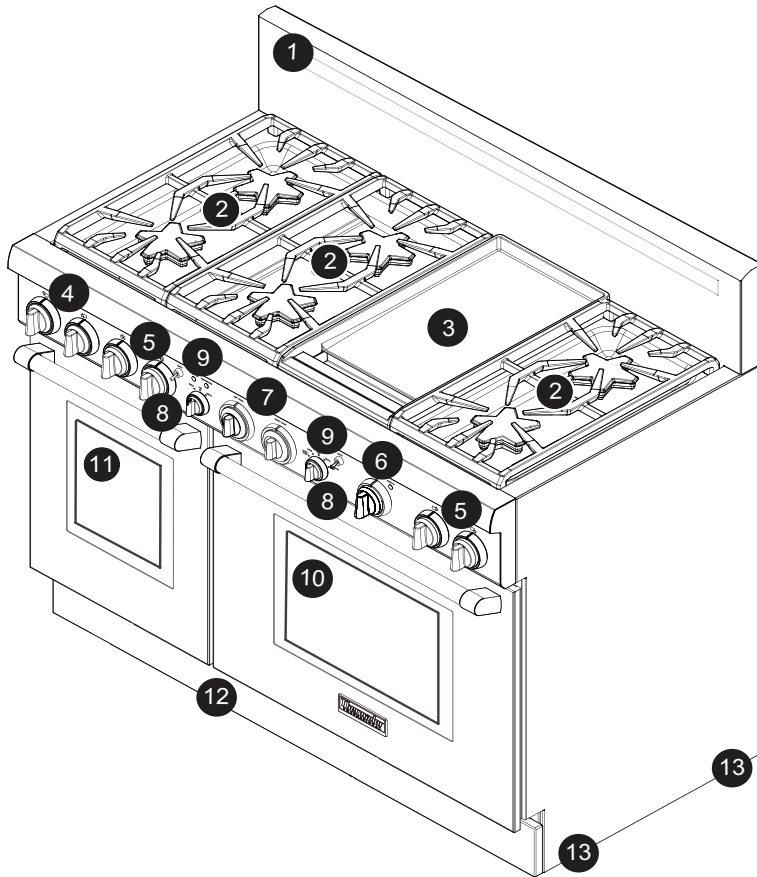
NOTE:

It is normal for the cooling process to push heated air out into the room when the oven is on.

Description

Model and Parts Identification

Key for 48" Models



1. Flush Island Trim (not shown, included), 22" High Shelf (ordered separately), or 9" Low Back (shown, ordered separately)
2. Burner Grates & Burners
3. Electric Griddle
4. Control Knobs, ExtraLow® Burners (2)
5. Control Knobs, Standard Burners (4)
6. Control Knob, Griddle (1)
7. Oven Temperature Selector (2)
8. Oven Mode Selector (2)
9. Oven Light Switch (2)
10. Main Oven
11. Secondary Oven (2 Full Access® Oven Racks, included)
12. Kick Panel
13. Range Feet (4)

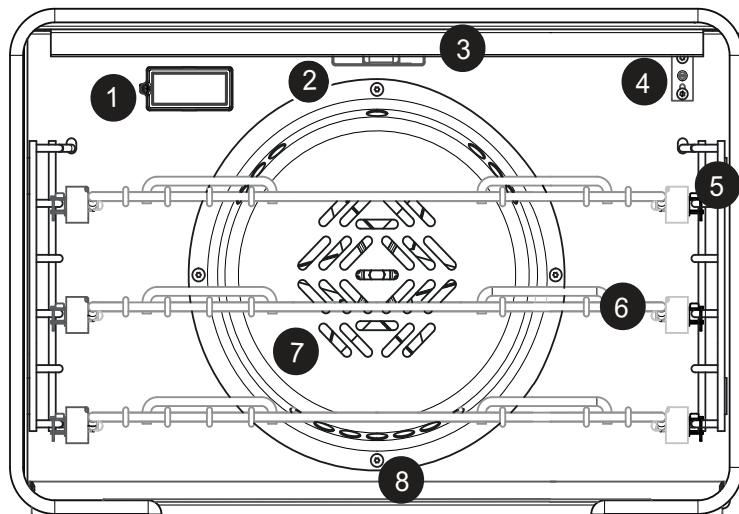


WARNING:

To provide proper ventilation of the range, **DO NOT** remove range feet.

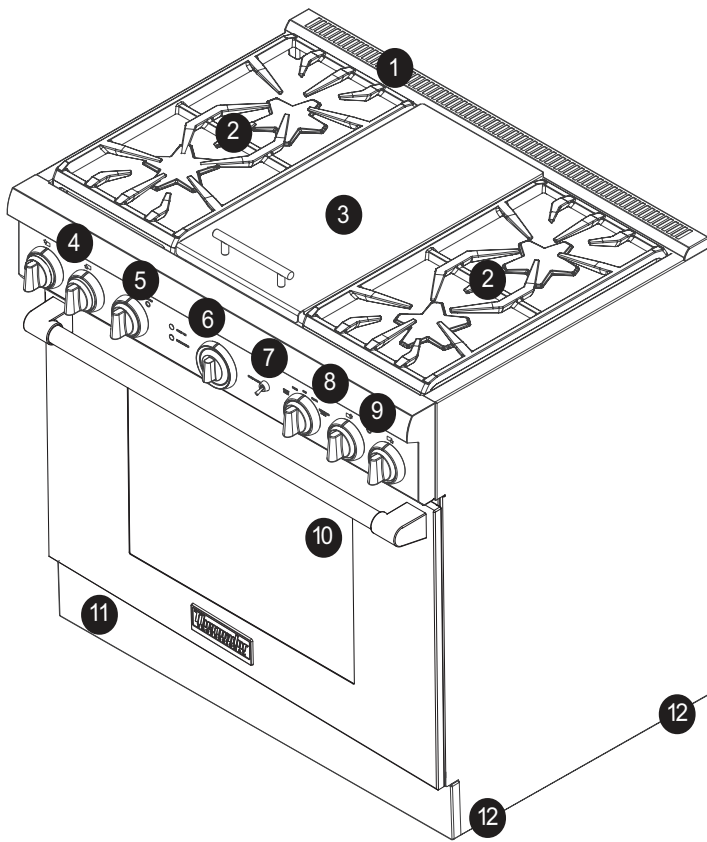
Figure 6: 48" Gas Range Identification

Gas Main Oven Interior



1. Oven Interior Light
2. Broil Ignitor
3. Infrared Broil Burner
4. Oven Thermostat
5. Rack Guides
6. Full Access Oven Racks (3 included)
7. Convection Fan Cover
8. Bake Burner (hidden)

Figure 7: Gas Main Oven Interior Identification



Key for 36" Models

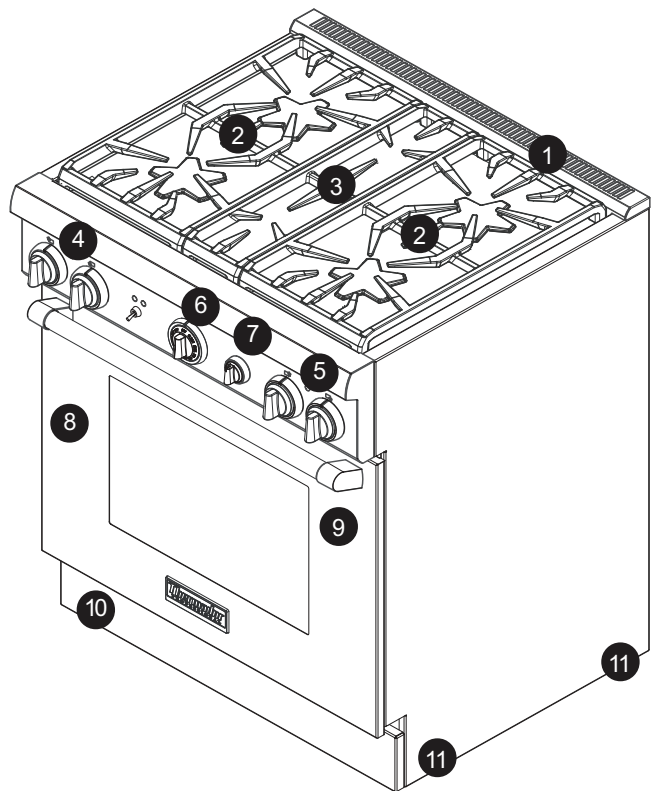
1. Flush Island Trim (included), 22" High Shelf or 9" Low Back (ordered separately)
2. Burner Grates & Burners
3. Griddle, on select models (figure shown with griddle cover accessory, sold separately)
4. Control Knobs, ExtraLow[®] Burners (2)
5. Griddle Knob, on select models
6. Oven Temperature Selector
7. Oven Light Switch
8. Oven Mode Selector
9. Control Knobs, Standard Burners (2 or 4 depending on model)
10. Oven Door (see *Figure 7*)
11. Kick Panel
12. Range Feet (4)



WARNING:

To provide proper ventilation of the range, **DO NOT** remove range feet.

Figure 8: 36" Gas Range Identification



Key for 30" Models

1. Flush Island Trim (included), 22" High Shelf or 9" Low Back (ordered separately)
2. Burner Grates & Burners
3. Center Grate
4. Control Knob, ExtraLow[®] Burners (2)
5. Control Knobs, Standard Burners (2)
6. Oven Temperature Selector
7. Oven Mode Selector
8. Oven Light Switch
9. Oven Door (see *Figure 7*)
10. Kick Panel
11. Range Feet (4)



WARNING:

To provide proper ventilation of the range, **DO NOT** remove range feet.

Figure 9: 30" Gas Range Identification

Using the Cooktop

Sealed STAR® Burners

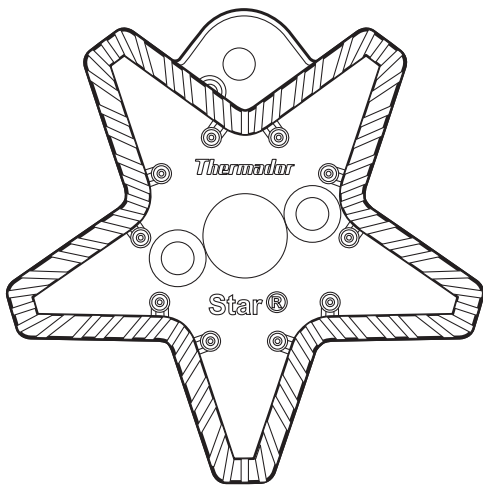


Figure 10: STAR Brass Burner Base

Your new range has sealed STAR burners. Each burner has a unique QuickClean® base feature which allows the burner and area around the burner to be easier to clean. There are no burner parts under the cooktop to clean, disassemble or adjust.

The cooktop features four or six gas surface burners; each rated at 18,000 BTU/HR (15,000 BTU/HR using Propane). On all models, the two left burners have the exclusive ExtraLow® feature, the remaining burners are standard. Each burner has its own control knob.

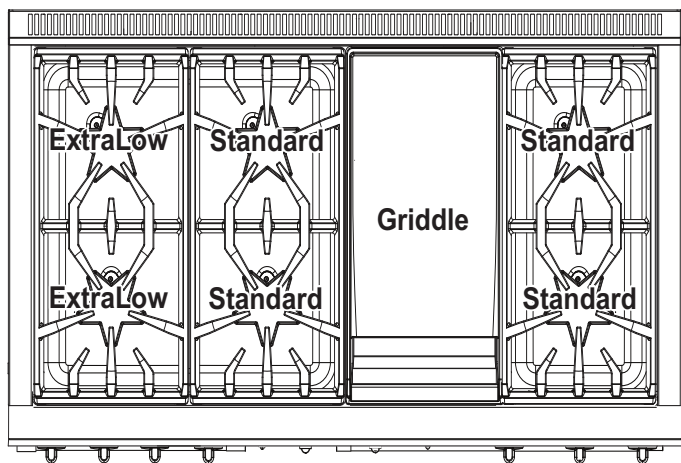


Figure 11: 48" Burner Power Features

Control Knobs

The control knobs for two sealed gas burners, one in front and one in the rear, are located directly in front of and below the pair of burners on the control panel.

The symbol above each control knob identifies either the burner position on the cooktop or the griddle control, depending upon your model.

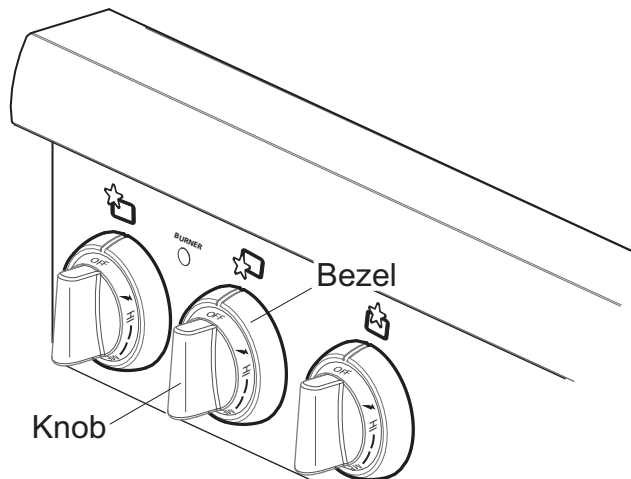


Figure 12: Control Knob

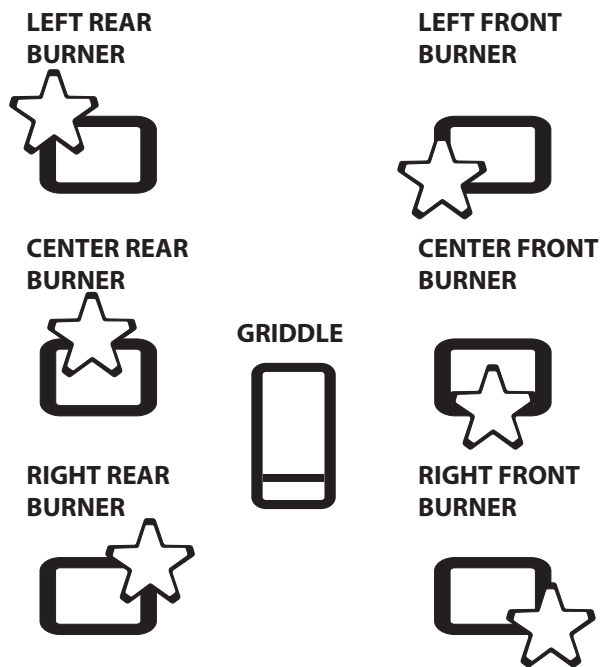


Figure 13: Cooktop Symbols

Operation of the Burners

- Press in on the knob and turn it counter-clockwise to the **HI** setting on the knob.
- The igniter for the selected sealed burner clicks and sparks.
- After burner ignition, the igniter stops clicking.
- Rotate the knob to any flame setting between **HI** and **SIM**.
- The blue signal light, between the burner knobs, will light when adjacent burners are lit. The light will remain on until the adjacent burners are turned off.

BTU for Standard Burners

- **HI** is equivalent to 18,000 BTU / HR (15,000 BTU/HR using Propane).
- **SIM** is equivalent to 2,100 BTU / HR.

BTU for ExtraLow[®] Burner

- **HI** is equivalent to 18,000 BTU / HR (15,000 BTU / HR using Propane).
- **SIM** is equivalent to 3,000 BTU / HR.
- **XLO** is equivalent to 370 BTU / HR.

ExtraLow[®] Burners

The controls for the two left burners, front and rear, have flame settings even lower than the standard **SIM** settings.

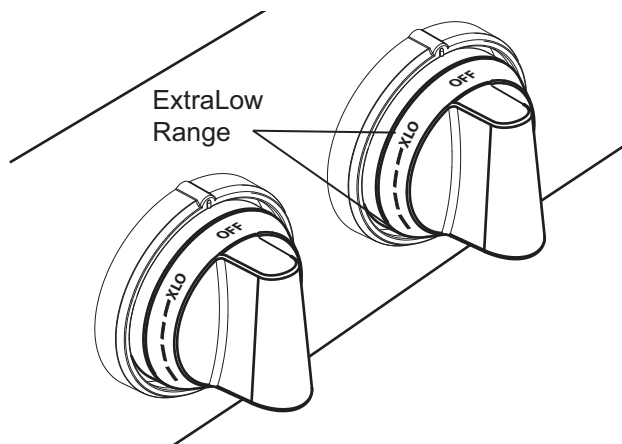


Figure 14: ExtraLow Burner Control Knob

The drawing shows that the control knob has an additional range between the **SIM** and **XLO** settings. When the knob is set within this range, the flame cycles off and on. By varying the length of time the flame is off and on, the heat is reduced even further to cook delicate foods. For example, these very low settings are suitable for simmering and poaching, melting chocolate and butter, holding cooked foods at temperatures without scorching or burning, etc.

Operation of the ExtraLow Burners

- **XLO**, the very lowest setting, is achieved by cycling the flame **ON** for approximately 8 seconds and **OFF** for 52 seconds of each minute.
- When the knob is set just below the **SIM** setting, the flame will cycle **ON** for approximately 52 seconds and **OFF** for 8 seconds of each minute.
- To vary the amount of low heat to suit the food and quantity, the control can be set anywhere within the **SIM** and **XLO** range marked on the knob.

ExtraLow Techniques

- The type and quantity of food affects which setting to use.
- The pan selected affects the setting. Its size, type, material, and whether a lid is used, all affect the consistency of the cooking temperature.
- To maintain a low or simmer heat, bring food to a rolling boil. Stir well, then cover the pan and lower the heat to a setting just below **SIM**.
- Check periodically to see if the control knob should be turned to another setting.
- If an over-size pan is used, the simmer action may occur mainly in the center of the pan. To equalize the temperature throughout the food, stir the food around the outer edges of the pan into the food in the center.
- It is normal to stir food occasionally while simmering. This is especially important when simmering for several hours, such as for a homemade spaghetti sauce or beans.
- When lowering the flame setting, adjust it in small steps.
- If the setting is too low to hold a simmer, bring the food back to a boil before re-setting to a higher heat.
- It is normal not to see simmer bubbles immediately after the food has been stirred.
- There may be bubbling when the flame cycles **ON** and no bubbles when the flame is **OFF**. Even when the flame is **OFF**, there will be steam and a slight quiver on the liquid's surface.

Each burner has its own electronic igniter that sparks when the burner is turned on. Each burner should light in 4 seconds or less. If a burner does not light, check to see that the cap is positioned correctly on the base.



CAUTION:

DO NOT touch the STAR[®] burners when the igniters are sparking.

If a burner fails to ignite, refer to the section “Before Calling For Service” on page 36.

Checking Burner Cap Placement

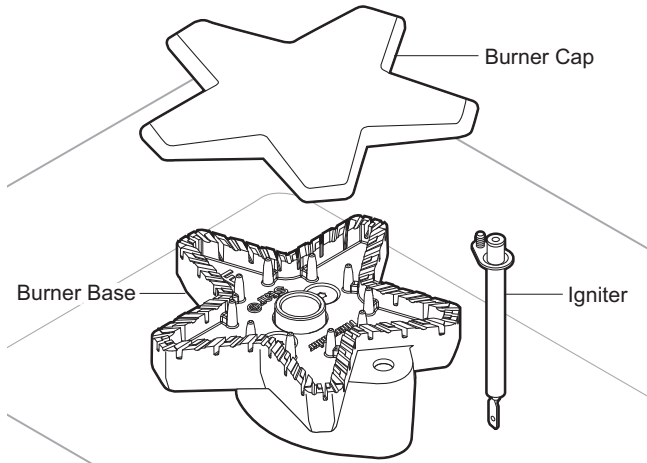


Figure 15: STAR Burner Components

Burner Cap Placement

The burner caps must be properly placed on the burner bases for the cooktop to function properly. If the burner cap is not properly placed, one or more of the following problems may occur.

- Burner flames are too high.
- Flames shoot out of burners.
- Burners do not ignite.
- Burner flames light unevenly.
- Burner emits gas odor.



WARNING:

To prevent flare-ups and avoid the creation of harmful by-products, do not use the cooktop without all burner caps and all burner grates properly positioned.



WARNING:

To prevent burns, do not touch burner caps or grates while hot. Turn the cooktop off and allow the burners to cool.

- Check each burner to make sure there is no gap between the burner cap and burner base. See *Figure 16* and *Figure 17: Correct and Incorrect Burner Cap Placement* to see examples of correct and incorrect placements of the burner cap.
- You may gently try to move the burner caps from side to side to check if the caps are properly placed on the burner bases. When properly placed, each burner cap will rest flat on top of its burner base, and completely cover the star-shape of the burner base when viewed from the top as shown in *Figure 16: “Correct Burner Cap Placement”*.

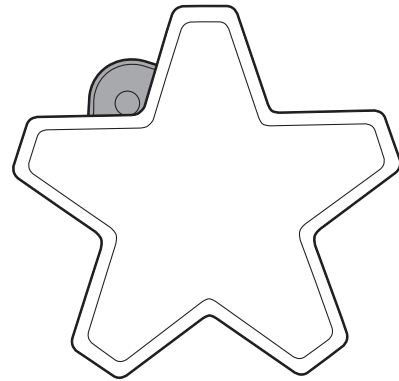
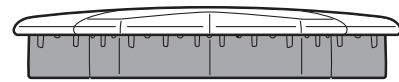


Figure 16: Correct Burner Cap Placement

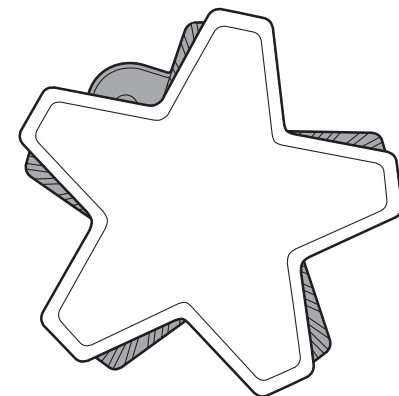
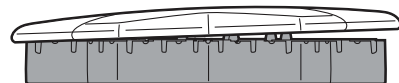


Figure 17: Incorrect Burner Cap Placement

Automatic Re-Ignition

If any one or more burners blow out, the electronic igniter automatically activates to re-light the flame. **Do not touch the burners when the igniters are active.**

IMPORTANT:

- For proper combustion do not use the cooktop without the burner grates in place.
- There is a slight sound associated with gas combustion and ignition. This is a normal condition.
- On cooktops using propane gas (LP), a slight “pop” sound may be heard at the burner ports a few seconds after the burner has been turned off.

Power Failure

- In the event of a power failure, only the standard burners can be manually lit. It is necessary to light each one individually.
- If the cooktop is being used when the power failure occurs, turn **all** knobs to the **OFF** position.
- The standard burners can be lit by holding a match at the ports and turning the control knob to the **HI** position. Wait until the flame is burning all around the burner cap before adjusting the flame to the desired height.
- The ExtraLow[®] burners cannot be used during a power failure. **Be sure to turn them off.**
- If an ExtraLow burner is on when a power failure occurs, it cannot be turned back on until the knob is first turned off.
- The griddle cannot be used during a power failure.
- If you smell gas, refer to safety precautions listed on *page 1*.



WARNING:

In the event of a power failure, turn all knobs to the **OFF** position. Only the Standard burners can be lit manually.

Flame Height

- The correct flame height depends on 1) size and material of pan being used; 2) food being cooked; and 3) amount of liquid in the pan.
- Never extend the flame beyond the base of the pan.
- Use a low or medium flame for pan materials that conduct the heat slowly, such as porcelain coated steel or glass-ceramic.

Flame Description

- The burner flame color should be blue with no yellow on the tips. It is not uncommon to see orange in the flame color; this indicates the burning of airborne impurities in the gas and will disappear with use.

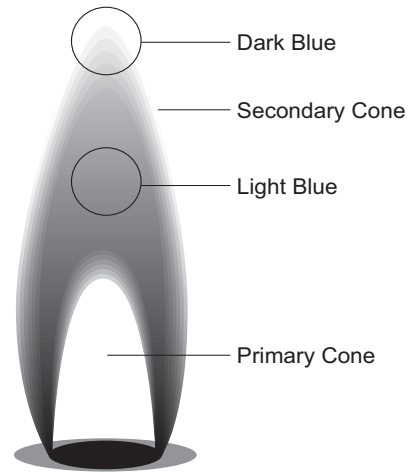


Figure 18: Flame Color

- With propane (LP) gas, slight yellow tips on the primary cone are normal.
- The flame should burn completely around the burner cap. If it doesn't, check that the cap is positioned correctly on the base and that the ports are not blocked.
- The flame should be stable with no excessive noise or fluttering.



WARNING:

This product contains or, through ordinary use for its intended purpose, facilitates emission of chemicals or other substances known to the State of California to cause cancer and/or birth defects or other reproductive harm. To minimize exposure to these chemicals:

- 1) The STAR[®] burners should be adjusted by a certified installer or agency to ensure proper combustion.
- 2) Ensure proper ventilation with an open window or use a ventilation fan or hood when cooking with gas.
- 3) **ALWAYS** operate the unit according to the instructions in this manual.

Cookware Recommendations



WARNING:

To avoid risk of serious injury, damage to appliance or cookware, please observe the following:

- Bakeware, such as large casserole pans, cookie sheets, etc. should never be used on the cooktop.
- Placement of large stock pots should be staggered when used on the cooktop.

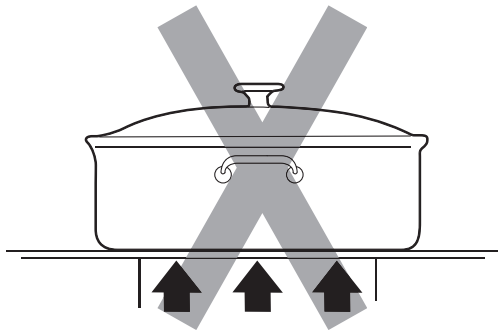


Figure 19: Base Diameter

- Select the base diameter to match the diameter of the flame. The diameter of the flame should be the same size as the pan base or slightly smaller. Oversize or under size pans sacrifice cooking performance. A 5½" (140 mm) base size is generally the smallest recommended.
- Avoid using high flame setting with a pan larger than the grate or with one that spans more than one burner, such as a griddle, for prolonged periods of time. This can result in poor combustion that generates harmful by-products.

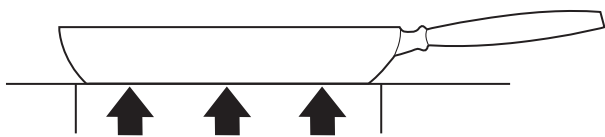


Figure 20: Balanced Pan

- Balance is important for stability and even cooking. The handle must not be heavier than the pan and tilt it unevenly. A pan must sit level on the grate without rocking or wobbling.
- Food packaged in aluminum foil should not be placed directly on the burner grate. Aluminum foil can melt during cooking.

- Do not let plastic, paper or cloth come in contact with a hot burner grate. They may melt or catch fire.
- Never let a pan boil dry. This can damage your pan and the cooking surface.
- Professional quality pans with metal handles are recommended because plastic handles can melt or blister if the flame extends up the side of the pan. Professional quality pans are found at restaurant supply stores and gourmet specialty shops. All cookware should have these characteristics: good heat conductivity, good balance, correctly sized base diameter, a heavy, flat base, and a proper fitting lid.
- For best cooking results, the flame should be contained under the bottom of the pan.
- Aluminum and copper are pan materials that conduct the heat quickly and evenly. These metals are sometimes attached to the base or in the core between stainless steel.

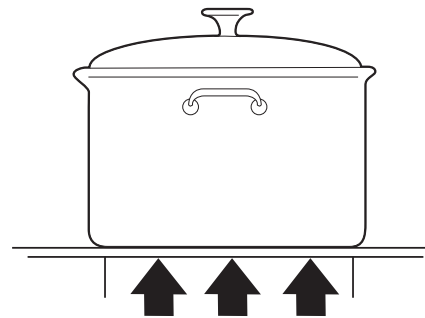


Figure 21: Flat Base Pan

- A heavy, flat base is more apt to remain flat when heated. Pan bases that are warped, dented, ridged or too lightweight will heat unevenly. Heat and cool pans gradually to avoid sudden temperature changes which tend to distort cookware. Do not add cold water to a hot pan.
- A properly fitting lid will shorten cooking time and make it possible to use lower heat settings.

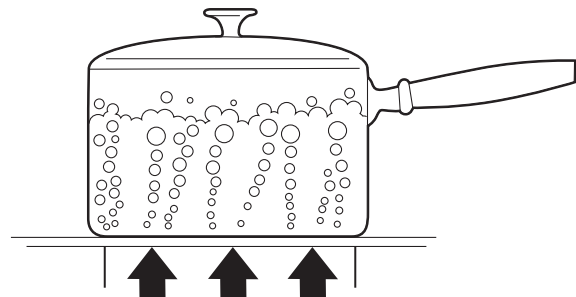


Figure 22: Covered Pan

Specialty Cookware

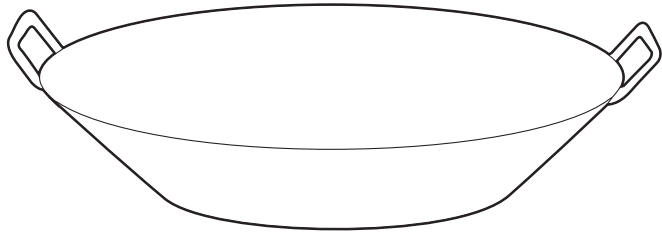


Figure 23: Flat-Bottom Wok Pan

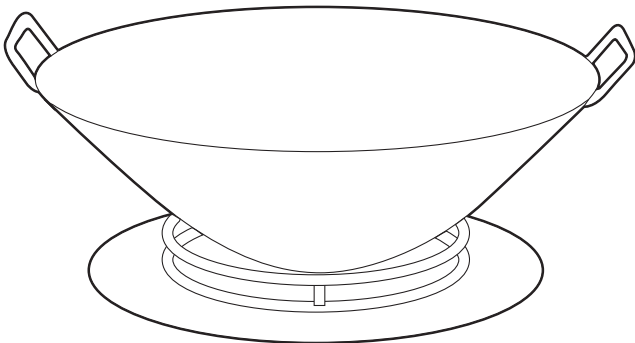


Figure 24: Round-Bottom Wok in Support Ring

Woks — Either flat based or round bottom woks with the accessory ring can be used on all models. Round bottom woks must be used with a support ring. The Wok pan and the porcelain-coated cast iron wok support ring must be purchased separately (PWOKRINGHC).

Canners and Stock Pots — Select one with a base diameter that extends no more than 2" (51 mm) beyond the grate.

Standard Size Water Bath Canner — 21 to 22 quarts (19.95 to 20.9 liters), with an 11" to 12" base (279–305 mm) and a 9" to 11" depth (229–279 mm).

Standard Size Pressure Canner — 8 to 22 quarts (7.6 to 20.9 liters), with an 8" to 11" base (203–279 mm) and a 6½" to 12" depth (165–305 mm).

Canning Tips:

- A flat base pan is preferred to one with a concave, convex or rippled base.
- When using two canners at the same time, use staggered burners. Do not block air to the burners. A flame needs the right amount of air for complete combustion.
- Use a cover on a canner when bringing the contents to a boil.
- Once the contents have reached a boil on HI, use the lowest flame possible to maintain the boil or pressure.
- Canning produces a large amount of steam. Take precautions to prevent burns.

Cooking Recommendations

Use the chart beginning on *page 18* as a guide. The settings you use will vary depending on the pans selected and the starting temperature of the food.

On the chart, the "Finish Setting" has been separated for the standard and ExtraLow burners. There may or may not be a change between the two burner settings.

The ExtraLow® setting can be either a cooking or a holding setting.

Raise or lower the flame setting gradually. Allow time for the pan and the food to adjust to the new setting.

Surface Burner Cooking Recommendations

Food	Start Setting	Finish Setting Standard Burners	Finish Setting ExtraLow (XLO) Burners
BEVERAGES Cocoa	MED – heat milk	SIM – finish heating	XLO – keep warm, cover*
BREADS French Toast, Pancakes, Grilled Sandwiches	MED – preheat skillet	SIM to MED – cook	Same as for Standard Burners
BUTTER Melting	SIM - to start melting		Allow 5 to 10 minutes to melt
CEREALS Cornmeal, Grits, Oatmeal	HI – cover, bring water to a boil, add cereal	SIM to MED – finish cooking according to package directions	Same as for Standard Burners XLO – to hold, cover*
CHOCOLATE Melting	XLO - may be stirred to hasten melting		XLO – allow 10 to 15 minutes to melt XLO – to hold*
DESSERTS Candy	SIM to MED – cook following recipe	SIM to MED	Same as for Standard Burners
Pudding and Pie Filling Mix	SIM to MED SIM - cook according to package directions	SIM	Same as for Standard Burners
Pudding	SIM to MED SIM – bring milk to a boil	SIM	Same as for Standard Burners
EGGS Cooked in Shell	MED HI – cover eggs with water, add lid, bring to boil		XLO – cook 3 to 4 minutes for soft cooked; or 15 to 20 minutes for hard cooked
Fried, Scrambled	SIM to MED – melt butter, add eggs	SIM - finish cooking	Same as for Standard Burners XLO – to hold for a short period*
Poached	HI – bring water to the boiling point, add eggs	SIM to MED – finish cooking	Same as for Standard Burners
MEAT, FISH, POULTRY Bacon, Sausage Patties	MED HI – until meat starts to sizzle	SIM to MED – finish cooking	Same as for Standard Burners
Braising: Swiss Steak, Pot Roast, Stew Meat	MED HI – melt fat, then brown on MED HI , add liquid, cover		XLO – Simmer until tender
Quick Frying: Breakfast Steaks	MED HI – preheat skillet	MED HI – fry quickly	Same as for Standard Burners
Frying: Chicken	MED HI – heat oil, then brown on MED	SIM – cover, finish cooking	Same as for Standard Burners
Deep Frying: Shrimp	MED HI – heat oil	MED to MED HI – to maintain temperature	Same as for Standard Burners
Pan Frying: Lamb Chops, Thin Steaks, Hamburgers, Link Sausage	MED HI – preheat skillet	MED – brown meat	Same as for Standard Burners XLO – to hold

* It is recommended that these foods be stirred occasionally.

Food	Start Setting	Finish Setting Standard Burners	Finish Setting ExtraLow (XLO) Burners
Poaching: Chicken, whole or pieces, Fish	MED HI – Cover, bring liquids to a boil		To finish cooking
Simmering: Stewed Chicken, Corned Beef, Tongue, etc.	HI – cover, bring liquid to a boil		XLO – to simmer slowly XLO – to hold, cover*
PASTAS Macaroni, Noodles, Spaghetti	HI – bring water to a boil, add pasta	MED to MED HI – to maintain a rolling boil	Same as for Standard Burners
POPCORN (use a heavy, flat bottom pan)	HI – cover, heat until kernels start to pop	MED HI – finish popping	Same as for Standard Burners
PRESSURE COOKER Meat	MED HI to HI – build up pressure	SIM to MED – maintain pressure	Same as for Standard Burners
Vegetables	HI – build up pressure	SIM to MED – maintain pressure	Same as for Standard Burners
RICE	HI – cover, bring water and rice to a boil.	SIM to maintain Low Boil Cover and cook until water is absorbed.	Same as for Standard Burners XLO – to hold, cover
SAUCES Tomato Base	MED HI – cook meat/vegetables, follow recipe	SIM to maintain simmer	XLO – simmer to thicken sauce, uncovered
White, Cream, Bernaise	MED – melt fat, follow recipe	SIM – finish cooking	XLO – to hold, cover*
Hollandaise	XLO		XLO – to hold, lowest setting for short period, stir frequently
SOUPS, STOCK	HI – cover, bring liquid to a boil	SIM to maintain simmer	Simmer XLO – to hold, cover*
VEGETABLES Fresh	HI – cover, bring water and vegetables to a boil	SIM to MED – cook 10 minutes, or until tender	Same as for Standard Burners XLO – to hold, cover
Frozen	HI – cover, bring water and vegetables to a boil	SIM to MED – cook according to package directions	Same as for Standard Burners
Deep Frying	HI – heat oil	MED to MED HI – maintain frying temperature	Same as for Standard Burners
In Pouch	HI – bring water and pouch to a boil	SIM to MED – cook according to package directions	Same as for Standard Burners
Saute	MED HI – heat oil or melt butter, add vegetables	SIM to MED – cook to desired doneness	Same as for Standard Burners
Stir Fry	HI – heat oil, add vegetables	MED to MED HI – finish cooking	Same as for Standard Burners

* It is recommended that these foods be stirred occasionally.

Using the Electric Griddle (available on some models)

Description

The built-in griddle is made of restaurant-quality aluminum that has a non-stick titanium coating. This produces a surface with even heat that is easy to clean.

A maple cutting board (PA12CHPBLK), stainless steel cover (PA12CVRJ), and non-stick titanium coated aluminum grill plate (PA12GRILHC) are available as accessories and are purchased separately. The maple cutting board and stainless steel cover are sized to fit on top of the surface when the griddle is not being used. The non-stick grill plate accessory is designed to replace the griddle plate. See the instructions that come with the grill plate accessory for more details.

The maple chopping block and stainless steel cover must be removed before turning the griddle on.

- The griddle plate (or grill plate accessory) must always be in place when the griddle is turned on.
- The electric griddle element is rated 120 volts AC, 1,630 watts.
- The griddle is electronically controlled with temperatures marked on the knob from 150 – 500°F (66 – 260°C).
- There are no fixed settings on the knob.
- Press and turn the knob clockwise to the temperature setting.



CAUTION:

The griddle element is hot after use. Allow sufficient time for griddle components to cool before cleaning.



WARNING:

To avoid risk of injury, **NEVER** operate griddle without the griddle plate installed. **NEVER** use griddle in a manner that is not prescribed by the Use and Care Guide.

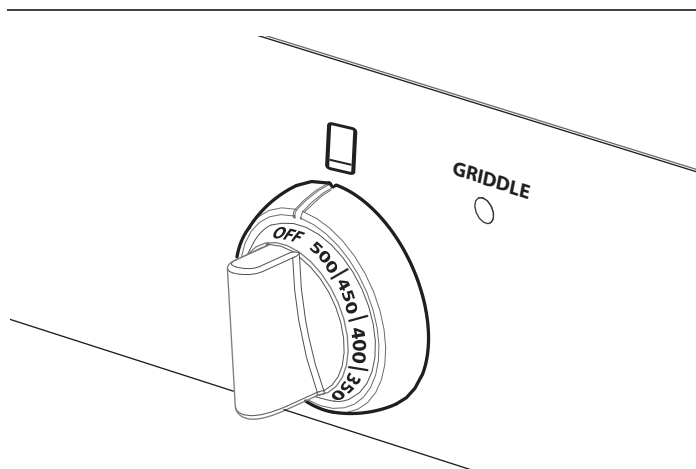


Figure 25: Griddle Control Knob

Preparing the Griddle (not all models)

If the range is equipped with an electric griddle, check the griddle frame adjustment by pouring two tablespoons of water on the back of the griddle plate. The water should slowly roll into the grease tray. If not, adjust the two screws under the back of the frame. Start with one half turn counterclockwise (CCW) of the screws. Further adjustment should be made by one-quarter turn until water slowly flows into the grease tray (Figure 26).

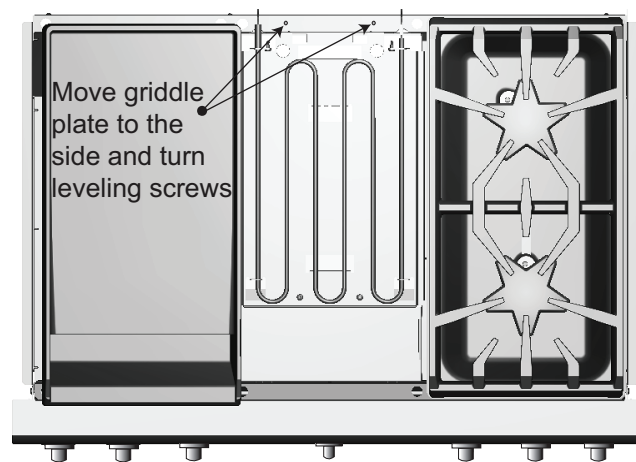


Figure 26: Griddle Plate Leveling Screws

The griddle plate should be washed with warm soapy water then rinsed with clear water prior to use. The griddle may be used without any butter, margarine or oil. However, a very small amount may be used to flavor foods.

Any utensil may be used on the griddle surface. Care should be taken that the surface is not gouged when utensils are used. **DO NOT** cut directly on the griddle plate.

NOTICE:

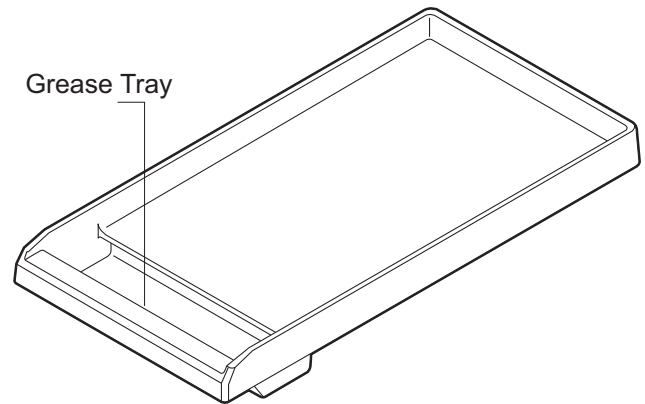
Griddle/Grill performance may vary if there is an excessive amount of airflow in the vicinity of the appliance. The excessive airflow could be from an air-conditioning register or ceiling fan blowing at the cooktop. This could create longer than normal heat-up time, or it could cause the Griddle/Grill temperature to be higher or lower than the knob setting.

NOTE:

Having a properly installed ventilation hood is not considered a source of excessive airflow.

Griddle Cooking Recommendations

FOOD	SETTING
Eggs	325°F – 350°F (160°C – 180°C)
Bacon, Breakfast Sausage	375°F – 400°F (190°C – 200°C)
Toasted Sandwiches	350°F – 375°F (180°C – 190°C)
Boneless Chicken Breasts	375°F – 400°F (190°C – 200°C)
Boneless Pork Chops, 1" (25.4 mm) thick	375°F – 400°F (190°C – 200°C)
Boneless Pork Chops, 1" (25.4 mm) thick	375°F – 400°F (190°C – 200°C)
Steaks, 1" (25.4 mm) thick	400°F – 425°F (200°C – 220°C)
Ground Beef Patties, 6 ounces	375°F – 400°F (190°C – 200°C)
Ground Turkey Patties, 6 ounces	450°F – 475°F (230°C – 245°C)
Hot Dogs	350°F – 375°F (180°C – 190°C)
Ham Slices, ½" (12.7 mm) thick	350°F – 375°F (180°C – 190°C)
Pancakes, French Toast	400°F – 425°F (200°C – 220°C)
Potatoes, Hash Browns	375°F – 400°F (190°C – 200°C)

Griddle Grease Tray**Figure 27: Grease Tray**

- Clean the tray after every use. When removing the tray, use care when tipping it so that the contents do not spill.
- The griddle plate and its grease tray are dishwasher safe.
- After cooling, pour the grease into a grease-resistant container for disposal.

Cooking on the Griddle

1. Turn the knob to the appropriate cooking temperature to preheat the griddle.
2. Preheat until the griddle light goes off.
3. Add butter, margarine, oil or shortening if desired.

Using the Oven

Oven Functions

Tips for Bake

Most cooking times in recipes are designed for a preheated oven and require that the oven already be at a certain temperature before cooking starts. Refer to your recipe for preheating recommendations. Preheating time depends on the temperature setting and the number of racks in the oven.

Getting the Best Results

- Minimize opening the door:
 - Use a minute timer.
 - Use the interior oven light.
- Use the rack position recommended by the recipe.
- Use the bakeware recommended by the recipe.
- Store the broiler pan(s) outside the oven. An extra pan without food, affects the browning and cooking.
- The type of pan used affects the browning:
 - For tender, golden brown crusts, use light non-stick/anodized or shiny metal pans.
 - For brown crisp crusts, use dark non-stick/anodized or dark, dull metal pans or glass bakeware. These may require lowering the bake temperature 25°F (14°C).

Bake Rack Positions

- Rack level positions in the oven are numbered like an elevator. Number one level is the lowest and number five level is at the top.

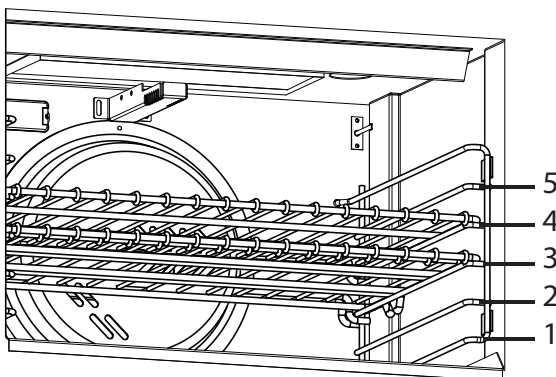


Figure 28: Oven Rack Positions

Bakeware Type

- Metal bakeware (with or without a non-stick finish), heat-proof glass, glass-ceramic, pottery, or other utensils are suitable for the oven.

- Cookie sheets with only two sides give the best results. Aluminum commercial half-sheets or professional cooking utensils may be used.
- The 36" and 48" (914 mm and 1219 mm) ovens will hold a full-sized commercial baking sheet (18" x 26") (457 mm x 660 mm).

Placement

- Allow at least 1" (25.4 mm) of space between the pans and the oven walls so heat can circulate around each pan.
- Stagger bakeware so that one is not directly above another. Allow 1½" (38 mm) above and below each pan.

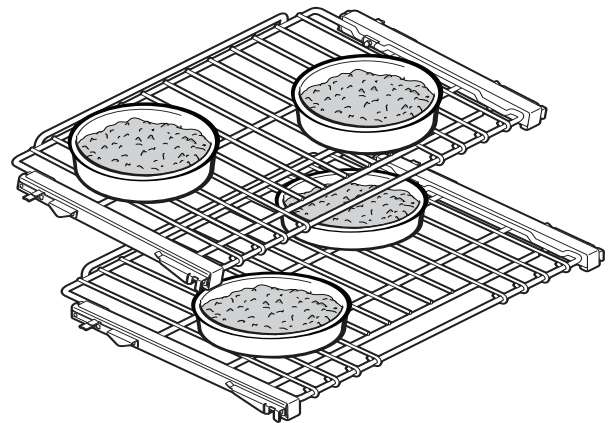


Figure 29: Pan Placement

Rack Positions

One Rack Baking

- The Bake mode is best for baking on one rack with rack level #3 used for most baked items. If the item is tall, such as an angel food cake, rack level #2 may be used. Pies are best baked on rack level #2 to make certain the bottom of the crust is done without over browning the top. When large pieces of meat or poultry are roasted, such as a prime rib of beef or a turkey, rack level #2 is the preferred rack.

Two Rack Baking

- Casserole dishes may also be baked using these rack levels #2 and #4. The Convection Bake mode may also be used.

Three Rack Baking

- If three-rack baking is desired, the Convection Bake mode should be used.

Secondary Oven (48" Models)

- Baking on rack #3 will result in the best product. When additional height is needed, rack #2 may be used. The use of rack #2 with pies will result in a crisp bottom crust without over baking the top.

NOTE:

Rack positions are general recommendations for baking; however, if a recipe calls for a different rack position than those given, then the recipe or package directions should be followed.

Convection

Cooking with Convection

There are many advantages to cooking with convection. In the convection system, a fan in the back of the oven moves heated air evenly around the oven. The moving air provides even heat so foods can be placed on any rack level with consistent results. Multiple racks of foods can be cooked or large quantities of foods can be cooked at the same time. Foods will cook thoroughly without having to rotate pans.

Low, shallow bake ware should be used with convection cooking. This allows the heated air to circulate around the food. Pans with high sides or pans that are covered are not suitable for convection cooking because high sides or lids prohibit the warm air from circulating around the food.

Your favorite pans and cookware can be used for convection cooking provided they have low sides to allow the heated air to circulate around the food. Any food cooked uncovered will brown evenly and form a nice crust. Foods in covered dishes (casseroles, pot roast) or delicate custards do not benefit from convection cooking.

Convection Baking

Time can be saved by baking an entire batch of cookies at the same time. The cookies will bake evenly and be done all at once. The baking time may be shorter due to the warm circulating air. For small items such as cookies, check to see if they are done one to two minutes before the recipe time. For larger baked items such as cakes, check five to six minutes before the time indicated on the recipe.

Convection cooking of meat and poultry will result in foods that are brown and crispy on the outside and moist and juicy on the inside. Large meat or poultry items may cook up to 30 minutes less than the suggested time so check them so they will not be over baked. A meat thermometer or an instant read thermometer will provide more accurate results than the "minute per pound" method. The larger the piece of meat or poultry, the more time you will save.

Converting Conventional Baking to Convection Baking

To convert most recipes for baked items (cookies, cakes, pies, etc.); reduce the oven temperature by 25°F (14°C). For meats and poultry, the temperature should not be reduced. The same temperature recommended in recipes and cooking charts for meats and poultry should be used.

Tips for Convection Bake

Preheating the Oven

Preheat the oven before cooking. See your recipe for preheating recommendation. Preheating time depends on the temperature setting and the number of racks in the oven.

High Altitude Baking

When baking at high altitudes, in either **BAKE** or **CONVECTION BAKE**, recipes and baking times vary. For accurate information, write the Extension Service, Colorado State University, Fort Collins, Colorado 80521. There may be a cost for the bulletins. Specify the type of information you want (example: cakes, cookies, breads, etc.).

Condensation

It is normal for a certain amount of moisture to evaporate from the food during any cooking process. The amount depends on the moisture content of the food. The moisture will condense on any surface cooler than the inside of the oven, such as the control panel.

Temperature Setting

When using Convection Bake, reduce the temperature recommended in the recipe by 25°F (14°C), except for meats. When roasting meats, check internal temperature prior to time recommended by recipe to prevent over cooking.

Rack Positions

One Rack Baking

- When baking on one rack, best results are obtained in the bake mode. See "Oven Functions" on page 22.
- When roasting a turkey or a large piece of meat, convection bake may be used. Rack #2 is the most appropriate rack.

Two Rack Baking

- Racks #2 and #4 are most appropriate when using the convection bake mode. Cookie sheets should not be staggered but the cookie sheet on rack #2 should be placed directly under the one on rack #4 or #5. Stagger round cake pans (see *Figure 29*).
- This may be used for cakes, cookies, biscuits and other foods for which two rack baking is desirable.
- When several casseroles, frozen pies or cakes are to be baked, use racks #2 and #4.
- These two racks can also be used for a large oven meal.

Three Rack Baking

- When several sheets of cookies are to be baked, bake them on racks #1, #3 and #5. Place the baking sheets directly above each other on the respective racks to allow air to flow around the baking sheets.

Bakeware Type

- Aluminum bakeware gives the best browning results.
- Cookie sheets with only two sides give the best results. Aluminum commercial half-sheets or professional cooking utensils may be used (see *Figure 29*).

Placement

- For better browning, utensils such as cookie sheets, jelly roll pans and rectangular baking pans should be placed crosswise on the rack with the shorter sides on the right and the left. This allows the air to circulate freely.
- When baking on more than one rack, stagger round cake pans but cookie sheets should not be staggered.

Suggested Temperature Recommendations to Keep Food Hot

FOOD	OVEN TEMPERATURE
Beef	150°F (70°C)
Bacon	200° – 225°F (90° – 110°C)
Biscuits and Muffins (covered)	175° – 200°F (80° – 90°C)
Casserole (covered)	175° – 200°F (80° – 90°C)
Fish and Seafood	175° – 200°F (80° – 90°C)
Deep Fried Foods	200° – 225°F (90 – 110°C)
Gravy or Cream Sauces (covered)	175°F (80°C)
Lamb and Veal Roasts	175° – 200°F (80° – 90°C)
Pancakes and Waffles (covered)	200° – 225°F (90° – 110°C)
Potatoes, Baked	200°F (90°C)
Potatoes, Mashed (covered)	175°F (80°C)
Pies and Pastries	175°F (80°C)
Pizza (covered)	225°F (110°C)
Pork	175° – 200°F (80° – 90°C)
Poultry (covered)	175° – 200°F (80° – 90°C)
Vegetables (covered)	175°F (80°C)

Minimum Internal Cooking Temperatures

The minimum internal temperatures that foods must reach to be considered safe to eat, as determined by the *U. S Department of Agriculture Food Safety and Inspection Service*, are as follows:

Fresh ground beef, veal, lamb, pork	160°F (72°C)
--	--------------

Beef, veal, lamb roasts, steaks, chops

Medium rare	145°F (63°C)
Medium	160°F (71°C)
Well done	170°F (77°C)

Fresh pork roasts, steaks, chops

Medium	160°F (72°C)
Well done	170°F (77°C)

Ham

Cook before eating	160°F (72°C)
Fully cooked, to reheat	140°F (60°C)

Poultry

Ground chicken, turkey	165°F (74°C)
Whole chicken, turkey	180°F (82°C)
Breasts, roasts	170°F (77°C)
Thighs and wings	180°F (82°C)
Stuffing (cooked alone or in bird)	165°F (74°C)
Egg dishes, casseroles	160°F (72°C)



CAUTION:

Aluminum foil should never be used to cover the oven racks or to line the oven. It can damage the oven and cause a fire hazard if heat is trapped under it.

Dehydrating Foods with Convection Bake

Use the Convection Bake to dry and preserve fruits and vegetables.

Tips:

- Drying times vary depending on the moisture and sugar content of the food, the size of the pieces, the amount being dried and the humidity in the air.
- Dry most fruits and vegetables at 150°F (66°C).
- Check food at the minimum drying time.
- It is best to use drying racks (not included) so that air can flow around the food. Do not place food directly on a baking sheet or pan. Food needs to be elevated to ensure even drying.
- Multiple drying racks can be used simultaneously.
- Racks #2 and #4 or #1, #3 and #5 can be used for multiple rack dehydrating. Use rack #3 if only dehydrating one rack.
- Dehydrating meat is not recommended due to food safety concerns.
- Consult a food preservation book, county Cooperative Extension Office or library for additional information.

Food Item	Preparation	Approx. Drying Time (hrs)	Test for Doneness
Fruit			
Apples	Dipped in ¼ cup lemon juice and 2 cups water, ¼" slices	8 – 15	Slightly pliable
Bananas	Dipped in ¼ cup lemon juice and 2 cups water, ¼" slices	8 – 15	Slightly pliable
Cherries	Wash and towel dry. For fresh cherries, remove pits	7 – 18	Pliable leathery, chewy
Orange peels	Orange part of skin thinly peeled from oranges.	1 – 4	Dry and brittle
Orange slices	¼" slices of orange	9 – 16	Skins are dry and brittle, fruit is slightly moist
Pineapple rings, canned	Towel dried	8 – 13	Soft and pliable
Pineapple rings, fresh	Towel dried	7 – 12	Soft and pliable
Strawberries	Wash and towel dry. Sliced ½" thick, skin down on rack	9 – 17	Dry and brittle
Vegetables			
Peppers	Wash and towel dry. Remove membrane of peppers, 1" coarsely chopped pieces	13 – 17	Leathery with no moisture inside
Mushrooms	Wash and towel dry. Cut thin slices, ⅛" thick	5 – 12	Tough and leathery, dry
Tomatoes	Wash and towel dry. Cut thin slices, ⅛" thick, drain well	5 – 12	Dry, brick red color

Table 2: Dehydrate Chart

Baking Recommendations

FOOD	PAN SIZE	CONTROL TEMPERATURE SETTING	TOTAL SUGGESTED COOKING TIME
Cookies	12" x 15" Cookie Sheet	375°F (191°C)	8 to 12 minutes
Layer Cakes	8" or 9" Round	350°F (177°C)	25 to 35 minutes
Sheet Cakes	9" x 13" Pan	350°F (177°C)	30 to 40 minutes
Bundt™ Cakes	12 Cup	325°F (163°C)	60 to 75 minutes
Brownies or Bar Cookies	9" x 9" Pan	325°F (163°C)	20 to 25 minutes
Biscuits	12" x 15" Cookie Sheet	425°F (218°C) or Package Directions	10 to 15 minutes
Quick Bread	8" x 4" Loaf Pan	350°F (177°C)	55 to 70 minutes
Muffins	12 cup Muffin Pan	425°F (218°C)	14 to 19 minutes
Fruit Pies	9" Diameter	425°F (218°C)	35 to 45 minutes
Fruit Cobblers	9" x 9" Pan	400°F (204°C)	25 to 30 minutes
Yeast Bread, Loaves	8" x 4" Loaf Pan	350°F (177°C)	25 to 30 minutes
Dinner Rolls	9" x 13" Pan	375°F (191°C)	12 to 18 minutes
Cinnamon Rolls	9" x 13" Pan	375°F (191°C)	25 to 30 minutes
Yeast Coffee Cake	12" x 15" Cookie Sheet	375°F (191°C)	20 to 30 minutes

Setting Bake, Convection Bake, or Extended Bake

These cooking modes are for baking, roasting or warming using one, two or three racks.

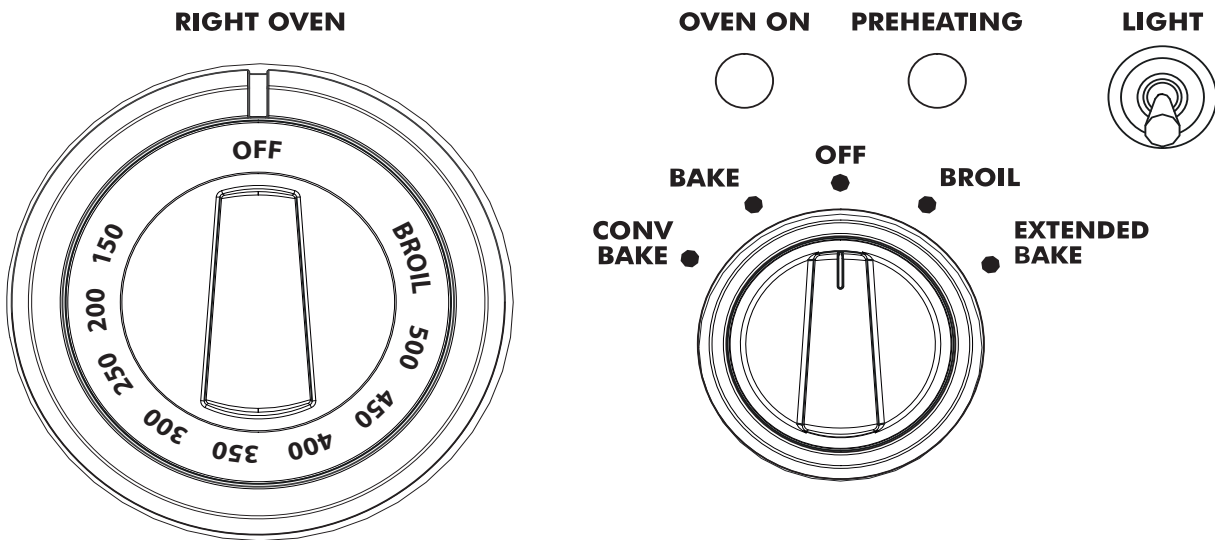


Figure 30: Oven Controls for Main Oven

To Set Bake or Convection Bake

1. Select **BAKE** mode or **CONVECTION BAKE** mode using the Mode Selector Knob.
2. Set oven temperature using the Temperature Selector Knob.
 - If using **CONVECTION BAKE**, set the Temperature Selector Knob 25°F (14°C) below the temperature suggested in the recipe. No variation in temperature setting is necessary if roasting meats or poultry.
 - The **OVEN ON** and **PREHEATING** lights turn on.

OVEN ON PREHEATING



- The oven is preheated to the set temperature when the **PREHEATING** light cycles off the first time.

OVEN ON PREHEATING



- The **OVEN ON** light stays on during any active cooking mode, and remains on until either of the oven knobs is turned to the **OFF** position.

NOTE:

The interior oven light is operated by a separate switch that turns the light on and off, independent of any control setting.

Extended Bake

This unique cooking mode is for assisting the user for compliance to Sabbath principles.

To Extended Bake

1. Select **EXTENDED BAKE** mode using the Mode Selector Knob.
2. Set oven temperature using the Temperature Selector Knob.
 - **PREHEATING PHASE** is the same as for other **BAKE** modes. Once the oven is preheated to the selected temperature, the twenty-two (22) minute Extended Bake cycle begins.
 - **ACTIVE PHASE** baking is as usual for nineteen (19) minutes, except during the last two (2) minutes, the **OVEN ON** and **PREHEATING** lights blink slowly (on 3 sec. / off 3 sec. together) to serve as a **NOTICE** for the final phase.

OVEN ON PREHEATING



- **ACCESS PHASE (oven idle):**
Once the two lights stop blinking (both remaining on), the final three (3) minutes allows the Sabbath user access to the oven without effecting a change in the operation of the range. Heating elements remain off during this phase.

Automatic operation of the cooling blowers:

The cooling blowers activate after the oven reaches 300°F (149°C). When the oven is turned off, the blowers remain on until the oven temperature cools below 250°F (121°C).

DO NOT continue to use the ovens if the cooling blower fails to activate while baking. Call a qualified service agency to repair the range.

NOTE:

It is normal for the cooling process to push heated air out into the room when the oven is on.

Other Uses of Bake

Slow Cooking and Low Temperature Uses of the Oven

In addition to providing perfect temperatures for baking and roasting, the oven can be used at low temperatures to keep hot, cooked foods at serving temperature, to dehydrate food and to warm plates.

Hot cooked foods can be kept at serving temperatures. Set the oven to bake and use the temperature suggested on the chart.

For best results, preheat the oven to the desired temperature.

Foods that need to be kept moist must be covered with a lid or aluminum foil.



WARNING:

FOOD SAFETY — The United States Department of Agriculture advises: **DO NOT** hold foods at temperatures between 40°F – 140°F (4°C – 60°C) for more than 2 hours. Cooking raw foods below 275°F (135°C) is not recommended.

Broil

NOTE:

Successful broiling requires constant exposure to high, intense heat.

It is impossible to use the BAKE and BROIL simultaneously. When one is on, the other one cannot be turned on.

Getting the Best Results

- Defrost food before broiling.
- Keep door closed during broiling.
- Steaks should be more than 1" (25.4 mm) thick if rare meat is desired.
- Turn foods over only once, after half the total cooking time. It is not necessary to turn very thin foods (ham slices, fillets of fish, etc.). Liver slices must be turned over regardless of thickness.
- Use a minute timer. Set it for the minimum time to check the food.
- Center foods directly under the infrared burner for best browning.
- If food is too close to the broiler while broiling excessive smoke may occur. Move food to a lower rack.

Rack Positions

Before turning on the oven, place the rack in the desired position. Center the broil pan directly under the infrared burner.

- #4 — Use this rack position when broiling beef steaks, ground meat patties, ham steak and lamb chops 1" (25.4 mm) or less in thickness. Also, use when top browning foods.
- #3 — Use this rack position when broiling meat 1½" (29 mm) or more in thickness, fish, poultry, pork chops, ham steaks 1" (25.4 mm) or more in thickness.
- #3 — Use this rack when broiling chicken quarters or halves.

Utensils

- The porcelain enamel two-piece broil pan and grid is included with the range. **DO NOT** cover the slotted grid (top) with aluminum foil.
- Use metal or glass-ceramic bakeware when top browning casseroles, main dishes, or bread.
- DO NOT use heat-proof glass or pottery. This type of glassware cannot withstand the intense heat of the gas broiler.

Broiling Using a Regular Meat Thermometer

For accurately determining the degree of doneness for a thick steak or chop (at least 1½" / 38 mm thick), use a regular meat thermometer. Insert the point of the thermometer into the side of the meat to the center of the steak or chop.

For rare steaks, cook the first side to 90°F (32°C). For medium or well done steaks, cook the first side to 100°F (38°C). Turn and cook the second side to desired internal temperature.

Setting Broil

Only the infrared burner heats in the **BROIL** mode.

To Set the Oven to Broil

1. Place oven rack in desired position.
2. Set Mode Selector Knob to **BROIL**.
3. Set Temperature Selector Knob to **BROIL**.
4. **PREHEAT** oven approximately three (3) minutes.
5. Place food in oven at desired rack position.
6. The oven door must be closed when broiling in the oven.
 - Your range comes with a large two-piece broil pan. The slotted grid allows drippings to flow into the lower pan, away from the intense heat of the broil burner, minimizing spattering, smoking, and the chance of a grease fire.

The **OVEN ON** light stays on during BROIL mode, and remains on until either of the oven control knobs is turned to the **OFF** position.

Automatic operation of the cooling blowers:

The cooling blowers activate after the oven reaches 300°F (149°C). When the oven is turned off, the blowers remain on until the oven temperature cools below 250°F (121°C).

DO NOT continue to use the broiler if the cooling blower fails to activate while broiling. Call a qualified service agency to repair the range.

Broiling and Roasting Recommendations

All meats are placed on the broiler pan included with the range.

FOOD ITEM	RACK NUMBER	OVEN MODE	CONTROL TEMPERATURE SETTING (F)	APPROXIMATE COOKING TIME	SPECIAL INSTRUCTIONS AND TIPS
BEEF					
Ground Beef Patties, 1/2" (12.7mm) thick	4	Broil	Broil	15 to 20 minutes	Broil until no pink in center
T-Bone Steak	4	Broil	Broil	12 to 20 minutes	Time depends on rareness of steak
Flank Steak	4	Broil	Broil	12 to 20 minutes	Rare to Medium Rare
Rib Roast	3	Bake or Conv Bake	425°F (218°C) to sear 325°F (163°C) to finish	20 to 25 min/lb	Small roasts take more minutes per pound; reduce time by using Conv Bake
BREADS					
Toast, Garlic Bread, etc.	5	Broil	Broil	1 – 2 minutes	Broil until brown
PORK					
Loin Roast	3	Bake or Conv Bake	325°F (163°C)	20 to 25 min/lb	Cook until juices are clear
POULTRY					
Boneless Skinless Chicken Breasts	4	Broil	Broil	20 to 25 minutes	Cook until juices are clear
Chicken Thighs	3	Broil	Broil	25 to 30 minutes	Remove skin; Cook until juices are clear
Half Chickens	3	Broil	Broil	30 to 45 minutes	Turn with tongs; Cook until juices are clear
Roast Chicken	2	Bake or Conv Bake	375°F (190°C)	75 to 90 minutes	Do not stuff; reduce time by using Convection Bake
Turkey	2	Bake or Conv Bake	325°F (163°C)	20 to 25 min/lb	Do not stuff; reduce time by using Convection Bake

Care and Maintenance

Range Cleaning

When Cleaning This Range:

1. Use the mildest cleaning procedure that will do the job efficiently and effectively. Some cleaners of the same type are harsher than others. Try on a small area first.
2. Always rub metal finishes in the direction of the polish lines for maximum effectiveness and to avoid marring the surface.
3. Use only clean soft cloths, sponges, paper towels, fibrous brushes, plastic, non-metal or steel wool soap pads for cleaning and scouring, as recommended on the chart.
4. Any part of this appliance can be cleaned with hot sudsy water. When rinsing is required, rinse thoroughly.
5. Always wipe dry immediately to avoid water marks.
6. Do not use chlorine-based cleaners.
7. Treat stainless surfaces with a stainless steel polish after cleaning to maintain and protect the finish.



CAUTION:

Avoid cleaning any part of the range while it is hot.

Brand Names

The use of brand names is intended only to indicate a type of cleaner. This does not constitute an endorsement. The omission of any brand name cleaner does not imply its adequacy or inadequacy. Many products are regional in distribution and can be found in the local markets. It is imperative that all products be used in strict accordance with instructions on the package. The following chart gives directions for cleaning this range.

Rack Guide removal, for cleaning:

1. Lift the front of rack guide to clear the heads of the two shoulder bolts at the front of the oven cavity.
2. Remove the front portion of the rack guide by pulling the guide's key slots over the shoulder bolts.
3. Pull the two rails out of the holes in the back of the oven cavity.

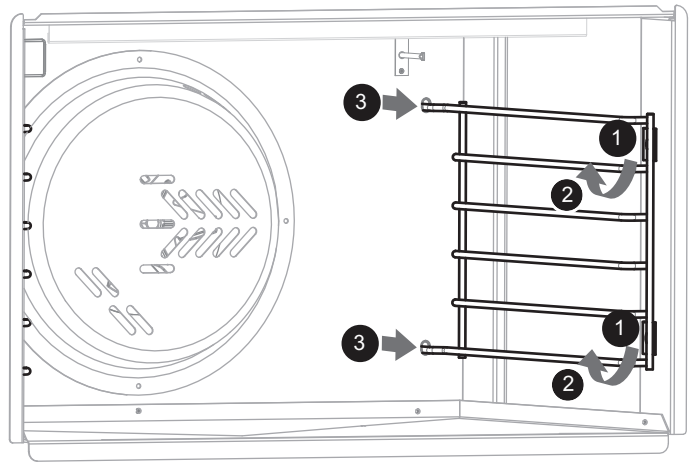
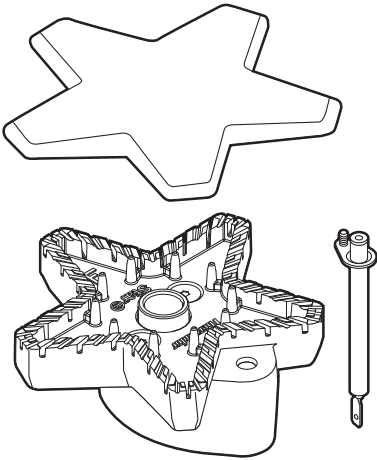


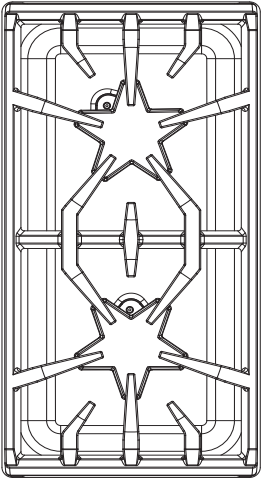
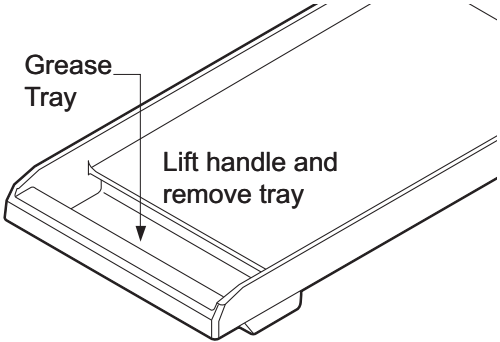
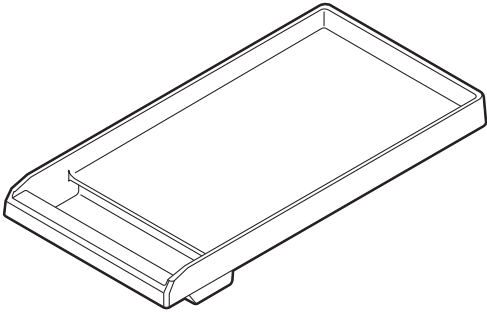
Figure 31: Oven Rack Guide Removal

Note:

The rack guides are designed to fit either side of the oven cavity.

Cleaning Recommendations

PART/MATERIAL	SUGGESTED CLEANERS	IMPORTANT REMINDERS
<p>Brass Burner Base and Cast Iron Cap</p> 	<ul style="list-style-type: none"> • Hot sudsy water; rinse and dry thoroughly. • Mild abrasive cleansers: Bon-ami[®], Cameo[®] Aluminum and Stainless Steel Cleaner, Wright's[®] All Purpose Brass Polish. • Liquid cleaners: Kleen King[®]. • Stiff nylon bristle tooth brush to clean port openings. • After cleaning, make sure that the STAR[®] burner cap is correctly seated on the STAR burner base. 	<ul style="list-style-type: none"> • DO NOT scratch or gouge the port openings of STAR burner cap.
<p>Igniters/Ceramic</p>	<ul style="list-style-type: none"> • Use a cotton swab dampened with water, Formula 409[®] or Fantastic[®]. 	<ul style="list-style-type: none"> • DO NOT use sharp tools to scrape the igniters. The igniters are fragile. If an igniter is damaged, it may not light the burner.
<p>Control Knobs/ Metal Bezels/ Chrome Full Access[®] Oven Racks/ Chrome</p>	<ul style="list-style-type: none"> • Hot sudsy water; rinse and dry immediately. 	<ul style="list-style-type: none"> • Do not soak knobs. • Do not force knobs onto wrong valve shaft.
<p>Exterior Finish/Back Guard / Stainless Steel</p>	<ul style="list-style-type: none"> • Nonabrasive cleaners: hot water and detergent, Fantastik[®], Formula 409[®]. Rinse and dry immediately. • Cleaner polish: Stainless Steel Magic[®] to protect the finish from staining and pitting; enhances appearance. • Hard water spots: household vinegar. • Mild Abrasive Cleaners: Siege[®] Stainless Steel and Aluminum Cleaner, Kleen King[®] Stainless Steel liquid cleaner. • Heat discoloration: Cameo[®], Barkeepers Friend[®], Zud[®], Wright's[®] All Purpose Brass Polish. 	<ul style="list-style-type: none"> • Stainless steel resists most food stains and pit marks providing the surface is kept clean and protected. • Never allow food stains or salt to remain on stainless steel for any length of time. • Rub lightly in the direction of polish lines. • Chlorine or chlorine compounds in some cleaners are corrosive to stainless steel. Check ingredients on label.

PART/MATERIAL	SUGGESTED CLEANERS	IMPORTANT REMINDERS
<p>Grates/ Porcelain Enamel on Cast Iron</p> 	<ul style="list-style-type: none"> • Nonabrasive cleaners: hot water and detergent, Fantastik[®], Formula 409[®]. Rinse and dry immediately. • Mild abrasive cleaners: Bon-ami[®] and Soft Scrub[®]. • Abrasive cleaners for stubborn stains: soap-filled steel wool pad. • Lestoil[®] or other degreaser. • The rough texture of the grate can sometimes remove aluminum deposits from the bottom of pans and fill in areas between the high spots on the surface of the grate. The metal deposits can be removed with a clean Scotch Brite[™] scrub sponge or a coarse steel wool pad. 	<ul style="list-style-type: none"> • The grates are heavy; use care when lifting. Place on a protected surface. • Blisters/ crazing/ chips are common due to the extreme temperatures on grate fingers and rapid temperature changes. • Acidic and sugar-laden spills deteriorate the enamel. Remove soil immediately. • Abrasive cleaners, used too vigorously or too often can eventually mar the enamel. • Use special care when cooking with copper and aluminum pots and pans as this type of cookware can sometimes leave metal deposits on the grates.
<p>Griddle Grease Tray/ Aluminum with non-stick titanium coating</p> 	<ul style="list-style-type: none"> • Remove grease tray and discard grease into a grease resistant container for disposal. Wash grease tray in warm soapy water or place in dishwasher. • Clean the grease tray after each use. • Wash in detergent and hot water; rinse and dry. • Stubborn soil: Soft Scrub[®]. 	<ul style="list-style-type: none"> • Empty grease tray after each use. • Remove tray after grease has cooled. Be careful not to fill it so full that tipping to remove it spills the grease.
<p>Griddle/ Aluminum with non-stick titanium coating</p> 	<ul style="list-style-type: none"> • Wipe griddle surface with warm soapy water then rinse with warm water. Wipe dry with a soft cloth. • If food particles stick to the griddle plate, remove with a mild abrasive cleaner such as Soft Scrub[®]. 	<ul style="list-style-type: none"> • NEVER flood a hot griddle with cold water. This can warp or crack the aluminum plate. • DO NOT clean any part of the grill or griddle in a self-cleaning oven.

PART/MATERIAL	SUGGESTED CLEANERS	IMPORTANT REMINDERS
<p>Surface Spill Trays Porcelain Enamel (gloss finish)</p>	<p>A cleaner such as Soft Scrub® may be used. Apply with a damp sponge or cloth according to the manufacturer's instructions. Rinse thoroughly and wipe dry with a soft cloth.</p> <p>If cleaners such as Bar Keeper's Friend®, Bon Ami®, Comet® or Ajax® are used, apply with a damp sponge or cloth according to the manufacturer's directions. Rub lightly as these cleansers may scratch the finish. Rinse thoroughly and wipe dry with a soft cloth.</p> <p>For burned on foods, soap filled fiber or steel wool pads such as S.O.S.® or Brillo® may be used. Dampen the pad and rub gently. Care must be taken as these may scratch the finish. Rinse thoroughly and wipe dry with a soft cloth.</p>	
<p>Broil Pan Grid/Bottom Porcelain Enamel</p>	<p>To loosen cooked on food, sprinkle empty hot grid with powdered laundry detergent or squirt with liquid detergent and cover with wet paper towels. Allow to stand.</p> <p>Hot sudsy water.</p> <ul style="list-style-type: none"> Wash, rinse thoroughly and dry. <p>Cleaners: Soft Scrub®.</p> <ul style="list-style-type: none"> Apply with a damp sponge or cloth according to manufacturer's directions. Rinse and wipe dry. <p>Powdered Cleanser: Bon-ami®, Comet®, Ajax®.</p> <ul style="list-style-type: none"> Apply with a damp sponge or cloth according to manufacturer's directions. (Rub lightly, it may scratch the finish!) Rinse thoroughly and wipe dry. <p>Soap-filled fiber or steel wool pads: S.O.S.®, Brillo®.</p> <p>Dampen pad, rub lightly, it may scratch the finish. Rinse thoroughly and wipe dry.</p>	
<p>Cavity Porcelain Enamel on Steel</p>	<p>Porcelain enamel is acid resistant, but not acid proof. Acid foods such as citrus juices, tomatoes, rhubarb, vinegar, alcohol or milk, should be wiped up and not allowed to bake onto the porcelain during the next use. Over a period of time, the porcelain may craze (get fine hairlike lines) This will not affect oven performance.</p> <p>Hot sudsy water. Wash, rinse thoroughly, and dry.</p> <p>Mild Cleaners: Bon-ami®, ammonia, or ammonia and water, Soft Scrub®.</p> <p>Apply to a damp sponge or cloth. Rub lightly. Rinse thoroughly. Dry. If food has burned onto the oven and is difficult to remove, the spots can be soaked with a cloth saturated with household ammonia. Close the door and allow it to soak for an hour or two, or until the food soil can be easily removed with a damp soapy cloth or mild abrasive. A solution of about 3 tablespoons of household ammonia in a half cup of water may be placed in the warm oven over night. This will loosen hardened residue and spillage so that it may be easily wiped up. The ammonia solution may be added to warm water for a thorough wiping of the oven.</p>	
<p>Doors Exterior, Frame, Door Handle Stainless Steel</p>	<p>Use care to keep cleaners and water away from the door vents. If water or cleaners spill into the vents, water may streak the glass inside.</p>	
<p>Seal Door Gasket</p>	<p>General Kitchen Cleaners: Formula 409®, Fantastik®. Spray on and blot dry with a cloth. DO NOT rub. Do not move, remove or damage mesh.</p>	

Do-It-Yourself Maintenance

Oven Light Bulb Replacement



CAUTION:

- Make sure the appliance and lights are cool and power to the appliance has been turned off before replacing the light bulb(s). Failure to do so could result in electrical shock or burns.
- The covers must be in place when using the appliance.
- The covers serve to protect the light bulb from breaking.
- The covers are made of glass. Handle carefully to avoid breaking. Broken glass could cause an injury.
- The light socket is live when the door is open.

Replace only with a recommended light bulb designed for appliance oven use. **DO NOT USE** a standard household light bulb in any oven. Call THERMADOR® Customer Care Center at 1-800-735-4328 or your nearest THERMADOR dealer to determine the proper replacement bulb for your range. You will need to know your range's model number and serial number.

To Replace the Light Bulb:

For bulb replacement, any commercially available bulb with the following specification can be used: **120 or 130 VAC, 50 W max., G8 base, Halogen**. Use a clean, dry cloth to handle halogen light bulbs. This will increase the life of the bulb.

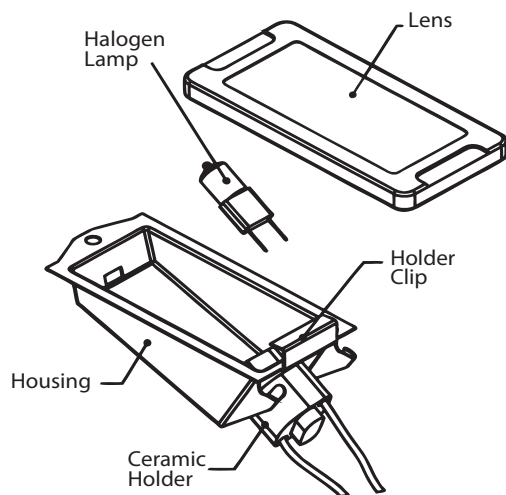


Figure 32: Oven Lamp Assembly

1. Turn off circuit breaker.
2. Remove oven racks.
3. Slide the tip of a flat blade screw driver between the fixing glass lens cover and the lamp housing (*Figure 33, A*).

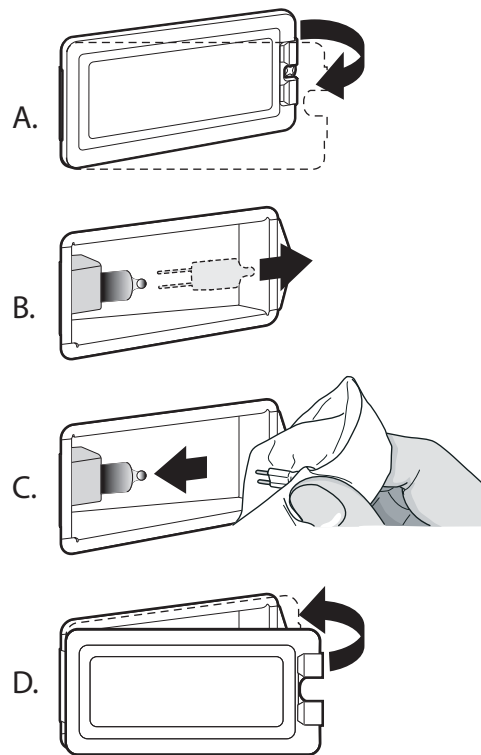


Figure 33: Bulb Replacement

4. Support the glass lens cover with two fingers along the bottom edge to prevent the cover from falling to the bottom of the oven. Gently twist the flat blade screw driver to loosen the glass lens cover.
5. Remove the glass lens cover.
6. Remove the bulb by grasping and sliding the bulb straight back until the two prongs have cleared the ceramic holder (*Figure 33, B*).
7. Do not touch the glass of the new replacement bulb with your fingers. It may cause the bulb to fail when it first lights. Grasp the replacement bulb with a clean dry cloth. Locate the two prongs in the ceramic holder, gently poking until the two prongs locate in the ceramic socket.
8. Press down to seat the bulb (*Figure 33, C*).
9. Slide the protective lens into the holder clip and push the other end until the lens snaps back into the housing (*Figure 33, D*).
10. Turn on circuit breaker.

Power Failure

In the event of a power failure, only the standard burners can be lit manually. It is necessary to light each standard burner individually.

The two ExtraLow[®] burners on the left side cannot be used during a power failure. Be sure to turn them OFF if a power failure occurs because they will not turn back on until the control knobs are turned OFF and then turned back on again. See “WHAT TO DO IF YOU SMELL GAS” on page 1.

All oven knobs and selectors must be set to OFF before powering up the range. To prevent unintended operation at power up, please set all oven knobs to OFF.

If the range's cooktop is being used when the power failure occurs, turn all of the burner control knobs to the OFF position. The standard burners can be lit by holding a match at the ports and turning the control knob to the HI position. Wait until the flame is burning all the way around the burner cap before adjusting the flame to the desired height.

Intermittent or Constant Igniter Sparking

Intermittent or constant sparking of the sealed gas surface burners can result from a number of preventable conditions. Eliminate these conditions as indicated in the following chart.

SYMPTOM	CAUSE	REMEDY
Intermittent sparking	<ul style="list-style-type: none">• Ceramic igniter is wet or dirty.• STAR[®] burner ports are clogged.	<ul style="list-style-type: none">• Carefully dry or clean igniter.• Clean ports on STAR burner cap with a wire, a needle or straightened paper clip.
More than four clicks of igniter before lighting	<ul style="list-style-type: none">• Improper fit of STAR burner cap onto STAR burner base.	<ul style="list-style-type: none">• Align STAR burner cap properly on STAR burner base.
Constant Sparking	<ul style="list-style-type: none">• Range is not properly grounded.	<ul style="list-style-type: none">• Refer to the <i>Installation Manual</i>. Have a qualified electrician ground the range properly.
	<ul style="list-style-type: none">• Electrical power supply is incorrectly polarized.	<ul style="list-style-type: none">• Refer to the <i>Installation Manual</i>. Have a qualified electrician ground the range properly.

Before Calling For Service

Before calling for service, check the following to avoid unnecessary service charges.

Be sure to check these items first:

- Is there a power outage in the area?
- Is the household fuse blown or the circuit breaker tripped?
- Is the range disconnected from the electrical supply?

If the burners do not ignite:

- Are the burner caps properly aligned and seated in the burner bases?
- Are the burner ports clogged?
- Is a fuse blown or is the circuit breaker tripped?
- Is the manual shut-off valve closed, preventing the flow of gas?

Data Rating Label

The data rating plate shows the model and serial number of your range. It is located on the frame, behind the oven door (Figure 34).

The electric wiring diagrams and schematics are attached behind the toe kick, and should not be removed except by a service technician, then replaced after service (Figure 34).

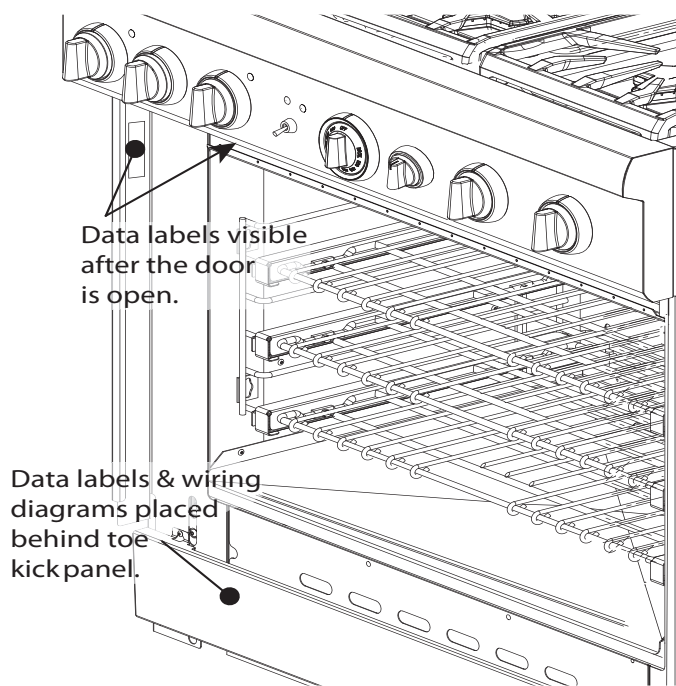


Figure 34: Rating Label Location



CAUTION:

Before removing the toe kick panel, disconnect the range from the electrical power supply. Reinstall the toe kick panel before reconnecting the range to the power supply and operating the range.

Service Information

For handy reference, copy the information below from the data rating plate located on the frame, behind the oven door. Keep your invoice for Warranty validation.

Model Number _____

Serial Number _____

Date of Purchase _____

Dealer's Name _____

Dealer's Phone Number _____

Service Center's Name _____

Service Center's Phone Number _____

Also, enter this information on the Product Registration Form included with this product, then mail it to the indicated address.

Register your BSH product to ensure timely service and access to your product related information. You may register your product through one of the following ways:

1. Mail in the completed THERMADOR® Product Registration card.
2. Register your product online at www.thermador.com.
3. Call us at THERMADOR customer service at 1-800-735-4328.

Statement of Limited Product Warranty

What this Warranty Covers & Who it Applies to

The limited warranty provided by BSH Home Appliances Corporation (BSH) in this Statement of Limited Product Warranty applies only to the THERMADOR® appliance sold to you, the first using purchaser, provided that the Product was purchased:

- For your normal, household (non-commercial) use, and has in fact at all times only been used for normal household purposes.
- New at retail (not a display, “as is”, or previously returned model), and not for resale, or commercial use.
- Within the United States or Canada, and has at all times remained within the country of original purchase.

The warranties stated herein apply only to the first purchaser of the Product and are not transferable.

Please make sure to return your registration card; while not necessary to effectuate warranty coverage, it is the best way for BSH to notify you in the unlikely event of a safety notice or product recall.

How Long the Warranty Lasts

Product built preceding January 1, 2012 with a number of FD911299999 or lower: BSH warrants that the Product is free from defects in materials and workmanship for a period of three hundred and sixty-five (365) days from the date of purchase. The foregoing timeline begins to run upon the date of purchase, and shall not be stalled, tolled, extended, or suspended, for any reason whatsoever.

Product built subsequent to January 1, 2012 with a number of FD920100000 or higher: BSH warrants that the Product is free from defects in materials and workmanship for a period of seven hundred and thirty (730) days from the date of purchase. The foregoing timeline begins to run upon the date of purchase, and shall not be stalled, tolled, extended, or suspended, for any reason whatsoever.

Repair/Replace as Your Exclusive Remedy

During this warranty period, BSH or one of its authorized service providers will repair your Product without charge to you (subject to certain limitations stated herein) if your Product proves to have been manufactured with a defect in materials or workmanship. If reasonable attempts to repair the Product have been made without success, then BSH will replace your Product (upgraded models may be available to you, in the sole discretion of BSH, for an additional charge). All removed parts and components shall

become the property of BSH at its sole option. All replaced and/or repaired parts shall assume the identity of the original part for purposes of this warranty and this warranty shall not be extended with respect to such parts. BSH's sole liability and responsibility hereunder is to repair manufacturer-defective Product only, using a BSH-authorized service provider during normal business hours. For safety and property damage concerns, BSH highly recommends that you do not attempt to repair the Product yourself, or use an un-authorized servicer; BSH will have no responsibility or liability for repairs or work performed by a non-authorized servicer. If you choose to have someone other than an authorized service provider work on your Product, **THIS WARRANTY WILL AUTOMATICALLY BECOME NULL AND VOID.** Authorized service providers are those persons or companies that have been specially trained on BSH products, and who possess, in BSH's opinion, a superior reputation for customer service and technical ability (note that they are independent entities and are not agents, partners, affiliates or representatives of BSH). Notwithstanding the foregoing, BSH will not incur any liability, or have responsibility, for the Product if it is located in a remote area (more than 100 miles from an authorized service provider) or is reasonably inaccessible, hazardous, threatening, or treacherous locale, surroundings, or environment; in any such event, if you request, BSH would still pay for labor and parts and ship the parts to the nearest authorized service provider, but you would still be fully liable and responsible for any travel time or other special charges by the service company, assuming they agree to make the service call.

Out of Warranty Product

BSH is under no obligation, at law or otherwise, to provide you with any concessions, including repairs, pro-rates, or Product replacement, once this warranty has expired.

Warranty Exclusions

The warranty coverage described herein excludes all defects or damage that are not the direct fault of BSH, including without limitation, one or more of the following:

- Use of the Product in anything other than its normal, customary and intended manner (including without limitation, any form of commercial use, use or storage of an indoor product outdoors, use of the Product in conjunction with air or water-going vessels).
- Any party's willful misconduct, negligence, misuse, abuse, accidents, neglect, improper operation, failure to maintain, improper or negligent installation, tampering, failure to follow operating instructions, mishandling, unauthorized service (including self-performed “fixing” or exploration of the appliance's internal workings).

- Adjustment, alteration or modification of any kind.
- A failure to comply with any applicable state, local, city, or county electrical, plumbing and/or building codes, regulations, or laws, including failure to install the product in strict conformity with local fire and building codes and regulations.
- Ordinary wear and tear, spills of food, liquid, grease accumulations, or other substances that accumulate on, in, or around the Product.
- Any external, elemental and/or environmental forces and factors, including without limitation, rain, wind, sand, floods, fires, mud slides, freezing temperatures, excessive moisture or extended exposure to humidity, lightning, power surges, structural failures surrounding the appliance, and acts of God.

In no event shall BSH have any liability or responsibility whatsoever for damage to surrounding property, including cabinetry, floors, ceilings, and other structures or objects around the Product. Also excluded from this warranty are scratches, nicks, minor dents, and cosmetic damages on external surfaces and exposed parts; Products on which the serial numbers have been altered, defaced, or removed; service visits to teach you how to use the Product, or visits where there is nothing wrong with the Product; correction of installation problems (you are solely responsible for any structure and setting for the Product, including all electrical, plumbing or other connecting facilities, for proper foundation/flooring, and for any alterations including without limitation cabinetry, walls, floors, shelving, etc.); and resetting of breakers or fuses.

TO THE EXTENT ALLOWED BY LAW, THIS WARRANTY SETS OUT YOUR EXCLUSIVE REMEDIES WITH RESPECT TO PRODUCT, WHETHER THE CLAIM ARISES IN CONTRACT OR TORT (INCLUDING STRICT LIABILITY, OR NEGLIGENCE) OR OTHERWISE. THIS WARRANTY IS IN LIEU OF ALL OTHER WARRANTIES, WHETHER EXPRESS OR IMPLIED. ANY WARRANTY IMPLIED BY LAW, WHETHER FOR MERCHANTABILITY OR FITNESS FOR A PARTICULAR PURPOSE, OR OTHERWISE, SHALL BE EFFECTIVE ONLY FOR THE PERIOD THAT THIS EXPRESS LIMITED WARRANTY IS EFFECTIVE. IN NO EVENT WILL THE MANUFACTURER BE LIABLE FOR CONSEQUENTIAL, SPECIAL, INCIDENTAL, INDIRECT, "BUSINESS LOSS", AND/OR PUNITIVE DAMAGES, LOSSES, OR EXPENSES, INCLUDING WITHOUT LIMITATION TIME AWAY FROM WORK, HOTELS AND/OR RESTAURANT MEALS, REMODELLING EXPENSES IN EXCESS OF DIRECT DAMAGES WHICH ARE DEFINITELY CAUSED EXCLUSIVELY BY BSH, OR OTHERWISE. SOME STATES DO NOT ALLOW THE EXCLUSION OR LIMITATION OF INCIDENTAL OR CONSEQUENTIAL DAMAGES, AND SOME STATES DO NOT ALLOW LIMITATIONS ON HOW LONG AN IMPLIED WARRANTY LASTS, SO THE ABOVE LIMITATIONS MAY NOT APPLY TO YOU. THIS WARRANTY GIVES YOU SPECIFIC LEGAL RIGHTS, AND YOU MAY ALSO HAVE OTHER RIGHTS WHICH VARY FROM STATE TO STATE.

No attempt to alter, modify or amend this warranty shall be effective unless authorized in writing by an officer of BSH.

We reserve the right to make changes in the product or this manual without notification.

Table des matières

Sécurité	1	Séchage d'aliments avec le mode de cuisson à convection.	26
Avant de commencer	8	Conseils de cuisson au four	26
Description	11	Réglages de cuisson/cuisson par convection/ Cuisson prolongée	27
Identification du modèle 48"	11	Autres utilisations du four	28
Identification du modèle 36"	12	Gril	29
Identification du modèle 30"	12	Conseils de cuisson – grillade et rôtis	31
Utilisation de la cuisinière	13	Entretien et nettoyage	32
Récipients recommandés	17	Nettoyage de la cuisinière	32
Récipients pour spécialités	18	Conseils de nettoyage	32
Conseils de cuisson – Brûleurs de la table de cuisson	19	Entretien à faire soi-même	36
Concernant la grille électrique	21	Avant d'appeler le service technique	38
Recommandations de cuisson sur la plaque chauffante	22	Énoncé de garantie limitée du produit	39
Utilisation de la table de cuisson .	23	THERMADOR^{mc} entretien, pièces et accessoires	page verso
Cuisson au four	23		
Convection	24		

Cet appareil électroménager de THERMADOR^{mc} est fait par
BSH Home Appliances Ltd.
6696 Financial Drive, Unit 3
Mississauga, ON L5N 7J6

Questions?

1-800-735-4328

www.thermador.ca

Nous attendons de vos nouvelles!

Sécurité



INSTRUCTIONS DE SÉCURITÉ IMPORTANTES LISEZ ET CONSERVEZ CES INSTRUCTIONS

LISEZ ATTENTIVEMENT CE QUI SUIT

AVERTISSEMENT :

Lorsque l'appareil est raccordé au gaz propane, veillez à ce que le réservoir de gaz soit doté de son propre régulateur à haute pression en plus du régulateur fourni avec la cuisinière. **La pression maximale de gaz à cet appareil ne peut pas dépasser une colonne d'eau de 14,0 pouces (34,9 mb) du réservoir de gaz au régulateur de pression.**

MISE EN GARDE :

Pour éviter tout risque de brûlure ou d'incendie, un protecteur arrière spécifique-ment conçu pour cette cuisinière doit être installé lorsqu'elle est en usage.

AVERTISSEMENT :

Si vous ne suivez pas rigoureusement les renseignements fournis dans le présent guide, des risques d'incendie ou d'explosion sont susceptibles de causer des dommages matériels, des blessures ou la mort.

- N'entreposez pas et n'utilisez pas d'essence ou d'autres produits inflammables sous forme de liquide ou de vapeur à proximité de la cuisinière ou de tout autre appareil.
- SI VOUS DÉTECTEZ UNE ODEUR DE GAZ
 - N'allumez aucun appareil.
 - Ne touchez pas aux interrupteurs électriques.
 - N'utilisez pas les téléphones du bâtiment où vous trouvez.
 - Appelez immédiatement votre société gazière chez un voisin et suivez les instructions qu'elle vous donne.
 - Si vous n'arrivez pas à contacter votre société gazière, appelez le service d'incendie.
- L'installation et les travaux d'entretien doivent être réalisés par un installateur qualifié, un centre de réparation agréé ou une société gazière.

AVERTISSEMENT :



Un enfant ou un adulte pourrait faire basculer l'appareil et perdre la vie. Assurez-vous que le dispositif anti-bascule a été convenablement installé et que la patte de l'appareil est retenue par le support lorsque vous remettez la cuisinière en place.

Ne faites pas fonctionner l'appareil si le support anti-bascule n'est pas en place. La non-observation des instructions du présent guide peut entraîner la mort ou causer de graves brûlures à des enfants ou des adultes.

Assurez-vous que le support anti-bascule est bien installé et dûment utilisé. Penchez prudemment la cuisinière vers l'avant en tirant la partie arrière pour vous assurer que la patte de la cuisinière glisse dans le dispositif antibasculer et prévienne les basculements. La cuisinière ne devrait pas pouvoir bouger de plus d'un pouce (2,5 cm).

Exigences en matière de gaz et d'électricité et instructions de mise à la terre

Vérification du type de gaz

Vérifiez le type de gaz fourni à votre emplacement. Assurez-vous que l'appareil est raccordé au type de gaz pour lequel il est certifié. Tous les modèles sont certifiés pour l'utilisation du gaz naturel. La conversion sur le terrain de l'appareil pour utilisation avec du gaz propane exigera une trousse de conversion incluse. Assurez-vous que le type de cuisinière et le type de gaz sont compatibles. Reportez-vous à l'étiquette de données qui se trouve à l'endroit indiqué à la page 38.



INSTRUCTIONS DE SÉCURITÉ IMPORTANTES

LISEZ ET CONSERVEZ CES INSTRUCTIONS

IMPORTANT :

Lors d'une installation contre une surface combustible, vous devez utiliser une étagère haute ou un dossier bas. Vous devez vous procurer séparément ces articles THERMADOR^{mc}. Avant d'utiliser la cuisinière, assurez-vous qu'elle est dotée d'un dossier de protection approprié. Reportez-vous au Manuel d'installation qui accompagne cet appareil pour de plus amples détails.

Lors de l'utilisation de la garniture d'îlot THERMADOR, il faut un espace minimal de 12 po (305 mm) entre la partie arrière de l'appareil et la surface combustible. Les espaces libres jusqu'aux surfaces non combustibles ne sont pas précisés dans la norme ANSI Z21.1 et ne sont pas certifiés par la CSA. Tout espace libre de moins de 12 po (305 mm) doit être approuvé par les normes locales ou l'autorité locale ayant compétence.

Consultez les exigences d'alimentation électrique et de mise à la terre dans les instructions d'installation.

AVERTISSEMENT :

Vous ne devriez pas installer cet appareil avec un système de ventilation à aspiration descendante. Ce type de système de ventilation peut présenter des risques d'incendie et des problèmes de combustion et ainsi entraîner des blessures corporelles, des dommages matériels ou un fonctionnement involontaire. Aucune restriction ne s'applique aux systèmes de ventilation à aspiration ascendante.

Il est de votre responsabilité et de votre obligation, à vous, l'acheteur, de vous s'assurer qu'un électricien qualifié branche cet appareil à l'alimentation électrique, conformément au code national de l'électricité ou aux codes et règlements locaux en vigueur.

Avant d'utiliser la cuisinière, assurez-vous qu'elle est munie d'un dossier adéquat. Consultez les instructions d'installation qui accompagnent cet appareil pour obtenir de plus amples renseignements.

Il est conseillé de réserver un circuit électrique à cet appareil.

L'utilisation d'appareils de cuisson au gaz produit de la chaleur et de l'humidité.

Modèles à combustion jumelée 30 po :

120 volts, 60 Hz, Circuit électrique de 10 ampères requis pour chaque circuit.

Modèles à combustion jumelée 36 po :

120 volts, 60 Hz, Circuit électrique de 10 ampères requis pour chaque circuit. Modèle 36 po avec gril électrique - circuit électrique de 20 A requis.

Modèles à combustion jumelée 48 po :

120 volts, 60 Hz, circuit électrique de 20 ampères requis.

AVERTISSEMENT :

Pour éviter tout risque de brûlure ou d'incendie, un dossier conçu spécialement pour cette cuisinière doit être installé.

ATTENTION :

L'étagère à casseroles peut devenir très chaude! NE mettez PAS les objets suivants sur cette étagère :

- du plastique ou des contenants qui peuvent fondre;
- des articles inflammables;
- des articles pesant plus de 30 livres (13,6 kg).

AVERTISSEMENT :

DÉBRANCHEZ TOUJOURS LA FICHE ÉLECTRIQUE DE LA PRISE MURALE AVANT D'EFFECTUER DES RÉPARATIONS SUR LA CUISINIÈRE.

AVERTISSEMENT :

POUR VOTRE SÉCURITÉ PERSONNELLE, CET APPAREIL DOIT ÊTRE CONNECTÉ À UNE ALIMENTATION ÉLECTRIQUE POLARISÉE AVEC UNE MISE À LA TERRE ADÉQUATE.

NE tentez PAS d'allumer manuellement les deux brûleurs XLO^{mc} de gauche et les deux brûleurs XLO de droite. Ces brûleurs sont dotés de la fonction ExtraLow^{mc} et ne peuvent être allumés manuellement.

ESSAIS CONFORMES À:

- La norme américaine ANSI Z21.1 régissant les appareils électroménagers au gaz.
- La norme américaine UL858 régissant les cuisinières électriques domestiques.
- La norme canadienne CAN/CSA-22.2 régissant les cuisinières domestiques.
- La norme canadienne CAN/CGA 1.1-M81 régissant les cuisinières domestiques au gaz.



INSTRUCTIONS DE SÉCURITÉ IMPORTANTES

LISEZ ET CONSERVEZ CES INSTRUCTIONS

Consultez la réglementation locale du bâtiment qui s'applique à votre cas pour connaître la bonne méthode d'installation. S'il n'y a pas de réglementation, cet appareil doit être installé conformément au code national américain sur les gaz combustibles No Z223.1, édition actuelle, et au code américain de l'électricité ANSI/NFPA No 70, édition actuelle, ou bien au code canadien Can - B149 régissant l'installation des appareils à gaz et à la section 1 du code électrique canadien C22.1.

AVERTISSEMENT :

EN CAS DE DÉFAILLANCE ÉLECTRIQUE

Si, pour une raison quelconque, un bouton de commande est activé (ON) sans qu'aucune alimentation électrique ne puisse allumer les brûleurs STAR^{mc}, **éteignez-le et attendez 5 minutes** que le gaz se dissipe avant d'allumer manuellement le brûleur STAR.

Pour allumer manuellement les brûleurs STAR, grattez une allumette et approchez-la des orifices du brûleur STAR, puis tournez le bouton de commande du gaz à la position HI (élevé). Durant une panne d'électricité, vous pouvez utiliser les brûleurs STAR de la table de cuisson, mais chacun d'eux devra être allumé à l'aide d'une allumette.

Ne tentez **PAS** d'allumer les deux brûleurs XLO STAR de gauche et les deux brûleurs XLO STAR de droite manuellement. Ces brûleurs STAR sont dotés de l'option ExtraLow et ne peuvent pas être allumés manuellement.

Il incombe au propriétaire et à l'installateur de déterminer si des exigences ou des normes additionnelles s'appliquent à l'installation spécifique.

Consignes de sécurité destinées à éviter les blessures

Votre cuisinière PROFESSIONAL^{mc} de THERMADOR est conçue pour être fiable et sécuritaire si elle est bien entretenue. Néanmoins, vous devez faire preuve d'une grande prudence lorsque vous utilisez cette cuisinière professionnelle, car ce type d'appareil produit une chaleur intense. L'utilisation d'appareils de cuisine doit se faire conformément aux consignes élémentaires de sécurité, y compris ce qui suit:

Lisez attentivement le présent guide d'utilisation et d'entretien avant d'utiliser votre nouvelle cuisinière afin de réduire les risques d'incendie, de décharge électrique ou de blessures.

L'installation et l'entretien doivent être correctement effectués. Suivez les instructions d'installation fournies avec le produit. Assurez-vous qu'un électricien qualifié installe et effectue la mise à la terre de la cuisinière.

Demandez à l'installateur de vous montrer où se trouvent le disjoncteur et la vanne d'arrêt de gaz pour savoir où et comment couper l'alimentation électrique et l'approvisionnement en gaz de la cuisinière.

Si le brûleur fuit et que du gaz s'en échappe, ouvrez une fenêtre ou une porte. Ne tentez pas d'utiliser la cuisinière avant que le gaz ait eu le temps de se dissiper. Attendez au moins 5 minutes avant d'utiliser la cuisinière.

Ne réparez et ne remplacez aucune pièce de l'appareil, sauf sous recommandation expresse du présent guide. Toute autre réparation doit être effectuée par un technicien qualifié.

Ne laissez pas d'enfants seuls ou sans surveillance dans une pièce où des appareils fonctionnent. Ils ne devraient jamais pouvoir s'asseoir ou monter sur une partie quelconque de l'appareil. Si des enfants sont autorisés à utiliser la cuisinière, ils doivent être surveillés étroitement.

AVERTISSEMENT :

Ne rangez pas d'objets attirant l'attention d'enfants au-dessus ou derrière la cuisinière. Ils risqueraient d'y monter pour s'en emparer et pourraient se blesser gravement.

N'utilisez jamais la cuisinière ou le four comme espace de rangement. Les matières inflammables pourraient prendre feu et les objets en plastique pourraient fondre ou prendre feu.

N'accrochez rien sur l'appareil et n'appuyez rien contre le four. Certains tissus peuvent facilement s'enflammer.

Si la cuisinière est placée près d'une fenêtre, assurez-vous que les courants d'air ne peuvent pas pousser les rideaux jusqu'au-dessus ou à proximité des brûleurs; ils pourraient s'enflammer.

Assurez-vous qu'il y a un détecteur de fumée fonctionnel près de la cuisine.



INSTRUCTIONS DE SÉCURITÉ IMPORTANTES

LISEZ ET CONSERVEZ CES INSTRUCTIONS

Si vos vêtements ou vos cheveux prennent feu, jetez-vous immédiatement par terre et roulez pour éteindre les flammes.

AVERTISSEMENT :

POUR RÉDUIRE LES RISQUES DE FEU DE FRITURE :

- Ne laissez jamais l'appareil sans surveillance lors de son utilisation à haute température. Les débordements par bouillonnement causent de la fumée et des déversements de graisse qui peuvent prendre feu. Faites chauffer l'huile à des températures basses ou moyennes.
- Allumez toujours la hotte lorsque vous cuisinez à haute température ou que vous faites flamber des aliments (c.-à-d. crêpes Suzette, cerises jubilé, bœuf flambé au poivre).
- Nettoyez fréquemment les ventilateurs. Ne laissez pas la graisse s'accumuler sur les ventilateurs ou les filtres.
- Utilisez des poêlons aux dimensions adéquates. Utilisez toujours une batterie de cuisine correspondant aux dimensions de l'élément ou du brûleur.

Ayez un extincteur approprié à portée de la main, visible et facile d'accès, tout près de l'appareil de cuisson.

Étouffez les flammes provenant d'aliments en feu, autre que les feux de friture, avec du bicarbonate de soude. N'utilisez jamais de l'eau pour éteindre des aliments en feu.

Dans la mesure du possible, ne faites pas fonctionner le système de ventilation lorsqu'il y a un feu sur la surface de cuisson. Cependant, ne tentez pas de l'éteindre en passant votre main dans le feu.

Lorsque les enfants sont assez âgés pour utiliser l'appareil, il est de la responsabilité légale des parents ou des tuteurs de veiller à ce que des personnes qualifiées leur enseignent des pratiques sécuritaires.

Les vêtements, poignées, mitaines ou toute autre matière inflammable ne doivent pas toucher ni être placés à proximité des brûleurs à infrarouge, des brûleurs ou des grilles des brûleurs avant que ceux-ci n'aient eu le temps de refroidir. Les tissus pourraient prendre feu et provoquer des blessures.

N'utilisez que des poignées et mitaines sèches : la vapeur qui se dégage de poignées et de mitaines mouillées ou humides posées sur des surfaces chaudes peut provoquer des blessures. N'utilisez pas de serviettes ni de chiffons volumineux au lieu de poignées et de mitaines. Ne laissez pas de poignées ou de mitaines toucher des grilles de brûleurs, des brûleurs à infrarouge ou des brûleurs chauds.

Pour votre sécurité, lorsque vous utilisez l'appareil, portez des vêtements adéquats et évitez ceux qui sont amples et qui ont des manches tombantes. Certains tissus synthétiques sont hautement inflammables. Vous ne devriez pas en porter lorsque vous cuisinez.

N'enveloppez aucune pièce de la cuisinière ou du four dans du papier d'aluminium. L'utilisation de revêtement en aluminium pourrait causer une décharge électrique ou un incendie, ou encore obstruer la circulation d'air de la combustion et de l'aération. Le papier d'aluminium est un excellent isolateur et il retient la chaleur. Son utilisation aura une incidence sur la cuisson et pourrait endommager le fini du four ou de la cuisinière.

AVERTISSEMENT :

Cet appareil a été conçu pour un usage culinaire. Pour des raisons de sécurité, n'utilisez jamais le four ou la table de cuisson pour chauffer une pièce. Cela pourrait endommager les composantes de la table de cuisson ou du four.

Quand vous utilisez la table de cuisson : **NE TOUCHEZ PAS LES GRILLES DES BRÛLEURS OU LES ZONES ADJACENTES.** Les zones entourant les brûleurs peuvent devenir assez chaudes pour causer des brûlures.

Lorsque vous cuisinez, réglez les brûleurs de façon à ce que la flamme ne chauffe que le fond du récipient sans déborder sur les côtés.

Ne faites pas chauffer de récipients fermés. La pression s'accumulant dans le récipient pourrait le faire éclater et provoquer des blessures.



INSTRUCTIONS DE SÉCURITÉ IMPORTANTES

LISEZ ET CONSERVEZ CES INSTRUCTIONS

AVERTISSEMENT :

POUR RÉDUIRE LES RISQUES DE BLESSURE LORS D'UN FEU DE FRITURE, OBSERVEZ LES CONSIGNES SUIVANTES :

- **ÉTOUFFEZ LES FLAMMES** avec un couvercle, une plaque à biscuits ou un plateau de métal et éteignez ensuite le brûleur ou l'élément. **PRENEZ GARDE AUX RISQUES DE BRÛLURE.** Si les flammes ne disparaissent pas immédiatement, **ÉVACUEZ LES LIEUX ET APPELEZ LE SERVICE D'INCENDIE.**
- **NE PRENEZ JAMAIS UN POÊLON EN FEU** – Vous pourriez vous brûler.
- **N'UTILISEZ PAS D'EAU** ou un linge à vaisselle mouillé – une violente explosion de vapeur s'ensuivra.
- Utilisez un extincteur **SEULEMENT** si :
 - Vous savez que vous possédez un extincteur de classe ABC et vous savez vous en servir.
 - Le feu est faible et ne s'est pas répandu depuis son point d'origine.
 - Vous avez appelé le service d'incendie.
 - Vous pouvez sortir facilement de l'endroit où vous combattez le feu.

Seuls certains types de casseroles en verre, en vitrocéramique résistant à la chaleur, en céramique, en terre cuite ou en céramique vitrifiée peuvent être utilisés sur les brûleurs de la cuisinière. Ce type de récipients peut se casser lors de changements de température brusques. N'utilisez que des réglages de flamme bas ou moyen et respectez les directives du fabricant.

Ne laissez jamais la cuisinière sans surveillance quand vous utilisez une flamme intense. Les débordements produisent de la fumée et des éclaboussures de graisse qui peuvent s'enflammer. Par ailleurs, si la flamme d'un brûleur s'éteint, du gaz s'échappera dans la pièce. Pour en savoir plus sur les fuites de gaz, consultez la *page 1*.

AVERTISSEMENT :

N'utilisez **JAMAIS** cet appareil pour chauffer une pièce. Ceci peut causer un empoisonnement au monoxyde de carbone et surchauffer l'appareil.

AVERTISSEMENT :

Ne recouvrez **JAMAIS** des fentes, des trous ou des parties du fond du four et ne couvrez jamais des grilles entières avec des matières comme du papier d'aluminium. Vous obstruerez la circulation d'air dans le four, ce qui peut causer un empoisonnement au monoxyde de carbone. Un revêtement en papier d'aluminium peut également piéger la chaleur et présenter un risque d'incendie.

AVERTISSEMENT :

Évitez d'utiliser une flamme forte de façon prolongée avec un récipient plus grand que la grille ou couvrant plusieurs brûleurs, comme une plaque. Cela peut nuire à la combustion et produire des émanations dangereuses.

Les grandes casseroles, les plaques à biscuits, etc. ne doivent jamais être utilisées sur la surface de cuisson.

Soyez prudent et assurez-vous que les courants provenant de grilles d'aération ou de ventilateurs ne soufflent pas de matière inflammable vers les flammes ou ne poussent pas les flammes sur les côtés de la casserole ou du poêlon.

Utilisez toujours des casseroles et poêlons à fond plat et suffisamment larges pour couvrir le brûleur. L'utilisation de casseroles trop petites pourrait exposer une partie de la flamme et enflammer des vêtements.

AVERTISSEMENT :

RISQUE DE BASCULEMENT DE LA CUISINIÈRE:

- Toutes les cuisinières peuvent basculer et blesser quelqu'un. Pour éviter un basculement accidentel de la cuisinière, elle doit être fixée au sol, au mur ou à une armoire à l'aide du dispositif anti-bascule fourni.
- L'appareil risque de basculer s'il n'est pas installé conformément à ces instructions.
- En déplaçant la cuisinière pour la nettoyer, la réparer ou pour toute autre raison, assurez-vous qu'elle s'est bien enclenchée dans le dispositif anti-bascule lorsque vous la remettez en place. Autrement, si l'appareil est utilisé de façon anormale (par exemple, si quelqu'un monte, s'assoie ou s'appuie sur une porte ouverte), la cuisinière risque de basculer. Le basculement de la cuisinière ou d'un liquide chaud se trouvant sur la surface de cuisson pourrait causer des blessures corporelles.



INSTRUCTIONS DE SÉCURITÉ IMPORTANTES

LISEZ ET CONSERVEZ CES INSTRUCTIONS

N'utilisez pas de produits nettoyants inflammables pour nettoyer la cuisinière.

Pour réduire les risques de brûlure, d'inflammation de matières inflammables et de renversements accidentels, placez les poignées des récipients vers l'intérieur de la cuisinière pour qu'elles ne dépassent pas sur les surfaces de travail adjacentes, les zones de préparation ou le bord de la table de cuisson de la cuisinière.

Tenez la poignée du récipient pour l'empêcher de bouger quand vous remuez des aliments.

N'utilisez pas le plateau de la plaque chauffante pour faire cuire des viandes très grasses ou des produits qui s'enflamment facilement.

Avant d'utiliser la plaque chauffante ou les brûleurs à proximité, enlevez la planche à découper optionnelle ou l'accessoire de recouvrement de la plaque.

LA GRAISSE EST INFLAMMABLE. Laissez la graisse chaude refroidir avant d'essayer de la manipuler. Évitez de laisser de la graisse s'accumuler. Nettoyez après chaque utilisation.

Nettoyez la cuisinière avec soin. Faites attention de ne pas vous brûler avec la vapeur : n'utilisez pas d'éponge ou de chiffon mouillé pour nettoyer la cuisinière quand elle est chaude. Certains produits nettoyants dégagent des vapeurs toxiques s'ils sont appliqués sur une surface chaude. Suivez les indications fournies par le fabricant du produit nettoyant.

Pour que les brûleurs s'allument et fonctionnent correctement, les orifices d'allumage doivent être gardés propres. Il faut les nettoyer après un débordement ou lorsque le brûleur ne s'allume pas même si le système d'allumage électronique s'actionne.

Assurez-vous que tous les boutons de la table de cuisson sont hors circuit et que la table de cuisson est froide avant d'utiliser un produit nettoyant en aérosol sur celle-ci ou à proximité de celle-ci. Certains produits chimiques vaporisés peuvent, en présence de chaleur, prendre feu ou corroder les pièces métalliques.

AVERTISSEMENT :

Pour éviter tout risque de brûlure ou d'incendie, un dossier de protection conçu spécialement pour cette cuisinière doit être installé avant son utilisation.

Quand vous utilisez le four, ne touchez pas aux brûleurs à infrarouge, aux surfaces internes du four ou à la zone externe entourant la porte. Les surfaces internes du four chauffent suffisamment pour causer des brûlures. Le déflecteur de chaleur, qui évacue la chaleur de la table de cuisson et de la garniture sur le dessus et les côtés de la porte du four, sera également chaud pendant l'utilisation du four.

Placez les grilles du four à la position voulue pendant que le four est froid. Si vous devez déplacer une grille quand le four est chaud, ne laissez pas les ustensiles entrer en contact avec le brûleur à infrarouge.

Faites preuve de prudence lorsque vous ouvrez la porte du four. Laissez l'air chaud et la vapeur s'échapper avant d'introduire ou de retirer des aliments.

Avant de procéder à l'autonettoyage du four, enlevez la lèchefrite, les grilles du four, tout autre ustensile et les accumulations de saletés.

Vous ne devez pas nettoyer, frotter, endommager, déplacer ni retirer le joint de la porte. Il est essentiel pour assurer une bonne étanchéité pendant la cuisson ou l'autonettoyage du four. Si le joint est usé ou très sale, remplacez-le pour assurer une bonne étanchéité.

Pour des raisons de sécurité et pour ne pas endommager l'appareil, ne vous asseyez pas, ne montez pas et ne vous appuyez pas sur la porte du four.

Toutes les réparations doivent être effectuées par des techniciens agréés, qui devront débrancher l'alimentation électrique de l'appareil avant de le réparer.

Pour éviter tout risque d'incendie, nettoyez fréquemment la hotte et les filtres afin d'empêcher les accumulations de graisse.

AVERTISSEMENT :


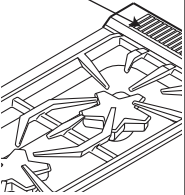
Après un renversement ou une éclaboussure, éteignez le brûleur et nettoyez le pourtour et les orifices. Assurez-vous du bon fonctionnement de l'appareil après le nettoyage.



INSTRUCTIONS DE SÉCURITÉ IMPORTANTES

LISEZ ET CONSERVEZ CES INSTRUCTIONS

N'OBSTRUEZ PAS la circulation d'air de combustion ou d'aération.

MISE EN GARDE :	
 <p>Ouverture d'aération de la garniture périphérique affleurante</p>	<p>NE bloquez et n'obstruez PAS les prises d'air de ventilation. L'ouverture d'aération du four est située à l'arrière de l'appareil. Les ouvertures d'aération ne doivent pas être obstruées. Elles doivent être ouvertes pour permettre la circulation d'air nécessaire au fonctionnement adéquat du four.</p>
 <p>Ouverture d'aération du dossier bas</p>	<p>NE touchez PAS la zone entourant le trou d'aération du four lorsque l'appareil fonctionne, et ce, plusieurs minutes après la fin de son utilisation. Certaines pièces de l'ouverture d'aération et de la zone l'entourant deviennent assez chaudes pour causer des brûlures. Laissez suffisamment de temps à l'appareil pour qu'il refroidisse avant de toucher ou de nettoyer l'ouverture d'aération et la zone l'entourant.</p>
	<p>NE mettez PAS du plastique ou d'autres articles sensibles à la chaleur sur l'ouverture d'aération du four ou à proximité. Ces articles pourraient fondre ou s'enflammer.</p>

Assurez-vous de bien entendre la soufflerie de refroidissement lorsque le four est réglé aux modes BROIL ou BAKE, et qu'il atteint une température de 300°F (149°C) (consultez la section « *Fonctionnement automatique de la soufflerie de refroidissement :* » à la page 28 »). Si le ventilateur ne fonctionne pas, n'utilisez pas le four. Appelez un centre autorisé pour obtenir du service.

En cas d'incendie ou si vous faites flamber intentionnellement de l'alcool sur la table de cuisson, suivez les instructions du fabricant. Faites preuve de prudence lorsque vous cuisinez avec de l'alcool (ex. : rhum, brandy, bourbon) dans le four. L'alcool s'évapore à haute température. Les vapeurs d'alcool peuvent s'enflammer dans le four et présenter un risque de brûlure. Utilisez seulement une petite quantité d'alcool avec les aliments et faites attention lorsque vous ouvrez la porte du four.

Ne rangez pas ou n'utilisez pas de produits chimiques, corrosifs, inflammables, non alimentaires près de cet appareil ou dans cet appareil, lequel est spécifiquement conçu pour réchauffer ou faire cuire des aliments. L'utilisation de produits chimiques corrosifs pendant le réchauffage ou la cuisson peut endommager l'appareil et causer des blessures.

AVERTISSEMENT :

Avertissements de la Proposition 65 de l'État de la Californie :

Ce produit contient des produits chimiques connus de l'État de la Californie pour causer le cancer, des anomalies congénitales ou d'autres problèmes de reproduction.

Avant de commencer

Avant d'utiliser la cuisinière pour la première fois, assurez-vous d'avoir ces articles:

Tableau 1: Accessoires et pièces de cuisinière

DESCRIPTION	30 PO AVEC 4 BRÛLEURS	36 PO AVEC PLAQUE DE 12 PO	36 PO AVEC 6 BRÛLEURS	48 PO AVEC PLAQUE DE 12 PO
Grilles de four Full Access ^{mc} , four principal	1	3	3	3
Grilles de four Full Access, four secondaire	—	—	—	2
Grille Plate, four principal	2	—	—	—
Lèchefrite deux pièces*	1	1	1	2
Chapeaux de brûleurs STAR ^{mc}	4	4	6	6
Grilles de brûleurs	2	2	3	3
Grilles de brûleurs centrale	1	—	—	—
Boutons de commande	5	6	7	9
Plaque chauffante en aluminium avec revêtement en titane	—	1	—	1
Garniture d'îlot**	—	1	1	1
Carte d'enregistrement du produit	1	1	1	1
Plaque de protection	1	1	1	1
Instructions d'installation	1	1	1	1
Guide d'utilisation et d'entretien	1	1	1	1

*Tous les modèles sont vendus avec une lèchefrite de deux pièces en porcelaine pour le four. Les modèles de 48 pouces sont également vendus avec une petite lèchefrite de deux pièces pour le four secondaire.

** Tous les modèles sont vendus avec une garniture d'îlot. Toutefois, consultez l'avertissement concernant l'espace derrière la cuisinière lors de l'utilisation de la cuisinière avec cet accessoire.



Enlevez tout le matériel d'emballage et les étiquettes temporaires du four et de la table de cuisson. Veuillez recycler le matériel d'emballage, car tout ce que THERMADOR^{mc} utilise pour emballer ses appareils est recyclable.

1. Assurez-vous que vous avez tous les éléments énumérés au Tableau 1.
2. **Notez les numéros de modèle et de série à la page 38.** Consultez les renseignements apparaissant sur la plaque de la fiche signalétique. La plaque de la fiche signalétique se trouve à la droite de l'appareil, entre la cavité du four et le panneau latéral. Vous pouvez utiliser ces renseignements lors de toutes vos futures communications avec le service à la clientèle. Inscrivez-les également sur la carte d'enregistrement du produit fournie avec l'appareil et envoyez cette dernière à l'adresse indiquée.

3. **Accessoires optionnels** : Plaque de grill (PA12GRILHC), planche à hacher de 12 po (PA12CHPBLK), couvercle de plaque chauffante (PA12CVRJ), anneau de support du wok (PWOKRINGHC), et autres accessoires sont disponibles chez votre concessionnaire THERMADOR^{mc}.
4. **Placez correctement les grilles dans le four.** La position adéquate des grilles dépend de la recette et du mode de cuisson. **Les positions des grilles dans le four sont numérotées de bas en haut, comme un ascenseur.** La position no 3 est la position la plus fréquemment utilisée. Introduisez la ou les grilles à la position voulue avant d'allumer le four.

Comment placer la grille dans le four :

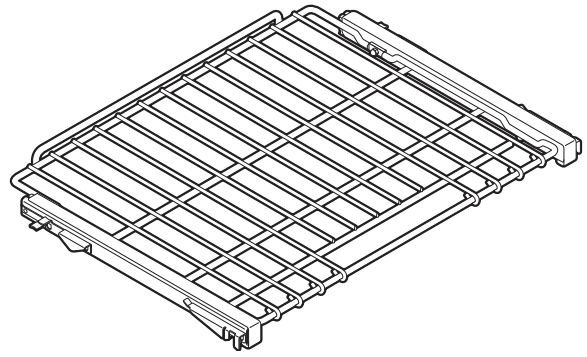


Figure 2 : Grille coulissante

Vous pouvez tirer et pousser les grilles dans le four avec un effort minimale – même lorsqu'elles soutiennent une grosse dinde ou un rôti lourd.

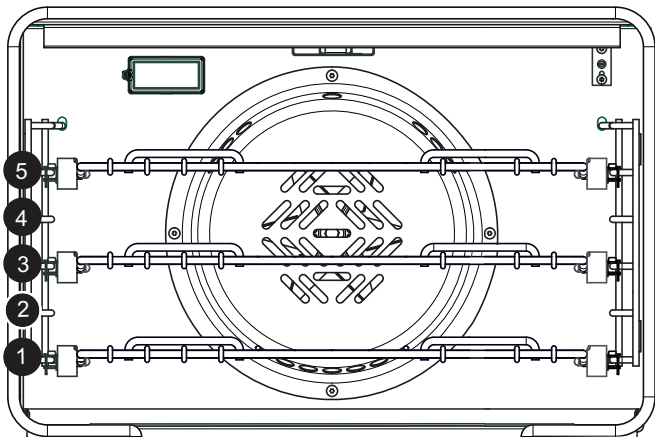


Figure 1 : Positions des grilles dans le grand four



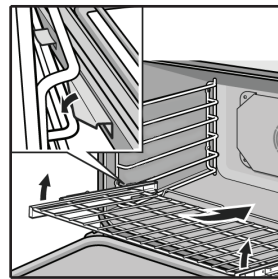
AVERTISSEMENT:

Pour prévenir les risques de brûlure, n'enlevez ou ne déplacez JAMAIS les grilles lorsque le four est en marche ou lorsqu'il refroidit.

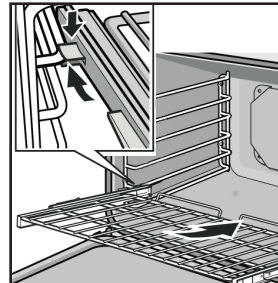


ATTENTION:

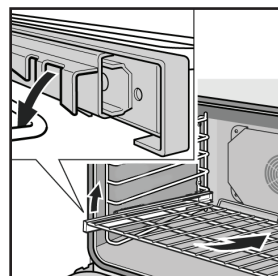
N'utilisez jamais de papier d'aluminium pour recouvrir les grilles du four ou chemiser le four. N'enlevez pas l'élément du grilloir du four électrique. L'utilisation inadéquate de papier d'aluminium peut endommager le four.



1. Tenez la grille dans un angle légèrement ouvert. Placez les crochets sous la partie avant des fentes des glissières.



2. Poussez la grille dans le four en la soulevant par-dessus les butées de sûreté situées à l'avant des glissières.
3. Tenez la grille bien droite.
4. Poussez la grille jusqu'à ce qu'elle arrive au même niveau que les crochets avant.



5. Soulevez la grille.
6. Poussez la grille jusqu'au fond.
7. Engagez les crochets avant de la grille dans les glissières.

IMPORTANT :

Lorsque vous installez la grille coulissante dans le four, assurez-vous que les supports frontaux des glissières de la grille reposent dans les larges fentes des coins avant de la grille. Cela est nécessaire pour que la grille demeure dans la bonne position lorsqu'elles se trouvent totalement à l'intérieur du four.

Figure 3 : Installation de la grille du four

Mise en place de la grille :

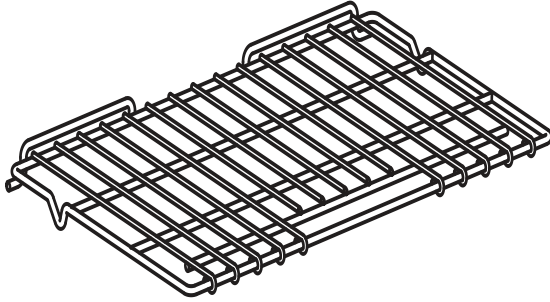
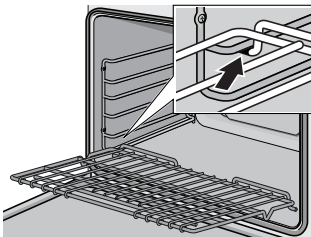


Figure 4 : Grille plate

La grille est conçue avec une butée afin qu'elle ne sorte pas complètement du four et ne s'incline pas.



1. Saisir fermement la grille par les côtés.
 2. Installer la grille (voir illustration).
 3. Incliner la grille vers le haut pour mettre la butée dans le guide.
 4. Amener la grille en position horizontale et pousser jusqu'au fond. La grille doit être droite, à plat et ne doit pas dévier.
-

Figure 5 : Mise en place de la grille plate dans le four

Retrait de la grille plate du four :

Saisir fermement la grille par les côtés et tirer vers soi. Lorsque la butée est atteinte, incliner vers le haut et tirer complètement vers soi.

5. **Assurez-vous que les chapeaux des brûleurs STAR^{mc} sont bien posés sur leurs bases sur la table de cuisson** (Figure 15 et Figure 16 à la page 15). Allumez chaque brûleur pour vous assurer que la flamme est d'une couleur adéquate. Consultez la section « *Description de la flamme* » à la page 16 » pour plus de détails.
6. **Avant de faire cuire au four ou de rôtir**, vous devriez allumer le four et l'élément de voûte pour brûler les huiles utilisées lors de la fabrication à l'aide de l'une des méthodes suivantes :
 - Allumez le système de ventilation de la cuisine (ou une fenêtre si votre hotte est munie d'un système de recirculation d'air). Allumez le four à 450 °F (230 °C) pendant 20 à 30 minutes. Réglez ensuite le four à BROIL pour la même période. Veuillez noter qu'il est normal qu'un peu de fumée sorte de la cuisinière lors de ce processus initial.

Les cuisinières PROFESSIONAL^{mc} de THERMADOR dégagent parfois une odeur particulière ou de la fumée lors de la première utilisation. Ces odeurs ou cette fumée proviennent des résidus de fabrication qui brûlent, ce qui est caractéristique de toute nouvelle cuisinière, indépendamment du fabricant.

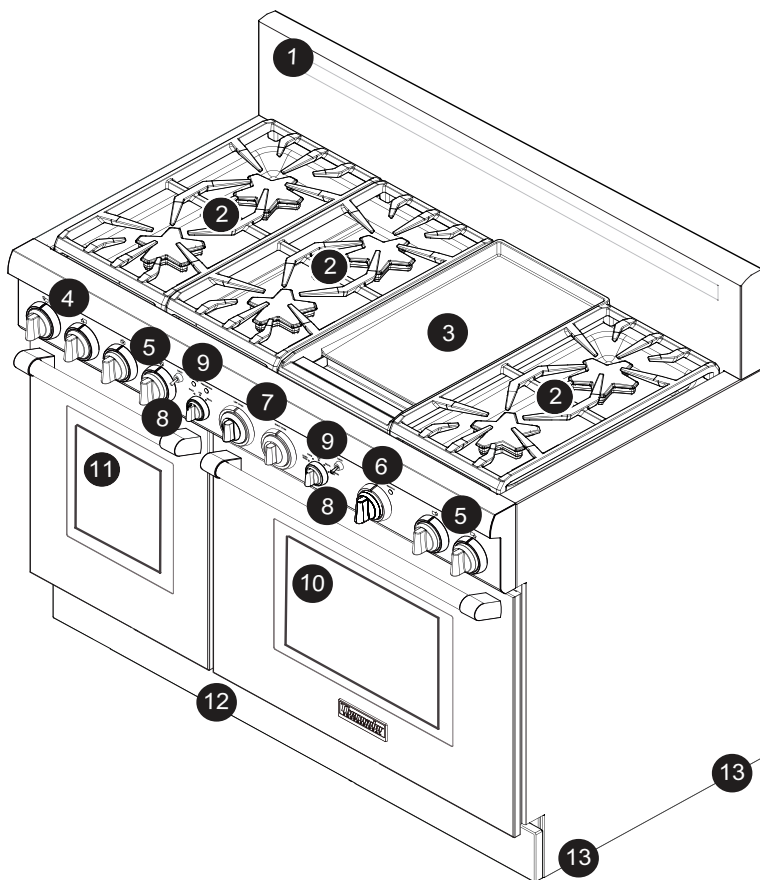
Veillez lire la section **“Entretien et nettoyage”** à la **page 32** avant de nettoyer les grilles du four.

Remarque :

Il est normal durant le processus de refroidissement que le four dégage de l'air chaud dans la pièce où il se trouve

Description

Identification du modèle et des pièces



Légende du modèle 48 po

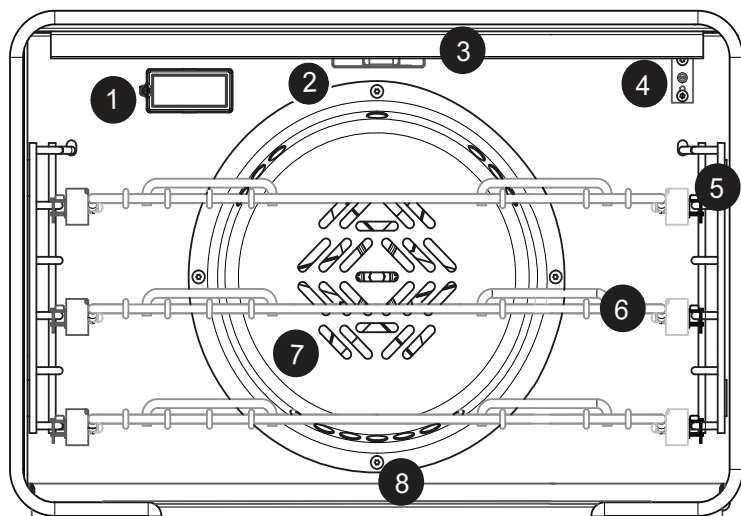
1. Étagère à casseroles et poêlons de 22 po, plaque de protection basse de 6 po ou garniture d'îlot de 3 po (dosseret commandé séparément)
2. Grilles de brûleurs et brûleurs
3. Plaque de cuisson
4. Bouton de commande, brûleurs ExtraLow® (2)
5. Boutons de commande et brûleurs standards (4)
6. Boutons de commande, plaque de cuisson (1)
7. Sélecteurs de température; fours principal et secondaire (2)
8. Sélecteurs (2)
9. Interrupteurs des lumières des fours (2)
10. Porte du four
11. Four auxiliaire de 30,5 cm (12 po) (2 grilles incluses)
12. Plaque d'habillage
13. Pieds de cuisinière (4)



AVERTISSEMENT :

Pour assurer une bonne ventilation de la cuisinière, n'enlevez PAS les pieds.

Figure 6 : Identification des pièces de la cuisinière à gaz de 48 po

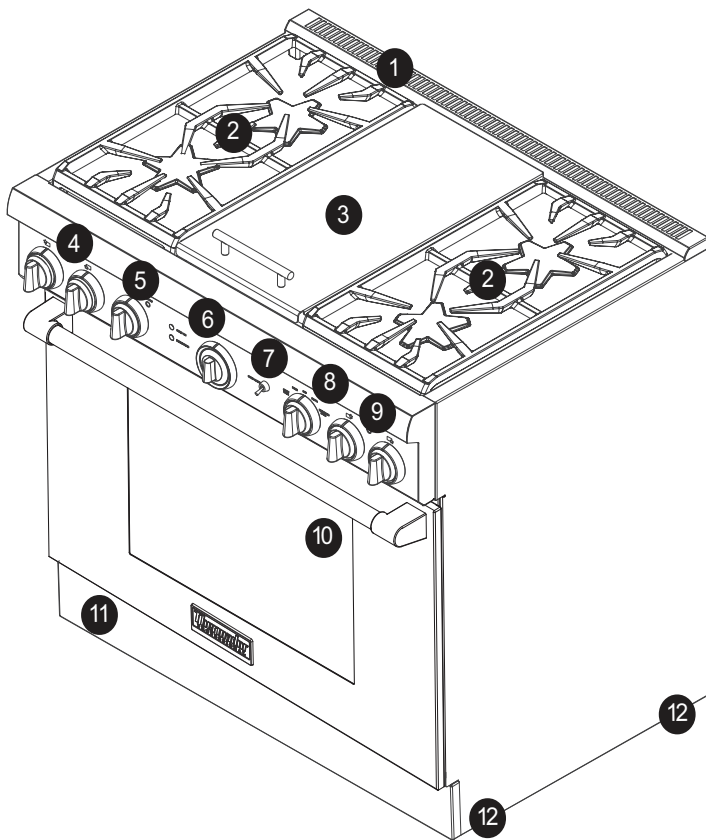


Intérieur du four à gaz

1. Éclairage
2. Allumeur de gril
3. Élément du grilloir
4. Capteur thermostat du four
5. Guides de grilles
6. Grilles coulissantes (3)
7. Couvercle du ventilateur à convection
8. Brûleur de cuisson dissimulé

Figure 7 : Intérieur du four à gaz

Légende du modèle 36 po



1. Garniture d'îlot (inclus), étagère haute ou dossieret bas (commandés séparément)
2. Grilles de brûleurs et brûleurs
3. Plaque chauffante, sur certains modèles (le couvercle de plaque, vendu séparément, apparaît sur l'illustration)
4. Bouton de commande, brûleurs ExtraLow® (2)
5. Commande de la plaque chauffante, sur certains modèles
6. Sélecteur de température du four
7. Interrupteur des lumière des four
8. Sélecteur de mode du four
9. Boutons de commande et brûleurs standards (2 ou 4, selon le modèle)
10. Porte du four
11. Plaque d'habillage
12. Pieds de cuisinière (4)

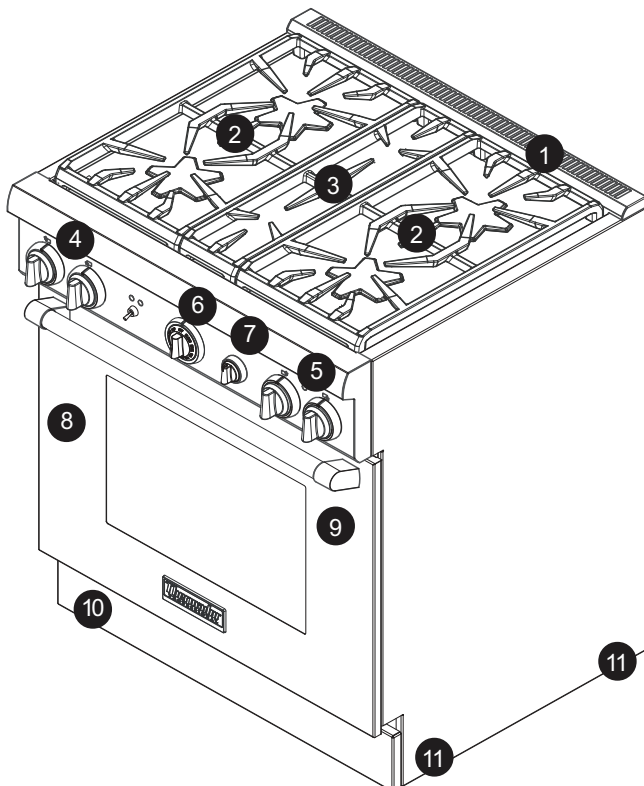


AVERTISSEMENT :

Pour assurer une bonne ventilation de la cuisinière, n'enlevez PAS les pieds.

Figure 8 : Identification des pièces de la cuisinière à gaz de 36 po

Légende du modèle 30 po



1. Garniture d'îlot (inclus), étagère haute ou dossieret bas (commandés séparément)
2. Grilles de brûleurs et brûleurs
3. Grille centrale
4. Boutons de commande, brûleurs ExtraLow (2)
5. Boutons de commande, brûleurs standards (2)
6. Sélecteur de température du four
7. Sélecteur de mode du four
8. Interrupteur des lumière des four
9. Porte du four
10. Plaque d'habillage
11. Pieds de cuisinière (4)



AVERTISSEMENT :

Pour assurer une bonne ventilation de la cuisinière, n'enlevez PAS les pieds.

Figure 9 : Identification des pièces de la cuisinière à gaz de 30 po

Utilisation de la cuisinière

Brûleurs scellés

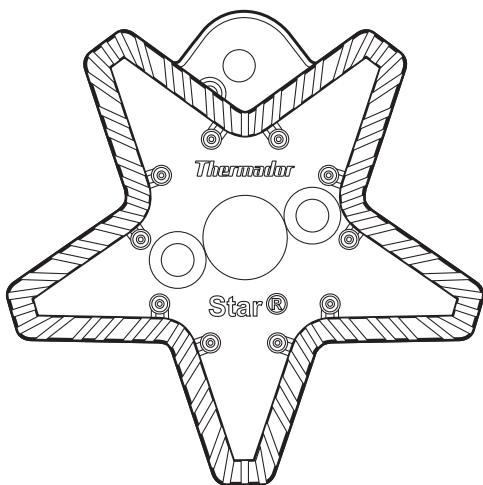


Figure 10 : Base de brûleur STAR en laiton

La table de cuisson comporte quatre ou six brûleurs à gaz; chacun d'eux a une puissance de 18 000 BTU/h (15 000 BTU/h avec gaz propane).

Chaque brûleur est muni d'un dispositif QuickClean^{mc} unique qui facilite le nettoyage du brûleur et de la zone qui lui est adjacente.

Pour tous les modèles, les deux brûleurs STAR de gauche et de droite sont dotés de la fonction exclusive ExtraLow^{mc}, alors que les autres brûleurs sont standards. À chacun des brûleurs correspond un bouton de commande.

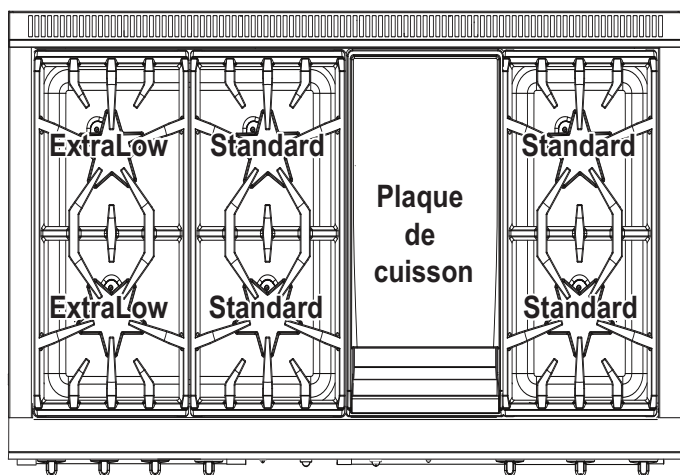


Figure 11 : Fonctions du brûleur

Boutons de commande

Les boutons de commande des deux brûleurs avant et arrière, hermétiquement encastrés, sont placés sur le panneau de commandes de la partie frontale de la cuisinière.

Le symbole au-dessus de chaque bouton identifie soit la position du brûleur sur la surface de cuisson ou le contrôle de la grille, selon le modèle.

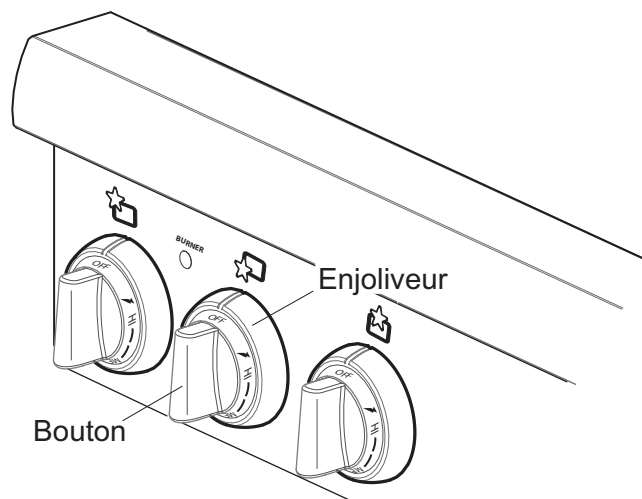


Figure 12 : Bouton de commande standard d'un brûleur

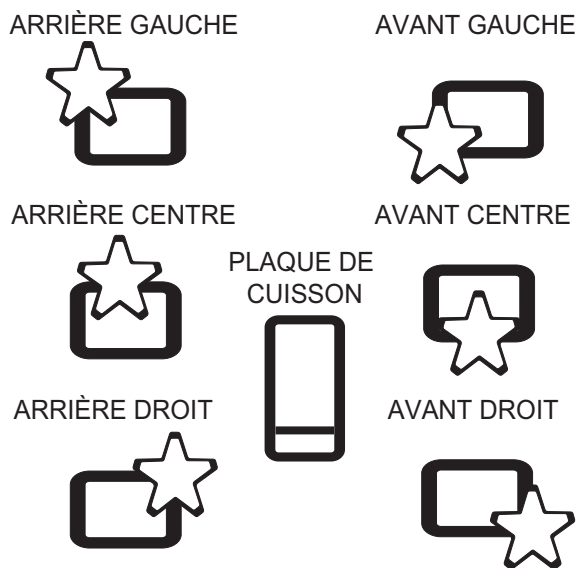


Figure 13 : Symboles de la table de cuisson

Fonctionnement des brûleurs

- Poussez sur le bouton et tournez-le dans le sens antihoraire jusqu'au réglage HI. L'allumeur du brûleur sélectionné émet des étincelles pour allumer le brûleur.
- Une fois le brûleur allumé, l'allumeur cesse d'émettre des étincelles.
- Tournez le bouton à n'importe quel réglage entre HI et SIM.
- Un témoin lumineux bleu se trouve directement au-dessus de chaque bouton de commande de brûleur. Le témoin s'allume si le bouton de commande est tourné à un mode actif et s'éteint lorsqu'il est à la position OFF.

BTU des brûleurs standards

- HI équivaut à 18 000 BTU/h (15 000 BTU/h avec propane).
- SIM équivaut à 2100 BTU/h.

Puissance de sortie BTU des brûleurs ExtraLow^{mc}

- HI est équivalent à 18 000 BTU/h (15 000 BTU/h avec gaz propane).
- SIM est équivalent à 3 000 BTU/h.
- XLO est équivalent à 370 BTU/h.

Brûleurs ExtraLow^{mc}

Les contrôles pour les deux brûleurs de gauche, avant et arrière, ont les mêmes réglages que les réglages standards **SIM**.

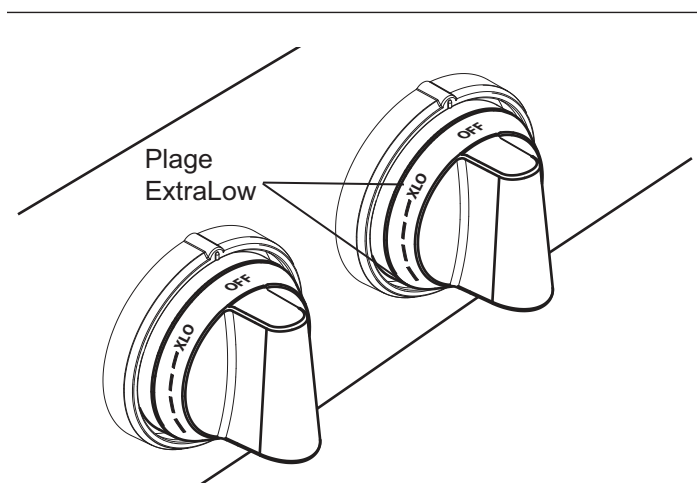


Figure 14 : Bouton de contrôle de brûleur ExtraLow

Le dessin montre la gamme supplémentaire de réglage du bouton entre les repères **SIM** et **XLO**. Lorsque le bouton est placé sur cette gamme, la flamme s'allume et s'éteint. La modification des durées pendant lesquelles la flamme reste allumée/éteinte permet de réduire davantage la quantité de chaleur et de cuire des aliments délicats. Le réglage très bas est utile pour faire mijoter, pocher, fondre du chocolat et du beurre, maintenir la température des plats préparés sans qu'ils roussissent ou brûlent, etc.

Fonctionnement du brûleur ExtraLow^{mc}

- **XLO**, le réglage le plus bas, fonctionne par cycles d'une minute avec alternance de flamme allumée pendant environ 8 secondes suivies d'environ 52 secondes de flamme éteinte.
- Lorsque le bouton est réglé juste en dessous du repère **SIM**, la flamme reste allumée pendant environ 52 secondes et s'éteint pendant environ 8 secondes.
- Pour adapter le degré de chaleur aux aliments et à leur quantité, il est possible de régler le bouton sur n'importe quelle position dans l'intervalle entre **SIM** et **XLO** indiquée sur le bouton.
- Pour faire varier la faible chaleur requise en fonction de l'aliment et de la quantité, vous pouvez régler la commande à n'importe quel point entre **SIM** et **XLO** sur le bouton.

Techniques ExtraLow^{mc}

- Le type et la quantité d'aliments déterminent le réglage à utiliser.
- Le réglage est également déterminé par le type de récipient choisi. Ses dimensions, sa forme, le matériau et l'utilisation ou non d'un couvercle sont des facteurs qui influent sur l'homogénéité de la température de cuisson.
- Pour maintenir une chaleur basse ou pour faire mijoter, portez les aliments à ébullition. Remuez bien, couvrez le récipient, puis baissez le réglage en plaçant le bouton juste en dessous de **SIM**.
- Vérifiez régulièrement s'il est nécessaire de modifier le réglage.
- Si vous utilisez un récipient surdimensionné, vos aliments mijoteront principalement au centre de celui-ci. Pour homogénéiser la température de l'ensemble, remuez pour ramener les aliments se trouvant sur les bords vers le centre.
- Quand un plat mijote, il est normal de le brasser de temps à autre, surtout s'il doit mijoter pendant plusieurs heures, comme dans le cas de haricots ou d'une sauce à spaghetti maison.
- Quand vous baissez le réglage de la flamme, faites-le par petites étapes.
- Si le réglage est trop bas pour faire mijoter, portez de nouveau à ébullition avant de ramener le bouton sur un réglage plus fort.
- Il est normal de ne pas voir de bulles à la surface après avoir remué les aliments.
- Il peut y avoir des bulles quand la flamme est allumée, qui disparaissent quand elle est éteinte. Même quand elle est éteinte, de la vapeur et un léger frémissement seront perceptibles à la surface du liquide.

Vérification de la position des chapeaux des brûleurs.

- Vérifiez chaque brûleur pour vous assurer qu'il n'y a pas d'espace entre le chapeau et la base du brûleur. Voir les *Figure 15* et *Figure 16* pour des exemples de chapeau de brûleur correctement ou incorrectement placés.
- Vous pouvez essayer de déplacer délicatement les chapeaux des brûleurs latéralement pour vous assurer qu'ils sont placés correctement sur leur base. Lorsqu'ils sont bien placés, les chapeaux des brûleurs sont droits sur la base et couvrent complètement la base du brûleur en forme d'étoile lorsque vous les regardez d'en haut, comme sur la *Figure 15*.

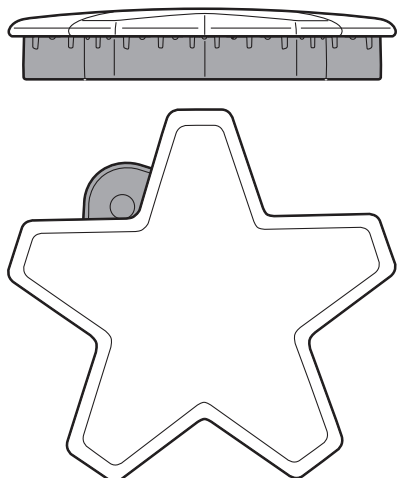


Figure 15 : Chapeau de brûleur correctement placé

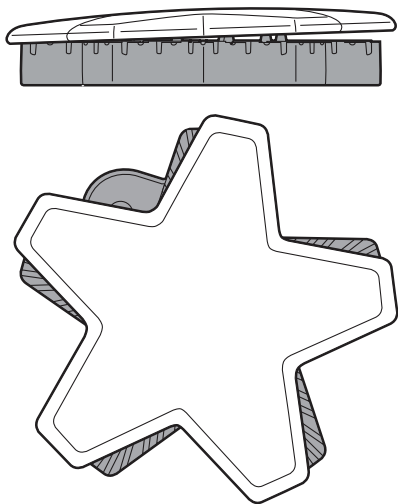


Figure 16 : Chapeau de brûleur incorrectement placé

Positionnement des chapeaux des brûleurs

Pour assurer un fonctionnement approprié, les chapeaux des brûleurs STAR doivent être placés adéquatement sur leur base. Si le chapeau n'est pas placé adéquatement, l'un ou l'autre des problèmes suivants pourrait survenir :

- Les flammes du brûleur sont trop hautes.
- Des flammes excessives jaillissent du brûleur.
- Le brûleur ne s'allume pas.
- Les flammes du brûleur sont inégales.
- Le brûleur émet des odeurs.



AVERTISSEMENT :

Pour prévenir toute brûlure, éviter de toucher les chapeaux et les grilles des brûleurs lorsqu'ils sont chauds. Éteignez la table de cuisson et laissez les brûleurs refroidir.

Allumage électronique unique

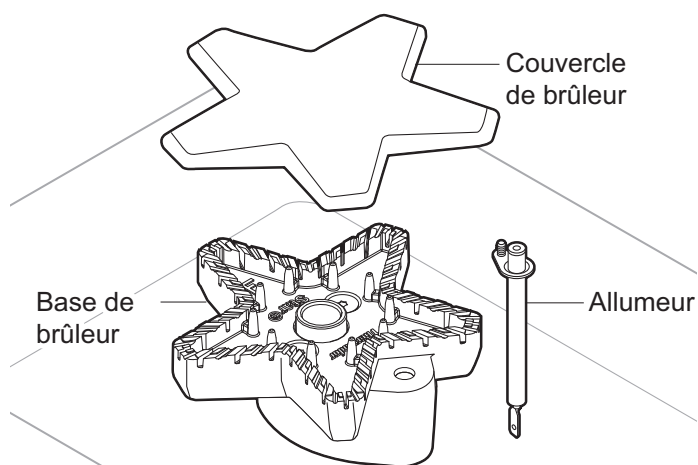


Figure 17 : Éléments des brûleurs STAR

Chaque brûleur STAR comporte son propre allumeur électronique qui produit des étincelles lorsque le bouton est activé. Les brûleurs doivent s'allumer en 4 secondes ou moins. Si le brûleur ne s'allume pas, assurez-vous que le chapeau est correctement posé sur sa base (voir les *Figure 15*).



ATTENTION :

Ne touchez pas les brûleurs pendant que les allumeurs produisent des étincelles.



AVERTISSEMENT :

Pour éviter que des produits ne s'enflamment ou créent des vapeurs nocives, n'utilisez pas la surface de cuisson si les chapeaux et les grilles des brûleurs ne sont pas tous placés.

Si un brûleur ne s'allume pas, consultez la section « *Avant d'appeler le service technique* ».

Rallumage automatique

Si un ou plusieurs brûleurs s'éteignent, l'allumeur électronique produit automatiquement des étincelles pour rallumer la flamme. Ne touchez pas aux brûleurs pendant que les allumeurs produisent des étincelles.

Sur les cuisinières alimentées par du gaz propane, il est possible que vous entendiez un petit bruit sec au niveau des orifices du brûleur STAR quelques secondes après l'avoir éteint.

Panne de courant

- En cas de panne de courant, seuls les brûleurs standards peuvent être allumés manuellement. Chacun d'eux doit être allumé individuellement.
- Si une panne de courant survient pendant que vous utilisez la cuisinière, tournez tous les boutons à la position OFF.
- Vous pouvez allumer les brûleurs STAR^{mc} standards en approchant une allumette enflammée près des orifices et en tournant le bouton à la position HI. Attendez que la flamme soit allumée tout autour du chapeau du brûleur avant de la régler à la hauteur voulue.
- N'essayez pas d'allumer les deux brûleurs XLO^{mc} de gauche et les deux brûleurs XLO de droite pendant une panne de courant. Ces brûleurs sont munis de la fonction ExtraLow^{mc} et ne peuvent être allumés manuellement.
- Si un brûleur ExtraLow est allumé pendant une panne de courant, il ne peut être remis en circuit tant que le bouton n'est pas réglé à la position OFF.
- La plaque chauffante et le gril ne peuvent être utilisés pendant une panne de courant.
- Si vous détectez une odeur de gaz, consultez les instructions de sécurité de la *page 1*.



AVERTISSEMENT :

En cas de panne de courant, mettez tous les boutons à la position OFF. Seuls les brûleurs standards STAR peuvent être allumés manuellement.

Hauteur de la flamme

- La hauteur correcte de la flamme dépend : (1) de la taille et du matériau du récipient utilisé; (2) des aliments à cuire; et (3) de la quantité de liquide dans le récipient.
- La flamme ne doit pas dépasser les côtés de la base du récipient.
- Utilisez une flamme basse ou moyenne pour les récipients dont le matériau conduit lentement la chaleur, comme l'acier émaillé ou la vitrocéramique.

Description de la flamme

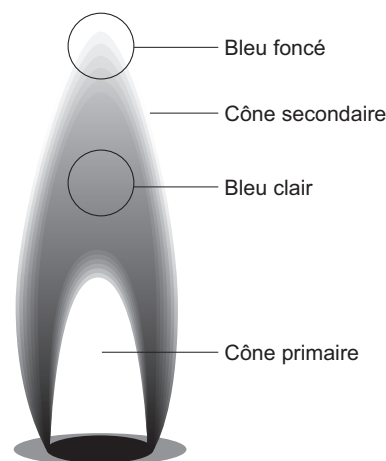


Figure 18 : Couleurs de la flamme

- La flamme des brûleurs doit être bleue sans pointe jaune. Elle devient parfois partiellement orange : cela indique que des impuretés flottant dans l'air sont en train de se consumer. Elles disparaîtront avec l'usage.
- Avec le gaz propane, il est normal qu'il y ait un peu de jaune dans le cône primaire.
- La flamme doit brûler tout autour du chapeau du brûleur. Si ce n'est pas le cas, assurez-vous que le chapeau est bien posé sur la base et que les orifices ne sont pas bouchés.
- La flamme doit être stable, ne pas voltiger ni faire de bruit excessif.

Récipients recommandés



MISE EN GARDE :

Pour éviter tout risque de dommages sérieux à l'appareil ou à un récipient, observez les consignes suivantes:

- Les grands récipients, les plaques à biscuits, etc. ne doivent pas être utilisés sur la surface de cuisson.
- Placez les grandes casseroles de façon décalée lorsque vous utilisez la surface de cuisson.

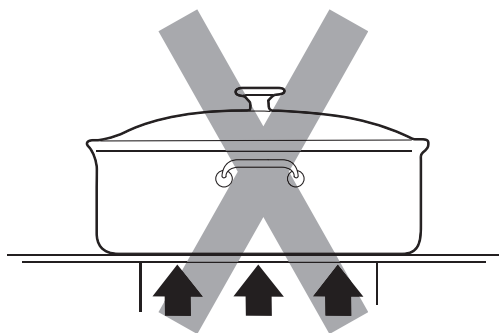


Figure 19 : Diamètre de la base

- Choisissez une casserole dont la base correspond au diamètre de la flamme. La flamme doit être égale ou légèrement plus petite que la base du récipient. Des récipients surdimensionnés ou sous-dimensionnés nuisent aux résultats de la cuisson. Une base d'un diamètre de 5½ po (14 cm) est généralement la plus petite taille conseillée.
- Évitez d'utiliser un réglage de flamme intense lors de l'utilisation d'un poêlon plus grand que la grille ou qui occupe plus que l'espace d'un seul brûleur, comme une plaque, pour de longues périodes. Cela peut générer une mauvaise combustion et des vapeurs nocives.



Figure 20 : Récipient stable

- L'assise du récipient est un facteur important de stabilité et d'uniformité de la cuisson. La poignée ne doit pas être plus lourde que le récipient, car celui-ci pourrait pencher sur un côté. Le récipient doit reposer bien à plat sur la grille sans se balancer ni être instable.

- Les aliments enveloppés dans du papier aluminium ne doivent pas être placés directement sur la grille du brûleur, car l'aluminium peut fondre pendant la cuisson.
- Ne laissez pas du plastique, du papier ou du tissu entrer en contact avec une grille de brûleur chaude. Ils pourraient fondre ou s'enflammer.
- Ne laissez jamais une casserole cuire à sec. Vous pourriez endommager la casserole et la surface de cuisson.
- Des récipients de qualité professionnelle à poignée métallique sont recommandés, car les poignées en plastique risquent de fondre ou de se déformer si la flamme déborde du récipient. Des récipients de qualité professionnelle sont en vente dans les magasins de fournitures pour restaurant et dans les boutiques gastronomiques. Tous les récipients utilisés doivent posséder les caractéristiques suivantes : bonne conductivité de la chaleur, bonne assise, dimensions adéquates du diamètre de la base, base lourde et fond plat, et couvercle bien adapté.
- Pour de meilleurs résultats de cuisson, la flamme ne doit pas déborder du fond de la casserole.
- L'aluminium et le cuivre sont des matériaux qui conduisent la chaleur rapidement et uniformément. Le fond des récipients est souvent fabriqué avec ces métaux. Ils peuvent également être insérés entre des couches d'acier inoxydable.

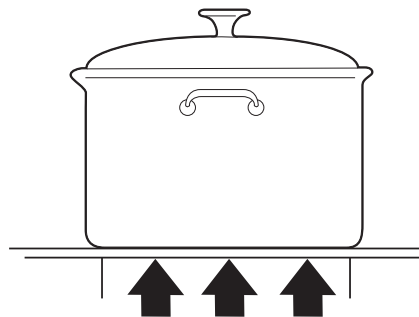


Figure 21 : Récipient à fond plat

- Un fond plat et lourd est plus stable lorsque chauffé. Les casseroles déformées, légères et bosselées ne permettent pas une cuisson uniforme. Chauffez et refroidissez les casseroles graduellement pour éviter les changements soudains de température, qui peuvent déformer les casseroles. Ne mettez pas d'eau froide dans une casserole chaude.

- Un couvercle adapté au diamètre d'un récipient raccourcit le temps de cuisson et permet l'utilisation de réglages plus bas.

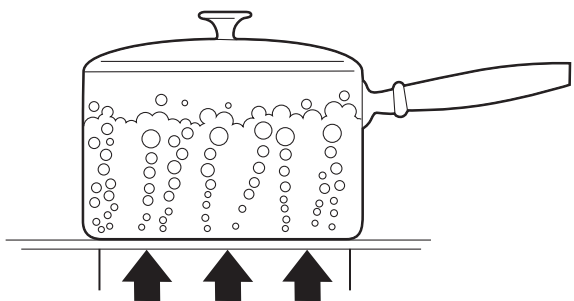


Figure 22 : Récipient à fond plat

Récipients pour spécialités

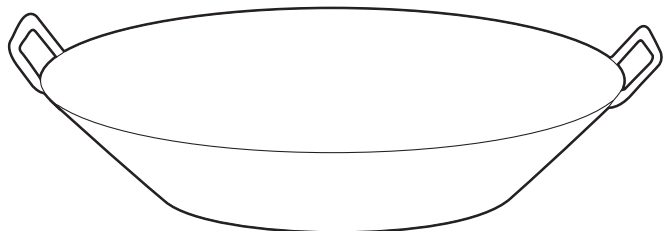


Figure 23 : Wok à fond plat

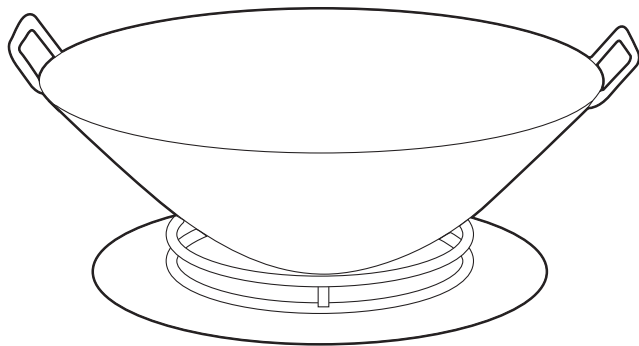


Figure 24 : Wok à fond rond dans un anneau de support

Woks — Les woks à fond plat ou rond avec un anneau de support peuvent être utilisés sur tous les modèles. Un anneau de support doit être utilisé avec les woks à fond rond. Le wok et l'anneau à wok en fonte revêtu d'une couche de porcelaine sont vendus séparément (PWOKRINGHC).

Cocottes et marmites — choisissez une base dont le diamètre dépasse au maximum de 2 po (51 mm) de la grille.

Bain-marie de dimensions standards — 21 à 22 pintes (19,95 à 20,9 litres) avec une base de 11-12 po (279 à 305 mm) et une hauteur de 9 à 11 po (229 à 279 mm).

Cocotte-Minute de dimensions standards — 8 à 22 pintes (7,6 à 20,9 litres) avec une base de 8 à 11 po (20,3 à 27,9 cm) et une hauteur de 6,5 à 12 po (165 à 305 mm).

Conseils d'utilisation :

- Il est préférable d'utiliser un récipient à fond plat qu'un récipient à fond concave, convexe ou ondulé.
- Si vous utilisez deux cocottes en même temps, placez-les sur des brûleurs décalés. Ne bloquez pas la circulation d'air autour des brûleurs. La flamme a besoin d'une certaine quantité d'air pour bien brûler.
- Mettez un couvercle sur la cocotte lorsque vous portez son contenu à ébullition.
- Quand le contenu bout au réglage **HI**, baissez la flamme le plus possible pour maintenir à ébullition ou maintenir la pression.
- La cuisson à la cocotte produit de grandes quantités de vapeur. Faites attention pour ne pas vous brûler.

Conseils de cuisson

Consultez le tableau des *page 19* pour vous guider. Les réglages à utiliser varient selon l'ustensile choisi et la température initiale des aliments.

Dans le tableau, le « Réglage final » est séparé pour les brûleurs standards et les brûleurs ExtraLow^{mc}. Selon le cas, ce réglage sera identique ou différent.

Le réglage ExtraLow des brûleurs STAR^{mc} peut être un réglage de cuisson ou de maintien de température.

Augmentez ou diminuez la flamme progressivement. Laissez le temps au récipient et aux aliments de réagir au nouveau réglage.

Conseils de cuisson – Brûleurs de la table de cuisson

Aliments	Réglage initial	Réglage final – brûleurs standards	Réglage final – brûleurs ExtraLow ^{mc} (XLO)
BOISSONS Cacao	MED – Chauffer le lait, couvrir	SIM – Finir de chauffer	XLO – Maintenir au chaud, couvrir*
PAIN Pain doré Crêpes Sandwiches grillés	MED – Préchauffer le poêlon	SIM à MED – cuire	Identique aux brûleurs standards
BEURRE À fondre	SIM – pour commencer à faire fondre	XLO - Pour maintenir la température*	Laisser fondre pendant 5 à 10 minutes
CÉRÉALES Semoule de maïs, gruau, avoine	HI – Couvrir, porter l'eau à ébullition, ajouter les céréales	SIM à MED – terminer la cuisson selon les instructions sur l'emballage.	XLO – Pour maintenir la température, couvrir*
CHOCOLAT À fondre	XLO – peut être remué pour faire fondre plus vite	Utiliser XLO	XLO – Laisser fondre pendant 10 à 15 minutes. XLO – Pour maintenir la température*
DESSERTS Bonbons	SIM à MED – cuire selon la recette	SIM à MED	Identique aux brûleurs standards
Pouding et mélange pour garniture à tarte	SIM à MED SIM – suivre les indications sur l'emballage	SIM	Identique aux brûleurs standards
Pudding	SIM à MED SIM – Faire bouillir le lait	SIM	Identique aux brûleurs standards
OEUFS À la coque	MED HI – couvrir les œufs avec de l'eau, couvrir, porter l'eau à ébullition	Utiliser XLO	XLO – 3 à 4 minutes pour œufs mollets; 15 à 20 minutes pour œufs durs
Frits, brouillés	SIM à MED – Faire fondre le beurre, ajouter les œufs	SIM – pour terminer la cuisson	Identique aux brûleurs standards
Pochés	HI – Porter à ébullition, ajouter les œufs	SIM à MED – pour terminer la cuisson	Identique aux brûleurs standards
VIANDE, POISSON, VOLAILLES Bacon, Saucisses, galettes	HI – Jusqu'à ce que la viande commence à grésiller	SIM à MED – pour terminer la cuisson	Identique aux brûleurs standards
Braiser : steak suisse, rôti à la cocotte, ragoût	MED HI – Faire fondre la graisse, faire revenir à MED HI à HI , ajouter du liquide, couvrir		XLO Laisser mijoter jusqu'à ce que la viande soit tendre
Grillade rapide au poêlon; steaks pour déjeuner	MED HI – préchauffer le poêlon	MED à MED HI – frire rapidement au poêlon	Identique aux brûleurs standards
Friture : poulet	MED HI – Faire chauffer l'huile puis faire dorer à MED	SIM – couvrir pour terminer la cuisson	Identique aux brûleurs standards
Grande friture : crevettes	MED HI – Faire chauffer l'huile	MED à MED HI – pour maintenir la température	Identique aux brûleurs standards

Aliments	Réglage initial	Réglage final – brûleurs standards	Réglage final – brûleurs ExtraLow ^{mc} (XLO)
Grillade au poêlon : côtelettes d'agneau, steaks minces, hamburgers, saucisses en chapelet	MED HI – Préchauffer le poêlon	MED – pour brunir la viande	Identique aux brûleurs standards XLO – pour maintenir
Pocher : poulet, entier ou morceaux, poisson	MED HI – Couvrir, porter à ébullition		Pour terminer la cuisson
Faire mijoter : poulet à l'étouffée, corned-beef, langue, etc.	HI – Couvrir, porter à ébullition		Laisser mijoter
PÂTES Macaronis, nouilles, spaghettis	HI – Porter l'eau à ébullition, ajouter les pâtes	MED à HI – pour maintenir à ébullition	Identique aux brûleurs standards
COCOTTE-MINUTE Viande	MED HI à HI – faire monter la pression	SIM à MED – maintenir la pression	Identique aux brûleurs standards
Légumes	HI – faire monter la pression	MED SIM à MED – maintenir la pression	Identique aux brûleurs standards
RIZ	HI – Couvrir, porter l'eau et le riz à ébullition.	Réduire la chaleur à SIM . Couvrir et faire cuire jusqu'à ce que l'eau soit absorbée	Faire cuire selon les instructions du sachet XLO – Pour maintenir la chaleur, couvrir
SAUCES Sauce tomate	MED HI – cuire la viande/les légumes selon la recette	SIM pour faire mijoter	XLO – laisser mijoter sans couvercle pour que la sauce épaississe
Sauce blanche, à la crème, béarnaise	MED – Faire fondre la graisse, suivre la recette	SIM – pour terminer la cuisson	XLO – Pour maintenir la chaleur, couvrir*
Hollandaise	XLO		XLO – Pour maintenir la chaleur, réglage le plus bas
SOUPES, BOUILLONS	HI – Couvrir, porter à ébullition	SIM pour faire mijoter	Mijoter à XLO – Pour maintenir la chaleur, couvrir*
LÉGUMES Frais	HI – Couvrir, porter l'eau et les légumes à ébullition	SIM à MED – faire cuire 10 minutes ou jusqu'à ce qu'ils soient tendres	XLO – pour maintenir la chaleur, couvrir
Congelés	HI – Couvrir, porter l'eau et les légumes à ébullition	SIM à MED – faire cuire selon les instructions du paquet	Identique aux brûleurs standards
Grande friture	HI – Faire chauffer l'huile	MED à MED HI – pour conserver la température de friture	Identique aux brûleurs standards
Sautés	MED HI – Faire chauffer l'huile ou faire fondre le beurre, ajouter les légumes	SIM à MED – laisser cuire jusqu'au point de cuisson désiré	Identique aux brûleurs standards
Revenus à la poêle	HI – Faire chauffer l'huile, ajouter les légumes	HI à HI – pour terminer la cuisson	Identique aux brûleurs standards

*Il est recommandé de remuer ces aliments de temps en temps.

Utilisation de la plaque chauffante électrique

(disponible avec certains modèles)


Description

La plaque chauffante intégrée est fabriquée en aluminium de qualité commerciale enduit d'un revêtement antiadhésif en titane, ce qui donne une surface facile à nettoyer où la chaleur se répand de façon uniforme.

Une planche à découper en érable (PA12CHPBLK), un couvercle en acier inoxydable et un gril avec revêtement en aluminium (PA12CVRJ et PA12GRILHC) sont disponibles comme accessoires et peuvent être achetés séparément. La planche à découper en érable et le couvercle en acier inoxydable sont conçus pour s'ajuster à la surface lorsque la plaque n'est pas utilisée. Le gril avec revêtement en aluminium est conçu pour remplacer la plaque chauffante. Consultez les instructions de la plaque chauffante pour obtenir de plus amples détails.

La planche à découper et le couvercle doivent être enlevés avant d'utiliser la plaque chauffante.

	AVERTISSEMENT :
L'élément de la plaque chauffante reste chaud après utilisation. Prévoyez suffisamment de temps pour que tous ses composants refroidissent avant de les nettoyer.	

	MISE EN GARDE :
Pour éviter tout risque de blessure, n'utilisez JAMAIS la plaque chauffante sans sa plaque. N'utilisez JAMAIS la plaque chauffante d'une manière non indiquée dans le guide d'entretien et de maintenance.	

N'utilisez jamais la plaque d'une façon autre que ce qui est indiqué dans le guide d'utilisation et d'entretien.

- Le plateau (ou le gril) doit toujours être en place lors de l'utilisation de la plaque chauffante.
- La tension d'alimentation nominale de l'élément de la plaque chauffante est de 120 VAC, 1630 watts.
- La plaque chauffante est ajustée électroniquement aux températures indiquées sur les boutons, de 150°F à 500°F (66°C à 260°C).
- Il n'y a pas de réglages fixes sur les boutons.
- Appuyez et tournez les boutons dans le sens horaire pour obtenir le réglage désiré.

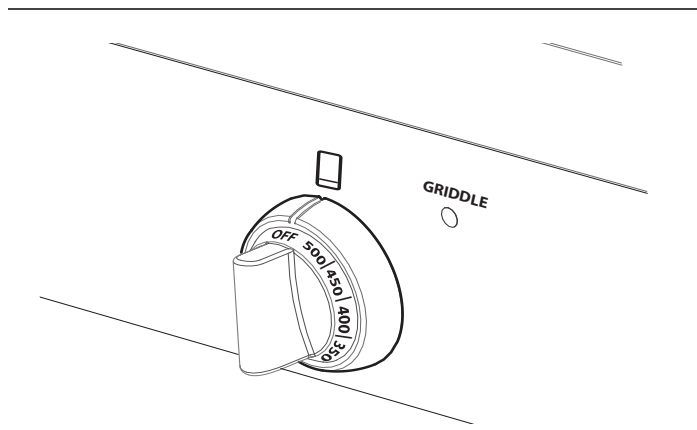


Figure 25 : Bouton de commande de la plaque chauffante

Préparation de la plaque

Assurez-vous que la plaque chauffante est bien ajustée en versant deux cuillerées d'eau à l'arrière de la plaque. L'eau devrait lentement couler vers les collecteurs de graisse. Autrement, ajustez les deux vis situées sous la plaque, à l'arrière de celle-ci. Commencez par dévisser les vis d'un demi-tour. Les ajustements subséquents devraient se faire par quart de tour jusqu'à ce que l'eau coule dans les collecteurs de graisse.

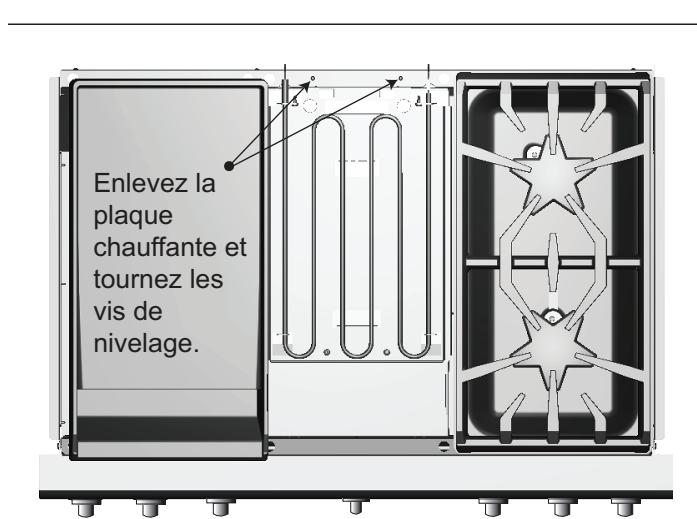


Figure 26 : Vis de nivelage de la plaque chauffante

Avant d'être utilisée, la plaque chauffante doit être lavée à l'eau chaude savonneuse, puis rincée à l'eau claire. La plaque peut être utilisée sans beurre, margarine ou huile. Toutefois, une petite quantité peut être utilisée pour donner du goût aux aliments.

Tous les types d'ustensiles peuvent être utilisés sur la plaque. Prenez garde de ne pas endommager la surface avec les ustensiles. Ne coupez pas directement d'aliments sur la plaque chauffante.

AVIS:

Le rendement de la plaque chauffante ou du gril peut varier si la circulation d'air près de l'appareil est trop élevée. Une circulation d'air excessive pourrait provenir d'un ventilateur de plafond ou d'un appareil de climatisation soufflant sur la surface de cuisson. Cela pourrait prolonger le temps d'échauffement ou faire en sorte que la température de la plaque chauffante ne corresponde pas à ce que le réglage des boutons de commande indique.

Conseils de cuisson – Plaque chauffante

ALIMENT	RÉGLAGE
Œufs	325°F à 350°F (160°C à 180°C)
Bacon, saucisses à déjeuner	375°F à 400°F (190°C à 205°C)
Sandwichs grillés	350°F à 375°F (180°C à 190°C)
Poitrines de poulet désossées	375°F à 400°F (190°C à 205°C)
Côtelettes de porc désossées de 1 po (25,4 mm) d'épaisseur	375°F à 400°F (190°C à 205°C)
Steaks de 1 po (25,4 mm) d'épaisseur	400°F à 425°F (200°C à 220°C)
Boulettes de bœuf haché de 6 onces	375°F à 400°F (190°C à 205°C)
Boulettes de dinde hachée, 6 onces	450°F – 475°F (230°C – 245°C)
Hot Dogs	350°F à 375°F (180°C à 190°C)
Tranches de jambon de 1/2 po (12,7 mm) d'épaisseur	350°F à 375°F (180°C à 190°C)
Crêpes, pain doré	400°F à 425°F (205°C à 218°C)
Pommes de terre, pommes de terre rissolées	375°F à 400°F (190°C à 205°C)

Pour garantir une cuisson uniforme, assurez-vous que l'épaisseur des aliments est plus ou moins égale partout.

Plateau à graisse de la plaque chauffante

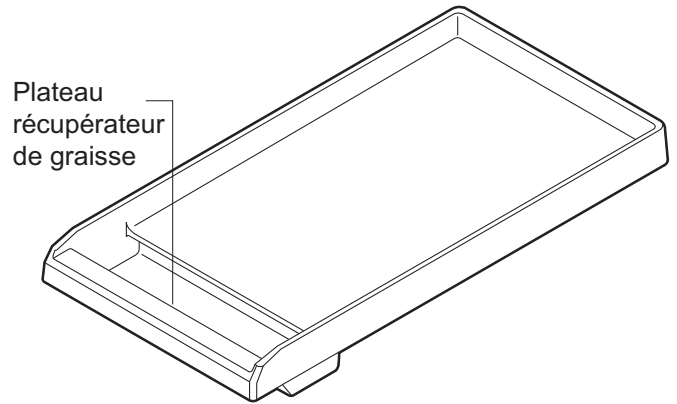


Figure 27 : Plateau à graisse

- Nettoyez le plateau à graisse après chaque utilisation. Lorsque vous le retirez en l'inclinant, faites attention pour ne pas que son contenu se déverse.
- Le plateau de la plaque chauffante et son plateau à graisse sont lavables au lave-vaisselle.
- Lorsqu'elle a refroidi, versez la graisse dans un contenant résistant à la graisse avant de la jeter.

Cuisson sur la plaque chauffante

1. Tournez le bouton à la température de cuisson appropriée pour préchauffer la plaque chauffante.
2. Préchauffez-la jusqu'à ce que le témoin de la plaque s'éteigne.
3. Ajoutez du beurre, de la margarine, de l'huile ou de la graisse végétale, si désiré.

NOTE:

Une hotte dûment installée n'est pas considérée comme une source de circulation d'air excessive.

Utilisation de la table de cuisson

Cuisson au four

Préchauffage du four

La plupart des durées de cuisson évoquées dans les recettes sont conçues pour un four préchauffé et requièrent du four qu'il ait déjà atteint une certaine température avant de commencer la cuisson. Consultez votre recette pour les recommandations de préchauffage. Le temps de préchauffage dépend du réglage de la température et du nombre de grilles placées dans le four.

Optimisation des résultats

- Réduisez au maximum le temps d'ouverture de la porte.
 - Utilisez une minuterie.
 - Utilisez la lumière intérieure du four.
- Utilisez le récipient recommandé dans la recette.
- Sortez la ou les lèchefrites du four. Une lèchefrite sans aliments nuira au dorage et à la cuisson.
- Le dorage dépend du type d'ustensile utilisé :
 - Pour obtenir des croûtes tendres et légèrement dorées, utilisez des ustensiles antiadhésifs, anodisés ou en métal brillant.
 - Pour des croûtes croustillantes plus dorées, utilisez des ustensiles métalliques antiadhésifs, anodisés ou noirs étamés ou encore en verre convenant aux fours. Vous pourriez avoir à diminuer la température de cuisson de 25°F (14°C).

Types de plats pour le four

- Plats en métal (avec ou sans revêtement antiadhésif), en verre résistant à la chaleur, en vitrocéramique, en terre cuite ou autres ustensiles allant au four.
- Les plaques de four adaptées ont un petit rebord d'un seul côté. Les tôles épaisses ou celles qui ont plus d'un côté peuvent altérer le temps de cuisson.
- Des plaques commerciales à pâtisserie pleine grandeur (18 po x 26 po – 457 mm x 660 mm) peuvent être utilisées dans les fours de 36 et 48 pouces (914 mm et 1219 mm).

Position des grilles de four

- Les positions des grilles de four sont numérotées comme un ascenseur. Le numéro un correspond à la position la plus basse (*Figure 28*).

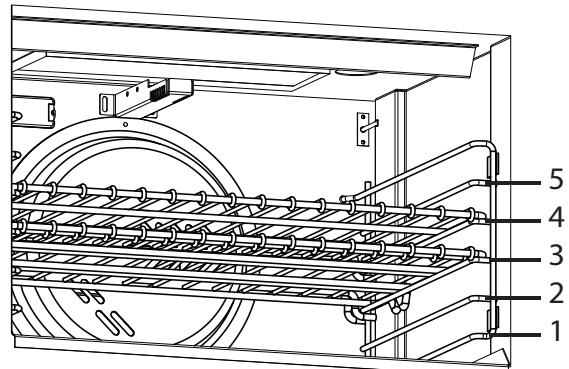


Figure 28 : Four principal au gaz avec positions des grilles

Positionnement

- Laissez au moins 1 po (25,4 mm) d'espace entre les casseroles et les parois du four de façon à ce que la chaleur puisse circuler autour de chaque casserole.
- Décaler les plats de cuisson de façon à ce qu'ils ne soient pas directement l'un au-dessus de l'autre. Laissez 1½ po (38 mm) d'espace au-dessus et en dessous de chaque plat.

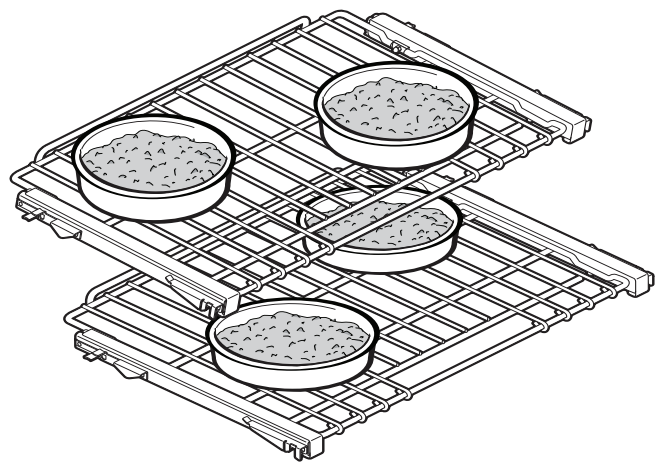


Figure 29 : Plat Positionnement

Four principal

Cuisson avec une grille

- Le mode Bake (cuisson au four) est le plus adapté à la cuisson au four avec une seule grille placée à la position numéro 3; c'est le mode utilisé pour faire cuire la plupart des aliments. Si la pièce à cuire est haute, comme un gâteau des anges, vous pouvez utiliser la position numéro 2. Les tartes cuisent mieux à la position numéro 2, le dessous de la pâte est ainsi bien cuit et le dessus ne roussit pas. Pour faire rôtir de grosses pièces de viandes ou de volaille, comme une côte de bœuf ou une dinde, la position numéro 2 est la plus adaptée.

Cuisson avec deux grilles

- Les plats préparés au four peuvent être cuits en utilisant les niveaux 2 et 5. Vous pouvez aussi utiliser la cuisson à convection.

Cuisson avec trois grilles

- Pour la cuisson avec trois grilles, il serait préférable d'utiliser le mode **Convection Bake** (Cuisson à convection).

Four secondaire (modèles de 48 po)

- La cuisson à la position 3 donne de meilleurs résultats. Lorsque plus d'espace est nécessaire, vous pouvez utiliser la position 2. L'utilisation de la position 2 pour faire cuire des tartes donne une croûte croustillante au fond sans trop faire cuire le dessus.

NOTE :

Les recommandations relatives à la position des grilles s'appliquent à la cuisson au four; toutefois, si une recette suggère une position de grille différente, vous devriez suivre la recette ou les instructions de l'emballage.

Convection

Cuisson par convection

Il y a plusieurs avantages à la cuisson par convection. Dans le système par convection, un ventilateur à l'arrière du four déplace uniformément l'air dans le four. Cet air offre une chaleur uniforme pour que les aliments placés sur toute grille donnent des résultats constants. Des aliments sur plusieurs grilles peuvent être cuits en même temps et seront cuits sans avoir à tourner les plats.

Des plats peu profonds doivent être utilisés pour la cuisson par convection. Ceci permet à l'air de bien circuler. Les plats à rebords élevés ou couverts ne conviennent pas à ce type de cuisson, car l'air chaud ne peut circuler autour des aliments.

Il est possible d'utiliser les plats préférés pour la cuisson par convection pourvu que les bords soient peu profonds pour que l'air circule autour des aliments. Tout aliment non

couvert brunira uniformément et une croûte riche se formera. Les aliments dans des casseroles couvertes (casseroles, rôtis) ou crèmes anglaises ne profitent pas de la cuisson par convection.

Cuisson par convection

Il est possible d'économiser du temps en cuisant une bonne quantité de biscuits en même temps. Les biscuits cuisent uniformément. La durée de cuisson peut être plus courte grâce à l'air chaud qui circule. Pour de petits produits, comme les biscuits, vérifier la cuisson deux minutes avant le temps indiqué dans la recette. Pour des produits plus grands, comme les gâteaux, vérifier cinq à six minutes avant le temps indiqué dans la recette.

La cuisson par convection de la viande et de la volaille donnera des aliments brunis et croustillants à l'extérieur et tendres et juteux à l'intérieur. De grosses pièces de viande ou de volaille peuvent prendre jusqu'à 30 minutes de moins que le temps recommandé dans la recette, par conséquent, vérifiez la cuisson afin qu'elles ne cuisent pas trop. Un thermomètre à viande assurera des résultats précis plutôt que le nombre de minutes par livres (kg).

Plus la pièce de viande ou de volaille est grosse, plus il y a économie de temps.

Conversion de la cuisson conventionnelle à la cuisson par convection

Pour convertir la plupart des recettes (biscuits, gâteaux, tartes, etc.), réduire la température du four de 25°F (14°C). Pour la viande et la volaille, la température ne doit pas être réduite. Utiliser la même température que celle recommandée dans la recette et les tableaux de cuisson pour la viande et la volaille.

Conseils d'utilisation de la cuisson par convection

Préchauffage du four

Quel que soit le type d'aliments à cuire, préchauffez le four. Suivez les recommandations de votre recette pour le préchauffage. Le temps de préchauffage dépend du réglage de la température et du nombre de grilles placées dans le four.

Réglage de température

Quand vous utilisez la cuisson par convection, réduisez la température recommandée dans la recette de 14°C (25°F). Pour rôtir des viandes, vérifiez la température intérieure avant d'enfourner votre plat pour ajuster le temps de cuisson recommandé dans la recette et éviter qu'il ne soit trop cuit. En rôtissant des viandes en mode cuisson par convection, ne réduisez pas le réglage de la température.

Cuisson à haute altitude

En haute altitude, les recettes et les temps de cuisson sur le mode **BAKE (CUISSON)** ou sur le mode **CONV. BAKE (CUISSON PAR CONVECTION)** peuvent changer. Pour plus d'information, écrivez à : Extension Service, Colorado State University, Fort Collins, Colorado 80521 USA. Les bulletins peuvent être payants. Précisez le type d'information que vous voulez recevoir (par exemple, gâteaux, petits gâteaux secs, pain, etc.).

Condensation

Il est normal que de l'humidité s'évapore des aliments pendant le processus de cuisson. La quantité d'humidité dépend du degré d'humidité des aliments. Cette humidité se condensera sur toute surface plus froide que l'intérieur du four, comme le panneau de commande.

Position des grilles

Cuisson avec une grille

- Pour la cuisson avec une seule grille, vous obtiendrez de meilleurs résultats sur le mode cuisson (voir la section Cuisson au four).
- Pour faire rôtir une dinde ou une grosse pièce de viande, utilisez la cuisson par convection. La position 2 est la plus appropriée.

Cuisson avec deux grilles

- Les positions 2 et 4 sont les plus appropriées pour la cuisson par convection. Les plats ronds de gâteaux peuvent être superposés sur les grilles 2 et 4. Les plaques à biscuits et les plats de gâteaux rectangulaires de 9 po x 13 po doivent être placés directement sur la grille 2, sous celle de la grille 4.
- Ce mode convient aux gâteaux, aux petits gâteaux secs, aux biscuits et aux autres aliments pour lesquels deux grilles de cuisson sont souhaitables.
- Pour faire cuire plusieurs ragoûts, tartes congelées ou gâteaux, utilisez les positions 2 et 4.
- Ces deux grilles peuvent également servir à préparer de grands repas.

Cuisson avec trois grilles

- Si vous voulez faire cuire plusieurs tôles à pâtisserie, placez-les aux positions 1, 3 et 5. Posez les tôles de cuisson directement les unes au-dessus des autres sur leurs grilles respectives pour permettre la circulation de l'air.

Type de plats pour le four

- Les plats en aluminium sont ceux qui donnent les meilleurs dorages.
- Les tôles à pâtisserie doivent avoir des côtés bas; l'aluminium commercial ou les ustensiles de cuisson professionnels peuvent être utilisés, mais la durée de cuisson peut être augmentée.

Positionnement

- Pour un meilleur dorage, les récipients comme les tôles à pâtisserie, les moules ronds ou les plats rectangulaires doivent être placés dans le sens transversal sur la grille, avec les côtés les plus courts à droite et à gauche. Cela permet à l'air de circuler librement.
- Au moment de faire cuire avec plus d'une grille, les plaques à biscuit et les plats à gâteaux rectangulaires de 9 po x 13 po ne doivent pas être empilés, contrairement aux moules à gâteau.



ATTENTION :

N'utilisez jamais du papier d'aluminium pour couvrir les grilles ou chemiser le four lorsque vous utilisez le four à n'importe quel mode. Cela peut endommager le four et causer un risque d'incendie si la chaleur ne peut s'échapper.

Séchage d'aliments avec le mode de cuisson à convection

Utilisez le mode de cuisson à convection pour sécher et conserver des fruits et légumes.

Conseils :

- Le temps de cuisson varie en fonction du degré d'humidité et du contenu en sucre des aliments, de la taille des pièces, de la quantité d'aliments à sécher et du taux d'humidité de l'air.
- Faites sécher la plupart des fruits et légumes à 150°F (66°C).
- Vérifiez les aliments une fois que le temps de séchage minimum a passé.
- Il vaut mieux utiliser les grilles de séchage (non inclus) pour que l'air puisse circuler autour des aliments. Ne placez pas les aliments directement sur une tôle à biscuits ou une plaque. Les aliments doivent être assez hauts dans le four pour sécher uniformément.
- Vous pouvez utiliser simultanément plusieurs grilles de séchage.
- Pour sécher plusieurs grilles d'aliments en même temps, vous pouvez placer les grilles aux niveaux 2 et 4, ou 1, 3 et 5. Pour une seule grille, utilisez seulement le niveau 3.
- Pour des questions de salubrité alimentaire, il n'est pas recommandé de faire sécher de la viande.
- Consultez un livre de conservation d'aliments, un bureau régional de salubrité alimentaire ou des ouvrages disponibles en bibliothèque pour obtenir de plus amples renseignements.

Aliment	Préparation	Approx. (heures)	Vérification de la tendreté
Fruit			
Pommes	Trempez les morceaux dans ¼ de tasse de jus de citron et 2 tasses d'eau. Tranches d'un quart de pouce (1/4 po).	8 – 15	Légèrement flexibles
Bananes	Trempez les morceaux dans ¼ de tasse de jus de citron et 2 tasses d'eau. Tranches d'un quart de pouce (1/4 po).	8 – 15	Légèrement flexibles
Cerises	Nettoyez et séchez avec un linge. Dénoyautez les cerises fraîches.	7 – 18	Parcheminées et molles
Pelures d'orange	Coupez de fines pelures de la peau des oranges.	1 – 4	Sèches et cassantes
Tranches d'orange	Tranches d'un quart de pouce (1/4 po).	9 – 16	Peau sèche et cassante, fruit légèrement humide.
Tranches d'ananas en conserve	Séchez avec un linge.	8 – 13	Tranches molles et flexibles.
Tranches d'ananas frais	Séchez avec un linge.	7 – 12	Tranches molles et flexibles.
Fraises	Nettoyez et séchez avec un linge. Coupez des tranches d'un demi-pouce d'épaisseur (1/2 po). Placez-les la peau contre la grille.	9 – 17	Sèches et cassantes
Légumes			
Poivrons	Nettoyez et séchez avec un linge. Enlevez la peau. Coupez grossièrement des morceaux d'environ un pouce.	13 – 17	Parcheminés, sans humidité à l'intérieur.
Champignons	Nettoyez et séchez avec un linge. Coupez de fines tranches de 1/8 de pouce.	5 – 12	Durs et parcheminés, secs.
Tomates	Nettoyez et séchez avec un linge. Coupez de fines tranches de 1/8 de pouce en prenant soin de bien les évider.	5 – 12	Sèches. Couleur de brique rouge.

Tableau 2: Charte de déshydratation

Conseils de cuisson au four

ALIMENTS	DIMENSIONS DU PLAT	RÉGLAGE DE TEMPÉRATURE	TEMPS DE CUISSON TOTAL SUGGÉRÉ
Biscuits	Plaque à biscuits de 12 po x 15 po	375°F (190°C)	8 to 12 minutes
Gâteaux fourrés	Moule rond de 8 po ou 9 po	350°F (177°C)	25 à 35 minutes
Feuilletés	Moule de 9 po x 13 po	350°F (177°C)	30 à 40 minutes
Gâteaux Bundt™	12 moules	325°F (163°C)	60 à 75 minutes
Carrés au chocolat ou biscuits rectangulaires	Moule de 9 po x 9 po	325°F (163°C)	20 à 25 minutes
Biscuits	Plaque à biscuits de 12 po x 15 po	425°F (220°C) ou instructions du paquet	10 à 15 minutes
Préparation rapide pour pain	Moule à pain de 8 po x 4 po	350°F (177°C)	55 à 70 minutes
Muffins	moules à muffins de 12	425°F (218°C)	14 à 19 minutes
Tartes aux fruits	Assiette de 9 po de dia.	425°F (218°C)	35 à 45 minutes
Pavés aux fruits	Moule de 9 po x 9 po	400°F (204°C)	25 à 30 minutes
Pain à la levure, miches	Moule à pain de 8 po x 4 po	375°F (190°C)	25 à 30 minutes
Petits pains	Moule de 9 po x 13 po	400°F (204°C)	12 à 18 minutes
Rouleaux cannelle	Moule de 9 po x 13 po	375°F (190°C)	25 à 30 minutes
Gâteau danois	Plaque à biscuits de 12 po x 15 po	400°F (204°C)	20 à 30 minutes

Réglages de cuisson/cuisson par convection

Ces modes de cuisson sont pour la cuisson, le rôtissage ou le réchaud avec l'utilisation d'une, deux ou trois grilles.

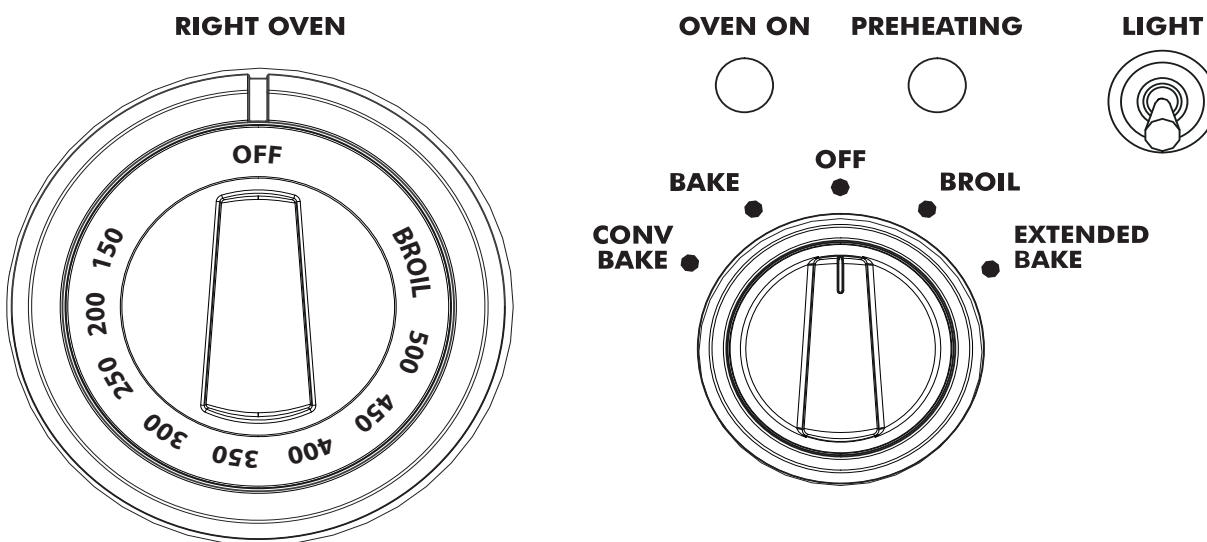
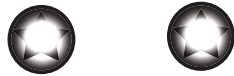


Figure 30 : Bouton de contrôle du four de 30 po

Pour régler le four

1. Choisir le mode **BAKE** ou **CONVECTION BAKE** à l'aide du sélecteur de mode.
2. Régler la température du four avec le sélecteur de température
 - Si l'on utilise la **CONVECTION BAKE**, régler le sélecteur de température à 25°F (14°C) de moins que la température suggérée dans la recette. Aucune variation du réglage de température n'est nécessaire pour rôtir la viande ou la volaille.
 - Les voyants **OVEN ON** et **PREHEATING** s'allument.

OVEN ON PREHEATING



- Le four est préchauffé à la température réglée lorsque le voyant **PREHEATING** fait un cycle arrêt la première fois.

OVEN ON PREHEATING



- Le voyant de **OVEN ON** reste allumé pendant un mode de cuisson actif et demeure allumé jusqu'à ce que le bouton de contrôle du four soit réglé en position **OFF**.

REMARQUE :

L'éclairage du four s'active par un interrupteur séparé, indépendant de tout autre réglage de contrôle.

Cuisson prolongée

Ce mode de cuisson unique permet d'aider selon les principes du Sabbath.

1. Choisir le mode **EXTENDED BAKE** avec le sélecteur de mode.
2. Régler la température du four avec le sélecteur de température.
 - La PHASE DE PRÉCHAUFFAGE est la même que le mode CUISSON. Une fois le four préchauffé à la température sélectionnée, le cycle de cuisson prolongée de 22 minutes commence.
 - La PHASE ACTIVE de cuisson est comme d'habitude pour 19 minutes, sauf pour les 2 dernières minutes, les voyants **OVEN ON** et **PREHEATING** clignotent lentement (marche 3 secondes / arrêt 3 secondes) indiquant la phase finale.

OVEN ON PREHEATING



- **PHASE ACCÈS** (four au ralenti)
Une fois que les deux voyants cessent de clignoter et demeurent en circuit, les 3 dernières minutes permettent aux personnes, pour le Sabbath, d'accéder au four sans modifier un changement du fonctionnement du four. Le brûleur du four demeure hors circuit pendant cette phase.

Fonctionnement automatique de la soufflerie de refroidissement :

Le ventilateur de refroidissement s'active seulement si le four atteint 300°F (149°C). Lorsque vous éteignez le four, le ventilateur reste en fonction jusqu'à ce que la température redescende à 250°F (121°C).

NE continuez PAS à utiliser le four si la soufflerie de refroidissement ne se met pas en marche. Appelez un centre de service qualifié pour que le four soit réparé.

Autres utilisations du four

Cuisson lente et à basse température

Outre des températures idéales pour cuire et rôtir, ce four offre la possibilité de conserver des plats cuisinés au chaud, de déshydrater des aliments et de réchauffer les plats, grâce à ses réglages à basse température.

Les plats cuisinés chauds seront conservés à leur température de service. Réglez le four sur le mode cuisson et utilisez la température indiquée dans le tableau.

Pour de meilleurs résultats, préchauffez le four à la température souhaitée.

Les aliments susceptibles de se dessécher devront être recouverts de papier d'aluminium ou d'un couvercle.



AVERTISSEMENT :

SALUBRITÉ ALIMENTAIRE – Le ministère de l'Agriculture américain vous conseille de NE PAS CONSERVER d'aliments à des températures comprises entre 4°C (40°F) et 60°C (140°F) pendant plus de deux heures. Il n'est pas conseillé de faire cuire des aliments crus à des températures inférieures à 135°C (275°F).

Suggestions de température pour conserver la chaleur des aliments

ALIMENT	TEMPÉRATURE DU FOUR
Bœuf	150°F (70°C)
Bacon	200° – 225°F (90° – 110°C)
Biscuits et muffins (recouverts)	175° – 200°F (80° – 90°C)
Ragoût (recouvert)	175° – 200°F (80° – 90°C)
Poisson et fruits de mer	175° – 200°F (80° – 90°C)
Aliments frits	200° – 225°F (90 – 110°C)
Jus de viande ou sauces à la crème (recouverts)	175°F (80°C)
Rôtis de veau et d'agneau	175° – 200°F (80° – 90°C)
Crêpes et gaufres (recouvertes)	200° – 225°F (90° – 110°C)
Pommes de terre cuites	200°F (90°C)
Purée de pommes de terre (recouverte)	175°F (80°C)
Pâtes et pâtisseries	175°F (80°C)
Pizza (recouverte)	225°F (110°C)
Porc	175° – 200°F (80° – 90°C)
Volaille (recouverte)	175° – 200°F (80° – 90°C)
Légumes (recouverts)	175°F (80°C)

Gril (BROIL)

Pour obtenir les meilleurs résultats

- Décongelez les aliments avant de les faire griller.
- Vous pouvez laisser la porte du four fermée pendant la grillade.
- Pour obtenir un point de cuisson saignant, les steaks doivent avoir une épaisseur d'au moins 25 mm (1 po).
- Ne retournez les aliments qu'une fois, au milieu du temps total de cuisson. Il n'est pas nécessaire de retourner les morceaux très fins (tranches de jambon, filets de poisson, etc.). Les tranches de foie doivent être retournées indépendamment de leur épaisseur.

- Utilisez une minuterie. Réglez-la à la durée minimum de vérification de la cuisson.
- Placez les aliments directement sous le brûleur à infrarouge pour qu'ils dorent bien.
- Si des aliments se trouvent trop près de l'élément de voûte pour le rôtissage, il pourrait y avoir de grandes quantités de fumée. Déplacez les aliments un peu plus bas.

Position de la grille

Avant d'allumer le four, placez la grille à la position désirée. Centrez la lèchefrite sous le brûleur à infrarouge.

Four à gaz

- N° 4 — Utilisez cette position de grille pour faire griller les steaks de bœuf, les galettes de bœuf, les steaks de jambon et les côtes d'agneau de 25 mm (1 po) ou moins d'épaisseur. Utilisez-la également pour faire dorer le dessus des aliments.
- N° 3 — Utilisez cette position de grille pour faire griller des viandes d'une épaisseur de 29 mm (1 1/8 po) ou plus, le poisson, la volaille, les côtes de porc, les steaks de jambon de 25 mm (1 po) ou plus d'épaisseur.
- N° 3 — Utilisez cette position de grille pour faire rôtir des moitiés de poulets (enlevez la peau).

Ustensiles

- La lèchefrite 2 pièces en porcelaine émaillée avec sa grille est incluse avec la cuisinière. **NE RECOUVREZ PAS** la grille quadrillée (dessus) avec du papier d'aluminium.
- Utilisez des plats en métal ou en vitrocéramique pour faire gratiner les ragoûts, les plats ou le pain.
- N'UTILISEZ PAS de plats en verre résistant à la chaleur ou en terre cuite. Ce type de plats ne résistera pas à l'intense chaleur du gril à gaz.

Griller à l'aide d'un thermomètre à viande

Pour déterminer de manière précise le point de cuisson d'un steak ou d'une côte épaisse (plus de 38 mm (1,5 po)), utilisez un thermomètre à viande ordinaire. Introduisez la pointe du thermomètre dans le côté de la pièce et enfoncez-le jusqu'au centre.

Pour les steaks saignants, faites d'abord cuire le premier côté jusqu'à 32°C (90°F). Pour les steaks à point ou bien cuits, faites cuire le premier côté jusqu'à 37°C (100°F). Retournez et faites cuire le second côté jusqu'à la température interne voulue.

Remarque :

Il est impossible d'utiliser simultanément le four et le gril. Quand l'un est en marche, l'autre ne peut pas être allumé.

Réglage du grilloir

Seul le brûleur à infrarouge chauffe en mode **BROIL** (GRILLOIR).

REMARQUE :

Pour être réussie, une grillade exige une exposition constante à une chaleur élevée et intense.

Réglage du grilloir

Seuls les brûleurs de voûte chauffent au mode **BROIL** (GRILLOIR). Pour être réussie, une grillade doit être exposée constamment à une chaleur intense.

1. Placez la grille à la position voulue dans le four.
2. Régler le sélecteur de mode à **BROIL**.
3. Régler le sélecteur de température à **BROIL**.
4. Attendre que le voyant de **PREHEATING** s'éteigne, après environ 3 minutes.
5. Placez les aliments dans le four à la position voulue.
6. La porte doit être fermée pendant le cycle de grillade.
 - Votre cuisinière Professional vous est fournie avec une grande lèchefrite en deux pièces. Les jus de cuisson coulent au travers de la grille quadrillée dans la partie inférieure, s'éloignant ainsi de l'intense chaleur du grilloir pour minimiser les éclaboussures et la fumée.

Le voyant de **FOUR** reste allumé pendant un mode de cuisson actif et demeure allumé jusqu'à ce que le bouton de contrôle du four soit réglé en position **ARRÊT**.

Fonctionnement automatique de la soufflerie de refroidissement :

Le ventilateur de refroidissement s'active seulement si le four atteint 300°F (149°C). Lorsque vous éteignez le four, le ventilateur reste en fonction jusqu'à ce que la température redescende à 250°F (121°C).

NE continuez PAS à utiliser le grilloir si la soufflerie de refroidissement ne se met pas en marche. Appelez un centre de service qualifié pour que le four soit réparé.

Remarque :

L'éclairage du four s'active par un interrupteur séparé, indépendant de tout autre réglage de contrôle.

Suggestions de température pour conserver la chaleur des aliments

Températures de cuisson internes minimums

Les températures de cuisson internes recommandées par le *U.S. Department of Agriculture Food Safety and Inspection Service*, pour la consommation sécuritaire, sont les suivantes :

Porc, agneau, veau, bœuf hachée frais	160°F (72°C)
--	--------------

Bœuf, veau, rôtis d'agneau, steaks, côtelettes

Mi-saignant	145°F (63°C)
À point	160°F (72°C)
Bien cuit	170°F (77°C)

Rôtis de porc frais, steaks, côtelettes

À point	160°F (72°C)
Bien cuit	170°F (77°C)

Jambon

Cuire avant consommation	160°F (72°C)
Tout à fait cuit, réchauffé	140°F (60°C)

Volaille

Dinde, poulet hachés	165°F (74°C)
Dinde, poulet entiers	180°F (82°C)
Poitrines, rôtis	170°F (77°C)
Cuisses et ailes	180°F (82°C)
Farces (cuite à part ou simultanément)	165°F (74°C)
Plats avec œufs, plats en cocotte	160°F (72°C)
Restes de table	165°F (74°C)

Conseils de cuisson – grillade et rôtis

Toutes les viandes doivent être placées sur la lèchefrite fournie avec la cuisinière.

ALIMENTS	NO. DE GRILLE	MODE DU FOUR	RÉGLAGE DE TEMPÉRATURE	TEMPS DE CUISSON APPROXIMATIF	INSTRUCTIONS PARTICULIÈRES ET CONSEILS
BOEUF Boulette, ½ po (12,7) mm d'épaisseur	4	Grilloir ou grilloir par convection	Grilloir ou grilloir par convection	15 à 20 minutes	Faire griller jusqu'à la disparition de la teinte rosée au centre.
Bifteck de flanc	4	Grilloir ou grilloir par convection	Grilloir ou grilloir par convection	12 à 20 minutes	Le temps dépend du point de cuisson.
Bifteck d'loyau	4	Grilloir ou grilloir par convection	Grilloir ou grilloir par convection	12 à 20 minutes	saignant/à point.
Rôti de côte	3	Rôtissage ou rôtissage par convection	425°F (218°C) pour roussir 325°F (163°C) pour terminer	18 à 20 min/lb	Les petits rôtis requièrent plus de temps par livre. Réduire la durée en utilisant la cuisson à convection.
PAINS Rôtie, pain à l'ail, etc.	5	Gril	Gril	1 à 2 minutes	Faites griller jusqu'au brunissage
PORC Rôti de longe	3	Rôtissage ou rôtissage par convection	325°F (163°C)	20 à 25 min/lb	Laisser cuire jusqu'à l'élimination des jus.
VOLAILLE Poitrines de poulet sans os, sans peau	4	Grilloir ou grilloir par convection	Grilloir ou grilloir par convection	20 à 25 minutes	Laisser cuire jusqu'à l'élimination des jus.
Cuisses de poulet	3	Grilloir ou grilloir par convection	Grilloir ou grilloir par convection	25 à 30 minutes	Retirer la peau; laisser jusqu'à l'élimination des jus.
Demi- poulets	3	Grilloir ou grilloir par convection	Grilloir ou grilloir par convection	30 à 35 minutes	Retourner l'aide d'une pince; laisser cuire jusqu'à l'élimination des jus.
Poulet à rôtir	2	Rôtissage ou rôtissage par convection	375°F (190°C)	20 à 25 min/lb	Ne pas farcir; réduire la durée pendant le gril à convection.
Dinde	2	Rôtissage ou rôtissage par convection	325°F (163°C)	75 à 90 minutes	Ne pas farcir; réduire la durée pendant le gril à convection.

Entretien et nettoyage

Nettoyage de la cuisinière

Pour nettoyer la cuisinière :

1. Utilisez la méthode de nettoyage qui tout en restant efficace, est la plus douce possible. Certains produits d'entretien similaires sont plus rudes que d'autres. Faites d'abord un essai sur une petite surface.
2. Passez toujours les produits lustrant pour le métal dans le sens des lignes de polissage pour obtenir une efficacité maximum et éviter de rayer la surface.
3. N'utilisez que des chiffons, éponges, serviettes en papier, brosses doux et propres; des tampons à récurer savonneux en plastique, non-métalliques, pour nettoyer et gratter, comme recommandé dans le tableau.
4. Toutes les pièces de cet appareil peuvent être nettoyées avec de l'eau chaude savonneuse. S'il est nécessaire de rincer, rincez soigneusement.
5. Essuyez toujours immédiatement pour éviter les traces d'eau.
6. N'utilisez pas de produits nettoyants à base de chlore.
7. Prenez soin des surfaces en acier inoxydable avec du poli à acier inoxydable après les avoir nettoyées pour conserver et protéger le fini.



MISE EN GARDE :

Ne nettoyez pas les pièces du four pendant qu'elles sont encore chaudes.

Marques de produits

Les marques de produits utilisées ici sont destinées à indiquer un type de produit d'entretien et ne constituent pas une obligation. L'omission d'une marque ne signifie pas qu'elle convient ou qu'elle ne convient pas. De nombreux produits sont distribués à grande échelle et il est possible de les trouver localement. Les produits doivent être utilisés conformément à leur mode d'emploi. Le tableau suivant fournit des indications concernant le nettoyage de la cuisinière.

Retrait des guides pour le nettoyage :

1. Soulevez le devant du guide pour libérer les têtes des deux boulons au devant de l'intérieur du four.
2. Retirez la portion avant du guide en tirant les fentes en forme de trou de clé sur les boulons.
3. Tirez les deux rails des trous à l'arrière de l'intérieur du four.

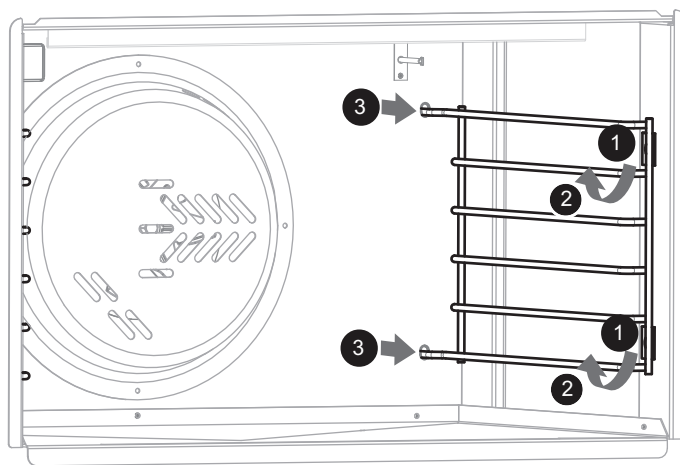
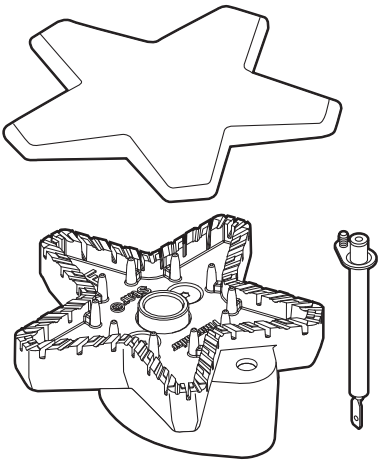


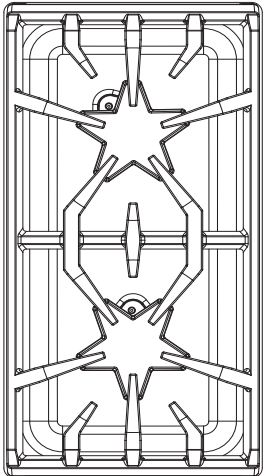
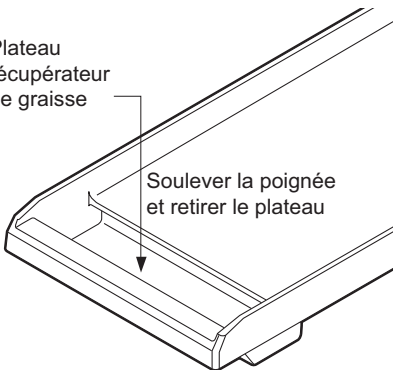
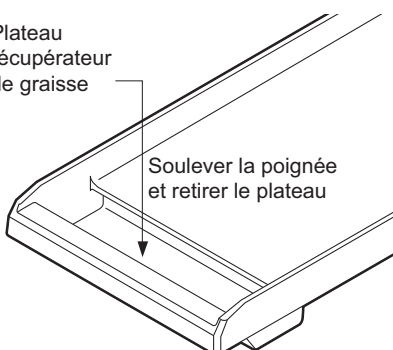
Figure 31 : Retrait des guides pour le nettoyage

Remarque :

Les guides de grilles sont conçus pour s'ajuster d'un côté ou l'autre de la cavité du four.

Recommandations pour le nettoyage

PIÈCE/MATÉRIAU	PRODUITS NETTOYANTS SUGGÉRÉS	RAPPELS IMPORTANTS
<p>Base de brûleur en cuivre et chapeau en fonte</p> 	<ul style="list-style-type: none"> • Eau chaude savonneuse : rincez puis séchez soigneusement. • Produits abrasifs doux : Bon Ami^{mc}, produit nettoyant pour acier inoxydable et aluminium Cameo^{mc}, produit lustrant pour cuivre universel Wright's^{mc}. • Produits nettoyants liquides : Kleen King^{mc}. • Brosse à dents à poils de nylon durs pour nettoyer les orifices. • Après le nettoyage, s'assurer que le capuchon de brûleur est bien positionné sur la base du brûleur. 	<ul style="list-style-type: none"> • Ne pas égratigner ni endommager le port de la base de brûleur en laiton.
<p>Boutons de commande Enjoliveurs en chrome Grille de four Full Access^{mc} /en chrome</p>	<ul style="list-style-type: none"> • Eau chaude savonneuse : rincez et séchez immédiatement 	<ul style="list-style-type: none"> • Ne trempez pas les boutons dans l'eau. • Ne forcez pas un bouton sur un axe qui n'est pas le sien.
<p>Finition externe/dosseret Acier inoxydable</p>	<ul style="list-style-type: none"> • Produits nettoyants non abrasifs : eau chaude et produit détergent, Fantastic, Formula 409^{mc}. Rincez et séchez immédiatement. • Produits lustrant d'entretien : Stainless Steel Magic^{mc} pour protéger le revêtement contre les piqûres de corrosion et les taches; améliore l'aspect. • Taches de calcaire : vinaigre. • Produits pour aluminium et acier inoxydable Siege, produit liquide Kleen King^{mc} pour acier inoxydable. • Décoloration due à la chaleur : Cameo^{mc}, Barkeepers Friend^{mc}, Zud^{mc}, produit lustrant universel pour cuivre Wright's^{mc}. 	<ul style="list-style-type: none"> • L'acier inoxydable résiste à la plupart des taches d'aliments et aux piqûres de corrosion si la surface est maintenue propre et protégée. • Ne laissez jamais laisser les taches d'aliments ou de sel sur l'acier inoxydable. • Frottez légèrement dans le sens des lignes de polissage. • Le chlore et les composés au chlore présents dans certains produits corrodent l'acier inoxydable. Vérifiez la composition du produit sur l'étiquette.
<p>Allumeurs en céramique</p>	<ul style="list-style-type: none"> • Utilisez un tampon de coton mouillé avec de l'eau, du Formula 409^{mc} ou du Fantastic^{mc}. 	<ul style="list-style-type: none"> • N'utilisez pas d'outils coupants pour gratter les allumeurs. Ils sont fragiles; s'ils sont endommagés, les brûleurs ne s'allumeront pas.

PIÈCE/MATÉRIAU	PRODUITS NETTOYANTS SUGGÉRÉS	RAPPELS IMPORTANTS
<p>Grilles/ Porcelaine émaillée sur fonte</p> 	<ul style="list-style-type: none"> • Produits nettoyants non abrasifs : eau chaude et produit détergent, Fantastic^{mc}, Formula 409^{mc}. Rincez et séchez immédiatement. • Produits nettoyants abrasifs doux : Bon Ami^{mc} et Soft Scrub^{mc}. • Produits nettoyants abrasifs pour taches récalcitrantes : tampons métalliques à récurer. • Lestoil^{mc} ou tout autre produit dégraissant. • La texture rugueuse de la grille enlève parfois des morceaux d'aluminium du fond des poêlons, qui se déposent à la surface des points les plus hauts de la grille. Vous pouvez nettoyer ces dépôts de métal avec une éponge Scotch Brite^{mc} propre ou une laine d'acier. 	<ul style="list-style-type: none"> • Les grilles sont lourdes; faites attention en les enlevant. Placez-les sur une surface protégée. • La formation de cloques, de craquelures et d'éclats est fréquente en raison des températures extrêmes que peuvent atteindre les pointes des grilles et aux brusques changements de températures. • Les renversements de produits acides et sucrés détériorent l'émail. Nettoyez-les immédiatement. • Les produits nettoyants abrasifs utilisés trop vigoureusement ou trop souvent peuvent rayer l'émail. • Faites attention lorsque vous cuisinez avec des poêlons et casseroles en aluminium et en cuivre, car ces types d'ustensiles laissent parfois des dépôts métalliques sur les grilles.
Plateau à graisse de la plaque / Aluminium avec revêtement antiadhésif		
 <p>Plateau récupérateur de graisse</p> <p>Soulever la poignée et retirer le plateau</p>	<ul style="list-style-type: none"> • Enlevez le plateau à graisse et versez la graisse dans un contenant adéquat avant de vous en débarrasser. Lavez le plateau à graisse dans de l'eau savonneuse chaude ou mettez-le au lave-vaisselle. • Nettoyez le plateau à graisse après chaque usage. • Lavable au lave-vaisselle. • Lavez-le dans de l'eau chaude avec du détergent; rincez puis séchez. • Résidus récalcitrants : Soft Scrub^{mc} 	<ul style="list-style-type: none"> • Videz le plateau à graisse après chaque usage. • Retirez le plateau une fois que la graisse a refroidi. Faire attention à ne pas trop remplir le plateau pour éviter qu'il se renverse au moment de l'enlever.
Plaque / Aluminium avec revêtement antiadhésif		
 <p>Plateau récupérateur de graisse</p> <p>Soulever la poignée et retirer le plateau</p>	<ul style="list-style-type: none"> • Lavez la surface de la plaque ou du gril à l'eau tiède savonneuse puis rincez-le à l'eau tiède. Essuyez avec un chiffon doux. • Si des résidus d'aliments collent, nettoyez-les avec un produit nettoyant abrasif doux comme du Soft Scrub^{mc}. 	<ul style="list-style-type: none"> • Ne rincez jamais à l'eau froide. La plaque d'aluminium pourrait se déformer ou se fissurer. • Ne nettoyez pas dans le four autonettoyant.
<p>Portes Extérieur, cadre, poignée Acier inoxydable</p>	<p>Prenez garde de ne pas laisser les produits nettoyants et l'eau entrer dans les orifices de la porte : l'eau pourrait causer de petites stries dans le verre intérieur. Consultez la section Finition externe/Dosseret.</p>	

PIÈCE/MATÉRIAU	PRODUITS NETTOYANTS SUGGÉRÉS	RAPPELS IMPORTANTS
Plateaux collecteurs/bandes de finition de la surface Porcelaine émaillée (fini lustré)	<p>Un nettoyant comme du Soft Scrub^{mc} peut être utilisé. Appliquez avec une éponge ou un chiffon humide selon les instructions du fabricant. Bien rincer et assécher avec un chiffon doux.</p> <p>Si vous utilisez un produit comme Bar Keeper's Friend^{mc}, Bon-ami^{mc}, Comet^{mc} ou Ajax^{mc}, appliquez-le avec une éponge ou un chiffon humide selon les instructions du fabricant. Frottez sans trop mettre de pression, car ces produits peuvent égratigner le fini. Rincez soigneusement et séchez avec un chiffon doux.</p> <p>Pour les aliments brûlés, vous pouvez utiliser une laine d'acier ou un tampon savonneux, comme S.O.S.^{mc} ou Brillo^{mc}. Mouillez le tampon et frottez délicatement. Faites attention pour ne pas endommager le fini. Rincez soigneusement et séchez avec un chiffon doux.</p>	
Grille/base de la lèchefrite Porcelaine émaillée	<p>NE NETTOYEZ PAS DANS LE FOUR AUTONETTOYANT</p> <p>Pour détacher les résidus d'aliments, saupoudrez la grille quand elle est encore chaude avec un nettoyant en poudre pour la lessive ou aspergez-la d'un produit liquide, puis couvrez-la avec des serviettes en papier mouillées. Laissez reposer.</p> <p>Eau chaude savonneuse.</p> <ul style="list-style-type: none"> Lavez, rincez soigneusement, puis séchez. <p>Produits nettoyants : Soft Scrub^{mc}.</p> <ul style="list-style-type: none"> Appliquez à l'aide d'une éponge ou d'un chiffon humide selon les indications du fabricant. Rincez et séchez. <p>Produit nettoyant en poudre : Bon-ami^{mc}, Comet^{mc}, Ajax^{mc}.</p> <ul style="list-style-type: none"> Appliquez à l'aide d'une éponge ou d'un chiffon humide selon les indications du fabricant. Frottez doucement en prenant garde de ne pas rayer la surface. Rincez soigneusement et séchez. <p>Tampons métalliques à récurer ou savonneux : S.O.S.^{mc}, Brillo^{mc}.</p> <ul style="list-style-type: none"> Mouillez le tampon, frottez légèrement en prenant garde de ne pas rayer la surface. Rincez soigneusement et séchez. 	
Joint d'étanchéité Joint de porte	<p>Produits nettoyants génériques pour cuisines : Formula 409^{mc}, Fantastik^{mc}. Vaporisez et essuyez le produit avec un chiffon. Ne frottez pas. Ne déplacez pas, n'enlevez pas et n'endommagez pas le tissu à mailles.</p>	
Cavité Porcelaine émaillée sur acier	<p>La porcelaine émaillée est résistante, mais n'est pas à l'épreuve des acides. Les aliments acides comme les jus d'agrumes, le jus de tomates, le jus de rhubarbe, l'alcool ou le lait doivent être essuyés et ne pas recuire sur la porcelaine au cours de l'usage suivant. Au bout d'un certain temps, la porcelaine risque de se fissurer (petites lignes fines comme des cheveux).</p> <p>Eau chaude savonneuse.</p> <ul style="list-style-type: none"> Lavez, rincez soigneusement, séchez. <p>Produits d'entretien doux : Bon-ami^{mc}, ammoniac ou ammoniac et eau, Soft Scrub^{mc}</p> <ul style="list-style-type: none"> Appliquez sur une éponge ou un chiffon humide. Frottez légèrement. Rincez soigneusement. Séchez. Si des aliments ont brûlé dans le four et sont difficiles à retirer, détrempez-les à l'aide d'un chiffon saturé d'ammoniac ménager. Fermez la porte et laissez agir pendant une heure ou deux ou jusqu'à ce qu'il soit possible d'enlever ces résidus à l'aide d'un chiffon humide savonneux ou d'un produit d'entretien doux. Vous pouvez aussi préparer une solution d'environ 3 cuillères à soupe d'ammoniac ménager dissout dans une demi-tasse d'eau, que l'on laisse dans le four tiède toute la nuit. Les résidus et les débordements durcis seront ainsi détrempés et plus faciles à ôter. De l'ammoniac peut être mélangé à de l'eau chaude pour bien laver le four. 	

Entretien à faire soi-même

Changement de l'ampoule du four



ATTENTION :

- Assurez-vous que l'appareil et les lampes sont froids et que l'alimentation de l'appareil est coupée avant de remplacer les ampoules électriques, sans quoi vous pourriez vous blesser ou recevoir une décharge électrique.
- Les couvercles doivent être en place lorsque vous utilisez l'appareil.
- Les couvercles servent à empêcher les ampoules de se briser.
- Les couvercles sont faits de verre. Manipulez-les avec soin pour éviter de les briser. Les éclats de verre peuvent causer des blessures.
- La douille est sous tension lorsque la porte est ouverte.

Remplacez l'ampoule exclusivement par une ampoule recommandée pour cuisinière. N'UTILISEZ PAS une ampoule standard à usage domestique dans le four. Appelez le centre de service à la clientèle de THERMADOR^{mc} au 1-800-735-4328 ou le détaillant THERMADOR le plus près de chez vous pour vous informer des ampoules à utiliser avec votre cuisinière. Vous devrez connaître le numéro de série de votre cuisinière.

Remplacement de l'ampoule:

Pour des ampoules de remplacement, vous pouvez utiliser toutes les ampoules commerciales ayant les spécifications suivantes : **120 ou 130 VCA, 50 W max., base G8, halogène**. Utilisez un linge propre et sec pour manipuler les ampoules halogènes. Cela augmentera leur durée de vie.

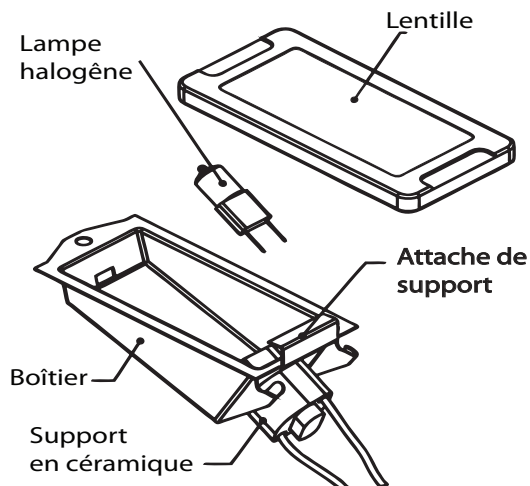


Figure 32 : Assemblage de la lampe du four

1. Coupez l'alimentation du disjoncteur.
2. Enlevez les grilles du four.
3. Insérez la pointe d'un tournevis plat entre l'attache de fixation et le boîtier de la lampe (Figure 33, A).

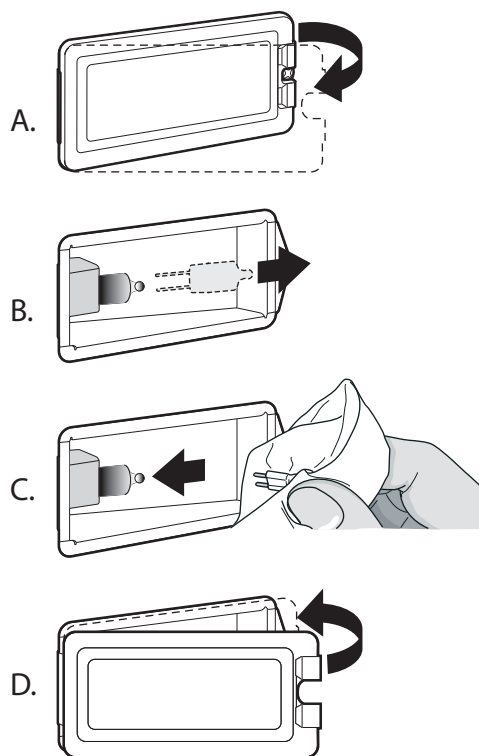


Figure 33 : Emplacement de l'ouverture

4. Soutenez le couvercle de la lentille de verre avec deux doigts le long du rebord inférieur pour empêcher qu'il tombe sur le plancher du four.
5. Tournez doucement le tournevis plat pour détacher le couvercle de la lentille de verre.
6. Enlevez le couvercle de la lentille de verre (Figure 33, B).
7. Retirez l'ampoule en la saisissant et la faisant glisser vers l'arrière jusqu'à ce que les deux broches sortent du support en céramique.
8. Ne touchez pas au verre de la nouvelle ampoule de remplacement avec vos doigts, sans quoi elle ne fonctionnera pas lorsque vous l'allumerez. Prenez l'ampoule de remplacement avec un linge sec et propre. Localisez les deux fentes du support de céramique en y poussant doucement les deux broches de l'ampoule (Figure 33, C).
9. Tirez vers le bas pour bien installer l'ampoule.
10. Faites glisser la lentille de protection dans l'attache du support et poussez l'autre extrémité jusqu'à ce que l'attache de fixation s'enclenche dans le boîtier.
11. Rallumez le disjoncteur (Figure 33, D).

Panne de courant

En cas de panne de courant, seuls les brûleurs standards peuvent être allumés manuellement. Il est nécessaire d'allumer chaque brûleur standard individuellement.

Si vous voulez utiliser la table de cuisson de la cuisinière pendant une panne de courant, tournez tous les boutons de commande des brûleurs à la position **OFF**. Approchez une allumette de l'orifice du brûleur standard et tournez le bouton de commande à la position **HI**. Attendez que la flamme brûle tout autour du chapeau du brûleur avant de la régler à l'intensité voulue.

Les deux brûleurs ExtraLow^{mc} du côté gauche de la cuisinière ne peuvent pas être utilisés pendant une panne de courant. Assurez-vous de les éteindre si une panne de courant survient, car ils ne se rallumeront pas tant que les boutons de contrôle ne seront pas à position **OFF**, puis rallumé.

Si la pression de l'arrivée de gaz est faible, communiquez avec votre compagnie de gaz.

Production intermittente ou constante d'étincelles par l'allumeur

La production intermittente ou constante d'étincelles au niveau des brûleurs hermétiquement encastrés de la table de cuisson peut être due à des facteurs qu'il est possible d'éviter. Éliminez ces facteurs comme indiqué dans le tableau.

SYMPTÔME	CAUSE	SOLUTION
Production intermittente d'étincelles	<ul style="list-style-type: none">• L'allumeur en céramique est mouillé ou sale.• Les orifices du brûleur sont bouchés.	<ul style="list-style-type: none">• Séchez ou nettoyez soigneusement l'allumeur.• Nettoyez les orifices de répartition de la flamme à l'aide d'un fil métallique, d'une aiguille ou d'un trombone déplié.
Plus de quatre déclics de l'allumeur avant que la flamme ne s'allume	<ul style="list-style-type: none">• Le chapeau du brûleur est mal posé sur sa base.	<ul style="list-style-type: none">• Alignez bien le chapeau du brûleur sur la base du brûleur.
Production constante d'étincelles	<ul style="list-style-type: none">• La mise à la terre de la cuisinière a été mal faite.• L'alimentation électrique est mal polarisée.	<ul style="list-style-type: none">• Consultez le manuel d'installation. Appelez un électricien qualifié pour qu'il effectue la mise à la terre adéquate de la cuisinière.• Consultez les instructions d'installation. Appelez un électricien qualifié pour qu'il effectue une mise à la terre adéquate pour la cuisinière.

Avant d'appeler le service technique

Avant d'appeler le service technique, vérifiez les points suivants afin d'éviter des frais inutiles.

Vérifiez d'abord les points suivants :

- Y a-t-il une panne de courant dans le voisinage?
- Les fusibles ont-ils sauté ou le disjoncteur s'est-il déclenché?
- La cuisinière est-elle débranchée?

Si les brûleurs ne s'allument pas

- Les chapeaux des brûleurs sont-ils correctement alignés et posés sur les bases des brûleurs?
- Les orifices des brûleurs sont-ils bouchés?
- Un fusible a-t-il sauté ou le disjoncteur s'est-il déclenché?
- Le robinet manuel de coupure du gaz est-il fermé, empêchant l'arrivée de gaz?

Plaque signalétique

La plaque signalétique indique le modèle et le numéro de série de votre cuisinière. Elle est située sur le cadre, derrière la porte du four (voir illustration).

Les schémas de câblage électrique et les dessins placés dans la zone de la base ne doivent pas être enlevés sauf par un technicien de service. Remettez en place après l'entretien.



MISE EN GARDE :

Avant d'ôter la plaque d'habillage, débranchez l'alimentation électrique de la cuisinière. Réinstallez la plaque de base avant de rebrancher l'alimentation électrique de la cuisinière et de l'utiliser.

Information pour le service technique

Afin de conserver ces données à portée de main, recopiez ici les renseignements figurant sur la fiche signalétique. Conservez votre facture pour que votre garantie soit valide.

Numéro du modèle _____

Numéro de série _____

Date d'achat _____

Nom du détaillant _____

Numéro de téléphone du marchand _____

Nom du centre de service _____

Numéro de téléphone du centre de service _____

Complétez également la carte d'enregistrement du produit comprise avec ce produit et postez-la à l'adresse indiquée.

Enregistrez votre appareil auprès de BSH afin de vous assurer un service rapide et l'accès aux renseignements qui concernent votre appareil. Vous pouvez enregistrer votre appareil de l'une des façons suivantes :

1. Envoyez par la poste votre carte d'enregistrement de produit THERMADOR^{mc} complétée.
2. Enregistrez votre produit en ligne à l'adresse www.thermador.ca.
3. Communiquez avec le service à la clientèle de THERMADOR au numéro 1-800-735-4328.

Plaques signalétiques situées à l'intérieur du panneau latéral, visibles lorsque la porte est ouverte.

Plaques signalétiques et schémas de câblage situés derrière la plinthe.

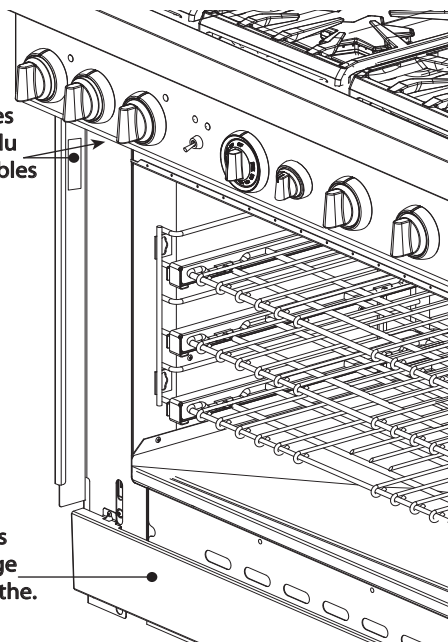


Figure 34 : Emplacement plaque signalétique et diagramme de câblage (porte du four non illustrée)

Énoncé de Garantie Limitée du Produit

Couverture de la garantie et à qui elle s'applique

La garantie limitée offerte par BSH Home Appliances Corporation (BSH) dans cet énoncé de garantie limitée du produit ne s'applique qu'à l'appareil THERMADOR^{mc} qui vous a été vendu, à titre de premier acheteur, pourvu que le produit ait été acheté :

- Pour une utilisation domestique normale (non commerciale) et qu'il n'ait été utilisé qu'à des fins domestiques normales.
- Neuf au détail (qu'il ne soit pas un modèle précédemment retourné, un modèle « tel-quel » ou un modèle de plancher) et non destiné à la revente ou à un usage commercial.
- Aux États-Unis ou au Canada, et qu'il soit demeuré en tout temps dans le pays de l'achat d'origine.

Les garanties énoncées dans les présentes ne s'appliquent qu'au premier acheteur du produit et ne sont pas transférables.

Veillez vous assurer de retourner votre carte d'enregistrement ; bien que ce ne soit pas indispensable à la couverture de garantie. C'est toutefois le meilleur moyen pour BSH de communiquer avec vous, dans le cas peu probable d'un rappel de produit ou d'un avis de sécurité.

Durée de la garantie

Produit fabriqué avant le 1^{er} janvier 2012 dont le numéro est égal ou inférieur à FD911299999 : BSH garantit que le produit est exempt de défauts autant dans les matériaux que dans la main-d'œuvre pour une période de (365) jours à partir de la date d'achat. Cette période commence dès la date de l'achat et ne peut pas être arrêtée, prolongée ou suspendue pour quelque raison que ce soit.

Produit fabriqué après le 1^{er} janvier 2012 dont le numéro est égal ou supérieur à FD920100000 : BSH garantit que le produit est exempt de défauts autant dans les matériaux que dans la main-d'œuvre pour une période de sept cent trente (730) jours à partir de la date d'achat. Cette période commence dès la date de l'achat et ne peut pas être arrêtée, prolongée ou suspendue pour quelque raison que ce soit.

Réparation ou remplacement comme recours exclusif

Durant cette période de garantie, BSH ou l'un de ses fournisseurs de service autorisés réparera votre appareil sans frais (sujet à certaines limitations établies dans les présentes) s'il est prouvé qu'une défectuosité dans les matériaux ou la main-d'œuvre affecte le fonctionnement de votre appareil. Si tous les efforts entrepris pour réparer l'appareil ont échoués, BSH remplacera votre appareil (un modèle plus récent pourrait vous être livré, à la seule discrétion de BSH, pour des frais additionnels). Toutes les pièces et composants deviendront la propriété de BSH. Toutes les pièces remplacées et/ou réparées assumeront l'identité de la pièce d'origine aux fins de cette garantie et cette garantie ne sera pas prolongée suite au remplacement de ces pièces. La seule responsabilité de BSH telle que décrite dans les présentes est de réparer un produit défectueux à la fabrication, en mandatant un fournisseur de service autorisé de BSH durant les heures d'affaire. Pour des raisons de sécurité et de dommages aux biens, BSH recommande de ne pas tenter de réparer vous-même le produit ou d'employer un fournisseur de services non autorisé. BSH n'accepte aucune responsabilité pour les réparations ou le travail effectué par un fournisseur de service non autorisé. Si vous acceptez qu'une personne autre qu'un fournisseur de service autorisé travaille à réparer votre produit, CETTE GARANTIE DEVIENDRA AUTOMATIQUEMENT NULLE ET NON AVENUE. Les fournisseurs de service autorisés sont les personnes morales ou sociétés spécialement formées pour réparer les produits BSH et qui possèdent, selon BSH, une réputation supérieure au niveau du service à la clientèle et des compétences techniques (notez qu'il s'agit d'entités indépendantes et non d'agents, partenaires, sociétés affiliées ou représentants de BSH). En dépit des énoncés ci-dessus, BSH n'accepte aucune responsabilité pour un appareil se trouvant dans une région éloignée (à plus de 200 km d'un fournisseur de service autorisé), ou dans un lieu ou un environnement inaccessible, dangereux, menaçant ou hasardeux ; dans un tel cas, si vous le demandez, BSH paiera pour les pièces et la main-d'œuvre, et expédiera le tout au fournisseur de service autorisé le plus près. Vous serez toutefois entièrement responsable des frais de déplacement ou autres frais spéciaux engagés par la société de service, assumant que cette dernière accepte d'effectuer la réparation.

Appareil hors garantie

BSH n'est assujettie à aucune obligation, au titre de la loi ou autrement, de vous offrir des concessions, incluant les réparations, prorata ou remplacement de produit une fois cette garantie expirée.

Exclusions de la garantie

La garantie décrite dans les présentes exclut toutes les défauts ou dommages qui ne sont pas du fait direct de BSH, incluant, mais sans s'y limiter, un ou plusieurs des éléments suivants :

- Utilisation du produit pour quelque raison autre que son usage normal de la façon prévue (incluant mais sans s'y limiter, toute forme d'usage commercial, d'usage ou d'entreposage d'appareils pour l'intérieur à l'extérieur, d'usage de l'appareil avec tout moyen de transport maritime ou aérien).
- Toute conduite inappropriée, négligence, mauvais usage, abus, accident, utilisation inadéquate, absence d'entretien, installation inadéquate ou négligente, modification, non-respect des instructions d'utilisation, manutention inappropriée, réparations non autorisées (incluant les réparations « maison » ou l'exploration des mécanismes internes de l'appareil).
- L'ajustement, l'altération ou la modification de toute forme que ce soit.
- Le non-respect des codes du bâtiment, règlements ou lois de la ville, de la province ou du pays en matière d'électricité, de plomberie, incluant une installation non conforme aux règlements et codes du bâtiment et des services d'incendie.
- L'usure normale, les déversements d'aliments ou de liquides, les accumulations de graisse ou d'autres substances qui s'accumulent sur, dans ou autour de l'appareil.
- Toute force et facteur extérieur causé par les éléments ou l'environnement, incluant, mais sans s'y limiter, la pluie, le vent, le sable, les inondations, les coulées de boue, les températures extrêmes, l'humidité excessive ou l'exposition prolongée à l'humidité, la foudre, les pannes de courant, les défaillances structurales autour de l'appareil et les catastrophes naturelles.

En aucun cas BSH ne peut être tenu responsable de dommages aux biens environnants, incluant les armoires de cuisine, les planchers, les plafonds et toute autre structure ou objet entourant l'appareil. Également exclus de cette garantie sont les éraflures, entailles, bossellements mineurs et dommages cosmétiques des surfaces externes et parties exposées ; les appareils dont les numéros de série ont été modifiés, effacés ou rendus illisibles ; les visites de service visant à vous enseigner comment utiliser l'appareil ou les visites qui ne révèlent aucune défaillance à l'appareil ; la correction des problèmes d'installation (vous êtes seul responsable de la mise en place de l'appareil, notamment au niveau de l'électricité, de la plomberie et des autres installations de raccordement, des fondations et planchers et des modifications incluant, mais sans s'y limiter, les armoires, les murs, les planchers, les étagères, etc.) et le réenclenchement des disjoncteurs ou le changement des fusibles.

SELON LES LIMITES PERMISES PAR LA LOI, CETTE GARANTIE VOUS ACCORDE DES RECOURS EXCLUSIFS RELATIVEMENT AU PRODUIT, QUE LA RÉCLAMATION SURVIENNENT DE PAR LE CONTRAT OU PAR DÉLIT CIVIL (INCLUANT LA RESPONSABILITÉ STRICTE OU LA NÉGLIGENCE) OU DE TOUTE AUTRE FAÇON. CETTE GARANTIE REMPLACE TOUTE AUTRE GARANTIE, QU'ELLE SOIT EXPRESSE OU IMPLICITE. TOUTE GARANTIE IMPLICITE EN VERTU DE LA LOI, QU'ELLE CONCERNE LA QUALITÉ MARCHANDE OU L'ADAPTATION À DES FINS PARTICULIÈRES, OU AUTREMENT, NE SERA EN VIGUEUR QUE POUR LA PÉRIODE PENDANT LAQUELLE LA GARANTIE EXPRESSE LIMITÉE EST EN VIGUEUR. EN AUCUN CAS LE FABRICANT NE PEUT ÊTRE TENU RESPONSABLE DES DOMMAGES INDIRECTS, PARTICULIERS, CONSÉCUTIFS, DÉCOULANT D'UNE « PERTE COMMERCIALE » ET/OU PUNITIFS, DES PERTES OU DÉPENSES, INCLUANT, MAIS SANS S'Y LIMITER, LE TEMPS PASSÉ LOIN DU TRAVAIL, LES HÔTELS ET/OU LES REPAS AU RESTAURANT, LES FRAIS DE REMODELAGE QUI DÉPASSENT LES DOMMAGES DIRECTS DÉFINITIVEMENT ET EXCLUSIVEMENT CAUSÉS PAR BSH OU AUTREMENT. CERTAINS ÉTATS OU PROVINCES NE PERMETTENT PAR L'EXCLUSION OU LA LIMITATION DES DOMMAGES CORRÉLATIFS OU IMPRÉVUS ET CERTAINS ÉTATS OU PROVINCES NE PERMETTENT PAS D'ACCORDER UNE LIMITE DE DURÉE À LA GARANTIE IMPLICITE. PAR CONSÉQUENT LES LIMITATIONS CI-DESSUS POURRAIENT NE PAS S'APPLIQUER À VOUS. CETTE GARANTIE VOUS ACCORDE DES DROITS LÉGAUX SPÉCIFIQUES ET VOUS POURRIEZ ÉGALEMENT DISPOSER D'AUTRES DROITS QUI VARIENT D'UN ÉTAT À L'AUTRE ET D'UNE PROVINCE À L'AUTRE.

Aucune tentative de modifier ou d'amender cette garantie ne sera considérée comme applicable à moins qu'elle n'ait été autorisée par écrit par un responsable de BSH.

Índice de Materias

Seguridad	1	Usar la hornilla	23
Antes de Comenzar	7	Hornear	23
Descripción	10	Convección	24
Modelo y Identificación de 48 Partes	10	Ajustar el horneado / horneado por convección / Horneado extendido	26
Modelo y Identificación de 36 Partes	11	Otros usos del horneado	28
Modelo y Identificación de 30 Partes	11	Asar	28
Usar la parrilla	12	Recomendaciones para asar y tostar	30
Recomendaciones para los utensilios de cocina	17	Cuidado y mantenimiento	31
Utensilios especiales para cocinar	18	Limpieza de la estufa	31
Recomendaciones para cocinar con los quemadores	19	Recomendaciones de limpieza	32
Acerca de la plancha eléctrica	21	Mantenimiento hecho por usted mismo	35
Recomendaciones para cocinar con la plancha	22	Antes de solicitar servicio	37
		Declaración de garantía limitada del producto	38
		Servicio, piezas y accesorios THERMADOR®	contraportada

Este electrodomestico de THERMADOR® está hecho por
BSH Home Appliances Corporation
1901 Main Street, Suite 600
Irvine, CA. 92614

¿Preguntas?

1-800-735-4328

www.thermador.com

¡Esperamos oír de usted!

Seguridad



INSTRUCCIONES IMPORTANTES DE SEGURIDAD LEA Y GUARDE ESTAS INSTRUCCIONES

ADVERTENCIA:

Si no sigue rigurosamente la información contenida en este manual podría provocar un incendio o una explosión, y como resultado daños a la propiedad, lesiones o la muerte.

- No guarde o use materiales combustibles, gasolina u otros productos inflamables, bajo cualquier tipo de forma, cerca de este o cualquier otro aparato.
- QUÉ HACER EN CASO DE OLER A GAS
 - No trate de encender ningún aparato.
 - No toque ningún interruptor eléctrico.
 - No use ningún teléfono en su casa.
 - Llame de inmediato a su proveedor de gas desde el teléfono de algún vecino y siga las instrucciones de su proveedor de gas.
 - Cuando no pueda localizar a su proveedor de gas, llame a los bomberos.
- Un instalador cualificado, una agencia de servicio autorizada o el proveedor de gas debe realizar la instalación y el servicio.

ADVERTENCIA:



Un niño o un adulto podrían volcar el aparato y perder la vida. Asegúrese de que el dispositivo antivuelco esté instalado adecuadamente y que su soporte sujete la pata del aparato al reinstalarlo en su sitio.

No utilice el aparato si el dispositivo antivuelco no está instalado. El hecho de no leer las instrucciones de este manual puede causar la muerte o graves quemaduras a niños y adultos.

Asegúrese de que el soporte antivuelco esté bien instalado y debidamente utilizado. Vuelque la estufa con cuidado hacia delante, tirando de la parte trasera, para asegurarse de que la pata de la estufa esté insertada en el dispositivo antivuelco e impida los vuelcos. La estufa no debería poder moverse más de una pulgada (2,5cm).

Requisitos de instalación acerca del suministro de gas y de la alimentación eléctrica e instrucciones para la toma de tierra.

Verificación del tipo de gas

Verifique el tipo de gas suministrado en el lugar. Asegúrese que el aparato esté conectado al tipo de gas para el cual está certificado. Los modelos vienen de fábrica con certificado para el uso con gas natural o con gas propano (LP). Asegúrese que su estufa y tipo de gas sean el mismo. Consulte la etiqueta con información de producto que se encuentra como se indica en la *página 37*.

PRECAUCIÓN:

Cuando conecte el aparato con gas propano, asegúrese de que el tanque de gas propano venga con su propio regulador de alta presión además del regulador de presión que se incluye con la estufa. **La máxima presión de gas de este aparato no debe exceder 14,0 pulgadas de columna de agua (34 mb) del tanque de gas propano al regulador de presión.**

IMPORTANTE:

Cuando se instala sobre una superficie combustible, se debe usar una consola trasera baja o un estante alto. Se debe comprar por separado una consola trasera baja o un estante alto THERMADOR®. Para obtener más información, consulte el manual de instalación proporcionado con este aparato.

Cuando se utiliza el adorno de isla THERMADOR, hace falta un espacio libre trasero mínimo de 12 pulg. (305 mm) entre el aparato y la superficie combustible. Los espacios libres para las materias no combustibles no forman parte de la norma ANSI Z21.1 y no están certificados por la CSA. Los códigos locales o la autoridad local competente deben aprobar los espacios libres de menos de 12 pulg. (305 mm).

Avant d'utiliser la cuisinière, assurez-vous qu'elle est munie d'un dossier adéquat. Consultez les instructions d'installation qui accompagnent cet appareil pour obtenir de plus amples renseignements.



INSTRUCCIONES IMPORTANTES DE SEGURIDAD

LEA Y GUARDE ESTAS INSTRUCCIONES

ADVERTENCIA:

Para evitar un posible riesgo de quemaduras o fuego se debe instalar una consola trasera de protección diseñada específicamente para esta estufa antes de utilizarla.

PRECAUCIÓN:

¡El estante alto puede calentarse mucho! NO coloque encima de este estante:

- plásticos o contenedores que se puedan derretir
- artículos inflamables
- una carga de más de 30 libras (13,6 kg).

30" Modelo del gas:

120 voltios, 60 Hz., Se requiere un circuito eléctrico de 10 Amp.

36" Modelo del gas:

1120 voltios, 60 Hz., Se requiere un circuito eléctrico de 10 Amp. 36" de alcance de gas con plancha eléctrica — Se requiere un circuito eléctrico de 20 Amp.

Modelos con gas de 48 pulg.:

120 voltios, 60 Hz., se requiere un circuito eléctrico de 20 amperios.

ADVERTENCIA:

QUITE SIEMPRE EL ENCHUFE ELÉCTRICO DEL ENCHUFE DE LA PARED ANTES DE DAR SERVICIO A LA ESTUFA.

PRECAUCIÓN:

POR CUESTIÓN DE SEGURIDAD PERSONAL, ESTE APARATO DEBE ESTAR CONECTADO A UNA ALIMENTACIÓN ELÉCTRICA POLARIZADA CON UNA TOMA DE TIERRA ADECUADA.

Recomendamos proporcionar un circuito dedicado para alimentar este aparato. Vea las instrucciones de instalación para conocer los requisitos de alimentación eléctrica y de toma de tierra.

El uso de estufas de gas produce calor y humedad.

PRECAUCIÓN:

EN CASO DE FALLO ELÉCTRICO

Si por algún motivo una perilla de gas está prendida y no hay corriente eléctrica para operar los encendedores eléctricos en los quemadores de gas de la estufa, **apague la perilla de control y espere 5 minutos** para que se disipe el gas antes de prender el quemador manualmente.

Para prender los quemadores manualmente, sostenga un cerillo prendido cerca de los orificios del quemador y gire la perilla de control de gas a HI.

Durante un fallo de luz, usted puede usar los quemadores estándares de la estufa, pero los debe encender con un cerillo.

NO trate de encender los dos quemadores XLO[®] de la izquierda y los dos quemadores XLO de la derecha manualmente. Estos quemadores vienen equipados con la opción ExtraLow[®] y no se pueden encender manualmente.

Es responsabilidad y obligación del usuario asegurarse de que un electricista cualificado conecte este aparato a la alimentación eléctrica conforme al código eléctrico nacional y/o a los códigos y regulaciones locales vigentes

PROBADO CONFORME A:

- ANSI Z21.1 – norma americana para aparatos domésticos de gas
- UL 858 – norma de seguridad para estufas eléctricas domésticas
- CAN/CSA-C22.2 No 61 – norma canadiense para estufas domésticas
- CAN/CGA1.1-M81 – estufas domésticas de gas

Consulte los códigos locales que se apliquen a su caso de construcción para un correcto método de instalación. Si no hay códigos locales, se debe instalar esta unidad conforme al Código Nacional de Gas americano No. Z223.1, edición actual, y el Código Eléctrico Nacional americano ANSI/NFPA No. 70, edición actual, o bien al Código de instalación Can - B149 para aparatos de gas y al Código Eléctrico Canadiense C22.1 Parte 1.

Incumbe al dueño y al instalador determinar si requisitos o normas adicionales se aplican a la instalación específica.



INSTRUCCIONES IMPORTANTES DE SEGURIDAD

LEA Y GUARDE ESTAS INSTRUCCIONES

Prácticas de seguridad para evitar lesiones

Con el cuidado adecuado, su nueva estufa PROFESSIONAL® de THERMADOR ha sido diseñada para ser un aparato seguro y fiable. Sin embargo, tenga mucho cuidado cuando use esta estufa de tamaño comercial ya que este tipo de aparato genera mucho calor. Cuando use aparatos de cocina, se deben tener en cuenta precauciones básicas, incluyendo las siguientes:

Lea atentamente este manual de uso y cuidado antes de usar su nueva estufa para reducir el riesgo de fuego, de descarga eléctrica o de lesiones.

Se deben efectuar correctamente la instalación y el mantenimiento de este aparato. Siga las instrucciones de instalación que se incluyen con el producto. Asegúrese de que un técnico cualificado instale el aparato y haga la toma de tierra de la estufa.

Pídale al instalador que le muestre dónde se encuentra la válvula de cierre de gas y el disyuntor, de manera que usted sepa cómo y dónde apagar el suministro de gas y la alimentación eléctrica de la estufa.

En el caso de que haya un escape de gas en un quemador, abra una ventana o una puerta. No intente usar la estufa antes de que el gas se haya disipado. Espere como mínimo cinco minutos antes de usar la estufa.

No repare o reemplace ninguna parte del aparato a menos que haya sido recomendado específicamente en este manual. Para cualquier otro servicio, contrate a un técnico cualificado.

Nunca se deben dejar solos a niños en un área donde se use un aparato. Nunca se les debe permitir sentarse o subir sobre ninguna parte de la estufa. Cuando se les permita usar la estufa a los niños, éstos deben estar supervisados de cerca por un adulto.

PRECAUCIÓN:

No almacene objetos de interés para los niños encima de la estufa o en la parte trasera de ésta. Podrían subir sobre la estufa para alcanzarlos y sufrir heridas serias.

Nunca use ninguna parte de la estufa o de la hornilla para almacenar cosas. Los materiales inflamables pueden arder y los artículos de plástico pueden derretirse o quemarse.

No cuelgue artículos de ninguna parte del aparato y no apoye nada contra la hornilla. Algunas telas son muy inflamables y pueden prender fuego.

ADVERTENCIA:

PARA REDUCIR LOS RIESGOS DE INCENDIO DE LA GRASA:

- Nunca deje la estufa sin atención cuando cocine a fuego alto. Los derrames causan humo y la grasa derramada puede arder. Caliente el aceite lentamente, a fuego lento o medio.
- Siempre encienda la campana cuando cocine a fuego alto o flamee alimentos (p.e. crepes Suzette, cerezas al jubileo, carne flameada a la pimienta).
- Limpie los ventiladores frecuentemente. No deje que la grasa se acumule sobre los ventiladores o los filtros.
- Use ollas de tamaño adecuado. Siempre use utensilios de cocina adecuados para el tamaño del fogón o del quemador.

Si la estufa está cerca de una ventana, asegúrese de que las cortinas no alcancen los quemadores de la estufa ya que podrían arder.

Asegúrese de que siempre haya un detector de humo que funcione cerca de la cocina.

Si sus prendas o sus cabellos prenden fuego, tírese al suelo inmediatamente y dé vueltas para apagar las llamas.

Tenga un extintor apropiado a su disposición, cerca, muy visible y fácilmente accesible al lado del aparato.

Sofoque las llamas de los alimentos ardiendo, que no sea fuego de grasa, con bicarbonato sódico. Nunca utilice agua en incendios de cocina.

Cuando sea posible, apague el sistema de ventilación si hay fuego en su estufa. No intente alcanzar las perillas a través del fuego para apagarlas.

Cuando los niños lleguen a la edad suficiente para operar el aparato, es responsabilidad legal de los padres o de los tutores legales asegurar que personas cualificadas los instruyan sobre prácticas seguras.

Nunca permita el contacto de ropa, asas de ollas u otros materiales inflamables con ningún quemador infrarrojo, quemador superior o rejilla del quemador hasta que se haya enfriado. Las telas pueden encenderse y causar lesiones serias.



INSTRUCCIONES IMPORTANTES DE SEGURIDAD

LEA Y GUARDE ESTAS INSTRUCCIONES

Siempre use asas secas para las ollas: Las asas mojadas o húmedas pueden causar quemaduras por el vapor. No use una toalla u otro trapo que estorbe en lugar de las asas. No permita que las asas toquen rejillas de quemadores, quemadores infrarrojos, o quemadores calientes.

ADVERTENCIA:

PARA REDUCIR LOS RIESGOS DE LESIONES, EN EL CASO DE UN INCENDIO DE GRASA, LEA LO SIGUIENTE:

- **SOFOQUE LAS LLAMAS** con una tapa ajustada, una hoja u otra bandeja metálica, luego apague el quemador de gas o el fogón. **TENGA CUIDADO** de no quemarse. Si las llamas no desaparecen enseguida, **EVACUE LA COCINA Y LLAME EL SERVICIO DE INCENDIOS.**
- **NUNCA TOME UNA SARTÉN EN LLAMAS** – Podría quemarse.
- **NO USE AGUA** o un trapo o una toalla mojada: se producirá una explosión de vapor.
- Use un extintor **SÓLO** si:
 - Sabe que tiene un extintor de tipo ABC y sabe cómo usarlo.
 - El fuego es pequeño y se limita al sitio donde comenzó.
 - Ya ha llamado al servicio de incendios
 - Puede luchar contra el fuego y tiene acceso a una salida.

ADVERTENCIA:

NUNCA utilice esta unidad para calentar un cuarto. Podría provocar una intoxicación por monóxido de carbono y sobrecalentamiento de la hornilla.

Por cuestiones de seguridad use ropa adecuada. No use ropa holgada o mangas que cuelguen cuando use este aparato. Algunas telas sintéticas son muy inflamables y no deben usarse cuando cocina.

ADVERTENCIA:

El aparato sirve para cocinar. Basado en consideraciones de seguridad, nunca use la hornilla o la estufa para calentar una habitación. Además, tal uso puede dañar las partes de la estufa o de la hornilla.

ADVERTENCIA:

RIESGO DE VUELCO DE LA ESTUFA

- Todas las estufas pueden volcarse y producir lesiones. Para prevenir el vuelco accidental de la estufa, fíjela a la pared, al piso o al gabinete con el dispositivo antivuelco que se incluye.
- Cuando no se instala el aparato de acuerdo con estas instrucciones, existe el riesgo de que se vuelque.
- Cuando jale la estufa de la pared por motivos de limpieza, servicio u otra razón, asegúrese de volver a insertar correctamente el dispositivo antivuelco cuando empuje la estufa contra la pared. Sino, en el caso de un uso poco normal de la estufa (por ejemplo si alguien trepa, se sienta o se apoya sobre una puerta abierta), ésta podría volcarse. El hecho de ignorar esta precaución puede causar el vuelco de la estufa, lo que podría causar lesiones debido a líquidos calientes derramados o al peso mismo de la estufa.

ADVERTENCIA:

NUNCA utilice esta unidad como un calentador para calentar el cuarto. El hacerlo puede sufrir una intoxicación por monóxido de carbono y sobrecalentamiento de la hornilla.

No use papel de aluminio para forrar ninguna parte de la hornilla o de la estufa. De lo contrario podría causar una descarga eléctrica o un fuego, o se podría obstruir el flujo del aire de combustión y de ventilación. El aluminio es un excelente aislante térmico y retiene el calor. Su utilización afectará a la cocción y podría dañar el acabado de la hornilla o de la estufa.

Cuando usa la estufa: **NO TOQUE LAS REJILLAS DE LOS QUEMADORES O EL ÁREA CERCANA.** Las áreas cercanas a los quemadores pueden calentarse suficientemente para causar quemaduras.

Nunca deje el aparato sin atención cuando cocine a muchas temperaturas. Los derrames causan humo y puede arder la grasa derramada. Además, si se sofocan las llamas de un quemador, se escapará gas a la habitación. Vea la *página 1* para tener más información sobre fugas de gas.



INSTRUCCIONES IMPORTANTES DE SEGURIDAD

LEA Y GUARDE ESTAS INSTRUCCIONES

Use solamente ciertos tipos de utensilios de vidrio, vidrio cerámico refractario, cerámica, barro u otros vidrios que estén disponibles para cocinar con los quemadores de la estufa. Este tipo de utensilio puede romperse con cambios repentinos de temperatura. Utilice solamente llama media o baja según las indicaciones del fabricante del utensilio.

No caliente recipientes cerrados. La presión acumulada puede causar que el contenedor explote y provocar lesiones.

ADVERTENCIA:

Evite el uso de llamas altas con una olla más grande que la rejilla o con una olla que abarque más de un quemador, como una plancha, por periodos largos de tiempo. Esto puede causar una mala combustión que genere derivados nocivos.

Tenga cuidado y asegúrese de que las corrientes de aire producidas por aberturas de ventilación o ventiladores no lleven material inflamable hacia las llamas o que empujen las llamas de modo que éstas se extiendan más allá de los bordes de la olla.

Siempre use ollas con un fondo plano suficientemente grandes para cubrir el quemador. El uso de ollas muy pequeñas podría dejar expuesta una parte de la llama y causar que la ropa se prenda.

Para minimizar el riesgo de quemaduras, el encendido de materiales inflamables y derrames por accidente, coloque los mangos de los utensilios hacia adentro de modo que no se extiendan encima de áreas cercanas de trabajo, áreas de cocinar o el borde de la estufa.

Agarre el mango de la olla para evitar que se mueva el utensilio cuando remueva o voltee alimentos.

No use detergentes inflamables para limpiar la estufa.

Las ollas grandes, las bandejas para galletas, etc. nunca se deben usar en la plancha.

No use la placa de la plancha para cocinar carnes muy grasas o productos que ardan fácilmente.

Quite la tabla de cortar opcional de la cubierta de la plancha antes de utilizar la plancha o los quemadores adyacentes.

LA GRASA ES INFLAMABLE. Permita que la grasa caliente se enfríe antes de tratar de manipularla. Evite la acumulación de depósitos de grasa. Limpie después de cada uso.

Para que se enciendan y funcionen correctamente los quemadores, mantenga limpios los orificios de los encendedores. Límpielos cuando haya un derrame de alimentos hervidos o cuando el quemador no se encienda bien, aunque funcione el sistema de encendido electrónico. Vea la sección “*Base de quemador de cobre y tapa de hierro colado*”.

ADVERTENCIA:

Apague el quemador después de un derrame de alimentos y limpie el área alrededor de los orificios de los quemadores. Después de la limpieza, asegúrese de que funcione normalmente.

ADVERTENCIA:

Para evitar un posible riesgo de quemaduras o fuego se debe instalar una consola trasera de protección diseñada específicamente para esta estufa antes de utilizarla.

Limpie la estufa cuidadosamente. Evite quemaduras de vapor: no use una esponja o un trapo húmedo para limpiar la estufa cuando esté caliente. Algunos detergentes producen vapores nocivos cuando son aplicados a una superficie caliente. Siga las indicaciones del fabricante del detergente.

Asegúrese de que todos los controles de la estufa estén apagados y que la plancha esté fría antes de usar algún tipo de detergente aerosol encima o alrededor de la estufa. Los químicos provocados por la acción del spray podrían inflamarse o causar la corrosión de partes metálicas en presencia de calor.

Cuando use la hornilla: no toque los quemadores infrarrojos, las superficies internas de la hornilla o el área exterior alrededor de la puerta. Las superficies internas de la hornilla se calientan suficientemente para poder causar quemaduras. El deflector de calor, que desvía el calor de la estufa y del adorno hacia arriba y hacia los lados de la puerta de la hornilla, se calienta también cuando se usa la hornilla.



INSTRUCCIONES IMPORTANTES DE SEGURIDAD

LEA Y GUARDE ESTAS INSTRUCCIONES

Coloque las rejillas de la hornilla en la posición deseada mientras que la hornilla está fría. Cuando se deba quitar una rejilla mientras que la hornilla está caliente, no permita que las agarraderas entren en contacto con el quemador infrarrojo.

Tenga cuidado al abrir la puerta de la hornilla; permita que el aire caliente o el vapor salga antes de sacar o introducir alimentos.

No debe limpiar, frotar, dañar, mover o quitar el cierre hermético de la puerta. Es esencial para un buen sellado durante el horneado. Si el cierre está gastado o muy sucio, reemplácelo para garantizar una buena estanquidad.

Escuche con atención para asegurarse de que el ventilador de enfriamiento esté siempre en funcionamiento cuando se usen las funciones BROIL o BAKE, una vez que la temperatura de la hornilla supera 300°F (149°C). Se el ventilador no funciona, no use la hornilla. Llame una agencia de servicio autorizada para obtener servicio.

Por cuestiones de seguridad y para no dañar el equipo, nunca debe sentarse, pararse o recostarse contra la puerta de la hornilla.

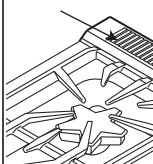
Solamente técnicos autorizados deben dar servicio. Los técnicos deben desconectar la fuente de alimentación antes de dar servicio a esta unidad.

NO OBSTRUYA el flujo del aire de combustión o de ventilación.



ADVERTENCIA:

Rejilla de ventilación de la moldura para isla



Rejilla de ventilación de la consola trasera baja

NO bloquee y **NO** obstruya las aberturas de la rejilla de ventilación. La rejilla de ventilación se sitúa detrás del aparato. La rejilla de ventilación debe estar despejada y abierta para permitir la circulación de aire necesaria para el buen funcionamiento del aparato.

NO toque la zona de alrededor de la rejilla de ventilación cuando esté funcionando el aparato ni durante varios minutos después de la utilización del mismo. Algunas piezas de la rejilla de ventilación y de la zona adyacente llegan a estar suficientemente calientes como para provocar quemaduras. Deje tiempo suficiente para que el aparato pueda enfriarse antes de tocarlo o limpiarlo.

No coloque objetos de plástico o de otras materias sensibles al calor en la rejilla de ventilación o cerca de ella. Podrían prender fuego.

ADVERTENCIA:

No se debería instalar este aparato con un sistema de ventilación de corriente descendente. Este tipo de sistema de ventilación puede presentar riesgo de ignición y problemas de combustión, provocando lesiones corporales, daños materiales o un funcionamiento involuntario. No se aplica ninguna restricción a los sistemas de ventilación de corriente ascendente.

No almacene o use químicos corrosivos, vapores, productos inflamables o no alimenticios en o cerca de este aparato. Este tipo de estufa está diseñado específicamente para calentar o cocinar alimentos. El uso de químicos corrosivos cuando caliente o limpie la estufa puede dañar el aparato y causar lesiones.

ADVERTENCIA:

Advertencias en virtud de la Proposición 65 del estado de California:

Este producto contiene una o más sustancias químicas que el estado de California sabe que provocan cáncer, defectos congénitos, u otro daño reproductivo.

Antes de Comenzar

Antes de usar su estufa por primera vez, revise que usted tenga estos artículos:

Tabla 1: Piezas y Accesorios del Horno

DESCRIPCIÓN	30 pulg., 4 quemadores	36 pulg., 4 quemadores y una plancha	36 pulg., 6 quemadores	48 pulg., 6 quemadores y una plancha
Rejillas Full Access [®] , Hornilla Principal	1	3	3	3
Rejillas Full Access, Hornilla Secundaria	0	0	0	2
Rejilla plana, Hornilla Principal	2	—	—	—
Bandeja de Asar, 2 Piezas*	1	1	1	2
Tapas de los Quemadores STAR [®]	4	4	6	6
Rejilla Central	1	0	0	0
Rejillas del Quemador	2	2	3	3
Perillas de Control	5	6	7	9
Plancha de Aluminio Con Revestimiento de Titanio	0	1	0	1
Consola de Protección	1	1	1	1
Instrucciones de Instalación	1	1	1	1
Manual de Uso y Cuidado	1	1	1	1

**Todos los modelos se venden con un adorno de tipo isla. Sin embargo, consulte la advertencia acerca del espacio detrás de la cocina cuando utiliza la estufa con este accesorio.



Quite todo el material de embalaje y las etiquetas temporales de la hornilla y de la estufa. Por favor, recicle el material de embalaje ya que todo lo que utiliza THERMADOR[®] para empaquetar sus aparatos es reciclable.

1. Asegúrese de tener los artículos listados en la Tabla 1.
2. **Anote el número de modelo y de serie página 37.** Consulte la información que aparece en la placa de señalización. La placa de señalización está ubicada a la derecha del aparato, entre la cavidad de la hornilla y el panel lateral (vea la *Figura 35 en la página 37*). Usted puede recurrir a esa información cada vez que se ponga en contacto con la atención al cliente. Escriba también esta información en la tarjeta de registro que se incluye con este producto y luego envíela a la dirección indicada.
3. Accesorios opcionales: placa de parrilla (PA12GRILHC), tabla de cortar (PA12CHPBLK), cubierta para la plancha (PA12CVRJ), rodapié, anillo de soporte para wok (PWOKRINGHC) y otros accesorios están disponibles en su distribuidor THERMADOR[®].

4. **Ponga las rejillas correctamente en la hornilla.** La posición correcta de las rejillas depende de la receta y del modo de cocinar. **Las posiciones de rejillas están numeradas desde abajo hacia arriba, igual que un elevador.** La posición de rejilla 3 es la posición que se usa con mayor frecuencia. Coloque la(s) rejilla(s) en la posición correcta antes de encender la hornilla.

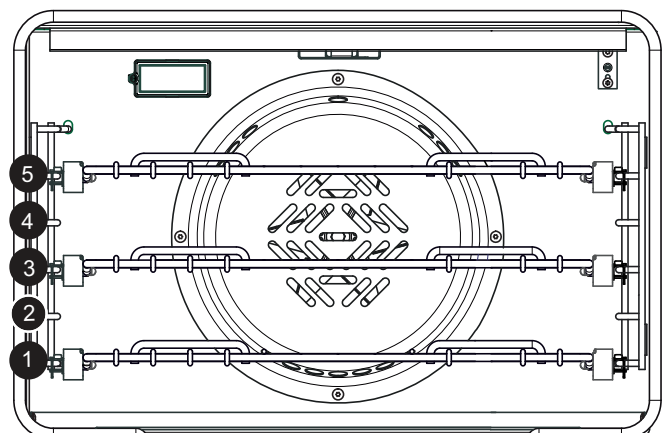


Figura 1: Posiciones de las rejillas en la hornilla



PRECAUCIÓN:

Nunca se debe usar papel de aluminio para cubrir las rejillas de la hornilla o para forrar la hornilla. No quite el elemento del grill de la hornilla eléctrica. El uso incorrecto de papel de aluminio puede causar daños a la hornilla.



ADVERTENCIA:

Para prevenir los riesgos de quemaduras, no quite ni desplace NUNCA las rejillas cuando esté encendida la hornilla o se esté enfriando.

Como colocar la rejilla en la hornilla:

Puede tirar y empujar las rejillas en la hornilla con un esfuerzo mínimo, aun cuando pone un pavo o un asado pesado encima de la rejilla.

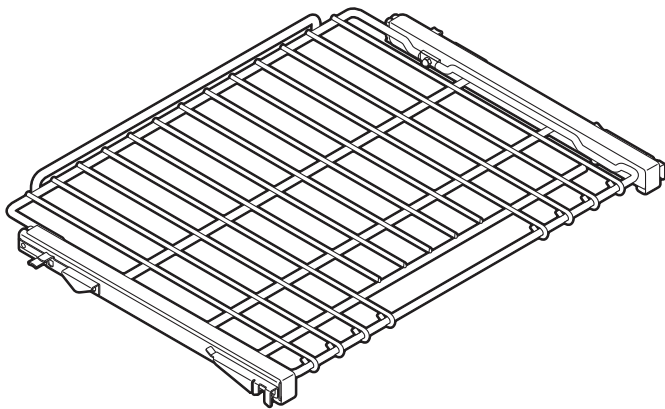
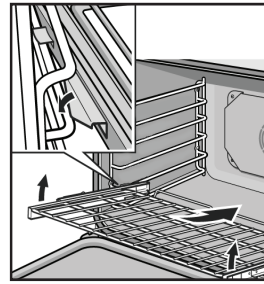
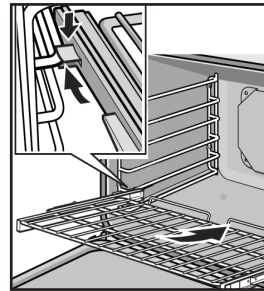


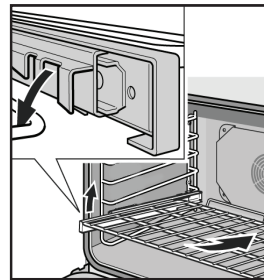
Figura 2: Rejilla corredera



1. Sujete la rejilla en ángulo. Coloque los ganchos bajo la parte delantera de las ranuras de las guías.



2. Empuje la rejilla sobre la hornilla, levantándola por encima de los topes de seguridad situadas en la parte delantera de las guías.
3. Sujete la rejilla recta.
4. Empuje la rejilla hasta el mismo nivel que los ganchos delanteros.



5. Levante la rejilla.
6. Empuje la rejilla hasta el fondo.
7. Inserte los ganchos delanteros de la rejilla en las ranuras.

IMPORTANTE:

Al instalar la rejilla corredera en la hornilla, asegúrese de que los soportes frontales de las ranuras descansen en las ranuras de las esquinas delanteras de la rejilla. Esto es necesario para que la rejilla se quede en la posición correcta cuando se encuentra en el interior de la hornilla.

Figura 3: Instalación de la rejilla de la hornilla

Introducir la rejilla plana en el horno:

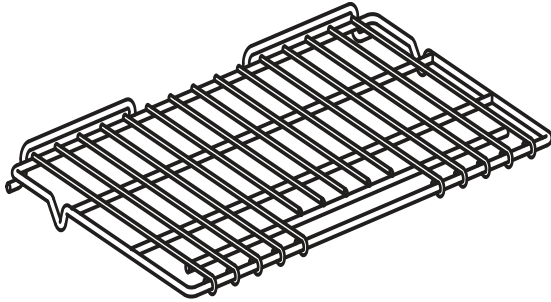
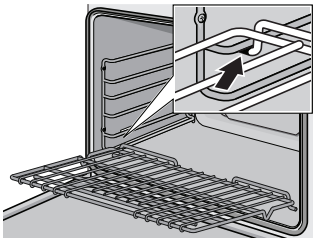


Figura 4: Rejilla plana

La rejilla está diseñada con un tope para que no se salga por completo del horno y no se incline.



1. Tome la rejilla firmemente de ambos lados.
2. Introduzca la rejilla (vea la imagen).
3. Incline hacia arriba la rejilla para que se detenga al insertarse en la guía de la rejilla.
4. Coloque la rejilla en posición horizontal y empuje el resto hacia adentro hasta el tope. La rejilla debe estar derecha y plana, no torcida.

Figura 5: Introducir la rejilla plana en el horno:

Retire la rejilla plana del horno:

Tome la rejilla firmemente de ambos lados y jale hacia usted. Al llegar al tope, inclínela hacia arriba y jale el resto hacia afuera.

5. **Asegúrese de que las tapas de los quemadores STAR® estén bien colocados en sus bases (Figura 15 y Figura 16).** Encienda cada quemador para asegurarse de que el color de la llama es correcto. Consulte la sección “*Descripción de la llama*” para obtener más detalles.
6. **Antes de usar la hornilla o el grill,** encienda la hornilla y el grill para quemar los aceites de fabricación recurriendo a uno de los métodos siguientes:
 - Encienda el sistema de ventilación (si la campana usada funciona con un sistema de recuperación de aire, abra una ventana). Ajuste la hornilla a 450°F (230°C) y déjelo funcionar durante 20-30 minutos. Luego, ajuste la estufa al modo BROIL durante el mismo periodo.

Por favor lea “Cuidado y mantenimiento” en la página 31 antes de limpiar las rejillas del horno.

Las estufas PROFESSIONAL® de THERMADOR emiten a veces olores particulares o humo cuando se usan por primera vez. Esos olores o este humo provienen de residuos de fabricación que queman, lo que es típico en una nueva estufa, sin importar el fabricante. **Antes de usar la hornilla o el grill,** encienda la hornilla y el grill para quemar los aceites de fabricación recurriendo a uno de los métodos siguientes:

Note que los pájaros domésticos pueden ser sensibles a los olores creados durante la utilización de la hornilla a temperaturas altas, que provengan de la combustión de residuos de fabricación o de alimentos. Así, se recomienda no dejar los pájaros domésticos en la cocina.

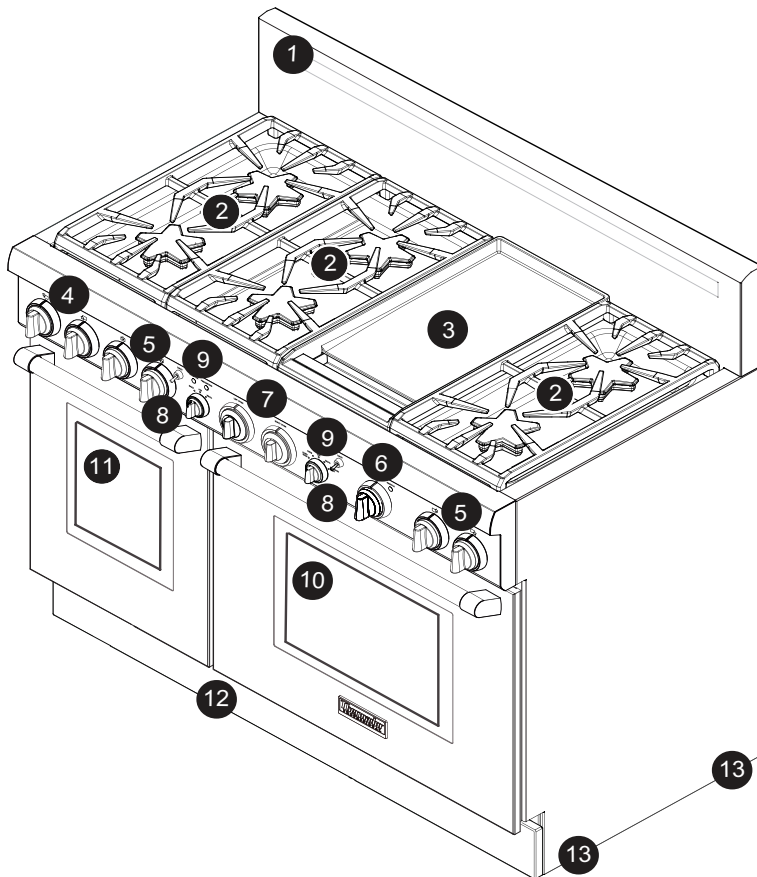
NOTA:

Es normal durante el proceso de enfriamiento que la hornilla eche aire caliente a la habitación donde se halla.

Descripción

Modelo y Identificación de Partes

Clave para el modelo de 48 pulgadas



1. Adorno de tipo isla (incluido), estante alto o consola de protección baja (vendidos por separado)
2. Rejillas y quemadores
3. Plancha eléctrica
4. Perilla de control, quemador ExtraLow® (2)
5. Perillas de control, quemadores estándar (4)
6. Perilla de control: plancha eléctrica (1)
7. Selector de temperatura del horno
8. Selector de modo del horno
9. Interruptores de las luces de las hornillas
10. Puerta de la hornilla principal (tres rejillas incluidas)
11. Hornilla secundaria (dos rejillas incluidas)
12. Panel delantero inferior (1)
13. Patas de la estufa (4)

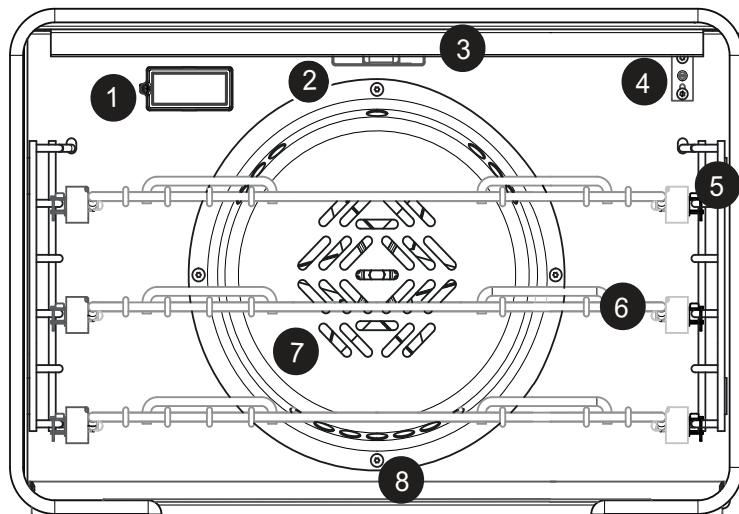


ADVERTENCIA:

Para asegurar una ventilación adecuada, NO quite las patas de la estufa.

Figura 6: 48" Modelos

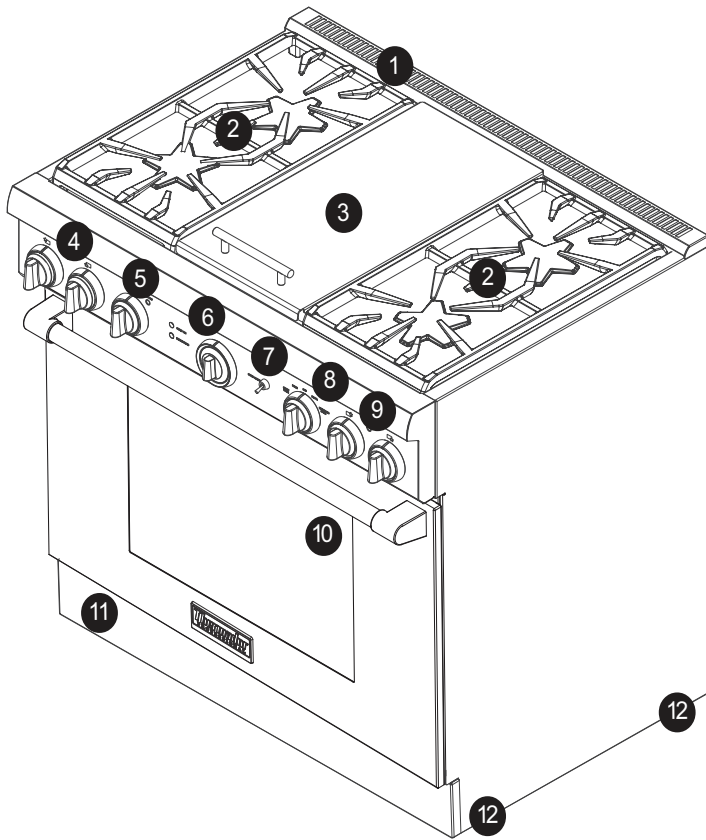
Interior del horno de gas



1. Luz interior del horno
2. Encendedor del grill
3. Quemador infrarrojos del grill
4. Sensor de temperatura de la hornilla
5. Guías para rejillas
6. Rejillas deslizantes del horno (3 incluidas)
7. Ventilador de convección
8. Quemador de la hornilla (oculto)

Figura 7: Interior del horno de gas

Clave para el modelo de 36 pulgadas



1. Consola trasera de protección con altura de 22", consola baja de 9" omoldura de isla al ras (Se deben pedir por separado la charola para ollas y la consola trasera)
2. Rejillas y quemadores
3. Plancha, en algunos modelos (la cubierta de la plancha, vendida por separado, aparece en la ilustración)
4. Perilla de control, quemador ExtraLow® (2)
5. Perilla de la plancha, en algunos modelos
6. Selector de temperatura del horno
7. Puerta del horno
8. Selector de modo del horno
9. Perillas de control, (2 o 4, según el modelo)
10. Puerta de la hornilla principal (tres rejillas incluidas)
11. Panel delantero inferior (1)
12. Patas de la estufa (4)

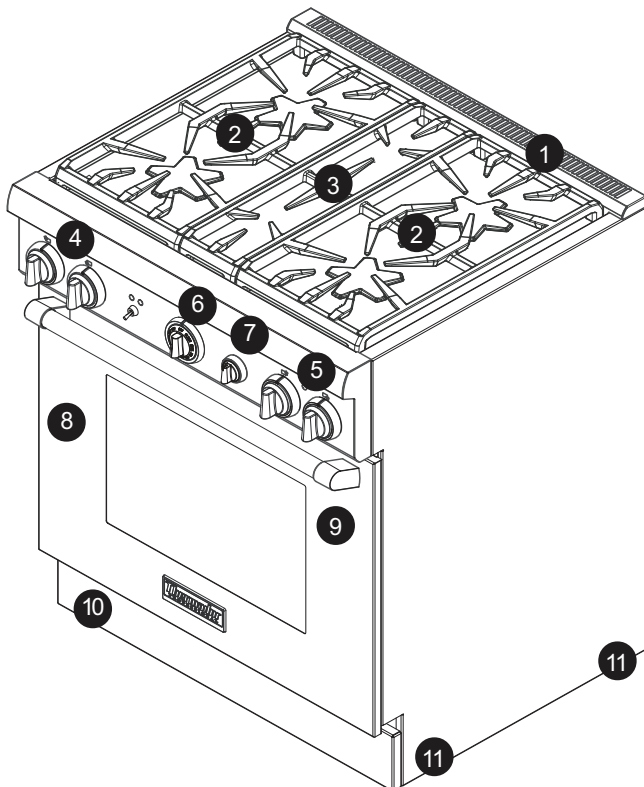


ADVERTENCIA:

Para asegurar una ventilación adecuada, NO quite las patas de la estufa.

Figura 8: 36" Modelos

Clave para el modelo de 30 pulgadas



ADVERTENCIA:

Para asegurar una ventilación adecuada, NO quite las patas de la estufa.

Figura 9: 30" Modelos

Usar la parrilla

Quemadores sellados

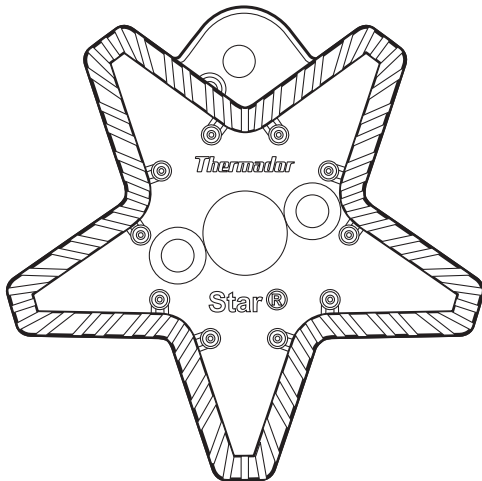


Figura 10: Base del quemador STAR de latón

La encimera de hornallas cuenta con seis quemadores STAR® para encimera de gas, cada uno con una potencia de 18.000 BTU/h (15.000 BTU/h con propano). Los quemadores STAR están montados sobre pedestales con una forma exclusiva que simplifican la limpieza de los conjuntos de quemadores STAR.

Cada quemador STAR cuenta con una función base QuickClean® que permite limpiar más fácilmente el quemador y el área entorno al conjunto del quemador.

Los dos quemadores STAR de la izquierda y los dos de la derecha cuentan con la función de fuego lento ExtraLow; el resto de quemadores STAR son estándar. Cada quemador STAR tiene su propia perilla de control.

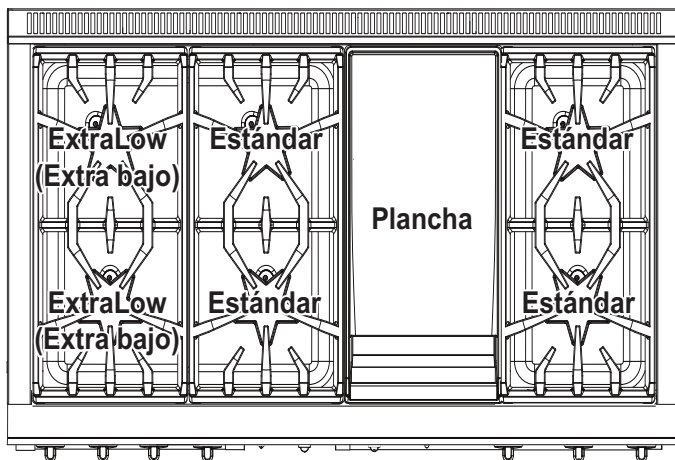


Figura 11: Base del quemador STAR de latón

Perillas de Control

Las perillas de control para dos quemadores sellados de gas, uno en la parte delantera y uno en el fondo, se encuentran directamente en frente de y debajo del par de quemadores en el panel de control.

El símbolo arriba de cada perilla de control identifica ya sea la posición del quemador en la parrilla o el control de la plancha, dependiendo de su modelo.

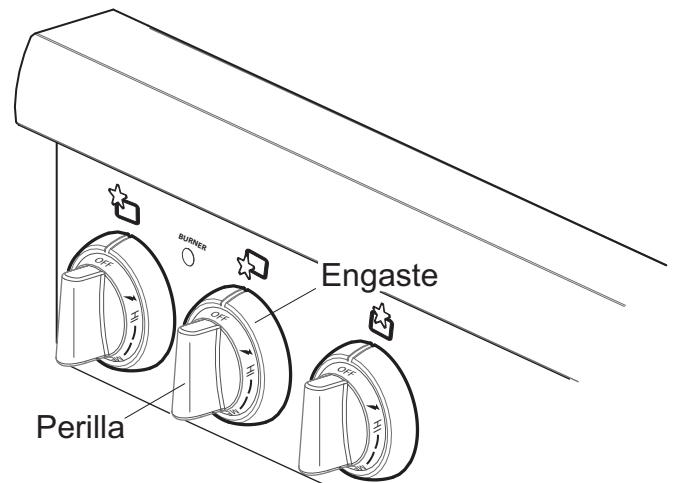


Figura 12: Perilla de control estándar de un quemador STAR

TRASERO
IZQUIERDO



DELANTERO
IZQUIERDO



TRASERO
CENTRAL



DELANTERO
CENTRAL



TRASERO
DERECHO



PLANCHA



DELANTERO
DERECHO



Figura 13: Símbolos de la superficie de la estufa

Operación de los Quemadores

- Oprima la perilla y gírela en sentido opuesto del reloj a la posición **HI** en la perilla.
- El encendedor para el quemador seleccionado hace un chasquido y echa chispas.
- Después de encender la llama, el chasquido del encendedor se detiene.
- Gire la perilla a cualquier ajuste de la llama entre **HI** y **SIM** (Alto y Hervir a fuego lento).
- Cuando se prenden los quemadores cercanos, se ilumina la luz azul señaladora entre los quemadores. Se quedará prendida la luz hasta apagar los quemadores cercanos.

BTU para quemadores estándar

- **HI** equivale a 18,000 BTU / HR (15,000 BTU/HR con gas propano).
- **SIM** equivale a 2,100 BTU / HR.

BTU para quemador ExtraLow®

- **HI** equivale a 18,000 BTU / HR (15,000 BTU/HR con gas propano).
- **SIM** equivale a 3,000 BTU / HR.
- **XLO** equivale a 370 BTU / HR.

Quemadores ExtraLow®

El control para el quemador delantero izquierdo tiene ajustes de las llamas aún más bajos que los ajustes estándar para el modo **SIM** (hervir a fuego lento).

El dibujo muestra que la perilla de control tiene un rango adicional entre el ajuste **SIM** y **XLO**. Cuando se ajusta la perilla dentro de este rango, la llama se prende y se apaga. Variando la duración de tiempo que se prende y apaga la llama, se puede reducir el calor aún más para cocinar alimentos delicados. Por ejemplo, estos ajustes de calor muy bajo son apropiados para hervir a fuego lento y para escalfar, derretir chocolate y mantequilla, mantener calientes alimentos cocidos a temperaturas sin quemarlos, etc.

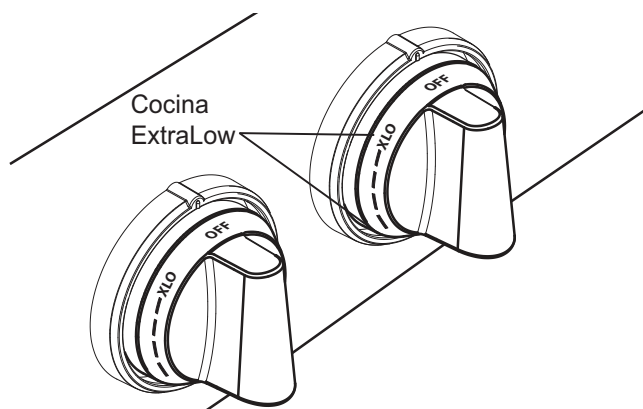


Figura 14: Perilla de control del quemador ExtraLow®

Operación del quemador ExtraLow

- Se logra el ajuste más bajo de calor, **XLO**, al prender la llama por aprox. 8 segundos y apagarla por 52 segundos de cada minuto.
- Cuando se ajusta la perilla justamente debajo de la posición **SIM**, se prende la llama por aprox. 8 segundos y se apaga por 52 segundos de cada minuto.
- Para variar la cantidad de bajo calor y para adecuarse a los alimentos y las cantidades, se puede ajustar el control en cualquier posición dentro del rango de **SIM** y **XLO** marcado en la perilla.

Técnicas ExtraLow

- El tipo y la cantidad de alimentos afectan al ajuste que se debe usar.
- La olla seleccionada afecta al ajuste de calor. Su tamaño, tipo, material y si se usa una tapa, todos afectan la consistencia de la temperatura de cocinar.
- Para mantener un bajo calor, se debe calentar el alimento hasta hervir. Revuelva bien, luego tape la olla y baje el calor a un ajuste un poco abajo de **SIM**.
- Revise periódicamente para ver si se debe girar la perilla de control a otro ajuste.
- Cuando se usa una olla extra grande, la acción de hervir a fuego lento (**SIM**) puede ocurrir principalmente en el centro de la olla. Para igualar la temperatura en todo el alimento, revuélvalo bien en los extremos exteriores de la olla hacia el centro del alimento.
- Es normal revolver el alimento de vez en cuando mientras lo hierve a fuego lento. Esto es muy importante cuando lo hace por varias horas, como para una salsa casera de espaguetis o frijoles.
- Cuando baja el ajuste de la llama, hágalo poco a poco.
- Si el ajuste está muy bajo para seguir hirviendo a fuego lento, vuelva a hervir el alimento antes de reajustar a un calor más fuerte.
- Es normal ver burbujas del fuego lento inmediatamente después de revolver el alimento.
- Puede haber burbujas cuando la llama se prende y se apaga en ciclos y ninguna burbuja cuando la llama está apagada. Aún cuando la llama está apagada, habrá vapor y una ligera agitación en la superficie del líquido.

Verificación de la posición de las tapas de los quemadores

- Compruebe cada quemador para asegurarse de que no hay espacio entre la tapa y la base del quemador. Vea las *Figura 15* y *Figura 16* para ejemplos de tapa de quemador instalada correcta e incorrectamente.
- Puede intentar mover con cuidado las tapas de los quemadores lateralmente para asegurarse que están colocadas correctamente en su base. Cuando es el caso, las tapas están rectas en la base y cubren completamente la base del quemador en forma de estrella al miraras desde arriba, como se muestra en la *Figura 15*.

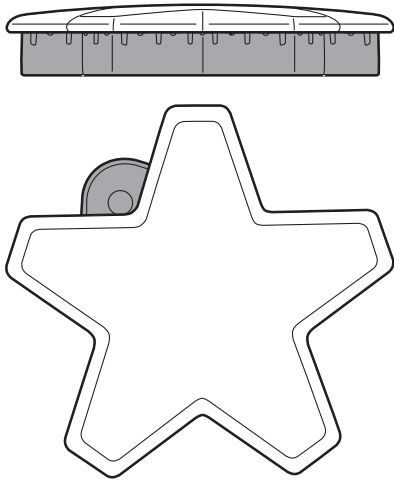


Figura 15: Tapa de quemador colocado correctamente

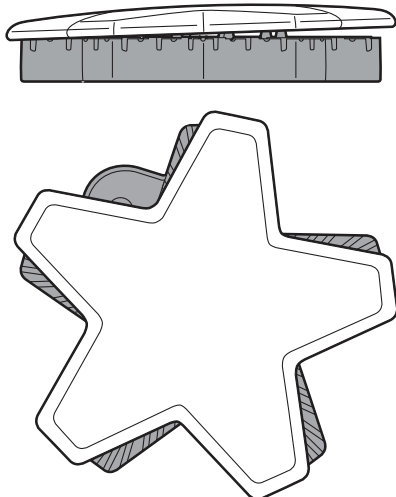


Figura 16: Tapa de quemador colocado incorrectamente

Posición de las tapas de los quemadores

Para asegurar un funcionamiento correcto, se deben colocar correctamente las tapas de los quemadores STAR® sobre su base. Si la tapa no se coloca correctamente, podría ocurrir uno de los siguientes problemas:

- Las llamas del quemador son demasiado altas
- Llamas excesivas salen del quemador
- El quemador no se enciende
- Las llamas del quemador son irregulares
- El quemador desprende olores



ADVERTENCIA:

Para evitar que los productos se prendan fuego o que se creen gases nocivos, no use la superficie de la estufa si las tapas y las rejillas no están todas colocadas correctamente.

Encendedor electrónico único

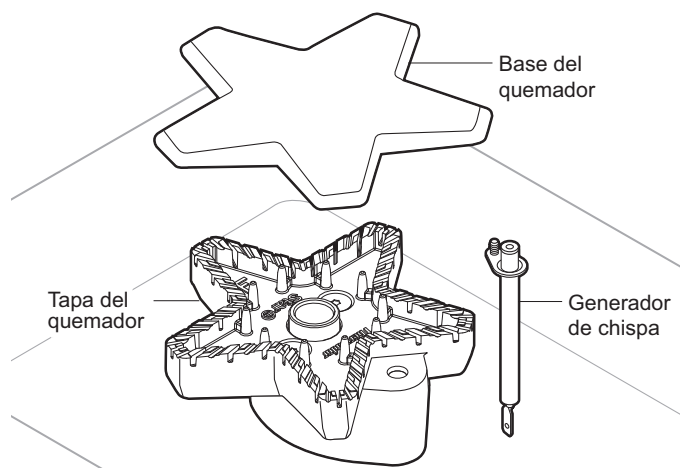


Figura 17: Componentes de los quemadores STAR

Cada quemador STAR® tiene su propio encendedor electrónico que echa chispas cuando se activa la perilla. Los quemadores deben encenderse en 4 segundos o menos. Si un quemador no se enciende, asegúrese de que la tapa esté colocada correctamente sobre la base (vea las *Figura 15*).



ADVERTENCIA:

Para prevenir quemaduras, evite tocar las tapas y las rejillas de los quemadores cuando estén calientes. Apague la estufa y deje los quemadores enfriarse.



PRECAUCIÓN:

No toque los quemadores cuando los encendedores echan chispas.

Si un quemador no enciende, consulte la sección “*Antes de solicitar servicio*”.

Reencendido Automático

Si se apagan las llamas de uno o más quemadores, el encendedor electrónico echa chispas automáticamente para volver a encender la llama. No toque los quemadores cuando los encendedores echen chispas.

IMPORTANTE:

- Para una combustión adecuada, no use la estufa sin tener las rejillas de los quemadores en su lugar.
- Hay un ligero sonido asociado con la combustión de gas y el encendido. Esto es normal.



ADVERTENCIA:

Para prevenir quemaduras, evite tocar las tapas y las rejillas de los quemadores cuando estén calientes. Apague la estufa y deje los quemadores enfriarse.

Apagón

- Solamente en el caso de una falla de electricidad pueden encenderse manualmente los quemadores estándar. Es necesario encender cada uno individualmente.
- Si se está usando la parrilla cuando se va la luz, gire **todas** las perillas a la posición **OFF** (Apagado).
- Se pueden encender los quemadores estándar con un cerillo prendido cerca de los puertos y girando la perilla de control a la posición **HI**. Espere hasta que la llama envuelva toda la tapa del quemador antes de ajustar la llama a la altura deseada.
- No se puede usar el quemador ExtraLow durante una falla de electricidad. **Asegúrese de apagarlo.**
- Si el quemador ExtraLow está prendido cuando se va la luz, no se puede volver a prender hasta no apagar primero la perilla.
- No se pueden usar la plancha durante una falla de luz.
- Si huele a gas, consulte las precauciones de seguridad listadas dentro de la portada.



ADVERTENCIA:

En el caso de un apagón, se deben girar todas las perillas a la posición OFF. Solamente se pueden encender manualmente los quemadores estándares STAR.

Altura de la llama

- La altura correcta de la llama depende de: 1) tamaño y material de la olla utilizada; 2) alimento que se está preparando; 3) cantidad de líquido en la olla.
- La llama nunca se debe extender más allá de la base de la olla.
- Use una llama baja o mediana para ollas de materiales que conduzcan el calor lentamente, como el acero esmaltado o la vitrocerámica.

Descripción de la llama

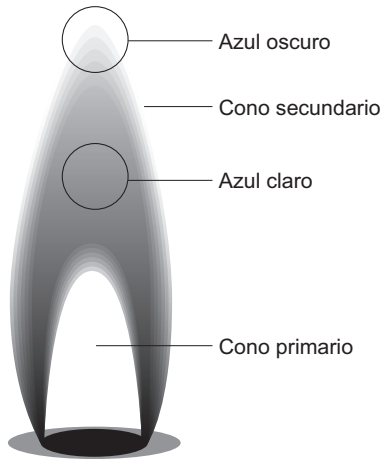


Figura 18: Color de la llama

- La llama de los quemadores debe ser de color azul sin puntas amarillas. A veces, toma parcialmente un color naranja: esto indica que se están quemando impurezas suspendidas en el aire. Desaparecerá con el uso.
- Con gas propano (LP), es normal tener algunas puntas de color amarillo en el cono principal.
- La llama debe quemar completamente alrededor de la tapa del quemador. En caso contrario asegúrese de que la tapa esté colocada correctamente sobre la base y que los puertos no estén tapados.
- La llama debe estar estable sin ruido o flameado excesivo.

Recomendaciones para los utensilios de cocina



PRECAUCIÓN:

Para evitar dañar seriamente el aparato o las ollas, lea las siguientes instrucciones:

- Nunca se deben usar grandes utensilios en la superficie de la estufa, como cazuelas grandes, bandejas para galletas, etc.
- Las ollas grandes para caldos deben colocarse en forma escalonada cuando se usan en la estufa.

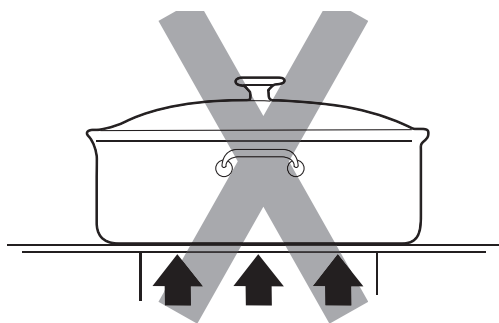


Figura 19: Diámetro de base

- Seleccione ollas cuyo diámetro coincida con el diámetro de la llama. El diámetro de la llama debe ser del mismo tamaño que la base de la olla o ligeramente más pequeña. Ollas demasiado grandes o pequeñas perjudican el rendimiento. Generalmente un tamaño de olla de 5½" (140 mm) es el más pequeño que se recomienda.
- Evite usar durante demasiado tiempo un ajuste de llama intenso cuando utilice una olla cuyo diámetro sea más grande que la rejilla o que ocupe el espacio de más de un quemador, como una bandeja. Esto puede generar una mala combustión y gases nocivos.



Figura 20: Olla balanceada

- La base de la olla es un factor importante para la estabilidad y uniformidad de la cocción. El asa no debe ser más pesada que la olla para que ésta no se incline. La olla debe ponerse al ras sobre la rejilla sin balancearse ni estar inestable.
- No se deben colocar alimentos envueltos en papel de aluminio directamente sobre la rejilla del quemador. El papel de aluminio puede derretirse durante la cocción.

- No permita que artículos de plástico, papel o tela entren en contacto con la rejilla caliente de un quemador. Podrían derretirse o prender fuego.
- Nunca hierva una olla hasta quedar seca. Esto puede dañar su olla y la superficie de la estufa.
- Recomendamos utilizar ollas de calidad profesional con asas de metal porque las asas de plástico pueden derretirse o bullir cuando la llama sube por el costado de la olla. Se pueden encontrar ollas de calidad profesional en tiendas de suministro para restaurantes y tiendas especiales. Todos los utensilios de cocina deben tener estas características: buena conductividad de calor, buen balance de peso, diámetro de la base de tamaño correcto, una base plana, pesada y una tapa que cierre bien.
- Para lograr mejores resultados, se debe mantener la llama bajo el fondo de la olla.
- El aluminio y el cobre son materiales de ollas que conducen el calor de un modo rápido y uniforme. Estos metales se encuentran a veces en la base de la olla o entre las capas de acero inoxidable.

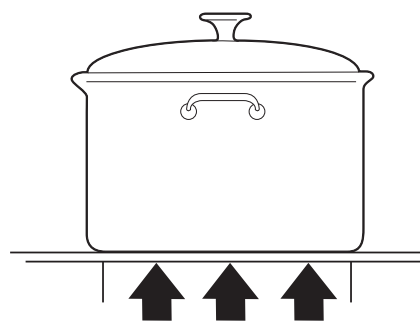


Figura 21: Olla de base plana

- Una base plana y pesada es estable cuando se calienta. Bases de ollas deformadas, dentadas, estriadas o muy ligeras se calientan de un modo poco uniforme. Caliente y enfríe las ollas gradualmente para evitar cambios repentinos de temperatura, lo cual tiende a deformarlas. No ponga agua fría en una olla caliente.

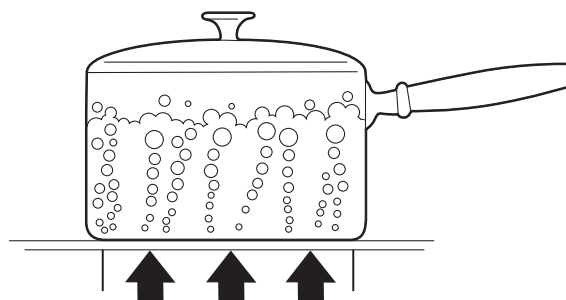


Figura 22: Olla tapada

Utensilios especiales de cocina

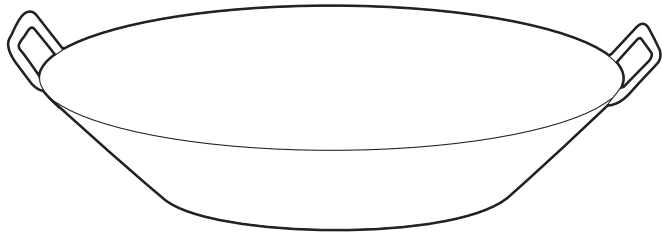


Figura 23: Olla tipo wok con base plana

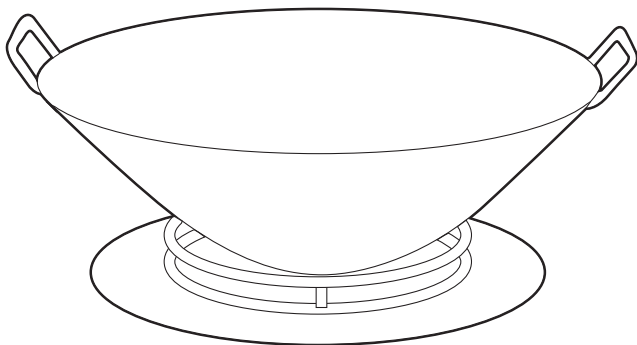


Figura 24: Wok con base redonda en un anillo de soporte

Wok — Se pueden usar tanto woks de base plana como redonda con el anillo de soporte en todos los modelos. Para los woks de base redonda se debe usar un anillo de soporte. El wok y el anillo de soporte para wok de hierro fundido esmaltado de porcelana se venden por separado (PWOKRINGHC).

Olla grande para caldos y olla a presión — Seleccione una con un diámetro de base que no salga más de 2 pulgadas (51 mm) de la rejilla.

Baño María de dimensiones estándares — 21 a 22 cuartos de galón (19,95 a 20,9 litros), con una base de 11 a 12 pulg. (279 a 305 mm) y una altura de 9 a 11 pulg. (229 a 279 mm).

Olla a presión — 8 a 22 cuartos de galón (7,6 a 20,9 litros), con una base de 8 a 11 pulg. (203 a 279 mm) y una profundidad de 6,5 a 12 pulg. (165 – 305 mm).

Consejos para usar ollas a presión:

- Es preferible usar una base plana que una cóncava, convexa o estriada.
- Cuando use dos ollas a presión al mismo tiempo, use quemadores escalonados. No bloquee la circulación de aire alrededor de los quemadores. Una llama necesita el aire suficiente para que la combustión se haga bien.
- Use una tapa sobre las ollas a presión cuando lleve el contenido a ebullición.
- Una vez que el contenido haya hervido en la posición HI, use la llama más baja posible para mantener la ebullición o la presión.
- Las ollas a presión producen grandes cantidades de vapor. Tenga cuidado para evitar quemaduras.

Recomendaciones para la cocción

Sugerencias para usar las recomendaciones

Consulte la tabla de la página 19. Los ajustes de temperaturas varían dependiendo de las ollas seleccionadas y de la temperatura inicial de los alimentos.

En la tabla se ha separado el "Ajuste final" para los quemadores estándares y los quemadores ExtraLow[®]. Según el caso, puede haber un cambio entre los ajustes de los dos tipos de quemadores.

El ajuste ExtraLow de los quemadores STAR[®] puede servir para cocinar o para mantener alimentos calientes.

Suba o baje el ajuste de la llama gradualmente. Dé tiempo para que la olla y el alimento se puedan ajustar al nuevo ajuste de calor.

Recomendaciones de cocción con los quemadores de la estufa

ALIMENTO	AJUSTE INICIAL	AJUSTE FINAL – QUEMADOR ESTÁNDAR	AJUSTE FINAL –QUEMADOR EXTRALOW® (XLO)
BEBIDAS Cacao (Chocolate)	MED – calentar la leche, cubrir	SIM – terminar de calentar	XLO – para mantener caliente, tapar*
PANES Pan Francés, Crepas, Sándwich a la plancha	MED – precalentar la sartén	SIM a MED – cocinar	Igual que el quemador estándar
MANTEQUILLA Derretir	SIM – para empezar el derretimiento	XLO – Para mantener la temperatura*	5 a 10 minutos para que se derrita
CEREALES Harina de maíz, Sémola, Avena	HI – tapar, hervir el agua, agregar los cereales	SIM a MED – terminar la cocción según las indicaciones en el embalaje	XLO – mantener, tapar*
CHOCOLATE Derretir	XLO – se puede revolver para acelerar el proceso	Usar XLO	XLO –10 a 15 minutos para que se derrita XLO – mantener*
POSTRES Caramelos	SIM a MED – cocinar según la receta	MED SIM a MED	Igual que el quemador estándar
Pudín y Relleno para tartas	SIM a MED SIM – cocinar según las indicaciones	SIM a MED	Igual que el quemador estándar
Pudín	SIM a MED SIM – hervir la leche	SIM	Igual que el quemador estándar
HUEVOS Cocidos con la cáscara	MED HI – tapar, hervir el agua, agregar huevos, tapar	Usar XLO	XLO – cocinar 3 a 4 minutos para quedar suave; o 15 a 20 minutos para quedar duros
Fritos, Revueltos	SIM a MED – derretir mant., agr. huevos	SIM – terminar la cocción	Igual que el quemador estándar
Escalfados	HI – hervir agua, agregar huevos	MED a MED – terminar la cocción	Igual que el quemador estándar
CARNE, PESCADO, AVE Tocino, Salchichas	MED HI – hasta que la carne empieza a chisporrotear	MED a MED – terminar la cocción	Igual que el quemador estándar
En su jugo: Filete Suizo, Estofado, Guisar carne	MED HI – derretir grasa, dorar en MED HI , agr. líquido, tapar		XLO – Dejar a fuego lento hasta que la carne está tierna
Fritura rápida: Filetes de desayuno	MED HI – precalentar sartén	MED a MED HI – freír rápidamente en la sartén	Igual que el quemador estándar
Fritura: Pollo	MED HI – calentar aceite, dorar en MED	SIM – cubrir, terminar la cocción	Igual que el quemador estándar
Fritura con aceite abundante: Camarones	MED HI – calentar aceite	MED a MED HI – mantener la temperatura	Igual que el quemador estándar

*Se recomienda revolver los alimentos de vez en cuando.

ALIMENTO	AJUSTE INICIAL	AJUSTE FINAL – QUEMADOR ESTÁNDAR	AJUSTE FINAL –QUEMADOR EXTRALOW® (XLO)
Fritura: chuletas de cordero, filetes delg., hamburguesas., salchichas enteras	MED HI – precalentar sartén	MED– dorar la carne	Igual que el quemador estándar
Escalfado: pollo, entero o piezas, pescado	MED HI – tapar, hervir los líquidos		Para terminar de cocinar
Hervido a fuego lento: Pollo estofado, carne curada, Lengua, etc.	HI – tapar, hervir los líquidos		Dejar a fuego lento
PASTA Macarrones, Fideos, Espaguetis	HI – hervir el agua, agregar la pasta	MED a HI – para q siga hirviendo	Igual que el quemador estándar
OLLA DE PRESIÓN Carne	MED HI a HI – aumentar presión	SIM a MED – mantener presión	Igual que el quemador estándar
Verduras	HI – aumentar presión	MED SIM a MED – mantener presión	Igual que el quemador estándar
Arroz	HI – cubrir, calentar el agua y el arroz hasta que hierva	mantener hirviendo a SIM , cubrir hasta que se evapore el agua.	Cocinar según las indicaciones del embalaje XLO – mantener, tapar
SALSAS A base de tomate	MED HI – cocinar carne / verduras, seguir la receta	SIM para cocinar a fuego lento	XLO – fuego lento para espesar la salsa, destapado
Blanca, Crema, Bernesa	MED – derretir la grasa, seguir la receta	SIM a MED SIM – terminar la cocción	XLO –mantener, tapar*
Holandesa	XLO		XLO – mantener el ajuste de calor más bajo por un período corto, revolver frecuentemente
SOPAS, CALDOS	HI – tapar, hervir el líquido	SIM para cocinar a fuego lento	Fuego lento XLO – mantener, tapar*
VERDURAS Frescas	HI – tapar, hervir el agua y las verduras	SIM a MED – cocinar 10 min., o hasta quedar suave	XLO – mantener, tapar
Congeladas	HI – tapar, hervir el agua y las verduras	SIM a MED – cocinar según las indicaciones del embalaje	Igual que el quemador estándar
Fritura en aceite abundante	HI – calentar aceite	MED a MED HI – mantener temperatura de fritura	Igual que el quemador estándar
Salteadas	MED HI – calentar aceite o derretir mantequilla y agregar verduras	SIM a MED – cocinar al término deseado	Igual que el quemador estándar
Sofritas	HI – calentar aceite, agregar verduras	HI – terminar la cocción	Igual que el quemador estándar

*Se recomienda revolver los alimentos de vez en cuando.

Uso de la plancha eléctrica (disponible con algunos modelos)

Descripción

La plancha incorporada está hecha de aluminio de calidad de restaurante, con una cubierta antiadherente de titanio. Esto crea una superficie fácil de limpiar que conduce el calor uniformemente.

Se venden por separado como accesorios: una tabla de cortar de arce, una cubierta de acero inoxidable y una bandeja con revestimiento de aluminio. La tabla de cortar de arce y la cubierta en acero inoxidable están diseñadas para encajar sobre la superficie de la plancha cuando no se utiliza la plancha. La bandeja con revestimiento de aluminio está diseñada para reemplazar a la plancha. Para obtener más detalles, vea las instrucciones de los accesorios de la plancha.

Antes de encender la plancha se deben quitar la tabla de cortar de arce y la cubierta de acero inoxidable.

- La plancha eléctrica tiene una potencia de 120 VCA, 1630 vatios.

	PRECAUCIÓN:
La plancha está caliente después de cada utilización. Déjela enfriar completamente antes de limpiarla.	
	ADVERTENCIA:
Para evitar lesionarse, no utilice nunca la plancha si la bandeja o la parrilla no están instaladas. No utilice la plancha de una forma distinta de lo que está indicado en el manual de uso y cuidado.	

La bandeja de la plancha (o el accesorio de la parrilla) siempre debe estar instalada cuando se usa la plancha.

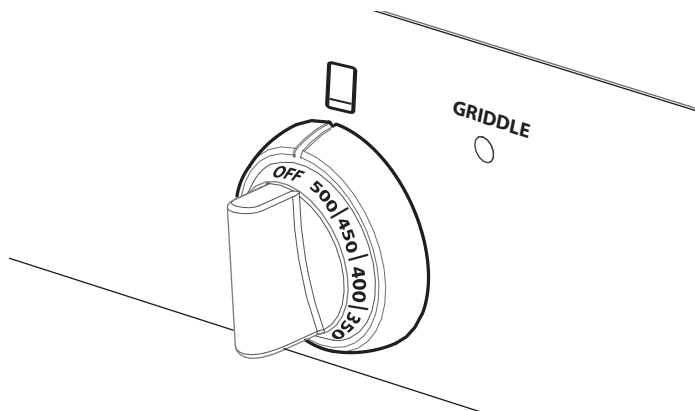


Figura 25: Perilla de control de la plancha

- La plancha se ajusta electrónicamente a las temperaturas indicadas en las perillas, de 150°F a 500°F (66°C a 260°C).
- No hay ajustes fijos en la perilla.
- Oprima y gire la perilla en el sentido de las agujas del reloj para obtener la temperatura deseada.

Preparación de la plancha

La plancha debe estar inclinada ligeramente hacia adelante para obtener el máximo rendimiento. Lea el manual de instalación para ajustar la plancha con la inclinación correcta. Al ensamblarla en la fábrica, la plancha está ligeramente inclinada. Sin embargo, durante la instalación, el instalador debe nivelarla.

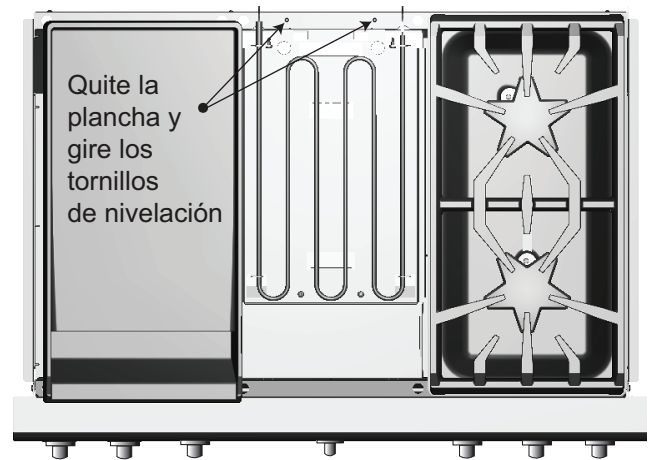


Figura 26: Tornillos de nivelación de la plancha

Antes de usarla, se debe lavar la bandeja de la plancha con agua caliente jabonosa y luego enjuagarla con agua limpia. Se puede usar la plancha sin mantequilla, margarina o aceite, o se puede echar una cantidad pequeña para dar sabor a los alimentos.

Se puede usar cualquier tipo de utensilio en la plancha. Tenga cuidado de no dañar la superficie. No corte alimentos directamente sobre la plancha.

AVISO:

El rendimiento de la plancha / estufa puede variar si el flujo de aire alrededor del aparato es demasiado elevado. El flujo de aire excesivo podría provenir de un registro de aire acondicionado o de un ventilador de techo que sopla hacia el aparato. Esto podría prolongar el tiempo de calentamiento o provocar temperaturas en la plancha/ estufa que no corresponden con el ajuste indicado por los botones.

NOTA:

Una campana adecuadamente instalada no se considera como una fuente de flujo de aire excesiva.

Recomendaciones para usar la plancha

ALIMENTO	AJUSTE
Huevos	325°F a 350°F (160°C a 180°C)
Tocino, salchichas de desayuno	375°F a 400°F (190°C a 205°C)
Sándwich tostado	350°F a 375°F (180°C a 190°C)
Pechuga pollo sin hueso	375°F a 400°F (190°C a 205°C)
Chuletas de 1 pulg. (25,4 mm)	375°F a 400°F (190°C a 205°C)
Filete de 1 pulg. (25,4 mm)	400°F a 425°F (200°C a 220°C)
Carne molida (hamburguesas 6 onzas)	375°F a 400°F (190°C a 205°C)
Albóndigas de carne de pavo picada, 6 onzas	450°F – 475°F (230°C – 245°C)
Perritos calientes	350°F a 375°F (180°C a 190°C)
Lonchas de jamón de 1/2 pulg. (12,7 mm)	350°F a 375°F (180°C a 190°C)
Crepes, Pan Francés	400°F a 425°F (205°C a 218°C)
Papas; papas doradas	375°F a 400°F (190°C a 205°C)

Bandeja de grasa de la plancha

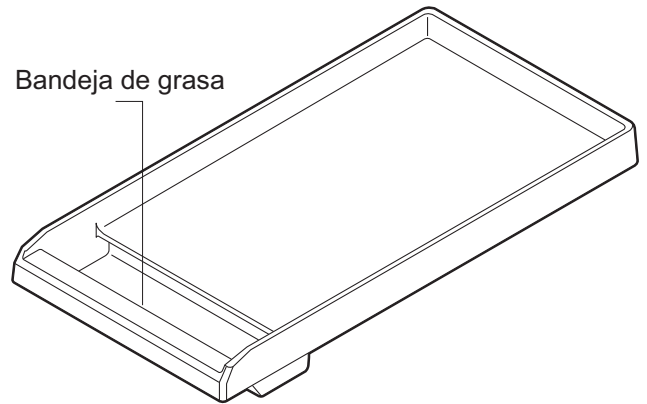


Figura 27: Bandeja de grasa

- Limpie la bandeja después de cada uso. Al quitar la bandeja, tenga cuidado para que no se derrame el contenido.
- La placa y la bandeja de grasa de la plancha se pueden lavar en el lavavajillas.
- Cuando se ha enfriado, ponga la grasa en un recipiente resistente a la grasa antes de tirarlo.

Cocinar en la plancha

1. Gire la perilla a la temperatura de cocción apropiada para precalentar la plancha.
2. Precaliéntela hasta que la luz de la plancha se apague.
3. Añada mantequilla, margarina, aceite o grasa vegetal si lo desea.

Usar la hornilla

Consejos para Hornear

Precalentar el Horno

Precaliente el horno antes de cocer alimentos, excepto piezas grandes de carne o pollo. Consulte su receta para recomendaciones del precalentado. El tiempo del precalentado depende del ajuste de temperatura y de la cantidad de rejillas en el horno.

Para Obtener Mejores Resultados

- Minimice abrir la puerta:
 - Use un cronómetro de minutos.
 - Use la luz interna del horno.
- Escoja el utensilio de tamaño correcto; use el utensilio recomendado en la receta.
- Guarde las bandejas de asar fuera del horno. Una bandeja o molde extra sin alimentos afecta el dorado y el horneado.
- El tipo de molde utilizado afecta el dorado.
 - Para una corteza suave, dorada use moldes claros de teflón/anodizados o brillosos de metal.
 - Para una corteza dorada, crujiente use moldes oscuros de teflón/anodizados o moldes oscuros sin brillo o de vidrio. Tal vez estos moldes requieren bajar la temperatura a 25°F (14°C).

Posiciones de las rejillas para hornear

- Las posiciones de las rejillas en la hornilla están numeradas como un elevador. La posición número uno es la más baja.

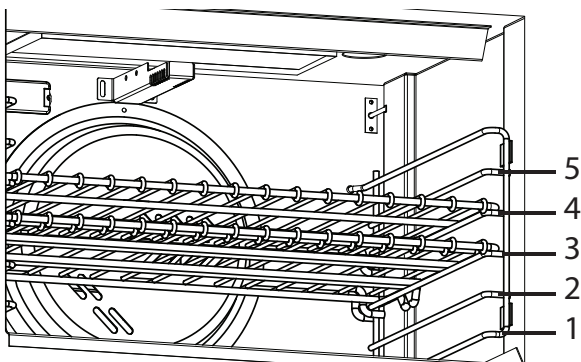


Figura 28: Hornilla principal y posiciones de las rejillas

Tipos de platos para la hornilla

- Platos de metal (con o sin un acabado de teflón), vidrio refractario, vitrocerámica, terracota u otros utensilios que van con la hornilla.
- Las bandejas para galletas adaptadas para las hornillas tienen un pequeño borde de un lado. El tiempo de cocción puede estar afectado por las bandejas pesadas o aquellas con más de un lado.

- Se pueden utilizar las bandejas de hornear de gran tamaño (18 pulg. x 26 pulg. – 457 mm x 660 mm) en las hornillas de 36 y 48 pulgadas (914 mm et 1219 mm).

Colocación

- Deje por lo menos 1 pulg. (25,4 mm) de espacio entre las ollas y las paredes de la hornilla para que el calor pueda circular alrededor de cada olla.
- Coloque las ollas para que no estén una directamente debajo de la otra. Deje por lo menos 1½ pulg. (38 mm) de espacio encima y debajo de cada plato.

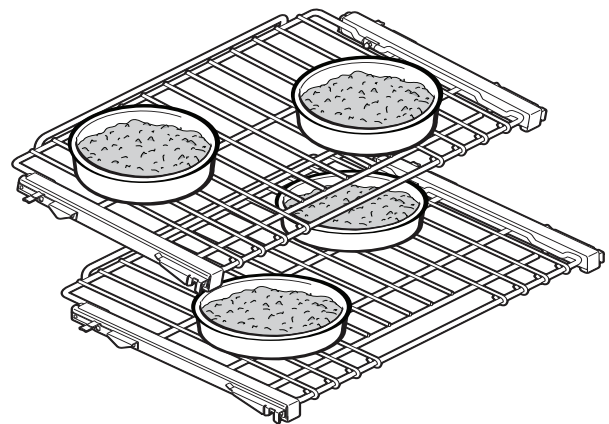


Figura 29: Colocación de la cacerola.

Hornilla principal

Hornear con una rejilla

- El modo de hornear sirve mejor para hornear con una sola rejilla en la posición #3 que se usa para la mayoría de los alimentos horneados. Cuando el alimento está muy alto, como pastel tipo bizcocho, se puede usar la posición de rejilla #2. Los pasteles salen mejor en la posición de rejilla #2 para asegurar que se hornea bien el fondo de la corteza sin dorar la parte superior demasiado. Cuando asa piezas grandes de carne o pollo, como un Prime Rib de res o un pavo, la posición de rejilla #2 es la rejilla preferida.

Hornear con dos rejillas

- Se pueden usar las posiciones de rejilla #2 y #4 o #5 cuando quiere hornear en dos niveles. Alimentos como galletas y panecillos se hornean bien utilizando estas dos posiciones de rejilla. También se pueden hornear guisados utilizando estos dos niveles.

Hornear con tres rejillas

- Cuando desea hornear con tres rejillas, se debe utilizar el modo del horneado de convección.

Convección

Cocinar con el modo de convección

Hay muchas ventajas para cocinar con el modo de convección, donde un ventilador en la parte trasera del horno hace circular el aire uniformemente alrededor del horno. El aire circulado proporciona un calor uniforme de modo que se pueden colocar los alimentos en cualquier posición de rejilla con resultados consistentes. Se pueden hornear múltiples rejillas de alimentos al mismo tiempo. Los alimentos son cocidos completamente sin necesidad de voltear los moldes.

Se deben usar moldes poco profundos con el horneado de convección. Esto permite que el aire caliente circule alrededor de los alimentos. Moldes con bordes altos o moldes tapados no son aptos para el horneado de convección porque los costados altos o las tapas no permiten que aire caliente circule alrededor de los alimentos.

Se pueden usar sus moldes preferidos para el horneado de convección, siempre y cuando sean poco profundos para permitir que el aire caliente circule alrededor de los alimentos. Cualquier alimento horneado de modo destapado quedará dorado uniformemente y tendrá una corteza perfecta. Los alimentos en platos tapados (guisados, estofados) o flanes delicados no se benefician del horneado de convección.

Horneado de convección

Usted puede ahorrar mucho tiempo horneando un lote completo de galletas al mismo tiempo. Las galletas se hornean uniformemente y terminan todas al mismo tiempo. Se puede acortar el tiempo del horneado debido al aire caliente de circulación. Para alimentos más pequeños como galletas, verifique que estén cocidos uno o dos minutos antes del tiempo de la receta. Para alimentos más grandes como pasteles, revise cinco a seis minutos antes del tiempo indicado en la receta.

Cocinar carne y aves con el modo de convección produce alimentos dorados y crujientes afuera y húmedos y jugosos en el interior. Cortes grandes de carne o ave pueden quedar terminados hasta 30 minutos antes que el tiempo sugerido, así que por favor verifique que no se cuezan demasiado. Un termómetro para carne o un termómetro de lectura inmediata proporcionará resultados más precisos que el método del "minuto por libra". Entre más grande el corte de carne o de ave, más tiempo podrá ahorrar.

Convertir el horneado convencional al horneado de convección

Para convertir la mayoría de recetas para hornear (galletas, pasteles, tartas, etc.) al modo de convección, debe reducir la temperatura del horno por 25°F. No se debe reducir la temperatura para carnes y aves. Se debe usar la misma temperatura recomendada en las recetas y tablas de cocinar para cocer carnes y aves.

Consejos para el Horneado de Convección

Precalear el Horno

Precale el horno antes de cocinar. Vea su receta para las recomendaciones del precalentado. El tiempo del precalentado depende del ajuste de temperatura y del número de rejillas en el horno.

Hornear a Gran Altitud

Cuando hornee a grandes altitudes, ya sea en el modo de **HORNEAR** u **HORNEAR DE CONVECCIÓN**, pueden variar los tiempos de las recetas y del horneado. Para información más precisa, escriba a Extension Service, Colorado State University, Fort Collins, Colorado 80521. Los boletines pueden tener un costo. Especifique el tipo de información que desea (ejemplo: pasteles, galletas, panes, etc.).

Condensación

Es normal que cierta cantidad de humedad se evapore de los alimentos durante cualquier proceso de cocina. La cantidad depende de la humedad contenida en el alimento. La humedad se va a condensar en cualquier superficie más fría que el interior del horno, tal como el panel de control.

Ajuste de Temperatura

Cuando usa el modo de hornear de convección, reduzca la temperatura recomendada por 25°F, excepto para carnes. Cuando asa carnes, verifique la temperatura interna antes del tiempo recomendado en la receta para evitar que se cuezan demasiado.

Posiciones de Rejillas

Hornear con una rejilla

- Cuando hornee en una sola rejilla, se obtienen mejores resultados con el modo de hornear (vea Horneear).
- Cuando asa pavo o un corte grande de carne, se puede usar el horneado de convección. La rejilla #2 es la rejilla más apropiada.

Hornear con dos rejillas

- Las rejillas #2 y #4 o #5 son mejores cuando usa el modo del horneado de convección. No se deben apilar los moldes, pero el molde en la rejilla #2 debe quedar colocado directamente debajo del molde en la rejilla #4 o #5. Ollas alternas para pasteles redondos.
- Se puede usar esto para pasteles, galletas, panecillos y otros alimentos para los cuales usted quiere hornear con dos rejillas.
- Cuando desea hornear varios guisados, tartas congelados o pasteles, use las rejillas #2 y #4 o #5.
- También se pueden usar estas dos rejillas para una comida grande en el horno.

Hornear con tres rejillas

- Cuando quiere hornear varias bandejas con galletas, los puede hornear en las rejillas #1, #3 y #5. Coloque las bandejas de galleta directamente arriba de cada una en las rejillas respectivas para permitir que el aire pueda fluir alrededor de las bandejas de galleta.

Tipo de molde

- Moldes de aluminio producen los mejores resultados de dorado.
- Bandejas de galleta con solamente dos costados producen mejores resultados. Se pueden usar bandejas comerciales de aluminio o utensilios profesionales para hornear.

Colocación

- Para un mejor dorado, se deben colocar los utensilios como bandejas de galleta, moldes para brazos de gitano y moldes rectangulares de modo cruzado en la rejilla con los costados más cortos en el lado derecho e izquierdo. Esto permite que el aire circule libremente.
- No se deben apilar los moldes cuando cocina con más de una rejilla.



PRECAUCIÓN:

Nunca use papel de aluminio para cubrir las rejillas de la hornilla o para forrar la hornilla cuando use la hornilla en cualquier de los modos. **Esto puede dañar la hornilla y causar un riesgo de incendio si el calor no puede escapar.**

Temperaturas sugeridas para mantener alimentos calientes

ALIMENTO	TEMPERATURA DE LA HORNILLA
Res	150°F (70°C)
Tocino	200° – 225°F (90° – 110°C)
Galletas y panecillos (tapados)	175° – 200°F (80° – 90°C)
Guisado (tapado)	175° – 200°F (80° – 90°C)
Pescados y mariscos	175° – 200°F (80° – 90°C)
Alimentos fritos	200° – 225°F (90 – 110°C)
Caldos de carne o salsas cremosas (tapados)	175°F (80°C)
Asados de cordero y de ternera	175° – 200°F (80° – 90°C)
Crepas y waffles (tapados)	200° – 225°F (90° – 110°C)
Papas horneadas	200°F (90°C)
Puré de papas (tapada)	175°F (80°C)
Tartas y pastelitos	175°F (80°C)
Pizza (tapada)	225°F (110°C)
Cerdo	175° – 200°F (80° – 90°C)
Ave (tapado)	175° – 200°F (80° – 90°C)
Verduras (tapadas)	175°F (80°C)

Cómo deshidratar alimentos con el modo de cocción a convección

Utilice el modo de cocción a convección para deshidratar y conservar fruta y verdura.

Consejos:

- El tiempo de cocción varía según el grado de humedad y del contenido en azúcar de los alimentos, del tamaño de los trozos, de la cantidad de alimentos a deshidratar y de la humedad ambiente.
- Deshidrate la mayor parte de fruta y verdura a 150°F (66°C).
- Compruebe los alimentos cuando alcance el tiempo mínimo de secado.
- Es recomendable utilizar las rejillas de secado (no incluidas) para que el aire pueda circular alrededor de los alimentos. No coloque los alimentos directamente sobre una bandeja o placa de horno. Los alimentos deben estar colocados bastante altos en el horno para secarse uniformemente.
- Se pueden usar varias rejillas de secado simultáneamente.
- Para secar a la vez varias rejillas con alimentos, se pueden colocar las rejillas en los niveles 2 y 4, o 1, 3 y 5. Utilice únicamente el nivel 3 para una sola rejilla.
- Por cuestiones de salubridad, no se recomienda deshidratar carne.
- Consulte un libro sobre conservación de alimentos, una oficina regional de salubridad alimenticia o documentación disponible en bibliotecas para obtener más información.

Alimento	Preparación	Aprox. (horas)	Verificación de la ternura
Fruta			
Manzanas	Moje los trozos en una disolución de ¼ de taza de zumo de limón y 2 tazas de agua. Rodajas de un cuarto de pulgada (¼ pulg.).	8 – 15	Ligeramente flexibles
Plátanos	Moje los trozos en una disolución de ¼ de taza de zumo de limón y 2 tazas de agua. Rodajas de un cuarto de pulgada (¼ pulg.).	8 – 15	Ligeramente flexibles
Cerezas	Limpie y seque con un trapo. Deshuese las cerezas frescas.	7 – 18	Curtidas y blandas
Pieles de naranja	Corte pieles finas de la peladura de las naranjas.	1 – 4	Secas y quebradizas
Rodajas de naranja	Rodajas de un cuarto de pulgada (¼ pulg.).	9 – 16	Piel seca y quebradiza, fruta ligeramente húmeda
Rodajas de piña en conserva	Seque con un trapo.	8 – 13	Lonchas blandas y flexibles
Rodajas de piña fresca	Seque con un trapo.	7 – 12	Lonchas blandas y flexibles
Fresas	Limpie y seque con un trapo. Corte rodajas de media pulgada (½ pulg.) de espesor. Coloque la piel contra la rejilla.	9 – 17	Secas y quebradizas
Verduras			
Pimientos rojos	Limpie y seque con un trapo. Quite la piel. Corte trozos de una pulgada.	13 – 17	Curtidos, sin humedad en el interior
Champiñones	Limpie y seque con un trapo. Corte rodajas finas de ⅛ de pulgada.	5 – 12	Duros y curtidos, secos.
Tomates	Limpie y seque con un trapo. Corte rodajas finas de ⅛ de pulgada. Vacíe bien.	5 – 12	Secos. Color de ladrillo rojo.

Tabla 2: Información de secado

Recomendaciones para hornear por convección

ALIMENTO	TAMAÑO DEL MOLDE	AJUSTE DE TEMPERATURA	TIEMPO DE COCCIÓN SUGERIDO
Galletas	Bandeja para galletas de 12 pulg. x 15 pulg.	375°F (191°C)	8 a 12 minutos
Pasteles con relleno	Molde redondo de 8 pulg. o 9 pulg.	350°F (177°C)	25 a 35 minutos
Hojaldre	Molde de 9 pulg. x 13 pulg.	350°F (177°C)	30 a 40 minutos
Pasteles Bundt™	12 moldes	325°F (163°C)	60 a 75 minutos
Brownies o galletas	Molde de 9 pulg. x 9 pulg.	325°F (163°C)	20 a 25 minutos
Panecillos	Bandeja para galletas de 12 pulg. x 15 pulg.	425°F (218°C) o según las instrucciones del embalaje	10 a 15 minutos
Pan rápido	Molde para pan de 8 pulg. x 4 pulg.	350°F (177°C)	55 a 70 minutos
Molletes	Moldes para molletes de 12	425°F (218°C)	14 a 19 minutos
Tarta de fruta	Plato de 9 pulg. de diámetro	425°F (218°C)	35 a 45 minutos
Pasteles de fruta	Molde de 9 pulg. x 9 pulg.	400°F (204°C)	25 a 30 minutos
Pan levadura	Molde para pan de 8 pulg. x 4 pulg.	350°F (177°C)	25 a 30 minutos
Rollos de pan	Molde de 9 pulg. x 13 pulg.	375°F (191°C)	12 a 18 minutos
Rollos de canela	Molde de 9 pulg. x 13 pulg.	375°F (191°C)	25 a 30 minutos
Pastel levadura para café	Bandeja para galletas de 12 pulg. x 15 pulg.	375°F (191°C)	20 a 30 minutos

Ajustar el horneado / horneado por convección / Horneado extendido

Estos modos de cocinar sirven para hornear, asar o calentar usando una, dos o tres rejillas.

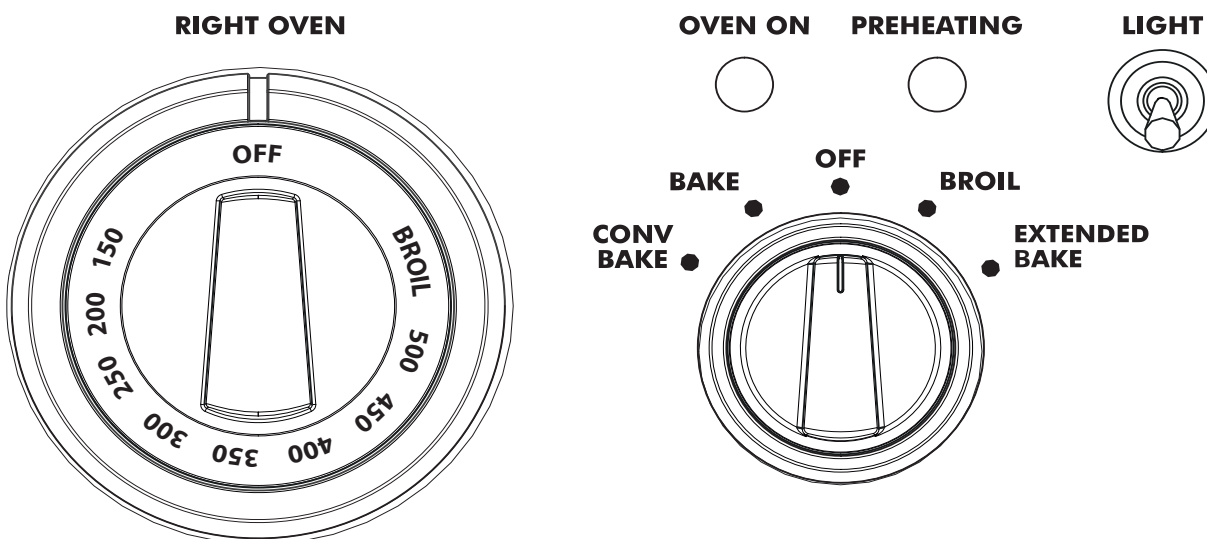


Figura 30: Controles del horno para estufas de 36"

Para configurar el horno

1. Seleccione el modo de hornear (**BAKE**) o el modo de horneado de convección (**CONVECTION BAKE**) usando la perilla del selector de modo.
2. Fije la temperatura del horno usando la perilla del selector de temperatura.
 - Si usa el modo de horneado de convección (**CONVECTION BAKE**), fije el selector de temperatura 25°F debajo de la temperatura sugerida en la receta. No es necesario variar la temperatura si usted está asando carnes o aves.
 - Se prende el ventilador de convección seis (6) minutos después de prender el horno cuando se selecciona el modo de horneado de convección (**CONVECTION BAKE**).
 - Se prenden las luces **OVEN ON** (Horno Prendido) y **PREHEATING** (Precalentar).

OVEN ON PREHEATING



- El horno es precalentado a la temperatura prefijada cuando se apaga la luz **PREHEATING** (Precalentar) por primera vez.

OVEN ON PREHEATING



NOTA:

La luz interna del horno es operada mediante un interruptor separado que prende y apaga la luz, independientemente de cualquier configuración de control.

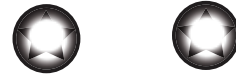
Horneado Extendido

Este modo de cocinar particular sirve para ayudarle al usuario a cumplir con sus obligaciones religiosas del modo Sabatino.

1. Seleccione el modo **EXTENDED BAKE** (Horneado Extendido) con la perilla del selector de modo.
2. Fije la temperatura del horno usando la perilla del selector de temperatura.
 - La FASE DE PRECALENTAR es igual que para los otros modos de HORNEAR. Una vez que el horno alcanza la temperatura seleccionada, comienza el ciclo de Horneado Extendido de veintidos (22) minutos.

- Hornear en FASE ACTIVA es generalmente por diecinueve (19) minutos, excepto durante los últimos dos (2) minutos, las luces **OVEN ON** (Horno Prendido) y **PREHEATING** (Precalentar) parpadean lentamente (prendido 3 seg. / apagado 3 seg. juntas) para AVISAR la fase final.

OVEN ON PREHEATING



- FASE ACTIVA (horno inactivo):
Una vez que las dos luces dejan de parpadear (ambas permanecen prendidas), los últimos tres (3) minutos le permiten al usuario del modo Sabatino tener acceso al horno sin efectuar algún cambio en la operación del horno. El quemador del horno está apagado durante esta fase.

Operación automática del ventilador de enfriamiento:

El ventilador de enfriamiento se prende solamente después de que la hornilla alcance 300°F (149°C). Cuando se apaga la hornilla, el ventilador sigue funcionando hasta que la hornilla alcanza la temperatura de 250°F (121°C).

NO siga usando el grill si el ventilador de enfriamiento no se enciende. Llame a una agencia de servicio calificada para reparar la estufa.



ADVERTENCIA:

SEGURIDAD ALIMENTICIA

El ministerio de Agricultura de los Estados Unidos recomienda NO MANTENER alimentos calientes a temperaturas entre 4°C (40°F) y 60°C (140°F) durante más de dos horas. No se recomienda cocer alimentos crudos a temperaturas inferiores a 135°C (275°F).

Otros usos del horneado

Cocinar lentamente y usos del horno con temperaturas bajas

Además de ofrecer temperaturas perfectas para hornear y tostar se puede usar el horno con temperaturas bajas para mantener calientes alimentos ya cocidos a sus temperaturas de servir, para deshidratar alimentos y para calentar platos.

Se pueden mantener alimentos cocidos calientes a sus temperaturas de servir. Ajuste el horno al modo de hornear y use la temperatura sugerida en la tabla.

Para lograr mejores resultados, precaliente el horno a la temperatura deseada.

Se deben tapar con una tapa o con papel de aluminio los alimentos que deben quedar húmedos.

Temperaturas mínimas de cocción interna

Las temperaturas mínimas de cocción interna consideradas como seguras para que se pueda comer un alimento, tal y como lo estableció el *U. S Department of Agriculture Food Safety and Inspection Service*, son las siguientes:

Carne molida fresca (res, ternera, cordero, cerdo)	160°F (72°C)
Chuletas, filetes y asados de res, ternera y cordero	
En su punto	145°F (63°C)
Término medio	160°F (72°C)
Bien hecho	170°F (77°C)
Chuletas, filetes y asados de cerdo fresco	
Término medio	160°F (72°C)
Bien hecho	170°F (77°C)
Jamón	
Cocido antes de ser comido	160°F (72°C)
Cocido y calentado	140°F (60°C)
Ave	
Pollo o pavo molido	165°F (74°C)
Pollo o pavo entero	180°F (82°C)
Pechugas asadas	170°F (77°C)
Muslos y alas	180°F (82°C)
Relleno (preparado solo o en un ave)	165°F (74°C)
Platos a base de huevos, guisos	160°F (72°C)

Asar

Obtener los mejores resultados

- Descongele los alimentos antes de asarlos.
- Mantenga cerrada la puerta durante el asado.
- Los cortes de carne deben tener un grosor mayor de 1" si quiere el acabado de vuelta y vuelta.
- Voltee los alimentos una sola vez después de que lleve la mitad del tiempo cocinándose. No es necesario voltear carnes muy delgadas (rebanadas de jamón, filetes de pescado, etc.). Rebanadas de hígado deben voltearse sin importar el grosor.
- Use un cronómetro de minutos. Ajústelo al tiempo mínimo para verificar el alimento.
- Centre los alimentos directamente debajo del quemador infrarrojo para lograr un mejor dorado.
- Si hay alimentos demasiado cerca del grill mientras se asa, se podrían producir grandes cantidades de humo. Coloque los alimentos un poco más bajo.

Posiciones de rejillas

Antes de prender el horno, coloque la rejilla en la posición deseada. Centre la bandeja de asar directamente debajo del quemador infrarrojo.

Horno de gas

- #4 — Use esta posición de rejilla cuando asa cortes de carne de res, hamburguesas de carne molida, filetes de jamón y chuletas de cordero con un grosor de 1 pulg. (25.4 mm) o menos. Se usa también cuando quiere dorar alimentos.
- #3 — Use esta posición de rejilla cuando asa cortes de carne con un grosor de 1½ pulg (29 mm) pulgadas o más, pescado, aves, chuletas de puerco, filetes de jamón con un grosor de 1 pulg. o más.
- #3 — Use esta rejilla cuando asa pedazos de pollo.

Utensilios

- La bandeja y rejilla de asar de esmalte de porcelana de dos piezas está incluida con la estufa. **NO** tape la rejilla (arriba) con papel de aluminio.
- Use moldes de metal o vidrio cerámico cuando dora guisados, platillos principales o pan.
- NO use utensilios de vidrio refractario o de cerámica. Este tipo de material no puede resistir el calor intenso del asador de gas.

Asar con un termómetro regular para carne

Para determinar con precisión el grado del acabado para un filete grueso o una chuleta (al menos con un grosor de 1½ pulg. / 29 mm), use un termómetro regular para carne. Inserte la punta del termómetro en el costado de la carne a la altura del centro del filete.

Para filetes con acabado de vuelta y vuelta, ase el primer lado a 90°F (32°C). Para filetes de acabado medio o bien cocido, ase el primer lado a una temperatura de 100°F (38°C). Voltee la carne y cueza el otro lado a la temperatura interna deseada.

Nota:

Es imposible usar el horno y el asador al mismo tiempo. Cuando uno de los dos está prendido no se puede prender el otro.

Ajustar el modo de asar (BROIL)

Solamente el quemador infrarrojo caliente en el modo de **ASAR**.

NOTA:

Un buen asado requiere de la exposición constante a un fuerte calor intenso.

Para cambiar el horno al modo de asar

1. Coloque la rejilla del horno en la posición deseada.
2. Cambiar el selector de modo a ASAR (**BROIL**).
3. Cambiar la perilla del selector de temperatura a Asar (**BROIL**).
4. Espere hasta que se apague la luz de **PRECALENTAR**, después de aproximadamente tres (3) minutos.
5. Ponga los alimentos en el horno en la posición de rejilla.
6. La puerta del horno debe estar cerrada cuando asa en el horno.

- Su estufa profesional viene con una bandeja grande de asar de dos piezas. La rejilla ranurada permite que la grasa se caiga a la bandeja inferior, lejos del fuerte calor del quemador de asar, minimizando de esta forma las salpicaderas y la formación de humo.

La luz del horno permanece prendida durante cualquier modo de Asar (**BROIL**), y sigue prendida hasta que se gire cualquiera de las perillas de control del horno a la posición **OFF** (Apagado).

Operación automática del ventilador de enfriamiento:

El ventilador de enfriamiento se prende solamente después de que la hornilla alcance 300°F (149°C). Cuando se apaga la hornilla, el ventilador sigue funcionando hasta que la hornilla alcanza la temperatura de 250°F (121°C).

NO siga usando el grill si el ventilador de enfriamiento no se enciende. Llame a una agencia de servicio calificada para reparar la estufa.

Nota:

La luz interna del horno es operada mediante un interruptor separado que prende y apaga la luz, independientemente de cualquier configuración de control.

Recomendaciones para asar y tostar

Se deben colocar todas las carnes en la bandeja de asar vendida con la estufa.

ALIMENTOS	NO. DE REJILLA	MODO DE LA HORNILLA	AJUSTE DE TEMPERATURA	TIEMPO DE COCCIÓN APPROX.	INSTRUCCIONES Y CONSEJOS ESPECIALES
RES Carne molida Hamb., ½ pulg. (12,7 mm)	4	Grill	Grill	15 a 20 minutos	Gratinar hasta quedar rosa en el centro
Filete falda	4	Grill	Gratinar (Broil)	12 a 20 minutos	Tiempo depende del término de la carne.
Solomillo	4	Grill	Gratinar (Broil)	12 a 20 minutos	Poco hecho / a punto.
Asado de costillas	3	Hornear o hornear por convección	425°F (218°C) para dorar 325°F (163°C) para terminar	20 a 25 min./lb.	Pequeños asados necesitan más min. por libra. Reducir la duración utilizando la cocción por convección.
CERDO Lomo asado	3	Hornear o hornear por convección	325°F (163°C)	20 a 25 min./lb.	Cocinar hasta que no haya jugo
AVES Pechugas de pollo sin hueso / piel	4	Grill	Grill	20 a 25 minutos	Cocinar hasta que no haya jugo
Muslos de pollo	3	Grill	Grill	25 a 30 minutos	Quitar la piel, Cocinar hasta que no haya jugo
Medios pollos	3	Grill	Grill	30 a 45 minutos	Voltear con pinzas; Cocinar hasta que no haya jugo.
Pollo asado	2	Hornear o hornear por convección	325°F (163°C)	75 a 90 min./lb.	No rellenar; reducir el tiempo cuando se asa por convección.
Pavo	2	Hornear o hornear por convección	325°F (163°C)	20 a 25 min./lb.	No rellenar; reducir el tiempo cuando se asa por convección

Cuidado y mantenimiento

Limpieza de la estufa

Cuando limpia esta estufa:

1. Use la limpieza más suave que limpia de manera eficiente y eficaz. Algunos detergentes del mismo tipo son más abrasivos que otros. Úselo primero en un área pequeña.
2. Siempre frote los acabados metálicos en la dirección de las líneas de pulido para mayor efectividad y evite dañar la superficie.
3. Use solamente trapos limpios suaves, esponjas, toallas de papel, cepillos fibrosos, esponjillas de plástico, no metálicas o de fibra metálica para limpiar y frotar, como se recomienda en la tabla.
4. Se puede limpiar cualquier parte de este aparato con agua jabonosa caliente. Cuando se necesite enjuagar, hágalo a conciencia.
5. Siempre seque de inmediato para evitar las marcas de agua.
6. No use detergentes a base de cloro.
7. Cuide de las superficies de acero inoxidable con pulido para acero inoxidable después de limpiarlas para conservar y proteger el acabado.



PRECAUCIÓN:

El interior de la hornilla sigue estando a temperaturas de hornear cuando el bloqueo automático cambia a la posición abierta, y se puede abrir la puerta de la hornilla.

Nombres de marcas

El uso de nombres de marcas es solamente para indicar un tipo de detergente. Esto no constituye ninguna promoción. La omisión del nombre de alguna marca no implica su aptitud o insuficiencia. Muchos productos son regionales y se pueden encontrar en los mercados locales. Es imprescindible usar todos los productos rigurosamente conforme a las instrucciones en el empaque. La siguiente tabla da indicaciones para limpiar esta estufa.

Quitar las guías de la rejilla para limpiarlas:

1. Levante la parte delantera de la guía de rejilla para liberar las cabezas de los dos pernos de reborde en el frente de la cavidad del horno.
2. Quite la parte delantera de la guía de rejilla jalando las ranuras de la guía encima de los pernos de reborde.
3. Sacar los dos rieles de los orificios en la parte trasera de la cavidad del horno.

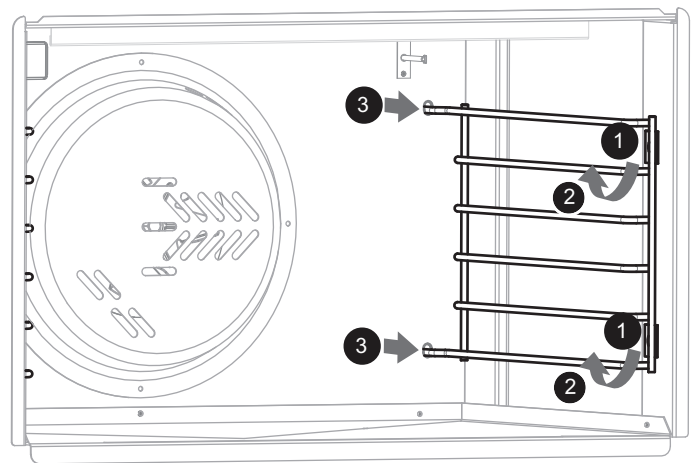
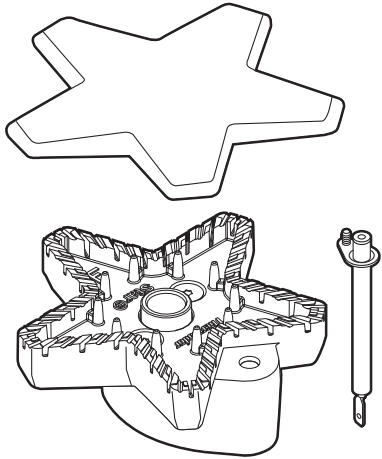


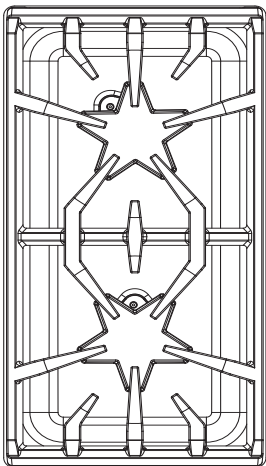
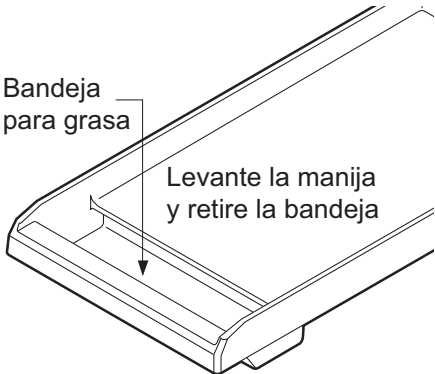
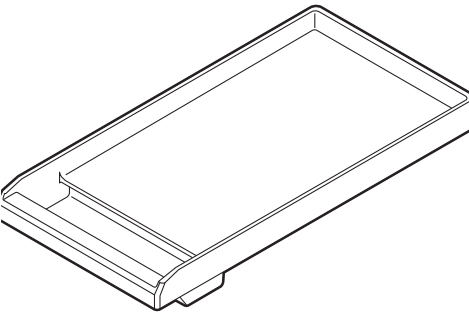
Figura 31: Quitar las guías de la rejilla para limpiarlas

NOTA:

Las guías de rejilla están diseñadas para caber en cualquier lado de la cavidad del horno.

Recomendaciones de limpieza

PIEZA / MATERIAL	DETERGENTES SUGERIDOS	INDICACIONES IMPORTANTES
<p>Base de quemador de cobre y tapa de hierro colado</p> 	<ul style="list-style-type: none"> • Agua jabonosa caliente; enjuagar y secar bien. • Detergentes poco abrasivos: Bon Ami[®], Limpiador para aluminio y acero inoxidable Cameo[®], Pulido de bronce para todo propósito Wright's[®]. • Detergentes líquidos: Kleen King[®]. • Cepillo de dientes duros de cerda de nylon para limpiar los orificios de los puertos. • Después de la limpieza, asegúrese de asentar correctamente la tapa del quemador en su base. 	<ul style="list-style-type: none"> • No deben rayar los orificios de los puertos de la base del quemador de bronce.
<p>Encendedores/ Cerámica</p>	<ul style="list-style-type: none"> • Usar un poco de algodón humedecido con agua, Formula 409[®] o Fantastic[®]. 	<ul style="list-style-type: none"> • No use herramientas afiladas para raspar los encendedores. Son frágiles. Si se daña un encendedor, tal vez ya no pueda prender el quemador.
<p>Anillos / Cromo Rejillas Full Access[®] / Cromo</p>	<ul style="list-style-type: none"> • Agua jabonosa caliente; enjuagar y secar de inmediato. 	<ul style="list-style-type: none"> • No remojar las perillas. • No forzar las perillas sobre el eje de la válvula equivocada.
<p>Acabado exterior /Consola trasera de protección Acero Inoxidable</p>	<ul style="list-style-type: none"> • Detergentes no abrasivos: Agua caliente y detergente, amoníaco, Fantastic[®], Formula 409[®]. Enjuagar y secar de inmediato. • Pulido: Stainless Steel Magic[®] para proteger el acabado de manchas y picaduras; realza la apariencia. • Manchas de agua dura: Vinagre casero. • Detergentes poco abrasivos: Detergente para acero inoxidable y aluminio Siege, Detergente líquido para acero inoxidable Kleen King[®] • Decoloración térmica: Cameo[®], Barkeepers Friend[®], Zud[®]. Pulido de bronce para todo propósito Wright's[®]. 	<ul style="list-style-type: none"> • El acero inoxidable resiste muchas manchas de alimentos y picaduras, siempre y cuando la superficie se mantenga limpia y protegida. • Nunca permita que las manchas de alimentos o de sal permanezcan mucho tiempo sobre acero inoxidable. • Frotar ligeramente en la dirección de las líneas de pulido. • Cloro y compuestos de cloro en algunos detergentes son corrosivos para el acero inoxidable. Revise los ingredientes en la etiqueta.

PIEZA / MATERIAL	DETERGENTES SUGERIDOS	INDICACIONES IMPORTANTES
<p>Rejillas / Porcelana esmaltada sobre hierro fundido</p> 	<ul style="list-style-type: none"> • Detergentes no abrasivos: Agua caliente y detergente, Fantastic[®], Formula 409[®]. Enjuagar y secar de inmediato. • Detergentes poco abrasivos: Bon Ami[®] y Soft Scrub[®]. • Detergentes abrasivos para suciedad persistente: esponjillas de fibra metálica con jabón. • Lestoil[®] u otro detergente contra la grasa. • A veces, la textura áspera de la rejilla hace que trozos de aluminio del fondo de sartenes se depositan en la superficie de los puntos más altos de la rejilla. Puede limpiar esos depósitos con una esponja Scotch Brite^{MC} limpio un estropajo. 	<ul style="list-style-type: none"> • Las rejillas son pesadas; tener cuidado cuando las levante. Ponerlas sobre una superficie protegida. • Ampollas / grietas / astillas son comunes debido a las extremas temperaturas en los dedos de las rejillas y los cambios rápidos de temperatura. • Derrames de ácidos y de azúcar echan a perder el esmalte. Quitar la suciedad de inmediato. • Detergentes abrasivos usados con mucha frecuencia pueden dañar el esmalte con el tiempo. • Tenga cuidado cuando cocina con sartenes y ollas en aluminio o cobre, ya que estos tipos de utensilios pueden dejar depósitos de metal en las rejillas.
<p>Colector de grasa / Aluminio con una cubierta antiadherente</p> 	<ul style="list-style-type: none"> • Quite el colector de grasa y ponga la grasa en un contenedor adecuado antes de echarla. Limpie el colector de grasa en agua jabonosa o póngalo en el lavavajillas. • Limpie el colector después de cada uso. • Se puede lavar en el lavavajillas. • Lavar en agua caliente con detergente; enjuagar y secar. • Suciedad persistente: Soft Scrub[®]. 	<ul style="list-style-type: none"> • Vaciar el colector después de cada uso. • Quitar el colector después de que la grasa se haya enfriado. Tenga cuidado de no llenar el colector demasiado para no tirar la grasa cuando incline el colector.
<p>Bandeja de la plancha / Aluminio con una cubierta antiadherente</p> 	<ul style="list-style-type: none"> • Quitar el colector y tirar la grasa en un contenedor resistente a grasas para su eliminación. Lavar el colector con agua jabonosa caliente o en el lavavajillas. Limpiar la superficie del asador o de la plancha con agua jabonosa tibia y enjuagar con agua tibia. Secar con un trapo suave. • Cuando haya partículas de alimentos pegadas a la bandeja del asador o de la plancha, quitarlas con un detergente poco abrasivo como Soft Scrub[®]. 	<ul style="list-style-type: none"> • Nunca se debe lavar un asador o una plancha caliente con agua fría. Esto puede deformar o romper la bandeja de aluminio. • No se debe limpiar ninguna parte del asador en una hornilla de autolimpieza.
<p>Portes Exterior, Bastidor, Agarradera, Acero inoxidable</p>	<p>Mantener los detergentes y el agua alejados de las aberturas de ventilación de las puertas. Si entra agua o detergente puede rayar el vidrio interior.</p>	

PIEZA / MATERIAL	DETERGENTES SUGERIDOS	INDICACIONES IMPORTANTES
Bandejas de limpieza / Adornos Porcelana esmaltada (acabado lustroso)		<p>Se puede usar un detergente como Soft Scrub®. Aplicar con una esponja o un paño húmedo conforme a las indicaciones del fabricante. Enjuagar bien y secar con un paño suave.</p> <p>Cuando se usan detergentes como Bar Keeper's Friend®, Bon-ami®, Comet® o Ajax®, aplicar con una esponja o un paño húmedo conforme a las indicaciones del fabricante. Frotar con cuidado ya que estos detergentes pueden rayar la superficie. Enjuagar bien y secar con un paño suave.</p> <p>Para quitar alimentos quemados se pueden usar esponjillas de fibra metálica con jabón, como S.O.S.® o Brillo®. Humedecer la esponjilla y frotar con cuidado. Se debe tener cuidado ya que estos detergentes pueden rayar la superficie. Enjuagar bien y secar con un paño suave.</p>
Cavidad Esmalte de porcelana sobre acero		<p>El esmalte de porcelana resiste ácidos pero no está totalmente a prueba de ácidos. Alimentos ácidos como jugos cítricos, jitomates, ruibarbovinagre, alcohol o leche deben ser limpiados de inmediato y no se les debe permitir que se peguen a la porcelana durante el siguiente uso. Con el tiempo se puede agrietar la porcelana (aparecen líneas finas). Esto no afectará el desempeño o funcionamiento del horno.</p> <p>Agua jabonosa caliente.</p> <ul style="list-style-type: none"> Lavar, enjuagar bien y secar. <p>Detergentes suaves: Bon-ami®, amoníaco, o amoníaco y agua, Soft Scrub®.</p> <ul style="list-style-type: none"> Aplicar a una esponja o un trapo húmedo. Frotar ligeramente. Enjuagar bien. Secar. Si se quemaron restos alimenticios en el horno y es difícil quitarlos, se pueden remojar las manchas con un trapo impregnado con amoníaco casero. Cerrar la puerta y dejar reposar durante una hora o dos, o hasta que se pueda quitar la suciedad fácilmente con un trapo jabonoso y húmedo o con un detergente poco abrasivo. Se puede poner una solución de aprox. 3 cucharas de amoníaco casero en media taza de agua en el horno caliente durante la noche. Esto ablandará los restos endurecidos y los derrames de modo que será fácil quitarlos después. Se puede añadir la solución de amoníaco al agua tibia para un lavado completo del horno.
Rejillas y base de la bandeja de asar Porcelana esmaltada	<p>NO LIMPIAR EN UNA HORNILLA DE AUTOLIMPIEZA</p>	<p>Para eliminar restos de alimentos muy pegados, rociar la rejilla vacía caliente con detergente en polvo de lavandería o con detergente líquido y tapar con toallas húmedas de papel. Dejar reposar.</p> <p>Agua jabonosa caliente.</p> <ul style="list-style-type: none"> Lavar, enjuagar bien y secar. <p>Detergentes: Soft Scrub®.</p> <ul style="list-style-type: none"> Aplicar con una esponja o un trapo húmedo conforme a las indicaciones del fabricante. Enjuagar y secar. <p>Detergentes en polvo: Bon-ami®, Comet®, Ajax®.</p> <ul style="list-style-type: none"> Aplicar con una esponja o un trapo húmedo conforme a las indicaciones del fabricante. Frotar con cuidado, puede rayar la superficie. Enjuagar bien y secar. <p>Esponjillas de fibra metálica con jabón: S.O.S.®, Brillo®.</p> <ul style="list-style-type: none"> Humedecer la esponjilla, frotar con cuidado, puede rayar la superficie. Enjuagar bien y secar.
Cierre hermético Empaque de la puerta		<p>Detergentes generales para cocina: Formula 409®, Fantastik®.</p> <ul style="list-style-type: none"> Aplicar y secar con un trapo. No frotar. No mover, quitar o dañar la malla.

Mantenimiento hecho por usted mismo

Reemplazar una bombilla en la hornilla



PRECAUCIÓN:

- Asegúrese de que el aparato y las lámparas estén fríos y corte la alimentación del aparato antes de reemplazar las bombillas. De lo contrario, podría lesionarse o recibir una descarga eléctrica.
- Las cubiertas deben estar en su sitio cuando se usa el aparato.
- Las cubiertas a proteger las bombillas.
- Las cubiertas son de vidrio. Manipúlelas con cuidado para evitar romperlas. Las astillas de vidrio pueden causar lesiones.
- El casquillo está bajo tensión cuando la puerta está abierta.

Reemplácela solamente con una bombilla diseñada para hornillas. **NO USE** una bombilla estándar en la hornilla. Póngase en contacto con atención al cliente de THERMADOR® en el 1-800-735-4328 o con la tienda THERMADOR más cerca para obtener información sobre las bombillas que tiene que utilizar con su estufa. Debe tener el número de serie de su estufa.

Para reemplazar la bombilla:

Al reemplazar las bombillas, puede usar cualquier bombilla disponible en el mercado que presente las especificaciones siguientes: **120 o 130 VCA, 50 W máx., base G8, halógena**. Use un trapo limpio y seco para manipular las bombillas halógenas. Esto aumentará su ciclo de vida.

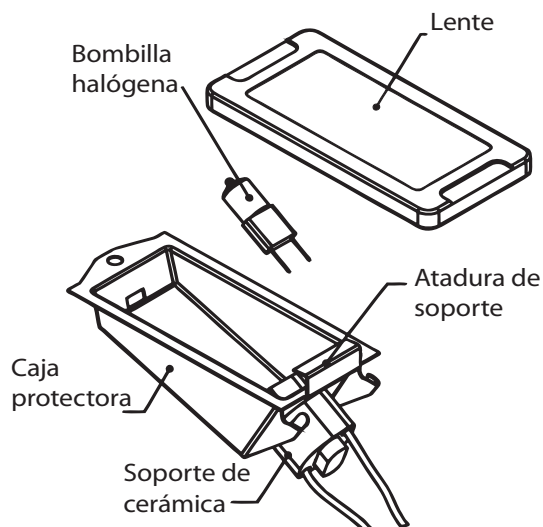


Figura 32: Ensamblaje de la lámpara de la hornilla

1. Corte la alimentación del disyuntor.
2. Quite las rejillas de la hornilla.
3. Inserte un destornillador plano entre la atadura de fijación y la caja protectora (Figura 34, A).

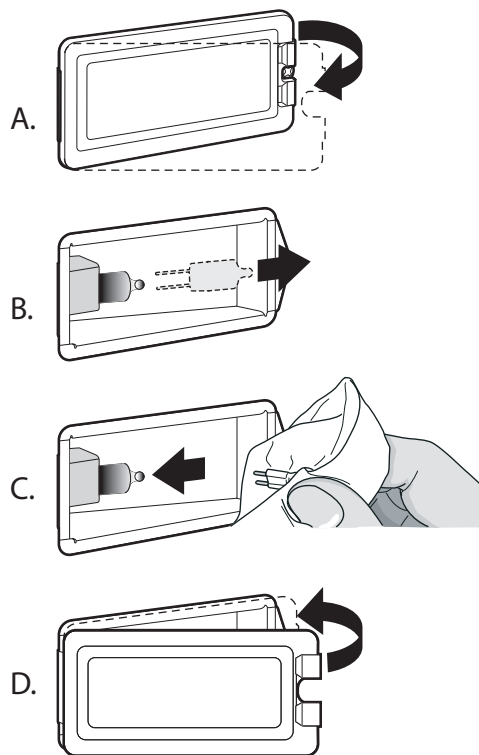


Figura 33: Ubicación de la abertura

4. Sostenga la tapa de la lente de vidrio con dos dedos a lo largo del borde inferior para impedir que caiga en el piso de la hornilla.
5. Gire con cuidado el destornillador para aflojar la tapa de la lente de vidrio.
6. Quite la tapa de la lente de vidrio (Figura 34, B).
7. Quite la bombilla cogiéndola y tirando de ella hacia atrás hasta que las dos puntas salgan del soporte de cerámica. No toque el vidrio de la nueva bombilla con sus dedos sino podría no funcionar cuando la encienda. Coja la bombilla de reemplazo con un trapo limpio y seco. Localice las dos ranuras del soporte de cerámica empujando lentamente las dos puntas de la bombilla.
8. Tire hacia abajo para instalar la bombilla correctamente (Figura 34, C).
9. Instale la lente de protección en la atadura del soporte y empuje la otra extremidad hasta que la atadura de fijación se enganche a la caja protectora (Figura 34, D).
10. Vuelva a encender el disyuntor.

Falla de electricidad

En el caso de una falla de electricidad se pueden encender solamente los quemadores estándar manualmente. Es necesario prender cada quemador estándar individualmente.

Si se está usando la parrilla de la estufa cuando ocurre la falla de luz, gire todas las perillas de control de los quemadores a la posición **OFF** (Apagado). Luego, puede encender los quemadores estándar con un cerillo prendido cerca de los puertos y girando la perilla de control a la posición **HI**. Espere hasta que la llama envuelva toda la tapa del quemador antes de ajustar la llama a la altura deseada.

No se puede usar el quemador ExtraLow® durante una falla de electricidad. Asegúrese de apagarlo cuando ocurre una falla de luz porque el quemador no se puede volver a prender hasta que se apaga la perilla de control y se vuelve a prender. Vea “Qué hacer cuando huele a gas”, adentro de la portada.

Si usted experimenta baja presión de gas, contacte a su proveedor de gas.

Chispas intermitentes o constantes del encendedor

Chispas intermitentes o constantes de los quemadores sellados de gas pueden ser el resultado de varias causas evitables. Elimine estas causas como se indica en la tabla.

SÍNTOMA	CAUSA	REMEDIO
Chispas intermitentes	<ul style="list-style-type: none">• Encendedor sucio o húmedo.• Puertos del quemador tapados.	<ul style="list-style-type: none">• Secar o limpiar bien el encendedor.• Limpiar puertos de la tapa del quemador con un alambre, una aguja o un clip enderezado.
Más de cuatro chasquidos del encendedor antes de prender	<ul style="list-style-type: none">• La tapa del quemador no cabe en la base del quemador.	<ul style="list-style-type: none">• Alinear la tapa del quemador sobre la base del quemador.
Chispas constantes	<ul style="list-style-type: none">• La toma de tierra de la estufa está mal hecha.• Alimentación eléctrica está mal polarizada.	<ul style="list-style-type: none">• Consultar instrucciones de instalación. Contratar a un eléctrico cualificado para realizar la toma de tierra.• Consultar instrucciones de instalación. Contratar a un eléctrico cualificado para realizar la toma de tierra.

Antes de solicitar servicio

Antes de solicitar servicio, revise lo siguiente para evitar cargos innecesarios de servicio.

Asegúrese de verificar primero estos puntos:

- ¿Hay una falla de electricidad en el área?
- ¿Se quemó un fusible en la casa o se activó el cortacircuitos?
- ¿La estufa no está conectada a la alimentación eléctrica?

Cuando no se prenden los quemadores

- ¿Las tapas de los quemadores están bien alineados y asentados en las bases?
- ¿Los puertos de los quemadores están tapados?
- ¿Se quemó un fusible en la casa o se activó el cortacircuitos?
- ¿La válvula de cierre del gas está cerrada, cerrando el paso de gas?

Placa con información del aparato

La placa con información del aparato muestra el número de modelo y de serie de su estufa. Se encuentra en el bastidor, detrás de la puerta del horno (vea la ilustración).

No se deben quitar los diagramas del cableado eléctrico en el área para los pies excepto por un técnico de servicio. Vuelva a ponerlos después del servicio.

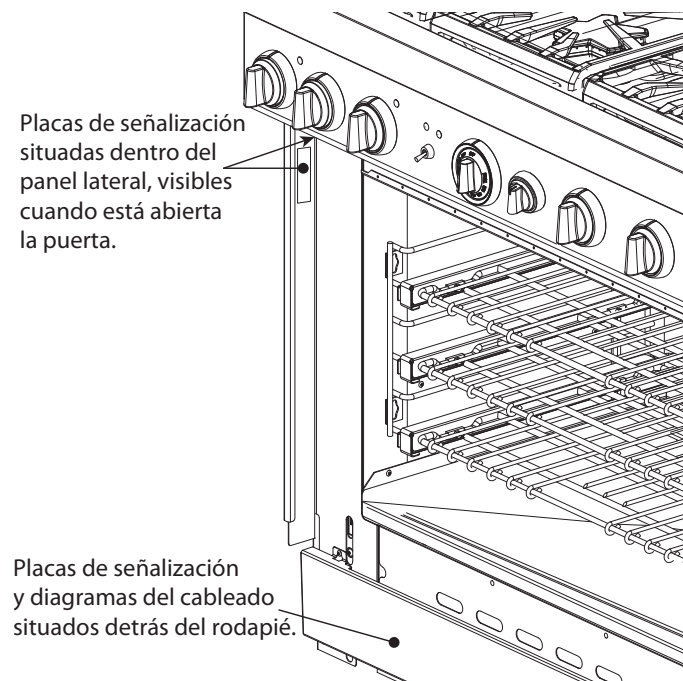


Figura 34: Ubicaciones de la placa de información y del diagrama de cableado (no se muestra la puerta del horno)



PRECAUCIÓN:

Antes de quitar el panel para los pies, desconecte la estufa de la fuente de alimentación eléctrica. Vuelva a instalar el panel para los pies antes de reconectar la estufa a la fuente de alimentación y operar la estufa.

Información para el servicio técnico

Para una consulta útil, anote aquí abajo la información de la placa de señalización situada entre el lado derecho del hueco de la hornilla y el panel lateral de la estufa. Conserve su factura para que su garantía sea válida.

Número de modelo _____

Número de serie _____

Fecha de compra _____

Nombre del distribuidor _____

Teléfono del distribuidor _____

Nombre del centro de Servicio _____

Teléfono del centro de Servicio _____

Además, anote esta información en el formulario de registro del producto que se incluye con esta estufa, luego envíela a la dirección indicada.

Registre su producto THERMADOR® para asegurarse de recibir un servicio oportuno y de tener acceso a la información relativa a su producto. Puede registrar su producto de las siguientes formas :

1. Enviando por correo la carta de registro del producto THERMADOR®
2. Registrando su producto en línea www.thermador.com.
3. Llamando al teléfono de atención al cliente de THERMADOR 1-800-735-4328.

Declaración de Garantía Limitada del Producto

Cobertura de esta garantía y a quiénes se aplica

La garantía limitada otorgada por BSH Home Appliances Corporation (BSH) en esta Declaración de Garantía Limitada del Producto se aplica únicamente al electrodoméstico THERMADOR® vendido a usted, el primer comprador usuario, siempre que el Producto haya sido Comprado:

- Para uso doméstico (no comercial) normal y que haya sido utilizado en todo momento únicamente para fines domésticos normales.
- Nuevo en una tienda minorista (que no sea un producto de exhibición, ni un producto vendido "en las condiciones en que se encuentra" ni un modelo devuelto anteriormente) y no esté destinado para reventa ni uso comercial.
- Dentro de los Estados Unidos o Canadá, y permanezca en todo momento dentro del país de compra original.

Las garantías incluidas en el presente se aplican únicamente al primer comprador del Producto y no son transferibles.

Asegúrese de devolver su tarjeta de registro; si bien no es necesario para hacer efectiva la cobertura de la garantía, es la mejor manera para que BSH le notifique en el caso poco probable de que se emita un aviso de seguridad o se retire del mercado un producto.

Duración de la garantía

Producto fabricado después del 1 de enero de 2012 cuyo número es igual o superior a FD920100000: BSH garantiza que el producto está exento de defectos de materiales y mano de obra por un período de (365) días desde la fecha de compra. El período mencionado precedentemente empieza a contarse en la fecha de compra y no se interrumpe, demora, amplía ni suspende por ninguna razón.

Producto fabricado después del 1 de enero de 2012 cuyo número es igual o superior a FD920100000: BSH garantiza que el producto está exento de defectos de materiales y mano de obra por un período de setecientos treinta (730) días desde la fecha de compra. El período mencionado precedentemente empieza a contarse en la fecha de compra y no se interrumpe, demora, amplía ni suspende por ninguna razón.

Reparación / reemplazo como único recurso

Durante el período de esta garantía, BSH o uno de sus proveedores de servicio técnico autorizados reparará su Producto sin cargo para usted (con sujeción a determinadas limitaciones especificadas en el presente documento) si se prueba que su Producto ha sido fabricado con un defecto en los materiales o en la mano de obra. Si se ha intentado de manera razonable reparar el Producto sin éxito, BSH reemplazará su Producto (es posible que usted tenga disponibles modelos mejorados, a entera discreción de BSH, con un cargo adicional). Todas las piezas y los componentes extraídos serán propiedad de BSH, a su entera discreción. Todas las piezas reemplazadas o reparadas se considerarán como la pieza original a los fines de esta garantía, y esta garantía no será extensible a dichas piezas. En virtud del presente documento, la única y exclusiva responsabilidad y obligación de BSH es únicamente reparar el Producto defectuoso de fábrica, a través de un proveedor de servicio técnico autorizado por BSH durante el horario de oficina. Por cuestiones de seguridad y daños materiales, BSH recomienda encarecidamente que no intente reparar el Producto usted mismo ni usar un proveedor de servicio técnico no autorizado; BSH no será responsable ni tendrá obligación alguna sobre las reparaciones o trabajos realizados por un centro de servicio técnico no autorizado. Si usted prefiere que una persona que no sea proveedor de servicio técnico autorizado trabaje en su Producto, **ESTA GARANTÍA SE ANULARÁ AUTOMÁTICAMENTE.** Los proveedores de servicio técnico autorizados son aquellas personas o compañías que han sido especialmente capacitadas para manejar los productos de BSH y que tienen, según el criterio de BSH, una reputación superior de servicio con el cliente y capacidad técnica (debe tener en cuenta que son entidades independientes y no son agentes, socios, afiliados ni representantes de BSH). Sin perjuicio de lo anterior, BSH no tendrá responsabilidad ni obligación alguna sobre el Producto que se encuentre en un área remota (a más de 100 millas de un proveedor de servicio técnico autorizado) o en un lugar, área circundante o entorno que no sea accesible por medios razonables o que sea peligroso, hostil o arriesgado; en cualquier caso, cuando lo solicite, BSH de todas maneras pagará por la mano de obra y las piezas, y enviará las piezas al proveedor de servicio técnico autorizado más cercano, pero usted seguirá siendo totalmente responsable del tiempo de viaje y demás cargas especiales de la compañía de servicio técnico, suponiendo que acepte hacer la visita de servicio técnico.

Producto fuera de garantía

BSH no tiene obligación alguna, en virtud de la ley o por otro motivo, de otorgarle ninguna concesión, incluidos reparaciones, prorrates o reemplazo del Producto, con posterioridad al vencimiento de la garantía.

Exclusiones de la garantía

La cobertura de garantía descrita en el presente documento excluye todos los defectos o daños que no fueron provocados directamente por BSH, incluidos, entre otros, alguno de los siguientes:

- Uso del Producto de maneras distintas del uso normal, habitual y previsto (incluidos, entre otros, cualquier forma de uso comercial, uso o almacenamiento en exteriores de un producto diseñado para interiores, uso del Producto en aeronaves o embarcaciones).
- Conducta indebida, negligencia, uso indebido, abuso, accidentes, descuido, operación inadecuada, omisión de mantenimiento, instalación inadecuada o negligente, adulteración, omisión de seguir las instrucciones de operación, manipulación inadecuada, servicio técnico no autorizado (incluidos "arreglos" o exploración de los mecanismos internos del electrodoméstico realizados por uno mismo) por parte de cualquier persona.
- Ajuste, alteración o modificación de cualquier tipo.
- Incumplimiento de los códigos, reglamentaciones o leyes de electricidad, fontanería o construcciones locales estatales, municipales o de condado, incluida la omisión de instalar el producto cumpliendo estrictamente con los códigos y las reglamentaciones locales de construcción y protección contra incendios.
- Desgaste habitual, derrames de alimentos, líquidos, acumulaciones de grasa u otras sustancias que se acumulen sobre el Producto, dentro o alrededor de este.
- Y cualquier fuerza o factor externo, elemental o ambiental, incluidos, entre otros, lluvia, viento, arena, inundaciones, incendios, aludes de lodo, temperaturas bajas extremas, humedad excesiva o exposición prolongada a la humedad, rayos, sobrecargas eléctricas, fallos estructurales alrededor del electrodoméstico y caso fortuito, circundantes, incluidos los gabinetes, pisos, techos y demás estructuras u objetos que se encuentren alrededor del producto. También se excluyen de esta garantía las rayas, hendiduras, abolladuras menores y daños estéticos en superficies externas y piezas expuestas; productos en los que los números de serie hayan sido alterados, modificados o eliminados; visitas del servicio técnico para enseñarle a usar el Producto o visitas en las que se determine que no hay ningún problema con el Producto; corrección de los problemas de instalación (usted es el único responsable de cualquier estructura y soporte del Producto, incluidas todas las instalaciones de electricidad y fontanería o

demás instalaciones de conexión, de la correcta instalación en bases / pisos y de cualquier alteración, incluidos, entre otros, gabinetes, paredes, pisos, repisas, etc.); y el restablecimiento de disyuntores o fusibles.

EN LA MEDIDA PERMITIDA POR LA LEY, ESTA GARANTÍA ESTABLECE SUS RECURSOS EXCLUSIVOS CON RESPECTO AL PRODUCTO, INDEPENDIENTEMENTE DE QUE LA RECLAMACIÓN SEA CONTRACTUAL O EXTRA CONTRACTUAL (INCLUIDA LA RESPONSABILIDAD OBJETIVA O LA NEGLIGENCIA), O DE CUALQUIER OTRO MODO. ESTA GARANTÍA REEMPLAZA TODAS LAS DEMÁS GARANTÍAS EXPRESAS O IMPLÍCITAS. LAS GARANTÍAS IMPLÍCITAS POR LEY, YA SEA DE COMERCIABILIDAD O APTITUD PARA UN FIN ESPECÍFICO, O DE CUALQUIER OTRO TIPO, TENDRÁN VIGENCIA ÚNICAMENTE DURANTE EL PERÍODO DE VIGENCIA DE LA PRESENTE GARANTÍA LIMITADA EXPRESA.

EN NINGÚN CASO, EL FABRICANTE SERÁ RESPONSABLE DE LOS DAÑOS CONSECUENTES, ESPECIALES, INCIDENTALES, INDIRECTOS, POR "PÉRDIDAS COMERCIALES" O DAÑOS PUNITIVOS, PÉRDIDAS O GASTOS, INCLUIDOS, ENTRE OTROS, TIEMPO FUERA DEL TRABAJO, HOTELES O COMIDAS EN RESTAURANTES, GASTOS DE REMODELACIÓN QUE SUPEREN LOS DAÑOS DIRECTOS, QUE DEFINITIVAMENTE HAYAN SIDO CAUSADOS DE MANERA EXCLUSIVA POR BSH O DE OTRO MODO. ALGUNOS ESTADOS NO PERMITEN LA EXCLUSIÓN O LIMITACIÓN DE DAÑOS INCIDENTALES O CONSECUENTES, Y ALGUNOS ESTADOS NO PERMITEN LIMITACIONES CON RESPECTO AL PLAZO DE VIGENCIA DE UNA GARANTÍA IMPLÍCITA; POR LO TANTO, ES POSIBLE QUE LAS LIMITACIONES ANTERIORES NO SE APLIQUEN A USTED. ESTA GARANTÍA LE OTORGA DERECHOS LEGALES ESPECÍFICOS, Y TAMBIÉN PUEDEN CORRESPONDERLE OTROS DERECHOS QUE PUEDEN VARIAR SEGÚN EL ESTADO.

Cualquier intento de alterar, modificar o enmendar la presente garantía no tendrá vigencia, a menos que fuera autorizado por escrito por un ejecutivo de BSH.

Nos reservamos el derecho a modificar el producto sin previo aviso.

THERMADOR® Service/Entretien/Mantenimiento

Service

We realize that you have made a considerable investment in your kitchen. We are dedicated to supporting you and your appliance so that you have many years of creative cooking.

Please don't hesitate to contact our excellent STAR™ Customer Support Department if you have any questions or in the unlikely event that your THERMADOR® appliance needs service. Our service team is ready to assist you.

USA:
800-735-4328
www.thermador.com/support

Canada:
800-735-4328
www.thermador.ca

Parts & Accessories

Parts, filters, descalers, stainless steel cleaners and more can be purchased in the THERMADOR eShop or by phone.

USA:
www.thermador-eshop.com

Canada contact:
Marcone 800-287-1627
or
Reliable Parts 800-663-6060

Entretien

Nous savons bien que vous avez investi une somme considérable dans votre cuisine. Nous nous faisons un devoir de vous soutenir pour que vous puissiez profiter pleinement d'une cuisine où vous pourrez exprimer toute votre créativité de nombreuses années durant.

N'hésitez pas à communiquer avec l'un des membres chevronnés de notre équipe de soutien au client si vous avez des questions ou dans le cas plutôt improbable où votre appareil THERMADOR^{MC} aurait besoin d'entretien. Notre équipe sera prête à vous aider.

USA:
800-735-4328
www.thermador.com/support

Canada:
800-735-4328
www.thermador.ca

Pièces et Accessoires

Vous pouvez vous procurer par téléphone ou à notre boutique THERMADOR en ligne des pièces, des filtres, des produits nettoyants pour acier inoxydable et plus encore.

USA:
www.thermador-eshop.com

Canada contact:
Marcone 800-287-1627
or
Reliable Parts 800-663-6060

Mantenimiento

Nos damos cuenta que Usted invirtió una suma considerable en su cocina. Nos dedicamos a atenderle para que pueda sacar provecho de una cocina donde podrá expresar toda su creatividad durante muchos años.

Por favor, no dude en ponerse en contacto con uno de nuestros empleados ESTRELLAS™ de atención al cliente si tiene preguntas o en el caso más bien improbable que su aparato THERMADOR® necesite mantenimiento. Nuestro equipo estará listo para ayudarle.

USA:
800-735-4328
www.thermador.com/support

Canada:
800-735-4328
www.thermador.ca

Piezas y Accesorios

Usted puede comprar piezas, filtros, productos de limpieza para acero inoxidable por teléfono o en nuestra tienda THERMADOR en línea.

USA:
www.thermador-eshop.com

Canada contact:
Marcone 800-287-1627
or
Reliable Parts 800-663-6060

Thermador 

REAL INNOVATIONS FOR REAL COOKS®

1901 Main Street, Suite 600, Irvine, CA 92614 • 800-735-4328 • www.thermador.com
9000888976 • Rev. A • 5U04TF • © BSH Home Appliances Corporation, 05/13