

USE AND CARE GUIDE



THERMADOR PROFESSIONAL® PRO GRAND® DUAL FUEL RANGES
CUISINIÈRES MIXTES PROFESSIONAL^{mc} PRO GRAND^{mc} DE THERMADOR

Thermador 
REAL INNOVATIONS FOR REAL COOKS®



USE AND CARE GUIDE

THERMADOR PROFESSIONAL® PRO GRAND® DUAL FUEL RANGES

CUISINIÈRES MIXTES PROFESSIONAL^{mc} PRO GRAND^{mc} de THERMADOR

Models

Modèles

PRD364JDGU

PRD364JDGC

PRD366JGU

PRD366JGC

PRD486JDGU

PRD486JDGC

Thermador [®]
REAL INNOVATIONS FOR REAL COOKS[®]

Congratulations on your recent THERMADOR® purchase! Whether you are a dedicated chef or simply a connoisseur of the art of cooking, owning a THERMADOR® kitchen is the ultimate expression of personal style, good taste and an appreciation for the complete culinary experience. Our award-winning products have been empowering culinary enthusiasts for more than eleven decades.

Before you begin using your new THERMADOR product, please take a moment to review the Use and Care Guide. You will find the answers to all of your questions as well as some very important safety information. Pay special attention to the **Important Safety Instructions** located at the beginning of the manual. Your THERMADOR product is ready and waiting to be used for your next gourmet creation!

Our products are handcrafted with the highest quality authentic materials to ensure years of reliable service. In the unlikely event that you have a service question, please have your model and serial numbers of your product available. You can find this information by opening the oven door and pulling the tab on the label mounting plate located on the right side of the range.

We realize that you have made a considerable investment in your kitchen. Please feel free to share your THERMADOR kitchen photos and remodeling stories with us. Follow us on Twitter or post your kitchen photos on Facebook. We would love to hear from you!

THERMADOR wishes you many years of creative cooking.

Félicitations pour votre récent achat THERMADOR^{mc}! Que vous soyez un chef enthousiaste ou un simple connaisseur de l'art culinaire, le fait de posséder une cuisine THERMADOR^{mc} représente l'expression ultime de votre style personnel, de votre bon goût et de votre intérêt à vivre une expérience culinaire complète. Nos produits primés permettent à des adeptes de la bonne bouffe d'atteindre de nouveaux sommets depuis plus de onze décennies.

Avant de commencer à utiliser votre nouveau produit THERMADOR, veuillez prendre un moment pour examiner ce guide d'utilisation et d'entretien. Vous trouverez des réponses à toutes vos questions ainsi que quelques renseignements essentiels en matière de sécurité. Portez une attention particulière aux **Instructions de sécurité importantes** se trouvant au début du guide. Votre produit THERMADOR est prêt et n'attend plus que vous l'utilisiez pour votre prochaine création gastronomique!

Nos produits sont fabriqués à la main avec des matériaux authentiques de haute qualité afin d'assurer des années de service fiable. Dans l'éventualité improbable où vous auriez une question relativement à l'entretien, veuillez avoir à la portée de la main le numéro de série et de modèle de votre produit. Vous pouvez trouver ces renseignements en ouvrant la porte du four et en tirant sur la languette de la plaque de montage situé du côté droit de la cuisinière.

Nous savons bien que vous avez investi une somme considérable dans votre cuisine. N'hésitez pas à partager avec nous les photos de votre cuisine THERMADOR et les anecdotes relatives au remodelage de votre cuisine. Suivez-nous sur Twitter ou affichez des photos de votre cuisine sur Facebook. Nous serions ravis d'avoir de vos nouvelles!

THERMADOR vous souhaite de nombreuses années de gastronomie créative.

Thermador [®]
REAL INNOVATIONS FOR REAL COOKS[®]

Table of Contents

| | | | |
|--|-----------|--|------------------|
| Safety | 1 | Sabbath Mode | 23 |
| Important Safety Instructions | 1 | Oven Functions | 24 |
| Before You Begin | 7 | Tips for Bake | 25 |
| Using Your Range for the First Time | 7 | Setting Bake/Roast | 25 |
| Range Description | 10 | Roast | 25 |
| Parts Identification — 48" Range..... | 10 | Roasting Recommendations | 26 |
| Parts Identification — 36" Range | 11 | Convection Baking..... | 26 |
| Using the Cooktop | 12 | Dehydrating with Convection Bake | 28 |
| Cookware Recommendations | 16 | Convection Baking Recommendations | 29 |
| Specialty Cookware | 17 | Keep Warm | 29 |
| Surface Burner Cooking Recommendations | 18 | Proof (48") | 30 |
| Electric Griddle (some models) | 20 | Other Uses Of Bake | 30 |
| Griddle Cooking Recommendations | 21 | Broil/Convection Broil | 31 |
| Using the Oven | 22 | Broiling & Roasting Recommendations | 32 |
| Oven Controls | 22 | Care and Maintenance | 33 |
| Kitchen Timer | 22 | Self-Cleaning the Oven | 33 |
| Cook Timer | 22 | Cleaning Recommendations | 35 |
| Meat Probe | 22 | Do-It-Yourself Maintenance | 38 |
| Minimum Internal Cooking Temps | 23 | Before Calling For Service | 40 |
| Fine Tuning the Oven | 23 | Statement of Warranty | 41 |
| | | Customer Support, Accy. & Parts | back page |

This THERMADOR® appliance is made by
BSH Home Appliances Corporation
1901 Main Street, Suite 600
Irvine, CA. 92614

Questions?

1-800-735-4328

www.thermador.com

We look forward to hearing from you!

Safety



IMPORTANT SAFETY INSTRUCTIONS READ AND SAVE THESE INSTRUCTIONS

PLEASE READ CAREFULLY

WARNING:

If the information in this manual is not followed exactly, a fire or explosion may result causing property damage, personal injury or death.

- Do not store or use gasoline or other flammable vapors and liquids in the vicinity of this or any other appliance.
- WHAT TO DO IF YOU SMELL GAS
 - Do not try to light any appliance.
 - Do not touch any electrical switch.
 - Do not use any phone in your building.
 - Immediately call your gas supplier from a neighbor's phone. Follow the gas supplier's instructions.
 - If you cannot reach your gas supplier, call the fire department.
- Installation and service must be performed by a qualified installer, service agency or the gas supplier.

WARNING:



A child or adult can tip the range over and be killed. Verify that the anti-tip bracket is securely installed. Ensure the anti-tip bracket is engaged when the range is moved.

Do not operate the range without the anti-tip bracket in place. Failure to follow the instructions in this manual can result in death or serious burns to children and adults.

Check for proper installation and use of anti-tip bracket. Carefully tip range forward pulling from the back to ensure that the anti-tip bracket engages the range aluminum cast base and prevents tip-over. Range should not move more than 1 inch (2.5cm).

Gas and Electrical Requirements and Grounding Instructions

Gas Type Verification

Verify the type of gas supplied to the location. Ensure that the appliance is connected to the type of gas for which it is certified. All models are certified for use with natural gas. Field conversion of the appliance for use with propane gas supply will require a conversion kit (included). Make certain your range and gas type are the same. Refer to the product rating label which can be located as indicated in *Figure 35 on page 40*.

CAUTION:

When connecting the unit to propane gas, make certain the propane gas tank is equipped with its own high-pressure regulator in addition to the pressure regulator supplied with the range. **The maximum gas pressure to this appliance must not exceed 14.0" water column (34.9 mb) from the propane gas tank to the pressure regulator.**

IMPORTANT:

When installing against a combustible surface, a High Shelf or Low Back guard is required. A THERMADOR® High Shelf or Low Back guard must be purchased separately. Before using the range, insure that it is equipped with a proper back guard. Refer to the *Installation Manual* accompanying this appliance for more information.

When using the Flush Island Trim, THERMADOR recommends a minimum 12" (305 mm) rear clearance to a combustible surface. Clearances from non-combustible materials are not part of the ANSI Z21.1 scope and are not certified by CSA. Clearances of less than 12" (305 mm) must be approved by the local codes and/or by the local authority having jurisdiction.



IMPORTANT SAFETY INSTRUCTIONS

READ AND SAVE THESE INSTRUCTIONS

Before using the range, ensure that it is equipped with a proper backguard. Refer to the *Installation Manual* accompanying this appliance for more information.

WARNING:

This appliance should not be installed with a ventilation system that directs air in a downward direction toward the range. This type of ventilation system may cause ignition and combustion problems with the appliance resulting in personal injury, property damage, or unintended operation. Ventilating systems that direct the air upwards do not have any restriction.

WARNING:

To avoid possible burn or fire hazard, a back guard designed specifically for this range must be installed whenever the range is used.

CAUTION:

The high shelf can get very hot! **DO NOT** place the following items on top of the high shelf:

- plastics or containers that can melt
- flammable items
- a total load over 30 lbs. (13.6 kg)

WARNING:

ALWAYS DISCONNECT THE ELECTRICAL PLUG FROM THE WALL RECEPTACLE BEFORE SERVICING THIS UNIT.

CAUTION:

FOR PERSONAL SAFETY, THIS APPLIANCE MUST BE CONNECTED TO A PROPERLY GROUNDED AND POLARIZED ELECTRICAL POWER SUPPLY.

36" Dual-Fuel Models:

240/208 volts, 60 Hz., 40 Amp electrical circuit required.

48" Dual-Fuel Models:

240/208 volts, 60 Hz., 50 Amp electrical circuit required

It is recommended that a dedicated circuit servicing this appliance be provided. See the *Installation Manual* for electrical requirements and grounding instructions.

The use of gas cooking appliances results in the production of heat and moisture.

It is the personal responsibility and obligation of you, the user, to have this appliance connected to the electrical power supply by a qualified electrician, in accordance with the National Electrical Code and/or applicable local codes and ordinances.

WARNING:

IN CASE OF AN ELECTRICAL FAILURE

If for any reason a gas control knob is turned ON and there is no electrical power to operate the electronic igniters on the range's cooktop STAR[®] burners, **turn OFF the gas control knob and wait 5 minutes** for the gas to dissipate before lighting the STAR burner manually.

To light the STAR burners manually, carefully hold a lighted match to the STAR burner ports and turn the gas control knob to HI.

During a power failure, you can use the standard cooktop STAR burners, but each must be lit with a match.

DO NOT attempt to light the two left XLO[®] STAR burners and two right XLO STAR burners manually.

These STAR burners are equipped with the ExtraLow[®] feature and cannot be lit manually.

TESTED IN ACCORDANCE WITH:

- ANSI Z21.1, Household Cooking Appliances
- CAN 1-1.1-M81, Domestic Gas Ranges
- UL 858, Household Electric Ranges
- CSA C22.2 No. 61, Household Cooking Ranges

Check your local building codes for the proper method of installation. In the absence of local codes, this unit should be installed in accordance with the National Fuel Gas Code No. Z223.1 current issue and the National Electrical Code ANSI/NFPA No. 70 current issue or the Can - B149 Installation Codes for Gas Burning Appliances and C22.1 Canadian Electrical Code Part 1.



IMPORTANT SAFETY INSTRUCTIONS

READ AND SAVE THESE INSTRUCTIONS

It is the responsibility of the owner and the installer to determine if additional requirements and/or standards apply to specific installations.

When properly cared for, your new THERMADOR PROFESSIONAL[®] range has been designed to be a safe, reliable appliance. However, use extreme care when using this restaurant caliber range as this type of appliance provides intense heat. When using kitchen appliances, basic safety precautions must be followed, including the following:

Read this Use and Care Guide carefully before using your new range, to reduce the risk of fire, electrical shock, or injury to persons.

Insure proper installation and servicing. Follow the installation instructions provided with this product. Have the range installed and electrically grounded by a qualified technician.

Have the installer show you where the electric circuit breaker and the gas supply shut off valve are located so you know how and where to turn off the gas and electricity to the range.

In the event a STAR[®] burner goes out and gas escapes, open a window or a door. **DO NOT** attempt to use the range until the gas has had time to dissipate. Wait at least 5 minutes before using the range.

DO NOT repair or replace any part of the appliance unless specifically recommended in this manual. All other servicing should be referred to a qualified technician.

Child Safety

When children become old enough to use the appliance, it is the legal responsibility of the parents or legal guardians to ensure that they are instructed in safe operation of the appliance by qualified persons.

WARNING:

DO NOT store items of interest to children above or at the back of the range. If children should climb onto the appliance to reach these items, they could be seriously injured.

DO NOT allow anyone to climb, stand, lean, sit, or hang on any part of an appliance, especially a door, or the warming drawer. This can damage the appliance, and the unit may tip over, potentially causing severe injury.

DO NOT allow children to use this appliance unless closely supervised by an adult.

Children and pets should not be left alone or unattended in the area where the appliance is in use. They should never be allowed to play in its vicinity, whether or not the appliance is in use.

NEVER use any part of the range or ovens for storage. Flammable materials can catch fire and plastic items may melt or ignite.

DO NOT hang articles from any part of the appliance or place anything against the ovens. Some fabrics are quite flammable and may catch on fire.

If the range is near a window, be certain the curtains do not blow over or near the range STAR burners; they could catch on fire.

WARNING:

TO REDUCE THE RISK OF A GREASE FIRE:

- Never leave surface units unattended at high settings. Boilovers cause smoking and greasy spillovers that may ignite. Heat oils slowly on low or medium settings.
- Always turn hood ON when cooking at high heat or when flambéing food (i.e. Crepes Suzette, Cherries Jubilee, Peppercorn Beef Flambé).
- Clean hood filters frequently. Grease should not be allowed to accumulate on fan or filter.
- Use proper pan size. Always use cookware appropriate for the size of the cooktop burner.

ALWAYS have a working smoke detector near the kitchen. In the event that personal clothing or hair catches fire, drop and roll immediately to extinguish flames.

Smother flames from food fires, other than grease fires, with baking soda. Never use water on cooking fires.

Whenever possible, do not operate the ventilation system during a cooktop fire. However, **DO NOT** reach through fire to turn it off.

NEVER let clothing, potholders, or other flammable materials come in contact with or too close to any element, top burner or burner grate until it has cooled. Fabric may ignite and result in personal injury.



IMPORTANT SAFETY INSTRUCTIONS

READ AND SAVE THESE INSTRUCTIONS

Have an appropriate fire extinguisher available, nearby, highly visible and easily accessible near the cooking appliance.

WARNING:

State of California Proposition 65 Warnings:

This product contains chemicals known to the State of California to cause cancer, birth defects or other reproductive harm.

WARNING:

TO REDUCE THE RISK OF INJURY TO PERSONS, IN THE EVENT OF A RANGE TOP GREASE FIRE, OBSERVE THE FOLLOWING:

- Smother flames with a close-fitting lid, cookie sheet, or other metal tray, then turn off the gas burner or the electric element. Be careful to prevent burns. If the flames do not go out immediately, Evacuate and call the fire department.
- Never pick up a flaming pan — You may be burned.
- **DO NOT** USE WATER, including wet dish cloths or towels — a violent steam explosion will result.
- Use an extinguisher only if:
 - You know you have a class ABC extinguisher and you already know how to operate it.
 - The fire is small and contained in the area where it started.
 - The fire department is being called.
- You can fight the fire with your back to an exit.

Use only dry potholders: moist or damp potholders on hot surfaces may cause burns from steam. **DO NOT** use a towel or other bulky cloth in place of potholders. **DO NOT** let potholders touch hot elements, hot burners, or burner grates.

For personal safety, wear proper apparel. Loose fitting garments or hanging sleeves should never be worn while using this appliance. Some synthetic fabrics are highly flammable and should not be worn while cooking.

DO NOT use aluminum foil to line any part of the oven or range. Use of a foil liner could result in a shock or fire hazard, or the obstruction of the flow of combustion and ventilation air. Foil is an excellent heat insulator and heat will be trapped beneath it. This will upset the cooking performance and can damage the finish of the oven or the range.

WARNING:

WARNING — RANGE TIPPING HAZARD:

- All ranges can tip and injury can result. To prevent accidental tipping of the range, attach it to the floor, wall, or cabinet by installing the Anti-Tip Device supplied.
- A risk of tip-over may exist if the appliance is not installed in accordance with these instructions.
- If the range is pulled away from the wall for cleaning, service, or any other reason, ensure that the Anti-Tip Device is properly reengaged when the range is pushed back against the wall. In the event of abnormal usage (such as a person standing, sitting, or leaning on an open door), failure to take this precaution can result in tipping of the range. Personal injury might result from spilled hot liquids or from the range itself.

WARNING:

The appliance is for cooking. Based on safety considerations, never use the oven or cooktop to warm or heat a room. Also, such use can damage the cooktop or oven parts.

WARNING:

NEVER cover any slots, holes, or passages in the oven bottom or cover an entire rack with materials such as aluminum foil. Doing so blocks air flow through the oven. Aluminum foil linings may also trap heat, causing a fire hazard.

WARNING:

NEVER use this appliance as a space heater to heat or warm the room. Doing so may result in carbon monoxide poisoning and overheating of the oven.



IMPORTANT SAFETY INSTRUCTIONS

READ AND SAVE THESE INSTRUCTIONS

When using the cooktop: **DO NOT TOUCH THE BURNER GRATES OR THE IMMEDIATE SURROUNDING AREA.**

Areas adjacent to the burners may become hot enough to cause burns.

Never leave the range unattended when using high flame settings. Boil overs cause smoking and greasy spillovers that may ignite. Also, if the burner flames and igniter are smothered with spillage, unburned gas will escape into the room. See *page 1* regarding gas leaks.

Only certain types of glass, heatproof glass-ceramic, ceramic, earthenware, or other glazed cookware are suitable for cooking on the range burners. This type of cookware may break with sudden temperature changes. Use only on low or medium heat settings according to the utensil manufacturer's directions.

DO NOT heat or warm unopened food containers. Build-up of pressure may cause the container to burst and cause injury.

During cooking, set the burner control so that the flame heats only the bottom of the pan and does not extend beyond the bottom of the pan.

WARNING:

Avoid using high flame setting with a pan larger than the grate or with one that spans more than one burner, such as a griddle, for prolonged periods of time. This can result in poor combustion that generates harmful by-products.

Use caution to insure that drafts like those from forced air vents or fans do not blow flammable material toward the flames or push the flames so that they extend beyond the edges of the pot.

Always use pots and pans that have flat bottoms large enough to cover the burner. The use of undersized pots and pans could expose a portion of the flame and may result in ignition of clothing.

To minimize the risk of burns, ignition of flammable materials and unintentional spillage, position handles of pots and pans inward so they do not extend over adjacent work areas, cooking areas, or the edge of the range's cooktop.

DO NOT use pots or pans on the grill plate accessory. Bakeware, such as large casserole pans, cookie sheets, etc., should never be used on the cooktop.

DO NOT use flammable cleaners to clean the range.

Hold the handle of the pan to prevent movement when stirring or turning food.

Remove the optional cutting board or griddle cover accessory, which is stored on top of the griddle plate, before operating the griddle or any adjacent burners.

GREASE IS FLAMMABLE. Let hot grease cool before attempting to handle it. Avoid letting grease deposits collect. Clean after each use.

For proper lighting and performance of the burners, keep the igniter ports clean. It is necessary to clean the ports when there is a boil over or when the burner does not light even though the electronic igniters activate. See cleaning instructions "*Brass Burner Base and Cast Iron Cap*" on *page 35*.

WARNING:

After a spill or boil over, turn off the burner and using caution due to possible hot surfaces, clean around the burner and burner ports. After cleaning, check for proper operation.

WARNING:

To avoid possible burn or fire hazard, a backguard designed specifically for this range must be installed whenever the range is used.

Clean the range with caution. Avoid steam burns; **DO NOT** use a wet sponge or cloth to clean the range while it is hot. Some cleaners produce noxious fumes if applied to a hot surface. Follow directions provided by the cleaner manufacturer.

Be sure all cooktop controls are turned off and the cooktop is cool before using any type of aerosol cleaner on or around the cooktop. The chemical that produces the spraying action could, in the presence of heat, ignite or cause metal parts to corrode.



IMPORTANT SAFETY INSTRUCTIONS

READ AND SAVE THESE INSTRUCTIONS

Place oven racks in desired position while oven is cool. If a rack must be moved while the oven is hot, do not let the potholders contact the broiler element.

When using the oven do not touch the broiler element, the interior surfaces of the oven or the exterior area immediately surrounding the door. Interior oven surfaces become hot enough to cause burns. The heat deflector, which deflects heat away from the cooktop and the trim on the top and sides of the oven door, will also be hot when the oven is in use.

Use care when opening the oven door; let hot air or steam escape before removing or replacing foods.

Before self-cleaning the oven, remove the broiler pan, oven racks, temperature probe and any other utensils, and excess spillage.

Please note that some pets or humans can be sensitive to the odors created during the self-cleaning process whether it is a manufacturing residue burn off or food, so it is recommended that those potentially affected be removed from the kitchen area during the self-clean process.

DO NOT clean, rub, damage, move or remove the door gasket. It is essential for a good seal during baking. If the gasket becomes worn or excessively soiled with food particles, replace gasket to assure a tight seal.

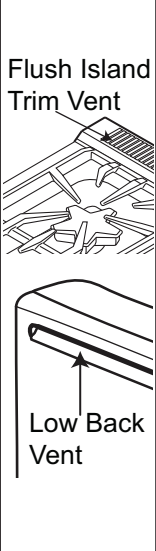
Protect the self-cleaning feature. Clean only those parts indicated in this booklet. **DO NOT** use commercial oven cleaners or oven liner protective coatings of any kind in or around the self-cleaning oven(s).

For safety reasons and to avoid damage to the range, never sit, stand, or lean on the oven door.

Service should only be done by authorized technicians. Technicians must disconnect the power supply before servicing this unit.

Listen to be sure the cooling blower runs whenever the oven controls are set to BROIL or BAKE modes, after oven heats to 300°F (149°C) — see “Automatic operation of the cooling blowers:” on page 25. If the fan does not operate, do not use the oven. Call an authorized service center for service.

DO NOT obstruct the flow of combustion or ventilation air.

| WARNING: | |
|--|---|
|  <p>Flush Island Trim Vent</p> <p>Low Back Vent</p> | <p>DO NOT block or obstruct the flow of air through the ventilation openings. The oven vent is located at the back of the appliance. The vents need to be unobstructed and open to provide necessary airflow that is important for proper oven performance.</p> <p>DO NOT touch oven vent area while the appliance is on and for several minutes after the appliance is off. Some parts of the vent and surrounding areas become hot enough to cause burns. Allow appliance sufficient time to cool before touching or cleaning vent areas.</p> <p>DO NOT position plastic or other heat-sensitive items on or near the oven vent. These items could melt or ignite.</p> |

To avoid a fire hazard, grease accumulation must be prevented by frequently cleaning the ventilation hood and filters.

In case of fire or when intentionally “flaming” liquor or other spirits on the range’s cooktop, follow manufacturer’s instructions. Use caution when cooking foods with high alcohol content (e.g. rum, brandy, bourbon) in the oven. Alcohol evaporates at high temperatures. There is a risk of burning as the alcohol vapors may catch fire in the oven. Use only small quantities of alcohol in foods, and open the oven door carefully.

DO NOT store or use corrosive chemicals, vapors, flammables, or nonfood products in or near this appliance. It is specifically designed for use when heating or cooking food. The use of corrosive chemicals while heating or cleaning will damage the appliance and could result in injury.

Before You Begin

Before using your range for the first time check that you have these items:

Table 1: Range Accessories and Parts

| DESCRIPTION | 36" 4-Burner w/ Griddle | 36" 6-Burner | 48" 6-Burner w/ Griddle |
|--|-------------------------|--------------|-------------------------|
| Full Access [®] Oven Racks, Main Oven | 3 | 3 | 3 |
| Full Access Oven Racks, Secondary Oven | 0 | 0 | 2 |
| Two-Piece Broil Pan* | 1 | 1 | 2 |
| Temperature Probe | 1 | 1 | 2 |
| STAR [®] Burner Caps | 4 | 6 | 6 |
| Burner Grates | 2 | 3 | 3 |
| Control Knobs | 7 | 8 | 9 |
| LP Conversion Kit | 1 | 1 | 1 |
| Titanium Coated Aluminum Griddle | 1 | 0 | 1 |
| Leg Cover Assemblies** | 2 | 2 | 2 |
| Flush Island Trim*** | 1 | 1 | 1 |
| Product Registration Card | 1 | 1 | 1 |
| Handy Hints Guide | 1 | 1 | 1 |
| Installation Manual | 1 | 1 | 1 |
| Use and Care Guide | 1 | 1 | 1 |

*All models have one porcelain two-piece broiler pan for the oven. The 48" models also have a small two-piece broiler pan for the Secondary Oven.

**If additional leg covers are required, they may be ordered from the service center by calling 1-800-735-4328 at no charge for up to one year after purchase date of the appliance. When ordering, refer to Leg Cover Kit part no. 751305.

***All models are supplied with a Flush Island Trim; however, see Warning concerning spacing behind the range when using the range with the Flush Island Trim.



Remove all packaging materials and temporary labels from oven and cooktop. Please, recycle the packaging material as all THERMADOR[®] packaging is recyclable.

- Check that you have the items listed in Table 1.
- Record the Model and Serial number on page 40.** See "Data Rating Labels" found on the Rating Label Plate. Rating Label Plate is located on the right side of the range between the oven cavity and side panel (see Figure 35 on page 40). These may be used for any future contacts with Customer Service. Enter this information on the Product Registration Card included with this product then mail it to the indicated address.
- Optional Accessories:** Grill Plate (PA12GRILHC), 12" Cutting Board (PA12CHPBLK), Griddle/Grill Cover (PA12CVRJ), Wok Support Ring (PWOKRINGHC), Toe Kick (PA48JTKG) and other accessories are available from your THERMADOR Dealer.

IMPORTANT:

All oven knobs and selectors must be set to OFF before powering up the range.

To prevent unintended operation at power up, please set all oven knobs to OFF. To ensure customer safety in the event of power failure, the unit will display an error message upon reinstatement of power unless all oven knobs are set to OFF. Set all oven knobs to OFF and reset the breaker to clear the message.

4. **Position the racks correctly in the oven.** The correct rack position depends on the recipe and the cooking mode. **The rack positions are numbered from the bottom of the oven, like an elevator.** Rack position 3 is the most frequently used position. Place rack(s) in the proper position before turning on the oven.

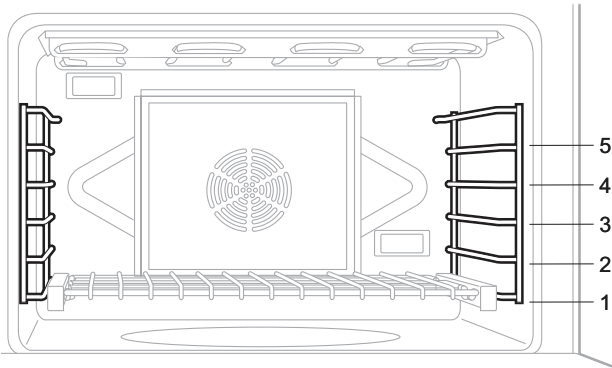
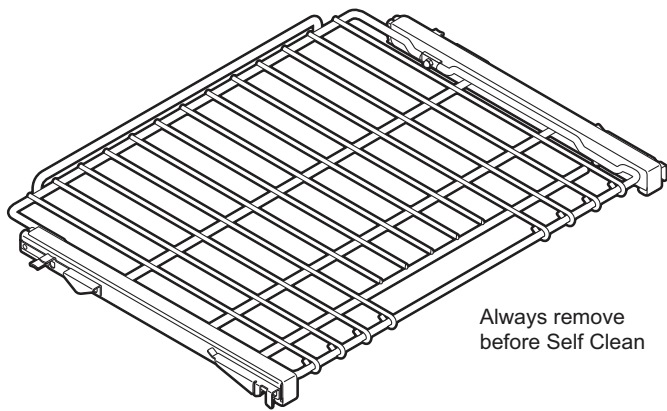


Figure 1: Main Oven Rack Positions

THERMADOR Full Access® oven racks are standard on all models. Each gliding oven rack can be pulled out and pushed back into the oven with minimal effort — even while supporting a large turkey or roast.



Always remove before Self Clean

Figure 2: Full Access Oven Rack

5. **Ensure that the burner caps are correctly seated on the burner bases of the range's cooktop** (see *Figure 13* and *Figure 14* on page 14). Turn on each burner to check for proper flame color. See “*Flame Description*” on page 15 for details.

IMPORTANT:

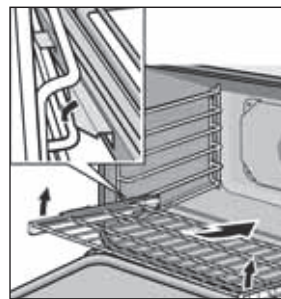
Always remove the Full Access oven racks before self-cleaning the oven. If the gliding racks remain in the oven during Self-Clean, lubricants in the glide mechanisms of each rack will be lost and the finish will discolor.



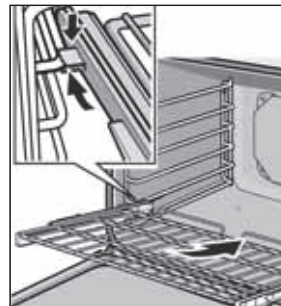
WARNING:

To help prevent burns, NEVER remove or reposition the oven racks while the oven is ON or while the oven is cooling.

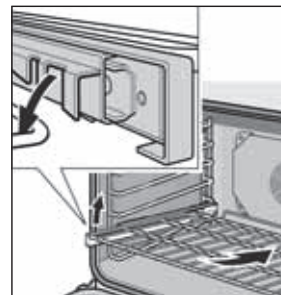
Placing Racks in the Oven:



1. Hold the rack on a slight angle. Place the safety hooks under the front of the rack guides.



2. Push the rack into the oven, lifting the rack stops over the front of the rack guides.
3. Hold the rack straight.
4. Push the rack in until it is even with the front hooks.



5. Lift the rack up.
6. Push the rack in completely.
7. Engage the rack's front hooks on the rack guides.

IMPORTANT:

When placing the gliding rack in the oven, make sure the front supports on the rack guides rest in the large slots at the front corners of the rack. This is necessary to keep the rack in the correct position while fully inserted into the oven.

Figure 3: Inserting the Oven Rack

NOTE:

It is normal for the cooling process to push heated air out into the room when the oven is on.

**CAUTION:**

Aluminum foil should never be used to cover the oven racks or to line the oven. **DO NOT** remove the broiler element in the electric oven. Improper use of aluminum foil may damage the oven.

The THERMADOR PROFESSIONAL® range occasionally has a smell or smoke when first used. These smells or smoke comes from the burning off of manufacturing residues and is typical of any new oven regardless of manufacturer. **Before baking or broiling**, the oven and broiler should be turned on to burn off the manufacturing oils using one of the two following methods:

- Turn on kitchen ventilation (or if vent hood is a recirculation type open a window). Set oven at 500°F (260°C) and let the oven go through a 2 hour cycle at high heat then shut off the oven. Please read *“Care and Maintenance” on page 33* before cleaning the oven racks.
- Turn on kitchen ventilation (or if vent hood is a recirculation type open a window). Remove oven racks. Set oven into self clean cycle and let self clean run (see *“Self-Cleaning the Oven(s)” on page 33*).

Please note that some pets or humans can be sensitive to the odors created during the self-cleaning process whether it is a manufacturing residue burn off or food, so it is recommended that those potentially affected be removed from the kitchen area during the self-clean process.

Description

Model and Parts Identification — 48" Range

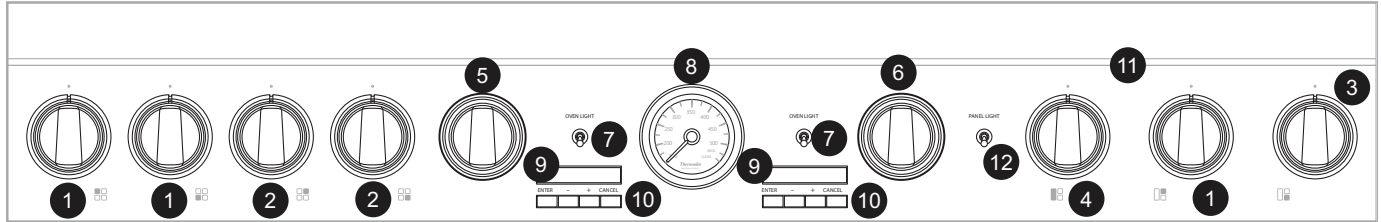
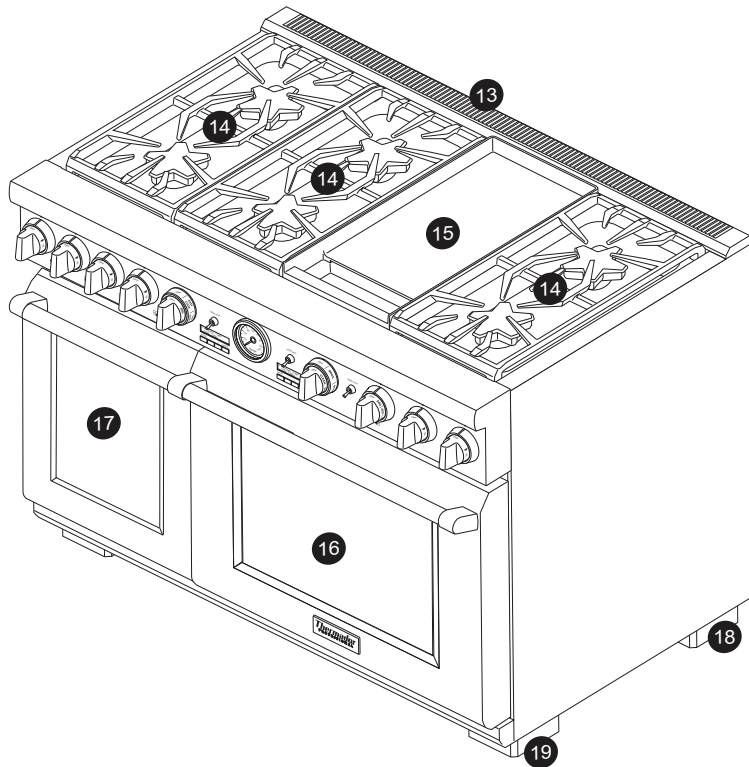


Figure 4: 48" Dual Fuel Control Panel



Key for 48" Models

1. Control Knobs, ExtraLow[®] Burners (3)
2. Control Knobs, Standard Burners (2)
3. Control Knobs, ExtraHigh[™] & ExtraLow (1)
4. Electric Griddle Knob (1)
5. Secondary Oven Control Knobs
6. Main Oven Control Knobs
7. Oven Light Switches
8. Temperature Gauge
9. Oven Display Screens
10. Oven Display Control Buttons
11. Control Panel Light
12. Control Panel Light Switch
13. Flush Island Trim (included), High Shelf or Low Back (ordered separately)
14. Burner Grates & Burners
15. Electric Griddle
16. Main Oven (3 racks included)
17. Secondary Oven (2 racks included)
18. Range Feet (2)
19. Leg Cover Assembly (4), Toe Kick (ordered separately)



WARNING:

To provide proper ventilation of the range,
DO NOT remove range feet.

Figure 5: 48" Dual Fuel Range Identification

Model and Parts Identification — 36" Range

Key for 36" Models

1. Flush Island Trim (included), High Shelf or Low Back (ordered separately)
2. Burner Grates & Burners
3. Griddle (on select models)
4. Control Knobs, ExtraLow[®] Burners (3)
5. ExtraHigh[™] & ExtraLow Burner (1)
6. Oven Control & Temperature Knob
7. Griddle Knob (on select models)
8. Oven Light and Control Panel Light Switches
9. Temperature Gauge
10. Oven Display Screen & Control Buttons
11. Oven Door
12. Range Feet (4)
13. Leg Cover Assemblies (2), Toe Kick (ordered separately)



WARNING:

To provide proper ventilation of the range, **DO NOT** remove range feet.

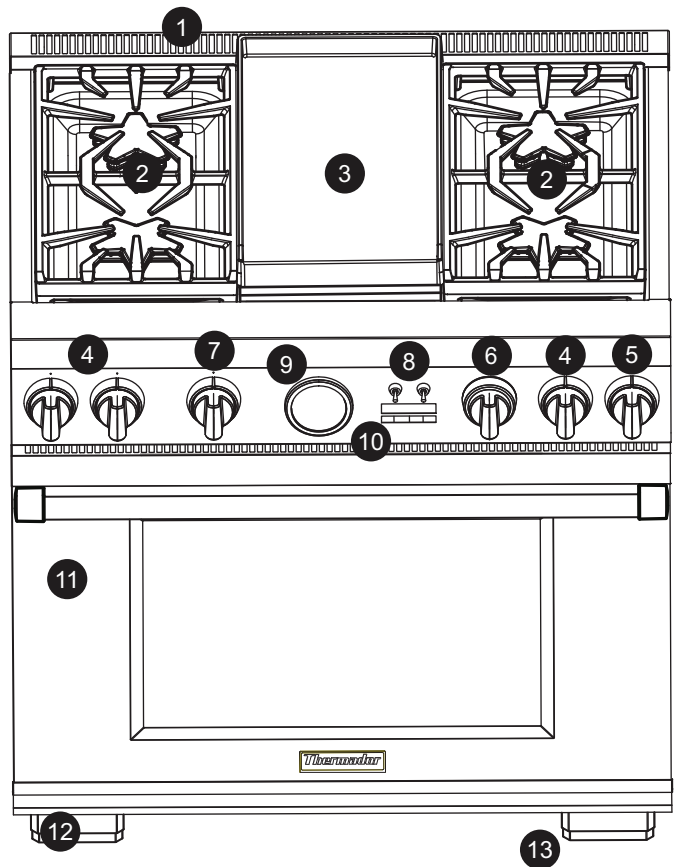


Figure 6: 36" Dual Fuel Range Identification

Main Electric Oven Interior

1. Oven Interior Lights (2)
2. Broil Element
3. Oven Temperature Sensor
4. Temperature Probe Outlet (also located on the left side of the small oven cavity on select models)
5. Rack Guides
6. Full Access[®] Oven Rack (3 included, not shown)
7. Bake Element (hidden)
8. Convection Fan Cover

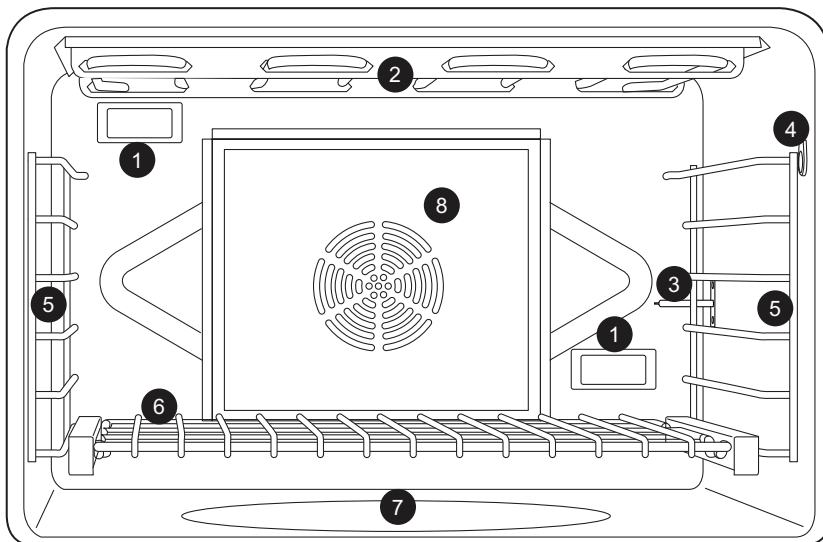


Figure 7: 48" and 36" Dual Fuel Oven Interior

Using the Cooktop

Sealed STAR® Burners

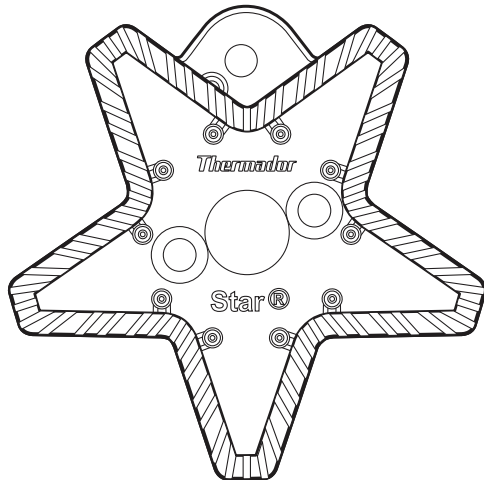


Figure 8: STAR Brass Burner Base

The cooktop features four or six gas surface STAR burners; the right-front STAR burner is rated at 22,000 BTU/HR (18,000 BTU/HR using Propane) and all other STAR burners are rated at 18,000 BTU/HR (15,000 BTU/HR using Propane).

Each burner has a unique QuickClean® base feature which allows the burner and area around the burner to be easier to clean.

On all models, the two left and two right burners have the exclusive ExtraLow® feature, any remaining burners are Standard. Each STAR® burner has its own control knob.

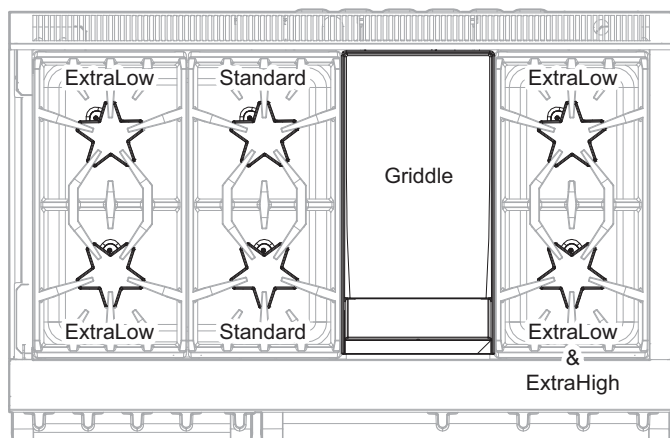


Figure 9: Burner Power Features

Control Knobs

Typically, a pair of control knobs is located on the control panel, directly in front of the pair of gas STAR burners they control — with one gas STAR burner positioned in front of the other on the rangetop.

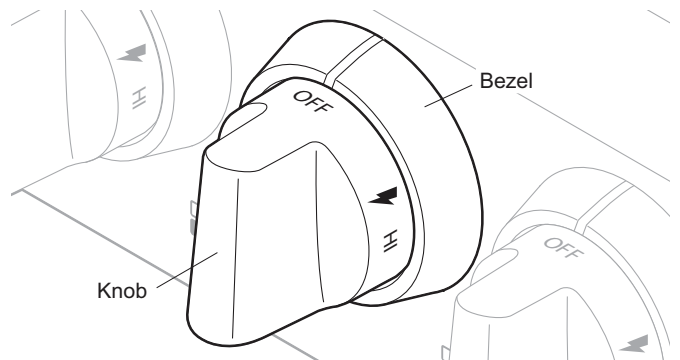


Figure 10: Standard STAR Burner Control Knob

The symbol near each burner control knob identifies the burner position on the range cooktop. The symbols shown in Figure 11 are indicative of 48" range models.

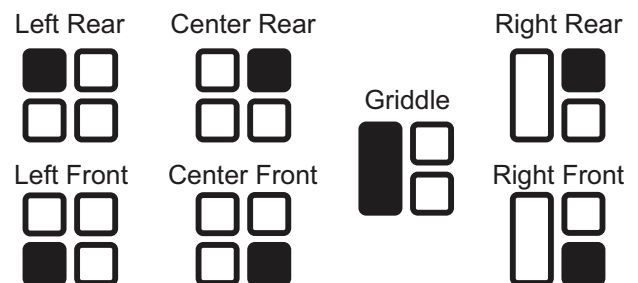


Figure 11: Cooktop Symbols

Operation of the STAR Burners

- Press in on the knob and turn it counter-clockwise to the HI setting.
- The igniter for the selected burner sparks to ignite the burner.
- After flame ignition, the igniter stops sparking.
- Rotate the knob to any flame setting between HI and SIM.
- A blue light is positioned directly above each burner control knob. The light turns on when the control knob is rotated to an active mode. It is off when the control knob is in the OFF position.

BTU Output for Standard STAR® Burners

- HI is equivalent to 18,000 BTU / HR (15,000 BTU / HR using Propane).
- SIM is equivalent to 2,100 BTU / HR.

BTU Output for ExtraLow® STAR® Burners

- HI is equivalent to 18,000 BTU / HR (15,000 BTU / HR using Propane).
- SIM is equivalent to 3,000 BTU / HR.
- XLO® is equivalent to 375 BTU / HR when the control knob is adjusted to the lowest setting in the ExtraLow range.

BTU Output for POWERBOOST®

- XHI™ for the POWERBOOST is equivalent to 22,000 BTU / HR (18,000 BTU / HR using Propane).
- SIM is equivalent to 3,000 BTU / HR
- XLO is equivalent to 375 BTU / HR when the control knob is adjusted to the lowest setting in the ExtraLow range.

ExtraLow® STAR® Burners

The controls for the two left and two right burners, front and rear, have flame settings even lower than the standard SIM settings (see *Figure 11 on page 12*).

Figure 12 shows that the control knob has an additional range between the SIM and XLO settings. When the knob is set within this range, the flame cycles off and on. By varying the length of time the flame is off and on, the heat is reduced even further to cook delicate foods. For example, these very low settings are suitable for simmering and poaching, melting chocolate and butter, holding cooked foods at temperatures without scorching or burning, etc.

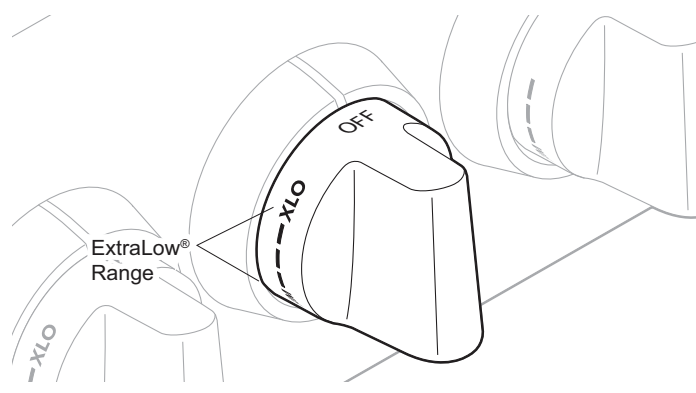


Figure 12: ExtraLow STAR Burner Control Knob

Operation of the ExtraLow® Burner

- XLO, the very lowest setting, is achieved by cycling the flame ON for approximately 7 seconds and OFF for 53 seconds of each minute.
- When the knob is rotated just beyond the SIM setting, the flame will cycle ON for approximately 54 seconds and OFF for 6 seconds of each minute.
- To vary the amount of low heat, the control can be set anywhere within the SIM and XLO range marked on the knob.

ExtraLow® Techniques

- The type and quantity of food affects which setting to use.
- The pan selected affects the setting. Its size, type, material, and whether a lid is used, all affect the consistency of the cooking temperature.
- To maintain a low or simmer heat, bring food to a rolling boil. Stir well, then cover the pan and lower the heat to a setting just below SIM.
- Check periodically to see if the control knob should be turned to another setting.
- If an over-size pan is used, the simmer action may occur mainly in the center of the pan. To equalize the temperature throughout the food, stir the food around the outer edges of the pan into the food in the center.
- It is normal to stir food occasionally while simmering. This is especially important when simmering for several hours, such as for a homemade spaghetti sauce or beans.
- When lowering the flame setting, adjust it in small steps.
- If the setting is too low to hold a simmer, bring the food back to a boil before re-setting to a higher heat.
- It is normal not to see simmer bubbles immediately after the food has been stirred.
- There may be bubbling when the flame cycles ON and no bubbles when the flame is OFF. Even when the flame is OFF, there will be steam and a slight quiver on the liquid's surface.

POWERBOOST®

The POWERBOOST, or XHI, is located at the right-front position of the rangetop. The XHI is 4,000 BTU greater on its highest setting than any other STAR Burner. It offers the convenience to quickly boil water, sear steaks, stir-fry vegetables, etc. Use of the SIM and XLO remains the same as the other XLO Knobs.

Checking Burner Cap Placement

- Check each burner to make sure there is no gap between the burner cap and burner base. See *Figure 13* and *Figure 14* for examples of correct and incorrect placements of the burner cap.
- You may gently try to move the burner caps from side to side to check if the caps are properly placed on the burner bases. When properly placed, each burner cap will rest flat on top of its burner base, and completely cover the star-shape of the burner base when viewed from the top as shown in *Figure 13*.



WARNING:

To prevent flare-ups and avoid the creation of harmful by-products, do not use the rangetop without all burner caps and all burner grates properly positioned.

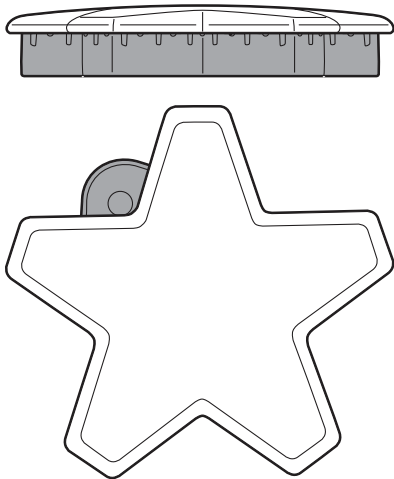


Figure 13: Correct Burner Cap Placement

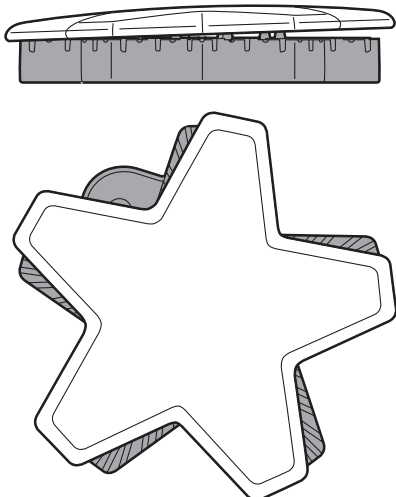


Figure 14: Incorrect Burner Cap Placement

Burner Cap Placement

The burner caps must be properly placed on the STAR burner bases for the cooktop to function properly. If the burner cap is not properly placed, one or more of the following problems may occur.

- Burner flames are too high.
- Flames shoot out of burners.
- Burners do not ignite.
- Burner flames light unevenly.
- Burner emits gas odor.



WARNING:

To prevent burns, do not touch burner caps or grates while hot. Turn the cooktop off and allow the burners to cool.

Electronic Single Point Ignition

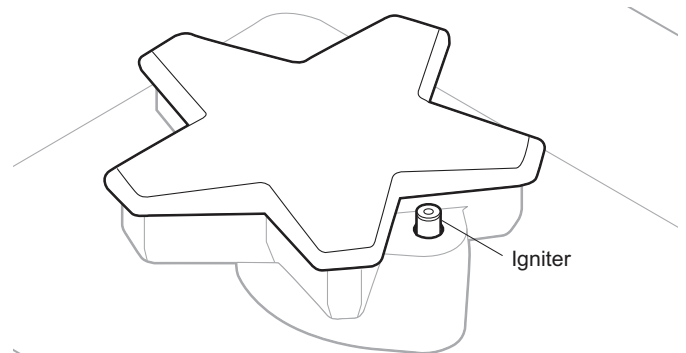


Figure 15: Igniter

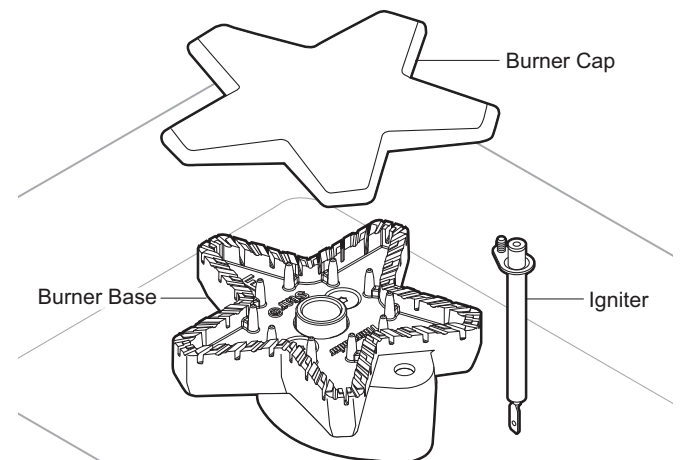


Figure 16: STAR Burner Components

Each STAR[®] burner has its own electronic igniter that sparks when the burner is turned on. Each burner should light in 4 seconds or less. If a burner does not light, check to see that the burner cap is positioned correctly on the base (see *Figure 13* and *Figure 14*).



CAUTION:

DO NOT touch the STAR burners when the igniters are sparking. Ensure that the knobs are set to OFF and the burners and caps have cooled before touching.

If a burner fails to ignite, refer to “*Before Calling For Service*” on page 40.

Automatic Re-Ignition

If any one or more burners blow out, the electronic igniter automatically activates to re-light the flame. **DO NOT** touch the STAR burners when the igniters are active.

IMPORTANT:

- For proper combustion, **DO NOT** use the cooktop without the burner grates in place.
- There is a slight sound associated with gas combustion and ignition. This is normal.
- On cooktops using propane (LP) gas, a slight “pop” sound may be heard from the STAR burner ports a few seconds after the burner has been turned off.

Power Failure

- In the event of a power failure, only the Standard burners can be manually lit. It is necessary to light each one individually.
- If the cooktop is being used when the power failure occurs, turn all knobs to the OFF position.
- The Standard STAR[®] burners can be lit by holding a match at the ports and turning the control knob to the HI position. Wait until the flame is burning all around the burner cap before adjusting the flame to the desired level.
- **DO NOT** attempt to light the two left and two right XLO[®] burners manually during a power failure. These burners are equipped with the ExtraLow[®] feature and cannot be lit manually.
- If an ExtraLow burner is on when a power failure occurs, it cannot be turned back on until the knob is first turned to the OFF position.
- The griddle or grill accessory cannot be used during a power failure.
- If you smell gas, refer to safety precautions listed on page 1.



WARNING:

In the event of a power failure, turn all knobs to the OFF Position. Only the Standard burners can be lit manually.

Flame Height

- The correct flame height depends on 1) size and material of pan being used; 2) food being cooked; and 3) amount of liquid in the pan.
- Never extend the flame beyond the base of the pan.
- Use a low or medium flame for pan materials that conduct the heat slowly, such as porcelain coated steel or glass-ceramic.

Flame Description

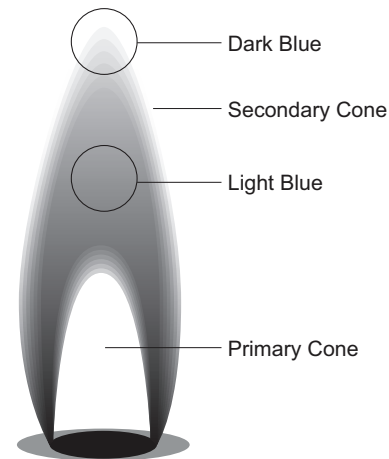


Figure 17: Flame Colors

- The burner flame color should be blue with no yellow on the tips. It is common to see orange in the flame color; this indicates the burning of airborne impurities and will disappear with use
- With propane (LP) gas, slight yellow tips on the primary cone are normal.
- The flame should burn completely around the burner cap. If it doesn't, check that the cap is positioned correctly on the base and that the ports are not blocked.
- The flame should be stable with no excessive noise or fluttering.

Cookware Recommendations



WARNING:

To avoid risk of serious injury, damage to appliance or cookware, please observe the following:

- Bakeware, such as large casserole pans, cookie sheets, etc. should never be used on the cooktop.
- Placement of large stock pots should be staggered when used on the cooktop.

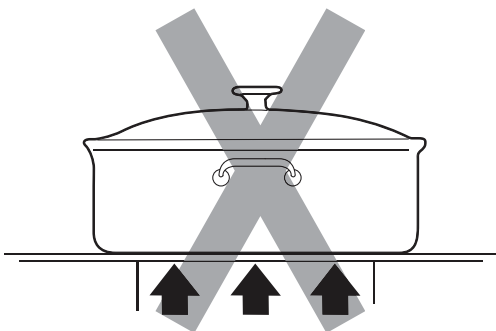


Figure 18: Base Diameter

- Select the base diameter to match the diameter of the flame. The diameter of the flame should be the same size as the pan base or slightly smaller. Oversize or under size pans sacrifice cooking performance. A 5½" (140 mm) base size is generally the smallest recommended.
- Avoid using high flame setting with a pan larger than the grate or with one that spans more than one burner, such as a griddle, for prolonged periods of time. This can result in poor combustion that generates harmful by-products.



Figure 19: Balanced Pan

- Balance is important for stability and even cooking. The handle must not be heavier than the pan and tilt it unevenly. A pan must sit level on the grate without rocking or wobbling.
- Food packaged in aluminum foil should not be placed directly on the burner grate. Aluminum foil can melt during cooking.

- Do not let plastic, paper or cloth come in contact with a hot burner grate. They may melt or catch fire.
- Never let a pan boil dry. This can damage your pan and the cooking surface.
- Professional quality pans with metal handles are recommended because plastic handles can melt or blister if the flame extends up the side of the pan. Professional quality pans are found at restaurant supply stores and gourmet specialty shops. All cookware should have these characteristics: good heat conductivity, good balance, correctly sized base diameter, a heavy, flat base, and a proper fitting lid.
- For best cooking results, the flame should be contained under the bottom of the pan.
- Aluminum and copper are pan materials that conduct the heat quickly and evenly. These metals are sometimes attached to the base or in the core between stainless steel.

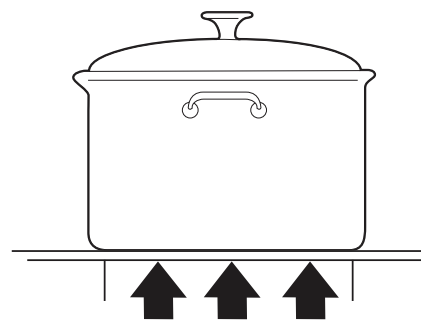


Figure 20: Flat Base Pan

- A heavy, flat base is more apt to remain flat when heated. Pan bases that are warped, dented, ridged or too lightweight will heat unevenly. Heat and cool pans gradually to avoid sudden temperature changes which tend to distort cookware. Do not add cold water to a hot pan.
- A properly fitting lid will shorten cooking time and make it possible to use lower heat settings.

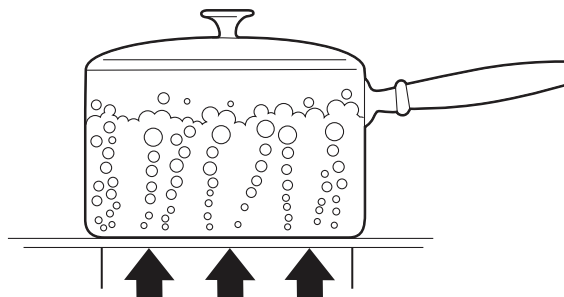


Figure 21: Covered Pan

Specialty Cookware

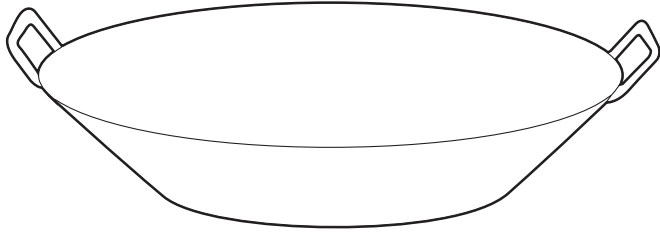


Figure 22: Flat-bottom Wok Pan

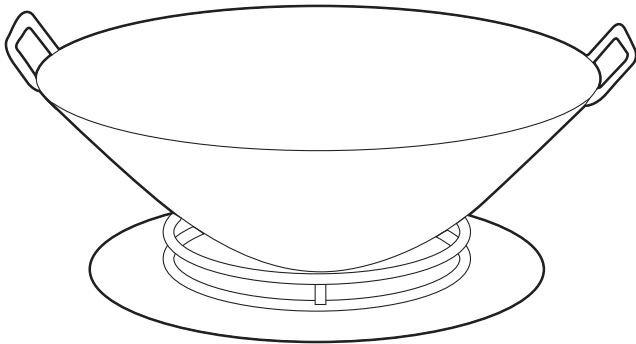


Figure 23: Round-Bottom Wok in Support Ring

Woks — Either flat based or round bottom woks with the accessory ring can be used on all models. Round bottom woks must be used with a support ring. The Wok pan and the porcelain-coated cast iron wok support ring must be purchased separately (PWOKRINGHC).

Canners and Stock Pots — Select one with a base diameter that extends no more than 2" (51mm) beyond the grate.

Standard Size Water Bath Canner — 21 to 22 quarts (19.95 to 20.9 liters), with an 11" to 12" base (279–305 mm) and a 9" to 11" depth (229–279 mm).

Standard Size Pressure Canner — 8 to 22 quarts (7.6 to 20.9 liters), with an 8" to 11" base (203–279 mm) and a 6½" to 12" depth (165–305mm).

Canning Tips:

- A flat base pan is preferred to one with a concave, convex or rippled base.
- When using two canners at the same time, use staggered burners. Do not block air to the burners. A flame needs the right amount of air for complete combustion.
- Use a cover on a canner when bringing the contents to a boil.
- Once the contents have reached a boil on HI, use the lowest flame possible to maintain the boil or pressure.
- Canning produces a large amount of steam. Take precautions to prevent burns.

Suggestions For Using the Recommendations

Use the chart on *page 18* through *page 19* as a guide. The settings you use will vary depending on the pans selected and the starting temperature of the food.

On the chart, the "Finish Setting" has been separated for the Standard and ExtraLow[®] STAR[®] burners. There may or may not be a change between the two burner settings.

The ExtraLow setting can be either a cooking or a holding setting.

Raise or lower the flame setting gradually. Allow time for the pan and the food to adjust to the new setting.

Surface Burner Cooking Guide

| Food | Start Setting | Finish Setting Standard STAR® Burners | Finish Setting ExtraLow® (XLO®) STAR® Burners |
|---|--|---|---|
| BEVERAGES Cocoa | MED – heat milk, cover | SIM – finish heating | XLO – keep warm, cover* |
| BREADS French Toast, Pancakes, Grilled Sandwiches | MED – preheat skillet | SIM to MED – cook | Same as for Standard STAR Burners |
| BUTTER Melting | SIM – to start melting | | Allow 5 – 10 minutes to melt |
| CEREALS Cornmeal, Grits, Oatmeal | HI – cover, bring water to a boil, add cereal | SIM to MED – finish cooking according to package directions | Same as for Standard STAR Burners XLO – to hold, cover* |
| CHOCOLATE Melting | XLO – may be stirred to hasten melting | | XLO – allow 10 – 15 minutes to melt XLO – to hold* |
| DESSERTS Candy | SIM to MED – cook following recipe | SIM to MED | Same as for Standard STAR Burners |
| Pudding and Pie Filling Mix | SIM to MED SIM – cook according to package directions | SIM | Same as for Standard STAR Burners |
| Pudding | SIM to MED SIM – bring milk to a boil | SIM | Same as for Standard STAR Burners |
| EGGS Cooked in Shell | MED HI – cover eggs with water, add lid, bring to boil | | XLO – cook 3 – 4 minutes for soft cooked; or 15 – 20 minutes for hard cooked |
| Fried, Scrambled | SIM to MED – melt butter, add eggs | SIM finish cooking | Same as for Standard STAR Burners XLO – to hold for a short period* |
| Poached | HI – bring water to the boiling point, add eggs | SIM to MED – finish heating | Same as for Standard STAR Burners |
| MEAT, FISH, POULTRY Bacon, Sausage Patties | MED HI – until meat starts to sizzle | SIM to MED – finish cooking | Same as for Standard STAR Burners |
| Braising: Swiss Steak, Pot Roast, Stew Meat | MED HI – melt fat, then brown on MED HI , add liquid, cover | | XLO – Simmer until tender |
| Quick Frying: Breakfast Steaks | MED HI – preheat skillet | MED HI – fry quickly | Same as for Standard STAR Burners |
| Frying: Chicken | MED HI – heat oil, then brown on MED | SIM – cover, finish cooking | Same as for Standard STAR Burners |
| Deep Frying: Shrimp | MED HI – heat oil | MED to MED HI – to maintain temperature | Same as for Standard STAR Burners |

* These foods should be stirred occasionally.

| Food | Start Setting | Finish Setting Standard STAR® Burners | Finish Setting ExtraLow® (XLO®) STAR® Burners |
|---|---|---|--|
| Pan Frying: Lamb Chops, Thin Steaks, Hamburgers, Link Sausage | MED HI – preheat skillet | MED – brown meat | Same as for Standard Burners XLO – to hold |
| Poaching: Chicken, whole or pieces, Fish | MED HI – Cover, bring liquids to a boil | | To finish cooking |
| Simmering: Stewed Chicken, Corned Beef, Tongue, etc. | HI – cover, bring liquid to a boil | | XLO – to simmer slowly XLO – to hold, cover |
| PASTAS Macaroni, Noodles, Spaghetti | HI – bring water to a boil, add pasta | MED HI to HI – to maintain a rolling boil | Same as for Standard Burners |
| POPCORN (use a heavy, flat bottom pan) | HI – cover, heat until kernels start to pop | MED HI – finish popping | Same as for Standard Burners |
| PRESSURE COOKER Meat | MED HI to HI – build up pressure | SIM to MED – maintain pressure | Same as for Standard Burners |
| Vegetables | HI – build up pressure | SIM to MED – maintain pressure | Same as for Standard Burners |
| RICE | HI – cover, bring water and rice to a boil | SIM – to maintain Low Boil. Cover and cook until water is absorbed | Same as for Standard Burners XLO – to hold, cover |
| SAUCES Tomato Base | MED HI – cook meat/vegetables, follow recipe | SIM – to maintain simmer | XLO – simmer to thicken sauce, uncovered |
| White, Cream, Bernaise, | MED – melt fat, follow recipe | SIM – finish cooking | XLO – to hold, cover* |
| Hollandaise | XLO | | XLO – to hold, lowest setting for short period, stir frequently |
| SOUPS, STOCK | HI – cover, bring liquid to a boil | SIM to maintain simmer | Simmer XLO – to hold, cover* |
| VEGETABLES Fresh | HI – cover, bring water and vegetables to a boil | SIM to MED – cook 10 minutes, or until tender | Same as for Standard Burners XLO – to hold, cover |
| Frozen | HI – cover, bring water and vegetables to a boil | SIM to MED – cook according to package directions | Same as for Standard Burners |
| Deep Frying | HI – heat oil | MED to MED HI – maintain frying temperature | Same as for Standard Burners |
| In Pouch | HI – bring water and pouch to a boil | SIM to MED – cook according to package directions | Same as for Standard Burners |
| Saute | HI – heat oil or melt butter, add vegetables | SIM to MED – cook to desired doneness | Same as for Standard Burners |
| Stir Fry | HI – heat oil, add vegetables | HI to MED HI – finish cooking | Same as for Standard Burners |

* These foods should be stirred occasionally.

Using the Electric Griddle (available on some models)



Description

The built-in griddle is made of restaurant-quality aluminum that has a non-stick titanium coating. This produces a surface with even heat that is easy to clean.

A maple chopping block (PA12CHPBLK), stainless steel cover (PA12CVRJ), and coated-aluminum grill plate (PAGRILHC) are available as accessories and are purchased separately. The maple chopping block and stainless steel cover are sized to fit on top of the surface when the griddle is not being used. The coated-aluminum grill plate accessory is designed to replace the griddle plate. See the instructions that come with the grill plate accessory for more details.

The maple chopping block and stainless steel cover must be removed before turning the griddle on.

- The electric griddle element is rated 120 volts AC, 1,630 watts.

| |
|---|
|  CAUTION: |
| The griddle element is hot after use. Allow sufficient time for griddle components to cool before cleaning. |
|  WARNING: |
| To avoid risk of injury, NEVER operate griddle without the griddle plate installed. NEVER use griddle in a manner that is not prescribed by the Use and Care Guide. |

The griddle plate (or grill plate accessory) must always be in place when the griddle is turned on.

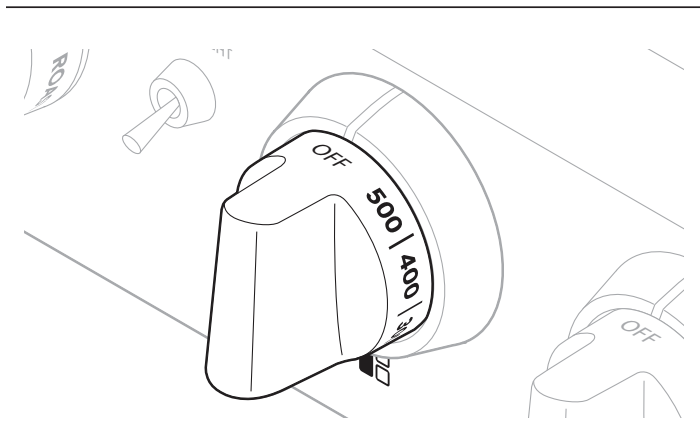


Figure 24: Griddle Control Knob

- The griddle is electronically controlled with temperatures marked on the knob from 150 – 500°F (66 – 260°C).
- There are no fixed settings on the knob.
- Press and turn the knob clockwise to the temperature setting.

Preparing the Griddle

If the range is equipped with an electric griddle, check the griddle frame adjustment by pouring two tablespoons of water on the back of the griddle plate. The water should slowly roll into the grease tray. If not, adjust the two screws under the back of the frame. Start with one half turn counterclockwise (CCW) of the screws. Further adjustment should be made by one-quarter turn until water slowly flows into the grease tray (*Figure 25*).

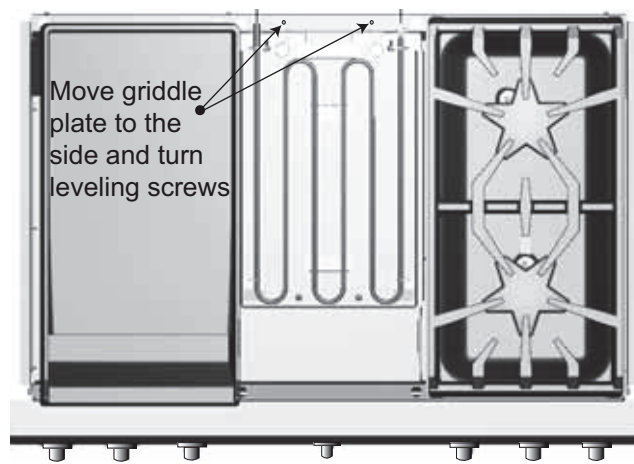


Figure 25: Griddle Plate Leveling Screws

The griddle plate should be washed with warm soapy water then rinsed with clear water prior to use. The griddle may be used without any butter, margarine or oil. However, a very small amount may be used to flavor foods.

Any utensil may be used on the griddle surface. Care should be taken that the surface is not gouged when utensils are used. **DO NOT** cut directly on the griddle plate.

NOTICE:

Griddle/Grill performance may vary if there is an excessive amount of airflow in the vicinity of the appliance. The excessive airflow could be from an air-conditioning register or ceiling fan blowing at the cooktop. This could create longer than normal heat-up time, or it could cause the Griddle/Grill temperature to be higher or lower than the knob setting.

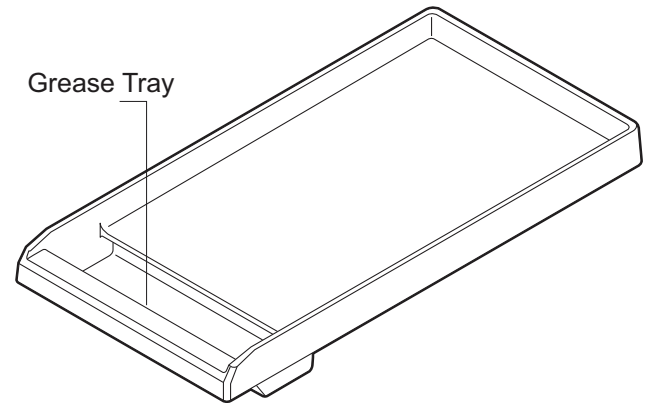
NOTE:

Having a properly installed ventilation hood is not considered a source of excessive airflow.

Griddle Cooking Recommendations

| FOOD * | SETTING |
|--|----------------------------------|
| Eggs | 325°F – 350°F (160°C – 180°C) |
| Bacon, Breakfast Sausage | 450°F – 475°F (230°C – 245°C) |
| Toasted Sandwiches | 375°F – 400°F (190°C – 200°C) |
| Boneless Chicken Breasts | 425°F – 450°F (220°C – 230°C) |
| Boneless Pork Chops, 1" (25.4 mm) thick | 425°F – 450°F (220°C – 230°C) |
| Steaks, 1" (25.4 mm) thick | 450°F – 475°F (230°C – 245°C) |
| Ground Beef Patties, 6 ounces | 450°F – 475°F (230°C – 245°C) |
| Ground Turkey Patties, 6 ounces | 450°F – 475°F (230°C – 245°C) |
| Hot Dogs | 350°F – 375°F (180°C – 190°C) |
| Ham Slices, ½" (12.7 mm) thick | 350°F – 375°F (180°C – 190°C) |
| Pancakes, French Toast | 400°F – 425°F (200°C – 220°C) |
| Potatoes, Hash Browns | 400°F – 425°F (200°C – 220°C) |

* Level foods to a uniform thickness to ensure even cooking.

Griddle Grease Tray**Figure 26: Grease Tray**

- Clean the tray after every use. When removing the tray, use care when tipping it so that the contents do not spill.
- The griddle plate and its grease tray are dishwasher safe.
- After cooling, pour the grease into a grease-resistant container for disposal.

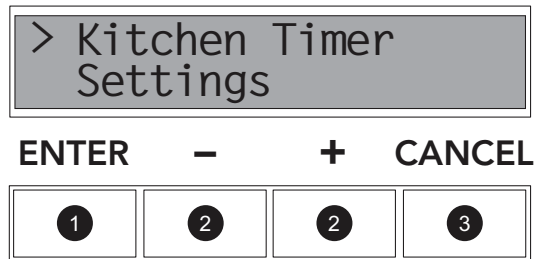
Cooking on the Griddle

1. Turn the knob to the appropriate cooking temperature to preheat the griddle.
2. Preheat until the griddle light goes off.
3. Add butter, margarine, oil or shortening if desired.

Using the Oven

Extended Cooking Functions

Oven Setting Controls



1. **ENTER** verifies a selection
2. (-) decreases and (+) increases time and/or temperatures, it is also used to scroll through menu items: Kitchen Timer, Cook Timer, Offset, and Sabbath oven functions.
3. **CANCEL** clears all oven operations.

Figure 27: Oven Setting Controls

Kitchen Timer

The Kitchen Timer can be set for up to *12 hours*. It can be used despite whether the range is in operation and independently of all other functions.

Cook Timer

The Cook Timer is intended to mechanically shut the oven off when the desired cooking time is complete. The Cook Timer function is available for all of the primary cooking modes except for Self-Clean mode.

To set the timer:

1. Press **ENTER**.
2. Use the "+" and "-" buttons to select either **KITCHEN TIMER** or **COOK TIMER**.
3. Press **ENTER**.
4. Press the "+" and "-" buttons to select desired time.
5. A beep sounds when the timer ends. Press **CANCEL** to terminate the beep and timer.

NOTE:

- Cook Time cannot be used if a temperature probe is in use.
- The maximum Cook Time setting is 12 hours.

Probe

The meat probe allows you more control over how your foods are cooked by automatically disabling the specified cooking mode when a dish's desired temperature, defined by the cook, has been reached. The probe expresses the current temperature of the meat as it cooks.

Programming the meat probe

1. In the large oven, or in the small oven on select models, locate the outlet (Figure 28).

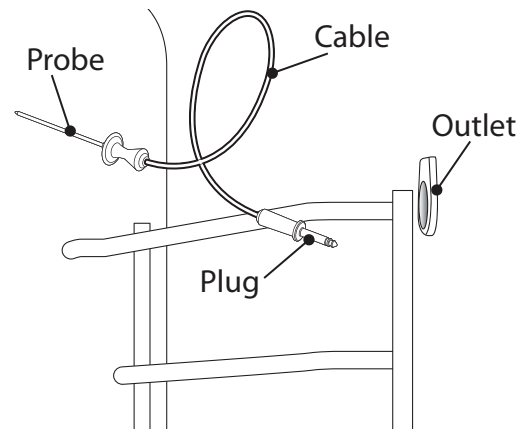


Figure 28: Meat Probe

2. Insert the plug end into the outlet.
 - Control screen will automatically display **PROBE** and default to 120°F (49°C).
3. Insert probe end into the meat.
 - To avoid damaging the probe, ensure that the meat is fully defrosted before inserting the probe.
 - Insert the probe until its tip is rested in the center of the thickest, meatiest portion of the meat. Ensure that the probe does not touch bone, fat, or gristle.
 - The probe should not touch any part of the cooking dish or parts of the oven, as this will affect the accuracy of the results.
4. Close the oven door.
5. Press the (-) to decrease or (+) to increase to the desired internal temperature to be met.

6. Select the desired *cooking mode* and *oven temperature* using the knobs on the control panel.
 - The probe function is only available for *Bake*, *Convection Bake*, and *Roast* modes.
 - Probe is not available when Cook Timer has been set.
 - The range for the probe temperature is between 120°F (49°C) and 200°F (93°C).
 - The oven display indicates the current temperature of the meat as it cooks.
7. When the actual probe temperature reaches the desired set temperature, the cooking mode will be finished and the “end of cook timer” will beep to indicate that the cooking process has concluded.

| Minimum Internal Cooking Temperatures | |
|---|--------------|
| The minimum internal temperatures that foods must reach to be considered safe to eat, as determined by the <i>U. S Department of Agriculture Food Safety and Inspection Service</i> , are as follows: | |
| Fresh ground beef, veal, lamb, pork | 160°F (72°C) |
| Beef, veal, lamb roasts, steaks, chops | |
| Medium rare | 145°F (63°C) |
| Medium | 160°F (71°C) |
| Well done | 170°F (77°C) |
| Fresh pork roasts, steaks, chops | |
| Medium | 160°F (72°C) |
| Well done | 170°F (77°C) |
| Ham | |
| Cook before eating | 160°F (72°C) |
| Fully cooked, to reheat | 140°F (60°C) |
| Poultry | |
| Ground chicken, turkey | 165°F (74°C) |
| Whole chicken, turkey | 180°F (82°C) |
| Breasts, roasts | 170°F (77°C) |
| Thighs and wings | 180°F (82°C) |
| Stuffing (cooked alone or in bird) | 165°F (74°C) |
| Egg dishes, casseroles | 160°F (72°C) |

Probe Care and Use

- To avoid damaging your probe, do not pull on the cable when trying to remove it from a dish.
- Do not use tongs or other instruments to pry on the probe when removing it or to ‘hammer’ the probe into a food dish.
- Do not wash probe in the dishwasher; use warm, soapy water instead to clean it.
- To prevent possible burns, wait until the oven has cooled before trying to remove the probe from the outlet.
- Do not store probe inside the oven.

Fine Tuning the Oven

The Offset feature allows the cook to further fine-tune their cooking parameters to their own personal optimal settings by allowing them to adjust the temperature offset of the oven by +/-25°F (14°C) in increments of 5°F. For example, if the cook judges the oven temperature as too hot and wants to lower it by 5°F, press the “-” button. To increase the temperature by 5°F, press the “+”. This feature is useful if you find that food is consistently either too brown or too light for your tastes.

- The oven must be turned off in order to set an offset value.
- The Offset feature is available for all modes except Self-Clean.
- By default, the temperature is set at 0°.
- The unit will continue to run the input offset value indefinitely until the user manually changes it, or until the unit loses power, in which case Offset will need to be reset.

Using the Sabbath Mode

Sabbath Mode is for faiths with “No Work” requirements on the Sabbath. The cook can prepare a meal prior to a holiday and then leave it in the always-warm oven until it is ready to be eaten.

- The oven lamp is disabled in Sabbath mode to prevent any action from occurring at any time the door is opened.
- The gas burners and griddle on the cooktop are still fully functional during Sabbath Mode.
- Sabbath Mode is only available when the range is not already in another active cooking mode or Self-Clean.
- After a power outage the unit will return to a disabled state. All elements and lights will be deactivated until the knobs are turned to the OFF position and the unit is reset. Opening the door will have no effect.
- Temperature may not be adjusted for the duration of the Sabbath mode.

To set Sabbath Mode:

1. Place prepared food in oven.
2. Using the “+” or “-” buttons, select SABBATH.
3. Use the “+” or “-” buttons to select one of three duration times: 26 hours, 50 hours, or 74 hours. Press **ENTER**.
4. The display will prompt the user to set BAKE and TEMP.
5. When the timer reaches “0:00”, the cooking mode will be finished and the display will beep. The oven will automatically turn off when the specified cooking time is complete.

Oven Functions

Tips for Bake

Preheating the Oven

Most cooking times in recipes are designed for a preheated oven and require that the oven already be at a certain temperature before cooking starts. Refer to your recipe for preheating recommendations. Preheating time depends on the temperature setting and the number of racks in the oven (refer also to "To Set Self-Clean Ovens" on page 34).

Getting the Best Results

- Minimize opening the door:
 - Use the built-in timer.
 - Use the interior oven light.
- Use the rack position recommended by the recipe.
- Use the bakeware recommended in the recipe.
- Store the broiler pan(s) outside the oven. An extra pan without food, affects the browning and cooking.
- The type of pan used affects the browning:
 - For tender, golden brown crusts, use light non-stick/anodized or shiny metal pans.
 - For brown crisp crusts, use dark non-stick/anodized or dark, dull metal pans or glass bakeware. These may require lowering the bake temperature 25°F (14°C).

Bakeware Type

- Metal bakeware (with or without a non-stick finish), heat-proof glass, glass-ceramic, pottery, or other utensils are suitable for the oven.
- Suitable cookie sheets have a small lip on one side. Heavy sheets or those with more than one side may affect the baking time.
- The 36" and 48" (914 mm and 1219 mm) ovens will hold a full-sized commercial baking sheet (18" x 26") (457 mm x 660 mm).

Bake Rack Positions

- Rack level positions in the oven are numbered like an elevator. Number one level is the lowest (*Figure 29*).

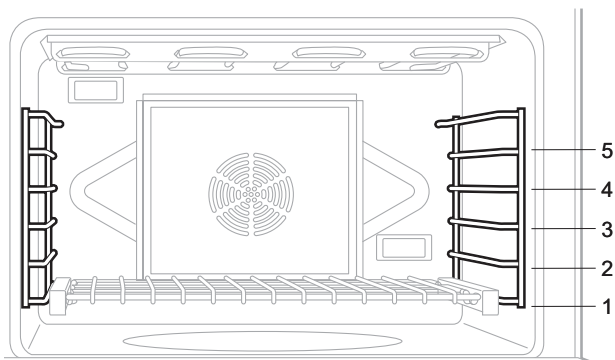


Figure 29: Large Electric Main Oven with Rack Positions

Placement

- Allow at least 1" (25.4 mm) of space between the pans and the oven walls so heat can circulate around each pan.
- Stagger bakeware so that one is not directly above another. Allow 1½" (38 mm) above and below each pan.

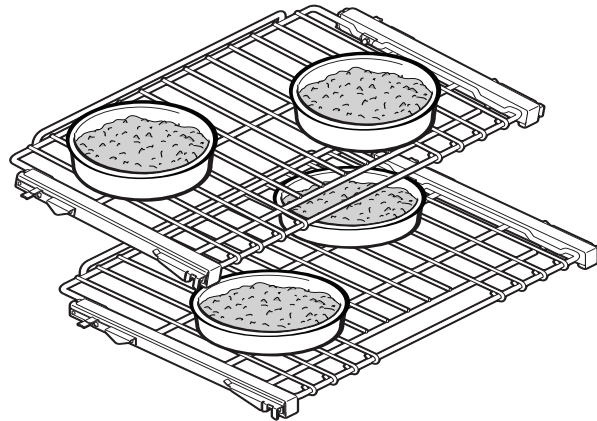


Figure 30: Pan Placement

Large Main Oven

One Rack Baking

- The Bake mode is best for baking on one rack with rack level #3 used for most baked items. If the item is tall, such as an angel food cake, rack level #2 may be used. Pies are best baked on rack level #2 to make certain the bottom of the crust is done without over browning the top. When large pieces of meat or poultry are roasted, such as a prime rib of beef or a turkey, rack level #2 is the preferred rack.

Two Rack Baking

- Casserole dishes may also be baked using these rack levels #2 and #4. The Convection Bake mode may also be used.

Three Rack Baking

- If three-rack baking is desired, the Convection Bake mode should be used.

Secondary Oven (48" Models)

- Baking on rack #3 will result in the best product. When additional height is needed, rack #2 may be used. The use of rack #2 with pies will result in a crisp bottom crust without over baking the top.

NOTE:

Rack positions are general recommendations for baking; however, if a recipe calls for a different rack position than those given, then the recipe or package directions should be followed.

Setting Bake & Convection Bake, Roast & Convection Roast

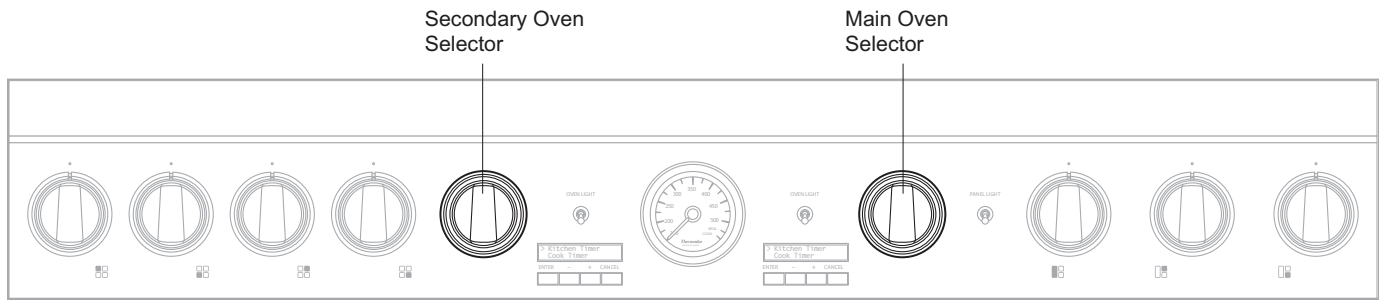


Figure 31: 48” Model Control Panel

To Set the Ovens

1. Place rack in desired rack position and shut the door.
2. Set Mode Selector Ring (Figure 32) to Bake, Convection Bake, Roast, or Convection Roast.

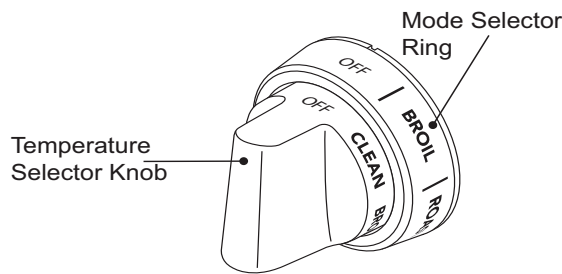


Figure 32: Mode Selector Ring & Temperature Knob

3. Set Temperature Selector Knob to desired temperature setting.
 - If using Convection Bake, set the Temperature Selector Knob 25°F/ 14°C below the temperature suggested in the recipe. No variation in temperature setting is necessary if roasting meats or poultry.
4. After both knobs have been turned to the desired setting, the readout will display “Preheating [] ...” with the selected cooking mode (for example, “Bake”) and the desired temperature (“350°F”).
5. The temperature gauge will start to move toward the temperature setting. The temperature gauge reflects the temperature setting.
 - The needle of the temperature gauge will move to the new selected temperature setting if the temperature setting is increased or decreased.
 - **The gauge is for reference only.**
 - As the oven cools down, the temperature gauge will reduce, to reflect the cooling oven temperature.
6. After oven has preheated, place food inside.

Automatic operation of the cooling blowers:

The cooling blowers activate after the oven reaches 300°F (149°C). When the oven is turned off, the blowers remain on until the oven temperature cools below 250°F (121°C).

DO NOT continue to use the ovens if the cooling blower fails to activate while baking. Call a qualified service agency to repair the range.

Roast

Roast has more top heat than traditional Bake. This additional top heat is for conventional open roasting when drippings are desired.

Roast Mode Tips

- Roast mode is excellent for less tender meats or poultry when meat is braised in a covered dish.
- Add liquids, such as water, juice, wine, bouillon or stock for flavor and moisture.
- Roasting bags are suitable to use in this mode.
- When roasting whole chickens or turkey, tuck wings behind back and loosely tie legs with kitchen string.

Roasting Recommendations

| MEAT AND POULTRY IN COVERED PAN | OVEN TEMPERATURE | RACK LEVEL | COOK TIME | END TEMP |
|---------------------------------|------------------|------------|----------------------------|--------------|
| Beef: | | | | |
| Pot roast, 3 – 4 pounds | 350°F (180°C) | 1 | 40 – 60 minutes per pound | 170°F (80°C) |
| Beef brisket | 350°F (180°C) | 2 | 50 – 60 minutes per pound | 170°F (80°C) |
| Beef chuck | 350°F (180°C) | 1 | 45 – 55 minutes per pound | 170°F (80°C) |
| Meatloaf | 350°F (180°C) | 3 | 60 – 90 minutes total time | 170°F (80°C) |
| Poultry: | | | | |
| Chicken, whole | 375°F (190°C) | 2 | 18 – 21 minutes per pound | 180°F (80°C) |
| Chicken, pieces | 375°F (190°C) | 2 | Total time 60 minutes | 180°F (80°C) |
| Turkey, whole | 325°F (165°C) | 2 | 11 – 15 minutes per pound | 180°F (80°C) |
| Pork: | | | | |
| Shoulder | 325°F (165°C) | 1 | 35 – 40 minutes per pound | 170°F (75°C) |
| Smoked ham, half | 325°F (165°C) | 1 | 2 – 3 hours total | 170°F (75°C) |

Convection

Cooking with Convection

There are many advantages to cooking with convection. In the convection system, a fan in the back of the oven moves heated air evenly around the oven. The moving air provides even heat so foods can be placed on any rack level with consistent results. Multiple racks of foods can be cooked or large quantities of foods can be cooked at the same time. Foods will cook thoroughly without having to rotate pans.

Low, shallow bakeware should be used with convection cooking. This allows the heated air to circulate around the food. Pans with high sides or pans that are covered are not suitable for convection cooking because high sides or lids prohibit the warm air from circulating around the food.

Your favorite pans and cookware can be used for convection cooking provided they have low sides to allow the heated air to circulate around the food. Any food cooked uncovered will brown evenly and form a nice crust. Foods in covered dishes (casseroles, pot roast) or delicate custards do not benefit from convection cooking.

Convection Roast

Convection roasting combines the heat from the lower concealed element with additional heat from the convection element and fan. The result is a crispier exterior that seals in the interior juices. It is perfect for roasting tender meats in an uncovered, low-sided pan.

- **DO NOT** cover meat or use cooking bags.
- Roasting large cuts of meat and poultry generally takes 10 to 20% less cooking time. Check doneness early.

Convection Baking

Time can be saved by baking an entire batch of cookies at the same time. The cookies will bake evenly and be done all at once. The baking time may be shorter due to the warm circulating air. For small items such as cookies, check to see if they are done one to two minutes before the recipe time. For larger baked items such as cakes, check five to six minutes before the time indicated on the recipe.

Convection cooking of meat and poultry will result in foods that are brown and crispy on the outside and moist and juicy on the inside. Large meat or poultry items may cook up to 30 minutes less than the suggested time so check them early so they will not be over baked. Use of the built-in meat probe will provide more accurate results than the “minute per pound” method (see “Probe” on page 22). The larger the piece of meat or poultry, the more time you will save.

Converting Conventional Baking to Convection Baking

To convert most recipes for baked items (cookies, cakes, pies, etc.), reduce the oven temperature by 25°F (14°C). For meats and poultry, the temperature should not be reduced. The temperature recommended in recipes and cooking charts for meats and poultry should be used.



CAUTION:

When using the oven in any mode never use aluminum foil to cover the oven racks or to line the oven. It can damage the oven and cause a fire hazard if heat is trapped under it. See page 4.

Tips for Convection Bake

Preheating the Oven

Preheat the oven before cooking any foods, except large pieces of meat or poultry. See your recipe for preheating recommendation. Preheating time depends on the temperature setting and the number of racks in the oven.

Temperature Setting

When using Convection Bake, reduce the temperature recommended in the recipe by 25°F (14°C), although the temperature does not need to be reduced when cooking meats and poultry. When roasting meats, check internal temperature prior to time recommended by recipe to prevent over cooking.

High Altitude Baking

When baking at high altitudes, in either Bake or Convection Bake, recipes and baking times vary. For accurate information, write the Extension Service, Colorado State University, Fort Collins, Colorado 80521. There may be a cost for the bulletins. Specify the type of information you want (example: cakes, cookies, breads, etc.).

Condensation

It is normal for a certain amount of moisture to evaporate from the food during any cooking process. The amount depends on the moisture content of the food. The moisture will condense on any surface cooler than the inside of the oven, such as the control panel.

Rack Positions

See *Figure 1 on page 8 for rack positions.*

— One-Rack Baking

- When baking on one rack, best results are obtained in the bake mode (See “*One Rack Baking*” on page 24.)
- When roasting a turkey or a large piece of meat, convection bake may be used. Rack #2 is the most appropriate rack.

— Two-Rack Baking

- Racks #2 and #4 are most appropriate when using the convection bake mode for cakes, cookies, biscuits, and other baked goods. Cake pans should be staggered on racks #2 and #4. Cookie sheets should be placed on rack #2 directly under the one on rack #4.
- To bake several casseroles, frozen pies, or cakes, use racks #2 and #4.
- These two racks can also be used for a large oven meal.

— Three-Rack Baking

- When several sheets of cookies are to be baked, bake them on racks #1, #3, and #5. Place the baking sheets directly above each other on the respective racks to allow air to flow around the baking sheets.

— Bakeware Type

- Aluminum bakeware gives the best browning results.
- Cookie sheets with only one or two sides give the best results. Aluminum commercial half-sheets or professional cooking utensils may be used but baking times may be increased.

— Placement

- For better browning, utensils such as cookie sheets, jelly roll pans and rectangular baking pans should be placed crosswise on the rack with the shorter sides on the right and the left. This allows the air to circulate freely.
- When baking on more than one rack, cookie sheets should not be staggered; round cake pans should be staggered.

Dehydrating Foods with Convection Bake

Use the Convection Bake to dry and preserve fruits and vegetables.

Tips:

- Drying times vary depending on the moisture and sugar content of the food, the size of the pieces, the amount being dried and the humidity in the air.
- Dry most fruits and vegetables at 150°F.
- Check food at the minimum drying time.
- It is best to use drying racks (not included) so that air can flow around the food. Do not place food directly on a baking sheet or pan. Food needs to be elevated to ensure even drying.
- Multiple drying racks can be used simultaneously.
- Racks #2 and #4 or #1, #3 and #5 can be used for multiple rack dehydrating. Use rack #3 if only dehydrating one rack.
- Dehydrating meat is not recommended due to food safety concerns.
- Consult a food preservation book, county Cooperative Extension Office or library for additional information.

| Food Item | Preparation | Approx. Drying Time (hrs) | Test for Doneness |
|-------------------------|--|---------------------------|--|
| Fruit | | | |
| Apples | Dipped in ¼ cup lemon juice and 2 cups water, ¼" slices | 8 – 15 | Slightly pliable |
| Bananas | Dipped in ¼ cup lemon juice and 2 cups water, ¼" slices | 8 – 15 | Slightly pliable |
| Cherries | Wash and towel dry. For fresh cherries, remove pits | 7 – 18 | Pliable leathery, chewy |
| Orange peels | Orange part of skin thinly peeled from oranges. | 1 – 4 | Dry and brittle |
| Orange slices | ¼" slices of orange | 9 – 16 | Skins are dry and brittle, fruit is slightly moist |
| Pineapple rings, canned | Towel dried | 8 – 13 | Soft and pliable |
| Pineapple rings, fresh | Towel dried | 7 – 12 | Soft and pliable |
| Strawberries | Wash and towel dry. Sliced ½" thick, skin down on rack | 9 – 17 | Dry and brittle |
| Vegetables | | | |
| Peppers | Wash and towel dry. Remove membrane of peppers, 1" coarsely chopped pieces | 13 – 17 | Leathery with no moisture inside |
| Mushrooms | Wash and towel dry. Cut thin slices, ⅛" thick | 5 – 12 | Tough and leathery, dry |
| Tomatoes | Wash and towel dry. Cut thin slices, ⅛" thick, drain well | 5 – 12 | Dry, brick red color |

Table 2: Dehydrate Chart

Convection Baking Recommendations

| FOOD | PAN SIZE | CONTROL TEMPERATURE SETTING | TOTAL SUGGESTED COOKING TIME |
|-------------------------|------------------------|--|------------------------------|
| Cookies | 12" x 15" Cookie Sheet | 375°F (190°C) | 8 – 12 minutes |
| Layer Cakes | 8" or 9" Round | 350°F (180°C) | 25 – 35 minutes |
| Sheet Cakes | 9" x 13" Pan | 350°F (180°C) | 30 – 40 minutes |
| Bundt™ Cakes | 12 Cup | 325°F (165°C) | 60 – 75 minutes |
| Brownies or Bar Cookies | 9" x 9" Pan | 325°F (165°C) | 20 – 25 minutes |
| Biscuits | 12" x 15" Cookie Sheet | 425°F (220°C) or Package Directions | 10 – 15 minutes |
| Quick Bread | 8" x 4" Loaf Pan | 350°F (180°C) | 55 – 70 minutes |
| Muffins | 12-cup Muffin Pan | 425°F (220°C) | 14 – 19 minutes |
| Fruit Pies | 9" Diameter | 425°F (220°C) | 35 – 45 minutes |
| Fruit Cobblers | 9" x 9" Pan | 400°F (205°C) | 25 – 30 minutes |
| Yeast Bread, Loaves | 8" x 4" Loaf Pan | 350°F (180°C) | 25 – 30 minutes |
| Dinner Rolls | 9" x 13" Pan | 375°F (190°C) | 12 – 18 minutes |
| Cinnamon Rolls | 9" x 13" Pan | 375°F (190°C) | 25 – 30 minutes |
| Yeast Coffee Cake | 12" x 15" Cookie Sheet | 375°F (190°C) | 20 – 30 minutes |

Keep Warm

The Warm mode will keep hot, cooked foods at serving temperature. **ALWAYS** start with hot food. **DO NOT** use this mode to heat cold food other than for crisping crackers, chips and dry cereal. Serving dishes, plates and cups may be kept warm with this mode. **DO NOT** use the WARM mode to cook food.

- Select Warm using the Mode Selector Knob. **DO NOT** turn on Oven Temperature Control Knob.
 - Food may be kept hot in its cooking container or transferred to a heat-safe serving dish.
 - Aluminum foil may be used to cover food. Use only heat-safe dishes.
- When keeping cooked food warm, allow time for the oven to preheat before placing the item in the oven.
 - Warm mode temperatures range from 140°–150°F/ 60–66°C
 - Food should be at serving temperature (above 140°F / 60°C) before being placed in the oven.

- Place warmed dish in the oven. Close the door.
 - Do not open the oven door unnecessarily. Opening the door will reduce the temperature of the oven.



CAUTION:

Plastic containers or plastic wrap can melt if in direct contact with the oven walls or oven bottom.



WARNING:

Food Safety Concern Food Poisoning Possible — DO NOT use the Warming Mode for cooking food. The warming oven mode is not hot enough to cook foods at safe temperatures.

Proof (48" models only)

The proof feature maintains the warm, non-drafty environment needed for proofing yeast leavened products. The proofing temperature is preset at 100°F/ 38°C.

To Set the Secondary Oven for Proofing

1. Allow dough to thaw if frozen.
2. Place dough in dish and loosely cover.
3. Use any rack level that accommodates the size of the bowl or pan. Close the door.
4. Select PROOF using Selector Knob. **DO NOT** turn on Oven Temperature Control Knob.

| Size | Time |
|-------------------------|-----------------|
| Loaf, 1 lb (0.45 kg) | 60 – 75 minutes |
| Rolls, 0.1 lb (0.05 kg) | 30 – 45 minutes |

The ideal temperature for proofing will be maintained until the Selector Knob is turned off.

Dough has “proofed” when it has doubled in size.

Do not open the oven door unnecessarily. Opening the door will lower the temperature of the air in the oven and lengthen the proofing time. Use the oven light to check the rising of the dough.

Proofing time may be decreased when using the large oven at the same time you are proofing. Check bread product early to avoid over-proofing. If you are using the large oven for extended periods of time we recommend, for optimum results, that you complete the proofing before using the large oven.

Other Uses Of Bake

Slow Cooking And Low Temperature Uses Of The Oven

In addition to providing perfect temperatures for baking and roasting, the oven can be used at low temperatures to keep hot, cooked foods at serving temperature and to warm plates.

For best results, preheat the oven to the desired temperature.

Foods that need to be kept moist must be covered with a lid or aluminum foil.

Hot cooked foods can be kept at serving temperatures. Set the oven to bake and use the temperature suggested on the chart.



WARNING:

FOOD SAFETY — The United States Department of Agriculture advises: **DO NOT** hold foods at temperatures between 40°F – 140°F (4°C – 60°C) for more than 2 hours. Cooking raw foods below 275°F (135°C) is not recommended.

Suggested Temperature Recommendations to Keep Food Hot

| FOOD | OVEN TEMPERATURE |
|---------------------------------|----------------------------|
| Beef | 150°F (70°C) |
| Bacon | 200° – 225°F (90° – 110°C) |
| Biscuits and Muffins (covered) | 175° – 200°F (80° – 90°C) |
| Casserole (covered) | 175° – 200°F (80° – 90°C) |
| Fish and Seafood | 175° – 200°F (80° – 90°C) |
| Deep Fried Foods | 200° – 225°F (90° – 110°C) |
| Gravy or Cream Sauces (covered) | 175°F (80°C) |
| Lamb and Veal Roasts | 175° – 200°F (80° – 90°C) |
| Pancakes and Waffles (covered) | 200° – 225°F (90° – 110°C) |
| Potatoes, Baked | 200°F (90°C) |
| Potatoes, Mashed (covered) | 175°F (80°C) |
| Pies and Pastries | 175°F (80°C) |
| Pizza (covered) | 225°F (110°C) |
| Pork | 175° – 200°F (80° – 90°C) |
| Poultry (covered) | 175° – 200°F (80° – 90°C) |
| Vegetables (covered) | 175°F (80°C) |
| Warm Plates | 150°F (70°C) |

Broil/Convection Broil

Tips for Broil

Preheating the Broiler

It is recommended that you preheat the broil element before starting to cook. Preheat for 3 minutes then place food in oven.

Getting the Best Results

- Defrost food before broiling.
- Door is to be closed during broiling.
- Steaks should be more than 1" (25.4 mm) thick if rare meat is desired. Use convection broil if steaks are over 1½" (38 mm) thick.
- Turn foods over only once, after half the total cooking time. It is not necessary to turn very thin foods (ham slices, fillets of fish, etc.). Liver slices must be turned over regardless of thickness.
- Center foods directly under the broiling element for best browning.

Rack Positions

Before turning on the oven, place the rack in the desired position. After preheating the broiler, center the broil pan under the broil element.

Main Oven

Rack #5 — Use this rack position when broiling beef steaks, ground meat patties, ham steak and lamb chops 1" (25.4 mm) or less in thickness. Also use when top browning foods.

Rack #4 — Use this rack position when broiling meat 1⅞" (29 mm) or more in thickness or fish, poultry, pork chops and ham steaks 1" (25.4 mm) or more in thickness.

Rack #3 — Use this rack when broiling chicken quarters or halves.

Secondary Oven (48" models only)

Foods may be broiled on racks #3, 4 or 5 depending upon the type and thickness of the food. Rack #5 may be used for top browning of foods.

Utensils

- The porcelain enamel two-piece broil pan and grid is included with the range. **DO NOT** cover the slotted grid (top) with aluminum foil.
- Use metal or glass-ceramic bakeware when top browning casseroles, main dishes, or bread.
- **DO NOT** use heat-proof glass or pottery. This type of glassware cannot withstand the intense heat of the broil element.
- The small porcelain broiler pan is designed to be used in the Secondary Oven of 48" models.

For rare steaks, cook the first side to 90°F (32°C). For medium or well done steaks, cook the first side to 100°F (38°C). Turn and cook the second side to desired internal temperature.

NOTE:

It is not possible to use the BAKE mode and BROIL mode simultaneously. When one mode is on, the other mode cannot be turned on.

Setting Broil or Convection Broil

Only the upper element heats in the BROIL mode. Successful broiling requires constant exposure to high, intense heat.

1. Place oven rack in desired position.
2. Set Mode Selector Knob to BROIL or CONVECTION BROIL.
3. Set Temperature Selector Knob to BROIL setting.
 - The temperature gauge will move to BROIL after five minutes.
4. Place food in oven at desired rack position as referenced on this page.
5. **The door should be closed throughout the broil cycle.**
 - Your THERMADOR PROFESSIONAL® range comes with a large two-piece broiler pan. The slotted grid allows drippings to flow into the lower pan, away from the intense heat of the broil element, minimizing spattering, smoking, and the chance of a grease fire.
 - The 48" Models have a small porcelain broiler pan, for use in the Secondary Oven.

Automatic operation of the cooling blower:

The cooling blowers activate after the oven reaches 300°F (149°C). When the oven is turned off, the blowers remain on until the oven temperature cools below 250°F (121°C).

DO NOT continue to use the broiler if the cooling blower fails to activate while broiling. Call a qualified service agency to repair the range.

Broiling and Roasting Recommendations

All meats are placed on the broiler pan included with the range.

| FOOD ITEM | RACK NUMBER | OVEN MODE | CONTROL TEMPERATURE SETTING | APPROXIMATE COOKING TIME | SPECIAL INSTRUCTIONS AND TIPS |
|---|-------------|---------------------|---|--------------------------|---|
| BEEF | | | | | |
| Ground Beef Patties, 1/2" (12.7 mm) thick | 5 | Broil or Conv Broil | Broil or Conv Broil | 15 – 20 minutes | Broil until no pink in center |
| T-Bone Steak | 4 | Broil or Conv Broil | Broil or Conv Broil | 12 – 20 minutes | Time depends on rareness of steak |
| Flank Steak | 4 | Broil or Conv Broil | Broil or Conv Broil | 12 – 20 minutes | Rare to medium rare |
| Rib Roast | 3 | Roast or Conv Roast | 425°F (220°C) to start 325°F (165°C) to finish | 20 – 25 min/lb | Small roasts take more minutes per pound; reduce time by using Convection Roast |
| BREADS | | | | | |
| Toast, Garlic Bread, etc. | 5 | Broil | Broil | 1 – 2 minutes | Broil until brown |
| PORK | | | | | |
| Loin Roast | 3 | Roast or Conv Roast | 325°F (165°C) | 20 – 25 min/lb | Cook until juices are clear |
| POULTRY | | | | | |
| Boneless, Skinless Chicken Breasts | 4 | Broil or Conv Broil | Broil or Conv Broil | 20 – 25 minutes | Cook until juices are clear |
| Chicken Thighs | 3 | Broil or Conv Broil | Broil or Conv Broil | 25 – 30 minutes | Remove skin; Cook until juices are clear |
| Half Chickens | 3 | Broil or Conv Broil | Broil or Conv Broil | 30 – 45 minutes | Turn with tongs; Cook until juices are clear |
| Roast Chicken | 2 | Roast or Conv Roast | 375°F (190°C) | 75 – 90 minutes | Do not stuff; reduce time by using Convection Roast |
| Turkey | 2 | Roast or Conv Roast | 325°F (165°C) | 20 – 25 min/lb | Reduce time by using Convection Roast |

Care and Maintenance

Self-Cleaning the Oven(s)



WARNING:

- Children should not be left alone or unattended in an area where appliances are in use.
- During the Self-Clean cycle, exterior surfaces may become hotter than usual. Parts of the appliance may become potentially harmful to children, and to persons who lack adult knowledge of appliances and lack adult reactions to potentially harmful conditions. Keep these individuals away during self-clean and while the appliance is in use.
- The elimination of soil during self-cleaning may facilitate the emission of small amounts of chemicals or other substances that may be harmful upon sufficient exposure. To minimize exposure to these substances, provide good ventilation with an open window, or use a ventilation fan or hood.
- Keep pet birds out of the kitchen or other rooms where kitchen fumes could reach them. During self-clean, fumes are released that may be harmful to birds.

The self-cleaning mode of your new range features pyrolytic self-cleaning. When set to the CLEAN mode, the oven reaches a high temperature, approximately 850°F (454°C), that burns off the food soil.

When the oven is set for CLEAN, the standard cooktop burners and the electric griddle may be used. Only one oven at a time may be in CLEAN or in use. The outer burners, having the ExtraLow® feature, cannot be used.

It is common to see smoke and/or flames during the clean cycle, depending on the content and amount of soil remaining in the oven. If a flame persists, turn off the oven and allow it to cool before opening the door to wipe up the excessive food soil.

At the end of the CLEAN cycle, some gray ash or burned residue may remain inside the oven. This is a mineral deposit that does not burn or melt. The amount of ash depends on how heavily soiled the oven was before it was cleaned. When the oven is cold, it is easily removed using a damp paper towel, sponge, or cloth.

Wipe off any smoke residue that remains on the front frame with Formula 409® or Fantastik® cleaners. If stain remains, use a mild liquid cleanser. The amount of smoke stain is directly related to the amount of food soil left in the oven at the time of self-cleaning. Clean the oven often.

Before Self Cleaning the Oven

To reduce flare ups and excess smoke wipe out puddles of grease and any loose soil that can be easily removed. Remove any soil that is outside the door seal area. This appliance is designed to clean the oven interior and the portion of the door that is inside the oven. The outer edges of the door and the frame surrounding the front of the oven are not in the cleaning zone. Wipe this area clean.

BEFORE SETTING THE OVEN TO SELF-CLEAN

- Remove all utensils.
- Remove racks.
- Clean the oven front frame and outer door edges. Wipe up large spillovers and grease.
- Be sure the light bulbs and glass covers are in place.
- Turn on the ventilator hood above the range and leave it on until the oven has completed the self-clean cycle.

IMPORTANT:

For the first Self-Cleaning cycle of your new range, remove small animals and birds from the kitchen and surrounding areas. Open a nearby window for additional ventilation.

Lock

When the CLEAN cycle starts, the automatic door lock cycle begins. The temperature gauge begins to move to CLEAN five minutes after the clean mode is initiated. Check the door to confirm that it is locked. You can stop the clean cycle by selecting the OFF position.

Make certain that the oven door is locked at the beginning of the cleaning cycle.

To Set Self-Clean Ovens

1. **Remove oven racks.**
2. Ensure oven door is shut.
3. Select SELF CLEAN using the Mode Selector Ring.
4. Set Temperature Selector Knob to CLEAN.
 - Oven latch moves to secure the door.
 - Cooling Blower turns on.
 - The temperature gauge moves to CLEAN after five minutes.

NOTE:

The door closing process takes approximately 20 seconds to complete, at which time the door becomes locked.

Check to make certain the door is locked.

At the End of the Clean Cycle

The Clean cycle takes approximately 2 hours to complete. Do not turn either of the oven control knobs to the OFF position until the automatic lock cycles to the open position.

1. Select OFF using the Mode Selector Knob.
 - The door latch will open automatically when the oven is below 500°F (200°C) and the automatic Door Lock completes its 20 second cycle to the open position.
 - The cooling blower turns off when the oven temperature drops to 375°F (191°C).
2. Turn Oven Control Knob to OFF position.

Prevention of Successive Self-Clean Cycles

The ovens are programmed to prevent initiation of a second Self Clean cycle for a period of 24 hours. All of the other functions are available immediately after completion of Self Clean.

Cleaning Tips

1. The porcelain enamel finish is acid resistant, but not acid proof. Acidic foods, such as citrus juices, tomatoes, rhubarb, vinegar, alcohol or milk, should be wiped up and not allowed to bake onto the porcelain during the next use.
2. **Remove the oven racks.** See Racks, on Range Cleaning Recommendations, *page 35*.
3. The heating elements in the oven do not require cleaning. The elements burn themselves clean when the oven is in use. Both elements are permanently connected. It is not necessary to clean the broiler shield above the broil element.



CAUTION:

The interior of the oven will still be at baking temperatures when the automatic lock cycles to its open position and the oven door can be opened.

Range Cleaning

When Cleaning This Range:

1. Use the mildest cleaning procedure that will do the job efficiently and effectively. Some cleaners of the same type are harsher than others. Try on a small inconspicuous area first.
2. Always rub metal finishes in the direction of the polish lines for maximum effectiveness and to avoid marring the surface.
3. Use only clean soft cloths, sponges, paper towels, fibrous brushes, plastic, non-metal or steel wool soap pads for cleaning and scouring, as recommended on the chart.
4. Most exterior parts of this appliance can be cleaned with hot sudsy water (except the various items specifically identified otherwise). When rinsing is required, rinse thoroughly.
5. Always wipe dry immediately to avoid water marks.
6. Do not use chlorine based cleaners.



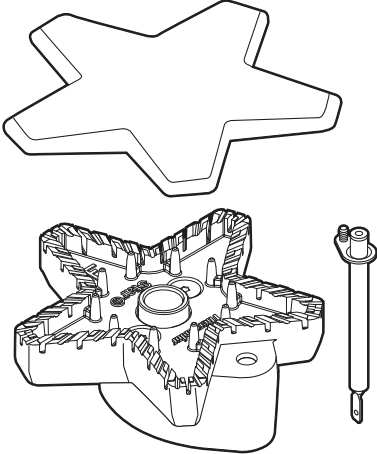
CAUTION:

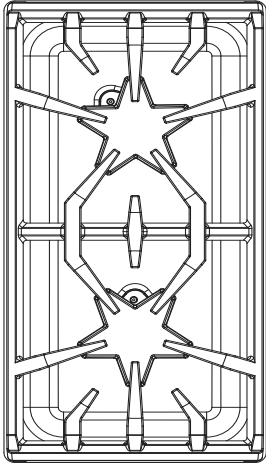
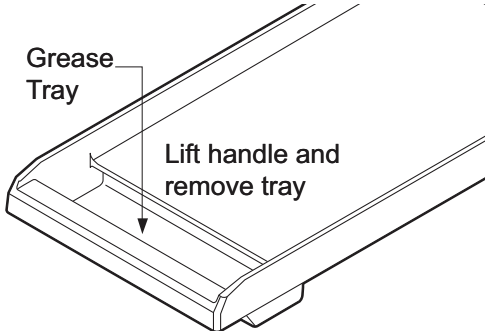
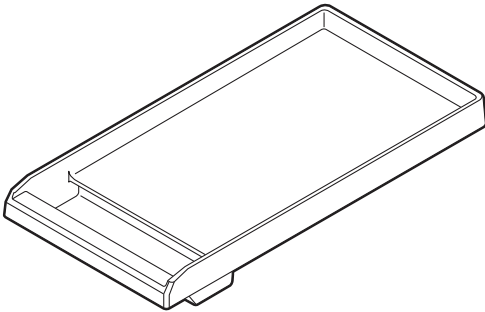
Avoid cleaning any part of the range while it is hot.

Brand Names

The use of brand names is intended only to indicate a type of cleaner. This does not constitute an endorsement. The omission of any brand name cleaner does not imply its adequacy or inadequacy. Many products are regional in distribution and can be found in local markets. It is imperative that all cleaning products be used in strict accordance with the instructions on its package. The following chart gives directions for cleaning this range.

Cleaning Recommendations

| PART/MATERIAL | SUGGESTED CLEANERS | IMPORTANT REMINDERS |
|---|---|--|
| <p>Brass Burner Base and Cast Iron Cap</p>  | <ul style="list-style-type: none"> Hot sudsy water; rinse and dry thoroughly. Mild abrasive cleansers: Bon-ami[®], Cameo[®] Aluminum and Stainless Steel Cleaner, Wright's[®] All Purpose Brass Polish. Liquid cleaners: Kleen King[®]. Stiff nylon bristle tooth brush to clean port openings. After cleaning, make sure that the STAR burner cap is correctly seated on the STAR burner base. | <ul style="list-style-type: none"> DO NOT scratch or gouge the port openings of STAR burner cap. |
| <p>Control Knobs/Metal Bezels/Chrome Full Access[®] Oven Racks/Chrome</p> | <ul style="list-style-type: none"> Hot sudsy water; rinse and dry immediately. | <ul style="list-style-type: none"> DO NOT soak knobs. DO NOT force knobs onto wrong valve shaft. |
| <p>Exterior Finish/ Back Guard Stainless Steel</p> | <ul style="list-style-type: none"> Nonabrasive cleaners: hot water and detergent, Fantastik[®], Formula 409[®]. Rinse and dry immediately. Cleaner polish: Stainless Steel Magic[®] to protect the finish from staining and pitting; enhances appearance. Hard water spots: household vinegar. Mild Abrasive Cleaners: Siege[®] Stainless Steel and Aluminum Cleaner, Kleen King[®] Stainless Steel liquid cleaner. Heat discoloration: Cameo[®], Barkeepers Friend[®], Zud[®], Wright's[®] All Purpose Brass Polish. | <ul style="list-style-type: none"> Stainless steel resists most food stains and pit marks providing the surface is kept clean and protected. NEVER allow food stains or salt to remain on stainless steel for any length of time. Rub lightly in the direction of polish lines. Chlorine or chlorine compounds in some cleaners are corrosive to stainless steel. Check ingredients on label. |

| PART/MATERIAL | SUGGESTED CLEANERS | IMPORTANT REMINDERS |
|---|--|--|
| <p>Grates/ Porcelain Enamel on Cast Iron</p>  | <ul style="list-style-type: none"> • Nonabrasive cleaners: hot water and detergent, Fantastik[®], Formula 409[®]. Rinse and dry immediately. • Mild abrasive cleaners: Bon-ami[®] and Soft Scrub[®]. • Abrasive cleaners for stubborn stains: soap-filled steel wool pad. • Lestoil[®] or other degreaser. • The rough texture of the grate can sometimes remove aluminum deposits from the bottom of pans and fill in areas between the high spots on the surface of the grate. The metal deposits can be removed with a clean Scotch Brite™ scrub sponge or a course steel wool pad. | <ul style="list-style-type: none"> • The grates are heavy; use care when lifting. Place on a protected surface. • Blisters/ crazing/ chips are common due to the extreme temperatures on grate fingers and rapid temperature changes. • Acidic and sugar-laden spills deteriorate the enamel. Remove soil immediately. • Abrasive cleaners, used too vigorously or too often can eventually mar the enamel. • Use special care when cooking with copper and aluminum pots and pans as this type of cookware can sometimes leave metal deposits on the grates. |
| <p>Griddle Grease Tray/ Aluminum with non-stick titanium coating</p>  | <ul style="list-style-type: none"> • Remove grease tray and discard grease into a grease resistant container for disposal. Wash grease tray in warm soapy water or place in dishwasher. • Clean the grease tray after each use. • Wash in detergent and hot water; rinse and dry. • Stubborn soil: Soft Scrub[®]. | <ul style="list-style-type: none"> • Empty grease tray after each use. • Remove tray after grease has cooled. Be careful not to fill it so full that tipping to remove it spills the grease. |
| <p>Griddle/ Aluminum with non-stick titanium coating</p>  | <ul style="list-style-type: none"> • Wipe griddle surface with warm soapy water then rinse with warm water. Wipe dry with a soft cloth. • If food particles stick to the griddle plate, remove with a mild abrasive cleaner such as Soft Scrub[®]. | <ul style="list-style-type: none"> • NEVER flood a hot griddle with cold water. This can warp or crack the aluminum plate. • DO NOT clean any part of the grill or griddle in a self-cleaning oven. |

| PART/MATERIAL | SUGGESTED CLEANERS | IMPORTANT REMINDERS |
|---|---|--|
| Igniters/Ceramic | <ul style="list-style-type: none"> Use a cotton swab dampened with water, Formula 409[®] or Fantastic[®]. | <ul style="list-style-type: none"> DO NOT use sharp tools to scrape the igniters. The igniters are fragile. If an igniter is damaged, it may not light the burner. |
| Surface Spill Trays Porcelain Enamel (gloss finish) | <p>A cleaner such as Soft Scrub[®] may be used. Apply with a damp sponge or cloth according to the manufacturer's instructions. Rinse thoroughly and wipe dry with a soft cloth.</p> <p>If cleaners such as Bar Keeper's Friend[®], Bon Ami[®], Comet[®] or Ajax[®] are used, apply with a damp sponge or cloth according to the manufacturer's directions. Rub lightly as these cleansers may scratch the finish. Rinse thoroughly and wipe dry with a soft cloth.</p> <p>For burned on foods, soap filled fiber or steel wool pads such as S.O.S.[®] or Brillo[®] may be used. Dampen the pad and rub gently. Care must be taken as these may scratch the finish. Rinse thoroughly and wipe dry with a soft cloth.</p> | |
| Broil Pan Grid/Bottom Porcelain Enamel | <p>DO NOT CLEAN IN SELF-CLEANING OVEN</p> <p>To loosen cooked on food, squirt empty hot grid with liquid detergent and cover with wet paper towels. Allow to stand.</p> <p>Hot sudsy water.</p> <ul style="list-style-type: none"> Wash, rinse thoroughly and dry. <p>Cleaners: Soft Scrub[®].</p> <ul style="list-style-type: none"> Apply with a damp sponge or cloth according to manufacturer's directions. Rinse and wipe dry. <p>Powdered Cleanser: Bon-ami[®], Comet[®], Ajax[®].</p> <ul style="list-style-type: none"> Apply with a damp sponge or cloth according to manufacturer's directions. (Rub lightly, it may scratch the finish!) Rinse thoroughly and wipe dry. <p>Soap-filled fiber or steel wool pads: S.O.S.[®], Brillo[®].</p> <p>Dampen pad, rub lightly, it may scratch the finish. Rinse thoroughly and wipe dry.</p> | |
| Doors Exterior, Frame, Door Handle Stainless Steel | <p>Use care to keep cleaners and water away from the door vents. If water or cleaners spill into the vents, water may streak the glass inside.</p> | |
| Seal Door Gasket | <p>General Kitchen Cleaners: Formula 409[®], Fantastik[®]. Spray on and blot dry with a cloth. DO NOT rub. Do not move, remove or damage mesh.</p> | |

Do-It-Yourself Maintenance

Oven Light Bulb Replacement



CAUTION:

- Make sure the appliance and lights are cool and power to the appliance has been turned off before replacing the light bulb(s). Failure to do so could result in electrical shock or burns.
- The covers must be in place when using the appliance.
- The covers serve to protect the light bulb from breaking.
- The covers are made of glass. Handle carefully to avoid breaking. Broken glass could cause an injury.
- The light socket is live when the door is open.

Replace only with a recommended light bulb designed for appliance oven use. **DO NOT** use a standard household light bulb in any oven. Call THERMADOR® Customer Care Center at 1-800-735-4328 or your nearest THERMADOR dealer to determine the proper replacement bulb for your range. You will need to know your range's model number and serial number.

To Replace the Light Bulb:

Use only 10 Watt, 12 Volt bi-pin halogen light bulbs. Use a clean, dry cloth to handle halogen light bulbs. This will increase the life of the bulb.

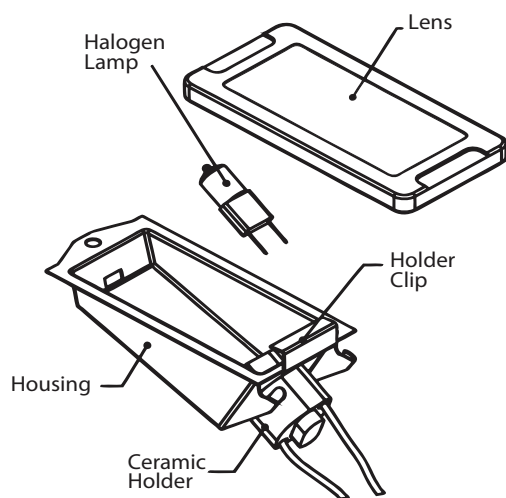


Figure 33: Oven Lamp Assembly

1. Turn off circuit breaker.
2. Remove oven racks.
3. Slide the tip of a flat blade screw driver between the fixing clip and the lamp housing (*Figure 34, A*).

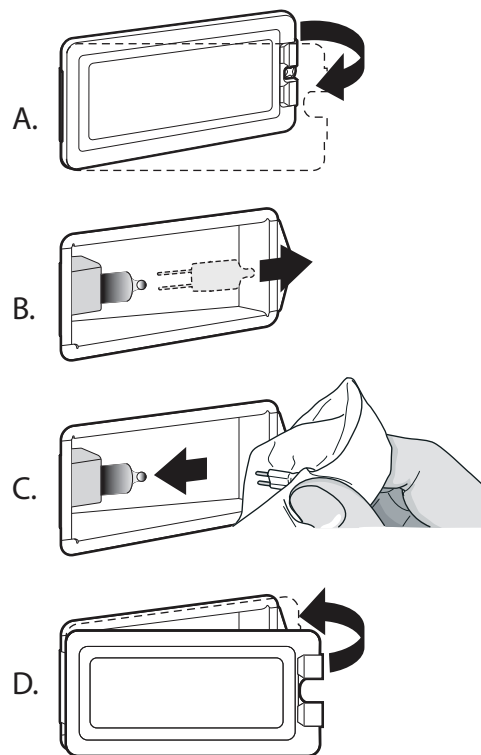


Figure 34: Bulb Replacement

4. Support the glass lens cover with two fingers along the bottom edge to prevent the cover from falling to the bottom of the oven. Gently twist the flat blade screw driver to loosen the glass lens cover.
5. Remove the glass lens cover and fixing clip.
6. Remove the bulb by grasping and sliding the bulb straight back until the two prongs have cleared the ceramic holder (*Figure 34, B*).
7. Do not touch the glass of the new replacement bulb with your fingers. It may cause the bulb to fail when it first lights. Grasp the replacement bulb with a clean dry cloth. Locate the two prongs in the ceramic holder, gently poking until the two prongs locate in the ceramic socket.
8. Press down to seat the bulb (*Figure 34, C*).
9. Slide the protective lens into the holder clip and push the other end until the fixing clip snaps back into the housing (*Figure 34, D*).
10. Turn on circuit breaker.

Power Failure

In the event of a power failure, only the standard STAR® burners can be lit manually. It is necessary to light each standard burner individually (see also *page 15*).

All oven knobs and selectors must be set to OFF before powering up the range. To prevent unintended operation at power up, please set all oven knobs to OFF. To ensure customer safety in the event of power failure, the unit will display an error message upon reinstatement of power unless all oven knobs are set to OFF. Set all oven knobs to OFF and reset the breaker to clear the message.

If the range's cooktop is being used when the power failure occurs, turn all of the burner control knobs to the OFF position. The standard burners can be lit by holding a match at the ports and turning the control knob to the HI position. Wait until the flame is burning all the way around the burner cap before adjusting the flame to the desired height.

The four ExtraLow® burners on the outer sides cannot be used during a power failure. Be sure to turn them OFF if a power failure occurs because they will not turn back on until the control knobs are turned OFF and then turned back on again.

If you have low gas pressure, contact your gas company.

Intermittent or Constant Igniter Sparking

Intermittent or constant sparking of the sealed gas surface burners can result from a number of preventable conditions. Eliminate these conditions as indicated in the following chart.

| SYMPTOM | CAUSE | REMEDY |
|--|---|--|
| Intermittent sparking | <ul style="list-style-type: none">• Ceramic igniter is wet or dirty.• STAR burner ports are clogged. | <ul style="list-style-type: none">• Carefully dry or clean igniter.• Clean ports on STAR burner cap with a wire, a needle or straightened paper clip. |
| More than four clicks of igniter before lighting | <ul style="list-style-type: none">• Improper fit of STAR burner cap onto STAR burner base. | <ul style="list-style-type: none">• Align STAR burner cap properly on STAR burner base. |
| Constant Sparking | <ul style="list-style-type: none">• Range is not properly grounded. | <ul style="list-style-type: none">• Refer to Installation Instructions. Have a qualified electrician ground the range properly. |
| | <ul style="list-style-type: none">• Electrical power supply is incorrectly polarized. | <ul style="list-style-type: none">• Refer to the <i>Installation Manual</i>. Have a qualified electrician ground the range properly. |

Before Calling For Service

Before calling for service, check the following to avoid unnecessary service charges.

Be sure to check these items first:

- Is there a power outage in the area?
- Is the household fuse blown or the circuit breaker tripped?
- Is the range disconnected from the electrical supply?

If the Burners Do Not Ignite:

- Are the burner caps properly aligned and seated in the burner bases?
- Are the burner ports clogged?
- Is a fuse blown or is the circuit breaker tripped?
- Is the manual shut-off valve closed, preventing the flow of gas?

Data Rating Label

The data rating label shows the model and serial number of your range. It is located in the gap created by the right side of the oven cavity and the range side panel (*Figure 35*).

The electric wiring diagrams and schematics are attached behind the door trim, and should not be removed except by a service technician, then replaced after service (*Figure 35*).

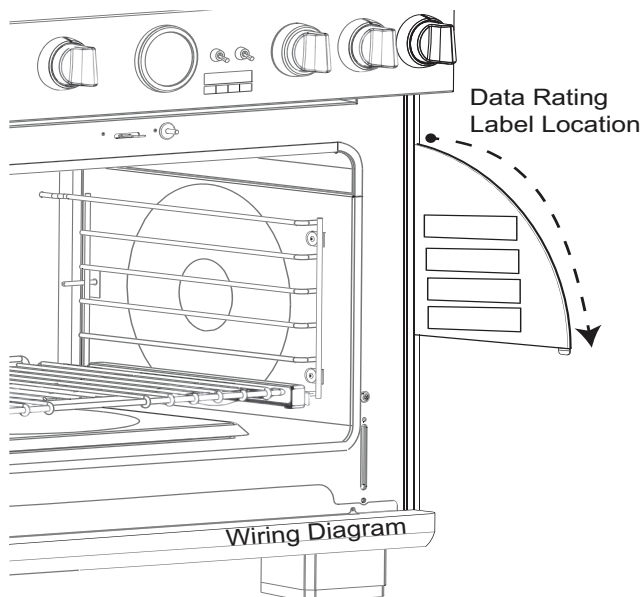


Figure 35: Rating Label Location

Service Information

For handy reference, copy the information below from the data rating plate located in the gap created by the right side of the oven cavity and the range side panel. Keep your invoice for Warranty validation.

Model Number _____

Serial Number _____

Date of Purchase _____

Dealer's Name _____

Dealer's Phone Number _____

Service Center's Name _____

Service Center's Phone Number _____

Also, enter this information on the Product Registration Form included with this product, then mail it to the indicated address.

Register your BSH product to ensure timely service and access to your product related information. You may register your product through one of the following ways:

1. Mail in the completed THERMADOR® Product Registration card.
2. Register your product online at www.thermador.com.
3. Call us at THERMADOR customer service at 1-800-735-4328.

Statement of Limited Product Warranty

What this Warranty Covers & Who it Applies to

The limited warranty provided by BSH Home Appliances Corporation (BSH) in this Statement of Limited Product Warranty applies only to the THERMADOR® appliance sold to you, the first using purchaser, provided that the Product was purchased:

- For your normal, household (non-commercial) use, and has in fact at all times only been used for normal household purposes.
- New at retail (not a display, “as is”, or previously returned model), and not for resale, or commercial use.
- Within the United States or Canada, and has at all times remained within the country of original purchase.

The warranties stated herein apply only to the first purchaser of the Product and are not transferable.

Please make sure to return your registration card; while not necessary to effectuate warranty coverage, it is the best way for BSH to notify you in the unlikely event of a safety notice or product recall.

How Long the Warranty Lasts

BSH warrants that the Product is free from defects in materials and workmanship for a period of seven hundred and thirty (730) days from the date of purchase. The foregoing timeline begins to run upon the date of purchase, and shall not be stalled, tolled, extended, or suspended, for any reason whatsoever.

Repair/Replace as Your Exclusive Remedy

During this warranty period, BSH or one of its authorized service providers will repair your Product without charge to you (subject to certain limitations stated herein) if your Product proves to have been manufactured with a defect in materials or workmanship. If reasonable attempts to repair the Product have been made without success, then BSH will replace your Product (upgraded models may be available to you, in the sole discretion of BSH, for an additional charge). All removed parts and components shall become the property of BSH at its sole option. All replaced and/or repaired parts shall assume the identity of the original part for purposes of this warranty and this warranty shall not be extended with respect to such parts. BSH's sole liability and responsibility hereunder is to repair manufacturer-defective Product only, using a BSH-authorized service provider during normal business hours. For safety and property damage concerns, BSH highly recommends that you do not attempt to repair the Product yourself, or use an un-authorized servicer; BSH will have

no responsibility or liability for repairs or work performed by a non-authorized servicer. If you choose to have someone other than an authorized service provider work on your Product, THIS WARRANTY WILL AUTOMATICALLY BECOME NULL AND VOID. Authorized service providers are those persons or companies that have been specially trained on BSH products, and who possess, in BSH's opinion, a superior reputation for customer service and technical ability (note that they are independent entities and are not agents, partners, affiliates or representatives of BSH). Notwithstanding the foregoing, BSH will not incur any liability, or have responsibility, for the Product if it is located in a remote area (more than 100 miles from an authorized service provider) or is reasonably inaccessible, hazardous, threatening, or treacherous locale, surroundings, or environment; in any such event, if you request, BSH would still pay for labor and parts and ship the parts to the nearest authorized service provider, but you would still be fully liable and responsible for any travel time or other special charges by the service company, assuming they agree to make the service call.

Out of Warranty Product

BSH is under no obligation, at law or otherwise, to provide you with any concessions, including repairs, pro-rates, or Product replacement, once this warranty has expired.

Warranty Exclusions

The warranty coverage described herein excludes all defects or damage that are not the direct fault of BSH, including without limitation, one or more of the following:

- Use of the Product in anything other than its normal, customary and intended manner (including without limitation, any form of commercial use, use or storage of an indoor product outdoors, use of the Product in conjunction with air or water-going vessels).
- Any party's willful misconduct, negligence, misuse, abuse, accidents, neglect, improper operation, failure to maintain, improper or negligent installation, tampering, failure to follow operating instructions, mishandling, unauthorized service (including self-performed “fixing” or exploration of the appliance's internal workings).
- Adjustment, alteration or modification of any kind.
- A failure to comply with any applicable state, local, city, or county electrical, plumbing and/or building codes, regulations, or laws, including failure to install the product in strict conformity with local fire and building codes and regulations.
- Ordinary wear and tear, spills of food, liquid, grease accumulations, or other substances that accumulate on, in, or around the Product.

- Any external, elemental and/or environmental forces and factors, including without limitation, rain, wind, sand, floods, fires, mud slides, freezing temperatures, excessive moisture or extended exposure to humidity, lightning, power surges, structural failures surrounding the appliance, and acts of God.

In no event shall BSH have any liability or responsibility whatsoever for damage to surrounding property, including cabinetry, floors, ceilings, and other structures or objects around the Product. Also excluded from this warranty are scratches, nicks, minor dents, and cosmetic damages on external surfaces and exposed parts; Products on which the serial numbers have been altered, defaced, or removed; service visits to teach you how to use the Product, or visits where there is nothing wrong with the Product; correction of installation problems (you are solely responsible for any structure and setting for the Product, including all electrical, plumbing or other connecting facilities, for proper foundation/flooring, and for any alterations including without limitation cabinetry, walls, floors, shelving, etc.); and resetting of breakers or fuses.

TO THE EXTENT ALLOWED BY LAW, THIS WARRANTY SETS OUT YOUR EXCLUSIVE REMEDIES WITH RESPECT TO PRODUCT, WHETHER THE CLAIM ARISES IN CONTRACT OR TORT (INCLUDING STRICT LIABILITY, OR NEGLIGENCE) OR OTHERWISE. THIS WARRANTY IS IN LIEU OF ALL OTHER WARRANTIES, WHETHER EXPRESS OR IMPLIED. ANY WARRANTY IMPLIED BY LAW, WHETHER FOR MERCHANTABILITY OR FITNESS FOR A PARTICULAR PURPOSE, OR OTHERWISE, SHALL BE EFFECTIVE ONLY FOR THE PERIOD THAT THIS EXPRESS LIMITED WARRANTY IS EFFECTIVE. IN NO EVENT WILL THE MANUFACTURER BE LIABLE FOR CONSEQUENTIAL, SPECIAL, INCIDENTAL, INDIRECT, "BUSINESS LOSS", AND/OR PUNITIVE DAMAGES, LOSSES, OR EXPENSES, INCLUDING WITHOUT LIMITATION TIME AWAY FROM WORK, HOTELS AND/OR RESTAURANT MEALS, REMODELLING EXPENSES IN EXCESS OF DIRECT DAMAGES WHICH ARE DEFINITELY CAUSED EXCLUSIVELY BY BSH, OR OTHERWISE. SOME STATES DO NOT ALLOW THE EXCLUSION OR LIMITATION OF INCIDENTAL OR CONSEQUENTIAL DAMAGES, AND SOME STATES DO NOT ALLOW LIMITATIONS ON HOW LONG AN IMPLIED WARRANTY LASTS, SO THE ABOVE LIMITATIONS MAY NOT APPLY TO YOU. THIS WARRANTY GIVES YOU SPECIFIC LEGAL RIGHTS, AND YOU MAY ALSO HAVE OTHER RIGHTS WHICH VARY FROM STATE TO STATE.

No attempt to alter, modify or amend this warranty shall be effective unless authorized in writing by an officer of BSH.

We reserve the right to make changes in the product or this manual without notification.

Table des Matières

| | | | |
|---|-----------|--|-------------------|
| Sécurité | 1 | Conseils de cuisson au four | 25 |
| Instructions de sécurité importantes | 1 | Réglage pour cuisson au four/cuisson par convection/rôtissage | 26 |
| Avant de commencer | 8 | Rôtissage | 27 |
| Première utilisation de votre cuisinière | 8 | Recommandations pour le rôtissage | 27 |
| Description des cuisinières | 11 | Cuisiner par convection | 28 |
| Identification des pièces – Cuisinière de 48 po..... | 11 | Séchage d'aliments avec le mode de cuisson à convection | 30 |
| Identification des pièces – Cuisinière de 36 po | 12 | Recommandations pour la cuisson par convection | 31 |
| Utilisation de la cuisinière | 13 | Garder-au-chaud | 31 |
| Récipients recommandés | 17 | Apprêt (48 po)..... | 32 |
| Récipients pour spécialités | 18 | Autres utilisations du four | 32 |
| Conseils de cuisson | 19 | Grilloir/Grilloir par convection | 33 |
| Plaque chauffante électrique (certains modèles)..... | 21 | Recommandations pour le grilloir | 34 |
| Conseils de cuisson – Plaque chauffante | 22 | Entretien et nettoyage | 35 |
| Utilisation du four | 23 | Autonettoyage du four | 35 |
| Commandes du four | 23 | Recommandations pour le nettoyage..... | 37 |
| Minuterie | 23 | Entretien à faire soi-même | 40 |
| Minuterie du four | 23 | Avant d'appeler le service technique | 42 |
| Sonde thermique..... | 23 | Énoncé de garantie limitée du produit | 43 |
| Temps de cuisson interne minimaux | 24 | Entretien, Pièces et accessoires | page verso |
| Réglage précis du four | 24 | | |
| Mode sabbat | 24 | | |
| Fonctions du four | 25 | | |

Cet appareil électroménager de THERMADOR^{mc}
est fait par BSH Home Appliances Ltd.
6696 Financial Drive, Unit 3
Mississauga, ON L5N 7J6

Des questions?

1-800-735-4328

www.thermador.ca

Nous attendons de vos nouvelles!

Sécurité



INSTRUCTIONS DE SÉCURITÉ IMPORTANTES LISEZ ET CONSERVEZ CES INSTRUCTIONS

LISEZ ATTENTIVEMENT CE QUI SUIT

MISE EN GARDE :

Pour éviter tout risque de brûlure ou d'incendie, un protecteur arrière spécifique-ment conçu pour cette cuisinière doit être installé lorsqu'elle est en usage.

AVERTISSEMENT :

Vous ne devriez pas installer cet appareil avec un système de ventilation à aspiration descendante. Ce type de système de ventilation peut présenter des risques d'incendie et des problèmes de combustion et ainsi entraîner des blessures corporelles, des dommages matériels ou un fonctionnement involontaire. Aucune restriction ne s'applique aux systèmes de ventilation à aspiration ascendante.

AVERTISSEMENT :



Un enfant ou un adulte pourrait faire basculer l'appareil et perdre la vie. Assurez-vous que le dispositif anti-bascule a été convenablement installé et que la patte de l'appareil est retenue par le support lorsque vous remettez la cuisinière en place.

Ne faites pas fonctionner l'appareil si le support anti-bascule n'est pas en place. La non-observation des instructions du présent guide peut entraîner la mort ou causer de graves brûlures à des enfants ou des adultes.

Assurez-vous que le support anti-bascule est bien installé et dûment utilisé. Faites doucement basculer la cuisinière vers l'avant en la tirant par l'arrière pour vous assurer que le support anti-bascule est bel et bien entré dans la base moulée en aluminium et que l'appareil ne peut se renverser. La cuisinière ne devrait pas pouvoir bouger de plus d'un pouce (2,5 cm).

AVERTISSEMENT :

Si vous ne suivez pas rigoureusement les renseignements fournis dans le présent guide, des risques d'incendie ou d'explosion sont susceptibles de causer des dommages matériels, des blessures ou la mort.

- N'entrez pas et n'utilisez pas d'essence ou d'autres produits inflammables sous forme de liquide ou de vapeur à proximité de la cuisinière ou de tout autre appareil.
- SI VOUS DÉTECTEZ UNE ODEUR DE GAZ
 - N'allumez aucun appareil.
 - Ne touchez pas aux interrupteurs électriques.
 - N'utilisez pas les téléphones du bâtiment où vous trouvez.
 - Appelez immédiatement votre société gazière chez un voisin et suivez les instructions qu'elle vous donne.
 - Si vous n'arrivez pas à contacter votre société gazière, appelez le service d'incendie.
- L'installation et les travaux d'entretien doivent être réalisés par un installateur qualifié, un centre de réparation agréé ou une société gazière.

Exigences en matière de gaz et d'électricité et instructions de mise à la terre

Vérification du type de gaz

Vérifiez le type de gaz fourni à votre emplacement. Assurez-vous que l'appareil est raccordé au type de gaz pour lequel il est certifié. Tous les modèles sont certifiés pour l'utilisation du gaz naturel. La conversion sur le terrain de l'appareil pour utilisation avec du gaz propane exigera une trousse de conversion incluse. Assurez-vous que le type de cuisinière et le type de gaz sont compatibles. Reportez-vous à l'étiquette de données qui se trouve à l'endroit indiqué à la *Figure 35* à la page 42.



INSTRUCTIONS DE SÉCURITÉ IMPORTANTES

LISEZ ET CONSERVEZ CES INSTRUCTIONS

IMPORTANT :

Lors d'une installation contre une surface combustible, vous devez utiliser une étagère haute ou un dossier bas. Vous devez vous procurer séparément ces articles THERMADOR®. Avant d'utiliser la cuisinière, assurez-vous qu'elle est dotée d'un dossier de protection approprié. Reportez-vous au Manuel d'installation qui accompagne cet appareil pour de plus amples détails.

Lors de l'utilisation de la garniture d'îlot THERMADOR, il faut un espace minimal de 12 po (305 mm) entre la partie arrière de l'appareil et la surface combustible. Les espaces libres jusqu'aux surfaces non combustibles ne sont pas précisés dans la norme ANSI Z21.1 et ne sont pas certifiés par la CSA. Tout espace libre de moins de 12 po (305 mm) doit être approuvé par les normes locales ou l'autorité locale ayant compétence.

Consultez les exigences d'alimentation électrique et de mise à la terre dans les instructions d'installation.

AVERTISSEMENT :

Lorsque l'appareil est raccordé au gaz propane, veillez à ce que le réservoir de gaz soit doté de son propre régulateur à haute pression en plus du régulateur fourni avec la cuisinière. **La pression maximale de gaz à cet appareil ne peut pas dépasser une colonne d'eau de 14,0 pouces (34,9 mb) du réservoir de gaz au régulateur de pression.**

AVERTISSEMENT :

L'étagère haute peut devenir extrêmement chaude !
Ne placez **AUCUN** des articles suivants sur le dessus de l'étagère :

- Contenants de plastique ou récipients qui pourraient fondre
- Articles inflammables
- Charge totale de plus de 30 lb (13,6 kg)

MISE EN GARDE :

DÉBRANCHEZ TOUJOURS LA FICHE ÉLECTRIQUE DE LA PRISE MURALE AVANT D'EFFECTUER UNE RÉPARATION OU UN ENTRETIEN DE CET APPAREIL.

Il est de votre responsabilité et de votre obligation, à vous, l'acheteur, de vous s'assurer qu'un électricien qualifié branche cet appareil à l'alimentation électrique,

conformément au code national de l'électricité ou aux codes et règlements locaux en vigueur.

Avant d'utiliser la cuisinière, assurez-vous qu'elle est munie d'un dossier adéquat. Consultez les instructions d'installation qui accompagnent cet appareil pour obtenir de plus amples renseignements.

Modèles mixtes 36 de po :

240/208 volts, 60 Hz, circuit électrique de 40 ampères requis.

Modèles mixtes de 48 po :

240/208 volts, 60 Hz, circuit électrique de 50 ampères requis.

AVERTISSEMENT :

Pour éviter tout risque de brûlure ou d'incendie, un dossier conçu spécialement pour cette cuisinière doit être installé.

AVERTISSEMENT :

DÉBRANCHEZ TOUJOURS LA FICHE ÉLECTRIQUE DE LA PRISE MURALE AVANT D'EFFECTUER DES RÉPARATIONS SUR LA CUISINIÈRE.

AVERTISSEMENT :

Avertissements de la Proposition 65 de l'État de la Californie :

Ce produit contient des produits chimiques connus de l'État de la Californie pour causer le cancer, des anomalies congénitales ou d'autres problèmes de reproduction.

NE tentez PAS d'allumer manuellement les deux brûleurs XLO^{mc} de gauche et les deux brûleurs XLO de droite. Ces brûleurs sont dotés de la fonction ExtraLow^{mc} et ne peuvent être allumés manuellement.

ESSAIS CONFORMES À :

- La norme américaine ANSI Z21.1 régissant les appareils électroménagers au gaz.
- La norme américaine UL 858 régissant les cuisinières électriques domestiques.
- La norme canadienne CAN/CSA-22.2 No. 61, régissant les cuisinières domestiques.
- La norme canadienne CAN 1-1.1-M81 régissant les cuisinières domestiques au gaz.



INSTRUCTIONS DE SÉCURITÉ IMPORTANTES

LISEZ ET CONSERVEZ CES INSTRUCTIONS

Consultez la réglementation locale du bâtiment qui s'applique à votre cas pour connaître la bonne méthode d'installation. S'il n'y a pas de réglementation, cet appareil doit être installé conformément au code national américain sur les gaz combustibles No Z223.1, édition actuelle, et au code américain de l'électricité ANSI/NFPA No 70, édition actuelle, ou bien au code canadien Can - B149 régissant l'installation des appareils à gaz et à la section 1 du code électrique canadien C22.1.

AVERTISSEMENT :

EN CAS DE DÉFAILLANCE ÉLECTRIQUE

Si, pour une raison quelconque, un bouton de commande est activé (ON) sans qu'aucune alimentation électrique ne puisse allumer les brûleurs STAR^{mc}, **éteignez-le et attendez 5 minutes** que le gaz se dissipe avant d'allumer manuellement le brûleur STAR.

Pour allumer manuellement les brûleurs STAR, grattez une allumette et approchez-la des orifices du brûleur STAR, puis tournez le bouton de commande du gaz à la position HI (élevé).

Durant une panne d'électricité, vous pouvez utiliser les brûleurs STAR de la table de cuisson, mais chacun d'eux devra être allumé à l'aide d'une allumette.

Ne tentez **PAS** d'allumer les deux brûleurs XLO STAR de gauche et les deux brûleurs XLO STAR de droite manuellement. Ces brûleurs STAR sont dotés de l'option ExtraLow et ne peuvent pas être allumés manuellement.

Il incombe au propriétaire et à l'installateur de déterminer si des exigences ou des normes additionnelles s'appliquent à l'installation spécifique.

Consignes de sécurité destinées à éviter les blessures

Votre cuisinière PROFESSIONAL^{mc} de THERMADOR est conçue pour être fiable et sécuritaire si elle est bien entretenue. Néanmoins, vous devez faire preuve d'une grande prudence lorsque vous utilisez cette cuisinière professionnelle, car ce type d'appareil produit une chaleur intense. L'utilisation d'appareils de cuisine doit se faire conformément aux consignes élémentaires de sécurité, y compris ce qui suit:

Lisez attentivement le présent guide d'utilisation et d'entretien avant d'utiliser votre nouvelle cuisinière afin de réduire les risques d'incendie, de décharge électrique ou de blessures.

L'installation et l'entretien doivent être correctement effectués. Suivez les instructions d'installation fournies avec le produit. Assurez-vous qu'un électricien qualifié installe et effectue la mise à la terre de la cuisinière.

Demandez à l'installateur de vous montrer où se trouvent le disjoncteur et la vanne d'arrêt de gaz pour savoir où et comment couper l'alimentation électrique et l'approvisionnement en gaz de la cuisinière.

Si le brûleur fuit et que du gaz s'en échappe, ouvrez une fenêtre ou une porte. Ne tentez pas d'utiliser la cuisinière avant que le gaz ait eu le temps de se dissiper. Attendez au moins 5 minutes avant d'utiliser la cuisinière.

Ne réparez et ne remplacez aucune pièce de l'appareil, sauf sous recommandation expresse du présent guide. Toute autre réparation doit être effectuée par un technicien qualifié.

AVERTISSEMENT :

Ne rangez pas d'objets attirant l'attention d'enfants au-dessus ou derrière la cuisinière. Ils risqueraient d'y monter pour s'en emparer et pourraient se blesser gravement.

Ne laissez pas d'enfants seuls ou sans surveillance dans une pièce où des appareils fonctionnent. Ils ne devraient jamais pouvoir s'asseoir ou monter sur une partie quelconque de l'appareil. Si des enfants sont autorisés à utiliser la cuisinière, ils doivent être surveillés étroitement.

N'utilisez jamais la cuisinière ou le four comme espace de rangement. Les matières inflammables pourraient prendre feu et les objets en plastique pourraient fondre ou prendre feu.

N'accrochez rien sur l'appareil et n'appuyez rien contre le four. Certains tissus sont peut-être facilement s'enflammer.

Si la cuisinière est placée près d'une fenêtre, assurez-vous que les courants d'air ne peuvent pas pousser les rideaux jusqu'au-dessus ou à proximité des brûleurs; ils pourraient s'enflammer.

Assurez-vous qu'il y a un détecteur de fumée fonctionnel près de la cuisine.

Si vos vêtements ou vos cheveux prennent feu, jetez-vous immédiatement par terre et roulez pour éteindre les flammes.



INSTRUCTIONS DE SÉCURITÉ IMPORTANTES

LISEZ ET CONSERVEZ CES INSTRUCTIONS

Ayez un extincteur approprié à portée de la main, visible et facile d'accès, tout près de l'appareil de cuisson.

Étouffez les flammes provenant d'aliments en feu, autre que les feux de friture, avec du bicarbonate de soude. N'utilisez jamais de l'eau pour éteindre des aliments en feu.

AVERTISSEMENT :

POUR RÉDUIRE LES RISQUES DE FEU DE FRITURE :

- Ne laissez jamais l'appareil sans surveillance lors de son utilisation à haute température. Les débordements par bouillonnement causent de la fumée et des déversements de graisse qui peuvent prendre feu. Faites chauffer l'huile à des températures basses ou moyennes.
- Allumez toujours la hotte lorsque vous cuisinez à haute température ou que vous faites flamber des aliments (c.-à-d. crêpes Suzette, cerises jubilé, bœuf flambé au poivre).
- Nettoyez fréquemment les ventilateurs. Ne laissez pas la graisse s'accumuler sur les ventilateurs ou les filtres.
- Utilisez des poêlons aux dimensions adéquates. Utilisez toujours une batterie de cuisine correspondant aux dimensions de l'élément ou du brûleur.

Dans la mesure du possible, ne faites pas fonctionner le système de ventilation lorsqu'il y a un feu sur la surface de cuisson. Cependant, ne tentez pas de l'éteindre en passant votre main dans le feu.

Lorsque les enfants sont assez âgés pour utiliser l'appareil, il est de la responsabilité légale des parents ou des tuteurs de veiller à ce que des personnes qualifiées leur enseignent des pratiques sécuritaires.

Les vêtements, poignées, mitaines ou toute autre matière inflammable ne doivent pas toucher ni être placés à proximité des brûleurs à infrarouge, des brûleurs ou des grilles des brûleurs avant que ceux-ci n'aient eu le temps de refroidir. Les tissus pourraient prendre feu et provoquer des blessures.

N'utilisez que des poignées et mitaines sèches : la vapeur qui se dégage de poignées et de mitaines mouillées ou humides posées sur des surfaces chaudes peut provoquer des blessures. N'utilisez pas de serviettes ni de chiffons volumineux au lieu de poignées et de mitaines. Ne laissez pas de poignées ou de mitaines toucher des grilles de brûleurs, des brûleurs à infrarouge ou des brûleurs chauds.

Pour votre sécurité, lorsque vous utilisez l'appareil, portez des vêtements adéquats et évitez ceux qui sont amples et qui ont des manches tombantes. Certains tissus synthétiques sont hautement inflammables. Vous ne devriez pas en porter lorsque vous cuisinez.

AVERTISSEMENT :

Pour Réduire Les Risques De Blessure Lors D'un Feu De Friture, Observez Les Consignes Suivantes :

- Étouffez les flammes avec un couvercle, une plaque à biscuits ou un plateau de métal et éteignez ensuite le brûleur ou l'élément. Prenez garde aux risques de brûlure. Si les flammes ne disparaissent pas immédiatement, évacuez les lieux et appelez le service d'incendie.
- NE PRENEZ JAMAIS UN POÊLON EN FEU – Vous pourriez vous brûler.
- N'UTILISEZ PAS D'EAU ou un linge à vaisselle mouillé – une violente explosion de vapeur s'ensuivra.
- Utilisez un extincteur SEULEMENT si :
 - Vous savez que vous possédez un extincteur de classe ABC et vous savez vous en servir.
 - Le feu est faible et ne s'est pas répandu depuis son point d'origine.
 - Vous avez appelé le service d'incendie.
- Vous pouvez sortir facilement de l'endroit où vous combattez le feu.

N'enveloppez aucune pièce de la cuisinière ou du four dans du papier d'aluminium. L'utilisation de revêtement en aluminium pourrait causer une décharge électrique ou un incendie, ou encore obstruer la circulation d'air de la combustion et de l'aération. Le papier d'aluminium est un excellent isolateur et il retient la chaleur. Son utilisation aura une incidence sur la cuisson et pourrait endommager le fini du four ou de la cuisinière.

AVERTISSEMENT :

Cet appareil a été conçu pour un usage culinaire. Pour des raisons de sécurité, n'utilisez jamais le four ou la table de cuisson pour chauffer une pièce. Cela pourrait endommager les composantes de la table de cuisson ou du four.



INSTRUCTIONS DE SÉCURITÉ IMPORTANTES

LISEZ ET CONSERVEZ CES INSTRUCTIONS

Quand vous utilisez la table de cuisson : NE TOUCHEZ PAS LES GRILLES DES BRÛLEURS OU LES ZONES ADJACENTES. Les zones entourant les brûleurs peuvent devenir assez chaudes pour causer des brûlures.

AVERTISSEMENT :

RISQUE DE BASCULEMENT DE LA CUISINIÈRE:

- Toutes les cuisinières peuvent basculer et blesser quelqu'un. Pour éviter un basculement accidentel de la cuisinière, elle doit être fixée au sol, au mur ou à une armoire à l'aide du dispositif anti-bascule fourni.
- L'appareil risque de basculer s'il n'est pas installé conformément à ces instructions.
- En déplaçant la cuisinière pour la nettoyer, la réparer ou pour toute autre raison, assurez-vous qu'elle s'est bien enclenchée dans le dispositif anti-bascule lorsque vous la remettez en place. Autrement, si l'appareil est utilisé de façon anormale (par exemple, si quelqu'un monte, s'assoie ou s'appuie sur une porte ouverte), la cuisinière risque de basculer. Le basculement de la cuisinière ou d'un liquide chaud se trouvant sur la surface de cuisson pourrait causer des blessures corporelles.

Lorsque vous cuisinez, réglez les brûleurs de façon à ce que la flamme ne chauffe que le fond du récipient sans déborder sur les côtés.

Ne faites pas chauffer de récipients fermés. La pression s'accumulant dans le récipient pourrait le faire éclater et provoquer des blessures.

AVERTISSEMENT :

N'utilisez JAMAIS cet appareil pour chauffer une pièce. Ceci peut causer un empoisonnement au monoxyde de carbone et surchauffer l'appareil.

Ne laissez jamais la cuisinière sans surveillance quand vous utilisez une flamme intense. Les débordements produisent de la fumée et des éclaboussures de graisse qui peuvent s'enflammer. Par ailleurs, si la flamme d'un brûleur s'éteint, du gaz s'échappera dans la pièce. Pour en savoir plus sur les fuites de gaz, consultez la *page 1*.

Seuls certains types de casseroles en verre, en vitrocéramique résistant à la chaleur, en céramique, en terre cuite ou en céramique vitrifiée peuvent être utilisés sur les brûleurs de la cuisinière. Ce type de récipients peut se casser lors de changements de température brusques.

N'utilisez que des réglages de flamme bas ou moyen et respectez les directives du fabricant.

AVERTISSEMENT :

Ne recouvrez JAMAIS des fentes, des trous ou des parties du fond du four et ne couvrez jamais des grilles entières avec des matières comme du papier d'aluminium. Vous obstruerez la circulation d'air dans le four, ce qui peut causer un empoisonnement au monoxyde de carbone. Un revêtement en papier d'aluminium peut également piéger la chaleur et présenter un risque d'incendie.

AVERTISSEMENT :

Évitez d'utiliser une flamme forte de façon prolongée avec un récipient plus grand que la grille ou couvrant plusieurs brûleurs, comme une plaque. Cela peut nuire à la combustion et produire des émanations dangereuses.

Les grandes casseroles, les plaques à biscuits, etc. ne doivent jamais être utilisées sur la surface de cuisson.

Soyez prudent et assurez-vous que les courants provenant de grilles d'aération ou de ventilateurs ne soufflent pas de matière inflammable vers les flammes ou ne poussent pas les flammes sur les côtés de la casserole ou du poêlon.

Utilisez toujours des casseroles et poêlons à fond plat et suffisamment larges pour couvrir le brûleur. L'utilisation de casseroles trop petites pourrait exposer une partie de la flamme et enflammer des vêtements.

N'utilisez pas de produits nettoyants inflammables pour nettoyer la cuisinière.

Pour réduire les risques de brûlure, d'inflammation de matières inflammables et de renversements accidentels, placez les poignées des récipients vers l'intérieur de la cuisinière pour qu'elles ne dépassent pas sur les surfaces de travail adjacentes, les zones de préparation ou le bord de la table de cuisson de la cuisinière.

Tenez la poignée du récipient pour l'empêcher de bouger quand vous remuez des aliments.

Veillez noter que certaines personnes et certains animaux peuvent être sensibles aux odeurs créées pendant le processus d'autonettoyage, qu'il s'agisse des résidus de fabrication ou d'aliments qui brûlent. Il est donc recommandé pour ces personnes ou ces animaux d'éviter de se trouver dans la cuisine pendant le processus d'autonettoyage.



INSTRUCTIONS DE SÉCURITÉ IMPORTANTES

LISEZ ET CONSERVEZ CES INSTRUCTIONS

N'utilisez pas le plateau de la plaque chauffante pour faire cuire des viandes très grasses ou des produits qui s'enflamment facilement.

Avant d'utiliser la plaque chauffante ou les brûleurs à proximité, enlevez la planche à découper optionnelle ou l'accessoire de recouvrement de la plaque.

LA GRAISSE EST INFLAMMABLE. Laissez la graisse chaude refroidir avant d'essayer de la manipuler. Évitez de laisser de la graisse s'accumuler. Nettoyez après chaque utilisation.

Nettoyez la cuisinière avec soin. Faites attention de ne pas vous brûler avec la vapeur : n'utilisez pas d'éponge ou de chiffon mouillé pour nettoyer la cuisinière quand elle est chaude. Certains produits nettoyants dégagent des vapeurs toxiques s'ils sont appliqués sur une surface chaude. Suivez les indications fournies par le fabricant du produit nettoyant.

Pour que les brûleurs s'allument et fonctionnent correctement, les orifices d'allumage doivent être gardés propres. Il faut les nettoyer après un débordement ou lorsque le brûleur ne s'allume pas même si le système d'allumage électronique s'actionne. Consultez la section « *Base de brûleur en cuivre et chapeau en fonte* » à la page 37 ».

AVERTISSEMENT :

Après un renversement ou une éclaboussure, éteignez le brûleur et nettoyez le pourtour et les orifices. Assurez-vous du bon fonctionnement de l'appareil après le nettoyage.

AVERTISSEMENT :

Pour éviter tout risque de brûlure ou d'incendie, un dosseret de protection conçu spécialement pour cette cuisinière doit être installé avant son utilisation.

Assurez-vous que tous les boutons de la table de cuisson sont hors circuit et que la table de cuisson est froide avant d'utiliser un produit nettoyant en aérosol sur celle-ci ou à proximité de celle-ci. Certains produits chimiques vaporisés peuvent, en présence de chaleur, prendre feu ou corroder les pièces métalliques.

Quand vous utilisez le four, ne touchez pas aux brûleurs à infrarouge, aux surfaces internes du four ou à la zone externe entourant la porte. Les surfaces internes du four chauffent suffisamment pour causer des brûlures. Le déflecteur de chaleur, qui évacue la chaleur de la table de

cuisson et de la garniture sur le dessus et les côtés de la porte du four, sera également chaud pendant l'utilisation du four.

Placez les grilles du four à la position voulue pendant que le four est froid. Si vous devez déplacer une grille quand le four est chaud, ne laissez pas les ustensiles entrer en contact avec le brûleur à infrarouge.

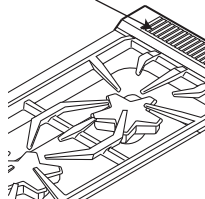
Faites preuve de prudence lorsque vous ouvrez la porte du four. Laissez l'air chaud et la vapeur s'échapper avant d'introduire ou de retirer des aliments.

Avant de procéder à l'autonettoyage du four, enlevez la lèchefrite, les grilles du four, tout autre ustensile et les accumulations de saletés.

N'OBSTRUEZ PAS la circulation d'air de combustion ou d'aération.

MISE EN GARDE :

Ouverture d'aération du dosseret bas



NE bloquez et n'obstruez PAS les prises d'air de ventilation. L'ouverture d'aération du four est située à l'arrière de l'appareil. Les ouvertures d'aération ne doivent pas être obstruées. Elles doivent être ouvertes pour permettre la circulation d'air nécessaire au fonctionnement adéquat du four.



NE touchez PAS la zone entourant le trou d'aération du four lorsque l'appareil fonctionne, et ce, plusieurs minutes après la fin de son utilisation. Certaines pièces de l'ouverture d'aération et de la zone l'entourant deviennent assez chaudes pour causer des brûlures. Laissez suffisamment de temps à l'appareil pour qu'il refroidisse avant de toucher ou de nettoyer l'ouverture d'aération et la zone l'entourant.

NE mettez PAS du plastique ou d'autres articles sensibles à la chaleur sur l'ouverture d'aération du four ou à proximité. Ces articles pourraient fondre ou s'enflammer.



INSTRUCTIONS DE SÉCURITÉ IMPORTANTES

LISEZ ET CONSERVEZ CES INSTRUCTIONS

Protégez le dispositif d'autonettoyage. Nettoyez seulement les parties indiquées dans le présent guide. N'utilisez pas de produits nettoyants commerciaux ou de revêtements de protection pour four dans le four autonettoyant ou autour.

Pour des raisons de sécurité et pour ne pas endommager l'appareil, ne vous asseyez pas, ne montez pas et ne vous appuyez pas sur la porte du four.

Toutes les réparations doivent être effectuées par des techniciens agréés, qui devront débrancher l'alimentation électrique de l'appareil avant de le réparer.

Pour éviter tout risque d'incendie, nettoyez fréquemment la hotte et les filtres afin d'empêcher les accumulations de graisse.

Assurez-vous de bien entendre la soufflerie de refroidissement lorsque le four est réglé aux modes BROIL ou BAKE, et qu'il atteint une température de 300°F (149°C) ou au mode d'autonettoyage. Si le ventilateur ne fonctionne pas, n'utilisez pas le four. Appelez un centre autorisé pour obtenir du service.

En cas d'incendie ou si vous faites flamber intentionnellement de l'alcool sur la table de cuisson, suivez les instructions du fabricant. Faites preuve de prudence lorsque vous cuisinez avec de l'alcool (ex. : rhum, brandy, bourbon) dans le four. L'alcool s'évapore à haute température. Les vapeurs d'alcool peuvent s'enflammer dans le four et présenter un risque de brûlure. Utilisez seulement une petite quantité d'alcool avec les aliments et faites attention lorsque vous ouvrez la porte du four.

Ne rangez pas ou n'utilisez pas de produits chimiques, corrosifs, inflammables, non alimentaires près de cet appareil ou dans cet appareil, lequel est spécifiquement conçu pour réchauffer ou faire cuire des aliments. L'utilisation de produits chimiques corrosifs pendant le réchauffage ou la cuisson peut endommager l'appareil et causer des blessures.

Vous ne devez pas nettoyer, frotter, endommager, déplacer ni retirer le joint de la porte. Il est essentiel pour assurer une bonne étanchéité pendant la cuisson ou l'autonettoyage du four. Si le joint est usé ou très sale, remplacez-le pour assurer une bonne étanchéité.

Avant de Commencer

Avant d'utiliser la cuisinière pour la première fois, assurez-vous d'avoir ces articles:

Tableau 1: Accessoires et pièces de la cuisinière

| DESCRIPTION | 36 po, 4 brûleurs avec plaque chauffante | 36 po, 6 brûleurs | 48 po, 6 brûleurs avec plaque chauffante |
|--|--|-------------------|--|
| Grilles de four Full Access ^{mc} , four principal | 3 | 3 | 3 |
| Grilles de four Full Access, four secondaire | 0 | 0 | 2 |
| Lèchefrite deux pièces* | 1 | 1 | 2 |
| Sonde thermique | 1 | 1 | 2 |
| Chapeaux de brûleurs STAR ^{mc} | 4 | 6 | 6 |
| Grilles des brûleurs | 2 | 3 | 3 |
| Boutons de commande | 7 | 8 | 9 |
| Jeu de conversion au gaz propane | 1 | 1 | 1 |
| Plaque chauffante en aluminium avec revêtement en titane | 1 | 0 | 1 |
| Assemblages des recouvrements de pattes** | 2 | 2 | 2 |
| Garniture d'îlot*** | 1 | 1 | 1 |
| Carte d'enregistrement du produit | 1 | 1 | 1 |
| Guide de trucs pratiques | 1 | 1 | 1 |
| Manuel d'installation | 1 | 1 | 1 |
| Guide d'utilisation et d'entretien | 1 | 1 | 1 |

*Tous les modèles sont vendus avec une lèchefrite de deux pièces en porcelaine pour le four. Les modèles de 48 pouces sont également vendus avec une petite lèchefrite de deux pièces pour le four secondaire.

** Sides pièces de recouvrement supplémentaires sont requises, vous pouvez en commander sans frais au centre de service à la clientèle en appelant au 1-800-735-4328 jusqu'à un an après la date d'achat de l'appareil. Lorsque vous commandez, mentionnez la trousse de recouvrements de pattes (Leg Cover Kit) 751305.

*** Tous les modèles sont vendus avec une garniture d'îlot. Toutefois, consultez l'avertissement concernant l'espace derrière la cuisinière lors de l'utilisation de la cuisinière avec cet accessoire.



Enlevez tout le matériel d'emballage et les étiquettes temporaires du four et de la table de cuisson. Veuillez recycler le matériel d'emballage, car tout ce que THERMADOR^{mc} utilise pour emballer ses appareils est recyclable.

1. Assurez-vous que vous avez tous les éléments énumérés au Tableau 1.
2. **Notez les numéros de modèle et de série à la page 42.** Consultez les renseignements apparaissant sur la plaque de la fiche signalétique. La plaque de la fiche signalétique se trouve à la droite de l'appareil, entre la cavité du four et le panneau latéral (voir la Figure 35 à la page 42). Vous pouvez utiliser ces renseignements lors de toutes vos futures

communications avec le service à la clientèle. Inscrivez-les également sur la carte d'enregistrement du produit fournie avec l'appareil et envoyez cette dernière à l'adresse indiquée.

3. **Accessoires optionnels :** Plaque de gril (PA12GRILHC), planche à hacher de 12 po (PA12CHPBLK), couvercle de plaque chauffante (PA12CVRJ), anneau de support du wok (PWOKRINGHC), plaque de seuil (PA48JTKG) et autres accessoires sont disponibles chez votre concessionnaire THERMADOR.

IMPORTANT :

Avant de mettre le four en marche, tous les boutons du four doivent être à la position OFF.

Pour prévenir tout fonctionnement non voulu lors de la mise en marche du four, veuillez placer tous les boutons à la position OFF. Pour assurer la sécurité de l'utilisateur lors d'une panne d'électricité, un message annonçant une erreur apparaît à l'écran de l'appareil lors de la reprise du courant, à moins que tous les boutons soient à la position OFF. Remettez tous les boutons à la position OFF et réinitialisez le disjoncteur pour éliminer ce message.

4. **Placez correctement les grilles dans le four.** La position adéquate des grilles dépend de la recette et du mode de cuisson. **Les positions des grilles dans le four sont numérotées de bas en haut, comme un ascenseur.** La position no 3 est la position la plus fréquemment utilisée. Introduisez la ou les grilles à la position voulue avant d'allumer le four.

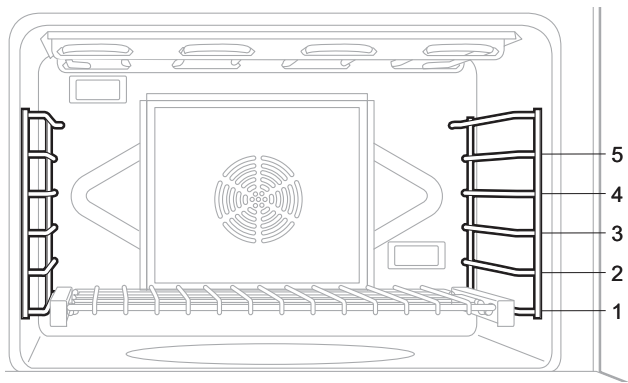


Figure 1 : Positions des grilles dans le grand four

Les grilles coulissantes Full Access^{mc} de THERMADOR sont standards sur tous les modèles :

vous pouvez tirer et pousser les grilles dans le four avec un effort minime – même lorsqu'elles soutiennent une grosse dinde ou un rôti lourd.

5. **Assurez-vous que les chapeaux des brûleurs STAR^{mc} sont bien posés sur leurs bases sur la table de cuisson** (Figure 13 et Figure 14 à la page 15). Allumez chaque brûleur pour vous assurer que la flamme est d'une couleur adéquate. Consultez la section « *Description de la flamme* » à la page 16 » pour plus de détails.

IMPORTANT:

Enlevez toujours les grilles Full Access^{mc} avant de procéder à l'autonettoyage du four. Si les grilles coulissantes restent dans le four pendant l'autonettoyage, les lubrifiants du mécanisme de glissement de chaque grille seront endommagés et le fini se décolorera.

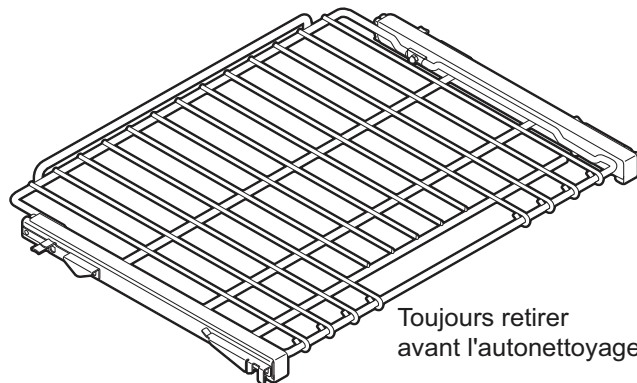


Figure 2 : Grille coulissante



ATTENTION :

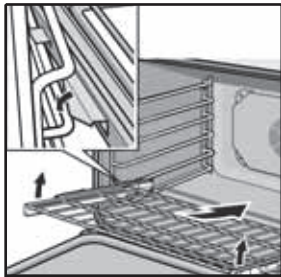
N'utilisez jamais de papier d'aluminium pour recouvrir les grilles du four ou chemiser le four. N'enlevez pas l'élément du grilloir du four électrique. L'utilisation inadéquate de papier d'aluminium peut endommager le four.



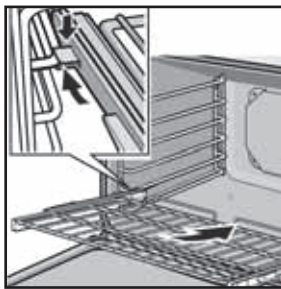
AVERTISSEMENT :

Pour prévenir les risques de brûlure, n'enlevez ou ne déplacez JAMAIS les grilles lorsque le four est en marche ou lorsqu'il refroidit.

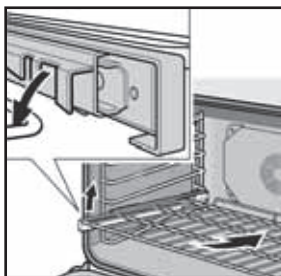
Comment placer la grille dans le four :



1. Tenez la grille dans un angle légèrement ouvert. Placez les crochets sous la partie avant des fentes des glissières.



2. Poussez la grille dans le four en la soulevant par-dessus les butées de sécurité situées à l'avant des glissières.
3. Tenez la grille bien droite.
4. Poussez la grille jusqu'à ce qu'elle arrive au même niveau que les crochets avant.



5. Soulevez la grille.
6. Poussez la grille jusqu'au fond.
7. Engagez les crochets avant de la grille dans les glissières.

IMPORTANT :

Lorsque vous installez la grille coulissante dans le four, assurez-vous que les supports frontaux des glissières de la grille reposent dans les larges fentes des coins avant de la grille. Cela est nécessaire pour que la grille demeure dans la bonne position lorsqu'elles se trouvent totalement à l'intérieur du four.

NOTE :

Il est normal durant le processus de refroidissement que le four dégage de l'air chaud dans la pièce où il se trouve.

Les cuisinières PROFESSIONAL^{mc} de THERMADOR dégagent parfois une odeur particulière ou de la fumée lors de la première utilisation. Ces odeurs ou cette fumée proviennent des résidus de fabrication qui brûlent, ce qui est caractéristique de toute nouvelle cuisinière, indépendamment du fabricant. **Avant d'utiliser le four ou le grilloir**, allumez le four et le grilloir pour brûler les huiles de fabrication en ayant recours à l'une des deux méthodes suivantes :

- Mettez le système de ventilation de la cuisine en marche (si la hotte utilisée fonctionne avec un système de reprise d'air, ouvrez une fenêtre). Réglez le four à 500°F (260°C) et laissez le four fonctionner pendant deux heures à une température élevée, puis éteignez-le. Veuillez consulter la section « *Entretien et Nettoyage* » à la page 35 avant de nettoyer les grilles du four.
- Mettez le système de ventilation de la cuisine en marche (si la hotte utilisée fonctionne avec un système de reprise d'air, ouvrez une fenêtre). Enlevez les grilles du four. Réglez le four au mode d'autonettoyage et laissez-le terminer son cycle (voir la section « *Autonettoyage du four* » à la page 35 »).

Veillez noter que les oiseaux de compagnie peuvent être sensibles aux odeurs créées durant l'utilisation du four à température élevée, qu'elles proviennent de la combustion de résidus de fabrication ou d'aliments. Il est donc recommandé de sortir les oiseaux de compagnie de la cuisine.

Figure 3 : Installation de la grille du four

Description

Identification du modèle et des pièces – Cuisinière de 48 po

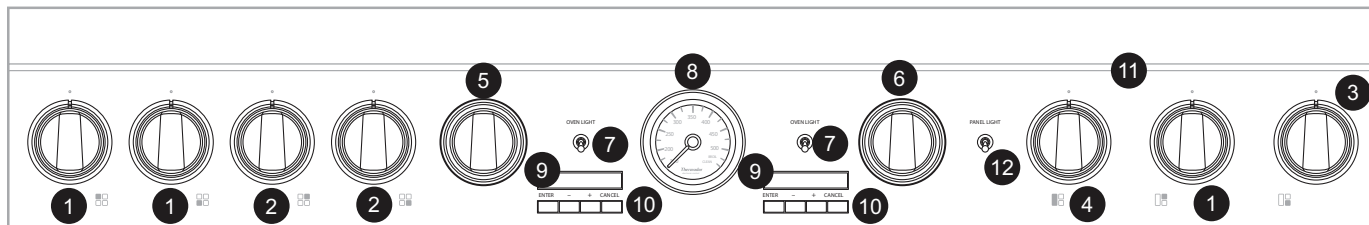
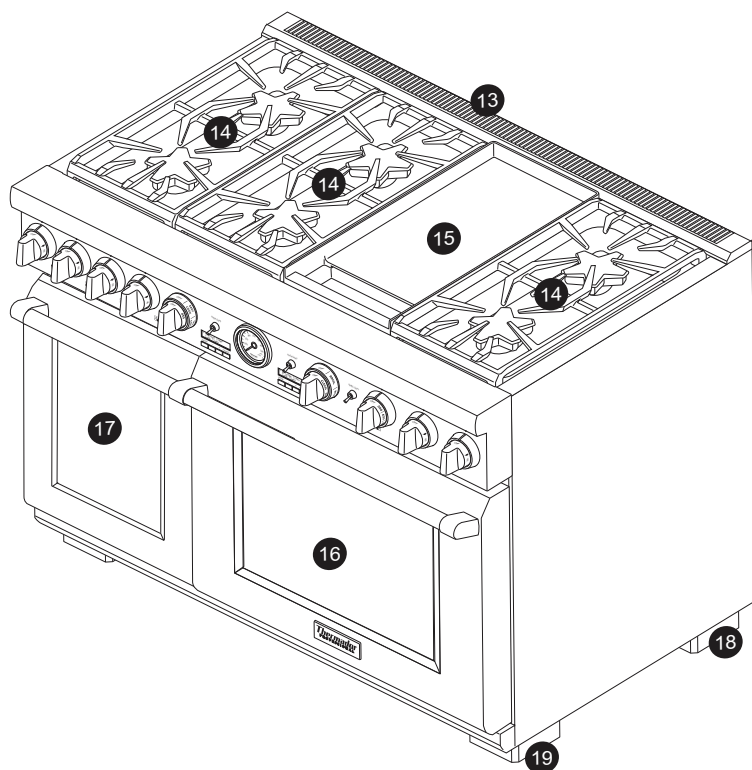


Figure 4 : Tableau de commande de la cuisinière mixte de 48 pouces



AVERTISSEMENT :

Pour assurer une bonne ventilation de la cuisinière, n'enlevez PAS les pattes de la cuisinière.

Légende du modèle de 48 po

1. Bouton de commande: brûleurs ExtraLow^{mc} (3)
2. Boutons de commande: brûleurs standards (2)
3. Boutons de commande: brûleur ExtraHigh^{mc} et ExtraLow (1)
4. Boutons de commande: plaque chauffante électrique (1)
5. Boutons de commande: four secondaire
6. Boutons de commande: four principal
7. Interrupteurs des lumières des fours
8. Indicateur de température
9. Écrans d'affichage des fours
10. Boutons de commande du poste d'affichage pour les fours
11. Lumière du tableau de commande
12. Interrupteur de la lumière du tableau de commande
13. Garniture d'îlot (inclus), étagère haute ou dossier bas (commandés séparément)
14. Grilles et brûleurs
15. Plaque chauffante électrique
16. Porte du four principal (trois grilles incluses)
17. Four secondaire (deux grilles incluses)
18. Patte de la cuisinière
19. Recouvrements de patte (2), plinthe (commandée séparément)

Figure 5 : Identification des pièces de la cuisinière mixte de 48 po

Identification du modèle et des pièces – Cuisinière de 36 po

Légende du modèle de 36 po

1. Garniture d'îlot (inclus), étagère haute ou dossieret bas (commandés séparément)
2. Grilles et brûleurs (plaque chauffante située au centre pour certains modèles)
3. Plaque chauffante (sur certains modèles)
4. Bouton de commande: brûleurs ExtraLow^{mc} (3)
5. Boutons de commande: brûleur ExtraHigh^{mc} et ExtraLow (1)
6. Boutons de commande et indicateur du four
7. Bouton de commande de la plaque chauffante (sur certains modèles)
8. Lumière et interrupteurs des lumières du tableau de commande du four
9. Indicateur de température
10. Écran d'affichage et boutons de commande du four
11. Porte du four
12. Patte de la cuisinière
13. Recouvrements de patte (2), plinthe (commandée séparément)



AVERTISSEMENT :

Pour assurer une bonne ventilation de la cuisinière, n'enlevez PAS les pattes de la cuisinière.

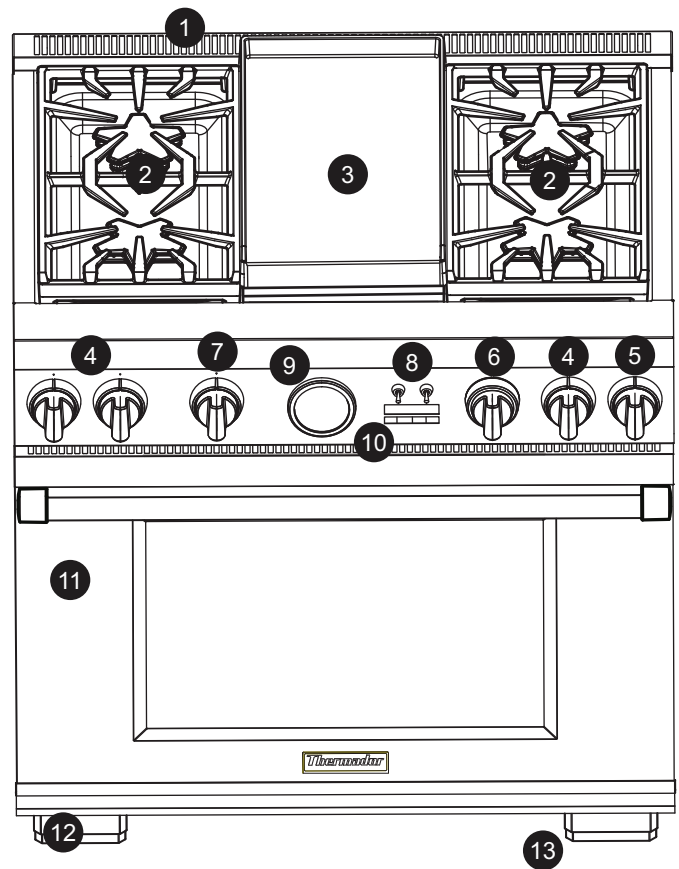
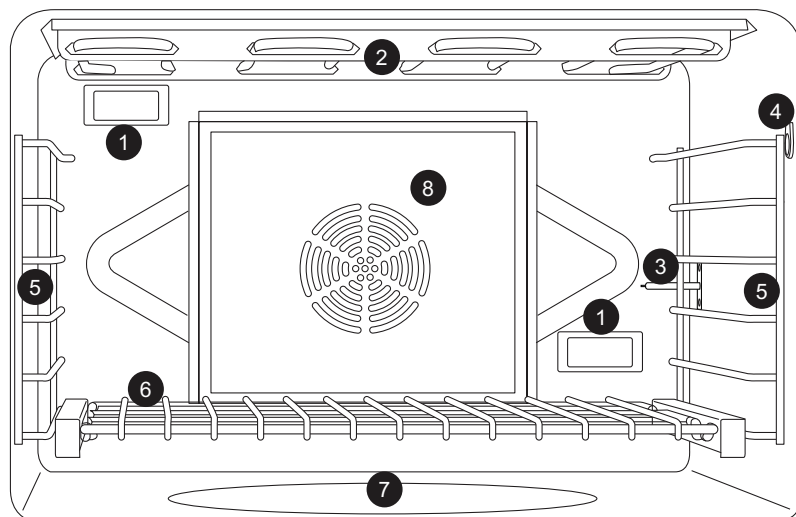


Figure 6 : Identification des pièces de la cuisinière mixte de 36 po



Intérieur du four au mixte principal

1. Lumières intérieures (2)
2. Brûleurs à infrarouge du grilloir (2)
3. Capteur de température du four
4. Prise de la sonde thermique (également située du côté gauche dans le petit four de certains modèles)
5. Glissières des grilles
6. Grilles coulissantes (trois incluses – non illustrées)
7. Brûleur du four (dissimulé)
8. Couvercle de ventilateur pour cuisson à convection

Figure 7 : Intérieur du four au mixte des modèles de 36 po et 48 po

Utilisation de la Cuisinière

Brûleurs scellés

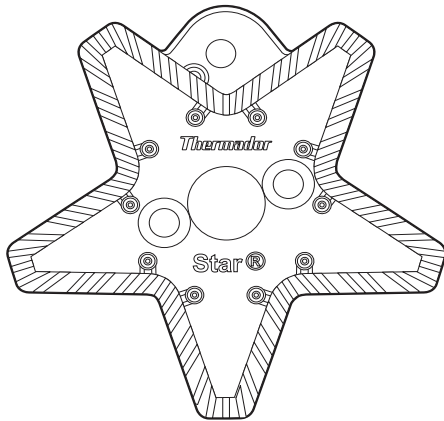


Figure 8 : Base de brûleur STAR en laiton

La table de cuisson comporte quatre ou six brûleurs à gaz STAR^{mc}; le brûleur STAR avant droit a une puissance de 22 000 BTU/h (18 000 BTU/h avec gaz propane) et tous les autres brûleurs STAR ont une puissance de 18 000 BTU/h (15 000 BTU/h avec gaz propane).

Chaque brûleur est muni d'un dispositif QuickClean^{mc} unique qui facilite le nettoyage du brûleur et de la zone qui lui est adjacente.

Pour tous les modèles, les deux brûleurs STAR de gauche et de droite sont dotés de la fonction exclusive ExtraLow^{mc}, alors que les autres brûleurs sont standards. À chacun des brûleurs correspond un bouton de commande.

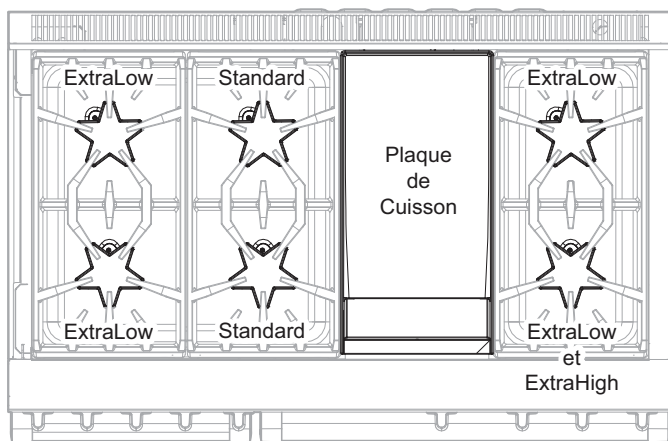


Figure 9 : Fonctions du brûleur

Boutons de commande

Normalement, deux boutons de commande sont placés sur le panneau de commandes, directement en face des deux brûleurs au gaz auxquels ils correspondent, avec un brûleur au gaz situé en face d'un autre sur la table de cuisson.

Le symbole au-dessus de chaque bouton de brûleur identifie la position qu'il occupe sur la table de cuisson de la cuisinière. Les symboles de la Figure 11 correspondent au modèle de la cuisinière de 48 po.

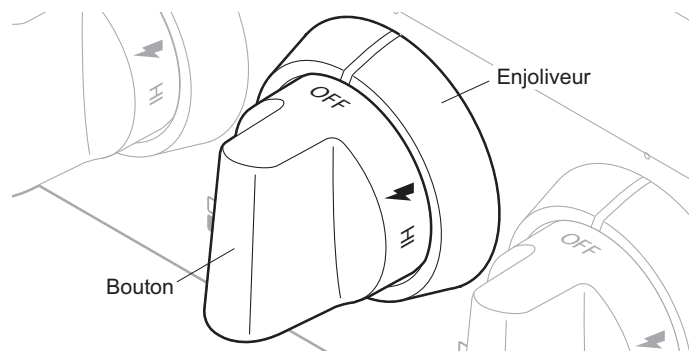


Figure 10 : Bouton de commande standard d'un brûleur

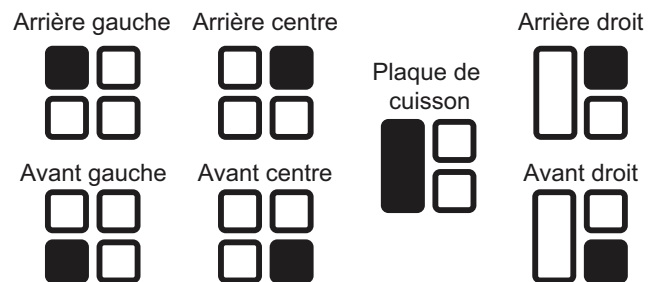


Figure 11 : Symboles de la table de cuisson

Fonctionnement des brûleurs

- Poussez sur le bouton et tournez-le dans le sens antihoraire jusqu'au réglage HI. L'allumeur du brûleur sélectionné émet des étincelles pour allumer le brûleur.
- Une fois le brûleur allumé, l'allumeur cesse d'émettre des étincelles.
- Tournez le bouton à n'importe quel réglage entre HI et SIM.
- Un témoin lumineux bleu se trouve directement au-dessus de chaque bouton de commande de brûleur. Le témoin s'allume si le bouton de commande est tourné à un mode actif et s'éteint lorsqu'il est à la position OFF.

BTU des brûleurs standards

- HI équivaut à 15 000 BTU/h (13 000 BTU/h avec propane).
- SIM équivaut à 2100 BTU/h.

BTU des brûleurs ExtraLow^{mc}

- HI équivaut à 18 000 BTU/h (15 000 BTU/h avec propane).
- SIM équivaut à 3000 BTU/h.
- XLO^{mc} équivaut à 375 BTU/h lorsque le bouton de commande est au réglage ExtraLow le plus bas.

BTU du brûleur POWERBOOST^{mc}

- XHI^{mc} équivaut à 22 000 BTU/h (18 000 BTU/h avec propane).
- SIM équivaut à 3000 BTU/h.
- XLO équivaut à 375 BTU/h lorsque le bouton de commande est au réglage ExtraLow le plus bas.

Brûleurs ExtraLow^{mc}

Les boutons de commande des deux brûleurs de gauche et des deux brûleurs de droite, avant et arrière, peuvent être ajustés à des intensités de flamme encore plus basses que les réglages standards de mijotage.

La *Figure 12* montre la gamme supplémentaire de réglages du bouton entre SIM et XLO. Lorsque le bouton est ajusté pour l'utilisation de cette fonction, la flamme s'allume et s'éteint par intervalles. La durée pendant laquelle la flamme est allumée et éteinte permet de réduire davantage la quantité de chaleur et de cuire des aliments délicats. Par exemple, le réglage très bas est utile pour faire mijoter et pocher, faire fondre du chocolat et du beurre, ou maintenir la température de plats préparés sans qu'ils roussissent ou brûlent, etc.

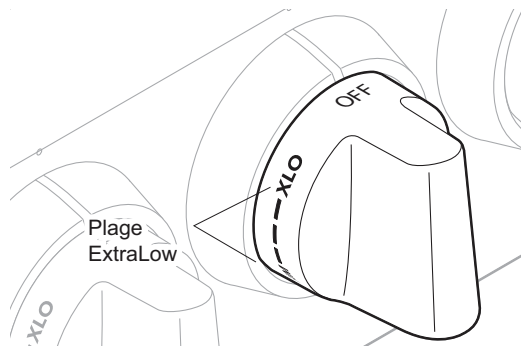


Figure 12 : Bouton de commande d'un brûleur ExtraLow

Fonctionnement d'un brûleur ExtraLow^{mc}

- XLO, le réglage le plus bas, fonctionne par cycles d'une minute où la flamme est allumée pendant environ 7 secondes puis éteinte pendant environ 53 secondes.
- Lorsque le bouton est réglé juste en dessous du repère SIM, la flamme reste allumée pendant environ 54 secondes et s'éteint pendant environ 6 secondes.
- Pour faire varier le degré de chaleur, il est possible de régler le bouton à n'importe quelle position entre SIM et XLO.

Techniques ExtraLow^{mc}

- Le type et la quantité d'aliments déterminent le réglage à utiliser.
- Le réglage est également déterminé par le type de récipient choisi. Ses dimensions, sa forme, le matériau et l'utilisation d'un couvercle sont des facteurs qui influent sur la constance de la température de cuisson.
- Pour maintenir une chaleur basse ou pour faire mijoter, portez les aliments à ébullition. Remuez bien, couvrez le récipient puis baissez le réglage en plaçant le bouton juste en dessous de SIM.
- Vérifiez régulièrement s'il est nécessaire de modifier le réglage du bouton de commande.
- Si vous utilisez un récipient surdimensionné, vos aliments mijoteront principalement au centre de celui-ci. Pour homogénéiser la température d'ensemble, remuez les aliments de façon à ce que ceux qui se trouvent sur les rebords passent également par le centre.
- Quand un plat mijote, il est normal de le remuer de temps à autre, surtout s'il doit mijoter pendant plusieurs heures, comme dans le cas de fèves au lard ou d'une sauce à spaghetti maison.
- Quand vous baissez le réglage de la flamme, faites-le graduellement.
- Si le réglage est trop bas pour faire mijoter, portez de nouveau à ébullition avant de mettre le bouton à un réglage plus intense.
- Il est normal de ne pas voir de bulles après avoir remué les aliments.
- Quand la flamme est allumée, des bulles peuvent se former, puis disparaître lorsqu'elle s'éteint. Même quand la flamme est éteinte, de la vapeur et un léger frémissement seront perceptibles à la surface du liquid.

POWERBOOST^{mc}

Le bouton de commande POWERBOOST, ou XHI est supérieure de 4000 BTU au réglage de tout autre brûleur STAR^{mc}. Il est pratique pour rapidement faire bouillir de l'eau, saisir des steaks, faire sauter des légumes, etc. Les fonctions SIM et XLO^{mc} s'utilisent de la même manière que sur les autres brûleurs (voir *Figure 11* à la page 13).

Vérification de la position des chapeaux des brûleurs.

- Vérifiez chaque brûleur pour vous assurer qu'il n'y a pas d'espace entre le chapeau et la base du brûleur. Voir les *Figure 13* et *Figure 14* pour des exemples de chapeau de brûleur correctement ou incorrectement placés.
- Vous pouvez essayer de déplacer délicatement les chapeaux des brûleurs latéralement pour vous assurer qu'ils sont placés correctement sur leur base. Lorsqu'ils sont bien placés, les chapeaux des brûleurs sont droits sur la base et couvrent complètement la base du brûleur en forme d'étoile lorsque vous les regardez d'en haut, comme sur la *Figure 13*.

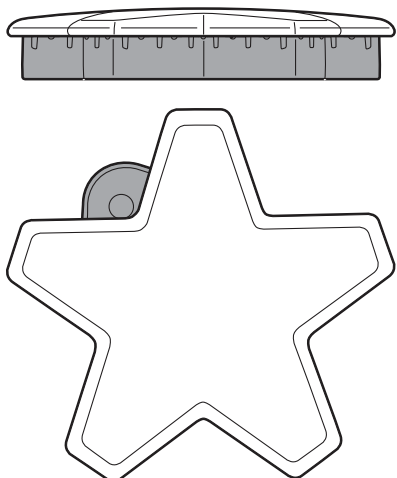


Figure 13 : Chapeau de brûleur correctement placé

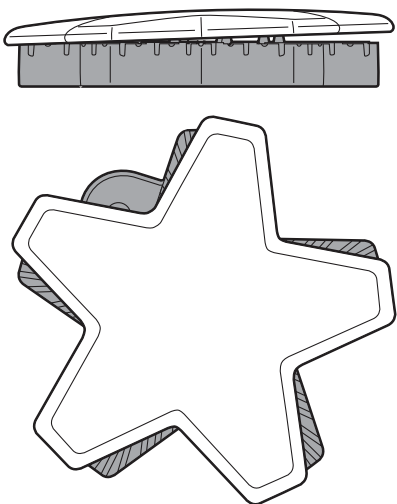


Figure 14 : Chapeau de brûleur incorrectement placé

Positionnement des chapeaux des brûleurs

Pour assurer un fonctionnement approprié, les chapeaux des brûleurs STAR doivent être placés adéquatement sur leur base. Si le chapeau n'est pas placé adéquatement, l'un ou l'autre des problèmes suivants pourrait survenir :

- Les flammes du brûleur sont trop hautes.
- Des flammes excessives jaillissent du brûleur.
- Le brûleur ne s'allume pas.
- Les flammes du brûleur sont inégales.
- Le brûleur émet des odeurs.



AVERTISSEMENT :

Pour prévenir toute brûlure, éviter de toucher les chapeaux et les grilles des brûleurs lorsqu'ils sont chauds. Éteignez la table de cuisson et laissez les brûleurs refroidir.

Allumage électronique unique

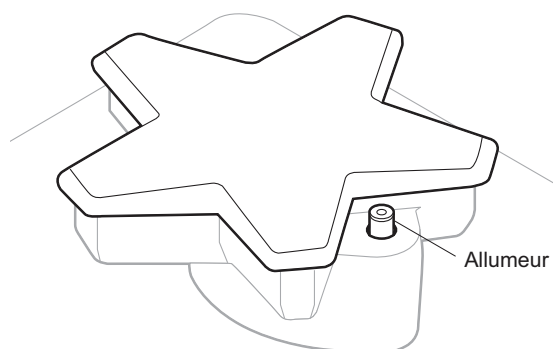


Figure 15 : Allumeur

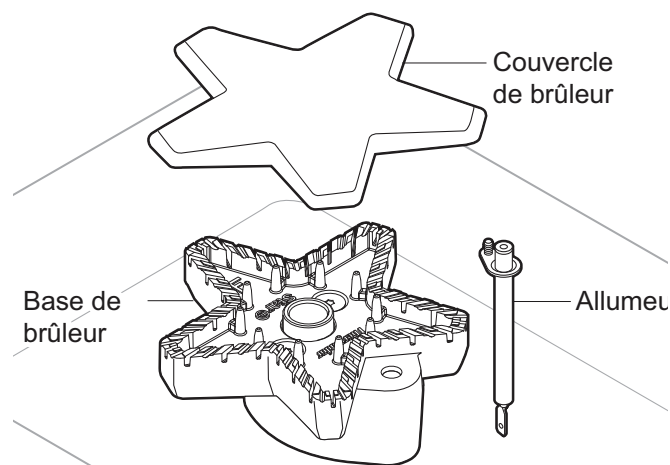


Figure 16 : Éléments des brûleurs STAR

Chaque brûleur STAR comporte son propre allumeur électronique qui produit des étincelles lorsque le bouton est activé. Les brûleurs doivent s'allumer en 4 secondes ou moins. Si le brûleur ne s'allume pas, assurez-vous que le chapeau est correctement posé sur sa base (*Figure 13*).



ATTENTION :

Ne touchez pas les brûleurs pendant que les allumeurs produisent des étincelles.



AVERTISSEMENT :

Pour éviter que des produits ne s'enflamment ou créent des vapeurs nocives, n'utilisez pas la surface de cuisson si les chapeaux et les grilles des brûleurs ne sont pas tous placés.

Si un brûleur ne s'allume pas, consultez la section « *Avant D'appeler le Service Technique* ».

Rallumage automatique

Si un ou plusieurs brûleurs s'éteignent, l'allumeur électronique produit automatiquement des étincelles pour rallumer la flamme. Ne touchez pas aux brûleurs pendant que les allumeurs produisent des étincelles.

Sur les cuisinières alimentées par du gaz propane, il est possible que vous entendiez un petit bruit sec au niveau des orifices du brûleur STAR quelques secondes après l'avoir éteint.

Panne de courant

- En cas de panne de courant, seuls les brûleurs standards peuvent être allumés manuellement. Chacun d'eux doit être allumé individuellement.
- Si une panne de courant survient pendant que vous utilisez la cuisinière, tournez tous les boutons à la position OFF.
- Vous pouvez allumer les brûleurs STAR^{mc} standards en approchant une allumette enflammée près des orifices et en tournant le bouton à la position HI. Attendez que la flamme soit allumée tout autour du chapeau du brûleur avant de la régler à la hauteur voulue.
- N'essayez pas d'allumer les deux brûleurs XLO^{mc} de gauche et les deux brûleurs XLO de droite pendant une panne de courant. Ces brûleurs sont munis de la fonction ExtraLow^{mc} et ne peuvent être allumés manuellement.
- Si un brûleur ExtraLow est allumé pendant une panne de courant, il ne peut être remis en circuit tant que le bouton n'est pas réglé à la position OFF.
- La plaque chauffante et le gril ne peuvent être utilisés pendant une panne de courant.

- Si vous détectez une odeur de gaz, consultez les instructions de sécurité de la *page 1*.



AVERTISSEMENT :

En cas de panne de courant, mettez tous les boutons à la position OFF. Seuls les brûleurs standards STAR peuvent être allumés manuellement.

Hauteur de la flamme

- La hauteur correcte de la flamme dépend : (1) de la taille et du matériau du récipient utilisé; (2) des aliments à cuire; et (3) de la quantité de liquide dans le récipient.
- La flamme ne doit pas dépasser les côtés de la base du récipient.
- Utilisez une flamme basse ou moyenne pour les récipients dont le matériau conduit lentement la chaleur, comme l'acier émaillé ou la vitrocéramique.

Description de la flamme

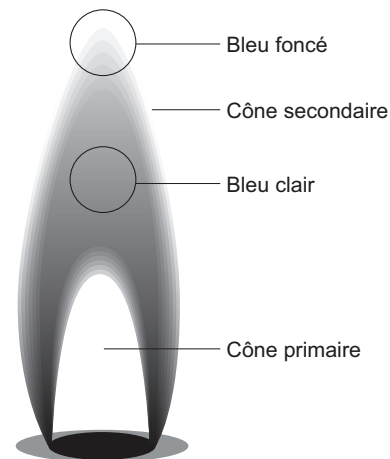


Figure 17 : Couleurs de la flamme

- La flamme des brûleurs doit être bleue sans pointe jaune. Elle devient parfois partiellement orange : cela indique que des impuretés flottant dans l'air sont en train de se consumer. Elles disparaîtront avec l'usage.
- Avec le gaz propane, il est normal qu'il y ait un peu de jaune dans le cône primaire.
- La flamme doit brûler tout autour du chapeau du brûleur. Si ce n'est pas le cas, assurez-vous que le chapeau est bien posé sur la base et que les orifices ne sont pas bouchés.
- La flamme doit être stable, ne pas voltiger ni faire de bruit excessif.

Récipients recommandés



MISE EN GARDE :

Pour éviter tout risque de dommages sérieux à l'appareil ou à un récipient, observez les consignes suivantes:

- Les grands récipients, les plaques à biscuits, etc. ne doivent pas être utilisés sur la surface de cuisson.
- Placez les grandes casseroles de façon décalée lorsque vous utilisez la surface de cuisson.

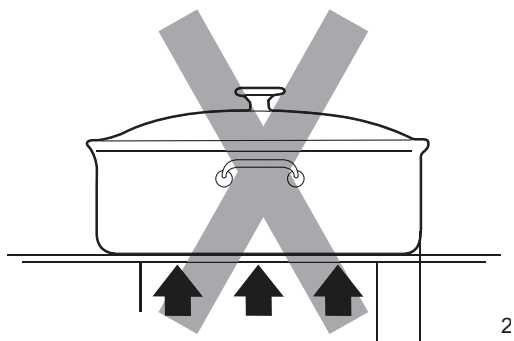


Figure 18 : Diamètre de la base

- Choisissez une casserole dont la base correspond au diamètre de la flamme. La flamme doit être égale ou légèrement plus petite que la base du récipient. Des récipients surdimensionnés ou sous-dimensionnés nuisent aux résultats de la cuisson. Une base d'un diamètre de 5½ po (14 cm) est généralement la plus petite taille conseillée.
- Évitez d'utiliser un réglage de flamme intense lors de l'utilisation d'un poêlon plus grand que la grille ou qui occupe plus que l'espace d'un seul brûleur, comme une plaque, pour de longues périodes. Cela peut générer une mauvaise combustion et des vapeurs nocives.



Figure 19 : Récipient stable

- L'assise du récipient est un facteur important de stabilité et d'uniformité de la cuisson. La poignée ne doit pas être plus lourde que le récipient, car celui-ci pourrait pencher sur un côté. Le récipient doit reposer bien à plat sur la grille sans se balancer ni être instable.

- Les aliments enveloppés dans du papier aluminium ne doivent pas être placés directement sur la grille du brûleur, car l'aluminium peut fondre pendant la cuisson.
- Ne laissez pas du plastique, du papier ou du tissu entrer en contact avec une grille de brûleur chaude. Ils pourraient fondre ou s'enflammer.
- Ne laissez jamais une casserole cuire à sec. Vous pourriez endommager la casserole et la surface de cuisson.
- Des récipients de qualité professionnelle à poignée métallique sont recommandés, car les poignées en plastique risquent de fondre ou de se déformer si la flamme déborde du récipient. Des récipients de qualité professionnelle sont en vente dans les magasins de fournitures pour restaurant et dans les boutiques gastronomiques. Tous les récipients utilisés doivent posséder les caractéristiques suivantes : bonne conductivité de la chaleur, bonne assise, dimensions adéquates du diamètre de la base, base lourde et fond plat, et couvercle bien adapté.
- Pour de meilleurs résultats de cuisson, la flamme ne doit pas déborder du fond de la casserole.
- L'aluminium et le cuivre sont des matériaux qui conduisent la chaleur rapidement et uniformément. Le fond des récipients est souvent fabriqué avec ces métaux. Ils peuvent également être insérés entre des couches d'acier inoxydable.

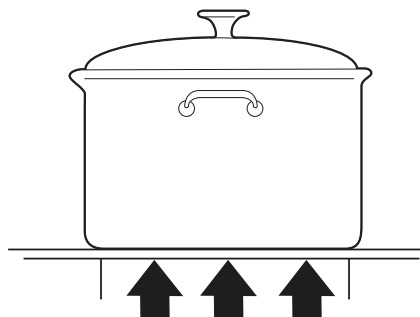


Figure 20 : Récipient à fond plat

- Un fond plat et lourd est plus stable lorsque chauffé. Les casseroles déformées, légères et bosselées ne permettent pas une cuisson uniforme. Chauffez et refroidissez les casseroles graduellement pour éviter les changements soudains de température, qui peuvent déformer les casseroles. Ne mettez pas d'eau froide dans une casserole chaude.

- Un couvercle adapté au diamètre d'un récipient raccourcit le temps de cuisson et permet l'utilisation de réglages plus bas.

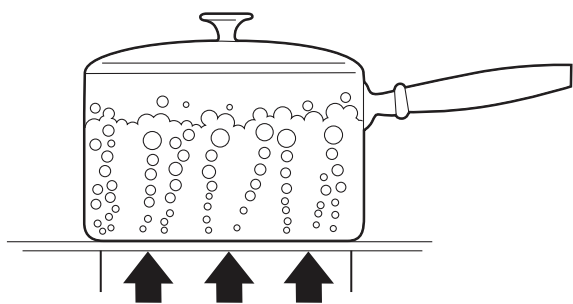


Figure 21 : Récipient à fond plat

Récipients pour spécialités

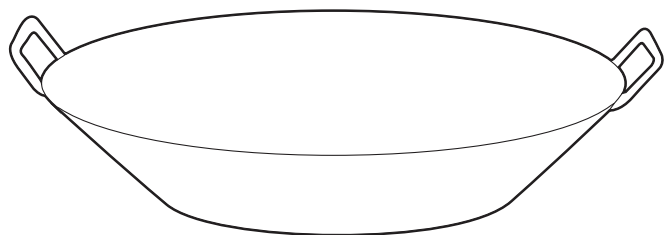


Figure 22 : Wok à fond plat

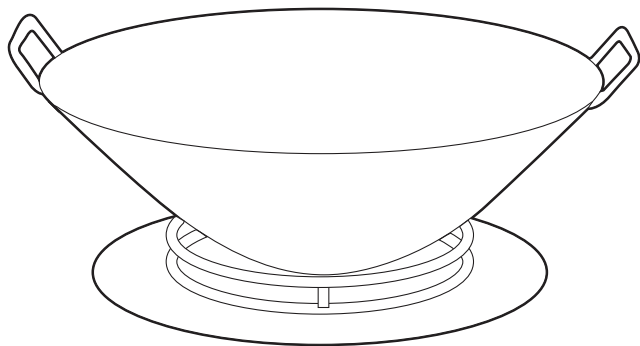


Figure 23 : Wok à fond rond dans un anneau de support

Woks — Les woks à fond plat ou rond avec un anneau de support peuvent être utilisés sur tous les modèles. Un anneau de support doit être utilisé avec les woks à fond rond. Le wok et l'anneau à wok en fonte revêtu d'une couche de porcelaine sont vendus séparément (PWOKRINGHC).

Cocottes et marmites — choisissez une base dont le diamètre dépasse au maximum de 2 po (51 mm) de la grille.

Bain-marie de dimensions standards — 21 à 22 pintes (19,95 à 20,9 litres) avec une base de 11-12 po (279 à 305 mm) et une hauteur de 9 à 11 po (229 à 279 mm).

Cocotte-Minute de dimensions standards — 8 à 22 pintes (7,6 à 20,9 litres) avec une base de 8 à 11 po (20,3 à 27,9 cm) et une hauteur de 6,5 à 12 po (165 à 305 mm).

Conseils d'utilisation:

- Il est préférable d'utiliser un récipient à fond plat qu'un récipient à fond concave, convexe ou ondulé.
- Si vous utilisez deux cocottes en même temps, placez-les sur des brûleurs décalés. Ne bloquez pas la circulation d'air autour des brûleurs. La flamme a besoin d'une certaine quantité d'air pour bien brûler.
- Mettez un couvercle sur la cocotte lorsque vous portez son contenu à ébullition.
- Quand le contenu bout au réglage HI, baissez la flamme le plus possible pour maintenir à ébullition ou maintenir la pression.
- La cuisson à la cocotte produit de grandes quantités de vapeur. Faites attention pour ne pas vous brûler.

Conseils de cuisson

Consultez le tableau des *page 19* pour vous guider. Les réglages à utiliser varient selon l'ustensile choisi et la température initiale des aliments.

Dans le tableau, le « Réglage final » est séparé pour les brûleurs standards et les brûleurs ExtraLow^{mc}. Selon le cas, ce réglage sera identique ou différent.

Le réglage ExtraLow des brûleurs STAR^{mc} peut être un réglage de cuisson ou de maintien de température.

Augmentez ou diminuez la flamme progressivement. Laissez le temps au récipient et aux aliments de réagir au nouveau réglage.

Conseils de cuisson – Brûleurs de la table de cuisson

| Aliments | Réglage initial | Réglage final – brûleurs standards | Réglage final – brûleurs ExtraLow ^{mc} (XLO) |
|---|--|--|---|
| BOISSONS Cacao | MED – Chauffer le lait, couvrir | SIM – Finir de chauffer | XLO – Maintenir au chaud, couvrir* |
| PAIN Pain doré Crêpes Sandwiches grillés | MED – Préchauffer le poêlon | SIM à MED – cuire | Identique aux brûleurs standards |
| BEURRE À fondre | SIM – pour commencer à faire fondre | XLO - Pour maintenir la température* | Laisser fondre pendant 5 à 10 minutes |
| CÉRÉALES Semoule de maïs, gruau, avoine | HI – Couvrir, porter l'eau à ébullition, ajouter les céréales | SIM à MED – terminer la cuisson selon les instructions sur l'emballage. | XLO – Pour maintenir la température, couvrir* |
| CHOCOLAT À fondre | XLO – peut être remué pour faire fondre plus vite | Utiliser XLO | XLO – Laisser fondre pendant 10 à 15 minutes. XLO – Pour maintenir la température* |
| DESSERTS Bonbons | SIM à MED – cuire selon la recette | SIM à MED | Identique aux brûleurs standards |
| Pouding et mélange pour garniture à tarte | SIM à MED SIM – suivre les indications sur l'emballage | SIM | Identique aux brûleurs standards |
| Pudding | SIM à MED SIM – Faire bouillir le lait | SIM | Identique aux brûleurs standards |
| OEUFS À la coque | MED HI – couvrir les œufs avec de l'eau, couvrir, porter l'eau à ébullition | Utiliser XLO | XLO – 3 à 4 minutes pour œufs mollets; 15 à 20 minutes pour œufs durs |
| Frits, brouillés | SIM à MED – Faire fondre le beurre, ajouter les œufs | SIM – pour terminer la cuisson | Identique aux brûleurs standards |
| Pochés | HI – Porter à ébullition, ajouter les œufs | SIM à MED – pour terminer la cuisson | Identique aux brûleurs standards |
| VIANDE, POISSON, VOLAILLES Bacon, Saucisses, galettes | HI – Jusqu'à ce que la viande commence à grésiller | SIM à MED – pour terminer la cuisson | Identique aux brûleurs standards |
| Braiser : steak suisse, rôti à la cocotte, ragoût | MED HI – Faire fondre la graisse, faire revenir à MED HI à HI , ajouter du liquide, couvrir | | XLO Laisser mijoter jusqu'à ce que la viande soit tendre |
| Grillade rapide au poêlon; steaks pour déjeuner | MED HI – préchauffer le poêlon | MED à MED HI – frire rapidement au poêlon | Identique aux brûleurs standards |
| Friture : poulet | MED HI – Faire chauffer l'huile puis faire dorer à MED | SIM – couvrir pour terminer la cuisson | Identique aux brûleurs standards |
| Grande friture : crevettes | MED HI – Faire chauffer l'huile | MED à MED HI – pour maintenir la température | Identique aux brûleurs standards |

| Aliments | Réglage initial | Réglage final – brûleurs standards | Réglage final – brûleurs ExtraLow ^{mc} (XLO) |
|--|---|---|---|
| Grillade au poêlon : côtelettes d'agneau, steaks minces, hamburgers, saucisses en chapelet | MED HI – Préchauffer le poêlon | MED – pour brunir la viande | Identique aux brûleurs standards XLO – pour maintenir |
| Pocher : poulet, entier ou morceaux, poisson | MED HI – Couvrir, porter à ébullition | | Pour terminer la cuisson |
| Faire mijoter : poulet à l'étouffée, corned-beef, langue, etc. | HI – Couvrir, porter à ébullition | | Laisser mijoter |
| PÂTES Macaronis, nouilles, spaghettis | HI – Porter l'eau à ébullition, ajouter les pâtes | MED à HI – pour maintenir à ébullition | Identique aux brûleurs standards |
| COCOTTE-MINUTE Viande | MED HI à HI – faire monter la pression | SIM à MED – maintenir la pression | Identique aux brûleurs standards |
| Légumes | HI – faire monter la pression | MED SIM à MED – maintenir la pression | Identique aux brûleurs standards |
| RIZ | HI – Couvrir, porter l'eau et le riz à ébullition. | Réduire la chaleur à SIM . Couvrir et faire cuire jusqu'à ce que l'eau soit absorbée | Faire cuire selon les instructions du sachet XLO – Pour maintenir la chaleur, couvrir |
| SAUCES Sauce tomate | MED HI – cuire la viande/les légumes selon la recette | SIM pour faire mijoter | XLO – laisser mijoter sans couvercle pour que la sauce épaississe |
| Sauce blanche, à la crème, béarnaise | MED – Faire fondre la graisse, suivre la recette | SIM – pour terminer la cuisson | XLO – Pour maintenir la chaleur, couvrir* |
| Hollandaise | XLO | | XLO – Pour maintenir la chaleur, réglage le plus bas |
| SOUPES, BOUILLONS | HI – Couvrir, porter à ébullition | SIM pour faire mijoter | Mijoter à XLO – Pour maintenir la chaleur, couvrir* |
| LÉGUMES Frais | HI – Couvrir, porter l'eau et les légumes à ébullition | SIM à MED – faire cuire 10 minutes ou jusqu'à ce qu'ils soient tendres | XLO – pour maintenir la chaleur, couvrir |
| Congelés | HI – Couvrir, porter l'eau et les légumes à ébullition | SIM à MED – faire cuire selon les instructions du paquet | Identique aux brûleurs standards |
| Grande friture | HI – Faire chauffer l'huile | MED à MED HI – pour conserver la température de friture | Identique aux brûleurs standards |
| Sautés | MED HI – Faire chauffer l'huile ou faire fondre le beurre, ajouter les légumes | SIM à MED – laisser cuire jusqu'au point de cuisson désiré | Identique aux brûleurs standards |
| Revenus à la poêle | HI – Faire chauffer l'huile, ajouter les légumes | HI à HI – pour terminer la cuisson | Identique aux brûleurs standards |

*Il est recommandé de remuer ces aliments de temps en temps.

Utilisation de la plaque chauffante électrique

(disponible avec certains modèles)

Description

La plaque chauffante intégrée est fabriquée en aluminium de qualité commerciale enduit d'un revêtement antiadhésif en titane, ce qui donne une surface facile à nettoyer où la chaleur se répand de façon uniforme.

Une planche à découper en érable, un couvercle en acier inoxydable et un gril avec revêtement en aluminium sont disponibles comme accessoires et peuvent être achetés séparément. La planche à découper en érable et le couvercle en acier inoxydable sont conçus pour s'ajuster à la surface lorsque la plaque n'est pas utilisée. Le gril avec revêtement en aluminium est conçu pour remplacer la plaque chauffante. Consultez les instructions de la plaque chauffante pour obtenir de plus amples détails.

La planche à découper et le couvercle doivent être enlevés avant d'utiliser la plaque chauffante.



AVERTISSEMENT :

L'élément de la plaque chauffante reste chaud après utilisation. Prévoyez suffisamment de temps pour que tous ses composants refroidissent avant de les nettoyer.



MISE EN GARDE :

Pour éviter tout risque de blessure, n'utilisez **JAMAIS** la plaque chauffante sans sa plaque. N'utilisez **JAMAIS** la plaque chauffante d'une manière non indiquée dans le guide d'entretien et de maintenance.

N'utilisez jamais la plaque d'une façon autre que ce qui est indiqué dans le guide d'utilisation et d'entretien.

Le plateau (ou le gril) doit toujours être en place lors de l'utilisation de la plaque chauffante.

- La tension d'alimentation nominale de l'élément de la plaque chauffante est de 120 VAC, 1630 watts.
- La plaque chauffante est ajustée électroniquement aux températures indiquées sur les boutons, de 150°F à 500°F (66°C à 260°C).
- Il n'y a pas de réglages fixes sur les boutons.
- Appuyez et tournez les boutons dans le sens horaire pour obtenir le réglage désiré.

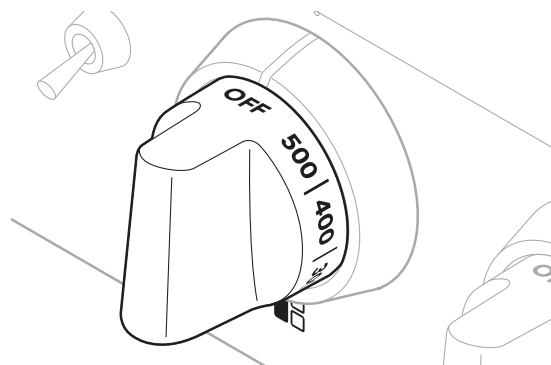


Figure 24 : Bouton de commande de la plaque chauffante

Préparation de la plaque

Assurez-vous que la plaque chauffante est bien ajustée en versant deux cuillerées d'eau à l'arrière de la plaque. L'eau devrait lentement couler vers les collecteurs de graisse. Autrement, ajustez les deux vis situées sous la plaque, à l'arrière de celle-ci. Commencez par dévisser les vis d'un demi-tour. Les ajustements subséquents devraient se faire par quart de tour jusqu'à ce que l'eau coule dans les collecteurs de graisse.

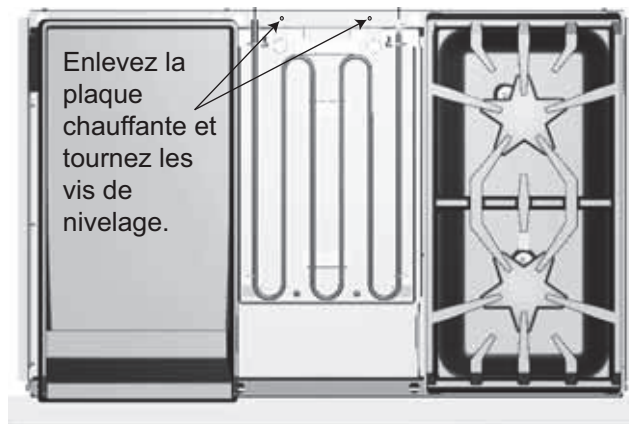


Figure 25 : Vis de nivelage de la plaque chauffante

Avant d'être utilisée, la plaque chauffante doit être lavée à l'eau chaude savonneuse, puis rincée à l'eau claire. La plaque peut être utilisée sans beurre, margarine ou huile. Toutefois, une petite quantité peut être utilisée pour donner du goût aux aliments.

Tous les types d'ustensiles peuvent être utilisés sur la plaque. Prenez garde de ne pas endommager la surface avec les ustensiles. Ne coupez pas directement d'aliments sur la plaque chauffante.

AVIS:

Le rendement de la plaque chauffante ou du gril peut varier si la circulation d'air près de l'appareil est trop élevée. Une circulation d'air excessive pourrait provenir d'un ventilateur de plafond ou d'un appareil de climatisation soufflant sur la surface de cuisson. Cela pourrait prolonger le temps d'échauffement ou faire en sorte que la température de la plaque chauffante ne corresponde pas à ce que le réglage des boutons de commande indique.

Conseils de cuisson – Plaque chauffante

| ALIMENT | RÉGLAGE |
|--|----------------------------------|
| Œufs | 325°F – 350°F (160°C – 180°C) |
| Bacon, saucisses à déjeuner | 450°F – 475°F (230°C – 245°C) |
| Sandwichs grillés | 375°F – 400°F (190°C – 200°C) |
| Poitrines de poulet désossées | 425°F – 450°F (220°C – 230°C) |
| Côtelettes de porc désossées de 1 po (25,4 mm) d'épaisseur | 425°F – 450°F (220°C – 230°C) |
| Steaks de 1 po (25,4 mm) d'épaisseur | 450°F – 475°F (230°C – 245°C) |
| Boulettes de bœuf haché de 6 onces | 450°F – 475°F (230°C – 245°C) |
| Boulettes de dinde hachée, 6 onces | 450°F – 475°F (230°C – 245°C) |
| Hot Dogs | 350°F – 375°F (180°C – 190°C) |
| Tranches de jambon de 1/2 po (12,7 mm) d'épaisseur | 350°F – 375°F (180°C – 190°C) |
| Crêpes, pain doré | 400°F – 425°F (200°C – 220°C) |
| Pommes de terre, pommes de terre rissolées | 400°F – 425°F (200°C – 220°C) |

* Pour garantir une cuisson uniforme, assurez-vous que l'épaisseur des aliments est plus ou moins égale partout.

Plateau à graisse de la plaque chauffante

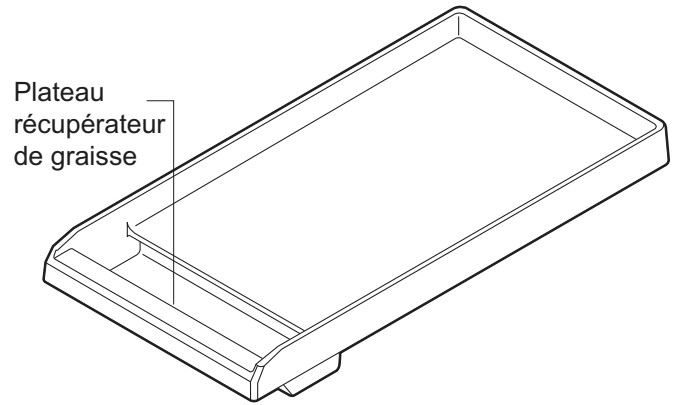


Figure 26 : Plateau à graisse

- Nettoyez le plateau à graisse après chaque utilisation. Lorsque vous le retirez en l'inclinant, faites attention pour ne pas que son contenu se déverse.
- Le plateau de la plaque chauffante et son plateau à graisse sont lavables au lave-vaisselle.
- Lorsqu'elle a refroidi, versez la graisse dans un contenant résistant à la graisse avant de la jeter.

Cuisson sur la plaque chauffante

1. Tournez le bouton à la température de cuisson appropriée pour préchauffer la plaque chauffante.
2. Préchauffez-la jusqu'à ce que le témoin de la plaque s'éteigne.
3. Ajoutez du beurre, de la margarine, de l'huile ou de la graisse végétale, si désiré.

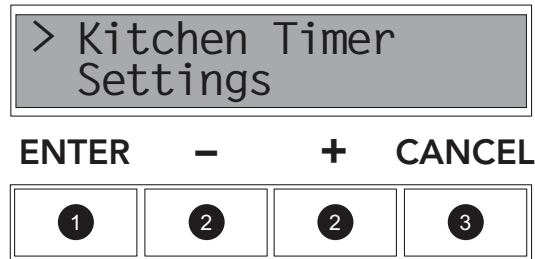
NOTE:

Une hotte dûment installée n'est pas considérée comme une source de circulation d'air excessive.

Utilisation du Four

Fonctions de cuisson supplémentaires

Commandes pour le réglage du four



1. La touche **ENTER** confirme la sélection.
2. La touche (-) augmente le temps ou la température, et la touche (+) les diminue. Ces touches servent également à choisir l'une des fonctions du menu : minuterie, minuterie du four, décalage de température et mode sabbat.
3. La touche **CANCEL** annule toutes les fonctions choisies.

Figure 27 : Commandes du four

Minuterie (Kitchen Timer)

La Minuterie peut être réglée jusqu'à 12 heures. Elle peut être utilisée même si la cuisinière est en marche et est indépendante de toutes les autres fonctions.

Minuterie de four (Cook Timer)

La Minuterie du four sert à éteindre mécaniquement le four lorsque le temps de cuisson désiré est complété. La Minuterie du four n'est disponible que pour les fonctions de cuisson au four, de cuisson par convection et de rôtissage. Elle ne peut fonctionner avec les fonctions de grilloir ou d'autonettoyage. La Minuterie du four peut être activée à tout moment durant le cycle de cuisson.

Pour régler la minuterie:

1. Appuyez sur ENTER.
2. Utilisez les touches « + » et « - » pour choisir la MINUTERIE ou la MINUTERIE DU FOUR.
3. Appuyez sur ENTER.
4. Utilisez les touches « + » et « - » pour choisir le temps désiré.
5. Un bip est émis lorsque le temps s'est écoulé. Appuyez sur CANCEL pour éteindre le bip et la minuterie.

Note :

- La Minuterie du four ne peut être utilisée lors de l'utilisation d'une sonde thermique.
- Le réglage maximal de la Minuterie du four est de 12 heures.

Sonde Thermique (Probe)

La sonde thermique vous permet de mieux contrôler la façon dont vos aliments sont cuits en annulant automatiquement le mode de cuisson choisi lorsque la température désirée d'un plat, déterminée par l'utilisateur, est atteinte. La sonde donne la température actuelle de la viande à mesure qu'elle cuit.

Programmation de la sonde thermique

1. Dans le four principal, ou dans le petit four sur certains modèles, localiser de la sonde (Figure 28).

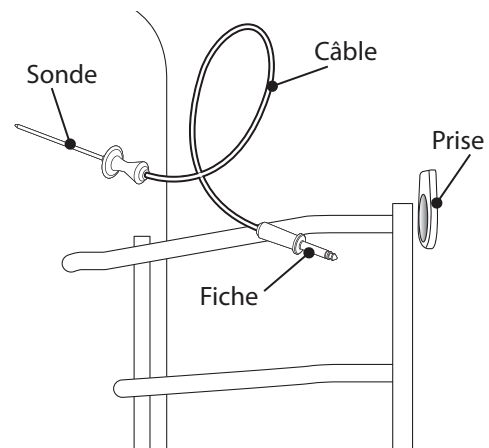


Figure 28 : Sonde thermique

2. Insérez le bout de la fiche dans la prise.
 - L'écran de sélection de température de la sonde (PROBE) n'apparaît que lorsque la fiche de la sonde est insérée dans la prise.
 - L'écran de commande affiche automatiquement le mot PROBE à une température par défaut de 120°F (49°C).
3. Insérez la pointe de la sonde dans la viande.
 - Pour éviter d'endommager la sonde, assurez-vous que la viande est totalement dégelée avant de l'y insérer.
 - Insérez la sonde jusqu'à ce que sa pointe repose au centre de la portion la plus épaisse et la plus riche de la viande. Assurez-vous que la sonde ne touche pas à un os, à du gras ou à du cartilage.

- La sonde ne doit pas toucher le plat de cuisson ou des parties du four, car cela affectera l'exactitude des résultats.
4. Fermez la porte du four.
 5. Appuyez sur les touches « + » et « - » pour diminuer ou augmenter la température interne désirée à atteindre.
 6. Choisissez le *mode de cuisson* et la *température du four* à l'aide de boutons du tableau de commande.
 - La fonction de la sonde n'est disponible qu'avec les modes *cuisson au four*, *cuisson par convection* et *rôtissage*.
 - La sonde n'est pas disponible lors que la minuterie du four est réglée.
 - La température de la sonde peut osciller entre 120°F (49°C) et 200°F (93°C).
 7. Lorsque la température réelle de la sonde atteint le réglage de température désiré, le mode de cuisson se termine et le bip de la minuterie sonne pour indiquer que le processus de cuisson est terminé.

| Températures de cuisson internes minimums | |
|--|--------------|
| Les températures de cuisson internes recommandées par le <i>U.S. Department of Agriculture Food Safety and Inspection Service</i> , pour la consommation sécuritaire, sont les suivantes : | |
| Porc, agneau, veau, bœuf hachée frais | 160°F (72°C) |
| Bœuf, veau, rôtis d'agneau, steaks, côtelettes | |
| Mi-saignant | 145°F (63°C) |
| À point | 160°F (72°C) |
| Bien cuit | 170°F (77°C) |
| Rôtis de porc frais, steaks, côtelettes | |
| À point | 160°F (72°C) |
| Bien cuit | 170°F (77°C) |
| Jambon | |
| Cuire avant consommation | 160°F (72°C) |
| Tout à fait cuit, réchauffé | 140°F (60°C) |
| Volaille | |
| Dinde, poulet hachés | 165°F (74°C) |
| Dinde, poulet entiers | 180°F (82°C) |
| Poitrines, rôtis | 170°F (77°C) |
| Cuisses et ailes | 180°F (82°C) |
| Farces (cuite à part ou simultanément) | 165°F (74°C) |
| Plats avec œufs, plats en cocotte | 160°F (72°C) |
| Restes de table | 165°F (74°C) |

Soins et utilisation de la sonde

- Pour éviter d'endommager la sonde, ne tirez **PAS** sur le câble lorsqu'il est temps de la retirer de l'aliment cuit.
- N'utilisez **PAS** de pinces ou autres instruments pour serrer la sonde lorsqu'il faut la retirer ou pour l'enfoncer dans l'aliment.
- Ne lavez **PAS** la sonde au lave-vaisselle. Lavez-la plutôt à l'eau chaude savonneuse.
- Pour prévenir les brûlures, attendez que le four soit refroidi avant de débrancher la sonde.
- Ne rangez **PAS** la sonde dans le four.

Réglage précis du four (décalage de température)

La fonction OFFSET se trouve dans le menu SETTINGS > OFFSET. Elle donne à l'utilisateur la possibilité d'ajuster les paramètres de cuisson selon les réglages personnels qu'il désire obtenir en lui permettant de décaler la température du four de +/- 25°F (14°C), à coup de 5°F par rapport à ce qu'indique le tableau de commande. Par exemple, si l'utilisateur juge que la température du four est toujours trop élevée et qu'il souhaite la diminuer de 5°F, il lui suffit d'appuyer sur la touche « - », ou vice-versa pour l'augmenter. Cette fonction est utile si vous trouvez que les aliments sont continuellement trop brunis ou trop pâles à votre goût.

- Le four doit être éteint pour régler un décalage de température.
- La fonction de décalage est disponible à tous les modes, sauf pour l'autonettoyage.
- Par défaut, la température est ajustée à 0°.
- L'appareil continuera d'appliquer la valeur de décalage entrée indéfiniment jusqu'à ce que l'utilisateur choisisse de la modifier ou jusqu'à ce qu'il manque d'électricité. La fonction de décalage de température devra alors être réinitialisée.

Utilisation du Mode Sabbat

Le mode sabbat sert à répondre à l'exigence de ne pas travailler le jour du sabbat. L'utilisateur peut préparer un repas avant le jour de congé puis le laisser à sa fonction de conservation de chaleur jusqu'à ce qu'il soit prêt à manger.

- La lampe du four ne fonctionne pas avec le mode sabbat pour éviter toute action lors de l'ouverture de la porte.
- Les brûleurs au gaz et la plaque chauffante de la surface de cuisson demeurent fonctionnels lors de l'utilisation du mode sabbat.
- Le mode sabbat n'est disponible que lorsque la cuisinière n'utilise pas déjà un autre mode, y compris celui d'autonettoyage.

- Après une panne d'électricité, l'appareil s'allume en mode désactivé. Tous les éléments et lampes resteront désactivés jusqu'à ce que leur bouton de commande soit tourné à la position OFF et que l'appareil soit réinitialisé. Le fait d'ouvrir la porte ne changera rien.
- Vous ne pouvez ajuster la température pendant l'utilisation du mode Sabbat.

Pour régler le mode sabbat:

1. Placez la grille et la nourriture à la position de grille désirée et fermez la porte du four.
2. Utilisez les touches « + » et « - » pour choisir le mode sabbat (SABBATH).
3. Utilisez les touches « + » et « - » pour choisir l'une des trois durées : 26 heures, 50 heures ou 74 heures. Appuyez sur ENTER.
4. Le tableau d'affichage invitera l'utilisateur à ajuster l'appareil à BAKE et TEMP.
5. Lorsque la minuterie atteint « 0:00 », le mode de cuisson prend fin et le tableau d'affichage émet un bip. Le four s'éteint automatiquement lorsque le temps de cuisson déterminé arrive à sa fin.

Fonctions du four

Conseils de cuisson au four

Préchauffage du four

La plupart des durées de cuisson évoquées dans les recettes sont conçues pour un four préchauffé et requièrent du four qu'il ait déjà atteint une certaine température avant de commencer la cuisson. Consultez votre recette pour les recommandations de préchauffage. Le temps de préchauffage dépend du réglage de la température et du nombre de grilles placées dans le four (consultez également la section « *Réglage des fours* »).

Optimisation des résultats

- Réduisez au maximum le temps d'ouverture de la porte.
 - Utilisez la minuterie intégrée.
 - Utilisez la lumière intérieure du four.
- Utilisez le récipient recommandé dans la recette.
- Sortez la ou les lèchefrites du four. Une lèchefrite sans aliments nuira au dorage et à la cuisson.
- Le dorage dépend du type d'ustensile utilisé :
 - Pour obtenir des croûtes tendres et légèrement dorées, utilisez des ustensiles antiadhésifs, anodisés ou en métal brillant.
 - Pour des croûtes croustillantes plus dorées, utilisez des ustensiles métalliques antiadhésifs, anodisés ou noirs étamés ou encore en verre convenant aux fours. Vous pourriez avoir à diminuer la température de cuisson de 25°F (14°C).

Types de plats pour le four

- Plats en métal (avec ou sans revêtement antiadhésif), en verre résistant à la chaleur, en vitrocéramique, en terre cuite ou autres ustensiles allant au four.
- Les plaques de four adaptées ont un petit rebord d'un seul côté. Les tôles épaisses ou celles qui ont plus d'un côté peuvent altérer le temps de cuisson.
- Des plaques commerciales à pâtisserie pleine grandeur (18 po x 26 po – 457 mm x 660 mm) peuvent être utilisées dans les fours de 36 et 48 pouces (914 mm et 1219 mm).

Position des grilles de four

Les positions des grilles de four sont numérotées comme un ascenseur. Le numéro un correspond à la position la plus basse (*Figure 29*).

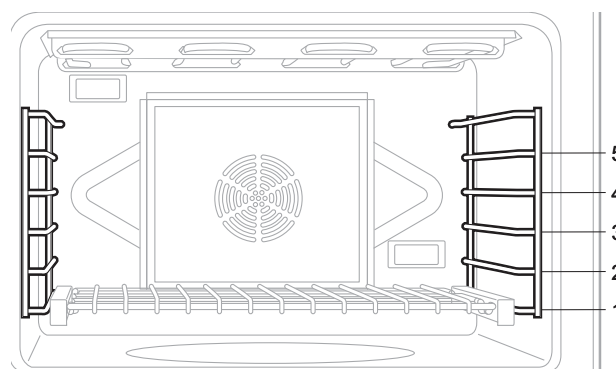


Figure 29 : Four principal au mixte avec positions des grilles

Positionnement

- Laissez au moins 1 po (25,4 mm) d'espace entre les casseroles et les parois du four de façon à ce que la chaleur puisse circuler autour de chaque casserole.
- Décaler les plats de cuisson de façon à ce qu'ils ne soient pas directement l'un au-dessus de l'autre. Laissez 1½ po (38 mm) d'espace au-dessus et en dessous de chaque plat.

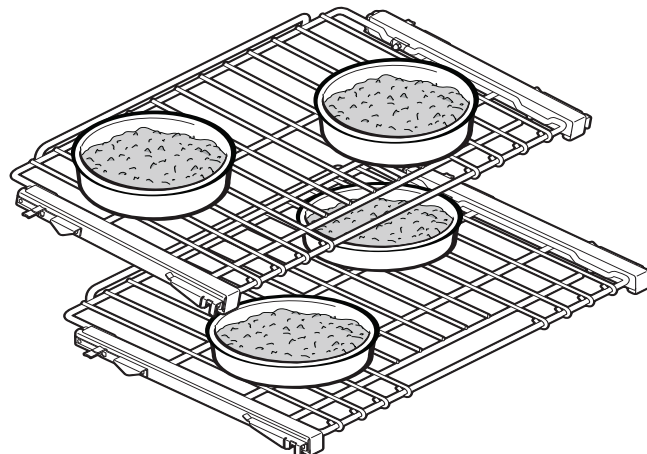


Figure 30 : Plat Positionnement

Four principal

Cuisson avec une grille

- Le mode Bake (cuisson au four) est le plus adapté à la cuisson au four avec une seule grille placée à la position numéro 3; c'est le mode utilisé pour faire cuire la plupart des aliments. Si la pièce à cuire est haute, comme un gâteau des anges, vous pouvez utiliser la position numéro 2. Les tartes cuisent mieux à la position numéro 2, le dessous de la pâte est ainsi bien cuit et le dessus ne roussit pas. Pour faire rôtir de grosses pièces de viandes ou de volaille, comme une côte de bœuf ou une dinde, la position numéro 2 est la plus adaptée.

Cuisson avec deux grilles

- Les plats préparés au four peuvent être cuits en utilisant les niveaux 2 et 4. Vous pouvez aussi utiliser la cuisson à convection.

Cuisson avec trois grilles

- Pour la cuisson avec trois grilles, il serait préférable d'utiliser le mode **Convection Bake** (Cuisson à convection).

Four secondaire (modèles de 48 po)

- La cuisson à la position 3 donne de meilleurs résultats. Lorsque plus d'espace est nécessaire, vous pouvez utiliser la position 2. L'utilisation de la position 2 pour faire cuire des tartes donne une croûte croustillante au fond sans trop cuire le dessus.

NOTE :

Les recommandations relatives à la position des grilles s'appliquent à la cuisson au four; toutefois, si une recette suggère une position de grille différente, vous devriez suivre la recette ou les instructions de l'emballage.

Réglage pour cuisson au four/cuisson par convection/rôtissage

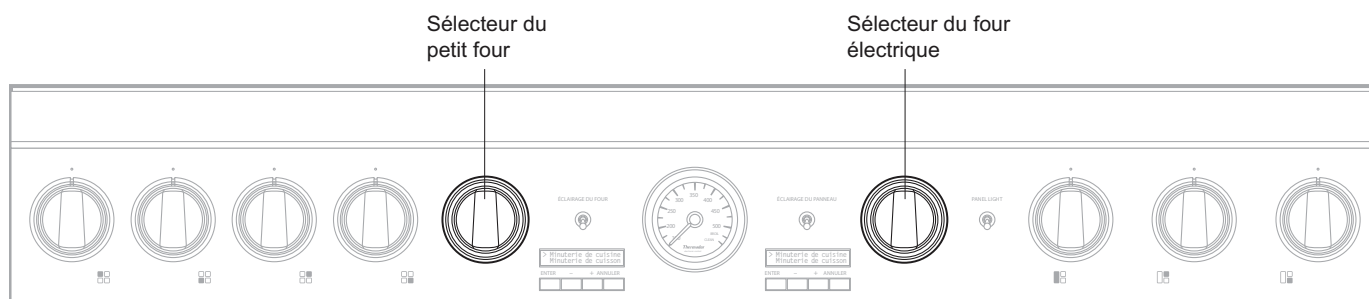


Figure 31 : Tableau de commande du modèle de 48 po

Réglage des fours

- Placez la grille à la position désirée et fermez la porte.
- Réglez l'anneau de sélection de mode (Figure 32) à Bake (cuisson au four), Convection Bake (cuisson par convection) ou Roast (rôtissage).

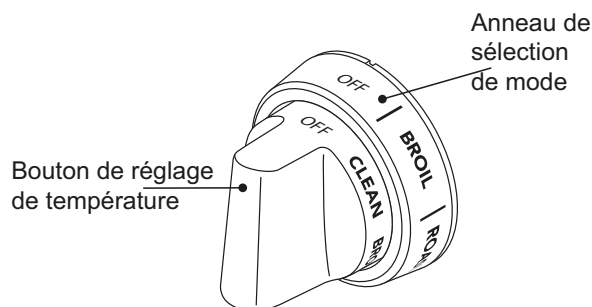


Figure 32 : Anneau de sélection de mode et bouton de réglage de température

- Si vous utilisez le mode cuisson par convection, réglez le bouton de réglage de température 25°F (14°C) sous la température de cuisson conseillée dans la recette. Aucune variation du réglage de température n'est nécessaire si vous faites rôtir de la viande ou de la volaille.
- Une fois que le bouton et l'anneau ont été ajustés au réglage désiré, l'afficheur indiquera « Preheating [...] » avec le mode de cuisson choisi (par exemple, « BAKE ») et la température désirée (« 350°F »).
- L'indicateur de température commencera à bouger vers le réglage de température désirée. L'indicateur de température reflète le réglage de température.
 - L'aiguille de l'indicateur de température se déplacera vers la nouvelle température choisie si le réglage de température est plus haut ou plus bas.
 - La jauge ne sert qu'à des fins de référence.**
 - À mesure que le four se refroidit, l'indicateur de température baissera afin de refléter la température descendante du four.

- Réglez le bouton de réglage de température à la température désirée.

6. Une fois que le four est préchauffé, placez-y les aliments à faire cuire.

NE continuez PAS à utiliser le four si la soufflerie de refroidissement ne se met pas en marche. Appelez un centre de service qualifié pour que le four soit réparé.

Fonctionnement automatique de la soufflerie de refroidissement:

Le ventilateur de refroidissement s'active seulement si le four atteint 300°F (149°C). Lorsque vous éteignez le four, le ventilateur reste en fonction jusqu'à ce que la température redescende à 250°F (121°C).

Recommandations pour le rôtissage

| VIANDE ET VOLAILLE DANS UN PLAT FERMÉ | TEMPÉRATURE DU FOUR | POSITION DE GRILLE | DURÉE DE CUISSON | TEMP. FINALE |
|---------------------------------------|---------------------|--------------------|---------------------------|--------------|
| Bœuf : | | | | |
| Braisé, 3-4 livres | 350°F / 177°C | 1 | 40 à 60 minutes par livre | 170°F / 77°C |
| Pointe de poitrine | 350°F / 177°C | 2 | 50 à 60 minutes par livre | 170°F / 77°C |
| Bloc d'épaule | 350°F / 177°C | 1 | 45 à 55 minutes par livre | 170°F / 77°C |
| Pain de viande | 350°F / 177°C | 3 | 45 à 60 minutes | 170°F / 77°C |
| Volaille : | | | | |
| Poulet, entier | 375°F / 191°C | 2 | 18 à 21 minutes par livre | 180°F / 82°C |
| Poulet, morceaux | 375°F / 191°C | 2 | 60 minutes | 180°F / 82°C |
| Dinde, entière | 325°F / 163°C | 2 | 11 à 15 minutes par livre | 180°F / 82°C |
| Porc : | | | | |
| Épaule | 325°F / 163°C | 1 | 35 à 40 minutes par livre | 170°F / 77°C |
| Demi-jambon fumé | 325°F / 163°C | 1 | 2 à 3 heures | 170°F / 77°C |

Rôtissage

La température de la fonction rôtissage est plus élevée que la cuisson au four traditionnelle. Cette température sert pour rôtir de façon traditionnelle, lorsque de la graisse de cuisson est désirée, ou pour rôtir avec un plat couvert.

Conseils avec le mode rôtissage

- Le mode rôtissage est excellent pour les viandes ou les volailles plus tendres, lorsque la viande est braisée et qu'un plat fermé est utilisé.
- Ajoutez du liquide, comme de l'eau, du jus, du vin, du bouillon ou du fond de sauce pour des plats plus savoureux et plus juteux.
- Vous pouvez utiliser un sac brunisseur avec ce mode.
- Lorsque vous faites rôtir un poulet entier ou une dinde entière, repliez les ailes vers l'arrière et attachez les cuisses avec une ficelle à cuisson.

Convection

Cuisiner par convection

La cuisson à convection présente de nombreux avantages. Dans le système à convection, un ventilateur à l'arrière du four déplace uniformément l'air dans le four. Cet air répand uniformément la chaleur de sorte que les résultats de cuisson demeurent constants, indépendamment de la position de grille utilisée. Des aliments sur plusieurs grilles peuvent être cuits en même temps. Les aliments cuiront uniformément sans que vous ayez à tourner les plats.

Des plats peu profonds peuvent être utilisés pour la cuisson à convection. Ceci permet à l'air de bien circuler autour des aliments. Les plats à rebords élevés ou couverts ne conviennent pas à ce type de cuisson, car l'air chaud ne peut circuler autour des aliments.

Vous pouvez prendre vos plats préférés pour utiliser la cuisson à convection, pourvu que les bords soient peu profonds et que l'air puisse circuler autour des aliments. Tout aliment non couvert brunira uniformément et une croûte riche se formera. La cuisson à convection ne convient pas aux aliments dans des casseroles couvertes (casseroles, rôtis) ou contenant de la crème anglaise.

Rôtissage par convection

Le rôtissage par convection combine la chaleur de l'élément inférieur dissimulé et la chaleur supplémentaire provenant de l'élément et du ventilateur de convection. Le résultat est un extérieur plus croustillant qui scelle le jus intérieur. Cette fonction est parfaite pour faire rôtir des viandes plus tendres dans une casserole à rebords bas non couverte.

- Ne couvrez pas la viande et n'utilisez pas de sac brunisseur.
- Il faut normalement de 10 à 20 % moins de temps pour faire rôtir de gros morceaux de viande. Vérifiez la cuisson plus tôt.

Rôtissage par convection

Le rôtissage par convection combine la chaleur de l'élément inférieur dissimulé et la chaleur supplémentaire provenant de l'élément et du ventilateur de convection. Le résultat est un extérieur plus croustillant qui scelle le jus intérieur. Cette fonction est parfaite pour faire rôtir des viandes plus tendres dans une casserole à rebords bas non couverte.

- Ne couvrez pas la viande et n'utilisez pas de sac brunisseur.
- Il faut normalement de 10 à 20% moins de temps pour faire rôtir de gros morceaux de viande. Vérifiez la cuisson plus tôt.

Cuisson à convection

Vous pouvez économiser du temps en faisant cuire une bonne quantité de biscuits en même temps et de façon uniforme. La durée de cuisson peut être moindre en raison de l'air chaud qui circule. Pour de petits morceaux, comme des biscuits, vérifiez la cuisson deux minutes avant le temps indiqué dans la recette. Pour des articles plus grands, comme des gâteaux, vérifiez cinq à six minutes avant le temps indiqué dans la recette.

La cuisson à convection de la viande et de la volaille donnera des aliments brunis et croustillants à l'extérieur, tendres et juteux à l'intérieur. De grosses pièces de viande ou de volaille peuvent prendre jusqu'à 30 minutes de moins que le temps recommandé dans la recette; par conséquent, assurez-vous qu'elles ne cuisent pas trop. Un thermomètre à viande assurera des résultats plus précis que la technique du nombre de minutes par livres (consultez la section « *Sonde Thermique (Probe)* » à la page 23 ». Plus la pièce de viande ou de volaille est grosse, plus il y a économie de temps.

Conseils de cuisson à convection

Préchauffage du four

Préchauffez le four avant de faire cuire des aliments, sauf pour les grosses pièces de viande ou de volaille. Consultez la recette pour connaître le préchauffage recommandé. La durée de préchauffage dépend du réglage de température et du nombre de grilles dans le four.

Réglage de température

Pour la cuisson à convection, réduisez la température recommandée dans la recette de 25°F (14°C), bien que la température n'ait pas à être réduite lors de la cuisson de viande ou de volaille. Pour rôtir la viande, vérifiez la température interne avant le temps indiqué dans la recette pour éviter de la faire trop cuire.

Cuisson à haute altitude

Pour la cuisson à haute altitude, en mode cuisson ou cuisson à convection, les recettes et les durées de cuisson varient. Pour une information précise, écrivez à Extension Service, Colorado State University, Fort Collins, Colorado 80521. Vous pourriez avoir à payer des frais pour obtenir les bulletins. Précisez le type d'information désiré (ex. : gâteaux, biscuits, pains, etc).

Condensation

Il est normal qu'une certaine quantité d'humidité s'évapore des aliments pendant la cuisson. La quantité dépend du contenu d'humidité de l'aliment. L'humidité se condense sur les surfaces plus froides que l'intérieur du four, comme le panneau de commande.

Position des grilles (voir la Figure 1 à la page 9)

— Cuisson à une grille

- Pour la cuisson avec une grille, de meilleurs résultats sont obtenus en mode cuisson.
- Pour faire rôtir une dinde ou une grosse pièce de viande, la cuisson à convection peut être utilisée. La position de grille 2 est la plus appropriée.

— Cuisson à deux grilles

- Les positions de grille 2 et 4 sont les plus appropriées lors de l'utilisation du mode de cuisson à convection. Les moules à gâteau devraient être décalés sur les grilles 2 et 4. Les plaques à biscuits devraient être placées aux positions 2 et 4, directement l'une sous l'autre.
- Les positions de grille 2 et 4 peuvent être utilisées pour les gâteaux, les biscuits et d'autres aliments pour lesquels il est conseillé d'utiliser deux grilles.
- Pour faire cuire plusieurs casseroles, tartes surgelées ou gâteaux, utilisez les positions de grille 2 et 4.

— Cuisson à trois grilles

- Pour faire cuire plusieurs plaques à biscuits, placez-les aux positions de grille 1, 3 et 5, les unes directement au-dessus des autres afin que l'air puisse bien circuler autour des plaques à biscuits.

— Types de casseroles

- Les casseroles en aluminium offrent les meilleurs résultats de brunissage.
- Les plaques à biscuits à un ou deux côtés donnent les meilleurs résultats. Il est aussi possible d'utiliser des demi-plaques de type commercial en aluminium, mais cela augmente le temps de cuisson.

— Emplacement

- Pour un meilleur brunissage, certains ustensiles, comme les plaques à biscuits, les moules à gâteau roulé et les plats rectangulaires doivent être placés sur la largeur de la grille avec les côtés plus courts à droite et à gauche. Ceci permet à l'air de circuler librement.
- Au moment de faire cuire avec plus d'une grille, les plaques à biscuit ne doivent pas être décalées, contrairement aux moules à gâteau ronds.



ATTENTION :

N'utilisez jamais du papier d'aluminium pour couvrir les grilles ou chemiser le four lorsque vous utilisez le four à n'importe quel mode. Cela peut endommager le four et causer un risque d'incendie si la chaleur ne peut s'échapper.

Séchage d'aliments avec le mode de cuisson à convection

Utilisez le mode de cuisson à convection pour sécher et conserver des fruits et légumes.

Conseils :

- Le temps de cuisson varie en fonction du degré d'humidité et du contenu en sucre des aliments, de la taille des pièces, de la quantité d'aliments à sécher et du taux d'humidité de l'air.
- Faites sécher la plupart des fruits et légumes à 150°F.
- Vérifiez les aliments une fois que le temps de séchage minimum a passé.
- Il vaut mieux utiliser les grilles de séchage (non inclus) pour que l'air puisse circuler autour des aliments. Ne placez pas les aliments directement sur une tôle à biscuits ou une plaque. Les aliments doivent être assez hauts dans le four pour sécher uniformément.
- Vous pouvez utiliser simultanément plusieurs grilles de séchage.
- Pour sécher plusieurs grilles d'aliments en même temps, vous pouvez placer les grilles aux niveaux 2 et 4, ou 1, 3 et 5. Pour une seule grille, utilisez seulement le niveau 3.
- Pour des questions de salubrité alimentaire, il n'est pas recommandé de faire sécher de la viande.
- Consultez un livre de conservation d'aliments, un bureau régional de salubrité alimentaire ou des ouvrages disponibles en bibliothèque pour obtenir de plus amples renseignements.

| Aliment | Préparation | Approx. (heures) | Vérification de la tendreté |
|-------------------------------|--|------------------|--|
| Fruit | | | |
| Pommes | Trempez les morceaux dans ¼ de tasse de jus de citron et 2 tasses d'eau. Tranches d'un quart de pouce (1/4 po). | 8 – 15 | Légèrement flexibles |
| Bananes | Trempez les morceaux dans ¼ de tasse de jus de citron et 2 tasses d'eau. Tranches d'un quart de pouce (1/4 po). | 8 – 15 | Légèrement flexibles |
| Cerises | Nettoyez et séchez avec un linge. Dénoyautez les cerises fraîches. | 7 – 18 | Parcheminées et molles |
| Pelures d'orange | Coupez de fines pelures de la peau des oranges. | 1 – 4 | Sèches et cassantes |
| Tranches d'orange | Tranches d'un quart de pouce (1/4 po). | 9 – 16 | Peau sèche et cassante, fruit légèrement humide. |
| Tranches d'ananas en conserve | Séchez avec un linge. | 8 – 13 | Tranches molles et flexibles. |
| Tranches d'ananas frais | Séchez avec un linge. | 7 – 12 | Tranches molles et flexibles. |
| Fraises | Nettoyez et séchez avec un linge. Coupez des tranches d'un demi-pouce d'épaisseur (1/2 po). Placez-les la peau contre la grille. | 9 – 17 | Sèches et cassantes |
| Légumes | | | |
| Poivrons | Nettoyez et séchez avec un linge. Enlevez la peau. Coupez grossièrement des morceaux d'environ un pouce. | 13 – 17 | Parcheminés, sans humidité à l'intérieur. |
| Champignons | Nettoyez et séchez avec un linge. Coupez de fines tranches de 1/8 de pouce. | 5 – 12 | Durs et parcheminés, secs. |
| Tomates | Nettoyez et séchez avec un linge. Coupez de fines tranches de 1/8 de pouce en prenant soin de bien les évider. | 5 – 12 | Sèches. Couleur de brique rouge. |

Tableau 2: Charte de déshydratation

Recommandations pour la cuisson à convection

| ALIMENTS | DIMENSIONS DU PLAT | RÉGLAGE DE TEMPÉRATURE | TEMPS DE CUISSON TOTAL SUGGÉRÉ |
|---|------------------------------------|--|--------------------------------|
| Biscuits | Plaque à biscuits de 12 po x 15 po | 375°F / 191°C | 8 à 12 minutes |
| Gâteaux fourrés | Moule rond de 8 po ou 9 po | 350°F / 177°C | 25 à 35 minutes |
| Feuilletés | Moule de 9 po x 13 po | 350°F / 177°C | 30 à 40 minutes |
| Gâteaux Bundt™ | 12 moules | 325°F / 163°C | 60 à 75 minutes |
| Carrés au chocolat ou biscuits rectangulaires | Moule de 9 po x 9 po | 325°F / 163°C | 20 à 25 minutes |
| Biscuits | Plaque à biscuits de 12 po x 15 po | 425°F / 218°C ou selon les instructions de l'emballage | 10 à 15 minutes |
| Préparation rapide pour pain | Moule à pain de 8 po x 4 po | 350°F / 177°C | 55 à 70 minutes |
| Muffins | moules à muffins de 12 | 425°F / 218°C | 14 à 19 minutes |
| Tartes aux fruits | Assiette de 9 po de dia. | 425°F / 218°C | 35 à 45 minutes |
| Pavés aux fruits | Moule de 9 po x 9 po | 400°F / 204°C | 25 à 30 minutes |
| Pain à la levure, miches | Moule à pain de 8 po x 4 po | 350°F / 177°C | 25 à 30 minutes |
| Petits pains | Moule de 9 po x 13 po | 375°F / 191°C | 12 à 18 minutes |
| Rouleaux à la cannelle | Moule de 9 po x 13 po | 375°F / 191°C | 25 à 30 minutes |
| Gâteau danois | Plaque à biscuits de 12 po x 15 po | 375°F / 191°C | 20 à 30 minutes |

Garder-au-chaud

Cette fonction conserve la température nécessaire pour garder les plats cuisinés à la température de service. Commencez toujours avec des aliments chauds. N'utilisez PAS ce mode pour réchauffer des aliments froids autres que des craquelins, des croustilles et des céréales sèches. Vous pouvez conserver les plats à température de service avec ce mode. N'utilisez pas le mode WARM pour faire cuire des aliments.

1. Choisissez le mode WARM avec l'anneau de sélection de mode. Ne tournez pas le bouton de réglage de la température du four.
 - Vous pouvez conserver les aliments au chaud dans le plat dans lequel vous l'avez fait cuire ou les transférer dans un plat de service résistant à la chaleur.
 - Vous pouvez utiliser du papier d'aluminium pour couvrir les aliments. Utilisez seulement des plats résistants à la chaleur.

2. Lorsque vous gardez des aliments au chaud, laissez au four le temps de préchauffer avant de placer les aliments dans le four.
 - Les températures de ce mode varient entre 140-150°F (60-66°C).
 - Les aliments doivent être à une température de service (plus de 140°F / 60°C) avant d'être mis au four.
3. Mettez le plat chaud au four. Fermez la porte.
 - N'ouvrez pas inutilement la porte du four, ce qui réduira la température du four.



AVERTISSEMENT :

Salubrité alimentaire – Possibilité d'intoxication alimentaire – N'utilisez pas le mode Garder-au-chaud pour faire cuire des aliments. Ce mode n'est pas assez pour faire cuire des aliments à des températures adéquates.

Apprêt (modèles de 48 po seulement)

La fonction d'apprêt permet de maintenir l'environnement chaud et sans courants d'air nécessaire pour le levage de produits panifiés. La température d'apprêt est ajustée à 100°F (38°C).

Comment ajuster le four secondaire à la fonction d'apprêt

1. Laissez à la pâte le temps de dégeler si elle est gelée.
2. Mettez la pâte dans un plat dans le four et couvrez partiellement.
3. Utilisez n'importe quelle position de grille qui correspond aux dimensions du bol ou du moule. Fermez la porte.
4. Placez le sélecteur de mode à PROOF. Ne touchez pas au bouton de commande de la température du four.

| Grosueur | Temps |
|--------------------------------|-----------------|
| Miches, 1 lb (0.45 kg) | 60 – 75 minutes |
| Petits pains, 0.1 lb (0.05 kg) | 30 – 45 minutes |

La température idéale de levage sera maintenue jusqu'à ce que le sélecteur de mode soit mis hors circuit.

La fermentation de la pâte est terminée lorsqu'elle a doublé de taille.

N'ouvrez pas la porte inutilement pour éviter que la température du four ne diminue, ce qui allongera le temps requis pour le levage. Utilisez plutôt la lumière du four pour voir où en est le levage de la pâte. Le temps de levage peut être réduit lorsque le four principal est utilisé en même temps. Vérifiez l'état du produit panifié pour éviter un levage excessif. Pour obtenir des résultats optimaux, nous vous conseillons, si vous utilisez le four principal durant de longues périodes, de procéder au levage avant d'utiliser le four principal.

Autres utilisations du four

Cuisson au four lente et à basse température

En plus d'offrir des températures idéales pour faire cuire et rôtir, ce four permet de conserver des plats cuisinés au chaud et de réchauffer des plats, grâce à ses réglages à basse température.

Les plats cuisinés chauds peuvent être conservés à la température de service. Réglez le four sur au mode de cuisson au four et utilisez la température indiquée dans le tableau.

Pour de meilleurs résultats, préchauffez le four à la température souhaitée.

Les aliments susceptibles de se dessécher devront être recouverts de papier d'aluminium ou d'un couvercle.



AVERTISSEMENT :

SALUBRITÉ ALIMENTAIRE – Le ministère de l'Agriculture américain vous conseille de NE PAS CONSERVER d'aliments à des températures comprises entre 4°C (40°F) et 60°C (140°F) pendant plus de deux heures. Il n'est pas conseillé de faire cuire des aliments crus à des températures inférieures à 135°C (275°F).



ATTENTION :

Les contenants en plastique et le plastique peuvent fondre s'ils sont en contact direct avec les parois ou la base du four.

Suggestions de température pour conserver la chaleur des aliments

| ALIMENT | TEMPÉRATURE DU FOUR |
|---|----------------------------|
| Bœuf | 150°F (70°C) |
| Bacon | 200° – 225°F (90° – 110°C) |
| Biscuits et muffins (recouverts) | 175° – 200°F (80° – 90°C) |
| Ragoût (recouvert) | 175° – 200°F (80° – 90°C) |
| Poisson et fruits de mer | 175° – 200°F (80° – 90°C) |
| Aliments frits | 200° – 225°F (90 – 110°C) |
| Jus de viande ou sauces à la crème (recouverts) | 175°F (80°C) |
| Rôtis de veau et d'agneau | 175° – 200°F (80° – 90°C) |
| Crêpes et gaufres (recouvertes) | 200° – 225°F (90° – 110°C) |
| Pommes de terre cuites | 200°F (90°C) |
| Purée de pommes de terre (recouverte) | 175°F (80°C) |
| Pâtes et pâtisseries | 175°F (80°C) |
| Pizza (recouverte) | 225°F (110°C) |
| Porc | 175° – 200°F (80° – 90°C) |
| Volaille (recouverte) | 175° – 200°F (80° – 90°C) |
| Légumes (recouverts) | 175°F (80°C) |

Grilloir/Grilloir par convection

Recommandations pour le grilloir

Préchauffage du grilloir

Il est recommandé de préchauffer l'élément du grilloir avant de commencer à cuisiner. Faites préchauffer pendant trois minutes, puis placez le plat dans le four.

Pour obtenir les meilleurs résultats

- Décongelez les aliments avant de les faire griller.
- Assurez-vous que la porte du four est fermée pendant la grillade.
- Ne retournez les aliments qu'une fois, au milieu du temps total de cuisson. Il n'est pas nécessaire de retourner les morceaux très fins (tranches de jambon, filets de poisson, etc). Les tranches de foie doivent être retournées indépendamment de leur épaisseur.
- Utilisez une minuterie. Réglez-la à la durée minimum de vérification de la cuisson.
- Placez les aliments directement sous l'élément du grilloir pour qu'ils soient bien dorés.

Position de la grille

Avant d'allumer le four, placez la grille à la position désirée. Centrez la lèchefrite sous le brûleur du grilloir.

Four principal

- Position de grille 5 – Utilisez cette position pour faire griller les steaks de bœuf, les boulettes de bœuf, les steaks de jambon et les côtes d'agneau d'une épaisseur de 1 po (25,4 mm) ou moins. Utilisez-la également pour faire dorer le dessus des aliments.
- Position de grille 4 – Utilisez cette position pour faire griller des viandes d'une épaisseur de 1-1/8 po (29 mm) ou plus, ou du poisson, de la volaille, des côtes de porc et des steaks de jambon d'une épaisseur de 1 po (25,4 mm) ou plus.
- Position de grille 3 – Utilisez cette position pour faire rôtir des moitiés ou des quarts de poulet.

Four secondaire (modèles de 48 po)

Des aliments peuvent être grillés aux positions de grille 3 ou 4 selon leur type et leur épaisseur. La position 5 peut servir à brunir certains aliments.

Ustensiles

- La lèchefrite de deux pièces en porcelaine émaillée avec une grille est incluse avec la cuisinière. NE recouvrez PAS la grille quadrillée (dessus) avec du papier d'aluminium.
- Utilisez des plats en métal ou en vitrocéramique pour faire gratiner les ragoûts, les plats ou le pain.
- N'utilisez PAS de plats en verre résistant à la chaleur ou en terre cuite. Ce type de plats ne résistera pas à l'intense chaleur du grilloir à gaz.
- La petite lèchefrite de deux pièces en porcelaine est conçue pour être utilisée dans le four secondaire des modèles de 48 pouces.

Pour un steak saignant, faites d'abord cuire le premier côté à 90°F (32°C). Pour un steak à point ou bien cuit, faites cuire le premier côté à 100°F (38°C). Retournez et faites cuire le second côté jusqu'à la température interne voulue.

NOTE:

Il est impossible d'utiliser simultanément le mode BAKE et le grilloir. Quand l'un d'eux est en marche, l'autre ne peut pas être allumé.

Réglage du grilloir/grilloir par convection

Seuls les brûleurs de voûte chauffent au mode BROIL (GRILLOIR). Pour être réussie, une grillade doit être exposée constamment à une chaleur intense.

1. Placez la grille à la position voulue dans le four.
2. Réglez le sélecteur de mode à BROIL.
3. Réglez le sélecteur de température à BROIL.
 - L'indicateur de température indiquera BROIL après cinq minutes.
4. Placez l'aliment dans le four, à la position désirée, comme indiqué ci-dessous.
5. La porte doit être fermée pendant le cycle de grillade.
 - La plaque à fentes permet au jus de cuisson de couler dans la plaque inférieure, à l'abri de la chaleur intense de l'élément de voûte, ce qui minimise les éclaboussures, la production de fumée et les risques d'incendie de graisse.
 - Les modèles de 48 pouces sont vendus avec une lèchefrite de deux pièces en porcelaine, pour une utilisation dans le four secondaire.

Fonctionnement automatique de la soufflerie de refroidissement:

Le ventilateur de refroidissement s'active seulement si le four atteint 300°F (149°C). Lorsque vous éteignez le four, le ventilateur reste en fonction jusqu'à ce que la température redescende à 250°F (121°C).

NE continuez PAS à utiliser le grilloir si la soufflerie de refroidissement ne se met pas en marche. Appelez un centre de service qualifié pour que le four soit réparé.

Recommandations pour l'utilisation du grilloir

Toutes les viandes doivent être placées sur la lèchefrite fournie avec la cuisinière.

| Aliments | No. de Grille | Mode du Four | Réglage de Température | Temps de Cuisson Approximatif | Instructions Particulières et Conseils |
|---|---------------|---|---|-------------------------------|--|
| BOEUF Boulette, ½ po (12,7) mm d'épaisseur | 5 | Grilloir ou grilloir par convection | Grilloir ou grilloir par convection | 15 à 20 minutes | Faire griller jusqu'à la disparition de la teinte rosée au centre. |
| Bifteck de flanc | 4 | Grilloir ou grilloir par convection | Grilloir ou grilloir par convection | 12 à 20 minutes | Le temps dépend du point de cuisson. |
| Bifteck d'ailou | 4 | Grilloir ou grilloir par convection | Grilloir ou grilloir par convection | 12 à 20 minutes | saignant/à point. |
| Rôti de côte | 3 | Rôtissage ou rôtissage par convection | 425°F (218°C) pour roussir 325°F (163°C) pour terminer | 18 à 20 min/lb | Les petits rôtis requièrent plus de temps par livre. Réduire la durée en utilisant la cuisson à convection. |
| PAINS Rôtie, pain à l'ail, etc. | 5 | Grilloir | Grilloir | 1 à 2 minutes | Faites griller jusqu'au brunissage. |
| PORC Rôti de longe | 3 | Rôtissage ou rôtissage par convection | 325°F (163°C) | 20 à 25 min/lb | Laisser cuire jusqu'à l'élimination des jus. |
| VOLAILLE Poitrines de poulet sans os, sans peau | 4 | Grilloir ou grilloir par convection | Grilloir ou grilloir par convection | 20 à 25 minutes | Laisser cuire jusqu'à l'élimination des jus. |
| Cuisses de poulet | 3 | Grilloir ou grilloir par convection | Grilloir ou grilloir par convection | 25 à 30 minutes | Retirer la peau; laisser jusqu'à l'élimination des jus. |
| Demi-poulets | 3 | Grilloir ou grilloir par convection | Grilloir ou grilloir par convection | 30 à 35 minutes | Retourner l'aide d'une pince; laisser cuire jusqu'à l'élimination des jus. |
| Poulet à rôtir | 2 | Rôtissage ou rôtissage par convection | 325°F (163°C) | 20 à 25 min/lb | Ne pas farcir; réduire la durée pendant le gril à convection. |
| Dinde | 2 | Rôtissage ou rôtissage par convection | 325°F (163°C) | 75 à 90 minutes | Ne pas farcir; réduire la durée pendant le gril à convection. |

Entretien et Nettoyage

Autonettoyage du four



AVERTISSEMENT :

- Ne laissez pas d'enfants seuls ou sans surveillance dans un endroit où des électroménagers sont en cours d'utilisation.
- Durant le cycle d'autonettoyage, les surfaces extérieures de l'appareil peuvent devenir plus chaudes que d'habitude. Certaines pièces de l'appareil peuvent être dangereuses pour les enfants et pour les personnes qui ne possèdent pas les connaissances d'un adulte par rapport aux électroménagers ou qui ne réagissent pas comme un adulte devrait le faire dans une situation potentiellement dangereuse. Ces personnes devraient s'éloigner de l'appareil durant l'autonettoyage ou lorsqu'il est en cours d'utilisation.
- L'élimination de saletés durant le processus d'autonettoyage peut favoriser l'émission de petites quantités de produits chimiques ou d'autres substances auxquelles une certaine exposition pourrait être dangereuse. Pour minimiser toute exposition à ces substances, assurez-vous de bien aérer la pièce en ouvrant une fenêtre ou en utilisant un ventilateur ou une hotte.
- Gardez vos oiseaux de compagnie à l'extérieur de la cuisine ou d'autres pièces où la fumée de la cuisine pourrait les atteindre. La fumée qui se dégage de l'appareil durant l'autonettoyage peut être nuisible aux oiseaux.

Le mode d'autonettoyage de votre nouvelle cuisinière comprend une fonction d'autonettoyage pyrolytique. Lorsque vous le mettez en mode CLEAN, le four atteint une température élevée, environ 830°F (454°C), qui consomment toutes les saletés du four.

Lorsque le four est réglé à CLEAN, vous pouvez utiliser les brûleurs standards et la plaque chauffante électrique de la surface de cuisson. Seul un four à la fois peut être utilisé ou en mode d'autonettoyage. Les brûleurs munis de la fonction ExtraLow^{mc} ne peuvent pas être utilisés.

Il est commun de voir de la fumée ou des flammes durant le cycle de nettoyage, selon le contenu et la quantité de saletés qui se trouvent dans le four. Si une flamme persiste, éteignez le four et laissez-le refroidir avant d'ouvrir la porte pour enlever les saletés excessives.

À la fin du cycle de nettoyage, de la cendre grise ou des résidus peuvent se trouver à l'intérieur du four. Il s'agit de dépôts minéraux qui n'ont pas brûlé ou fondu. La quantité de cendre dépend de la mesure dans laquelle le four était sale avant d'être nettoyé. Lorsque le four est froid, vous pouvez facilement enlever ces cendres ou résidus avec un essuie-tout, une éponge ou un chiffon humide.

Essayez tous les résidus qui se trouvent sur le bâti avant avec du Formula 409^{mc} ou du Fantastik^{mc}. Si des taches persistent, utilisez un nettoyant liquide doux. La quantité de taches de fumée est directement liée à la quantité de résidus d'aliments laissés dans le four au moment de procéder à l'autonettoyage. Nettoyez souvent le four.

Avant de procéder à l'autonettoyage du four

Essayez les accumulations de graisse et toutes les saletés faciles à enlever pour réduire les possibilités de production de flammes ou de fumée. Enlevez les saletés se trouvant à l'extérieur du joint d'étanchéité de la porte. Cet appareil est conçu pour nettoyer l'intérieur du four et la partie de la porte située à l'intérieur du four. Les parties extérieures de la porte et le cadre entourant la partie avant du four ne se trouvent pas dans la zone de nettoyage. Nettoyez ces surfaces.

Avant de régler le four pour l'autonettoyage

- Enlevez tous les ustensiles.
- Enlevez les grilles.
- Nettoyez le bâti avant du four et les côtés de la porte. Essayez les éclaboussures et les accumulations de graisse.
- Assurez-vous que les ampoules et les couvercles de verre des lampes sont en place.
- Allumez la hotte au-dessus de la cuisinière et laissez-la jusqu'à ce que le cycle d'autonettoyage du four soit terminé.

IMPORTANT :

La première fois que vous utilisez le cycle d'autonettoyage de votre nouvelle cuisinière, sortez les petits animaux et les oiseaux de la cuisine et des endroits à proximité du four. Ouvrez une fenêtre pour une meilleure aération.

Verrouillage

Lorsque le cycle d'autonettoyage se met en marche, la porte se verrouille automatiquement. La jauge de température se dirige vers CLEAN cinq minutes après le début du cycle. Assurez-vous que la porte est verrouillée. Vous pouvez mettre fin à l'autonettoyage en mettant le bouton de commande à OFF. Le témoin CLEANING s'éteindra seulement lorsque la température du four aura atteint 500°F (200°C) et que la fonction de verrouillage de la porte ne sera plus active.

Assurez-vous que la porte du four est verrouillée au début du cycle d'autonettoyage.

Comment programmer l'autonettoyage des fours

1. **Enlevez les grilles du four.**
2. Assurez-vous que la porte du four est fermée.
3. Sélectionnez SELF CLEAN avec l'anneau de sélection de mode.
4. Placez le bouton de réglage de température à CLEAN.
 - Le loquet de la porte du four s'enclenche pour verrouiller la porte.
 - La soufflerie de refroidissement se met en marche.
 - L'indicateur de température indique CLEAN après cinq minutes.

NOTE :

Le processus de verrouillage de la porte dure environ vingt secondes, après quoi la porte est verrouillée. **Assurez-vous que la porte est bel et bien verrouillée.**

Lorsque le cycle de nettoyage est terminé

Le cycle de nettoyage dure environ deux heures. Ne tournez pas les boutons du four à la position OFF avant que le cycle de verrouillage automatique ne soit à la position ouverte.

1. Mettez le sélecteur de mode à la position OFF.
 - Le loquet de la porte s'ouvrira automatiquement lorsque la température du four sera inférieure à 500°F (200°C) et que le verrouillage automatique de la porte passera à la position ouverte en environ vingt secondes.
 - La soufflerie de refroidissement s'éteint lorsque la température du four atteint 375°F (191°C).
2. Tournez le bouton de commande du four à la position OFF.

Empêchement de cycles d'autonettoyage successifs

Les fours sont programmés pour empêcher la mise en marche d'un deuxième cycle d'autonettoyage pour une période de 24 heures. Toutes les autres fonctions sont disponibles immédiatement lorsque l'autonettoyage est terminé.

Trucs de nettoyage

1. Le fini en porcelaine émaillée résiste à l'acide, mais il n'est pas antiacide. Vous devriez essuyer les aliments acides, comme les jus d'agrumes, le jus de tomates, le jus de rhubarbe, l'alcool et le lait, et ne pas les faire cuire dans la porcelaine lors de la prochaine utilisation.
2. **Enlevez les grilles du four.**
3. Les brûleurs à infrarouge du grilloir dans le(s) four(s) ne doivent pas être nettoyés. Ils se nettoient d'eux-mêmes lors de l'utilisation du four.



AVERTISSEMENT :

L'intérieur du four sera toujours à une température de cuisson lorsque le verrouillage automatique cessera et qu'il sera possible d'ouvrir la porte du four.

Nettoyage de la cuisinière

Lors du nettoyage de la cuisinière:

1. Utilisez la méthode de nettoyage qui, tout en restant efficace, est la plus douce possible. Certains produits nettoyants similaires sont plus rudes que d'autres. Faites d'abord un essai sur une petite surface.
2. Passez toujours les produits pour métal dans le sens des lignes de polissage pour une efficacité maximale et pour éviter de rayer la surface.
3. N'utilisez que des éponges, des serviettes en papier, des brosses et des chiffons doux et propres, des tampons à récurer savonneux en plastique, non métalliques, pour nettoyer et gratter, comme recommandé dans le tableau.
4. La plupart des pièces externes de cet appareil peuvent être nettoyées avec de l'eau savonneuse chaude (sauf lors d'indications contraires concernant certaines pièces). Lorsque vous devez rincer une pièce, rincez-la à fond.
5. Essuyez toujours immédiatement pour éviter les traces d'eau de la surface nettoyée.
6. N'utilisez pas de produits nettoyants à base de chlore.



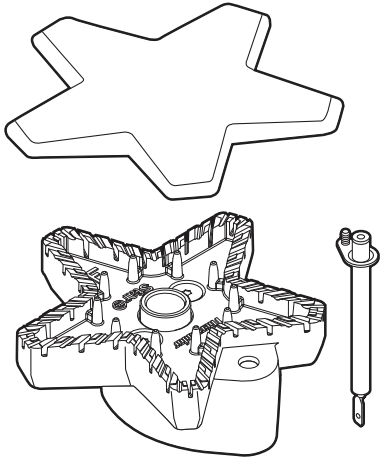
AVERTISSEMENT :

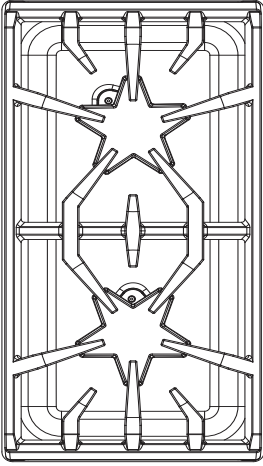
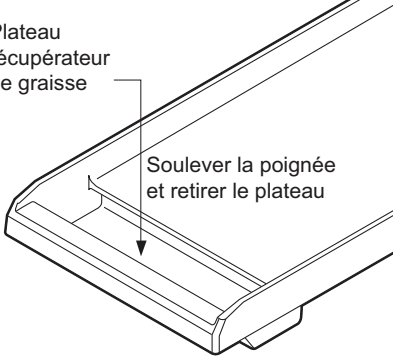
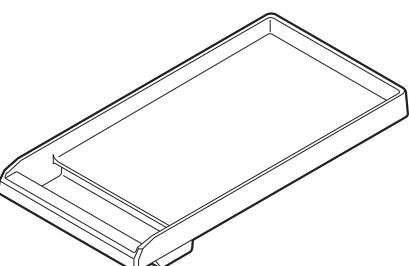
Évitez de nettoyer les pièces du four lorsqu'elles sont encore chaudes.

Marques de produit

Les marques de produits utilisées sont destinées à indiquer un type de produit nettoyant et non à en faire la promotion. L'omission d'une marque ne signifie pas qu'elle convient ou ne convient pas. De nombreux produits sont distribués à grande échelle et il est possible de les trouver localement. Il est essentiel que les produits soient utilisés conformément à leur mode d'emploi. Le tableau suivant fournit des directives pour nettoyer la cuisinière.

Recommandations pour le nettoyage

| PIÈCE/MATÉRIAU | PRODUITS NETTOYANTS SUGGÉRÉS | RAPPELS IMPORTANTS |
|---|--|---|
| <p>Base de brûleur en cuivre et chapeau en fonte</p>  | <ul style="list-style-type: none"> • Eau chaude savonneuse : rincez puis séchez soigneusement. • Produits abrasifs doux : Bon Ami^{mc}, produit nettoyant pour acier inoxydable et aluminium Cameo^{mc}, produit lustrant pour cuivre universel Wright's^{mc}. • Produits nettoyants liquides : Kleen King^{mc}. • Brosse à dents à poils de nylon durs pour nettoyer les orifices. • Après le nettoyage, s'assurer que le capuchon de brûleur est bien positionné sur la base du brûleur. | <ul style="list-style-type: none"> • Ne pas égratigner ni endommager le port de la base de brûleur en laiton. |
| <p>Boutons de commande en plastique Enjoliveurs en chrome Grille de four Full Access^{mc} /en chrome</p> | <ul style="list-style-type: none"> • Eau chaude savonneuse : rincez et séchez immédiatement | <ul style="list-style-type: none"> • Ne trempez pas les boutons dans l'eau. • Ne forcez pas un bouton sur un axe qui n'est pas le sien. |
| <p>Finition externe/dosseret Acier inoxydable</p> | <ul style="list-style-type: none"> • Produits nettoyants non abrasifs : eau chaude et produit détergent, Fantastic, Formula 409^{mc}. Rincez et séchez immédiatement. • Produits lustrant d'entretien : Stainless Steel Magic^{mc} pour protéger le revêtement contre les piqûres de corrosion et les taches; améliore l'aspect. • Taches de calcaire : vinaigre. • Produits pour aluminium et acier inoxydable Siege, produit liquide Kleen King^{mc} pour acier inoxydable. • Décoloration due à la chaleur : Cameo^{mc}, Barkeepers Friend^{mc}, Zud^{mc}, produit lustrant universel pour cuivre Wright's^{mc}. | <ul style="list-style-type: none"> • L'acier inoxydable résiste à la plupart des taches d'aliments et aux piqûres de corrosion si la surface est maintenue propre et protégée. • Ne laissez jamais laisser les taches d'aliments ou de sel sur l'acier inoxydable. • Frottez légèrement dans le sens des lignes de polissage. • Le chlore et les composés au chlore présents dans certains produits corrodent l'acier inoxydable. Vérifiez la composition du produit sur l'étiquette. |

| PIÈCE/MATÉRIAU | PRODUITS NETTOYANTS SUGGÉRÉS | RAPPELS IMPORTANTS |
|--|---|---|
| <p>Grilles/ Porcelaine émaillée sur fonte</p>  | <ul style="list-style-type: none"> • Produits nettoyants non abrasifs : eau chaude et produit détergent, Fantastic^{mc}, Formula 409^{mc}. Rincez et séchez immédiatement. • Produits nettoyants abrasifs doux : Bon Ami^{mc} et Soft Scrub^{mc}. • Produits nettoyants abrasifs pour taches récalcitrantes : tampons métalliques à récurer. • Lestoi^{mc} ou tout autre produit dégraissant. • La texture rugueuse de la grille enlève parfois des morceaux d'aluminium du fond des poêlons, qui se déposent à la surface des points les plus hauts de la grille. Vous pouvez nettoyer ces dépôts de métal avec une éponge Scotch Brite^{MC} propre ou une laine d'acier. | <ul style="list-style-type: none"> • Les grilles sont lourdes; faites attention en les enlevant. Placez-les sur une surface protégée. • La formation de cloques, de craquelures et d'éclats est fréquente en raison des températures extrêmes que peuvent atteindre les pointes des grilles et aux brusques changements de températures. • Les renversements de produits acides et sucrés détériorent l'émail. Nettoyez-les immédiatement. • Les produits nettoyants abrasifs utilisés trop vigoureusement ou trop souvent peuvent rayer l'émail. • Faites attention lorsque vous cuisinez avec des poêlons et casseroles en aluminium et en cuivre, car ces types d'ustensiles laissent parfois des dépôts métalliques sur les grilles. |
| <p>Plateau à graisse de la plaque / Aluminium avec revêtement antiadhésif</p>  | <ul style="list-style-type: none"> • Enlevez le plateau à graisse et versez la graisse dans un contenant adéquat avant de vous en débarrasser. Lavez le plateau à graisse dans de l'eau savonneuse chaude ou mettez-le au lave-vaisselle. • Nettoyez le plateau à graisse après chaque usage. • Lavable au lave-vaisselle. • Lavez-le dans de l'eau chaude avec du détergent; rincez puis séchez. • Résidus récalcitrants : Soft Scrub^{mc} | <ul style="list-style-type: none"> • Videz le plateau à graisse après chaque usage. • Retirez le plateau une fois que la graisse a refroidi. Faire attention à ne pas trop remplir le plateau pour éviter qu'il se renverse au moment de l'enlever. |
| <p>Plaque / Aluminium avec revêtement antiadhésif</p>  | <ul style="list-style-type: none"> • Lavez la surface de la plaque ou du gril à l'eau tiède savonneuse puis rincez-le à l'eau tiède. Essuyez avec un chiffon doux. • Si des résidus d'aliments collent, nettoyez-les avec un produit nettoyant abrasif doux comme du Soft Scrub^{mc}. | <ul style="list-style-type: none"> • Ne rincez jamais à l'eau froide. La plaque d'aluminium pourrait se déformer ou se fissurer. • Ne nettoyez pas dans le four autonettoyant. |

| PIÈCE/MATÉRIAU | PRODUITS NETTOYANTS SUGGÉRÉS | RAPPELS IMPORTANTS |
|---|---|--|
| Allumeurs en céramique | <ul style="list-style-type: none"> Utilisez un tampon de coton mouillé avec de l'eau, du Formula 409^{mc} ou du Fantastic^{mc}. | <ul style="list-style-type: none"> N'utilisez pas d'outils coupants pour gratter les allumeurs. Ils sont fragiles; s'ils sont endommagés, les brûleurs ne s'allumeront pas. |
| Plateaux collecteurs/bandes de finition de la surface Porcelaine émaillée (fini lustré) | <p>Un nettoyant comme du Soft Scrub^{mc} peut être utilisé. Appliquez avec une éponge ou un chiffon humide selon les instructions du fabricant. Bien rincer et assécher avec un chiffon doux.</p> <p>Si vous utilisez un produit comme Bar Keeper's Friend^{mc}, Bon-ami^{mc}, Comet^{mc} ou Ajax^{mc}, appliquez-le avec une éponge ou un chiffon humide selon les instructions du fabricant. Frottez sans trop mettre de pression, car ces produits peuvent égratigner le fini. Rincez soigneusement et séchez avec un chiffon doux.</p> <p>Pour les aliments brûlés, vous pouvez utiliser une laine d'acier ou un tampon savonneux, comme S.O.S.^{mc} ou Brillo^{mc}. Mouillez le tampon et frottez délicatement. Faites attention pour ne pas endommager le fini. Rincez soigneusement et séchez avec un chiffon doux.</p> | |
| Grille/base de la lèchefrite Porcelaine émaillée | <p>NE NETTOYEZ PAS DANS LE FOUR AUTONETTOYANT</p> <p>Pour détacher les résidus d'aliments, saupoudrez la grille quand elle est encore chaude avec un nettoyant en poudre pour la lessive ou aspergez-la d'un produit liquide, puis couvrez-la avec des serviettes en papier mouillées. Laissez reposer.</p> <p>Eau chaude savonneuse.</p> <ul style="list-style-type: none"> Lavez, rincez soigneusement, puis séchez. <p>Produits nettoyants : Soft Scrub^{mc}.</p> <ul style="list-style-type: none"> Appliquez à l'aide d'une éponge ou d'un chiffon humide selon les indications du fabricant. Rincez et séchez. <p>Produit nettoyant en poudre : Bon-ami^{mc}, Comet^{mc}, Ajax^{mc}.</p> <ul style="list-style-type: none"> Appliquez à l'aide d'une éponge ou d'un chiffon humide selon les indications du fabricant. Frottez doucement en prenant garde de ne pas rayer la surface. Rincez soigneusement et séchez. <p>Tampons métalliques à récurer ou savonneux : S.O.S.^{mc}, Brillo^{mc}.</p> <ul style="list-style-type: none"> Mouillez le tampon, frottez légèrement en prenant garde de ne pas rayer la surface. Rincez soigneusement et séchez. | |
| Portes Extérieur, cadre, poignée Acier inoxydable | <p>Prenez garde de ne pas laisser les produits nettoyants et l'eau entrer dans les orifices de la porte : l'eau pourrait causer de petites stries dans le verre intérieur. Consultez la section Finition externe/Dosseret.</p> | |
| Joint d'étanchéité Joint de porte | <p>Produits nettoyants génériques pour cuisines : Formula 409^{mc}, Fantastik^{mc}. Vaporisez et essuyez le produit avec un chiffon. Ne frottez pas. Ne déplacez pas, n'enlevez pas et n'endommagez pas le tissu à mailles.</p> | |

Entretien À Faire Soi-même

Changement de l'ampoule du four

ATTENTION :

- Assurez-vous que l'appareil et les lampes sont froids et que l'alimentation de l'appareil est coupée avant de remplacer les ampoules électriques, sans quoi vous pourriez vous blesser ou recevoir une décharge électrique.
- Les couvercles doivent être en place lorsque vous utilisez l'appareil.
- Les couvercles servent à empêcher les ampoules de se briser.
- Les couvercles sont faits de verre. Manipulez-les avec soin pour éviter de les briser. Les éclats de verre peuvent causer des blessures.
- La douille est sous tension lorsque la porte est ouverte.

Remplacez l'ampoule exclusivement par une ampoule recommandée pour cuisinière. N'UTILISEZ PAS une ampoule standard à usage domestique dans le four. Appelez le centre de service à la clientèle de THERMADOR^{mc} au 1-800-735-4328 ou le détaillant THERMADOR le plus près de chez vous pour vous informer des ampoules à utiliser avec votre cuisinière. Vous devrez connaître le numéro de série de votre cuisinière.

Remplacement de l'ampoule:

Utilisez seulement des ampoules halogènes à deux plots de 10 watts, 12 volts. Utilisez un linge propre et sec pour manipuler les ampoules halogènes. Cela augmentera leur durée de vie.

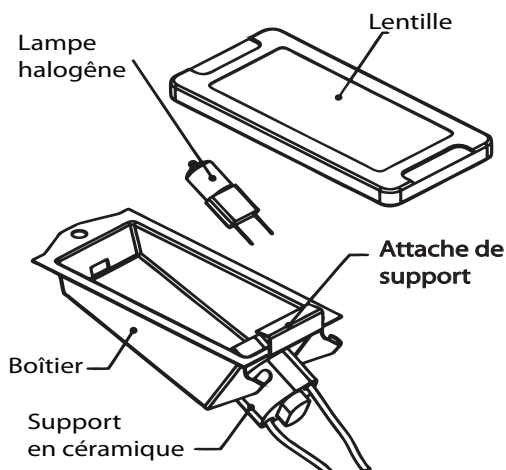


Figure 33 : Assemblage de la lampe du four

1. Coupez l'alimentation du disjoncteur.
2. Enlevez les grilles du four.
3. Insérez la pointe d'un tournevis plat entre l'attache de fixation et le boîtier de la lampe (Figure 34, A).

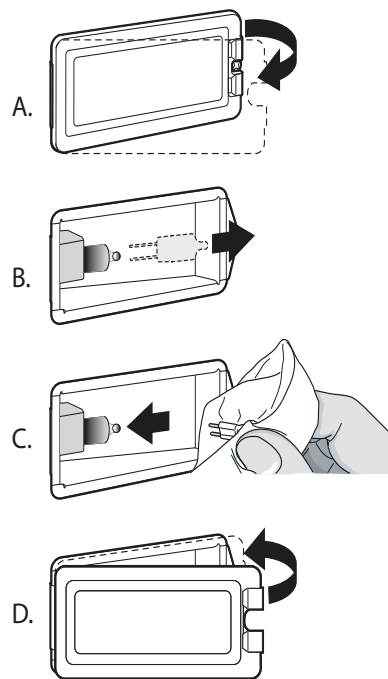


Figure 34 : Emplacement de l'ouverture

4. Soutenez le couvercle de la lentille de verre avec deux doigts le long du rebord inférieur pour empêcher qu'il tombe sur le plancher du four.
5. Tournez doucement le tournevis plat pour détacher le couvercle de la lentille de verre.
6. Enlevez le couvercle de la lentille de verre et l'attache de fixation (Figure 34, B).
7. Retirez l'ampoule en la saisissant et la faisant glisser vers l'arrière jusqu'à ce que les deux broches sortent du support en céramique.
8. Ne touchez pas au verre de la nouvelle ampoule de remplacement avec vos doigts, sans quoi elle ne fonctionnera pas lorsque vous l'allumerez. Prenez l'ampoule de remplacement avec un linge sec et propre. Localisez les deux fentes du support de céramique en y poussant doucement les deux broches de l'ampoule (Figure 34, C).
9. Tirez vers le bas pour bien installer l'ampoule.
10. Faites glisser la lentille de protection dans l'attache du support et poussez l'autre extrémité jusqu'à ce que l'attache de fixation s'enclenche dans le boîtier.
11. Rallumez le disjoncteur (Figure 34, D).

Panne de courant

En cas de panne de courant, seuls les brûleurs standards peuvent être allumés manuellement. Vous devez allumer chaque brûleur standard individuellement (voir *page 16*).

Si vous voulez utiliser la table de cuisson de la cuisinière pendant une panne de courant, tournez tous les boutons de commande des brûleurs à la position OFF. Approchez une allumette de l'orifice du brûleur standard et tournez le bouton de commande à la position HI. Attendez que la flamme brûle tout autour du chapeau du brûleur avant de la régler à l'intensité voulue.

Les deux brûleurs ExtraLow® du côté gauche de la cuisinière ne peuvent pas être utilisés pendant une panne de courant. Assurez-vous de les éteindre si une panne de courant survient, car ils ne se rallumeront pas tant que les boutons de contrôle ne seront pas mis à la position OFF puis rallumés.

Si la pression de l'arrivée de gaz est faible, communiquez avec votre compagnie de gaz.

Production intermittente ou constante d'étincelles par l'allumeur

La production intermittente ou constante d'étincelles au niveau des brûleurs hermétiquement encastrés de la table de cuisson peut être due à des facteurs qu'il est possible d'éviter. Éliminez ces facteurs comme indiqué dans le tableau.

| SYMPTÔME | CAUSE | SOLUTION |
|--|---|---|
| Production intermittente d'étincelles | <ul style="list-style-type: none">L'allumeur en céramique est mouillé ou sale.Les orifices du brûleur sont bouchés. | <ul style="list-style-type: none">Séchez ou nettoyez soigneusement l'allumeur.Nettoyez les orifices de répartition de la flamme à l'aide d'un fil métallique, d'une aiguille ou d'un trombone déplié. |
| Plus de quatre déclics de l'allumeur avant que la flamme ne s'allume | <ul style="list-style-type: none">Le chapeau du brûleur est mal posé sur sa base. | <ul style="list-style-type: none">Alignez bien le chapeau du brûleur sur la base du brûleur. |
| Production constante d'étincelles | <ul style="list-style-type: none">La mise à la terre de la cuisinière a été mal faite.L'alimentation électrique est mal polarisée. | <ul style="list-style-type: none">Consultez le manuel d'installation. Appelez un électricien qualifié pour qu'il effectue la mise à la terre adéquate de la cuisinière.Consultez les instructions d'installation. Appelez un électricien qualifié pour qu'il effectue une mise à la terre adéquate pour la cuisinière. |

Avant D'appeler le Service Technique

Avant d'appeler le service technique, vérifiez les points suivants afin d'éviter des frais inutiles.

Vérifiez d'abord les points suivants :

- Y a-t-il une panne de courant dans le voisinage?
- Les fusibles ont-ils sauté ou le disjoncteur s'est-il déclenché?
- La cuisinière est-elle débranchée?

Si les brûleurs ne s'allument pas

- Les chapeaux des brûleurs sont-ils correctement alignés et posés sur les bases des brûleurs?
- Les orifices des brûleurs sont-ils bouchés?
- Un fusible a-t-il sauté ou le disjoncteur s'est-il déclenché?
- Le robinet manuel de coupure du gaz est-il fermé, empêchant l'arrivée de gaz?

Plaque signalétique

La plaque signalétique indique le modèle et le numéro de série de votre cuisinière. Elle se trouve dans l'espace créé entre le côté droit de la cavité du four et le panneau latéral de la cuisinière.

Les schémas de câblage électrique et les dessins placés dans la zone de la base ne doivent pas être enlevés sauf par un technicien de service. Remettez-les en place après l'entretien.

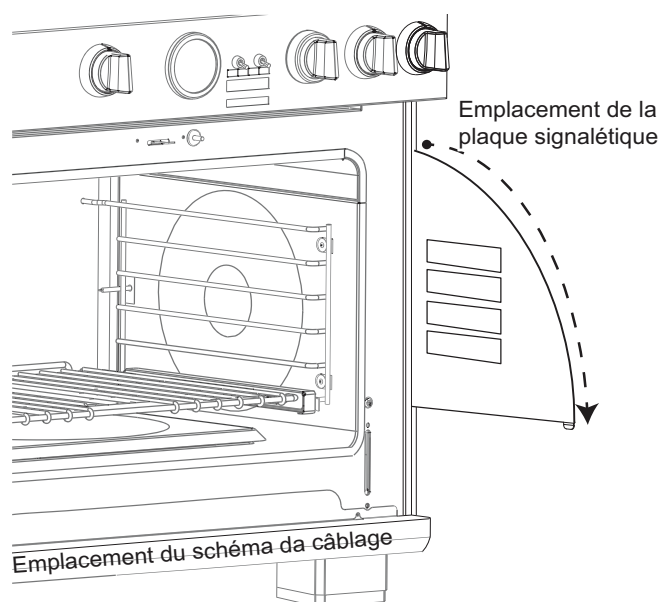


Figure 35 : Emplacement de la plaque signalétique

Renseignements pour le service technique

Pour une consultation facile, copiez les renseignements ci-dessous de la plaque signalétique située dans l'espace créé entre le côté droit de la cavité du four et le panneau latéral de la cuisinière. Conservez votre facture pour que votre garantie soit valide.

Numéro du modèle _____

Numéro de série _____

Date d'achat _____

Nom du détaillant _____

Numéro de téléphone du marchand _____

Nom du centre de service _____

Numéro de téléphone du centre de service _____

Complétez également la carte d'enregistrement du produit comprise avec ce produit et postez-la à l'adresse indiquée.

Enregistrez votre appareil auprès de BSH afin de vous assurer un service rapide et l'accès aux renseignements qui concernent votre appareil. Vous pouvez enregistrer votre appareil de l'une des façons suivantes :

1. Envoyez par la poste votre carte d'enregistrement de produit THERMADOR^{mc} complétée.
2. Enregistrez votre produit en ligne à l'adresse www.thermador.ca.
3. Communiquez avec le service à la clientèle de THERMADOR au numéro 1-800-735-4328.

Énoncé de Garantie Limitée du Produit

Couverture de la garantie et à qui elle s'applique

La garantie limitée offerte par BSH Home Appliances Corporation (BSH) dans cet énoncé de garantie limitée du produit ne s'applique qu'à l'appareil THERMADOR^{mc} qui vous a été vendu, à titre de premier acheteur, pourvu que le produit ait été acheté :

- Pour une utilisation domestique normale (non commerciale) et qu'il n'ait été utilisé qu'à des fins domestiques normales.
- Neuf au détail (qu'il ne soit pas un modèle précédemment retourné, un modèle « tel-quel » ou un modèle de plancher) et non destiné à la revente ou à un usage commercial.
- Aux États-Unis ou au Canada, et qu'il soit demeuré en tout temps dans le pays de l'achat d'origine.

Les garanties énoncées dans les présentes ne s'appliquent qu'au premier acheteur du produit et ne sont pas transférables.

Veuillez vous assurer de retourner votre carte d'enregistrement ; bien que ce ne soit pas indispensable à la couverture de garantie. C'est toutefois le meilleur moyen pour BSH de communiquer avec vous, dans le cas peu probable d'un rappel de produit ou d'un avis de sécurité.

Durée de la garantie

BSH garantit que le produit est exempt de défauts autant dans les matériaux que dans la main-d'œuvre pour une période de sept cent trente (730) jours à partir de la date d'achat. Cette période commence dès la date de l'achat et ne peut pas être arrêtée, prolongée ou suspendue pour quelque raison que ce soit.

Réparation ou remplacement comme recours exclusif

Durant cette période de garantie, BSH ou l'un de ses fournisseurs de service autorisés réparera votre appareil sans frais (sujet à certaines limitations établies dans les présentes) s'il est prouvé qu'une défectuosité dans les matériaux ou la main-d'œuvre affecte le fonctionnement de votre appareil. Si tous les efforts entrepris pour réparer l'appareil ont échoués, BSH remplacera votre appareil (un modèle plus récent pourrait vous être livré, à la seule discrétion de BSH, pour des frais additionnels). Toutes les pièces et composants deviendront la propriété de BSH. Toutes les pièces remplacées et/ou réparées assumeront l'identité de la pièce d'origine aux fins de cette garantie et cette garantie ne sera pas prolongée suite au remplacement de ces pièces. La seule responsabilité de BSH telle que décrite dans les présentes est de réparer un produit défectueux à la fabrication, en mandatant un fournisseur de

service autorisé de BSH durant les heures d'affaire. Pour des raisons de sécurité et de dommages aux biens, BSH recommande de ne pas tenter de réparer vous-même le produit ou d'employer un fournisseur de services non autorisé. BSH n'accepte aucune responsabilité pour les réparations ou le travail effectué par un fournisseur de service non autorisé. Si vous acceptez qu'une personne autre qu'un fournisseur de service autorisé travaille à réparer votre produit, CETTE GARANTIE DEVIENDRA AUTOMATIQUEMENT NULLE ET NON AVENUE. Les fournisseurs de service autorisé sont les personnes morales ou sociétés spécialement formées pour réparer les produits BSH et qui possèdent, selon BSH, une réputation supérieure au niveau du service à la clientèle et des compétences techniques (notez qu'il s'agit d'entités indépendantes et non d'agents, partenaires, sociétés affiliées ou représentants de BSH). En dépit des énoncés ci-dessus, BSH n'accepte aucune responsabilité pour un appareil se trouvant dans une région éloignée (à plus de 200 km d'un fournisseur de service autorisé), ou dans un lieu ou un environnement inaccessible, dangereux, menaçant ou hasardeux ; dans un tel cas, si vous le demandez, BSH paiera pour les pièces et la main-d'œuvre, et expédiera le tout au fournisseur de service autorisé le plus près. Vous serez toutefois entièrement responsable des frais de déplacement ou autres frais spéciaux engagés par la société de service, assumant que cette dernière accepte d'effectuer la réparation.

Appareil hors garantie

BSH n'est assujettie à aucune obligation, au titre de la loi ou autrement, de vous offrir des concessions, incluant les réparations, prorata ou remplacement de produit une fois cette garantie expirée.

Exclusions de la garantie

La garantie décrite dans les présentes exclut toutes les défectuosités ou dommages qui ne sont pas du fait direct de BSH, incluant, mais sans s'y limiter, un ou plusieurs des éléments suivants :

- Utilisation du produit pour quelque raison autre que son usage normal de la façon prévue (incluant mais sans s'y limiter, toute forme d'usage commercial, d'usage ou d'entreposage d'appareils pour l'intérieur à l'extérieur, d'usage de l'appareil avec tout moyen de transport maritime ou aérien).
- Toute conduite inappropriée, négligence, mauvais usage, abus, accident, utilisation inadéquate, absence d'entretien, installation inadéquate ou négligente, modification, non-respect des instructions d'utilisation, manutention inappropriée, réparations non autorisées (incluant les réparations « maison » ou l'exploration des mécanismes internes de l'appareil).

- L'ajustement, l'altération ou la modification de toute forme que ce soit.
- Le non-respect des codes du bâtiment, règlements ou lois de la ville, de la province ou du pays en matière d'électricité, de plomberie, incluant une installation non conforme aux règlements et codes du bâtiment et des services d'incendie.
- L'usure normale, les déversements d'aliments ou de liquides, les accumulations de graisse ou d'autres substances qui s'accumulent sur, dans ou autour de l'appareil.
- Toute force et facteur extérieur causé par les éléments ou l'environnement, incluant, mais sans s'y limiter, la pluie, le vent, le sable, les inondations, les coulées de boue, les températures extrêmes, l'humidité excessive ou l'exposition prolongée à l'humidité, la foudre, les pannes de courant, les défaillances structurales autour de l'appareil et les catastrophes naturelles.

En aucun cas BSH ne peut être tenu responsable de dommages aux biens environnants, incluant les armoires de cuisine, les planchers, les plafonds et toute autre structure ou objet entourant l'appareil. Également exclus de cette garantie sont les éraflures, entailles, bossellements mineurs et dommages cosmétiques des surfaces externes et parties exposées ; les appareils dont les numéros de série ont été modifiés, effacés ou rendus illisibles ; les visites de service visant à vous enseigner comment utiliser l'appareil ou les visites qui ne révèlent aucune défaillance à l'appareil ; la correction des problèmes d'installation (vous êtes seul responsable de la mise en place de l'appareil, notamment au niveau de l'électricité, de la plomberie et des autres installations de raccordement, des fondations et planchers et des modifications incluant, mais sans s'y limiter, les armoires, les murs, les planchers, les étagères, etc.) et le réenclenchement des disjoncteurs ou le changement des fusibles.

SELON LES LIMITES PERMISES PAR LA LOI, CETTE GARANTIE VOUS ACCORDE DES RECOURS EXCLUSIFS RELATIVEMENT AU PRODUIT, QUE LA RÉCLAMATION SURVIENNENT DE PAR LE CONTRAT OU PAR DÉLIT CIVIL (INCLUANT LA RESPONSABILITÉ STRICTE OU LA NÉGLIGENCE) OU DE TOUTE AUTRE FAÇON. CETTE GARANTIE REMPLACE TOUTE AUTRE GARANTIE, QU'ELLE SOIT EXPRESSE OU IMPLICITE. TOUTE GARANTIE IMPLICITE EN VERTU DE LA LOI, QU'ELLE CONCERNE LA QUALITÉ MARCHANDE OU L'ADAPTATION À DES FINS PARTICULIÈRES, OU AUTREMENT, NE SERA EN VIGUEUR QUE POUR LA PÉRIODE PENDANT LAQUELLE LA GARANTIE EXPRESSE LIMITÉE EST EN VIGUEUR. EN AUCUN CAS LE FABRICANT NE PEUT ÊTRE TENU RESPONSABLE DES DOMMAGES INDIRECTS, PARTICULIERS, CONSÉCUTIFS, DÉCOULANT D'UNE « PERTE COMMERCIALE » ET/OU PUNITIFS, DES PERTES OU DÉPENSES, INCLUANT, MAIS SANS S'Y LIMITER, LE TEMPS PASSÉ LOIN DU TRAVAIL, LES HÔTELS ET/OU LES REPAS AU RESTAURANT, LES FRAIS DE REMODELAGE QUI DÉPASSENT LES DOMMAGES DIRECTS DÉFINITIVEMENT ET EXCLUSIVEMENT CAUSÉS PAR BSH OU AUTREMENT. CERTAINS ÉTATS OU PROVINCES NE PERMETTENT PAR L'EXCLUSION OU LA LIMITATION DES DOMMAGES CORRÉLATIFS OU IMPRÉVUS ET CERTAINS ÉTATS OU PROVINCES NE PERMETTENT PAS D'ACCORDER UNE LIMITE DE DURÉE À LA GARANTIE IMPLICITE. PAR CONSÉQUENT LES LIMITATIONS CI-DESSUS POURRAIENT NE PAS S'APPLIQUER À VOUS. CETTE GARANTIE VOUS ACCORDE DES DROITS LÉGAUX SPÉCIFIQUES ET VOUS POURRIEZ ÉGALEMENT DISPOSER D'AUTRES DROITS QUI VARIENT D'UN ÉTAT À L'AUTRE ET D'UNE PROVINCE À L'AUTRE.

Aucune tentative de modifier ou d'amender cette garantie ne sera considérée comme applicable à moins qu'elle n'ait été autorisée par écrit par un responsable de BSH.

THERMADOR® Support

Service

We realize that you have made a considerable investment in your kitchen. We are dedicated to supporting you and your appliance so that you have many years of creative cooking.

Please don't hesitate to contact our STAR® Customer Support Department if you have any questions or in the unlikely event that your THERMADOR appliance needs service. Our service team is ready to assist you.

USA:
800-735-4328
www.thermador.com/support

Canada:
800-735-4328
www.thermador.ca

Parts & Accessories

Parts, filters, descalers, stainless steel cleaners and more can be purchased in the THERMADOR eShop or by phone.

USA:
www.thermador-eshop.com

Canada contact:
Marcone 800-287-1627
or
Reliable Parts 800-663-6060

THERMADOR® Entretien

Entretien

Nous savons bien que vous avez investi une somme considérable dans votre cuisine. Nous nous faisons un devoir de vous soutenir pour que vous puissiez profiter pleinement d'une cuisine où vous pourrez exprimer toute votre créativité de nombreuses années durant.

N'hésitez pas à communiquer avec l'un des membres chevronnés de notre équipe de soutien au client si vous avez des questions ou dans le cas plutôt improbable où votre appareil Thermador aurait besoin d'entretien. Notre équipe sera prête à vous aider.

USA:
800-735-4328
www.thermador.com/support

Canada:
800-735-4328
www.thermador.ca

Pièces et accessoires

Vous pouvez vous procurer par téléphone ou à notre boutique Thermador en ligne des pièces, des filtres, des produits nettoyants pour acier inoxydable et plus encore.

USA:
www.thermador-eshop.com

Canada contact:
Marcone 800-287-1627
or
Reliable Parts 800-663-6060

Thermador  [®]

REAL INNOVATIONS FOR REAL COOKS [®]

1901 Main Street, Suite 600, Irvine, CA 92614 • 800-735-4328 • www.thermador.com
9000886442 • 5U04RT • © BSH Home Appliances Corporation • 05/13