



CI24R..  
CI30R..  
FI18N..  
FI24N..  
FI24D..  
CI24W..

**Built-in appliance**

**SIEMENS**



# Table of content

<b>Safety and warning information .....</b>	<b>4</b>
<b>Installation possibilities .....</b>	<b>5</b>
Stand alone appliance .....	5
Side-by-Side set up .....	5
Stand alone appliance with dividing wall .....	5
Stand alone appliance as an end section to a row of kitchen units .....	5
<b>Installing the appliance .....</b>	<b>6</b>
Installation location .....	6
Climate classes .....	6
Stable installation .....	6
Installation niche .....	6
Neighbouring kitchen furniture .....	6
Subsurface .....	7
Aligning the appliance .....	7
<b>Electrical connection .....</b>	<b>7</b>
<b>Water connection .....</b>	<b>7</b>
<b>Dimensions of the installation niche .....</b>	<b>8</b>
<b>Tools and accessories which are needed .....</b>	<b>9</b>
Scope of delivery .....	9
Additional accessories .....	9
Miscellaneous .....	9
Tools .....	9
<b>Installation manual .....</b>	<b>10</b>
1. Check the installation niche .....	10
2. Removing the packaging .....	10
3. Transporting the appliance .....	11
4. Installation preparation .....	11
5. Special installation steps .....	11

## A

1. Attaching the anti-tipping brackets to the wall ..... 12
2. Attaching alternative anti-tilt device ..... 13
3. Attaching the edge protectors ..... 13
4. Attaching the fastening sheets (lateral)..... 13
5. Sliding the appliance into the installation niche ..... 14

## B

1. Adjusting the appliance in the niche ..... 15
2. Fastening the appliance to the niche ceiling ..... 15
3. Fastening the appliance to the side wall of the installation niche ..... 16
4. Checking that the finger guard moves easily ..... 16

## C

1. Fastening the plinth strip ..... 18
2. Aligning the base cover ..... 18
3. Switching the appliance on for the first time ..... 19
4. Preparing the furniture doors ..... 19
5. Loading the appliance door ..... 19
6. Removing positioning aids ..... 19
7. Fastening the adjusting rib to the furniture door ..... 20
8. Fastening the fixing rib to the furniture door ..... 20
9. Mounting the furniture door ..... 21
10. Screw on the lower fixing angle ..... 22

## D

1. Fasten the finger protector ..... 23
2. Attaching the covers ..... 23
3. Mounting the air separator..... 24
4. Tensioning the hinge springs ..... 25

## Special installation steps ..... 26



- Changing over the door hinges ..... 26
- Removing/changing the sealing mat .... 28
- Side-by-Side set up ..... 29
- Preparing the water connection ..... 31
- Connecting the appliance to the water supply ..... 32
- Aligning ice and water dispenser ..... 32
- Attaching covering strips ..... 33
- Setting the door opening angle ..... 34

---

## Safety and warning information

These mounting instructions are designed to help you install your new appliance.

The manufacturer cannot be held liable for mounting which has been improperly carried out. We recommend that you allow a qualified specialist to set up and switch the appliance on for the first time.

Following all information and keeping to the instructions are preconditions for mounting and switching the appliance on safely for the first time.

Keep the mounting instructions safe for use later on.

Before setting up and switching the appliance on for the first time, read the mounting instructions fully and thoroughly.

### **Warning**

The appliances are very heavy and must be secured from tipping when transporting, when mounting and when operating. It is absolutely necessary to fit an anti-tip device.

Keep the doors closed until the appliance has been mounted completely and secured according to the instructions in these mounting instructions.

Because of the weight / dimensions of the appliance and to minimise the risk of injuries and damage to the appliance at least two persons are necessary to set-up the appliance securely.

Use the appliances according to the prescribed application.

Pull out the plug or remove the fuse before commencing work on the appliance.

Only customer service may change the power cord and carry out any other repairs. Improper installations and repairs may put the user at considerable risk.

Apart from statutory national regulations, you should stick to the connection terms relating to the local electricity and water companies.

### **Caution**

Setting up and mounting this appliance requires extensive expertise in various trades (mechanics, carpentry, plumbing, electrics).

It is the duty of the person setting the appliance up to guarantee that it is set up and commissioned securely.

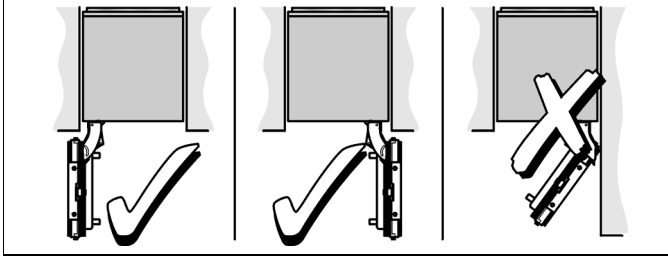
Mistakes in setting the appliance up and damage resulting from this do not come under the warranty of the manufacturer. Terms of guarantee are found in the operating instructions of the appliances.

## Installation possibilities

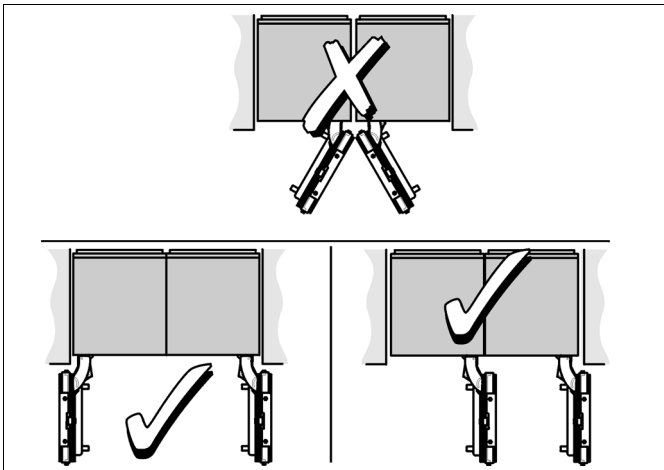
Various installation possibilities are available.

These are only limited by the kitchen design and the finger protector function.

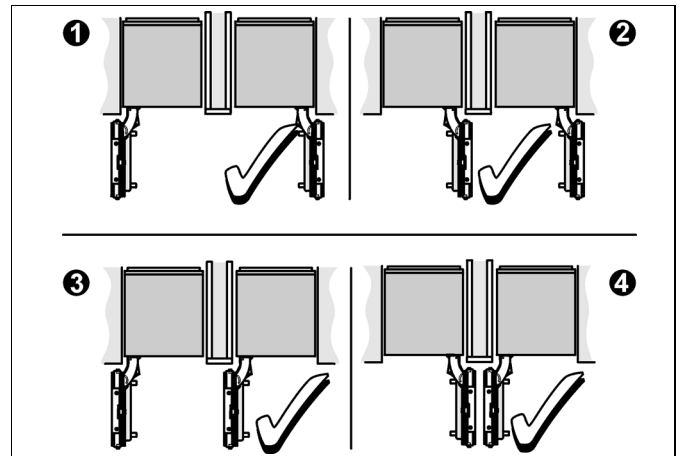
### Stand alone appliance



### Side-by-Side set up



### Stand alone appliance with dividing wall



- When measuring the dividing wall for model 4, pay attention to the thickness of the furniture front to be mounted in order to avoid damage when opening doors at the same time.

- If the distance between the appliances is less than 160 mm, the auxiliary side heater must be used.

For further information see section "Tools and Accessories which are needed".

- The minimum thickness of the dividing walls is 16 mm.

### Stand alone appliance as an end section to a row of kitchen units

If a side of the appliance is visible, use a side covering.

The side covering must be connected firmly to the wall, the floor and the upper cupboards before the appliance is slid into the installation niche.

The dimensions of the side covering are governed by the opposing niche wall. During installation, make sure that the installation niche has right angles and has the exact size necessary for the appliance.

# Installing the appliance

## Installation location

### **Caution:**

The appliance is very heavy. Data relating to the weight when laden is found in the following table.

Appliance	Weight (laden)
Refrigerator 60.3 cm	approx. 400 kg
Refrigerator 75.6 cm	approx. 500 kg
Freezer 45.1 cm *	approx. 250 kg
Freezer 60.3 cm *	approx. 350 kg
Freezer 75.6 cm *	approx. 425 kg
Wine storage cabinet 45.1 cm	approx. 245 kg
Wine storage cabinet 60.3 cm	approx. 310 kg

\* without water and ice dispenser

The appliance should be installed in a dry, well ventilated space.

The location should not be exposed to the direct sunlight and should not lie next to a source of heat such as a cooker or a radiator etc. If installation next to a source of heat cannot be avoided, either a suitable insulating plate should be used or you should keep to the following minimum distances:

- 3 cm to electric or gas cookers.
- 30 cm to an oil-fired or solid-fuel cooker.

The floor of the installation location must not give way; if required, reinforce floor. To ensure that the ice maker functions correctly, the appliance must be upright.

## Climate classes

The climate class can be found on the rating plate. The climate class indicates within which ambient temperatures the appliance can be operated.

Climate class	Permitted ambient temperature
SN	+10 °C to 32 °C
N	+16 °C to 32 °C
ST	+16 °C to 38 °C
T	+16 °C to 43 °C

## Stable installation

The appliance is very heavy and has a tendency to tilt forwards when the appliance door is opened. The appliance must not be switched on until there is no possibility of the appliance tilting over.

The safest method of installing the appliance in a stable position is to use the supplied anti-tilt brackets.

If the installation cavity is adequately stable and the appliance can be attached securely to the upper and side walls of the cavity, it may be possible to dispense with the anti-tilt brackets. A prerequisite for this is always a firm connection between the cavity and back wall!

In the case of doubt, the help of architect or specialist builder should be enlisted.

## Installation niche

It is important to keep to the stated dimensions of the installation niche with a view to trouble-free fitting, and the subsequent appearance of the kitchen furniture frontage.

Special care should be taken that the niche has right angles. The side walls should not exhibit areas that stick out, projections or unevenness.

You should determine the right angles of the installation niche with appropriate means, e.g. by measuring diagonally and by using a spirit level.

The side walls and the upper end of the installation niche must be at least 16 mm thick.

## Neighbouring kitchen furniture

The new appliance is screwed down tightly using parts of the cabinet and the upper cabinet.

Care should therefore be taken, that all upper cabinets to which something has been fastened are securely connected to the subsurface or wall by appropriate means.

The minimum thickness of the base should be a minimum of 19 mm.

## Subsurface

### **Caution:**

A fully laden appliance is heavy. data relating to the weight when laden is found in the following table.

Appliance	Weight (laden)
Refrigerator 60.3 cm	approx. 400 kg
Refrigerator 75.6 cm	approx. 500 kg
Freezer 45.1 cm *	approx. 250 kg
Freezer 60.3 cm *	approx. 350 kg
Freezer 75.6 cm *	approx. 425 kg
Wine storage cabinet 45.1 cm	approx. 245 kg
Wine storage cabinet 60.3 cm	approx. 310 kg

\* without water and ice dispenser

The subsurface must be level and even in order to ensure that the appliance is securely installed and works correctly.

The subsurface must be made from a hard, non-flexible material.

The floor of the installation space must have the same height as the rest of the space.

On account of the weight of a fully-laden appliance, it is necessary to have a bearing subsurface. In the case of doubt, the help of architect or specialist builder should be enlisted.

## Aligning the appliance

To ensure that the appliance functions correctly, it must be set level with a spirit level.

If the appliance is not level, water may flow out of the ice maker, ice cubes may be irregular or the doors may not close properly.

## Electrical connection

The socket must be near the appliance and also freely accessible following installation of the appliance.

The appliance complies with the protection class I. Connect the appliance to 220–240 V/50 Hz alternating current via a correctly installed socket with protective conductor. The socket must be fused with a 10 to 16 A fuse.

For appliances operated in non-European countries, check whether the stated voltage and current type match the values of your mains supply match the values of the mains supply. These specifications can be found on the rating plate.

### **Warning:**

Never connect the appliance to electronic energy saver plugs. Our appliances can be used with mains and sine-controlled inverters. Mains-controlled inverters are used for photovoltaic systems which are connected directly to the power supply system. Sine-controlled inverters must be used for isolated applications (e.g. on ships or in mountain lodges) which are not connected directly to the national grid.

## Water connection

### **Warning:**

Connect the appliance to a cold water pipe only.

The water may be connected only by a competent fitter according to the local regulations of the appropriate water supply company.

A cold water connection is necessary for operating the automatic ice maker. The water pressure must lie between 0.2 MPa and 0.8 MPa (2.0 and 8.0 bar). The installation must correspond to the local plumbing regulations.

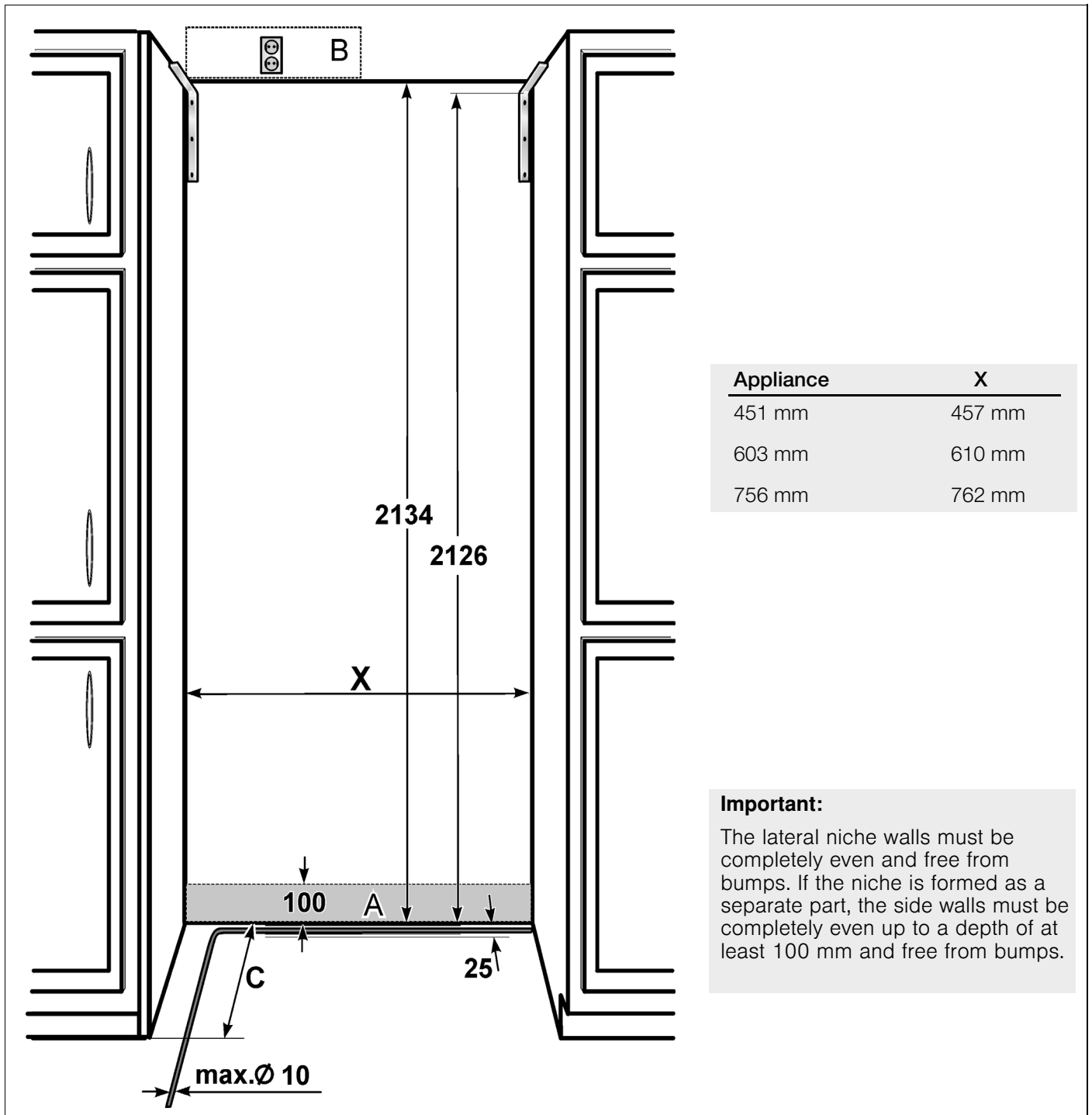
A separate shut-off valve should be installed in the cold-water inflow. The shut-off valve should not be located behind the appliance. It is recommended that you mount the shut-off valve directly next to the appliance or at another place which is easily accessible.

When installing the water connection, pay attention to the permissible installation area for the water mains. For more information concerning the permissible installation area, see the section "Dimensions of the installation niche".

### **Note, if the water line for the cold water connection is not included in the product package:**

- For connection to the drinking water mains use only water pipes which are suitable for drinking water. Observe national regulations and the connection conditions of the local water supply companies.
- The maximum outside diameter of the water mains (without connecting pieces) is 10 mm.

## Dimensions of the installation niche



### Key:

- A Area for installation of the water connection
- B Area for installation of the electric current
- C Depth of the installation niche, depending on the kitchen design  
C = 610 mm minimum!



## Tools and accessories which are needed

### Scope of delivery

- Installation manual
- Operating instructions
- Installation accessories

### Additional accessories

#### Installation accessories for side-by-side installation

For permanent connection of two appliances, e.g. a freezer next to a refrigerator.

#### Lateral additional heating

Necessary when the distance between two appliances is less than 160 mm.

#### Connecting element for furniture doors

For connecting two furniture doors (see explanation in Section "4. Preparing the furniture doors"). It can be used for standard height furniture doors without any preparation work.


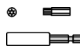

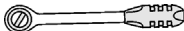
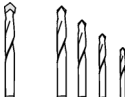
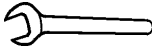



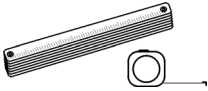
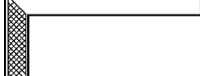


### Miscellaneous

- Step ladder
- Trolley, wheelbarrow or sack barrow
- Hammer drill for drilling holes into the wall and floor
- Various size drills for various materials
- Wood beam, (min. 8 x 10 cm) as an alternative anti-tip device. Length should correspond to the width of the installation niche.
- Various size wood screws
- Screw (M8, at least 80 mm long), nut
- Thin (1.5 mm), material suitable for protecting the floor against damage (e.g. linoleum)
- Suitable material for covering and protecting the cabinets (e.g. protective film)
- Adhesive tape

#### Note:

Before using, check whether the removed adhesive tape leaves adhesive residue on the work surfaces! Otherwise do not use on high-quality work surfaces.

### Tools

	Rechargeable screwdriver
	T20 Torx-bit magnetic holder
	T20 Torx screwdriver
	8 mm socket wrench
	Various size drills
	Fixed spanner SW 13 mm
	Water pump pliers
	Adjustable spanner
	Knife with an adjustable blade
	Metal tape measure, folding ruler
	Angle of contact
	60 cm and 120 cm spirit levels
	Level, min. 120 cm long

# Installation manual

The following mounting instructions describe mounting steps for various appliance models.

Therefore, deviations may occur from that shown in the diagrams.

Reference is made to specific mounting steps for individual appliances.

## 1. Check the installation niche

### ⚠ Caution:

Before starting the installation, check carefully that the installation cavity meets the requirements for a secure and trouble-free installation:

1. Check the subsurface.  
Follow the notes in the section "Installing the appliance".
2. Check the dimensions of the niche.
3. Re-examine whether the niche has right angles.
4. Re-examine the positioning of the plug.  
Additionally follow the instructions in the sections "Electrical connection" and "Dimensions of the installation niche".
5. Check the positioning of the water connection (for appliances with ice maker)  
Additionally follow the instructions in the sections "Water connection" and "Dimensions of the installation niche".
6. Re-examine the stability and fastening of the neighbouring cabinet parts. All cabinet parts in the vicinity of the appliance have to be firmly connected to the wall.
7. Re-examine that when opening the appliance door, it does not collide with neighbouring kitchen parts (for door opening angle).

## 2. Removing the packaging

### ⚠ Warning:

- The appliance could tip over when unpacking.
- The appliance could tip over when the appliance door is opened.

The appliance is very heavy. Data relating to the weight when empty is found in the following table:

Appliance	Weight (empty)
Refrigerator 60.3 cm	approx. 131 kg
Refrigerator 75.6 cm	approx. 145 kg
Freezer 45.1 cm *	approx. 109 kg
Freezer 60.3 cm *	approx. 131 kg

Appliance	Weight (empty)
Freezer 75.6 cm *	approx. 145 kg
Wine storage cabinet 45.1 cm	approx. 109 kg
Wine storage cabinet 60.3 cm	approx. 131 kg

\* without water and ice dispenser

### Risk of personal injury and damage to the appliance!

#### Note:

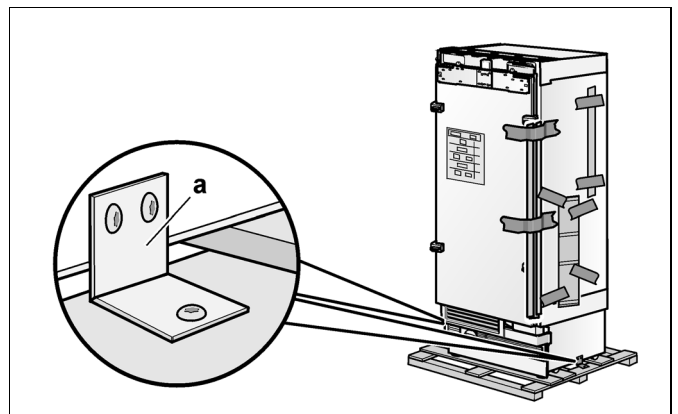
Check the appliance for damage. Do not install the appliance if there is visible damage. If there are queries, please contact the dealer.

To protect the subsurface from damage whilst installing:

1. Place cardboard or plywood under the appliance.
2. Remove packaging carton. Be careful when using the knife so as not to damage the surface of the appliance.
3. Remove accessories from the outside of the appliance.

Keep adhesive tape which was used to attach the supplied accessories to the appliance. It is used subsequently for attaching the edge protection to the cavity walls (see section "A / 5. Sliding the appliance into the installation niche").

4. Remove transportation protection devices (a) and lift appliance off the pallet – appliance is very heavy!



5. Carefully open the appliance – risk of tipping over – and remove accessories and installation materials from inside the appliance. Close the door again.

#### Note:

Only remove the transporting securing units with which the slide-in bases and the storage compartments in the appliance are protected after completing the installation as otherwise, parts could be damaged.

### 3. Transporting the appliance

#### ⚠ Warning:

The appliance is very heavy. Handle it carefully, as otherwise people helping to lift it could be hurt or the appliance could be damaged.

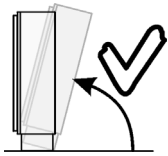
The appliance has a height of 2,126 mm. If it is not possible to support the appliance in a vertical position because of the structure of the building, the appliance can be transported on its side.

#### Note:

Never put the appliance up via its side! Risk of damage to the appliance.

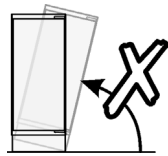
When putting the appliance up, pay attention to the minimum height that is required at the assembly location according to the following table.

#### Putting the appliance up on via its back side



Minimum height  
218.5 cm

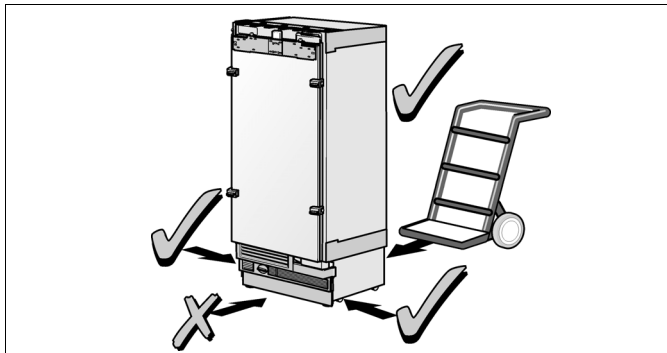
#### Putting the appliance up via its side wall



Never put the appliance up via its side! aufrichten!

#### Note:

Never push means of transportation under the front of the appliance. Risk of damage to the appliance

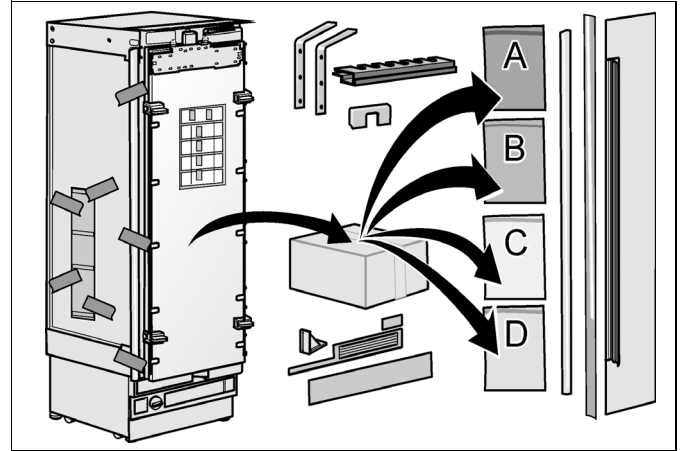


1. Transport the appliance with an aid to transport which is suitable (sack barrow, trolley or wheelbarrow).
2. When transporting, secure the appliance from being tipped.

### 4. Installation preparation

Unpack installation materials and accessories.

To simplify installation, the packages are identified with labels A, B and C corresponding with the manual sections.



### 5. Special installation steps

The following symbol indicates that additional steps need to be taken before proceeding to the next chapter.

Special installation steps are described after section D.



- Exchanging the door stops see "Special installation steps".
- Sealing mat, see "Removing/ changing the sealing mat".
- Side-by-Side set up see "Side-by-Side set up".
- Water connection see "Preparing the water connection" and "Connecting the appliance to the water supply".
- Ice water dispenser, see "Aligning ice and water dispenser".
- Cover strips for the wine cooler, see "Attaching covering strips".
- Door opening angle see "Setting the door opening angle".

# A 1. Attaching the anti-tipping brackets to the wall

## ⚠ Warning:

Ensure that in the wall area there are no electrical wires or pipes which could be damaged by pipes. Risk of injury or damage!

## ⚠ Warning:

When installing or working with floor anchors always use protective glasses and other protective equipment or protective clothing – risk of injury!

### Important note:

If a side-by-side set up of two appliances is envisaged, the anti-tilt brackets are needed as installation aid. Connect the appliances before the anti-tilt brackets are fixed to the wall, see “Side-by-Side set up”.

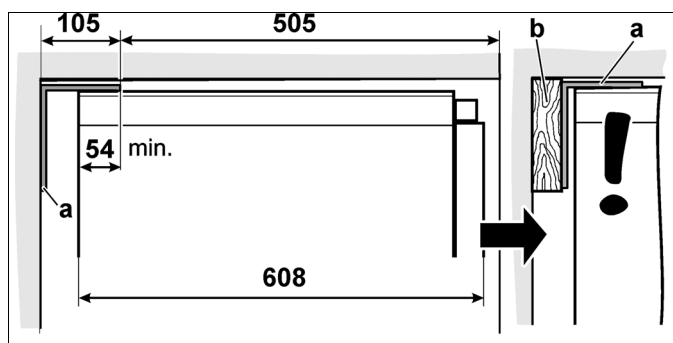
### Notes:

- Each appliance requires 2 anti-tilt brackets.
- The set supplied, contains fastening screws for various subsurfaces. Select the fastening screws corresponding to the local conditions.
- A total of 2 anti-tilt brackets are used for a side-by-side installation.
- If the anti-tilt brackets, and therefore the appliance, cannot be securely attached with the supplied fastening screws, another suitable method must be used to attach the appliance securely.

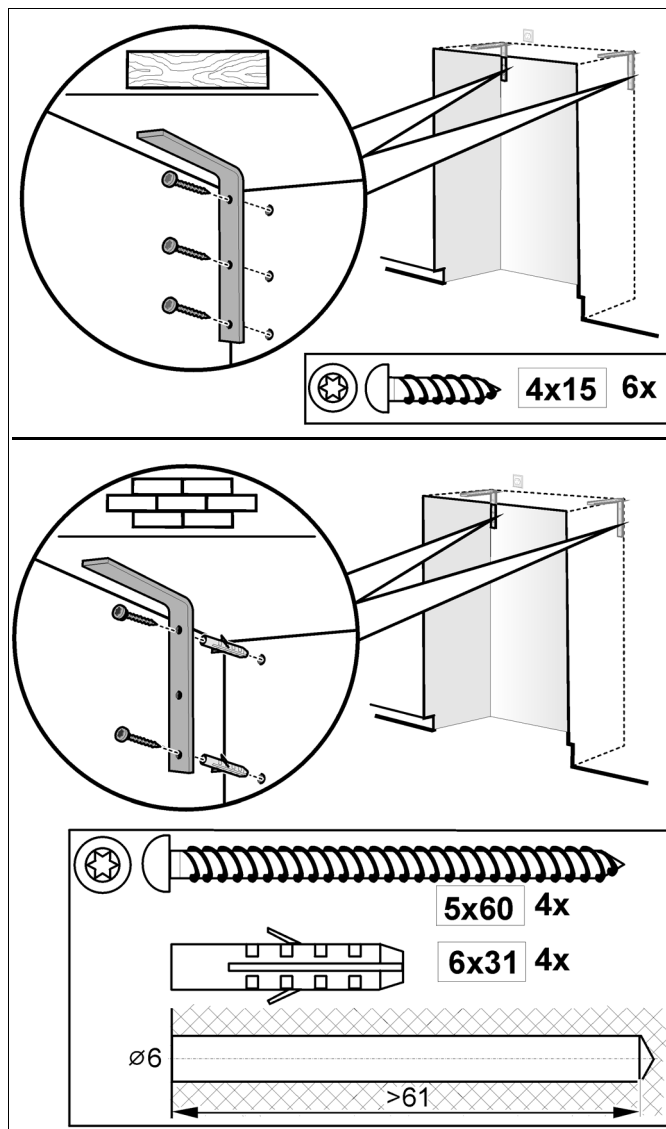
The anti-tilt brackets (a) must overlap the appliance by at least 54 mm to ensure that the appliance is stable.

If the minimum overlap cannot be observed due to structural conditions, these can be overcome by the attachment of a suitable device, e.g. an adequately dimensioned beam (b) behind the brackets.

The length of the wooden beam should correspond to the width of the installation niche!



1. Determine the fastening points of the anti-tilt ribs.  
Determine the actual dimensions according to the section “Dimensions of the installation niche”.
2. Screw on the anti-tilt brackets tightly. Re-examine to make sure that the screws are firmly tightened.



### Important information concerning attachment with wall plugs and screws:

- Not suitable for use in light-weight masonry such as hollow blocks or tiles!
- Never use in fresh concrete which has not yet hardened.
- Do not use spiral-flute counterbores (countersinking tool) to drill the holes.

## 2. Attaching alternative anti-tilt device

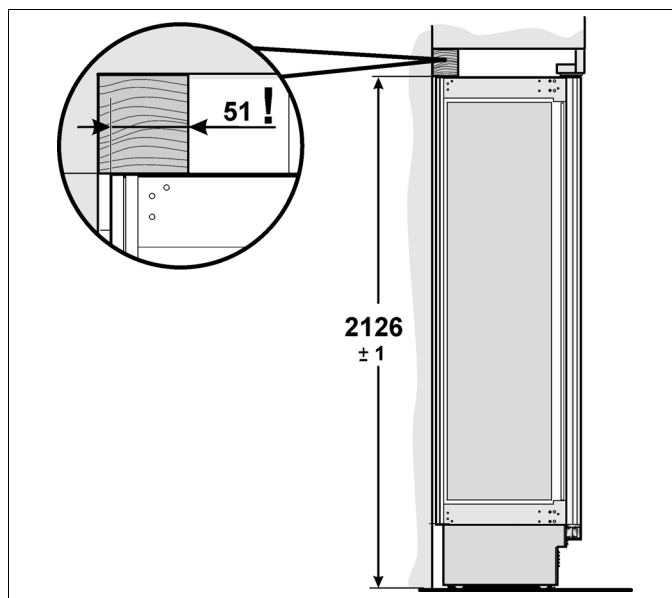
### Important note:

If the anti-tilt brackets cannot be securely attached, a wooden beam can be used above the appliance as an alternative anti-tilt device. Care should be taken that there is not a gap between the appliance and the wooden beam. As far as possible, always screw the wooden beam to the rear wall of the niche.

1. Cut the wooden beam to the required length (cross section min. 8 x 10 cm). The length should correspond to the width of the installation niche!

### Notes:

- If the installation niche is deeper than the appliance, select a stronger beam or use two, one behind the other.
- The beam must overlap the appliance by at least 50 mm.



2. Mark the installation height (underside edge of the beam) on the rear wall of the niche.
3. Select the screws according to the thickness of the wooden beam: Length min. 2.5 x wood thickness, diameter 12 or 14 mm.

### Note:

Select the number of screws corresponding to the niche width so that you ensure that the beam can be securely mounted.

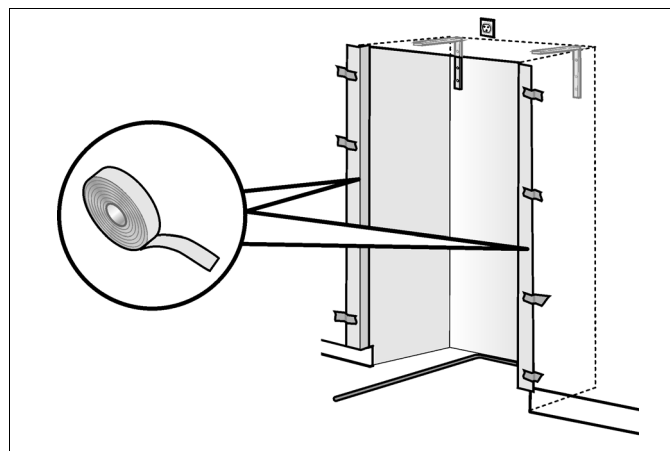
According to the subsurface:

4. Look for the supports on the rear wall of the niche and mark the drill holes on the beam corresponding to the position of the support.  
or  
Fasten suitable dowel into the rear wall.
5. Pre-drill.
6. Screw the beam onto the rear wall of the niche.

## 3. Attaching the edge protectors

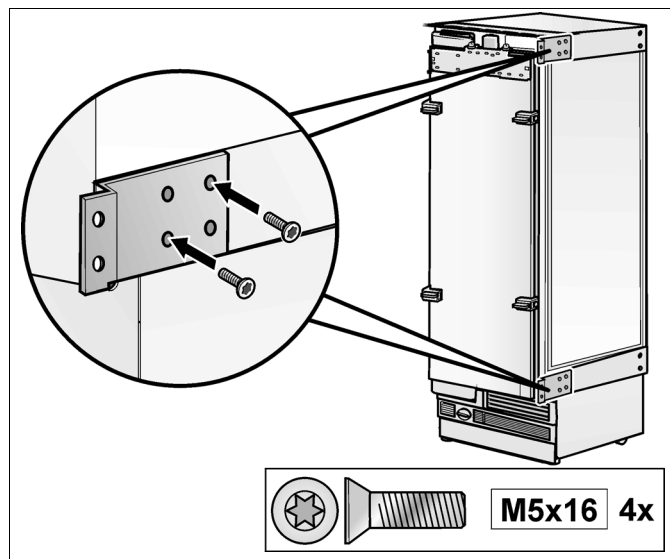
To protect the edges of the installation cavity, it is recommended to attach edge protection made of a suitable material.

Attach the edge protection with the adhesive tape which was used to attach the accessories to the appliance.



## 4. Attaching the fastening sheets (lateral)

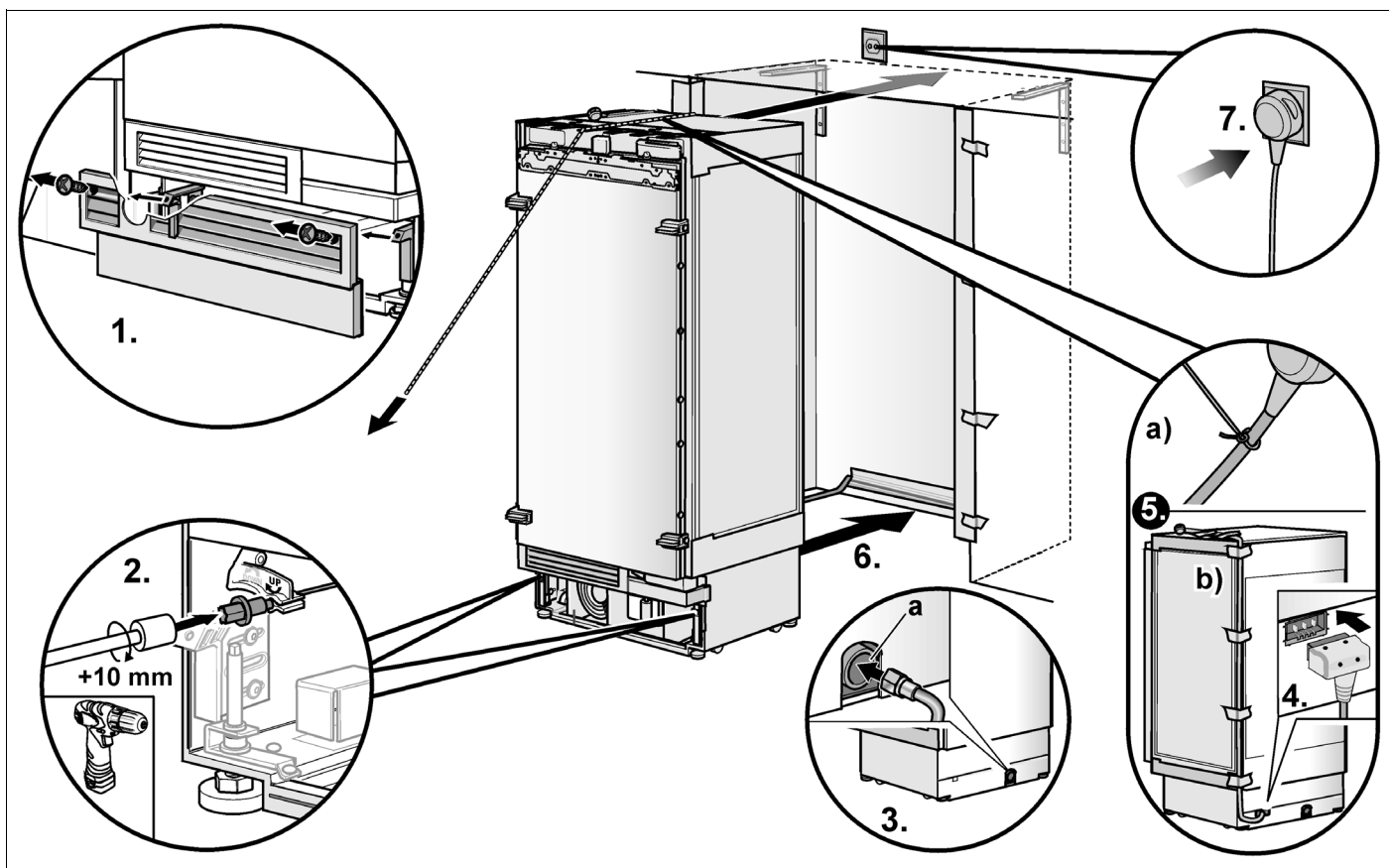
Attach the fastening sheets (lateral) to the appliance.



The following are special installation steps. Instructions are provided after section D.

- Exchanging the door stops see "Special installation steps".
- Sealing mat, see "Removing/ changing the sealing mat".
- Side-by-Side set up see "Side-by-Side set up".
- Water connection see "Preparing the water connection".

## 5. Sliding the appliance into the installation niche



### ⚠ Caution:

Be careful when sliding the appliance into the installation niche. Do not damage the water connection or power cord.

### Note:

If the floor or appliance is skew in relation to the installation niche, the height-adjustable wheels should be correspondingly adjusted before sliding the appliance into the niche.

1. Remove the base panelling.
2. Unscrew the height-adjustable feet at the back of the appliance by approx. 10 mm.
3. Insert water connection line into the protective pipe on the rear of the appliance.

### ⚠ Warning:

The appliance may tilt when the water connection line is inserted into the protective pipe (a)!

4. Connect the power cord to the appliance.
5. Protect the mains lead from getting wedged under or behind the appliance.

Recommended procedure:

a) Tie a piece of string onto the power cord and guide the string forwards over the appliance. When pushing the appliance into the cavity, pull the cable with the string forward.

or

b) Fasten the power cord onto the backside and the top of the appliance with adhesive tape.

6. Slide the appliance carefully into the niche.
7. Plug the mains plug into the socket.
8. Remove edge protection from the installation cavity (if previously attached).

# 1. Adjusting the appliance in the niche

## Note:

To ensure that the appliance functions correctly, it must be set level with a spirit level.

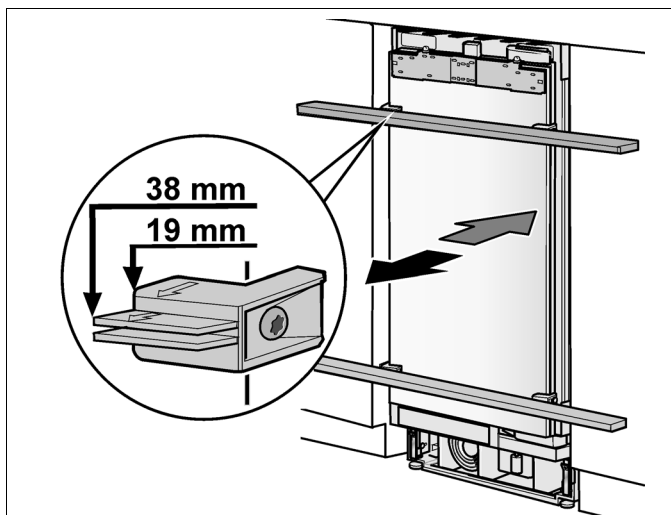
## Depth alignment

The positioning supports are set out for the following overall strengths of the furniture doors to be mounted.

- 19 mm
- 38 mm

Re-examine the actual thickness of the doors to be mounted in order where necessary, to be able to compensate possible digressions.

1. Adjust the appliance to the existing furniture.  
Keep the straight edge on the door, above the positioning supports.



## Height alignment

### Notes:

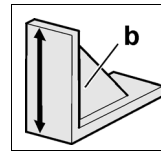
- Do not tip the appliance in the niche! When screwing down the height adjustable feet, proceed step by step. Lower by alternating left to right.
- The rear feet can be set easier when the appliance is not loaded on the rear.
- When using a wooden beam as an alternative anti-tilt mechanism, turn the appliance as far as it will go against the wooden beam. Do not bend against the wooden beam.

The height-adjustable feet on the front and rear can all be adjusted from the front.

Front: with a fixed spanner SW 13 mm

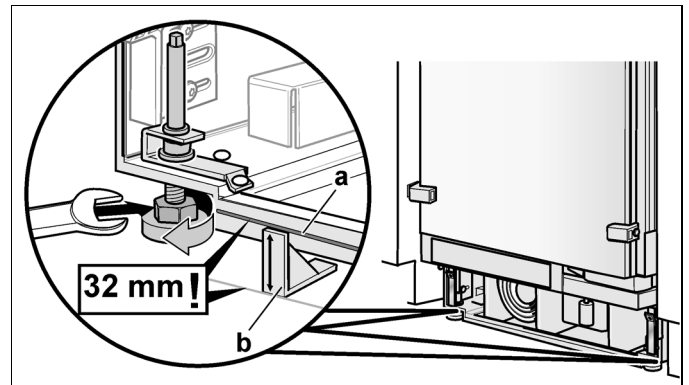
Rear: with a 8 mm socket spanner with flexible shaft. Use cordless screwdriver.

A mark (a) is made on the base of the appliance which serves as a standard measurement for setting the height. When setting the height, raise the mark to 32 mm above the ground. This dimension is very important for the subsequent adjustment of the cabinet frontage.

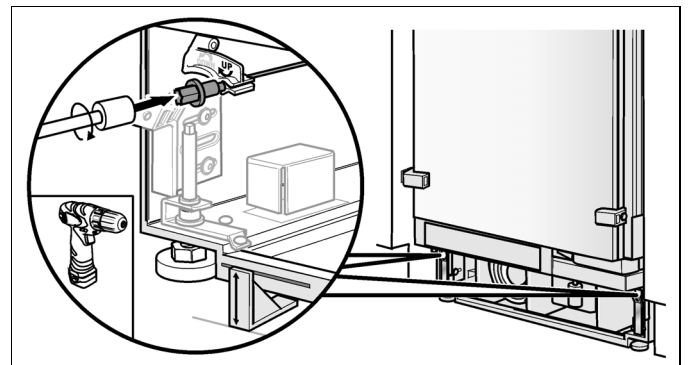


The assembly gauge (b) is used to set this height correctly. The upper edge of the gauge must be in alignment with the mark on the appliance.

2. Unscrew the height-adjustable feet at the front of the appliance until the mark on the base has reached the indicated height (32 mm).



3. Align the appliance vertically using the feet at the back. Use spirit level.

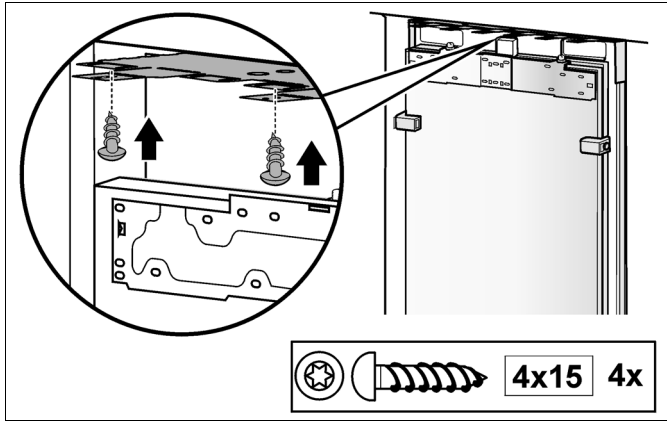


## 2. Fastening the appliance to the niche ceiling

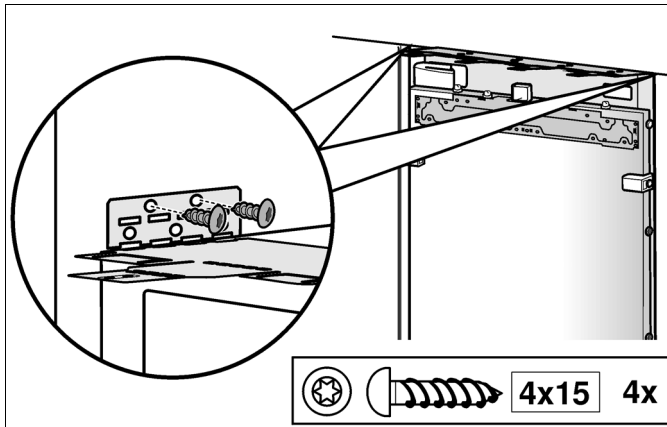
### Note:

It is essential to attach the appliance to the ceiling of the cavity.

1. Screw on the front bars of the fastening sheets (above) with the upper cabinets.
2. If there is a large gap available above the appliance, integrate a wooden beam above the appliance and pay attention that the gap is completely filled.

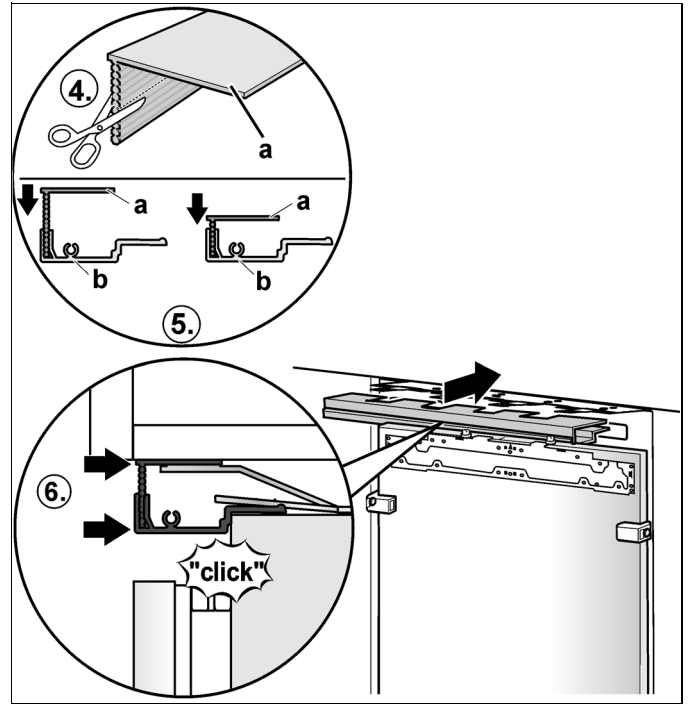


3. If there is enough room above the appliance, fix the lateral bars of the fastening sheets (above) to the side of the niche.



4. Cut the connection ribs (a) to the desired height!
5. Press connection ribs (a) into the covering ribs (b).

6. Attach the covering ribs (b) onto the fastening sheets (above),

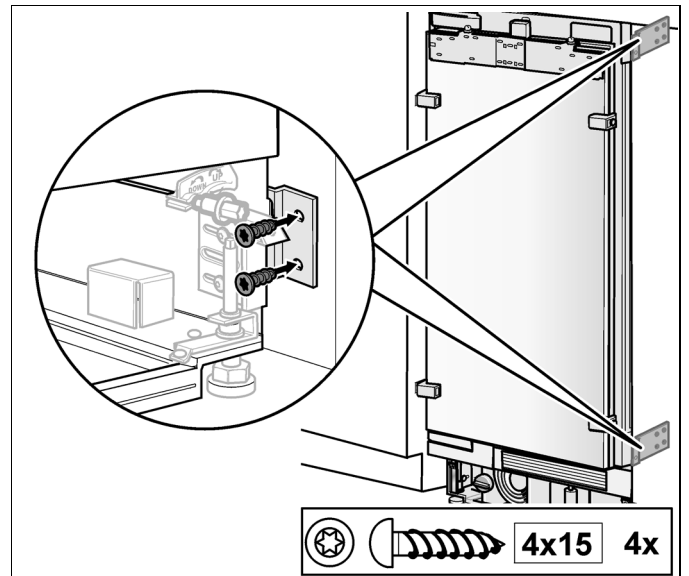


### Note:

If the installation is side-by-side, connect the cover rails of both appliances using the bolt from the installation accessories for side-by-side installation.

## 3. Fastening the appliance to the side wall of the installation niche

Screw on the bars of the fastening sheets (lateral) with the cabinet parts located next to them.



### Note:

In the case of a Side-by-Side installation this installation step is not possible. These parts have been removed.

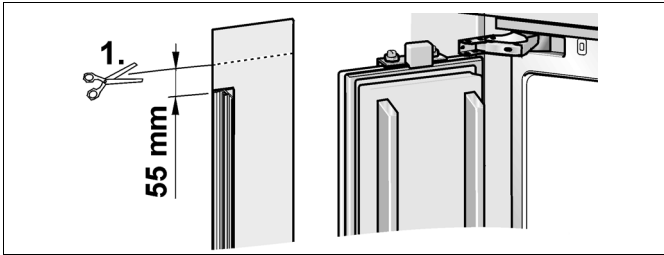


#### 4. Checking that the finger guard moves easily

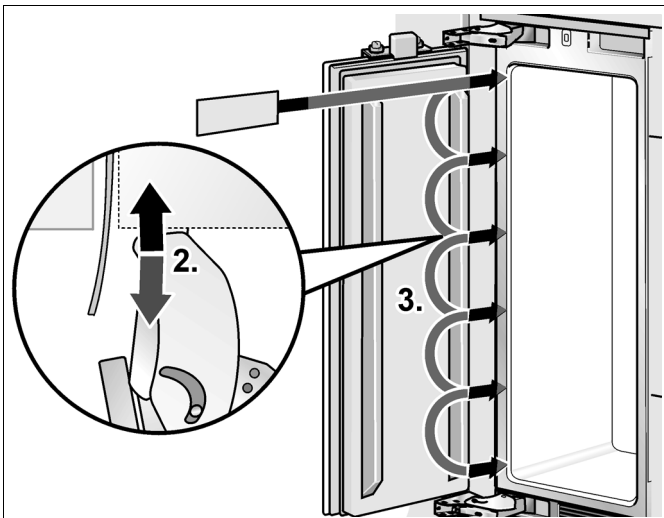
It is now essential to check that the finger guard moves easily. At a later time any required corrections will be more difficult.

##### Notes:

- The supplied finger protector can be used for both sides of the hinges.
  - Because of different installation possibilities, the finger protector has to be shortened to the required length.
1. Shorten the finger protector at the upper side above the covering strip by 55 mm.



2. Push the cut-off remnant on the hinge side into the gap between the appliance and cavity wall.  
The part must be easy to push in and pull out!
3. Ensure smooth running at all positions of the door.



The following is a special installation step. Instructions are provided after section D.

- Water connection see “Connecting the appliance to the water supply”.

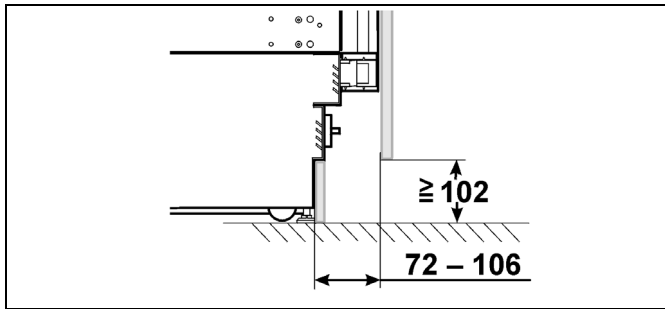


## 1. Fastening the plinth strip

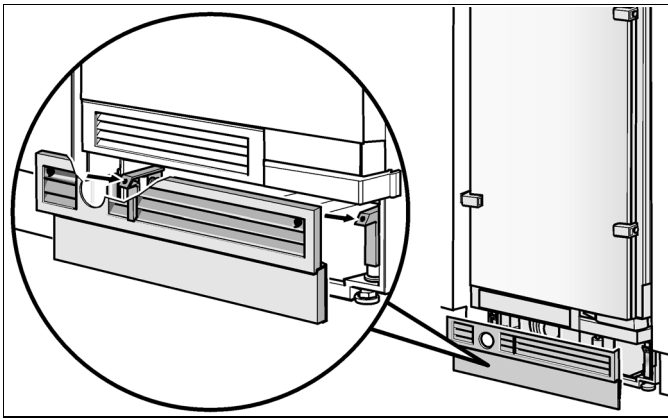
### Note:

Never cover the ventilation openings in the base panelling. Risk of damage to the appliance.

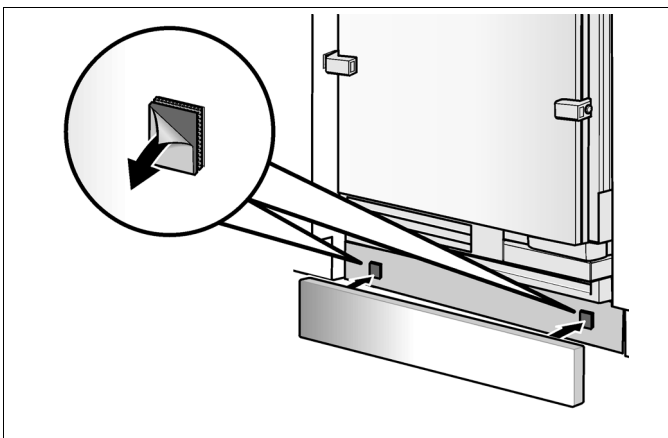
Nominal dimensions to be observed:



1. Where necessary, cut the base strip to the required length.
2. Place base cover on the appliance (do not screw on).



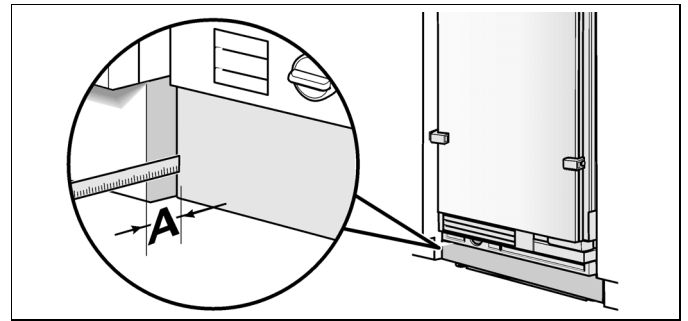
3. Take the protective film off from the adhesive pads on the Velcro strip.
4. Put the base strip onto the base panelling and push firmly.



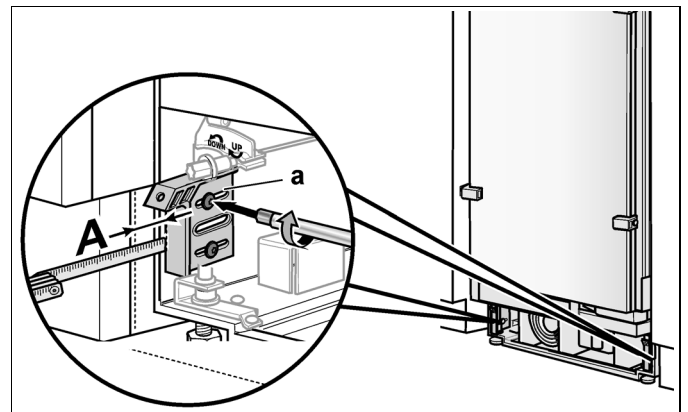
5. Base strip can be screwed to the base cover from behind. There are holes in the base cover for this purpose.

## 2. Aligning the base cover

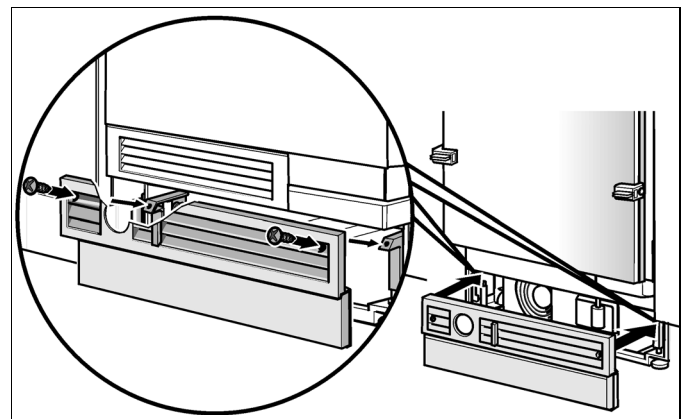
1. Place base cover on the appliance (do not screw on).
2. Measure the difference in depth **A** between the base panelling and the base strip of the adjacent lower cabinets.



3. Remove the base panelling again.
4. Adjust the brackets (a) to the dimensions **A** and tighten.



5. Fasten the base panelling.



### 3. Switching the appliance on for the first time

The appliance should now be switched on for the first time in order to ensure the accuracy of the following mounting steps and with it, the appearance of the entire kitchen frontage.

1. Open the appliance door.
2. Actuate the appliance's On/Off button.

#### Only for appliances with a water connection:

In the case of possible damage of the water mains, keep the shut-off tap closed in order to avoid the risk of damage from water coming out.

### 4. Preparing the furniture doors

#### Important note:

When working on the furniture doors, care should be taken to the following:

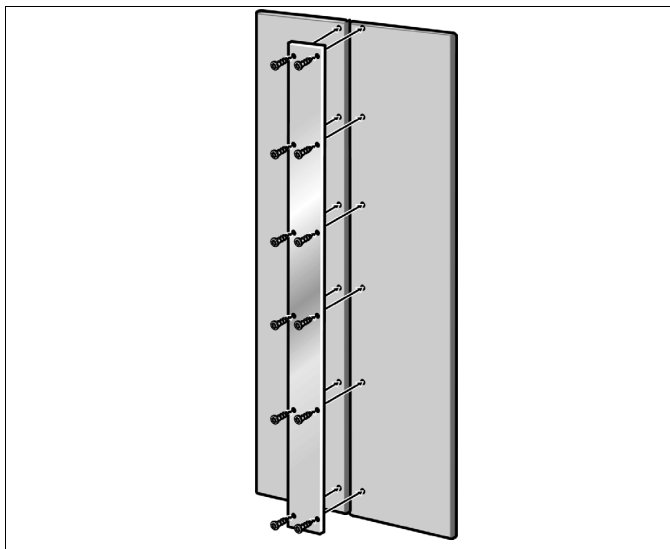
- Always carry out screwing jobs on the most stable part of the furniture door. Never screw into fillings or similar areas.
- Always selects screws with a length smaller than the thickness of the cabinet front.
- Protect the surfaces of the furniture doors during installation against damage.

The overall weight of the furniture door including the handle should not exceed the following values:

Appliance width	Overall width of the furniture door
45.1 cm	20 kg (8.5 kg *)
60.3 cm	25 kg (14.5 kg *)
75.6 cm	29 kg

\* Wine storage compartment

Instead of one large door, two furniture doors can be mounted next to each other in the case of appliances with a width of 76 and 91 cm. These furniture doors are then connected using a metal strip on the rear.



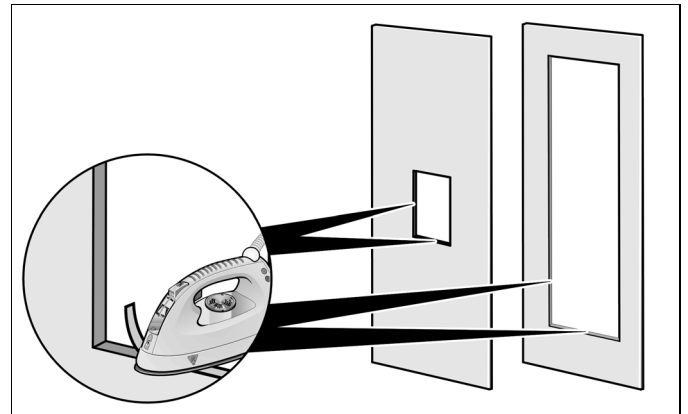
This metal strip is available from your dealer as an installation accessory (Connection element for furniture doors). For further information see section "Tools and Accessories which are needed".

#### Note:

The instructions for carrying out this work step can be found in the separate installation instructions for this accessory.

#### Important information for furniture doors with cutout (appliances with ice and water dispenser, wine storage cabinets):

The cut edges of the door cutout must be protected before humidity penetrates. To do this, use the means suitable for the material and the shape of the furniture door (e.g. edge veneer, edge sealant).

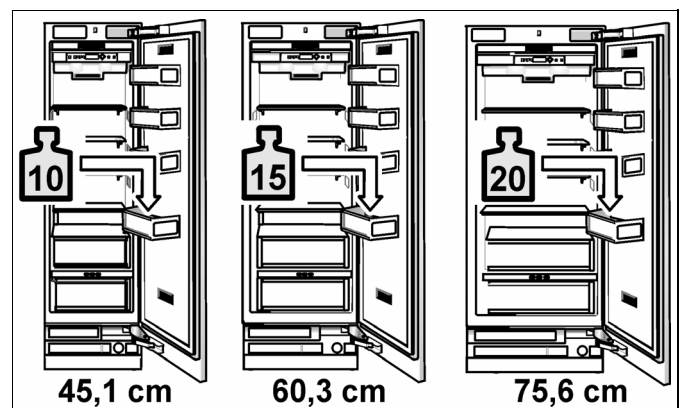


### 5. Loading the appliance door

When attaching the furniture doors it is recommended to load the storage sections in the door with weights in order to ensure that the when adjusting gap dimensions turn out to be as precise as possible.

Loading recommendations:

Appliance width	Loading of the appliance door
45.1 cm	10 kg
60.3 cm	15 kg
75.6 cm	20 kg

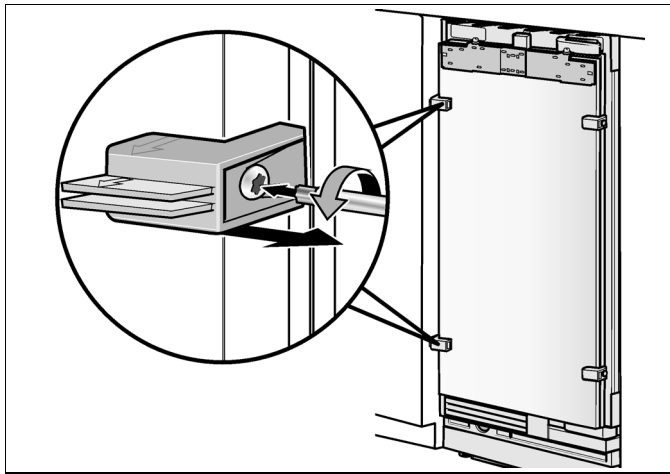


## 6. Removing positioning aids

Unscrew the positioning aids from the appliance door.

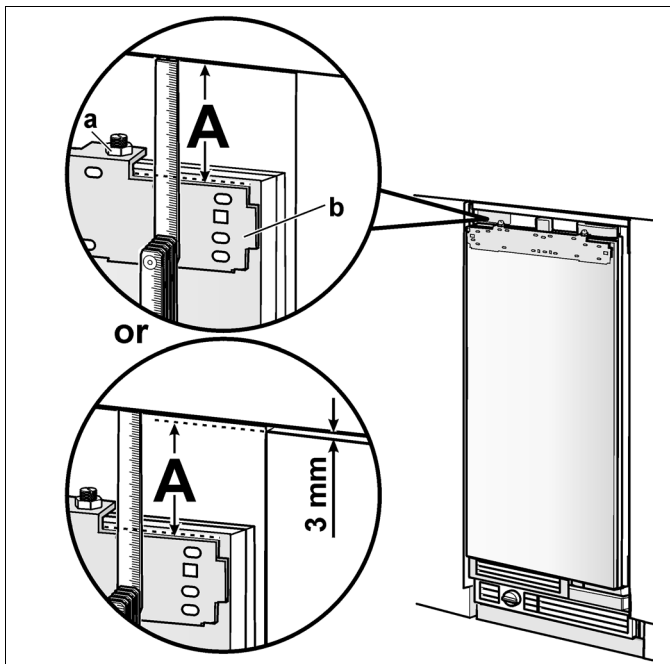
### Note:

The positioning aids will still be needed in the course of mounting.



## 7. Fastening the adjusting rail to the furniture door

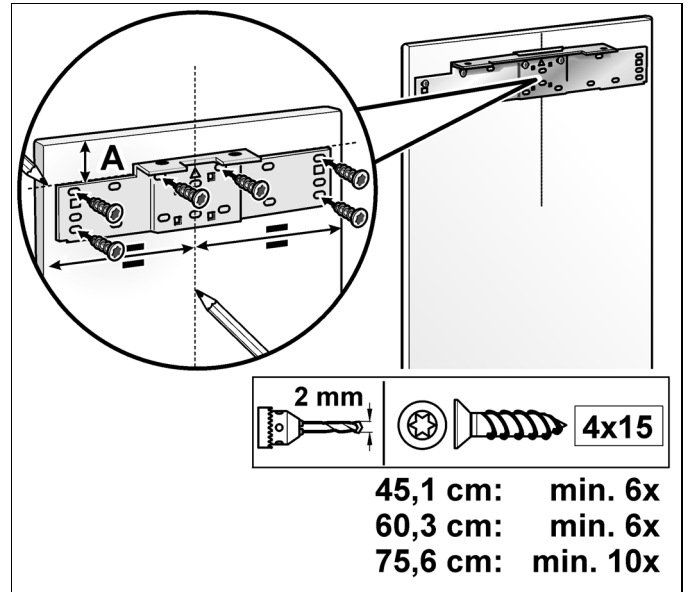
1. Measure distance **A** between the adjusting rail and the furniture parts above.



2. Loosen the two nuts (a) and remove the adjusting rail (b).
3. Mark this value **A** on the rear side of the furniture door.
4. Determine the middle of the door and label it.
5. Rest the adjusting rail on the furniture door and align to the markings. Mark the drill holes.
6. Pre-drill the holes.

7. Tightly screw the adjusting rail.

The minimum number of screws required for this depends on the width of the furniture door.

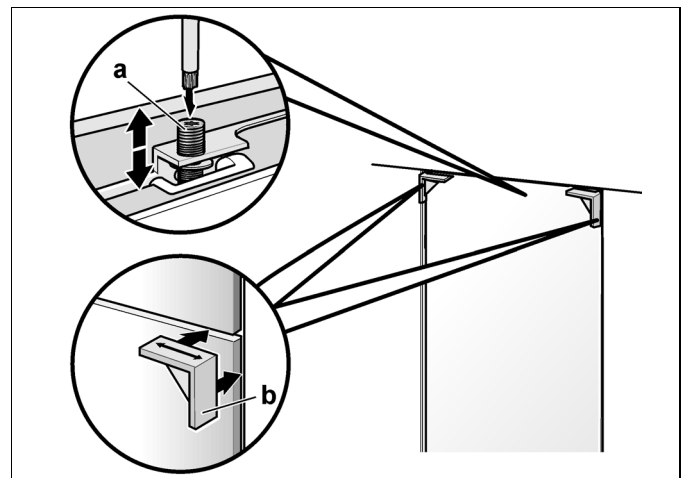


### Notes:

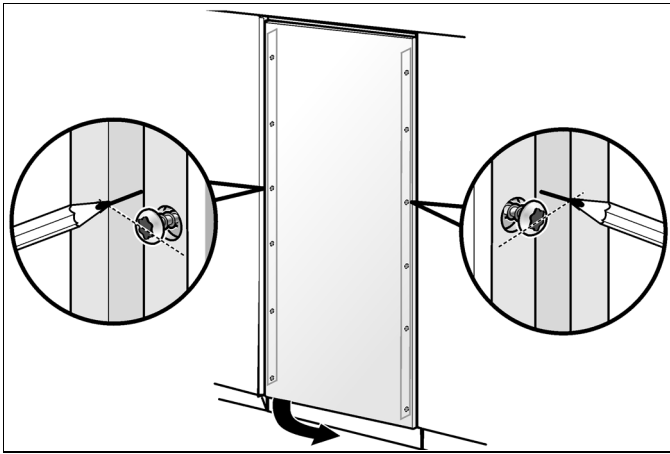
- One screw should be screwed in under the threaded rod in each case.
- The adjusting rail has a various holes for different furniture door design variations. Always carry out screwing jobs on the most stable part of the furniture door.

## 8. Fastening the fixing rib to the furniture door

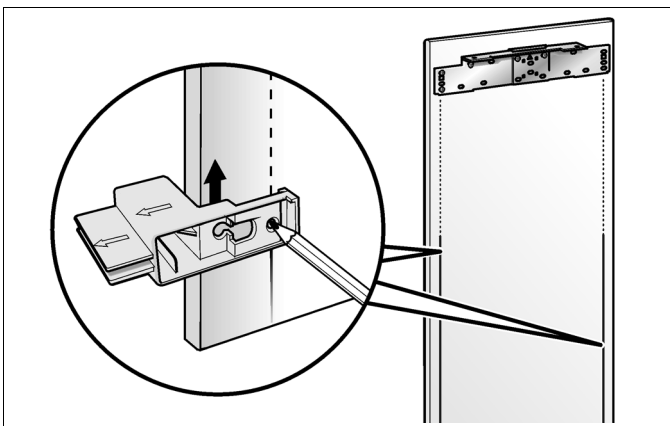
1. Hang the furniture door on the threaded rod (a).
2. Adjust the furniture door using the threaded rod (Torx screwdriver)  
Re-examine the dimensions of the gap continuously. To do this, use the assembly gauge (b).



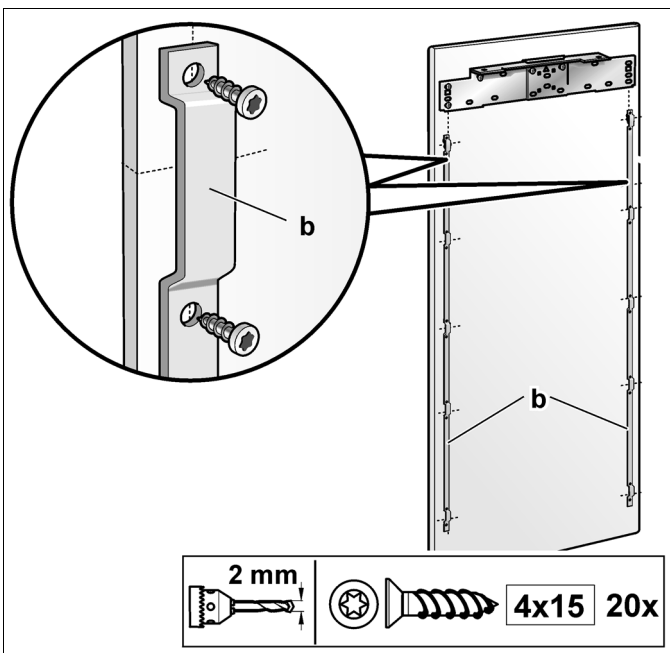
3. Transfer the position of the fastening screws on the outer edge of the appliance door to the furniture door and mark.



4. Remove furniture door.
5. On both lengths of the furniture door, draw a parallel with the help of the positioning aid.



6. Lengthen the markings to the parallels using an angle of contact.
7. Apply the fixing ribs (b) and mark out the holes.
8. Pre-drill the holes.
9. Screw on the fixing ribs (b).

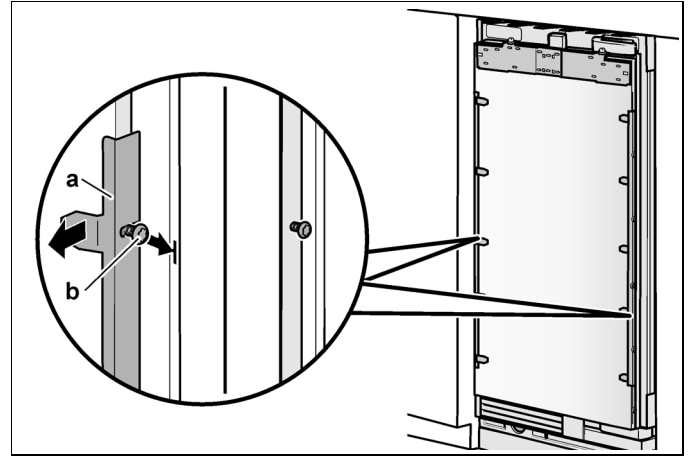


## 9. Mounting the furniture door

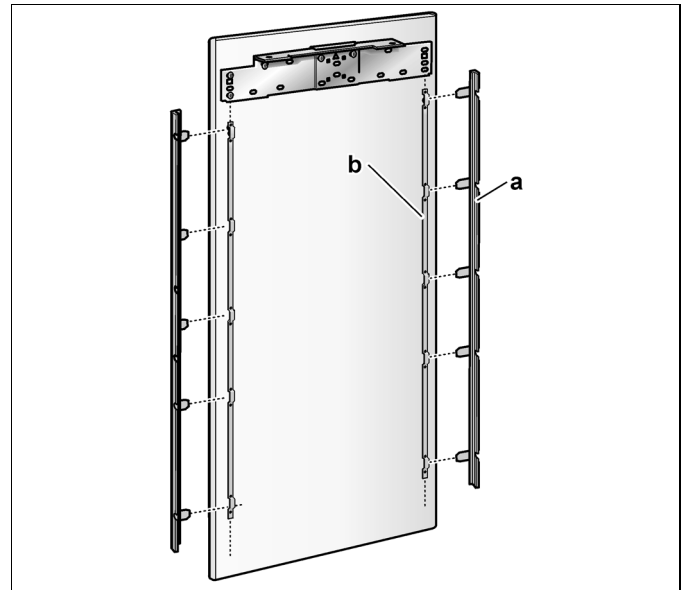
### Note:

Now attach the door handles which should have been screwed from behind!

1. Remove fixing bracket (a) from the appliance door. To do this, loosen the fastening screws (b) only.



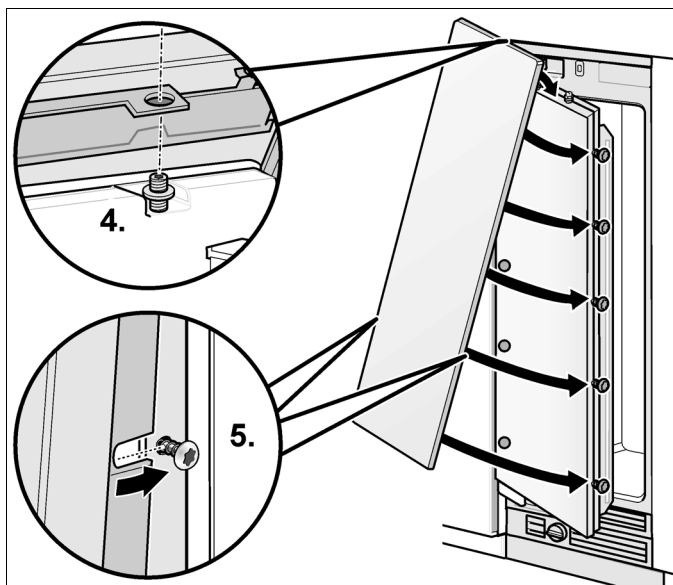
2. Insert the removed fixing brackets (a) into the fixing ribs (b) on the furniture door.



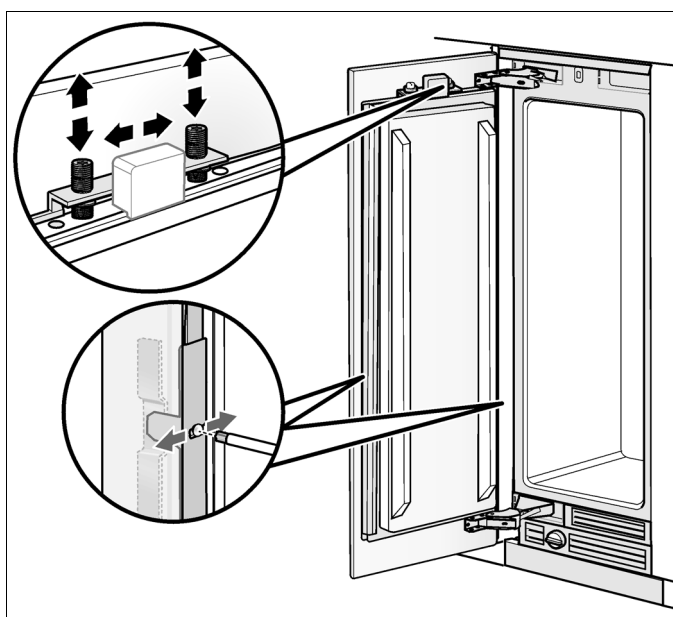
3. Open the appliance door.

C

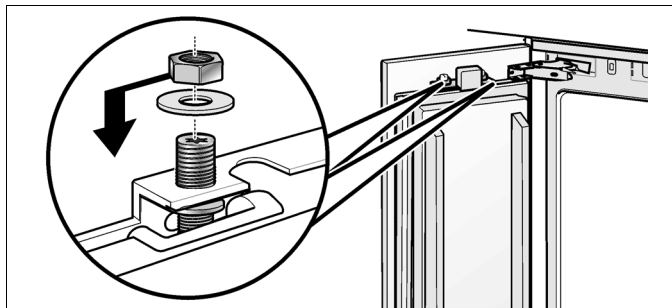
4. Hang furniture door with the adjusting rail onto the threaded rods.
5. Lower furniture door and push the fixing brackets down over the fastening screws on the appliance door.



6. Adjust the furniture door using the threaded rod (Torx screwdriver) Re-examine the dimensions of the gap continuously.
7. Close the door and re-examine to make sure that the depth of the cabinet frontage corresponds with the adjacent lying fronts. Correct if necessary.
8. Tighten the fixing anglescrews in order to fix the depth adjustment.
9. Close the door and check the lateral adjustment. Correct the adjustment by lightly banging on the edge of the open door by hand.



10. Screw nuts onto the threaded rods of the adjusting rail and tighten! This way, the lateral adjustment of the door is fixed.



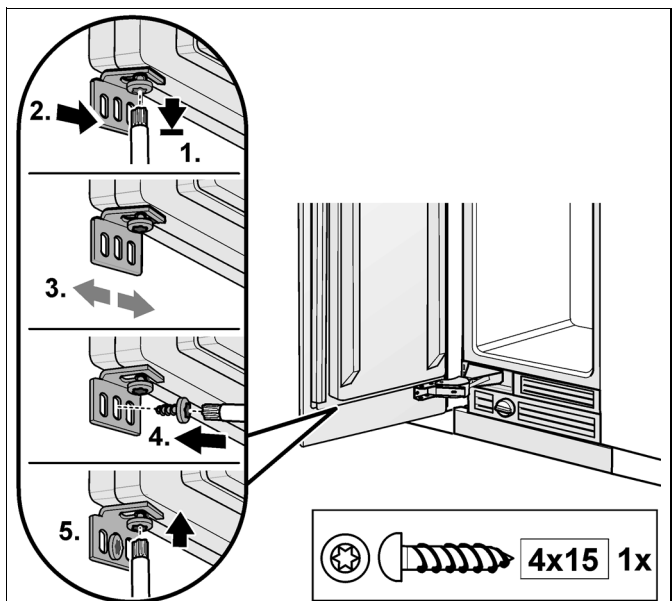
## 10. Screw on the lower fixing angle

The lateral adjustment of the door is fixed through the lower fastening angles.

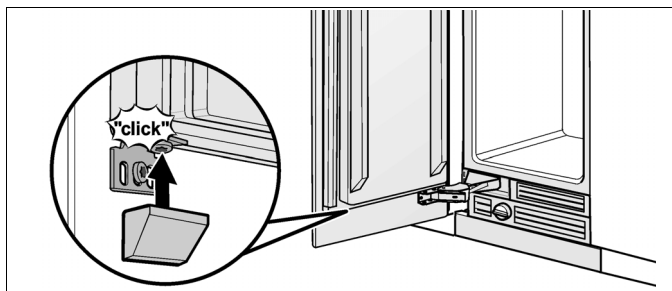
The number of the lower fastening angles depends on the width and the design of the furniture door.

Screw on lower bracket. Pre-drill holes into the furniture door!

1. Loosen screw.
2. Push bracket over the screw.
3. Check the lateral position of the door.
4. Screw in the wood screws.
5. Tighten the screws.



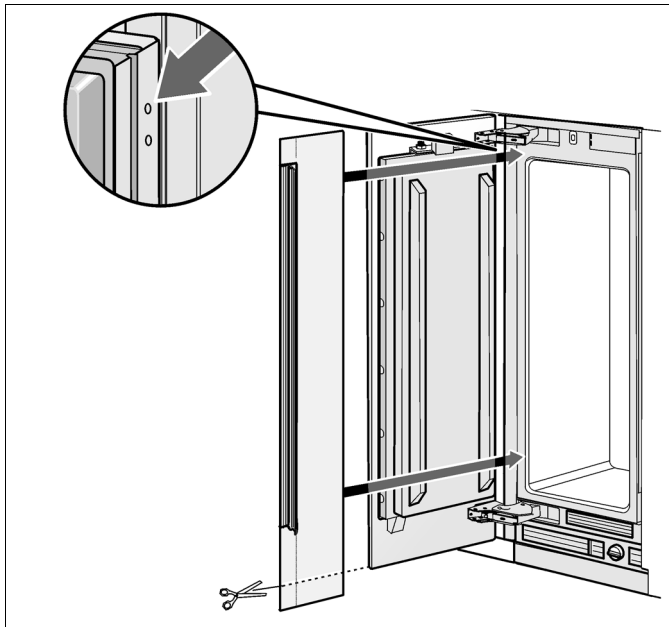
6. Insert the coverings via the fixing angle.



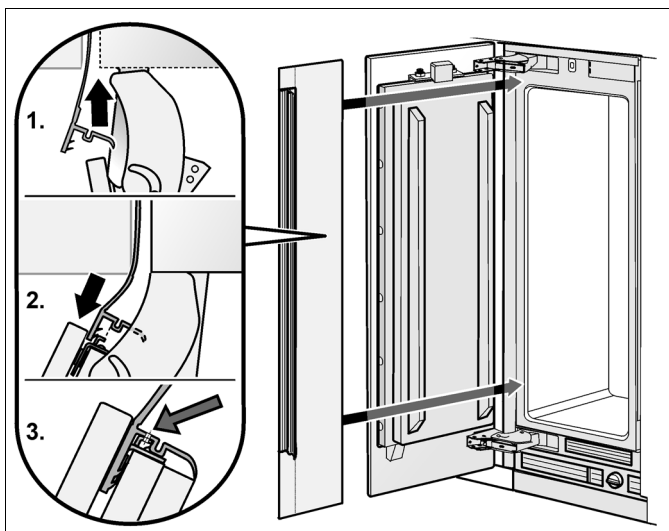
## 1. Fasten the finger protector

1. When positioning the finger protector at the door, ensure that the fixing holes in the cover strip correspond with the boreholes in the fixing brackets.

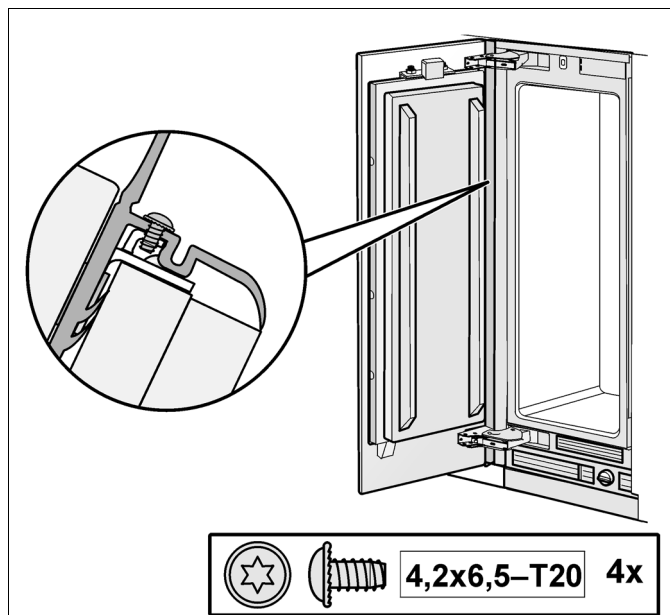
Mark now the bottom edge of the finger protector and shorten accordingly.



2. Push the finger protector into the gap between the appliance and the niche wall (1.).
3. Press the cover strip of the finger protector from top to bottom between the front of the furniture and the door of the appliance (2.). Ensure that the fixing holes in the cover strip correspond with the holes in the fixing brackets (3.)!



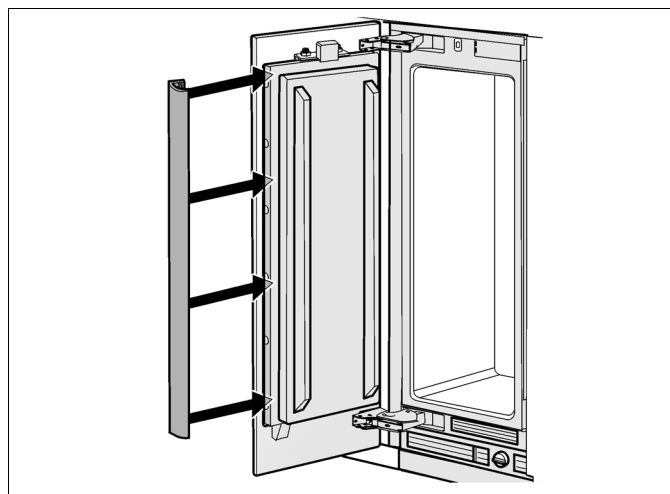
4. Attach the finger protector with the screws on the fixing brackets.



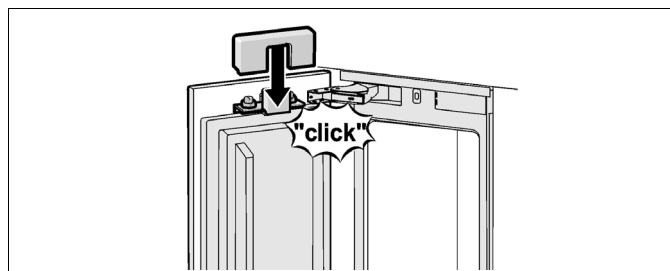
5. Test functioning and smooth running of the finger protector by repeatedly opening and closing the door.

## 2. Attaching the covers

1. Attach the cover rail.

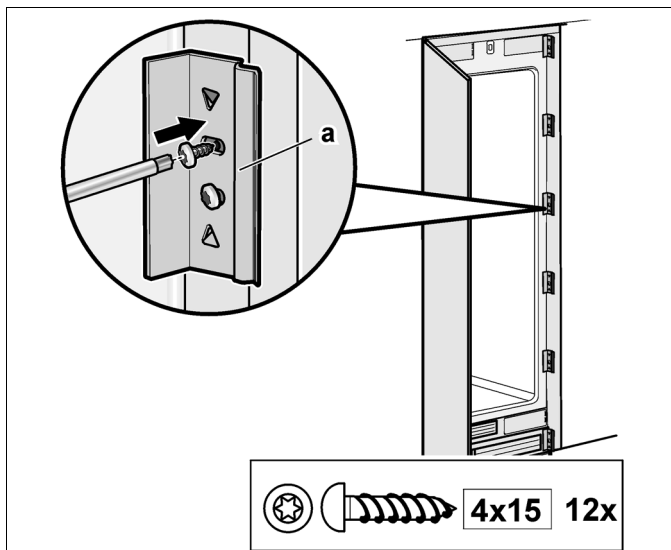


2. Attach the light switch cover. The light switch cover can be screwed to the door.

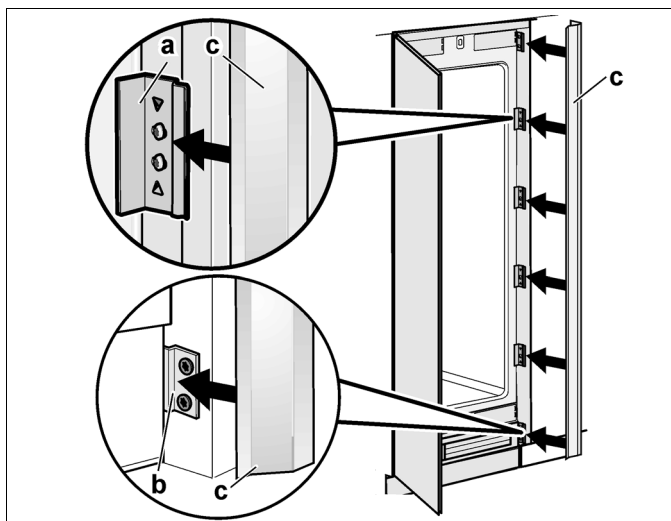


**Only in the case of individual appliances:**

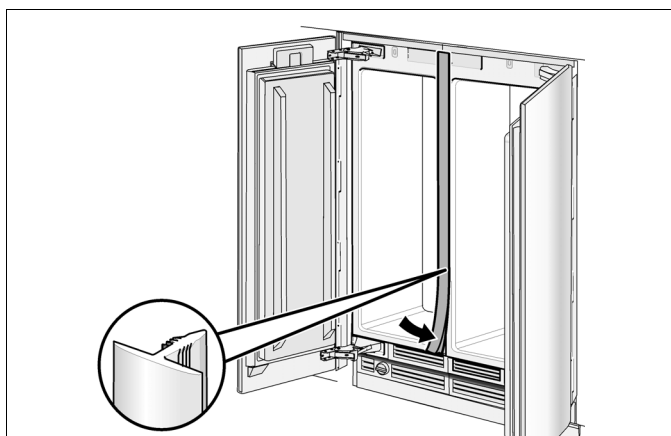
1. Screw on the angle (a) for fastening the cover ribs.



2. Attach the cover ribs (c) to the fastening sheets (b) and the angles (a).



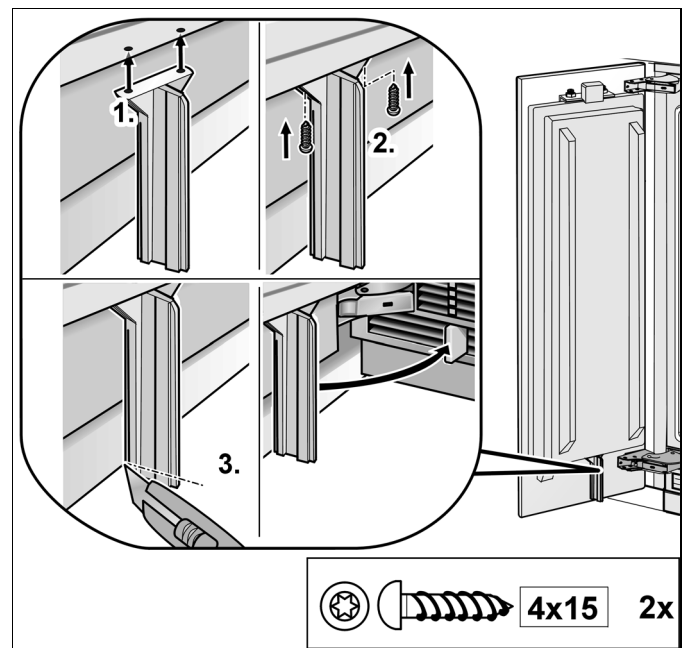
**Only in the case of a side-by-side set up:**



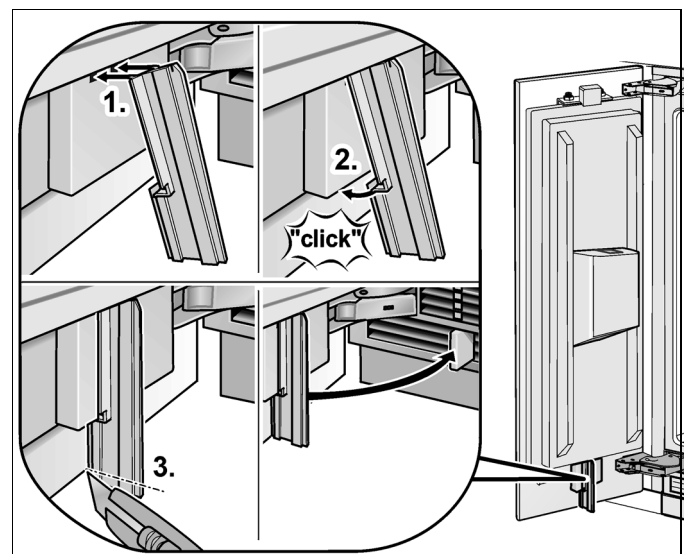
Insert the cover rib in the gap between the appliances.  
The cover rail is included in the installation accessories for side-by-side installation.

### 3. Mounting the air separator

Using the air separator, air which is supplied and drawn from the appliance is fed separately, in order to avoid reduced operating capacity.



**Only in the case of freezers with ice and water dispenser:**



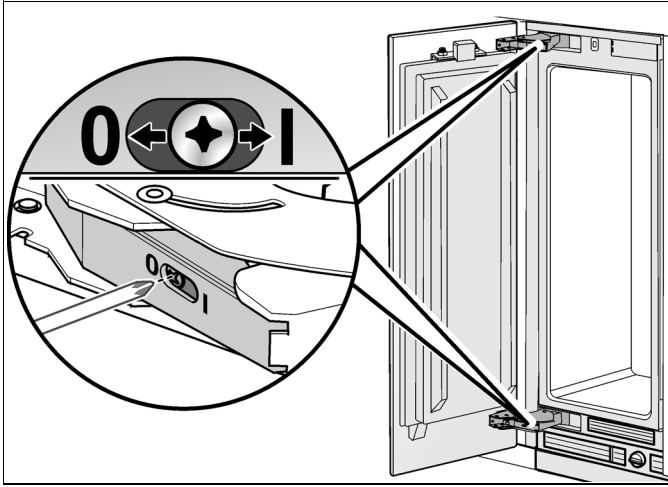


#### 4. Tensioning the hinge springs

Turn the setting screw with a cross head screwdriver.

I = Spring tensioned

0 = Spring released



The following are special installation steps. Instructions are provided after section D.

- Ice water dispenser, see “Aligning ice and water dispenser”.
- Cover strips for the wine cooler, see “Attaching covering strips”.
- Door opening angle see “Setting the door opening angle”.

D

**Installation of the appliance is now complete.**



## Special installation steps

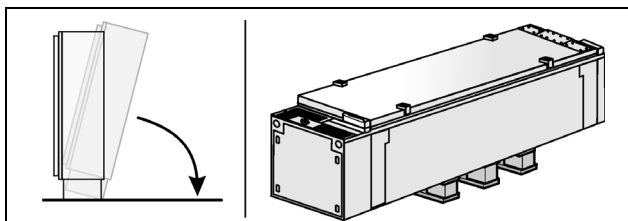
### Changing over the door hinges

#### ⚠ Warning:

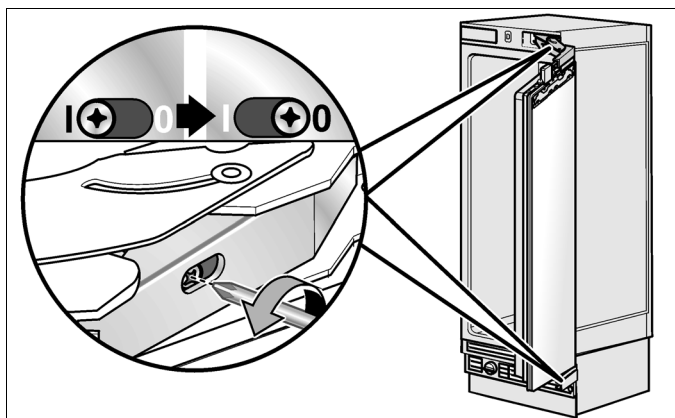
Before carrying out any work to the door hinges, release the spring pressure – risk of injury!

#### Notes:

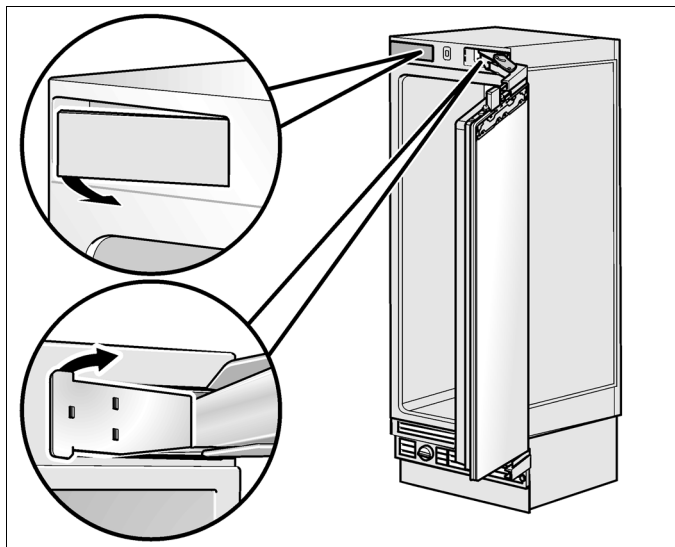
- The door stop cannot be exchanged in the case of freezers with ice and water dispensers.
- It is easier to change over the door hinges if the appliance is placed on its back (place transport pallet underneath).



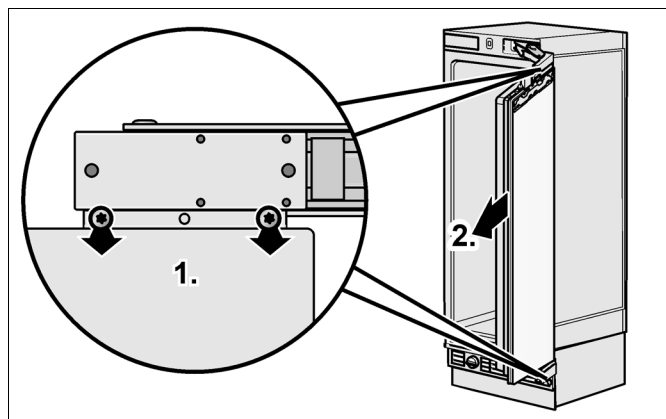
1. Release the spring pressure on the hinge. In addition, set the screw from I to 0.



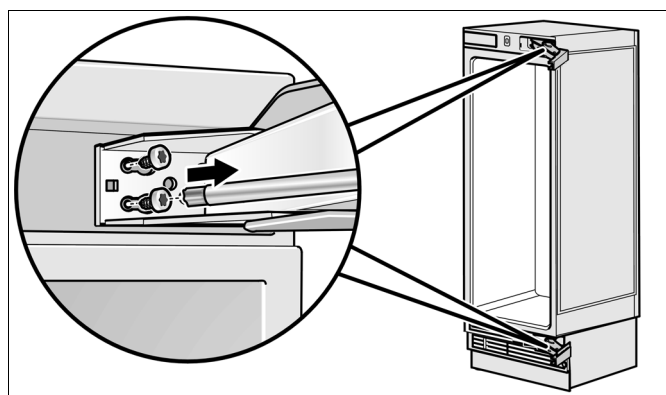
2. Remove the hinge covering.



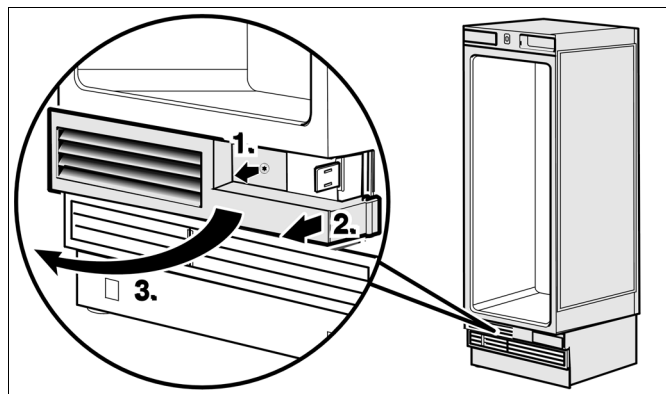
3. Unscrew the door.



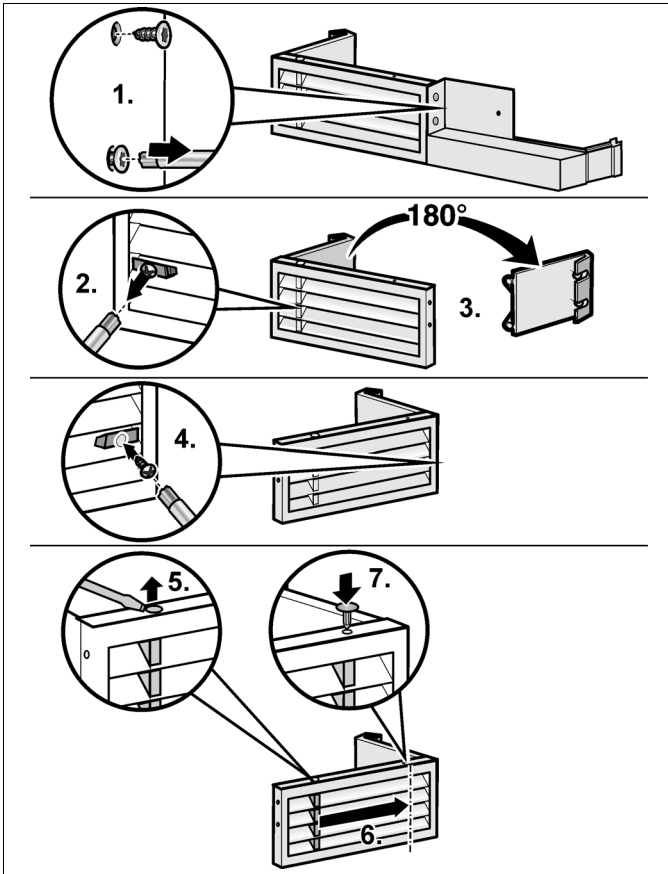
4. Remove the hinges.



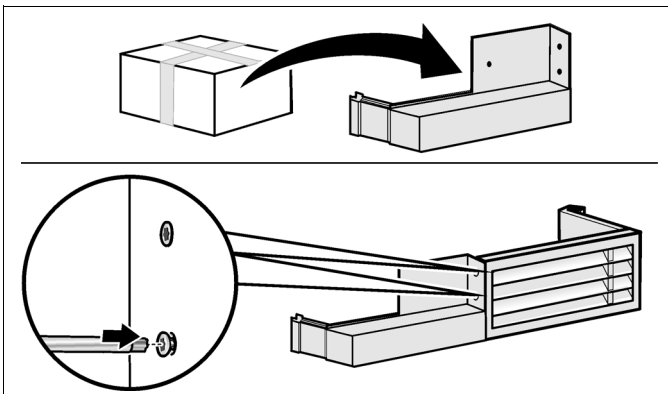
5. Remove ventilation grille.



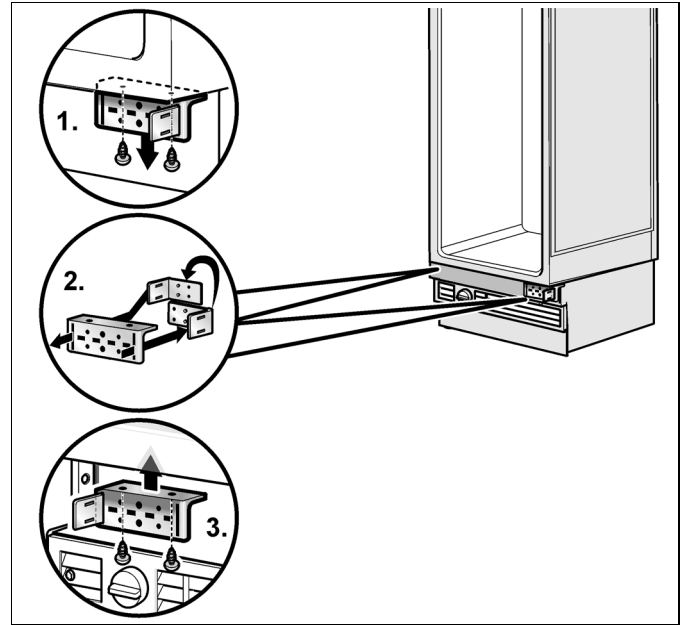
6. Re-attach ventilation grille for the changed door hinges.



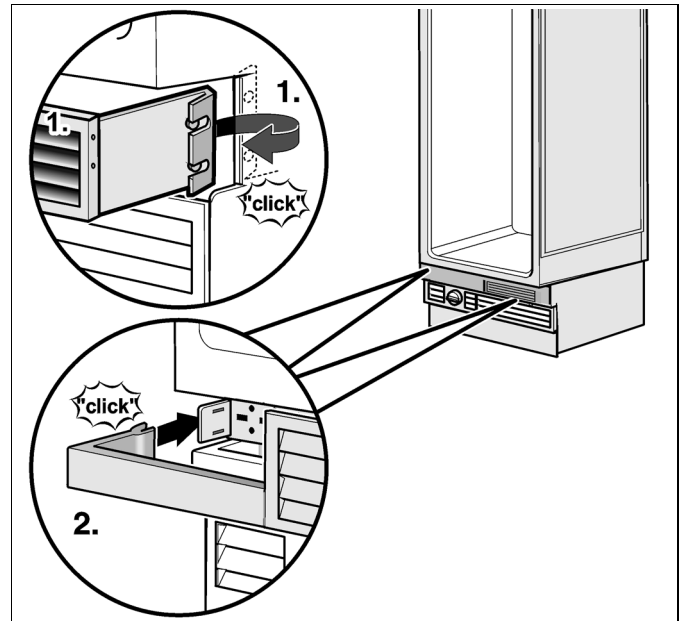
A replacement part for the ventilation grille is enclosed with the appliance for adjustment to the changed door hinges.



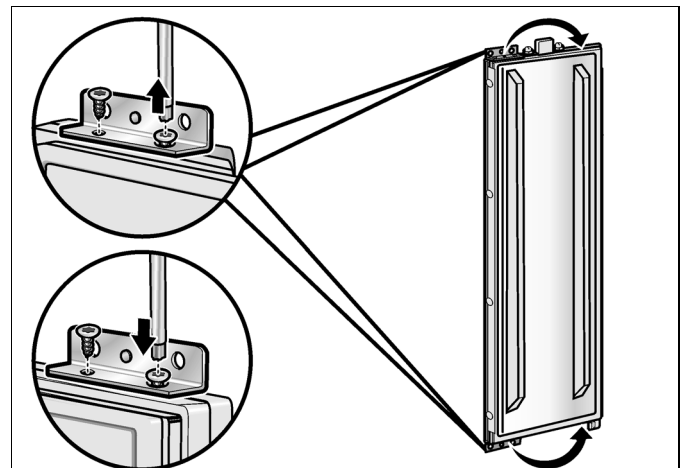
7. Swap the hinge angle to the other side.



8. Attach ventilation grille.

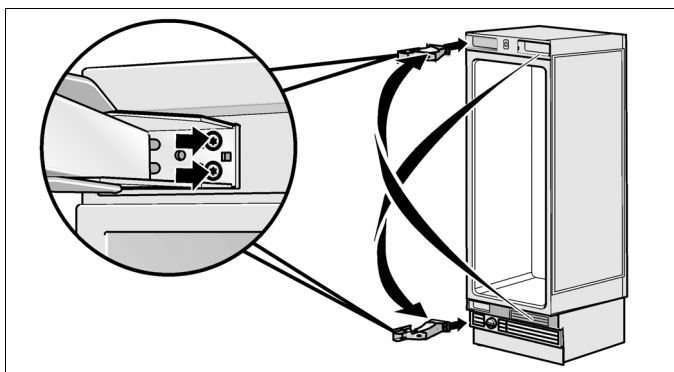


9. Swap the fixing parts on the door to the other side.

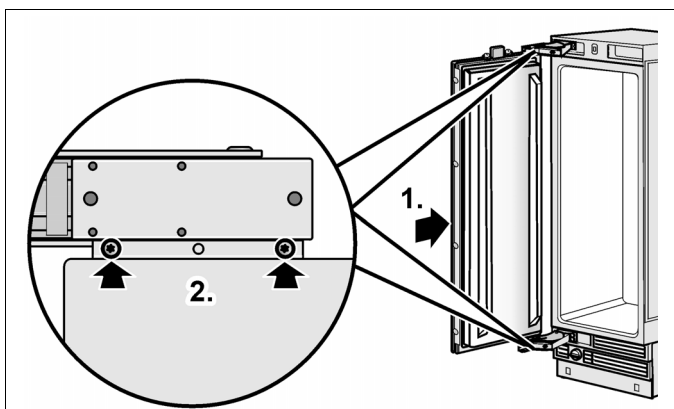




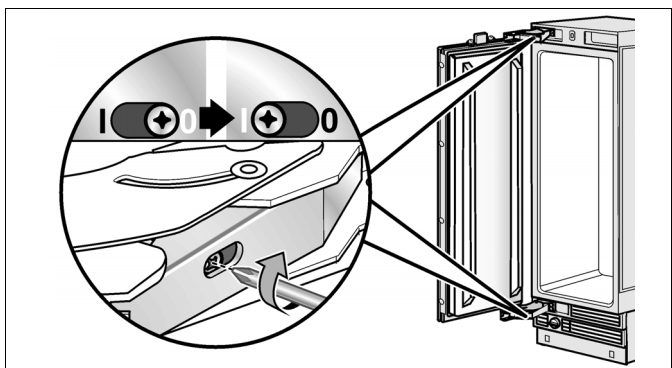
10. Attach the hinges to the appliance. Exchange the hinges crosswise!



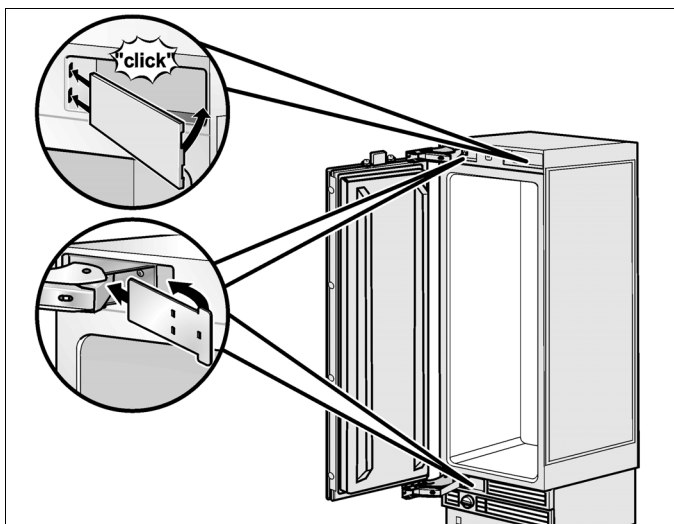
11. Screw the door to the hinges.



12. Tighten the screw. In addition, set the screw from I to 0.



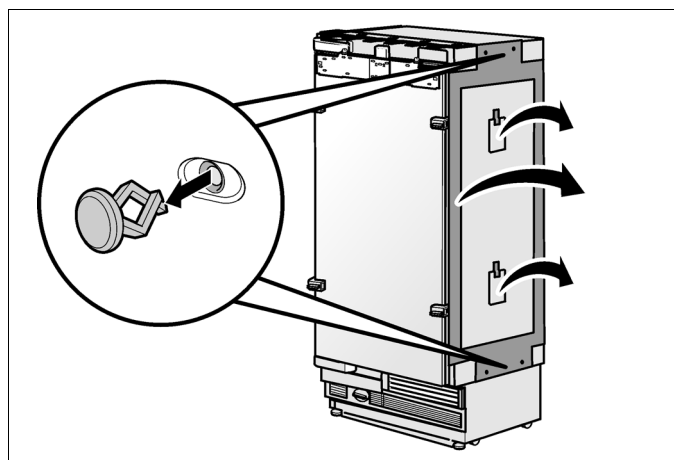
13. Attach the hinge covers.



## Removing/changing the sealing mat

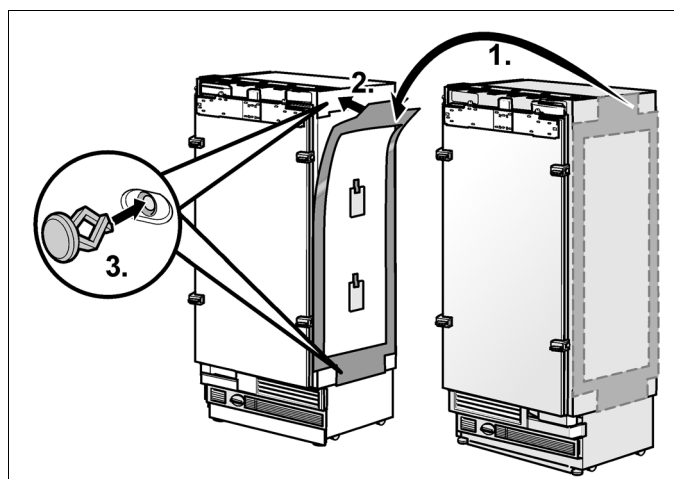
Freezers are fitted with a sealing mat at the factory for side-by-side installation.

If a single appliance is installed, the sealing mat is not required and can be removed.



The sealing mat is essential for side-by-side installation.

If the door hinges were fitted to the other side of the door, the sealing mat must also be moved to the opposite side of the appliance.

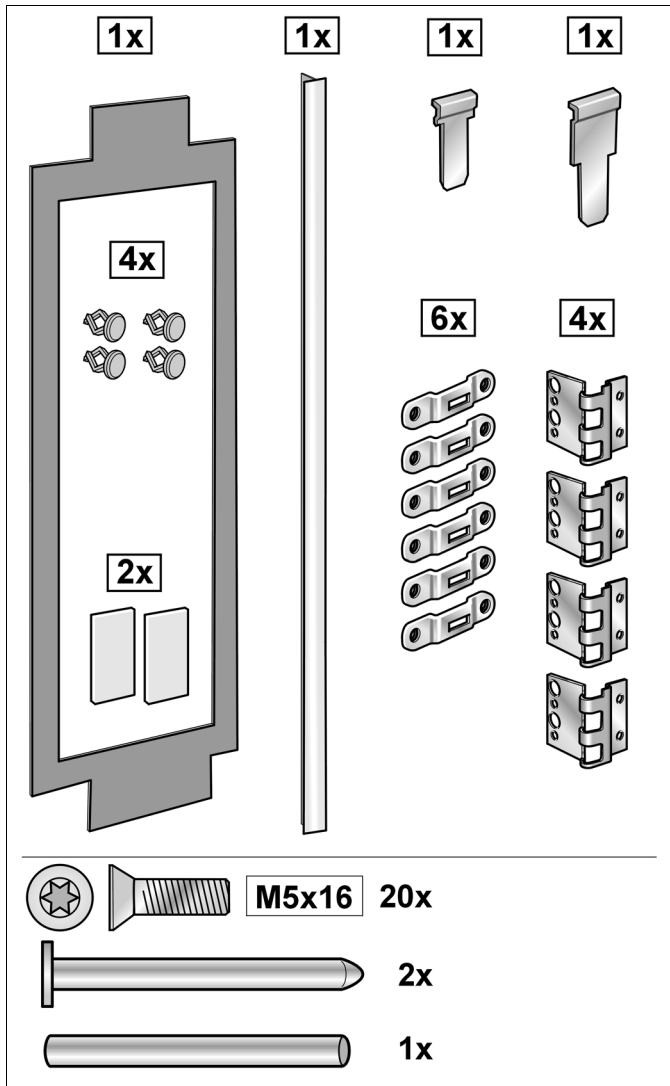


## Side-by-Side set up

If a side-by-side set up of two appliances is envisaged, connect the two appliances to one another now.

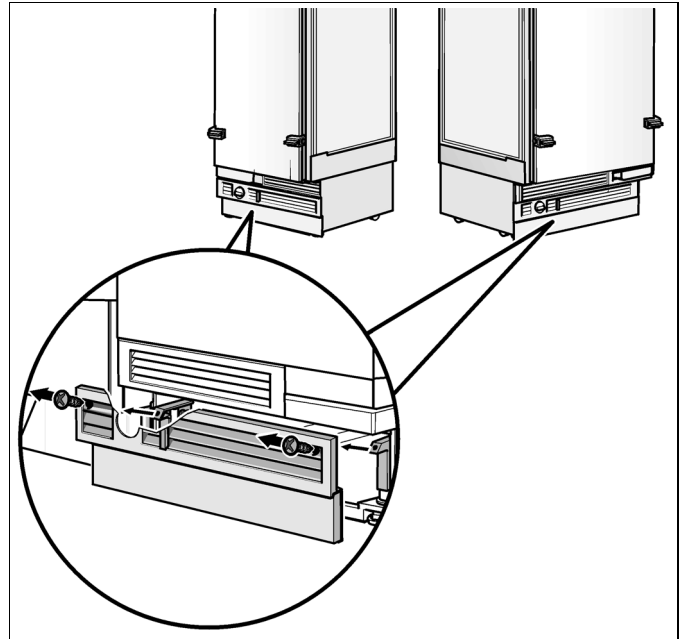
1. Unpack the installation accessories for side-by-side installation and check that none of the accessories is missing.

Keep ready the anti-tilt brackets as an installation aid.



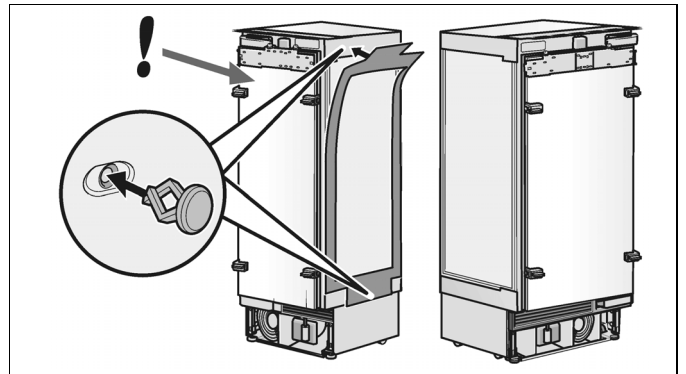
2. Place appliances side-by-side in the planned installation configuration.

3. Unscrewing the base panelling.

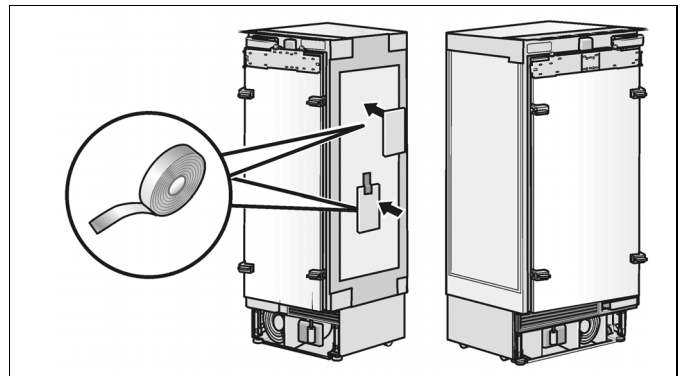


### Notes:

- Freezers are fitted with a sealing mat at the factory for side-by-side installation. In this case continue with Step 6.
  - Always attach sealing mat to the appliance situated on the left.
4. Place sealing mat on the appliance and secure with the attachment pins.

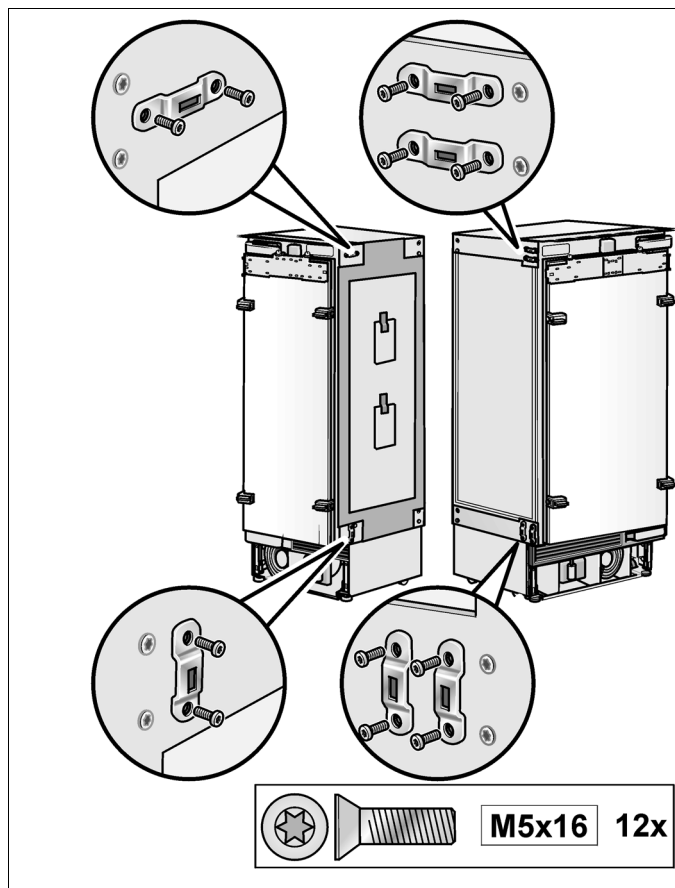


5. Attach the moisture-absorbing strips from the installation accessories for side-by-side installation to the side panel using adhesive tape.

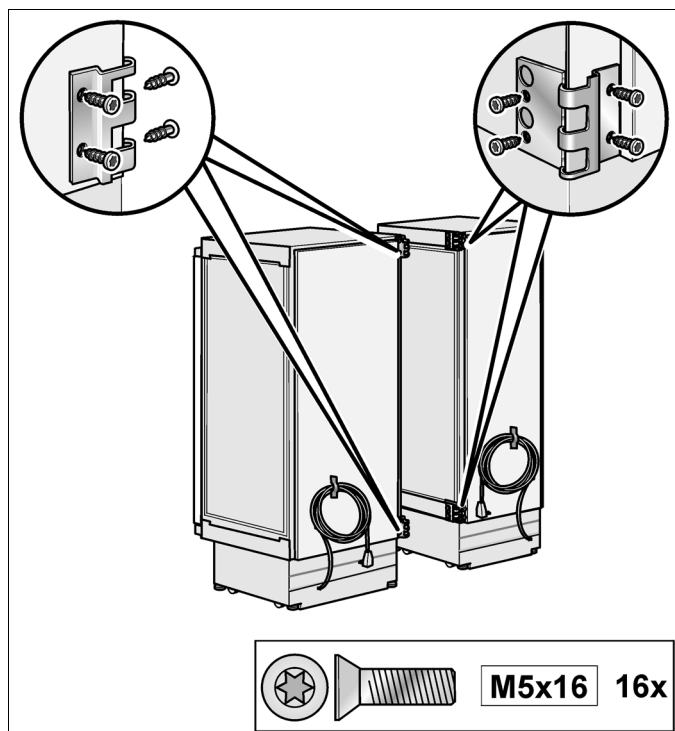




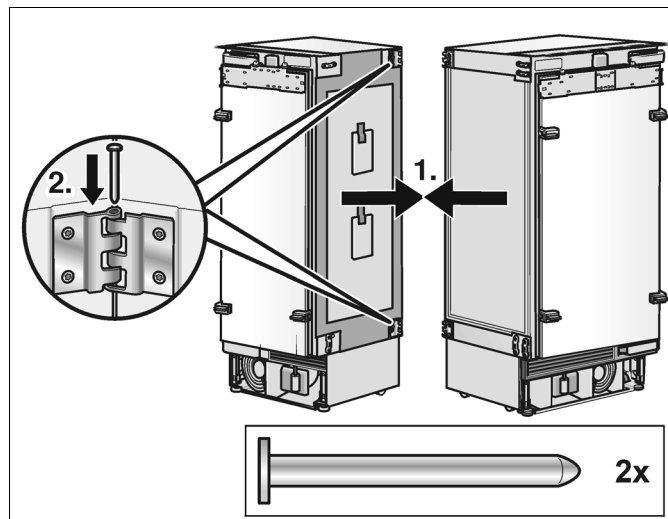
6. Screw the connection clamps from the installation accessories for side-by-side installation to the side of both appliances. Note the position of the clamps!



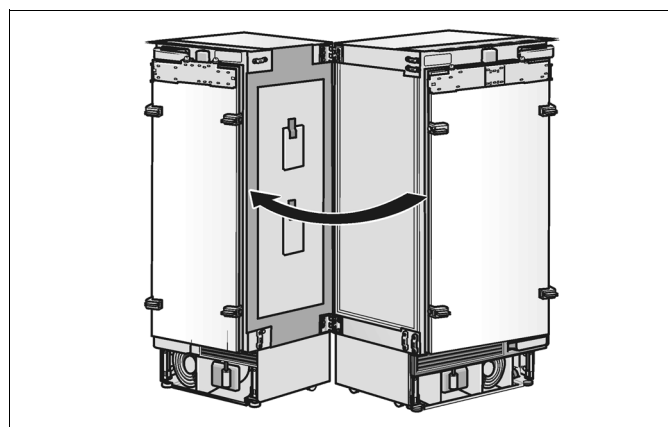
7. Screw the angle brackets from the installation accessories for side-by-side installation to the handle side of both appliances.



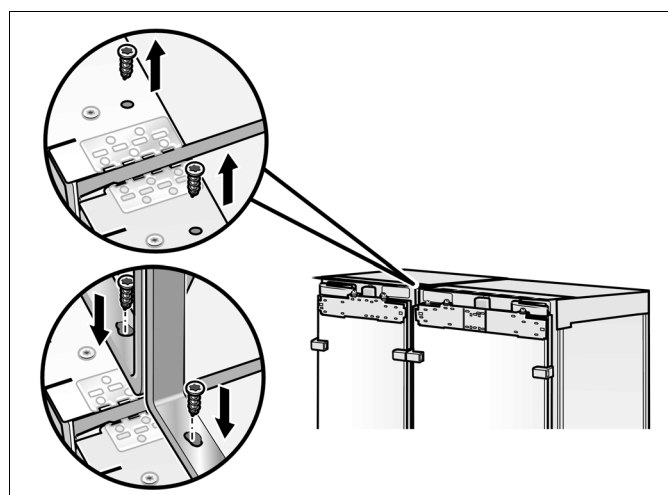
8. Push the appliances together until the angle brackets interlock.
9. Insert pins through the angle brackets.



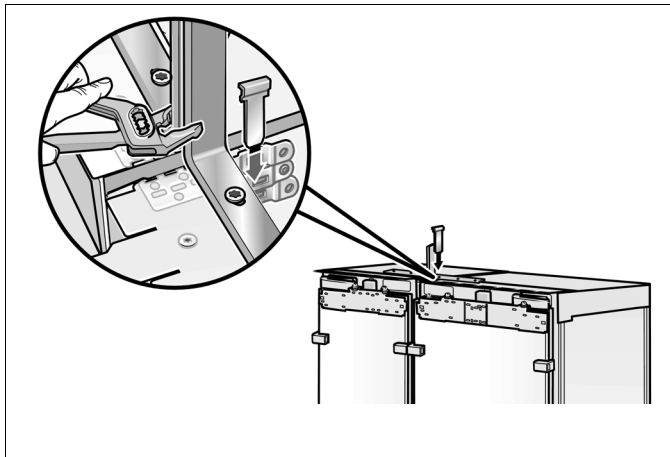
10. Push front of appliances completely together.



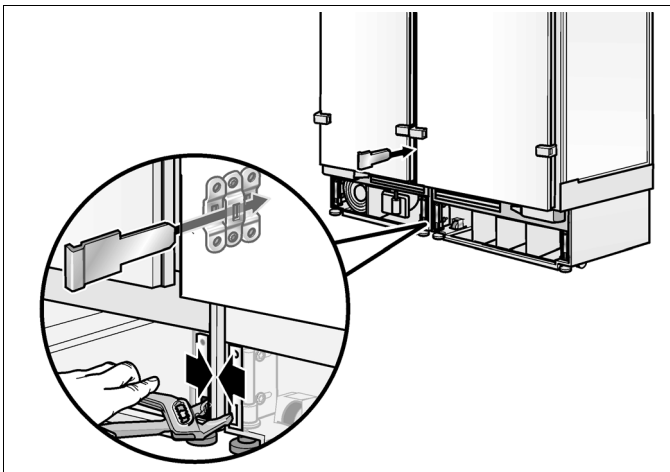
11. Unscrew screws from the top of the appliance and in their place screw on the anti-tilt brackets as installation aid.



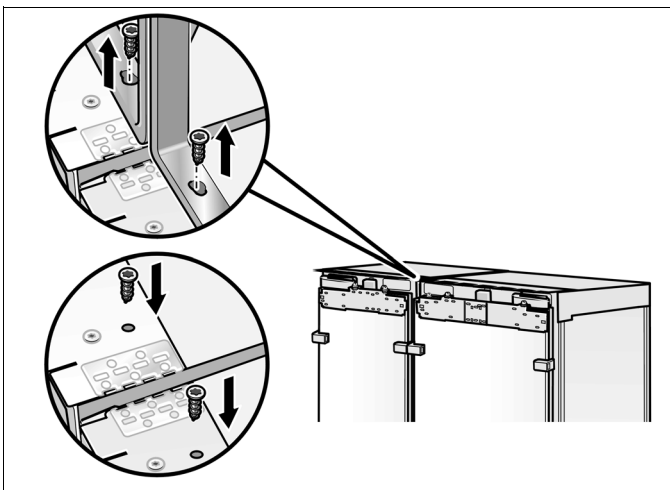
12. Press appliances completely together by gripping the installation aids with water pump pliers.
13. When the appliances have been pushed completely together, push the bar from above through the connection clamps.



14. Press appliances completely together by gripping the appliance base with water pump pliers.
15. When the appliances have been pushed completely together, push the bar from the front through the connection clamps. Use a suitable tool to insert the bar all the way.



16. Remove installation aids.



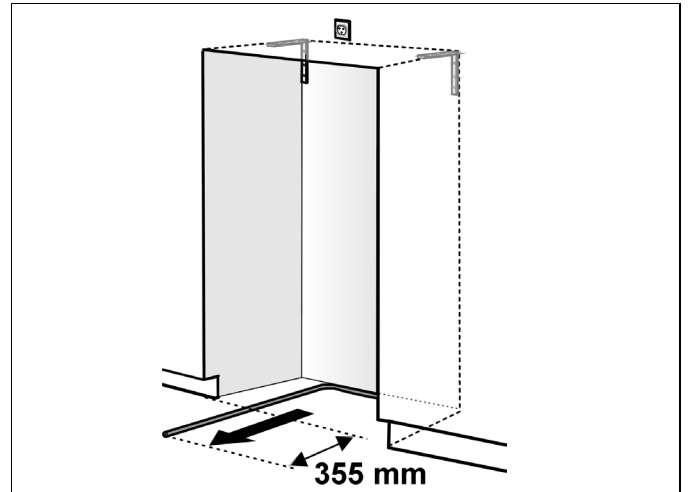
## Preparing the water connection

(only for appliances which require a water connection)

### Note:

Turn off the main water tap in order to avoid damage from escaping water.

1. Connect connection line to the shut-off valve.
2. Lay the connection pipe. Always keep to the given installed area in order to avoid damaging the connection pipe when sliding the appliance in later.



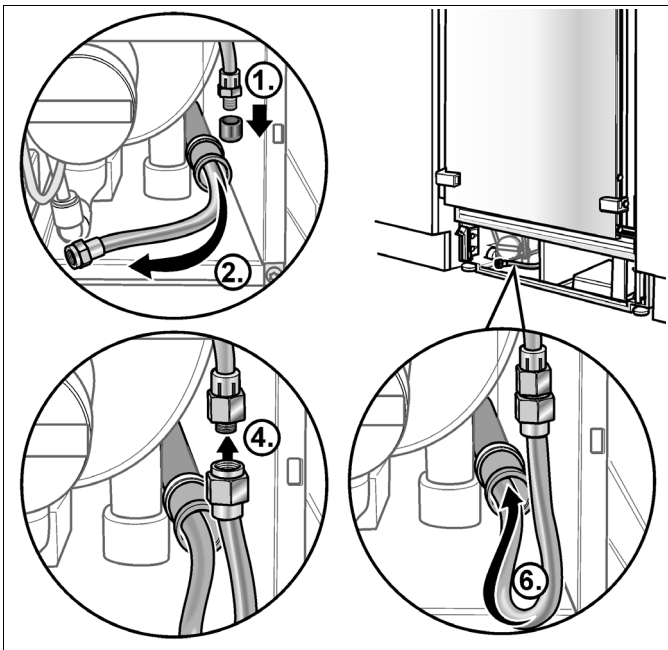
## ? Connecting the appliance to the water supply



### Note:

Do not kink the connection pipe when bending it, otherwise there is a risk of leaks and water damage.

1. Remove the plugs from the appliance connection.
2. Lay the water hose such that it ends at the appliance connection.
3. Slide the union nut and the sealing element onto the water hose.
4. Attach the water hose to the appliance connection and screw on the union nut.
5. Screw the union nut tightly using the fixed spanner. Do not over tighten!
6. Push water hose back as far as possible into the protective pipe.



7. Turn the shut-off valve and the main water tap.
8. Re-examine the point of connection at the shut-off valve and the appliance connection for leaks.
9. Close the shut-off valve.

## Aligning ice and water dispenser

(only in the case of freezers with ice and water dispenser)

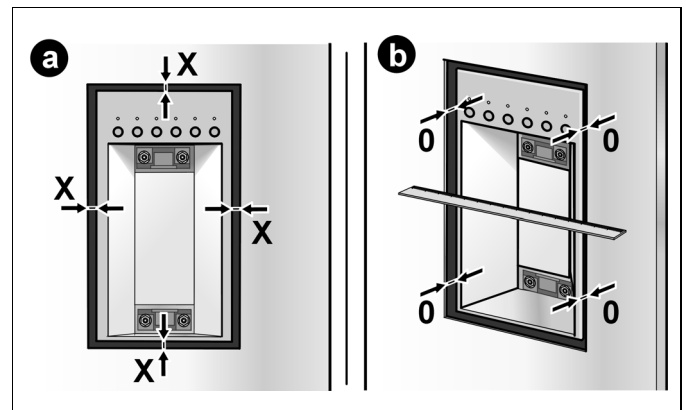
### Note:

Avoid misaligning the door while aligning the ice and water dispenser!

The ice and water dispenser can be adjusted within the section of the furniture door. In this way, it is possible to undertake parallel adjustment to the furniture door in order to achieve an optimal overall impression.

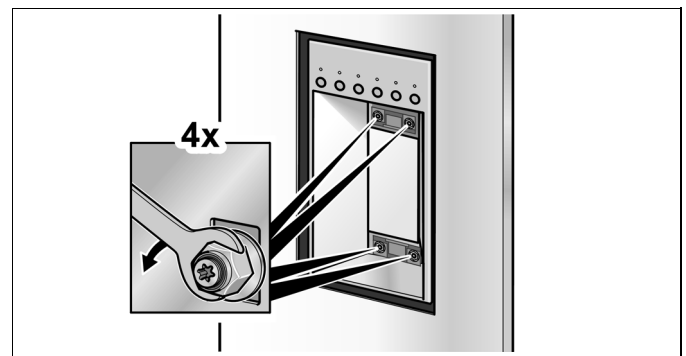
The gap must be exactly the same all the way round (a) and

the front surface of the ice and water dispenser must be aligned exactly parallel with the door front (b).

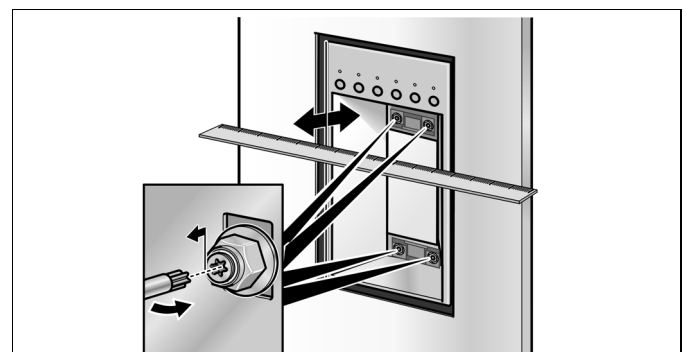


### Aligning ice and water dispenser:

1. Loosen the nuts on the 4 setting screws with a wrench.

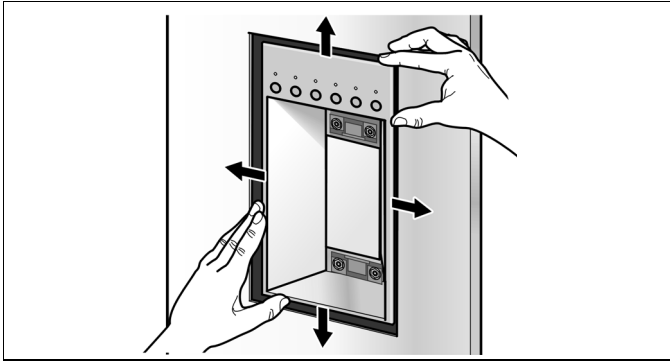


2. Use a Torx screwdriver to align the depth of the ice and water dispenser on the setting screws. Use a ruler as positioning aid.

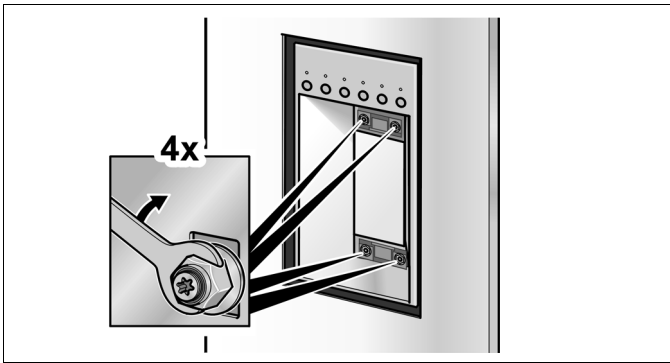




- By moving by hand align the ice and water dispenser exactly lateral and in the high to ensure that the gap is exactly the same all the way around.

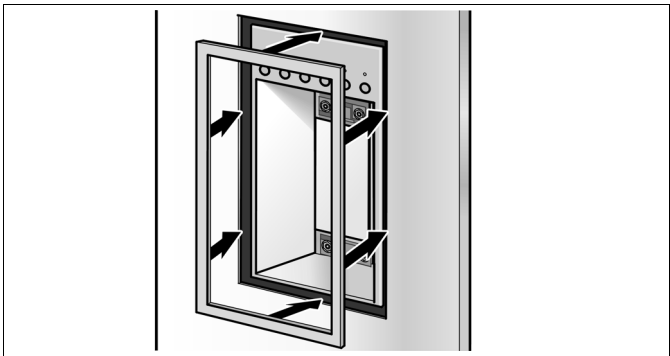


- Retighten the nuts on the setting screws to fix the adjustment.

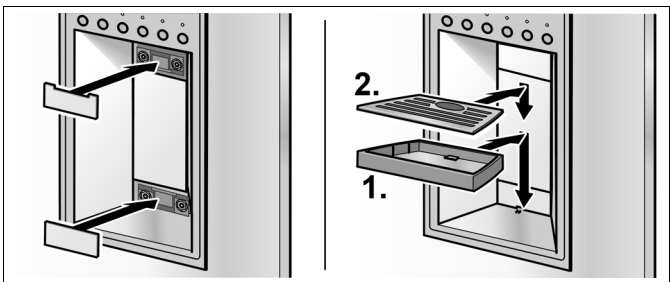


- Slide in the covering frame provisionally to check the adjustment.  
The lateral spacing around the ice and water dispenser must be exactly the same. Correct if necessary.

- Slide in the covering frame and push firmly.



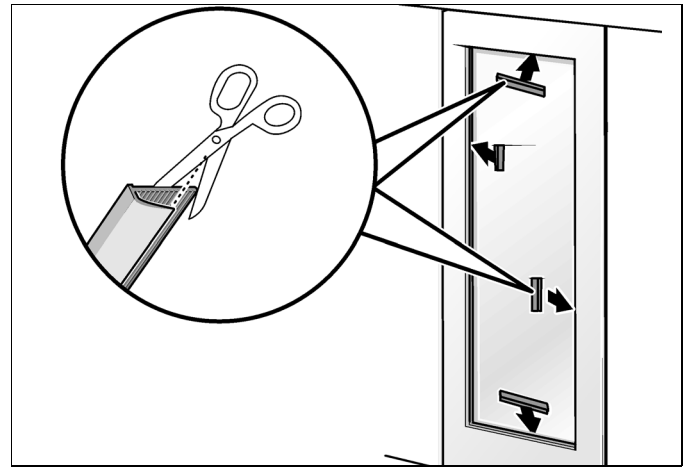
- Insert the covers.
- Insert the water capture bowl.



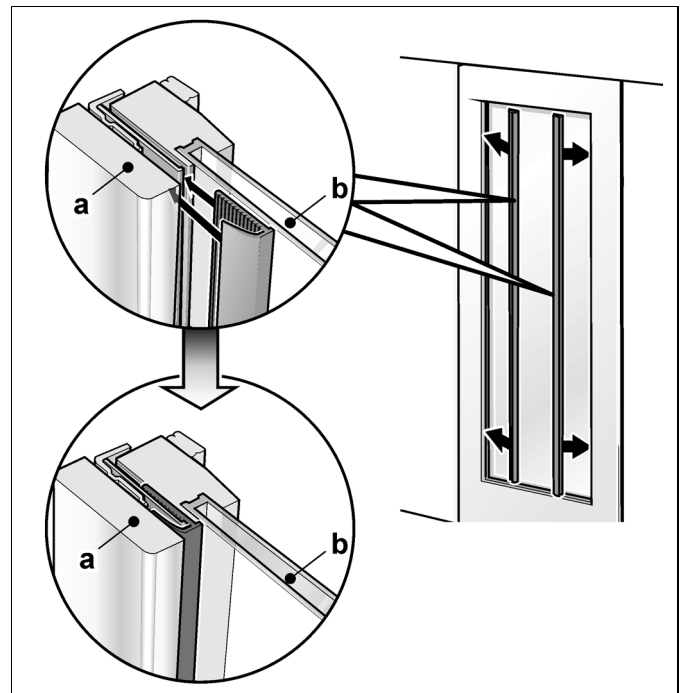
## Attaching covering strips

(only for the wine storage cabinet)

- In certain circumstances, if the frame width is narrow, the side of the covering strip has to be shortened. To determine the required length of the side, lay trial pieces next to the covering strip.

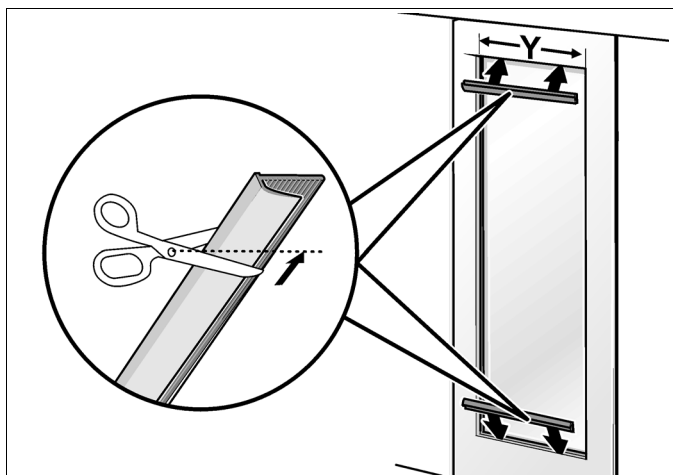


- Slide the covering strips on the longitudinal side into the gap between the furniture door (a) and the glass pane (b).

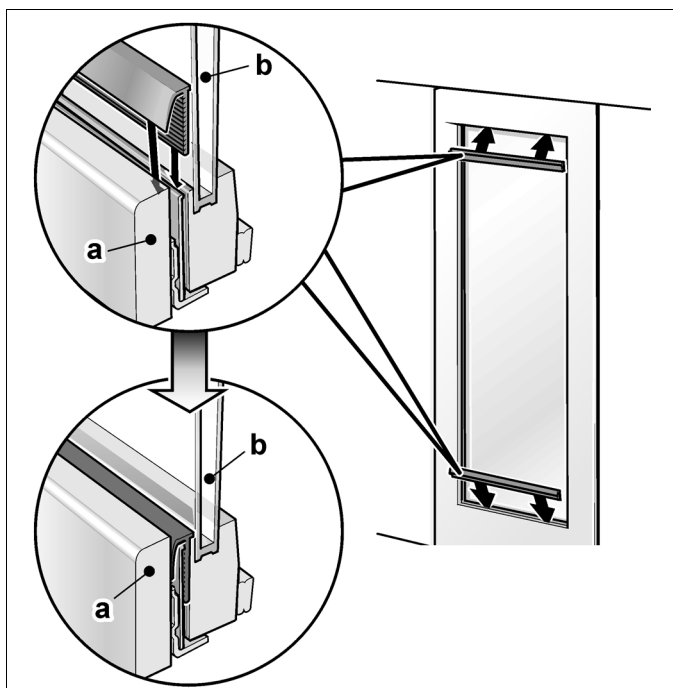




3. Cut the covering strips of the shortest sides to the required length.



4. Push cover strips into the gap between the furniture door (a) and glass pane (b).

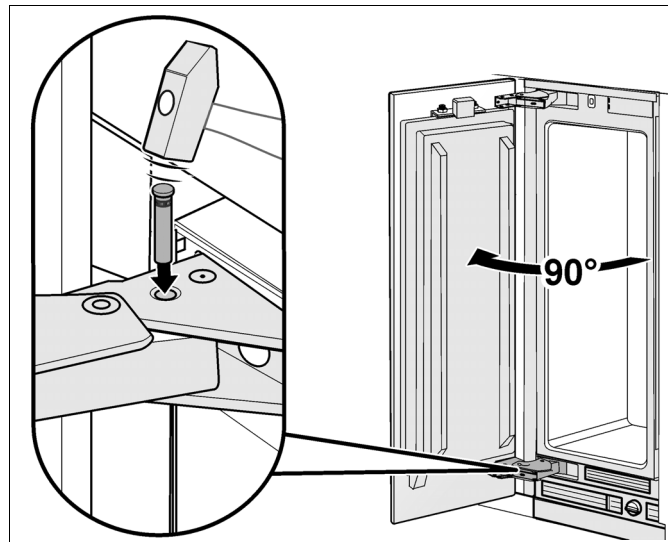


## Setting the door opening angle

According to the set up conditions, it may be necessary to limit the door opening angle. A door opening angle of  $115^\circ$  is set at the factory.

To set the door opening angle to  $90^\circ$ :

1. Open the door to  $90^\circ$ .
2. Drive in the stop pin with a hammer.





**Siemens-Elektrogeräte GmbH**  
**Carl-Wery-Str. 34**  
**81739 München**  
**Germany**



9000879479 en (9302)