

# PROFİLO

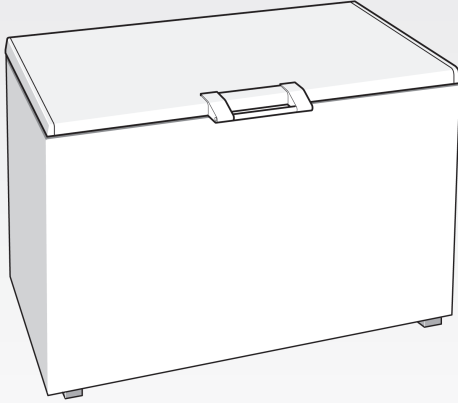
dayanıklı ev aletleri

en Operating and installation tr  
instructions

fr Notices d'utilisation  
et de montage

Kullanma ve montaj  
kılavuzu

ar دليل الاستعمال  
والتركيب



DF6..

---

## en Index

Safety and warning information .....	4	Freezing and storing .....	11
Directions for disposal .....	6	Freezing fresh food .....	11
Scope of delivery .....	6	SuperFreezing .....	12
Installing the appliance .....	6	Defrosting frozen food .....	13
Note the room temperature and ventilation .....	7	Features of the appliance .....	13
Connecting the appliance .....	8	Switching the appliance off and putting it out of operation .....	13
Getting to know the appliance .....	9	Defrosting .....	14
Control panel .....	9	Cleaning the appliance .....	15
Putting the appliance into operation .	10	Saving energy .....	15
Warning messages .....	10	Operating noises .....	16
Utilisable volume .....	10	Rectifying minor faults yourself .....	16
Freezer compartment .....	10	After-sales service .....	18
Max. freezing capacity .....	11		

---

## fr Table des matières

Consignes de sécurité .....	19	Capacité de congélation maximale ..	26
Consignes pour la mise au rebut ...	21	Congélation et rangement .....	26
Étendue des fournitures .....	21	Congélation de produits frais .....	26
Installation de l'appareil .....	22	Supercongélation .....	27
Contrôle de la température ambiante et de l'aération .....	22	Décongélation des produits .....	28
Raccordement de l'appareil .....	23	Équipement de l'appareil .....	28
Présentation de l'appareil .....	24	Coupure et mise hors service de l'appareil .....	29
Panneau de commande .....	24	Dégivrage .....	29
Mise en service de l'appareil .....	25	Nettoyage de l'appareil .....	30
Alertes .....	25	Économies d'énergie .....	31
Contenance utile .....	25	Bruits de fonctionnement .....	31
Compartiment congélateur .....	25	Remédier soi-même aux petites pannes .....	32
		Service après-vente .....	34

## tr İindekiler

Güvenlik Bilgileri ve Uyarılar .....	35	Dondurma ve saklama .....	42
Atıkların yok edilmesiyle ilgili uyarılar	37	Taze yiyeceklerin dondurulması .....	42
Paket içeriđi .....	37	Süper dondurma .....	43
Cihazın kurulması .....	38	Dondurulmuş gıdanın özülmesi .....	44
Oda sıcaklığına ve Havalandırmaya dikkat edilmelidir .....	38	Cihaz donanımı .....	44
Cihazın bağlanması .....	39	Cihazın kapatılması ve beklemeye alınması .....	44
Cihazı tanımak .....	40	Buz özme .....	45
Kumanda paneli .....	40	Cihazın temizlenmesi .....	46
Cihazın işleme alınması .....	41	Enerji tasarrufu .....	46
Uyarı mesajları .....	41	alışma sesleri .....	47
Kullanım kapasitesi .....	41	Küçük arızaları kendi kendinize giderme .....	47
Dondurucu .....	41	Müşteri hizmetleri .....	49
Azami dondurma kapasitesi .....	42		

---

## Safety and warning information

### Before you put the appliance into operation

Carefully read through the instructions for use and assembly instructions. They contain important information on setting up, using and maintaining the appliance.

The manufacturer is not liable for any damage caused by users ignoring the information and warnings contained in the instructions for use.

Retain all documents for later use or for subsequent owners.

### Technical safety

The appliance contains a small quantity of the environmentally-friendly, though flammable, refrigerant R600a. Make sure that the pipes of the refrigerant circuit are not damaged during transport or installation. If refrigerant shoots out, it may ignite or cause eye injuries.

In the event of damage:

- Keep open flames or sources of ignition away from the appliance.
- Switch off the appliance and unplug it from the mains.
- Ventilate the room well for a few minutes.
- Inform the after-sales service.

The more refrigerant an appliance contains, the larger the room must be in which it stands. If there is a leak and the room is too small, a flammable gas-air mixture may form.

The room must be at least 1 m<sup>3</sup> in size for each 8 g of refrigerant. The volume of refrigerant in your appliance is listed on the rating plate inside the appliance.

If the mains connection cable for this appliance is damaged, it must be replaced by the manufacturer, the after-sales department or a similarly qualified person. Incorrect installations and repairs may put the user at considerable risk.

Repairs must only be carried out by the manufacturer, after-sales service, or a similarly qualified person.

Only original parts from the manufacturer must be used. The manufacturer can only guarantee that the safety requirements are met if these parts are used.

A mains cable extension lead must only be procured from the after-sales service.

## During use

- Never use electrical appliances inside the appliance (e.g. heaters, electric ice makers, etc.). Risk of explosion!
- Never defrost or clean the appliance with a steam-cleaning device. The steam may reach electrical parts and trigger a short circuit. Risk of electric shock!
- Do not use pointed or sharp objects to remove layers of ice and frost. You could damage the refrigerant pipes. If refrigerant shoots out, it may ignite or cause eye injuries.
- Do not store products with flammable propellant gases (e.g. spray cans) or explosive substances inside the appliance. Risk of explosion!
- Do not misuse the base, rails, doors, etc. as a step or support.
- For defrosting and cleaning, unplug the appliance from the mains or switch off the fuse. Pull on the mains plug, not on the connecting cable.
- Only store high-proof alcohol tightly sealed and in an upright position.
- Do not contaminate plastic parts or door seals with oil or grease. Plastic parts and door seals will otherwise become porous.
- Never cover or block ventilation openings for the appliance.
- Children and people with impaired physical, sensory, or mental abilities or who lack knowledge of the appliance must only use it if they are supervised by a person who will take responsibility for their safety or who have learned how to use the appliance by reading this manual.

- Do not store liquids in bottles or tins in the freezer compartment (in particular carbonated drinks). Bottles and tins may burst.
- Never eat frozen foods immediately after they have been taken out of the freezer compartment. Risk of freezer burn!
- Avoid prolonged hand contact with frozen foods, ice, and the evaporator tubes, etc. Risk of freezer burn!

## Children in the household

- Do not give packaging or packaging parts to children. Risk of suffocation from cardboard boxes and films!
- The appliance is not a toy.
- For appliances with a door lock: Keep the key out of the reach of children!

## General requirements

The appliance is suitable for the following tasks:

- Freezing food
- Making ice cubes.

This appliance is intended for domestic use in private households and for a domestic environment.

The appliance is fitted with interference suppression in accordance with EU Directive 2004/108/EC.

The refrigeration circuit has been checked for leak tightness.

This appliance corresponds to the relevant safety requirements for electrical appliances (EN 60335-2-24).

## Directions for disposal

### Disposing of packaging

The packaging protects your appliance from damage during transport. All the materials used are environmentally friendly and can be recycled. Please help by Disposing of the packaging in an environmentally-responsible manner.

You can obtain information about current disposal methods from your specialist dealer or local council.

### Disposing of your old appliance

Old appliances are not useless waste. Valuable raw materials can be recovered through environmentally responsible disposal.



This appliance is marked in accordance with European directive 2002/96/EC regarding old electric and electronic appliances (waste electrical and electronic equipment - WEEE). The directive provides a framework for the collection and recycling of old appliances, which is valid across the EU.

### Warning

For worn-out appliances:

1. Unplug the mains plug.
2. Cut the power cord and remove it along with the mains plug.
3. Do not remove the shelves and containers. Leaving them intact makes it more difficult for children to climb in.
4. Never let children play with a disused appliance. Risk of asphyxiation!

Refrigerators contain refrigerant as well as gases in the insulation material. Refrigerant and gases must be disposed of properly. Do not damage the refrigerant circuit pipes before disposing of them properly.

## Scope of delivery

After unpacking the appliance, check all parts for transport damage.


If you wish to make a complaint, please contact the dealer from whom you purchased the appliance or our after-sales service.

The scope of delivery includes the following parts:

- Free-standing appliance
- Features (vary depending on the model)
- Instructions for use
- After-sales service booklet
- Guarantee slip
- Information on energy consumption and noises
- Bag of assembly materials.

## Installing the appliance

### Transport

For transport, smooth-running rollers are attached to the appliance. Figure 

### Warning

If required, secure the appliance against rolling away.

## Removing the transport locks

Figure **3** (not on all models)

Remove the four transport locks that are attached between the chest lid and the appliance.

Place two of these transport locks on the holders provided for them on the rear of the appliance. This will maintain the minimum distance from the wall, meaning that the chest lid can be opened properly and that adequate ventilation is ensured. This means that the appliance will achieve its stated energy consumption.

## Location

The ideal installation location is a dry, well-ventilated room. The installation location should not be subject to direct sunlight or be near a heat source such as a cooker, heating element, etc. If setting up the appliance next to a heat source is unavoidable, use a suitable insulating plate or observe the following minimum distances from the heat source:

- 3 cm from an electric or gas cooker.
- 30 cm from oil or solid fuel cookers.

If the appliance is placed against the wall, there must be a minimum distance of 70 mm to the back panel and to the side panels.

## Floor surface

The floor at the installation location must not buckle and you may have to reinforce the floor.

Use a spirit level to align the appliance.

Level out any unevenness in the ground using support spacers.

## Note the room temperature and ventilation

### Ambient temperature

The appliance is designed for a certain climate class. Depending on the climate class, the appliance can be operated at the following ambient temperatures.

The climate class is specified on the rating plate, figure **11/10**.

Climate class	Permissible ambient temperature
SN	+10 °C to 32 °C
N	+16 °C to 32 °C
ST	+16 °C to 38 °C
T	+16 °C to 43 °C

### Note!

The appliance can function within the ambient temperature limits of the specified climate class.

If an appliance in the SN climate class is operated at lower ambient temperatures, damage to the appliance can be excluded up to a temperature of +5 °C.

## Ventilation

Figure **10**

The air on the appliance's back panel and side panels heats up. The heated air must be able to escape unimpeded. Otherwise, the refrigerating unit has to work harder, which increases the appliance's power consumption. Therefore: You must never cover or block the ventilation openings!

---

## Connecting the appliance

After setting up the appliance, wait for at least 1 hour before starting the appliance up. The oil contained in the compressor may have been displaced into the refrigeration system during transport.

Before starting the appliance up for the first time, clean its interior (see section "Cleaning the appliance").

### Electrical connection

The socket must be near to the appliance and easily accessible after the appliance has been installed.

The appliance conforms to protection class I. Connect the appliance to a 220-240 V/50 Hz alternating current supply using a socket with protective earthing conductor which has been correctly installed. The socket must be protected by a fuse with a rating of 10 A to 16 A.

In the case of appliances operated outside of Europe, check whether the voltage and type of current specified conform to the values of your electricity grid. You will find this information on the rating plate, figure **11**.

### Warning

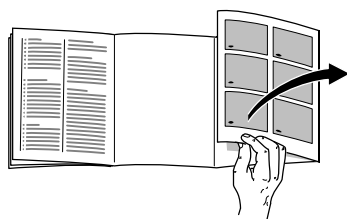
The appliance must never be connected up to an electronic energy-saving socket.

Sinusoidal-commutated and line-commutated inverters can be used with our appliances. Line-commutated inverters are used with photovoltaic systems that are connected directly to the national grid.

Sinusoidal-communicated inverters must be used with standalone applications (e.g. on ships or mountain huts) that do not have a direct connection to the national grid.



## Getting to know the appliance



Fold out the last page that contains the figures. These instructions for use apply for several models.

Deviations between the figures are possible.

Figure **1**

\* Not available on all models

### 1-5 Control panel

#### 6 Interior light \*

#### 7 Basket \*

#### 8 Storage compartment

#### 9 Condensation drainage with drain plug

#### 10 Rating plate

#### 11 Pre-freezing compartment \*

#### 12 Removable separating wall \*

## Control panel

Figure **2**

### 1 "eco" setting

If the appliance is only partially filled (on appliances with a separating wall, maximum fill level is up to the "e" marking on the separating wall), this setting can be selected in order to save energy.

### 2 Temperature selector

To adjust the freezer compartment temperature, turn the temperature selector using a coin.

Position 1: Highest temperature

Position 6: Lowest temperature

### 3 "alarm" indicator

The red indicator lights up if the freezer compartment is too warm.

### 4 "power" indicator

The green indicator lights up if the appliance is switched on.

### 5 "super" button

This is used to switch the SuperFreezing function on and off.

The yellow indicator lights up if the SuperFreezing function is switched on.

---

## Putting the appliance into operation

### Switching on the appliance

- Once it is connected, the appliance is switched on and the green indicator figure **2/4** lights up.
- If the red indicator lights up (figure **2/3**), this means that the temperature in the appliance is too high and you must only put frozen food in the freezer once this red indicator has gone out.

### Setting the temperature

The temperature selector is set to position 4 at the factory.

To change the temperature, turn the temperature selector, figure **2/2**.

Position 1: Highest temperature

Position 6: Lowest temperature

**Important:** Changes to the temperature take time to come into effect.

### Notes on using the appliance

- When you switch on the appliance, the temperature for the freezer compartment is automatically set to approx.  $-18\text{ }^{\circ}\text{C}$  if no temperature has been entered.
- If you cannot open the lid immediately after closing the chest, please wait for two to three minutes until the resulting vacuum has been compensated for.

---

## Warning messages

### Temperature alarm

If the temperature in the freezer compartment becomes too warm (approx.  $-9\text{ }^{\circ}\text{C}$ ) and the frozen food is at risk, the "alarm" indicator lights up, figure **2/3**.

---

## Utilisable volume

You will find information regarding the utilisable volume on the rating plate. Figure **11**

### Using the entire freezing capacity

To store the maximum quantity of frozen food, you can remove the basket from the appliance.

---

## Freezer compartment

Use the freezer compartment for the following:

- Storing deep frozen food.
- To make ice cubes.
- To freeze food.

### Note!

Ensure that the appliance is always closed. If the lid is open, the frozen food will thaw. The freezer compartment ices up heavily. In addition: Energy is lost due to the power consumption.

## Max. freezing capacity

You will find information on the maximum freezing capacity in 24 hours on the rating plate. Figure **ii**

## Freezing and storing

### Purchasing frozen foods

- Packaging must not be damaged.
- Observe the best before date.
- The temperature in the commercial chest freezer must be  $-18\text{ }^{\circ}\text{C}$  or colder.
- As far as possible, frozen food must be transported in an insulated container and quickly placed in the freezer compartment.

### When arranging the food, note the following:

It is preferable to freeze larger quantities of food on the appliance floor because they will become frozen more quickly and gently there. Lay the food over a wide area on the floor of the appliance. Food that is already frozen must not come into contact with the food that is to be freshly frozen.

## Freezing fresh food

Only use fresh, undamaged food for freezing.

In order to retain the nutritional value, aroma and colour of the food as much as possible, blanch vegetables before they are frozen. Blanching is not required for aubergines, peppers, courgettes and asparagus.

You can find literature about freezing and blanching in bookshops.

### Note!

Do not allow food that is to be frozen to sit right next to food that has already been frozen.

- The following are suitable for freezing: Baked goods, fish and seafood, meat, game, poultry, vegetables, fruit, herbs, eggs without their shells, dairy products such as cheese, butter and curd cheese, prepared dishes and leftovers such as soups, stews, cooked meat and fish, potato dishes, baked casseroles and sweet foods.
- The following are not suitable for freezing: Types of vegetables that are usually eaten raw – such as green salad or radishes, eggs in their shells, grapes, whole apples, pears and peaches, hard-boiled eggs, yoghurt, soured milk, sour cream, crème fraîche and mayonnaise.

en

## Packaging frozen food

Pack food so that it is airtight to prevent it from losing its flavour or drying out.

1. Store food in its packaging.
2. Press out any air.
3. Close the packaging tightly.
4. Label packaging with its contents and date of freezing.

### **The following are suitable as packaging:**

Plastic film, polyethylene hose film, aluminium foil, freezer bags. You will find these products at your specialist dealer.

### **The following are not suitable as packaging:**

Wrapping paper, greaseproof paper, cellophane, rubbish bags and used shopping bags.

### **The following are suitable for sealing packaging:**

Rubber bands, plastic clips, pack-twines, cold-resistant scotch tape, or similar. Polyethylene bags and hose film can be fused closed using a bag sealer.

## Storage life of frozen foods

The storage life depends on the type of food.

At a temperature of -18 °C:

- Fish, sausages, prepared dishes, baked goods:  
Up to 6 months
- Cheese, poultry, meat:  
Up to 8 months
- Vegetables, fruit:  
Up to 12 months

---

## SuperFreezing

Food should be frozen thoroughly as quickly as possible. This ensures that vitamins, nutritional value, appearance and taste are retained.

To ensure that there is no undesired rise in temperature while you are placing fresh food in the freezer, switch on the SuperFreezing function a few hours beforehand.

In general, 4-6 hours is sufficient.

If you want to use the max. freezing capacity, you require 24 hours.

Smaller quantities of food (approx. 10 % of the freezing capacity) can be frozen without using SuperFreezing.

To switch SuperFreezing on and off, press and hold the "super" button, figure 2/5.

The "super" indicator lights up to show that the freezer has been started up, figure 2/5. The refrigerating unit now works continuously. A low temperature is reached in the freezer compartment.

---

## Defrosting frozen food

You can decide between the following options, depending on the type of food and its intended use:

- At room temperature,
- in the refrigerator,
- in the electric oven, with/without hot-air ventilator,
- in the microwave oven.

### Note!

Do not refreeze defrosted food. It can only be refrozen after it has been processed (cooked or roasted).

Do not continue to use the complete max. storage time for the frozen food.

---

## Features of the appliance

### Pre-freezing compartment

Figure 11/11 (not on all models)

In the pre-freezing compartment, fresh food freezes particularly quickly and gently. Lay the food over a wide area on the floor and on the side panels of the pre-freezing compartment.

### Removable basket

Figure 9

For storing deep frozen food.

If you want to place baskets on the floor of the appliance, remove or fold in the handles first.

If required, you can purchase further baskets from specialist retailers if you specify the appliance designation, figure 12.

## Removable separating wall

Figure 6 (not on all models)

The separating wall prevents fresh food that is to be frozen in the pre-freezing compartment from coming into contact with food that is already frozen in the storage compartment.

If you pull out the separating wall and lay it on the floor of the chest, small items of frozen food (such as strawberries) can be quickly and – above all – individually frozen. When defrosting food, you can place the separating wall under the drainage channel to collect the defrosted water.

---

## Switching the appliance off and putting it out of operation

### Switch off the appliance

- Unplug the appliance from the mains or switch off the childproof lock.

### Putting the appliance out of service

If you do not use the appliance for long periods:

1. Remove all food from the appliance.
2. Switch off the appliance.
3. Defrost the appliance (see section "Defrosting").
4. Clean the inside of the appliance (see section "Cleaning the appliance").
5. To prevent odours from forming, leave the appliance lid open.

## Defrosting

A layer of frost on the container panels impairs the cooling effect on the frozen food and increases the power consumption. You must regularly remove this layer of frost.

### General tips

- When putting food in or taking food out, open the lid of the chest for as little time as possible.
- Do not install the chest freezer in a damp room. A high level of humidity aids the formation of frost.
- Package fresh food so that it is as air-tight as possible.

### Attention

Do not scrape away the layer of ice using a knife or a sharp object. You could damage the refrigerant pipes. If refrigerant shoots out, it may ignite or cause eye injuries.

### Defrosting the appliance

- Switch on the SuperFreezing function approx. 4 hours before the defrosting to ensure that the food is thoroughly frozen.
- Then clear out the frozen food and store it in several layers of newspaper or wrap it in a cover and store it in a cool place.
- Leave the lid open and unplug the mains plug.

- Pull out the exterior drain plug (figure 7/1), remove the flat drawer or, if present, the separating wall of the appliance (figure 7/2), lay it under the drain hole for condensation water to catch the condensation water (figure 7/3). and pull out the interior drain plug (figure 7/4).
- After defrosting, clean the appliance and wipe the inside dry.
- Use the two drainage plugs to seal the condensation drainage, insert the separating wall, connect the appliance and re-arrange the frozen food.

### Defrosting aids

To speed up the defrosting process, you can use a plastic scraper to remove the layer of ice

### Warning

Never use electrical appliances, defrosting sprays or open flames to defrost the freezer, e.g. heaters, steam-cleaning appliances, candles, oil lamps, etc.

Do not place any saucepans containing hot water in the appliance in order to speed up the defrosting.

## Cleaning the appliance

You should clean the freezer compartment properly after each time it is defrosted.

### Attention

- Never clean the appliance with a steam cleaning appliance.
- Do not use gritty, acidic or chlorine-based cleaning agents or solvents.
- Do not use any abrasive materials or materials that may scratch surfaces. This may lead to corrosion of the metallic surfaces.
- Never clean the equipment's accessories in the dishwasher. The parts may warp.
- The water used for rinsing must not get into the control panel or lighting.

### Proceed as follows:

1. Before cleaning the appliance, unplug the mains plug or disconnect the fuse.
2. Take out the frozen food and store it in a cool place. Place an ice block (if you have one) on the food.
3. Clean the appliance with a soft cloth, lukewarm water, and a little pH-neutral detergent.
4. Only wipe the door seal with clean water and then rub it until it is dry.
5. After cleaning, reconnect the appliance to the mains and switch it on.
6. Put the frozen food back in.

## Saving energy

- Install the appliance in a cool, dry, well-ventilated room. The appliance must be installed out of direct sunlight and away from heat sources (e.g. heating elements, cooker). Use an insulating plate if necessary.
- Allow hot food to cool before placing it in the appliance.
- Place frozen food that is to be defrosted in your cooling compartment. Use the low temperature of the frozen food to cool down food.
- Open the appliance door for as little time as possible.
- A layer of frost in the freezer compartment impairs the cooling effect on the frozen food and increases the power consumption. If there is a layer of frost, you must defrost the appliance.
- Occasionally clean the rear of the appliance to prevent an increased power consumption.
- If only medium quantities of food (approx. 40 %-60 % of the maximum freezing capacity) are frozen, you can put food into the freezer after 6 hours of SuperFreezing and switch SuperFreezing off.
- If the appliance is only partially filled with food (not higher than the "e" marking on the separating wall if the appliance comes with a separating wall), use the "eco" energy-saving setting.

---

## Operating noises

### Completely normal noises

Humming - The refrigeration unit is running.

Bubbling, whirring or gurgling noises - The refrigerant is flowing through the pipes.

Clicking - The motor is switching on or off.

Clicking when opening the lid - The light switch is switching on.

### Preventing noises

#### If the appliance is positioned unevenly

Use a spirit level to align the appliance so that it is level. Level out any unevenness in the ground using support spacers.

#### If the appliance is touching adjacent units or appliances

Move the appliance away from adjacent furniture or appliances.

#### Baskets or separating plates are wobbling or sticking

Check the removable parts and reinsert them if necessary.

#### Containers are touching

Move the containers apart slightly.

---

## Rectifying minor faults yourself

### Before you call the after-sales service:

Check whether you can rectify the fault yourself by using the notes below.

You must bear the costs for consultation with the after-sales services yourself - even during the warranty period.

Problem	Possible cause	Remedy
The temperature deviates considerably from the setting.		<p>In some cases, it is sufficient to switch off the appliance for 5 minutes.</p> <p>If the temperature is too high, wait a few hours and check whether the temperature has aligned with the setting.</p> <p>If the temperature is too low, wait until the next day and check the temperature again.</p>



Problem	Possible cause	Remedy
The interior lighting is not working.	The bulb is faulty.	Replace the bulb: <ol style="list-style-type: none"> <li>1. Unplug the appliance from the mains or switch off the circuit breaker.</li> <li>2. Remove the lamp cover, figure <b>8</b>.</li> <li>3. Change the bulb (replacement bulb: 220-240 V alternating current, E14 socket, see faulty light for the wattage).</li> </ol>
The refrigerating unit switches on with increasing frequency and for longer periods.	The chest lid is being opened frequently.  The ventilation openings are covered. Figure <b>10</b>	Do not open the lid unnecessarily.  Remove any obstructions.
The "alarm" indicator (figure <b>2/3</b> ) lights up. (it is too warm in the appliance).	The chest lid is being opened frequently.  Lots of food has been placed in the freezer.  The ventilation openings are covered. Figure <b>10</b>  The appliance is beside a heat source.	Do not open the lid unnecessarily.  Switch on SuperFreezing before placing food in the freezer.  Remove any obstructions.  Maintain the minimum distance or use an insulating plate.
The green control light (figure <b>2/4</b> ) is not lit.	The appliance is switched off.  Power failure; the fuse protection has been switched off; the mains plug is not firmly inserted.	Connect the mains plug.  Check whether there is power, check the fuses.

Problem	Possible cause	Remedy
Increased formation of frost on the upper edge of the appliance.	The condensation water plugs are not in the correct position.	Insert the condensation water plugs correctly on the floor of the appliance and on the front of the appliance.
	The transport locks were not removed	Remove all four transport locks, figure 3 (see section "Installing the appliance").
	The chest lid is being opened frequently.	Do not open the lid unnecessarily.

## After-sales service

You can find an after-sales service point near to you in the telephone directory or in the list of after-sales service points.

When you call the after-sales service, quote your product number (E no.) and the production number (FD no.) of your appliance.

You will find this information on the rating plate. Figure 11

Please help us to avoid unnecessary journeys by quoting the appliance and production number. This will save you the additional associated costs.

## Repair order and consultation if faults occur

The attached after-sales service directory contains the contact data for all countries.

**GB** 0844 8928999      Calls from a BT landline will be charged at up to 3 pence per minute. A call set-up fee of up to 6 pence may apply.

**IE** 01450 2655

**US** 866 447 4363      toll-free

## Consignes de sécurité

### Avant de mettre l'appareil en service

Veuillez lire les notices d'utilisation et de montage attentivement et entièrement. Elles contiennent des informations importantes sur l'installation, l'utilisation et l'entretien de l'appareil.

Le fabricant décline toute responsabilité en cas de non respect des consignes, indications et mises en garde énoncées dans la notice d'utilisation. Conservez les notices d'utilisation et d'installation. Elles peuvent servir ultérieurement à un autre utilisateur.

### Sécurité technique

Cet appareil contient une petite quantité de fluide réfrigérant écologique, mais inflammable : le R600a. Pendant le transport et l'installation de l'appareil, veillez à ne pas endommager les tuyaux du circuit frigorifique. Si le fluide réfrigérant jaillit, il peut provoquer des lésions oculaires ou s'enflammer.

Si l'appareil est endommagé

- éloignez toute flamme nue ou source d'inflammation de l'appareil,
- éteignez l'appareil et débranchez la prise mâle de la prise de courant,
- aérez bien la pièce pendant quelques minutes,
- informez le service après-vente.

Plus la quantité de fluide réfrigérant contenue dans l'appareil est importante, plus la pièce dans laquelle ce dernier se trouve doit être spacieuse. Dans les pièces trop petites, un mélange gaz-air inflammable peut se former en cas de fuite.

Comptez 1 m<sup>3</sup> de volume minimum de la pièce pour 8 g. de fluide réfrigérant. La quantité de fluide présente dans l'appareil est indiquée sur la plaque signalétique située à l'intérieur de ce dernier.

Si le cordon d'alimentation de cet appareil est endommagé, vous devez confier son remplacement au fabricant, au service après-vente ou à une personne détenant des qualifications similaires. Des réparations inexpertes peuvent engendrer des risques considérables pour l'utilisateur.

Les réparations pourront uniquement être réalisées par le fabricant, le service après-vente ou une personne détenant des qualifications similaires.

Seules les pièces d'origine du fabricant doivent être utilisées. Le fabricant garantit uniquement les pièces d'origine car elles seules remplissent les exigences de sécurité.

Si vous avez besoin de prolonger le cordon de raccordement au secteur en utilisant un prolongateur, procurez-vous le exclusivement auprès du service après-vente.

### Pendant l'utilisation

- N'utilisez jamais d'appareils électriques à l'intérieur de l'appareil (par ex., radiateur, machine à glaçon électrique, etc.). Risque d'explosion !
- Ne dégivrez et ne nettoyez jamais l'appareil à l'aide d'un nettoyeur à vapeur ! La vapeur pourrait atteindre des pièces électriques et provoquer un court-circuit. Risque d'électrocution !

- Pour détacher le givre ou les couches de glace, n'utilisez jamais d'objets pointus ni tranchants. Vous risqueriez d'endommager les tuyaux de fluide réfrigérant. Si le fluide réfrigérant jaillit, il peut provoquer des lésions oculaires ou s'enflammer.
- Ne stockez dans l'appareil aucun produit contenant des gaz propulseurs inflammables (par ex. bombes aérosols) ni produits explosifs. Risque d'explosion !
- Ne vous appuyez pas sur le socle, les clayettes, les portes etc., et ne vous en servez pas comme marche-pied.
- Pour dégivrer ou nettoyer l'appareil, débranchez la prise mâle de la prise de courant ou désarmez le disjoncteur. Pour ce faire, tirez sur la fiche mâle et non pas sur le câble de raccordement.
- Les boissons fortement alcoolisées doivent être fermées hermétiquement et stockées à la verticale.
- Veillez à ne pas salir les parties en plastique et le joint de la porte avec de l'huile ou de la graisse. Ces pièces et le joint risquent sinon de devenir poreux.
- Ne recouvrez et n'obstruez jamais les orifices de ventilation de l'appareil.
- L'utilisation de cet appareil par des personnes (enfants compris) présentant des capacités physiques, sensorielles ou psychiques restreintes, ou ne détenant pas les connaissances voulues, devra se dérouler uniquement sous surveillance ou après avoir reçu des instructions détaillées.
- Ne stockez aucune boisson gazeuse, en particulier en bouteilles ou en cannettes, dans le compartiment congélateur. Les bouteilles et les cannettes risqueraient d'éclater !
- Ne portez jamais à la bouche des produits surgelés immédiatement après les avoir sortis du compartiment congélateur. Risque d'engelures !
- Évitez tout contact prolongé des mains avec les produits congelés, la glace ou les tubes de l'évaporateur etc. Risque d'engelures !

## **Les enfants et l'appareil**

- Ne permettez jamais aux enfants de jouer avec l'emballage et ses pièces constitutives. Ils risquent de s'étouffer avec les cartons pliants et les feuilles de plastique !
- L'appareil n'est pas un jouet pour enfants !
- Appareils équipés d'une serrure : Rangez la clé hors de portée des enfants !

## **Dispositions générales**

L'appareil convient pour

- congeler des aliments,
- préparer des glaçons.

Cet appareil est destiné à un usage domestique.

L'appareil a été antiparasité conformément à la directive UE 2004/108/EC.

L'étanchéité du circuit de fluide frigorigène a été contrôlée.

Ce produit est conforme aux dispositions de sécurité applicables aux appareils électriques (EN 60335-2-24).

## Consignes pour la mise au rebut

### Mise au rebut de l'emballage

L'emballage protège votre appareil contre les dommages susceptibles de survenir en cours de transport. Tous les matériaux qui le composent sont respectueux de l'environnement et recyclables. Aidez-nous : Éliminez l'emballage en respectant l'environnement.

Pour connaître les circuits actuels de mise au rebut, veuillez vous adresser à votre revendeur ou à l'administration de votre commune.

### Mise au rebut de l'ancien appareil

Les appareils usagés ne sont pas des déchets dénués de valeur ! Leur élimination dans le respect de l'environnement permet d'en récupérer de précieuses matières premières.



Cet appareil est marqué selon la directive européenne 2002/96/CE concernant les appareils électriques et électroniques usagés (déchets des équipements électriques et électroniques - DEEE). La directive spécifie le cadre pour une reprise et un recyclage des appareils usagés applicables dans les pays de la CE.

### Mise en garde

Avant de mettre au rebut l'appareil qui ne sert plus :

1. Débranchez la fiche mâle de la prise de courant.

2. Sectionnez son câble de raccordement puis enlevez-le avec la fiche mâle.
3. Pour dissuader les enfants de monter dans l'appareil, ne retirez pas les clayettes ni les bacs !
4. N'autorisez pas les enfants à jouer avec l'appareil usagé. Risque d'asphyxie !

Les appareils frigorifiques contiennent des fluides frigorigènes et des gaz isolants. Ceux-ci nécessitent une mise au rebut adéquate. Jusqu'à l'enlèvement de l'appareil, veillez bien à ce que son circuit frigorifique ne soit pas endommagé.

## Étendue des fournitures

Après avoir déballé votre appareil, vérifiez toutes les pièces pour détecter d'éventuels endommagements dus au transport.

En cas de réclamation, adressez-vous au détaillant qui vous a vendu cet appareil ou à notre service après-vente.

La livraison comprend les pièces suivantes :

- Appareil indépendant
- Équipement (selon le modèle)
- Notice d'utilisation
- Carnet de service après-vente
- Pièce annexe de la garantie
- Informations relatives à la consommation d'énergie et aux bruits
- Sachet avec quincaillerie de montage.

# Installation de l'appareil

## Transport

Pour le transport, l'appareil dispose de roulettes facilement maniables. Figure 4

### Mise en garde

Si nécessaire, bloquez l'appareil pour l'empêcher de rouler.

## Retrait des fixations de transport

Figure 3 (selon le modèle)

Enlevez les fixations de transport positionnées entre le couvercle et l'appareil.

Accrochez deux de ces fixations aux supports prévus à cet effet à l'arrière de l'appareil. Cela permet de respecter l'écart minimum requis par rapport au mur, d'ouvrir correctement le couvercle du coffre et de garantir une aération appropriée. La quantité mentionnée d'énergie absorbée par l'appareil est ainsi atteinte.

## Lieu d'installation

Il est préférable d'installer l'appareil dans un endroit sec et bien aéré. Évitez d'exposer directement l'appareil aux rayons solaires ou de l'installer à proximité d'une source de chaleur, telle qu'une cuisinière, un radiateur, etc. Si l'installation près d'une source de chaleur est inévitable, utilisez une plaque isolante appropriée ou respectez les distances minimales suivantes :

- 3 cm par rapport aux cuisinières électriques ou à gaz.
- 30 cm par rapport à un radiateur au fuel ou au charbon.

Si l'appareil est installé contre le mur, une distance minimale de 70 mm est requise par rapport au mur arrière et aux murs latéraux.

## Surface porteuse

Au niveau de l'emplacement, le sol ne doit pas s'affaisser. Renforcez-le le cas échéant.

Vérifier l'horizontalité de l'appareil à l'aide d'un niveau à bulle.

Compenser les éventuelles inégalités du sol à l'aide de cales.

# Contrôle de la température ambiante et de l'aération

## Température ambiante

L'appareil a été conçu pour une catégorie climatique précise. Suivant la catégorie climatique, l'appareil est utilisable dans les températures ambiantes suivantes.

La catégorie climatique de l'appareil figure sur sa plaque signalétique, Figure 11/10.

Catégorie climatique	Température ambiante admissible
SN	+10 °C à 32 °C
N	+16 °C à 32 °C
ST	+16 °C à 38 °C
T	+16 °C à 43 °C

## Indication !

L'appareil est entièrement fonctionnel dans les limites de température de la classe climatique indiquée. Si un appareil de la classe climatique SN est exploité à des températures inférieures, l'appareil ne sera pas endommagé jusqu'à une température de +5 °C.

## Aération

Figure 10

L'air entrant en contact avec les parois arrière et latérales de l'appareil se réchauffe. L'air chaud doit pouvoir s'échapper sans obstacle. S'il ne le peut pas, le groupe frigorifique doit fonctionner plus longtemps, ce qui augmente la consommation de courant. Pour cette raison, ne recouvrez ni et n'obstruez jamais les orifices d'aération de l'appareil !

---

## Raccordement de l'appareil

Après avoir installé l'appareil, attendez au moins 1 heure avant de le mettre en service. Il peut en effet arriver, pendant le transport, que l'huile présente dans le compresseur se déplace vers le circuit frigorifique.

Avant la première mise en service, nettoyez le compartiment intérieur de l'appareil (voir le chapitre « Nettoyage de l'appareil »).

## Raccordement électrique

La prise femelle doit être proche de l'appareil et demeurer librement accessible même après son installation.

Cet appareil est conforme à la classe de protection I. Raccordez l'appareil au courant alternatif 220-240 V/50 Hz via une prise femelle installée réglementairement et comportant un fil de terre. La prise doit être protégée par un fusible supportant un ampérage de 10 A à 16 A.

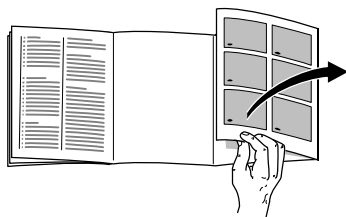
Sur les appareils destinés aux pays non européens, vérifiez si la tension de branchement et le type de courant concordent bien avec ceux offerts par le secteur du pays concerné. Ces données se trouvent sur la plaque signalétique, figure 11.

### Mise en garde

Ne branchez en aucun cas l'appareil à une « prise économie d'énergie » électronique.

Nos appareils peuvent être alimentés via des onduleurs pilotés par le secteur ou à pilotage sinusoïdal. Directement raccordées au réseau public, les installations photovoltaïques font appel à des onduleurs pilotés par le secteur. Dans les solutions en îlots (par ex. sur les bateaux ou les refuges de montagne), ne disposant pas d'un raccordement direct au réseau électrique public, il faut utiliser des onduleurs à pilotage sinusoïdal.

## Présentation de l'appareil



Veuillez déplier la dernière page, illustrée, de la notice. La présente notice d'utilisation vaut pour plusieurs modèles.

Selon le modèle, l'appareil peut différer du contenu des illustrations.

Figure 1

\* selon le modèle

### 1-5 Panneau de commande

#### 6 Éclairage intérieur \*

#### 7 Panier \*

#### 8 Compartiment de stockage

#### 9 Orifice d'évacuation de l'eau de dégivrage avec bouchon

#### 10 Plaque signalétique

#### 11 Compartiment de précongélation \*

#### 12 Paroi de séparation amovible \*

## Panneau de commande

Figure 2

### 1 Réglage "eco"

Lorsque l'appareil n'est rempli que partiellement (pour les appareils dotés d'une paroi de séparation, remplissage maximum jusqu'au repère "e" figurant sur la paroi), ce réglage peut être choisi afin de faire des économies d'énergie.

### 2 Thermostat

Pour régler la température du compartiment congélateur, tourner le thermostat à l'aide d'une pièce de monnaie.

Position 1 : température la plus chaude

Position 6 : température la plus froide

### 3 Témoin "alarm"

Le témoin rouge s'allume lorsque la température est trop élevée dans le compartiment congélateur.

### 4 Témoin "power"

Le témoin vert s'allume lorsque l'appareil est en service.

### 5 Touche "super"

Cette touche sert à allumer et éteindre la supercongélation.

Le témoin jaune s'allume lorsque la supercongélation est activée.



## Mise en service de l'appareil

### Mise en service de l'appareil

- Le fait de raccorder l'appareil le met en service et le témoin vert figure **2/4** s'allume.
- Le fait que le témoin rouge s'allume figure **2/3** indique que la température dans l'appareil est trop élevée. Ne mettez les produits congelés qu'une fois que le témoin rouge est éteint.

### Réglage de la température

A la sortie de l'usine, le thermostat est réglé sur le repère 4.

Pour modifier la température, tourner le thermostat figure **2/2**.

Position 1 : Température la plus chaude

Position 6 : Température la plus froide

Attention : Les changements de température se produisent lentement.

### Remarques concernant le fonctionnement de l'appareil

- Au moment de la mise en marche, la température du compartiment congélateur est réglée automatiquement sur environ  $-18\text{ °C}$  si aucune température n'est saisie.
- Si vous deviez ne pas pouvoir ouvrir à nouveau le couvercle immédiatement après avoir fermé le bahut, patientez deux à trois minutes jusqu'à ce que la dépressurisation générée soit compensée.

## Alertes

### Alarme de température

Lorsque la température du compartiment congélateur est trop élevée (env.  $-9\text{ °C}$ ) et que les produits congelés sont donc exposés à un risque, le témoin "alarm" s'allume figure **2/3**.

## Contenance utile

Vous trouverez les données relatives à la contenance utile sur la plaque signalétique. Figure **III**

### Utilisation de l'intégralité du volume de congélation

Afin de pouvoir loger la quantité maximale de produits congelés, les paniers peuvent être retirés du congélateur.

## Compartiment congélateur

Utilisez le compartiment congélateur

- Pour entreposer des aliments surgelés.
- Pour faire des glaçons.
- Pour congeler des aliments.

### Indication !

Veillez à ce que l'appareil soit toujours fermé. Les aliments congelés peuvent dégeler si le couvercle reste ouvert. Du givre apparaîtra dans le congélateur. De plus, vous risquez une perte d'énergie en raison d'une consommation d'électricité plus élevée.

## Capacité de congélation maximale

Vous trouverez les données relatives à la capacité de congélation maximale sur 24 heures sur la plaque signalétique.

Figure **11**

## Congélation et rangement

### Achat des produits surgelés

- L'emballage ne doit pas être endommagé.
- Vérifiez la date limite de consommation recommandée.
- La température du congélateur du supermarché doit être de -18 °C minimum.
- Utilisez de préférence un sac isotherme pour le transport des produits surgelés, puis rangez les produits le plus rapidement possible dans le compartiment congélateur.

### Consignes de rangement

Congeler de préférence les plus grosses quantités d'aliments au fond du congélateur, car elles congèleront particulièrement rapidement et donc également soigneusement. Déposer les aliments à plat sur le fond de l'appareil. Les aliments déjà congelés ne doivent pas entrer en contact avec les aliments qui viennent juste d'être rangés pour congélation.

## Congélation de produits frais

Pour congeler des aliments, utilisez uniquement des produits frais, d'un aspect impeccable.

Afin de conserver le mieux possible les valeurs nutritives, les arômes et la couleur des aliments, il est conseillé de blanchir les légumes avant de les surgeler. Il n'est pas nécessaire de blanchir les aubergines, les poivrons, les courgettes ni les asperges.

Vous trouverez en librairie toute une bibliographie sur la congélation et le blanchissement.

### Indication !

Veillez à ce que les produits alimentaires à congeler n'entrent pas en contact avec les produits déjà surgelés.

- Se prêtent à la congélation :  
Pains et pâtisseries, poissons et fruits de mer, viande, gibier, volailles, légumes, fruits, fines herbes, oeufs sans la coque, produits laitiers comme le fromage, le beurre et le fromage blanc, plats préparés et restes de plats tels que les soupes, les ragoûts, la viande et les poissons cuits, les plats à base de pommes de terre, les gratins et les mets sucrés.
- Ne se prêtent pas à la congélation :  
légumes généralement consommés crus, tels que la salade ou les radis, oeufs dans leur coque, raisins, pommes, poires et pêches entières, oeuf cuits dur, yaourt, lait caillé, crème acidulée, crème fraîche et mayonnaise.

## Emballage de surgelés

Conditionnez les aliments dans des récipients hermétiquement fermés, afin qu'ils ne sèchent pas et ne perdent pas leur goût.

1. Placer les aliments dans l'emballage.
2. Chasser l'air des emballages.
- 3 Fermer l'emballage hermétiquement.
- 4 Inscrire sur l'emballage le nom du contenu et la date de congélation.

### Emballages adaptés :

Feuilles en plastique, feuilles en polyéthylène, feuilles d'aluminium, boîtes de congélation.

Ces produits sont en vente dans les magasins spécialisés.

### Emballages inadaptes :

Papier d'emballage, papier sulfurisé, feuilles de cellophane, sacs poubelle et sacs en plastique ayant déjà servi.

### Moyens d'obturation adaptés :

Caoutchoucs, clips en plastique, ficelles, rubans adhésifs résistants au froid ou produits similaires.

Vous pouvez fermer les sachets et les feuilles en polyéthylène au moyen d'une thermosoudeuse.

## Durée de conservation des produits surgelés

La durée de conservation dépend de la nature des aliments.

À une température de -18 °C :

- Poisson, charcuterie, plats pré-cuisinés, pâtisseries :  
jusqu'à 6 mois.
- Fromage, volaille, viande :  
jusqu'à 8 mois.
- Fruits et légumes :  
jusqu'à 12 mois.

## Supercongélation

Les aliments doivent congeler à cœur aussi vite que possible. Ils conservent ainsi leurs vitamines, leurs valeurs nutritives, leur aspect et leur goût.

Pour qu'il ne se produise aucune augmentation non souhaitée de la température lorsque vous rangez des produits alimentaires frais, activez la supercongélation quelques heures avant de les ranger.

En général, 4 à 6 heures suffisent.

Si vous souhaitez congeler des quantités correspondant à la capacité de congélation maximale, 24 heures seront nécessaires.

Les plus petites quantités d'aliments (env. 10 % de la capacité de congélation) peuvent être congelées sans recourir à la supercongélation.

Appuyer sur la touche "super" figure **2**/5 pour activer et désactiver la supercongélation.

La mise en service est signalée par le fait que le témoin "super" s'allume figure **2**/5. Le réfrigérateur fonctionne désormais en permanence. Une température très basse est atteinte dans le compartiment congélateur.

## Décongélation des produits

Selon la nature et l'utilisation des produits surgelés, vous pouvez les décongeler :

- à température ambiante,
- dans le réfrigérateur,
- dans le four électrique, avec/sans ventilateur à air chaud,
- dans le micro-ondes.

### Indication !

Ne remettez pas à congeler des produits alimentaires partiellement ou entièrement décongelés. Ne recongelez les produits qu'après les avoir transformés (cuisson ou rôtissage).

Dans ce cas, consommez-les nettement avant la date limite de conservation.

## Équipement de l'appareil

### Compartment de précongélation

Figure 1/11 (selon le modèle)

Les aliments frais se congèlent particulièrement rapidement et donc également soigneusement dans le compartiment de précongélation. Déposer les aliments à plat sur le fond et contre les parois latérales du compartiment de précongélation.

### Panier d'insertion

Figure 9

Pour ranger de petits produits congelés.

Si des paniers doivent être posés sur le fond de l'appareil, retirer au préalable les poignées ou les rabattre vers l'intérieur.

Si besoin est, des paniers supplémentaires peuvent être achetés dans des magasins spécialisés en indiquant la désignation de l'appareil figure 12.

### Paroi de séparation amovible

Figure 6 (selon le modèle)

La paroi de séparation empêche que les aliments à congeler qui viennent juste d'être rangés dans le compartiment de précongélation entrent en contact avec les aliments déjà congelés.

Si vous la retirez et la déposez au fond du bahut, les petits produits congelés, par exemple des fraises, peuvent être congelés rapidement et, avant tout, individuellement. Lors du dégivrage, elle peut être déposée sous le canal d'évacuation pour collecter l'eau de dégivrage.

## Coupure et mise hors service de l'appareil

### Coupure de l'appareil

- Débranchez la fiche mâle du secteur ou ramenez le disjoncteur en position éteinte.

### Mise hors service de l'appareil

Si l'appareil reste longtemps inutilisé :

1. Sortez tous les produits alimentaires de l'appareil.
2. Éteignez l'appareil.
3. Dégivrage de l'appareil (voir le chapitre "Dégivrage").
4. Nettoyez l'intérieur de l'appareil (voir le chapitre « Nettoyage de l'appareil »).
5. Pour éviter l'apparition de mauvaises odeurs, laissez le couvercle ouvert.

## Dégivrage

La présence d'une couche de givre sur les parois du bac détériore la diffusion du froid aux produits congelés et accroît la consommation de courant. Enlevez régulièrement la couche de givre.

### Conseils d'ordre général

- Ouvrir le couvercle du bahut aussi brièvement que possible pour déposer ou retirer un produit.
- Ne pas installer le congélateur-bahut dans des pièces humides. Une humidité de l'air élevée favorise la formation de givre.
- Conditionner si possible les aliments frais dans des contenants fermés hermétiquement.

### Attention

Ne pas racler la couche de givre ou la glace à l'aide d'un couteau ou d'un objet tranchant. Vous risqueriez d'endommager les tuyaux de fluide réfrigérant. Si le fluide réfrigérant jaillit, il peut provoquer des lésions oculaires ou s'enflammer.

### Dégivrage de l'appareil

- Env. 4 heures avant de procéder au dégivrage, activer la supercongélation de façon à ce que les aliments soient congelés en profondeur.
- Retirer ensuite les produits congelés et les envelopper dans plusieurs couches de papier journal ou un tissu et les conserver dans un endroit frais.
- Laisser le couvercle ouvert et débrancher la prise mâle.

- Retirer le bouchon d'évacuation extérieur figure 7/1, enlever du réfrigérateur les plateaux plats ou la paroi de séparation déjà présente dans l'appareil figure 7/2, et la placer sous le trou d'évacuation afin de collecter l'eau de dégivrage figure 7/3 et retirer le bouchon d'évacuation intérieur figure 7/4.
- Une fois le dégivrage effectué, nettoyer l'appareil et essuyer l'intérieur pour le sécher.
- Fermer l'évacuation de l'eau de dégivrage en repositionnant les deux bouchons d'évacuation, remettre la paroi de séparation en place, brancher l'appareil et ranger à nouveau les produits congelés.

## Aide au dégivrage

Une petite spatule en plastique peut être utilisée pour enlever la couche de glace et accélérer ainsi le processus de dégivrage.

### Mise en garde

Ne jamais utiliser d'appareils électriques, de sprays de dégivrage ou une flamme nue pour procéder au dégivrage, comme des radiateurs, des appareils de nettoyage à la vapeur, des bougies, des lampes à pétrole ou des dispositifs similaires.

Ne placez pas de casserole remplie d'eau chaude dans l'appareil pour accélérer le dégivrage.

## Nettoyage de l'appareil

Le nettoyage du compartiment congélateur devrait être effectué de façon appropriée après chaque dégivrage.

### Attention

- Ne nettoyez jamais l'appareil à l'aide d'un nettoyeur à vapeur !
- N'utilisez aucun produit de nettoyage contenant du sable, du chlorure ou de l'acide, ni aucun solvant.
- N'utilisez jamais d'éponges abrasives ou susceptibles de rayer. Des zones corrodées pourraient apparaître sur les surfaces métalliques de l'appareil.
- Ne jamais nettoyer les pièces de l'équipement dans le lave-vaisselle. Ces pièces pourraient se déformer !
- L'eau de nettoyage ne doit pas pénétrer dans le panneau de commande ni l'éclairage.

### Procédure :

1. Avant le nettoyage, débranchez la fiche mâle du secteur ou ramenez le disjoncteur en position éteinte.
2. Retirez les produits congelés et rangez-les dans un endroit frais. Posez les accumulateurs de froid (s'ils ont été fournis avec l'appareil) sur ces produits.
3. Nettoyez l'appareil avec un chiffon doux, de l'eau tiède et du produit à vaisselle présentant un pH neutre.
4. Essuyez le joint de porte uniquement avec un chiffon et de l'eau propre. Ensuite, séchez-le à fond.
5. Après le nettoyage, rebranchez la fiche mâle de l'appareil, puis remettez-le en marche.
6. Remettez en place les produits congelés.

## Économies d'énergie

- Placer l'appareil dans un endroit frais, sec et bien aéré ! L'appareil ne doit pas être exposé directement aux rayons du soleil et ne doit pas se trouver à proximité d'une source de chaleur (par ex., radiateur, cuisinière). Utilisez le cas échéant une plaque isolante.
- Laisser d'abord refroidir les aliments chauds avant de les ranger dans l'appareil !
- Rangez les produits surgelés dans le compartiment réfrigérateur pour qu'ils dégèlent. Utilisez l'excédent de froid de ces produits surgelés pour refroidir les aliments.
- Ouvrez la porte de l'appareil le moins possible et le plus vite possible !
- La présence d'une couche de givre dans le compartiment congélation détériore la diffusion du froid aux produits congelés et accroît la consommation de courant. En cas de formation de givre, dégivrer l'appareil !
- De temps en temps, nettoyez le dos de l'appareil, ceci pour éviter une hausse de la consommation d'électricité.
- Si seulement des quantités moyennes d'aliments (env. 40 % à 60 % de la capacité maximale) sont congelées, les aliments peuvent être rangés après 6 heures de supercongélation et la fonction de supercongélation peut être désactivée.
- Si l'appareil n'est que partiellement chargé d'aliments (pour des appareils disposant d'une paroi de séparation, pas au-dessus du repère "e" figurant sur la paroi), utiliser le réglage économique "eco".

## Bruits de fonctionnement

### Bruits parfaitement normaux

Ronronnement - le groupe de refroidissement fonctionne.

Bruits de gargouillis, de bourdonnements ou de gargarismes - le fluide réfrigérant circule dans les tuyaux.

Clic - le moteur s'allume ou s'éteint.

Clic lors de l'ouverture de l'appareil - commutateur de l'éclairage se déclenche.

fr

## Prévention des bruits

### Instabilité de l'appareil

Vérifiez l'horizontalité de l'appareil à l'aide d'un niveau à bulle. Compensez les éventuelles inégalités du sol à l'aide de cales.

### Appareil en contact avec autre chose

Veuillez éloigner l'appareil des meubles ou des appareils voisins.

### Paniers ou plateaux de séparation branlants ou coincés

Vérifiez les pièces amovibles puis remettez-les en place correctement.

### Les récipients se touchent

Éloignez légèrement les récipients les uns des autres.

---

## Remédier soi-même aux petites pannes

### Avant d'appeler le service après-vente (SAV) :

Vérifiez si vous ne pouvez pas remédier vous-même à la panne à l'aide des indications qui suivent.

Vous éviterez ainsi des dépenses inutiles car le coût des appels passés au service après-vente est à votre charge, même pendant la période de garantie !

Panne	Cause possible	Solution
La température dévie fortement par rapport au réglage.		Dans certains cas, il suffit d'éteindre l'appareil pendant 5 minutes.  Si la température est trop élevée, vérifiez après quelques heures si la température est devenue plus proche de celle réglée.  Si la température est trop basse, vérifiez à nouveau la température le lendemain.



Panne	Cause possible	Solution
L'éclairage intérieur ne fonctionne pas.	L'ampoule est défectueuse.	Remplacement de l'ampoule : <ol style="list-style-type: none"> <li>1. Débranchez la fiche mâle du secteur ou ramenez le disjoncteur en position éteinte.</li> <li>2. Retirer le cache de l'ampoule figure <b>8</b>.</li> <li>3. Remplacer l'ampoule (ampoule de rechange 220-240 V, courant alternatif, douille E14, puissance : voir l'inscription sur l'ampoule défectueuse).</li> </ol>
Le groupe frigorifique s'enclenche de plus en plus souvent et longtemps.	Ouverture fréquente du couvercle du bahut.  Les orifices de ventilation sont recouverts par des objets. Figure <b>10</b>	Ne pas ouvrir le couvercle inutilement.  Retirez les obstacles.
Le témoin "alarm" figure <b>2</b> /3 s'allume. (la température est trop élevée dans l'appareil)	Ouverture fréquente du couvercle du bahut.  Beaucoup d'aliments ont été rangés.  Les orifices de ventilation sont recouverts par des objets. Figure <b>10</b>  L'appareil se trouve près d'une source de chaleur.	Ne pas ouvrir le couvercle inutilement.  Activer la supercongélation avant de déposer des aliments.  Retirez les obstacles.  Respecter un écart minimum ou utiliser une plaque isolante.
Le voyant vert figure <b>2</b> /4 ne s'allume pas.	L'appareil est éteint.  Panne de courant ; le disjoncteur est désarmé ; la fiche mâle n'est pas complètement branchée dans la prise secteur.	Branchez la fiche mâle.  Vérifiez s'il y a du courant si le disjoncteur est en position armée.

Panne	Cause possible	Solution
Formation renforcée de givre au niveau du bord supérieur de l'appareil.	Les bouchons d'évacuation de l'eau de dégivrage ne sont pas correctement positionnés.	Positionner correctement les bouchons d'évacuation de l'eau de givrage au fond et sur l'avant de l'appareil.
	Les fixations de transport n'ont pas été retirées	Retirer les quatre fixations de transport figure <b>3</b> (voir le chapitre « Installation de l'appareil »).
	Ouverture fréquente du couvercle du bahut.	Ne pas ouvrir le couvercle inutilement.

## Service après-vente

Pour trouver le service après-vente le plus proche de chez vous, consultez l'annuaire téléphonique ou le répertoire du service après-vente (SAV). Veuillez indiquer au service après-vente la référence produit (N° E) et le numéro de fabrication (N° FD) de votre appareil.

Ces données se trouvent sur la plaque signalétique. Figure **11**

En indiquant ces données au technicien du service après-vente, vous lui épargnez des déplacements inutiles. Vous économisez ainsi des frais supplémentaires.

## Demande de réparation et conseils en cas de problème

Vous trouverez les coordonnées de tous les pays dans le répertoire du service après-vente ci-joint.

**FR** 01 40 10 12 00

**B** 070 222 142

**CH** 0848 840 040

# Güvenlik Bilgileri ve Uyarılar

## Cihazı çalıştırmadan önce

Kullanım ve montaj kılavuzunu dikkatlice okuyunuz! Cihazın kurulumu, kullanımı ve bakımı ile ilgili önemli bilgiler içeriyorlar.

Üretici, kullanım kılavuzundaki bilgileri ve uyarıları dikkate almamanız durumunda sorumlu değildir.

Belgeleri, daha sonraki kullanım veya cihazın bir sonraki sahibi için saklayınız.

## Teknik Güvenlik

Cihaz, az miktarda doğa dostu ama yanıcı soğutucu madde R600a içerir. Taşıma veya montaj sırasında, soğutucu madde dolaşımına ait boruların zarar görmemesine dikkat ediniz. Soğutucu madde sızıntısı göz yaralanmalarına neden olabilir veya tutuşabilir.

Hasar durumunda

- ateş veya ateş kaynaklarını cihazdan uzak tutunuz,
- cihazı kapatınız ve fişini çekiniz,
- odayı birkaç dakika boyunca havalandırınız,
- müşteri hizmetlerine haber veriniz.

Bir cihazda ne kadar çok soğutucu madde varsa, cihazın bulunduğu oda o kadar çok büyük olmalıdır. Çok küçük odalarda, kaçak olması durumunda, bir yanıcı gaz-hava karışımı oluşabilir.

Oda büyüklüğü, 8 g soğutucu madde başına, 1 m<sup>3</sup> olmalıdır. Cihazınıza ait soğutucu madde miktarı, cihazınızın iç kısmında bulunan tip plakasında yazmaktadır.

Eğer bu cihaza ait güç kablosu zarar görürse, üretici, müşteri hizmetleri veya benzeri bir uzman kişi tarafından değiştirilmelidir. Yanlış montaj veya onarımlar, kullanıcıyı büyük ölçüde tehlikeye sokar.

Onarımlar sadece üretici, müşteri hizmetleri veya benzeri bir uzman kişi tarafından yapılmalıdır.

Sadece üreticiye ait orijinal parçalar kullanılmalıdır. Üretici, sadece bu parçalarda, güvenlik gereksinimlerinin sağlandığını garanti eder.

Güç kablosunun uzatılması sadece müşteri hizmetleri üzerinden gerçekleştirilebilir.

## Kullanım Sırasında

- Cihazın içerisinde kesinlikle elektrikli cihazlar kullanmayınız (örneğin ısıtma cihazları, elektrikli buz makinesi vs.). Patlama tehlikesi!
- Cihazı, asla bir buharlı temizleme cihazı ile çözmezsiniz veya temizlemeyiniz! Buhar, elektrikli parçalara ulaşabilir ve bir kısa devreye neden olabilir. Elektrik çarpması tehlikesi!
- Don ve buz katmanlarını temizlemek için sivri uçlu ve keskin kenarlı nesnelere kullanmayınız. Bu şekilde, soğutucu madde borularına zarar verebilirsiniz. Soğutucu madde sızıntısı göz yaralanmalarına neden olabilir veya tutuşabilir.
- Cihaz içerisinde, yanıcı itici gaz içeren ürünler (örneğin sprey kutuları) ve patlayıcı maddeler saklamayınız. Patlama tehlikesi!
- Tabanı, sürgüleri, kapıları vs. basamak olarak veya dayanmak için kullanmayınız.
- Buz çözme ve temizlik için fişi çekiniz veya sigortayı kapatınız. Kabloyu değil, fişi çekiniz.
- Alkol oranı yüksek olanları ağız sıkıca kapalı ve dik bir şekilde saklayınız.
- Plastik parçaları ve kapı contasını yağ veya gres ile kirletmeyiniz. Yoksa plastik parçalar ve kapı contası geçirgen olur.
- Cihazdaki havalandırma deliklerinin üzerini kapatmayınız veya onları kapalı konuma getirmeyiniz.
- Bu cihaz, fiziksel, duyuşsal veya zihinsel yetenekleri kısıtlı veya bilgisi eksik kişiler (bunlara çocuklar dahildir) tarafından, ancak başlarında onların güvenliğinden sorumlu veya onlara, cihazın nasıl kullanılacağı konusunda talimat verebilecek bir kişi bulunursa kullanılabilir.

- Dondurucu bölmede şişe veya kutu içerisinde sıvı saklamayınız (özellikle gazlı içecekler). Şişe ve kutular patlayabilir!
- Dondurulmuş gıdaları asla, dondurucu bölmeden alındıktan hemen sonra ağzınıza almayınız. Dondurucu yanık tehlikesi!
- Ellerinizin, dondurulmuş gıda, buz veya buharlaşma boruları vs. ile uzun süreli temasından kaçınınız. Dondurucu yanık tehlikesi!

## Evde Çocuklar

- Ambalaj ve onlara ait parçaları çocuklara vermeyiniz. Katlanır karton ve folyo yüzünden boğulma tehlikesi!
- Cihaz, çocuklar için bir oyuncak değildir!
- Kapı kilidi olan cihazlarda: Anahtarı, çocukların ulaşamayacağı bir yerde saklayınız!

## Genel Hükümler

Cihaz;

- yiyeceklerin dondurulması için,
- buz yapımı için uygundur.

Bu cihaz, ev ve ev ortamı içinde ev kullanımı için tasarlanmıştır.

Cihazın, AB Direktifi 2004/108/EC'ye göre parazit yalıtımı yapılmıştır.

Soğutma devresinin sızdırmazlık kontrolü yapılmıştır.

Bu ürün, elektrikli ev aletleri (EN 60335-2-24) için ilgili güvenlik düzenlemelerine uygundur.

## Atıkların yok edilmesiyle ilgili uyarılar

### Ambalajın imha edilmesi

Ambalaj, taşıma sırasında cihazınızı hasarlara karşı korur. Kullanılan tüm malzemeler çevre dostudur ve geri dönüştürülebilir. Lütfen siz de yardım ediniz: Ambalajı, çevreye zarar vermeden yok ediniz.

Güncel bertaraf yöntemleri için, satıcınızla veya yerel yönetim ile temasa geçiniz.

### Eski cihazların imha edilmesi

Eski cihazlar değersiz çöp değildir! Çevreye uygun yok etme işlemi sayesinde değerli hammaddeler yeniden kazanılabilir.



Bu cihaz Avrupa Atık Elektrik ve Elektronik Eşyaların (AEEE) Kontrolü Yönetmeliği 2002/96/EC (waste electrical and electronic equipment – WEEE) ile uyumludur. Bu yönetmelik, eski cihazların, AB çapında geçerli olan geri alımı ve geri dönüşümü için bir çerçeve oluşturur.

### Uyarı

Kullanım süresini doldurmuş cihazlarda

1. Fişi çekiniz.
2. Bağlantı kablosunu kesiniz ve fişi ile birlikte çıkarınız.
3. Çocukların içeri tırmanmalarını engellemek için rafları ve kapları çıkarmayınız!
4. Çocukların, kullanım süresini doldurmuş cihazla oynamasına izin vermeyiniz. Boğulma tehlikesi!

Soğutucu cihazlar soğutucu madde ve yalıtımlarında gaz içerirler. Soğutucu maddeler ve gazlar uygun şekilde bertaraf edilmelidir. Uygun bertaraf işlemine kadar soğutucu madde devresine ait borulara zarar vermeyiniz.

## Paket içeriği

Parçaları paketin içerisinden çıkardıktan sonra, taşıma sırasında hasar görüp görmediklerini kontrol ediniz.

Şikayet durumunda, cihazı satın aldığınız satıcınıza veya müşteri hizmetlerimize başvurunuz.

Paket içeriği aşağıdaki parçalardan oluşmaktadır:

- Dikey cihaz
- Donanım (modele bağlı olarak)
- Kullanım talimatı
- Müşteri Hizmetleri Kitapçığı
- Garanti Belgesi
- Enerji tüketimi ve sesler ile ilgili bilgiler
- Montaj malzemelerini içeren torba.

## Cihazın kurulması

### Taşıma

Taşıma için cihaza kolay hareket eden tekerlekler takılmıştır. Resim 4

### ⚠ Uyarı

İhtiyaç halinde cihazı kaymaya karşı emniyete alınız.

### Taşıma emniyetinin çıkartılması

Resim 3 (tüm modellerde değil)

Kapak ile cihaz arasına takılmış olan dört adet taşıma emniyetini çıkarınız.

Bu taşıma emniyetlerinden iki tanesini cihazın arka tarafında öngörülen yerlere takınız. Bu şekilde, duvara olan asgari mesafe korunacak, kapak doğru şekilde açılacak ve havalandırma sağlanacaktır. Böylece cihazın belirlenen enerji tüketimine ulaşılır.

### Kurulum Yeri

Kurulum için, kuru ve havalandırılabilir bir ortam uygundur. Kurulum yeri, doğrudan güneş ışınlarına maruz kalmamalıdır ve fırın, ısıtıcı vs. gibi ısı kaynaklarının yakınında olmamalıdır. Bir ısı kaynağının yanına kurulum kaçınılmaz ise, uygun bir yalıtım plakası kullanınız veya ısı kaynaklarına olan aşağıdaki asgari mesafelere uyunuz:

- Elektrikli veya gazlı fırınlara 3 cm.
- Mazot veya kömürlü fırınlara 30 cm.

Cihaz duvara monte edilirse arka ve yan duvarlarla arada minimum 70 mm'lik bir mesafe bırakılması gerekir.

### Zemin

Kurulum yerinin zemini yumuşak olmamalıdır, gerekirse zemini sertleştiriniz.

Cihaz bir su terazisi ile dengeye getiriniz.

Zemindeki muhtemel bozuklukları desteklerle dengeleyiniz.

## Oda sıcaklığına ve Havalandırmaya dikkat edilmelidir

### Oda sıcaklığı

Cihaz, belirli bir iklim sınıfına göre tasarlanmıştır. Cihaz, iklim sınıfına bağlı olarak, aşağıdaki oda sıcaklıklarında çalıştırılabilir.

İklim sınıfı, tip plakası üzerinde bulunur, resim 1/10.

İklim sınıfı	İzin verilen oda sıcaklığı
SN	+10 °C 32 °C arası
N	+16 °C 32 °C arası
ST	+16 °C 38 °C arası
T	+16 °C 43 °C arası

### Not!

Cihaz, belirtilen iklim sınıfına ait oda sıcaklığı sınırları içerisinde tam işlevseldir.

Eğer SN iklim sınıfına ait bir cihaz daha soğuk oda sıcaklıklarında çalıştırılırsa, +5 °C sıcaklığa kadar cihazda herhangi bir hasar söz konusu olmaz.

## Havalandırma

Resim 10

Cihazın arka duvarındaki ve yan duvarlarındaki hava ısınır. Isınan hava, hiçbir engele takılmadan uçup gidebilmelidir. Yoksa soğutucu makine çok daha fazla çalışmak zorunda kalır. Bu da elektrik tüketimini artırır. Bu yüzden: Havalandırma aralığı üzerini kesinlikle kapatmayınız veya onları kapalı konuma getirmeyiniz!

## Cihazın bağlanması

Yerine yerleştirdikten sonra cihazı çalıştırmadan önce en az 1 saat boyunca bekleyiniz. Taşıma sırasında, kompresörde bulunan yağın soğutucu maddede saklanmış olma ihtimali mevcuttur.

İlk işletmeye alımdan önce cihazın içini temizleyiniz (bkz. bölüm "Cihazın temizlenmesi").

## Elektrik Bağlantısı

Priz cihaza yakın olmalıdır. Hatta cihaz yerine yerleştirildikten sonra da prize ulaşım kolay olmalıdır.

Cihaz, Koruma Sınıfı I kapsamına girer. Cihazı, topraklama kablosuna sahip, kurallara uygun bir şekilde monte edilmiş, 220-240 V/50 Hz alternatif akımlı prize takınız. Priz, 10 A - 16 A arası bir sigorta ile emniyete alınmış olmalıdır.

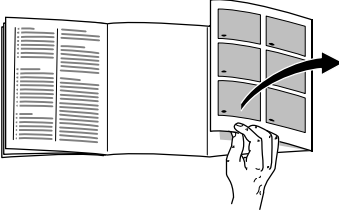
Avrupa dışı ülkelerde işletilecek olan cihazlarda, belirtilen gerilim ve akım türünün, ilgili şebeke değerleriyle uyumlu olup olmadığı kontrol edilmelidir. Bu bilgileri tip plakasında bulabilirsiniz, resim 11.

### Uyarı

Cihaz kesinlikle elektronik enerji tasarrufu prizlerine takılmamalıdır.

Cihazlarımızın kullanımında sinüs ve hat komütasyonlu invertörler kullanılabilir. Hat komütasyonlu invertörler, doğrudan elektrik şebekesine bağlanan fotovoltaik sistemlerde kullanılmaktadır. Elektrik şebekesine doğrudan bağlantısı olmayan izole uygulamalarda (örneğin gemiler veya dağ evleri), sinüs komütasyonlu invertörler kullanılmalıdır.

## Cihazı tanımak



Lütfen resimlerin olduğu son sayfayı açınız. Bu kullanım kılavuzu birden fazla model için geçerlidir.

Resimlerde tutarsızlıklar olabilir.

Resim **1**

\* tüm modellerde değil

### 1-5 Kumanda paneli

#### 6 İç aydınlatma \*

#### 7 Sepet \*

#### 8 Saklama rafı

#### 9 Tahliye tapasına sahip yoğuşma suyu tahliye deliği

#### 10 Tip plakası

#### 11 Ön soğutma rafı \*

#### 12 Çıkarılabilir ayırma duvarı \*

## Kumanda paneli

Resim **2**

### 1 “Eko” ayarı

Eğer cihaz tam dolu değilse (ayırma duvarı olan cihazlarda maksimum ayırma duvarının üzerindeki “e” işaretine kadar) enerji tasarrufu sağlamak için bu ayar seçilebilir.

### 2 Sıcaklık seçme düğmesi

Dondurucu sıcaklığını ayarlamak için sıcaklık seçme düğmesini demir para ile çeviriniz.

Konum 1: En yüksek sıcaklık

Konum 6: En düşük sıcaklık

### 3 “alarm” göstergesi

Dondurucu bölmesi çok sıcaksa kırmızı gösterge yanar.

### 4 “power” göstergesi

Cihaz açıksa yeşil gösterge yanar.

### 5 “super” tuşu

Süper dondurucu fonksiyonunu açar ve kapatır.

Süper dondurucu açıksa sarı gösterge yanar.



## Cihazın işletime alınması

### Cihazı çalıştırmak

- Cihaz bağlanıp açıldığında yeşil gösterge resim 2/4 yanar.
- Kırmızı göstergenin resim 2/3 yanması cihazın içerisindeki sıcaklığın çok yüksek olduğunu gösterir, dondurulmuş gıdaları ancak kırmızı gösterge söndükten sonra yerleştiriniz.

### Sıcaklığın ayarlanması

Sıcaklık seçme düğmesi fabrika çıkışında 4 olarak ayarlanmıştır.

Değiştirmek için sıcaklık seçme düğmesini resim 2/2 çeviriniz.

Konum 1: En yüksek sıcaklık

Konum 6: En düşük sıcaklık

Dikkat: Sıcaklık değişiklikleri etkisini yavaş gösterir.

### Çalışma ile ilgili uyarılar

- Herhangi bir sıcaklık girişi yapılmazsa cihaz açıldığında dondurucu bölmesinin sıcaklığı otomatik olarak -18 °C'ye ayarlanır.
- Kapak kapatıldıktan hemen sonra tekrar açılmamalıdır, lütfen ortaya çıkan vakum dengeleninceye kadar kapağı iki ile üç dakika boyunca açmayınız.

## Uyarı mesajları

### Sıcaklık alarmı

Dondurucu bölümündeki sıcaklık çok yüksekse (yaklaşık -9 °C) ve dondurulmuş gıdalar tehlike altındaysa "alarm" göstergesi resim 2/3 yanar.

## Kullanım kapasitesi

Kullanım kapasitesine ilişkin bilgileri tip plakası üzerinde bulabilirsiniz. Resim 11

### Dondurucu hacminin tam kullanımı

Maksimum miktarda dondurulmuş gıdayı sığdırmak için sepeti cihazdan dışarı çıkartabilirsiniz.

## Dondurucu

Dondurucunun kullanılması

- Dondurulmuş gıdanın saklanması için.
- Buz küpleri yapmak için.
- Yiyeceklerin dondurulması için.

### Not!

Cihazın daima kapalı durumda olmasına dikkat ediniz. Kapak açık olduğunda dondurulmuş gıdaların buzu çözülür. Dondurucu rafı yoğun şekilde buzlanır. Arica: Yüksek elektrik tüketimi nedeniyle enerji kaybı olur.

## Azami dondurma kapasitesi

24 saatteki azami dondurma kapasitesiyle ilgili bilgileri tip plakası üzerine bulabilirsiniz. Resim **11**

## Dondurma ve saklama

### Dondurulmuş gıda satın almak

- Ambalajı zarar görmemiş olmalıdır.
- Son kullanma tarihine dikkat ediniz.
- Yiyeceği satın aldığınız dondurucudaki sıcaklık -18 °C veya daha soğuk olmalıdır.
- Dondurulmuş gıda mümkün olduğunca bir yalıtımlı çanta ile taşınmalıdır ve en kısa sürede dondurucuya yerleştirilmelidir.

### Yerleştirme sırasında dikkat edilecekler

Büyük miktardaki yiyecekleri tercihen cihazın tabanına koyarak dondurunuz, burada özellikle hızlı donarlar ve böylece daha iyi korunurlar. Geniş yüzeyli yiyecekleri cihazın tabanına yerleştiriniz. Önceden dondurulmuş olan yiyecekleri yeni dondurulacak yiyeceklere temas ettirmeyiniz.

## Taze yiyeceklerin dondurulması

Dondurmak için sadece taze ve uygun yiyecekler kullanınız.

Besin değeri, aroma ve rengi en iyi şekilde koruyabilmek için, dondurmadan önce sebzeler kaynar su ile şoklanmalıdır. Patlıcan, biber, kabak ve kuşkonmazda bu işleme gerek yoktur.

Dondurma ve şoklama ile ilgili kitapları kitapçılarda bulabilirsiniz.

### Not!

- Dondurulacak olan yiyecekleri, zaten donmuş olan yiyeceklerle temas ettirmeyiniz.
- Dondurulmaya uygun gıdalar şunlardır: Unlu mamüller, balık ve deniz ürünleri, et, av eti, kümes hayvanları, sebze, meyve, otlar, kabuksuz yumurta, peynir, tereyağı ve çökelek gibi süt ürünleri, hazır yiyecekler ve çorbalar, güveçler, pişmiş et ve balık gibi yemek artıkları, patates yemekleri, sufler ve tatlılar.
  - Dondurulmaya uygun olmayan gıdalar: Normalde çiğ olarak tüketilen marul ve turp gibi sebze çeşitleri, kabuklu yumurta, üzüm, bütün elma, armut ve şeftali, katı pişirilmiş yumurta, yoğurt, kesilmiş süt, ekşi krema, Crème fraîche ve mayonez.

## Dondurulmuş gıda paketlenmesi

Tadlarını kaybetmesin ve kurumasin diye, yiyecekleri hava almayacak şekilde paketleniniz.

1. Yiyecekleri ambalajına yerleştiriniz.
2. Bastırarak havasını alınız.
3. Ambalajı sıkıca kapatınız.
4. Ambalajın üzerine içeriğini ve dondurucuya yerleştirme tarihini yazınız.

### Ambalaj olarak uygun olanlar:

Plastik folyo, polietilen tüp film, alüminyum folyo, dondurucu kutuları. Bu ürünleri yetkili satıcılarda bulabilirsiniz.

### Ambalaj için uygun olmayanlar:

Ambalaj kağıdı, parşömen kağıdı, selofan, çöp torbaları ve kullanılmış alışveriş torbaları.

### Sızdırmazlığı sağlamak için uygun olanlar:

Lastik bantlar, plastik klipler, ip, soğuğa karşı dayanıklı yapışkan bantlar veya benzeri.

Polietilen torba ve tüp filmler bir folyo kaynak cihazı ile kaynatılabilir.

## Dondurulmuş gıdanın saklama ömrü

Saklama ömrü yiyeceğin türüne bağlıdır.

-18 °C'lik bir sıcaklıkta:

- Balık, sucuk, hazır yemekler, unlu mamüller:  
6 aya kadar.
- Peynir, kümes hayvanları, et:  
8 aya kadar.
- Sebze, meyve:  
12 aya kadar.

## Süper dondurma

Yiyecekler mümkün olduğunca hızlı bir şekilde çekirdeğine kadar dondurulmalıdır. Böylece vitaminler, besin değerleri, görünüş ve tat korunur.

Taze yiyeceklerin yerleştirilmesi sırasında istenmeyen bir sıcaklık artışının ortaya çıkmaması için yiyecekleri yerleştirmeden bir saat önce süper dondurma modunu açınız.

Genel olarak 4-6 saat yeterlidir.

Azami dondurma kapasitesi kullanılmıyorsa 24 saat gereklidir.

Küçük miktarlardaki yiyecekler (dondurma kapasitesinin yaklaşık %10'u) süper dondurma kullanılmadan dondurulabilir.

Süper dondurma modunun açılması ve kapatılması için "super" tuşuna resim **2/5** basınız.

"super" göstergesinin yanmasıyla işleme alma gösterilir resim **2/5**. Soğutucu artık sürekli olarak çalışır. Dondurucu bölmesinde düşük bir sıcaklığa erişilir.

## Dondurulmuş gıdanın çözülmesi

Türüne ve kullanım amacına göre aşağıdaki seçenekler den biri seçilebilir:

- oda sıcaklığında,
- buzdolabında,
- sıcak hava fanlı/fansız elektrikli fırında,
- mikrodalga cihazında.

### Not!

Dondurulmuş ve çözülmüş gıdaları tekrar dondurmuyunuz. Ancak gıdalar yeniden işlendikten sonra (pişirme veya kızartma) tekrar dondurulabilir.

Dondurulmuş gıdanın azami saklama süresini artık sonuna kadar kullanmayınız.

## Cihaz donanımı

### Ön soğutma rafı

Resim 11/11 (tüm modellerde değil)

Ön soğutma rafında taze yiyecekler özellikle hızlı donarlar ve böylece daha iyi korunurlar. Geniş yüzeyli yiyecekleri cihazın tabanına ve ön soğutma rafının yan duvarına yerleştiriniz.

### Sepet

Resim 9

Küçük dondurulmuş gıdaların saklanması için.

Eğer sepet cihazın tabanına yerleştirilmeliyse önce tutamaklar çıkarılmalı veya içeriye doğru katlanmalıdır.

İhtiyaç halinde yetkili satıcıdan cihaza uygun başka sepetler de temin edilebilir resim 12.

## Çıkartılabilir ayırma duvarı

Resim 6 (tüm modellerde değil)

Ayırma duvarı, ön soğutma rafındaki yeni dondurulacak yiyeceklerle saklama rafındaki önceden dondurulmuş yiyeceklerin temas etmesini engeller.

Eğer bu çıkartılır ve kapağın tabanına yerleştirilirse örneğin çilek gibi küçük dondurulmuş gıdalar hızlı ve tek tek dondurulabilir. Buz çözme sırasında yoğuşma suyunun toplanması için boşaltma kanalının altına yerleştirilebilir.

## Cihazın kapatılması ve beklemeye alınması

### Cihazın kapatılması

- Fişi çekiniz veya sigortayı kapatınız.

### Cihazın beklemeye alınması

Eğer cihaz uzun bir süre kullanılmıyacaksa:

1. Tüm yiyecekleri cihazın içerisinden çıkarınız.
2. Cihazı kapatınız.
3. Cihazın buzunu çözünüz (bkz. Bölüm "Buz çözme").
4. Cihazın içini temizleyiniz (bkz. Bölüm "Cihazın temizlenmesi").
5. Koku oluşumunu engellemek için kapağı açık bırakınız.

## Buz çözme

Hazne duvarlarındaki buz tabakası dondurulmuş gıdaların soğutulmasını olumsuz yönde etkiler ve enerji tüketimini artırır. Düzenli olarak buz tabakasını temizleyiniz.

### Genel ipuçları

- Doldurma ve boşaltma sırasında kapağı mümkün olduğunca kısa süre açık tutunuz.
- Üstten kapaklı dondurucuyu nemli ortamlara yerleştirmeyiniz. Havadaki nemin yüksek olması buz oluşumuna yardımcı olur.
- Taze yiyecekleri mümkün olduğunca hava almayacak şekilde paketleniz.

### Dikkat

Buz tabakasını veya buzu bıçak veya sivri cisimlerle kazımayınız. Bu şekilde, soğutucu madde borularına zarar verebilirsiniz. Soğutucu madde sızıntısı göz yaralanmalarına neden olabilir veya tutuşabilir.

### Cihazın buzunun çözülmesi

- Yakl. İçindeki yiyeceklerin dondurulması için buzu çözmeden 4 saat önce süper dondurma modunu açınız.
- Dondurulmuş gıdaları boşalttıktan sonra birkaç kat gazete kağıdına veya örtüye sarınız ve serin bir yerde muhafaza ediniz.
- Kapağı açık bırakınız ve prizi çekiniz.

- Dışarıdaki boşaltma tapasını resim 7/1 çıkarınız, yassı çekmeceyi veya varsa cihazın ayırma duvarını resim 7/2 çıkarınız, yoğuşma suyunu toplamak için yoğuşma suyu boşaltma deliğinin altına yerleştiriniz resim 7/3 ve içerideki boşaltma tapasını resim 7/4 çıkarınız.
- Buz çözme işleminden sonra cihazı temizleyiniz ve içini silerek kurulaştırınız.
- Yoğuşma suyu boşaltma deliğini her iki boşaltma tapasıyla kapatınız, ayırma duvarını yerleştiriniz, cihazı şebekeye bağlayınız ve dondurulmuş gıdaları tekrar yerleştiriniz.

### Buz çözme yardımı

Buz çözme işlemi için kullanılan plastik bir spatula kullanılarak buz tabakası kazınabilir

### Uyarı

Buz çözmek için asla ısıtma cihazları, buharlı temizlik cihazları, mum, gaz lambaları vb. gibi elektrikli cihazlar, buz çözme spreyleri veya açık ateş kullanmayınız.

Buz çözme işlemi hızlandırmak için cihazın içerisinde içinde sıcak su bulunan tencere yerleştirmeyiniz.

## Cihazın temizlenmesi

Her buz çözme işleminden sonra dondurucu bölmenin temizlenmesi iyi olur.

### Dikkat

- Cihazı asla buharlı temizleme cihazı ile temizlemeyiniz!
- Kum, klorür ya da asit içeren temizlik maddeleri ve solventler kullanmayınız.
- Aşındırıcı veya çizen süngerler kullanmayınız. Metal yüzeylerde korozyon meydana gelebilir.
- Aksesuarları asla bulaşık makinesinde yıkamayınız. Parçalar deformasyona uğrayabilir!
- Deterjanlı su kumanda paneline veya aydınlatmaya girmemelidir.

### Aşağıdaki gibi hareket ediniz:

1. Temizlikten önce fişi çekiniz veya sigortayı kapatınız!
2. Dondurulmuş gıdaları çıkarınız ve serin bir yerde saklayınız. Yiyeceklerin üzerine buz aküleri (eğer paketten çıktıysa) yerleştiriniz.
3. Cihazı yumuşak bir bez, ılık su ve pH değeri nötr olan biraz bulaşık deterjanı ile temizleyiniz.
4. Kapı contasını duru su ile siliniz ve sonra iyice kurulaştırınız.
5. Temizlik sona erdikten sonra cihazı çalıştırınız.
6. Dondurulmuş gıdaları tekrar cihaza yerleştiriniz.

## Enerji tasarrufu

- Cihazı serin, kuru, iyi havalandırılabilen bir odaya yerleştiriniz! Cihaz, doğrudan güneşe maruz bırakılmamalıdır veya ısı kaynaklarının yakınına yerleştirilmemelidir (örneğin ısıtıcılar, fırın). Gerekirse bir izolasyon plakası kullanınız.
- Sıcak yiyeceklerin önce soğumasını bekleyiniz ve sonra cihaza yerleştiriniz!
- Dondurulmuş gıdaların çözülmesi için, onları soğutma bölümüne koyunuz. Dondurulmuş gıdaları soğutunuz, yiyecekleri soğutmak için kullanılması.
- Cihazı, olabildiğince kısa süreler için açınız!
- Dondurucu bölümündeki buz tabakası dondurulmuş gıdaların soğutulmasını olumsuz yönde etkiler enerji tüketimini artırır. Buz tabakası oluşması durumunda cihazın buzunu çözülmelidir!
- Daha fazla elektrik tüketiminin önlenmesi için, cihazın arka yüzü ara sıra temizlenmelidir.
- Sadece orta miktarda yiyecek (maksimum dondurma kapasitesinin yakl. %40-%60'ı) dondurulacaksa 6 saatlik süper dondurma sonrasında yiyecekler yerleştirilebilir ve süper dondurma modu kapatılabilir.
- Cihaz sadece kısmen (ayırma duvarı olan cihazlarda ayırma duvarının üzerindeki "e" işaretini geçmeyecek şekilde) yiyeceklerle doldurulmuşsa tasarruf ayarı "eco" kullanılmalıdır.

## Çalışma sesleri

### Tamamen normal sesler

Uğultu - Soğutma ünitesi çalışıyor.

Şırlıltı, hışırtı veya çağlama sesleri - borulardan soğutma gazı geçiyor.

Tıklama - Motor açılıyor veya kapanıyor.

Cihazın açılması sırasında tıklama - Işık şalteri açılıyor.

## Seslerin önlenmesi

### Cihaz düz durmuyor

Lütfen cihazı bir su terazisi yardımıyla düz hale getiriniz. Zemindeki muhtemel bozuklukları desteklerle dengeleyiniz.

### Cihaz "dayanıyor"

Lütfen cihazı dayandığı mobilyalardan veya cihazlardan iterek ayırınız.

### Sepetleri veya ayırma plakasını sallayınız veya sıkıştırınız

Lütfen çıkarılabilir parçaları kontrol ediniz ve onları yeniden yerleştiriniz.

### Kaplar temas ediyor

Lütfen kapları birbirinden hafifçe ayırınız.

## Küçük arızaları kendi kendinize giderme

### Müşteri hizmetlerini aramadan önce:

Arızayı, aşağıdaki bilgilere istinaden kendiniz giderip gideremeyeceğinizi kontrol ediniz.

Müşteri hizmetleri danışma bedelini kendiniz ödemek zorundasınız – cihaz garanti kapsamında olsa bile!

Arıza	Olası neden	Çözüm
Sıcaklık, ayarlanan sıcaklığa göre çok fazla farklılık gösteriyor.		Bazı durumlarda cihazı 5 dakikalığına kapattığınızda yeterli oluyor. Eğer sıcaklık çok yüksekse, birkaç saat sonra, bir sıcaklık yaklaşımı gerçekleşip gerçekleşmediğini kontrol ediniz. Eğer sıcaklık çok düşükse, bir sonraki gün bir kez daha kontrol ediniz.

Arıza	Olası neden	Çözüm
İç aydınlatma çalışmıyor.	Ampul arızalı.	Ampülü değiştiriniz: 1. Fişi çekiniz veya sigortayı kapatınız. 2. Lamba kapağını resim 8 çıkarınız. 3. Ampulün değiştirilmesi (Yedek lamba, 220-240 V alternatif akım, taban E14, Watt bkz. arızalı lamba).
Soğutucu sık sık ve uzun sürede açılır.	Üst kapağın sık sık açılması. Havalandırma aralığı kapalı. Resim 10	Kapağı gereksiz yere açmayınız. Engelleri kaldırınız.
“alarm” göstergesi Resim 2/3 yanıyor. (cihazın içi çok sıcak).	Üst kapağın sık sık açılması. Çok fazla yiyecek yerleştirilmiş. Havalandırma delikleri kapalı. Resim 10 Cihaz, ısı kaynağının yanında duruyor.	Kapağı gereksiz yere açmayınız. Yerleştirmeden önce süper dondurucuyu açınız. Engelleri kaldırınız. Minimum mesafeye uyunuz veya izolasyon plakası kullanınız.
Yeşil kontrol ışığı Resim 2/4 yanmıyor.	Cihaz kapalı. Elektrik kesintisi; sigorta kapalı; fiş tam oturmamış.	Fişi takınız. Elektrik olup olmadığını, sigortaları kontrol ediniz.
Cihazın üst kenarında yoğun buz oluşumu.	Yoğuşma suyu tapaları doğru oturmemiş. Taşıma emniyetleri çıkartılmamış. Üst kapağın sık sık açılması.	Cihazın tabanındaki ve ön tarafındaki yoğuşma suyu tapalarını doğru takınız. Dört adet taşıma emniyetinin tümünü resim 3 çıkarınız (bkz. bölüm "Cihazın kurulması"). Kapağı gereksiz yere açmayınız.



---

## Müşteri hizmetleri

Size en yakın müşteri hizmetlerini telefon rehberinden veya müşteri hizmetleri dizininden bulabilirsiniz. Lütfen müşteri hizmetlerine cihazın ürün numarasını (E-No.) ve üretim numarasını (FD-No.) veriniz.

Bu bilgileri tip plakasında bulabilirsiniz.  
Resim **11**

Lütfen ürün ve üretim numaralarını belirterek, servisin gereksiz yere gelmesini önlemeye yardımcı olunuz. Böylece, buna bağlı ek masraflardan tasarruf etmiş olursunuz.

## Arızalarda onarım siparişi ve danışmanlık

Tüm ülkelere ait iletişim bilgilerini, ekteki müşteri hizmetleri dizininden bulabilirsiniz.

**TR** 444 6688



المشكلة	الأسباب المحتملة	الحل
تزايد تكوّن الثلج على الركن العلوي للجهاز.	سدادات الماء المتكثف ليست في موضعها الصحيح.	أدخل سدادات الماء المتكثف بالشكل الصحيح على أرضية الجهاز وعلى مقدمة الجهاز.
	لم يتم خلع أقفال النقل	اخلع أقفال النقل الأربعة، شكل 3 (انظر جزء «تركيب الجهاز»).
	يتم فتح غطاء الديب فريزر لمرات عديدة.	لا تفتح الغطاء دون داع.

## خدمة ما بعد البيع

تجد أقرب مركز خدمة ما بعد البيع بالنسبة إليك في دليل الهاتف أو في قائمة مراكز خدمة ما بعد البيع. عند اتصالك بمركز خدمة ما بعد البيع، اذكر رقم المنتج (E no.) ورقم الصنع (FD no.) الخاصين بجهازك.

وتجد هذه البيانات على لوحة الصنع. شكل 11

من فضلك ساعدنا على تجنب الذهاب إليك دون داع من خلال ذكر رقم المنتج ورقم الصنع. وبذلك توفر على نفسك تحمل النفقات الإضافية نظير ذلك.

## طلب الإصلاح والمشورة في حالة الأعطال

الدليل المرفق لمراكز خدمة ما بعد البيع يحتوي على بيانات الاتصال الخاصة بجميع البلدان.

المشكلة	الأسباب المحتملة	الحل
الإضاءة الداخلية لا تعمل.	لمبة الإضاءة معطوبة.	قم بتغيير لمبة الإضاءة: 1- افصل قابس الجهاز عن الكهرباء أو أوقف عمل قاطع الدائرة الكهربائية. 2- اخلع غطاء الللمبة، شكل 8.
وحدة التبريد تعمل على فترات أقصر من المعتاد ولفترات طويلة نسبياً.	يتم فتح غطاء الديب فريزر لمرات عديدة. تم تغطية فتحات التهوية. شكل 10	3- قم بتغيير لمبة الإضاءة (لمبة الإضاءة البديلة: 220-240 فُلط تيار متناوب، مقبس E14، انظر الللمبة المعطوبة لمعرفة القدرة الكهربائية بالواط). لا تفتح الغطاء دون داع. قم بإزالة أية عوائق.
تضيء لمبة البيان "alarm" (شكل 2/3). (الجهاز ساخن للغاية).	يتم فتح غطاء الديب فريزر لمرات عديدة. تم وضع كميات كبيرة من المواد الغذائية في حيز التجميد. تم تغطية فتحات التهوية. شكل 10	لا تفتح الغطاء دون داع. قم بتشغيل وظيفة التجميد السريع قبل وضع المواد الغذائية في حيز التجميد. قم بإزالة أية عوائق.
لمبة الكنترول الخضراء (شكل 2/4) لا تضيء.	الجهاز متواجد بجانب مصدر سخونة. تم إيقاف الجهاز. انقطاع التيار الكهربائي، تم إيقاف خاصية الحماية بالفيزوات، لم يتم إدخال القابس الكهربائي في المقبس بشكل جيد.	التزم بأدنى مسافة مقررّة أو استخدم لوحاً عازلاً. قم بتوصيل القابس الكهربائي. تحقق من مرور التيار الكهربائي، وافحص الفيوزات.

## منع الأصوات

## الأصوات الصادرة عند التشغيل

### الأصوات العادية تماماً

الطنين - وحدة التبريد مشغلة.

أصوات بلوب أو غرغرة أو أزيز - وسيط التبريد يتدفق في المواسير.

صوت كليك - يتم تشغيل المحرك أو إيقافه.

صوت كليك عند فتح الغطاء - يتم تشغيل المصباح.

في حالة ضبط وضعية الجهاز بشكل غير مستوي استخدم ميزاناً كحولياً لمحاذاة الجهاز بحيث يصبح مستويًا. قم بتسوية أية مواضع غير مستوية بالأرضية باستخدام رقائق المبادعة التدعيمية.

إذا كان الجهاز متلامساً مع قطع الأثاث أو الأجهزة المجاورة له

يرجى إبعاد الجهاز عن قطع الأثاث أو الأجهزة المجاورة له.

السلال أو الألواح الفاصلة تهتز أو ملتصقة

افحص الأجزاء القابلة للفك ثم عاود تركيبها إذا لزم الأمر.

تلامس الأوعية

أبعد الأوعية عن بعضها قليلاً.

## تغلب بنفسك على الأعطال البسيطة

قبل أن تتصل بخدمة ما بعد البيع:

تأكد ما إذا كان بإمكانك التغلب على العطل بنفسك من خلال الرجوع إلى الإرشادات التالية.

يتعين عليك تحمل نفقات المشاورات التي تجريها مع مراكز خدمة ما بعد البيع - حتى أثناء فترة الضمان.

المشكلة	الأسباب المحتملة	الحل
درجة الحرارة تختلف كثيراً عما تم تحديده في وضع الضبط.		في بعض الأحيان، يكفي إيقاف الجهاز لمدة 5 دقائق.
		إذا كانت درجة الحرارة مرتفعة للغاية، فانتظر لبضع ساعات ثم راجع ما إذا كانت درجة الحرارة قد انسجمت مع درجة الحرارة التي تم ضبطها.
		إذا كانت درجة الحرارة منخفضة للغاية، فانتظر حتى اليوم التالي ثم راجع درجة الحرارة مرة أخرى.

## توفير الطاقة

- قم بتركيب الجهاز في غرفة باردة وجافة وبها تهوية جيدة. يجب تركيب الجهاز بعيداً عن أشعة الشمس المباشرة وبعيداً عن مصادر السخونة (مثل وحدات التدفئة والمواقف). وإذا لزم الأمر استخدم لوحاً عازلاً.
- اترك المواد الغذائية الساخنة تبرد قبل وضعها داخل الجهاز.
- ضع المواد الغذائية المجمدة المراد إذابة التجمد عنها داخل حيز التبريد لديك. واستخدم درجة الحرارة المنخفضة للمواد الغذائية المجمدة لتبريد المواد الغذائية.
- افتح باب الجهاز لفترة قصيرة قدر الإمكان.
- وجود طبقة من الثلج داخل حيز التجميد تعيق فعالية التبريد على المواد الغذائية المجمدة وتزيد من استهلاك الكهرباء. يجب أن تقوم بإزالة الثلج عن الجهاز في حالة وجود طبقة من الثلج.
- قم بتنظيف ظهر الجهاز من وقت لآخر لتفادي زيادة استهلاك الكهرباء.
- في حالة تجميد كميات متوسطة فقط من المواد الغذائية (حوالي 40%-60% من سعة التجميد القصوى)، فيمكنك أن تضع المواد الغذائية داخل حيز التجميد بعد 6 ساعات من التجميد السريع، ثم أوقف التجميد السريع.
- في حالة ملء الجهاز بالمواد الغذائية بشكل غير كامل (دون العلامة "e" على لوح الفصل في حالة وجود لوح فصل مورد مع الجهاز)، فاستخدم وضع الضبط الموفر للطاقة "eco".

## تنظيف الجهاز

يجب تنظيف حيز التجميد بشكل سليم بعد كل مرة يتم فيها إذابة التجمد.



تنبيه

- لا تقم أبداً بتنظيف الجهاز بجهاز تنظيف البخار.
- لا تستخدم مذيبات أو منظفات محببة أو حمضية أو ذات قاعدة كلور.
- لا تستخدم أية مواد خشنة أو أية مواد قد تخدش الأسطح. فقد يؤدي ذلك إلى ظهور صدأ على الأسطح المعدنية.
- لا تقم أبداً بتنظيف أية كماليات للجهاز في غسالة الأطباق. فقد تطراً تغييرات على شكل هذه الأجزاء.
- الماء المستخدم في الشطف لا يجوز أن يتوغل في لوحة التحكم أو تجهيزة الإضاءة.

## اتباع الخطوات التالية:

- 1- قبل تنظيف الجهاز، انزع القابس الكهربائي أو افصل الفيوز.
- 2- أخرج المواد الغذائية المجمدة وقم بتخزينها في مكان بارد. ضع لوح ثلج (في حالة توافره لديك) على المواد الغذائية.
- 3- قم بتنظيف الجهاز بقطعة قماش ناعمة وبعض من الماء الفاتر وقليل من المنظف متعادل الرقم الهيدروجيني.
- 4- امسح إطار إحكام غلق الباب بماء نظيف فقط، ثم امسحه إلى أن يجف.
- 5- بعد التنظيف، أعد توصيل الجهاز بالكهرباء ثم قم بتشغيله.
- 6- ضع المواد الغذائية المجمدة في الجهاز مرة أخرى.

## إذابة الثلوج

وجود طبقة من الثلج على أرفف الجهاز تعيق فعالية التبريد على المواد الغذائية المجمدة وتزيد من استهلاك الكهرباء. ويجب أن تزيل طبقات الثلج التي تتكون على فترات منتظمة.

### إرشادات عامة

■ عند وضع المواد الغذائية داخل الجهاز أو إخراجها منه، افتح غطاء الديب فريزر لفترة قصيرة قدر الإمكان.

■ لا تضع الديب فريزر في مكان رطبة. حيث إن ارتفاع درجة الرطوبة يساعد على تكوّن الثلوج.

■ قم بتغليف المواد الغذائية الطازجة واجعلها محكمة قدر الإمكان ضد تسرب الهواء.

### ⚠ تنبيه

لا تكشف طبقة الثلج باستخدام سكين أو أداة حادة. فقد ينجم عن ذلك إلحاق الضرر بمواسير وسيط التبريد. في حالة تسرب وسيط التبريد، فإنه يمكن أن يشتعل أو يؤدي إلى حدوث إصابات بالأعين.

### إذابة التجمد عن الجهاز

■ قم بتشغيل وظيفة التجميد السريع لمدة 4 ساعات تقريباً قبل إذابة التجمد لضمان تجميد المواد الغذائية بالكامل.

■ ثم أخرج المواد الغذائية المجمدة وقم بتخزينها في طبقات متعددة من ورق الجرائد أو قم بلفها في بطانية ثم ضعها في مكان بارد.

■ اترك الغطاء مفتوحاً ثم انزع القابس الكهربائي.

■ اخلع سداة التصريف الخارجية (شكل 7/1)، ثم اخلع الدرج المسطح أو لوح الفصل - في حالة وجوده - من الجهاز (شكل 7/2)، ثم ضعه أسفل فتحة تصريف الماء المتكثف لتجميع الماء المتكثف (شكل 7/3). ثم اخلع سداة التصريف الداخلية (شكل 7/4).

■ بعد إذابة التجمد، قم بتنظيف الجهاز وامسحه من الداخل لتجفيفه.

■ استخدم سداتي التصريف لسد موضع تصريف الماء المتكثف بإحكام، ثم قم بتركيب لوح الفصل، وأخيراً قم بتوصيل الجهاز بالكهرباء وأعد ترتيب المواد الغذائية المجمدة.

### وسائل المساعدة على إذابة التجمد

لإجراء عملية إذابة التجمد بسرعة، يمكنك استخدام الكاشطة البلاستيكية لإزالة طبقة الثلج

### ⚠ تحذير

لا تستخدم أبداً الأجهزة الكهربائية ولا اسبريهاث إذابة التجمد ولا اللهب المكشوف لإذابة التجمد عن الديب فريزر، ومن الأمثلة على ذلك أجهزة التدفئة وأجهزة التنظيف بالبخار والشمع المشتعل والمصابيح الزيتية وخلافه.

لا تضع أية أواني بها الماء الساخن في الجهاز لتسريع عملية إذابة التجمد.

## لوح الفصل القابل للخلع

شكل 6 (لا يسري على بعض الموديلات)

يعمل لوح الفصل على منع المواد الغذائية الطازجة المراد تجميدها في حيز تجميد الطازج من ملامسة المواد الغذائية المجمدة بالفعل في حيز التخزين. إذا سحبت لوح الفصل للخارج ووضعت على أرضية الديب فريزر، فمن الممكن تجميد القطع الصغيرة من المواد الغذائية المجمدة (مثل الفراولة) بسرعة، وبشكل منفصل. عند إذابة التجمد عن المواد الغذائية، يمكنك وضع لوح الفصل أسفل قناة التصريف لجمع الماء الناتج عن إذابة التجمد.

## إذابة التجمد عن المواد الغذائية المجمدة

يمكنك الاختيار من بين الوظائف الاختيارية التالية تبعاً لنوعية المواد الغذائية والغرض من استخدامها:

- في درجة حرارة الغرفة،
- في حيز التبريد،
- في الفرن الكهربائي المزود/ غير المزود بمروحة الهواء الساخن،
- في فرن الميكروويف.

### ملحوظة!

لا تعاود تجميد المواد الغذائية التي أذيب عنها التجمد. حيث لا يمكن إعادة تجميدها إلا بعد طهيها (طبخها أو تحميرها).

لا تواصل حفظ المواد الغذائية المجمدة حتى مدة الحفظ القصوى.

## إيقاف الجهاز لفترة مؤقتة أو طويلة

### إيقاف الجهاز لفترة مؤقتة

- افصل قابس الجهاز عن شبكة الكهرباء أو قم بإيقاف وظيفة أمان الأطفال.

### إيقاف الجهاز لفترة طويلة

في حالة عدم استخدام الجهاز لفترات طويلة نسبياً:

- 1- أخرج كل المواد الغذائية من الجهاز.
- 2- قم بإيقاف الجهاز.
- 3- قم بإذابة التجمد عن الجهاز (انظر جزء «إذابة التجمد»).
- 4- قم بتنظيف الجهاز من الداخل (انظر جزء «تنظيف الجهاز»).
- 5- لتجنب تَكُونِ الروائح الكريهة اترك غطاء الجهاز مفتوحاً.

## خصائص الجهاز

### درج ما قبل التجميد

شكل 11/1 (لا يوجد في بعض الموديلات)

يمكن في درج ما قبل التجميد تجميد المواد الغذائية الطازجة بسرعة وبرفق. ضع المواد الغذائية على نطاق عريض على أرضية درج ما قبل التجميد وعلى الأرفف الجانبية له.

### السلة القابلة للخلع

شكل 9

لحفظ المواد الغذائية المجمدة.

إذا أردت أن تضع السلال على أرضية الجهاز، فقم أولاً بخلع المقابض أو اطوها للداخل.

عند اللزوم، يمكنك شراء المزيد من السلال من المحال التجارية المتخصصة إذا ذكرت مسمى الجهاز بدق، شكل 12.



## التجميد الفائق SuperFreezing

يجب تجميد المواد الغذائية بالكامل بأقصى سرعة ممكنة. فهذا يضمن احتفاظها بالفيتامينات والقيمة الغذائية والمظهر والطعم.

للتحقق من عدم حدوث ارتفاع غير مرغوب في درجة الحرارة أثناء وضع المواد الغذائية الطازجة في الديب فريزر، قم بتشغيل خاصية التبريد الفائق SuperFreezing لعدة ساعات قبل عمل ذلك.

بوجه عام، فإن 4 إلى 6 ساعات تعتبر مدة كافية.

يتطلب الحصول على طاقة التجميد القصوي، تشغيل الجهاز لمدة 24 ساعة.

من الممكن تجميد الكميات الصغيرة من المواد الغذائية (10% من سعة التجميد تقريبا) دون الحاجة إلى التبريد الفائق SuperFreezing.

لتشغيل وإيقاف التبريد الفائق SuperFreezing، اضغط على زر "super" (فائق) واحتفظ به مضغوطا، شكل 2/5.

فتضيء لمبة البيان "super" (فائق) لتشير إلى بدء تشغيل الفريزر، شكل 2/5. سوف تستمر وحدة التبريد الآن في العمل بشكل مستمر. ونحصل على درجة حرارة منخفضة في حيز التجميد.

## تغليف المواد الغذائية المجمدة

قم بتغليف المواد الغذائية بحيث تكون محكمة الغلق كي لا تفقد نكهتها أو تحف.

1- قم بتخزين المواد الغذائية في عبواتها.

2- قم بتفريغ الهواء بالكامل.

3- أغلق العبوة بإحكام.

4- ضع ملصقات على العبوات توضح محتواها وتاريخ تجميدها.

### ما يلي يصلح كعبوات:

الأغلفة البلاستيكية، ورقائق البولي إيثيلين، ورقائق الألومنيوم والعلب المخصصة للتجميد. يمكنك الحصول على هذه المنتجات من خلال التاجر المختص.

### ما يلي لا يصلح كعبوات:

ورق التغليف والورق المصمت المقاوم للشحوم والسلفان وأكياس القمامة وأكياس التسوق المستعملة.

### ما يلي يصلح لإحكام غلق عبوات التغليف:

الحلقات المطاطية والمشابك البلاستيكية وأشرطة الربط والأشرطة اللاصقة المقاومة للبرودة أو ما يشبهها.

من الممكن إحكام غلق أكياس البولي إيثيلين والرقائق الخرطومية باستخدام مانع تسرب.

## عمر حفظ المواد الغذائية المجمدة

يتوقف عمر الحفظ على نوع المواد الغذائية.

في درجة حرارة -18°م:

■ السمك، السجق، الأطعمة المطبوخة، المخبوزات: حتى 6 أشهر

■ الجبن، الطيور الداجنة، اللحم: حتى 8 أشهر

■ الخضروات، الفاكهة: حتى 12 شهرا

## تجميد المواد الغذائية الطازجة

قم بتجميد المواد الغذائية الطازجة وغير التالفة فقط.

قم بسلق الخضراوات قليلا قبل تجميدها للحفاظ على قيمتها الغذائية ونكهتها ولونها قدر الإمكان. عملية السلق غير مطلوبة بالنسبة للباذنجان والفلفل والكوسة والهلين.

يمكنك الإطلاع على المؤلفات المتعلقة بالتجميد والسلق من خلال المكتبات.


### ملحوظة!

لا تضع المواد الغذائية المراد تجميدها بجوار المواد الغذائية المجمدة.

■ كل ما يلي صالح للتجميد:  
المخبوزات، السمك والأطعمة البحرية، اللحم، لحوم الصيد، الطيور الداجنة، الخضراوات، الفاكهة، الأعشاب، البيض منزوع القشرة، منتجات الألبان مثل الجبن والزبدة والجبن الأبيض، والطعام المطبوخ أو ما تبقى منه مثل الشوربة والمرق واللحم والسمك المطبوخ، أطباق البطاطس والكسرولة المطبوخة والحلويات.

■ ما يلي غير صالح للتجميد:  
أنواع الخضراوات التي تؤكل نيئة – مثل السلطة الخضراء، الفجل، البيض غير المقشر، العنب، التفاحات الكاملة، الكمثرى والخوخ، البيض المسلوق، الزبادي، اللبن الرايب، قشدة حامضية، crème fraîche والمايونيز.

## سعة التجميد القصوى

تتوفر معلومات حول سعة التجميد القصوى خلال 24 ساعة على لوحة الصنع. شكل 

## التجميد والتخزين

### شراء المواد الغذائية المجمدة

- يجب عدم إزالة التغليف.
- قم بمراعاة تاريخ الصلاحية.
- يجب أن تكون درجة الحرارة في أجهزة الديب فريزر التجارية -18°م أو أقل.
- يجب أن يتم نقل المواد الغذائية المجمدة في أوعية معزولة ووضعها سريعا بقدر الإمكان في حيز التجميد.

### عند ترتيب المواد الغذائية، قم بمراعاة ما يلي:

من الأفضل تجميد الكميات الأكبر من المواد الغذائية على أرضية الجهاز حيث يتم تبريدها بسرعة أكبر. ضع المواد الغذائية بحيث تغطي مساحة واسعة من أرضية الجهاز. يجب ألا تتلامس المواد الغذائية المجمدة سلفا مع المواد الغذائية حديثة التجميد.

## استعمال الجهاز

### تشغيل الجهاز

- فور توصيل الجهاز، يتم تشغيله وتضيء لمبة البيان الخضراء، شكل 2/4.
- في حالة إضاءة لمبة البيان الحمراء (شكل 2/3)، فهذا يعني أن درجة حرارة الجهاز مرتفعة للغاية ولا يجوز وضع إلا المواد الغذائية المجمدة في قسم التجميد فور انطفاء لمبة البيان الحمراء هذه.

### ضبط درجة الحرارة

تم ضبط مفتاح اختيار درجة الحرارة على الوضع 4 من قبل المصنع.

ولتغيير درجة الحرارة، أدر مفتاح اختيار درجة الحرارة، شكل 2/2.

الوضع 1: أعلى درجة حرارة

الوضع 6: أدنى درجة حرارة

هام: تغيير درجة الحرارة يستغرق وقتاً قبل دخول حيز التنفيذ.

### ملاحظات على استخدام الجهاز

- عند تشغيل الجهاز، يتم ضبط درجة حرارة قسم التجميد على  $-18^{\circ}\text{C}$  في حالة عدم إدخال درجة الحرارة.

- إذا لم تتمكن من فتح الغطاء بعد إغلاق الباب فريزر مباشرة، فيرجى الانتظار لدقيقتين أو ثلاثة إلى حين معادلة أثر الشفط الناتج.

## رسائل التحذير

### تحذير درجة الحرارة

تضيء لمبة البيان "alarm" (إنذار) إذا ارتفعت درجة الحرارة جدا داخل قسم التجميد ( $-9^{\circ}\text{C}$  تقريبا) بما يعرض المواد الغذائية المجمدة للخطر، شكل 2/3.

## حجم الاستخدام

تتوفر المعلومات المتعلقة بحجم الاستخدام على لوحة الصنع. شكل 11

### استغلال سعة التجميد بالكامل

لتخزين أقصى كمية من المواد الغذائية المجمدة، يمكنك إزالة السلة من الجهاز.

## حيز التجميد

استخدم قسم التجميد فيما يلي:

- حفظ المواد الغذائية المجمدة.
- لإعداد مكعبات الثلج.
- لتجميد المواد الغذائية.

### ملحوظة!

تأكد دائماً أن الجهاز مغلق. فإذا ظل الغطاء مفتوحاً يذوب التجمد عن المواد الغذائية. يقوم قسم التجميد بالتبريد بصورة بطيئة. بالإضافة إلى ذلك: يحدث فقدان للطاقة نتيجة الاستهلاك الزائد للطاقة.

# التعرف على جهازك الجديد لوحة التحكم

شكل 2

## 1 وضع الضبط "eco" (اقتصادي)

عندما يكون الجهاز مملوء جزئياً (في الأجهزة المزودة بلوح فاصل، درجة الملاء القصوى حتى بلوغ العلامة "e" على اللوح الفاصل)، يمكن اختيار وضع الضبط هذا لتوفير الطاقة.

## 2 مفتاح اختيار درجة الحرارة

لضبط درجة حرارة قسم التجميد، قم بإدارة مفتاح اختيار درجة الحرارة باستخدام عملة معدنية.

الوضع 1: أعلى درجة حرارة

الوضع 6: أدنى درجة حرارة

## 3 لمبة البيان "alarm" (الإنذار)

تضيء لمبة البيان الحمراء في حالة الدفء الشديد لقسم التجميد.

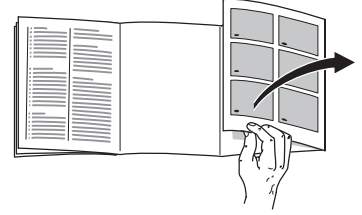
## 4 لمبة البيان "power" (الطاقة)

تضيء لمبة البيان الخضراء عندما يكون الجهاز مشغلاً.

## 5 الزر "super" (فائق)

يستخدم هذا الزر في تشغيل وإيقاف وظيفة التبريد الفائق SuperFreezing.

تضيء لمبة البيان الصفراء عند تشغيل وظيفة التبريد الفائق SuperFreezing.



قم بطي الصفحة الأخيرة المشتملة على الصور التوضيحية. تنطبق تعليمات الاستخدام على موديلات متعددة.

وقد توجد بعض الاختلافات في الصور التوضيحية.

شكل 1

\* غير متوفرة في جميع الموديلات

## 5-1 لوحة التحكم

6 الإضاءة الداخلية \*

7 السلة \*

8 قسم التخزين

9 موضع تصريف الماء المتكثف من خلال سدادة التصريف

10 لوحة الصنع

11 قسم التجميد الأولي \*

12 لوح الفصل القابل للإزالة \*

## ⚠ تحذير

لا يجوز أبداً توصيل الجهاز بمقبس إلكتروني موفر للطاقة الكهربائية.

يمكن مع أجهزتنا استخدام المحولات العاكسة للتيارات الكهربائية الجيبية والخطية. وتستخدم المحولات العاكسة للتيارات الكهربائية الخطية مع الأنظمة الفوتوفلطية التي يتم توصيلها مباشرة بالشبكة المحلية.

أما المحولات العاكسة للتيارات الكهربائية الجيبية فيجب استخدامها مع التطبيقات المستقلة (مثل السفن والأكوخ الجبلية) التي لا تتصل مباشرة بالشبكة المحلية.

## توصيل الجهاز

بعد تنصيب الجهاز، انتظر لمدة ساعة واحدة على الأقل قبل بدء تشغيله. فإثناء النقل قد يدخل الزيت الموجود بالكمبريسور إلى نظام التبريد.

قبل تشغيل الجهاز للمرة الأولى قم بتنظيفه من الداخل (انظر موضوع «تنظيف الجهاز»).

## التوصيل بالكهرباء

يجب أن يكون المقبس قريباً من الجهاز وأن يظل في متناول الأيدي بعد تركيب الجهاز.

هذا الجهاز مطابق لفئة الحماية ا. قم بتوصيل الجهاز بمصدر تيار متردد 220-240 فولت/ 50 هرتز باستخدام مقبس مزود بموصل تأريض واقٍ ومركب بشكل سليم. يجب تأمين المقبس بمصهر ذي معدل من 10 أمبير إلى 16 أمبير.

مع الأجهزة التي يتم تشغيلها خارج أوروبا، يجب التأكد من تطابق قيم الجهد الكهربائي ونوع التيار المحددة مع قيم شبكة الكهرباء في منطقتك. سوف تجد تلك المعلومة على لوحة الصنع، شكل **ii**.

## ملاحظة درجة حرارة الغرفة والتهوية

### درجة الحرارة المحيطة

الجهاز مصمم للعمل في فئة مناخ معينة. وفقا لفئة المناخ، يمكن تشغيل الجهاز في درجات الحرارة الآتية.

فئة المناخ محددة على لوحة الصنع، شكل 10/1.

درجة الحرارة المحيطة المسموح بها	فئة المناخ
+10°م إلى +32°م	SN
+16°م إلى +32°م	N
+16°م إلى +38°م	ST
+16°م إلى +43°م	T

### ملحوظة!

يمكن أن يعمل الجهاز في نطاق درجات الحرارة المحيطة المحددة للظروف المناخية المحددة. إذا تم تشغيل الجهاز في درجات حرارة منخفضة في فئة المناخ SN، يمكن تجنب حدوث أضرار بالجهاز حتى درجة حرارة تزيد على 5°م.

### التهوية

شكل 10

ترتفع درجة حرارة الهواء الملامس للوح الجهاز الخلفي والألواح الجانبية. ويجب أن يتمكن الهواء الساخن من المرور دون عوائق. وإلا فسوف يزداد التحميل على وحدة التبريد بما يزيد من استهلاك الطاقة. لذلك: لا تقم على الإطلاق بتغطية أو سد فتحات التهوية!

## خلع أقفال النقل

شكل 8 (ليست كل الطرازات مجهزة به) استبعد أقفال النقل الأربعة المركبة بين غطاء الديب فريزر والجهاز.

ضع اثنين من أقفال النقل على الحامل المخصص لهما بمؤخرة الجهاز. وسوف يحافظ ذلك على توافر الحد الأدنى للمسافة بعيدا عن الحائط، مما يضمن فتح الديب فريزر بشكل سليم وتوفير تهوية ملائمة له. وهذا يعني وصول الجهاز لاستهلاك الطاقة المحدد له.

## الموضع

موضع التركيب المثالي هو غرفة جافة ذات تهوية جيدة. يفضل ألا يكون موضع التركيب عرضة لأشعة الشمس المباشرة أو قريبا من مصادر الحرارة مثل الأفران وأجهزة التسخين وخلافه. إذا لم يمكن تجنب تركيب الجهاز بالقرب من مصدر حرارة، فاستخدم لوح عازل أو اتبع الحد الأدنى من المسافات بين الجهاز ومصدر الحرارة كما يلي:

■ 3 سم من فرن الكهرباء أو الغاز.

■ 30 سم من الأفران الزيت أو الوقود الصلب.

إذا وضع الجهاز قبالة الحائط، فيجب أن تتوافر مسافة قدرها 70 مم من اللوح الخلفي والألواح الجانبية.

## سطح الأرضية

يجب عدم وجود أي انحناءات في أرضية موضع التركيب وقد تحتاج إلى تقوية الأرضية.

استخدم ميزان ماء لضبط الوضع الرأسي للجهاز.

قم بتسوية أية مواضع غير مستوية بالأرضية باستخدام رقائق المبادعة التدعيمية.

تشتمل الثلجات على وسائط تبريد بالإضافة إلى غازات في المواد العازلة. ويجب التخلص من وسائط التبريد والغازات على نحو سليم. لا تحطم مواسير دائرة وسائط التبريد قبل التخلص منها على نحو سليم.

## توجيهات التخلص من الجهاز

### تخلص من مواد التغليف

تحمي مواد التغليف الغسالة من التعرض للضرر أثناء النقل. جميع المواد المستخدمة في التغليف صديقة للبيئة ويمكن إعادة تدويرها. يرجى التخلص من مواد التغليف بطريقة مراعية للبيئة.

يمكنك الحصول على المعلومات المتعلقة بطرق التخلص الحالية من خلال الوكيل المختص أو الفرع المحلي.

### تخلص من جهازك القديم

لا تعد الأجهزة القديمة مخلفات عديمة الفائدة. فيمكن استعادة المواد الخام الثمينة إذا تم التخلص من الأجهزة بطريقة مراعية للبيئة.

تم وضع ملصق على هذا الجهاز تماشياً مع المواصفة الأوروبية 2002/96/EC فيما يخص الأجهزة الكهربائية والإلكترونية القديمة (نفايات الأجهزة الكهربائية والإلكترونية - WEEE). هذه المواصفة تحدد القواعد العامة لاسترداد وإعادة استغلال الأجهزة القديمة داخل نطاق دول الاتحاد الأوروبي EU.



يشتمل التوريد على الأجزاء التالية:

- الجهاز المستقل
- الخصائص (تختلف حسب الموديل)
- تعليمات الاستخدام
- كتيب خدمة ما بعد البيع
- شهادة الضمان
- المعلومات المتعلقة باستهلاك الطاقة والضوضاء
- حقيبة مواد التجميع.

### تحذير ⚠

بالنسبة للأجهزة القديمة:

## تركيب الجهاز

### النقل

يتم تركيب عجلات سلسلة الانزلاق بالجهاز لأغراض النقل. شكل 4

### تحذير ⚠

قم بتأمين الجهاز ضد الانزلاق عند اللزوم.

- 1- انزع قابس الكهرباء.
- 2- اقطع كابلات الكهرباء وأبعده مع القابسات الكهربائي.
- 3- لا تلعب الأرفف والأوعية. فتركها كما هي يجعل من الصعب على الأطفال الصعود إلى داخل الجهاز.
- 4- لا يجوز أبداً السماح للأطفال باللعب بجهاز قديم. خطر الاختناق!

## أثناء الاستعمال

- لا تقم بتخزين السوائل في زجاجات أو علب في قسم التجميد (المشروبات الغازية على وجه الخصوص). فقد تنفجر تلك الزجاجات أو العلب.
  - لا تقم مطلقاً بتناول المنتجات الغذائية فور إخراجها من قسم التجميد مباشرة. خطر الإصابة!
  - تجنب لمس المواد الغذائية والتلج أو حتى مواشير وسيط التبريد وخلافه باليد لمدة طويلة، خطر التعرض لحروق التجميد!
- ### تعليمات متعلقة بالأطفال في المنزل
- لا تعطي العبوات أو أجزاء منها إلى الأطفال. خطر الاختناق بصناديق وطبقات الورق المقوى!
  - الجهاز ليس لعبة.
  - بالنسبة للأجهزة المزودة بقفل الباب: احتفظ بالمفتاح بعيداً عن متناول الأطفال!
- ### تعليمات عامة
- لا تستخدم الجهاز في الأغراض الآتية:
    - تجميد المواد الغذائية
    - إعداد مكعبات الثلج.
  - هذا الجهاز مخصص للاستخدام المنزلي وللبيئة المنزلية.
  - الجهاز مزود بمانع للتداخل الموجي طبقاً لمواصفة الاتحاد الأوروبي 2004/108/EC.
  - دورة التبريد خضعت لاختبارات للتأكد من مدى إحكامها ضد التسريب.
  - هذا الجهاز يستوفي تشريعات الأمان الخاصة بالأجهزة الكهربائية (EN 60335-2-24).
- ### أثناء الاستعمال
- لا تستخدم على الإطلاق أية أجهزة كهربائية داخل الجهاز (على سبيل المثال أجهزة التدفئة أو أجهزة إعداد الثلج الكهربائية وغيرها). خطر الانفجار!
  - لا تقم أبداً بإزالة التجمد أو بتنظيف الجهاز باستخدام أجهزة التنظيف بالبخار. فقد يصل البخار إلى الأجزاء الكهربائية ويؤدي إلى قفلة كهربائية. خطر الصعق الكهربائي!
  - لا تستخدم أدوات مدمية أو حادة لإزالة طبقات الثلج والتجمد. فقد ينجم عن ذلك إلحاق الضرر بمواشير وسيط التبريد. في حالة تسرب وسيط التبريد، فإنه يمكن أن يشتعل أو يؤدي إلى حدوث إصابات بالأعين.
  - لا تقم بتخزين أية منتجات تحتوي على غازات دافعة قابلة للاشتعال (مثل علب الإسبراي) أو أية مواد قابلة للانفجار داخل الجهاز. خطر الانفجار!
  - لا تقف أو تستند على قاعدة الجهاز وأدراجها وأبوابها وغيرها من الأجزاء.
  - انزع القابس الكهربائي للجهاز أو أطفئ الفيوز عند القيام بأعمال التنظيف وإزالة التجمد. قم بالنزع من قابس الكهرباء، وليس من كابل التوصيل.
  - يجب ألا يتم تخزين الكحول عالي التركيز إلا في عبوات محكمة الغلق وفي وضع رأسي.
  - لا تلوث الأجزاء البلاستيكية أو إطارات إحكام غلق الباب بالزيت أو الشحم. وإلا تعرضت هذه الأجزاء البلاستيكية وإطار إحكام غلق الباب للتشققات.
  - لا تقم على الإطلاق بتغطية أو سد فتحات التهوية الخاصة بالجهاز.
  - يجب ألا يقوم الأطفال أو الأشخاص ذوي الإعاقة البدنية أو العصبية أو الذهنية أو عديمي المعرفة بالجهاز باستخدامه إلا تحت إشراف شخص مسئول عن سلامتهم أو ملم بطريقة استخدام الجهاز من خلال قراءة هذا الدليل.



## تعليمات الأمان والتنبيهات التحذيرية

### قبل تشغيل الجهاز

كلما زادت كمية وسيط التبريد بالجهاز كان من الضروري زيادة مساحة الغرفة التي سيركب بها الجهاز. في حالة وجود تسرب لوسيط التبريد في غرفة صغيرة للغاية فقد يؤدي هذا إلى تكون خليط من الهواء والغاز ويكون هذا الخليط قابلاً للاشتعال.

ويجب أن يقابل كل 8 جرام من وسيط التبريد حجم من الغرفة لا يقل عن 1م<sup>3</sup>. كمية وسيط التبريد الموجودة بالجهاز موضحة على لوحة الصنع المثبتة داخل الجهاز.

في حالة تعرض كابل الكهرباء الخاص بالجهاز للضرر، فيجب تغييره لدى الجهة الصانعة أو قسم خدمة ما بعد البيع أو بمعرفة شخص مؤهل بنفس القدر. حيث إن أية تركيبات أو إصلاحات تتم بصورة غير صحيحة يمكن أن تعرض المستخدم لمخاطر كبيرة.

لا يجوز إجراء الإصلاحات إلا لدى الجهة الصانعة أو قسم خدمة ما بعد البيع أو بمعرفة شخص مؤهل بنفس القدر.

يجب أن يتم استخدام الأجزاء الأصلية من الجهة الصانعة فقط. فالجهة الصانعة تضمن استيفاء اشتراطات الأمان فقط في حالة استخدام هذه الأجزاء.

يجب أن يتم الحصول على وصلة إطالة كهربائية من خدمة ما بعد البيع فقط.

اقرأ كل من تعليمات الاستخدام والتركيب بعناية. حيث إنه يتضمن معلومات هامة تتعلق بتنصيب واستخدام وصيانة الجهاز.

تعتبر الجهة الصانعة غير مسؤولة عن أية أضرار ناتجة عن تجاهل المستخدم للمعلومات والتحذيرات الواردة في تعليمات الاستخدام. ينبغي الاحتفاظ بسائر المستندات المرفقة للاستعانة بها لاحقاً أو لتسليمها للمالك التالي.

### تعليمات الأمان الفنية

يحتوي الجهاز على كمية ضئيلة من وسيط التبريد R600a الذي يعتبر صديقاً للبيئة إلا أنه قابل للاشتعال. تأكد من عدم تعرض مواسير دورة وسيط التبريد لأي ضرر عند النقل والتركيب. في حالة تسرب وسيط التبريد، فإنه يمكن أن يشتعل أو يؤدي إلى حدوث إصابات بالأعين.

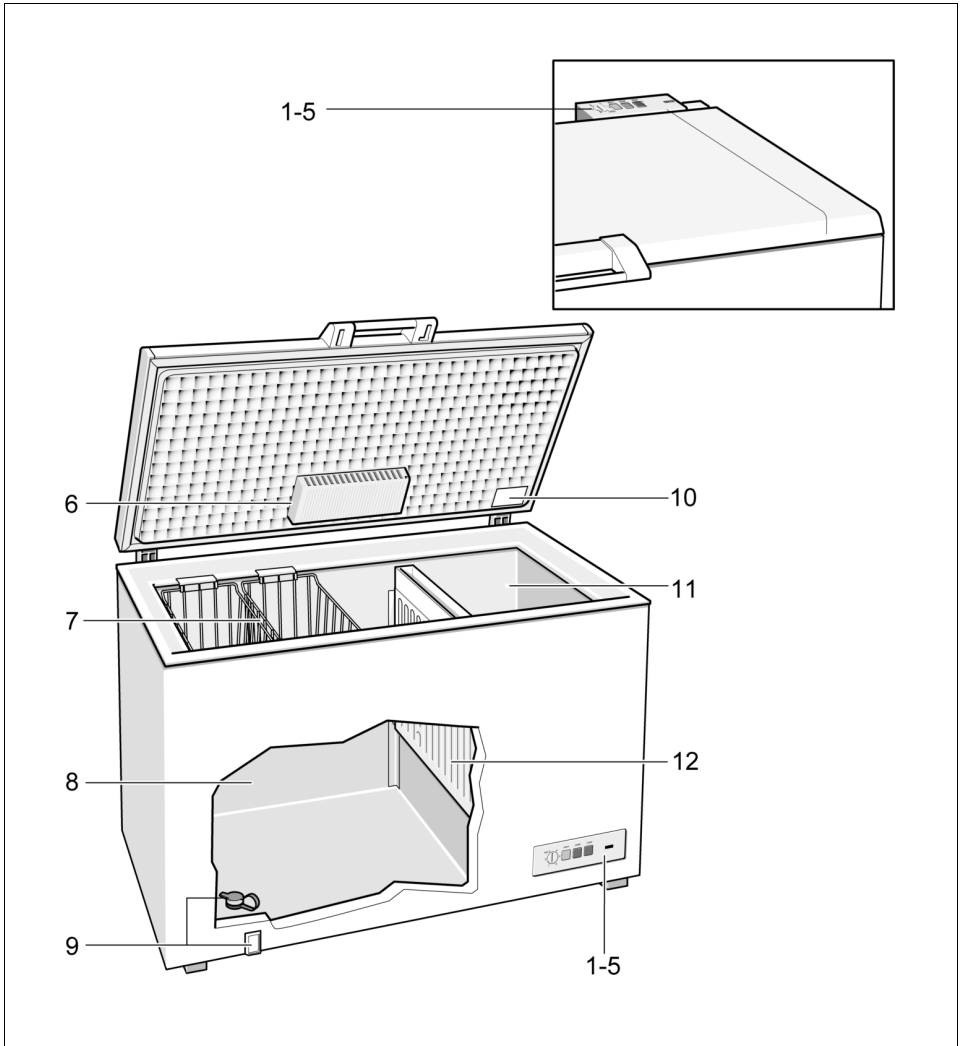
في حالة وجود أضرار:

- أبعد أي لهب مكشوف أو أي مصدر إشعال عن الجهاز.
- أوقف الجهاز وانزع القابس الكهربائي.
- قم بتهوية الغرفة بشكل جيد لعدة دقائق.
- ابلغ خدمة ما بعد البيع.

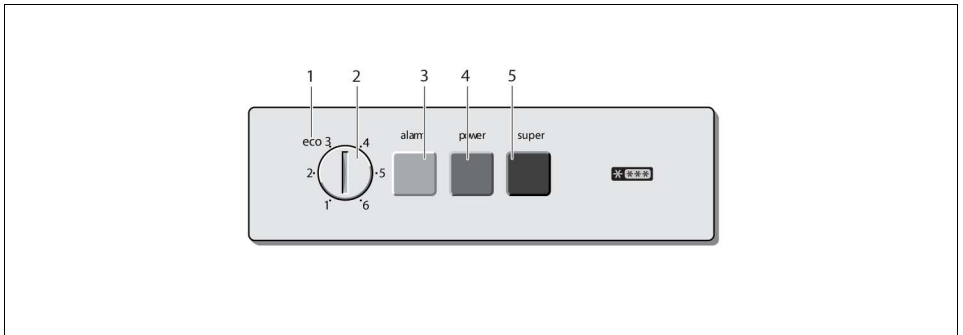
## الفهرس

11. . . . . التجميد والتخزين
11. . . . . تجميد المواد الغذائية الطازجة
12. . . . . SuperFreezing التجميد الفائق
13. . . . . إذابة التجمد عن المواد الغذائية المجمدة
13. . . . . خصائص الجهاز
13. . . . . إيقاف الجهاز لفترة مؤقتة أو طويلة
14. . . . . إذابة الثلوج
15. . . . . تنظيف الجهاز
15. . . . . توفير الطاقة
16. . . . . الأصوات الصادرة عند التشغيل
16. . . . . تغلب بنفسك على الأعطال البسيطة
18. . . . . خدمة ما بعد البيع
4. . . . . تعليمات الأمان والتنبيهات التحذيرية
6. . . . . توجيهات التخلص من الجهاز
6. . . . . التجهيزات الموردة
6. . . . . تركيب الجهاز
7. . . . . ملاحظة درجة حرارة الغرفة والتهوية
8. . . . . توصيل الجهاز
9. . . . . التعرف على جهازك الجديد
9. . . . . لوحة التحكم
10. . . . . استعمال الجهاز
10. . . . . رسائل التحذير
10. . . . . حجم الاستخدام
10. . . . . حيز التجميد
11. . . . . سعة التجميد القصوى

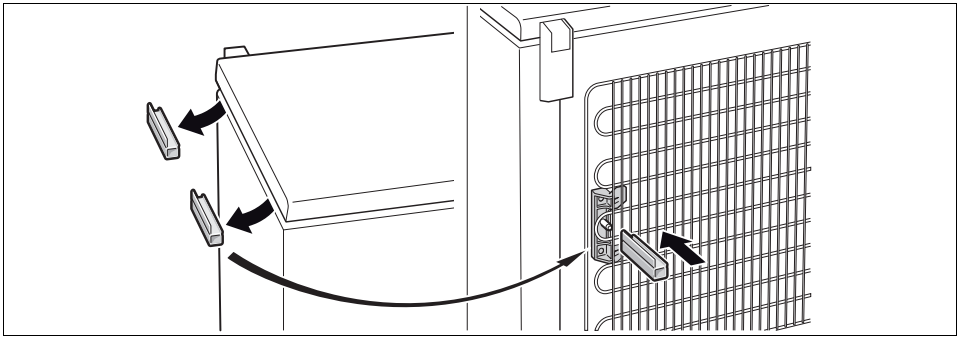




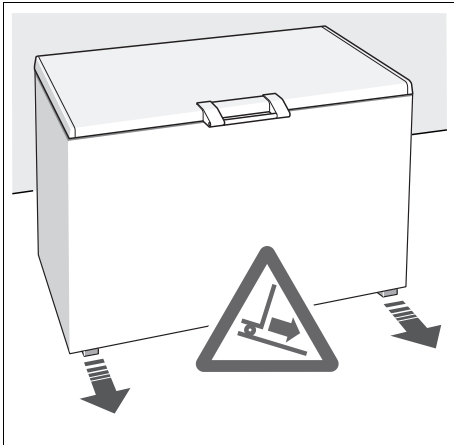
**1**



**2**



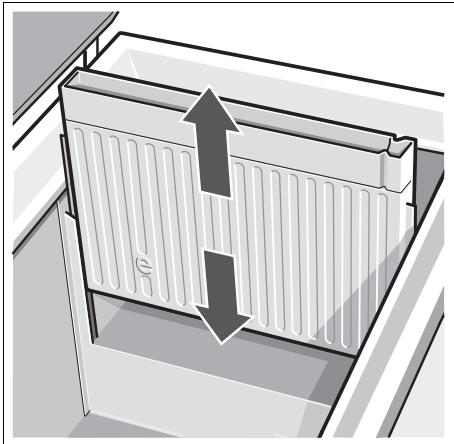
3



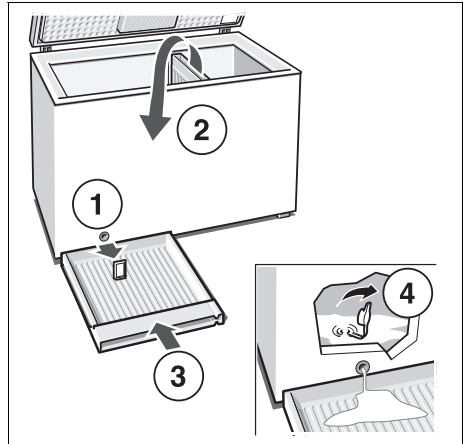
4



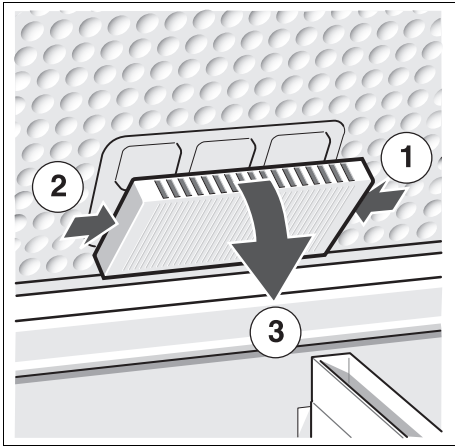
5



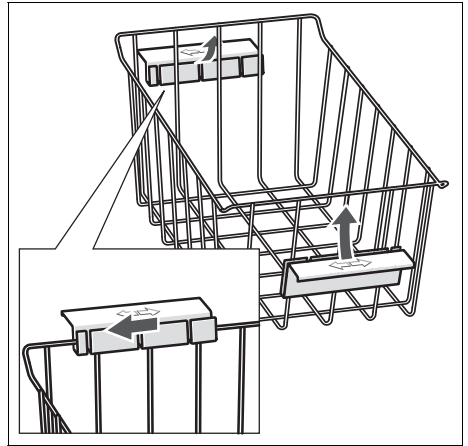
6



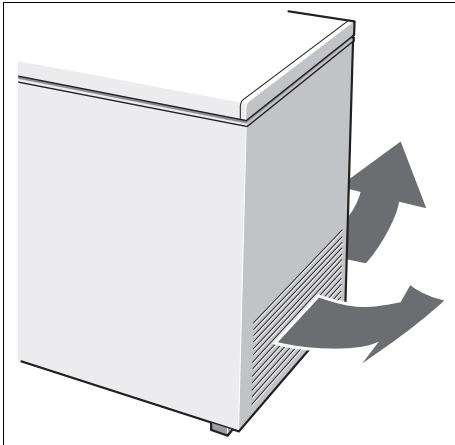
7



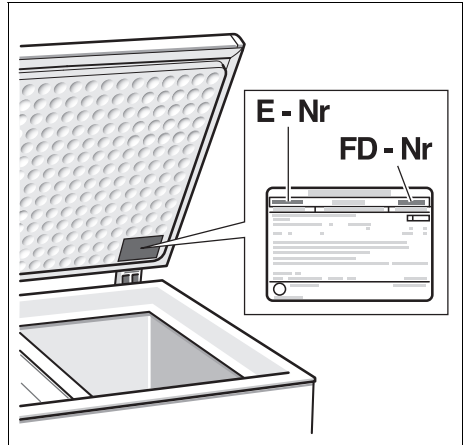
8



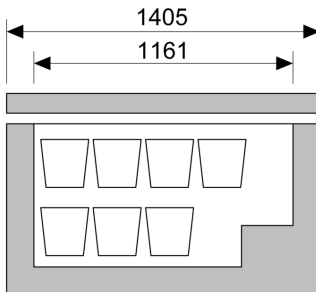
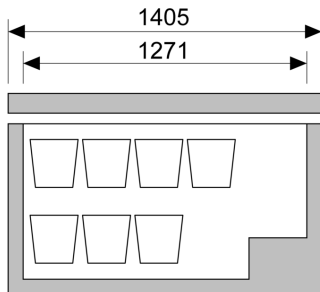
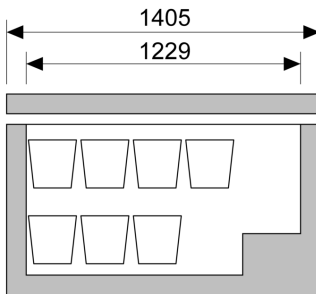
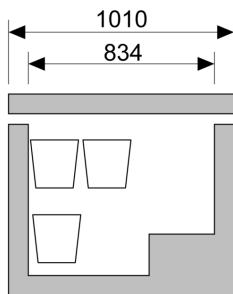
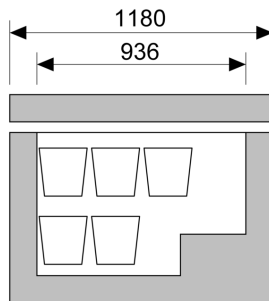
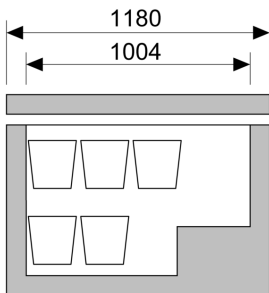
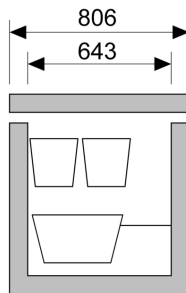
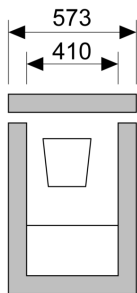
9



10



11



Her zaman  
yanınızdayız

**PROFİLO**

**4447766**

**Çağrı Yönetim Merkezi**

Profilo ile ilgili tüm sorularınız için...

[www.profilo.com.tr](http://www.profilo.com.tr)

EEE Yönetmeliğine Uygundur

