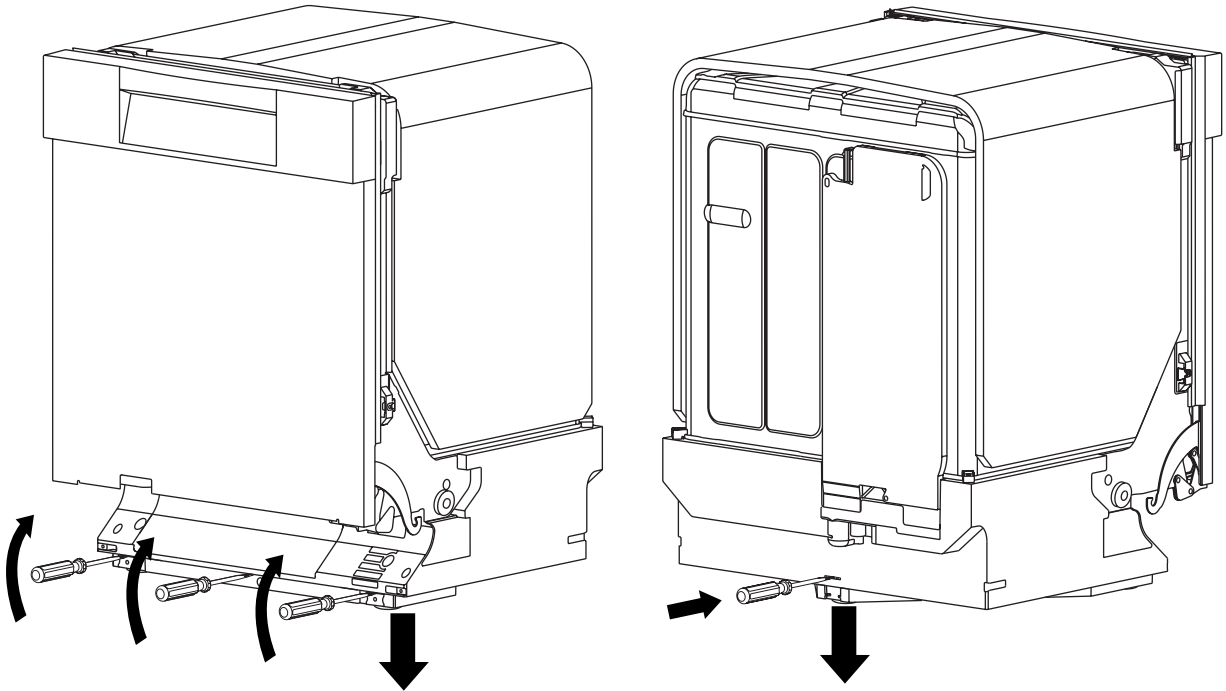
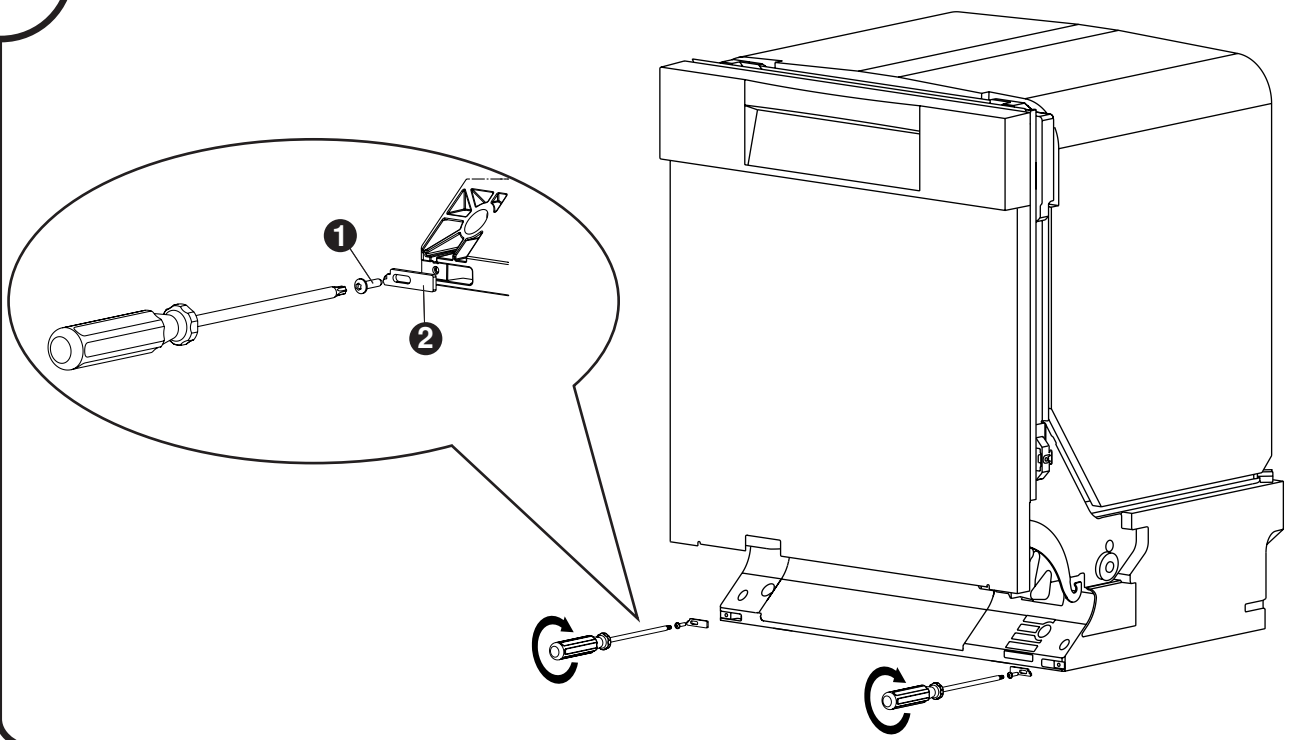




A

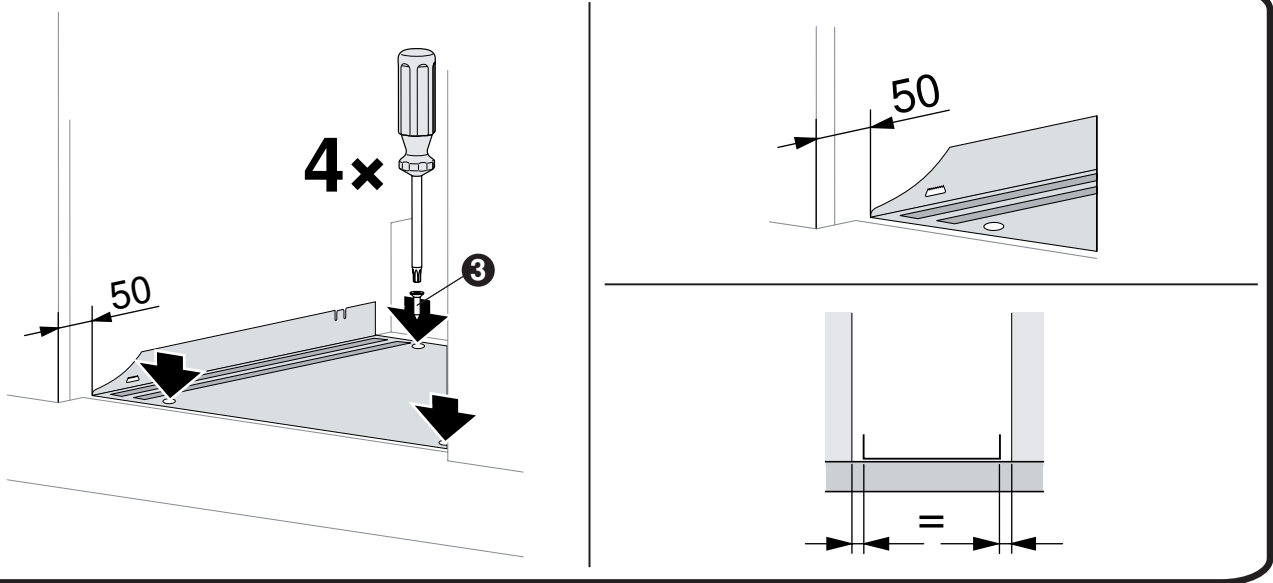


B

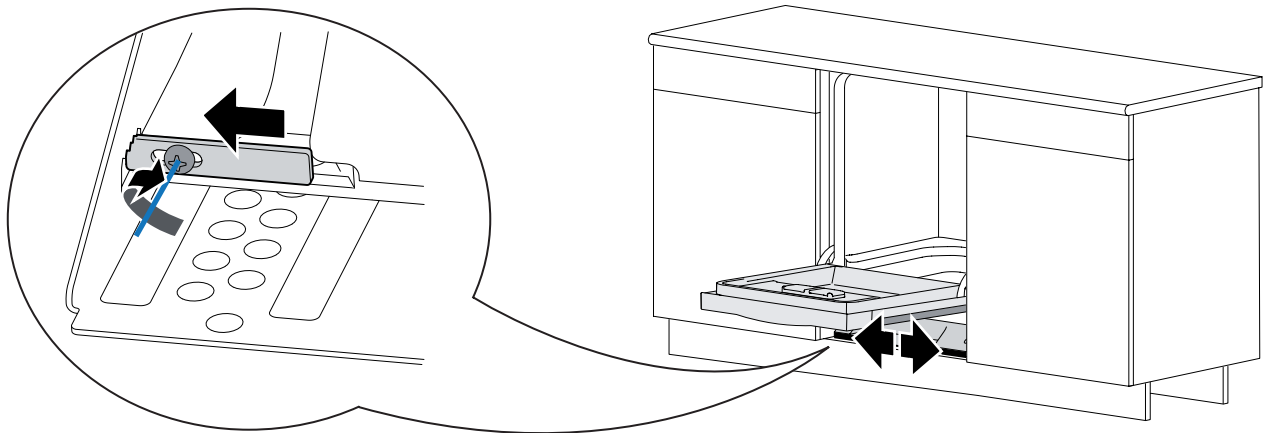




C



D



N26.684

3,5 x 40

2x



W7.6520

2x



N31.608

3.5 x 16

4x