

Gas hob
Table de cuisson gaz
Piano di cottura a gas
Gaskookplaat
Placa de cozinhar a gás

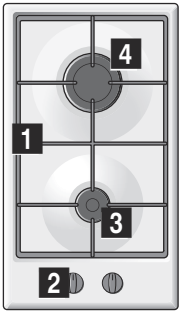


BOSCH

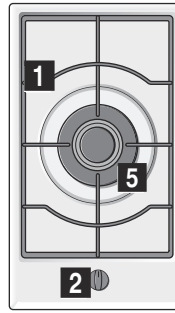
[en] Instruction manual	3
[fr] Notice d'utilisation	9
[it] Istruzioni per l'uso	15

[nl] Gebruiksaanwijzing	21
[pt] Instruções de serviço	27

**PCD345D PCD345DEU
PCD345FEU**



**PCH345D
PCH345DEU**



- 1** Pan supports
- 2** Control knobs
- 3** Economy burner with an output of up to 1 kW

- 1** Grilles
- 2** Boutons de commande
- 3** Brûleur éco avec jusqu'à 1 kW

- 1** Griglie
- 2** Manopole
- 3** Bruciatore piccolo fino a 1 kW

- 1** Roosters
- 2** Knoppen
- 3** Hulpbrander met max. 1 kW

- 1** Grelhas
- 2** Comandos
- 3** Queimador económico com até 1 kW

- 4** High-output burner with an output of up to 3 kW
- 5** Triple-flame wok burner (up to 3.6 kW)

- 4** Brûleur puissant avec jusqu'à 3 kW
- 5** Brûleur wok triple flamme de 3,6 kW maximum

- 4** Bruciatore a fiamma alta fino a 3 kW
- 5** Bruciatore wok a tripla fiamma fino a 3,6 kW

- 4** Sterke brander met maximaal 3 kW
- 5** Wokbrander met driedubbele vlam tot 3,6 kW

- 4** Queimador rápido com até 3 kW
- 5** Queimador para wok de chama tripla de até 3,6 kW

en Table of contents

Safety precautions	3	Cleaning and maintenance	7
Your new appliance	5	Cleaning	7
Accessories	5	Maintenance	7
Gas burners	5	Trouble shooting	7
Switching on manually	5	Technical Assistance Service	8
Switching on automatically	5	Warranty conditions	8
Safety system	5	Used appliances and packaging	8
Switching off a burner	6	Environmentally-friendly disposal	8
Power levels	6		
Warnings	6		
Cooking guidelines	6		
Cooking pans	6		
Suitable pans	6		
Precautions for use	6		

Additional information on products, accessories, replacement parts and services can be found at www.bosch-home.com and in the online shop www.bosch-eshop.com

Safety precautions

Read these instructions carefully. You will only be able to use your appliance safely and effectively when you have read them. These operating and installation instructions should be retained, and passed onto the buyer if the appliance is sold.

The manufacturer is exempt from all responsibility if the requirements of this manual are not complied with.

The images shown in these instructions are for guidance only.

Do not remove the appliance from its protective packaging until it is installed in the unit. Do not switch on the appliance if it is damaged in any way. Contact our Technical Assistance Service.

This appliance is class 3 type, according to the EN 30-1-1 regulation for gas appliances: built-in appliance.

Before installing your new hob, ensure that it is being installed according to the assembly instructions.

This appliance cannot be installed on yachts or in caravans.

This appliance must only be used in well ventilated places.

This appliance is not intended for operation with an external clock timer or a remote control.

All operations relating to installation, connection, regulation and conversion to other gas types must be performed by an authorised technician, respecting all applicable regulations, standards and the

specifications of the local gas and electricity suppliers. Special attention shall be paid to ventilation regulations.

This appliance leaves the factory set to the gas type that is indicated on the specifications plate. If this needs to be changed, please consult the assembly instructions. It is recommended you contact the Technical Assistance Service to change to another gas type.

This appliance has been designed for home use only, not for commercial or professional use. This appliance is only intended for cooking purposes, not as a heating system. The warranty will only be valid if the appliance is used for the purpose for which it was designed.

This appliance is intended for use up to a maximum height of 2000 metres above sea level.

Never leave the appliance unattended during operation.

Do not use lids or protective barriers for children which are not recommended by the hob manufacturer. They may cause accidents such as those due to the overheating, ignition or detachment of fragments of materials.

This appliance may be used by children over the age of 8 years old and by persons with reduced physical, sensory or mental capabilities or by persons with a lack of experience or knowledge if they are supervised or are instructed by a person responsible for their safety how to use the

appliance safely and have understood the associated hazards.

Children must not play with, on, or around the appliance. Children must not clean the appliance or carry out general maintenance unless they are at least 15 years old and are being supervised.

Keep children below the age of 8 years old at a safe distance from the appliance and power cable.

Risk of deflagration!

Accumulation of unburned gas in an enclosed area carries a risk of deflagration. Do not subject the appliance to draughts. These might blow out the burners. Carefully read the instructions and warnings on the operation of gas burners.

Risk of poisoning!

The kitchen will become hot and humid and combustion products produced when this gas appliance is used. Make sure the kitchen is well ventilated, particularly when the hob is in operation: either keep the natural ventilation apertures open, or install a ventilation system (extractor hood). Intense prolonged use of the appliance may require additional or more effective ventilation: open a window or increase the power of the ventilation system.

Risk of burns!

- The hotplates and their immediate vicinity get very hot. Never touch the hot surfaces. Keep children under 8 years old well away from this appliance.
- If the liquefied gas bottle is not upright, liquefied propane/butane can enter the appliance. Intense darting flames may therefore escape from the burners. Components may become damaged and start to leak over time so that gas escapes uncontrollably. Both can cause burns. Always use liquefied gas bottles in an upright position.

Risk of fire!

- The hotplates get very hot. Do not rest inflammable objects on the hob. Do not store objects on the hob.
- Do not store or use corrosive chemicals, products which produce fumes, inflammable materials or non-food products below or near this domestic appliance.
- Fat or oil which is overheated can catch fire easily. Never leave fat or oil to heat up

unattended. If oil or fats do catch fire, never use water to put the fire out. Put the fire out by covering the pan with a lid and switch off the hotplate.

Risk of injuries!

- Pans which are damaged, are not the right size, hang over the edge of the hob or are not positioned correctly can cause serious injuries. Follow the advice and warnings provided relating to the cooking pans.
- In the event of a malfunction, turn off the appliance's gas and electricity supply. For repairs, call our Technical Assistance Service.
- Do not tamper with the appliance's interior. If necessary, call our Technical Assistance Service.
- If a control knob is too stiff to turn or it is loose, it must not be used. Contact our after-sales service immediately to have the control knob repaired or replaced.

Risk of electric shock!

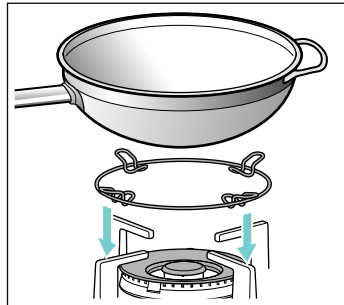
Do not clean the appliance using steam cleaners.

Your new appliance

Page 2 shows an overall view of your new appliance as well as the burner power.

Accessories

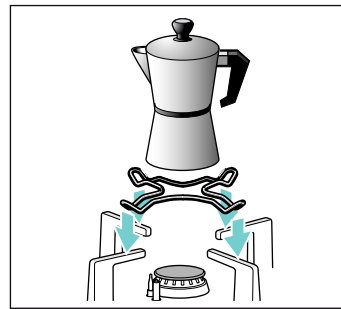
Depending on the model, the hob may include the following accessories. These can also be acquired from the Technical Assistance Service.



Additional wok pan grid

Only for use on wok burners with pans with a round base.

Using these pans may cause some temporary deformation of the grease drip tray. This is normal and does not affect the operation of the appliance.



Additional espresso maker grid

Only for use on the economy burner with pans which are no more than 12 cm in diameter.

Code

HEZ298100 Additional wok grid

HEZ298110

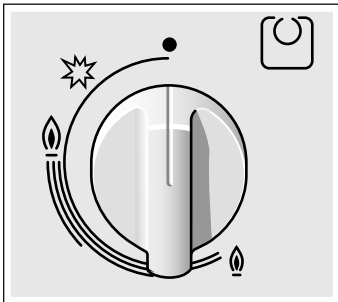
HEZ298114 Additional espresso maker grid

NEZ34VLA Fasteners

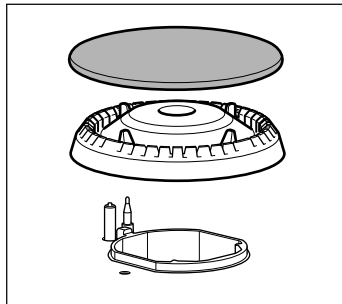
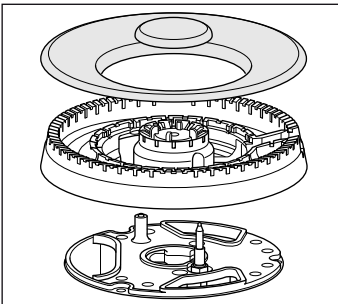
The manufacturer accepts no liability if these accessories are not used or are used incorrectly.

Gas burners

There are indications to show which burner each control knob operates.



It is essential to ensure that all the burner parts and pan supports are correctly installed for the appliance to work correctly. Do not swap the burner caps around.



Switching on manually

1. Press the chosen burner control knob and turn it anticlockwise to the required setting.
2. Use any type of lighter or flame (cigarette lighter, matches, etc.) and bring it close to the burner.

Switching on automatically

If your hob can be switched on automatically (ignition sparkers):

1. Press the chosen burner control knob and turn it anticlockwise to the maximum power setting. While the control knob is still pressed down, sparks are produced on all burners. The flame ignites.
2. Release the control knob.
3. Turn the control knob to the required setting.

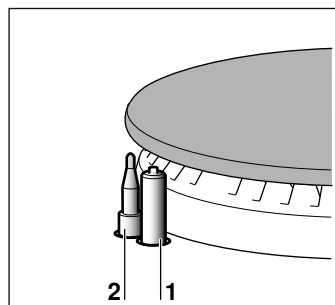
If it does not come on, turn the control knob to the off setting and repeat the steps above. This time, press and hold the control knob for longer (up to 10 seconds).

⚠ Risk of deflagration!

If after 15 seconds the flame does not ignite, switch off the burner and open a nearby window or door. Wait at least one minute before trying to switch the burner back on.

Safety system

Your hob is equipped with a safety system (thermocouple) that cuts off the gas when the burners are accidentally switched off.



1 ignition sparker

2 thermocouple

To ensure that this device is active:



1. Switch on the burner as usual.
2. Without releasing the control knob, press and hold it down firmly for 4 seconds after lighting the flame.

Switching off a burner

Turn the corresponding control knob clockwise to the 0 setting.

Power levels

The progressive control knobs can be used to control the power needed, from minimum to maximum power.

Setting	Control knob	Control knob off
High flame		Maximum capacity or aperture and electricity on
Low flame		Minimum capacity or aperture

Warnings

It is normal to hear a soft whistling noise while the burner is operating.

When first used, it is normal for the burner to give off odours. This does not pose any risk and does not indicate a malfunction. They will disappear in time.

An orange-coloured flame is normal. This is caused by the presence of dust in the atmosphere, spilt liquids, etc.

If the burner flames are accidentally blown out, switch off the burner operating control knob and do not try to relight it for at least 1 minute.

A few seconds after the burner is switched off, a sound (thud) will be produced. This is not a fault - this means that the safety device is no longer operating.

Keep the burner as clean as possible. If the ignition sparkers are dirty they will not light properly. Clean them periodically using a small non-wire brush. Bear in mind that the ignition sparkers must not suffer any serious impacts.

Cooking guidelines

Burner	Very high - High	Medium	Low
Wok burner	Boiling, steaming, griddling, toasting, paellas, Asian food (wok).	Reheating and keeping things hot: cooked and pre-cooked dishes	
High-output burner	Escalopes, steaks, omelettes, frying	Rice, white sauce, ragout	Steaming: fish, vegetables
Economy burner	Cooking: casseroles, rice pudding, caramel	Defrosting and slow cooking: vegetables, fruit and frozen products	Melting: butter, chocolate, jelly

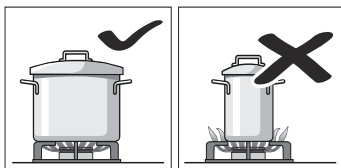
Cooking pans

Suitable pans

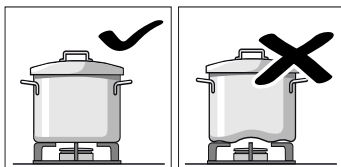
Burner	Minimum pan diameter	Maximum pan diameter
Wok burner	22 cm	- cm
High-output burner	22 cm	26 cm
Economy burner	12 cm	14 cm

Precautions for use

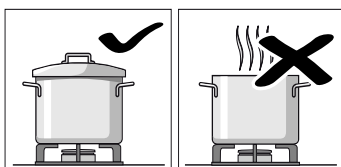
The following advice is intended to help you save energy and prevent pan damage:



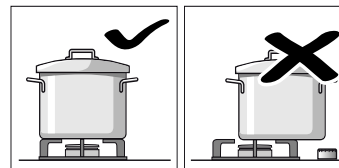
Use pans which are the right size for each burner.
Do not use small pans on large burners. The flame must not touch the sides of the pan.



Do not use damaged pans, which do not sit evenly on the hob. Pans may tip over.
Only use pans with a thick, flat base.

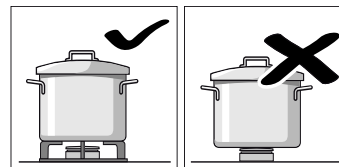


Do not cook without using a lid and make sure the lid is properly fitted. This wastes energy.



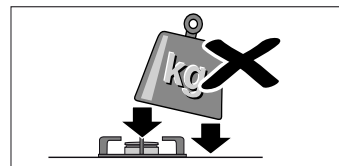
Always centre the pan over the burner, not to one side. Otherwise it could tip over.

Do not place large pans on the burners near the control knobs. These may be damaged by the very high temperatures.



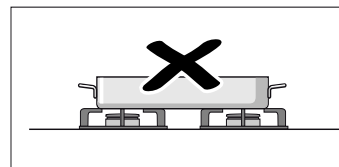
Place the pans on the pan supports, never directly on the burner.

Make sure that the pan supports and burner caps are correctly positioned before using the appliance.



Pans should be placed on the hob carefully.

Do not strike the hob and do not place excessive weight on it.



Never use two burners or heat sources to heat one single pan.

Do not use grill pans, earthenware casserole dishes, etc. for a long period of time on maximum power.

Cleaning and maintenance

Cleaning

Once the appliance is cool, use a sponge to clean it with soap and water.

After each use, clean the surface of the respective burner parts once they have cooled down. If any residue is left (baked-on food, drops of grease etc.), however little, it will become stuck to the surface and more difficult to remove later. The holes and grooves must be clean for the flame to ignite properly.

The movement of some pans may leave metal residue on the pan supports.

Clean the burners and pan supports using soapy water and scrub with a non-wire brush.

If the pan supports are fitted with rubber rests, ensure that these are also cleaned. The rests may come loose and the pan support may scratch the hob.

Always dry the burners and pan supports completely. Water droplets or damp patches on the hob at the start of cooking may damage the enamel.

After cleaning and drying the burners, make sure the burner caps are correctly positioned on the diffuser.

Caution!

- Do not remove the control elements when cleaning the appliance. The appliance may be damaged if moisture finds its way inside.
- Do not use steam cleaners. This could damage the hob.
- If your hob is fitted with a glass or aluminium panel, never use a knife, scraper or similar implement to clean the point where it joins the metal.

Maintenance

Always clean off any liquid as soon as it is spilt. This will prevent food remains from sticking to the hob surface and you will save yourself any unnecessary effort.

Due to the high temperatures endured, the wok burner and the stainless steel zones (grease drip tray, burner outline, etc.) can change colour. This is normal. After each use, clean these areas with a product that is suitable for stainless steel.

It is recommended that the cleaning product available from our Technical Assistance Service (code 464524) is used regularly.

Caution!

The stainless steel cleaner must not be used in the area around the controls. The (printed) symbols may be wiped off.

Do not leave acidic liquids (e.g. lemon juice, vinegar, etc.) on the hob.

Trouble shooting

Sometimes certain faults detected can be easily resolved. Before calling the Technical Assistance Service, bear in mind the following advice:

Fault	Possible cause	Solution
The general electrical system is malfunctioning.	Defective fuse.	Check the fuse in the main fuse box and change it if it is damaged.
	The automatic safety switch or circuit breaker has tripped.	Check the main control panel to see if the automatic safety switch or circuit breaker has tripped.
The automatic switching on function does not work.	There may be food or cleaning products stuck between the ignition sparkers and the burners.	The space between the ignition sparker and the burner must be clean.
	The burners are wet.	Dry the burner caps carefully.
	The burner caps are not correctly positioned.	Check that the burner caps are correctly positioned.
The burner flame is not uniform.	The appliance is not earthed, is poorly connected or the earthing is faulty.	Contact the installation technician.
	The burner components are not correctly positioned.	Correctly place the parts on the appropriate burner.
The gas flow is not normal or there is no gas.	The grooves on the burner are dirty.	Clean the grooves on the burner.
	The gas supply is blocked by gas taps.	Open all gas taps.
The kitchen smells of gas.	If the gas is supplied from a gas cylinder, check that it is not empty.	Change the gas cylinder.
	A gas tap has been left on.	Turn off the taps.
	Incorrect coupling of gas cylinder.	Check that the coupling is sound.
	Possible gas leak.	Shut off the gas supply, ventilate the premises and immediately notify an authorised installation technician to check and certify the installation. Do not use the appliance until ensuring that there is no gas leak in the installation or appliance itself.

Fault	Possible cause	Solution
The burner immediately switches off after releasing the control knob.	The control knob was not held down for long enough.	Once the burner is on, hold the control knob down a few seconds longer.
	The grooves on the burner are dirty.	Clean the grooves on the burner.

Technical Assistance Service

When contacting our Technical Assistance Service, please provide the product number (E-Nr.) and production number (FD) of the appliance. This information is given on the specifications plate located on the lower section of the hob and on the label in the user manual.

Please find the contact data of all countries in the enclosed customer service list.

To book an engineer visit and product advice

- GB** 0344 892 8979
Calls charged at local or mobile rate.
- IE** 01450 2655
0.03 € per minute at peak. Off peak 0.0088 € per minute.

Rely on the professionalism of the manufacturer. You can therefore be sure that the repair is carried out by trained service technicians who carry original spare parts for your appliances.


Warranty conditions

In the unlikely event that the appliance is damaged or does not meet your expectations in terms of quality, please inform us as soon as possible. For the warranty to be valid, the appliance must not have been tampered with, or used inappropriately.

The applicable warranty conditions are those set out by the company's representative office in the country of purchase. Detailed information is available from retail outlets. Proof of purchase must be presented to obtain the benefits of the warranty.

We reserve the right to introduce changes.

Used appliances and packaging

If the  symbol is shown on the specifications plate, bear in mind the following instructions:

Environmentally-friendly disposal

Dispose of packaging in an environmentally-friendly manner.



This appliance is labelled in accordance with European Directive 2012/19/EU concerning used electrical and electronic appliances (waste electrical and electronic equipment - WEEE). The guideline determines the framework for the return and recycling of used appliances as applicable throughout the EU.

The packaging of your appliance has been manufactured using only the materials which are strictly necessary to guarantee efficient protection during transport. These materials are 100% recyclable, thus reducing the environmental impact. You can also contribute to caring for the environment by following the advice below:

- Dispose of the packaging in the appropriate recycling bin.
- Before you get rid of an old appliance, make sure you disable it. Contact your local authority to find out the address of your nearest recycling centre to dispose of your appliance.
- Do not pour used oil down the sink. Collect it in a sealed container and take it to an appropriate collection point or, failing that, place it in the rubbish bin (it will end up in a controlled dump; this is probably not the best option, but it will avoid contaminating ground water)

Consignes de sécurité	9
Votre nouvel appareil	11
Accessoires	11
Brûleurs à gaz	11
Allumage manuel.....	11
Allumage automatique.....	11
Système de sécurité.....	11
Éteindre un brûleur.....	12
Niveaux de chauffe.....	12
Avertissements.....	12
Conseils pour cuisiner.....	12
Récipients de préparation	12
Récipients appropriés.....	12
Conseils d'utilisation.....	12

Nettoyage et entretien	13
Nettoyage.....	13
Maintenance.....	13
Résoudre des anomalies	13
Service Technique	14
Conditions de garantie.....	14
Emballage et appareils usagés	14
Élimination écologique.....	14

Vous trouverez des informations supplémentaires concernant les produits, accessoires, pièces de rechange et services sur Internet sous : **www.bosch-home.com** et la boutique en ligne : **www.bosch-eshop.com**

Consignes de sécurité

Lisez attentivement ces instructions. Ce n'est qu'à cette condition que vous pourrez utiliser votre appareil efficacement et en toute sécurité. Conservez la notice d'utilisation et d'installation, et remettez-la avec l'appareil si celui-ci change de propriétaire.

Le fabricant est exempt de toute responsabilité si les instructions de cette notice ne sont pas respectées.

Les images de cette notice sont proposées à titre indicatif.

Ne retirez l'appareil de son emballage protecteur qu'au moment de son encastrement. Si vous constatez des dommages sur l'appareil, ne le branchez pas. Contactez notre Service Technique.

Cet appareil correspond à la classe 3, selon la norme EN 30-1-1 pour les appareils à gaz : appareil encastré dans un meuble.

Assurez-vous que l'installation de votre plaque de cuisson est réalisée dans le respect de la notice de montage.

Cet appareil ne peut pas être installé dans des yachts ou des caravanes.

Cet appareil doit être utilisé uniquement dans des endroits suffisamment ventilés.

Cet appareil n'est pas conçu pour un fonctionnement avec une minuterie externe ou une commande à distance.

Tous les travaux d'installation, de branchement, de réglage et d'adaptation à un autre type de gaz doivent être réalisés

par un technicien agréé qui doit respecter les normes et la législation applicables, ainsi que les prescriptions des sociétés locales de distribution d'électricité et de gaz. Les dispositions applicables quant à la ventilation seront attentivement respectées.

En sortie d'usine, cet appareil est adapté au type de gaz indiqué sur la plaque signalétique. S'il était nécessaire de le changer, veuillez consulter la notice de montage. Il est recommandé de faire appel à notre service technique pour l'adaptation à un autre type de gaz.

Cet appareil a été conçu pour une utilisation domestique ; son utilisation à titre commercial ou professionnel est interdite. N'utilisez l'appareil que pour cuisiner, jamais comme chauffage. La garantie ne sera valable que si l'utilisation pour laquelle il a été conçu a été respectée.

Cet appareil est conçu pour une utilisation jusqu'à une altitude maximale de 2 000 m. Ne laissez pas l'appareil sans surveillance pendant son fonctionnement.

N'utilisez pas de couvercles ou de barrières de protection pour enfants non recommandés par le fabricant de la plaque de cuisson. Ils peuvent provoquer des accidents, notamment en raison de la surchauffe, de la combustion ou du décollement de fragments de matériaux.

Cet appareil peut être utilisé par des enfants de 8 ans ou plus et par des

personnes dotées de capacités physiques, sensorielles ou mentales réduites ou disposant de connaissances ou d'expérience insuffisantes, sous la surveillance d'un tiers responsable de leur sécurité ou bien lorsqu'ils ont reçu des instructions liées à l'utilisation de l'appareil en toute sécurité et qu'ils ont intégré les risques qui en résultent.

Les enfants ne doivent pas jouer avec l'appareil. Le nettoyage et l'entretien effectué par l'utilisateur ne doivent pas être accomplis par des enfants, sauf s'ils sont âgés de 15 ans et plus et qu'un adulte les surveille.

Les enfants de moins de 8 ans doivent être tenus à distance de l'appareil et du cordon d'alimentation.

Risque de déflagration !

L'accumulation de gaz non brûlés dans un lieu fermé pourrait comporter un risque de déflagration. Ne placez pas l'appareil dans des courants d'air. Les brûleurs pourraient s'éteindre. Lisez attentivement les instructions et les avertissements concernant le fonctionnement des brûleurs à gaz.

Risque d'intoxication !

L'utilisation d'un appareil de cuisson à gaz produit de la chaleur, de l'humidité et émet des produits de combustion dans la pièce où il est installé. Assurez-vous que la cuisine soit bien ventilée, en particulier lorsque la plaque de cuisson est en fonctionnement: laissez les orifices de ventilation naturelle ouverts ou installez un dispositif de ventilation mécanique (hotte aspirante). Lorsque l'utilisation de l'appareil est intense et prolongée, une ventilation complémentaire ou plus efficace peut être nécessaire: ouvrez une fenêtre ou augmentez la puissance de la ventilation mécanique.

Risque de brûlures !

- Les zones de cuisson et les zones adjacentes chauffent fortement. Ne touchez pas les surfaces chaudes. Ne laissez pas les enfants de moins de 8 ans s'approcher.
- Si la bouteille de gaz liquide n'est pas à la verticale, du propane/butane liquide peut parvenir dans l'appareil. Des jets de flamme violents peuvent alors sortir aux brûleurs. Des composants peuvent être endommagés et devenir non étanches avec le temps, si bien que du gaz sort de

manière incontrôlée. Les deux peuvent conduire à des brûlures. Utiliser les bouteilles de gaz liquide toujours en position verticale.

Risque d'incendie !

- Les zones de cuisson chauffent fortement. Ne posez pas d'objets inflammables sur la plaque de cuisson. N'entreposez pas d'objets sur la plaque de cuisson.
- Ne stockez ni n'utilisez de produits chimiques corrosifs, de vapeurs, de matériels inflammables ni de produits non alimentaires sous cet appareil, ni à proximité.
- Les graisses et les huiles surchauffées s'enflamment facilement. Ne vous absentez pas si vous avez mis de la graisse ou de l'huile à chauffer. Si elles s'enflamment, n'éteignez pas le feu avec de l'eau. Couvrez le récipient avec un couvercle hermétique pour étouffer le feu puis éteignez la zone de cuisson.

Risque de blessures !

- Les récipients qui présenteraient des dommages, dont la taille ne serait pas adaptée, qui dépasseraient de la plaque de cuisson ou qui seraient mal placés, pourraient occasionner des lésions graves. Respectez les conseils et les avertissements concernant les récipients de cuisson.
- En cas d'incident, débranchez l'alimentation électrique et de gaz de l'appareil. Pour la réparation, contactez notre service technique.
- Ne manipulez pas l'intérieur de l'appareil. Si nécessaire, contactez notre service technique.
- S'il n'est pas possible de tourner un bouton de commande ou si celui-ci est mal fixé, il ne doit plus être utilisé. Contactez immédiatement le service après-vente afin de faire réparer ou remplacer le bouton de commande.

Risque de décharge électrique !

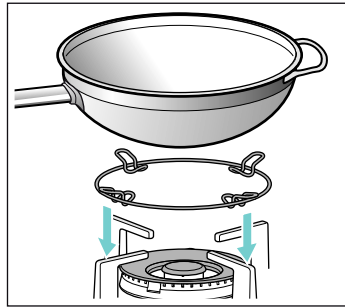
Ne pas utiliser de machines de nettoyage à vapeur pour nettoyer l'appareil.

Votre nouvel appareil

À la page 2 se trouve une vue générale de l'appareil, ainsi que la puissance des brûleurs.

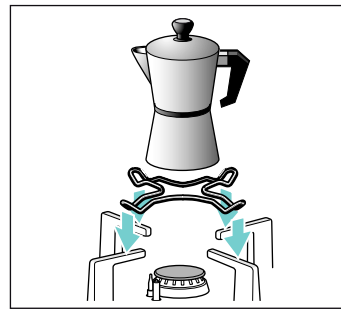
Accessoires

Selon le modèle, la plaque de cuisson peut inclure les accessoires suivants. Ceux-ci peuvent également être achetés auprès du Service Technique.



Grille supplémentaire wok
Pour utiliser exclusivement sur des brûleurs wok avec des récipient à base concave.

L'utilisation de tels récipients peut être à l'origine d'une déformation temporaire de la lèchefrite. Ce phénomène est normal et n'a pas d'incidence sur le bon fonctionnement de l'appareil.



Grille supplémentaire cafetière

À utiliser exclusivement sur le brûleur éco avec des récipients d'un diamètre inférieur à 12 cm.

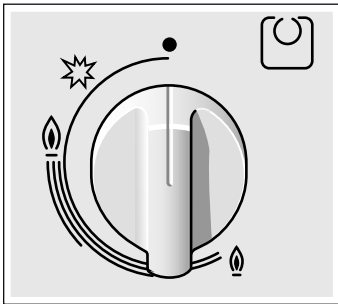
Code

- HEZ298100 Grille supplémentaire wok
- HEZ298110
- HEZ298114 Grille supplémentaire cafetière
- NEZ34VLA Éléments de liaison

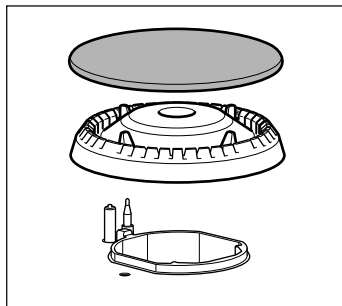
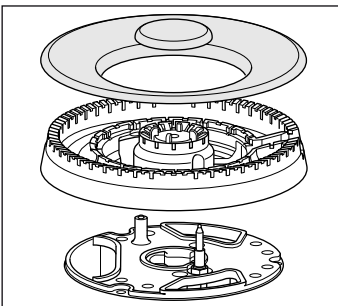
Le fabricant décline toute responsabilité si ces accessoires ne sont pas utilisés ou sont employés de manière incorrecte.

Brûleurs à gaz

Chaque bouton de commande de mise en marche indique le brûleur qu'il contrôle.



Pour un fonctionnement correct de l'appareil, il est indispensable de s'assurer que les grilles et toutes les pièces des brûleurs sont correctement mises en place. N'intervertissez pas les couvercles des brûleurs.



Allumage manuel

1. Appuyez sur le bouton de commande du brûleur choisi et tournez-le vers la gauche jusqu'à la position souhaitée.
2. Approchez un allume-gaz ou une flamme (briquets, allumettes, etc.) du brûleur.

Allumage automatique

Si votre plaque de cuisson dispose d'un allumage automatique (bougies):

1. Appuyez sur le bouton de commande du brûleur choisi puis tournez-le vers la gauche jusqu'à la position de puissance maximum.
Quand le bouton de commande est enfoncé, des étincelles se produisent sur tous les brûleurs. La flamme s'allume.
2. Relâchez le bouton de commande.
3. Tournez le bouton de commande sur la position souhaitée.

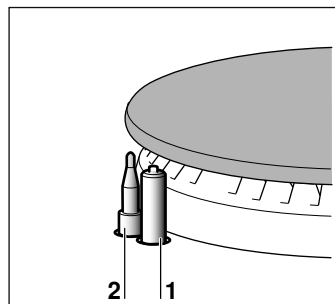
Si l'allumage ne se produit pas, tournez le bouton de commande sur la position de déconnexion puis répétez les étapes. Cette fois, maintenez le bouton de commande enfoncé plus longtemps (pendant 10 secondes maximum).

⚠ Risque de déflagration !

Si au bout de 15 secondes la flamme ne s'est pas allumée, éteignez le brûleur et aérez la pièce. Attendez au moins une minute avant d'essayer de rallumer le brûleur.

Système de sécurité

Votre plaque de cuisson dispose d'un système de sécurité (thermocouple) qui empêche le passage de gaz si les brûleurs s'éteignent accidentellement.



- 1 bougie
- 2 thermocouple

Pour que cet dispositif soit actif :




1. Allumez le brûleur normalement.
2. Maintenez le bouton de commande enfoncé sans le lâcher pendant 4 secondes après l'allumage de la flamme.

Éteindre un brûleur

Tournez le bouton de commande correspondant vers la droite jusqu'à la position 0.

Niveaux de chauffe

Les variateurs vous permettent de régler la puissance dont vous avez besoin entre les niveaux maximum et minimum.

Position		Bouton de commande éteint
Flamme grande		Ouverture ou capacité maximums et connexion électrique
Flamme petite		Ouverture ou capacité minimums

Avertissements

Pendant le fonctionnement du brûleur, il est normal d'entendre un léger sifflement.

Lors des premières utilisations, il est normal que des odeurs se dégagent. Mais cela ne suppose aucun dysfonctionnement. Ces odeurs disparaîtront petit à petit.

Une flamme de couleur orange est normale. Ceci est dû à la présence de poussière dans l'atmosphère, de liquides déversés, etc.

S'il se produit une extinction accidentelle des flammes du brûleur, éteignez le bouton de commande du brûleur et attendez au moins 1 minute avant de le rallumer.

Quelques secondes après avoir éteint le brûleur, un son est émis (coup sec). Il ne s'agit pas d'une anomalie, ceci signifie que la sécurité a été désactivée.

Conservez le brûleur le plus propre possible. Si les bougies sont sales, l'allumage sera défectueux. Nettoyez-les régulièrement avec une petite brosse non métallique. Attention, à ne pas cogner violemment les bougies.

Conseils pour cuisiner

Brûleur	Très fort - Fort	Moyen	Lent
Brûleur wok	Bouillir, cuire, rôtir, dorer, paelas, cuisine asiatique (Wok)	Réchauffer et garder au chaud : plats préparés, plats cuisinés	
Brûleur puissant	Escalope, steak, omelette, fritures	Riz, béchamel, ragoût	Cuisson à la vapeur : poisson, légumes
Brûleur éco	Faire cuire : ragoûts, riz au lait, caramel	Décongeler et cuire à feu doux : légumes secs, fruits, produits congelés	Faire fondre : beurre, chocolat, gélatine.

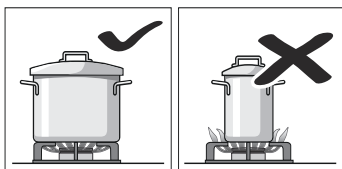
Récipients de préparation

Récipients appropriés

Brûleur	Diamètre minimum du récipient	Diamètre maximum du récipient
Brûleur wok	22 cm	- cm
Brûleur puissant	22 cm	26 cm
Brûleur éco	12 cm	14 cm

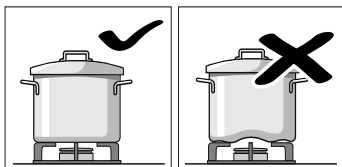
Conseils d'utilisation

Les conseils suivants vous aideront à économiser de l'énergie et à éviter d'endommager les récipients :



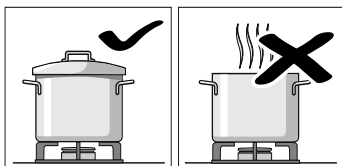
Utilisez des récipients de la taille appropriée à chaque brûleur.

N'utilisez pas de petits récipients sur les grands brûleurs. La flamme ne doit pas toucher les côtés du récipient.

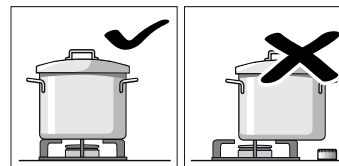


N'utilisez pas de récipients déformés, ayant tendance à être instables sur la plaque de cuisson. Les récipients pourraient se renverser.

N'utilisez que des récipients à base plane et épaisse.

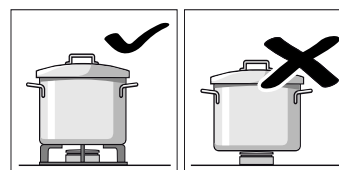


Ne cuisinez pas sans couvercle ni avec celui-ci mal mis. Vous risqueriez ainsi de perdre une partie de l'énergie.



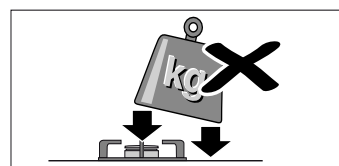
Placez le récipient bien au centre du brûleur. Dans le cas contraire, il risque de se renverser.

Ne placez pas les récipients de grande taille sur les brûleurs situés près des boutons de commandes. Ils risqueraient d'être endommagés en raison de l'excès de chaleur.



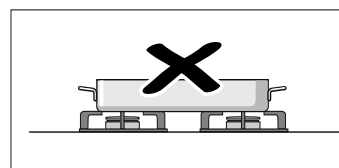
Placez les récipients sur les grilles, jamais directement sur le brûleur.

Vérifiez que les grilles et les couvercles des brûleurs sont bien placés avant de les utiliser.



Manipulez soigneusement les récipients sur la plaque de cuisson.

Ne cognez pas la plaque de cuisson et n'y posez pas d'objets lourds.



N'utilisez pas deux brûleurs ou sources de chaleur pour un seul récipient.

Évitez d'utiliser des plaques pour les grillades, des cassolettes en céramique, etc. longtemps à la puissance maximum.

Nettoyage et entretien

Nettoyage

Quand l'appareil a refroidi, nettoyez-le avec une éponge, de l'eau et du savon.

Après chaque utilisation, nettoyez la surface des différents éléments du brûleur quand il a refroidi. Si des restes sont laissés (aliments recuits, gouttes de graisse, etc.), même infimes, ils s'incrusteront dans la surface et seront plus difficiles à éliminer par la suite. Les trous et les rainures doivent être propres afin que la flamme soit optimale.

Le frottement de certains récipients peut laisser des traces métalliques sur les grilles.

Lavez les brûleurs et les grilles à l'eau savonneuse et frottez-les à l'aide d'une brosse non métallique.

Si les grilles disposent de chevilles en caoutchouc, faites très attention en les nettoyant. Les chevilles peuvent se détacher et la grille peut rayer la plaque de cuisson.

Séchez toujours complètement les brûleurs et les grilles. La présence de gouttes d'eau ou de zones humides au début de la cuisson peut détériorer l'émail.

Après le nettoyage et le séchage des brûleurs, assurez-vous que les couvercles sont bien placés sur le diffuseur.

Attention !

- Ne retirez pas les éléments de commande pour nettoyer l'appareil. Si de l'humidité pénètre dans l'appareil, cela risque de l'endommager.
- N'utilisez pas de machines de nettoyage à vapeur. Cela pourrait endommager la plaque de cuisson.
- Si la plaque de cuisson possède un panneau en verre ou en aluminium, n'utilisez pas de couteau, de racleur ou d'objet similaire pour nettoyer le joint avec le métal.

Maintenance

Nettoyez immédiatement tous les liquides qui coulent. Vous éviterez ainsi que les restes d'aliment ne collent et économiserez des efforts inutiles.

En raison des hautes températures supportées, le brûleur wok et les zones en acier inoxydable (lèchefrite, pourtour des brûleurs, etc.) peuvent changer de couleur. Cela est normal. Après chaque utilisation, nettoyez ces zones avec un produit adapté à l'acier inoxydable.

Il est recommandé d'utiliser régulièrement le produit de nettoyage disponible auprès de notre service technique sous le code 464524.

Attention !

La nettoyant d'acier inoxydable ne doit pas être utilisé dans la zone autour du bandeau de commandes. Les indications (sérigraphie) pourraient être effacées.

Ne laissez pas de liquides acides (jus de citron, vinaigre, etc.) sur la plaque de cuisson.

Résoudre des anomalies

Parfois, les anomalies détectées peuvent être facilement résolues. Avant de contacter le Service Technique, prenez en considération les conseils suivants :

Anomalie	Cause probable	Solution
Le fonctionnement électrique général est en panne.	Fusible défectueux.	Vérifiez dans le boîtier de fusibles général si le fusible est en panne et remplacez-le.
	L'interrupteur magnétothermique ou un interrupteur différentiel a sauté.	Vérifiez dans le tableau de distribution électrique si l'interrupteur magnétothermique ou un interrupteur différentiel a sauté.
L'allumage automatique ne fonctionne pas.	Il peut y avoir des résidus d'aliments ou de nettoyage entre les bougies et les brûleurs.	L'espace entre la bougie et le brûleur doit être propre.
	Les brûleurs sont mouillés.	Séchez soigneusement les couvercles du brûleur.
	Les couvercles du brûleur sont mal placés.	Vérifiez que les couvercles sont bien placés.
	L'appareil n'est pas raccordé à la terre, est mal raccordé à la terre, ou la prise de terre est défectueuse.	Contactez votre installateur électrique.
La flamme du brûleur n'est pas uniforme.	Les pièces du brûleur sont mal placées.	Placez correctement les pièces sur le brûleur correspondant.
	Les rainures du brûleur sont sales.	Nettoyez les rainures du brûleur.
Le flux de gaz ne paraît pas normal ou aucun gaz ne sort.	Le passage de gaz est obstrué par des robinets intermédiaires.	Ouvrez les robinets intermédiaires éventuels.
	Si le gaz provient d'une bouteille, vérifiez qu'elle n'est pas vide.	Changez la bouteille.

Anomalie	Cause probable	Solution
Il y a une odeur de gaz dans la cuisine.	Un robinet est ouvert.	Fermez les robinets.
	Mauvais raccord de la bouteille.	Vérifiez que le raccord est parfait.
	Fuite de gaz éventuelle.	Fermez l'arrivée générale du gaz, aérez l'enceinte et prévenez immédiatement un technicien d'installation agréé afin qu'il vérifie et qu'il atteste du bon fonctionnement de l'installation. N'utilisez pas l'appareil jusqu'à ce que l'absence de fuite de gaz dans l'installation ou l'appareil ait été vérifiée.
Le brûleur s'éteint immédiatement après avoir relâché le bouton de commande.	Vous n'avez pas maintenu le bouton de commande enfoncé suffisamment longtemps.	Une fois le brûleur allumé, maintenez le bouton de commande enfoncé quelques secondes de plus.
	Les rainures du brûleur sont sales.	Nettoyez les rainures du brûleur.

Service Technique

Si vous faites appel à notre Service Technique, vous devez communiquer le numéro de produit (E-Nr.) ainsi que le numéro de fabrication (FD) de l'appareil. Cette information figure sur la plaque signalétique située sur la partie inférieure de la plaque de cuisson, et sur l'étiquette de la notice d'utilisation.

Vous trouverez les données de contact pour tous les pays dans l'annuaire ci-joint du service après-vente.

Commande de réparation et conseils en cas de dérangements

B 070 222 141
FR 01 40 10 11 00
CH 0848 840 040

Faites confiance à la compétence du fabricant. Vous garantissez ainsi que la réparation sera effectuée par des

techniciens de SAV formés qui disposent des pièces de rechange d'origine adaptées à votre appareil.


Conditions de garantie

Si, contrairement à nos attentes, l'appareil présente un dommage ou ne respecte pas les exigences de qualité prévues, veuillez nous l'indiquer dans les plus brefs délais. Pour que la garantie soit valide, l'appareil ne devra pas avoir été manipulé, ni soumis à une mauvaise utilisation.

Les conditions de garantie applicables sont celles établies par la représentation de notre entreprise dans le pays où l'achat a été effectué. Il est possible d'obtenir des informations détaillées dans les points de vente. Il est nécessaire de présenter le bon d'achat pour bénéficier de la garantie.

Tout droit de modification réservé.

Emballage et appareils usagés

Si la plaque signalétique de l'appareil contient le symbole , tenez compte des instructions suivantes.

déversoir contrôlé ; ce n'est probablement pas la meilleure solution, mais nous évitons ainsi de polluer l'eau).

Élimination écologique



Éliminez l'emballage en respectant l'environnement.



Cet appareil est marqué selon la directive européenne 2012/19/UE relative aux appareils électriques et électroniques usagés (waste electrical and electronic equipment - WEEE).

La directive définit le cadre pour une reprise et une récupération des appareils usagés applicables dans les pays de la CE.

L'emballage de votre appareil a été fabriqué avec les matériaux indispensables pour garantir une protection efficace pendant le transport. Ces matériaux sont entièrement recyclables, ce qui réduit l'impact sur l'environnement. Nous vous encourageons à contribuer également à la préservation de l'environnement, en suivant les conseils ci-dessous :

- déposez l'emballage dans une benne de recyclage adaptée,
- avant de vous défaire d'un appareil, mettez-le hors d'état. Consultez votre administration locale pour connaître l'adresse du centre de collecte de matériels recyclables le plus près de chez vous, et apportez-le à ce site,
- ne jetez pas l'huile usagée dans l'évier. Conservez-la dans un récipient fermé et remettez-le à un point de collecte ou, le cas échéant, dans un bac approprié (qui sera remis à un

Indicazioni di sicurezza	15
Il suo nuovo apparecchio	17
Accessori.....	17
Bruciatori a gas	17
Accensione manuale.....	17
Accensione automatica	17
Sistema di sicurezza	17
Spegnere un bruciatore.....	18
Livelli di potenza.....	18
Avvertenze.....	18
Consigli per la cottura.....	18
Recipienti da cucina.....	18
Recipienti adeguati.....	18
Avvertenze per l'uso.....	18

Pulizia e manutenzione.....	19
Pulizia.....	19
Manutenzione	19
Risoluzione di anomalie	19
Servizio di assistenza tecnica.....	20
Condizioni di garanzia	20
Imballaggio e apparecchi usati	20
Smaltimento ecocompatibile	20

Per ulteriori informazioni su prodotti, accessori, pezzi di ricambio e servizi è possibile consultare il sito Internet www.bosch-home.com e l'eShop www.bosch-eshop.com

Indicazioni di sicurezza

Leggere attentamente le presenti istruzioni. Un'attenta lettura garantirà una manipolazione sicura ed efficace dell'apparecchio. Conservare le istruzioni d'uso e installazione e lasciarle sempre a corredo dell'apparecchio in caso di nuovo proprietario.

Il costruttore declina ogni responsabilità in caso di mancata osservanza delle disposizioni del presente manuale.

Le immagini rappresentate in queste istruzioni hanno carattere orientativo.

Non estrarre l'apparecchio dall'imballaggio di protezione fino al momento dell'installazione. Se l'apparecchio risulta danneggiato, non collegarlo all'alimentazione. Contattare il nostro servizio tecnico.

Questo apparecchio rientra nella classe 3 della norma EN 30-1-1 per gli apparecchi a gas: apparecchio incassato in un mobile.

Per l'installazione del nuovo piano di cottura, attenersi strettamente alle istruzioni di montaggio.

Questo apparecchio non può essere installato in yacht o camper.

L'apparecchio deve essere utilizzato solo in luoghi sufficientemente ventilati.

Questo apparecchio non è da utilizzare con un timer esterno o un telecomando separato.

Tutte le operazioni di installazione, connessione, regolazione e adattamento ad altri tipi di gas devono essere effettuate

da un tecnico autorizzato, nel rispetto della normativa e della legislazione applicabili, nonché delle prescrizioni delle società locali di fornitura di gas ed elettricità. Fare particolare attenzione alle disposizioni applicabili in materia di ventilazione.

Questo apparecchio viene predisposto in fabbrica per il tipo di gas indicato sulla targa identificativa. Se fosse necessario modificarlo, consultare le istruzioni di montaggio. Per l'adattamento ad altri tipi di gas, si consiglia di rivolgersi al nostro servizio tecnico.

Questo apparecchio è stato concepito esclusivamente per uso domestico, non è consentito l'uso a scopi commerciali o professionali. Utilizzare l'apparecchio solo per cucinare e non quale fonte di riscaldamento. La garanzia ha validità solo se viene rispettato l'utilizzo per il quale è stato concepito.

Questo apparecchio è progettato solo per l'utilizzo fino ad un'altezza di massimo 2000 metri sul livello del mare.

Non lasciare l'apparecchio incustodito quando è in funzione.

Non utilizzare coperchi o barriere di sicurezza per bambini non consigliate dal produttore del piano di cottura. Possono provocare degli incidenti, ad es. dovuti al surriscaldamento, all'accensione o al distacco di frammenti di materiale.

Questo apparecchio può essere utilizzato da bambini di età pari o superiore a 8 anni

e da persone con ridotte facoltà fisiche, sensoriali o mentali nonché da persone prive di sufficiente esperienza o conoscenza dello stesso se sorvegliate da una persona responsabile della loro sicurezza o se istruite in merito all'utilizzo sicuro dell'apparecchio e consapevoli degli eventuali rischi derivanti da un utilizzo improprio.

I bambini non devono utilizzare l'apparecchio come un giocattolo. I bambini non devono né pulire né utilizzare l'apparecchio da soli a meno che non abbiano un'età superiore agli 15 anni e che siano assistiti da parte di un adulto.

Tenere lontano dall'apparecchio e dal cavo di alimentazione i bambini di età inferiore agli 8 anni.

Pericolo di deflagrazione!

L'accumulo di gas incombusto in un locale chiuso comporta pericolo di deflagrazione. Non esporre l'apparecchio a correnti d'aria. I bruciatori potrebbero spegnersi. Leggere attentamente le istruzioni e le avvertenze relative al funzionamento dei bruciatori a gas.

Pericolo di intossicazione!

L'uso di un apparecchio di cottura a gas genera calore, umidità e prodotti di combustione nel locale in cui è installato. Ventilare bene la cucina, specialmente quando il piano di cottura è in funzione: mantenere libere le aperture di ventilazione naturale oppure installare un dispositivo di ventilazione meccanica (cappa aspirante). L'uso intenso e prolungato dell'apparecchio può richiedere una ventilazione complementare o più efficace: aprire una finestra o incrementare la potenza della ventilazione meccanica.

Pericolo di ustioni!

- Le zone di cottura e le superfici vicine si surriscaldano molto. Non toccare mai le superfici ad alta temperatura. Tenere lontano i bambini al di sotto degli 8 anni.
- Se la bombola del gas liquido non si trova in posizione verticale, il propano/butano liquido può penetrare nell'apparecchio. Potrebbero generarsi violente fiammate dai bruciatori. I componenti potrebbero venire danneggiati e col tempo non essere più a tenuta, provocando la fuoriuscita incontrollata di gas. In entrambi i casi sussiste il pericolo di ustioni. Utilizzare le bombole del gas liquido sempre in posizione verticale.

Pericolo di incendio!

- Le zone di cottura si surriscaldano molto. Non collocare oggetti infiammabili sul piano di cottura. Non conservare alcun oggetto sul piano di cottura.
- Non conservare e non utilizzare, sotto questo elettrodomestico e nelle sue vicinanze, prodotti chimici corrosivi, vapori, materiali infiammabili o prodotti non alimentari.
- Grassi o olio surriscaldati possono infiammarsi facilmente. Non allontanarsi dall'apparecchio durante il riscaldamento di grassi od olio. In caso di incendio, non tentare di spegnere le fiamme con l'acqua. Coprire il recipiente per soffocare il fuoco e scollegare la zona di cottura.

Pericolo di lesioni!

- I recipienti danneggiati, di dimensioni inadeguate, che eccedano i bordi del piano di cottura o siano mal posizionati possono causare lesioni gravi. Seguire le avvertenze e i consigli relativi ai recipienti da cucina.
- In caso di guasto, chiudere il gas e scollegare l'alimentazione elettrica. Per procedere a eventuali riparazioni, contattare il nostro servizio tecnico.
- Non manomettere l'interno dell'apparecchio. In caso di necessità, contattare il nostro servizio tecnico.
- Se una manopola non può essere ruotata oppure è allentata, non deve più essere utilizzata. Rivolgersi repentinamente al servizio di assistenza clienti in modo che la manopola venga riparata o sostituita.

Pericolo di scariche elettriche!

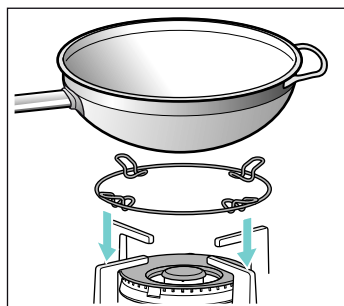
Non utilizzare dispositivi di pulizia a vapore per pulire l'apparecchio.

Il suo nuovo apparecchio

A pagina 2 è riportata una vista generale dell'apparecchio e la potenza dei bruciatori.

Accessori

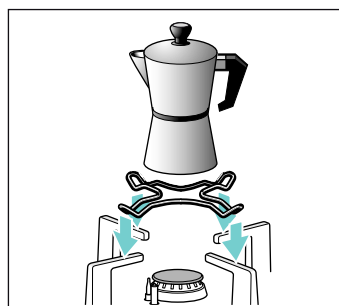
Secondo il modello, il piano di cottura può includere i seguenti accessori. Questi accessori possono essere acquistati anche presso il Servizio Tecnico.



Griglia supplementare wok

Da utilizzare esclusivamente su bruciatori wok, con recipienti a base concava.

L'uso di questi recipienti può provocare una leggera deformazione temporanea sulla parte superiore del piano di cottura. Si tratta di un fenomeno normale che non influisce sul funzionamento dell'apparecchio.



Griglia supplementare caffettiera

Da utilizzare esclusivamente sul bruciatore piccolo, con recipienti di diametro inferiore a 12 cm.

Codice

HEZ298100 Griglia supplementare wok

HEZ298110

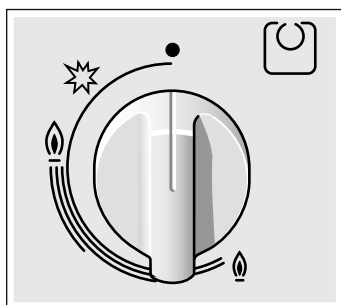
HEZ298114 Griglia supplementare caffettiera

NEZ34VLA Elementi di collegamento

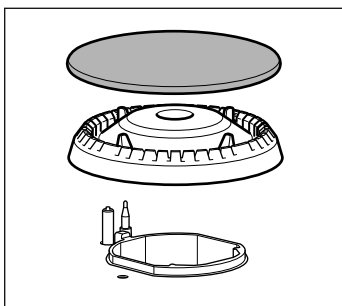
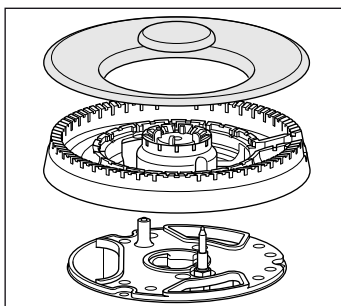
Il costruttore declina ogni responsabilità se non si utilizzano o si utilizzano in modo non corretto questi accessori.

Bruciatori a gas

Su ogni manopola è indicato il bruciatore che controlla.



Per un corretto funzionamento dell'apparecchio, è indispensabile verificare che le griglie e tutti gli elementi dei bruciatori siano collocati correttamente. Non scambiare i coperchi dei bruciatori.



Accensione manuale

1. Premere la manopola del bruciatore scelto e ruotarla verso sinistra, fino alla posizione desiderata.
2. Avvicinare al bruciatore un accendigas o una fiamma (accendini, cerini, ecc.).

Accensione automatica

Se il piano di cottura dispone di accensione automatica (candele):

1. Premere la manopola del bruciatore scelto e ruotarla verso sinistra, fino alla posizione di massima potenza. Quando si preme una manopola, si producono scintille in tutti i bruciatori. La fiamma si accende.
2. Rilasciare la manopola.
3. Ruotare la manopola nella posizione desiderata.

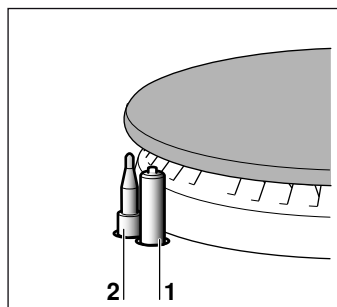
Se l'accensione non avviene, riportare la manopola in posizione di spegnimento e ripetere l'operazione. In questo caso, premere la manopola più a lungo (fino a 10 secondi).

⚠ Pericolo di deflagrazione!

Se, trascorsi 15 secondi, la fiamma non si accende, spegnere il bruciatore e aprire la porta o la finestra del locale. Attendere almeno un minuto prima di riprovare ad accendere il bruciatore.

Sistema di sicurezza

Il piano di cottura dispone di un sistema di sicurezza (termocoppia) che impedisce il passaggio del gas in caso di spegnimento accidentale dei bruciatori.



- 1 candela
- 2 termocoppia

Per garantire che questo dispositivo sia attivo:




1. Accendere il bruciatore come di consueto.
2. Dopo l'accensione della fiamma, non rilasciare la manopola e mantenerla saldamente premuta per 4 secondi.

Spegnere un bruciatore

Ruotare la manopola corrispondente verso destra, portandola in posizione 0.

Livelli di potenza

Le manopole progressive permettono di regolare la potenza tra i livelli massimo e minimo.

Posizione		Manopola chiusa
Fiamma grande		Apertura o capacità massima e accensione elettrica
Fiamma piccola		Apertura o capacità minima

Avvertenze

Durante il funzionamento, è normale che il bruciatore emetta un lieve sibilo.

È normale che l'apparecchio nuovo, quando utilizzato le prime volte, sprigioni degli odori. Questo fenomeno non è indice di rischi o di anomalie di funzionamento ed è destinato a scomparire.

Una fiamma di color arancione è normale. Questo colore si deve alla presenza di polvere nell'ambiente, a liquidi versati, ecc.

In caso di spegnimento accidentale delle fiamme del bruciatore, chiudere la manopola del bruciatore e non cercare di riaccenderlo per almeno 1 minuto.

Qualche secondo dopo lo spegnimento del bruciatore, viene emesso un suono (colpo secco). Non si tratta di un'anomalia, significa solo che la sicurezza si è disattivata.

Mantenere la massima pulizia. Se le candele sono sporche, l'accensione risulta difficile. Pulirle periodicamente con una piccola spazzola non metallica, tenendo conto che le candele non devono subire colpi violenti.

Consigli per la cottura

Bruciatore	Molto forte - Forte	Medio	Lento
Bruciatore wok	Bollire, cuocere, arrostiti, dorare, paella, cucina asiatica (wok)	Riscaldare e mantenere caldi: piatti pronti, piatti cotti	
Bruciatore a fiamma alta	Scaloppina, bistecca, frittata, frittare	Riso, besciamella, ragù	Cottura al vapore di: pesce, verdure
Bruciatore piccolo	Cuocere: stufati, 'riso al latte', crème caramel	Scongelare e cuocere lentamente: legumi, frutta, prodotti congelati	Preparare/fondere: burro, cioccolato, gelatina

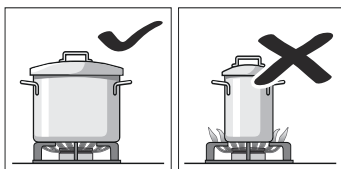
Recipienti da cucina

Recipienti adeguati

Bruciatore	Diametro minimo del recipiente	Diametro massimo del recipiente
Bruciatore wok	22 cm	- cm
Bruciatore a fiamma alta	22 cm	26 cm
Bruciatore piccolo	12 cm	14 cm

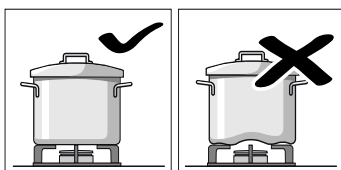
Avvertenze per l'uso

I seguenti consigli consentono di risparmiare energia e di non danneggiare i recipienti:



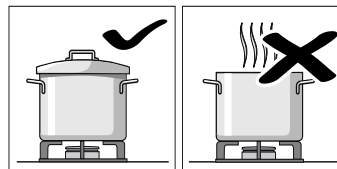
Utilizzare recipienti di dimensioni adeguate a ogni bruciatore.

Non usare recipienti piccoli su bruciatori grandi. La fiamma non deve toccare le pareti laterali del recipiente.

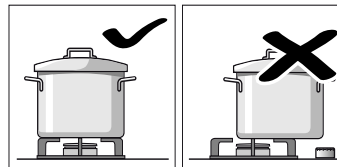


Evitare recipienti deformati che non risultino perfettamente stabili sul piano di cottura. I recipienti potrebbero capovolgarsi.

Utilizzare solo recipienti con base piatta e spessa.

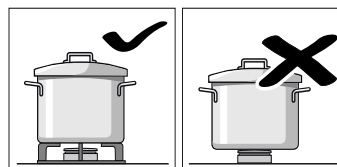


Non cucinare senza coperchio o con il coperchio spostato. Parte dell'energia si disperderebbe.



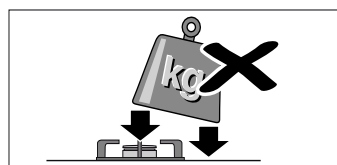
Collocare il recipiente al centro del bruciatore. In caso contrario, potrebbe rovesciarsi.

Non collocare i recipienti grandi sui bruciatori vicini alle manopole. Queste possono subire danni a causa dell'eccessiva temperatura.



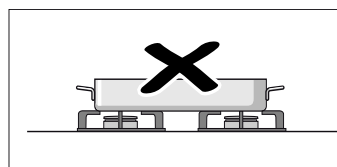
Collocare i recipienti sopra le griglie, mai direttamente sul bruciatore.

Prima di utilizzarli, verificare che griglie e coperchi dei bruciatori siano ben collocati.



Manipolare con cautela i recipienti sul piano di cottura.

Fare attenzione a non urtare il piano di cottura e non appoggiarvi pesi eccessivi.



Non usare due bruciatori o fonti di calore per un solo recipiente.

Evitare di usare piastre, casseruole di terracotta, ecc. per periodi prolungati alla massima potenza.

Pulizia e manutenzione

Pulizia

Una volta raffreddato l'apparecchio, pulirlo con acqua e sapone, utilizzando una spugna.

Dopo ogni uso, pulire la superficie dei rispettivi elementi del bruciatore quando si è raffreddato. Se si lasciano residui (alimenti ricotti, gocce di grasso, ecc.), per piccoli che siano, si incrosteranno sulla superficie e saranno più difficili da eliminare. Per avere la giusta fiamma, è necessario che i fori e le fessure siano puliti.

Il movimento di qualche recipiente potrebbe lasciare residui metallici sulle griglie.

Pulire i bruciatori e le griglie con acqua e sapone e strofinare con una spazzola non metallica.

Se le griglie sono dotate di piedini di gomma, fare attenzione durante le operazioni di pulizia. I piedini possono staccarsi e la griglia può rigare il piano di cottura.

Asciugare sempre e perfettamente i bruciatori e le griglie. La presenza di gocce d'acqua o di zone umide all'inizio della cottura può deteriorare lo smalto.

Dopo aver pulito e asciugato i bruciatori, assicurarsi che i coperchi siano ben collocati sul diffusore.

Attenzione!

- Per la pulizia dell'apparecchio non rimuovere gli elementi di comando. Il sopraggiungere di umidità potrebbe danneggiare l'apparecchio.
- Non utilizzare apparecchi di pulizia a vapore. Il piano di cottura potrebbe danneggiarsi.
- Se il piano di cottura è dotato di una lastra di vetro o alluminio, non usare coltelli, raschietti o utensili simili per pulire la giuntura con il metallo.

Manutenzione

Pulire immediatamente i liquidi che fuoriescono. In tal modo, si evita che i residui di cibo restino attaccati al piano di cottura e si risparmiano sforzi inutili.

A causa della alte temperature sopportate, il bruciatore wok e le zone di acciaio inossidabile (parte superiore del piano di cottura, area circostante ai bruciatori, ecc.) possono cambiare colore. Si tratta di un fenomeno normale. Dopo ogni uso, pulire tali zone con un prodotto adatto all'acciaio inossidabile.

Si raccomanda di utilizzare regolarmente il prodotto di pulizia disponibile presso il nostro servizio tecnico, con codice 464524.

Attenzione!

Il prodotto di pulizia per l'acciaio inossidabile non si deve usare sulla zona intorno alle manopole. Le indicazioni (serigrafia) si possono cancellare.

Non lasciare liquidi acidi (succo di limone, aceto, ecc.) sul piano di cottura.

Risoluzione di anomalie

Alcune volte, eventuali problemi possono essere risolti facilmente. Prima di chiamare il Servizio Tecnico, effettuare i seguenti controlli:

Anomalia	Possibile causa	Soluzione
Guasto elettrico generale.	Fusibile difettoso.	Controllare il fusibile nella scatola generale dei fusibili e, all'occorrenza, sostituirlo.
	È possibile che sia saltato l'interruttore automatico o un differenziale.	Nel quadro elettrico generale, controllare se è saltato l'interruttore automatico o un differenziale.
L'accensione automatica non funziona.	È possibile che vi siano residui di cibo o di prodotti di pulizia fra le candele e i bruciatori.	Lo spazio tra la candela e il bruciatore deve essere pulito.
	I bruciatori sono bagnati.	Asciugare con cura i coperchi dei bruciatori.
	I coperchi dei bruciatori sono collocati in modo non corretto.	Verificare che i coperchi dei bruciatori siano ben collocati.
La fiamma del bruciatore non è uniforme.	L'apparecchio non è collegato a terra, non è collegato correttamente o la presa di terra è difettosa.	Contattare l'installatore elettrico.
	Gli elementi del bruciatore non sono posizionati in modo corretto.	Sistemare i pezzi in maniera corretta sul bruciatore corrispondente.
Il flusso di gas sembra anomalo o il gas non fuoriesce.	Le fessure del bruciatore sono sporche.	Pulire le fessure del bruciatore.
	Il passaggio del gas è chiuso da chiavi intermedie.	Aprire le eventuali chiavi intermedie.
	Se il gas proviene da una bombola, verificare che non sia vuota.	Cambiare la bombola.

Anomalia	Possibile causa	Soluzione
Nella cucina c'è odore di gas.	Qualche rubinetto è aperto.	Chiudere i rubinetti.
	Il raccordo di collegamento della bombola non è serrato correttamente.	Verificare che il raccordo sia in perfette condizioni.
	Possibile perdita di gas.	Chiudere il rubinetto generale del gas, aerare il locale e contattare immediatamente un tecnico autorizzato per la revisione e la certificazione dell'impianto. Prima dell'uso controllare che non ci siano perdite di gas nell'impianto o nell'apparecchio.
Il bruciatore si spegne immediatamente quando si rilascia la manopola.	La manopola non è stata premuta per il tempo sufficiente.	Una volta acceso il bruciatore, tenere premuta la manopola qualche secondo in più.
	Le fessure del bruciatore sono sporche.	Pulire le fessure del bruciatore.

Servizio di assistenza tecnica

In caso di richiesta di intervento del nostro Servizio Tecnico, fornire il codice del prodotto (E-Nr.) e il codice di fabbricazione (FD) dell'apparecchio. Queste informazioni sono riportate sulla targa identificativa, situata nella parte inferiore del piano di cottura, e sull'etichetta del manuale d'uso.

Trovate i dati di contatto di tutti i paesi nell'accluso elenco dei centri di assistenza clienti.

Ordine di riparazione e consulenza in caso di guasti

I 800-829120
Linea verde

CH 0848 840 040

Fidatevi della competenza del Costruttore. In questo modo avrete la garanzia di una riparazione effettuata da tecnici

qualificati del servizio assistenza e con pezzi di ricambio originali per il vostro apparecchio.


Condizioni di garanzia

Se, contrariamente alle nostre aspettative, l'apparecchio presentasse qualche difetto o non rispondesse alle esigenze di qualità previste, le chiediamo di comunicarcelo al più presto. Perché la garanzia sia valida, l'apparecchio non deve essere manomesso o usato impropriamente.

Le condizioni di garanzia applicabili sono quelle stabilite dalla rappresentanza della nostra azienda nel paese in cui è stato effettuato l'acquisto. Informazioni dettagliate sono disponibili presso i punti vendita. Per usufruire della garanzia, è necessario presentare lo scontrino fiscale.

L'azienda si riserva il diritto di apportare modifiche.

Imballaggio e apparecchi usati

Se sulla targa identificativa dell'apparecchio è presente il simbolo , tener conto delle seguenti indicazioni:

Smaltimento ecocompatibile

Si prega di smaltire le confezioni nel rispetto dell'ambiente.



Questo apparecchio dispone di contrassegno ai sensi della direttiva europea 2012/19/UE in materia di apparecchi elettrici ed elettronici (waste electrical and electronic equipment - WEEE).

Questa direttiva definisce le norme per la raccolta e il riciclaggio degli apparecchi dismessi valide su tutto il territorio dell'Unione Europea.

L'imballaggio dell'apparecchio è costituito dagli elementi strettamente necessari a garantire una efficace protezione durante il trasporto. I materiali di imballaggio sono totalmente riciclabili e ridotto, quindi, è il loro impatto ambientale. La invitiamo a contribuire alla salvaguardia dell'ambiente tenendo conto anche dei seguenti consigli:

- smaltire gli elementi dell'imballaggio nei corrispondenti contenitori di riciclaggio,
- prima di consegnare il vecchio apparecchio alla piattaforma di raccolta, renderlo inutilizzabile. Presso i competenti uffici locali, informarsi sul più vicino centro di raccolta di materiali riciclabili per conferire il proprio apparecchio,
- non buttare l'olio usato nel lavandino. Conservarlo in un recipiente chiuso e consegnarlo a un centro di raccolta o, se questo non fosse possibile, gettarlo nella spazzatura (in tal

modo, verrà smaltito in una discarica controllata; pur non trattandosi della migliore soluzione, si evita in questo modo la contaminazione dell'acqua).

Veiligheidsaanwijzingen	21	Reiniging en onderhoud	25
Uw nieuwe apparaat	23	Reiniging	25
Toebehoren	23	Onderhoud	25
Gasbranders	23	Afwijkingen verhelpen	25
Handmatige vonkontsteking	23	Technische dienst	26
Automatische vonkontsteking	23	Garantievoorwaarden	26
Veiligheidssysteem	23	Verpakking en gebruikte apparaten	26
Een brander uitdoven	24	Milieuvriendelijk afvoeren	26
Vermogensstanden	24		
Waarschuwingen	24		
Tips bij het bereiden	24		
Kookpannen	24		
Geschikte pannen	24		
Waarschuwingen voor het gebruik	24		

Meer informatie over producten, accessoires, onderdelen en diensten vindt u op het internet: www.bosch-home.com en in de online-shop: www.bosch-eshop.com

Veiligheidsaanwijzingen

Lees deze instructies aandachtig. Alleen dan kunt u uw apparaat op een juiste en veilige manier gebruiken. Bewaar de gebruiks- en installatie-instructies en overhandig deze met het apparaat indien het van eigenaar wisselt.

De fabrikant is vrij van elke verantwoordelijkheid, indien de beschikkingen van deze handleiding niet nageleefd worden.

De afbeeldingen die bij deze aanwijzingen staan afgedrukt zijn slechts ter oriëntatie.

Haal het apparaat niet uit de beschermende verpakking, tot het moment van de inbouw. Indien u schade waarneemt aan het apparaat, sluit het dan niet aan. Neem contact op met onze Technische Dienst.

Dit apparaat behoort tot klasse 3, volgens de norm EN 30-1-1 voor gasapparaten: apparaat ingebouwd in een meubel.

Zorg, voordat uw nieuwe kookplaat geïnstalleerd wordt, dat de installatie uitgevoerd wordt volgens het installatievoorschrift.

Dit apparaat mag niet worden geïnstalleerd in jachten of caravans.

Dit apparaat mag alleen gebruikt worden in voldoende geventileerde ruimtes.

Dit apparaat is niet bestemd voor gebruik met een externe tijdschakelklok of een afstandbediening.

Alle werkzaamheden betreffende installatie, afstelling en aanpassing aan een ander soort gas moeten worden

uitgevoerd door een bekwaam installateur, waarbij alle toepasbare normen en wetgeving en de voorschriften van de lokale gas- en elektriciteitsmaatschappijen moeten worden nageleefd. Er wordt met name gelet op de voorschriften met betrekking tot ventilatie.

Dit apparaat is vanuit de fabriek aangepast aan het soort gas dat vermeld staat op het gegevensplaatje. Raadpleeg het installatievoorschrift indien dat gewijzigd moet worden. Het wordt aanbevolen onze Technische dienst te bellen voor de aanpassing aan een ander soort gas.

Dit apparaat is enkel ontworpen voor huishoudelijk gebruik. Commercieel of professioneel gebruik hiervan is niet toegestaan. Gebruik het apparaat enkel om te koken, nooit als verwarming. De garantie is alleen geldig als het apparaat gebruikt wordt voor het doel waarvoor het ontworpen is.

Dit apparaat is bestemd voor gebruik tot op hoogten van maximaal 2.000 meter boven zeeniveau.

Zorg ervoor dat er tijdens het gebruik van het apparaat altijd toezicht is.

Gebruik geen deksels of beschermingsbarrières voor kinderen die niet aanbevolen worden door de fabrikant van de kookplaat. Ze kunnen ongevallen veroorzaken, bv. wegens oververhitting, ontsteking of loskomen van materiaaldeeltjes.

Dit toestel kan worden gebruikt door kinderen vanaf 8 jaar en door personen met beperkte fysieke, sensorische of geestelijke vermogens of personen die gebrek aan kennis of ervaring hebben, wanneer zij onder toezicht staan van een persoon die verantwoordelijk is voor hun veiligheid of geleerd hebben het op een veilige manier te gebruiken en zich bewust zijn van de risico's die het gebruik van het toestel met zich meebrengt.

Kinderen mogen niet met het apparaat spelen. Reiniging en onderhoud van het toestel mogen niet worden uitgevoerd door kinderen, tenzij zij 15 jaar of ouder zijn en onder toezicht staan.

Zorg ervoor dat kinderen die jonger zijn dan 8 jaar uit de buurt blijven van het toestel of de aansluitkabel.

Deflagratiegevaar!

Ophoping van onverbrand gas in een afgesloten ruimte veroorzaakt deflagratiegevaar. Stel het apparaat niet bloot aan luchtstromen. De branders zouden kunnen uitgaan. Lees de aanwijzingen en waarschuwingen omtrent de werking van gasbranders aandachtig door.

Risico op vergiftiging!

Het gebruik van een gaskookapparaat veroorzaakt warmte, vocht en verbrandingsproducten in de ruimte waar het geïnstalleerd is. Zorg voor een goede ventilatie in de keuken, met name wanneer kookplaat aan staat: laat de natuurlijke ventilatieopeningen open of installeer een voorziening voor mechanische ventilatie (afzuigkap). Bij intensief en langdurig gebruik van het apparaat kan extra of doeltreffendere ventilatie nodig zijn: zet een raam open of verhoog het vermogen van de mechanische ventilatie.

Gevaar voor brandwonden!

- De kookzones en nabijgelegen zones worden zeer heet. Raak de hete oppervlakken nooit aan. Houd kinderen jonger dan 8 jaar uit de buurt.
- Wanneer de fles voor vloeibaar gas niet loodrecht staat, kan het vloeibare propaan/butaan/ in het apparaat terechtkomen. Er kunnen dan heftige steekvlammen bij de branders optreden. Onderdelen kunnen beschadigd raken en in de loop van de tijd ondicht worden, waardoor er op een ongecontroleerde manier gas ontsnapt. Deze beide

oorzaken kunnen leiden tot verbrandingen. Flessen voor vloeibaar gas altijd in een loodrechte stand houden.

Brandgevaar!

- De kookzones worden zeer heet. Leg nooit ontvlambare voorwerpen op de kookplaat. Bewaar geen voorwerpen op de kookplaat.
- Sla geen corrosieve chemische producten, stoom, ontvlambare materialen of niet-voedingsmiddelen op onder dit huishoudelijk apparaat of in de buurt daarvan.
- Oververhit vet of olie vat gemakkelijk vlam. Ga nooit weg terwijl u vet of olie verhit. Indien dit vlam vat, doof het vuur dan niet met water. Doe een deksel op de pan om het vuur te doven en zet de kookzone uit.

Risico op verwonding!

- Pannen die beschadigd zijn, een ongeschikte afmeting hebben, buiten de randen van de kookplaat uitkomen of niet goed geplaatst zijn kunnen ernstig letsel veroorzaken. Neem de tips en waarschuwingen omtrent pannen in acht.
- Sluit bij storing de stroom- en gastoevoer van het apparaat af. Bel voor de reparatie onze Technische Dienst.
- Manipuleer de binnenzijde van het apparaat niet. Bel indien nodig onze Technische Dienst.
- Wanneer een bedieningsknop los zit of er niet aan kan worden gedraaid, mag hij niet meer worden gebruikt. Neem direct contact op met de servicedienst, om de knop te laten repareren of vervangen.

Gevaar voor elektrische schokken!

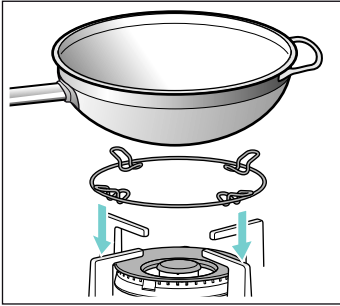
Gebruik geen stoomreinigers om het apparaat te reinigen.

Uw nieuwe apparaat

Op bladzijde 2 staat een algemeen overzicht van uw apparaat en van het vermogen van de branders.

Toebehoren

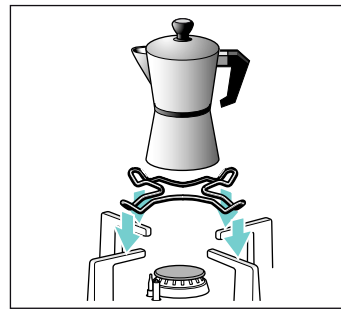
Afhankelijk van het model, kan de kookplaat de onderstaande toebehoren bevatten. Deze kunnen ook worden aangeschaft bij de technische dienst.



Aanvullend rooster wok

Enkel om te gebruiken voor wokbranders met pannen met holronde bodem.

Het gebruik van deze pannen kan een zekere tijdelijke vervorming in de vetpot veroorzaken. Dit is normaal en heeft geen invloed op de werking van het apparaat.



Aanvullend rooster koffiepot

Uitsluitend te gebruiken op de hulpbrander met pannen met een diameter kleiner dan 12 cm.

Code

HEZ298100 Aanvullend rooster wok

HEZ298110

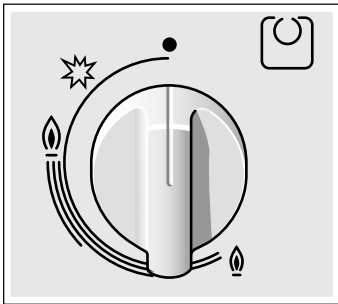
HEZ298114 Aanvullend rooster koffiepot

NEZ34VLA Verbindingselementen

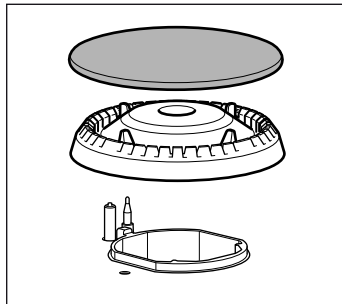
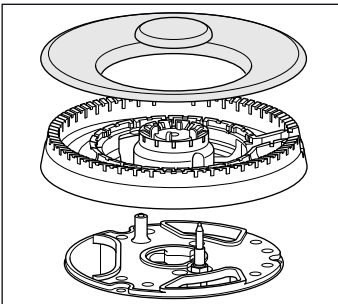
De fabrikant neemt geen verantwoordelijkheid op zich wanneer deze toebehoren niet of verkeerd gebruikt worden.

Gasbranders

Op elke bedieningsknop staat de brander aangeduid die deze controleert.



Voor een correcte werking van het apparaat is het noodzakelijk om te controleren of de roosters en alle delen van de branders juist geplaatst zijn. Vervissel de deksels van de branders niet.



Handmatige vonkontsteking

1. Druk op de knop van de gekozen brander en draai deze naar links tot de gewenste stand.
2. Breng een aansteker of vlam (aanstekers, lucifers, enz.) bij de brander.

Automatische vonkontsteking

Indien uw kookplaat beschikt over automatische vonkontsteking (bougies).

1. Druk op de knop van de gekozen brander en draai deze naar links tot de maximale vermogensstand. Terwijl de knop ingedrukt is, ontstaan vonken in alle branders. De vlam gaat aan.
2. Laat de knop los.
3. Draai de knop in de gewenste stand.

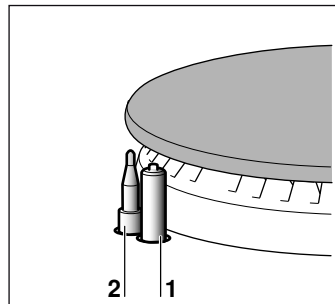
Indien deze niet ontvlamt, draai de knop in de uitstand en herhaal de stappen. Houd deze keer de knop langer ingedrukt (tot 10 seconden).

⚠ Deflagratiegevaar!

Indien na het verstrijken van 15 seconden de vlam niet aangaat, schakel de brander uit en open de deur of het venster van de ruimte. Wacht minstens een minuut voordat u probeert de brander aan te steken.

Veiligheidssysteem

Uw kookplaat beschikt over een veiligheidssysteem (thermokoppel) dat de gasuitlaat verhindert indien de branders per ongeluk uitgaan.



1 bougie

2 thermokoppel

Om te garanderen dat deze voorziening actief zou zijn:

1. Ontsteek de brander op gewone wijze.
2. Laat de knop niet los, houd deze stevig ingedrukt gedurende 4 seconden nadat de vlam ontstoken is.

Een brander uitdoven

Draai de overeenstemmende knop naar rechts tot stand 0.

Vermogensstanden

Met de progressieve knoppen kan het vermogen geregeld worden dat u nodig heeft, tussen de maximum- en de minimumstand.

Stand	●	Knop gesloten
Grote vlam	🔥	Maximale opening of capaciteit en elektrische vonkontsteking
Kleine vlam	🔥	Minimale opening of capaciteit

Waarschuwingen

Tijdens de werking van de brander is het normaal dat u een zachte fluittoon hoort.

De eerste keren dat het apparaat gebruikt wordt is het normaal dat er geuren vrijkomen. Dit betekent geen risico noch defecte werking. Deze verdwijnen na verloop van tijd.

Een vlam met een oranje kleur is normaal. Dit komt door de aanwezigheid van stof in de omgeving, gemorste vloeistof, enz.

Mocht de vlam van de brander per ongeluk uitgaan, sluit dan de bedieningsknop van de brander en wacht ten minste 1 minuut alvorens hem weer te proberen aan te steken.

Enkele seconden nadat de brander uitgaat, klinkt er een geluid (plof). Dit is geen afwijking, dit betekent dat de veiligheid gedeactiveerd is.

Houd zo zuiver mogelijk. Indien de bougies vuil zijn, zal de ontsteking gebrekkig zijn. Reinig deze regelmatig met een kleine niet-metalen borstel, houd er rekening mee dat de bougies geen harde schokken mogen ondergaan.

Tips bij het bereiden

Brander	Zeer hevig - Hevig	Middelhoog	Laag
Wokbrander	Aan de kook brengen, koken, braden, aanbakken, paella's, Aziatische gerechten (wok)	Opwarmen en warm houden: bereid voedsel, kant-en-klaarmaaltijden	
Sterke brander	Schnitzel, steak, omelet, gefrituurde gerechten	Rijst, bechamel, ragout	Stomen: vis, groenten
Hulpbrander	Koken: stoofschotels, rijstepap, karamel	Ontdooien en langzaam koken: peulvruchten, fruit, diepvriesproducten	Bereiden/smelten: boter, chocolade, gelatine

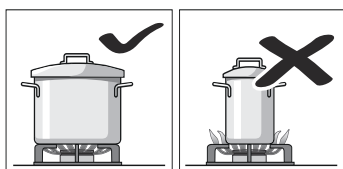
Kookpannen

Geschikte pannen

Brander	Minimumdiameter van de pan	Maximumdiameter van de pan
Wokbrander	22 cm	- cm
Sterke brander	22 cm	26 cm
Hulpbrander	12 cm	14 cm

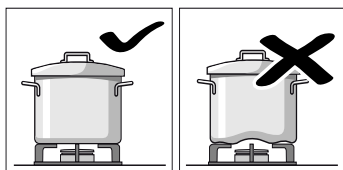
Waarschuwingen voor het gebruik

Onderstaande raadgevingen helpen u energie te besparen en schade vermijden aan de pannen:



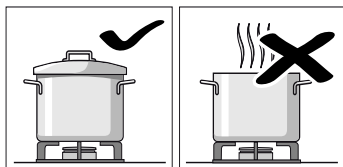
Gebruik pannen met een geschikte maat voor elke brander.

Gebruik geen kleine pannen op grote branders. De vlam mag de zijanten van de pan niet raken.

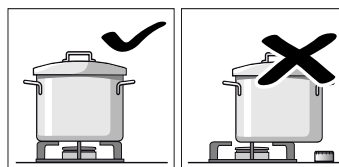


Gebruik geen vervormde pannen die onstabiel staan op de kookplaat. De pannen zouden kunnen kantelen.

Gebruik altijd pannen met een vlakke en dikke bodem.

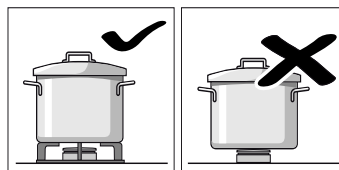


Kook niet zonder deksel of met verschoven deksel. Een deel van de energie gaat verloren.



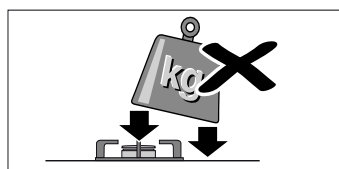
Plaats de pan op het midden van de brander. Zo niet, dan kan deze omvallen.

Plaats geen grote pannen op de branders naast de knoppen. Deze kunnen beschadigd worden wegens te hoge temperatuur.



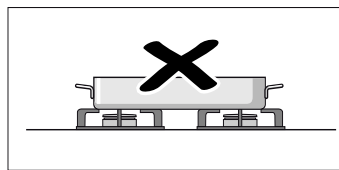
Plaats de pannen op de roosters, nooit rechtstreeks op de brander.

Controleer voor gebruik of de roosters en de branderdeksels op de juiste wijze zijn geplaatst.



Hanteer de pannen voorzichtig op de kookplaat.

Stoot niet tegen de kookplaat aan, noch plaats hierop te hoge gewichten.



Gebruik geen twee branders of warmtebronnen voor één pan.

Vermijd het gebruik van grillplaten, kookpotten van aardewerk, enz. gedurende lange tijd op het maximumvermogen.

Reiniging en onderhoud

Reiniging

Wanneer het apparaat koud is, reinig het met een spons, water en zeep.

Reinig na elk gebruik het oppervlak van de verschillende elementen van de brander, nadat deze is afgekoeld. Achtergebleven resten (aangekoekt voedsel, vetdruppels, enz.), hoe weinig ook, zetten zich vast op het oppervlak en zijn later moeilijker te verwijderen. Voor een correcte vlam moeten de openingen en gleuven schoon zijn.

De beweging van sommige pannen kan metaalresten achterlaten op de roosters.

Reinig de branders en de roosters met zeepsop en wrijf erover met een niet-metalen borstel.

Indien de roosters rubber voetjes hebben, wees voorzichtig bij het reinigen hiervan. De voetjes kunnen losraken en het rooster kan de kookplaat krassen.

Droog de branders en de roosters altijd volledig. De aanwezigheid van waterdruppels of vochtige zones bij de aanvang van het koken kan het email beschadigen.

Na het reinigen en drogen van de branders, zorg dat de branderdeksels juist geplaatst zijn op de diffusor.

Attentie!

- Het is niet toegestaan de bedieningselementen te verwijderen om het apparaat schoon te maken. Het apparaat kan dan beschadigd raken door inkomend vocht.
- Gebruik geen stoomreinigers. Dit zou de kookplaat kunnen beschadigen.
- Indien de kookplaat een glazen of aluminium paneel heeft, gebruik geen mes, schraper of dergelijke om de verbinding met het metaal te reinigen.

Onderhoud

Reinig meteen gemorste vloeistof. Zo wordt vermeden dat de etensresten zouden kleven en bespaart u onnodige inspanningen.

Vanwege de hoge temperatuur kunnen de wokbrander en de roestvrij stalen zones (vetpot, omtrek van de branders, etc.) van kleur veranderen. Dit is normaal. Reinig, na elk gebruik, deze zones met een geschikt product voor roestvrij staal.

Er wordt aanbevolen regelmatig het reinigingsmiddel te gebruiken dat beschikbaar is bij onze technische dienst met code 464524.

Attentie!

Het schoonmaakmiddel voor roestvrij staal mag niet gebruikt worden in de zone rond de bedieningsknoppen. Dit om te voorkomen dat de aanwijzingen (serigrafie) worden uitgeveegd.

Laat geen zure vloeistoffen (citroensap, azijn, enz..) op de kookplaat.

Afwijkingen verhelpen

In sommige gevallen kunnen de waargenomen afwijkingen gemakkelijk verholpen worden. Neem de volgende raadgevingen in acht alvorens de Technische dienst te bellen:

Afwijking	Mogelijke oorzaak	Oplossing
De algemene elektrische werking is defect.	Defecte zekering.	Controleer in de zekeringkast of de zekering stuk is en vervang deze.
	De automaat of een differentieel is gesprongen.	Controleer op het schakelbord of de automaat of een differentieel is gesprongen.
De automatische vonkontsteking werkt niet.	Er kunnen voedingsresten of resten van reinigingsmiddelen tussen de bougies en de branders zitten.	De ruimte tussen de bougie en de brander moet schoon zijn.
	De branders zijn nat.	Maak de branderdeksels zorgvuldig droog.
	De branderdeksels zijn niet juist geplaatst.	Controleer of de deksels juist geplaatst zijn.
De vlam van de brander is niet gelijkmatig.	Het apparaat is niet geaard, niet goed aangesloten of de aardleiding is defect.	Neem contact op met de elektrische installateur.
	De delen van de brander zijn niet juist geplaatst.	Plaats de onderdelen op de juiste wijze op de bijbehorende brander.
De gasstroom lijkt niet normaal of er komt geen gas uit.	De gleuven van de brander zijn vuil.	Reinig de gleuven van de brander.
	De gasuitlaat is gesloten met afsluitkranen.	Open de mogelijke afsluitkranen.
	Indien het gas uit een gasfles komt, kijk dan of deze leeg is.	Vervang de gasfles.

Afwijking	Mogelijke oorzaak	Oplossing
Het ruikt naar gas in de keuken.	Een kraan is open.	Sluit de kranen.
	De gasfles is niet goed aangesloten.	Controleer of de aansluiting perfect is.
	Mogelijk gaslek.	Draai de gaskraan dicht, ventileer de ruimte en waarschuw onmiddellijk een installatietechnicus, voor controle en certificatie van de installatie. Gebruik het apparaat niet totdat zeker is gesteld dat er geen gaslek is in de installatie of het apparaat.
De brander gaat meteen uit als de knop wordt losgelaten.	De knop is niet lang genoeg ingedrukt.	Houd de knop, nadat de brander ontvlamt, nog enkele seconden ingedrukt.
	De gleuven van de brander zijn vuil.	Reinig de gleuven van de brander.

Technische dienst

Indien onze Technische Dienst aangevraagd wordt, dient het productnummer (E-Nr.) en het fabricagenummer (FD) van het apparaat te worden verstrekt. Deze informatie staat op het gegevensplaatje, op de onderzijde van de kookplaat en op het label van de gebruiksaanwijzing.

De contactgegevens in alle landen vindt u in de bijgesloten lijst met Servicedienstadressen.

Verzoek om reparatie en advies bij storingen

NL 088 424 4010

B 070 222 141

Vertrouw op de competentie van de fabrikant. Dan bent u ervan verzekerd dat de reparatie wordt uitgevoerd door ervaren technici die gebruikmaken van de originele reserveonderdelen voor uw apparaat.

Garantievoorwaarden

Indien het apparaat, tegen onze verwachting in, schade vertoont of niet voldoet aan de voorziene kwaliteitseisen, verzoeken we u om ons dit zo snel mogelijk te laten weten. Opdat de garantie geldig zou zijn, mag het apparaat niet gemanipuleerd noch onderworpen zijn aan een ongeschikt gebruik.

De garantievoorwaarden die van toepassing zijn, worden bepaald door de vertegenwoordiging van onze onderneming in het land waarin de aankoop uitgevoerd is. U kunt gedetailleerde informatie aanvragen op onze verkooppunten. U moet het aankoopbewijs tonen om gebruik te maken van de garantie.

Recht op wijzigingen voorbehouden.

Verpakking en gebruikte apparaten

Indien op het gegevensplaatje van het apparaat het symbool  getoond wordt, houd rekening met onderstaande aanwijzingen:

Milieuvriendelijk afvoeren

Voer de verpakking op een milieuvriendelijke manier af.



Dit apparaat is gekenmerkt in overeenstemming met de Europese richtlijn 2012/19/EU betreffende afgedankte elektrische en elektronische apparatuur (waste electrical and electronic equipment - WEEE).

De richtlijn geeft het kader aan voor de in de EU geldige terugneming en verwerking van oude apparaten.

De verpakking van uw apparaat is vervaardigd uit materialen die strikt noodzakelijk zijn om een goede bescherming te garanderen tijdens het vervoer. Deze materialen zijn volledig recyclebaar, op deze wijze wordt het milieueffect vermindert. We nodigen u uit om ook bij te dragen tot het behoud van het milieu, door onderstaande raadgevingen op te volgen:

- gooi de verpakking in de daarvoor bestemde container voor recycling,
- maak een afgedankt apparaat onbruikbaar alvorens het weg te doen. Raadpleeg bij uw lokale overheid het adres van het dichtstbijzijnde inzamelplaats voor recyclebaar materiaal en lever daar uw apparaat in,
- spoel gebruikte olie niet door de gootsteen. Bewaar deze in een gesloten vat en geef deze af in een inzamelpunt of bij het ontbreken hiervan, in een vuilnisbak, (deze komt terecht op een gecontroleerde stortplaats; waarschijnlijk is dit niet de beste oplossing, maar we vermijden waterverontreiniging).

Indicações de segurança.....	27
O novo aparelho	29
Acessórios.....	29
Queimadores a gás	29
Acendimento manual	29
Acendimento automático	29
Sistema de segurança.....	29
Apagar um queimador.....	30
Níveis de potência.....	30
Advertências	30
Recomendações para cozinhados	30
Recipientes para cozinhados	30
Recipientes apropriados	30
Advertências para utilização.....	30

Limpeza e manutenção	31
Limpeza	31
Manutenção	31
Solucionar anomalias	31
Serviço de assistência técnica	32
Condições de garantia	32
Embalagem e aparelhos utilizados	32
Eliminação ecológica	32

Obtenha mais informações relativas a produtos, acessórios, peças sobresselentes e Assistência Técnica na Internet: www.bosch-home.com e na loja Online: www.bosch-eshop.com

⚠ Indicações de segurança

Leia atentamente estas instruções. Só assim poderá manusear o aparelho de forma eficaz e segura. Conserve as instruções de uso e de instalação e entregue-as juntamente com o aparelho se este mudar de dono.

O fabricante fica isento de qualquer tipo de responsabilidade caso não se cumpram as disposições deste manual.

As imagens apresentadas ao longo das instruções servem apenas para orientação.

Não retire o aparelho da embalagem de protecção até ao momento de ser encastrado. Se observar algum dano no aparelho, não o ligue. Entre em contacto com o nosso Serviço de Assistência Técnica.

Este aparelho corresponde à classe 3, segundo a norma EN 30-1-1 para aparelhos a gás: aparelho encastrado num móvel.

Antes de instalar a sua nova placa de cozedura, certifique-se de que segue todas as instruções de montagem durante a instalação.

Este aparelho não pode ser instalado em iates ou caravanas.

Este aparelho deve ser apenas utilizado em locais com uma ventilação adequada.

Este aparelho não foi previsto para ser utilizado com um temporizador externo ou um telecomando externo.

Todos os trabalhos de instalação, ligação, regulação e adaptação a outros tipos de

gás devem ser efectuados por um técnico autorizado, respeitando todas as regulamentações e legislação aplicáveis, bem como o estipulado pelas empresas locais fornecedoras de gás e electricidade. Deve prestar particular atenção às disposições aplicáveis relativamente à ventilação.

Este aparelho vem adaptado da fábrica para o tipo de gás indicado na placa de características. Caso seja necessário alterar o tipo de gás, consulte as instruções de montagem. Recomenda-se chamar o nosso Serviço de Assistência Técnica para a adaptação a outros tipos de gás.

Este aparelho foi unicamente concebido para utilização doméstica, não podendo, por isso, ser utilizado para fins comerciais ou profissionais. Utilize o aparelho unicamente para cozinhar, nunca como aparelho de aquecimento. A garantia apenas será válida caso o aparelho seja utilizado correctamente e para os fins a que se destina.

O aparelho foi concebido para ser utilizado até a uma altitude de 2000 metros acima do nível do mar, no máximo.

Não deixe o aparelho a funcionar sem vigilância.

Não utilize tampas ou barreiras de protecção, para crianças, que não sejam recomendadas pelo fabricante da placa de cozedura. Podem provocar acidentes, por ex. devido ao sobreaquecimento, ignição ou libertação de fragmentos de materiais.

Este aparelho pode ser usado por crianças com mais de 8 anos e por pessoas com limitações físicas, sensoriais ou mentais ou com pouca experiência ou conhecimentos, se estiverem sob vigilância de uma pessoa responsável pela sua segurança ou tiverem sido instruídas acerca da utilização segura do aparelho e tiverem compreendido os perigos decorrentes da sua utilização.

As crianças não devem brincar com o aparelho. As tarefas de limpeza e manutenção por parte do utilizador não devem ser efectuadas por crianças, a não ser que tenham mais de 15 anos e estejam sob vigilância.

As crianças menores de 8 anos devem manter-se afastadas do aparelho e do cabo de ligação.

Perigo de deflagração!

A acumulação do gás que não é queimado, num espaço fechado, pode causar deflagração. Não submeta o aparelho a correntes de ar. Os queimadores poderiam apagar-se. Leia atentamente as instruções e advertências relativas ao funcionamento dos queimadores a gás.

Perigo de intoxicação!

A utilização de um aparelho de cozedura a gás produz calor, humidade e produtos de combustão no local onde está instalado. Garanta uma boa ventilação na cozinha, especialmente enquanto a placa de cozedura estiver em funcionamento: mantenha as aberturas de ventilação natural abertas ou instale um dispositivo de ventilação mecânica (campânula com exaustor). A utilização intensa e prolongada do aparelho pode requerer uma ventilação complementar ou mais eficaz: abra uma janela ou aumente a potência da ventilação mecânica.

Perigo de queimaduras!

- As zonas de cozedura e zonas adjacentes aquecem muito. Nunca toque nas superfícies quentes. Mantenha as crianças com menos de 8 anos afastadas do aparelho.
- Quando a garrafa de gás de petróleo liquefeito (GPL) não está na vertical, pode passar propano/butano líquido para o aparelho, podendo originar labaredas intensas nos queimadores. Os componentes poderão ser danificados e, com o tempo, deixar de vedar corretamente, permitindo a saída descontrolada de gás. Qualquer destas

situações pode provocar queimaduras. Coloque sempre garrafas de GPL na posição vertical.

Perigo de incêndio!

- As zonas de cozedura aquecem muito. Não coloque objectos inflamáveis sobre a placa de cozedura. Não deixe objectos sobre a placa de cozedura.
- Não armazene nem utilize produtos químicos corrosivos, vapores, materiais inflamáveis ou produtos não alimentares por baixo deste electrodoméstico, nem perto dele.
- As gorduras ou óleos sobreaquecidos são facilmente inflamáveis. Não se ausente enquanto estiver a aquecer gorduras ou óleos. Se se inflamarem, não apague o fogo com água. Cubra o recipiente com uma tampa para apagar o fogo e desligue a zona de cozedura.

Perigo de lesões!

- Os recipientes que apresentem danos, com um tamanho inadequado, que ultrapassem as margens da placa de cozedura ou que estejam mal posicionados, podem provocar graves lesões. Tenha em consideração as recomendações e advertências relativas aos recipientes para cozinhados.
- Em caso de avaria, corte a alimentação eléctrica e o fornecimento de gás do aparelho. Para proceder à reparação, recorra ao nosso Serviço de Assistência Técnica.
- Não manipule o interior do aparelho. Se tal for necessário, recorra ao nosso Serviço de Assistência Técnica.
- Se não for possível rodar um botão de comando ou se ele estiver solto, não pode continuar a utilizá-lo. Dirija-se de imediato ao serviço de assistência técnica, para que o botão de comando seja reparado ou substituído.

Perigo de descarga eléctrica!

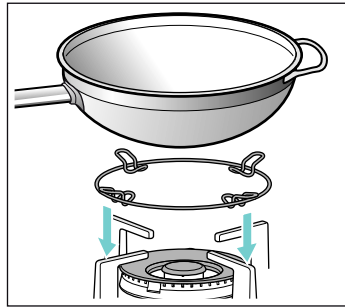
Não utilize máquinas de limpeza a vapor para limpar o aparelho.

O novo aparelho

Na página 2 encontra uma vista geral do seu aparelho, assim como a potência dos queimadores.

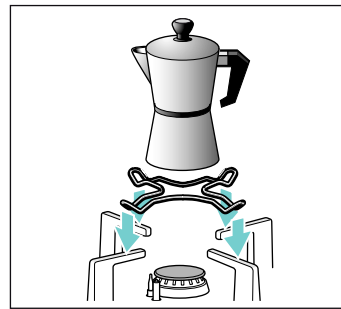
Acessórios

Dependendo do modelo, a placa de cozedura pode incluir os seguintes acessórios. Estes também podem ser adquiridos junto do Serviço de assistência técnica.



Grelha adicional para wok
Para utilizar exclusivamente em queimadores para wok com recipientes de base côncava.

A utilização destes recipientes pode causar uma certa deformação temporária na pingadeira. Tal é normal e não influencia o funcionamento do aparelho.



Grelha adicional para cafeteira

Para utilizar exclusivamente no queimador económico com recipientes de diâmetro inferior a 12 cm.

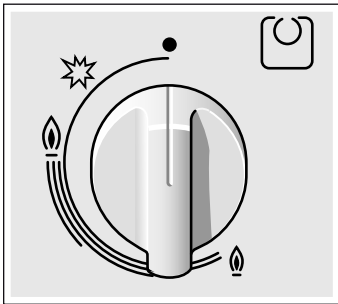
Código

HEZ298100 Grelha adicional para wok
HEZ298110
HEZ298114 Grelha adicional para cafeteira
NEZ34VLA Elementos de ligação

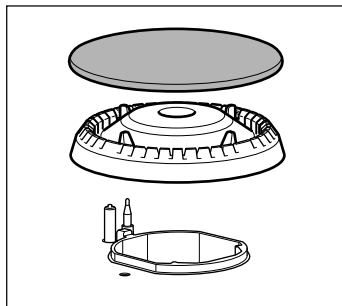
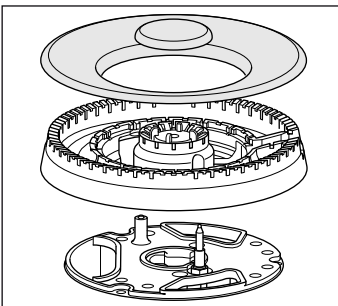
O fabricante não se responsabiliza caso não utilize estes acessórios ou o faça de forma inadequada.

Queimadores a gás

Cada comando de accionamento mostra o queimador que controla.



Para um funcionamento correcto do aparelho é importante certificar-se de que as grelhas e todas as peças dos queimadores estão correctamente colocadas. Não troque as tampas dos queimadores.



Acendimento manual

1. Prima o comando do queimador seleccionado e gire-o para a esquerda até à posição desejada.
2. Aproxime qualquer tipo de isqueiro de cozinha ou chama (isqueiro de bolso, fósforos, etc.) ao queimador.

Acendimento automático

Se a placa de cozedura estiver equipada com um dispositivo de acendimento automático (bugias):

1. Pressione o comando do queimador seleccionado e rode-o para a esquerda até à posição de potência máxima. Enquanto o comando estiver premido, produzem-se faíscas em todos os queimadores. A chama acende-se.
2. Deixe de pressionar o comando.
3. Gire o comando para a posição desejada.

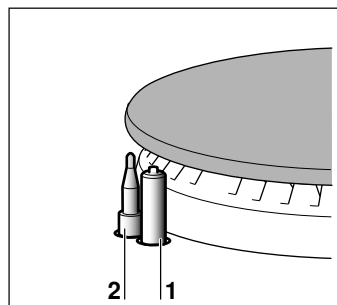
Se o queimador não se acender, rode o comando para a posição de apagado e repita os passos. Desta vez, mantenha o comando pressionado durante mais tempo (até 10 segundos).

⚠ Perigo de deflagração!

Se passados 15 segundos a chama não acender, apague o queimador e abra a porta ou a janela do espaço em que se encontra. Espere, pelo menos, um minuto antes de tentar acender o queimador.

Sistema de segurança

Esta placa de cozedura dispõe de um sistema de segurança (termopar) que impede a passagem do gás se os queimadores se apagarem acidentalmente.



- 1 bugia
2 termopar

Para garantir que este aparelho está activado:




1. Acenda o queimador normalmente.
2. Sem soltar o comando, mantenha-o firmemente pressionado durante 4 segundos após a chama se ter acendido.

Apagar um queimador

Rode o comando correspondente para a direita até à posição 0.

Níveis de potência

Os comandos progressivos permitem regular a potência que necessita entre os níveis máximo e mínimo.

Posição		Comando na posição de desligado
Chama grande		Abertura ou capacidade máximas e acendimento eléctrico
Chama pequena		Abertura ou capacidade mínima

Advertências

Durante o funcionamento do queimador, é normal que um ligeiro silvo seja emitido.

Quando utilizado inicialmente é normal que sejam libertados odores. Tal não constitui qualquer perigo nem é sinónimo de avaria. Os odores vão desaparecendo.

Uma chama cor-de-laranja é normal. Deve-se à presença de partículas de pó no ar, líquidos derramados, etc.

No caso de uma extinção accidental da chama do queimador, desligue o comando de accionamento do e não tente reacendê-lo durante, pelo menos, 1 minuto.

Alguns segundos depois de se apagar o queimador, emitir-se-á um som (som seco). Tal não é sinónimo de avaria, significa apenas que a segurança está desactivada.

Mantenha a limpeza máxima. Se as bugias estiverem sujas, a ligação será defeituosa. Limpe as bugias periodicamente utilizando uma escova não metálica pequena, lembrando-se que as bugias não devem sofrer impactos violentos.

Recomendações para cozinhados

Queimador	Muito forte - Forte	Médio	Lento
Queimador para wok	Ferver, cozer, assar, dourar, paellas, comida asiática (wok)	Reaquecer e manter quentes: pratos preparados, pratos cozinhados	
Queimador rápido	Escalopes, bifes, tortilhas, fritos	Arroz, bechamel, guisados	Cozinhar a vapor: peixes, hortaliças
Queimador económico	Cozer: estufados, arroz-doce, caramelo	Descongelar e cozer lentamente: legumes, frutas, produtos congelados	Fazer/derreter: manteiga, chocolate, gelatina

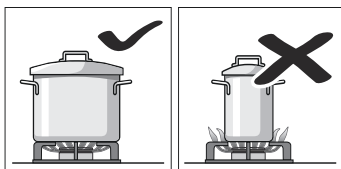
Recipientes para cozinhados

Recipientes apropriados

Queimador	Diâmetro mínimo do recipiente	Diâmetro máximo do recipiente
Queimador para wok	22 cm	- cm
Queimador rápido	22 cm	26 cm
Queimador económico	12 cm	14 cm

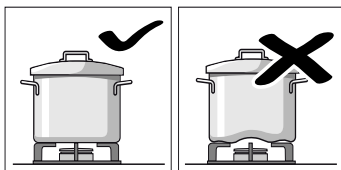
Advertências para utilização

As seguintes recomendações ajudá-lo-ão a poupar energia e a evitar danos nos recipientes:



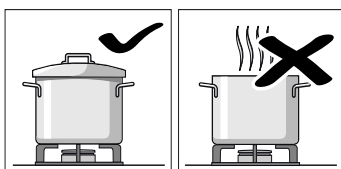
Utilize recipientes de tamanho adequado a cada queimador.

Não utilize recipientes pequenos em queimadores grandes. A chama não deve tocar nos lados do recipiente.

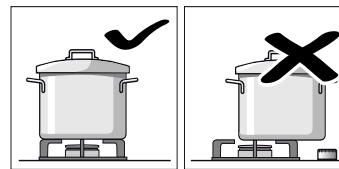


Não utilize recipientes deformados que não fiquem estáveis sobre a placa de cozedura. Os recipientes poderiam virar-se.

Utilize apenas recipientes de base plana e grossa.

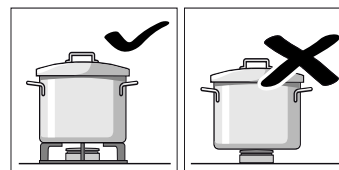


Não deve cozinhar sem tampa ou com a tampa mal colocada. Grande parte da energia é desperdiçada.



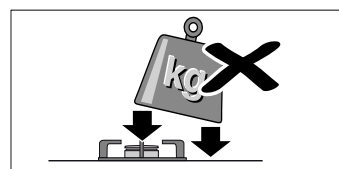
Coloque o recipiente bem centrado sobre o queimador. Caso contrário, o recipiente poderá virar-se.

Não coloque os recipientes grandes sobre os queimadores próximos dos comandos. Estes podem ficar danificados devido ao excesso de temperatura.



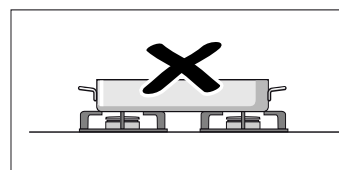
Coloque os recipientes sobre as grelhas e nunca directamente sobre o queimador.

Antes de utilizar, certifique-se de que as grelhas e as tampas dos queimadores estão bem colocadas.



Manuseie os recipientes com cuidado sobre a placa de cozedura.

Não golpee a placa de cozedura, nem coloque pesos excessivos sobre a mesma.



Não utilize dois queimadores ou fontes de calor para um só recipiente.

Evite a utilização prolongada de grelhadores, caçarolas de barro, etc. na potência máxima.

Limpeza e manutenção

Limpeza

Deixe o aparelho arrefecer e limpe-o com uma esponja, água e detergente.

Depois de cada utilização, limpe a superfície dos respectivos elementos do queimador assim que o mesmo tiver arrefecido. Se forem deixados restos (alimentos ressequidos, gotas de gordura, etc.), por mínimos que sejam, estes irão ficar colados à superfície, sendo mais difíceis de remover. É necessário que os furos e as ranhuras estejam limpos para que a chama se forme correctamente.

O movimento de alguns recipientes pode deixar restos metálicos sobre as grelhas.

Limpe os queimadores e as grelhas com água e detergente e esfregue-os com uma escova não metálica.

Se as grelhas tiverem bases de borracha, tenha cuidado ao limpá-las. As bases podem soltar-se e a grelha pode riscar a placa de cozedura.

Seque sempre os queimadores e as grelhas completamente. Se houver água ou zonas húmidas, no início da cozedura, pode deteriorar o esmalte.

Depois da limpeza e secagem dos queimadores, verifique se as tampas estão bem colocadas sobre o difusor.

Atenção!

- Não tire os elementos de comando para limpar o aparelho. A entrada de humidade pode danificar o aparelho.
- Não utilize máquinas de limpeza a vapor. Poderá danificar a placa de cozedura.
- Se a placa de cozedura estiver equipada com um painel de vidro ou de alumínio, não utilize facas, espátulas nem utensílios semelhantes para limpar a união com o metal.

Manutenção

Limpe imediatamente, em caso de derrame de líquidos. Desta forma, evita que restos de comida se agarrem, o que dificulta a limpeza.

Devido às altas temperaturas suportadas, o queimador para wok e as zonas de aço inoxidável (pingadeira, contorno dos queimadores, etc.) podem sofrer alterações na cor. Tal é normal. Depois de cada utilização, limpe estas zonas com um produto especial para aço inoxidável.

É recomendada a utilização regular do produto de limpeza, disponível através do nosso Serviço de assistência técnica, com o código 464524.

Atenção!

Não utilize limpador de aço inoxidável na zona ao redor dos botões. As indicações (serigrafia) podem-se apagar.

Não deixe que líquidos ácidos (sumo de limão, vinagre, etc.) entrem em contacto com a placa de cozedura.

Solucionar anomalias

Por vezes as anomalias detectadas podem ser facilmente solucionadas. Antes de chamar o Serviço de Assistência Técnica tenha em conta as seguintes recomendações:

Anomalia	Causa possível	Solução
O funcionamento eléctrico geral está avariado.	Fusível defeituoso.	Verificar o fusível na caixa geral de fusíveis e substituir, caso esteja avariado.
	O interruptor termomagnético ou diferencial disparou.	Verificar se o interruptor termomagnético ou diferencial disparou no quadro de distribuição de energia.
O acendimento automático não funciona.	Podem existir restos de alimentos ou de produtos de limpeza entre as bugias e os queimadores.	Este espaço, entre a bugia e o queimador, deve estar limpo.
	Os queimadores estão molhados.	Secar cuidadosamente as tampas dos queimadores.
	As tampas dos queimadores estão mal colocadas.	Certificar-se de que as tampas estão correctamente colocadas.
	O aparelho não está ligado à terra, está mal ligado ou a tomada de terra está defeituosa.	Contactar o instalador eléctrico.
A chama do queimador não é uniforme.	As peças do queimador estão mal colocadas.	Colocar correctamente as peças sobre o queimador correspondente.
	As ranhuras do queimador estão sujas.	Limpar as ranhuras do queimador.
O fluxo de gás não parece normal ou não sai gás.	A passagem de gás está fechada por chaves intermédias.	Abrir as possíveis chaves intermédias.
	Se o gás for fornecido por uma botija, verificar se esta não está vazia.	Substituir a botija.

Anomalia	Causa possível	Solução
Há um cheiro a gás na cozinha.	Está uma torneira aberta.	Fechar as torneiras.
	Acoplamento incorrecto da botija.	Verificar se o acoplamento está correcto.
	Possível fuga de gás.	Fechar a torneira geral de segurança, arejar o espaço onde se encontra e contactar imediatamente um técnico de instalação autorizado para fazer a revisão e certificação da instalação. Voltar a utilizar o aparelho apenas quando tiver a certeza de que não existe qualquer fuga de gás na instalação ou no próprio aparelho.
O queimador desliga-se imediatamente após soltar o comando.	O comando não foi pressionado durante tempo suficiente.	Depois de o queimador estar aceso, manter o comando pressionado durante mais uns segundos.
	As ranhuras do queimador estão sujas.	Limpar as ranhuras do queimador.

Serviço de assistência técnica

Se solicitar o nosso Serviço de Assistência Técnica, deve indicar o número do produto (E-Nr.) e o número de fabrico (FD) do aparelho. Esta informação consta da placa de características, situada na parte inferior da placa de cozedura e na etiqueta do manual de utilização.

Os dados para contacto com todos os países encontram-se no índice dos Serviços Técnicos anexo.

Ordem de reparação e apoio em caso de anomalias

PT 21 4250 730
PT 0,10€/min. Mobile 0,25€/min

Confie na competência do fabricante. Assim, poderá ter a certeza de que a reparação é executada por técnicos especializados com a devida formação e com as peças de reparação originais para o seu aparelho.


Condições de garantia

Se, contrariamente às nossas expectativas, o aparelho apresentar algum dano ou se não cumprir com as exigências de qualidade previstas, solicitamos que nos comunique o mais rápido possível. Para que o serviço de garantia seja válido, o aparelho não deverá ter sido manipulado, nem submetido a uma má utilização.

As condições de garantia vigentes são as estabelecidas pelo representante da nossa empresa no país onde se realizou a compra. Informações pormenorizadas podem ser obtidas nos pontos de venda. É necessário apresentar o comprovativo de compra para beneficiar do serviço de garantia.

Reserva-se o direito de realizar alterações.

Embalagem e aparelhos utilizados

Se, na placa de características do aparelho, aparecer o símbolo , tenha em atenção as seguintes indicações.

Eliminação ecológica

Elimine a embalagem de forma ecológica.



Este aparelho está marcado em conformidade com a Directiva 2012/19/UE relativa aos resíduos de equipamentos eléctricos e electrónicos (waste electrical and electronic equipment - WEEE).

A directiva estabelece o quadro para a criação de um sistema de recolha e valorização dos equipamentos usados válido em todos os Estados Membros da União Europeia.

A embalagem do seu aparelho foi fabricada com os materiais estritamente necessários para garantir uma protecção eficaz durante o transporte. Estes materiais são totalmente recicláveis, sendo assim reduzido o impacto ambiental. Convidamo-lo a participar também na conservação do meio ambiente, cumprindo com as seguintes recomendações:

- deposite a embalagem no contentor de reciclagem adequado,
- antes de se desfazer de qualquer aparelho, inutilize-o. Consulte a administração local para saber o endereço do centro de recolha de materiais recicláveis mais próximo e entregue aí o seu aparelho,
- não deite fora o óleo utilizado pelo lava-louça. Guarde-o num recipiente fechado e entregue-o num centro de recolha ou,

na sua falta, deposite-o num contentor de lixo orgânico (acabará por ser depositado num aterro controlado; provavelmente não é a melhor solução, mas desta forma evitamos a contaminação da água.



Robert Bosch Hausgeräte GmbH

Carl-Wery-Straße 34

81739 München

Germany

www.bosch-home.com



9000819200

(E)
970317