

Gas hob
Placa de cocción a gas
Table de cuisson gaz

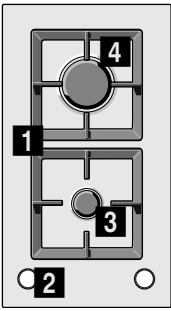


BOSCH

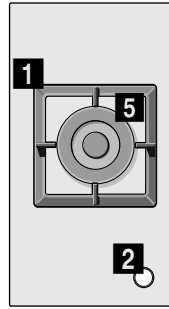
[en] Instruction manual 3
[es] Instrucciones de uso 10

[fr] Notice d'utilisation 17

PSB3...2..



PSA3...2..



-
- 1** Pan supports
 - 2** Control knobs
 - 3** Semi-rapid burner (up to 1.75 kW)

-
- 4** Rapid burner (up to 3 kW)
 - 5** Triple-flame wok burner (up to 4 kW)

-
- 1** Parrillas
 - 2** Mandos
 - 3** Quemador semi-rápido de hasta 1,75 kW

-
- 4** Quemador rápido de hasta 3 kW
 - 5** Quemador wok de triple llama de hasta 4 kW

-
- 1** Grilles
 - 2** Boutons de commande
 - 3** Brûleur semi-rapide de 1,75 kW maximum

-
- 4** Brûleur rapide de 3 kW maximum
 - 5** Brûleur wok triple flamme de 4 kW maximum

en Table of contents

Safety precautions	3	Cleaning and maintenance	7
Your new appliance	5	Cleaning	7
Accessories	5	Maintenance	7
Gas burners	5	Trouble shooting	8
Switching on manually	6	Technical Assistance Service	8
Switching on automatically	6	Warranty conditions	8
Safety system	6	Used appliances and packaging	9
Switching off a burner	6	Environmentally-friendly disposal	9
Power levels	6		
Warnings	6		
Cooking guidelines	6		
Cooking pans	7		
Suitable pans	7		
Precautions for use	7		

Additional information on products, accessories, replacement parts and services can be found at www.bosch-home.com and in the online shop www.bosch-eshop.com

Safety precautions

Read these instructions carefully. You will only be able to use your appliance safely and effectively when you have read them. These operating and installation instructions should be retained, and passed onto the buyer if the appliance is sold.

The manufacturer is exempt from all responsibility if the requirements of this manual are not complied with.

The images shown in these instructions are for guidance only.

Do not remove the appliance from its protective packaging until it is installed in the unit. Do not switch on the appliance if it is damaged in any way. Contact our Technical Assistance Service.

This appliance is class 3 type, according to the EN 30-1-1 regulation for gas appliances: built-in appliance.

Before installing your new hob, ensure that it is being installed according to the assembly instructions.

This appliance cannot be installed on yachts or in caravans.

This appliance must only be used in well ventilated places.

This appliance is not intended for operation with an external clock timer or a remote control.

All operations relating to installation, connection, regulation and conversion to other gas types must be performed by an authorised technician, respecting all applicable regulations, standards and the

specifications of the local gas and electricity suppliers. Special attention shall be paid to ventilation regulations.

This appliance leaves the factory set to the gas type that is indicated on the specifications plate. If this needs to be changed, please consult the assembly instructions. It is recommended you contact the Technical Assistance Service to change to another gas type.

This appliance has been designed for home use only, not for commercial or professional use. This appliance is only intended for cooking purposes, not as a heating system. The warranty will only be valid if the appliance is used for the purpose for which it was designed.

Never leave the appliance unattended during operation.

Do not use lids or protective barriers for children which are not recommended by the hob manufacturer. They may cause accidents such as those due to the overheating, ignition or detachment of fragments of materials.

This appliance may be used by children 8 years old and older and by persons with reduced physical, sensory or mental capacity or a lack of experience or knowledge if they are supervised or they have been instructed about the safe use of the appliance and have understood the associated dangers.

Never let children play with the appliance. Cleaning and user maintenance must not be carried out by unsupervised children.

Risk of deflagration!

Accumulation of unburned gas in an enclosed area carries a risk of deflagration. Do not subject the appliance to draughts. These might blow out the burners. Carefully read the instructions and warnings on the operation of gas burners.

Risk of poisoning!

The kitchen will become hot and humid and combustion products produced when this gas appliance is used. Make sure the kitchen is well ventilated, particularly when the hob is in operation: either keep the natural ventilation apertures open, or install a ventilation system (extractor hood). Intense prolonged use of the appliance may require additional or more effective ventilation: open a window or increase the power of the ventilation system.

Risk of burns!

The hotplates and their immediate vicinity get very hot. Never touch the hot surfaces. Keep children under 8 years old well away from this appliance.

Risk of fire!

- The hotplates get very hot. Do not rest inflammable objects on the hob. Do not store objects on the hob.
- Do not store or use corrosive chemicals, products which produce fumes, inflammable materials or non-food products below or near this domestic appliance.
- Fat or oil which is overheated can catch fire easily. Never leave fat or oil to heat up unattended. If oil or fats do catch fire, never use water to put the fire out. Put the fire out by covering the pan with a lid and switch off the hotplate.

Risk of injuries!

- Pans which are damaged, are not the right size, hang over the edge of the hob or are not positioned correctly can cause serious injuries. Follow the advice and warnings provided relating to the cooking pans.

- In the event of a malfunction, turn off the appliance's gas and electricity supply. For repairs, call our Technical Assistance Service.
- Do not tamper with the appliance's interior. If necessary, call our Technical Assistance Service.
- If one of the control knobs will not turn, do not force it. Call the Technical Assistance Service immediately so that they can repair or replace them.

Risk of electric shock!

- Do not clean the appliance using steam cleaners.
- Cracks or breaks in the glass may carry an electrocution risk. Disconnect the fuse from the fuse box. Notify the Technical Assistance Service.

Your new appliance

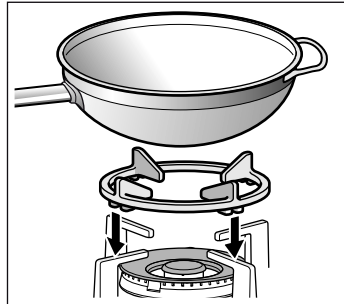
Page 2 shows an overall view of your new appliance as well as the burner power.

Accessories

The following accessories can be purchased from the Technical Assistance Service:

Coupling profile

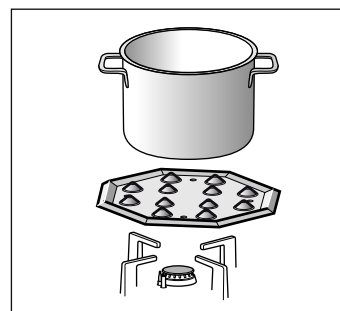
To combine appliances together and/or conventional hobs of the same brand.



Additional wok pan support

Only for use on double and triple-flame wok burners with pans which are more than 26 cm in diameter, grill pans, earthenware casserole dishes, large pans with a round base, etc.

The additional wok pan support should be used to prolong the appliance's useful life.



Simmer Plate

This accessory has been designed to reduce the level of heat at the lowest power setting.

Place the accessory directly on the pan support with the cones facing upwards, never directly over the burner. Centre the pan over the accessory.

Code

HEZ394301 Coupling profile

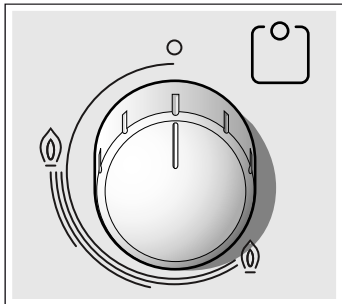
HEZ298127 Additional wok pan support

HEZ298105 Simmer Plate

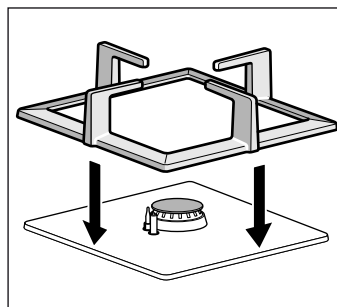
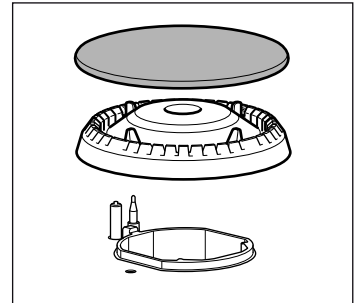
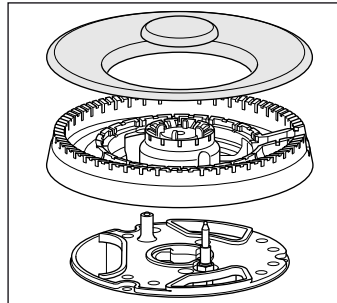
The manufacturer accepts no liability if these accessories are not used or are used incorrectly.

Gas burners

There are indications to show which burner each control knob operates.



It is essential to ensure that all the burner parts and pan supports are correctly installed for the appliance to work correctly. Do not swap the burner caps around.



Switching on manually

1. Press the chosen burner control knob and turn it anticlockwise to the required setting.
2. Use any type of lighter or flame (cigarette lighter, matches, etc.) and bring it close to the burner.

Switching on automatically

If your hob can be switched on automatically (ignition sparkers):

1. Press the chosen burner control knob and turn it anticlockwise to the maximum power setting.
While the control knob is still pressed down, sparks are produced on all burners. The flame ignites.
2. Release the control knob.
3. Turn the control knob to the required setting.

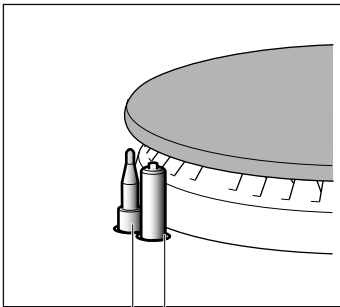
If it does not come on, turn the control knob to the off setting and repeat the steps above. This time, press and hold the control knob for longer (up to 10 seconds).

Risk of deflagration!

If after 15 seconds the flame does not ignite, switch off the burner and open a nearby window or door. Wait at least one minute before trying to switch the burner back on.

Safety system

Depending on the model, your hob may have a safety system (thermocouple) that prevents the flow of gas if the burners accidentally switch off.



thermocouple ignition sparker

To ensure that this device is active:




1. Switch on the burner as usual.
2. Without releasing the control knob, press and hold it down firmly for 4 seconds after lighting the flame.

Switching off a burner

Turn the corresponding control knob clockwise to the 0 setting.

Power levels

The progressive control knobs can be used to control the power needed, from minimum to maximum power.

Setting		Control knob off
High flame		Maximum capacity or aperture and electricity on
Low flame		Minimum capacity or aperture

Warnings

It is normal to hear a soft whistling noise while the burner is operating.

When first used, it is normal for the burner to give off odours. This does not pose any risk and does not indicate a malfunction. They will disappear in time.

An orange-coloured flame is normal. This is caused by the presence of dust in the atmosphere, spilt liquids, etc.

If the burner flames are accidentally blown out, switch off the burner operating control knob and do not try to relight it for at least 1 minute.

A few seconds after the burner is switched off, a sound (thud) will be produced. This is not a fault - this means that the safety device is no longer operating.

Keep the burner as clean as possible. If the ignition sparkers are dirty they will not light properly. Clean them periodically using a small non-wire brush. Bear in mind that the ignition sparkers must not suffer any serious impacts.

Cooking guidelines

Burner	Very high - High	Medium	Low
Wok burner	Boiling, steaming, griddling, toasting, paellas, Asian food (wok).	Reheating and keeping things hot: cooked and pre-cooked dishes	
Rapid burner	Escalopes, steaks, omelettes, frying	Rice, white sauce, ragout	Steaming: fish, vegetables
Semi-rapid burner	Steamed potatoes, fresh vegetables, vegetable stews, pasta	Reheating, keeping things hot and making tasty casseroles	

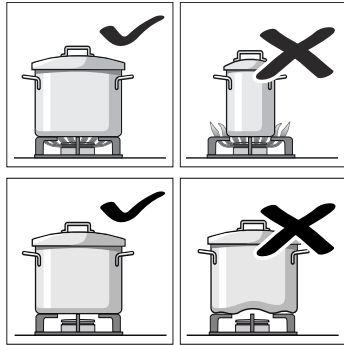
Cooking pans

Suitable pans

Burner	Minimum pan diameter	Maximum pan diameter
Wok burner	22 cm	
Rapid burner	22 cm	26 cm
Semi-rapid burner	14 cm	20 cm

Precautions for use

The following advice is intended to help you save energy and prevent pan damage:

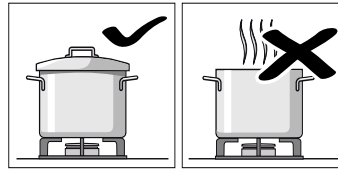


Use pans which are the right size for each burner.

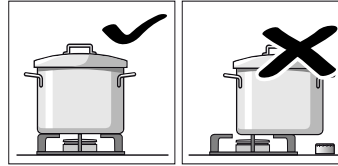
Do not use small pans on large burners. The flame must not touch the sides of the pan.

Do not use damaged pans, which do not sit evenly on the hob. Pans may tip over.

Only use pans with a thick, flat base.

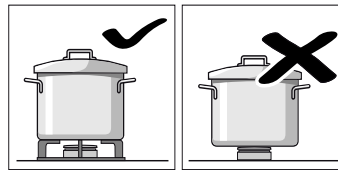


Do not cook without using a lid and make sure the lid is properly fitted. This wastes energy.



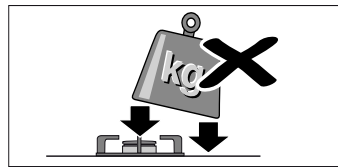
Always centre the pan over the burner, not to one side. Otherwise it could tip over.

Do not place large pans on the burners near the control knobs. These may be damaged by the very high temperatures.



Place the pans on the pan supports, never directly on the burner.

Make sure that the pan supports and burner caps are correctly positioned before using the appliance.



Pans should be placed on the hob carefully.

Do not strike the hob and do not place excessive weight on it.

Cleaning and maintenance

Cleaning

Once the appliance is cool, use a sponge to clean it with soap and water.

After each use, clean the surface of the respective burner parts once they have cooled down. If any residue is left (baked-on food, drops of grease etc.), however little, it will become stuck to the surface and more difficult to remove later. The holes and grooves must be clean for the flame to ignite properly.

The movement of some pans may leave metal residue on the pan supports.

Clean the burners and pan supports using soapy water and scrub with a non-wire brush.

Always dry the burners and pan supports completely. Water droplets or damp patches on the hob at the start of cooking may damage the enamel.

After cleaning and drying the burners, make sure the burner caps are correctly positioned on the diffuser.

Caution!

- Do not use steam cleaners. This could damage the hob.
- Never use abrasive products, steel scourers, sharp implements, knives, etc. to remove bits of hardened food from the hob.
- Do not use knives, scrapers or similar implements to clean the point where the glass meets the burner trims, the metal frames or the glass/aluminium panels, if fitted.

Maintenance

Always clean off any liquid as soon as it is spilt. This will prevent food remains from sticking to the hob surface and you will save yourself any unnecessary effort.

Never slide pans across the glass surface, as you may scratch it. In addition, try not to drop heavy or sharp objects on the glass. Never strike any part of the hob.

Grains of sand that may come from cleaning fruits and vegetables will scratch the glass surface.

Melted sugar, or foods which contain a lot of sugar which may have spilt, should be cleaned off the hotplate immediately, using the glass scraper.

Trouble shooting

Sometimes certain faults detected can be easily resolved. Before calling the Technical Assistance Service, bear in mind the following advice:

Fault	Possible cause	Solution
The general electrical system is malfunctioning.	Defective fuse.	Check the fuse in the main fuse box and change it if it is damaged.
	The automatic safety switch or circuit breaker has tripped.	Check the main control panel to see if the automatic safety switch or circuit breaker has tripped.
The automatic switching on function does not work.	There may be food or cleaning products stuck between the ignition sparkers and the burners.	The space between the ignition sparker and the burner must be clean.
	The burners are wet.	Dry the burner caps carefully.
	The burner caps are not correctly positioned.	Check that the burner caps are correctly positioned.
	The appliance is not earthed, is poorly connected or the earthing is faulty.	Contact the installation technician.
The burner flame is not uniform.	The burner components are not correctly positioned.	Correctly place the parts on the appropriate burner.
	The grooves on the burner are dirty.	Clean the grooves on the burner.
The gas flow is not normal or there is no gas.	The gas supply is blocked by gas taps.	Open all gas taps.
	If the gas is supplied from a gas cylinder, check that it is not empty.	Change the gas cylinder.
The kitchen smells of gas.	A gas tap has been left on.	Turn off the taps.
	Incorrect coupling of gas cylinder.	Check that the coupling is sound.
	Possible gas leak.	Shut off the gas supply, ventilate the premises and immediately notify an authorised installation technician to check and certify the installation. Do not use the appliance until ensuring that there is no gas leak in the installation or appliance itself.
The burner immediately switches off after releasing the control knob.	The control knob was not held down for long enough.	Once the burner is on, hold the control knob down a few seconds longer.
	The grooves on the burner are dirty.	Clean the grooves on the burner.

Technical Assistance Service

When contacting our Technical Assistance Service, please provide the product number (E-Nr.) and production number (FD) of the appliance. This information is given on the specifications plate located on the lower section of the hob and on the label in the user manual.

Please find the contact data of all countries in the enclosed customer service list.

To book an engineer visit and product advice

GB 0844 8928979
Calls from a BT landline will be charged at up to 3 pence per minute. A call set-up fee of up to 6 pence may apply.

IE 01450 2655
0.03 € per minute at peak. Off peak 0.0088 € per minute.

Rely on the professionalism of the manufacturer. You can therefore be sure that the repair is carried out by trained service technicians who carry original spare parts for your appliances.


Warranty conditions

In the unlikely event that the appliance is damaged or does not meet your expectations in terms of quality, please inform us as soon as possible. For the warranty to be valid, the appliance must not have been tampered with, or used inappropriately.

The applicable warranty conditions are those set out by the company's representative office in the country of purchase. Detailed information is available from retail outlets. Proof of purchase must be presented to obtain the benefits of the warranty.

We reserve the right to introduce changes.

Used appliances and packaging

If the  symbol is shown on the specifications plate, bear in mind the following instructions:

Environmentally-friendly disposal

Dispose of packaging in an environmentally-friendly manner.



This appliance is labelled in accordance with European Directive 2012/19/EU concerning used electrical and electronic appliances (waste electrical and electronic equipment - WEEE). The guideline determines the framework for the return and recycling of used appliances as applicable throughout the EU.

The packaging of your appliance has been manufactured using only the materials which are strictly necessary to guarantee efficient protection during transport. These materials are 100% recyclable, thus reducing the environmental impact. You can also contribute to caring for the environment by following the advice below:

- Dispose of the packaging in the appropriate recycling bin.
- Before you get rid of an old appliance, make sure you disable it. Contact your local authority to find out the address of your nearest recycling centre to dispose of your appliance.
- Do not pour used oil down the sink. Collect it in a sealed container and take it to an appropriate collection point or, failing that, place it in the rubbish bin (it will end up in a controlled dump; this is probably not the best option, but it will avoid contaminating ground water)

Indicaciones de seguridad	10	Limpieza y mantenimiento	14
Su nuevo aparato	12	Limpieza.....	14
Accesorios	12	Mantenimiento	14
Quemadores de gas	12	Solucionar anomalías	15
Encendido manual.....	13	Servicio de asistencia técnica	15
Encendido automático	13	Condiciones de garantía	15
Sistema de seguridad	13	Embalaje y aparatos usados	16
Apagar un quemador.....	13	Eliminación de residuos respetuosa con el medio ambiente. 16	
Niveles de potencia.....	13		
Advertencias	13		
Consejos de cocinado.....	13		
Recipientes de cocinado	14		
Recipientes apropiados.....	14		
Advertencias de uso	14		

Encontrará más información sobre productos, accesorios, piezas de repuesto y servicios en internet: www.bosch-home.com y también en la tienda online: www.bosch-eshop.com

Indicaciones de seguridad

Lea atentamente estas instrucciones. Solo entonces podrá manejar su aparato de manera efectiva y segura. Conserve las instrucciones de uso e instalación y entréguelas con el aparato si este cambia de dueño.

El fabricante queda exento de toda responsabilidad si no se cumplen las disposiciones de este manual.

Las imágenes representadas en estas instrucciones tienen carácter orientativo.

No saque el aparato del embalaje protector hasta el momento del encastre. Si observa algún daño en el aparato, no lo conecte. Póngase en contacto con nuestro Servicio Técnico.

Este aparato corresponde a la clase 3, según la norma EN 30-1-1 para aparatos a gas: aparato encastrado en un mueble.

Antes de instalar su nueva placa de cocción asegúrese de que la instalación se realiza siguiendo las instrucciones de montaje.

Este aparato no puede ser instalado en yates o caravanas.

Este aparato se debe utilizar únicamente en lugares suficientemente ventilados.

Este aparato no está previsto para el funcionamiento con un reloj temporizador externo o un mando a distancia.

Todos los trabajos de instalación, conexión, regulación y adaptación a otros tipos de gas deben ser realizados por un técnico autorizado, respetando toda la

normativa y legislación aplicables y las prescripciones de las compañías locales proveedoras de gas y electricidad. Se pondrá especial atención a las disposiciones aplicables en cuanto a la ventilación.

Este aparato sale de fábrica adaptado al tipo de gas que indica la placa de características. Si fuera necesario cambiarlo, consulte las instrucciones de montaje. Se recomienda llamar a nuestro Servicio Técnico para la adaptación a otros tipos de gas.

Este aparato ha sido diseñado solo para uso doméstico, no está permitido su uso comercial o profesional. Utilice el aparato únicamente para cocinar, nunca como calefacción. La garantía únicamente tendrá validez en caso de que se respete el uso para el que fue diseñado.

Durante el funcionamiento, el aparato no debe dejarse sin vigilancia.

No use tapas o barreras de protección para niños que no estén recomendadas por el fabricante de la placa de cocción. Pueden provocar accidentes, p. ej. debido al sobrecalentamiento, ignición o desprendimiento de fragmentos de materiales.

Este aparato puede ser utilizado por niños a partir de 8 años y personas que presenten limitaciones en sus facultades físicas, sensoriales o psíquicas o que carezcan de experiencia y conocimientos si son supervisados o han sido instruidos

respecto al uso seguro del aparato y son conscientes de los peligros que conlleva su uso.

No dejar que los niños jueguen con el aparato. La limpieza y el mantenimiento rutinario no debe encomendarse a los niños a menos que estén supervisados.

¡Peligro de deflagración!

La acumulación de gas sin quemar en un recinto cerrado conlleva peligro de deflagración. No someta el aparato a corrientes de aire. Los quemadores podrían apagarse. Lea atentamente las instrucciones y advertencias relativas al funcionamiento de los quemadores de gas.

¡Peligro de intoxicación!

El uso de un aparato de cocción a gas produce calor, humedad y productos de combustión en el local donde está instalado. Asegure una buena ventilación de la cocina, especialmente mientras la placa de cocción esté en funcionamiento: mantenga abiertos los orificios de ventilación natural o instale un dispositivo de ventilación mecánica (campana extractora). La utilización intensa y prolongada del aparato puede necesitar una ventilación complementaria o más eficaz: abra una ventana o aumente la potencia de la ventilación mecánica.

¡Peligro de quemaduras!

Las zonas de cocción y adyacentes se calientan mucho. No toque nunca las superficies calientes. Mantenga alejados a los niños menores de 8 años.

¡Peligro de incendio!

- Las zonas de cocción se calientan mucho. No coloque objetos inflamables sobre la placa de cocción. No almacene objetos sobre la placa de cocción.
- No almacene ni utilice productos químicos corrosivos, vapores, materiales inflamables ni productos no alimenticios debajo de este electrodoméstico ni cerca de él.
- Las grasas o aceites sobrecalentados se inflaman fácilmente. No se ausente mientras caliente grasa o aceite. Si se inflaman, no apague el fuego con agua. Cubra el recipiente con una tapa para sofocar el fuego y desconecte la zona de cocción.

¡Peligro de lesiones!

- Los recipientes que presenten daños, tengan un tamaño inadecuado, rebasen los bordes de la placa de cocción o estén mal situados pueden provocar lesiones graves. Observe los consejos y advertencias relativos a los recipientes de cocinado.
- En caso de avería, corte la alimentación eléctrica y de gas del aparato. Para la reparación, llame a nuestro servicio técnico.
- No manipule el interior del aparato. Si fuera necesario, llame a nuestro servicio técnico.
- Si alguno de los mandos no se puede girar, no lo fuerce. Llame inmediatamente al servicio técnico para que proceda a su reparación o sustitución.

¡Peligro de descarga eléctrica!

- No utilice máquinas de limpieza a vapor para limpiar el aparato.
- Las fisuras o roturas en el cristal conllevan riesgo de electrocución. Desconecte el fusible de la caja de fusibles. Avise al servicio de asistencia técnica.

Su nuevo aparato

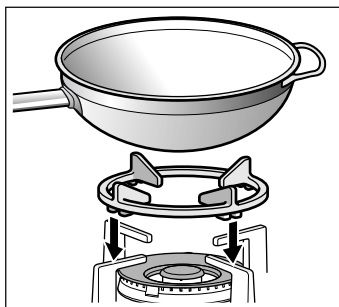
En la página 2 encontrará una vista general de su aparato así como la potencia de los quemadores.

Accesorios

Los siguientes accesorios se pueden adquirir en el Servicio Técnico:

Perfil de unión

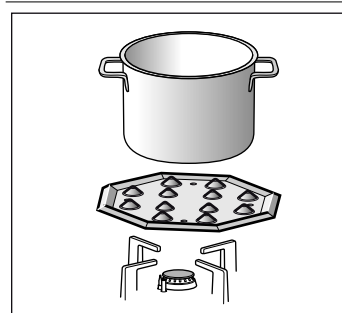
Para combinar los aparatos entre sí y/o con placas de cocción convencionales de la misma marca.



Parrilla supletoria wok

Para utilizar exclusivamente en quemadores wok de doble y triple llama con recipientes de diámetro mayor de 26 cm, planchas de asado, cazuelas de barro, paelleras, recipientes de base cóncava, etc.

Se recomienda utilizar la parrilla supletoria wok para prolongar la vida útil del aparato.



Simmer Plate

Este accesorio ha sido diseñado para reducir el nivel de calor en la potencia mínima.

Colocar el accesorio directamente sobre la parrilla con los volcanes hacia arriba, nunca directamente sobre el quemador. Colocar el recipiente centrado sobre el accesorio.

Código

HEZ394301 Perfil de unión

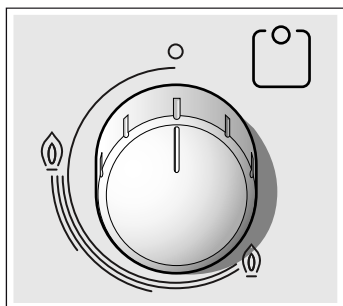
HEZ298127 Parrilla supletoria wok

HEZ298105 Simmer Plate

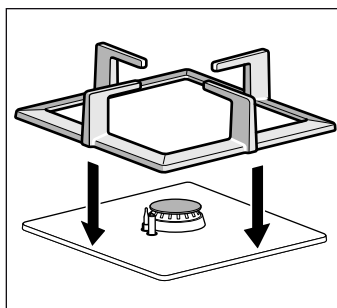
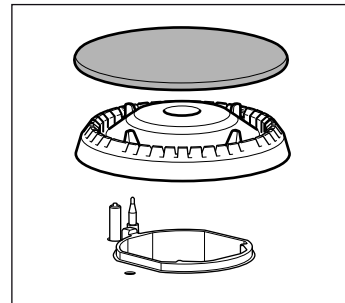
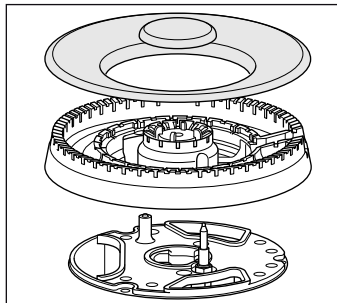
El fabricante no asume responsabilidad si no se utilizan o se utilizan incorrectamente estos accesorios.

Quemadores de gas

Cada mando de accionamiento tiene señalado el quemador que controla.



Para un correcto funcionamiento del aparato es imprescindible asegurarse de que las parrillas y todas las piezas de los quemadores estén bien colocadas. No intercambie las tapas de los quemadores.



Encendido manual

1. Presione el mando del quemador elegido y gírelo hacia la izquierda hasta la posición deseada.
2. Acerque algún tipo de encendedor o llama (mecheros, cerillas, etc.) al quemador.

Encendido automático

Si su placa de cocción dispone de encendido automático (bujías):

1. Presione el mando del quemador elegido y gírelo hacia la izquierda hasta la posición de máxima potencia. Mientras el mando está presionado se producen chispas en todos los quemadores. La llama se enciende.
2. Deje de presionar el mando.
3. Gire el mando a la posición deseada.

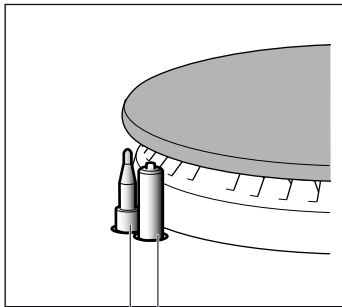
Si no se produce el encendido, gire el mando a la posición de apagado y repita los pasos. Esta vez mantenga el mando presionado durante más tiempo (hasta 10 segundos).

⚠ ¡Peligro de deflagración!

Si transcurridos 15 segundos la llama no se enciende, apague el quemador y abra la puerta o ventana del recinto. Espere al menos un minuto antes de intentar encender el quemador.

Sistema de seguridad

Según modelo, su placa de cocción puede disponer de un sistema de seguridad (termopar), que impide el paso de gas si los quemadores se apagan accidentalmente.



termopar | bujía

Para garantizar que este dispositivo esté activo:

1. Encienda el quemador con normalidad.
2. Sin soltar el mando, manténgalo presionado firmemente durante 4 segundos tras haberse encendido la llama.

Apagar un quemador

Gire el mando correspondiente hacia la derecha hasta la posición 0.

Niveles de potencia

Los mandos progresivos le permiten regular la potencia que necesite entre los niveles máximo y mínimo.

Posición	○	Mando cerrado
Llama grande	⊕	Apertura o capacidad máximas y encendido eléctrico
Llama pequeña	⊖	Apertura o capacidad mínima

Advertencias

Durante el funcionamiento del quemador es normal que se escuche un leve silbido.

En los primeros usos es normal que se desprendan olores. Esto no supone ningún riesgo ni mal funcionamiento. Irán desapareciendo.

Una llama de color naranja es normal. Se debe a la presencia de polvo en el ambiente, líquidos derramados, etc.

En el caso de una extinción accidental de las llamas del quemador, cierre el mando de accionamiento del quemador y no intente reencenderlo durante por lo menos 1 minuto.

Unos segundos después del apagado del quemador se producirá un sonido (golpe seco). No es ninguna anomalía, eso significa que la seguridad se ha desactivado.

Mantenga la máxima limpieza. Si las bujías están sucias el encendido será defectuoso. Límpielas periódicamente con un cepillo no metálico pequeño. Tenga en cuenta que las bujías no deben sufrir impactos violentos.

Consejos de cocinado

Quemador	Muy fuerte - Fuerte	Medio	Lento
Quemador wok	Hervir, cocer, asar, dorar, paellas, comida asiática (wok)	Recalentar y mantener calientes: platos preparados, platos cocinados	
Quemador rápido	Escalope, bistec, tortilla, frituras	Arroz, bechamel, ragout	Cocción al vapor: pescado, verduras
Quemador semi-rápido	Patatas al vapor, verduras frescas, potajes, pastas	Recalentar y mantener calientes platos cocinados y hacer guisos delicados	

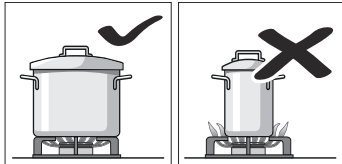
Recipientes de cocinado

Recipientes apropiados

Quegador	Diámetro mínimo del recipiente	Diámetro máximo del recipiente
Quegador wok	22 cm	
Quegador rápido	22 cm	26 cm
Quegador semi-rápido	14 cm	20 cm

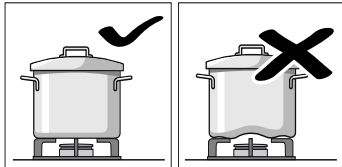
Advertencias de uso

Los siguientes consejos le ayudarán a ahorrar energía y a evitar daños en los recipientes:



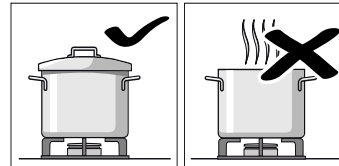
Utilice recipientes de tamaño apropiado a cada quemador.

No utilice recipientes pequeños en quemadores grandes. La llama no debe tocar los laterales del recipiente.

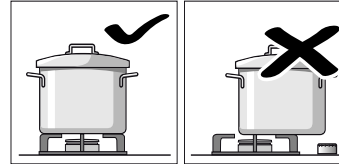


No utilice recipientes deformados que se muestren inestables sobre la placa de cocción. Los recipientes podrían volcar.

Utilice solo recipientes de base plana y gruesa.

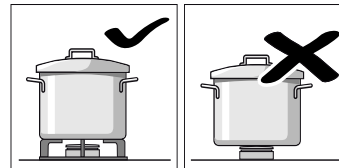


No cocine sin tapa o con esta desplazada. Se desperdicia parte de la energía.



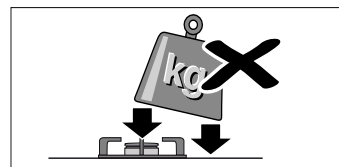
Coloque el recipiente bien centrado sobre el quemador. En caso contrario podría volcar.

No coloque los recipientes grandes en los quemadores cercanos a los mandos. Estos pueden resultar dañados debido al exceso de temperatura.



Coloque los recipientes sobre las parrillas, nunca directamente sobre el quemador.

Asegúrese de que las parrillas y tapas de los quemadores estén bien colocadas antes de su uso.



Maneje los recipientes con cuidado sobre la placa de cocción.

No golpee la placa de cocción ni coloque sobre ella pesos excesivos.

Limpieza y mantenimiento

Limpieza

Una vez frío el aparato, límpielo con una esponja, agua y jabón.

Después de cada uso, limpie la superficie de los respectivos elementos del quemador una vez que se haya enfriado. Si se dejan restos (alimentos recocidos, gotas de grasa, etc.), por poco que sea, se incrustarán en la superficie y serán luego más difíciles de eliminar. Es necesario que los agujeros y ranuras estén limpios para que la llama sea correcta.

El movimiento de algunos recipientes puede dejar restos metálicos sobre las parrillas.

Limpie los quemadores y las parrillas con agua jabonosa y frótelos con un cepillo no metálico.

Seque completamente los quemadores y las parrillas siempre. La presencia de gotas de agua o zonas húmedas al comienzo de la cocción puede deteriorar el esmalte.

Después de la limpieza y secado de los quemadores, asegúrese de que las tapas estén bien colocadas sobre el difusor.

¡Atención!

- No utilice máquinas de limpieza a vapor. Podría dañar la placa de cocción.
- No utilice nunca productos abrasivos, estropajos de acero, objetos cortantes, cuchillos, etc. para quitar restos de comida endurecidos de la placa de cocción.
- No utilice cuchillos, rasquetas o similar para limpiar la unión del cristal con los embellecedores de los quemadores, perfiles metálicos ni en los paneles de cristal o aluminio si hubiere.

Mantenimiento

Limpie al instante los líquidos que se derramen. Así evitará que los restos de comida se peguen y se ahorrará esfuerzos innecesarios.

No deslice sobre el vidrio los recipientes, ya que puede rayarlo. Asimismo evite caídas de objetos duros o puntiagudos sobre el cristal. No golpee la placa de cocción por ninguno de sus cantos.

Los granos de arena (procedentes, por ejemplo, de la limpieza de verduras y hortalizas) rayan la superficie del cristal.

El azúcar fundido o los alimentos con elevado contenido de azúcar que se hubieran derramado deberán eliminarse inmediatamente de la zona de cocción con ayuda de la rasqueta para vidrio.

Solucionar anomalías

En ocasiones, las anomalías detectadas se pueden solucionar fácilmente. Antes de llamar al Servicio Técnico tenga en cuenta los siguientes consejos:

Anomalía	Posible causa	Solución
El funcionamiento eléctrico general está averiado.	Fusible defectuoso.	Comprobar en la caja general de fusibles si el fusible está averiado y cambiarlo.
	El automático o un diferencial ha saltado.	Comprobar en el cuadro general de mando si ha saltado el automático o un diferencial.
El encendido automático no funciona.	Pueden existir residuos de alimentos o de limpieza entre las bujías y los quemadores.	El espacio entre la bujía y el quemador debe estar limpio.
	Los quemadores están mojados.	Secar cuidadosamente las tapas del quemador.
	Las tapas del quemador están mal colocadas.	Comprobar que las tapas están bien colocadas.
	El aparato no está conectado a tierra, está mal conectado o la toma de tierra es defectuosa.	Póngase en contacto con el instalador eléctrico.
La llama del quemador no es uniforme.	Las piezas del quemador están mal colocadas.	Colocar correctamente las piezas sobre el quemador correspondiente.
	Las ranuras del quemador están sucias.	Limpiar las ranuras del quemador.
El flujo de gas no parece normal o no sale gas.	El paso de gas está cerrado por llaves intermedias.	Abrir las posibles llaves intermedias.
	Si el gas proviene de una bombona, comprobar que no está vacía.	Cambiar la bombona.
Hay olor a gas en la cocina.	Algún grifo está abierto.	Cerrar los grifos.
	Mal acoplamiento de la bombona.	Comprobar que el acoplamiento es perfecto.
	Posible fuga de gas.	Cerrar la llave general de gas, ventilar el recinto y avisar inmediatamente a un técnico de instalación autorizado para la revisión y certificación de la instalación. No utilizar el aparato hasta asegurarse de que no existe ninguna fuga de gas en la instalación o el aparato.
El quemador se apaga inmediatamente después de soltar el mando.	No ha mantenido el mando presionado el tiempo suficiente.	Una vez encendido el quemador, mantener el mando presionado unos segundos más.
	Las ranuras del quemador están sucias.	Limpiar las ranuras del quemador.

Servicio de asistencia técnica

Si se solicita nuestro Servicio Técnico, se debe facilitar el número de producto (E-Nr.) y el número de fabricación (FD) del aparato. Esta información figura en la placa de características, situada en la parte inferior de la placa de cocción, y en la etiqueta del manual de uso.

Las señas de las delegaciones internacionales figuran en la lista adjunta de centros y delegaciones del Servicio de Asistencia Técnica Oficial.

Solicitud de reparación y asesoramiento en caso de averías

E 902 245 255

Confíe en la profesionalidad de su distribuidor. De este modo se garantiza que la reparación sea realizada por personal técnico especializado y debidamente instruido que, además, dispone de los repuestos originales del fabricante para su aparato doméstico.


Condiciones de garantía

Si, contrariamente a nuestras expectativas, el aparato presentara algún daño o no cumpliera con sus exigencias de calidad previstas, le rogamos nos lo haga saber lo antes posible. Para que la garantía tenga validez, el aparato no deberá haber sido manipulado, ni sometido a un mal uso.

Las condiciones de garantía aplicables son las establecidas por la representación de nuestra empresa en el país donde se haya efectuado la compra. Puede solicitarse información detallada en los puntos de venta. Es necesario presentar el justificante de compra para hacer uso de la garantía.

Reservado el derecho de modificaciones.

Embalaje y aparatos usados

Si en la placa de características del aparato aparece el símbolo , tenga en cuenta las siguientes indicaciones:

Eliminación de residuos respetuosa con el medio ambiente

Eliminar el embalaje de forma ecológica.



Este aparato está marcado con la Directiva europea 2012/19/CE relativa al uso de aparatos eléctricos y electrónicos (Residuos de aparatos eléctricos y electrónicos).

La directiva proporciona el marco general válido en todo el ámbito de la Unión Europea para la retirada y la reutilización de los residuos de los aparatos eléctricos y electrónicos.

El embalaje de su aparato se ha fabricado con los materiales estrictamente necesarios para garantizar una protección eficaz durante el transporte. Estos materiales son totalmente reciclables, reduciendo así el impacto medioambiental. Le invitamos a contribuir también en la conservación del medio ambiente, siguiendo los siguientes consejos:

- deposite el embalaje en el contenedor de reciclaje adecuado,
- antes de deshacerse de un aparato desechado, inutilícelo. Consulte en su administración local la dirección del centro recolector de materiales reciclables más próximo y entregue allí su aparato,
- no tire el aceite usado por el fregadero. Guárdelo en un recipiente cerrado y entréguelo en un punto de recogida o, en su defecto, en un contenedor de basura (acabará en un vertedero controlado; probablemente no es la mejor solución, pero evitamos la contaminación del agua).

Consignes de sécurité	17
Votre nouvel appareil	19
Accessoires	19
Brûleurs à gaz	19
Allumage manuel.....	20
Allumage automatique.....	20
Système de sécurité.....	20
Éteindre un brûleur.....	20
Niveaux de chauffe.....	20
Avertissements.....	20
Conseils pour cuisiner.....	20
Récipients de préparation	21
Récipients appropriés.....	21
Conseils d'utilisation.....	21

Nettoyage et entretien	21
Nettoyage.....	21
Maintenance.....	21
Résoudre des anomalies	22
Service Technique	22
Conditions de garantie	22
Emballage et appareils usagés	23
Élimination écologique.....	23

Vous trouverez des informations supplémentaires concernant les produits, accessoires, pièces de rechange et services sur Internet sous : **www.bosch-home.com** et la boutique en ligne : **www.bosch-eshop.com**

Consignes de sécurité

Lisez attentivement ces instructions. Ce n'est qu'à cette condition que vous pourrez utiliser votre appareil efficacement et en toute sécurité. Conservez la notice d'utilisation et d'installation, et remettez-la avec l'appareil si celui-ci change de propriétaire.

Le fabricant est exempt de toute responsabilité si les instructions de cette notice ne sont pas respectées.

Les images de cette notice sont proposées à titre indicatif.

Ne retirez l'appareil de son emballage protecteur qu'au moment de son encastrement. Si vous constatez des dommages sur l'appareil, ne le branchez pas. Contactez notre Service Technique.

Cet appareil correspond à la classe 3, selon la norme EN 30-1-1 pour les appareils à gaz : appareil encastré dans un meuble.

Assurez-vous que l'installation de votre plaque de cuisson est réalisée dans le respect de la notice de montage.

Cet appareil ne peut pas être installé dans des yachts ou des caravanes.

Cet appareil doit être utilisé uniquement dans des endroits suffisamment ventilés.

Cet appareil n'est pas conçu pour un fonctionnement avec une minuterie externe ou une commande à distance.

Tous les travaux d'installation, de branchement, de réglage et d'adaptation à un autre type de gaz doivent être réalisés

par un technicien agréé qui doit respecter les normes et la législation applicables, ainsi que les prescriptions des sociétés locales de distribution d'électricité et de gaz. Les dispositions applicables quant à la ventilation seront attentivement respectées.

En sortie d'usine, cet appareil est adapté au type de gaz indiqué sur la plaque signalétique. S'il était nécessaire de le changer, veuillez consulter la notice de montage. Il est recommandé de faire appel à notre service technique pour l'adaptation à un autre type de gaz.

Cet appareil a été conçu pour une utilisation domestique ; son utilisation à titre commercial ou professionnel est interdite. N'utilisez l'appareil que pour cuisiner, jamais comme chauffage. La garantie ne sera valable que si l'utilisation pour laquelle il a été conçu a été respectée.

Ne laissez pas l'appareil sans surveillance pendant son fonctionnement.

N'utilisez pas de couvercles ou de barrières de protection pour enfants non recommandés par le fabricant de la plaque de cuisson. Ils peuvent provoquer des accidents, notamment en raison de la surchauffe, de la combustion ou du décollement de fragments de matériaux.

Cet appareil peut être utilisée par des enfants âgés de plus de 8 ans et par des personnes ayant des capacités physiques, sensorielles ou mentales restreintes ou ayant un manque d'expérience ou de

connaissances, s'ils sont surveillés ou si une personne les a instruits de la manipulation de l'appareil en toute sécurité et s'ils ont compris les dangers qui en résultent.

Les enfants ne doivent pas jouer avec l'appareil. Le nettoyage et l'entretien incombant à l'utilisateur ne doivent pas être effectués par des enfants sans surveillance.

Risque de déflagration !

L'accumulation de gaz non brûlés dans un lieu fermé pourrait comporter un risque de déflagration. Ne placez pas l'appareil dans des courants d'air. Les brûleurs pourraient s'éteindre. Lisez attentivement les instructions et les avertissements concernant le fonctionnement des brûleurs à gaz.

Risque d'intoxication !

L'utilisation d'un appareil de cuisson à gaz produit de la chaleur, de l'humidité et émet des produits de combustion dans la pièce où il est installé. Assurez-vous que la cuisine soit bien ventilée, en particulier lorsque la plaque de cuisson est en fonctionnement: laissez les orifices de ventilation naturelle ouverts ou installez un dispositif de ventilation mécanique (hotte aspirante). Lorsque l'utilisation de l'appareil est intense et prolongée, une ventilation complémentaire ou plus efficace peut être nécessaire: ouvrez une fenêtre ou augmentez la puissance de la ventilation mécanique.

Risque de brûlures !

Les zones de cuisson et les zones adjacentes chauffent fortement. Ne touchez pas les surfaces chaudes. Ne laissez pas les enfants de moins de 8 ans s'approcher.

Risque d'incendie !

- Les zones de cuisson chauffent fortement. Ne posez pas d'objets inflammables sur la plaque de cuisson. N'entrez pas d'objets sur la plaque de cuisson.
- Ne stockez ni n'utilisez de produits chimiques corrosifs, de vapeurs, de matériels inflammables ni de produits non alimentaires sous cet appareil, ni à proximité.

- Les graisses et les huiles surchauffées s'enflamment facilement. Ne vous absentez pas si vous avez mis de la graisse ou de l'huile à chauffer. Si elles s'enflamment, n'éteignez pas le feu avec de l'eau. Couvrez le récipient avec un couvercle hermétique pour étouffer le feu puis éteignez la zone de cuisson.

Risque de blessures !

- Les récipients qui présenteraient des dommages, dont la taille ne serait pas adaptée, qui dépasseraient de la plaque de cuisson ou qui seraient mal placés, pourraient occasionner des lésions graves. Respectez les conseils et les avertissements concernant les récipients de cuisson.
- En cas d'incident, débranchez l'alimentation électrique et de gaz de l'appareil. Pour la réparation, contactez notre service technique.
- Ne manipulez pas l'intérieur de l'appareil. Si nécessaire, contactez notre service technique.
- Si l'un des boutons de commande est bloqué, ne forcez pas. Appelez immédiatement le service technique pour procéder à sa réparation ou à son remplacement.

Risque de décharge électrique !

- Ne pas utiliser de machines de nettoyage à vapeur pour nettoyer l'appareil.
- Les fissures ou ruptures du verre comportent un risque d'électrocution. Déconnectez le fusible de la boîte à fusibles. Prévenez le service technique.

Votre nouvel appareil

À la page 2 se trouve une vue générale de l'appareil, ainsi que la puissance des brûleurs.

Accessoires

Vous pourrez obtenir les accessoires suivants auprès de notre Service Technique :

Profilé de jonction

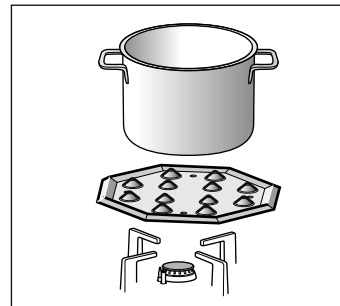
Pour assembler des appareils entre eux et/ou avec des plaques de cuisson traditionnelles de la même marque.



Grille supplémentaire wok

À utiliser exclusivement sur des brûleurs wok double et triple flamme avec des récipients ayant un diamètre supérieur à 26 cm, grils, casseroles en terre, poêles à paella, récipients à base concave, etc.

Il est recommandé d'utiliser la grille supplémentaire wok pour prolonger la vie utile de l'appareil.



Simmer Plate

Cet accessoire est prévu pour réduire le niveau de chaleur à la puissance minimum.

Placer l'accessoire directement sur la grille avec les rebords orientés vers le haut, jamais en contact direct avec le brûleur. Placer le récipient au centre sur l'accessoire.

Code

HEZ394301 Profilé de jonction

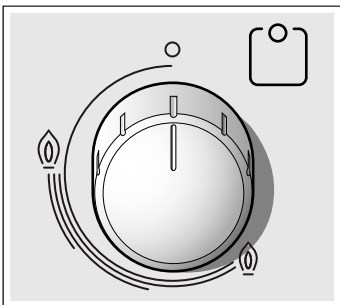
HEZ298127 Grille supplémentaire wok

HEZ298105 Simmer Plate

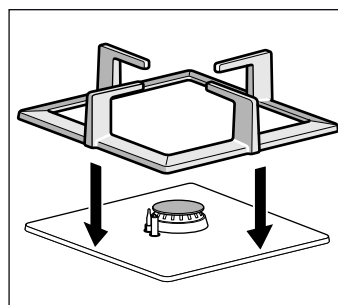
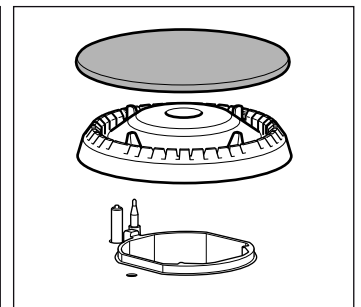
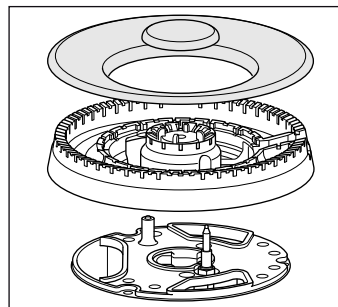
Le fabricant décline toute responsabilité si ces accessoires ne sont pas utilisés ou sont employés de manière incorrecte.

Brûleurs à gaz

Chaque bouton de commande de mise en marche indique le brûleur qu'il contrôle.



Pour un fonctionnement correct de l'appareil, il est indispensable de s'assurer que les grilles et toutes les pièces des brûleurs sont correctement mises en place. N'intervertissez pas les couvercles des brûleurs.



Allumage manuel

1. Appuyez sur le bouton de commande du brûleur choisi et tournez-le vers la gauche jusqu'à la position souhaitée.
2. Approchez un allume-gaz ou une flamme (briquets, allumettes, etc.) du brûleur.

Allumage automatique

Si votre plaque de cuisson dispose d'un allumage automatique (bougies):

1. Appuyez sur le bouton de commande du brûleur choisi puis tournez-le vers la gauche jusqu'à la position de puissance maximum.
Quand le bouton de commande est enfoncé, des étincelles se produisent sur tous les brûleurs. La flamme s'allume.
2. Relâchez le bouton de commande.
3. Tournez le bouton de commande sur la position souhaitée.

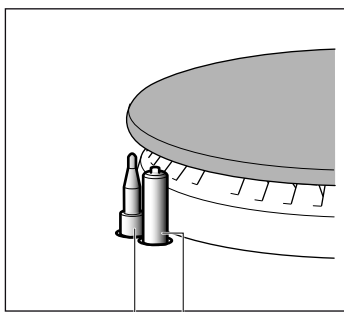
Si l'allumage ne se produit pas, tournez le bouton de commande sur la position de déconnexion puis répétez les étapes. Cette fois, maintenez le bouton de commande enfoncé plus longtemps (pendant 10 secondes maximum).

Risque de déflagration !

Si au bout de 15 secondes la flamme ne s'est pas allumée, éteignez le brûleur et aérez la pièce. Attendez au moins une minute avant d'essayer de rallumer le brûleur.

Système de sécurité

Selon le modèle, votre plaque de cuisson peut disposer d'un système de sécurité (thermocouple) qui bloque l'arrivée du gaz si les brûleurs s'éteignent accidentellement.



thermocouple bougie

Pour que cet dispositif soit actif :




1. Allumez le brûleur normalement.
2. Maintenez le bouton de commande enfoncé sans le lâcher pendant 4 secondes après l'allumage de la flamme.

Éteindre un brûleur

Tournez le bouton de commande correspondant vers la droite jusqu'à la position 0.

Niveaux de chauffe

Les variateurs vous permettent de régler la puissance dont vous avez besoin entre les niveaux maximum et minimum.

Position		Bouton de commande éteint
Flamme grande		Ouverture ou capacité maximums et connexion électrique
Flamme petite		Ouverture ou capacité minimums

Avertissements

Pendant le fonctionnement du brûleur, il est normal d'entendre un léger sifflement.

Lors des premières utilisations, il est normal que des odeurs se dégagent. Mais cela ne suppose aucun dysfonctionnement. Ces odeurs disparaîtront petit à petit.

Une flamme de couleur orange est normale. Ceci est dû à la présence de poussière dans l'atmosphère, de liquides déversés, etc.

S'il se produit une extinction accidentelle des flammes du brûleur, éteignez le bouton de commande du brûleur et attendez au moins 1 minute avant de le rallumer.

Quelques secondes après avoir éteint le brûleur, un son est émis (coup sec). Il ne s'agit pas d'une anomalie, ceci signifie que la sécurité a été désactivée.

Conservez le brûleur le plus propre possible. Si les bougies sont sales, l'allumage sera défectueux. Nettoyez-les régulièrement avec une petite brosse non métallique. Attention, à ne pas cogner violemment les bougies.

Conseils pour cuisiner

Brûleur	Très fort - Fort	Moyen	Lent
Brûleur wok	Bouillir, cuire, rôtir, dorer, paelas, cuisine asiatique (Wok)	Réchauffer et garder au chaud : plats préparés, plats cuisinés	
Brûleur rapide	Escalope, steak, omelette, fritures	Riz, béchamel, ragoût	Cuisson à la vapeur : poisson, légumes
Brûleur semi-rapide	Pommes de terre vapeur, légumes frais, potages, pâtes	Réchauffer/garder au chaud des plats cuisinés et préparer des ragoûts délicats	

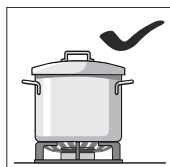
Récipients de préparation

Récipients appropriés

Brûleur	Diamètre minimum du récipient	Diamètre maximum du récipient
Brûleur wok	22 cm	
Brûleur rapide	22 cm	26 cm
Brûleur semi-rapide	14 cm	20 cm

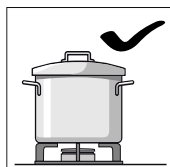
Conseils d'utilisation

Les conseils suivants vous aideront à économiser de l'énergie et à éviter d'endommager les récipients :



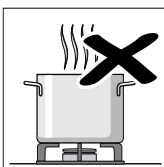
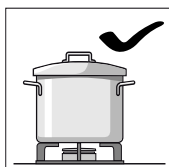
Utilisez des récipients de la taille appropriée à chaque brûleur.

N'utilisez pas de petits récipients sur les grands brûleurs. La flamme ne doit pas toucher les côtés du récipient.

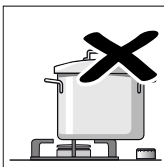
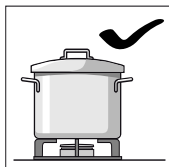


N'utilisez pas de récipients déformés, ayant tendance à être instables sur la plaque de cuisson. Les récipients pourraient se renverser.

N'utilisez que des récipients à base plane et épaisse.

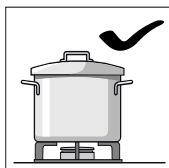


Ne cuisinez pas sans couvercle ni avec celui-ci mal mis. Vous risqueriez ainsi de perdre une partie de l'énergie.



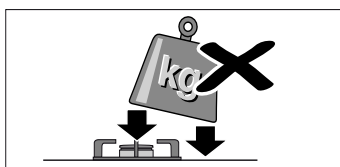
Placez le récipient bien au centre du brûleur. Dans le cas contraire, il risque de se renverser.

Ne placez pas les récipients de grande taille sur les brûleurs situés près du boutons de commandes. Ils risqueraient d'être endommagés en raison de l'excès de chaleur.



Placez les récipients sur les grilles, jamais directement sur le brûleur.

Vérifiez que les grilles et les couvercles des brûleurs sont bien placés avant de les utiliser.



Manipulez soigneusement les récipients sur la plaque de cuisson.

Ne cognez pas la plaque de cuisson et n'y posez pas d'objets lourds.

Nettoyage et entretien

Nettoyage

Quand l'appareil a refroidi, nettoyez-le avec une éponge, de l'eau et du savon.

Après chaque utilisation, nettoyez la surface des différents éléments du brûleur quand il a refroidi. Si des restes sont laissés (aliments recuits, gouttes de graisse, etc.), même infimes, ils s'incrusteront dans la surface et seront plus difficiles à éliminer par la suite. Les trous et les rainures doivent être propres afin que la flamme soit optimale.

Le frottement de certains récipients peut laisser des traces métalliques sur les grilles.

Lavez les brûleurs et les grilles à l'eau savonneuse et frottez-les à l'aide d'une brosse non métallique.

Séchez toujours complètement les brûleurs et les grilles. La présence de gouttes d'eau ou de zones humides au début de la cuisson peut détériorer l'émail.

Après le nettoyage et le séchage des brûleurs, assurez-vous que les couvercles sont bien placés sur le diffuseur.

Attention !

- N'utilisez pas de machines de nettoyage à vapeur. Cela pourrait endommager la plaque de cuisson.
- N'utilisez jamais de produits abrasifs, lavettes en acier, objets tranchants, couteaux, etc., pour retirer les restes d'aliments ayant durci sur la plaque de cuisson.
- N'utilisez pas de couteaux, de racloirs ou d'objets similaires pour nettoyer l'union entre le verre et les caches des brûleurs, les profilés métalliques ni sur les panneaux en verre ou aluminium, le cas échéant.

Maintenance

Nettoyez immédiatement tous les liquides qui coulent. Vous éviterez ainsi que les restes d'aliment ne collent et économiserez des efforts inutiles.

Ne faites pas glisser les récipients sur le verre car ils pourraient le rayer. De plus, évitez les chutes d'objets durs ou pointus sur la plaque en verre. Ne frappez la plaque de cuisson sur aucun de ses angles.

Les grains de sable (provenant par exemple du nettoyage des légumes) rayent la surface du verre.

Le sucre fondu ou des aliments à teneur élevée en sucre ayant débordés doivent être immédiatement retirés de la zone de cuisson à l'aide d'un racleur en verre.

Résoudre des anomalies

Parfois, les anomalies détectées peuvent être facilement résolues. Avant de contacter le Service Technique, prenez en considération les conseils suivants :

Anomalie	Cause probable	Solution
Le fonctionnement électrique général est en panne.	Fusible défectueux.	Vérifiez dans le boîtier de fusibles général si le fusible est en panne et remplacez-le.
	L'interrupteur magnétothermique ou un interrupteur différentiel a sauté.	Vérifiez dans le tableau de distribution électrique si l'interrupteur magnétothermique ou un interrupteur différentiel a sauté.
L'allumage automatique ne fonctionne pas.	Il peut y avoir des résidus d'aliments ou de nettoyage entre les bougies et les brûleurs.	L'espace entre la bougie et le brûleur doit être propre.
	Les brûleurs sont mouillés.	Séchez soigneusement les couvercles du brûleur.
	Les couvercles du brûleur sont mal placés.	Vérifiez que les couvercles sont bien placés.
	L'appareil n'est pas raccordé à la terre, est mal raccordé à la terre, ou la prise de terre est défectueuse.	Contactez votre installateur électrique.
La flamme du brûleur n'est pas uniforme.	Les pièces du brûleur sont mal placées.	Placez correctement les pièces sur le brûleur correspondant.
	Les rainures du brûleur sont sales.	Nettoyez les rainures du brûleur.
Le flux de gaz ne paraît pas normal ou aucun gaz ne sort.	Le passage de gaz est obstrué par des robinets intermédiaires.	Ouvrez les robinets intermédiaires éventuels.
	Si le gaz provient d'une bouteille, vérifiez qu'elle n'est pas vide.	Changez la bouteille.
Il y a une odeur de gaz dans la cuisine.	Un robinet est ouvert.	Fermez les robinets.
	Mauvais raccord de la bouteille.	Vérifiez que le raccord est parfait.
	Fuite de gaz éventuelle.	Fermez l'arrivée générale du gaz, aérez l'enceinte et prévenez immédiatement un technicien d'installation agréé afin qu'il vérifie et qu'il atteste du bon fonctionnement de l'installation. N'utilisez pas l'appareil jusqu'à ce que l'absence de fuite de gaz dans l'installation ou l'appareil ait été vérifiée.
Le brûleur s'éteint immédiatement après avoir relâché le bouton de commande.	Vous n'avez pas maintenu le bouton de commande enfoncé suffisamment longtemps.	Une fois le brûleur allumé, maintenez le bouton de commande enfoncé quelques secondes de plus.
	Les rainures du brûleur sont sales.	Nettoyez les rainures du brûleur.

Service Technique

Si vous faites appel à notre Service Technique, vous devez communiquer le numéro de produit (E-Nr.) ainsi que le numéro de fabrication (FD) de l'appareil. Cette information figure sur la plaque signalétique située sur la partie inférieure de la plaque de cuisson, et sur l'étiquette de la notice d'utilisation.

Vous trouverez les données de contact pour tous les pays dans l'annuaire ci-joint du service après-vente.

Commande de réparation et conseils en cas de dérangements

B 070 222 141
FR 01 40 10 11 00
CH 0848 840 040

Faites confiance à la compétence du fabricant. Vous garantissez ainsi que la réparation sera effectuée par des techniciens de SAV formés qui disposent des pièces de rechange d'origine adaptées à votre appareil.


Conditions de garantie

Si, contrairement à nos attentes, l'appareil présente un dommage ou ne respecte pas les exigences de qualité prévues, veuillez nous l'indiquer dans les plus brefs délais. Pour que la garantie soit valide, l'appareil ne devra pas avoir été manipulé, ni soumis à une mauvaise utilisation.

Les conditions de garantie applicables sont celles établies par la représentation de notre entreprise dans le pays où l'achat a été effectué. Il est possible d'obtenir des informations détaillées dans les points de vente. Il est nécessaire de présenter le bon d'achat pour bénéficier de la garantie.

Tout droit de modification réservé.

Emballage et appareils usagés

Si la plaque signalétique de l'appareil contient le symbole , tenez compte des instructions suivantes.

Élimination écologique

Éliminez l'emballage en respectant l'environnement.



Cet appareil est marqué selon la directive européenne 2012/19/UE relative aux appareils électriques et électroniques usagés (waste electrical and electronic equipment - WEEE).

La directive définit le cadre pour une reprise et une récupération des appareils usagés applicables dans les pays de la CE.

L'emballage de votre appareil a été fabriqué avec les matériaux indispensables pour garantir une protection efficace pendant le transport. Ces matériaux sont entièrement recyclables, ce qui réduit l'impact sur l'environnement. Nous vous encourageons à contribuer également à la préservation de l'environnement, en suivant les conseils ci-dessous :

- déposez l'emballage dans une benne de recyclage adaptée,
- avant de vous défaire d'un appareil, mettez-le hors d'état. Consultez votre administration locale pour connaître l'adresse du centre de collecte de matériels recyclables le plus près de chez vous, et apportez-le à ce site,
- ne jetez pas l'huile usagée dans l'évier. Conservez-la dans un récipient fermé et remettez-le à un point de collecte ou, le cas échéant, dans un bac approprié (qui sera remis à un déversoir contrôlé ; ce n'est probablement pas la meilleure solution, mais nous évitons ainsi de polluer l'eau).



Robert Bosch Hausgeräte GmbH

Carl-Wery-Straße 34

81739 München

Germany

www.bosch-home.com



9000777566