



Register your new Bosch now:
www.bosch-home.com/welcome



KDN74..



BOSCH

en Operating and installation instructions
fr Notices d'utilisation et de montage
it Istruzioni per l'uso ed il montaggio
el Οδηγίες χρήσης και τοποθέτησης
tr Kullanma ve montaj kılavuzu

en Table of contents

| | | | |
|--------------------------------------|----|--|----|
| Safety and warning information | 5 | Freezer compartment | 14 |
| Directions for disposal | 7 | Max. freezing capacity | 14 |
| Scope of delivery | 7 | Freezing and storing | 14 |
| Installing the appliance | 8 | Freezing fresh food | 14 |
| Connecting the appliance | 9 | Defrosting frozen food | 15 |
| Attaching handles | 9 | Ice and water dispenser | 16 |
| Getting to know the appliance | 10 | Features | 16 |
| Switching on the appliance | 11 | Switching the appliance off and placing it out of operation | 17 |
| Setting the temperature | 11 | Cleaning the appliance | 17 |
| Supercool function | 12 | Lighting (LED) | 18 |
| Superfreeze function | 12 | Saving energy | 19 |
| Button lock | 12 | Operating noises | 19 |
| Alarm function | 13 | Rectifying minor faults yourself | 20 |
| Utilisable volume | 13 | After-sales service | 23 |
| Cooling compartment | 13 | | |

fr Table des matières

| | | | |
|--|----|---|----|
| Consignes de sécurité et avertissements | 24 | Compartiment congélateur | 34 |
| Consignes pour la mise au rebut | 26 | Capacité de congélation maximale .. | 34 |
| Étendue des fournitures | 27 | Congélation et rangement | 35 |
| Installation de l'appareil | 27 | Congélation de produits frais | 35 |
| Raccordement de l'appareil | 29 | Décongélation des produits | 36 |
| Montage des poignées | 29 | Distribution de glaçons et d'eau | 37 |
| Présentation de l'appareil | 30 | Équipement | 37 |
| Mise en service de l'appareil | 31 | Coupure et remisage de l'appareil ... | 38 |
| Réglage de la température | 31 | Nettoyage de l'appareil | 38 |
| Super-réfrigération | 32 | Éclairage (LED) | 39 |
| Super-décongélation | 32 | Économies d'énergie | 40 |
| Verrouillage des touches | 32 | Bruits de fonctionnement | 40 |
| Fonction d'alarme | 33 | Remédier soi-même aux petites pannes | 41 |
| Contenance utile | 33 | Service après-vente | 44 |
| Compartiment réfrigérateur | 34 | | |

it Indice

| | | | |
|--|----|---------------------------------------|----|
| Avvertenze di sicurezza e pericolo ... | 45 | Congelatore | 55 |
| Avvertenze per lo smaltimento | 47 | Capacità di congelamento max. | 55 |
| Fornitura | 48 | Congelamento e conservazione | 55 |
| Predisposizione dell'apparecchio | 48 | Congelamento di alimenti freschi | 55 |
| Allacciamento dell'apparecchio | 50 | Scongelamento dei cibi congelati ... | 56 |
| Montaggio maniglie | 50 | Dispenser del ghiaccio e dell'acqua | 57 |
| Imparare a conoscere l'apparecchio | 51 | Dotazione | 57 |
| Attivazione dell'apparecchio | 52 | Attivazione e disattivazione | |
| Impostazione della temperatura | 52 | dell'apparecchio | 58 |
| Raffreddamento super | 53 | Pulizia dell'apparecchio | 59 |
| Congelamento rapido | 53 | Illuminazione (LED) | 59 |
| Blocco dei tasti | 53 | Risparmio energetico | 60 |
| Funzione allarme | 54 | Rumori di funzionamento | 60 |
| Volume utile | 54 | Eliminazione di piccole anomalie | 61 |
| Frigorifero | 54 | Servizio di assistenza tecnica | 64 |

el Πίνακας περιεχομένων

| | | | |
|---|----|---|----|
| Υποδείξεις ασφαλείας και προειδοποιητικές υποδείξεις | 65 | Χώρος κατάψυξης | 75 |
| Υποδείξεις για την απόσυρση | 67 | Μέγιστη απόδοση κατάψυξης | 75 |
| Υλικά παράδοσης | 68 | Κατάψυξη και αποθήκευση | 76 |
| Τοποθέτηση της συσκευής | 68 | Κατάψυξη νωπών τροφίμων | 76 |
| Σύνδεση της συσκευής | 70 | Απόψυξη κατεψυγμένων τροφίμων ... | 77 |
| Συναρμολόγηση των λαβών | 70 | Παροχή πάγου και νερού | 77 |
| Γνωρίστε τη συσκευή | 71 | Εξοπλισμός | 78 |
| Ενεργοποίηση της συσκευής | 72 | Απενεργοποίηση και ακινητοποίηση της συσκευής | 79 |
| Ρύθμιση της θερμοκρασίας | 72 | Καθαρισμός της συσκευής | 79 |
| Υπέρψυξη | 73 | Φωτισμός (LED) | 80 |
| Υπερκατάψυξη | 73 | Εξοικονόμηση ενέργειας | 81 |
| Κλείδωμα των πλήκτρων | 74 | Θόρυβοι λειτουργίας | 81 |
| Λειτουργία συναγερμού | 74 | Αποκατάσταση μικρών βλαβών από σας τους ίδιους | 82 |
| Ωφέλιμη χωρητικότητα | 75 | Σέρβις πελατών | 85 |
| Χώρος ψύξης | 75 | | |

tr İçindekiler

| | | | |
|---|----|---|-----|
| Güvenlik bilgileri ve uyarılar | 86 | Dondurucu | 95 |
| Atıkların yok edilmesiyle ilgili uyarılar | 88 | Maks. dondurma kapasitesi | 95 |
| Paket içeriği | 88 | Dondurma ve saklama | 96 |
| Cihazın kurulması | 89 | Taze yiyeceklerin dondurulması | 96 |
| Cihazın bağlantısı | 90 | Dondurulmuş gıdanın çözülmesi | 97 |
| Tutamakların montajı | 90 | Buz ve su çıkışı | 97 |
| Cihazı tanımak | 91 | Donanım | 98 |
| Cihazı çalıştırmak | 92 | Cihazın kapatılması ve beklemeye alınması | 99 |
| Sıcaklığın ayarlanması | 92 | Cihazın temizlenmesi | 99 |
| Süper soğutma | 93 | Aydınlatma (LED) | 100 |
| Süper dondurma | 93 | Enerji tasarrufu | 100 |
| Tuş kilidi | 93 | Çalışma sesleri | 101 |
| Alarm fonksiyonu | 94 | Küçük arızaları kendi kendinize giderme | 101 |
| Kullanım kapasitesi | 94 | Müşteri hizmetleri | 104 |
| Soğutma bölmesi | 95 | | |

Safety and warning information

Before you put the appliance into operation

Carefully read through the instructions for use and assembly instructions. They contain important information on setting up, using and maintaining the appliance.

The manufacturer is not liable for any damage caused by failure to follow the guidance and warnings contained in the instructions for use. Retain all documents for later use or for subsequent owners.

Technical safety

The appliance contains a small quantity of the environmentally-friendly, though flammable, refrigerant R600a. Make sure that the pipes of the refrigerant circuit are not damaged during transport or installation. If refrigerant squirts out, it may cause eye injuries or ignite.

In the event of damage:

- Keep naked flames or sources of ignition away from the appliance,
- Ventilate the room well for a few minutes,
- Switch off the appliance and unplug it from the mains,
- Inform After-sales Service.

The more refrigerant an appliance contains, the larger the room must be in which it stands. If there is a leak and the room is too small, a flammable gas-air mixture may form.

The room must be at least 1 m³ in size for each 8 g of refrigerant. The quantity of refrigerant in your appliance is stated on the rating plate inside the appliance.

If the mains power lead of this appliance is damaged, it must be replaced by the manufacturer, After-sales Service or an equally qualified person. Incorrect installation or repairs may result in significant risks to the user.

Repairs may only be carried out by the manufacturer, After-sales Service or an equally qualified person.

Only genuine replacement parts from the manufacturer may be used. Only such parts are guaranteed by the manufacturer to meet the safety requirements.

Any mains power lead extension may only be obtained from After-sales Service.

During use

- Never use electrical appliances inside the appliance (e.g. heaters, electric ice-makers). Risk of explosion!
- Never defrost or clean the appliance with a steam-cleaning device. The steam may come into contact with electrical components and cause a short circuit. Risk of electric shock!
- Do not use pointed or sharp objects to remove layers of ice and frost! You could damage the refrigerant pipes. If refrigerant shoots out, it may ignite or cause eye injuries.
- Do not store products with flammable propellant gases (e.g. spray cans) or explosive substances inside the appliance. Risk of explosion!
- Do not use the base, rails, doors, etc. as a step or support.
- For defrosting and cleaning, unplug the appliance from the mains or switch off the circuit-breaker. When unplugging the mains plug, always take hold of the plug itself, never pull on the connecting lead.

- High-proof alcohol must always be tightly sealed and stored in an upright position.
- Do not contaminate plastic parts or door seals with oil or grease. Plastic parts and door seals will otherwise become porous.
- Never cover or block ventilation openings for the appliance.
- This appliance may only be used by persons (including children) with impaired physical, sensory, or mental abilities or insufficient knowledge of the appliance if they are supervised by a person responsible for their safety or have been instructed by such a person on how to use the appliance.
- Do not store liquids in bottles or tins in the freezer compartment (in particular carbonated drinks). Bottles and tins may burst.
- Never eat frozen foods immediately after they have been taken out of the freezer compartment.
Risk of freezer burn!
- Avoid prolonged hand contact with frozen foods, ice, and the evaporator tubes, etc.
Risk of freezer burn!

Avoiding risks to children and other at-risk persons

Persons at risk are:

- Children
- Persons whose powers of perception are physically or psychologically limited
- Persons who do not have sufficient knowledge about how to use the appliance safely.

Action required:

- Make sure that children and other at-risk persons have understood the dangers.
- A person responsible for safety must supervise or instruct children and other at-risk persons when they are using the appliance.
- Do not allow children under 8 years old to use the appliance.
- Supervise children when cleaning and servicing.
- Never let children play with the appliance.

General requirements

The appliance is suitable for the following tasks:

- chilling and freezing food,
- making ice cubes,
- dispensing drinking water.

This appliance is intended for use up to a maximum height of 2000 metres above sea level.

This appliance is intended for domestic use in private households and for a domestic environment.

The appliance is fitted with interference suppression in accordance with EU Directive 2004/108/EC.

The refrigeration circuit has been checked for leak tightness.

This product complies with the applicable safety requirements for electrical appliances (EN 60335-2-24).

Directions for disposal

Disposing of packaging

The packaging protects your appliance from damage during transport. All the materials used are environmentally friendly and can be recycled. Please help by disposing of the packaging in an environmentally-responsible manner.

You can obtain information about current disposal methods from your specialist dealer or local council.

Disposing of your old appliance

Old appliances are not useless waste. Valuable raw materials can be recovered through environmentally responsible disposal.



This appliance is marked in accordance with European directive 2012/19/EU regarding old electric and electronic appliances (waste electrical and electronic equipment - WEEE).

The directive provides a framework for the collection and recycling of old appliances, which is valid across the EU.

Warning

For worn-out appliances:

1. Unplug the mains plug.
2. Cut the power cord and remove it along with the mains plug.

3. Do not remove the shelves and containers. Leaving them intact makes it more difficult for children to climb in.
4. Never let children play with a disused appliance. Risk of asphyxiation!

Refrigerators contain refrigerant as well as gases in the insulation material. Refrigerant and gases must be disposed of properly. Do not damage the refrigerant circuit pipes before disposing of them properly.

Scope of delivery

After unpacking the appliance, check all parts for transport damage.

If you wish to make a complaint, please contact the dealer from whom you purchased the appliance or our after-sales service.

The scope of delivery includes the following parts:

- Free-standing appliance
- Features (vary depending on the model)
- Instructions for use and assembly instructions
- After-sales service booklet
- Guarantee slip
- Information on energy consumption and noises
- Bag of assembly materials

Installing the appliance

Location

The ideal installation location is a dry, well-ventilated room. The installation location should not be subject to direct sunlight or near a heat source, such as a cooker, heating element, etc. If setting up the appliance next to a heat source is unavoidable, use a suitable insulating plate or observe the following minimum distances from the heat source:

- 3 cm from an electric or gas cooker.
- 30 cm from oil or solid fuel cookers.

Appliances with fixed handles require a distance of at least 55 mm from the wall on the hinged side so that the door can be opened by 90°.

Note the room temperature and ventilation

Ambient temperature

The appliance is designed for a certain climate class. Depending on the climate class, the appliance can be operated at the following ambient temperatures.

The climate class is specified on the rating plate. Figure 12

| Climate class | Permissible ambient temperature |
|---------------|---------------------------------|
| SN | +10 °C to 32 °C |
| N | +16 °C to 32 °C |
| ST | +16 °C to 38 °C |
| T | +16 °C to 43 °C |

Note

The appliance can function within the ambient temperature limits of the specified climate class. If an appliance in the SN climate class is operated at lower ambient temperatures, damage to the appliance can be excluded up to a temperature of +5 °C.

Ventilation

Figure 3

The air on the appliance's back panel and side panels heats up. The heated air must be able to escape unimpeded. Otherwise, the refrigerating unit has to work harder, which increases the appliance's power consumption. Therefore: You must never cover or block the ventilation openings!

The minimum distance to all sides must be at least 5 cm.

Fitting spacers

Figure 4

Use the screws to attach the spacers provided to the relevant openings at the rear of the appliance. This will maintain the minimum distance from the wall, thus providing adequate ventilation.

If the appliance is standing at an angle, this may mean that the doors do not close correctly.

Levelling the appliance

Figure 5

To ensure that it functions properly, the appliance must be set level using a spirit level.

If the appliance is standing at an angle, this may mean that the doors do not close correctly.

1. Position the appliance in the intended installation area.
2. Screw the front feet out until they stand firmly on the ground and align the appliance at the front.
3. Use a spirit level to check that the appliance is horizontal.

Note

The front feet must stand firmly on the ground so that the appliance does not roll away.

Connecting the appliance

After setting up the appliance, wait for at least one hour before starting the appliance up. The oil contained in the compressor may have been displaced into the refrigeration system during transport.

Before starting the appliance up for the first time, clean its interior (see section "Cleaning the appliance").

Electrical connection

The socket must be near to the appliance and easily accessible after the appliance has been installed.

The appliance conforms to protection class I. Connect the appliance to a 220-240 V/50 Hz alternating current supply using a socket with protective earthing conductor which has been correctly installed. The socket must be protected by a fuse with a rating of 10 A to 16 A.

In the case of appliances operated outside of Europe, check whether the voltage and type of current specified conform to the values of your electricity grid. You will find this information on the rating plate. Figure 12

Warning

The appliance must never be connected up to an electronic energy-saving socket. Sinusoidal-commutated and line-commutated inverters can be used with our appliances. Line-commutated inverters are used with photovoltaic systems that are connected directly to the national grid. Sinusoidal-communicated inverters must be used with standalone applications (e.g. on ships or mountain huts) that do not have a direct connection to the national grid.

Attaching handles

Figure 6

Only attach the handles once the appliance has been positioned in its installation location and has been aligned so that it is level.

1. Push the holders into the guides.
2. Position and tighten the screws.
3. Push the handles onto the holders and slide them downwards. The "Top" sticker must be facing upwards.
4. Position and tighten the screw.

Getting to know the appliance



Fold out the last page that contains the figures. These instructions for use apply for several models.

The features of the models may vary.

Deviations between the figures are possible.

Figure 1

- 1 Lighting
- 2 Ice twister
- 3 Shelf in the freezer compartment
- 4 Light switch
- 5 Door shelf
- 6 Control element
- 7 Lighting
- 8 Shelves in the cooling compartment
- 9 Stay-fresh compartment
- 10 Fruit and vegetable container with deodoriser
- 11 Water dispenser
- 12 Water container
- 13 Door shelf for eggs, tubes and small tins
- 14 Door shelf for large bottles

Control element

Figure 2

- 1 **"freezer/super" button**
 - For setting the temperature in the freezer compartment
 - For switching the "superfreeze" function on and off.
- 2 **"lock" button**

For switching the button lock on and off.
- 3 **"alarm" button**

For switching off the warning tone
- 4 **"fridge/super" button**
 - For adjusting the temperature in the fridge compartment
 - For switching the "supercool" function on and off.
- 5 **Fridge compartment temperature display**

Displays the set temperature for the fridge compartment.
"super"
The "supercool" function is switched on.
"alarm"
The alarm function is active.
- 6 **Button lock**

"lock"
The button lock is switched on.
- 7 **Freezer compartment temperature display**

Displays the set temperature for the freezer compartment.
"super"
The "superfreeze" function is switched on.
"alarm"
The alarm function is active.

Switching on the appliance

The appliance starts to cool after it is connected to the power supply. The lighting is switched on when the door is opened.

An acoustic warning tone sounds. The "alarm" button can be used to switch off the audible warning signal.

The factory has recommended and set the following temperatures:

- Fridge compartment: +4 °C
- Freezer compartment: -18 °C.

Notes on using the appliance

- After switching on the appliance, it may be several hours before the set temperatures are reached.
- Thanks to the fully automatic no-frost system, the freezer compartment remains ice-free. There is no longer any need to defrost it.
- The front side of the housing is slightly heated. This prevents condensation from forming around the door seal.
- If the freezer compartment door cannot be opened again soon after being closed, wait for a moment until the negative pressure has cleared.

Setting the temperature

Figure 2

Cooling compartment

The temperature can be set from +2 °C up to +8 °C.

Press button 4, "fridge/super", repeatedly until display panel 5 displays the required refrigerator compartment temperature.

The last set value is saved.

Notes

- Do not store perishable foods at temperatures higher than +4 °C.
- For short-term storage of food, a higher temperature can be set (energy-saving operation).
- When frequently opening the door and placing large quantities of food in the cooling compartment, a lower temperature should be set.

Freezer compartment

The temperature can be set from -15 °C up to -22 °C.

Press the "freezer/super" button 1 repeatedly until the display panel 7 shows that the required freezer compartment temperature is set.

The last set value is saved.

Supercool function

Figure 2

With the supercool function, the cooling compartment is cooled to the coldest temperature.

After approx. 40 minutes, or once the temperature in the cooling compartment is 2 °C lower than the set temperature, the super cooling function automatically switches off.

Once the coldest temperature is reached, it automatically changes to the present temperature.

The supercool function is recommended in the following cases:

- Before putting a large amount of food in the cooling compartment.
- To cool drinks quickly.

Switching on

Press button 4, "fridge/super", repeatedly until display panel 5 displays "super".

Switching off

Press button 4 "fridge/super".

Superfreeze function

Figure 2

Food should be frozen thoroughly as quickly as possible. This ensures that vitamins, nutritional values, the look and the taste of the food is retained.

To ensure that there is no undesired increase in temperature while you are placing fresh food in the freezer, switch on the "superfreeze" function a few hours beforehand. In general, 4-6 hours is sufficient. When making use of the maximum freezing capacity, 24 hours are required.

After 48 hours, the temperature automatically changes to the temperature that was set before using "superfreeze".

Switching on

Press button 1, "freezer/super", repeatedly until display panel 7 displays "super".

Switching off

Press button 1 "freezer/super".

Button lock

Figure 2

When the button lock is switched on, all of the buttons on the control element are locked.

Exception: When the button lock is switched on, the "alarm" button can be used to switch off the audible warning signal. In addition, water can still be dispensed from the appliance.

Switching on and off

Press the "lock" button 2.

If the button lock is switched on, "lock" is shown on the display panel.

To switch the button lock off, press and hold "lock" button 2 for approx. 3 seconds.

Alarm function

If an alarm is triggered, an audible warning signal sounds and "alarm" is shown on the display panel.

Press the "alarm" button to switch off the audible warning signal. Figure 2/3

Door alarm

The door alarm switches on if one of the appliance doors remains open for longer than 1 minute.

The alarm stops when the door is closed again.

Temperature alarm

The temperature alarm is triggered if the refrigerator compartment or freezer compartment becomes too warm and the food is endangered.

Without any risk to the frozen food, the alarm may be triggered:

- when the appliance is first used,
- when putting large quantities of fresh food in the compartment.

Refrigerator compartment

"alarm" is displayed below the refrigerator compartment temperature on the right of the display panel.

Caution

In cases of doubt, do not use raw food. Before consumption, heat up any chilled food that has warmed up.

Freezer compartment

"alarm" is displayed below the freezer compartment temperature on the left of the display panel.

Caution

Do not refreeze defrosted food. It can only be refrozen after it has been made into a ready-to-eat meal (cooked or roasted).

Do not continue to use the complete max. storage time for the frozen food.

Utilisable volume

You will find information regarding the utilisable volume on the rating plate (see section "After-sales service").

Cooling compartment

The cooling compartment is the ideal place to keep prepared dishes, baked goods, canned goods, condensed milk, hard cheese, fruit and vegetables that are sensitive to cold, and tropical fruits.

When arranging the food, note the following

When arranging the food, bear in mind the following:

- Arrange your food so that it is well-packaged or covered. This ensures that the aroma, colour and freshness are not lost. This also prevents flavours from mixing and the plastic parts from becoming discoloured.
- Allow warm food and beverages to cool before putting them into the appliance.
- Do not block the cooling compartment's air outlets with food. Doing so impedes the air circulation. Food that is stored directly in front of the air outlets may become frozen by the cold air that is discharged.

Freezer compartment

Use the freezer compartment for the following

- Storing deep frozen food.
- Making ice cubes.
- Freezing food.

Note

Make sure that the freezer compartment door is always closed. When the door is open, the frozen foods defrost and the freezer compartment ices up heavily. Furthermore: Energy is wasted due to the power consumption.

When you close the freezer compartment door, there is negative pressure in the freezer compartment. This causes a sucking noise. Wait for two to three minutes until the negative pressure has cleared.

Max. freezing capacity

You will find information on the maximum freezing capacity in 24 hours on the rating plate (see section "After-sales service").

Freezing and storing

Purchasing frozen foods

- Packaging must not be damaged.
- Observe the best before date.
- The temperature in the commercial chest freezer must be -18°C or colder.
- As far as possible, frozen food must be transported in an insulated container and quickly placed in the freezer compartment.

Storing frozen food

If lots of food is to be stored, you can remove the ice twister and the shelf.

To ensure that there is no impact on the air circulation in the appliance, do not stack the food beyond the stacking limit.

Freezing fresh food

Only use fresh, undamaged food for freezing.

In order to retain the nutritional value, aroma and colour of the food as much as possible, blanch vegetables before they are frozen. Blanching is not required for aubergines, peppers, courgettes and asparagus.

You can find literature about freezing and blanching in bookshops.

Note

Do not allow food that is to be frozen to sit right next to food that has already been frozen.

- The following are suitable for freezing: Baked goods, fish and seafood, meat, game, poultry, vegetables, fruit, herbs, eggs without their shells, dairy products such as cheese, butter and curd cheese, prepared dishes and leftovers such as soups, stews, cooked meat and fish, potato dishes, baked casseroles and sweet foods.
- The following are not suitable for freezing:
Types of vegetables that are usually eaten raw – such as green salad or radishes, eggs in their shells, grapes, whole apples, pears and peaches, hard-boiled eggs, yoghurt, soured milk, sour cream, crème fraîche and mayonnaise.

Packaging frozen food

Pack food so that it is airtight to prevent it from losing its flavour or drying out.

1. Store food in its packaging.
2. Press out any air.
3. Close the packaging tightly.
4. Label packaging with its contents and date of freezing.

The following are suitable as packaging:

Plastic film, polyethylene hose film, aluminium foil, freezer bags.
You will find these products at your specialist dealer.

The following are not suitable as packaging:

Wrapping paper, greaseproof paper, cellophane, rubbish bags and used shopping bags.

The following are suitable for sealing packaging:

Rubber bands, plastic clips, pack-twines, cold-resistant scotch tape, or similar.

Polyethylene bags and hose film can be fused closed using a bag sealer.

Storage life of frozen foods

Depending on the type of food.

At a temperature of -18 °C:

- Fish, sausages, prepared dishes, baked goods:
Up to 6 months.
- Cheese, poultry, meat:
Up to 8 months.
- Vegetables, fruit:
Up to 12 months.

Defrosting frozen food

You can decide between the following options, depending on the type of food and its intended use:

- at ambient temperature
- in the fridge
- in an electric oven, with/without hot air convection
- In the microwave oven.



Caution

Do not refreeze defrosted food. It can only be refrozen after it has been made into a ready-to-eat meal (cooked or roasted).

Do not continue to use the complete max. storage time for the frozen food.

Ice and water dispenser

You can use the ice and water dispenser to dispense ice cubes and cold water from the appliance.

Observing the drinking water quality

All materials used to manufacture water dispenser are odourless and tasteless.

If the water has an after-taste, this may be caused by the following:

- The mineral and chlorine content of the drinking water.
- The freshness of the drinking water. If water has not been dispensed for a long period of time, the water may taste "stale". In this case, empty the water container and fill it with fresh water.

Dispensing ice

Figure 7

1. Pull out the water container.
2. Open the filling unit for the water container.
3. Pour fresh water up to the marker line in the water container and close the filling unit.

Note

Rub dry the exterior and lower outlet opening of the water container.

4. Slide the water container into the ice twister.
5. Once the ice cubes are frozen, turn the turning handle to the right. The ice cubes become loose and fall into the container.
6. Pull out the container and remove the ice cubes.

Dispensing water

Figure 8

1. Open the filling unit for the water container.
2. Pour fresh water up to the marker line in the water container.

Note

Only fill the water container with water.

3. Press the glass against the trigger pad.

Features

You can vary positioning of the interior shelves and the door shelves depending on your requirements:

- Lift the shelf and move it towards the front.
- Lift the door shelf and remove it.

Stay-fresh compartment

The temperatures in the stay-fresh compartment are lower than in the cooling compartment. There may also be temperatures lower than 0 °C.

Ideal for storing fish, meat and sausages. Not suitable for salads, vegetables or food that is sensitive to cold.

To ensure that the stay-fresh compartment functions correctly, it must be completely closed and the shelf must rest on it correctly.

Odour filter

Unpleasant odours in the refrigerator compartment are prevented by the odour filter.

Tip: Despite this, strong-smelling foods should still be stored in securely sealed containers.

If the effect of the odour filter decreases, it can easily be revitalised:

1. Remove the odour filter.
2. Dry the filter with a hair dryer.
3. Lay the odour filter in the sun in order to eliminate any remaining unpleasant odours (decomposition of the odour compounds by ultraviolet light).
4. Place the odour filter back in the appliance.

Vegetable container with humidity controller

Figure 9

To create the perfect storage climate for vegetables, salad and fruit, depending on the quantity of food in storage, the humidity can be controlled in the vegetable container.

Small quantities of food –

Move the controller to the left.

Large quantities of food –

Move the controller to the right.

Switching the appliance off and placing it out of operation

Switch off the appliance

Unplug the appliance from the mains or switch off the childproof lock.

The temperature display goes blank and the refrigerating unit switches off.

Putting the appliance out of service

If you do not use the appliance for long periods:

1. Unplug the appliance from the mains or switch off the childproof lock.
2. Clean the appliance.
3. Leave the appliance door open.

Cleaning the appliance



Caution

- Do not use gritty, acidic or chlorine-based cleaning agents or solvents.
- Do not use any abrasive materials or materials that may scratch surfaces. This may lead to corrosion of the metallic surfaces.
- Never clean the shelves or containers in the dishwasher. The parts may warp.

The cleaning water must not get into

- Opening slots in the front bottom area of the freezer compartment,
- Operating controls,
- Or any lighting.

Proceed as follows:

1. Before cleaning the appliance, unplug the mains plug or disconnect the fuse.
2. Take out the frozen food and store it in a cool place. Place an ice block (if you have one) on the food.
3. Clean the appliance with a soft cloth, lukewarm water, and a little pH-neutral detergent. The water used for rinsing must not get into the lighting.
4. Only wipe the door seal with clean water and then rub it until it is dry.
5. After cleaning, reconnect the appliance to the mains and switch it on.
6. Put the frozen food back in.

Features

To clean the appliance, all of the variable elements can be removed.

Removing shelves

Lift the shelf and move it towards the front.

Removing the door shelves

Lift the door shelf and remove it.

Removing the ice twister storage tank and water container

Figure 10

1. Remove the storage tank and water container.
2. Remove the cover of the water container and empty the water container.
3. Clean the individual parts of the water container and the storage tank with clear water, and wipe them dry with a cloth.

Removing the water container

Figure 11

1. Remove the water container.
2. Remove the cover of the water container and empty the water container.
3. Clean the individual parts of the water container with clear water, and wipe them dry with a cloth.

Lighting (LED)

Your device is equipped with a maintenance-free LED light.

Any repair work on the lighting must only be carried out by the after-sales service or authorised experts.

Saving energy

- Install the appliance in a dry, ventilated room. The appliance must be installed out of direct sunlight and away from heat sources (e.g. heating elements, cooker).
Use an insulating plate if necessary.
- Allow hot food and drinks to cool before placing them in the appliance.
- Place frozen food that is to be defrosted in your cooling compartment. Use the low temperature of the frozen food to cool down food.
- Open the appliance door for as little time as possible.
- Clean the rear side of the appliance occasionally with a vacuum cleaner or brush in order to avoid increased power consumption.

Operating noises

Completely normal noises

Humming

Motors running (e.g. refrigeration units, ventilator).

Bubbling, whirring or gurgling noises

Refrigerant is flowing through the pipes.

Clicking

Motors, switches or solenoid valves are switching on/off.

Crackling

Automatic defrosting is taking place.

Preventing noises

If the appliance is positioned unevenly

Align the appliance using a spirit level. Use the threaded feet for this, or place something underneath the feet.

If the appliance is touching adjacent units or appliances

Move the appliance away from adjacent furniture or appliances.

Containers or shelves are wobbling or sticking

Check the removable parts and reinsert them if necessary.

If bottles or containers are touching

Move the bottles or containers apart slightly.


Rectifying minor faults yourself

Before you call the after-sales service:

Check whether you can rectify the fault yourself by using the notes below.

You must bear the costs for consultation with the after-sales services yourself – even during the warranty period.

| Problem | Possible cause | Remedy |
|---|--|---|
| It is too cold in the cooling compartment. | Colder freezer compartment temperatures may also cause colder cooling compartment temperatures. This is due to its cooling properties. | Set the temperature in the cooling compartment so that it is slightly warmer. If this is not sufficient, e.g. if the room temperatures are too cold, you can also set the temperature in the freezer compartment temperature so that it is warmer. |
| | The appliance door is being opened frequently. | Do not open the appliance door unnecessarily. |
| The temperature in the freezer compartment is too high. | The ventilation openings are covered. | Remove any obstructions. |
| | Freezing larger quantities of fresh food. | Do not exceed the max. freezing capacity. |
| The temperature deviates considerably from the setting. | | In some cases, it is sufficient to switch off the appliance for 5 minutes. If the temperature is too high, wait a few hours and check whether the temperature has aligned with the setting. If the temperature is too low, wait until the next day and check the temperature again. |
| | | |

| Problem | Possible cause | Remedy |
|------------------------------|---|--|
| The lighting is not working. | The LED lighting is faulty. | See section "Lighting (LED)". |
| | The appliance door was opened for too long. The lighting switches off after approx. 10 minutes. | After closing and opening the appliance door, the lighting is switched on again. |
| | The light switch is jammed. | Check whether you can move the light switch. Figure  /4 |
| No display lights up. | If the appliance is not operated for some time, the control panel display switches to energy-saving mode. | As soon as the appliance is used again (e.g. the door is opened), the display switches back to its normal lighting. |
| | Power failure; the fuse has been tripped; the mains plug is not firmly inserted. | Connect the mains plug. Check whether there is power, check the fuses. |

| Problem | Possible cause | Remedy |
|---|--|--|
| An audible warning signal sounds and "alarm" is shown on the display panel. | One of the appliance doors was left open for longer than 1 minute. | Close the appliance doors. |
| | <p>"alarm" is displayed below the refrigerator compartment temperature on the right of the display panel.</p> <p>It is too warm in the refrigerator compartment.</p> | <p>Press the "alarm" button to switch off the audible warning signal.</p> <p>Figure 2/3</p> <p>Note</p> <p>If it has become too warm in the cooling compartment, properly heat up any chilled goods that have been warmed before consumption.</p> <p>In cases of doubt, do not use raw food.</p> |
| | Too much food has been put in for cooling at the same time | Before putting a large amount of food in the cooling compartment, switch on the "supercool" function. |
| | <p>"alarm" is displayed below the freezer compartment temperature on the left of the display panel.</p> <p>It is too warm in the freezer compartment.</p> | <p>Press the "alarm" button to switch off the audible warning signal.</p> <p>Figure 2/3</p> <p>Note</p> <p>Do not refreeze defrosted food. It can only be refrozen after it has been made into a ready-to-eat meal (cooked or roasted).</p> <p>Do not continue to use the complete max. storage time for the frozen food.</p> |
| | Too much food has been put in for freezing at the same time. | <p>Do not exceed the max. freezing capacity.</p> <p>Before putting a large amount of food in the freezer compartment, switch on the "superfreeze" function.</p> |
| | The ventilation openings are covered. | Remove any obstructions. |

| Problem | Possible cause | Remedy |
|---|---|---|
| When filling the water compartment for the ice twister, the water flows out of the underside. | A layer of ice has formed on the outlet opening of the water compartment. | Clean the water container; see the section on cleaning the appliance. |

After-sales service

You can find an after-sales service point near to you in the telephone directory or in the list of after-sales service points.

When you call the after-sales service, quote your product number (E no.) and the production number (FD no.) of your appliance.

You will find this information on the rating plate. Figure **12**

Please help us to avoid unnecessary journeys by quoting the appliance and production number. This will save you the additional associated costs.

Repair order and consultation if faults occur

The attached after-sales service directory contains the contact data for all countries.

| | | |
|----|--------------|---|
| GB | 0844 8928979 | Calls from a BT landline will be charged at up to 3 pence per minute. A call set-up fee of up to 6 pence may apply. |
| IE | 01450 2655 | |
| US | 800 944 2904 | toll-free |

Consignes de sécurité et avertissements

Avant de mettre l'appareil en service

Veillez lire attentivement et en intégralité les informations figurant dans la notice d'utilisation et de montage ! Elles contiennent des remarques importantes concernant l'installation, l'utilisation et l'entretien de l'appareil.

Le fabricant n'assume aucune responsabilité en cas de non-respect des indications et avertissements contenus dans la présente notice. Conservez toute la documentation pour pouvoir la consulter à nouveau ultérieurement ou si l'appareil doit changer un jour de propriétaire.

Sécurité technique

Cet appareil contient une petite quantité d'un fluide réfrigérant écologique mais inflammable : le R600a. Pendant le transport et la mise en place de l'appareil, veillez à ne pas endommager les tuyauteries du circuit frigorifique. Si le fluide réfrigérant jaillit, il peut provoquer des lésions oculaires ou s'enflammer.

Si l'appareil est endommagé

- éloignez de l'appareil toute flamme nue ou source d'inflammation,
- aérez bien la pièce pendant quelques minutes,
- éteignez l'appareil, puis débranchez la prise de courant,
- contactez le service après-vente.

Plus l'appareil contient du fluide réfrigérant, plus la pièce dans laquelle il se trouve doit être spacieuse. Dans les pièces trop petites, un mélange gaz-air inflammable peut se former en cas de fuite.

Comptez 1 m³ de volume minimum de la pièce pour 8 g. de fluide réfrigérant. La quantité de fluide présente dans l'appareil est indiquée sur la plaque signalétique située à l'intérieur de ce dernier.

Si le cordon d'alimentation de cet appareil est endommagé, il doit être remplacé par le fabricant, le service après-vente ou toute autre personne justifiant d'une qualification similaire. Les installations et les réparations inexpertes peuvent engendrer des risques considérables pour l'utilisateur.

Les réparations doivent uniquement être exécutées par le fabricant, le service après-vente ou toute autre personne justifiant d'une qualification similaire.

Seules les pièces d'origine du fabricant doivent être utilisées. Le fabricant garantit uniquement les pièces d'origine car elles seules satisfont aux exigences de sécurité.

Si vous avez besoin de prolonger le cordon d'alimentation à l'aide d'une rallonge, procurez-vous la exclusivement après du service après-vente.

Pendant l'utilisation

- N'utilisez jamais d'appareils électriques à l'intérieur de l'appareil (par ex., des appareils de chauffage, des sorbetières électriques). Risque d'explosion !
- Ne dégivrez ou ne nettoyez jamais l'appareil à l'aide d'un nettoyeur à vapeur ! La vapeur pourrait atteindre des pièces électriques et provoquer un court-circuit. Risque d'électrocution !
- N'utilisez jamais d'objets pointus ni tranchants pour enlever le givre ou les couches de glace. Vous risqueriez d'endommager les conduites de fluide réfrigérant. Si le fluide réfrigérant jaillit, il peut provoquer des lésions oculaires ou s'enflammer.
- Ne stockez dans l'appareil aucun produit contenant des gaz propulseurs inflammables (par ex. bombes aérosols) ni aucun produits explosifs. Risque d'explosion !
- Ne vous appuyez pas sur le socle, les clayettes, les portes etc., et ne vous en servez pas comme marchepied.
- Pour dégivrer ou nettoyer l'appareil, débranchez la prise de courant ou désarmez le disjoncteur. Pour ce faire, tirez sur la prise et non pas sur le câble de raccordement.
- Les boissons fortement alcoolisées doivent être fermées hermétiquement et stockées à la verticale.
- L'huile et la graisse ne doivent pas entrer en contact avec les parties en matières plastiques et le joint de porte. Ces derniers risquent sinon de devenir poreux.
- Ne recouvrez et n'obstruez jamais les orifices de ventilation de l'appareil.
- L'utilisation de cet appareil par des personnes (enfants compris) présentant des capacités physiques, sensorielles ou psychiques restreintes, ou ne détenant pas les connaissances voulues, doit se faire uniquement sous surveillance ou après avoir reçu des instructions détaillées.
- Ne stockez aucune boisson, gazeuse en particulier, en bouteilles ou en canettes dans le compartiment congélateur. Les bouteilles et les canettes risqueraient d'éclater !
- Ne portez jamais directement à la bouche des produits surgelés qui sortent du compartiment congélateur. Risque d'engelures !
- Évitez tout contact prolongé des mains avec les produits congelés, la glace ou les tubes de l'évaporateur etc. Risque d'engelures !

Risques à éviter pour les enfants et les personnes vulnérables

Ces risques concernent :

- les enfants,
- les personnes dont les capacités physiques et psychiques sont réduites ou dont la capacité de perception est limitée,
- les personnes ne disposant pas de connaissances suffisantes sur la manipulation sûre de l'appareil.

Mesures de précaution :

- veillez à ce que les enfants et les personnes vulnérables aient compris les risques,
- une personne responsable de la sécurité doit surveiller ou guider les enfants et les personnes vulnérables quant à la manipulation de l'appareil,
- n'autorisez pas les enfants de moins de 8 ans à manipuler l'appareil,
- surveillez les enfants lors des travaux de nettoyage et d'entretien,
- ne laissez jamais les enfants jouer avec l'appareil.

Dispositions générales

L'appareil convient pour

- réfrigérer ou congeler des produits alimentaires,
- préparer des glaçons,
- la distribution d'eau potable.

Cet appareil est conçu pour une utilisation jusqu'à une altitude maximale de 2 000 m.

Cet appareil est destiné à un usage domestique.

L'appareil a été antiparasité conformément à la directive UE 2004/108/EC.

Le circuit frigorifique a subi un contrôle d'étanchéité.

Ce produit est conforme aux dispositions de sécurité applicables aux appareils électriques (EN 60335-2-24).

Consignes pour la mise au rebut

Mise au rebut de l'emballage

L'emballage protège votre appareil contre les dommages susceptibles de survenir en cours de transport. Tous les matériaux qui le composent sont respectueux de l'environnement et recyclables. Aidez-nous à recycler l'emballage en respectant l'environnement.

Pour savoir comment vous débarrasser de votre emballage, veuillez consulter votre revendeur ou les services administratifs de votre mairie.

Mise au rebut de votre ancien appareil

Les appareils usagés ne sont pas des déchets dénués de valeur ! Leur élimination dans le respect de l'environnement permet d'en récupérer de précieuses matières premières.



Cet appareil est marqué selon la directive européenne 2012/19/EU concernant les appareils électriques et électroniques usagés (déchets des équipements électriques et électroniques - DEEE). La directive spécifie le cadre pour une reprise et un recyclage des appareils usagés applicables dans les pays de la CE.

Mise en garde

Avant de mettre au rebut l'appareil qui ne sert plus :

1. Débranchez la fiche mâle de la prise de courant.
2. Sectionnez son câble de raccordement puis enlevez-le avec la fiche mâle.
3. Pour dissuader les enfants de monter dans l'appareil, ne retirez pas les clayettes ni les bacs !
4. N'autorisez pas les enfants à jouer avec l'appareil usagé. Risque d'asphyxie !

Les appareils frigorifiques contiennent des fluides frigorigènes et des gaz isolants. Ceux-ci nécessitent une mise au rebut adéquate. Jusqu'à l'enlèvement de l'appareil, veillez bien à ce que son circuit frigorifique ne soit pas endommagé.

Étendue des fournitures

Après avoir déballé votre appareil, vérifiez toutes les pièces pour détecter d'éventuels endommagements dus au transport.

En cas de réclamation, adressez-vous au détaillant qui vous a vendu cet appareil ou à notre service après-vente.

La livraison comprend les pièces suivantes :

- Appareil indépendant
- Équipement (selon le modèle)
- Notices d'utilisation et de montage
- Carnet de service après-vente
- Pièce annexe de la garantie

- Informations relatives à la consommation d'énergie et aux bruits
- Sachet avec visserie de montage

Installation de l'appareil

Lieu d'installation

Il est préférable d'installer l'appareil dans un endroit sec et bien aéré. Évitez d'exposer directement l'appareil aux rayons solaires ou de l'installer à proximité d'une source de chaleur, telle qu'une cuisinière, un radiateur, etc. Si l'installation près d'une source de chaleur est inévitable, utilisez une plaque isolante appropriée ou respectez les distances minimales suivantes :

- 3 cm par rapport aux cuisinières électriques ou à gaz.
- 30 cm par rapport à un radiateur au fuel ou au charbon.

Les appareils à poignée saillante requièrent, sur le côté où la porte bute contre le mur, un espace d'au moins 55 mm par rapport à ce dernier afin que la porte puisse s'ouvrir à 90°.

Contrôle de la température ambiante et de l'aération

Température ambiante

L'appareil a été conçu pour une catégorie climatique précise. Suivant la catégorie climatique, l'appareil est utilisable dans les températures ambiantes suivantes.

La catégorie climatique de l'appareil figure sur sa plaque signalétique.

Figure 12

| Catégorie climatique | Température ambiante admissible |
|----------------------|---------------------------------|
| SN | +10 °C à 32 °C |
| N | +16 °C à 32 °C |
| ST | +16 °C à 38 °C |
| T | +16 °C à 43 °C |

Remarque

L'appareil est entièrement fonctionnel dans les limites de température de la classe climatique indiquée. Si un appareil de la classe climatique SN est exploité à des températures inférieures, l'appareil ne sera pas endommagé jusqu'à une température de +5 °C.

Aération

Figure 3

L'air entrant en contact avec la paroi arrière de l'appareil se réchauffe. L'air chaud doit pouvoir s'échapper sans obstacle. S'il ne le peut pas, le groupe frigorifique doit fonctionner plus longtemps, ce qui augmente la consommation de courant. Pour cette raison, ne recouvrez ni et n'obstruez jamais les orifices d'aération de l'appareil !

L'écart minimal séparant l'appareil de chaque côté doit être au minimum de 5 cm.

Montage des écarteurs

Figure 4

Montez les écarteurs ci-joints sur les fixations prévues au dos de l'appareil. Ceci permet de respecter l'écart minimum requis par rapport au mur et de garantir une aération appropriée.

Si l'appareil n'est pas d'aplomb, les portes risquent de ne pas bien fermer.

Ajustement de l'appareil

Figure 5

Pour que l'appareil fonctionne impeccablement, il faut l'horizontaliser à l'aide d'un niveau à bulle.

Si l'appareil n'est pas d'aplomb, les portes risquent de ne pas bien fermer.

1. Amenez l'appareil sur l'emplacement prévu.
2. Dévissez les pieds avant jusqu'à ce qu'ils soient en contact avec le sol et que l'appareil soit ajusté à l'avant.
3. À l'aide d'un niveau à bulle, vérifiez que l'appareil est horizontalisé.

Remarque

Pour que l'appareil ne bouge pas, les pieds avant doivent reposer de manière stable sur le sol.

Raccordement de l'appareil

Après avoir installé l'appareil, attendez au moins 1 heure avant de le mettre en service. Il peut en effet arriver, pendant le transport, que l'huile présente dans le compresseur se déplace vers le circuit frigorifique.

Avant la première mise en service, nettoyez le compartiment intérieur de l'appareil (voir le chapitre « Nettoyage de l'appareil »).

Raccordement électrique

La prise femelle doit être proche de l'appareil et demeurer librement accessible même après son installation. Cet appareil est conforme à la classe de protection I. Raccordez l'appareil au courant alternatif 220-240 V/50 Hz via une prise femelle installée réglementairement et comportant un fil de terre. La prise doit être protégée par un fusible supportant un ampérage de 10 A à 16 A.

Sur les appareils destinés aux pays non européens, vérifiez si la tension de branchement et le type de courant concordent bien avec ceux offerts par le secteur du pays concerné. Ces données se trouvent sur la plaque signalétique.

Figure **12**

Mise en garde

Ne branchez en aucun cas l'appareil à une « prise économie d'énergie » électronique.

Nos appareils peuvent être alimentés via des onduleurs pilotés par le secteur ou à pilotage sinusoïdal. Directement raccordées au réseau public, les installations photovoltaïques font appel à des onduleurs pilotés par le secteur. Dans les solutions en îlots (par ex. sur les bateaux ou les refuges de montagne), ne disposant pas d'un raccordement direct au réseau électrique public, il faut utiliser des onduleurs à pilotage sinusoïdal.

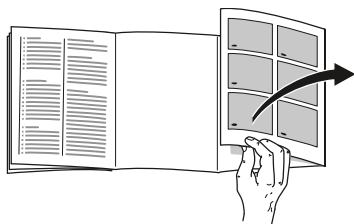
Montage des poignées

Figure **6**

Montez les poignées uniquement une fois que l'appareil est installé à son emplacement et qu'il est stable.

1. Insérez le manche dans les conduites.
2. Posez les vis et fixez-les.
3. Glissez les poignées dans les manches et poussez vers le bas. L'autocollant « Top » doit se trouver sur le dessus.
4. Placez les vis et fixez-les.

Présentation de l'appareil



Veuillez déplier la dernière page, illustrée, de la notice. La présente notice d'utilisation vaut pour plusieurs modèles. L'équipement des modèles peut varier. Selon le modèle, l'appareil peut différer du contenu des illustrations.

Figure 1

- 1 Éclairage
- 2 Ice Twister
- 3 Clayette du compartiment congélateur
- 4 Interrupteur d'éclairage
- 5 Rangement en contre-porte
- 6 Bandeau de commande
- 7 Éclairage
- 8 Clayettes du compartiment réfrigérateur
- 9 Compartiment fraîcheur
- 10 Bac(s) à fruits et légumes avec désodorisant
- 11 Distribution d'eau
- 12 Réservoir d'eau
- 13 Rangement en contre-porte pour oeufs, tubes et petites boîtes de conserve
- 14 Rangement en contre-porte pour grandes bouteilles

Bandeau de commande

Figure 2

- 1 **Touche « freezer/super »**
 - Réglage de la température dans le compartiment de congélation
 - Activer et éteindre la fonction « Super-décongélation ».
- 2 **Touche « lock »**
Activation/désactivation du verrouillage des touches.
- 3 **Touche « alarm »**
Désactivation de l'alarme sonore.
- 4 **Touche « fridge/super »**
 - Réglage de la température dans le compartiment réfrigérateur
 - Activer et éteindre la fonction « Super-réfrigération ».
- 5 **Affichage de la température du compartiment réfrigérateur**
Affiche la température réglée dans le compartiment réfrigérateur.
« super »
La fonction « Super-réfrigération » est activée.
« alarm »
La fonction d'alarme est activée.
- 6 **Verrouillage des touches „lock“**
Le verrouillage des touches est activé.
- 7 **Affichage de la température du compartiment de congélation**
Affiche la température réglée dans le compartiment de congélation.
« super »
La fonction « Super-décongélation » est activée.
« alarm »
La fonction d'alarme est activée.

Mise en service de l'appareil

Après le raccordement au secteur, l'appareil commence à réfrigérer. Les éclairages intérieurs s'allument lorsque vous ouvrez les portes.

Une alarme sonore retentit. La touche « alarm » vous permet de désactiver celle-ci.

Les températures suivantes sont recommandées et réglées en usine :

- Compartiment réfrigérateur : +4 °C
- Compartiment congélateur : -18 °C.

Remarques concernant le fonctionnement de l'appareil

- Une fois en service, l'appareil atteint en quelques heures les températures préréglées.
- Grâce au système NoFrost entièrement automatique, aucun givre ne se forme dans le compartiment congélateur. Il n'est plus nécessaire de procéder à un dégivrage.
- Les surfaces frontales de l'appareil peuvent légèrement chauffer. Ceci empêche une condensation d'eau au niveau du joint de porte.
- Si la porte du compartiment congélateur est difficile à ouvrir juste après l'avoir fermée, patientez quelques secondes jusqu'à ce que la différence de pression se régularise et vous permette d'ouvrir de nouveau la porte normalement.

Réglage de la température

Figure 2

Compartiment réfrigérateur

La température peut être réglée entre +2 °C et +8 °C.

Appuyez autant de fois que nécessaire sur la touche 4 « fridge/super » jusqu'à ce que la température du compartiment réfrigérateur souhaitée s'affiche sur l'afficheur 5.

La dernière valeur réglée est mémorisée.

Remarques

- Ne rangez pas les aliments délicats à une température supérieure à +4 °C.
- Pour stocker des produits alimentaires sur une courte durée, la température peut être augmentée (mode économe en énergie).
- Si vous ouvrez fréquemment la porte de l'appareil ou que vous stockez de grandes quantités d'aliments dans le compartiment réfrigérateur, optez pour une température plus froide.

Compartiment congélateur

La température peut être réglée entre -15 °C et -22 °C.

Appuyez autant de fois que nécessaire sur la touche 1 « freezer/super » jusqu'à ce que la température du compartiment de congélation souhaitée s'affiche sur l'afficheur 7.

La dernière valeur réglée est mémorisée.

Super-réfrigération

Figure 2

Pendant la super-réfrigération, la température du compartiment réfrigérateur descend le plus bas possible.

Au bout d'environ 40 minutes ou lorsque la température du compartiment réfrigérateur est de 2 °C en-dessous de la température pré-réglée, la super-réfrigération est automatiquement désactivée.

Ensuite, l'appareil commute automatiquement sur la température précédemment réglée.

La super-réfrigération est notamment recommandée dans les cas suivants :

- Avant de ranger de grandes quantités d'aliments.
- Pour refroidir rapidement des boissons.

Activation

Appuyez autant de fois que nécessaire sur la touche 4 « fridge/super » jusqu'à ce que l'afficheur 5 affiche « super ».

Désactivation

Appuyez sur la touche 4 « fridge/super ».

Super-décongélation

Figure 2

Les aliments doivent être congelés jusqu'au cœur le plus rapidement possible afin de préserver les vitamines, la valeur nutritive, l'apparence et le goût.

Pour qu'il ne se produise aucune augmentation indésirable de la température lorsque vous rangez des produits alimentaires frais, il faut activer la super-congélation quelques heures avant de les ranger. En général, 4-6 heures suffisent. Lors de l'utilisation de la capacité de congélation maximale, 24 heures sont nécessaires.

Après 48 heures, il est automatiquement commuté sur la température précédant la super-congélation.

Activation

Appuyez autant de fois que nécessaire sur la touche 1 « freezer/super » jusqu'à ce que l'afficheur 7 affiche « super ».

Désactivation

Appuyez sur la touche 1 « freezer/super ».

Verrouillage des touches

Figure 2

Lorsque le verrouillage des touches est activé, toutes les touches du bandeau de commande sont bloquées.

Exception : l'alarme sonore peut être désactivée via la touche « alarm » même si le verrouillage des touches est activé. De plus, de l'eau peut encore être prélevée de l'appareil.

Activation et désactivation

Appuyez sur la touche 2 « lock ».

Lorsque le verrouillage des touches est activé, la mention « lock » apparaît.

Pour désactiver cette fonction, appuyez sur la touche 2 « lock » pendant environ 3 secondes.

Fonction d'alarme

Lorsqu'une alarme est déclenchée, une alarme sonore retentit et la mention « alarm » apparaît.

Appuyez sur la touche « alarm » pour désactiver l'alarme sonore. Figure 2/3

Alarme de la porte

L'alarme de la porte se déclenche lorsque les portes de l'appareil restent ouvertes pendant plus d'1 minute.

L'alarme sonore cesse lorsque les portes sont refermées.

Alarme de température

L'alarme de température se déclenche si la température est trop élevée dans le compartiment réfrigérateur ou congélateur et si les produits risquent de s'abîmer.

Sans risque pour l'aliment congelé l'alarme peut s'activer :

- lors de la mise en service de l'appareil,
- lors du chargement de grandes quantités de nourriture fraîche.

Compartiment réfrigérateur

Sur l'afficheur apparaît à droite, sous la température du compartiment réfrigérateur, « alarme ».



Attention

En cas de doute concernant un aliment cru, ne l'utilisez pas.

Réchauffer l'aliment réfrigéré avant sa consommation.

Compartiment congélateur

Sur l'afficheur apparaît à gauche, sous la température du compartiment de congélation, « alarme ».



Attention

Ne remettez pas à congeler des produits alimentaires partiellement ou entièrement décongelés. Ne recongelez les produits qu'après les avoir transformés (cuisson ou rôtissage).

Dans ce cas, consommez-les nettement avant la date limite de conservation.

Contenance utile

Vous trouverez les indications relatives à la contenance utile sur la plaque signalétique (voir le chapitre « Service après-vente »).

Compartiment réfrigérateur

Le compartiment réfrigérateur est l'endroit idéal où ranger des gâteaux et pâtisseries, des plats cuisinés, des conserves, du lait concentré, du fromage à pâte dure, des fruits et des légumes sensibles au froid tels que des fruits tropicaux.

Consignes de rangement

Précautions à prendre pour ranger les aliments :

- Rangez les aliments en prenant soin de les emballer ou de les couvrir correctement. Vous pourrez ainsi conserver leurs arômes, leur couleur et leur fraîcheur. Ceci empêche en outre que certains aliments communiquent leur goût à d'autres et que les pièces en plastique changent anormalement de couleur.
- Laissez d'abord refroidir les boissons et les plats avant de les ranger dans l'appareil.
- N'obstruez pas les orifices de ventilation du compartiment réfrigérateur avec des aliments afin de ne pas entraver la circulation de l'air. Les aliments placés directement devant les orifices de ventilation peuvent geler en raison de l'air froid sortant de ces orifices.

Compartiment congélateur

Utilisez le compartiment congélateur

- Pour entreposer des aliments surgelés.
- Pour faire des glaçons.
- Pour congeler des aliments.

Remarque

Veillez à ce que la porte du compartiment congélateur soit toujours fermée ! Les aliments congelés peuvent dégeler si la porte reste ouverte et du givre peut apparaître dans le congélateur. Par ailleurs : vous risquez une perte d'énergie en raison d'une consommation d'électricité plus élevée!

Une fois que la porte du compartiment congélateur est refermée, une dépressurisation se produit, entraînant un bruit de suction. Patientez deux à trois minutes jusqu'à ce que la dépressurisation se soit compensée.

Capacité de congélation maximale

Retrouvez les données relatives à la capacité de congélation maximale sur 24 heures sur la plaque signalétique (voir le chapitre « Service après-vente »).

Congélation et rangement

Achat des produits surgelés

- L'emballage ne doit pas être endommagé.
- Vérifiez la date limite de consommation recommandée.
- La température du congélateur du supermarché doit être de -18 °C minimum.
- Utilisez de préférence un sac isotherme pour le transport des produits surgelés, puis rangez les produits le plus rapidement possible dans le compartiment congélateur.

Rangement de produits congelés

Si vous devez ranger une grande quantité de produits surgelés, vous pouvez retirer l'Ice-Twister et le bac de congélation.

Afin de ne pas gêner la circulation de l'air dans l'appareil, n'empilez pas les aliments au-delà de la limite d'empilement.

Congélation de produits frais

Pour congeler des aliments, utilisez uniquement des produits frais, d'un aspect impeccable.

Afin de conserver le mieux possible les valeurs nutritives, les arômes et la couleur des aliments, il est conseillé de blanchir les légumes avant de les surgeler. Il n'est pas nécessaire de blanchir les aubergines, les poivrons, les courgettes ni les asperges.

Vous trouverez en librairie toute une bibliographie sur la congélation et le blanchissement.

Remarque

Veillez à ce que les produits alimentaires à congeler n'entrent pas en contact avec les produits déjà surgelés.

- Se prêtent à la congélation :
Pains et pâtisseries, poissons et fruits de mer, viande, gibier, volailles, légumes, fruits, fines herbes, oeufs sans la coque, produits laitiers comme le fromage, le beurre et le fromage blanc, plats préparés et restes de plats tels que les soupes, les ragoûts, la viande et les poissons cuits, les plats à base de pommes de terre, les gratins et les mets sucrés.
- Ne se prêtent pas à la congélation :
légumes généralement consommés crus, tels que la salade ou les radis, oeufs dans leur coque, raisins, pommes, poires et pêches entières, oeuf cuits dur, yaourt, lait caillé, crème acidulée, crème fraîche et mayonnaise.

Emballage de surgelés

Conditionnez les aliments dans des récipients hermétiquement fermés, afin qu'ils ne sèchent pas et ne perdent pas leur goût.

1. Placez les aliments dans l'emballage.
2. Chasser l'air des emballages.
3. Fermez l'emballage hermétiquement.
4. Inscrivez sur l'emballage le nom du contenu et la date de congélation.

Emballages adaptés :

Feuilles en plastique, feuilles en polyéthylène, feuilles d'aluminium, boîtes de congélation.

Ces produits sont en vente dans les magasins spécialisés.

Emballages inadaptés :

Papier d'emballage, papier sulfurisé, feuilles de cellophane, sacs poubelle et sacs en plastique ayant déjà servi.

Moyens d'obturation adaptés :

Caoutchoucs, clips en plastique, ficelles, rubans adhésifs résistants au froid ou produits similaires.

Vous pouvez fermer les sachets et les feuilles en polyéthylène au moyen d'une thermosoudeuse.

Durée de conservation des produits surgelés

Elle dépend de la nature des aliments.

À une température de -18 °C:

- Poisson, charcuterie, plats pré-cuisinés, pâtisseries : jusqu'à 6 mois.
- Fromage, volaille, viande : jusqu'à 8 mois.
- Fruits et légumes : jusqu'à 12 mois.

Décongélation des produits

Selon la nature et l'utilisation des produits surgelés, vous pouvez les décongeler :

- à température ambiante
- dans le réfrigérateur
- dans le four électrique, avec/sans ventilateur à air chaud
- dans le micro-ondes.



Attention

Ne remettez pas à congeler des produits alimentaires partiellement ou entièrement décongelés. Ne recongelez les produits qu'après les avoir transformés (cuisson ou rôtissage).

Dans ce cas, consommez-les nettement avant la date limite de conservation.

Distribution de glaçons et d'eau

Des glaçons et de l'eau froide pourraient être prélevés de l'appareil par le distributeur de glaçons et d'eau.

Contrôle de la qualité de l'eau potable

Tous les matériaux utilisés dans le distributeur d'eau sont inodores et sans saveur.

Si l'eau devait avoir un goût, les raisons peuvent être les suivantes :

- Teneur de l'eau potable en sels minéraux et en chlore.
- Fraîcheur de l'eau potable.

Si aucune eau n'a été prélevée pendant longtemps, elle peut prendre un goût « pas frais ». Dans ce cas, vider le réservoir d'eau et le remplir d'eau fraîche.

Prélèvement de glaçons

Figure 7

1. Retirer le réservoir d'eau.
2. Ouvrir le dispositif de remplissage du réservoir d'eau.
3. Verser de l'eau fraîche jusqu'à la ligne repère dans le réservoir d'eau et fermer le dispositif de remplissage.

Remarque

Frotter à sec la face extérieure et l'orifice inférieur d'aération du réservoir d'eau.

4. Pousser le réservoir d'eau dans l'ive Twister.

5. Si les glaçons sont gelés, tourner la poignée dans le sens horaire. Les glaçons se détachent et tombent dans le réservoir à glaçons.
6. Sortez les glaçons du réservoir.

Prélèvement d'eau

Figure 8

1. Ouvrir le dispositif de remplissage du réservoir d'eau.
2. Verser de l'eau fraîche jusqu'à la ligne repère dans le réservoir d'eau.

Remarque

Ne remplir le réservoir d'eau qu'avec de l'eau.

3. Presser le verre contre la plaque de prélèvement.

Équipement

Vous pouvez varier la configuration des clayettes et des supports en contre-porte selon vos besoins :

- Soulevez les clayettes puis tirez-les en avant pour les retirer.
- Soulevez les supports et retirez-les.

Compartiment fraîcheur

Dans le compartiment fraîcheur, les températures sont plus basses que dans le compartiment réfrigérateur. Les températures peuvent parfois être inférieures à 0 °C.

Il est donc idéal pour entreposer du poisson, de la viande et de la charcuterie. Ce compartiment ne convient pas pour ranger de la salade, des légumes ni des produits sensibles au froid.

Afin de pouvoir correctement fonctionner, le compartiment fraîcheur doit rester fermé et la clayette située au-dessus de lui doit être correctement posée.

Filter anti-odeurs

Le filtre anti-odeurs permet de vous débarrasser des odeurs désagréables présentes dans le compartiment réfrigérateur.

Conseil : stockez les aliments présentant une forte odeur dans des récipients fermés.

Lorsque l'efficacité du filtre anti-odeurs diminue, vous pouvez le rendre de nouveau efficace en utilisant des moyens simples :

1. Retirez le filtre anti-odeurs.
2. Séchez-le à l'aide d'un sèche-cheveux.
3. Placez le filtre anti-odeurs au soleil afin de retirer toute odeur désagréable résiduelle (les ultra-violetts permettent de dégrader les odeurs).
4. Remettez en place le filtre anti-odeurs.

Bacs à légumes avec régulateur d'humidité

Figure 9

Pour créer un climat de stockage optimal pour les légumes, la salade et les fruits, vous pouvez, en fonction de la quantité rangée, régler l'humidité de l'air qui régnera dans le bac à légumes.

Petites quantités de produits alimentaires -

Poussez le curseur vers la gauche.

Grandes quantités de produits alimentaires -

Poussez le curseur vers la droite.

Coupure et remisage de l'appareil

Coupure de l'appareil

Débranchez la fiche mâle du secteur ou ramenez le disjoncteur en position éteinte.

L'indicateur de température s'éteint et le groupe frigorifique s'éteint.

Mise hors service de l'appareil

Si l'appareil reste longtemps inutilisé :

1. Débranchez la fiche mâle du secteur ou ramenez le disjoncteur en position éteinte.
2. Nettoyage de l'appareil.
3. Laisser les portes de l'appareil ouvertes.

Nettoyage de l'appareil



Attention

- N'utilisez aucun produit de nettoyage contenant du sable, du chlorure ou de l'acide, ni aucun solvant.
- N'utilisez jamais d'éponges abrasives ou susceptibles de rayer.
Des zones corrodées pourraient apparaître sur les surfaces métalliques de l'appareil.
- Ne nettoyez jamais les clayettes ni les bacs au lave-vaisselle.
Ces pièces pourraient se déformer !

L'eau de nettoyage ne doit jamais pénétrer dans

- les fentes situées dans la partie avant du fond du compartiment congélateur,
- le bandeau de commande,
- ni dans l'éclairage.

Procédure :

1. Avant le nettoyage, débranchez la fiche mâle du secteur ou ramenez le disjoncteur en position éteinte.
2. Retirez les produits congelés et rangez-les dans un endroit frais. Posez les accumulateurs de froid (s'ils ont été fournis avec l'appareil) sur ces produits.
3. Nettoyez l'appareil avec un chiffon doux, de l'eau tiède et du produit à vaisselle présentant un pH neutre. L'eau de nettoyage ne doit pas pénétrer dans l'éclairage.
4. Essuyez le joint de porte uniquement avec un chiffon et de l'eau propre. Ensuite, séchez-le à fond.
5. Après le nettoyage, rebranchez la fiche mâle de l'appareil, puis remettez-le en marche.
6. Remettez en place les produits congelés.

Équipement

Pour le nettoyage, toutes les parties amovibles de l'appareil peuvent être retirées.

Retirer les clayettes

Soulevez les clayettes puis tirez-les en avant pour les retirer.

Retirer les supports en contre-porte

Soulevez les supports en contre-porte et retirez-les.

Retirer le réservoir et le réservoir d'eau de l'Ice Twister

Figure 10

1. Retirer le réservoir d'eau et le réservoir.
2. Retirer le couvercle du réservoir d'eau et vider le réservoir d'eau.
3. Nettoyer les différentes pièces du réservoir d'eau et le réservoir avec de l'eau propre et essuyer avec un chiffon sec.

Retirer le réservoir d'eau

Figure 11

1. Retirer le réservoir d'eau.
2. Retirer le couvercle du réservoir d'eau et vider le réservoir d'eau.
3. Nettoyer les différentes pièces du réservoir d'eau avec de l'eau propre et essuyer avec un chiffon sec.

Éclairage (LED)

Votre appareil est équipé d'un éclairage par LED ne demandant pas d'entretien. Cet éclairage doit exclusivement être réparé par le service après-vente ou par des spécialistes autorisés.

Économies d'énergie

- Placez votre appareil dans un endroit sec et bien aéré ! L'appareil ne doit pas être exposé directement aux rayons du soleil et ne doit pas se trouver à proximité d'une source de chaleur (par ex. radiateur, cuisinière). Utilisez le cas échéant une plaque isolante.
- Laissez d'abord refroidir les boissons et les aliments chauds avant de les ranger dans l'appareil !
- Rangez les produits surgelés dans le compartiment réfrigérateur pour qu'ils dégèlent. Utilisez l'excédent de froid de ces produits surgelés pour refroidir les aliments.
- Ouvrez la porte de l'appareil le moins possible et le plus vite possible !
- De temps en temps, nettoyez le dos de l'appareil avec un aspirateur ou avec une brosse, ceci pour éviter une hausse de consommation d'électricité.

Bruits de fonctionnement

Bruits parfaitement normaux

Bourdonnements étouffés

Fonctionnement des moteurs (par ex. compresseur, ventilateur).

Gargouillis, murmures ou clapotis

Le fluide frigorigène circule dans les tuyaux.

Cliquetis

Mise en service/mise hors service du moteur, de l'interrupteur ou de l'électrovanne.

Craquement

Le dégivrage automatique est en cours.

Éviter la génération de bruits

Instabilité de l'appareil

Vérifiez l'horizontalité de l'appareil à l'aide d'un niveau à bulle. Ajustez ensuite l'horizontalité par les pieds à vis ou placez un objet dessous.

Appareil en contact avec autre chose

Éloignez l'appareil des meubles ou des appareils voisins.

Bacs ou surfaces de rangement vibrants ou coincés

Vérifiez les pièces amovibles puis remettez-les en place correctement.

Bouteilles ou récipients en contact

Éloignez légèrement les bouteilles ou récipients les uns des autres.


Remédier soi-même aux petites pannes

Avant d'appeler le service après-vente (SAV) :

Vérifiez si vous ne pouvez pas remédier vous-même à la panne à l'aide des indications qui suivent.

Vous éviterez ainsi des dépenses inutiles car le coût des appels passés au service après-vente et le déplacement du technicien sont à votre charge – même pendant la période de garantie !

| Panne | Cause possible | Solution |
|--|---|--|
| La température est trop basse dans le compartiment congélateur. | Des températures du compartiment congélateur plus froides peuvent également entraîner une baisse des températures du compartiment réfrigérateur. C'est là une logique de réfrigération normale. | Augmentez légèrement la température du compartiment réfrigérateur. Si cela ne suffit pas, par exemple si les températures sont trop inférieures, augmentez également la température du compartiment congélateur. |
| La température est trop élevée dans le compartiment congélateur. | La porte de l'appareil est fréquemment ouverte. | N'ouvrez pas l'appareil inutilement. |
| | Les orifices de ventilation sont recouverts par des objets. | Retirez les obstacles. |
| | Congélation de grandes quantités de produits alimentaires frais. | Ne dépassez pas la capacité de congélation maximale. |
| La température dévie fortement par rapport au réglage. | | Dans certains cas, il suffit d'éteindre l'appareil pendant 5 minutes. Si la température est trop élevée, vérifiez après quelques heures si la température est devenue plus proche de celle réglée. Si la température est trop basse, vérifiez à nouveau la température le lendemain. |

| Panne | Cause possible | Solution |
|--------------------------------|---|--|
| L'éclairage ne fonctionne pas. | L'éclairage est défectueux. | Voir le chapitre « Éclairage (LED) ». |
| | L'appareil est resté trop longtemps ouvert. L'éclairage s'éteint au bout de 10 minutes environ. | Fermez la porte pour ouvrez-la pour obtenir de nouveau l'éclairage. |
| | L'interrupteur d'éclairage est bloqué. | Vérifiez si l'interrupteur d'éclairage peut être actionné. Figure  /4 |
| Aucun affichage ne s'allume. | Lorsque l'appareil n'est pas utilisé pendant quelques temps, l'affichage du bandeau de commande passe en mode économie d'énergie. | Dès que l'appareil est remis en service, par exemple que vous ouvrez ses portes, l'affichage est de nouveau éclairé. |
| | Panne de courant ; le fusible a disjoncté ; la fiche mâle n'est pas complètement branchée dans la prise secteur. | Branchez la fiche mâle. Vérifiez s'il y a du courant si le disjoncteur est en position armée. |

| Panne | Cause possible | Solution |
|--|--|---|
| L'alarme sonore retentit et la mention « alarm » apparaît. | Ouvrir une des portes de l'appareil pendant plus d'1 minute. | Fermer les portes de l'appareil. |
| | Sur l'afficheur apparaît à droite, sous la température du compartiment réfrigérateur, « alarme ». | <p>Appuyez sur la touche « alarm » pour désactiver l'alarme sonore.</p> <p>Figure 2/3</p> <p>Remarque</p> <p>Si la température est devenue trop élevée dans le réfrigérateur, réchauffez l'aliment avant de le consommer.</p> <p>En cas de doute concernant un aliment cru, ne l'utilisez pas.</p> |
| | Trop d'aliments ont été mis à réfrigérer en même temps. | Avant de charger de grandes quantités d'aliments, activer la fonction « super-réfrigération ». |
| | Sur l'afficheur apparaît « alarme » à gauche, sous l'indication de température du compartiment de congélation. | <p>Appuyez sur la touche « alarm » pour désactiver l'alarme sonore.</p> <p>Figure 2/3</p> <p>Remarque</p> <p>Ne remettez pas à congeler des produits alimentaires partiellement ou entièrement décongelés. Ne recongelez les produits qu'après les avoir transformés (cuisson ou rôtissage).</p> <p>Dans ce cas, consommez-les nettement avant la date limite de conservation.</p> |
| | Trop d'aliments ont été mis à surgeler en même temps. | <p>Ne dépassez pas la capacité de congélation maximale.</p> <p>Avant de charger de grandes quantités d'aliments, activer la fonction « super-décongélation ».</p> |
| | Les orifices de ventilation sont recouverts par des objets. | Retirez les obstacles. |

| Panne | Cause possible | Solution |
|--|---|---|
| Lors du remplissage du réservoir d'eau de l'Ice Twister, de l'eau s'écoule par le bas. | Une couche de glace s'est formée à l'orifice d'écoulement du réservoir d'eau. | Nettoyer le réservoir d'eau, voir le chapitre Appareil. |

Service après-vente

Pour trouver le service après-vente le plus proche de chez vous, consultez l'annuaire téléphonique ou le répertoire du service après-vente (SAV). Veuillez indiquer au service après-vente la référence produit (N° E) et le numéro de fabrication (N° FD) de votre appareil.

Ces données se trouvent sur la plaque signalétique. Figure 12

En indiquant ces données au technicien du service après-vente, vous lui épargnez des déplacements inutiles. Vous économisez ainsi des frais supplémentaires.

Demande de réparation et conseils en cas de problème

Vous trouverez les coordonnées de tous les pays dans le répertoire du service après-vente ci-joint.

FR 01 40 10 11 00
 B 070 222 141
 CH 0848 840 040

Avvertenze di sicurezza e pericolo

Prima di mettere in funzione l'apparecchio

Leggere attentamente le istruzioni per l'uso e il montaggio!

Contengono informazioni importanti su installazione, uso e manutenzione dell'apparecchio.

Il produttore declina ogni responsabilità per il mancato rispetto delle indicazioni e delle avvertenze contenute in queste Istruzioni per l'uso. Conservare tutti i documenti in caso sia necessario consultarli in seguito o per trasmetterli a un eventuale proprietario successivo.

Sicurezza tecnica

L'apparecchio contiene una piccola quantità di refrigerante R600a, compatibile con l'ambiente ma infiammabile. Durante il trasporto e il montaggio dell'apparecchio prestare attenzione a non danneggiare i tubi del circuito del refrigerante. Eventuali spruzzi di refrigerante possono incendiarsi oppure causare lesioni agli occhi.

In caso di danneggiamento

- tenere lontano dall'apparecchio fiamme libere o sorgenti di accensione,
- aerare bene il locale per alcuni minuti,
- spegnere l'apparecchio e staccare la spina,
- contattare il servizio di assistenza clienti.

Quanto più refrigerante contiene un apparecchio, tanto più grande deve essere il locale in cui si trova l'apparecchio. In ambienti troppo piccoli in caso di perdite si può formare una miscela infiammabile di gas e aria. Per ogni 8 g di refrigerante il volume minimo del locale deve essere pari a 1 m³. La quantità di refrigerante contenuta nell'apparecchio è indicata sulla targhetta di identificazione all'interno dell'apparecchio.

Qualora il cavo di alimentazione di questo apparecchio fosse danneggiato, deve essere sostituito dal produttore, dal servizio di assistenza clienti o da personale debitamente qualificato. L'installazione o eventuali riparazioni effettuate in modo non corretto possono rappresentare una grossa fonte di rischio per l'utente.

Gli interventi di riparazione devono essere effettuati unicamente dal produttore, dal servizio di assistenza clienti o da personale debitamente qualificato.

Utilizzare esclusivamente componenti originali forniti dal produttore. Solo per tali componenti il produttore garantisce che soddisfino i requisiti di sicurezza.

Una prolunga del cavo di alimentazione deve essere acquistata esclusivamente dal servizio di assistenza clienti.

Durante l'uso

- Non utilizzare mai apparecchi elettrici all'interno dell'apparecchio (ad es. apparecchi di riscaldamento, produttori di ghiaccio elettrici). Pericolo di esplosione!

- Non sbrinare né pulire mai l'apparecchio con una pulitrice a vapore! Il vapore può raggiungere i componenti elettrici e provocare un cortocircuito. Pericolo di scossa elettrica!
- Non utilizzare oggetti appuntiti o taglienti per rimuovere strati di brina o di ghiaccio. Si potrebbero danneggiare i tubi del refrigerante. Eventuali spruzzi di refrigerante possono incendiarsi oppure causare lesioni agli occhi.
- Non conservare nell'apparecchio prodotti contenenti gas propellenti infiammabili (ad es. bombolette spray) o sostanze esplosive. Pericolo di esplosione!
- Non usare impropriamente lo zoccolo, i cassetti estraibili, le porte ecc. come pedana d'appoggio oppure come sostegno.
- Per lo sbrinamento o la pulizia estrarre la spina di alimentazione o disattivare il fusibile. Estrarre direttamente la spina, senza tirare il cavo.
- Conservare alcol ad alta gradazione solo ermeticamente chiuso e in posizione verticale.
- Non sporcare le parti in materiale plastico e la guarnizione della porta con olio o grasso: potrebbero diventare porose.
- Non coprire né ostruire le aperture di aerazione e sfiato dell'apparecchio.
- Questo apparecchio può essere utilizzato da persone (bambini inclusi) con capacità fisiche, sensoriali o psichiche limitate o a cui manchino le necessarie conoscenze, solo sotto la sorveglianza di una persona responsabile della loro sicurezza o se sono state istruite con il presente manuale sull'uso dell'apparecchio.

- Non collocare nel vano congelatore liquidi in bottiglia o in lattina (in particolare bibite gassate). Bottiglie e lattine potrebbero scoppiare!
- Non mettere mai in bocca cibi congelati, subito dopo averli tolti dal vano congelatore. Pericolo di ustioni da freddo!
- Evitare di tenere in mano il cibo congelato, il ghiaccio o i tubi per l'evaporazione ecc. per un tempo prolungato. Pericolo di ustioni da freddo!

Prevenzione dei pericoli per bambini e persone a rischio

Sono esposti a rischi:

- bambini,
- persone con deficit fisici, psichici o con ridotte capacità sensoriali,
- persone che non dispongano di sufficienti conoscenze sull'uso sicuro dell'apparecchio.

Misure:

- assicurarsi che i bambini e le persone a rischio abbiano compreso i pericoli,
- una persona responsabile della sicurezza deve sorvegliare o guidare i bambini e le persone a rischio,
- solo bambini di età superiore agli 8 anni possono utilizzare l'apparecchio,
- durante la pulizia e la manutenzione sorvegliare i bambini,
- Non permettere che i bambini giochino con l'apparecchio.

Norme generali

L'apparecchio è idoneo

- per raffreddare e congelare gli alimenti,
- per preparare ghiaccio,
- per l'erogazione di acqua potabile.

Questo apparecchio è progettato solo per l'utilizzo fino ad un'altezza di massimo 2000 metri sul livello del mare.

Questo apparecchio è destinato all'uso domestico in abitazioni private e per l'ambiente domestico.

L'apparecchio è schermato contro i radiorischi in conformità alla direttiva UE 2004/108/CE.

L'ermeticità del circuito refrigerante è stata testata.

Questo prodotto è conforme alle norme di sicurezza pertinenti per gli apparecchi elettrici (EN 60335-2-24).

Avvertenze per lo smaltimento

Smaltimento dell'imballaggio

L'imballaggio protegge l'apparecchio da danni durante il trasporto. Tutti i materiali impiegati sono ecocompatibili e riutilizzabili. Si invita a collaborare: Si prega di smaltire l'imballaggio nel rispetto dell'ambiente.

Il rivenditore o l'amministrazione comunale forniscono informazioni sulle attuali possibilità di smaltimento.

Smaltimento apparecchio dismesso

Gli apparecchi dismessi non sono rifiuti senza valore! Se smaltiti in modo ecocompatibile, da essi si possono recuperare materiali utili.



Questo apparecchio dispone di contrassegno ai sensi della direttiva europea 2012/19/EU in materia di apparecchi elettrici ed elettronici dismessi (waste electrical and electronic equipment - WEEE). La direttiva detta i termini per il ritiro e il riciclaggio degli apparecchi dismessi, validi a livello europeo.



Avviso

Per apparecchi dismessi:

1. Estrarre la spina di alimentazione.
2. Tagliare il cavo di alimentazione ed eliminarlo insieme alla spina.
3. Non rimuovere i ripiani e contenitori, si evita così che i bambini possano entrare nell'apparecchio!
4. Impedire che i bambini giochino con l'apparecchio dismesso. Pericolo di soffocamento!

Gli apparecchi frigoriferi contengono refrigerante e, nell'isolamento, gas. Il refrigerante e i gas devono essere smaltiti in modo appropriato. Non danneggiare i tubi del circuito del refrigerante prima che l'apparecchio sia stato smaltito in modo appropriato.

Fornitura

Dopo aver rimosso l'imballaggio controllare che le parti non presentino eventuali danni da trasporto.

In caso di contestazioni, rivolgersi al negoziante dal quale è stato acquistato l'apparecchio oppure al nostro servizio di assistenza tecnica.

Nella fornitura sono compresi i seguenti componenti:

- Apparecchio fisso
- Equipaggiamento (in relazione al modello)
- Istruzioni per l'uso e il montaggio
- Libretto del servizio di assistenza tecnica
- Allegato di garanzia
- Informazioni sul consumo energetico e sui rumori
- Sacchetto con il materiale di montaggio

Predisposizione dell'apparecchio

Luogo di installazione

Un locale asciutto e con possibilità di ventilazione è idoneo come luogo di installazione. Il punto di installazione non dovrebbe essere esposto alla luce solare diretta o vicino a una fonte di calore, ad esempio un fornello, un calorifero, ecc. Se non si può evitare l'installazione vicino a una fonte di calore, utilizzare un idoneo pannello isolante oppure rispettare le seguenti distanze minime dalla fonte di calore:

- da una cucina elettrica o a gas 3 cm
- da cucine a petrolio o a carbone 30 cm.

Gli apparecchi dotati di maniglie devono distare dalla parete almeno 55 mm in modo tale che la porta possa essere aperta di 90°.

Prestare attenzione alla temperatura ambiente e alla ventilazione

Temperatura ambiente

L'apparecchio è progettato per una determinata classe climatica. In funzione della classe climatica, l'apparecchio può essere usato alle seguenti temperature ambiente.

La classe climatica è indicata sulla targhetta. Figura 12

| Classe climatica | Temperatura ambiente consentita |
|------------------|---------------------------------|
| SN | da +10 °C a 32 °C |
| n | da +16 °C a 32 °C |
| ST | da +16 °C a 38 °C |
| t | da +16 °C a 43 °C |

Avvertenza

Se la temperatura ambiente rientra negli intervalli della classe climatica indicata, l'apparecchio funziona perfettamente. Qualora l'apparecchio fosse azionato nella classe climatica SN a una temperatura ambiente inferiore potrebbero escludersi danni all'apparecchio fino a una temperatura di +5 °C.

Ventilazione

Figura 3

L'aria sulla parete posteriore e sulle pareti laterali dell'apparecchio si surriscalda. L'aria riscaldata deve poter essere rimossa senza ostacoli, altrimenti il motore di raffreddamento dovrebbe lavorare di più e questo comporterebbe un maggior consumo energetico. Quindi: Non coprire né ostruire le aperture di aerazione dell'apparecchio!

La distanza minima da tutti i lati deve essere di almeno 5.

Montaggio del distanziatore

Figura 4

Con le viti fissare i distanziatori forniti in dotazione nelle apposite aperture situate sul lato posteriore dell'apparecchio. In questo modo viene mantenuta la distanza minima dalla parete e viene garantita l'aerazione.

Qualora l'apparecchio fosse inclinato, è possibile che le porte non si chiudano correttamente.

Livellare l'apparecchio

Figura 5

Affinché l'apparecchio possa funzionare perfettamente occorre livellarlo con una livella a bolla d'aria.

Qualora l'apparecchio fosse inclinato, è possibile che le porte non si chiudano correttamente.

1. Collocare l'apparecchio nel luogo previsto.
2. Svitare i piedini anteriori finché non sono ben saldi al pavimento e allineare l'apparecchio anteriormente.
3. Servendosi di una bilancia idrostatica verificare se l'apparecchio è allineato in modo corretto.

Avvertenza

Affinché l'apparecchio non si muova, i piedini anteriori devono essere ben saldi al pavimento.

Allacciamento dell'apparecchio

Dopo l'installazione attendere almeno 1 ora prima di mettere in funzione l'apparecchio. Durante il trasporto può accadere che l'olio contenuto nel compressore si sposti nel sistema di raffreddamento.

Prima della messa in funzione pulire l'interno dell'apparecchio (vedere capitolo "Pulizia dell'apparecchio").

Allacciamento elettrico

La presa deve trovarsi nelle vicinanze dell'apparecchio ed essere facilmente accessibile anche dopo l'installazione dell'apparecchio.

L'apparecchio appartiene alla classe di protezione I. Collegare l'apparecchio a corrente alternata a 220-240 V/50 Hz mediante una presa installata a norma, dotata di un conduttore di terra. La presa di corrente deve essere protetta con un fusibile compreso tra 10-A a 16-A.

Per gli apparecchi destinati all'uso in paesi extraeuropei è necessario verificare se la tensione e il tipo di corrente indicati corrispondono ai valori della rete elettrica locale. Questi dati sono riportati sulla targhetta. Figura **12**

Avviso

L'apparecchio non deve mai essere collegato a spine elettroniche a risparmio energetico.

Per utilizzare il nostro apparecchio possono essere impiegati invertitori pilotati da rete o sinusoidali. Gli invertitori commutati dalla rete vengono utilizzati negli impianti fotovoltaici che vengono direttamente collegati alla rete elettrica pubblica. Utilizzare gli invertitori sinusoidali nel caso di soluzioni ad isola (ad es. sulle imbarcazioni oppure nelle baite di montagna) che non hanno un collegamento diretto alla rete elettrica.

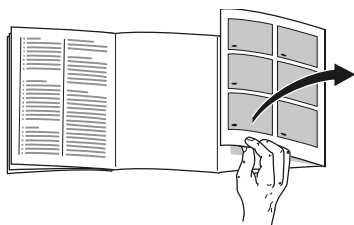
Montaggio maniglie

Figura **6**

Montare le maniglie soltanto quando l'apparecchio è posto sul luogo di collocazione ed è livellato.

1. Collocare il supporto nelle guide.
2. Inserire e stringere le viti.
3. Collocare le maniglie sul supporto e spingere verso il basso. L'etichetta "Top" deve essere in alto.
4. Inserire e stringere le viti.

Imparare a conoscere l'apparecchio



Aprire l'ultima pagina con le figure. Le presenti istruzioni per l'uso sono valide per diversi modelli dell'apparecchio. La dotazione dei modelli può variare. Sono possibili differenze rispetto alle illustrazioni.

Figura 1

- 1 Illuminazione
- 2 Ice twister
- 3 Ripiano nel frigorifero
- 4 Interruttore della luce
- 5 Scomparto della porta
- 6 Elemento di comando
- 7 Illuminazione
- 8 Ripiano nel congelatore
- 9 Scomparto fresco
- 10 Scomparto per frutta e verdura dotato di assorbiodori
- 11 Dispenser di acqua
- 12 Contenitore dell'acqua
- 13 Scomparto della porta per uova, tubetti e scatolette
- 14 Scomparto della porta per bottiglie grandi

Elemento di comando

Figura 2

- 1 **Tasto "freezer/super"**
 - Impostazione della temperatura nel congelatore
 - Attivazione e disattivazione della funzione "Congelamento rapido".
- 2 **Tasto "lock"**
Attivazione e disattivazione del blocco dei tasti.
- 3 **Tasto "alarm"**
Disattivazione del segnale acustico.
- 4 **Tasto "fridge/super"**
 - Impostazione della temperatura nel frigorifero
 - Attivazione e disattivazione della funzione "Raffreddamento super".
- 5 **Indicatore temperatura frigorifero**
Mostra la temperatura impostata per il frigorifero.
"super"
La funzione "Raffreddamento super" è attivata.
"alarm"
La funzione è attiva.
- 6 **Blocco dei tasti**
"lock"
Il blocco dei tasti è attivato.
- 7 **Indicatore temperatura congelatore**
Mostra la temperatura impostata per il congelatore.
"super"
La funzione "Congelamento rapido" è attivata.
"alarm"
La funzione è attiva.

Attivazione dell'apparecchio

Dopo il collegamento alla rete elettrica, l'apparecchio inizia a raffreddare. Con la porta aperta la luce è accesa.

Viene emesso un segnale acustico. Con il tasto "alarm" disattivare il segnale acustico.

Di fabbrica sono consigliate e impostate le seguenti temperature:

- Frigorifero: +4 °C
- Congelatore: -18 °C.

Avvertenze per il funzionamento

- Dopo l'attivazione possono trascorrere più ore prima che vengano raggiunte le temperature impostate.
- Mediante il sistema automatico Nofrost nel congelatore non si forma il ghiaccio. Non è più necessario effettuare lo sbrinamento.
- I lati anteriori dell'alloggiamento vengono in parte leggermente riscaldati. Ciò impedisce la formazione di condensa nella zona della guarnizione della porta.
- Qualora non si riuscisse ad aprire la porta del congelatore subito dopo averla chiusa, attendere un momento finché non si compensa la depressione formatasi nell'interno.

Impostazione della temperatura

Figura 2

Frigorifero

È possibile impostare la temperatura tra +2 °C a +8 °C.

Premere il tasto 4 "fridge/super" finché sull'indicatore 5 non compare la temperatura del frigorifero desiderata.

Viene memorizzato il valore impostato per ultimo.

Avvertenze

- Non conservare alimenti delicati a una temperatura superiore ai +4 °C.
- Per una breve conservazione degli alimenti può essere impostata una temperatura superiore (funzionamento a risparmio energetico).
- Se la porta viene aperta di frequente e se si devono conservare grandi quantità di alimenti, dovrebbe essere impostata una temperatura inferiore.

Congelatore

È possibile impostare la temperatura tra -15 °C a -22 °C.

Premere il tasto 1 "freezer/super" finché sull'indicatore 7 non compare la temperatura del congelatore desiderata.

Viene memorizzato il valore impostato per ultimo.

Raffreddamento super

Figura 2

In caso di raffreddamento super, il frigorifero viene raffreddato raggiungendo la temperatura più bassa.

Dopo ca. 40 minuti oppure se la temperatura nel frigorifero è di 2 °C al di sotto della temperatura impostata, il raffreddamento super si disattiva automaticamente.

Dopo viene ripristinata in automatico la temperatura impostata precedentemente.

Si consiglia il raffreddamento super in particolare:

- Prima della conservazione di una grande quantità di alimenti.
- Per il raffreddamento repentino di bibite.

Attivazione

Premere il tasto 4 "fridge/super" finché sull'indicatore 5 non compare "super".

Disattivazione

Premere il tasto 4 "fridge/super".

Congelamento rapido

Figura 2

Gli alimenti devono essere surgelati fino al centro il più rapidamente possibile affinché vengano conservati le vitamine, le sostanze nutritive, l'aspetto e il sapore.

Affinché durante l'introduzione di alimenti freschi non si verifichino aumenti di temperatura indesiderati, è necessario attivare il congelamento rapido qualche ora prima dell'introduzione di alimenti freschi. In generale bastano 4-6 ore. In caso d'impiego della capacità massima di congelamento sono necessarie 24 ore.

Dopo 48 ore l'apparecchio torna automaticamente alla temperatura impostata prima del congelamento rapido.

Attivazione

Premere il tasto 1 "freezer/super" finché sull'indicatore 7 non compare „super“.

Disattivazione

Premere il tasto 1 "freezer/super".

Blocco dei tasti

Figura 2

Se il blocco dei tasti è attivato, sono bloccati tutti i tasti dell'elemento di comando.

Eccezione: se il blocco dei tasti è attivato, il segnale acustico può essere disattivato con il tasto "alarm". Inoltre è ancora possibile estrarre dell'acqua dall'apparecchio.

Accensione e spegnimento

Premere il tasto 2 "lock".

Se il blocco dei tasti è attivato, sull'indicatore compare "lock".

Per la disattivazione, premere il tasto 2 "lock" per ca. 3 secondi.

Funzione allarme

Quando scatta l'allarme, viene emesso un segnale acustico e sull'indicatore compare "alarm".

Premere il tasto "alarm" per disattivare il segnale acustico. Figura 2/3

Allarme della porta

L'allarme della porta si attiva quando una delle porte dell'apparecchio resta aperta per più di 1 minuto.

Chiudendo la porta si disattiva il segnale acustico.

Allarme temperatura

L'allarme temperatura si attiva quando nel frigorifero o nel congelatore la temperatura è troppo alta e gli alimenti sono a rischio.

Nei seguenti casi è possibile che si attivi l'allarme anche se non vi è alcun pericolo per i cibi:

- alla messa in funzione dell'apparecchio,
- in caso di introduzione di grandi quantità di alimenti freschi.

Frigorifero

Sull'indicatore compare a destra, al di sotto della temperatura del frigorifero, "allarme".



Attenzione

In caso di dubbio non utilizzare più gli alimenti crudi.

Scaldare gli alimenti prima della consumazione.

Congelatore

Sull'indicatore compare a sinistra, al di sotto della temperatura del congelatore, "allarme".



Attenzione

Non congelare di nuovo i cibi scongelati o semiscongelati. È possibile congelare nuovamente un alimento scongelato soltanto dopo averlo cotto o arrostito. Non utilizzare più la durata massima di conservazione dell'alimento.

Volume utile

Le indicazioni relative al volume utile sono indicate sulla targhetta (vedere capitolo "Servizio di assistenza tecnica").

Frigorifero

Il frigorifero è ideale per la conservazione di piatti pronti, prodotti da forno, conserve, latte condensato, formaggio stagionato, frutta e verdura sensibile al freddo e frutti tropicali.

Durante la sistemazione osservare

Durante la sistemazione degli alimenti si consiglia di:

- Sistemare gli alimenti ben confezionati oppure coperti. Così si conservano l'aroma, il colore e la freschezza. Inoltre si evitano passaggi di gusto e alterazioni di colore delle parti di plastica.
- Lasciar raffreddare gli alimenti e le bevande calde prima di introdurli nell'apparecchio.
- Non bloccare i fori per la fuoriuscita dell'aria con gli alimenti per non limitare la circolazione dell'aria. Gli alimenti che vengono posizionati proprio davanti ai fori per la fuoriuscita dell'aria possono congelare a causa dell'aria fredda emessa.

Congelatore

Utilizzare il congelatore

- Per conservare alimenti surgelati.
- Per produrre cubetti di ghiaccio.
- Per congelare gli alimenti.

Avvertenza

Prestare attenzione a che la porta del congelatore sia sempre chiusa! Se la porta è aperta, il cibo si scongela e il congelatore si ricopre di uno strato spesso di ghiaccio. Inoltre: si verifica uno spreco di energia a causa di un consumo di corrente elevato!

Dopo la chiusura della porta del congelatore all'interno si crea una depressione. Il che provoca un rumore simile al risucchio. Attendere due-tre minuti finché non si compensa la depressione formatasi nell'interno.

Capacità di congelamento max.

I dati sulla capacità di congelamento max in 24 ore sono indicati sulla targhetta (vedere capitolo "Servizio di assistenza tecnica").

Congelamento e conservazione

Acquisto dei cibi surgelati

- L'imballaggio non deve essere danneggiato.
- Osservare la data di scadenza.
- La temperatura nel punto vendita deve essere -18 °C oppure inferiore.
- Trasportare gli alimenti surgelati possibilmente in una busta termica e disporli repentinamente nel congelatore.

Conservazione degli alimenti congelati

Se deve essere sistemata una quantità elevata di alimenti, è possibile rimuovere l'ice twister e il ripiano.

Affinché non venga compromessa la circolazione dell'aria all'interno dell'apparecchio, non ammassare gli alimenti sul bordo.

Congelamento di alimenti freschi

Per il congelamento, utilizzare solo alimenti freschi e in condizioni perfette.

Per conservare il più possibile il potere nutritivo, l'aroma e il colore, sbollentare le verdure prima di congelarle. Non è però necessario sbollentare le melanzane, i peperoni, le zucchine e gli asparagi.

Informazioni relative al congelamento e allo sbollentamento sono contenute all'interno dei manuali specifici.

Avvertenza

Non mettere a contatto alimenti che devono essere congelati con altri già surgelati.

- Gli alimenti adatti al congelamento sono:
prodotti da forno, pesce e frutti di mare, carne, selvaggine, pollame, verdure, frutta, erbe aromatiche, uova senza il guscio, latticini quali formaggio, burro e quark, cibi pronti e avanzi come zuppe, stufati, carne e pesce già cotti, piatti a base di patate, sformati e dolci.
- Gli alimenti non adatti al congelamento sono:
alcuni tipi di verdura che solitamente vengono consumati crudi, come l'insalata o i rapanelli, le uova con il guscio, grappoli di uva, mele, pere e pesche, uova sode, yogurt, latte rappreso, panna acida, creme fraîche e maionese.

Confezionamento di alimenti da surgelare

Impacchettare ermeticamente gli alimenti, affinché non perdano il loro sapore e non si secchino.

1. Introdurre gli alimenti nel sacchetto o nel contenitore.
2. Prima svuotare l'aria.
3. Chiudere la confezione ermeticamente.
4. Riportare sulla confezione il contenuto e la data di congelamento.

Come imballaggio si addicono:

pellicola in plastica, pellicola tubolare in polietilene, pellicola in alluminio e vaschette per congelare.

Questi prodotti sono reperibili nei negozi specializzati.

Come imballaggio non si addicono:

carta da pacchi, carta pergamena, cellofan, sacchetti per la spazzatura e sacchetti della spesa usati.

Per la chiusura sono indicati:

anelli in gomma, clip in plastica, spago, nastro adesivo resistente al freddo, ecc.

Sacchetti e pellicole tubolari in polietilene possono essere saldati con una sigillatrice.

Durata di conservazione dei cibi congelati

Dipende dal tipo di alimento.

A una temperatura di -18 °C:

- pesce, salsicce, piatti pronti, prodotti da forno:
fino a 6 mesi
- formaggio, pollame, carne:
fino a 8 mesi
- verdura, frutta:
fino a 12 mesi

Scongelamento dei cibi congelati

A seconda del tipo di alimento e dell'utilizzo, si può scegliere tra le seguenti possibilità:

- a temperatura ambiente
- nel frigorifero
- nel forno elettrico, con o senza ventola ad aria calda
- nel forno a microonde.

Attenzione

Non congelare di nuovo i cibi scongelati o semiscongelati. È possibile congelare nuovamente un alimento scongelato soltanto dopo averlo cotto o arrostito.

Non utilizzare più completamente la durata di conservazione massima degli alimenti congelati.

Dispenser del ghiaccio e dell'acqua

Il dispenser del ghiaccio e dell'acqua consente di prelevare dall'apparecchio cubetti di ghiaccio e acqua fresca.

Attenzione alla qualità dell'acqua potabile

Tutti i materiali impiegati per la realizzazione del dispenser sono inodori e insapori.

Qualora l'acqua avesse un sapore insolito, le cause possono essere le seguenti:

- contenuto di minerali e cloro dell'acqua potabile
- freschezza dell'acqua potabile.

Quando per lungo tempo non viene prelevata acqua, l'acqua può assumere un sapore "di stantio". In questo caso svuotare il contenitore dell'acqua e riempirlo con acqua fresca.

Prelievo di ghiaccio

Figura **7**

1. Estrarre il contenitore dell'acqua.
2. Aprire il dispositivo di riempimento del contenitore dell'acqua.

3. Versare acqua fresca fino alla tacca nel contenitore dell'acqua e chiudere il dispositivo di riempimento.

Avvertenza

Asciugare accuratamente la parte esterna e l'apertura di scarico inferiore del contenitore dell'acqua.

4. Inserire il contenitore dell'acqua nell'ice twister.
5. Quando i cubetti di ghiaccio sono congelati, ruotare verso destra la maniglia.
I cubetti di ghiaccio si staccano e cadono nel contenitore del ghiaccio.
6. Rimuovere il contenitore del ghiaccio e prelevare i cubetti di ghiaccio.

Prelievo di acqua

Figura **8**

1. Aprire il dispositivo di riempimento del contenitore dell'acqua.
2. Versare acqua fresca fino alla tacca nel contenitore dell'acqua.

Avvertenza

Riempire il serbatoio solo con acqua.

3. Premere il bicchiere contro il cuscinetto di prelievo.

Dotazione

È possibile modificare i ripiani del vano interno e della porta a seconda delle esigenze:

- Sollevare i ripiani ed estrarli anteriormente.
- Sollevare i ripiani della porta e rimuoverli.

Scomparto fresco

Nello scomparto fresco si raggiungono temperature inferiori rispetto al frigorifero. Si possono raggiungere temperature al di sotto dello 0 °C.

Ideale per la conservazione di pesce, carne e salsicce. Non è indicata per insalate, verdure e alimenti sensibili al freddo.

Affinché lo scomparto fresco funzioni correttamente, deve restare chiuso e il ripiano al di sopra deve essere posizionato correttamente.

Filtro assorbiodori

Utilizzando il filtro assorbiodori si evitano odori sgradevoli all'interno dello scomparto fresco.

Suggerimento: conservare alimenti che emettono un odore intenso all'interno di contenitori a chiusura ermetica.

Qualora l'effetto del filtro assorbiodori diminuisca, può essere ripristinato con facilità:

1. Rimuovere il filtro assorbiodori.
2. Asciugare con un asciugacapelli.
3. Disporre il filtro assorbiodori al sole, per eliminare i cattivi odori rimasti (dissolvimento mediante raggi ultravioletti).
4. Applicare nuovamente il filtro assorbiodori.

Scomparto della verdura dotato di sensore dell'umidità

Figura 9

Per creare il clima adatto per la conservazione di verdura, insalata e frutta, è possibile regolare l'umidità nello scomparto per la verdura anche a seconda della quantità presente all'interno.

Quantità ridotta di alimenti - portare il regolatore a sinistra.

Quantità consistente di alimenti - portare il regolatore a destra.

Attivazione e disattivazione dell'apparecchio

Spegnimento dell'apparecchio

Disattivare il fusibile o estrarre la spina dalla presa.

L'indicatore della temperatura si spegne e il motore di raffreddamento si attiva.

Sospensione dell'uso dell'apparecchio

Se non si usa l'apparecchio per un periodo di tempo prolungato:

1. Disattivare il fusibile o estrarre la spina dalla presa.
2. Pulire l'apparecchio.
3. Lasciare aperta la porta dell'apparecchio.

Pulizia dell'apparecchio

Attenzione

- Non utilizzare detergenti abrasivi, solventi o contenenti acidi.
- Non utilizzare detergenti aggressivi o spugnette abrasive.
Sussiste la possibilità che le superfici in metallo vengano corrose.
- Non lavare mai i cassetti e i ripiani in lavastoviglie.
In quanto potrebbero deformarsi.

L'acqua per la pulizia non deve entrare in contatto con

- le fessure della porta nella parte anteriore del vano congelatore,
- gli elementi di comando,
- e l'illuminazione.

Procedere come indicato di seguito:

1. Prima della pulizia estrarre la spina di alimentazione o disattivare il fusibile!
2. Togliere il cibo congelato e riporlo in un luogo fresco. Disporre l'accumulatore di freddo sugli alimenti (qualora fornito in dotazione).
3. Pulire l'apparecchio con un panno morbido, acqua tiepida e un po' di detersivo con pH neutro. Fare in modo che l'acqua di lavaggio non penetri nel pannello di comando.
4. Lavare la guarnizione della porta solo con acqua e asciugare accuratamente.
5. Dopo la pulizia, collegare nuovamente l'apparecchio alla rete e attivarlo.
6. Riporre al suo interno gli alimenti.

Dotazione

Per effettuare la pulizia è possibile rimuovere tutti i componenti estraibili dell'apparecchio.

Rimozione dei ripiani

Sollevarli e estrarli anteriormente.

Rimozione dei ripiani della porta

Sollevarli e rimuoverli.

Estrazione del contenitore del ghiaccio e del contenitore dell'acqua dell'ice twister

Figura **10**

1. Rimuovere il contenitore dell'acqua e il contenitore del ghiaccio.
2. Rimuovere la copertura del contenitore dell'acqua e svuotarlo.
3. Lavare con acqua pulita i singoli componenti del contenitore dell'acqua e del contenitore del ghiaccio e asciugare con un panno.

Estrazione del contenitore dell'acqua

Figura **11**

1. Rimuovere il contenitore dell'acqua.
2. Rimuovere la copertura del contenitore dell'acqua e svuotarlo.
3. Lavare con acqua pulita i singoli componenti del contenitore dell'acqua e asciugare con un panno.

Illuminazione (LED)

L'apparecchio è dotato di un'illuminazione LED che non richiede manutenzione.

Gli interventi di riparazione dell'illuminazione vanno eseguiti esclusivamente dal servizio di assistenza tecnica o da tecnici specializzati autorizzati.

Risparmio energetico

- Collocare l'apparecchio in un locale asciutto e con possibilità di ventilazione! L'apparecchio non deve essere esposto alla luce solare diretta o vicino a una fonte di calore (ad es. calorifero, fornello).
Utilizzare eventualmente un pannello isolante.
- Lasciar raffreddare gli alimenti e le bevande calde prima di introdurli nell'apparecchio!
- Disporre la pietanza da scongelare all'interno del frigorifero. Si sfrutta così il freddo del cibo congelato per raffreddare gli alimenti nel frigorifero.
- Aprire l'apparecchio per il minor tempo possibile.
- La parte posteriore dell'apparecchio deve essere pulita di tanto in tanto con un aspirapolvere o un pennellino, per evitare un elevato consumo energetico.

Rumori di funzionamento

Rumori normali

Ronzio

Motori in funzione (ad es. compressore, ventilatore).

Gorgoglio, scroscio o fruscio

Il refrigerante scorre attraverso i raccordi.

Breve scatto

Motore, interruttore ed elettrovalvole si attivano/disattivano.

Scricchiolio

È causato dallo sbrinamento automatico.

Eliminazione dei rumori

L'apparecchio non si trova in piano

Si prega di allineare l'apparecchio con l'ausilio di una bilancia idrostatica. A questo scopo utilizzare i piedini regolabili o collocarvi qualcosa sotto.

L'apparecchio è "a contatto"

Allontanare l'apparecchio dai mobili o dagli apparecchi con i quali è a contatto.

I contenitori o i ripiani traballano o sono incastrati

Controllare le parti estraibili ed eventualmente inserirle di nuovo.

Le bottiglie o i contenitori si toccano

Allontanare leggermente le bottiglie o i contenitori l'uno dall'altro.


Eliminazione di piccole anomalie

Prima di rivolgersi al servizio di assistenza tecnica:

verificare se non è possibile eliminare autonomamente l'anomalia, sulla base delle seguenti indicazioni.

I costi del diritto di chiamata al servizio di assistenza tecnica sono a carico del cliente— anche durante il periodo di garanzia!

| Guasto | Possibile causa | Rimedio |
|--|---|--|
| La temperatura nel vano congelatore è troppo alta. | Le basse temperature del congelatore possono comportare temperature inferiori anche nel frigorifero. Si tratta di un fenomeno relativo alla tecnica del freddo. | Impostare una temperatura leggermente maggiore all'interno del frigorifero. Qualora ciò non bastasse, ad es. in caso di una temperatura ambiente bassa, impostare una temperatura maggiore anche nel congelatore. |
| | Frequente apertura della porta dell'apparecchio. | Non aprire l'apparecchio se non è necessario. |
| | Le aperture di aerazione sono coperte. | Rimuovere gli ostacoli. |
| Temperatura diversa da quella impostata. | Congelamento di una grande quantità di alimenti. | Non superare la capacità di congelamento max. |
| | | In alcuni casi si ripristina spegnendo l'apparecchio per 5 minuti. Se la temperatura è troppo alta, dopo qualche ora controllare se vi sono leggere variazioni. Se la temperatura è troppo fredda, controllarla di nuovo il giorno successivo. |

| Guasto | Possibile causa | Rimedio |
|----------------------------------|---|---|
| L'illuminazione non funziona. | L'illuminazione LED è difettosa. | Vedere capitolo "Illuminazione (LED)". |
| | L'apparecchio è stato aperto per troppo tempo. L'illuminazione si disattiva dopo ca. 10 minuti. | Dopo la chiusura e l'apertura dell'apparecchio la luce si accende nuovamente. |
| | L'interruttore della luce è bloccato. | Verificare se è possibile muovere l'interruttore della luce. Figura  /4 |
| Non si accende alcun indicatore. | Qualora l'apparecchio non venga utilizzato per un certo periodo di tempo, l'indicatore del pannello comandi passa alla modalità risparmio energetico. | Non appena l'apparecchio viene nuovamente utilizzato, ad es. aprendo le porte, l'indicatore passa nuovamente all'illuminazione normale. |
| | Interruzione di corrente; il fusibile è scattato; la spina di alimentazione non è ben inserita. | Collegare la spina di alimentazione. Verificare se c'è la corrente e controllare i fusibili. |

| Guasto | Possibile causa | Rimedio |
|---|--|--|
| Viene emesso un segnale acustico e sull'indicatore compare "alarm". | Una delle porte dell'apparecchio è rimasta aperta per più di 1 minuto. | Chiudere le porte dell'apparecchio. |
| | Sull'indicatore compare a destra, al di sotto della temperatura del frigorifero, "allarme". Nel frigorifero la temperatura è troppo alta. | Premere il tasto "alarm" per disattivare il segnale acustico. Figura 2/3 Avvertenza Qualora la temperatura all'interno del frigorifero fosse troppo alta, scaldare gli alimenti prima della consumazione. In caso di dubbio non utilizzare più gli alimenti. |
| | Sono stati conservati troppi alimenti in una volta sola all'interno del frigorifero. | Prima della conservazione di una grande quantità di alimenti attivare la funzione "Raffreddamento super". |
| | Sull'indicatore compare a sinistra, al di sotto della temperatura del congelatore, "allarme". | Premere il tasto "alarm" per disattivare il segnale acustico. Figura 2/3 Avvertenza Non congelare di nuovo i cibi scongelati o semiscongelati. È possibile congelare nuovamente un alimento scongelato soltanto dopo averlo cotto o arrostito. Non utilizzare più la durata massima di conservazione dell'alimento. |
| | Sono stati conservati troppi alimenti in una volta sola all'interno del congelatore. | Non superare la capacità di congelamento massima. Prima della conservazione di una grande quantità di alimenti attivare la funzione "Congelamento rapido". |
| | Le aperture di aerazione sono coperte. | Rimuovere gli ostacoli. |

| Guasto | Possibile causa | Rimedio |
|---|--|---|
| Durante il riempimento del contenitore dell'acqua dell'ice twister fuoriesce acqua dalla parte inferiore. | In corrispondenza dell'apertura di scarico del contenitore dell'acqua si è formato uno strato di ghiaccio. | Pulire il contenitore dell'acqua, a tale scopo consultare il capitolo Pulizia dell'apparecchio. |

Servizio di assistenza tecnica

È possibile trovare il servizio di assistenza tecnica più vicino consultando l'elenco telefonico oppure l'elenco dei servizi di assistenza. Al servizio di assistenza bisogna comunicare il numero del prodotto (E) e il numero di fabbricazione (FD) dell'apparecchio.

Questi dati sono riportati sulla targhetta. Figura 12

Per evitare viaggi inutili, ricordarsi di indicare sempre il numero del prodotto e il numero di fabbricazione. In questo modo è possibile evitare le conseguenti spese supplementari.

Riparazione e assistenza in caso di anomalie

È possibile trovare i contatti di tutti i Land nell'elenco dei servizi di assistenza tecnica allegato.

| | | |
|----|--------------|-------------|
| I | 800-829120 | Linea verde |
| CH | 0848 840 040 | |

Υποδείξεις ασφαλείας και προειδοποιητικές υποδείξεις

Προτού θέσετε τη συσκευή σε λειτουργία

Διαβάστε προσεκτικά τις οδηγίες χρήσης και συναρμολόγησης! Αυτές περιλαμβάνουν σημαντικές πληροφορίες για την τοποθέτηση, χρήση και συντήρηση της συσκευής.

Ο κατασκευαστής δεν ευθύνεται, όταν αγνοήσετε τις υποδείξεις και τις προειδοποιήσεις στις οδηγίες χρήσης. Φυλάξτε όλα τα έντυπα για μια τυχόν μετέπειτα χρήση ή για τον επόμενο χρήστη.

Τεχνική ασφάλεια

Η συσκευή περιέχει σε μικρή ποσότητα το φιλικό προς το περιβάλλον αλλά εύφλεκτο ψυκτικό μέσο R600a. Προσέχετε κατά τη μεταφορά ή τη συναρμολόγηση, να μην υποστούν ζημιά οι σωλήνες του κυκλώματος ψυκτικού μέσου. Το εκτοξευόμενο έξω ψυκτικό μέσο μπορεί να οδηγήσει σε τραυματισμούς των ματιών ή να αναφλεχτεί.

Σε περίπτωση ζημιάς

- Κρατάτε ανοιχτή φωτιά ή πηγές ανάφλεξης μακριά από τη συσκευή,
- Εξαερώστε καλά το χώρο για μερικά λεπτά,
- Απενεργοποιήστε τη συσκευή και τραβήξτε το φιλ από την πρίζα,
- Ειδοποιήστε το σέρβις πελατών.

Όσο περισσότερο ψυκτικό μέσο βρίσκεται σε μια συσκευή, τόσο μεγαλύτερος πρέπει να είναι ο χώρος, στον οποίο βρίσκεται η συσκευή. Στους πολύ μικρούς χώρους σε περίπτωση μιας διαρροής μπορεί να δημιουργηθεί ένα εύφλεκτο μείγμα αερίου-αέρα. Για κάθε 8 γρ. ψυκτικού μέσου πρέπει να διαθέτει ο χώρος το ελάχιστο 1 m³ όγκου. Η ποσότητα του ψυκτικού μέσου της συσκευής σας βρίσκεται στην πινακίδα τύπου στο εσωτερικό της συσκευής.

Όταν το καλώδιο σύνδεσης στο δίκτυο του ρεύματος αυτής της συσκευής υποστεί ζημιά, πρέπει να αντικατασταθεί από τον κατασκευαστή, το σέρβις πελατών ή ένα αντίστοιχα ειδικευμένο άτομο. Οι μη ενδεδειγμένες εγκαταστάσεις και επισκευές μπορούν να θέσουν το χρήστη σε σοβαρό κίνδυνο.

Οι επισκευές επιτρέπεται να εκτελούνται μόνο από τον κατασκευαστή, το σέρβις πελατών ή ένα αντίστοιχα ειδικευμένο άτομο.

Επιτρέπεται να χρησιμοποιηθούν μόνο γνήσια εξαρτήματα του κατασκευαστή. Μόνο με αυτά τα εξαρτήματα εξασφαλίζει ο κατασκευαστής, ότι πληρούνται οι απαιτήσεις ασφαλείας.

Η προμήθεια μιας επέκτασης του καλωδίου σύνδεσης στο δίκτυο του ρεύματος επιτρέπεται μόνο μέσω του σέρβις πελατών.

Κατά τη χρήση

- Μη χρησιμοποιείτε ποτέ ηλεκτρικές συσκευές μέσα στη συσκευή (π.χ. θερμάστρες, ηλεκτρικούς παρασκευαστές πάγου) Κίνδυνος έκρηξης!
- Μη χρησιμοποιείτε ποτέ για την απόψυξη ή τον καθαρισμό της συσκευής μια συσκευή καθαρισμού εκτόξευσης ατμού (ατμοκαθαριστής)! Ο ατμός μπορεί να διεισδύσει στα ηλεκτρικά εξαρτήματα και να προκαλέσει βραχυκύκλωμα. Κίνδυνος ηλεκτροπληξίας!
- Μη χρησιμοποιείτε μυτερά κοφτερά αντικείμενα, για την αφαίρεση πάχνης και στρωμάτων πάγου. Μπορείτε έτσι να προξενήσετε ζημιά τους σωλήνες του ψυκτικού μέσου. Το εκτοξευόμενο έξω ψυκτικό μέσο μπορεί να οδηγήσει σε τραυματισμούς των ματιών ή να αναφλεχτεί.
- Μην αποθηκεύετε μέσα στη συσκευή προϊόντα με εύφλεκτα προωθητικά αέρια (π.χ. κουτιά σπρέι) και εκρηκτικές ύλες. Κίνδυνος έκρηξης!
- Μη χρησιμοποιείτε τη βάση, τα συρταρωτά εξαρτήματα, τις πόρτες κτλ. ως σκαλοπάτια ή στηρίγματα.
- Για την απόψυξη και τον καθαρισμό τραβήξτε το φιν από την πρίζα ή κατεβάστε/ξεβιδώστε την ασφάλεια. Πιάστε και τραβήξτε το φιν από την πρίζα, όχι το καλώδιο σύνδεσης.
- Αποθηκεύετε τα οινόπνευματώδη ποτά, με μεγάλη περιεκτικότητα σε οινόπνευμα, μόνο κλεισμένα στεγανά και όρθια.
- Μη ρυπαίνετε τα πλαστικά μέρη και την τσιμούχα της πόρτας με λάδι ή λίπος. Διαφορετικά τα πλαστικά μέρη και η τσιμούχα της πόρτας καθίστανται πορώδη.

- Μην καλύπτετε ποτέ τα ανοίγματα αερισμού και εξαερισμού της συσκευής ή μην τοποθετείτε μπροστά κανένα αντικείμενο.
- Αυτή η συσκευή επιτρέπεται να χρησιμοποιηθεί από άτομα (συμπεριλαμβανομένων των παιδιών) με περιορισμένες φυσικές, αισθητήριες ή πνευματικές ικανότητες ή με ανεπαρκείς γνώσεις μόνο, όταν αυτά τα άτομα επιτηρούνται από ένα αρμόδιο για την ασφάλειά τους άτομο ή έχουν λάβει οδηγίες από αυτό το άτομο, σχετικά με τη χρήση της συσκευής.
- Στο χώρο κατάψυξης μην αποθηκεύετε καθόλου υγρά σε φιάλες και κουτιά (ιδιαίτερα τα ποτά που περιέχουν ανθρακικό οξύ). Οι φιάλες και τα κουτιά μπορούν να σπάσουν!
- Μη βάζετε ποτέ στο στόμα σας κατεψυγμένα τρόφιμα αμέσως, μετά την αφαίρεσή τους από το χώρο κατάψυξης. Κίνδυνος κρουοπαγήματος!
- Αποφεύγετε να κρατάτε με τα χέρια σας για μεγάλο διάστημα κατεψυγμένα τρόφιμα, πάγο ή τους σωλήνες του εξατμιστή κτλ. Κίνδυνος κρουοπαγήματος!

Αποφυγή των κινδύνων για τα παιδιά και τα ευάλωτα άτομα

Ευάλωτα άτομα είναι:

- Παιδιά,
- Άτομα, τα οποία έχουν περιορισμένες σωματικές, διανοητικές ικανότητες ή περιορισμένη αντίληψη,
- Άτομα, τα οποία δεν έχουν επαρκείς γνώσεις σχετικά με τον ασφαλή χειρισμό της συσκευής.

Μέτρα:

- Βεβαιωθείτε, ότι τα παιδιά και τα ευάλωτα άτομα έχουν κατανοήσει τους κινδύνους,
- Ένα υπεύθυνο για την ασφάλεια άτομο πρέπει να επιβλέπει ή να καθοδηγεί τα παιδιά και τα ευάλωτα άτομα στη συσκευή,
- Επιτρέψτε τη χρήση της συσκευής μόνο σε παιδιά από 8 ετών και πάνω,
- Κατά τον καθαρισμό και τη συντήρηση επιβλέπετε τα παιδιά,
- Μην αφήνετε ποτέ τα παιδιά να παίζουν με τη συσκευή.

Γενικές διατάξεις

Η συσκευή είναι κατάλληλη για

- την ψύξη και την κατάψυξη τροφίμων,
- την παρασκευή παγόκυβων (παγάκια),
- την παροχή πόσιμου νερού.

Αυτή η συσκευή προορίζεται για χρήση μέχρι ένα μέγιστο ύψος 2.000 μέτρων πάνω από την επιφάνεια της θάλασσας.

Αυτή η συσκευή προορίζεται για χρήση στο σπίτι και στο οικιακό περιβάλλον.

Η συσκευή φέρει αντιπαρασιτική διάταξη σύμφωνα με την οδηγία της ΕΕ 2004/108/EK.

Η στεγανότητα του κυκλώματος ψύξης έχει ελεγχθεί.

Αυτή η συσκευή ανταποκρίνεται στους σχετικούς κανονισμούς ασφαλείας για ηλεκτρικές συσκευές (EN 60335-2-24).

Υποδείξεις για την απόσυρση

Απόσυρση της συσκευασίας

Η συσκευασία προστατεύει τη συσκευή σας από ζημιές μεταφοράς. Όλα τα χρησιμοποιούμενα υλικά είναι φιλικά προς το περιβάλλον και ανακυκλώνόμενα. Βοηθήστε παρακαλώ και εσείς: Αποσύρετε τη συσκευασία σύμφωνα με τους κανόνες προστασίας του περιβάλλοντος.

Πληροφορηθείτε παρακαλώ για τους ισχύοντες τρόπους απόσυρσης στο ειδικό κατάστημα που αγοράσατε τη συσκευή ή στις υπηρεσίες του δήμου.

Απόσυρση της παλιάς συσκευής

Οι παλιές συσκευές δεν αποτελούν άχρηστα απορρίμματα! Με μια φιλική προς το περιβάλλον απόσυρση επανακτούνται πολύτιμες πρώτες ύλες.



Αυτή η συσκευή είναι χαρακτηρισμένη σύμφωνα με την ευρωπαϊκή οδηγία 2012/19/EU περί ηλεκτρικών και ηλεκτρονικών παλιών συσκευών (waste electrical and electronic equipment - WEEE). Η οδηγία δίνει το πλαίσιο για μια απόσυρση και αξιοποίηση των παλιών συσκευών, με ισχύ σε όλη την ΕΕ.

Προειδοποίηση

Στις άχρηστες πλέον συσκευές:

1. Τραβήξτε το φικ από την πρίζα.
2. Κόψτε το καλώδιο σύνδεσης στο δίκτυο του ηλεκτρικού ρεύματος και αφαιρέστε το μαζί με το φικ.
3. Μην απομακρύνετε τα ράφια και τα δοχεία, για να μην μπορούν να μπουν εύκολα τα παιδιά μέσα στη συσκευή!
4. Μην αφήνετε τα παιδιά να παίζουν με την άχρηστη συσκευή. Κίνδυνος ασφυξίας!

Οι ψυκτικές συσκευές περιλαμβάνουν ψυκτικό μέσο και στη μόνωση αέρια. Το ψυκτικό μέσο και τα αέρια πρέπει να αποσύρονται ενδεδειγμένα. Μην προξενήσετε ζημιά στους σωλήνες του κυκλώματος του ψυκτικού μέσου μέχρι τη σωστή απόσυρση.

Υλικά παράδοσης

Μετά την αφαίρεση από τη συσκευασία, ελέγξτε όλα τα μέρη για τυχόν ζημιές μεταφοράς.

Απευθυνθείτε σε περίπτωση διαμαρτυρίας στον έμπορα, που αγорάσατε τη συσκευή ή στο το σέρβις πελατών της εταιρείας μας.

Η παράδοση αποτελείται από τα ακόλουθα μέρη:

- Ανεξάρτητη συσκευή
- Εξοπλισμός (ανάλογα το μοντέλο)
- Οδηγίες χρήσης και συναρμολόγησης
- Εγχειρίδιο σέρβις πελατών
- Έντυπο εγγύησης
- Πληροφορίες για την κατανάλωση ενέργειας και το θόρυβο
- Σακούλα με υλικά συναρμολόγησης

Τοποθέτηση της συσκευής

Θέση τοποθέτησης

Ως θέση τοποθέτησης είναι κατάλληλος ένας στεγνός, αεριζόμενος χώρος. Η θέση τοποθέτησης δεν πρέπει να είναι άμεσα εκτεθειμένη στην ηλιακή ακτινοβολία και δεν πρέπει να βρίσκεται κοντά σε πηγή θερμότητας, όπως εστία, θερμαντικό σώμα κτλ. Εάν η τοποθέτηση δίπλα σε μια πηγή θερμότητας είναι αναπόφευκτη, χρησιμοποιήστε μια κατάλληλη μονωτική πλάκα ή τηρήστε τις ακόλουθες ελάχιστες αποστάσεις από την πηγή θερμότητας:

- Από ηλεκτρικές κουζίνες ή εστίες αερίου 3 cm.
- Από εστίες πετρελαίου ή κάρβουνου 30 cm.

Οι συσκευές με πρόσθετες μη ενσωματωμένες λαβές χρειάζονται στην πλευρά που ανοίγει η πόρτα το ελάχιστο 55 mm απόσταση από τον τοίχο, για να μπορεί να ανοίγει η πόρτα 90°.

Προσοχή στη θερμοκρασία χώρου και στον αερισμό

Θερμοκρασία χώρου

Η συσκευή είναι κατασκευασμένη για μια ορισμένη κατηγορία κλίματος. Ανάλογα με την κατηγορία κλίματος μπορεί η συσκευή να λειτουργήσει στις ακόλουθες θερμοκρασίες χώρου.

Η κατηγορία κλίματος βρίσκεται στην πινακίδα τύπου. Εικ. 12

| Κατηγορία κλίματος | Επιτρεπτή θερμοκρασία περιβάλλοντος |
|--------------------|-------------------------------------|
| SN | +10 °C έως 32 °C |
| N | +16 °C έως 32 °C |
| ST | +16 °C έως 38 °C |
| T | +16 °C έως 43 °C |

Υπόδειξη

Η συσκευή είναι σε πλήρη ικανότητα λειτουργίας ενός των ορίων θερμοκρασίας της αναφερόμενης κατηγορίας κλίματος. Όταν μια συσκευή της κατηγορίας κλίματος SN λειτουργεί σε χαμηλότερες θερμοκρασίες χώρου, μπορούν να αποκλειστούν οι ζημιές στη συσκευή μέχρι και μια θερμοκρασία από +5 °C.

Αερισμός

Εικ. 3

Ο αέρας στο πίσω τοίχωμα και στα πλευρικά τοιχώματα της συσκευής ζεσταίνεται. Ο ζεσταμένος αέρας πρέπει να μπορεί να διαφεύγει ελεύθερα. Διαφορετικά η ψυκτική μηχανή πρέπει να λειτουργήσει με μεγαλύτερη ισχύ. Αυτό αυξάνει την κατανάλωση ρεύματος. Γι' αυτό: Μην καλύπτετε ποτέ ούτε να τοποθετείτε αντικείμενα μπροστά από τα ανοίγματα αερισμού και εξαερισμού!

Η ελάχιστη απόσταση απ' όλες τις πλευρές πρέπει να είναι το ελάχιστο 5 cm.

Συναρμολόγηση των αποστατών

Εικ. 4

Στερεώστε τους συνημμένους αποστάτες με τις βίδες στα προβλεπόμενα για το σκοπό αυτό ανοίγματα στην πίσω πλευρά της συσκευής. Έτσι διατηρείται η ελάχιστη απόσταση από τον τοίχο και εξασφαλίζεται ο εξαερισμός.

Όταν η συσκευή γέρνει, μπορεί να έχει ως αποτέλεσμα, να μην κλείνουν σωστά οι πόρτες.

Ευθυγράμμιση της συσκευής

Εικ. 5

Για την απρόσκοπτη λειτουργία πρέπει να ευθυγραμμιστεί η συσκευή με ένα αλφάδι.

Όταν η συσκευή γέρνει, μπορεί να έχει ως αποτέλεσμα, να μην κλείνουν σωστά οι πόρτες.

1. Τοποθετήστε τη συσκευή στην προβλεπόμενη θέση.
2. Ξεβιδώστε τα μπροστινά πόδια, μέχρι να πατούν σταθερά στο δάπεδο και ευθυγραμμίστε μπροστά τη συσκευή.
3. Με ένα αλφάδι ελέγξτε, εάν η συσκευή είναι ευθυγραμμισμένη οροζόντια.

Υπόδειξη

Για να μην κυλάει η συσκευή, πρέπει τα μπροστινά πόδια να πατούν σταθερά στο δάπεδο.

Σύνδεση της συσκευής

Μετά την τοποθέτηση της συσκευής περιμένετε το ελάχιστο 1 ώρα, ώσπου να τεθεί η συσκευή σε λειτουργία. Κατά τη μεταφορά το λάδι που υπάρχει στο συμπιεστή μπορεί να μετακινηθεί στο ψυκτικό σύστημα.

Πριν τη θέση της συσκευής για πρώτη φορά σε λειτουργία καθαρίστε τον εσωτερικό χώρο της συσκευής (βλέπε στο κεφάλαιο "Καθαρισμός της συσκευής").

Ηλεκτρική σύνδεση

Η πρίζα πρέπει να βρίσκεται κοντά στη συσκευή και να είναι ελεύθερα προσιτή ακόμα και μετά την τοποθέτηση της συσκευής.

Η συσκευή αντιστοιχεί στην κατηγορία προστασίας I. Συνδέστε τη συσκευή σε εναλλασσόμενο ρεύμα 220-240 V/50 Hz μέσω μιας πρίζας με ουδέτερο αγωγό προστασίας (πρίζα σούκο), εγκατεστημένης σύμφωνα με τους κανονισμούς. Η πρίζα πρέπει να είναι ασφαλισμένη με μια ασφάλεια 10 A μέχρι 16 A.

Στις συσκευές, που διατίθενται σε μη ευρωπαϊκές χώρες, πρέπει να ελέγχεται στην πινακίδα τύπου, εάν η αναφερόμενη τάση και το είδος του ρεύματος ταυτίζονται με τις τιμές του υπάρχοντος δικτύου ρεύματος. Αυτά τα στοιχεία θα τα βρείτε στην πινακίδα τύπου. Εικ. **12**

Προειδοποίηση

Σε καμία περίπτωση δεν επιτρέπεται να συνδεθεί η συσκευή σε ηλεκτρονικούς συνδέσμους εξοικονόμησης ενέργειας.

Για τη χρήση των συσκευών μας μπορούν να χρησιμοποιηθούν αντιστροφείς ημιτόνου και αντιστροφείς δικτύου. Οι αντιστροφείς δικτύου χρησιμοποιούνται στις εγκαταστάσεις φωτοβολταϊκών, οι οποίες συνδέονται απευθείας στο δημόσιο δίκτυο του ρεύματος. Στις λύσεις νησίδας (π.χ. στα σκάφη ή στα ορεινά καταφύγια), που δεν έχουν καμία απευθείας σύνδεση στο δημόσιο δίκτυο του ρεύματος, πρέπει να χρησιμοποιηθούν αντιστροφείς ημιτόνου.

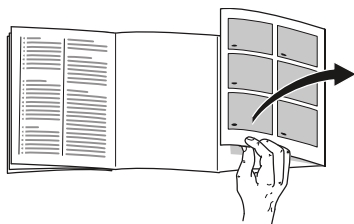
Συναρμολόγηση των λαβών

Εικ. **6**

Συναρμολογήστε τις λαβές, αφού πρώτα η συσκευή βρίσκεται τη θέση τοποθέτησης και έχει ευθυγραμμιστεί.

1. Περάστε τα στηρίγματα στους οδηγούς.
2. Τοποθετήστε τις βίδες και σφίξτε τις.
3. Περάστε τις λαβές στα στηρίγματα και σπρώξτε τις προς τα κάτω. Το αυτοκόλλητο "Top" πρέπει να είναι επάνω.
4. Τοποθετήστε τη βίδα και σφίξτε την.

Γνωρίστε τη συσκευή



Ανοίξτε παρακαλώ την τελευταία σελίδα με τις εικόνες. Αυτές οι οδηγίες χρήσης ισχύουν για περισσότερα μοντέλα.

Ο εξοπλισμός των μοντέλων μπορεί να διαφέρει.

Αποκλίσεις στις εικόνες είναι δυνατές.

Εικ. **1**

- 1 Φωτισμός
- 2 Ανατρεπόμενο λεκανάκι παγοκύβων
- 3 Ράφι στο χώρο κατάψυξης
- 4 Διακόπτης φωτισμού
- 5 Ράφι πόρτας
- 6 Χειριστήριο
- 7 Φωτισμός
- 8 Ράφια στο χώρο ψύξης
- 9 Θάλαμος νωπών προϊόντων
- 10 Δοχείο φρούτων και λαχανικών με αποσμητικό
- 11 Παροχή νερού
- 12 Δοχείο νερού
- 13 Ράφι πόρτας για αβγά, σωληνάρια και μικρά κουτιά
- 14 Ράφι πόρτας για μεγάλες φιάλες

Χειριστήριο

Εικ. **2**

- 1 **Πλήκτρο "freezer/super" (καταψύκτης/σούπερ)**
 - Ρύθμιση της θερμοκρασίας στο χώρο κατάψυξης
 - Ενεργοποίηση και απενεργοποίηση της λειτουργίας "Υπερκατάψυξη".
- 2 **Πλήκτρο "lock"**
Ενεργοποίηση και απενεργοποίηση του κλειδώματος των πλήκτρων.
- 3 **Πλήκτρο "alarm"**
Απενεργοποίηση του προειδοποιητικού ηχητικού σήματος.
- 4 **Πλήκτρο "fridge/super" (ψυγείο/σούπερ)**
 - Ρύθμιση της θερμοκρασία στο χώρο ψύξης
 - Ενεργοποίηση και απενεργοποίηση της λειτουργίας "Υπέρψυξη"
- 5 **Ένδειξη της θερμοκρασίας του χώρου ψύξης**
Δείχνει τη ρυθμισμένη θερμοκρασία στο χώρο ψύξης.
"super"
Η λειτουργία "Υπέρψυξη" είναι ενεργοποιημένη.
"alarm"
Η λειτουργία συναγερμού είναι ενεργοποιημένη.
- 6 **Κλειδωμα των πλήκτρων "lock"**
Το κλειδωμα των πλήκτρων είναι ενεργοποιημένο.

7 Ένδειξη της θερμοκρασίας του χώρου κατάψυξης

Δείχνει τη ρυθμισμένη θερμοκρασία στο χώρο κατάψυξης.

"super"

Η λειτουργία "Υπερκατάψυξη" είναι ενεργοποιημένη.

"alarm"

Η λειτουργία συναγερμού είναι ενεργοποιημένη.

Ενεργοποίηση της συσκευής

Μετά τη σύνδεση στο δίκτυο του ρεύματος αρχίζει η συσκευή να κρυώνει. Ο φωτισμός με ανοιχτή την πόρτα είναι ενεργοποιημένος.

Ηχεί ένας προειδοποιητικός ήχος. Με το πλήκτρο „alarm“ απενεργοποιείτε το προειδοποιητικό ηχητικό σήμα.

Από το εργοστάσιο συνιστώνται και έχουν ρυθμιστεί οι ακόλουθες θερμοκρασίες:

- Χώρος ψύξης: +4 °C
- Χώρος κατάψυξης: -18 °C.

Υποδείξεις λειτουργίας

- Μετά την ενεργοποίηση μπορεί να διαρκέσει περισσότερες ώρες, μέχρι να επιτευχθούν οι ρυθμισμένες θερμοκρασίες.
- Χάρη στο εντελώς αυτόματο σύστημα "No Frost" παραμένει ο χώρος κατάψυξης χωρίς πάγο. Μια απόψυξη δεν είναι πλέον απαραίτητη.

- Οι μετωπικές πλευρές του περιβλήματος θερμαίνονται μερικώς ελαφρά. Αυτό εμποδίζουν τη δημιουργία συμπυκνώματος στην περιοχή της τσιμούχας της πόρτας.
- Σε περίπτωση που μετά το κλείσιμο του χώρου κατάψυξης δεν μπορείτε να ανοίξετε αμέσως ξανά την πόρτα, περιμένετε μια στιγμή, μέχρι να αντισταθμιστεί η δημιουργούμενη υποπίεση.

Ρύθμιση της θερμοκρασίας

Εικ. 2

Χώρος ψύξης

Η θερμοκρασία μπορεί να ρυθμιστεί από +2 °C έως +8 °C.

Πατήστε το πλήκτρο 4 "fridge/super" (ψυγείο/σούπερ) τόσες φορές, ώσπου στο πεδίο ενδείξεων 5 εμφανιστεί η επιθυμητή θερμοκρασία του χώρου ψύξης.

Η τελευταία ρυθμισμένη τιμή αποθηκεύεται.

Υποδείξεις

- Μην αποθηκεύετε ευαίσθητα τρόφιμα σε θερμοκρασία πάνω από +4 °C.
- Για τη σύντομη αποθήκευση των τροφίμων μπορεί να ρυθμιστεί μια υψηλότερη θερμοκρασία (λειτουργία εξοικονόμησης ενέργειας).
- Σε περίπτωση συχνού ανοίγματος της πόρτας και σε περίπτωση τοποθέτησης μεγάλων ποσοτήτων τροφίμων στο χώρο ψύξης πρέπει να ρυθμιστεί μια χαμηλότερη θερμοκρασία.

Χώρος κατάψυξης

Η θερμοκρασία μπορεί να ρυθμιστεί από -15 °C έως -22 °C.

Πατήστε το πλήκτρο 1 "freezer/super" (καταψύκτης/σούπερ) τόσες φορές, ώπου στο πεδίο ενδείξεων 7 εμφανιστεί η επιθυμητή θερμοκρασία του χώρου κατάψυξης.

Η τελευταία ρυθμισμένη τιμή αποθηκεύεται.

Υπέρψυξη

Εικ. 2

Στην υπέρψυξη ψύχεται ο χώρος ψύξης στη χαμηλότερη θερμοκρασία.

Μετά περίπου 40 λεπτά ή όταν η θερμοκρασία στο χώρο ψύξης βρίσκεται 2 °C κάτω από τη ρυθμισμένη θερμοκρασία, απενεργοποιείται αυτόματα η υπέρψυξη.

Μετά περνά αυτόματα στην προηγούμενη ρυθμισμένη θερμοκρασία.

Η υπέρψυξη συνιστάται ιδιαίτερα:

- Πριν την τοποθέτηση μεγάλων ποσοτήτων τροφίμων.
- Για τη γρήγορη ψύξη ποτών.

Ενεργοποίηση

Πατήστε το πλήκτρο 4 "fridge/super" (ψυγείο/σούπερ) τόσες φορές, ώπου στο πεδίο ενδείξεων 5 να εμφανιστεί "super" (σούπερ).

Απενεργοποίηση

Πατήστε το πλήκτρο 4 "fridge/super" (ψυγείο/σούπερ).

Υπερκατάψυξη

Εικ. 2

Τα τρόφιμα πρέπει να καταψύχονται κατά το δυνατόν γρήγορα μέχρι τον πυρήνα, για να διατηρούνται οι βιταμίνες, οι θρεπτικές αξίες, η εμφάνιση και η γεύση των τροφίμων.

Για να μην προκύψει κατά την τοποθέτηση νωπών τροφίμων ανεπιθύμητη αύξηση της θερμοκρασίας, πρέπει μερικές ώρες πριν την τοποθέτηση των νωπών τροφίμων να ενεργοποιηθεί η λειτουργία υπερκατάψυξης. Βασικά αρκούν 4 -6 ώρες. Σε περίπτωση αξιοποίησης της μέγιστης ικανότητας κατάψυξης είναι απαραίτητες 24 ώρες.

Μετά 48 ώρες περνά αυτόματα η θερμοκρασία στη ρυθμισμένη πριν από την υπερκατάψυξη θερμοκρασία.

Ενεργοποίηση

Πατήστε το πλήκτρο 4 "freezer/super" (καταψύκτης/σούπερ) τόσες φορές, ώπου στο πεδίο ενδείξεων 7 "super" (σούπερ).

Απενεργοποίηση

Πατήστε το πλήκτρο 1 "freezer/super" (καταψύκτης/σούπερ).

Κλειδωμα των πλήκτρων

Εικ. 2

Με ενεργοποιημένο το κλειδωμα των πλήκτρων όλα τα πλήκτρα στο χειριστήριο είναι κλειδωμένα.

Εξαιρέση: Με ενεργοποιημένο το κλειδωμα των πλήκτρων μπορεί με το πλήκτρο "alarm" να απενεργοποιηθεί το προειδοποιητικό ηχητικό σήμα. Επιπλέον μπορείτε να συνεχίσετε τη λήψη νερού από τη συσκευή.

Ενεργοποίηση και απενεργοποίηση

Πατήστε το πλήκτρο 2 "lock".

Όταν το κλειδωμα των πλήκτρων είναι ενεργοποιημένο, στο πεδίο ενδείξεων εμφανίζεται "lock".

Για την απενεργοποίηση, πατήστε το πλήκτρο 2 "lock" περίπου 3 δευτερόλεπτα.

Λειτουργία συναγερμού

Όταν ενεργοποιηθεί ένας συναγερμός, ηχεί ένα προειδοποιητικό σήμα και στο πεδίο ενδείξεων εμφανίζεται "alarm".

Πατήστε το πλήκτρο "alarm", για να απενεργοποιήσετε το προειδοποιητικό ηχητικό σήμα. Εικ. 2/3

Συναγερμός πόρτας

Ο συναγερμός πόρτας ενεργοποιείται, όταν μια από τις πόρτες της συσκευής βρίσκεται ανοιχτή πάνω από 1 λεπτό.

Με το κλείσιμο της πόρτας απενεργοποιείται το προειδοποιητικό ηχητικό σήμα.

Συναγερμός θερμοκρασίας

Ο συναγερμός θερμοκρασίας ενεργοποιείται, όταν η θερμοκρασία στο χώρο ψύξης ή στο χώρο κατάψυξης ανέβει πολύ και υπάρχει κίνδυνος για τα τρόφιμα.

Χωρίς κίνδυνο για τα κατεψυγμένα τρόφιμα μπορεί να ενεργοποιηθεί ο συναγερμός στις ακόλουθες περιπτώσεις:

- Κατά τη θέση σε λειτουργία της συσκευής.
- Σε περίπτωση τοποθέτησης μεγάλων ποσοτήτων νωπών τροφίμων.

Χώρος ψύξης

Στο πεδίο ενδείξεων εμφανίζεται δεξιά, κάτω από τη θερμοκρασία του χώρου ψύξης η ένδειξη "alarm" (συναγερμός).

Προσοχή

Σε περίπτωση αμφιβολίας μη χρησιμοποιήσετε άλλο τα ωμά τρόφιμα.

Θερμάνετε τα ζεσταμένα τρόφιμα πριν τη χρήση.

Χώρος κατάψυξης

Στο πεδίο ενδείξεων εμφανίζεται αριστερά, κάτω από τη θερμοκρασία χώρου κατάψυξης η ένδειξη "alarm" (συναγερμός).

Προσοχή

Μην καταψύξετε ξανά τα μισοξεπαγωμένα ή εντελώς ξεπαγωμένα κατεψυγμένα τρόφιμα. Μόνο μετά το μαγείρεμα (βράσιμο ή ψήσιμο) μπορεί να καταψυχθεί ξανά το έτοιμο φαγητό.

Μην εξαντλήσετε πλέον τη μέγιστη διάρκεια αποθήκευσης των κατεψυγμένων τροφίμων.

Ωφέλιμη χωρητικότητα

Τα στοιχεία για την ωφέλιμη χωρητικότητα θα τα βρείτε στην πινακίδα τύπου (βλέπε στο κεφάλαιο "Σέρβις πελατών").

Χώρος ψύξης

Ο χώρος ψύξης είναι ο ιδανικός τόπος φύλαξης για έτοιμα φαγητά, αρτοσκευάσματα, κονσέρβες, συμπυκνωμένο γάλα, σκληρό τυρί, ευαίσθητα στην ψύξη φρούτα και λαχανικά καθώς και εσπεριδοειδή/τροπικά φρούτα.

Κατά την τακτοποίηση προσέξτε

Κατά την τοποθέτηση των τροφίμων προσέξτε τα εξής:

- Τακτοποιήστε τα τρόφιμα καλά συσκευασμένο ή καλυμμένα. Έτσι διατηρείται το άρωμα, το χρώμα και η φρεσκάδα του. Επιπλέον αποφεύγονται οι αλλοιώσεις της γεύσης και οι αλλαγές στο χρώμα των πλαστικών τεμαχίων.
- Αφήστε τα ζεστά φαγητά και ποτά πρώτα να κρύνουν και μετά τοποθετήστε τα στη συσκευή.
- Μην μπλοκάρτε τα ανοίγματα εξόδου του αέρα στο χώρο ψύξης με τρόφιμα, για να μην εμποδίζεται η κυκλοφορία του αέρα.

Τα τρόφιμα, τα οποία αποθηκεύονται αμέσως μπροστά από τα ανοίγματα εξόδου του αέρα, μπορούν να παγώσουν από τον εξερχόμενο ψυχρό αέρα.

Χώρος κατάψυξης

Ο χώρος κατάψυξης χρησιμοποιείται

- Για την αποθήκευση κατεψυγμένων τροφίμων.
- Για τη δημιουργία παγοκύβων.
- Για την κατάψυξη τροφίμων.

Υπόδειξη

Προσέξτε, να είναι πάντα κλειστή η πόρτα του χώρου κατάψυξης! Σ περίπτωση ανοιχτής πόρτας ξεπαγώνουν τα κατεψυγμένα τρόφιμα και στο χώρο κατάψυξης δημιουργείται πολύς πάγος. Επιπλέον: Σπατάλη ενέργειας λόγω υψηλή κατανάλωσης ρεύματος!

Μετά το κλείσιμο της πόρτας του χώρου κατάψυξης δημιουργείται μια υποπίεση. Έτσι εμφανίζεται ένας θόρυβος αναρρόφησης. Περιμένετε δύο έως τρία λεπτά, ώσπου να εξισορροπηθεί η υποπίεση.

Μέγιστη απόδοση κατάψυξης

Στοιχεία για τη μέγιστη απόδοση κατάψυξης σε 24 ώρες θα βρείτε στην πινακίδα τύπου (βλέπε στο κεφάλαιο "Σέρβις πελατών").

Κατάψυξη και αποθήκευση

Αγορά κατεψυγμένων τροφίμων

- Η συσκευασία δεν επιτρέπεται να είναι χαλασμένη.
- Προσέχετε την ημερομηνία λήξης.
- Η θερμοκρασία στον καταψύκτη του καταστήματος πρέπει να είναι $-18\text{ }^{\circ}\text{C}$ ή χαμηλότερη.
- Μεταφέρετε τα κατεψυγμένα τρόφιμα κατά το δυνατόν σε μια μονωμένη τσάντα και τοποθετήστε τα γρήγορα στο χώρο κατάψυξης.

Αποθήκευση κατεψυγμένων τροφίμων

Όταν πρέπει να τοποθετηθούν πολλά τρόφιμα, μπορείτε να αφαιρέσετε το ανατρεπόμενο λεκανάκι παγοκύβων και τα ράφια.

Για να μην εμποδίζεται η κυκλοφορία του αέρα στη συσκευή, μη στοιβάζετε τα τρόφιμα πάνω από το όριο στοιβάξης.

Κατάψυξη νωπών τροφίμων

Χρησιμοποιείτε για κατάψυξη μόνο φρέσκα και άψογα τρόφιμα.

Για να διατηρούνται κατά το δυνατόν καλύτερα το θρεπτικές αξίες, το άρωμα και το χρώμα, πρέπει τα λαχανικά να ζεματίζονται πριν από την κατάψυξη. Στις μελιτζάνες, πιπεριές, κολοκυθάκια και σπαράγγια το ζεμάτισμα δεν είναι απαραίτητο.

Βιβλιογραφία σχετικά με την κατάψυξη και το ζεμάτισμα θα βρείτε στα βιβλιοπωλεία.

Υπόδειξη

Μη φέρετε σε επαφή τα προς κατάψυξη τρόφιμα με τα ήδη κατεψυγμένα.

- Για κατάψυξη είναι κατάλληλα: Αρτοσκευάσματα, ψάρι και θαλασσινά, κρέας, θηράματα, πουλερικά, λαχανικά, φρούτα, αρωματικά φυτά, αβγά χωρίς κέλυφος, προϊόντα γάλακτος όπως τυρί, βούτυρο και μυζήθρα, έτοιμα φαγητά και υπολείμματα φαγητού όπως σουπες, γιαχνί, μαγειρεμένο κρέας και ψάρι, φαγητά με πατάτες, σουφλέ και γλυκά φαγητά.
- Για κατάψυξη δεν είναι κατάλληλα: Είδη λαχανικών, τα οποία συνήθως τρώγονται ωμά, όπως πράσινες σαλάτες ή ραπανάκια, αβγά στο κέλυφος, σταφύλια, ολόκληρα μήλα, αχλάδια και ροδάκινα, σφιχτοβρασμένα αβγά, γιαούρτι, ξινόγαλο, ξινή σαντιγί, Creme Fraiche και μαγιονέζα.

Συσκευασία κατεψυγμένων τροφίμων

Συσκευάζετε τα τρόφιμα αεροστεγώς, για να μη χάνουν τη γεύση τους ή να μη στεγνώνουν.

1. Τοποθετήστε τα τρόφιμα μέσα στη συσκευασία.
2. Αφαιρέστε τον αέρα.
3. Κλείστε τη συσκευασία στεγανά.
4. Αναγράψτε στη συσκευασία το περιεχόμενο και την ημερομηνία κατάψυξης.

Κατάλληλη συσκευασία:

Μεμβράνη συνθετικού υλικού, σωληνωτή μεμβράνη από πολυαιθυλένιο, αλουμινόχαρτο, κουτιά κατάψυξης. Αυτά τα προϊόντα θα τα βρείτε στα ειδικά καταστήματα.

Ακατάλληλη συσκευασία:

Χαρτί περιτυλίγματος, λαδόχαρτο, σελοφάν, σακούλες απορριμμάτων και μεταχειρισμένες σακούλες για ψώνια.

Κατάλληλα για το κλείσιμο της συσκευασίας είναι:

Λαστιχάκια, πλαστικά κλιπ, κλωστές, αυτοκόλλητες ταινίες ανθεκτικές στο κρύο ή παρόμοια.

Οι σακούλα και οι σωληνωτές μεμβράνες από πολυαιθυλένιο μπορούν να σφραγιστούν με μια συσκευή θερμοσυγκόλλησης.

Διάρκεια διατήρησης των κατεψυγμένων τροφίμων

Ανάλογα με το είδος των τροφίμων.

Σε μια θερμοκρασία από -18 °C:

- Ψάρια, αλαντικά, έτοιμα φαγητά, αρτοσκευάσματα: μέχρι και 6 μήνες.
- Τυρί, κοτόπουλα, κρέας: μέχρι και 8 μήνες.
- Λαχανικά, φρούτα: μέχρι και 12 μήνες.

Απόψυξη κατεψυγμένων τροφίμων

Ανάλογα με το είδος και το σκοπό χρήσης μπορείτε να επιλέξετε ανάμεσα στις ακόλουθες δυνατότητες:

- σε θερμοκρασία χώρου
- στο ψυγείο
- στον ηλεκτρικό φούρνο, με/ χωρίς ανεμιστήρα θερμού αέρα
- στη συσκευή μικροκυμάτων.

⚠ Προσοχή

Μην καταψύξετε ξανά τα μισοξεπαγωμένα ή εντελώς ξεπαγωμένα κατεψυγμένα τρόφιμα. Μόνο μετά το μαγείρεμα (βράσιμο ή ψήσιμο) μπορεί να καταψυχθεί ξανά το έτοιμο φαγητό.

Μην εξαντλήσετε πλέον τη μέγιστη διάρκεια αποθήκευσης των κατεψυγμένων τροφίμων.

Παροχή πάγου και νερού

Μέσω της παροχής πάγου και νερού μπορείτε να έχετε από τη συσκευή παγοκύβους και κρύο νερό.

Προσέξτε την ποιότητα του πόσιμου νερού

Όλα τα χρησιμοποιούμενα υλικά της λήψης νερού έχουν ουδέτερη οσμή και γεύση.

Σε περίπτωση που το νερό έχει μια ιδιάζουσα γεύση, μπορεί να οφείλεται στις ακόλουθες αιτίες:

- Περιεκτικότητα αλάτων και χλωρίου του πόσιμου νερού.
- Φρεσκάδα του πόσιμου νερού. Όταν για μεγαλύτερο χρονικό διάστημα δεν έγινε λήψη νερού, μπορεί το νερό να έχει τη γεύση "στάσιμου" νερού. Σε αυτή την περίπτωση αδειάστε το δοχείο του νερού και γεμίστε το με καθαρό νερό.

Λήψη πάγου

Εικ. 7

1. Τραβήξτε έξω το δοχείο του νερού.
2. Ανοίξτε τη διάταξη πλήρωσης του δοχείου του νερού.
3. Προσθέστε καθαρό νερό στο δοχείο νερού μέχρι τη γραμμή μαρκαρίσματος και κλείστε τη διάταξη πλήρωσης.

Υπόδειξη

Σκουπίστε στεγνά την εξωτερική πλευρά και το κάτω στόμιο εκροής του δοχείου νερού.

4. Σπρώξτε το δοχείο νερού στο ανατρεπόμενο λεκανάκι παγοκύβων.
5. Όταν γίνουν οι παγόκυβοι, γυρίστε την περιστροφική λαβή προς τα δεξιά. Οι παγόκυβοι ξεκολλούν και πέφτουν στο δοχείο αποθέματος.
6. Τραβήξτε έξω το δοχείο αποθέματος και αφαιρέστε τα παγάκια.

Λήψη νερού

Bild 8

1. Ανοίξτε τη διάταξη πλήρωσης του δοχείου του νερού.
2. Προσθέστε καθαρό νερό στο δοχείο νερού μέχρι τη γραμμή μαρκαρίσματος.

Υπόδειξη

Γεμίστε το δοχείο νερού μόνο με νερό.

3. Πιέστε το ποτήρι ενάντια στο μαξιλαράκι λήψης.

Εξοπλισμός

Μπορείτε να μεταβάλλετε τη θέση των ραφιών του εσωτερικού χώρου και τα ράφια της πόρτας ανάλογα με τις ανάγκες σας:

- Σηκώστε το ράφι και τραβήξτε το έξω προς τα εμπρός.
- Σηκώστε το ράφι της πόρτας και αφαιρέστε το.

Θάλαμος νωπών προϊόντων

Στο θάλαμο νωπών προϊόντων επικρατούν χαμηλότερες θερμοκρασίες από το χώρο ψύξης. Μπορούν να εμφανιστούν επίσης θερμοκρασίες κάτω από 0 °C.

Ιδανικός για αποθήκευση ψαριών, κρέατος και αλαντικών. Δεν ενδείκνυται για σαλάτες και λαχανικά και προϊόντα ευαίσθητα στο ψύχος.

Για να λειτουργεί σωστά ο θάλαμος νωπών προϊόντων, πρέπει να είναι εντελώς κλειστός και το ράφι από άνω πρέπει να είναι σωστά τοποθετημένο.

Φίλτρο οσμών

Οι δυσάρεστες οσμές στη θήκη ψύξης αποφεύγονται με το φίλτρο οσμών.

Συμβουλή: Τα τρόφιμα με δυνατή μυρωδιά πρέπει να αποθηκεύονται παρόλ' αυτά σε στεγανά δοχεία.

Όταν η απόδοση του φίλτρου οσμών μειωθεί, μπορεί να αποκατασταθεί με απλά μέσα:

1. Αφαιρέστε το φίλτρο οσμών.
2. Στεγνώστε το με ένα στεγνωτήρα μαλλιών (σεσουάαρ).
3. Θέστε το φίλτρο οσμών στον ήλιο, για να απομακρύνετε τα υπολείμματα δυσάρεστων οσμών (αποσύνθεση των ενώσεων οσμής από το υπεριώδες φως).
4. Τοποθετήστε ξανά το φίλτρο οσμών.

Δοχείο λαχανικών με ρυθμιστή υγρασίας

Εικ. 9

Για τη δημιουργία του ιδανικού κλίματος αποθήκευσης για λαχανικά, σαλάτες και φρούτα, ανάλογα με την ποσότητα αποθήκευσης μπορεί να ρυθμιστεί η υγρασία του αέρα στο δοχείο των λαχανικών.

Μικρές ποσότητες τροφίμων -

Σπρώξτε το ρυθμιστή προς τα αριστερά.

Μεγάλες ποσότητες τροφίμων -

Σπρώξτε το ρυθμιστή προς τα δεξιά.

Απενεργοποίηση και ακινητοποίηση της συσκευής

Απενεργοποίηση της συσκευής

Τραβήξτε το φιν από την πρίζα ή ξεβιδώστε/κατεβάστε την ασφάλεια. Η ένδειξη θερμοκρασίας σβήνει και η ψυκτική μηχανή απενεργοποιείται.

Ακινητοποίηση της συσκευής

Όταν δε χρησιμοποιήσετε τη συσκευή για μεγαλύτερο χρονικό διάστημα:

1. Τραβήξτε το φιν από την πρίζα ή ξεβιδώστε/κατεβάστε την ασφάλεια.
2. Καθαρίστε τη συσκευή.
3. Αφήστε την πόρτα της συσκευής ανοιχτή.

Καθαρισμός της συσκευής

Προσοχή

- Μη χρησιμοποιείτε απορρυπαντικά ή διαλύτες που περιλαμβάνουν σκόνη τριψίματος, χλώριο ή οξέα.
- Μη χρησιμοποιείτε τραχιά σφουγγάρια. Στις μεταλλικές επιφάνειες μπορεί να δημιουργηθεί διάβρωση.
- Μην καθαρίζετε ποτέ τα ράφια και τα δοχεία στο πλυντήριο πιάτων. Αυτά τα μέρη μπορούν να παραμορφωθούν!

Το νερό καθαρισμού δεν επιτρέπεται να περάσει

- στις σχισμές στην μπροστινή περιοχή του πυθμένα της θήκης κατάψυξης,
- στα χειριστήρια,
- και στο φωτισμό.

Ενεργήστε ως εξής:

1. Πριν από τον καθαρισμό τραβήξτε το φιλ από την πρίζα ή κατεβάστε/ξεβιδώστε την ασφάλεια!
2. Αφαιρέστε τα κατεψυγμένα τρόφιμα και αποθηκεύστε τα σε ένα δροσερό μέρος. Τοποθετήστε τις παγοκύστες (εάν υπάρχουν) πάνω στα τρόφιμα.
3. Καθαρίστε τη συσκευή μ' ένα μαλακό πανί, χλιαρό νερό και λίγο υγρό καθαρισμού πιάτων με ουδέτερο pH. Το νερό πλύσης δεν επιτρέπεται να περάσει στο σύστημα φωτισμού.
4. Σκουπίστε την τσιμουχά της πόρτας μόνο με καθαρό νερό και μετά στεγνώστε την καλά.
5. Μετά τον καθαρισμό συνδέστε ξανά τη συσκευή και ενεργοποιήστε την.
6. Τοποθετήστε ξανά κατεψυγμένα τρόφιμα.

Εξοπλισμός

Για τον καθαρισμό μπορούν να αφαιρεθούν όλα τα μεταβλητά μέρη της συσκευής.

Αφαίρεση των ραφιών

Σηκώστε το ράφι και τραβήξτε το έξω προς τα εμπρός.

Αφαίρεση των ραφιών της πόρτας

Σηκώστε το ράφι της πόρτας και αφαιρέστε το.

Αφαίρεση του δοχείου αποθέματος και του δοχείου νερού στο ανατρεπόμενο λεκανάκι παγοκύβων

Εικ. 10

1. Αφαιρέστε το δοχείο νερού και το δοχείο αποθέματος.
2. Απομακρύνετε το κάλυμμα του δοχείου του νερού και αδειάστε το δοχείο νερού.
3. Καθαρίστε τα ξεχωριστά μέρη του δοχείου του νερού και το δοχείο αποθέματος με καθαρό νερό και σκουπίστε τα στεγνά με ένα πανί.

Αφαίρεση του δοχείου νερού

Εικ. 11

1. Αφαιρέστε το δοχείο του νερού.
2. Απομακρύνετε το κάλυμμα του δοχείου του νερού και αδειάστε το δοχείο νερού.
3. Καθαρίστε τα ξεχωριστά μέρη του δοχείου του νερού με καθαρό νερό και σκουπίστε τα στεγνά με ένα πανί.

Φωτισμός (LED)

Η συσκευή σας είναι εξοπλισμένη με ένα σύστημα φωτισμού φωτοδιόδου (LED) που δε χρειάζεται συντήρηση.

Οι επισκευές σε αυτό το σύστημα φωτισμού επιτρέπεται να εκτελούνται μόνο από το σέρβις πελατών ή από εξουσιοδοτημένα εξειδικευμένα άτομα.

Εξοικονόμηση ενέργειας

- Τοποθετήστε τη συσκευή σε ένα στεγνό, εξαεριζόμενο χώρο! Η συσκευή δεν πρέπει να βρίσκεται εκτεθειμένη απευθείας στον ήλιο ή κοντά σε μια πηγή θερμότητας (π.χ. θερμαντικό σώμα, εστία).
Χρησιμοποιήστε ενδεχομένως μια μονωτική πλάκα.
- Αφήστε τα τρόφιμα και ποτά πρώτα να κρυώνουν και μετά τοποθετήστε τα στη συσκευή!
- Τοποθετείτε τα κατεψυγμένα τρόφιμα που θέλετε να ξεπαγώσουν στο χώρο ψύξης. Εκμεταλλευτείτε την ψύξη των κατεψυγμένων τροφίμων για την ψύξη των τροφίμων στο χώρο ψύξης.
- Κρατάτε τη συσκευή όσο το δυνατό λιγότερο ανοιχτή!
- Η πίσω πλευρά της συσκευής πρέπει κάπου-κάπου να καθαρίζεται με μια ηλεκτρική σκούπα ή με ένα πινέλο, για την αποφυγή μιας αυξημένης κατανάλωσης ρεύματος.

Θόρυβοι λειτουργίας

Εντελώς κανονικοί θόρυβοι

Βόμβος

Οι κινητήρες λειτουργούν (π.χ. συγκρότημα ψύξης, ανεμιστήρας).

Θόρυβος κελαρύσματος, ανάβλυσσης ή γαργαρίσματος

Το ψυκτικό μέσο ρέει μέσα στους σωλήνες.

Θόρυβος κλικ

Ο κινητήρας, ο διακόπτης ή οι μαγνητικές βαλβίδες ενεργοποιούνται ή απενεργοποιούνται.

Θόρυβος κρακ

Λαμβάνει χώρα η αυτόματη απόψυξη.

Αποφυγή θορύβων

Η συσκευή δε βρίσκεται σε επίπεδη θέση

Ευθυγραμμίστε παρακαλώ τη συσκευή με ένα αλφάδι. Χρησιμοποιήστε γι' αυτό τα βιδωτά πόδια ή τοποθετήστε κάτι από κάτω.

Η συσκευή "ακουμπά κάπου"

Απομακρύνετε τη συσκευή από τα έπιπλα ή τις συσκευές που ακουμπά.

Τα δοχεία ή τα ράφια εναπόθεσης κουνιόνται ή έχουν μαγκωθεί

Ελέγξτε παρακαλώ τα αποσπώμενα μέρη και τοποθετήστε τα ενδεχομένως εκ νέου.

Φιάλες ή δοχεία αλληλοεφάπτονται

Απομακρύνετε παρακαλώ μεταξύ τους λίγο τις φιάλες ή τα δοχεία.

Αποκατάσταση μικρών βλαβών από σας τους ίδιους

Προτού καλέσετε το σέρβις πελατών:

Ελέγξτε, εάν μπορείτε να άρετε μόνοι σας τη βλάβη με τη βοήθεια των ακόλουθων υποδείξεων.

Επιβαρύνεστε με τα έξοδα για την παροχή συμβουλών από το σέρβις πελατών – ακόμα και κατά τη διάρκεια του χρόνου εγγύησης!

| Βλάβη | Πιθανή αιτία | Αντιμετώπιση |
|--|--|---|
| Στο χώρο ψύξης είναι πολύ κρύο. | Οι χαμηλότερες θερμοκρασίες του χώρου κατάψυξης μπορεί να προκαλούν επίσης χαμηλότερες θερμοκρασίες του χώρου ψύξης. Αυτό οφείλεται σε τεχνικούς λόγους. | Ρυθμίστε τη θερμοκρασία στο χώρο ψύξης λίγο υψηλότερα. Σε περίπτωση που αυτό δεν είναι αρκετό, π.χ. σε πολύ χαμηλές θερμοκρασίες χώρου, ρυθμίστε ακόμα επίσης τη θερμοκρασία του χώρου κατάψυξης υψηλότερα. |
| Η θερμοκρασία στο χώρο κατάψυξης είναι πολύ υψηλή. | Συχνό άνοιγμα της πόρτας της συσκευής. | Μην ανοίγετε χωρίς λόγο τη συσκευή. |
| | Τα ανοίγματα αερισμού και εξαερισμού είναι καλυμμένα. | Απομακρύνετε τα εμπόδια. |
| | Κατάψυξη μεγάλο ποσοτήτων νωπών τροφίμων. | Μην ξεπεράσετε τη μέγιστη απόδοση κατάψυξης. |
| Η θερμοκρασία αποκλίνει πολύ από τη ρύθμιση. | | Σε μερικές περιπτώσεις αρκεί, να απενεργοποιήσετε τη συσκευή για 5 λεπτά. Όταν η θερμοκρασία είναι πολύ υψηλή, ελέγξτε μετά από λίγες ώρες, εάν έχει λάβει χώρα μια προσέγγιση της θερμοκρασίας. Όταν η θερμοκρασία είναι πολύ χαμηλή, ελέγξτε την επόμενη ημέρα τη θερμοκρασία ακόμα μια φορά. |

| Βλάβη | Πιθανή αιτία | Αντιμετώπιση |
|---------------------------|--|---|
| Ο φωτισμός δε λειτουργεί. | Το σύστημα φωτισμού φωτοδιόδων (LED) είναι ελαττωματικό. | Βλέπε στο κεφάλαιο "Φωτισμός (LED)". |
| | Η συσκευή ήταν για μεγάλο χρονικό διάστημα ανοιχτή. Ο φωτισμός απενεργοποιείται μετά περίπου 10 λεπτά. | Μετά το κλείσιμο και το άνοιγμα της συσκευής ο φωτισμός ανάβει ξανά. |
| | Ο διακόπτης φωτισμού μαγκώνει. | Ελέγξτε, εάν ο διακόπτης φωτισμού μπορεί να κινηθεί. Εικ. 11 /4 |
| Δεν ανάβει καμία ένδειξη. | Όταν για λίγο χρόνο δε γίνει κανένας χειρισμός στη συσκευή, περνά η ένδειξη της κονσόλας χειρισμού στη λειτουργία εξοικονόμησης ενέργειας. | Μόλις η συσκευή χρησιμοποιηθεί ξανά, π.χ. ανοίγοντας την πόρτα, περνά η ένδειξη ξανά στον κανονικό φωτισμό. |
| | Διακοπή ρεύματος, η ασφάλεια έχει πέσει, το φικ δεν είναι σωστά τοποθετημένο. | Συνδέστε το φικ. Ελέγξτε, εάν υπάρχει ρεύμα, ελέγξτε τις ασφάλειες. |

| Βλάβη | Πιθανή αιτία | Αντιμετώπιση |
|---|--|--|
| Το προειδοποιητικό ηχητικό σήμα ηχεί και στο πεδίο ενδείξεων εμφανίζεται "alarm". | Μια από τις πόρτες της συσκευής ήταν πάνω από 1 λεπτό ανοιχτή. | Κλείστε τις πόρτες της συσκευής. |
| | Στο πεδίο ενδείξεων εμφανίζεται δεξιά, κάτω από τη θερμοκρασία του χώρου ψύξης η ένδειξη "alarm" (συναγερμός). Στο χώρο ψύξης επικρατεί πολύ ζέστη! | Πατήστε το πλήκτρο "alarm" (συναγερμός), για να απενεργοποιήσετε το προειδοποιητικό ηχητικό σήμα. Εικ. 2/3 Υπόδειξη Όταν η θερμοκρασία στο χώρο ψύξης ανέβει πολύ, θερμάνετε το ζεσταμένα τρόφιμα πριν τη χρήση. Σε περίπτωση αμφιβολίας μη χρησιμοποιήσετε άλλο τα ωμά τρόφιμα. |
| | Τοποθετήθηκαν μονομιάς πάρα πολλά τρόφιμα για ψύξη. | Πριν από την τοποθέτηση μεγάλων ποσοτήτων τροφίμων ενεργοποιήστε τη λειτουργία "Υπερψύξη". |
| | Στο πεδίο ενδείξεων εμφανίζεται αριστερά, κάτω από τη θερμοκρασία χώρου κατάψυξης η ένδειξη "alarm" (συναγερμός). | Πατήστε το πλήκτρο "alarm", για να απενεργοποιήσετε το προειδοποιητικό ηχητικό σήμα. Εικ. 2/3 Υπόδειξη Μην καταψύξετε ξανά τα μισοξεπαγωμένα ή εντελώς ξεπαγωμένα κατεψυγμένα τρόφιμα. Μόνο μετά το μαγείρεμα (βράσιμο ή ψήσιμο) μπορεί να καταψυχθεί ξανά το έτοιμο φαγητό. Μην εξαντλήσετε πλέον τη μέγιστη διάρκεια αποθήκευσης των κατεψυγμένων τροφίμων. |
| | Τοποθετήθηκαν μονομιάς πάρα πολλά τρόφιμα για κατάψυξη. | Μην ξεπεράσετε τη μέγιστη απόδοση κατάψυξης. Πριν από την τοποθέτηση μεγάλων ποσοτήτων τροφίμων ενεργοποιήστε τη λειτουργία "Υπερκατάψυξη". |
| | Τα ανοίγματα αερισμού και εξαερισμού είναι καλυμμένα. | Απομακρύνετε τα εμπόδια. |

| Βλάβη | Πιθανή αιτία | Αντιμετώπιση |
|---|--|--|
| Κατά την πλήρωση του δοχείου του νερού στο ανατρεπόμενο λεκανάκι παγοκύβων εξέρχεται νερό στην κάτω πλευρά. | Στο στόμιο εκροής του δοχείου του νερού έχει σχηματιστεί ένα στρώμα πάγου. | Καθαρίστε το δοχείο του νερού, βλέπε στο κεφάλαιο "Καθαρισμός της συσκευής". |

Σέρβις πελατών

Ένα σέρβις πελατών κοντά σας θα βρείτε στον τηλεφωνικό κατάλογο ή στον πίνακα των σέρβις πελατών. Δώστε παρακαλώ στο σέρβις πελατών τον αριθμό προϊόντος (E-Nr.) και τον αριθμό κατασκευής (FD-Nr.) της συσκευής.

Αυτά τα στοιχεία θα τα βρείτε στην πινακίδα τύπου. Εικ. 12

Βοηθήστε παρακαλώ, αναφέροντας τον αριθμό προϊόντος και τον αριθμό κατασκευής, στην αποφυγή άσκοπων διαδρομών. Έτσι εξοικονομείτε τα αντίστοιχα επιπλέον έξοδα.

Εντολή επισκευής και παροχή συμβουλών σε περίπτωση βλάβης

Τα στοιχεία επικοινωνίας όλων των χωρών θα τα βρείτε στο συνημμένο πίνακα σέρβις πελατών.

GR 2104 277 701

Güvenlik bilgileri ve uyarıları

Cihazı çalıştırmadan önce

Kullanım ve montaj kılavuzunu dikkatlice okuyunuz! Cihazın kurulumu, kullanımı ve bakımı ile ilgili önemli bilgiler içeriyorlar.

Üretici, kullanım kılavuzundaki bilgileri ve uyarıları dikkate almamanız durumunda sorumlu değildir. Belgeleri, daha sonraki kullanım veya cihazın bir sonraki sahibi için saklayınız.

Teknik Güvenlik

Cihaz, az miktarda doğa dostu ama yanıcı soğutucu madde R600a içerir. Taşıma veya montaj sırasında, soğutucu madde dolaşımına ait boruların zarar görmemesine dikkat ediniz. Soğutucu madde sızıntısı göz yaralanmalarına neden olabilir veya tutuşabilir.

Hasar durumunda

- Ateş veya ateş kaynaklarını cihazdan uzak tutunuz,
- Odayı birkaç dakika boyunca havalandırınız,
- Cihazı kapatınız ve fişini çekiniz,
- Müşteri hizmetlerine haber veriniz.

Bir cihazda ne kadar çok soğutucu madde varsa, cihazın bulunduğu oda o kadar çok büyük olmalıdır. Çok küçük odalarda, kaçak olması durumunda, bir yanıcı gaz-hava karışımı oluşabilir. Oda büyüklüğü, 8 g soğutucu madde başına, 1 m³ olmalıdır. Cihazınıza ait soğutucu madde miktarı, cihazınızın iç kısmında bulunan tip plakasında yazmaktadır.

Bu cihazın elektrik bağlantısı kablosu hasar görürse, üretici, müşteri hizmetleri veya benzer ve yetkin bir kişi tarafından değiştirilmesi gereklidir. Yanlış montaj veya onarımlar, kullanıcıyı büyük ölçüde tehlikeye sokar.

Onarımlar sadece üretici, müşteri hizmetleri veya benzer ve yetkin bir kişi tarafından yürütülebilir.

Sadece üreticinin orijinal parçaları kullanılabilir. Üretici sadece bu parçalar kullanıldığında güvenlik gereksinimlerinin karşılanacağını garanti eder.

Elektrik bağlantısı kablosunun uzatılması ancak müşteri hizmetleri tarafından gerçekleştirilebilir.

Kullanım Sırasında

- Cihaz içerisinde elektrikli cihazlar kullanmayınız (örn. ısıtıcılar, elektrikli buz hazırlayıcıları vb.). Patlama tehlikesi!
- Cihazı, asla bir buharlı temizleme cihazı ile çözmeyiniz veya temizlemeyiniz! Buhar elektrikli parçalara ulaşabilir ve bir kısa devreye yol açabilir. Elektrik çarpma tehlikesi!
- Don ve buz katmanlarını temizlemek için sivri uçlu veya keskin kenarlı nesnelere kullanmayınız. Bu şekilde, soğutucu madde borularına zarar verebilirsiniz. Soğutucu madde sızıntısı göz yaralanmalarına neden olabilir veya tutuşabilir.
- Cihaz içerisinde, yanıcı itici gaz içeren ürünler (örneğin sprey kutuları) ve patlayıcı maddeler saklamayınız. Patlama tehlikesi!
- Tabanı, sürgüleri, kapıları vs. basamak olarak veya dayanmak için kullanmayınız.
- Buz çözme ve temizlik için fişi çekiniz veya sigortayı kapatınız. Kabloyu değil, fişi çekiniz.

- Alkol oranı yüksek olanları ağız sıkıca kapalı ve dik bir şekilde saklayınız.
- Plastik parçaları ve kapı fitilini yağ veya gresle kirlenmeyiniz. Aksi takdirde plastik parçalar ve kapı fitili delinip aşınabilir.
- Cihazdaki havalandırma deliklerinin üzerini kapatmayınız veya onları kapalı konuma getirmeyiniz.
- Bu cihaz, fiziksel, duyuusal veya zihinsel yetenekleri kısıtlı veya bilgisi eksik kişiler (bunlara çocuklar dahildir) tarafından, ancak başlarında onların güvenliğinden sorumlu veya onlara, cihazın nasıl kullanılacağı konusunda talimat verebilecek bir kişi bulunursa kullanılabilir.
- Dondurucu bölmede şişe veya kutu içerisinde sıvı saklamayınız (özellikle de gazlı içecekler). Şişe ve kutular patlayabilir!
- Dondurulmuş gıdaları asla, dondurucu bölmeden alındıktan hemen sonra ağızınıza almayınız.
Dondurucu yanık tehlikesi!
- Ellerinizi, dondurulmuş gıda, buz veya buharlaşma boruları vs. ile uzun süreli temasından kaçınınız.
Dondurucu yanık tehlikesi!

Çocuklar ve tehlikeye açık kişiler için risklerin engellenmesi

Aşağıdaki kişiler tehlikeye açıktır:

- Çocuklar,
- Vücutları nedeniyle, fiziksel olarak veya anlama yeteneği açısından kısıtlı kişiler,
- Cihazın güvenli kullanımı hakkında yeterli bilgiye sahip olmayan kişiler.

Önlemler:

- Çocukların ve tehlikeye açık kişilerin tehlikeleri anladığından emin olunuz,
- Güvenlikten sorumlu bir kişi çocukları veya tehlikeye açık kişileri cihaz konusunda bilgilendirmeli veya eğitmelidir,
- Sadece 8 yaşından büyük çocukların cihazı kullanmasına izin verilmelidir,
- Bakım ve temizleme sırasında çocuklara dikkat ediniz,
- Asla çocukların cihazla oynamasına izin vermeyiniz.

Genel Hükümler

Cihaz;

- yiyeceklerin soğutulması ve dondurulması,
- buz yapımı için uygundur,
- içme suyunun oluşturulması.

Bu cihaz, deniz seviyesinden en fazla 2000 metre yükseklikte kullanılmak üzere tasarlanmıştır.

Bu cihaz, ev ve ev ortamı içinde ev kullanımı için tasarlanmıştır.

Cihazın, AB Direktifi 2004/108/EC'ye göre parazit yalıtımı yapılmıştır.

Soğutma devresinin sızdırmazlık kontrolü yapılmıştır.

Bu ürün, elektrikli ev aletleri (EN 60335-2-24) için ilgili güvenlik düzenlemelerine uygundur.

Atıkların yok edilmesiyle ilgili uyarılar

Ambalajın yok edilmesi

Ambalaj, taşıma sırasında cihazınızı hasarlara karşı korur. Kullanılan tüm malzemeler çevre dostudur ve geri dönüştürülebilir. Lütfen siz de yardım ediniz: Ambalajı, çevreye zarar vermeden yok ediniz.

Güncel bertaraf yöntemleri için, satıcınızla veya yerel yönetim ile temasa geçiniz.

Eski cihazın yok edilmesi

Eski cihazlar değersiz çöp değildir! Çevreye uygun yok etme işlemi sayesinde değerli hammaddeler yeniden kazanılabilir.



Bu cihaz Avrupa Atık Elektrik ve Elektronik Eşyaların (AEEE) Kontrolü Yönetmeliği 2012/19/EU (waste electrical and electronic equipment – WEEE) ile uyumludur. Bu yönetmelik, eski cihazların, AB çapında geçerli olan geri alımı ve geri dönüşümü için bir çerçeve oluşturur.

Uyarı

Kullanım süresini doldurmuş cihazlarda

1. Fişi çekiniz.
2. Bağlantı kablosunu kesiniz ve fişi ile birlikte çıkarınız.
3. Çocukların içeri tırmanmalarını engellemek için rafları ve kapları çıkarmayınız!

4. Çocukların, kullanım süresini doldurmuş cihazla oynamasına izin vermeyiniz. Boğulma tehlikesi!

Soğutucu cihazlar soğutucu madde ve yalıtımlarında gaz içerirler. Soğutucu maddeler ve gazlar uygun şekilde bertaraf edilmelidir. Uygun bertaraf işlemine kadar soğutucu madde devresine ait borulara zarar vermeyiniz.

Paket içeriği

Parçaları paketin içerisinden çıkardıktan sonra, taşıma sırasında hasar görüp görmediklerini kontrol ediniz.

Şikayet durumunda, cihazı satın aldığınız satıcınıza veya müşteri hizmetlerimize başvurunuz.

Paket içeriği aşağıdaki parçalardan oluşmaktadır:

- Dikey cihaz
- Donanım (modele bağlı olarak)
- Kullanım ve montaj kılavuzu
- Müşteri Hizmetleri Kitapçığı
- Garanti Belgesi
- Enerji tüketimi ve sesler ile ilgili bilgiler
- Montaj malzemelerini içeren torba

Cihazın kurulması

Kurulum Yeri

Kurulum için, kuru ve havalandırılabilir bir ortam uygundur. Kurulum yeri, doğrudan güneş ışınlarına maruz kalmamalıdır ve fırın, ısıtıcı vs. gibi ısı kaynaklarının yakınında olmamalıdır. Bir ısı kaynağının yanına kurulum kaçınılmaz ise, uygun bir yalıtım plakası kullanınız veya ısı kaynaklarına olan aşağıdaki asgari mesafelere uyunuz:

- Elektrikli veya gazlı fırınlara 3 cm.
- Mazot veya kömürlü fırınlara 30 cm.

Tutamakları takılı cihazlarda, kapının 90° açılabilmesi için, menteşe tarafıyla duvar arasında en az 55 cm'lik bir mesafe olmalıdır.

Oda sıcaklığına ve Havalandırmaya dikkat edilmelidir

Oda sıcaklığı

Cihaz, belirli bir iklim sınıfına göre tasarlanmıştır. Cihaz, iklim sınıfına bağlı olarak, aşağıdaki oda sıcaklıklarında çalıştırılabilir.

İklim sınıfı, tip plakası üzerinde bulunur.

Resim 12

| İklim sınıfı | izin verilen oda sıcaklığı |
|--------------|----------------------------|
| SN | +10 °C 32 °C arası |
| N | +16 °C 32 °C arası |
| ST | +16 °C 38 °C arası |
| T | +16 °C 43 °C arası |

Bilgi

Cihaz, belirtilen iklim sınıfına ait oda sıcaklığı sınırları içerisinde tam işlevseldir. Eğer SN iklim sınıfına ait bir cihaz daha soğuk oda sıcaklıklarında çalıştırılırsa, +5 °C sıcaklığa kadar cihazda herhangi bir hasar söz konusu olmaz.

Havalandırma

Resim 3

Cihazın arka duvarındaki ve yan duvarlarındaki hava ısınır. Isınan hava, hiçbir engele takılmadan uçup gidebilmelidir. Yoksa soğutucu makine çok daha fazla çalışmak zorunda kalır. Bu da elektrik tüketimini artırır. Bu yüzden: Havalandırma aralığı üzerini kesinlikle kapatmayınız veya onları kapalı konuma getirmeyiniz!

Her yana olan minimum mesafe en az 5 cm olmalıdır.

Mesafe koruyucunun montajı

Resim 4

Paketin içerisinde olan mesafe koruyucularını, civataları, cihazın arka tarafındaki, onlara uygun deliklere takıp sabitleyiniz. Bu şekilde, duvara olan asgari mesafe korunacak ve havalandırma sağlanacaktır.

Eğer cihaz eğri duruyorsa, kapılar düzgün kapanmayabilir.

Cihazın hizalanması

Resim 5

Cihazın düzgün çalışabilmesi için, bir su terazisi ile hizalanmalıdır.

Eğer cihaz eğri duruyorsa, kapılar düzgün kapanmayabilir.

1. Cihazı, ön görülen yere yerleştiriniz.
2. Ön ayakları, sıkıca yere temas edene kadar çevirerek açınız ve cihazın ön kısmını hizalayınız.
3. Bir su terazisi ile cihazın düzgün bir şekilde hizalanıp hizalanmadığını kontrol ediniz.

Bilgi

Cihazın kayıp gitmemesi için ön ayakların tam olarak yere sıkıca temas etmesi gerekiyor.

Cihazın bağlantısı

Cihazı yerine yerleştirdikten sonra, çalıştırmadan önce en az 1 saat boyunca beklenmelidir. Taşıma sırasında, kompresörde bulunan yağın soğutucu maddede saklanmış olma ihtimali mevcuttur.

İlk işletmeye alımdan önce cihazın içini temizleyiniz (bkz. bölüm „Cihazın temizlenmesi“).

Elektrik Bağlantısı

Priz cihaza yakın olmalıdır. Hatta cihaz yerine yerleştirildikten sonra da prize ulaşım kolay olmalıdır.

Cihaz, Koruma Sınıfı I kapsamına girer. Cihazı, topraklama kablosuna sahip, kurallara uygun bir şekilde monte edilmiş, 220-240 V/50 Hz alternatif akımlı prize takınız. Priz, 10-A - 16-A arası bir sigorta ile emniyete alınmalıdır.

Avrupa dışı ülkelerde işletilecek olan cihazlarda, belirtilen gerilim ve akım türünün, ilgili şebeke değerleriyle uyumlu olup olmadığı kontrol edilmelidir. Bu bilgileri tip plakasında bulabilirsiniz.

Resim 12

Uyarı

Cihaz kesinlikle elektronik enerji tasarrufu prizlerine takılmamalıdır.

Cihazlarımızın kullanımında sinüs ve hat komütasyonlu invertörler kullanılabilir. Hat komütasyonlu invertörler, doğrudan elektrik şebekesine bağlanan fotovoltaik sistemlerde kullanılmaktadır. Elektrik şebekesine doğrudan bağlantısı olmayan izole uygulamalarda (örneğin gemiler veya dağ evleri), sinüs komütasyonlu invertörler kullanılmalıdır.

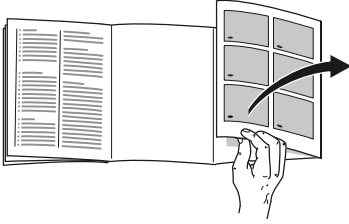
Tutamakların montajı

Resim 6

Tutamakları, cihaz yerine yerleştirildikten ve düz bir şekilde hizalandıktan sonra takınız.

1. Tutucuyu kılavuzlara sokunuz.
2. Cıvataları yerleştiriniz ve iyice sıkınız.
3. Tutamakları tutucuların üzerine sokunuz ve aşağı doğru ittiriniz. „Top“ çıkartması üstte olmalıdır.
4. Cıvatayı yerleştiriniz ve iyice sıkınız.

Cihazı tanımak



Lütfen resimlerin olduğu son sayfayı açınız. Bu kullanım kılavuzu birden fazla model için geçerlidir.

Modellere göre donanımlar farklılık gösterebilir.

Resimlerde tutarsızlıklar olabilir.

Resim **1**

- 1 Aydınlatma
- 2 Buz Twister
- 3 Dondurucu bölümdeki raf
- 4 Işık düğmesi
- 5 Kapı rafı
- 6 Kontrol paneli
- 7 Aydınlatma
- 8 Soğutucu bölmedeki raflar
- 9 Taze gıda bölümü
- 10 Koku gidericili meyve ve sebze kabı
- 11 Su çıkışı
- 12 Su kabı
- 13 Yumurta, tüpler ve kutular için kapı rafı
- 14 Büyük şişeler için kapı rafı

Kontrol paneli

Resim **2**

- 1 **„freezer/super“ Tuşu**
 - Dondurma bölümü sıcaklığının ayarlanması
 - "Süper dondurma" fonksiyonunun açılması ve kapatılması.
- 2 **„lock“ Tuşu**

Tuş kilidinin açılması ve kapatılması.
- 3 **„alarm“ Tuşu**

Uyarı sinyalinin kapatılması.
- 4 **„fridge/super“ Tuşu**
 - Soğutma bölümünün sıcaklığının ayarlanması
 - „Süper soğutma“ fonksiyonunun açılması ve kapatılması.
- 5 **Soğutucu bölme sıcaklık göstergesi**

Soğutma bölümü için ayarlanmış olan sıcaklığı gösterir.
„super“ (süper)
„Süper soğutma“ fonksiyonu açık.
„alarm“ (alarm)
Alarm fonksiyonu devrededir.
- 6 **Tuş kilidi**

„lock“ (kilit)
Tuş kilidi devrededir.
- 7 **Dondurma bölümü sıcaklık göstergesi**

Dondurma bölümü için ayarlanmış olan sıcaklığı gösterir.
„super“ (süper)
„Süper dondurma“ fonksiyonu açık.
„alarm“ (alarm)
Alarm fonksiyonu devrededir.

Cihazı çalıştırmak

Elektrik şebekesine bağladıktan sonra cihaz soğutmaya başlar. Aydınlatma, kapı açıkken devrededir.

Bir uyarı sinyali duyulur. „alarm“ tuşu ile uyarı sinyalini kapatınız.

Fabrika çıkışı aşağıdaki sıcaklıklar ayarlanmıştır ve tavsiye edilir:

- Soğutma alanı: +4 °C
- Dondurucu: -18 °C.

Çalışma ile ilgili uyarılar

- Çalıştırdıktan sonra ayarlanan sıcaklığa ulaşana kadar birkaç saat geçebilir.
- Tam otomatik Nofrost sistemi sayesinde dondurucu buzsuz kalır. Artık buz çözme gerekli değildir.
- Muhafazanın ön cephesi kısmen az da olsa ısınabilir. Bu, kapı contası alanında terleme olmasını engeller.
- Dondurucu kapısı, kapatıldıktan hemen sonra açılmıyorsa, oluşan alçak basınç eşitlenene kadar bir süre bekleyiniz.

Sıcaklığın ayarlanması

Resim 2

Soğutma bölümü

Sıcaklık +2 °C - +8 °C arası ayarlanabilir.

5 no'lu ekranda soğutma bölümü için istenen sıcaklık görünene kadar 4 no'lu „fridge/super“ tuşuna basınız.

En son ayarlanan değer kaydedilir.

Bilgiler

- Hassas yiyecekleri +4 °C'den daha yüksek bir sıcaklıkta saklamayınız.
- Yiyeceklerin kısa süreli saklanması için daha yüksek bir sıcaklık ayarlanabilir (enerji tasarruflu çalışma).
- Kapının sıkça açılması ve soğutma bölümüne büyük miktarlarda yiyecek konulması durumunda daha soğuk bir sıcaklık ayarlayınız.

Dondurucu

Sıcaklık -15 °C - -22 °C arası ayarlanabilir.

7 no'lu ekranda dondurma bölümü için istenen sıcaklık görünene kadar 1 no'lu „freezer/super“ tuşuna basınız.

En son ayarlanan değer kaydedilir.

Süper soğutma

Resim 2

Süper soğutmada soğutma bölmesi en soğuk sıcaklığa soğutulur.

Yaklaşık olarak 40 dakika sonra veya soğutma bölgesindeki sıcaklık, ayarlanmış olan sıcaklığın 2 °C altına düşerse, süper soğutma otomatik olarak kapanır.

Daha sonra, otomatik olarak, önceden ayarlanmış olan sıcaklığa geçilir.

Süper soğutma özellikle aşağıdaki durumlarda tavsiye edilir:

- Büyük miktarlarda yiyecek koymadan önce.
- İçeceklerin hızlı soğutulması için.

Açma

5 no'lu ekranda „super“ görünene kadar 4 no'lu „fridge/super“ tuşuna basınız.

Kapama

4 no'lu „fridge/super“ tuşuna basınız.

Süper dondurma

Resim 2

Vitaminleri, besin değerleri, görünüşü ve tadı korunsun diye, yiyecekler olabildiğince hızlı bir şekilde çekirdekleri ile birlikte dondurulmalıdır.

Taze yiyeceklerin yerleştirilmesi sırasında istenmeyen bir sıcaklık artışının ortaya çıkmaması için yiyecekleri yerleştirmeden bir saat önce süper dondurma modunu açınız. Genel olarak 4 - 6 saat yeterlidir. Azami dondurma kapasitesinin kullanım için 24 saat gereklidir.

48 saat sonra, otomatik olarak süper dondurmadan önceki ayarlanmış sıcaklığa geri döner.

Açma

7 no'lu ekranda „super“ görünene kadar 1 no'lu „freezer/super“ tuşuna basınız.

Kapama

1 no'lu „freezer/super“ tuşuna basınız.

Tuş kilidi

Resim 2

Tuş kilidi devredeyken, kontrol panelindeki tüm tuşlar devre dışı kalır. İstisna: Tuş kilidi devredeyken, „alarm“ tuşu ile uyarı sinyali kapatılabilir. Ayrıca cihazdan su boşaltılmaya devam edilebilir.

Açma ve kapama

2 no'lu „lock“ tuşuna basınız.

Tuş kilidi devredeyken ekranda „lock“ (kilit) yazısı belirir.

Kapatmak için 2 no'lu „lock“ tuşuna yaklaşık olarak 3 saniye boyunca basınız.

Alarm fonksiyonu

Eğer alarm tetiklenirse, bir uyarı sinyali duyulur ve ekranda „alarm“ yazısı belirir.

Uyarı sinyalini kapatmak için „alarm“ tuşuna basınız. Resim 2/3

Kapı alarmı

Kapı alarmı, cihaz kapılarından biri 1 dakikadan uzun bir süredir açıksa devreye girer.

Kapının kapatılmasıyla uyarı sinyali kapanır.

Sıcaklık alarmı

Sıcaklık alarmı, soğutma bölümü veya dondurucu çok sıcak olduğunda ve yiyecekler tehlikeye girdiğinde devreye girer.

Dondurulmuş gıda için bir risk olmadan alarm devreye girebilir:

- cihaz devreye alındığında,
- büyük miktarda taze yiyecek konulurken.

Soğutma bölümü

Ekranda sağda, soğutma bölümü sıcaklığının altında „alarm“ belirir.



Dikkat

Çiğ yiyecekler her ihtimale karşı artık kullanılmamalıdır.

Isınmış soğuk gıdayı tüketmeden önce ısıtınız.

Dondurma bölümü

Ekranda solda, dondurma bölümü sıcaklığının altında „alarm“ belirir.



Dikkat

Dondurulmuş ve çözülmüş gıdaları tekrar dondurmuyunuz. Ancak hazır yemeğe dönüştürüldükten sonra (pişirilmiş veya kızartılmış) yeniden dondurulabilir.

Dondurulmuş gıdanın azami saklama süresini artık sonuna kadar kullanmayınız.

Kullanım kapasitesi

Kullanım kapasitesiyle ilgili bilgileri tip plakasında bulabilirsiniz (bkz. bölüm „Müşteri hizmetleri“).

Soğutma bölümü

Soğutma bölümü, hazır gıdalar, unlu mamüller, konserveler, pastörize süt, sert peynir, soğuğa karşı hassas meyve ve sebzeler ile tropikal meyveler için ideal bir saklama alanıdır.

Yerleştirme sırasında dikkat edilecekler

Yiyecekleri yerleştirirken dikkat edilecekler:

- Yiyecekleri iyice paketlenmiş veya üstü kapatılmış bir şekilde yerleştiriniz. Böylece aroma, renk ve tazelik korunur. Ayrıca plastik parçaların tadının geçmesi veya renk vermesi engellenmiş olur.
- Sıcak yemek ve içeceklerin önce soğumasını bekleyiniz ve sonra cihaza yerleştiriniz.
- Hava sirkülasyonunu etkilememek için hava çıkış deliklerini yiyeceklerle bloke etmeyiniz.

Hemen hava çıkış deliklerinin önüne yerleştirilmiş olan yiyecekler, soğuk hava akışı yüzünden donabilir.

Dondurucu

Dondurucunun kullanılması

- Dondurulmuş gıdanın saklanması için.
- Buz küpleri yapmak için.
- Yiyeceklerin dondurulması için.

Bilgi

Dondurucu kapısının her zaman kapalı olduğuna dikkat ediniz! Kapı açıkken dondurulmuş gıdalar çözülür ve dondurucu buzlanır. Ayrıca: Yüksek elektrik tüketimi yüzünden boşa giden enerji!

Dondurucu kapısının kapanmasıyla bir alçak basınç oluşur. Böylece bir emme sesi duyulur. Alçak basınç eşitlenene kadar iki üç dakika kadar bekleyiniz.

Maks. dondurma kapasitesi

24 saat içerisindeki maks. dondurma kapasitesi tip plakasında belirtilmiştir (bkz. bölüm „Müşteri hizmetleri“).

Dondurma ve saklama

Dondurulmuş gıda satın almak

- Ambalajı zarar görmemiş olmalıdır.
- Son kullanma tarihine dikkat ediniz.
- Yiyeceği satın aldığınız dondurucudaki sıcaklık -18 °C veya daha soğuk olmalıdır.
- Dondurulmuş gıda mümkün olduğunca bir yalıtımlı çanta ile taşınmalıdır ve en kısa sürede dondurucuya yerleştirilmelidir.

Dondurulmuş gıdanın saklanması

Eğer çok fazla yiyecek konulacaksa, Buz-Twister ve rafı çıkarabilirsiniz.

Cihazdaki hava sirkülasyonunu etkilememek için yiyecekleri istif sınırının dışına taşmayacak şekilde yerleştiriniz.

Taze yiyeceklerin dondurulması

Dondurmak için sadece taze ve uygun yiyecekler kullanınız.

Besin değeri, aroma ve rengi en iyi şekilde koruyabilmek için, dondurmadan önce sebzeler kaynar su ile şoklanmalıdır. Patlıcan, biber, kabak ve kuşkonmazda bu işleme gerek yoktur.

Dondurma ve şoklama ile ilgili kitapları kitapçılarda bulabilirsiniz.

Bilgi

Dondurulacak olan yiyecekleri, zaten donmuş olan yiyeceklerle temas ettirmeyiniz.

- Dondurulmaya uygun gıdalar şunlardır:
Unlu mamüller, balık ve deniz ürünleri, et, av eti, kümes hayvanları, sebze, meyve, otlar, kabuksuz yumurta, peynir, tereyağı ve çökelek gibi süt ürünleri, hazır yiyecekler ve çorbalar, güveçler, pişmiş et ve balık gibi yemek artıkları, patates yemekleri, sufleler ve tatlılar.
- Dondurulmaya uygun olmayan gıdalar: Normalde çiğ olarak tüketilen marul ve turp gibi sebze çeşitleri, kabuklu yumurta, üzüm, bütün elma, armut ve şeftali, katı pişirilmiş yumurta, yoğurt, kesilmiş süt, ekşi krema, Creme Fraiche ve mayonez.

Dondurulmuş gıda paketlemesi

Tadlarını kaybetmesin ve kurumasin diye, yiyecekleri hava almayacak şekilde paketleyiniz.

1. Yiyecekleri ambalajına yerleştiriniz.
2. Bastırarak havasını alınız.
3. Ambalajı sıkıca kapatınız.
4. Ambalajın üzerine içeriğini ve dondurucuya yerleştirme tarihini yazınız.

Ambalaj olarak uygun olanlar:

Plastik folyo, polietilen tüp film, alüminyum folyo, dondurucu kutuları. Bu ürünleri yetkili satıcılarda bulabilirsiniz.

Ambalaj için uygun olmayanlar:

Ambalaj kağıdı, parşömen kağıdı, selofan, çöp torbaları ve kullanılmış alışveriş torbaları.

Sızdırmazlığı sağlamak için uygun olanlar:

Lastik bantlar, plastik klipler, ip, soğuca karşı dayanıklı yapışkan bantlar veya benzeri.

Poliyeten torba ve tüp filmler bir folyo kaynak cihazı ile kaynatılabilir.

Dondurulmuş gıdanın saklama ömrü

Yiyeceğin türüne bağlı olarak.

-18 °C'lik bir sıcaklıkta:

- Balık, sucuk, hazır yemekler, unlu mamüller:
6 ay'a kadar.
- Peynir, kümes hayvanları, et:
8 ay'a kadar.
- Sebze, meyve:
12 ay'a kadar.

Dondurulmuş gıdanın çözülmesi

Türüne ve kullanım amacına göre aşağıdaki seçenekler den biri seçilebilir:

- oda sıcaklığında
- buzdolabında
- sıcak hava fanlı/fansız elektrikli fırında
- mikrodalga cihazı.

Dikkat

Dondurulmuş ve çözülmüş gıdaları tekrar dondurmuyunuz. Ancak hazır yemeğe dönüştürüldükten sonra (pişirilmiş veya kızartılmış) yeniden dondurulabilir.

Dondurulmuş gıdanın azami saklama süresini artık sonuna kadar kullanmayınız.

Buz ve su çıkışı

Cihazın buz ve su çıkışı üzerinden buz küpleri ve soğuk su alınabilir.

İçme suyu kalitesini dikkate alınız

Su çıkışına ait kullanılan tüm malzemeler kokusuz ve tatsızdır.

Su ağızda bir tat bırakıyorsa, aşağıdaki nedenlerden dolayı olabilir:

- İçme suyunun mineral ve klor içeriği.
- İçme suyunun tazeliği.
Uzun süre boyunca su alınmadıysa, suyun tadı "bayat" olabilir. Bu durumda su kabını boşaltınız ve taze su ile doldurunuz.

Buz alımı

Resim **7**

1. Su kabını çekerek çıkarınız.
2. Su kabının doldurma düzeneğini açınız.
3. Su kabını işaret çizgisine kadar taze su ile doldurunuz ve doldurma düzeneğini kapatınız.

Bilgi

- Su kabının dış yüzeyini ve ağızını ovarak kurutunuz.
- 4. Su kabını buz-twister içerisine itiniz.
- 5. Buz küpleri donduğunda çevirme kolunu sağa doğru çeviriniz. Buz küpleri ayrılır ve buz kabına düşer.
- 6. Buz kabını çekip çıkarınız ve içerisinden buz küplerini alınız.

Su alımı

Resim 8

1. Su kabının doldurma düzeneğini açınız.
2. İşaret çizgisine kadar su kabını su ile doldurunuz.

Bilgi

Su kabını sadece su ile doldurunuz.

3. Bardağı su alma kısmına doğru bastırınız.

Donanım

İç alana ait rafları ve kapı raflarını ihtiyaçlarınıza göre değiştirebilirsiniz:

- Rafı kaldırınız ve öne doğru çekiniz.
- Kapı rafını kaldırınız ve çıkarınız.

Taze gıda bölmesi

Taze gıda bölümünde, soğutucu bölmeye göre daha düşük bir sıcaklık hakimdir. 0 °C'nin altında sıcaklıklar da oluşabilir.

Balık, et ve sucuk saklamak için ideal. Salatalar, sebze ve soğuğa karşı duyarlı ürünlere uygun değildir.

Taze gıda bölümünün düzgün çalışabilmesi için tamamen kapalı ve üzerindeki raf yerine oturmuş olmalıdır.

Koku filtresi

Soğutma bölümündeki rahatsız edici kokular koku filtresiyle engellenir.

Tavsiye: Keskin kokulu yiyecekler, her şeye rağmen iyice kapatılmış kaplar içerisinde saklanmalıdır.

Koku filtresinin etkisi azaldığı zaman, çok kolay yöntemlerle yeniden işlevsel hale getirilebilir:

1. Koku filtresini çıkarınız.
2. Bir saç kurutma makinesi ile kurutunuz.
3. Kötü kokuların artıklarını yok etmek için koku filtresini güneş altına bırakınız (Koku bileşikleri, ultraviyole ışık sayesinde ayrışır).
4. Koku filtresini tekrar takınız.

Nem kontrollü sebze kabı

Resim 9

Sebze, salata ve meyve için en iyi saklama ortamını sağlayabilmek için, saklama hacmine bağlı olarak sebze kabındaki nem ayarlanabilir.

Küçük miktarlarda yiyecek -

Ayarlayıcıyı sola doğru kaydırınız.

Büyük miktarlarda yiyecek -

Ayarlayıcıyı sağa doğru kaydırınız.

Cihazın kapatılması ve beklemeye alınması

Cihazın kapatılması

Fişi çekiniz veya sigortayı kapatınız. Sıcaklık göstergesi söner ve soğutucu kapanır.

Cihazın beklemeye alınması

Eğer cihaz uzun bir süre kullanılmayacaksa:

1. Fişi çekiniz veya sigortayı kapatınız.
2. Cihazı temizleyiniz.
3. Cihaz kapısını açık bırakınız.

Cihazın temizlenmesi

Dikkat

- Kum, klorür ya da asit içeren temizlik maddeleri ve solventler kullanmayınız.
- Aşındırıcı veya çizen süngerler kullanmayınız.
Metal yüzeylerde korozyon meydana gelebilir.
- Rafları ve kapları asla bulaşık makinesinde yıkamayınız.
Parçalar deformasyona uğrayabilir!

Temizleme suyu

- Dondurucu tabanının ön kısmındaki deliklere
- Kontrol paneline
- ve aydınlatmaya gelmemelidir.

Aşağıdaki gibi hareket ediniz:

1. Temizlikten önce fişi çekiniz veya sigortayı kapatınız!
2. Dondurulmuş gıdaları çıkarınız ve serin bir yerde saklayınız. Yiyeceklerin üzerine buz aküleri (eğer paketten çıktıysa) yerleştiriniz.
3. Cihazı yumuşak bir bez, ılık su ve pH değeri nötr olan biraz bulaşık deterjanı ile temizleyiniz. Deterjanlı su aydınlatmaya gelmemelidir.
4. Kapı contasını duru su ile siliniz ve sonra iyice kurulayınız.
5. Temizlik sona erdikten sonra cihazı çalıştırınız.
6. Dondurulmuş gıdaları tekrar cihaza yerleştiriniz.

Donanım

Temizlik için, cihazın deęişken tüm parçaları yerinden sökülebiliyor.

Rafların çıkarılması

Rafı kaldırınız ve öne doğru çekiniz.

Kapı raflarının çıkarılması

Kapı rafını kaldırınız ve çıkarınız.

Buz twister'ına ait rezervuarı ve su kabını çıkarınız

Resim 10

1. Su kabını ve rezervuarı alınız.
2. Su kabının kapağını açınız ve su kabını boşaltınız.
3. Su kabının ve rezervuarın parçalarını temiz su ile temizleyiniz ve kuru bir bez ile siliniz.

Su kabının çıkarılması

Resim 11

1. Su kabını çıkarınız.
2. Su kabının kapağını açınız ve su kabını boşaltınız.
3. Su kabının parçalarını temiz su ile temizleyiniz ve kuru bir bez ile siliniz.

Enerji tasarrufu

- Cihazı kuru, havalandırılabilen bir odaya yerleştiriniz! Cihaz, doğrudan güneşe maruz bırakılmamalıdır veya ısı kaynaklarının yakınına yerleştirilmemelidir (örneğin ısıtıcılar, fırın).
Gerekliyse bir izolasyon plakası kullanınız.
- Sıcak yiyecek ve içeceklerin önce soğumasını bekleyiniz ve sonra cihaza yerleştiriniz!
- Dondurulmuş gıdaların çözülmesi için, onları soğutma bölmesine koyunuz. Dondurulmuş gıdaları soğutun, yiyecekleri soğutmak için kullanılması.
- Cihazı, olabildiğince kısa süreler için açınız!
- Cihazın arkası, elektrik tüketiminin artmasını önlemek için, arada bir elektrikli süpürge veya fırça ile temizlenmelidir.

Aydınlatma (LED)

Cihazınız, bakım gerektirmeyen bir LED aydınlatma ile donatılmıştır.

Bu aydınlatma üzerinde yapılacak olan onarım işleri, yalnızca müşteri hizmetleri veya yetkili uzman personel tarafından yürütülebilir.

Çalışma sesleri

Tamamen normal sesler

Uğultu

Motor çalışması (örneğin soğutma üniteleri, fan).

Köpürme, pırpır veya guruldama sesleri

Borulardan soğutucu madde geçiyor.

Tıklama sesi

Motor, şalter veya manyetik valfler açılıp kapanıyor.

Çatırdama

Otomatik buz çözme gerçekleşiyor.

Seslerin önlenmesi

Cihaz düz durmuyor

Lütfen cihazı bir su terazisi yardımıyla düz hale getiriniz. Bunun için vidalı ayakları kullanınız veya altına bir şey koyunuz.

"Cihaz" dayanıyor

Cihazı, dayandığı mobilyalardan veya cihazlardan iterek ayırınız.

Kaplar veya raflar sallanıyor veya sıkışmış

Lütfen çıkarılabilir parçaları kontrol ediniz ve onları yeniden yerleştiriniz.

Şişeler veya kaplar birbirlerine dokunuyor

Lütfen şişeleri veya kapları hafifçe birbirlerinden ayırınız.

Küçük arızaları kendi kendinize giderme

Müşteri hizmetlerini aramadan önce:

Arızayı, aşağıdaki bilgilere istinaden kendiniz giderip gidemeyeceğinizi kontrol ediniz.

Müşteri hizmetleri danışma bedelini kendiniz ödemek zorundasınız – cihaz garanti kapsamında olsa bile!

| Arıza | Olası neden | Çözüm |
|----------------------------|--|--|
| Soğutma bölmesi çok soğuk. | Daha soğuk dondurucu sıcaklıkları da, daha soğuk soğutma bölmesi sıcaklıklarına neden olabilir. Bu teknik bir olaydır. | Soğutma bölmesinin sıcaklığını biraz yükseltiniz. Eğer bu yeterli gelmiyorsa, örneğin çok soğuk ortam sıcaklıklarında, dondurucu sıcaklığını da biraz daha yükseltiniz. |

| Arıza | Olası neden | Çözüm |
|--|--|--|
| Dondurucudaki sıcaklık çok fazla. | Cihazın çok fazla açılması. | Cihazı gereksiz yere açmayınız. |
| | Havalandırma delikleri kapalıdır. | Engelleri kaldırınız. |
| | Büyük miktarlardaki yiyeceğin dondurulması. | Maks. dondurma kapasitesini aşmayınız. |
| Sıcaklık, ayarlanan sıcaklığa göre çok fazla farklılık gösteriyor. | | Bazı durumlarda cihazı 5 dakikalığına kapattığınızda yeterli oluyor. Eğer sıcaklık çok fazlaysa, birkaç saat sonra, bir sıcaklık yaklaşımı gerçekleşip gerçekleşmediğini kontrol ediniz. Eğer sıcaklık çok soğuksa, bir sonraki gün bir kez daha kontrol ediniz. |
| Aydınlatma çalışmıyor. | LED aydınlatma arızalı. | Bkz. bölüm „Aydınlatma (LED)“. |
| | Cihaz çok uzun süre açık kaldı. Aydınlatma yaklaşık olarak 10 dakika sonra kapanır. | Cihazın kapısı kapatılıp açıldıktan sonra, aydınlatma tekrar çalışır. |
| | Işık şalteri sıkışmış. | Işık şalterinin hareket edip etmediğini kontrol ediniz. Resim 1/4 |
| Gösterge görünmüyor. | Eğer cihaz bir süreliğine kullanılmazsa, kumanda panelindeki gösterge enerji tasarrufu moduna geçer. | Cihaz kullanılabilir kullanılmaz, örneğin kapıların açılması gibi, gösterge yine normal haline döner. |
| | Elektrik kesintisi; sigorta atmış; fiş tam oturmamış. | Fişi takınız. Elektrik olup olmadığını, sigortaları kontrol ediniz. |

| Arıza | Olası neden | Çözüm |
|--|---|--|
| Uyarı sinyali duyulur ve ekranda „alarm“ yazısı belirir. | Cihaz kapılarından biri 1 dakikadan daha uzun bir süredir açık kaldı. | Cihaz kapılarını kapatınız. |
| | Ekranında sağda, soğutma bölümü sıcaklığının altında „alarm“ belirir. Soğutma bölümü çok sıcak! | Uyarı sinyalini kapatmak için „alarm“ tuşuna basınız. Resim 2/3 Bilgi Soğutma bölümü fazla ısındıysa, dondurulmuş gıda yenmeden önce ısıtılmalıdır. Çiğ yiyecekler her ihtimale karşı artık kullanılmamalıdır. |
| | Soğutmak için bir kerede çok fazla yiyecek konulmuş. | Büyük miktarlarda yiyecekleri koymadan önce „Super-soğutma“ fonksiyonunu açınız. |
| | Ekranında solda, dondurma bölümü sıcaklığının altında „alarm“ belirir. Dondurma bölümü çok sıcak! | Uyarı sinyalini kapatmak için „alarm“ tuşuna basınız. Resim 2/3 Bilgi Dondurulmuş ve çözülmüş gıdaları tekrar dondurmayınız. Ancak hazır yemeğe dönüştürüldükten sonra (pişirilmiş veya kızartılmış) yeniden dondurulabilir. Dondurulmuş gıdanın azami saklama süresini artık sonuna kadar kullanmayınız. |
| | Dondurucuya bir kerede çok fazla yiyecek konulmuş. | Zamane dondurma kapasitesini aşmayınız. Büyük miktarlarda yiyeceği koymadan önce „Süper dondurma“ fonksiyonunu açınız. |
| | Havalandırma deliklerinin üzeri kapalıdır. | Engelleri kaldırınız. |

| Arıza | Olası neden | Çözüm |
|--|--|--|
| Su kabının doldurulması sırasında buz-twister'ının alt tarafından su akıyor. | Su kabının ağzında bir buz tabakası oluşmuş. | Su kabını temizleyiniz, bakınız Bölüm cihaz temizleme. |

Müşteri hizmetleri

Size en yakın müşteri hizmetlerini telefon rehberinden veya müşteri hizmetleri dizininden bulabilirsiniz. Lütfen müşteri hizmetlerine cihazın ürün numarasını (E-No.) ve üretim numarasını (FD-No.) veriniz.

Bu bilgileri tip plakasında bulabilirsiniz. Resim 12

Lütfen ürün ve üretim numaralarını belirterek, servisin gereksiz yere gelmesini önlemeye yardımcı olunuz. Böylece, buna bağlı ek masraflardan tasarruf etmiş olursunuz.

Arızalarda onarım siparişi ve danışmanlık

Tüm ülkelere ait iletişim bilgilerini, ekteki müşteri hizmetleri dizininden bulabilirsiniz.

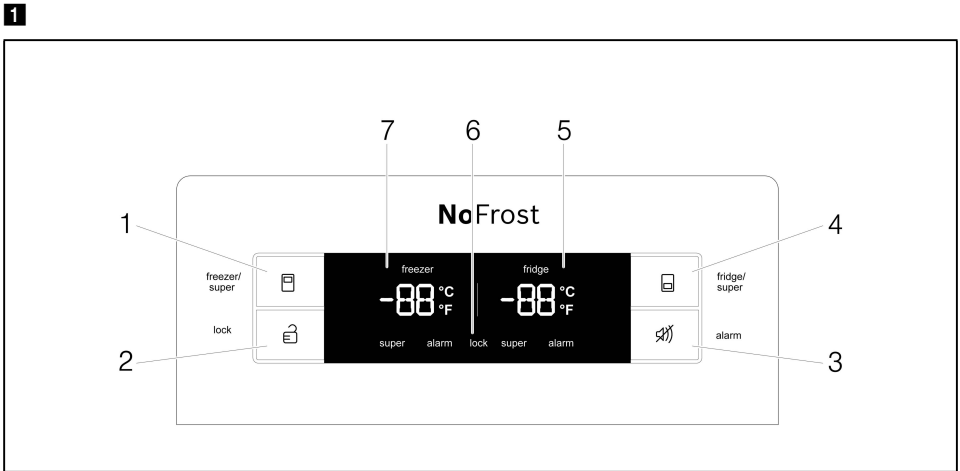
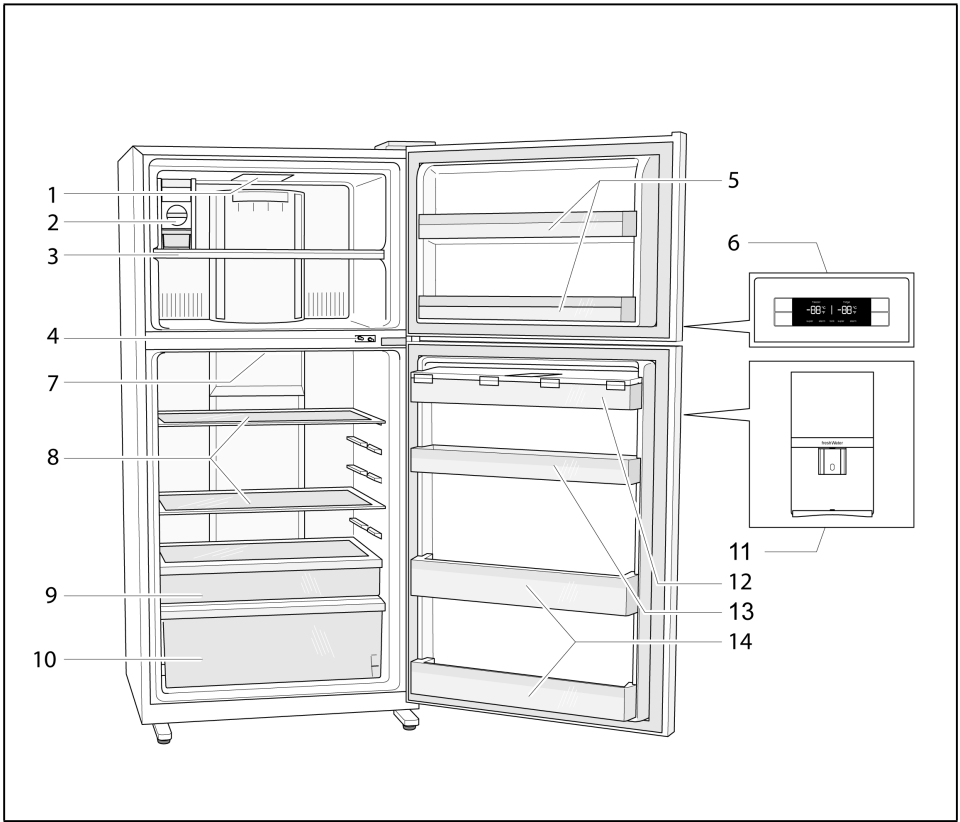
TR 444 6333

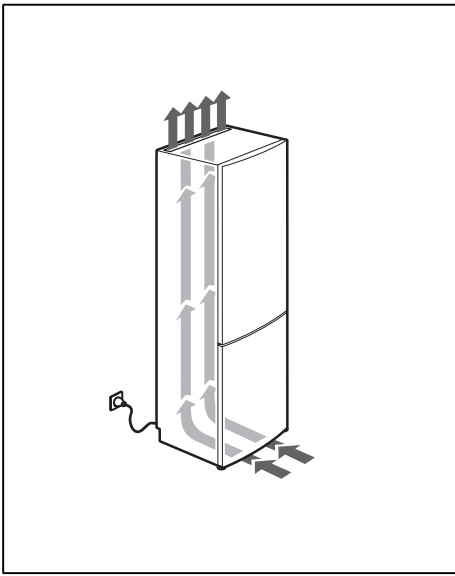
Kullanım Süresi: 10 YIL (Ürünün fonksiyonunu yerine getirebilmesi için gerekli yedek parça bulundurma süresi).

Garanti Şartları

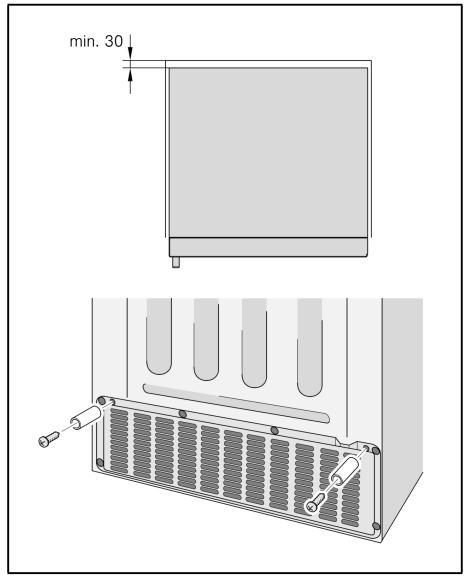
- Malın ayıplı olduğunun anlaşılması durumunda tüketici, 6502 sayılı Tüketicinin Korunması Hakkında Kanununun 11 inci maddesinde yer alan;
 - Sözleşmeden dönme,
 - Satış bedelinden indirim isteme,
 - Ücretsiz onarılmasını isteme,
 - Satılanın ayıpsız bir misli ile değiştirilmesini isteme,
 haklarından birini kullanabilir.
- Tüketicinin bu haklarından ücretsiz onarım hakkını seçmesi durumunda satıcı; işçilik masrafı, değiştirilen parça bedeli ya da başka herhangi bir ad altında hiçbir ücret talep etmeksizin malın onarımını yapmak veya yaptırmakla yükümlüdür. Tüketici ücretsiz onarım hakkını üretici veya ithalatçıya karşı da kullanılabilir. Satıcı, üretici ve ithalatçı tüketicinin bu hakkını kullanmasından müteselsilen sorumludur.

- Tüketicinin, ücretsiz onarım hakkını kullanması halinde malın;
 - Garanti süresi içinde tekrar arızalanması,
 - Tamiri için gereken azami sürenin aşılması,
 - Tamirinin mümkün olmadığına, yetkili servis istasyonu, satıcı, üretici veya ithalatçı tarafından bir raporla belirlenmesi durumlarında;
 tüketici malın bedel iadesini, ayıp oranında bedel indirimini veya imkan varsa malın ayıpsız misli ile değiştirilmesini satıcıdan talep edilir. Satıcı, tüketicinin talebini reddedemez. Bu talebin yerine getirilmemesi durumunda satıcı, üretici ve ithalatçı müteselsilen sorumludur.
- Malın kullanım kılavuzunda yer alan hususlara aykırı kullanılmasından kaynaklanan arızalar garanti kapsamı dışındadır.
- Tüketici, garantiden doğan haklarının kullanılması ile ilgili olarak çıkabilecek uyuşmazlıklarda yerleşim yerinin bulunduğu veya tüketici işleminin yapıldığı yerdeki Tüketici Hakem Heyetine veya Tüketici Mahkemesine başvurabilir.

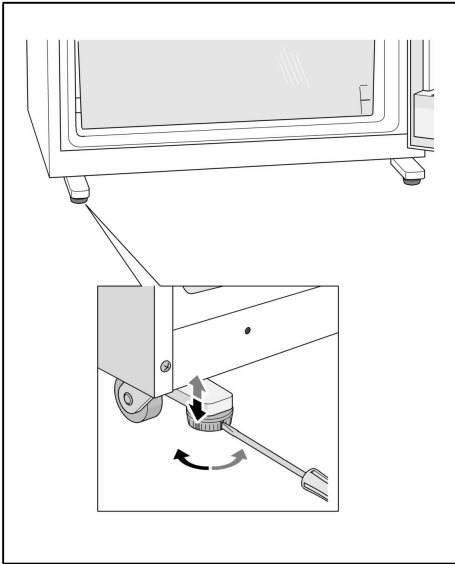




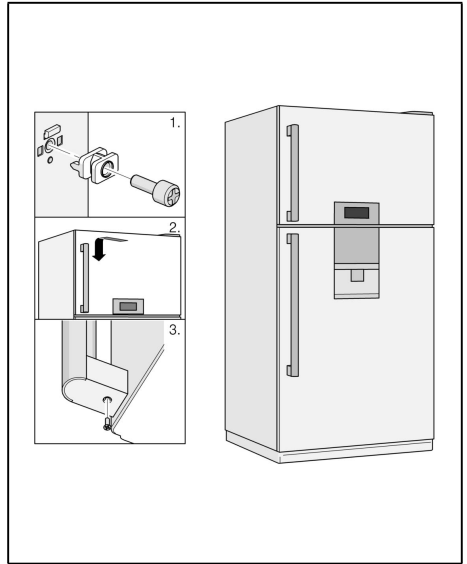
3



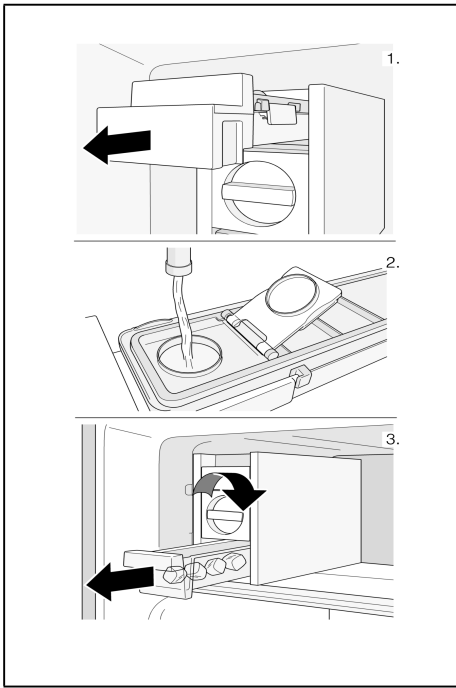
4



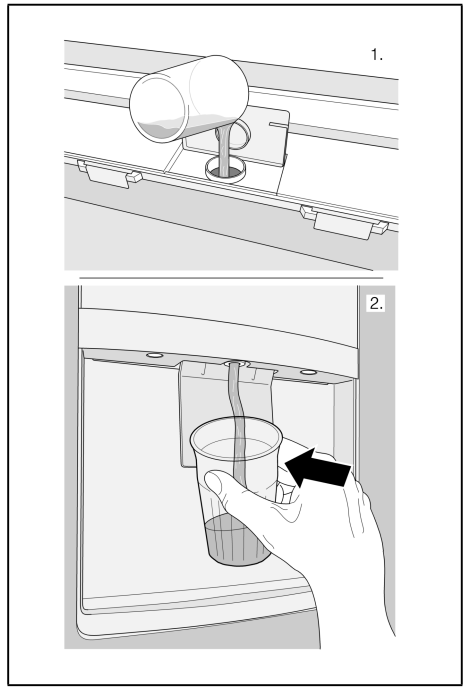
5



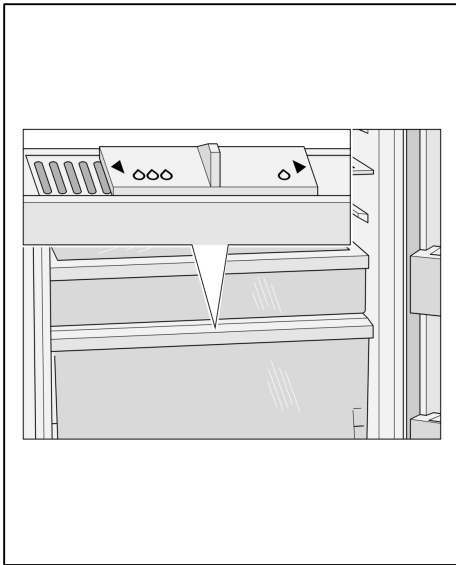
6



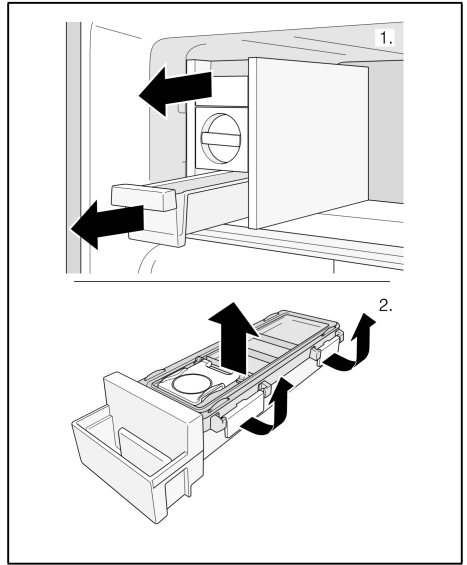
7



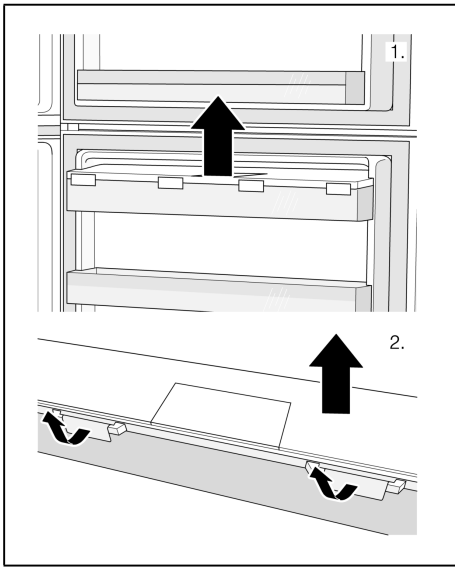
8



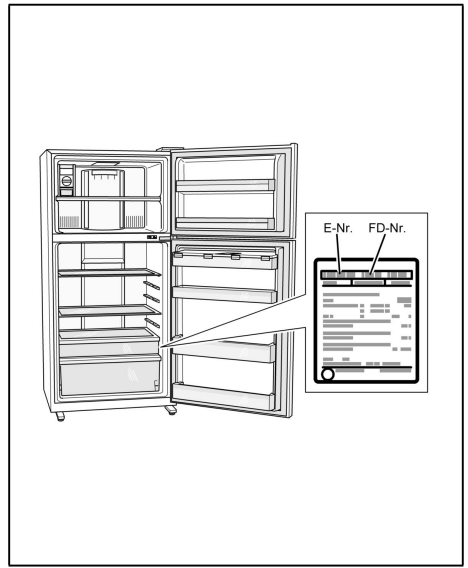
9



10



11



12

EEE Yönetmeliğine Uygundur

Robert Bosch Hausgeräte GmbH

Carl-Wery-Straße 34

81739 München, GERMANY

www.bosch-home.com



9000772643 (9604)

en, fr, it, el, tr