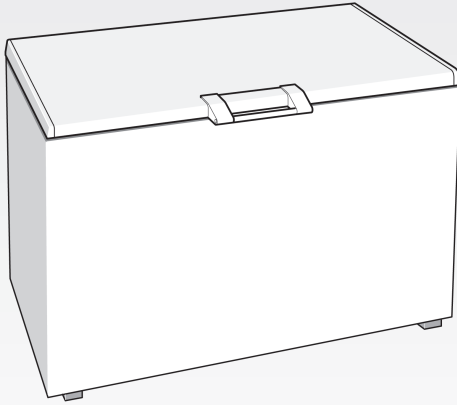


# PROFİLO

---

dayanıklı ev aletleri

en Operating and installation ru инструкция по  
instructions эксплуатации и  
tr Kullanma ve montaj установка  
kılavuzu



DF6..

---

## en Index

|  |    |  |    |
|--|----|--|----|
| Safety and warning information .....               | 4  | Freezing and storing .....   | 11 |
| Directions for disposal .....                      | 6  | Freezing fresh food .....  | 11 |
| Scope of delivery .....                            | 6  | SuperFreezing .....  | 12 |
| Installing the appliance .....                     | 6  | Defrosting frozen food .....   | 13 |
| Note the room temperature<br>and ventilation ..... | 7  | Features of the appliance .....                                      | 13 |
| Connecting the appliance .....                     | 8  | Switching the appliance off<br>and putting it out of operation ..... | 13 |
| Getting to know the appliance .....                | 9  | Defrosting .....   | 14 |
| Control panel .....                                | 9  | Cleaning the appliance .....   | 15 |
| Putting the appliance into operation .             | 10 | Saving energy .....  | 15 |
| Warning messages .....                             | 10 | Operating noises .....   | 16 |
| Utilisable volume .....                            | 10 | Rectifying minor faults yourself .....                               | 16 |
| Freezer compartment .....                          | 10 | After-sales service .....  | 18 |
| Max. freezing capacity .....                       | 11 |  |    |

---

## tr İçindekiler

|   |    |  |    |
|---|----|--|----|
| Güvenlik Bilgileri ve Uyarılar .....                          | 19 | Azami dondurma kapasitesi .....                    | 26 |
| Atıkların yok edilmesiyle ilgili uyarılar                     | 21 | Dondurma ve saklama .....                          | 26 |
| Paket içeriği .....   | 21 | Taze yiyeceklerin dondurulması .....               | 26 |
| Cihazın kurulması .....                                       | 22 | Süper dondurma .....                               | 27 |
| Oda sıcaklığına ve Havalandırmaya<br>dikkat edilmelidir ..... | 22 | Dondurulmuş gıdanın çözülmesi .....                | 28 |
| Cihazın bağlanması .....                                      | 23 | Cihaz donanımı .....                               | 28 |
| Cihazı tanımak .....  | 24 | Cihazın kapatılması ve beklemeye<br>alınması ..... | 28 |
| Kumanda paneli .....  | 24 | Buz çözme .....                                    | 29 |
| Cihazın işleme alınması .....                                 | 25 | Cihazın temizlenmesi .....                         | 30 |
| Uyarı mesajları .....   | 25 | Enerji tasarrufu .....                             | 30 |
| Kullanım kapasitesi .....                                     | 25 | Çalışma sesleri .....                              | 31 |
| Dondurucu .....   | 25 | Küçük arızaları kendi kendinize<br>giderme .....   | 31 |
|   |    | Müşteri hizmetleri .....                           | 33 |

---

## ru Оглавление

|  |    |  |    |
|--|----|--|----|
| Указания по технике безопасности             | 34 | Замораживание свежих продуктов                   | 41 |
| Указания по утилизации                       | 36 | Суперзаморозка                                   | 42 |
| Комплект поставки                            | 36 | Размораживание замороженных продуктов            | 43 |
| Установка прибора                            | 37 | Комплектация прибора                             | 43 |
| Температура воздуха в помещении и вентиляция | 37 | Выключение и вывод прибора из эксплуатации       | 43 |
| Подключение прибора                          | 38 | Размораживание                                   | 44 |
| Знакомство с прибором                        | 39 | Очистка прибора                                  | 45 |
| Панель управления                            | 39 | Экономия электроэнергии                          | 45 |
| Ввод прибора в эксплуатацию                  | 40 | Шумы во время работы                             | 46 |
| Предупреждающие сообщения                    | 40 | Самостоятельное устранение мелких неисправностей | 46 |
| Полезный объём                               | 40 | Сервисная служба                                 | 48 |
| Морозильное отделение                        | 40 |  |    |
| Максимальная мощность замораживания          | 41 |  |    |
| Замораживание и хранение продуктов           | 41 |  |    |

---

## Safety and warning information

### Before you put the appliance into operation

Carefully read through the instructions for use and assembly instructions. They contain important information on setting up, using and maintaining the appliance.

The manufacturer is not liable for any damage caused by users ignoring the information and warnings contained in the instructions for use.

Retain all documents for later use or for subsequent owners.

### Technical safety

The appliance contains a small quantity of the environmentally-friendly, though flammable, refrigerant R600a. Make sure that the pipes of the refrigerant circuit are not damaged during transport or installation. If refrigerant shoots out, it may ignite or cause eye injuries.

In the event of damage:

- Keep open flames or sources of ignition away from the appliance.
- Switch off the appliance and unplug it from the mains.
- Ventilate the room well for a few minutes.
- Inform the after-sales service.

The more refrigerant an appliance contains, the larger the room must be in which it stands. If there is a leak and the room is too small, a flammable gas-air mixture may form.

The room must be at least 1 m<sup>3</sup> in size for each 8 g of refrigerant. The volume of refrigerant in your appliance is listed on the rating plate inside the appliance.

If the mains connection cable for this appliance is damaged, it must be replaced by the manufacturer, the after-sales department or a similarly qualified person. Incorrect installations and repairs may put the user at considerable risk.

Repairs must only be carried out by the manufacturer, after-sales service, or a similarly qualified person.

Only original parts from the manufacturer must be used. The manufacturer can only guarantee that the safety requirements are met if these parts are used.

A mains cable extension lead must only be procured from the after-sales service.

## During use

- Never use electrical appliances inside the appliance (e.g. heaters, electric ice makers, etc.). Risk of explosion!
- Never defrost or clean the appliance with a steam-cleaning device. The steam may reach electrical parts and trigger a short circuit. Risk of electric shock!
- Do not use pointed or sharp objects to remove layers of ice and frost. You could damage the refrigerant pipes. If refrigerant shoots out, it may ignite or cause eye injuries.
- Do not store products with flammable propellant gases (e.g. spray cans) or explosive substances inside the appliance. Risk of explosion!
- Do not misuse the base, rails, doors, etc. as a step or support.
- For defrosting and cleaning, unplug the appliance from the mains or switch off the fuse. Pull on the mains plug, not on the connecting cable.
- Only store high-proof alcohol tightly sealed and in an upright position.
- Do not contaminate plastic parts or door seals with oil or grease. Plastic parts and door seals will otherwise become porous.
- Never cover or block ventilation openings for the appliance.
- Children and people with impaired physical, sensory, or mental abilities or who lack knowledge of the appliance must only use it if they are supervised by a person who will take responsibility for their safety or who have learned how to use the appliance by reading this manual.

- Do not store liquids in bottles or tins in the freezer compartment (in particular carbonated drinks). Bottles and tins may burst.
- Never eat frozen foods immediately after they have been taken out of the freezer compartment. Risk of freezer burn!
- Avoid prolonged hand contact with frozen foods, ice, and the evaporator tubes, etc. Risk of freezer burn!

## Children in the household

- Do not give packaging or packaging parts to children. Risk of suffocation from cardboard boxes and films!
- The appliance is not a toy.
- For appliances with a door lock: Keep the key out of the reach of children!

## General requirements

The appliance is suitable for the following tasks:

- Freezing food
- Making ice cubes.

This appliance is intended for domestic use in private households and for a domestic environment.

The appliance is fitted with interference suppression in accordance with EU Directive 2004/108/EC.

The refrigeration circuit has been checked for leak tightness.

This appliance corresponds to the relevant safety requirements for electrical appliances (EN 60335-2-24).

## Directions for disposal

### Disposing of packaging

The packaging protects your appliance from damage during transport. All the materials used are environmentally friendly and can be recycled. Please help by Disposing of the packaging in an environmentally-responsible manner.

You can obtain information about current disposal methods from your specialist dealer or local council.

### Disposing of your old appliance

Old appliances are not useless waste. Valuable raw materials can be recovered through environmentally responsible disposal.



This appliance is marked in accordance with European directive 2002/96/EC regarding old electric and electronic appliances (waste electrical and electronic equipment - WEEE). The directive provides a framework for the collection and recycling of old appliances, which is valid across the EU.

### Warning

For worn-out appliances:

1. Unplug the mains plug.
2. Cut the power cord and remove it along with the mains plug.
3. Do not remove the shelves and containers. Leaving them intact makes it more difficult for children to climb in.
4. Never let children play with a disused appliance. Risk of asphyxiation!

Refrigerators contain refrigerant as well as gases in the insulation material. Refrigerant and gases must be disposed of properly. Do not damage the refrigerant circuit pipes before disposing of them properly.

## Scope of delivery

After unpacking the appliance, check all parts for transport damage.


If you wish to make a complaint, please contact the dealer from whom you purchased the appliance or our after-sales service.

The scope of delivery includes the following parts:

- Free-standing appliance
- Features (vary depending on the model)
- Instructions for use
- After-sales service booklet
- Guarantee slip
- Information on energy consumption and noises
- Bag of assembly materials.

## Installing the appliance

### Transport

For transport, smooth-running rollers are attached to the appliance. Figure 

### Warning

If required, secure the appliance against rolling away.

## Removing the transport locks

Figure **3** (not on all models)

Remove the four transport locks that are attached between the chest lid and the appliance.

Place two of these transport locks on the holders provided for them on the rear of the appliance. This will maintain the minimum distance from the wall, meaning that the chest lid can be opened properly and that adequate ventilation is ensured. This means that the appliance will achieve its stated energy consumption.

## Location

The ideal installation location is a dry, well-ventilated room. The installation location should not be subject to direct sunlight or be near a heat source such as a cooker, heating element, etc. If setting up the appliance next to a heat source is unavoidable, use a suitable insulating plate or observe the following minimum distances from the heat source:

- 3 cm from an electric or gas cooker.
- 30 cm from oil or solid fuel cookers.

If the appliance is placed against the wall, there must be a minimum distance of 70 mm to the back panel and to the side panels.

## Floor surface

The floor at the installation location must not buckle and you may have to reinforce the floor.

Use a spirit level to align the appliance.

Level out any unevenness in the ground using support spacers.

## Note the room temperature and ventilation

### Ambient temperature

The appliance is designed for a certain climate class. Depending on the climate class, the appliance can be operated at the following ambient temperatures.

The climate class is specified on the rating plate, figure **11/10**.

| Climate class | Permissible ambient temperature |
|---------------|---------------------------------|
| SN            | +10 °C to 32 °C                 |
| N             | +16 °C to 32 °C                 |
| ST            | +16 °C to 38 °C                 |
| T             | +16 °C to 43 °C                 |

### Note!

The appliance can function within the ambient temperature limits of the specified climate class.

If an appliance in the SN climate class is operated at lower ambient temperatures, damage to the appliance can be excluded up to a temperature of +5 °C.

## Ventilation

Figure **10**

The air on the appliance's back panel and side panels heats up. The heated air must be able to escape unimpeded. Otherwise, the refrigerating unit has to work harder, which increases the appliance's power consumption. Therefore: You must never cover or block the ventilation openings!

---

## Connecting the appliance

After setting up the appliance, wait for at least 1 hour before starting the appliance up. The oil contained in the compressor may have been displaced into the refrigeration system during transport.

Before starting the appliance up for the first time, clean its interior (see section "Cleaning the appliance").

### Electrical connection

The socket must be near to the appliance and easily accessible after the appliance has been installed.

The appliance conforms to protection class I. Connect the appliance to a 220-240 V/50 Hz alternating current supply using a socket with protective earthing conductor which has been correctly installed. The socket must be protected by a fuse with a rating of 10 A to 16 A.

In the case of appliances operated outside of Europe, check whether the voltage and type of current specified conform to the values of your electricity grid. You will find this information on the rating plate, figure **11**.

### Warning

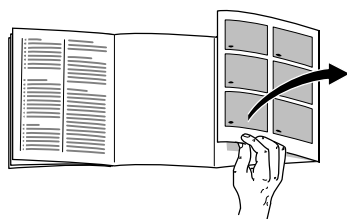
The appliance must never be connected up to an electronic energy-saving socket.

Sinusoidal-commutated and line-commutated inverters can be used with our appliances. Line-commutated inverters are used with photovoltaic systems that are connected directly to the national grid.

Sinusoidal-communicated inverters must be used with standalone applications (e.g. on ships or mountain huts) that do not have a direct connection to the national grid.



## Getting to know the appliance



Fold out the last page that contains the figures. These instructions for use apply for several models.

Deviations between the figures are possible.

Figure **1**

\* Not available on all models

### 1-5 Control panel

#### 6 Interior light \*

#### 7 Basket \*

#### 8 Storage compartment

#### 9 Condensation drainage with drain plug

#### 10 Rating plate

#### 11 Pre-freezing compartment \*

#### 12 Removable separating wall \*

## Control panel

Figure **2**

### 1 "eco" setting

If the appliance is only partially filled (on appliances with a separating wall, maximum fill level is up to the "e" marking on the separating wall), this setting can be selected in order to save energy.

### 2 Temperature selector

To adjust the freezer compartment temperature, turn the temperature selector using a coin.

Position 1: Highest temperature

Position 6: Lowest temperature

### 3 "alarm" indicator

The red indicator lights up if the freezer compartment is too warm.

### 4 "power" indicator

The green indicator lights up if the appliance is switched on.

### 5 "super" button

This is used to switch the SuperFreezing function on and off.

The yellow indicator lights up if the SuperFreezing function is switched on.

---

## Putting the appliance into operation

### Switching on the appliance

- Once it is connected, the appliance is switched on and the green indicator figure **2/4** lights up.
- If the red indicator lights up (figure **2/3**), this means that the temperature in the appliance is too high and you must only put frozen food in the freezer once this red indicator has gone out.

### Setting the temperature

The temperature selector is set to position 4 at the factory.

To change the temperature, turn the temperature selector, figure **2/2**.

Position 1: Highest temperature

Position 6: Lowest temperature

**Important:** Changes to the temperature take time to come into effect.

### Notes on using the appliance

- When you switch on the appliance, the temperature for the freezer compartment is automatically set to approx. -18 °C if no temperature has been entered.
- If you cannot open the lid immediately after closing the chest, please wait for two to three minutes until the resulting vacuum has been compensated for.

---

## Warning messages

### Temperature alarm

If the temperature in the freezer compartment becomes too warm (approx. -9 °C) and the frozen food is at risk, the "alarm" indicator lights up, figure **2/3**.

---

## Utilisable volume

You will find information regarding the utilisable volume on the rating plate. Figure **11**

### Using the entire freezing capacity

To store the maximum quantity of frozen food, you can remove the basket from the appliance.

---

## Freezer compartment

Use the freezer compartment for the following:

- Storing deep frozen food.
- To make ice cubes.
- To freeze food.

### Note!

Ensure that the appliance is always closed. If the lid is open, the frozen food will thaw. The freezer compartment ices up heavily. In addition: Energy is lost due to the power consumption.

## Max. freezing capacity

You will find information on the maximum freezing capacity in 24 hours on the rating plate. Figure **ii**

## Freezing and storing

### Purchasing frozen foods

- Packaging must not be damaged.
- Observe the best before date.
- The temperature in the commercial chest freezer must be  $-18\text{ }^{\circ}\text{C}$  or colder.
- As far as possible, frozen food must be transported in an insulated container and quickly placed in the freezer compartment.

### When arranging the food, note the following:

It is preferable to freeze larger quantities of food on the appliance floor because they will become frozen more quickly and gently there. Lay the food over a wide area on the floor of the appliance. Food that is already frozen must not come into contact with the food that is to be freshly frozen.

## Freezing fresh food

Only use fresh, undamaged food for freezing.

In order to retain the nutritional value, aroma and colour of the food as much as possible, blanch vegetables before they are frozen. Blanching is not required for aubergines, peppers, courgettes and asparagus.

You can find literature about freezing and blanching in bookshops.

### Note!

Do not allow food that is to be frozen to sit right next to food that has already been frozen.

- The following are suitable for freezing: Baked goods, fish and seafood, meat, game, poultry, vegetables, fruit, herbs, eggs without their shells, dairy products such as cheese, butter and curd cheese, prepared dishes and leftovers such as soups, stews, cooked meat and fish, potato dishes, baked casseroles and sweet foods.
- The following are not suitable for freezing: Types of vegetables that are usually eaten raw - such as green salad or radishes, eggs in their shells, grapes, whole apples, pears and peaches, hard-boiled eggs, yoghurt, soured milk, sour cream, crème fraîche and mayonnaise.

en

## Packaging frozen food

Pack food so that it is airtight to prevent it from losing its flavour or drying out.

1. Store food in its packaging.
2. Press out any air.
3. Close the packaging tightly.
4. Label packaging with its contents and date of freezing.

### **The following are suitable as packaging:**

Plastic film, polyethylene hose film, aluminium foil, freezer bags. You will find these products at your specialist dealer.

### **The following are not suitable as packaging:**

Wrapping paper, greaseproof paper, cellophane, rubbish bags and used shopping bags.

### **The following are suitable for sealing packaging:**

Rubber bands, plastic clips, pack-twines, cold-resistant scotch tape, or similar. Polyethylene bags and hose film can be fused closed using a bag sealer.

## Storage life of frozen foods

The storage life depends on the type of food.

At a temperature of -18 °C:

- Fish, sausages, prepared dishes, baked goods:  
Up to 6 months
- Cheese, poultry, meat:  
Up to 8 months
- Vegetables, fruit:  
Up to 12 months

---

## SuperFreezing

Food should be frozen thoroughly as quickly as possible. This ensures that vitamins, nutritional value, appearance and taste are retained.

To ensure that there is no undesired rise in temperature while you are placing fresh food in the freezer, switch on the SuperFreezing function a few hours beforehand.

In general, 4-6 hours is sufficient.

If you want to use the max. freezing capacity, you require 24 hours.

Smaller quantities of food (approx. 10 % of the freezing capacity) can be frozen without using SuperFreezing.

To switch SuperFreezing on and off, press and hold the "super" button, figure 2/5.

The "super" indicator lights up to show that the freezer has been started up, figure 2/5. The refrigerating unit now works continuously. A low temperature is reached in the freezer compartment.

---

## Defrosting frozen food

You can decide between the following options, depending on the type of food and its intended use:

- At room temperature,
- in the refrigerator,
- in the electric oven, with/without hot-air ventilator,
- in the microwave oven.

### Note!

Do not refreeze defrosted food. It can only be refrozen after it has been processed (cooked or roasted).

Do not continue to use the complete max. storage time for the frozen food.

---

## Features of the appliance

### Pre-freezing compartment

Figure **11**/11 (not on all models)

In the pre-freezing compartment, fresh food freezes particularly quickly and gently. Lay the food over a wide area on the floor and on the side panels of the pre-freezing compartment.

### Removable basket

Figure **9**

For storing deep frozen food.

If you want to place baskets on the floor of the appliance, remove or fold in the handles first.

If required, you can purchase further baskets from specialist retailers if you specify the appliance designation, figure **12**.

## Removable separating wall

Figure **6** (not on all models)

The separating wall prevents fresh food that is to be frozen in the pre-freezing compartment from coming into contact with food that is already frozen in the storage compartment.

If you pull out the separating wall and lay it on the floor of the chest, small items of frozen food (such as strawberries) can be quickly and - above all - individually frozen. When defrosting food, you can place the separating wall under the drainage channel to collect the defrosted water.

---

## Switching the appliance off and putting it out of operation

### Switch off the appliance

- Unplug the appliance from the mains or switch off the childproof lock.

### Putting the appliance out of service

If you do not use the appliance for long periods:

1. Remove all food from the appliance.
2. Switch off the appliance.
3. Defrost the appliance (see section "Defrosting").
4. Clean the inside of the appliance (see section "Cleaning the appliance").
5. To prevent odours from forming, leave the appliance lid open.

## Defrosting

A layer of frost on the container panels impairs the cooling effect on the frozen food and increases the power consumption. You must regularly remove this layer of frost.

### General tips

- When putting food in or taking food out, open the lid of the chest for as little time as possible.
- Do not install the chest freezer in a damp room. A high level of humidity aids the formation of frost.
- Package fresh food so that it is as air-tight as possible.

### Attention

Do not scrape away the layer of ice using a knife or a sharp object. You could damage the refrigerant pipes. If refrigerant shoots out, it may ignite or cause eye injuries.

### Defrosting the appliance

- Switch on the SuperFreezing function approx. 4 hours before the defrosting to ensure that the food is thoroughly frozen.
- Then clear out the frozen food and store it in several layers of newspaper or wrap it in a cover and store it in a cool place.
- Leave the lid open and unplug the mains plug.

- Pull out the exterior drain plug (figure 7/1), remove the flat drawer or, if present, the separating wall of the appliance (figure 7/2), lay it under the drain hole for condensation water to catch the condensation water (figure 7/3). and pull out the interior drain plug (figure 7/4).
- After defrosting, clean the appliance and wipe the inside dry.
- Use the two drainage plugs to seal the condensation drainage, insert the separating wall, connect the appliance and re-arrange the frozen food.

### Defrosting aids

To speed up the defrosting process, you can use a plastic scraper to remove the layer of ice

### Warning

Never use electrical appliances, defrosting sprays or open flames to defrost the freezer, e.g. heaters, steam-cleaning appliances, candles, oil lamps, etc.

Do not place any saucepans containing hot water in the appliance in order to speed up the defrosting.

## Cleaning the appliance

You should clean the freezer compartment properly after each time it is defrosted.

### Attention

- Never clean the appliance with a steam cleaning appliance.
- Do not use gritty, acidic or chlorine-based cleaning agents or solvents.
- Do not use any abrasive materials or materials that may scratch surfaces. This may lead to corrosion of the metallic surfaces.
- Never clean the equipment's accessories in the dishwasher. The parts may warp.
- The water used for rinsing must not get into the control panel or lighting.

### Proceed as follows:

1. Before cleaning the appliance, unplug the mains plug or disconnect the fuse.
2. Take out the frozen food and store it in a cool place. Place an ice block (if you have one) on the food.
3. Clean the appliance with a soft cloth, lukewarm water, and a little pH-neutral detergent.
4. Only wipe the door seal with clean water and then rub it until it is dry.
5. After cleaning, reconnect the appliance to the mains and switch it on.
6. Put the frozen food back in.

## Saving energy

- Install the appliance in a cool, dry, well-ventilated room. The appliance must be installed out of direct sunlight and away from heat sources (e.g. heating elements, cooker). Use an insulating plate if necessary.
- Allow hot food to cool before placing it in the appliance.
- Place frozen food that is to be defrosted in your cooling compartment. Use the low temperature of the frozen food to cool down food.
- Open the appliance door for as little time as possible.
- A layer of frost in the freezer compartment impairs the cooling effect on the frozen food and increases the power consumption. If there is a layer of frost, you must defrost the appliance.
- Occasionally clean the rear of the appliance to prevent an increased power consumption.
- If only medium quantities of food (approx. 40 %-60 % of the maximum freezing capacity) are frozen, you can put food into the freezer after 6 hours of SuperFreezing and switch SuperFreezing off.
- If the appliance is only partially filled with food (not higher than the "e" marking on the separating wall if the appliance comes with a separating wall), use the "eco" energy-saving setting.

---

## Operating noises

### Completely normal noises

Humming - The refrigeration unit is running.

Bubbling, whirring or gurgling noises - The refrigerant is flowing through the pipes.

Clicking - The motor is switching on or off.

Clicking when opening the lid - The light switch is switching on.

### Preventing noises

#### If the appliance is positioned unevenly

Use a spirit level to align the appliance so that it is level. Level out any unevenness in the ground using support spacers.

#### If the appliance is touching adjacent units or appliances

Move the appliance away from adjacent furniture or appliances.

#### Baskets or separating plates are wobbling or sticking

Check the removable parts and reinsert them if necessary.

#### Containers are touching

Move the containers apart slightly.

---

## Rectifying minor faults yourself

### Before you call the after-sales service:

Check whether you can rectify the fault yourself by using the notes below.

You must bear the costs for consultation with the after-sales services yourself - even during the warranty period.

| Problem   | Possible cause | Remedy   |
|---|----------------|--|
| The temperature deviates considerably from the setting. |                | <p>In some cases, it is sufficient to switch off the appliance for 5 minutes.</p> <p>If the temperature is too high, wait a few hours and check whether the temperature has aligned with the setting.</p> <p>If the temperature is too low, wait until the next day and check the temperature again.</p> |



| Problem  | Possible cause   | Remedy   |
|--|--|--|
| The interior lighting is not working.  | The bulb is faulty.  | Replace the bulb: <ol style="list-style-type: none"> <li>1. Unplug the appliance from the mains or switch off the circuit breaker.</li> <li>2. Remove the lamp cover, figure <b>8</b>.</li> <li>3. Change the bulb (replacement bulb: 220-240 V alternating current, E14 socket, see faulty light for the wattage).</li> </ol> |
| The refrigerating unit switches on with increasing frequency and for longer periods.     | The chest lid is being opened frequently.  | Do not open the lid unnecessarily.   |
|  | The ventilation openings are covered. Figure <b>10</b>   | Remove any obstructions.   |
| The "alarm" indicator (figure <b>2/3</b> ) lights up. (it is too warm in the appliance). | The chest lid is being opened frequently.  | Do not open the lid unnecessarily.   |
|  | Lots of food has been placed in the freezer.   | Switch on SuperFreezing before placing food in the freezer.  |
|  | The ventilation openings are covered. Figure <b>10</b>   | Remove any obstructions.   |
|  | The appliance is beside a heat source.   | Maintain the minimum distance or use an insulating plate.  |
| The green control light (figure <b>2/4</b> ) is not lit.                                 | The appliance is switched off.   | Connect the mains plug.  |
|  | Power failure; the fuse protection has been switched off; the mains plug is not firmly inserted. | Check whether there is power, check the fuses.   |

| Problem  | Possible cause  | Remedy   |
|--|---|--|
| Increased formation of frost on the upper edge of the appliance. | The condensation water plugs are not in the correct position. | Insert the condensation water plugs correctly on the floor of the appliance and on the front of the appliance. |
|  | The transport locks were not removed                          | Remove all four transport locks, figure <b>3</b> (see section "Installing the appliance").                     |
|  | The chest lid is being opened frequently.                     | Do not open the lid unnecessarily.   |

## After-sales service

You can find an after-sales service point near to you in the telephone directory or in the list of after-sales service points.

When you call the after-sales service, quote your product number (E no.) and the production number (FD no.) of your appliance.

You will find this information on the rating plate. Figure **11**

Please help us to avoid unnecessary journeys by quoting the appliance and production number. This will save you the additional associated costs.

# Güvenlik Bilgileri ve Uyarılar

## Cihazı çalıştırmadan önce

Kullanım ve montaj kılavuzunu dikkatlice okuyunuz! Cihazın kurulumu, kullanımı ve bakımı ile ilgili önemli bilgiler içeriyorlar.

Üretici, kullanım kılavuzundaki bilgileri ve uyarıları dikkate almamanız durumunda sorumlu değildir.

Belgeleri, daha sonraki kullanım veya cihazın bir sonraki sahibi için saklayınız.

## Teknik Güvenlik

Cihaz, az miktarda doğa dostu ama yanıcı soğutucu madde R600a içerir. Taşıma veya montaj sırasında, soğutucu madde dolaşımına ait boruların zarar görmemesine dikkat ediniz. Soğutucu madde sızıntısı göz yaralanmalarına neden olabilir veya tutuşabilir.

Hasar durumunda

- ateş veya ateş kaynaklarını cihazdan uzak tutunuz,
- cihazı kapatınız ve fişini çekiniz,
- odayı birkaç dakika boyunca havalandırınız,
- müşteri hizmetlerine haber veriniz.

Bir cihazda ne kadar çok soğutucu madde varsa, cihazın bulunduğu oda o kadar çok büyük olmalıdır. Çok küçük odalarda, kaçak olması durumunda, bir yanıcı gaz-hava karışımı oluşabilir.

Oda büyüklüğü, 8 g soğutucu madde başına, 1 m<sup>3</sup> olmalıdır. Cihazınıza ait soğutucu madde miktarı, cihazınızın iç kısmında bulunan tip plakasında yazmaktadır.

Eğer bu cihaza ait güç kablosu zarar görürse, üretici, müşteri hizmetleri veya benzeri bir uzman kişi tarafından değiştirilmelidir. Yanlış montaj veya onarımlar, kullanıcıyı büyük ölçüde tehlikeye sokar.

Onarımlar sadece üretici, müşteri hizmetleri veya benzeri bir uzman kişi tarafından yapılmalıdır.

Sadece üreticiye ait orijinal parçalar kullanılmalıdır. Üretici, sadece bu parçalarda, güvenlik gereksinimlerinin sağlandığını garanti eder.

Güç kablosunun uzatılması sadece müşteri hizmetleri üzerinden gerçekleştirilebilir.

## Kullanım Sırasında

- Cihazın içerisinde kesinlikle elektrikli cihazlar kullanmayınız (örneğin ısıtma cihazları, elektrikli buz makinesi vs.). Patlama tehlikesi!
- Cihazı, asla bir buharlı temizleme cihazı ile çözmezsiniz veya temizlemeyiniz! Buhar, elektrikli parçalara ulaşabilir ve bir kısa devreye neden olabilir. Elektrik çarpması tehlikesi!
- Don ve buz katmanlarını temizlemek için sivri uçlu ve keskin kenarlı nesnelere kullanmayınız. Bu şekilde, soğutucu madde borularına zarar verebilirsiniz. Soğutucu madde sızıntısı göz yaralanmalarına neden olabilir veya tutuşabilir.
- Cihaz içerisinde, yanıcı itici gaz içeren ürünler (örneğin sprey kutuları) ve patlayıcı maddeler saklamayınız. Patlama tehlikesi!
- Tabanı, sürgüleri, kapıları vs. basamak olarak veya dayanmak için kullanmayınız.
- Buz çözme ve temizlik için fişi çekiniz veya sigortayı kapatınız. Kabloyu değil, fişi çekiniz.
- Alkol oranı yüksek olanları ağız sıkıca kapalı ve dik bir şekilde saklayınız.
- Plastik parçaları ve kapı contasını yağ veya gres ile kirletmeyiniz. Yoksa plastik parçalar ve kapı contası geçirgen olur.
- Cihazdaki havalandırma deliklerinin üzerini kapatmayınız veya onları kapalı konuma getirmeyiniz.
- Bu cihaz, fiziksel, duyuşsal veya zihinsel yetenekleri kısıtlı veya bilgisi eksik kişiler (bunlara çocuklar dahildir) tarafından, ancak başlarında onların güvenliğinden sorumlu veya onlara, cihazın nasıl kullanılacağı konusunda talimat verebilecek bir kişi bulunursa kullanılabilir.

- Dondurucu bölmede şişe veya kutu içerisinde sıvı saklamayınız (özellikle gazlı içecekler). Şişe ve kutular patlayabilir!
- Dondurulmuş gıdaları asla, dondurucu bölmeden alındıktan hemen sonra ağzınıza almayınız. Dondurucu yanık tehlikesi!
- Ellerinizin, dondurulmuş gıda, buz veya buharlaşma boruları vs. ile uzun süreli temasından kaçınınız. Dondurucu yanık tehlikesi!

## Evde Çocuklar

- Ambalaj ve onlara ait parçaları çocuklara vermeyiniz. Katlanır karton ve folyo yüzünden boğulma tehlikesi!
- Cihaz, çocuklar için bir oyuncak değildir!
- Kapı kilidi olan cihazlarda: Anahtarı, çocukların ulaşamayacağı bir yerde saklayınız!

## Genel Hükümler

Cihaz;

- yiyeceklerin dondurulması için,
- buz yapımı için uygundur.

Bu cihaz, ev ve ev ortamı içinde ev kullanımı için tasarlanmıştır.

Cihazın, AB Direktifi 2004/108/EC'ye göre parazit yalıtımı yapılmıştır.

Soğutma devresinin sızdırmazlık kontrolü yapılmıştır.

Bu ürün, elektrikli ev aletleri (EN 60335-2-24) için ilgili güvenlik düzenlemelerine uygundur.

## Atıkların yok edilmesiyle ilgili uyarılar

### Ambalajın imha edilmesi

Ambalaj, taşıma sırasında cihazınızı hasarlara karşı korur. Kullanılan tüm malzemeler çevre dostudur ve geri dönüştürülebilir. Lütfen siz de yardım ediniz: Ambalajı, çevreye zarar vermeden yok ediniz.

Güncel bertaraf yöntemleri için, satıcınızla veya yerel yönetim ile temasa geçiniz.

### Eski cihazların imha edilmesi

Eski cihazlar değersiz çöp değildir! Çevreye uygun yok etme işlemi sayesinde değerli hammaddeler yeniden kazanılabilir.



Bu cihaz Avrupa Atık Elektrik ve Elektronik Eşyaların (AEEE) Kontrolü Yönetmeliği 2002/96/EC (waste electrical and electronic equipment - WEEE) ile uyumludur. Bu yönetmelik, eski cihazların, AB çapında geçerli olan geri alımı ve geri dönüşümü için bir çerçeve oluşturur.

### Uyarı

Kullanım süresini doldurmuş cihazlarda

1. Fişi çekiniz.
2. Bağlantı kablosunu kesiniz ve fişi ile birlikte çıkarınız.
3. Çocukların içeri tırmanmalarını engellemek için rafları ve kapları çıkarmayınız!
4. Çocukların, kullanım süresini doldurmuş cihazla oynamasına izin vermeyiniz. Boğulma tehlikesi!

Soğutucu cihazlar soğutucu madde ve yalıtımlarında gaz içerirler. Soğutucu maddeler ve gazlar uygun şekilde bertaraf edilmelidir. Uygun bertaraf işlemine kadar soğutucu madde devresine ait borulara zarar vermeyiniz.

## Paket içeriği

Parçaları paketin içerisinden çıkardıktan sonra, taşıma sırasında hasar görüp görmediklerini kontrol ediniz.

Şikayet durumunda, cihazı satın aldığınız satıcınıza veya müşteri hizmetlerimize başvurunuz.

Paket içeriği aşağıdaki parçalardan oluşmaktadır:

- Dikey cihaz
- Donanım (modele bağlı olarak)
- Kullanım talimatı
- Müşteri Hizmetleri Kitapçığı
- Garanti Belgesi
- Enerji tüketimi ve sesler ile ilgili bilgiler
- Montaj malzemelerini içeren torba.

## Cihazın kurulması

### Taşıma

Taşıma için cihaza kolay hareket eden tekerlekler takılmıştır. Resim 4

### ⚠ Uyarı

İhtiyaç halinde cihazı kaymaya karşı emniyete alınız.

### Taşıma emniyetinin çıkartılması

Resim 3 (tüm modellerde değil)

Kapak ile cihaz arasına takılmış olan dört adet taşıma emniyetini çıkarınız.

Bu taşıma emniyetlerinden iki tanesini cihazın arka tarafında öngörülen yerlere takınız. Bu şekilde, duvara olan asgari mesafe korunacak, kapak doğru şekilde açılacak ve havalandırma sağlanacaktır. Böylece cihazın belirlenen enerji tüketimine ulaşılır.

### Kurulum Yeri

Kurulum için, kuru ve havalandırılabilir bir ortam uygundur. Kurulum yeri, doğrudan güneş ışınlarına maruz kalmamalıdır ve fırın, ısıtıcı vs. gibi ısı kaynaklarının yakınında olmamalıdır. Bir ısı kaynağının yanına kurulum kaçınılmaz ise, uygun bir yalıtım plakası kullanınız veya ısı kaynaklarına olan aşağıdaki asgari mesafelere uyunuz:

- Elektrikli veya gazlı fırınlara 3 cm.
- Mazot veya kömürlü fırınlara 30 cm.

Cihaz duvara monte edilirse arka ve yan duvarlarla arada minimum 70 mm'lik bir mesafe bırakılması gerekir.

### Zemin

Kurulum yerinin zemini yumuşak olmamalıdır, gerekirse zemini sertleştiriniz.

Cihaz bir su terazisi ile dengeye getiriniz.

Zemindeki muhtemel bozuklukları desteklerle dengeleyiniz.

## Oda sıcaklığına ve Havalandırmaya dikkat edilmelidir

### Oda sıcaklığı

Cihaz, belirli bir iklim sınıfına göre tasarlanmıştır. Cihaz, iklim sınıfına bağlı olarak, aşağıdaki oda sıcaklıklarında çalıştırılabilir.

İklim sınıfı, tip plakası üzerinde bulunur, resim 1/10.

| İklim sınıfı | İzin verilen oda sıcaklığı |
|--------------|----------------------------|
| SN           | +10 °C 32 °C arası         |
| N            | +16 °C 32 °C arası         |
| ST           | +16 °C 38 °C arası         |
| T            | +16 °C 43 °C arası         |

### Not!

Cihaz, belirtilen iklim sınıfına ait oda sıcaklığı sınırları içerisinde tam işlevseldir.

Eğer SN iklim sınıfına ait bir cihaz daha soğuk oda sıcaklıklarında çalıştırılırsa, +5 °C sıcaklığa kadar cihazda herhangi bir hasar söz konusu olmaz.

## Havalandırma

Resim 10

Cihazın arka duvarındaki ve yan duvarlarındaki hava ısınır. Isınan hava, hiçbir engele takılmadan uçup gidebilmelidir. Yoksa soğutucu makine çok daha fazla çalışmak zorunda kalır. Bu da elektrik tüketimini artırır. Bu yüzden: Havalandırma aralığı üzerini kesinlikle kapatmayınız veya onları kapalı konuma getirmeyiniz!

## Cihazın bağlanması

Yerine yerleştirdikten sonra cihazı çalıştırmadan önce en az 1 saat boyunca bekleyiniz. Taşıma sırasında, kompresörde bulunan yağın soğutucu maddede saklanmış olma ihtimali mevcuttur.

İlk işletmeye alımdan önce cihazın içini temizleyiniz (bkz. bölüm "Cihazın temizlenmesi").

## Elektrik Bağlantısı

Priz cihaza yakın olmalıdır. Hatta cihaz yerine yerleştirildikten sonra da prize ulaşım kolay olmalıdır.

Cihaz, Koruma Sınıfı I kapsamına girer. Cihazı, topraklama kablosuna sahip, kurallara uygun bir şekilde monte edilmiş, 220-240 V/50 Hz alternatif akımlı prize takınız. Priz, 10 A - 16 A arası bir sigorta ile emniyete alınmış olmalıdır.

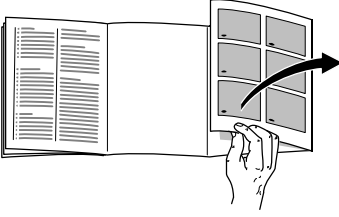
Avrupa dışı ülkelerde işletilecek olan cihazlarda, belirtilen gerilim ve akım türünün, ilgili şebeke değerleriyle uyumlu olup olmadığı kontrol edilmelidir. Bu bilgileri tip plakasında bulabilirsiniz, resim 11.

### Uyarı

Cihaz kesinlikle elektronik enerji tasarrufu prizlerine takılmamalıdır.

Cihazlarımızın kullanımında sinüs ve hat komütasyonlu invertörler kullanılabilir. Hat komütasyonlu invertörler, doğrudan elektrik şebekesine bağlanan fotovoltaik sistemlerde kullanılmaktadır. Elektrik şebekesine doğrudan bağlantısı olmayan izole uygulamalarda (örneğin gemiler veya dağ evleri), sinüs komütasyonlu invertörler kullanılmalıdır.

## Cihazı tanımak



Lütfen resimlerin olduğu son sayfayı açınız. Bu kullanım kılavuzu birden fazla model için geçerlidir.

Resimlerde tutarsızlıklar olabilir.

Resim **1**

\* tüm modellerde değil

### 1-5 Kumanda paneli

#### 6 İç aydınlatma \*

#### 7 Sepet \*

#### 8 Saklama rafı

#### 9 Tahliye tapasına sahip yoğuşma suyu tahliye deliği

#### 10 Tip plakası

#### 11 Ön soğutma rafı \*

#### 12 Çıkarılabilir ayırma duvarı \*

## Kumanda paneli

Resim **2**

### 1 “Eko” ayarı

Eğer cihaz tam dolu değilse (ayırma duvarı olan cihazlarda maksimum ayırma duvarının üzerindeki "e" işaretine kadar) enerji tasarrufu sağlamak için bu ayar seçilebilir.

### 2 Sıcaklık seçme düğmesi

Dondurucu sıcaklığını ayarlamak için sıcaklık seçme düğmesini demir para ile çeviriniz.

Konum 1: En yüksek sıcaklık

Konum 6: En düşük sıcaklık

### 3 “alarm” göstergesi

Dondurucu bölmesi çok sıcaksa kırmızı gösterge yanar.

### 4 “power” göstergesi

Cihaz açıksa yeşil gösterge yanar.

### 5 “super” tuşu

Süper dondurucu fonksiyonunu açar ve kapatır.

Süper dondurucu açıksa sarı gösterge yanar.



## Cihazın işletime alınması

### Cihazı çalıştırmak

- Cihaz bağlanıp açıldığında yeşil gösterge resim 2/4 yanar.
- Kırmızı göstergenin resim 2/3 yanması cihazın içerisindeki sıcaklığın çok yüksek olduğunu gösterir, dondurulmuş gıdaları ancak kırmızı gösterge söndükten sonra yerleştiriniz.

### Sıcaklığın ayarlanması

Sıcaklık seçme düğmesi fabrika çıkışında 4 olarak ayarlanmıştır.

Değiştirmek için sıcaklık seçme düğmesini resim 2/2 çeviriniz.

Konum 1: En yüksek sıcaklık

Konum 6: En düşük sıcaklık

Dikkat: Sıcaklık değişiklikleri etkisini yavaş gösterir.

### Çalışma ile ilgili uyarılar

- Herhangi bir sıcaklık girişi yapılmazsa cihaz açıldığında dondurucu bölmesinin sıcaklığı otomatik olarak -18 °C'ye ayarlanır.
- Kapak kapatıldıktan hemen sonra tekrar açılmamalıdır, lütfen ortaya çıkan vakum dengeleninceye kadar kapağı iki ile üç dakika boyunca açmayınız.

## Uyarı mesajları

### Sıcaklık alarmı

Dondurucu bölümündeki sıcaklık çok yüksekse (yaklaşık -9 °C) ve dondurulmuş gıdalar tehlike altındaysa "alarm" göstergesi resim 2/3 yanar.

## Kullanım kapasitesi

Kullanım kapasitesine ilişkin bilgileri tip plakası üzerinde bulabilirsiniz. Resim 11

### Dondurucu hacminin tam kullanımı

Maksimum miktarda dondurulmuş gıdayı sığdırmak için sepeti cihazdan dışarı çıkartabilirsiniz.

## Dondurucu

Dondurucunun kullanılması

- Dondurulmuş gıdanın saklanması için.
- Buz küpleri yapmak için.
- Yiyeceklerin dondurulması için.

### Not!

Cihazın daima kapalı durumda olmasına dikkat ediniz. Kapak açık olduğunda dondurulmuş gıdaların buzu çözülür. Dondurucu rafı yoğun şekilde buzlanır. Arica: Yüksek elektrik tüketimi nedeniyle enerji kaybı olur.

## Azami dondurma kapasitesi

24 saatteki azami dondurma kapasitesiyle ilgili bilgileri tip plakası üzerine bulabilirsiniz. Resim **11**

## Dondurma ve saklama

### Dondurulmuş gıda satın almak

- Ambalajı zarar görmemiş olmalıdır.
- Son kullanma tarihine dikkat ediniz.
- Yiyeceği satın aldığınız dondurucudaki sıcaklık -18 °C veya daha soğuk olmalıdır.
- Dondurulmuş gıda mümkün olduğunca bir yalıtımlı çanta ile taşınmalıdır ve en kısa sürede dondurucuya yerleştirilmelidir.

### Yerleştirme sırasında dikkat edilecekler

Büyük miktardaki yiyecekleri tercihen cihazın tabanına koyarak dondurunuz, burada özellikle hızlı donarlar ve böylece daha iyi korunurlar. Geniş yüzeyli yiyecekleri cihazın tabanına yerleştiriniz. Önceden dondurulmuş olan yiyecekleri yeni dondurulacak yiyeceklere temas ettirmeyiniz.

## Taze yiyeceklerin dondurulması

Dondurmak için sadece taze ve uygun yiyecekler kullanınız.

Besin değeri, aroma ve rengi en iyi şekilde koruyabilmek için, dondurmadan önce sebzeler kaynar su ile şoklanmalıdır. Patlıcan, biber, kabak ve kuşkonmazda bu işleme gerek yoktur.

Dondurma ve şoklama ile ilgili kitapları kitapçılarda bulabilirsiniz.

### Not!

Dondurulacak olan yiyecekleri, zaten donmuş olan yiyeceklerle temas ettirmeyiniz.

- Dondurulmaya uygun gıdalar şunlardır: Unlu mamüller, balık ve deniz ürünleri, et, av eti, kümes hayvanları, sebze, meyve, otlar, kabuksuz yumurta, peynir, tereyağı ve çökelek gibi süt ürünleri, hazır yiyecekler ve çorbalar, güveçler, pişmiş et ve balık gibi yemek artıkları, patates yemekleri, sufler ve tatlılar.
- Dondurulmaya uygun olmayan gıdalar: Normalde çiğ olarak tüketilen marul ve turp gibi sebze çeşitleri, kabuklu yumurta, üzüm, bütün elma, armut ve şeftali, katı pişirilmiş yumurta, yoğurt, kesilmiş süt, ekşi krema, Crème fraîche ve mayonez.

## Dondurulmuş gıda paketlenmesi

Tadlarını kaybetmesin ve kurumasin diye, yiyecekleri hava almayacak şekilde paketleniniz.

1. Yiyecekleri ambalajına yerleştiriniz.
2. Bastırarak havasını alınız.
3. Ambalajı sıkıca kapatınız.
4. Ambalajın üzerine içeriğini ve dondurucuya yerleştirme tarihini yazınız.

### Ambalaj olarak uygun olanlar:

Plastik folyo, polietilen tüp film, alüminyum folyo, dondurucu kutuları. Bu ürünleri yetkili satıcılarda bulabilirsiniz.

### Ambalaj için uygun olmayanlar:

Ambalaj kağıdı, parşömen kağıdı, selofan, çöp torbaları ve kullanılmış alışveriş torbaları.

### Sızdırmazlığı sağlamak için uygun olanlar:

Lastik bantlar, plastik klipler, ip, soğuğa karşı dayanıklı yapışkan bantlar veya benzeri.

Polietilen torba ve tüp filmler bir folyo kaynak cihazı ile kaynatılabilir.

## Dondurulmuş gıdanın saklama ömrü

Saklama ömrü yiyeceğin türüne bağlıdır.

-18 °C'lik bir sıcaklıkta:

- Balık, sucuk, hazır yemekler, unlu mamüller:  
6 aya kadar.
- Peynir, kümes hayvanları, et:  
8 aya kadar.
- Sebze, meyve:  
12 aya kadar.

## Süper dondurma

Yiyecekler mümkün olduğunca hızlı bir şekilde çekirdeğine kadar dondurulmalıdır. Böylece vitaminler, besin değerleri, görünüş ve tat korunur.

Taze yiyeceklerin yerleştirilmesi sırasında istenmeyen bir sıcaklık artışının ortaya çıkmaması için yiyecekleri yerleştirmeden bir saat önce süper dondurma modunu açınız.

Genel olarak 4-6 saat yeterlidir.

Azami dondurma kapasitesi kullanılmıyorsa 24 saat gereklidir.

Küçük miktarlardaki yiyecekler (dondurma kapasitesinin yaklaşık %10'u) süper dondurma kullanılmadan dondurulabilir.

Süper dondurma modunun açılması ve kapatılması için "super" tuşuna resim **2/5** basınız.

"super" göstergesinin yanmasıyla işleme alma gösterilir resim **2/5**. Soğutucu artık sürekli olarak çalışır. Dondurucu bölmesinde düşük bir sıcaklığa erişilir.

## Dondurulmuş gıdanın çözülmesi

Türüne ve kullanım amacına göre aşağıdaki seçenekler den biri seçilebilir:

- oda sıcaklığında,
- buzdolabında,
- sıcak hava fanlı/fansız elektrikli fırında,
- mikrodalga cihazında.

### Not!

Dondurulmuş ve çözülmüş gıdaları tekrar dondurmuyunuz. Ancak gıdalar yeniden işlendikten sonra (pişirme veya kızartma) tekrar dondurulabilir.

Dondurulmuş gıdanın azami saklama süresini artık sonuna kadar kullanmayınız.

## Cihaz donanımı

### Ön soğutma rafı

Resim 11/11 (tüm modellerde değil)

Ön soğutma rafında taze yiyecekler özellikle hızlı donarlar ve böylece daha iyi korunurlar. Geniş yüzeyli yiyecekleri cihazın tabanına ve ön soğutma rafının yan duvarına yerleştiriniz.

### Sepet

Resim 9

Küçük dondurulmuş gıdaların saklanması için.

Eğer sepet cihazın tabanına yerleştirilmeliyse önce tutamaklar çıkarılmalı veya içeriye doğru katlanmalıdır.

İhtiyaç halinde yetkili satıcıdan cihaza uygun başka sepetler de temin edilebilir resim 12.

## Çıkartılabilir ayırma duvarı

Resim 6 (tüm modellerde değil)

Ayırma duvarı, ön soğutma rafındaki yeni dondurulacak yiyeceklerle saklama rafındaki önceden dondurulmuş yiyeceklerin temas etmesini engeller.

Eğer bu çıkartılır ve kapağın tabanına yerleştirilirse örneğin çilek gibi küçük dondurulmuş gıdalar hızlı ve tek tek dondurulabilir. Buz çözme sırasında yoğuşma suyunun toplanması için boşaltma kanalının altına yerleştirilebilir.

## Cihazın kapatılması ve beklemeye alınması

### Cihazın kapatılması

- Fişi çekiniz veya sigortayı kapatınız.

### Cihazın beklemeye alınması

Eğer cihaz uzun bir süre kullanılmayacaksa:

1. Tüm yiyecekleri cihazın içerisinden çıkarınız.
2. Cihazı kapatınız.
3. Cihazın buzunu çözünüz (bkz. Bölüm "Buz çözme").
4. Cihazın içini temizleyiniz (bkz. Bölüm "Cihazın temizlenmesi").
5. Koku oluşumunu engellemek için kapağı açık bırakınız.

## Buz çözme

Hazne duvarlarındaki buz tabakası dondurulmuş gıdaların soğutulmasını olumsuz yönde etkiler ve enerji tüketimini artırır. Düzenli olarak buz tabakasını temizleyiniz.

### Genel ipuçları

- Doldurma ve boşaltma sırasında kapağı mümkün olduğunca kısa süre açık tutunuz.
- Üstten kapaklı dondurucuyu nemli ortamlara yerleştirmeyiniz. Havadaki nemin yüksek olması buz oluşumuna yardımcı olur.
- Taze yiyecekleri mümkün olduğunca hava almayacak şekilde paketleniniz.

### Dikkat

Buz tabakasını veya buzu bıçak veya sivri cisimlerle kazımayınız. Bu şekilde, soğutucu madde borularına zarar verebilirsiniz. Soğutucu madde sızıntısı göz yaralanmalarına neden olabilir veya tutuşabilir.

### Cihazın buzunun çözülmesi

- Yakl. İçindeki yiyeceklerin dondurulması için buzu çözmeden 4 saat önce süper dondurma modunu açınız.
- Dondurulmuş gıdaları boşalttıktan sonra birkaç kat gazete kağıdına veya örtüye sarınız ve serin bir yerde muhafaza ediniz.
- Kapağı açık bırakınız ve prizi çekiniz.

- Dışarıdaki boşaltma tapasını resim 7/1 çıkarınız, yassı çekmeceyi veya varsa cihazın ayırma duvarını resim 7/2 çıkarınız, yoğuşma suyunu toplamak için yoğuşma suyu boşaltma deliğinin altına yerleştiriniz resim 7/3 ve içerideki boşaltma tapasını resim 7/4 çıkarınız.
- Buz çözme işleminden sonra cihazı temizleyiniz ve içini silerek kurulaştırınız.
- Yoğuşma suyu boşaltma deliğini her iki boşaltma tapasıyla kapatınız, ayırma duvarını yerleştiriniz, cihazı şebekeye bağlayınız ve dondurulmuş gıdaları tekrar yerleştiriniz.

### Buz çözme yardımı

Buz çözme işlemi için kullanılan plastik bir spatula kullanılarak buz tabakası kazınabilir

### Uyarı

Buz çözmek için asla ısıtma cihazları, buharlı temizlik cihazları, mum, gaz lambaları vb. gibi elektrikli cihazlar, buz çözme spreyleri veya açık ateş kullanmayınız.

Buz çözme işlemi hızlandırmak için cihazın içerisinde içinde sıcak su bulunan tencere yerleştirmeyiniz.

## Cihazın temizlenmesi

Her buz çözme işleminden sonra dondurucu bölmenin temizlenmesi iyi olur.

### Dikkat

- Cihazı asla buharlı temizleme cihazı ile temizlemeyiniz!
- Kum, klorür ya da asit içeren temizlik maddeleri ve solventler kullanmayınız.
- Aşındırıcı veya çizen süngerler kullanmayınız. Metal yüzeylerde korozyon meydana gelebilir.
- Aksesuarları asla bulaşık makinesinde yıkamayınız. Parçalar deformasyona uğrayabilir!
- Deterjanlı su kumanda paneline veya aydınlatmaya girmemelidir.

### Aşağıdaki gibi hareket ediniz:

1. Temizlikten önce fişi çekiniz veya sigortayı kapatınız!
2. Dondurulmuş gıdaları çıkarınız ve serin bir yerde saklayınız. Yiyeceklerin üzerine buz aküleri (eğer paketten çıktıysa) yerleştiriniz.
3. Cihazı yumuşak bir bez, ılık su ve pH değeri nötr olan biraz bulaşık deterjanı ile temizleyiniz.
4. Kapı contasını duru su ile siliniz ve sonra iyice kurulaştırınız.
5. Temizlik sona erdikten sonra cihazı çalıştırınız.
6. Dondurulmuş gıdaları tekrar cihaza yerleştiriniz.

## Enerji tasarrufu

- Cihazı serin, kuru, iyi havalandırılabilen bir odaya yerleştiriniz! Cihaz, doğrudan güneşe maruz bırakılmamalıdır veya ısı kaynaklarının yakınına yerleştirilmemelidir (örneğin ısıtıcılar, fırın). Gerekliyse bir izolasyon plakası kullanınız.
- Sıcak yiyeceklerin önce soğumasını bekleyiniz ve sonra cihaza yerleştiriniz!
- Dondurulmuş gıdaların çözülmesi için, onları soğutma bölümüne koyunuz. Dondurulmuş gıdaları soğutunuz, yiyecekleri soğutmak için kullanılması.
- Cihazı, olabildiğince kısa süreler için açınız!
- Dondurucu bölümündeki buz tabakası dondurulmuş gıdaların soğutulmasını olumsuz yönde etkiler enerji tüketimini artırır. Buz tabakası oluşması durumunda cihazın buzunu çözülmalıdır!
- Daha fazla elektrik tüketiminin önlenmesi için, cihazın arka yüzü ara sıra temizlenmelidir.
- Sadece orta miktarda yiyecek (maksimum dondurma kapasitesinin yakl. %40-%60'ı) dondurulacaksa 6 saatlik süper dondurma sonrasında yiyecekler yerleştirilebilir ve süper dondurma modu kapatılabilir.
- Cihaz sadece kısmen (ayırma duvarı olan cihazlarda ayırma duvarının üzerindeki "e" işaretini geçmeyecek şekilde) yiyeceklerle doldurulmuşsa tasarruf ayarı "eco" kullanılmalıdır.

## Çalışma sesleri

### Tamamen normal sesler

Uğultu - Soğutma ünitesi çalışıyor.

Şırlıltı, hisirtti veya çağlama sesleri - borulardan soğutma gazı geçiyor.

Tıklama - Motor açılıyor veya kapanıyor.

Cihazın açılması sırasında tıklama - Işık şalteri açılıyor.

## Seslerin önlenmesi

### Cihaz düz durmuyor

Lütfen cihazı bir su terazisi yardımıyla düz hale getiriniz. Zemindeki muhtemel bozuklukları desteklerle dengeleyiniz.

### Cihaz "dayanıyor"

Lütfen cihazı dayandığı mobilyalardan veya cihazlardan iterek ayırınız.

### Sepetleri veya ayırma plakasını sallayınız veya sıkıştırınız

Lütfen çıkarılabilir parçaları kontrol ediniz ve onları yeniden yerleştiriniz.

### Kaplar temas ediyor

Lütfen kapları birbirinden hafifçe ayırınız.

## Küçük arızaları kendi kendinize giderme

### Müşteri hizmetlerini aramadan önce:

Arızayı, aşağıdaki bilgilere istinaden kendiniz giderip gidemeyeceğinizi kontrol ediniz.

Müşteri hizmetleri danışma bedelini kendiniz ödemek zorundasınız - cihaz garanti kapsamında olsa bile!

| Arıza  | Olası neden | Çözüm  |
|--|-------------|--|
| Sıcaklık, ayarlanan sıcaklığa göre çok fazla farklılık gösteriyor. |             | Bazı durumlarda cihazı 5 dakikalığına kapattığınızda yeterli oluyor.<br>Eğer sıcaklık çok yüksekse, birkaç saat sonra, bir sıcaklık yaklaşımı gerçekleşip gerçekleşmediğini kontrol ediniz.<br>Eğer sıcaklık çok düşükse, bir sonraki gün bir kez daha kontrol ediniz. |

| Arıza  | Olası neden  | Çözüm   |
|--|--|---|
| İç aydınlatma çalışmıyor.  | Ampul arızalı.   | Ampülü değiştiriniz:<br>1. Fişi çekiniz veya sigortayı kapatınız.<br>2. Lamba kapağını resim <b>8</b> çıkarınız.<br>3. Ampulün değiştirilmesi (Yedek lamba, 220-240 V alternatif akım, taban E14, Watt bkz. arızalı lamba). |
| Soğutucu sık sık ve uzun sürede açılır.                                | Üst kapağın sık sık açılması.<br>Havalandırma aralığı kapalı. Resim <b>10</b>  | Kapağı gereksiz yere açmayınız.<br>Engelleri kaldırınız.  |
| "alarm" göstergesi Resim <b>2</b> /3 yanıyor. (cihazın içi çok sıcak). | Üst kapağın sık sık açılması.<br>Çok fazla yiyecek yerleştirilmiş.<br>Havalandırma delikleri kapalı. Resim <b>10</b> | Kapağı gereksiz yere açmayınız.<br>Yerleştirmeden önce süper dondurucuyu açınız.<br>Engelleri kaldırınız.   |
|  | Cihaz, ısı kaynağının yanında duruyor.   | Minimum mesafeye uyunuz veya izolasyon plakası kullanınız.  |
| Yeşil kontrol ışığı Resim <b>2</b> /4 yanmıyor.                        | Cihaz kapalı.<br>Elektrik kesintisi; sigorta kapalı; fiş tam oturmamış.  | Fişi takınız.<br>Elektrik olup olmadığını, sigortaları kontrol ediniz.  |
| Cihazın üst kenarında yoğun buz oluşumu.                               | Yoğuşma suyu tapaları doğru oturmamış.<br>Taşıma emniyetleri çıkartılmamış.<br>Üst kapağın sık sık açılması.         | Cihazın tabanındaki ve ön tarafındaki yoğuşma suyu tapalarını doğru takınız.<br>Dört adet taşıma emniyetinin tümünü resim <b>3</b> çıkarınız (bkz. bölüm "Cihazın kurulması").<br>Kapağı gereksiz yere açmayınız.           |



---

## Müşteri hizmetleri

Size en yakın müşteri hizmetlerini telefon rehberinden veya müşteri hizmetleri dizininden bulabilirsiniz. Lütfen müşteri hizmetlerine cihazın ürün numarasını (E-No.) ve üretim numarasını (FD-No.) veriniz.

Bu bilgileri tip plakasında bulabilirsiniz.  
Resim **11**

Lütfen ürün ve üretim numaralarını belirterek, servisin gereksiz yere gelmesini önlemeye yardımcı olunuz. Böylece, buna bağlı ek masraflardan tasarruf etmiş olursunuz.

## Указания по технике безопасности

### Перед первым включением прибора

Внимательно изучите данную инструкцию. Она содержит важную информацию по установке, эксплуатации и техническому обслуживанию прибора.

Изготовитель не несёт ответственности, если вы не соблюдаете указания и предупреждения инструкции по эксплуатации.

Сохраните всю документацию на будущее для себя лично или для передачи новому владельцу.

### Безопасность

Прибор содержит небольшое количество безвредного для окружающей среды, но горючего хладагента R600a. Следите за тем, чтобы при транспортировке и установке прибора не повредить трубки контура охлаждения. Брызги хладагента могут попасть в глаза и вызвать их воспаление.

При повреждении

- не подносите к прибору открытое пламя и источники огня,
- выключите прибор и отключите его от сети,
- хорошо проветрите помещение,
- Свяжитесь с сервисной службой.

Чем больше хладагента в приборе, тем просторнее должно быть помещение, в котором прибор установлен. В слишком тесном помещении при утечке хладагента может образоваться горючая воздушно-газовая смесь.

На 8 г хладагента требуется не менее 1 м<sup>3</sup> пространства. Количество хладагента, содержащееся в приборе, указано на типовой табличке внутри прибора.

Если сетевой кабель прибора повреждён, он должен быть заменён производителем, специалистами сервисной службы или другими квалифицированными специалистами. Неквалифицированная установка и ремонт могут стать причиной возникновения смертельно опасных ситуаций.

Ремонт должен осуществляться только производителем, специалистами сервисной службы или другими квалифицированными специалистами.

Разрешается использовать только оригинальные запчасти. Только в этом случае производитель гарантирует соответствие прибора требованиям безопасности.

Удлинение сетевого кабеля разрешается производить только специалистам сервисной службы.

### При эксплуатации

- Запрещается использовать электрические приборы (нагреватели, электрические генераторы льда и т. д.) внутри холодильника! Опасность взрыва!
- Запрещается размораживать или чистить прибор с помощью пароочистителей! Пар может попасть на электрические детали и вызвать короткое замыкание. Опасность удара током!

- Не используйте острые предметы для удаления инея и льда, так как при этом можно повредить трубки с хладагентом. Брызги хладагента могут воспламениться или вызвать повреждение глаз.
- Запрещается хранить в холодильнике аэрозоли и другие наполненные горючими газами ёмкости, а также взрывоопасные вещества. Опасность взрыва!
- Запрещается вставлять или опираться на цоколь, выдвижные полки, дверцы и т. д.
- Перед размораживанием и очисткой прибора выньте вилку сетевого шнура из розетки или выключите автоматический предохранитель. Тяните только за вилку, а не за шнур.
- Всегда храните крепкие алкогольные напитки в плотно закрытых бутылках и в вертикальном положении.
- Оберегайте пластмассовые детали и уплотнители дверцы от жирных и масляных загрязнений, так как они разрушают поверхность пластмассы и делают её пористой.
- Никогда не закрывайте и не загораживайте вентиляционные отверстия прибора.
- Лица (взрослые и дети) с ограниченными физическими, умственными и психическими возможностями, а также лица, не обладающие достаточными знаниями о приборе, могут использовать прибор только под присмотром или после подробного инструктажа.
- Не храните в морозильном отделении жидкости (особенно газированные) в бутылках и банках, так как они могут лопнуть!
- Никогда не употребляйте замороженные продукты сразу же после того, как достали их из морозильного отделения. Опасность обморожения!
- Избегайте длительного контакта с замороженными продуктами, льдом, трубками испарителя и т.д. Опасность обморожения!

## Дети в доме

- Не давайте детям упаковку и её части! Опасность гибели от удушья в полиэтиленовой плёнке или картонной коробке!
- Прибор - не детская игрушка!
- Если дверца прибора запирается на замок, храните ключ в недоступном для детей месте!

## Общие положения

Данный прибор предназначен:

- для замораживания продуктов;
- для приготовления льда.

Данный прибор предназначен исключительно для использования в домашнем хозяйстве.

Данный прибор отвечает требованиям электромагнитной совместимости в соответствии с Директивой 2004/108/ЕС.

Контур хладагента прошёл проверку на герметичность.

Результат проверки соответствует нормам по безопасности электроприборов (EN 60335-2-24).

## Указания по утилизации

### Утилизация упаковки

Упаковка защищает прибор от повреждений при транспортировке. Все упаковочные материалы экологически безопасны и могут использоваться повторно. Помогите защитить окружающую среду: утилизируйте упаковку экологически безопасным способом.

О принятых способах утилизации узнайте в магазине, где вы купили прибор, или в местной администрации.

### Утилизация старого прибора

Старая бытовая техника – не бесполезные отходы! При её правильной утилизации может быть получено ценное сырьё.



Данный прибор маркирован в соответствии с европейской Директивой 2002/96/EG для электрических и электронных приборов (waste electrical and electronic equipment - WEEE). Данная директива определяет действующие на территории ЕС правила возврата и утилизации старой бытовой техники.

### Предупреждение

Для отслуживших приборов:

1. Выньте вилку сетевого шнура из розетки.
2. Отрежьте шнур и выбросите его вместе с вилкой.
3. Полки и ёмкости не вынимайте! Они помешают детям забраться внутрь.
4. Не разрешайте детям играть с отслужившим прибором. Опасность удушения!

В холодильных приборах содержится хладагент, а в их изоляции – газы. Утилизация хладагентов и газов должна производиться в соответствии с действующими нормами. Оберегайте трубки контура охлаждения от повреждений до утилизации прибора.

## Комплект поставки

Распаковав прибор, проверьте все его части на возможные повреждения, возникшие при транспортировке.

В случае рекламации обратитесь к продавцу, у которого вы приобрели прибор, или в нашу сервисную службу.

Прибор поставляется в следующей комплектации:

- Напольный прибор
- Принадлежности (в зависимости от модели)
- Руководство по эксплуатации
- Сервисная книжка
- Гарантийный талон
- Информация о потреблении энергии и шумах
- Пакет с крепёжными деталями.

# Установка прибора

## Транспортировка

Для облегчения транспортировки прибора он оснащен специальными колесиками. Рис. 4

### Предупреждение

При необходимости зафиксируйте прибор для предотвращения откатывания.

## Удаление транспортировочных фиксаторов

Рис. 8 (не для всех моделей)

Снимите четыре транспортировочных фиксатора, находящиеся между крышкой и прибором.

Два из них вставьте в предназначенные для этого крепления на задней стороне прибора. Они помогут соблюсти минимальное расстояние до стены и обеспечат нормальное открывание крышки, а также вентиляцию прибора. Благодаря этому расход электроэнергии не превысит установленных норм.

## Место установки

Устанавливайте прибор в сухом, хорошо проветриваемом помещении. Следите за тем, чтобы прибор не находился под воздействием прямых солнечных лучей и источников тепла, таких как печи, батареи отопления и т.д. Если установить прибор вдали от источника тепла не представляется возможным, обеспечьте его подходящую теплоизоляцию и выдержите хотя бы минимальное расстояние:

- 3 см до электрических и газовых плит.
- 30 см до печей на жидком и твердом топливе.

При установке прибора около стены расстояние до задней и боковых стенок прибора должно составлять не менее 70 мм.

## Основание

Пол в месте установки должен быть достаточно прочным. При необходимости его нужно укрепить.

Выровняйте прибор по уровню.

При необходимости компенсируйте неровности пола с помощью подкладок.

# Температура воздуха в помещении и вентиляция

## Температура в помещении

Прибор относится к определённому климатическому классу. В зависимости от климатического класса прибор можно эксплуатировать при следующих температурах в помещении.

Климатический класс указан на типовой табличке прибора, рис. 11/10.

| Климатический класс | Допустимая температура в помещении |
|---------------------|------------------------------------|
| SN                  | от +10 °С до +32 °С                |
| N                   | от +16 °С до +32 °С                |
| ST                  | от +16 °С до +38 °С                |
| T                   | от +16 °С до +43 °С                |

**Указание!**

В указанных температурных пределах прибор полностью работоспособен. Если прибор климатического класса SN эксплуатируется в помещении с более низкой температурой, можно рассчитывать, что при температуре до +5 °С прибор будет работать без повреждений.

**Вентиляция**

Рис. 10

Воздух у задней и боковых стенок прибора нагревается. Необходимо обеспечить возможность его беспрепятственного выхода. В противном случае возможна перегрузка холодильного агрегата, что приводит к повышенному потреблению тока. Поэтому никогда не закрывайте и не загораживайте вентиляционные отверстия прибора!

**Подключение прибора**

После установки прибора подождите минимум 1 час, прежде чем вводить прибор в эксплуатацию. Во время транспортировки залитое в компрессор масло может попасть в систему охлаждения.

Перед первым вводом прибора в эксплуатацию очистите его внутри (см. главу «Очистка прибора»).

**Подключение к электросети**

Розетка, к которой подключается прибор, должна находиться вблизи прибора и быть доступной после его установки.

Прибор имеет класс защиты I. Подключите прибор к сети переменного тока 220-240 В/50 Гц через установленную согласно предписаниям заземлённую розетку. Цепь розетки должна быть защищена предохранителем на 10-16 А.

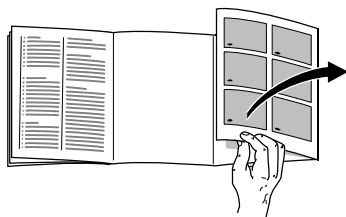
При эксплуатации прибора не в странах ЕС необходимо убедиться, что параметры электросети соответствуют значениям напряжения и тока прибора. Эти данные указаны на типовой табличке, рис. 11.

**⚠ Предупреждение**

Запрещается подключать прибор к электронным энергосберегающим розеткам.

Для наших приборов можно использовать синусоидальные и сетевые преобразователи. Преобразователи, ведомые сетью, используются в солнечных энергоустановках, подключаемых непосредственно к электросетям общего пользования. При использовании прибора в особых условиях (например, на дачах или плавательных судах), где нельзя подключиться к общественной электросети, необходимо использовать синусоидальный преобразователь.

## Знакомство с прибором



Разверните последнюю страницу с рисунками. Настоящая инструкция по эксплуатации действительна для нескольких моделей.

Поэтому возможны незначительные расхождения между рисунками и фактическим прибором.

Рис. 1

\* не для всех моделей

### 1-5 Панель управления

#### 6 Внутренняя подсветка \*

#### 7 Корзина \*

#### 8 Отделение для хранения

#### 9 Сток для талой воды, с пробкой

#### 10 Типовая табличка

#### 11 Отделение для замораживания \*

#### 12 Съёмная перегородка \*

## Панель управления

Рис. 2

### 1 Режим «eco»

Если прибор заполнен только частично (максимум до отметки «eco» на перегородке (у приборов с перегородкой)), можно выбрать этот режим в целях экономии электроэнергии.

### 2 Регулятор температуры

Для регулировки температуры в морозильном отделении (поворачивать с помощью монеты).

Положение 1: самая высокая температура

Положение 6: самая низкая температура

### 3 Индикатор «alarm»

Индикатор горит красным светом, если температура в приборе слишком высокая.

### 4 Индикатор «power»

Индикатор горит зелёным светом, если прибор включен.

### 5 Кнопка «super»

Для включения и выключения функции суперзаморозки.

Индикатор горит жёлтым светом, если функция суперзаморозки включена.

## Ввод прибора в эксплуатацию

### Включение прибора

- Прибор включается одновременно с подключением его к сети. При этом соответствующий индикатор (рис. 2/4) загорается зеленым светом.
- Если соответствующий индикатор (рис. 2/3) горит красным светом, это означает, что температура в приборе слишком высокая. Загружать продукты можно только после того, как индикатор погаснет.

### Установка температуры

Регулятор температуры установлен на заводе на отметку 4.

Чтобы изменить температуру, поверните регулятор температуры (рис. 2/2).

Положение 1: самая высокая температура

Положение 6: самая низкая температура

Внимание: Температура изменяется довольно медленно.

### Порядок работы прибора

- При включении прибора температура морозильного отделения автоматически устанавливается на  $-18\text{ }^{\circ}\text{C}$ , если не была введена другая температура.
- Если закрыв крышку, Вы не можете сразу же открыть ее вновь, подождите две-три минуты, пока пониженное давление внутри не выровняется.

## Предупреждающие сообщения

### Сигнал отклонения температуры

Если в морозильном отделении повышается температура (прим. до  $-9\text{ }^{\circ}\text{C}$ ) и возникает опасность размораживания продуктов, загорается индикатор «alarm» (рис. 2/3).

## Полезный объём

Данные полезного объема указаны на типовой табличке. Рис. 11

### Максимальное использование объема морозильного отделения

Чтобы разместить в морозильном отделении максимальное количество продуктов, можно из прибора вынуть корзины.

## Морозильное отделение

Морозильное отделение может использоваться:

- для хранения продуктов глубокой заморозки.
- для приготовления кубиков льда
- для замораживания продуктов.

### Указание!

Следите за тем, чтобы прибор всегда был плотно закрыт. При открытой крышке замороженные продукты начинают размораживаться, а стенки прибора - покрываться льдом. Кроме этого, увеличивается расход электроэнергии.



## Максимальная мощность замораживания

Данные максимального объема замораживания за 24 часа указаны на типовой табличке. Рис. III

## Замораживание и хранение продуктов

### Покупка продуктов глубокой заморозки

- Упаковка должна быть неповрежденной.
- Помните о сроке годности.
- Температура в морозильнике магазина должна быть ниже -18 С.
- Рекомендуется переносить продукты глубокой заморозки в сумке-холодильнике и сразу убирать их в морозильное отделение.

### Правила размещения продуктов

При замораживании большого количества продуктов старайтесь класть их на дно прибора. Это обеспечит их максимально быстрое и бережное замораживание. Кладите продукты на дно прибора плашмя. При этом уже замороженные продукты не должны соприкасаться со свежими продуктами, которые только замораживаются.

## Замораживание свежих продуктов

Замораживайте только свежие продукты безупречного качества.

Для сохранения питательной ценности, запаха и цвета овощи рекомендуется перед замораживанием бланшировать. Баклажаны, болгарский перец, цуккини и спаржу можно не бланшировать.

Литературу по замораживанию и бланшированию можно найти в книжных магазинах.

### Указание!

Не кладите рядом замораживаемые и уже замороженные продукты.

- Для замораживания подходят: выпечка, рыба и морепродукты, мясо, дичь, птица, овощи, фрукты, травы, яйца без скорлупы, молочные продукты, например, сыр, масло и творог, готовые блюда и остатки таких блюд, как супы, приготовленное мясо и рыба, блюда из картофеля, запеканки и десерты.
- Для замораживания не подходят: овощи, которые принято есть в свежем виде, например, листовой салат или редиска, яйца в скорлупе, виноград, целые яблоки, груши и персики, сваренные вкрутую яйца, йогурты, простокваша, сметана, крем-фреш и майонез.

## Упаковка замораживаемых продуктов

Герметично упаковывайте продукты, чтобы они не высохли и не потеряли свой вкус.

1. Положите продукты в упаковку.
2. Выпустите из упаковки весь воздух.
3. Герметично закройте упаковку.
4. Напишите на упаковке название продукта и дату замораживания.

### Для упаковки подходят:

Полиэтиленовые пакеты, полиэтиленовая плёнка, алюминиевая фольга, контейнеры для замораживания.

Всё это можно приобрести в хозяйственном магазине.

### Для упаковки не подходят:

Упаковочная бумага, пергаментная бумага, целлофан, мусорные пакеты и вскрытая магазинная упаковка.

### Для закрывания упаковки можно использовать:

Резинки, пластмассовые зажимы, веревку, стойкую к холоду липкую ленту и т.д.

Полиэтиленовые пакеты и плёнку можно заварить с помощью специального аппарата.

## Срок хранения замороженных продуктов

Срок хранения зависит от вида продуктов.

При температуре  $-18\text{ }^{\circ}\text{C}$ :

- рыба, колбасные изделия, готовые блюда, хлебобулочные изделия: до 6 месяцев.
- сыр, птица, мясо: до 8 месяцев.
- овощи, фрукты: до 12 месяцев.

## Суперзаморозка

Продукты должны проморозиться насквозь как можно быстрее. Это позволит сохранить витамины, питательные вещества, внешний вид и вкус продуктов.

Включите функцию суперзаморозки за несколько часов до загрузки свежих продуктов, для того чтобы не возникло нежелательного увеличения температуры в морозильном отделении.

Как правило, достаточно 4-6 часов.

Чтобы максимально использовать мощность морозильного отделения, необходимо включить функцию суперзаморозки за 24 часа.

Небольшое количество продуктов (прим. 10 % от макс. объема морозильного отделения) можно заморозить без включения функции суперзаморозки.

Для включения или выключения функции суперзаморозки нажмите кнопку «super» (рис. 2/5).

При включении функции суперзаморозки загорается индикатор «super» (рис. 2/5). После этого холодильный агрегат работает постоянно. Температура в морозильном отделении понижается.

## Размораживание замороженных продуктов

В зависимости от типа и назначения продукта можно выбрать один из следующих вариантов размораживания:

- при комнатной температуре,
- в холодильнике,
- в электрической духовке, с/без конвекции,
- в микроволновой печи.

### Указание!

Не замораживайте размороженные и даже подтаявшие продукты повторно. Повторное замораживание возможно только после тепловой обработки (варка или жарение).

При этом срок хранения продукта будет меньше максимального.

## Комплектация прибора

### Отделение для замораживания

Рис. 1/11 (не для всех моделей)

В отделении для замораживания свежие продукты замораживаются особенно быстро и бережно. Кладите продукты плашмя на дно или у стенок отделения.

### Съемная корзина

Рис. 9

Для хранения небольшого количества замороженных продуктов.

Если корзины должны стоять на дне прибора, предварительно снимите ручки или опустите их внутрь.

При необходимости в специализированном магазине можно приобрести дополнительные корзины, указав модель прибора (рис. 12).

## Съемная перегородка

Рис. 6 (не для всех моделей)

Перегорodka предотвращает контакт замораживаемых свежих продуктов, находящихся в отделении для замораживания, с уже замороженными продуктами в отделении для хранения.

Если ее вынуть и положить на дно прибора, можно быстро заморозить небольшие продукты или части продуктов, например ягоды клубники, так, чтобы они не касались друг друга. При размораживании перегородку можно использовать для сбора талой воды, подложив ее под сток.

## Выключение и вывод прибора из эксплуатации

### Выключение прибора

- Выдерните вилку шнура из розетки или выключите автоматический предохранитель.

### Вывод прибора из эксплуатации

Если прибор не будет использоваться в течение длительного времени:

1. Выньте все продукты из прибора.
2. Выключите прибор.
3. Разморозьте прибор (см. главу «Размораживание»).
4. Вымойте прибор внутри (см. главу «Очистка прибора»).
5. Оставьте крышку открытой, чтобы внутри не появился затхлый запах.

## Размораживание

Слой инея на стенках контейнеров ухудшает передачу холода на продукты и увеличивает расход электроэнергии. Регулярно удаляйте иней.

### Общие рекомендации

- При загрузке и выгрузке продуктов по возможности открывайте крышку только на короткое время.
- Не устанавливайте прибор во влажных помещениях. Высокая влажность воздуха способствует образованию инея.
- Упаковывайте свежие продукты максимально герметично.

### Внимание

Не счищайте иней и лед ножом и другими острыми предметами, так как при этом можно повредить трубки с хладагентом. Брызги хладагента могут воспламениться или вызвать повреждения глаз.

### Размораживание прибора

- Прим. за 4 часа до размораживания включите режим суперзаморозки, чтобы продукты хорошо проморозились.
- Выньте замороженные продукты и заверните их в несколько слоев газетной бумаги или одеяло и уберите в прохладное место.
- Оставьте крышку открытой и выньте вилку сетевого шнура из розетки.

- Выньте наружную пробку сливного канала (рис. 7/1), выньте поддон или перегородку (при наличии) (рис. 7/2) из прибора, подложите под сливное отверстие (рис. 7/3) для сбора талой воды, после чего выньте внутреннюю пробку сливного канала (рис. 7/4).
- После размораживания вымойте прибор и вытрите насухо.
- Вставьте обе пробки в сливной канал, установите перегородку, подсоедините прибор к сети и загрузите замороженные продукты.

### Быстрое размораживание

Чтобы ускорить процесс размораживания, можно отделить слой льда от стенок с помощью пластмассового шпателя.

### Предупреждение

Не используйте для размораживания прибора размораживающие спреи, открытое пламя (например свечи, керосиновые лампы), а также электрические и нагревательные приборы, в том числе пароочистители и т.д.

Не ставьте кастрюли с горячей водой в прибор для ускорения процесса размораживания.

## Очистка прибора

Целесообразно производить очистку морозильного отделения после каждого размораживания.

### Внимание

- Никогда не используйте для очистки прибора пароочистители!
- Запрещается использовать абразивные, хлор- и кислотосодержащие чистящие средства и растворители.
- Не используйте жесткие или царапающие губки. На металлических поверхностях может возникнуть коррозия.
- Не мойте детали прибора в посудомоечной машине. Они могут деформироваться.
- Не допускайте попадания воды внутрь панели управления или светильника.

### Порядок действий:

1. Перед очисткой прибора выньте вилку из розетки или отключите предохранитель!
2. Выньте замороженные продукты и положите в прохладное место. Положите на них аккумулятор холода (если прилагается).
3. Протрите прибор мягкой тряпкой, смоченной в тёплой воде с небольшим количеством pH-нейтрального средства для мытья посуды.
4. Для очистки уплотнителя дверцы используйте только чистую воду и обязательно вытирайте его насухо.
5. После очистки снова подсоедините и включите прибор.
6. Положите на место замороженные продукты.

## Экономия электроэнергии

- Размещайте прибор в прохладном, сухом, хорошо проветриваемом помещении. Не допускайте воздействия на прибор прямых солнечных лучей и источников тепла, таких как батареи отопления, печи и т.д. При необходимости используйте теплоизоляцию.
- Тёплые продукты нужно сначала охладить и только потом ставить в холодильник.
- Размораживайте замороженные продукты в холодильном отделении. Используйте холод замороженных продуктов для охлаждения других продуктов.
- Дверцы прибора закрывайте как можно быстрее!
- Слой инея в морозильном отделении ухудшает передачу холода на продукты и увеличивает расход электроэнергии. При образовании толстого слоя инея разморозьте прибор!
- Чтобы избежать повышенного потребления электроэнергии, спинку прибора следует время от времени чистить.
- При замораживании среднего количества продуктов (прим. 40 %-60 % от макс. объема морозильного отделения), можно прим. за 6 часов до загрузки продуктов включить режим суперзаморозки, загрузить продукты, после чего выключить режим суперзаморозки.
- Если прибор заполнен продуктами только частично (максимум до отметки «е» на перегородке (у приборов с перегородкой)), рекомендуется использовать экономичный режим «есо».

## Шумы во время работы

### Нормальные шумы

Гудение - работает холодильный агрегат.

Бульканье, клокотание или бурление - хладагент течет по трубкам.

Щелчки - двигатель включается или выключается.

Щелчки при открывании прибора - включается выключатель подсветки.

### Устранение посторонних шумов

#### Прибор стоит неровно

Выровняйте прибор по уровню. При необходимости компенсируйте неровности пола с помощью подкладок.

#### Прибор стоит слишком близко от чего-либо

Отодвиньте прибор от стоящей рядом мебели или других приборов.

#### Корзины или перегородка болтаются или заедают

Проверьте съёмные части и при необходимости переустановите их.

#### Ёмкости соприкасаются друг с другом

Разведите ёмкости в стороны.

## Самостоятельное устранение мелких неисправностей

### Перед тем как звонить в сервисную службу:

Проверьте, не можете ли вы устранить неисправность самостоятельно, руководствуясь следующими указаниями.

Консультации специалистов сервисной службы являются платной услугой даже во время гарантийного срока!

| Неисправность                                      | Возможная причина | Способ устранения  |
|--|-------------------|--|
| Температура существенно отличается от настроенной. |                   | Иногда достаточно на 5 минут выключить прибор.<br><br>Если температура слишком высокая, проверьте через несколько часов, не изменилась ли она.<br><br>Если температура слишком низкая, проверьте ее снова на следующий день. |

| Неисправность  | Возможная причина  | Способ устранения   |
|--|--|---|
| Внутренняя подсветка не работает.  | Неисправна лампа.  | Замените лампу: <ol style="list-style-type: none"> <li>1. Выньте вилку сетевого шнура из розетки или выключите автоматический предохранитель.</li> <li>2. Снимите плафон (рис. 8).</li> <li>3. Замените лампу (запасная лампа, 220-240 В~, цоколь E14, мощность см. на неисправной лампе).</li> </ol> |
| Холодильный агрегат включается всё чаще и работает всё дольше.                   | Слишком часто открывается крышка прибора.<br><br>Перекрыты вентиляционные отверстия. Рис. 10   | Не открывайте крышку прибора без необходимости.<br><br>Откройте вентиляционные отверстия.   |
| Горит индикатор «alarm» (рис. 2/3) (слишком высокая температура внутри прибора). | Слишком часто открывается крышка прибора.<br><br>Загружено слишком много продуктов.<br><br>Перекрыты вентиляционные отверстия. Рис. 10<br><br>Прибор находится рядом с источником тепла. | Не открывайте крышку прибора без необходимости.<br><br>Перед загрузкой продуктов включите функцию суперзаморозки.<br><br>Откройте вентиляционные отверстия.<br><br>Соблюдайте минимальное расстояние или используйте изолирующую плиту.   |
| Не горит зеленая контрольная лампа (рис. 2/4).                                   | Прибор выключен.<br><br>Нарушена подача электроэнергии; предохранитель выключен; вилка плохо вставлена в розетку.  | Вставьте вилку в розетку.<br><br>Проверьте, есть ли ток в сети, проверьте предохранитель.   |

| Неисправность                               | Возможная причина                             | Способ устранения   |
|---|---|---|
| Толстый слой инея по верхнему краю прибора. | Пробки сливного канала вставлены неправильно. | Правильно вставьте пробки сливного канала на дне и передней стороне прибора.              |
|   | Не сняты транспортировочные фиксаторы.        | Снимите все четыре транспортировочных фиксатора (рис. 3) (см. главу «Установка прибора»). |
|   | Слишком часто открывается крышка прибора.     | Не открывайте крышку прибора без необходимости.   |

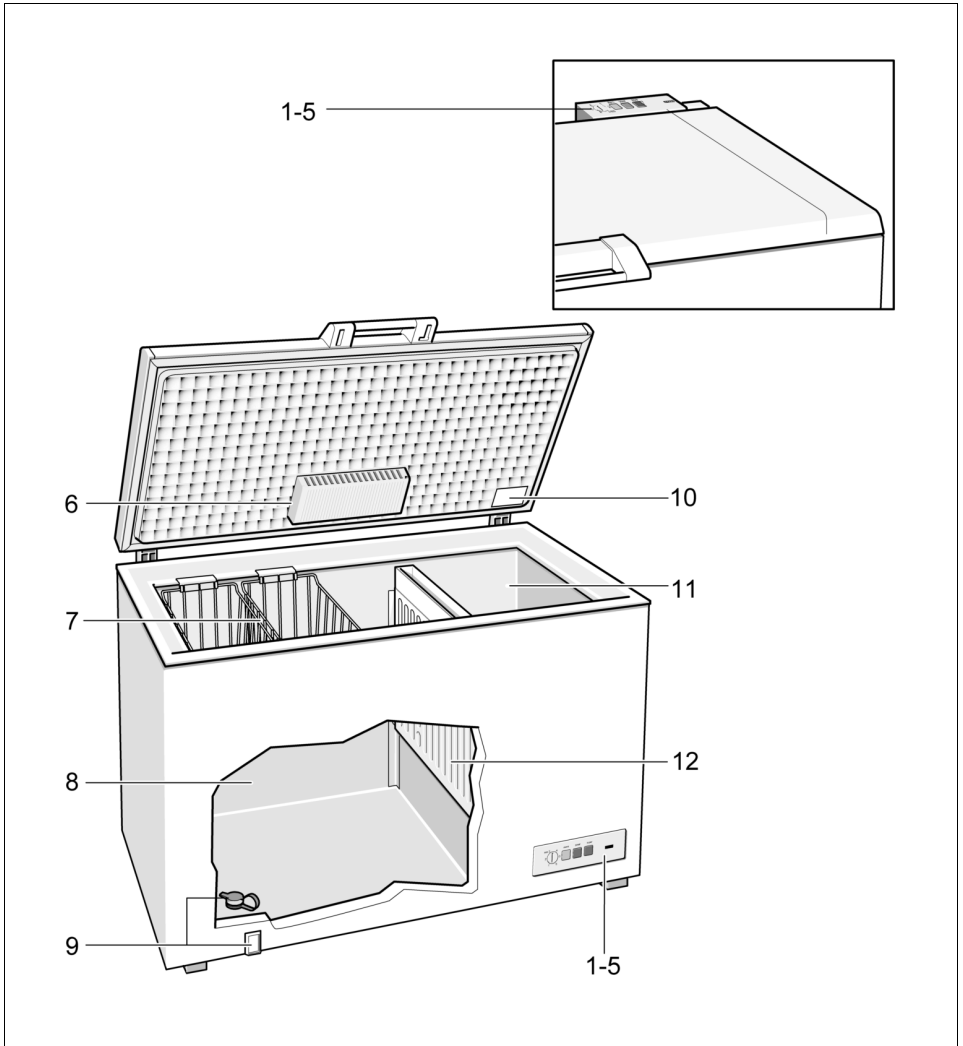
## Сервисная служба

Адрес ближайшего сервисного центра можно найти в телефонном справочнике или списке сервисных центров. При вызове специалиста сервисной службы обязательно укажите номер изделия (номер E) и заводской номер (номер FD) вашего прибора.

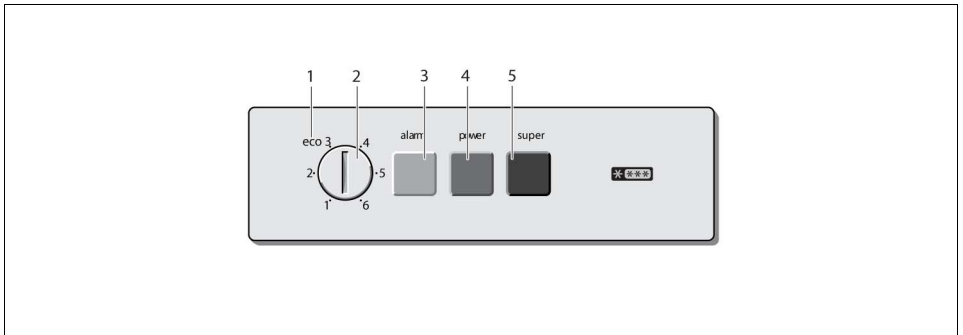
Эти данные указаны на типовой табличке. Рис. 11

Это поможет избежать ненужных выездов специалистов и связанных с этим дополнительных затрат.

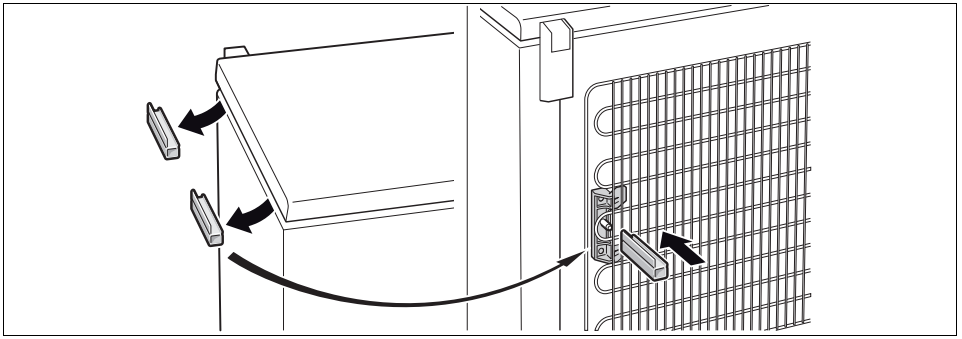




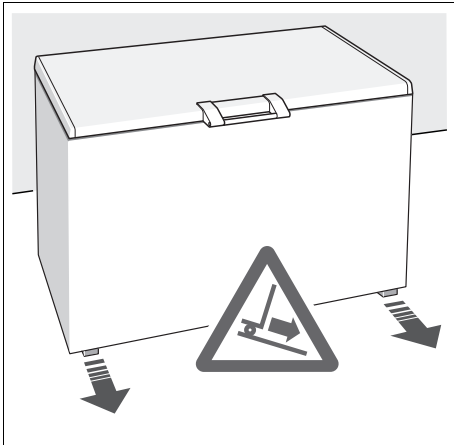
**1**



**2**



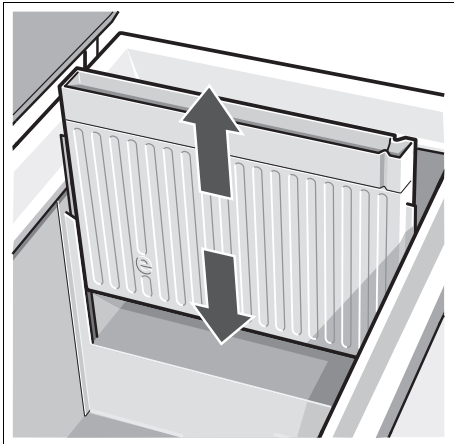
3



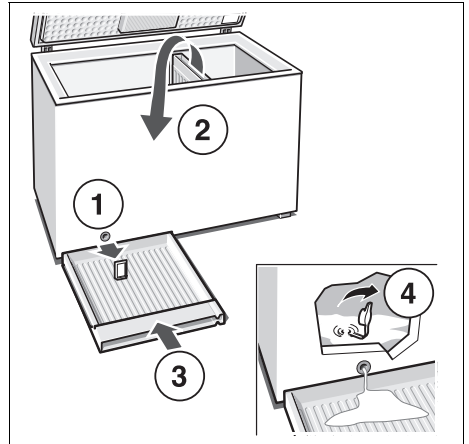
4



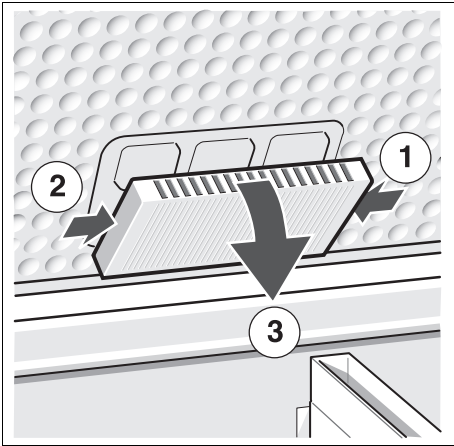
5



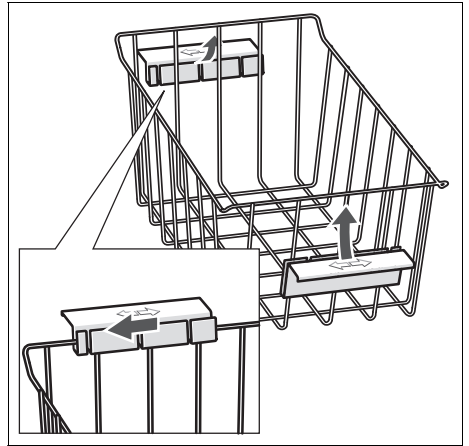
6



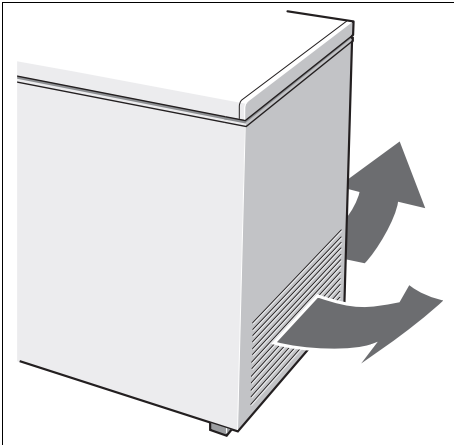
7



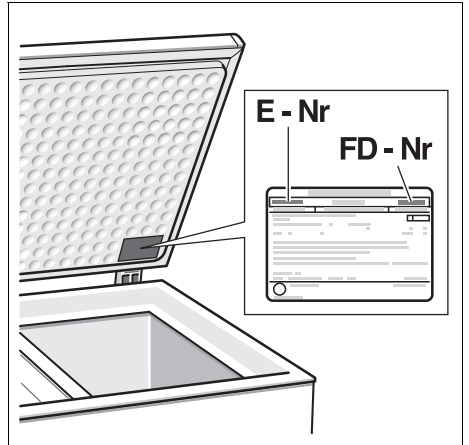
8



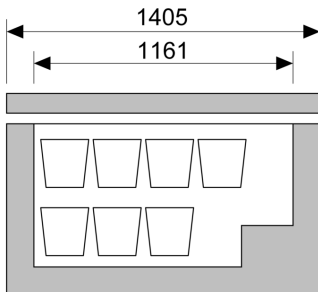
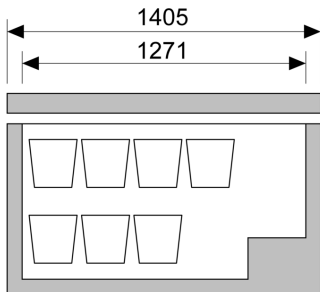
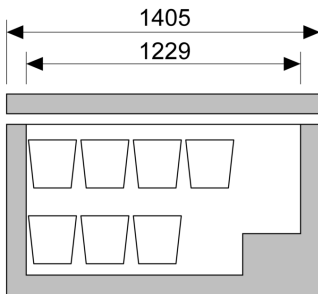
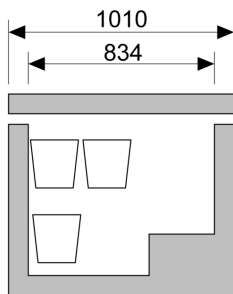
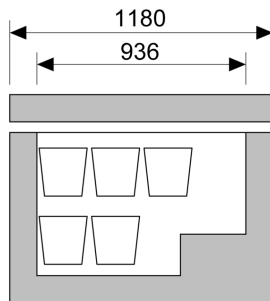
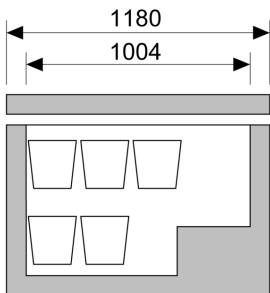
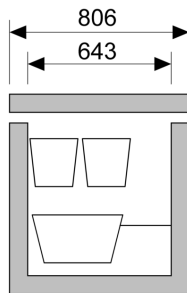
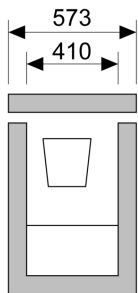
9



10



11



Her zaman  
yanınızdayız

**PROFİLO**

**4447766**

**Çağrı Yönetim Merkezi**

Profilo ile ilgili tüm sorularınız için...

[www.profilo.com.tr](http://www.profilo.com.tr)

EEE Yönetmeliğine Uygundur

BSH Ev Aletleri Sanayi ve Ticaret A.Ş.  
Çakmak Mahallesi, Balkan Caddesi No:51 34770 Ümraniye, İstanbul  
T: 216 528-90 00 F: 216 528-99 99

9000747778 (9203)  
en, tr, ru

