



Cl..

**Fridge-freezer**

**SIEMENS**

---

## en Table of Contents

Safety and warning information .....	3
Information concerning disposal .....	4
Installing the appliance .....	4
Ambient temperature and ventilation .....	4
Scope of delivery .....	5
Connecting the appliance .....	5
Getting to know your appliance .....	6
Switching the appliance on .....	9
Set the language .....	9
Setting the temperature unit .....	9
Setting the temperature .....	9
Special functions .....	10
Alarm function .....	11
Usable capacity .....	11
Refrigerator compartment .....	12
Super cooling .....	12
“Cool-fresh” container .....	12
Freezer compartment .....	13
Max. freezing capacity .....	13
Freezing fresh food .....	13
Super freezing .....	14
Thawing frozen food .....	14
Ice maker .....	14
Water filter .....	15
Specification and performance data sheet ..	16
Interior fittings .....	17
Switching off and disconnecting the appliance .....	17
Defrosting .....	18
Cleaning the appliance .....	18
Odours .....	18
Exchange the odour filter .....	18
Light (LED) .....	19
Tips for saving energy .....	19
Operating noises .....	19
Eliminating minor faults yourself .....	20
Customer service .....	22

## Safety and warning information

### Before you switch ON the appliance

Please read the operating and installation instructions carefully! They contain important information on how to install, use and maintain the appliance.

The manufacturer is not liable if you fail to comply with the instructions and warnings. Retain all documents for subsequent use or for the next owner.

### Technical safety

This appliance contains a small quantity of environmentally-friendly but flammable R600a refrigerant. Ensure that the tubing of the refrigerant circuit is not damaged during transportation and installation. Leaking refrigerant may cause eye injuries or ignite.

If damage has occurred

- Keep naked flames and/or ignition sources away from the appliance,
- thoroughly ventilate the room for several minutes,
- switch off the appliance and pull out the mains plug,
- inform customer service.

The more refrigerant an appliance contains, the larger the room must be in which the appliance is situated. Leaking refrigerant can form a flammable gas-air mixture in rooms which are too small.

The room must be at least 1 m<sup>3</sup> per 8 g of refrigerant. The amount of refrigerant in your appliance is indicated on the rating plate inside the appliance.

If the power cord of this appliance is damaged, it must be replaced by the manufacturer, customer service or a similarly qualified person. Improper installations and repairs may put the user at considerable risk.

Repairs may be performed by the manufacturer, customer service or a similarly qualified person only.

Only original parts supplied by the manufacturer may be used. The manufacturer guarantees that only these parts satisfy the safety requirements.

A extension cable may be purchased from customer service only.

### Important information when using the appliance

- Never use electrical appliances inside the appliance (e.g. heater, electric ice maker, etc.). Risk of explosion!
- Never use a steam cleaner to defrost or clean the appliance! The steam may penetrate electrical parts and cause a short-circuit. Risk of electric shock!

- Do not use pointed and sharp-edged implements to remove frost or layers of ice. You could damage the refrigerant tubes. Leaking refrigerant may ignite or cause eye injuries.
- Do not store products which contain flammable propellants (e.g. spray cans) or explosive substances in the appliance. Risk of explosion!
- Do not stand on or lean heavily against base of appliance, drawers or doors, etc
- To clean the appliance, pull out the mains plug or switch off the fuse! Do not pull out the mains plug by tugging the cable.
- Bottles which contain a high percentage of alcohol must be sealed and stored in an upright position.
- Keep plastic parts and the door seal free of oil and grease. Otherwise, parts and door seal will become porous.
- Never cover or block the ventilation openings for the appliance.
- People (children incl.) who have limited physical, sensory or mental abilities or inadequate knowledge must not use this appliance unless they are supervised or given meticulous instructions.
- Do not store bottled or canned drinks (especially carbonated drinks) in the freezer compartment. Bottles and cans may explode!
- Never put frozen food straight from the freezer compartment into your mouth. Risk of low-temperature burns!
- Avoid prolonged touching of frozen food, ice or the evaporator pipes, etc. Risk of low-temperature burns!

### Children in the household

- Keep children away from packaging and its parts. Danger of suffocation from folding cartons and plastic film!
- Do not allow children to play with the appliance!
- If the appliance features a lock: keep the key out of the reach of children!

### General regulations

The appliance is suitable

- for refrigerating and freezing food,
- for making ice,
- for dispensing drinking water.

This appliance is intended for use in the home and the home environment.

The appliance is suppressed according to EU Directive 2004/108/EC.

The refrigeration circuit has been checked for leaks.

This product complies with the relevant safety regulations for electrical appliances (EN 60335-2-24).

## Information concerning disposal

### Disposal of packaging

The packaging protects your appliance from damage during transit. All utilised materials are environmentally safe and recyclable. Please help us by disposing of the packaging in an environmentally friendly manner.

Please ask your dealer or inquire at your local authority about current means of disposal.

### Disposal of your old appliance

Old appliances are not worthless rubbish! Valuable raw materials can be reclaimed by recycling old appliances.



This appliance is identified according to the European guideline 2002/96/EC on waste electrical and electronic equipment – WEEE. The directive specifies the framework for an EU-wide valid return and re-use of old appliances.

### Warning

Redundant appliances

1. Pull out the mains plug.
2. Cut off the power cord and discard with the mains plug.
3. Do not take out the trays and receptacles: children are therefore prevented from climbing in!
4. Do not allow children to play with the appliance once it has spent its useful life. Danger of suffocation!

Refrigerators contain refrigerant and gases in the insulation. Refrigerant and gases must be disposed of professionally. Ensure that tubing of the refrigerant circuit is not damaged prior to proper disposal.

## Installing the appliance

Have a technician install and connect the appliance according to the enclosed installation instructions.

### Transporting

The appliances are heavy and must be secured during transportation and installation.

Because of the weight / dimensions of the appliance and to minimise the risk of injuries and damage to the appliance at least two persons are necessary to set-up the appliance securely.

### Installation location

A dry, well ventilated room is suitable as an installation location. The installation location should not be exposed to direct sunlight and not placed near a heat source, e.g. a cooker, radiator, etc. If installation next to a heat source is unavoidable, use a suitable insulating plate or observe the following minimum distances from the heat source:

- 3 cm to electric or gas cookers.
- 30 cm to an oil or coal-fired cooker.

The floor of the installation location must not give way; if required, reinforce floor. To ensure that the ice maker functions correctly, the appliance must be upright.

## Ambient temperature and ventilation

### Ambient temperature

The climate class can be found on the rating plate. The climate class indicates within which ambient temperatures the appliance can be operated.

Climate class	Permitted ambient temperature
SN	+10 °C to 32 °C
N	+16 °C to 32 °C
ST	+16 °C to 38 °C
T	+16 °C to 43 °C

### Note

The appliance is fully functional within the room temperature limits of the indicated climatic class. If an appliance of climatic class SN is operated at colder room temperatures, the appliance will not be damaged up to a temperature of +5 °C.

### Ventilation

Conduction of the heated air must not be obstructed. Otherwise, the refrigeration unit must work harder. This increases power consumption. Therefore: Never cover or block the ventilation opening!

---

## Scope of delivery

After unpacking all parts, check for any damage in transit.

If you have any complaints, please contact the dealer from whom you purchased the appliance or our customer service.

The delivery consists of the following parts:

- Built-in appliance
- Interior fittings (depending on model)
- Operating instructions
- Installation manual
- Customer service booklet
- Warranty enclosure
- Information on the energy consumption and noises
- Bag containing installation materials

---

## Connecting the appliance

Have a technician install and connect the appliance according to the enclosed installation instructions.

Do not remove the transportation protection devices from the shelves and storage compartments until the appliance has been installed.

Always connect the water before the power.

Apart from statutory national regulations, you should stick to the connection terms relating to the local electricity and water companies.

After installing the appliance, wait at least 1 hour until the appliance starts up. During transportation the oil in the compressor may have flowed into the refrigeration system.

Before switching on the appliance for the first time, clean the interior of the appliance (see chapter "Cleaning the appliance").

## Water connection

### Caution

Connect the appliance to a drinking water line.

The water may be connected only by a competent fitter according to the local regulations of the appropriate water supply company.

A cold water connection is necessary for operating the automatic ice maker. The water pressure must be between 0.17 MPa and 10 MPa (1.7 and 10 bar). The installation must correspond to the local plumbing regulations.

A separate shut-off valve should be installed in the cold-water inflow.

The shut-off valve should not be located behind the appliance. It is recommended that you mount the shut-off valve directly next to the appliance or at another place which is easily accessible.

When installing the water connection, pay attention to the permissible installation area for the water mains.

For connection to the drinking water mains use only water pipes which are suitable for drinking water.

Observe national regulations and the connection conditions of the local water supply companies.

The maximum outside diameter of the water mains (without connecting pieces) is 10 mm.

## Electrical connection

The socket must be near the appliance and also freely accessible following installation of the appliance.

The appliance complies with the protection class I. Connect the appliance to 220-240 V/50 Hz alternating current via a correctly installed socket with protective conductor. The socket must be fused with a 10 to 16 A fuse.

For appliances operated in non-European countries, the identification plate should be checked whether the electric supply and the current model stated match the values of the mains supply. The rating plate is situated in the bottom left-hand side of the appliance.

### Warning

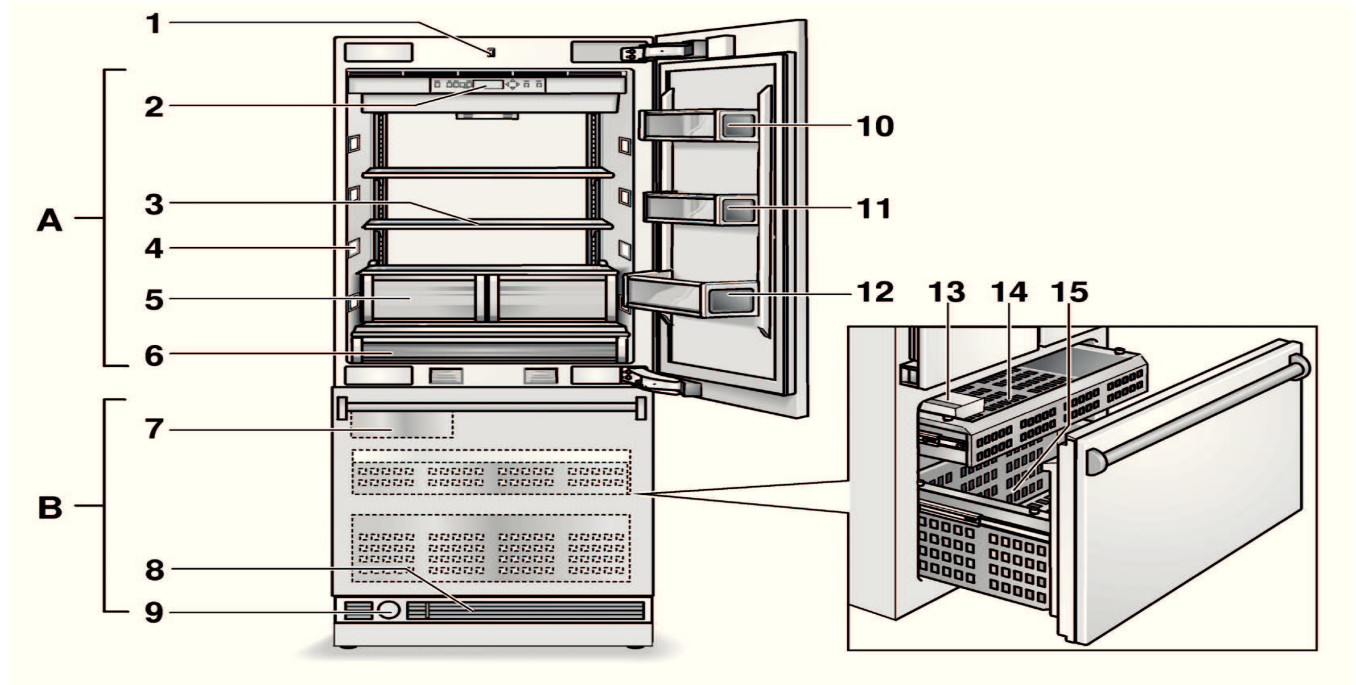
Never connect the appliance to electronic energy saver plugs.

Our appliances can be used with mains and sine-controlled inverters. Mains-controlled inverters are used for photovoltaic systems which are connected directly to the national grid. Sine-controlled inverters must be used for isolated applications (e.g. on ships or in mountain lodges) which are not connected directly to the national grid.

# Getting to know your appliance

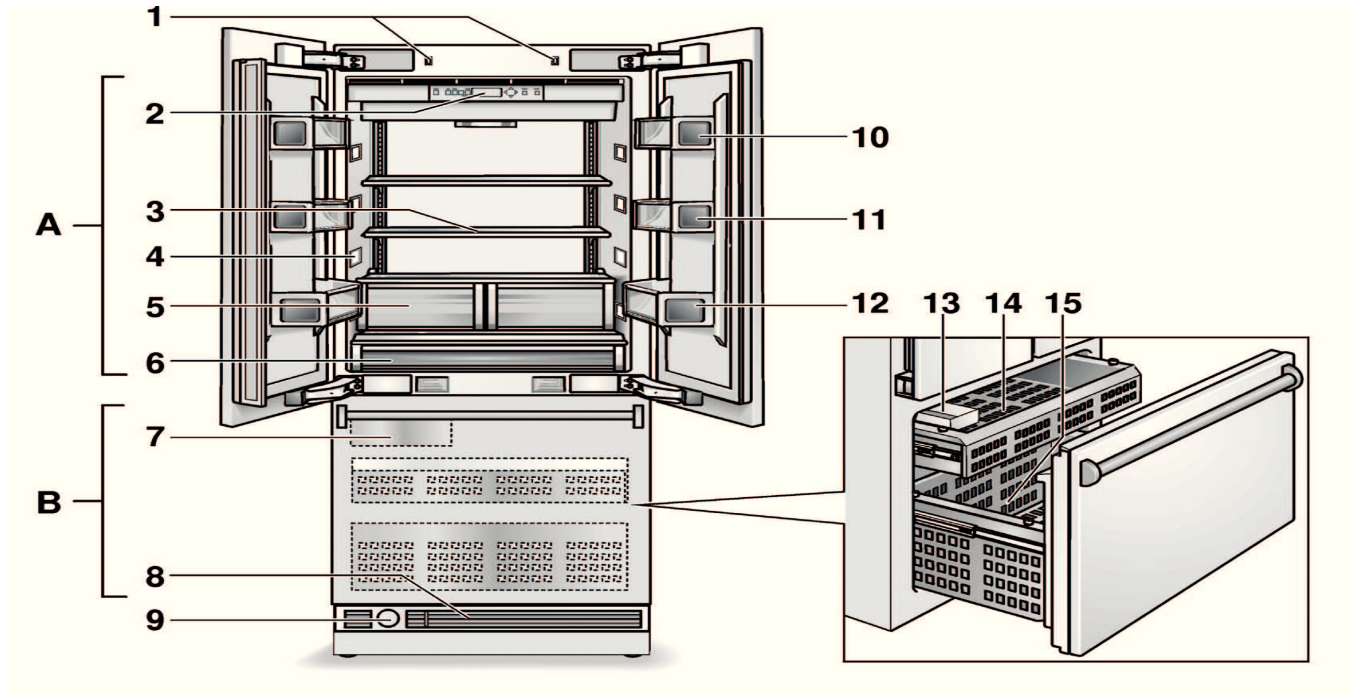
These operating instructions refer to several models.  
The diagrams may differ.

## 2 door model



- A Refrigerator compartment
- B Freezer compartment
  
- 1 Light switch
- 2 Controls
- 3 Glass shelf
- 4 Light (LED)
- 5 Fruit and vegetable container
- 6 "Cool-fresh" container
- 7 Ice maker
- 8 Ventilation
- 9 Water filter
- 10 Butter and cheese compartment
- 11 Door shelf
- 12 Storage compartments for large bottles
- 13 Ice cube container
- 14 Container
- 15 Door drawer

**3 door model**

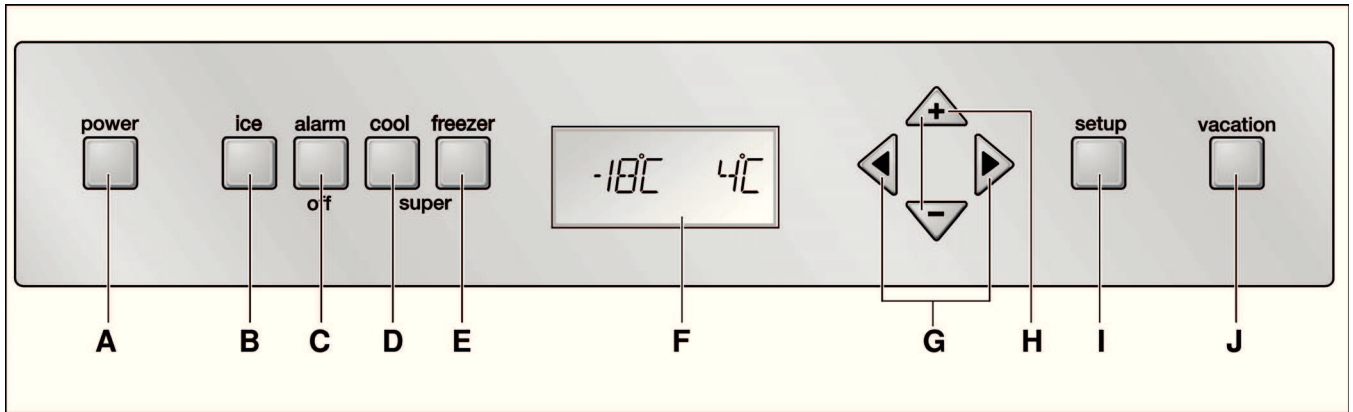


A Refrigerator compartment  
 B Freezer compartment

- 1 Light switch
- 2 Controls
- 3 Glass shelf
- 4 Light (LED)
- 5 Fruit and vegetable container
- 6 "Cool-fresh" container
- 7 Ice maker
- 8 Ventilation
- 9 Water filter
- 10 Butter and cheese compartment
- 11 Door shelf
- 12 Storage compartments for large bottles
- 13 Ice cube container
- 14 Container
- 15 Door drawer



**Controls**







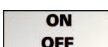



- A On/Off button**  
Serves to switch the whole appliance on and off.
- B Ice maker button**  
Serves to switch the ice maker on and off, see chapter Ice maker.
- C Alarm button**  
Used to switch off the warning signal, (see chapter "Alarm function").
- D "Super" button (refrigerator compartment)**  
Switches super cooling on and off.
- E "Super" button (freezer compartment)**  
Switches super freezing on and off.
- F Display panel**  
The temperatures in the refrigerator compartment and in the freezer compartment are shown in the display panel. Activated special functions are shown via "symbol".  
The menus and setting options which are available are represented on the display panel in the setup mode, see chapter "Special functions".
- G Selection buttons**  
The temperature setting is activated using the selection buttons (see chapter Setting the temperature).  
For selecting a menu in the setup mode (see chapter Special functions).

- H Setting buttons**  
The temperature can be changed using the setting buttons (see chapter "Setting the temperature").  
More settings can be selected in the setup mode, (see chapter "Special functions").
- I "setup" button**  
This button starts and ends the setup mode. If the setup mode is ended using the setup button, the changes which have been made are stored.
- J Button Vacation**  
Is used to switch vacation mode on and off, (see chapter Special functions, section Vacation mode).

**Note**

A sound can be heard every time a button is actuated if this function is activated in the sound menu during the setup mode.

Symbols in the display field

-  Refrigerator compartment display
-  Freezer compartment display.
-  Super cooling or super freezing is active, see chapter Super cooling and Super freezing.
-  Holiday mode is activated, see chapter Special functions.
-  For the setting options in the set up mode, see chapter Special functions.
-  A warning message is displayed, see chapter Alarm function.
-  Ice maker is switched on, see chapter Ice maker.
-  Signal to the water filter is displayed, see chapter Water filter.



## Switching the appliance on

Switch on the appliance with the On/Off button. The appliance begins to cool. Light is switched on when the door is open.

The factory has recommended the following temperatures:

- Refrigerator compartment: +4 °C
- Freezer compartment: -18 °C

## Operating tips

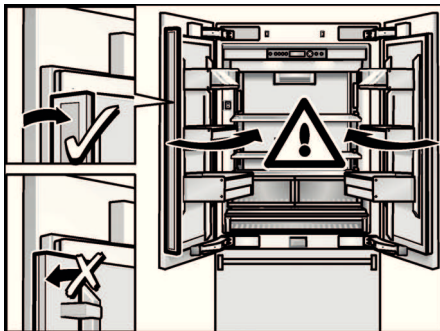
The appliance features a rail which is fitted to the left door.

The door of the refrigerator compartment can be opened without having to first open the right door.

A heating element is integrated into the bar in order to avoid condensation. This can be switched on and off (see chapter "Special functions", section "Door rail heater").

### Caution

To prevent damage to the appliance or the furniture fronts, fold the rail when closing the door.



## Set the language

The display languages can be changed according to the table in the chapter "Special functions", "Setup mode".

In order to change the display language:

1. Press setup button.
2. Press the < or > setting button, until the set language is displayed.
3. Press the + or - setting button, until the desired language is displayed.
4. Press the setup button, in order to store the settings. The set temperature is displayed again in the fascia.

## Setting the temperature unit

The temperature can be displayed in degrees Celsius (°C) or degrees Fahrenheit (°F).

1. Press setup button. The first menu (temperature unit) is displayed.
2. Press the + or - setting button in order to switch between degrees Fahrenheit (°F) and degrees Celsius (°C).
3. Press the setup button, in order to store the settings. The set temperature is displayed again in the fascia.


## Setting the temperature

### Refrigerator compartment

(can be selected from +2 °C to +8 °C)

We recommend a setting of +4 °C.

Perishable food should not be stored above +4 °C.

1. Activate the setup mode with the selection button >. The symbol  is displayed.
2. Set the temperature with the + (warmer) or - (cooler) selection buttons.

### Freezer compartment

(can be selected from -16 °C to -24 °C)

We recommend a setting of -18 °C.

1. Activate the setup mode with the selection button <.
2. Set the desired temperature with the + (warmer) or - (cooler) setting buttons.

## Special functions

The following special functions can be selected or displayed:

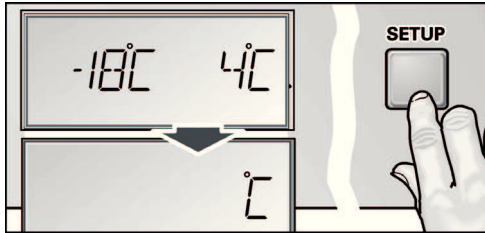
### Setup mode

In Setup mode you can make your personal settings.

#### Switching on

Press setup button.

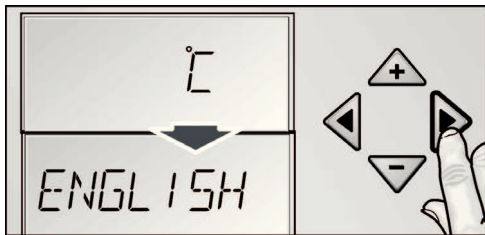
The first menu (temperature unit) is displayed in the fascia.



#### Making settings

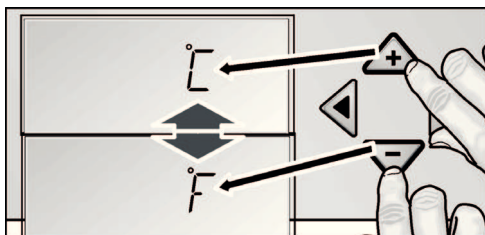
1. Switch on setup mode.
2. Press the selection button < or >.
 

The next menu is displayed and its current setting (mostly **ON** or **OFF**).



3. Press the setting button + or -.
 

The setting is saved, if the next menu is selected using < or >.



#### Switching off

Press setup button.

All of the changed settings are stored.

#### Note

If no button is selected within 20 seconds, the setup mode ends automatically. All of the changed settings are stored. The set temperature is displayed again in the fascia.

### Menus in the setup mode

The following settings can be made.

Menu	Possible setting
Temperature unit	°C (degrees Celsius)
	°F (degrees Fahrenheit)
Language	Deutsch
	English
	French
	Danish
	Finnish
	Greek
	Dutch
	Italian
	Polish
	Portuguese
	Norwegian
	Russian
	Swedish
Spanish	
Turkish	
Czech	
Sound	On
	Off
Energy saving mode (eco function)	On
	Off

### Vacation mode

If leaving the appliance for a long period of time, you can switch the appliance over to the energy-saving vacation mode.

When Vacation mode is switched on, the following settings are made:

- The appliance works in energy saving mode.
- The illumination is switched off.
- Super cooling or super freezing is then ended (if activated).

#### Switching on

Press Vacation button.

**VACATION** is displayed in the display panel.

#### Switching off

Press Vacation button.

The previous settings and temperature values are once again activated.

## Sabbath mode

When Sabbath mode is switched on, the following settings are switched off:

- Super cooling (if it is switched on)
- Super freezing (if it is switched on)
- Ice maker
- Acoustic signal
- Interior light
- Messages on the display panel
- The background illumination of the display panel is reduced
- Buttons are locked

### Switching on

1. Press and hold down the “super” button refrigerator compartment.
2. Press Vacation button.
3. Press “super” button and hold down for 3 seconds longer.

The symbol **VACATION** flashes on the display panel and **SABBATH** is displayed.

### Switching off

Press Vacation button.

The previous settings and temperature values are once again activated.

## Energy saving mode

If the energy saving function (eco function) is activated, the appliance switches to energy saving operation. This energy saving function is preset at the factory in order to reduce energy consumption. The background illumination of the fascia is likewise reduced.

### Switching on

1. Press setup button.
2. Press the selection button  $\gt$ , until **ECO MODE** and the current setting (**OFF**) is displayed.
3. Press the setting button **+**, in order to reset the setting.
4. Press the setup button, in order to store the setting.  
**ECO** is displayed in the fascia.

### Switching off

1. Press setup button.
2. Press the selection button  $\gt$ , until **ECO MODE** and the current setting (**ON**) is displayed.
3. Press the setting button **-**, in order to reset the setting.
4. Press the setup button, in order to store the setting.

## Door rail heater

To prevent condensation, the door rail heater can be switched on and off as required.

### Switching on

1. Press setup button.
2. Press the selection button  $\gt$ , until **DRY DOOR** and the current setting (**OFF**) is displayed.
3. Press the setting button **+**, in order to reset the setting.
4. Press the setup button, in order to save the setting.

### Switching off

1. Press setup button.
2. Press the selection button  $\gt$ , until **DRY DOOR** and the current setting (**ON**) is displayed.
3. Press the setting button **-**, in order to reset the setting.
4. Press the setup button, in order to save the setting.

---

## Alarm function

### Switching off the warning signal

Press the “alarm” button to switch off the warning signal.

### Door alarm

The door alarm switches on if an appliance door is left open for longer than three minutes. Close the door to switch off the warning signal.

---

## Usable capacity

Information on the usable capacity can be found inside your appliance on the rating plate (see diagram at chapter “Customer service”).

## Refrigerator compartment

The refrigerator compartment is the ideal storage location for ready meals, cakes and pastries, preserved food, condensed milk, hard cheese, fruit and vegetables sensitive to cold as well as tropical fruit.

### When purchasing food, please note:

The “purchase freshness” is important for the shelf-life of your food.

In principle, the fresher the produce when placed in the “cool-fresh” compartment, the longer it stays fresh.

Therefore, when buying food, always pay attention to the degree of freshness.

Observe the best-before date specified by the manufacturer for ready products and bottled products.

### Arranging food in the appliance

- Wrap or cover food before placing in the appliance. This will retain the aroma, colour and freshness of the food. In addition, flavours will not be transferred between foods and the plastic parts will not become discoloured.
- Allow warm food and drinks to cool down before placing in the appliance.
- Do not block air outlet openings with food in the refrigerator compartment, otherwise the air circulation will be impaired.  
Food which is stored directly in front of the air outlet openings may be frozen by the cold air flowing out.
- Avoid contact of oil and fat with the plastic parts and door seal.

## Super cooling

Super cooling cools the refrigerator compartment as cold as possible for approx. 6 hours. Then the appliance automatically switches to the temperature set prior to super cooling mode.

Switch on super cooling mode, e.g.:

- Before placing large quantities of food in the refrigerator compartment
- For fast cooling drinks

### Switching on

Press super button refrigerator compartment.

The display panel indicates the symbol **SUPER** ❄️ and the compartment for which the function was switched on.



### Switching off

Press super button refrigerator compartment.

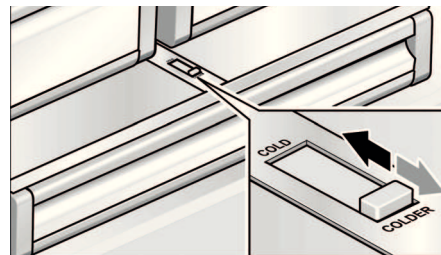
## “Cool-fresh” container

The “cool-fresh” container has a temperature of almost 0 °C. Ideal for storing fish, meat, sausage, cheese and milk.

The temperature in the “cool-fresh” container can be reduced slightly with the slide control.

We recommend the following controller position:

- COLD: Meat, sausage and poultry
- COLDER: Fish



---

## Freezer compartment

Use the freezer compartment:

- To store deep-frozen food.
- To freeze food.
- To make ice cubes.

### Note

Ensure that the freezer compartment door is always closed properly. If the door is open, the frozen food will thaw. The freezer compartment will become covered in thick ice.

Also: Energy will be lost due to high power consumption.

## Purchasing frozen food

- Packaging must not be damaged.
- Use by the “use by” date.
- Temperature in the supermarket freezer must be  $-18\text{ }^{\circ}\text{C}$  or lower.
- If possible, transport deep-frozen food in an insulated bag and place quickly in the freezer compartment.

---

## Max. freezing capacity

Information about the max. freezing capacity within 24 hours can be found on the rating plate (see diagram at chapter “Customer service”).

---

## Freezing fresh food

Freeze fresh and undamaged food only.

To retain the best possible nutritional value, flavour and colour, vegetables should be blanched before freezing. Aubergines, peppers, zucchini and asparagus do not require blanching.

Literature on freezing and blanching can be found in bookshops.

### Note

Keep food which is to be frozen away from food which is already frozen.

- The following foods are suitable for freezing:  
Cakes and pastries, fish and seafood, meat, game, poultry, vegetables, fruit, herbs, eggs without shells, dairy products such as cheese, butter and quark, ready meals and leftovers such as soups, stews, cooked meat and fish, potato dishes, soufflés and desserts.
- The following foods are not suitable for freezing:  
Types of vegetables, which are usually consumed raw, such as lettuce or radishes, eggs in shells, grapes, whole apples, pears and peaches, hard-boiled eggs, yoghurt, soured milk, sour cream, crème fraîche and mayonnaise.

## Packing frozen food

To prevent food from losing its flavour or drying out, place in airtight containers.

1. Place food in packaging.
2. Remove air.
3. Seal the wrapping.
4. Label packaging with contents and date of freezing.

### Suitable packaging:

Plastic film, tubular film made of polyethylene, aluminium foil, freezer containers.  
These products are available from specialist outlets.

### Unsuitable packaging:

Wrapping paper, greaseproof paper, cellophane, bin liners and used shopping bags.

### Items suitable for sealing packaged food:

Rubber bands, plastic clips, string, cold-resistant adhesive tape, etc.

Bags and tubular film made of polyethylene can be sealed with a film heat sealer.

## Shelf life of frozen food

Depends on the type of food.

At a temperature of  $-18\text{ }^{\circ}\text{C}$ :

- Fish, sausage, ready meals and cakes and pastries:  
up to 6 months
- Cheese, poultry and meat:  
up to 8 months
- Vegetables and fruit:  
up to 12 months

## Super freezing

Food should be frozen solid as quickly as possible in order to retain vitamins, nutritional value, appearance and flavour.

To prevent an undesirable temperature rise when placing fresh food in the freezer compartment, switch on super freezing several hours beforehand. As a rule, 4–6 hours is adequate. 24 hours are necessary when using the maximum freezer capacity fully.

After 2 days the temperature set before super freezing is automatically restored.

### Switching on

Press super freezing button.

The display panel indicates the symbol **SUPER** ❄️ and the compartment for which the function was switched on.



### Switching off

Press super freezing button.

## Thawing frozen food

Depending on the type and application, select one of the following options:

- at room temperature
- in the refrigerator
- in an electric oven, with/without fan assisted hot-air
- in the microwave

### ⚠️ Caution

Do not refreeze food which is beginning to thaw or which has already thawed. It can only be refrozen when it has been used to prepare a ready meal (boiled or fried).

No longer store the frozen produce for the max. storage period.

## Ice maker

The ice maker makes ice cubes.

The ice maker starts to make ice cubes as soon as the appliance has reached the set temperature. If the ice cube container is full, the ice maker automatically switches off.

The ice maker can make approx. 1.3 kg ice cubes within 24 hours.

### ⚠️ Caution

Do not place bottles or food in the cube container in order to cool them quickly. The ice maker may block and be damaged.

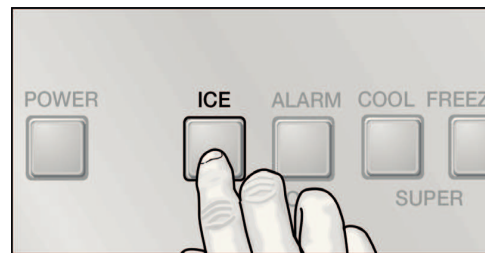
### Switching on

#### Note

If the ice maker is used for the first time and/or a long period of not being used, do not use the ice which is produced in the first day for hygiene reasons. Throw the ice cubes away and clean the container!

1. Make sure that ice maker container is in its place and locked into position.
2. Press ice maker button .

The symbol **ICE** is lit on the display panel.



### Switching off

#### Note

Before switching off the ice maker, it is most important that you switch the water supply to the appliance off for a few hours.

Press ice maker button.

## Water filter

### Warning

Do not use the appliance in places where the water quality is risky or not sufficiently known about without suitable disinfection, before and after filtering.

A filter cartridge for filtering particles can be obtained from customer service or a specialist dealer.

### Caution

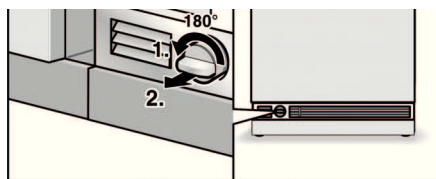
- After installing a new filter, always discard the ice produced within the first 24 hours after switching on the ice maker.
- If the ice has not been used for a prolonged period, pour all ice cubes out of the container and also discard the ice produced within the next 24 hours.
- If the appliance or the ice has not been used actively for several weeks or months or if the ice cubes have an unpleasant taste or odor, change the water filter.
- Air trapped in the system may cause water to escape and the filter cartridge to be ejected. Caution when removing.
- The filter must be changed at least every 6 months.

### Note

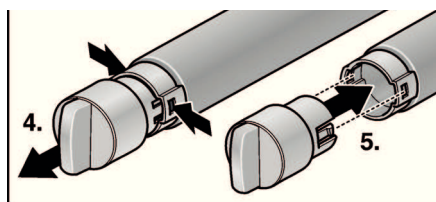
After use, the water system is subject to low pressure. Be careful when removing the filter!

## Exchanging the filter cartridge

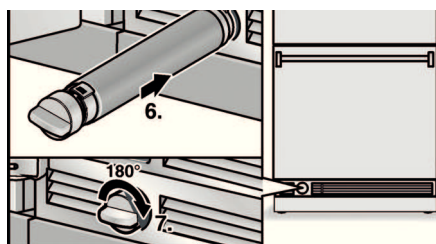
1. Turn the filter cap on the base of the appliance by 90-180° anti-clockwise.
2. Pull out the filter cartridge.



3. Take a new filter cartridge from the packet and remove the protective cap.
4. Take the filter cap off of the used filter cartridge.
5. Place the filter cap on the fresh filter cartridge.



6. With the filter cap in a horizontal position, feed the filter cartridge into the opening on the appliance base as far as it will go.
7. Turn the filter cartridge 90-180° in a clockwise direction.



8. Pour water out of the used filter cartridge. The filter cartridge can be disposed of in the household rubbish.



# Specification and performance data sheet

**For filter model: 9000 077 095**

**Using replacement cartridge: 9000 077 104**

The model was tested by NSF International with reference to ANSI/NSF Standards 42 & 53 and certified for a reduction in the substances cited below.

The concentration of the indicated substances which are dissolved in water and penetrate the system was reduced to a value below or equal to the permitted limit value in accordance with ANSI/NSF 42 and 53 for water discharged out of the appliance.

Substance	Average in inflow	Inflow concentration	Waste water concentration	Average reduction as %	Max. permitted concentration in waste water	Max. waste water	Min. reduction as %	NSF test
Cysts *	166.500	Min. 50.000/l	1	99.99	99.95	1	99.99	511077-03
Turbidity	10.7	11 x 1 NTU	0.3 l	97.10	0.5 NTU	0.49	95.42	511078-03
Particle class I Particle size > 0.5 to < 1.0 µm	5.700.000	At least 10.000 particles/ml	30.583	99.52	> 85%	69.000	98.9	511079-03
Taste of chlorine and turbidity	1.9	2.0 mg/l +- 10%	0.05	97.3	> 50%	0.06	96.84	511081-03

\* Based on the use of Cryptosporium parvum ocysts.

**Application guidelines / Water supply parameters:**

Water pressure                    207 - 827 kPa  
 Water temperature \*            0.6 °C - 38 °C  
 Flow rate                            2.83 l/min.

- The system is to be installed and operated according to the guidelines recommended by the manufacturer.
- The filter is to be changed every 6-9 months.
- Rinse new filter thoroughly for 5 minutes.
- More detailed information can be found on the warranty card.

**Note**

Even though the tests were conducted under standard laboratory conditions, the actual performance may deviate from these tests.



The system was tested and certified on model 9000 077 095 by NSF International with reference to ANSI/NSF Standard 53 for a reduction in cysts and turbidity, as well as with reference to ANSI/NSF Standard 42 for a reduction in the taste and odour of chlorine.

**Nominal particle class: I**

**Nominal service life: 2.800 litres**

**Without appropriate disinfection before and after connecting it to the system, this product should NOT be used if the water is microbiologically contaminated or if the quality has not been ascertained. A system certified for cyst reduction should be used for disinfected water which possibly contains filterable cysts.**

A one-year warranty is issued for the entire system (except disposable cartridge). With reference to disposable cartridges a warranty is issued for material and processing faults only. As the service life of disposable cartridges depends on the local water conditions, no warranty is issued for them.

More detailed information on the prices of spare parts is available from your appliance dealer or parts salesman on site.

Manufactured by:

Cuno Engineered Products  
 1000 Apollo Road  
 Eagan, MN 55121-2240 U.S.A.

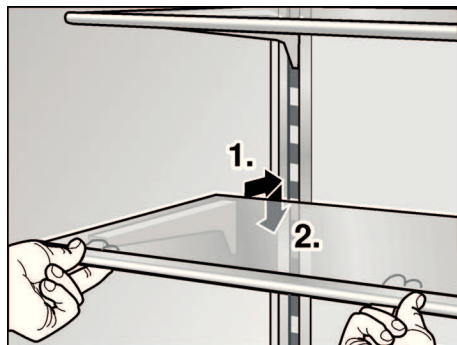
## Interior fittings

### Taking out the shelves

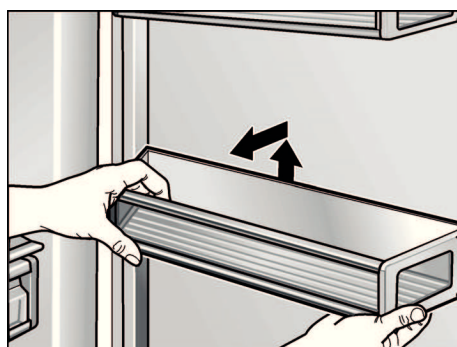
You can reposition the shelves inside the appliance and the door shelves as required.

Lift the shelves and remove.

#### Shelves inside the compartment

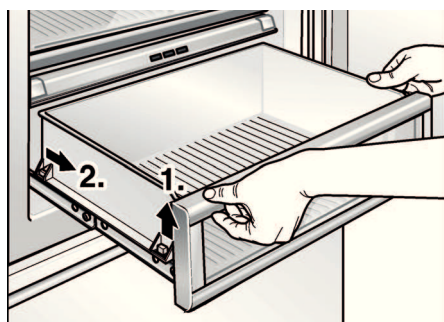


#### Door shelves



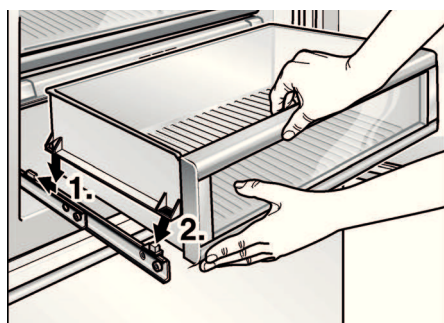
### Containers in the refrigerator compartment

1. Lift container slightly and take out.



2. Lift container at front slightly and insert into the pullouts.

3. Lower container and push back.

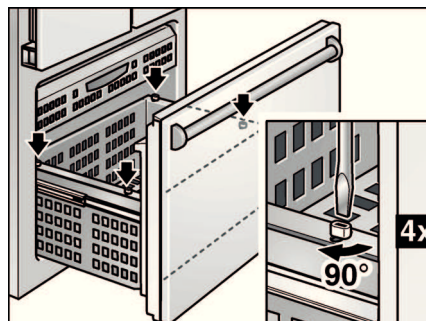


### Containers in the freezer compartment

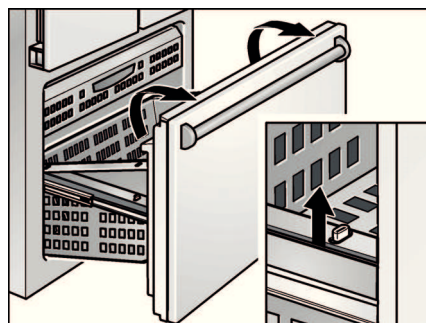
The containers in the freezer compartment can be taken out for cleaning.

The upper container must first be removed before the door container can be taken out.

1. Screw the closures by 90° on the pullout using a screwdriver.



2. Lift container slightly and take out.



3. Lift container at front slightly and insert into the pullouts.

4. Lower container and push back.

5. Screw the closures by 90° on the pullout using a screwdriver.

## Switching off and disconnecting the appliance

### Switching the appliance off

Press the On/Off button.

Pull out the mains plug.

### Disconnecting the appliance

If you do not use the appliance for a prolonged period:

1. Before switching off, it is most important that you switch the water supply to the appliance off for a few hours.
2. Take all food out of the appliance.
3. Switch the appliance off.
4. Pull out mains plug or switch off fuse.
5. Empty and clean the ice cube container (see chapter Cleaning the appliance).
6. Clean the appliance interior (see chapter Cleaning the appliance).
7. Leave the appliance doors open to prevent odours from forming.

## Defrosting

Defrosting is actuated automatically.

## Cleaning the appliance

### Warning

Never clean the appliance with a steam cleaner!

### Caution

- Do not use abrasive, chloride or acidic cleaning agents or solvents.
- Do not use scouring or abrasive sponges. The metallic surfaces could corrode.
- Never clean shelves and containers in the dishwasher. The parts may become deformed!

### Proceed as follows:

1. Before cleaning: Switch the appliance off.
2. Pull out the mains plug or switch off the fuse.
3. Take out the frozen food and store in a cool location. Place the ice pack (if enclosed) on the food.
4. Clean the appliance with a soft cloth, lukewarm water and a little pH neutral washing-up liquid. The rinsing water must not run into the light.
5. Wipe the door seal with clear water only and then wipe dry thoroughly.
6. After cleaning reconnect and switch the appliance back on.
7. Put the frozen food back in the freezer compartment.

## Interior fittings

All variable parts of the appliance can be taken out for cleaning (see chapter Interior fittings).

### Cleaning the ice cube container

If ice cubes have not been dispensed for a prolonged period, they will shrink, have a stale taste and stick together. Therefore, the ice cube container should be cleaned regularly.

### Caution

A full ice cube container is heavy.

1. Remove the ice cube container.
2. Pull out the container, empty and clean with lukewarm water.
3. Thoroughly dry the container to prevent new ice cubes from sticking.
4. Insert the ice cube container.  
Ice cube production continues.

## Odours

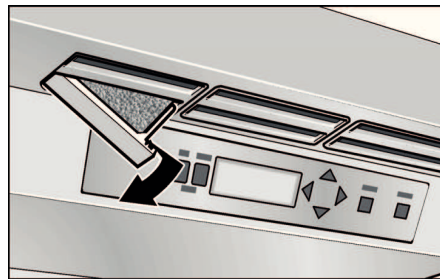
If you experience unpleasant odours:

1. Switch the appliance off.
2. Take all food out of the appliance.
3. Clean the interior. See chapter "Cleaning the appliance".
4. Clean all packages.
5. Seal strong smelling food in order to avoid odours from forming.
6. Switch the appliance on again.
7. Store food in the appliance.
8. Check whether the formation of odours is still occurring after 24 hours.
9. Exchange the odour filter. See chapter "Exchange the odour filter".

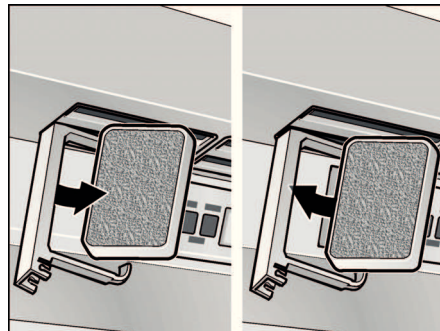
## Exchange the odour filter

Spare filters are available from your dealer.

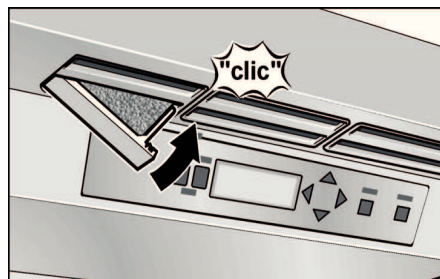
1. Open the filter holder.



2. Remove the used odour filter and replace with a new odour filter.



3. Close the filter holder.



---

## Light (LED)

Your appliance features a maintenance-free LED light. These lights may be repaired by customer service or authorised technicians only.

---

## Tips for saving energy

- Install the appliance in a dry, well ventilated room! The appliance should not be installed in direct sunlight or near a heat source (e.g. radiator, cooker). If required, use an insulating plate.
- Do not block the ventilation openings in the appliance.
- Allow warm food and drinks to cool down before placing in the appliance!
- When thawing frozen products, place them in the refrigerator. Use the coldness of the frozen food to cool food.
- Open the appliance as briefly as possible.
- Ensure that the freezer compartment door is always closed properly.

---

## Operating noises

### Quite normal noises

#### Droning

Motors are running (e.g. refrigerating units, fan).

#### Bubbling, humming or gurgling noises

Refrigerant is flowing through the tubing or water is flowing into the ice maker.

#### Clicking

Motor, switches or solenoid valves are switching on/off.

#### Rumbling

Ready ice cubes from the ice maker are falling into the ice cube container.

## Preventing noises

### The appliance is not level

Please align the appliance with a spirit level. Use the height-adjustable feet or place packing underneath them.

### The appliance is not free-standing

Please move the appliance away from adjacent units or appliances.

### Containers or storage areas wobble or stick

Please check the removable parts and re-insert them correctly if required.

### Bottles or receptacles are touching each other

Move the bottles or receptacles slightly away from each other.

## Eliminating minor faults yourself

Before you call customer service:

Please check whether you can eliminate the fault yourself based on the following information.

Customer service will charge you for advice – even if the appliance is still under guarantee!

### Appliance

Fault	Possible cause	Remedial action
Appliance has no refrigeration capacity. The light does not work. The display does not illuminate.	Appliance has been switched off.	Press the On/Off button.
	Power failure.	Check whether the power is on.
	The fuse has been switched off.	Check the fuse.
	The mains plug has not been inserted properly.	Check whether the mains plug is secure.
The refrigeration unit is switching on more frequently and for longer.	Appliance opened frequently.	Do not open the appliance unnecessarily.
	The ventilation openings have been covered.	Remove obstacles.
	Large quantities of fresh food are placed in the freezer.	Activate “super” cooling and/or “super” freezing.
The temperature in the refrigerator compartment or freezer compartment is too cold.	Temperature has been set too low.	Increase the temperature (see Selecting the temperature).
The light (LED) does not work.	The LED lamp is defective.	Call customer service.
	Light switch is jammed.	Check whether it can be moved.
You experience unpleasant odours.	Strongly smelling food is not sealed.	Clean the appliance. Seal strongly smelling food (see “Odours”)
Display indicates “E..”.	Electronics have detected a fault.	Call customer service.
Display indicates “LOWPOWER”.	The mains voltage falls below the permitted limiting value.	When the mains voltage reaches the stipulated value again, the warning message goes out. If the warning message lasts for longer, inform the energy supply company.
Condensation forms on the rail on the left door.	Condensation of warm air.	Switch on heater in the rail, see chapter Switching the appliance on.

### Ice maker

Fault	Possible cause	Remedial action
The ice maker doesn't work.	Ice maker is not connected to the mains supply.	Call customer service.
	Ice maker does not contain any fresh water.	Ensure that the water is properly connected.
	The freezer compartment temperature is too warm.	Check freezer compartment temperature and, if required, set slightly colder.
The ice maker does not make enough ice or the ice is deformed.	The appliance or ice maker has only just been switched on.	Approx. 24 hours is needed until ice production starts.
	A lot of ice has been taken.	Approx. 24 hours is needed until the ice cube container is filled again.
	Low water pressure.	Connect the appliance to the stipulated water pressure only (see chapter Connecting appliance, section Water connection).
	The water filter is bunged up or used.	Change the water filter.

<b>Fault</b>	<b>Possible cause</b>	<b>Remedial action</b>
The ice maker does not make any ice.	The ice maker is switched off.	Switch the ice maker on at the control panel.
	The appliance is not supplied with water.	Contact the installer or the water supply company.
	Water supply has kinks.	Turn off the water supply at the shut-off tap. Smoothen out the kinks, exchange where necessary.
	Low water pressure.	Connect the appliance to the stipulated water pressure only (see chapter Connecting appliance, section Water connection).
	Temperature in the freezer space is too warm.	Set temperature slightly colder in the freezer compartment.
	Ice cube container is not properly inserted.	Check the position, re-insert where necessary.
	Incorrect shut-off tap installed.	Incorrect taps can cause low water pressure and damage to the appliance.
Ice forms in the inflow hose to the ice maker.	Low water pressure.	Connect the appliance to the stipulated water pressure only (see chapter Connecting appliance, section Water connection).
	Shut off tap incorrectly opened.	Open shut off tap fully.
	Temperature in the freezer space is too warm.	Set temperature slightly colder in the freezer compartment.
Water runs from the appliance.	The water connection hose is not properly sealed.	Replace the hose with a manufacturer's original part.
	Incorrect shut-off tap installed.	Incorrect taps can cause low water pressure and damage to the appliance.
The water pressure is less than usual.	Low water pressure.	Connect the appliance to the stipulated water pressure only (see chapter Connecting appliance, section Water connection).
	Shut off tap incorrectly opened.	Open shut off tap fully and check for leaks. Check the minimum through flow.
	Incorrect shut-off tap installed.	Incorrect taps can cause low water pressure and damage to the appliance.
	Water supply has kinks.	Turn off the water supply at the shut-off tap. Smoothen out the kinks, exchange where necessary.
	The water filter is bunged up or used.	Change the water filter.

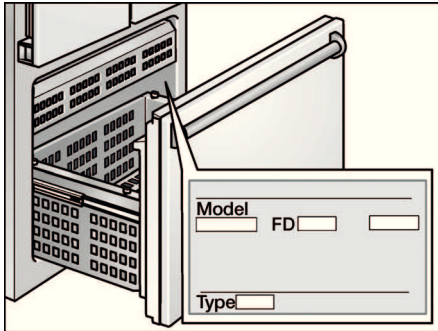
---

## Customer service

Your local customer service can be found in the telephone directory or in the customer-service index. Please provide customer service with the appliance product number (E-Nr.) and production number (FD).

These specifications can be found on the rating plate.

To prevent unnecessary call-outs, please assist customer service by quoting the product and production numbers. This will save you additional costs.



## Repair order and advice on faults

Contact information for all countries can be found on the enclosed customer service list.

GB 0844 8928999 Calls from a BT landline will be charged at up to 3 pence per minute. A call set-up fee of up to 6 pence may apply.

IE 01450 2655

US 866 447 4363 toll-free



Siemens-Electrogeräte GmbH  
Carl-Wery-Straße 34  
81739 München  
Germany



9000732811 en 9201