

SIEMENS



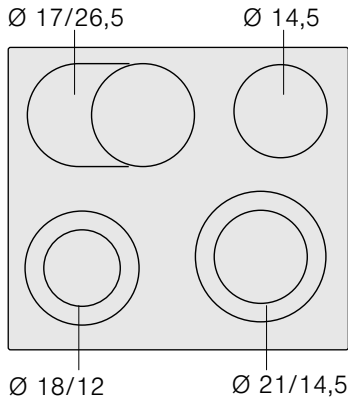
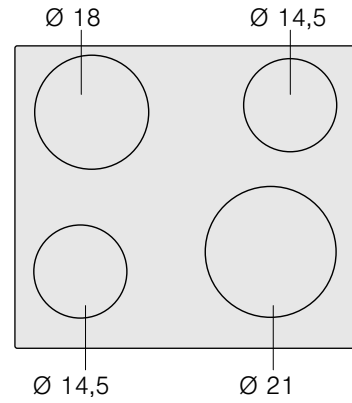
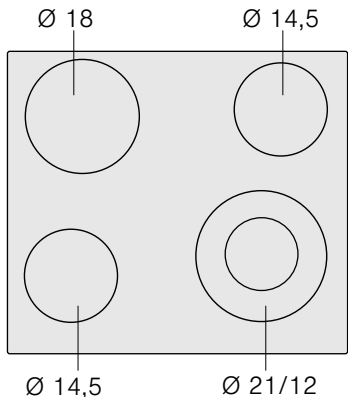
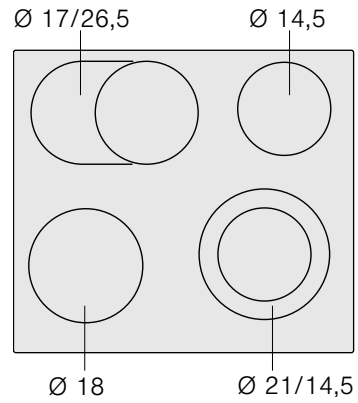
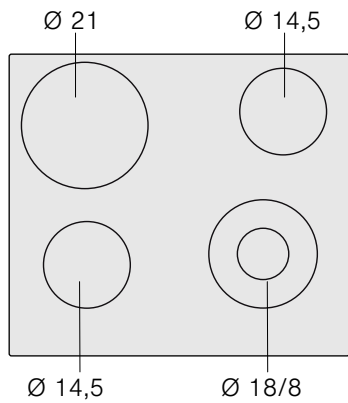
## Hob

EA6..GH17., EA6..GE17., EA6..GF17., EA6..GN17., EA6..GF17G

[siemens-home.bsh-group.com/welcome](https://siemens-home.bsh-group.com/welcome)

[en] Instructions for installation and use

Register  
your  
product  
online

**EA6..GH17.****EA6..GE17.****EA6..GF17.****EA6..GN17.****EA6..GF17G****en Table of contents**

<b>Safety precautions</b> .....	<b>3</b>	<b>Installation instructions</b> .....	<b>6</b>
Causes of damage .....	4	The following must be noted .....	6
<b>Environmental protection</b> .....	<b>4</b>	Preparing the units .....	6
Environmentally-friendly disposal.....	4	Installing the hob.....	7
Energy-saving tips.....	4	Connecting the hob.....	7
<b>Getting to know your appliance</b> .....	<b>4</b>	Removing the appliance.....	7
The hotplates .....	4		
Hotplate and residual heat indicators .....	5		
<b>Setting the hob</b> .....	<b>5</b>		
Switching the hob on and off .....	5		
Setting a hotplate.....	5		
Table of cooking times .....	5		
<b>Cleaning and care</b> .....	<b>6</b>		
Ceramic .....	6		
Hob surround.....	6		
<b>After-sales service</b> .....	<b>6</b>		

Additional information on products, accessories, replacement parts and services can be found at [www.siemens-home.bsh-group.com](http://www.siemens-home.bsh-group.com) and in the online shop [www.siemens-home.bsh-group.com/eshops](http://www.siemens-home.bsh-group.com/eshops)

## Safety precautions

Please read this manual carefully. Please keep the instruction and installation manual as well as the appliance certificate in a safe place for later use or for subsequent owners.

Check the appliance for damage after unpacking it. Do not connect the appliance if it has been damaged in transport.

Only a licensed professional may connect appliances without plugs. Damage caused by incorrect connection is not covered under warranty.

This appliance is intended for private domestic use and the household environment only. The appliance must only be used for the preparation of food and beverages. The cooking process must be supervised. A short cooking process must be supervised without interruption. Only use the appliance in enclosed spaces.

This appliance is intended for use up to a maximum height of 2000 metres above sea level.

This appliance is not intended for operation with an external clock timer or a remote control.

Do not use covers. These can cause accidents, for example due to overheating, catching fire or materials shattering.

Only use safety devices or child protection grilles approved by ourselves. Unsuitable safety devices or child protection grilles may result in accidents.

This appliance may be used by children over the age of 8 years old and by persons with reduced physical, sensory or mental capabilities or by persons with a lack of experience or knowledge if they are supervised or are instructed by a person responsible for their safety how to use the appliance safely and have understood the associated hazards.

Children must not play with, on, or around the appliance. Children must not clean the appliance or carry out general maintenance unless they are at least 15 years old and are being supervised.

Keep children below the age of 8 years old at a safe distance from the appliance and power cable.

### **Risk of fire!**

- Hot oil and fat can ignite very quickly. Never leave hot fat or oil unattended. Never use water to put out burning oil or fat. Switch off the hotplate. Extinguish flames carefully using a lid, fire blanket or something similar.
- The hotplates become very hot. Never place combustible items on the hob. Never place objects on the hob.
- The appliance gets hot. Do not keep combustible objects or aerosol cans in drawers directly underneath the hob.

### **Risk of burns!**

The hotplates and surrounding area (particularly the hob surround, if fitted) become very hot. Never touch the hot surfaces. Keep children at a safe distance.

### **Risk of electric shock!**

- Incorrect repairs are dangerous. Repairs may only be carried out and damaged power cables replaced by one of our trained after-sales technicians. If the appliance is defective, unplug the appliance from the mains or switch off the circuit breaker in the fuse box. Contact the after-sales service.
- Do not use any high-pressure cleaners or steam cleaners, which can result in an electric shock.
- A defective appliance may cause electric shock. Never switch on a defective appliance. Unplug the appliance from the mains or switch off the circuit breaker in the fuse box. Contact the after-sales service.
- Cracks or fractures in the glass ceramic may cause electric shocks. Switch off the circuit breaker in the fuse box. Contact the after-sales service.

### **Risk of injury!**

Saucepans may suddenly jump due to liquid between the pan base and the hotplate. Always keep the hotplate and saucepan bases dry.



## Causes of damage

### Caution!

- Rough pot and pan bases scratch the ceramic.
- Avoid boiling pots dry. This may cause damage.
- Never place hot pots or pans on the control panel, the display area or the surround. This may cause damage.

- Damage can occur if hard or pointed objects fall on the hob.
- Aluminium foil and plastic containers melt on hot hotplates. Oven protective foil is not suitable for your hob.

### Overview

The following table provides an overview of the most frequent kinds of damage:

Damage	Cause	Action
Stains	Food spills	Remove spills immediately with a glass scraper.
	Unsuitable cleaning agents	Only use cleaning agents which are suitable for ceramic
Scratches	Salt, sugar and sand	Do not use the hob as a work surface or storage space.
	Rough pot and pan bases scratch the ceramic.	Check your cookware.
Discolouration	Unsuitable cleaning agents	Only use cleaning agents which are suitable for ceramic
	Pan abrasion (e.g. aluminium)	Lift the pots and pans when moving them.
Blisters	Sugar, food with a high sugar content	Remove spills immediately with a glass scraper.

## Environmental protection

### Environmentally-friendly disposal

Dispose of packaging in an environmentally-friendly manner.



This appliance is labelled in accordance with European Directive 2012/19/EU concerning used electrical and electronic appliances (waste electrical and electronic equipment - WEEE). The guideline determines the framework for the return and recycling of used appliances as applicable throughout the EU.

### Energy-saving tips

- Always place suitable lids on saucepans. When cooking without a lid, considerably more energy is required. A glass lid means that you can see inside without having to lift the lid.
- Use pots and pans with even bases. Uneven bases increase energy consumption.

- The diameter of pot and pan bases should be the same size as the hotplate. In particular, small saucepans on the hotplate cause energy losses. Please note: cookware manufacturers often indicate the upper diameter of the saucepan. This is usually bigger than the diameter of the base of the pan.
- Use a small saucepan for small quantities. A larger, less full saucepan requires a lot of energy.
- Cook with only a little water. This will save energy. Vitamins and minerals in vegetables are preserved.
- Always cover as large an area of the hotplate as possible with your saucepan.
- Switch to a lower heat setting in good time.
- Select a suitable ongoing cooking setting. You will waste energy by using an ongoing cooking setting which is too high.
- Use the residual heat of the hob. For longer cooking times, you can switch the hotplate off 5-10 minutes before the end of the cooking time.

## Getting to know your appliance

The instruction manual is the same for various different hobs. An overview of the models with their dimensions is given on page 2.

### The hotplates

Hotplate	Activating and deactivating
○ Single-circuit hotplate	
⊙ Dual-circuit hotplate	To activate: turn the hotplate control clockwise to ⊙. Set the heat setting. To deactivate: turn the hotplate control to 0 and reset. Never turn the hotplate control beyond the ⊙ symbol to 0.

Hotplate	Activating and deactivating
∞ Extended cooking zone	To activate: Turn the hotplate control clockwise to ∞. Set the heat setting. To deactivate: turn the hotplate control to 0 and reset. Never turn the hotplate control beyond the ∞ symbol to 0.

## Hotplate and residual heat indicators

The hotplate and residual heat indicators light up when a hotplate is warm:

- Hotplate indicator - during operation, shortly after you have switched on a hotplate.

- Residual heat indicator - after cooking, when the hotplate is still warm.

You can use the residual heat to save energy, e.g. to keep a small dish warm or to melt chocolate.

## Setting the hob

This section informs you how to set the hotplates. The table shows heat settings and cooking times for various meals.

### Switching the hob on and off

You can switch the hob on and off with the hotplate controls.

### Setting a hotplate

Adjust the heat setting of the hotplates using the hotplate controls.

Heat setting 1 = lowest setting

Heat setting 9 = highest setting

**Note:** Hotplate temperature is regulated by the heat switching on and off. The heat may also switch on and off at the highest setting.

This ensures e.g.:

- sensitive components are protected from overheating
- the appliance is protected from electrical overload
- better cooking results are achieved

### Table of cooking times

The following table provides some examples.

Cooking times and heat settings may vary depending on the type of food, its weight and quality. Deviations are therefore possible.

For bringing liquids to the boil, use heat setting 9.

Stir thick liquids occasionally.

	Ongoing cooking setting	Ongoing cooking time in minutes
<b>Melting</b>		
Butter, gelatine	1	-
<b>Heating and keeping warm</b>		
Stew (e.g. lentil stew)	1	-
Milk**	1-2	-
<b>Poaching, simmering</b>		
Dumplings	3-4*	20-30 min
Fish	3*	10-15 min
White sauces, e.g. béchamel sauce	1	3-6 min
<b>Boiling, steaming, braising</b>		
Rice (with double the quantity of water)	3	15-30 min
Unpeeled boiled potatoes	3-4	25-30 min
Boiled potatoes	3-4	15-25 min
Pasta, noodles	5*	6-10 min
Stew, soups	3-4	15-60 min
Vegetables and frozen vegetables	3-4	10-20 min
Cooking in a pressure cooker	3-4	-
<b>Braising</b>		
Roulades	3-4	50-60 min
Pot roasts	3-4	60-100 min
Goulash	3-4	50-60 min
<b>Frying**</b>		
Escalope, plain or breaded	6-7	6-10 min
Chop, plain or breaded	6-7	8-12 min
Steak (3 cm thick)	7-8	8-12 min
Fish and fish fillet, plain or breaded	4-5	8-20 min
Fish and fish fillet, breaded and frozen, e.g. fish fingers	6-7	8-12 min
Stir fry, frozen	6-7	6-10 min
Pancakes	5-6	consecutively

\* Ongoing cooking without lid

\*\* Without lid

# Cleaning and care

The information in this section provides help on how best to care for your hob.

Suitable maintenance and cleaning products can be purchased from the after-sales service or in our e-Shop.

## Ceramic

Clean the hob after each use. This will prevent spills from burning onto the ceramic.

Only clean the hob when it has cooled down sufficiently.

Use only cleaning agents which are suitable for glass ceramic. Follow the cleaning instructions on the packaging.

Never use:

- Undiluted washing-up liquid
- Detergent intended for dishwashers
- Scouring agents
- Harsh cleaning agents such as oven spray or stain remover

- Abrasive sponges
- High-pressure cleaners or steam jet cleaners

Ground-in dirt can be best removed with a glass scraper, available from retailers. Please note the manufacturer's instructions.

You can also obtain a suitable glass scraper from our after-sales service or from the e-Shop.

Using special sponges to clean glass ceramic achieves great cleaning results.

## Hob surround

To prevent damage to the hob surround, observe the following instructions:

- Use only hot soapy water.
- Wash new sponge cloths thoroughly before use.
- Do not use any sharp or abrasive agents.
- Do not use the glass scraper.

# After-sales service

Our after-sales service is there for you if your appliance should need to be repaired. We are committed to find the best solution also in order to avoid an unnecessary call-out.

## E number and FD number:

Please quote the E number (product number) and the FD number (production number) of your appliance when contacting the after-sales service. The rating plate bearing these numbers can be found on the appliance certificate.

Please note that a visit from an after-sales service engineer is not free of charge, even during the warranty period.

Please find the contact data of all countries in the enclosed customer service list.

## To book an engineer visit and product advice

**GB** 0344 892 8999

Calls charged at local or mobile rate.

**IE** 01450 2655

0.03 € per minute at peak. Off peak 0.0088 € per minute.

Rely on the professionalism of the manufacturer. You can therefore be sure that the repair is carried out by trained service technicians who carry original spare parts for your appliances.

# Installation instructions

## The following must be noted

**Electrical connection:** To be carried out only by a licensed expert. Incorrect connection will invalidate the warranty.

**Installation:** To be carried out only by a professional. The fitter is liable for any damage.

**Hob and cooker:** must be the same brand, and have the same combination feature.

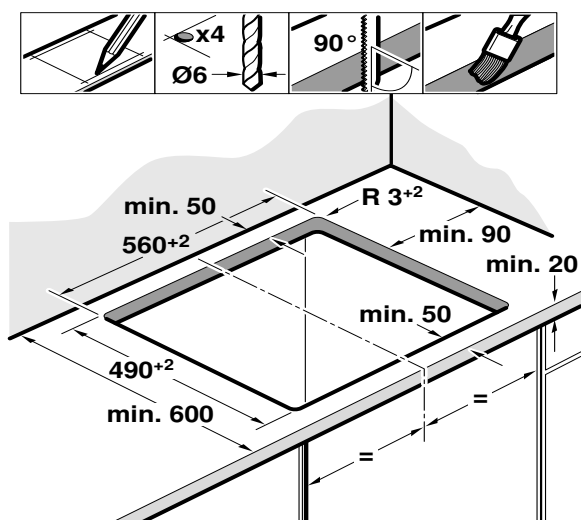
**Contact protection:** must be ensured by the installation.

**Installation instructions:** cooker installation instructions must be observed.

**Work surface:** Level, horizontal, stable.

## Preparing the units

After making the cut-outs, remove any shavings.

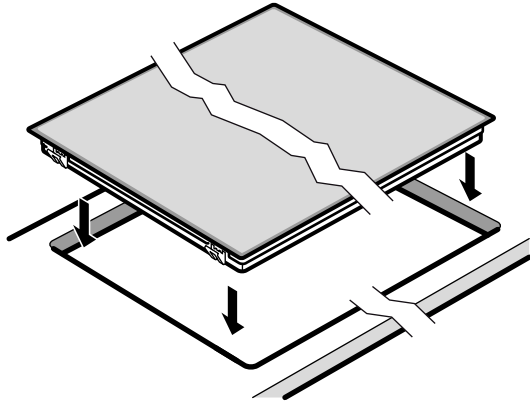


**Fitting unit:** Heat resistant to at least 90 °C.

**Cut surfaces:** Seal with heat-resistant material.

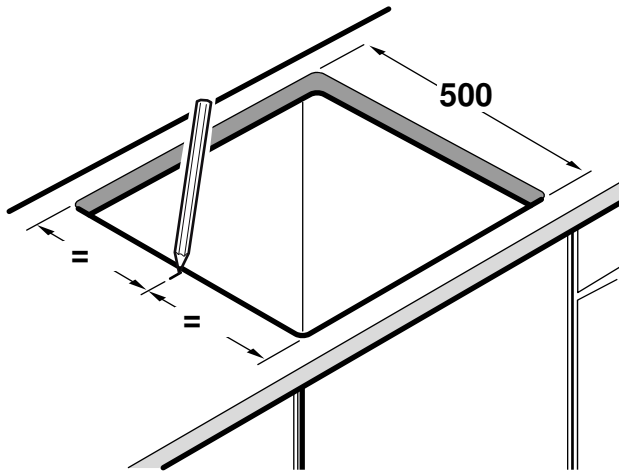
## Installing the hob

Do not trap cables during installation.



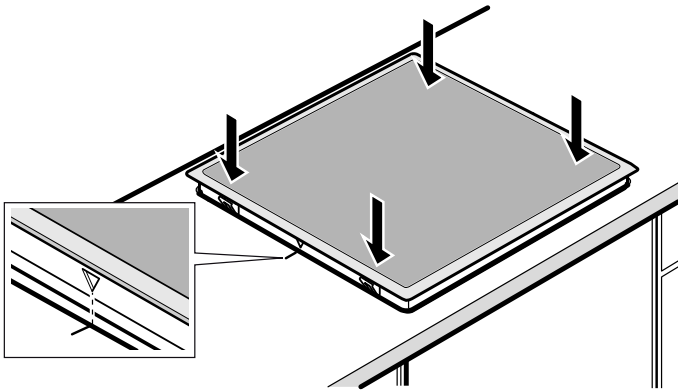
### Worktop cut-out, 500 mm deep:

1. Mark the centre of the cut-out



2. Put the hob in place

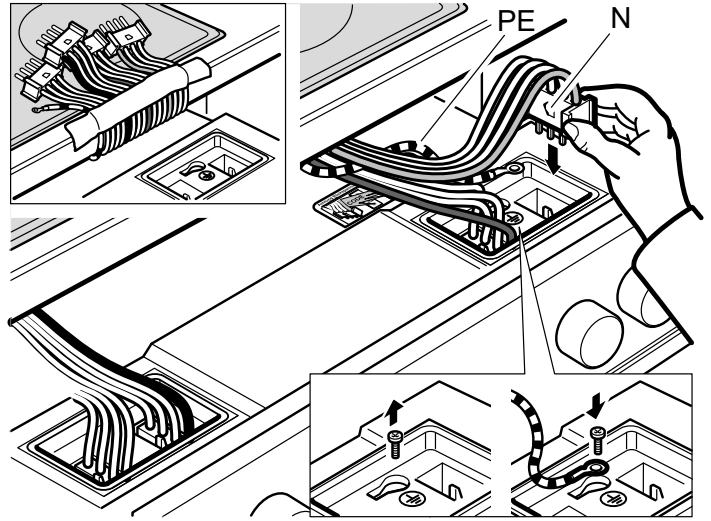
3. Align the hob surround markings and cut-out



4. Press in the hob.

## Connecting the hob

The cooker must be connected to the mains, but switched off.



1. Insert the **cooker** until the socket is accessible.

2. Screw the **PE conductor (green/yellow)** for the hob to the earthing point  $\oplus$  of the cooker.

3. Plug in the **hotplate connector** on the cooker. The colour of the front cable should match the colour coding on the label. The lug **N** on the connector must point to the left.

Slide the cooker in. Do not trap the cable while doing so.

**Note:** Seal the tile joints on tiled work surfaces with silicone rubber.

## Removing the appliance

Disconnect the appliance from the power supply. Pull out the cooker a short distance. Pull out the hob connector. Finally remove the earthing conductor. Push out the hob from below.

BSH Hausgeräte GmbH  
Carl-Wery-Straße 34, 81739 München  
GERMANY

[siemens-home.bsh-group.com](https://siemens-home.bsh-group.com)

Manufactured by BSH Hausgeräte GmbH under Trademark License of Siemens AG



9000715096 990226