

USE AND CARE GUIDE



DISHWASHERS

Models:

DWHD630IFM

DWHD630IFP

DWHD630IPR

Thermador ★
REAL INNOVATIONS FOR REAL COOKS

USE AND CARE GUIDE

DISHWASHERS

Models:

DWHD630IFM

DWHD630IFP

DWHD630IPR

Congratulations and thank you!

Thank you for selecting a Thermador® dishwasher. You have joined the many consumers who demand superior performance developed from innovation and careful engineering.

This manual was written with your safety and convenience in mind, and the information contained herein is very important. We highly recommend that you read this manual before you use your dishwasher for the first time.

We have no doubt that you will be pleased with your purchase, and benefit from the extra effort we've invested. Should you have any questions or require assistance please contact our customer service department at:

www.thermador.com (USA)

or

www.thermador.ca (Canada)

If you have any questions or comments, please contact us at: 1-800-735-4328

Table of Contents

Important Safety Instructions.....	2-3
Dishwasher Components.....	3-4
Dishwasher Features and Materials.....	5
Loading the Dishwasher.....	6
Loading the Silverware Basket.....	7
Rack Accessories.....	8
Adding Detergent and Rinse Aid.....	9-10
Dishwasher Cycles and Options.....	10
Wash Cycle Information.....	11
Operating the Dishwasher.....	11-12
Care and Maintenance.....	12-13
Self Help.....	13-15
Customer Service.....	15
Warranty Information.....	16

IMPORTANT SAFETY INSTRUCTIONS: Please READ and SAVE this information

WARNING

Misuse of the dishwasher can result in serious injury or death. Do not use the dishwasher in any way not covered in this manual or for any purpose other than those explained in the following pages.

Severe product damage and/or injury could result from the use of unqualified service technicians or non-original replacement parts. All repairs must be performed by an authorized service technician using only original equipment factory replacement parts.

Electrical shock or fire could result if the electrical supply for the dishwasher covered in this manual is incorrectly installed or if the dishwasher has been improperly grounded. Do not use the dishwasher covered in this manual unless you are certain the electrical supply has been correctly installed or the dishwasher has been properly grounded.

Never use harsh chemicals to clean your dishwasher. Some chloride-containing products can damage your dishwasher and may present health hazards!

Only sanitizing cycles have been designed to meet the requirements of 6 for soil removal and sanitation efficacy. There is no intention, either directly or indirectly, that all cycles on a certified machine have passed the sanitization performance test.

NOTICE

Never use steam cleaning products to clean your dishwasher. The manufacturer will not be liable for the possible damages or consequences.

It is highly recommended for the end user to become familiar with the procedure to shut off the incoming water supply and the procedure to shut off the incoming power supply. See the Installation Instructions or contact your installer for more information.

NSF/ANSI 184 Certified residential dishwashers are not intended for licensed food establishments.

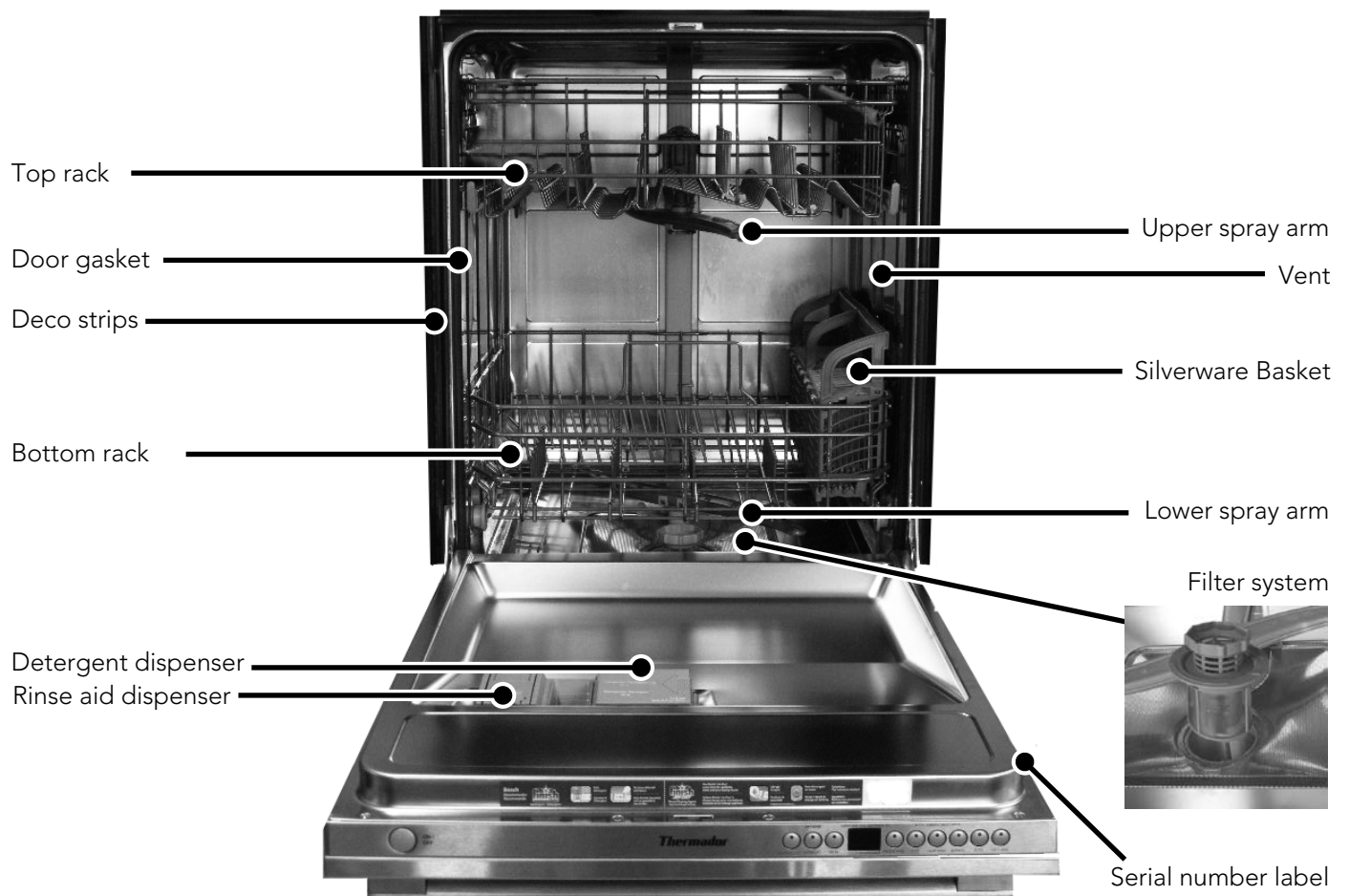


WARNING: To reduce the risk of fire, electrical shock, or serious injury, observe the following:

- 1 This dishwasher is provided with Installation Instructions and this Use and Care Manual. Read and understand all instructions before using the dishwasher.
- 2 This appliance must be grounded to a metal, permanent wiring system, or an equipment grounding conductor must be run with the circuit conductors and connected to the equipment grounding terminal or lead on the dishwasher. See the Installation Instructions included with this dishwasher for more information on electrical requirements.
- 3 Use this dishwasher only for its intended function, which is the washing of household dishware and kitchenware.
- 4 Use only detergents or rinsing agents recommended for use in a dishwasher, and keep them out of the reach of children.
- 5 When loading items to be washed:
 - Locate sharp items so they are not likely to damage the door seal.
 - Load knives and other sharp utensils with their HANDLES UP to reduce the risk of cut-type injuries.
 - Do not wash plastic items unless they are marked "dishwasher safe" or the equivalent. For plastic items not so marked, check the manufacturer's recommendations.
 - Do not operate your dishwasher unless all enclosure panels are in place.
 - Do not tamper with or override controls and interlocks.

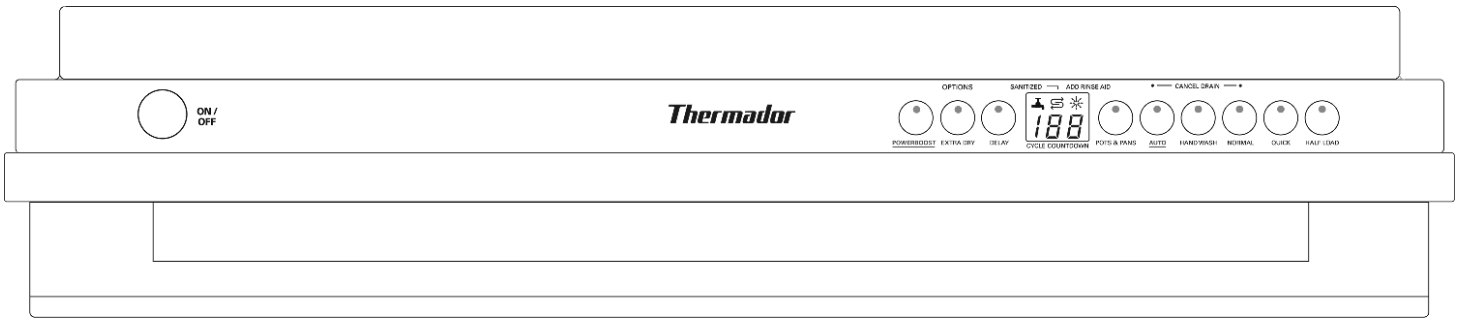
- 6 Do not abuse, sit or stand on the door or dish racks of the dishwasher.
- 7 To reduce risk of injury, do not allow children to play in or on the dishwasher.
- 8 When children become old enough to operate the appliance, it is the legal responsibility of the parents/legal guardians to ensure the children are instructed in safe practices by qualified persons.
- 9 Under certain conditions, hydrogen gas may be produced in a hot water system that has not been used for two weeks or more. Hydrogen gas is explosive. Before using a dishwasher that is connected to a hot water system that has been unused for two weeks or longer, turn on all hot water faucets and let the water flow from each for several minutes. This will release any accumulated hydrogen gas. As the gas is explosive, do not smoke or use an open flame during this time.
- 10 Remove the dishwasher door to the washing compartment when removing an old dishwasher for service or discarding.
- 11 To avoid floor damage and possible mold growth, do not allow wet areas to remain around or under the dishwasher.
- 12 Protect your dishwasher from the elements. Protect against freezing to avoid possible damage to the fill valve. Damage caused by freezing is not covered by the warranty.
- 13 For a cord-connect appliance:
 - This appliance must be grounded. In the event of a malfunction or breakdown, grounding will reduce the risk of electric shock by providing a path of least resistance for electric current. This appliance is equipped with a cord having an equipment-grounding conductor and a grounding plug. The plug must be plugged into an appropriate outlet that is installed and grounded in accordance with all local codes and ordinances.
 - Improper connection of the equipment-grounding conductor can result in risk of electric shock. Check with a qualified electrician or service representative if you are in doubt whether the appliance is properly grounded. Do not modify the plug provided with the appliance, if it will not fit the outlet, have a proper outlet installed by a qualified electrician.

Dishwasher Components

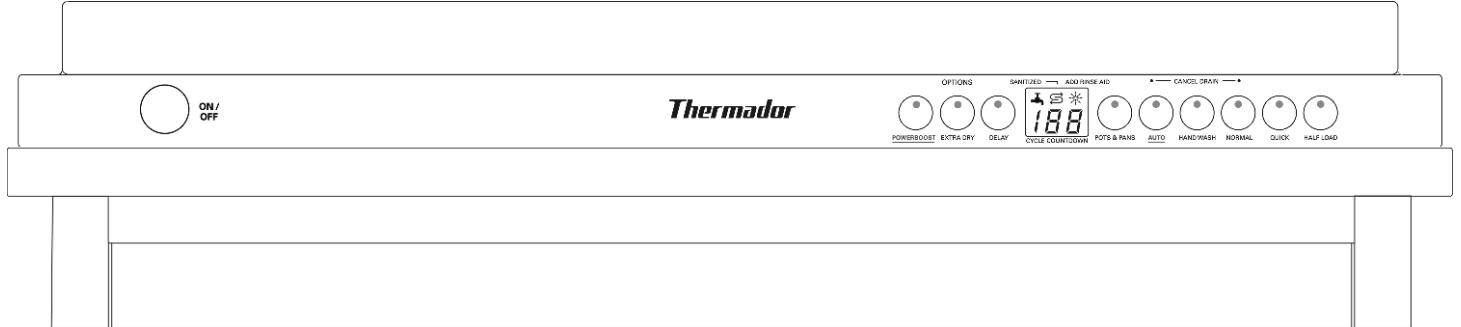


Thermador Cust. Service (SERVICE CLIENTÈLE) : 1-800-735-4328		ENERGY VERIFIED BY Énergétique Véritable par		 LISTED (LISTÉ) 76XB	 Residential (RÉSIDENTIEL)
MODEL NUMBER (NUMÉRO DE MODÈLE) DWHDXXXXXX/XX		~ 120 V 12.0 A 60 Hz (M) 0.2 kW ~UL~ 1.2 kW			
FD89051200003		Made in the USA of US and imported parts (Fabriqué aux É.-U. de pièces É.-U. et importées)		DISHWASHER (LAVE- VAISSELLE) E103022	
S9B5B 109050087595000030		 9902358			

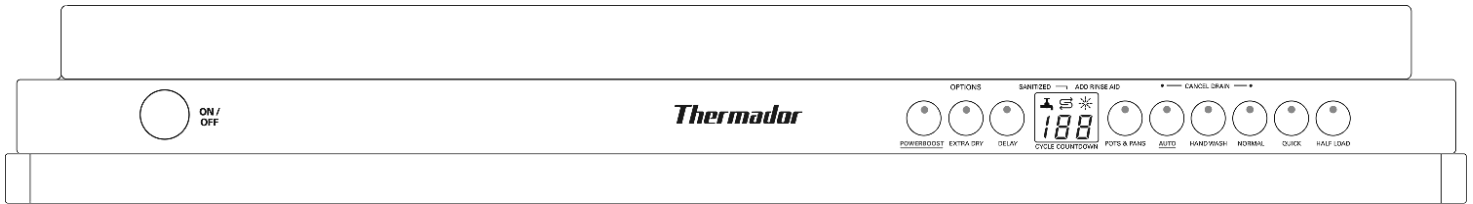
DWHD630IFM



DWHD630IFP



DWHD630IPR



Wash Cycles							Additional Features						
Model	Pots & Pans	Auto	Hand Wash	Normal	Quick	Half Load	Adjustable Top Rack	Bottle Holder	Delay Start	Extra Tall Item Sprinkler	Flip Tines	PowerBeam®	Silverware Basket
DWHD630IFM	X	X	X	X	X	X	X	X	X	X	X	X	2-piece
DWHD630IFP	X	X	X	X	X	X	X	X	X	X	X	X	2-piece
DWHD630IPR	X	X	X	X	X	X	X	X	X	X	X	X	2-piece

Dishwasher Features

Adjustable Top Rack: The top rack can be raised or lowered to accommodate tall items in the top and bottom racks.

Delay Start: Delay the start time of your dishwasher up to 19 hours using the delay start option.

Flip Tines: Increase the rack flexibility to accommodate larger/taller items.

Flow-Through Heater™: Quickly and efficiently heats water to a sanitizing temperature.

Noise Reduction System: Uses Suspension Motor™, a two-pump motor system, and insulation to make this dishwasher one of the quietest in North America.

Nylon Coated Racks: Eliminates cuts and nicks and have a five year warranty.

PowerBeam®: A blue LED illuminates the floor to indicate that the dishwasher is running.

HygieneDry®: A high temperature final rinse, a low temperature stainless steel tub and the sheeting action of a rinse aid result in drying that is hygienic, energy efficient and economical.

Sens-a-Wash® Wash Management System: Automatically checks water condition and decides if a second fresh water fill is necessary.

Stainless Steel TallTub: A rust-free, hygienic interior surface with lifetime warranty.

Triple Filtration System: Uses multiple filters to ensure distribution of clean water and protect the main pump and the drain pump from foreign material.

Dishware Materials

Note: Before using your dishwasher for the first time, check the information in this section. Some items are not dishwasher safe and should be hand washed; others require special loading.

Recommended

Aluminum: Colored anodized aluminum may fade over time. Minerals in your water may cause the aluminum to darken or spot. This can usually be removed with a soap-filled steel wool pad.

China, Crystal, Stoneware: Some hand-painted utensils may discolor, fade or spot. Hand wash these utensils. Position fragile glassware so that it will not fall over or come in contact with other utensils during the wash cycle.

Glass: Milk glasses may discolor or become yellow.

Non-stick Coatings: Apply a light coating of vegetable oil to non-stick surfaces after drying.

Plastics: Make sure the plasticware is dishwasher safe.

Stainless Steel, Sterling Silver and Silver Plates: Load these so they do not come in contact with other metals.

Not Recommended

Acrylic: Cracking or small cracks throughout the acrylic, may occur.

Adhesive-Joined Pieces: Adhesives that join materials such as plastic, wood, bone, steel, copper, tin, etc. may loosen.

Bone-Handled Utensils: Handles may separate.

Iron: Iron will rust. Hand wash and dry immediately.

Non-Dishware Items: Your dishwasher is intended for use in cleaning ONLY standard household dishware and kitchenware.

Pewter, Brass, Bronze: These items will tarnish. Hand wash and dry immediately.

Tin: Tin will stain. Hand wash and dry immediately.

Wood: Wooden bowls, wooden utensils and utensils with wooden handles can crack, warp and lose their finish.

Loading the Dishwasher

Do not pre-wash items with loosely attached soiling. Remove all food particles, bones, toothpicks and excessive grease. Items having burned-on, baked-on or starchy soils may require some pretreatment. Refer to the Dishware Materials section on page 5 for more information about dishware suitability.

Load only dishwasher safe items into the dishwasher. Load dishes in the dishwasher racks so the insides of bowls, pots and pans are facing the spray arms. Avoid nesting and contact points between dishes. Separate items of dissimilar metals.

Loading the Top Rack

Ensure items do not protrude through the bottom of the racks and block the spray arms.

Note: When pushing the top rack into the dishwasher, push it until it stops against the back of the tub so the top rack spray arm connects to the water supply at the back of the tub. Do not push racks in using the door.

Loading the Bottom Rack

Place large items in the bottom rack. Load pots, pans and bowls upside down. Do not block vent with tall baking sheets. Load these items on the left side of the dishwasher.

Unloading the Dishwasher

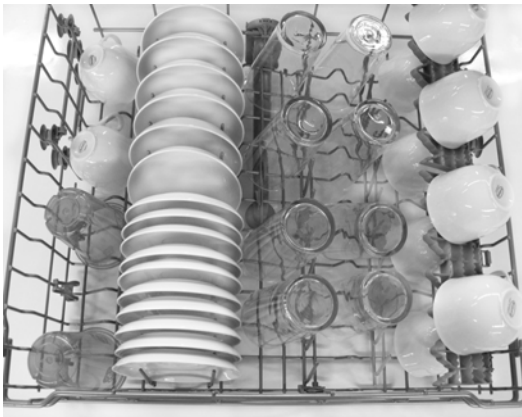
When unloading the dishwasher it is best to unload the bottom rack first. Next, unload the silverware basket followed by the top rack.

NOTICE

To avoid dishwasher damage, do not load the dishwasher with paper products, plastic bags, packing materials or anything other than normal, dishwasher safe dishware and kitchenware.

Suggested Loading Pattern - Duo-Flex Silverware Basket

Top Rack



Bottom Rack



Additional Loading Pattern - Duo-Flex Silverware Basket

Top Rack



Bottom Rack



Loading the Silverware Basket

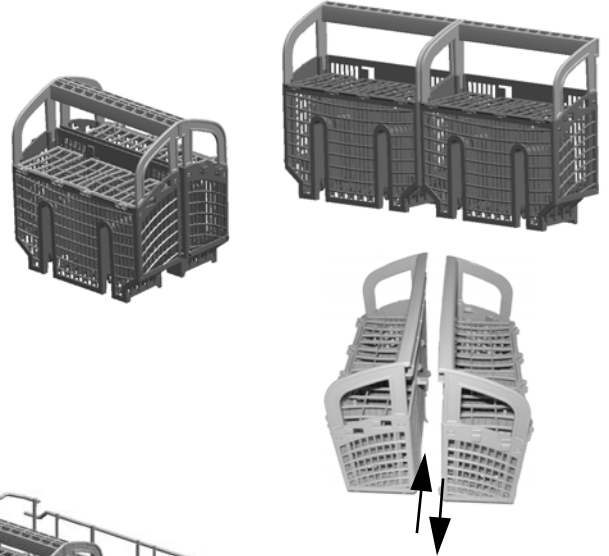
Place knives and sharp utensils with their HANDLES UP and forks and spoons with their handles down. If large or oddly-shaped items are loaded in the silverware basket, be sure they do not nest together.

⚠ WARNING

The sharp points and edges of knives and other sharp utensils can cause serious injury. Load knives and other sharp utensils with edges down. Do not allow children to handle or play near knives and sharp utensils.

The 2-piece Silverware Basket

This basket splits along its length, resulting in two halves that may be placed in a variety of positions in the lower rack, greatly increasing the lower rack's loading versatility. The basket snaps together either back to back or end to end as shown below.



To split the 2-piece Silverware Basket

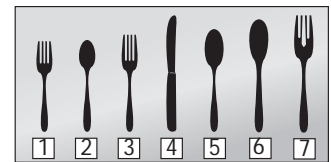
Grasp the basket and slide the two halves in opposite directions as shown at right and then pull the two halves apart.

2-piece Basket Placement Options



Loading pattern for 2-piece Silverware Basket

1	7	4	4	3	3	3	4	4	6	1	1	7	4	4	3	3	3	4	4	6	1
1	2	2	4	3		3	4	2	2	1	1	2	2	4	3		3	4	2	2	1
1	2	2	2	2	3	2	2	2	2	1	1	2	2	2	2	3	2	2	2	2	1



- 1- salad fork
- 2- teaspoon
- 3- dinner fork
- 4- knife
- 5- tablespoon
- 6- serving spoon
- 7- serving fork

The basket lid may also be snapped to the handle in order to leave the basket open.

Rack Accessories

Adjustable Top Rack

The top rack can be raised or lowered to accommodate large items in either rack. Ensure the rack is empty before moving (raising or lowering a loaded rack can lead to damaged dishes and possible injury from broken glass). See **Figure 1**.

Note: Before pushing the top rack into the dishwasher, ensure the rack height is the same on both sides. If the height is not the same on both sides, the dishwasher door will not shut and the top rack spray arm will not connect to the water inlet.

To lower the top rack:

- 1 Pull the empty top rack out of the dishwasher until it stops.
- 2 Press the adjustable top rack handles inward and let the rack drop gently.

To raise the top rack:

- 1 Pull the empty top rack out of the dishwasher until it stops.
- 2 Grasp the top of the rack above the handles and pull it upward until the handles lock the rack into position (you do not need to press the handles in order to raise the rack).

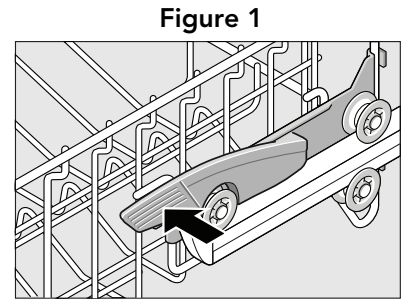


Figure 1

Bottle Holder

Allows you to securely hold tall bottles or vases in the bottom rack. This part is removable for maximum flexibility. Always check to make sure the upper spray arm does not contact any tall item places in the lower rack.

To remove the bottle holder, pull both sides of the bottle holder apart until it is disengaged from the rack. To move it to another position, remove as described above and hold the sides apart. Hook both ends of the holder to the rack in another location. See **Figure 2**.



Figure 2

Extra Tall Item Sprinkler

If an item is too tall to be placed in the bottom rack even with the top rack in the raised position, remove the empty top rack by pulling it out of the dishwasher until it stops. Pull the front of the rack upward and outward until the rollers are completely free of the roller guides.

Set the top rack aside. Push the roller guides back into the dishwasher. Insert the Extra Tall Item Sprinkler into the top rack spray outlet and turn the sprinkler clockwise to lock into position. See **Figure 3**.

Note: Keep the vent on the tub's right side clear by placing tall items such as plastic cutting boards and tall baking sheets on the bottom rack's left side or center.

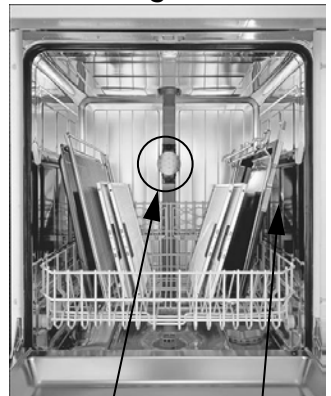


Figure 3

NOTICE

To avoid dishwasher damage, do not reinstall the top rack without removing the Extra Tall Item Sprinkler.



Do not block vent

Figure 4

Flip Tines

The racks consist of tines that can be folded down depending on what you may need to load in the rack. To fold down, grasp the folding tine and release from notch. Push folding tine downward to desired position as shown in **Figure 4**.



Adding Detergent and Rinse Aid

Detergent

Use only detergent specifically designed for dishwashers. For best results, use powdered detergent or detergent tabs.

NOTICE

To avoid dishwasher damage, do not use hand dishwashing products in your dishwasher.

To avoid dishwasher damage, do not use too much detergent if your water is soft. Using too much detergent with soft water may cause etching in glassware.

This dishwasher uses less water than most, therefore, less detergent is required. With soft water, 1 tablespoon (15ml) of detergent will clean most loads. The detergent dispenser cup has lines that measure detergent to 1 tablespoon (15ml) and 1.75 tablespoons (25ml). 3 tablespoons (45ml) of detergent will completely fill the detergent dispenser.

Note: If you do not know the hardness of your water supply, use 15ml of detergent. Increase the amount if necessary to the least amount required to get your kitchenware clean.

Use the measuring lines in the detergent dispenser cup as a guide to measure the amount of detergent recommended in **Table 1**.

Adding Detergent

- 1 tablespoon (15ml) will clean most loads (see **Figure 5**).
- Do not use more than 3 tablespoons (45ml).
- Do not over fill the detergent dispenser.
- When using detergent tabs, lay them flat to avoid contact with the cover.

To Close

- Place finger as shown in **Figure 6**.
- Slide cover fully left.
- Push rear end of cover down firmly until it clicks.

To Open

- To open the cover, push the blue button inward (not down) as shown in **Figure 7**.
- Cover will slide open.

Table 1 - Recommended Detergent Amount

Wash Cycle	Hard Water/ Heavy Soil	Medium Water/ Medium Soil	Soft Water/ Little Soil/ with Half Load Option
Pots & Pans	45ml (3tbsp)	45ml (3tbsp)	25-45ml (1.75-3tbsp)
Auto	25-45ml (1.75-3tbsp)	25ml (1.75tbsp)	15-25ml (1-1.75tbsp)
Normal	25-45ml (1.75-3tbsp)	25ml (1.75tbsp)	15-25ml (1-1.75tbsp)
Hand Wash	25ml (1.75tbsp)	15-25ml (1-1.75tbsp)	15ml (1tbsp)
Quick	25ml (1.75tbsp)	15-25ml (1-1.75tbsp)	15ml (1tbsp)
Half Load	25ml (1.75tbsp)	15-25ml (1-1.75tbsp)	15ml (1tbsp)

Figure 5

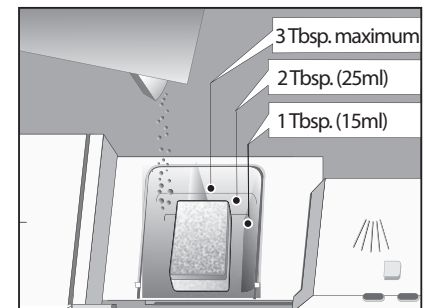


Figure 6

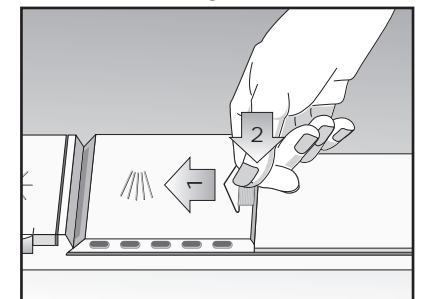
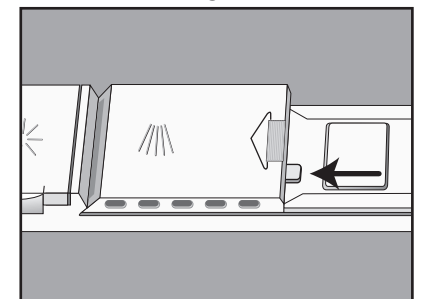



Figure 7



Rinse Aid

To achieve proper drying, always use a liquid rinse aid, even if your detergent contains a rinse aid or drying additive.

Note: The dishwasher indicates low rinse aid by turning on the Rinse Aid indicator symbol on the top display.  If this light is on, you need to refill the rinse aid dispenser by following the directions below.

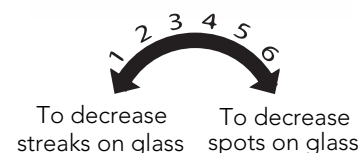
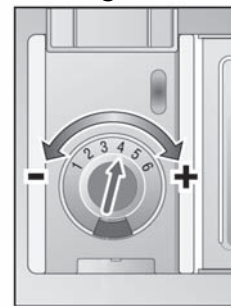
Adding Rinse Aid

Open the rinse aid reservoir and add liquid rinse aid to the dispenser by pouring over the arrow.

Turn the arrow to adjust the amount of rinse aid dispensed (see **Figure 8**). Wipe up any excess rinse aid that may puddle when the dispenser reservoir is full.

The indicator light will go out a few moments after the dishwasher door is shut.

Figure 8



Dishwasher Cycles and Options

Wash Cycles

Pots & Pans*: Best for cleaning items with baked-on food or grease. These dishes would normally require soaking.

Auto: With our most complex soil sensing capability, this cycle is perfect for use with mixed loads of dishware and varying amounts of food soil. This is the most flexible cycle and is a good choice for everyday use.


Hand Wash: Excellent cycle for delicate or lightly soiled dishes. Delivers superior cleaning results and water efficiency. Always make sure that the items are dishwasher safe. Refer to the Dishware Materials section of this manual for further information. Hand washing may be the best treatment for such items.

Normal: Thoroughly cleans a full load of normally soiled dishes.

Note: The Energy Guide Label was based on this soil sensing cycle with all available options turned off. As prescribed in the energy test procedure, the unit was tested without any Rinse Aid in the Rinse Aid dispenser. A single dose of detergent was used in the Detergent Dispenser, with no detergent used in the prewash. The test was conducted with the upper rack in the lowest position.

Quick: Cleans lightly soiled dishes and reduces overall wash time. Use this cycle to clean glasses and dessert dishware that may need to be reused at the same event.

Half Load: Reduces the energy and water consumption when washing small, lightly soiled loads that fill approximately half of the dishwasher's capacity.

*If the "Sanitized" indicator  illuminates on the control panel after the Pots & Pans cycle, it means the dishes that were just washed have been sanitized according to the requirements of the National Sanitation Foundation (NSF). See Table 2 on page 11 for more information on which cycles/options meet the requirements of NSF.

Wash Cycle Options

Delay Start: This option allows you to delay the start time of your dishwasher up to 19 hours.

ExtraDry: Used in combination with a wash cycle, the ExtraDry option raises the temperature and extends the drying time to further enhance drying results.

PowerBoost®: Combines powerful water pressure with increased water temperature to deliver the ultimate in heavy duty washing performance throughout the dishwasher.

Wash Cycle Information

Note: To save energy, this dishwasher has a “Smart Control” where the sensors in the dishwasher automatically adjust the cycle length, temperature and water changes based on the amount of food soil and the incoming water temperature. The “Smart Control” makes decisions that can cause the cycle time and water usage to adjust intermittently. **Wash cycle times are based on 120°F water supply.** If your household water supply is different than 120°F, your dishwasher’s cycle times may be impacted.

Table 2 - Wash Cycle Information

	Pots & Pans NSF qualified	Auto	Normal	Hand Wash	Quick	Half Load
cycle time	135 min	95-119 min	115 min	80 min	30 min	99 min
water consumption	23.2-27.4 L 6.1-7.2 gal	10.4-22.5 L 2.7-5.9 gal	8.9-18.3L 2.4-4.8 gal	13.1 L 3.5 gal	13.1 L 3.5 gal	14.1-18.3 L 3.7-4.8 gal
wash temperature	66-72°C 151-162°F	55-72°C 126-162°F	50-69°C 122-156°F	50°C 122°F	45-72°C 113-162°F	55-72°C 126-162°F
rinse temperature	72°C 162°F	65-72°C 156-162°F	45-69°C 113-156°F	69°C 156°F	50°C 122°F	72°C 162°F
with Extra Dry option selected	NSF qualified	NSF qualified	NSF qualified			NSF qualified
cycle time	135-150 min	120-145 min	115-140 min	105-125 min	60 min	125 min
water consumption	23.6-27.8 L 6.2-7.3 gal	8.4-21.9 L 2.2-5.8 gal	7.7-18.5 L 2.0-4.9 gal	11.5-17.7 L 3.0-4.7 gal	12.5 L 3.3 gal	14.3-18.5 L 3.8-4.9 gal
rinse temperature	72°C 162°F	72°C 162°F	72°C 162°F	72°C 162°F	72°C 162°F	72°C 162°F
with PowerBoost™ option selected	NSF qualified					
cycle time	135-150 min	110-135 min	105-130 min	95-115 min	n/a	115 min
water consumption	23.6-27.8 L 6.2-7.3 gal	8.4-21.9 L 2.2-5.8 gal	7.7-18.5 L 2.0-4.9 gal	11.5-17.7 L 3.0-4.7 gal	n/a	14.3-18.5 L 3.8-4.9 gal
rinse temperature	72°C 162°F	65-72°C 149-162°F	51-69°C 124-156°F	67°C 153°F	n/a	72°C 162°F

Note: Only sanitizing cycles have been designed to meet the requirements of 6 for soil removal and sanitization efficacy. There is no intention, either directly or indirectly, that all cycles have passed sanitization performance tests.

Operating the Dishwasher

Start the dishwasher:

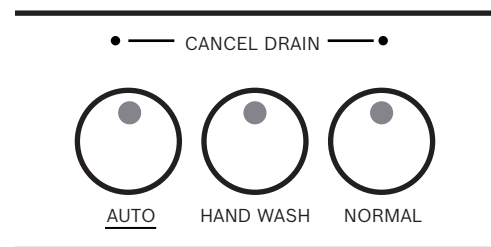
- 1 Open the door and press the **On/Off** button.
- 2 Select a cycle and desired options.
- 3 Close the door to begin the cycle.

Delay start:

- 1 Open the door and press the **On/Off** button. Select a cycle.
- 2 Press and hold the **Delay start** button. Release when the desired delay time is shown in the display window.
- 3 Close the door to begin the cycle.

Cancel a cycle:

- 1 Open the dishwasher door just far enough to expose the control panel. Be careful of hot water that may splash out.
- 2 Press and hold the two buttons labeled **Cancel Drain** for 3 seconds.
- 3 Close the door and wait about 1 minute while the dishwasher drains.
- 4 Open the door and press the **On/Off** button. You may now start a new cycle.



WARNING

You could be seriously scalded if you allow hot water to splash out of the dishwasher. **OPEN THE DOOR CAREFULLY** during any wash or rinse cycle. Do not fully open the door until water noises have stopped.

Interrupt a cycle:

- 1 Open the dishwasher door just far enough to expose the control panel. Be careful of hot water that may splash out.
- 2 Press the **On/Off** button to turn the unit off.
- 3 Wait at least 10 seconds before fully opening the dishwasher door.
- 4 To resume the cycle, press the **On/Off** button and close the dishwasher door.

Added heat for drying:

- 1 Press and hold the **Auto** button, then press and hold the **On/Off** button.
- 2 When the LED display window indicates a "0" or "1" release both buttons.
- 3 To activate the added heat for drying, press the **Auto** button until the display indicates "1".
- 4 To disable the added heat for drying, press the **Auto** button until the display indicates "0".
- 5 Press the **On/Off** button to save the setting.

Cycle completion signal:

The cycle completion signal alerts you when a cycle completes and the dishwasher has washed and dried the dishes. You can choose to disable the tone or adjust the volume. The dishwasher must be powered OFF before adjusting the signal.

To activate:

- 1 With the unit OFF, press and hold the right of the two **Cancel Drain** buttons and then press and hold the **On/Off** button.
- 2 When the light on the **Cancel Drain** button you are pressing illuminates and the tone goes off, release both buttons.
- 3 Press the right of the two **Cancel Drain** buttons again until you achieve the desired volume or until there is no tone (to turn cycle completion signal OFF).
- 4 Press the **On/Off** button to save the setting.

Care and Maintenance

Maintenance Tasks

Certain areas of the dishwasher require occasional maintenance. The maintenance tasks are easy to do and will ensure continued superior performance from your dishwasher.

Wiping up spills and splash-outs

Water may occasionally splash out of your dishwasher, particularly if you interrupt a cycle or open the dishwasher door during a cycle. To avoid floor damage and possibly mold growth, do not allow wet areas to remain around or under the dishwasher.

Clean the stainless steel inner door and tub

Clean the outer edges of the inside door panel regularly to remove debris that may collect from normal loading. If spots begin to appear on the stainless steel, make sure the rinse aid is full and functioning properly.

Check and clean spray arm nozzles

Remove the top spray arm by first removing the empty top rack from the dishwasher. Turn the rack upside down. The top spray arm is held in position by a locking nut as shown in **Figure 9**. Turn the locking nut counterclockwise and remove it to release the spray arm. Look for obstruction in the spray nozzles. If the spray nozzles need cleaning, flush them under running water.

To reinstall the top spray arm, place it back in position and return the locking nut to its install position. Turn the locking nut clockwise to secure. Return the top rack to the top rack roller guides.

Remove the bottom spray arm by first removing the empty bottom rack from the dishwasher. Grasp and lift the spray arm as shown in **Figure 10**. Look for obstruction in the spray nozzles. If the spray nozzles need cleaning, flush them under running water.

To reinstall the bottom spray arm, return the bottom spray arm to the installed position and press it until it snaps into place. Return the bottom rack to the installed position.

Check and clean the filter system

The filter system consists of a Large Object Trap/Cylinder Filter assembly, a Fine Filter and a Micro Filter. The filter system is located on the inside of your dishwasher under the lower rack and is easily accessible. During normal use, the filter system is self-cleaning. You should occasionally inspect it for foreign objects and clean it when necessary.

Figure 9



Figure 10





CAUTION

To avoid injury, do not reach into the large object trap with your fingers. The large object trap could contain sharp objects.

To remove the Large Object Trap, remove the bottom rack. Grasp the assembly and turn it counterclockwise. Lift the assembly out.

Carefully examine the assembly. If you find debris in the Large Object Trap, turn it upside-down and gently tap it on a flat surface to dislodge and remove debris.

Remove the Micro Filter as shown in **Figure 12**.

Flush the Micro Filter and Fine Filter clean by holding them under running water.

To reinstall the filter system, return the Micro Filter to the installed position. Place the Large Object Trap/Cylinder Filter Assembly and Fine Filter into the installed position. Turn the locking nut clockwise until it is locked. The arrow on the ring handle and the arrow on the Fine Filter should point at each other.

Clean the exterior door panel

Colored doors: use only a soft cloth dampened with soapy water.

Stainless steel doors: use a soft cloth with a non-abrasive cleaner (preferably a liquid spray) made for cleaning stainless steel. For the best results, apply the stainless steel cleaner to the cloth and then wipe the surface.

Clean the door gasket

Regularly clean the door gasket with a damp cloth to remove food particles and other debris. Also clean the door seal, located inside the dishwasher at the bottom of the door.

Winterizing your unit

If your dishwasher will be unused for an extended period of time in a location that experiences freezing temperatures (holiday home or through a vacation period), have your dishwasher winterized by an authorized professional service. Turn your household water supply to the dishwasher off when on extended vacation or when dishwasher will not be used for more than 1 month.

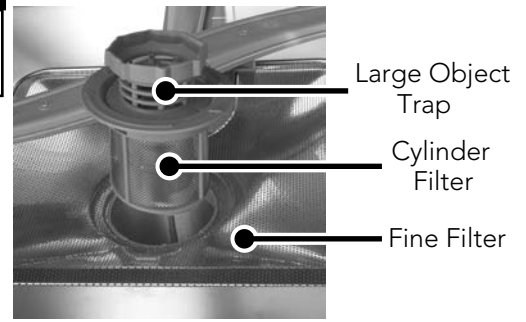


Figure 11

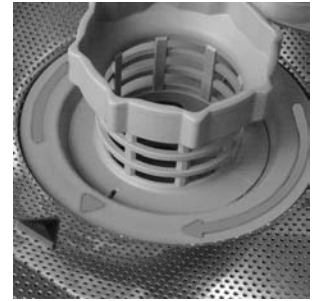


Figure 12



Micro Filter

Self Help

Dishwashers may occasionally exhibit problems that are unrelated to a malfunction of the dishwasher itself. The following information may help you with a dishwasher problem without involving an authorized repair professional.

Problem	Cause	Action
Dishwasher does not start	<ol style="list-style-type: none"> 1. Door may not be properly latched 2. Unit may not be turned on 3. Unit not reset or previous cycle not completed 4. Delay start engaged 5. Interruption of electrical power supply to dishwasher or blown fuse 6. The door may have been closed without first selecting a cycle 7. Water supply may not be turned on 	<ol style="list-style-type: none"> 1. Shut the door completely until you hear it click 2. Press the main power switch to turn unit on 3. To reset, refer to "Cancel a Cycle" (page 11) in this manual 4. To reset, refer to "Delay Start" (page 11) section in this manual 5. Check circuit breaker 6. Select a cycle and close the door 7. Check and turn on water supply
Dishwasher beeping (end of cycle signal)	<ol style="list-style-type: none"> 1. Default factory settings alert the customer that the cycle is complete by beeping. This feature can be deactivated if so desired 	<ol style="list-style-type: none"> 1. To adjust the volume or deactivate, refer to the "Cycle Completion Signal" (page 12) section in this manual
Display does not illuminate	<ol style="list-style-type: none"> 1. A fuse may have been blown or circuit breaker tripped 2. Door not closed or latched <p>Note: For models with controls on top of the door, the display only illuminate when the door is opened and controls are visible.</p>	<ol style="list-style-type: none"> 1. Check the fuse or circuit breaker box and replace the fuse or reset the breaker if necessary 2. Ensure door is properly latched and completely closed

Problem	Cause	Action
Dishwasher seems to run a long time	<ol style="list-style-type: none"> 1. Incoming water is not warm enough 2. Cycle time can vary due to soil and water conditions 3. Rinse aid dispenser is empty 4. Dishwasher connected to cold water supply <p>Note: Refer to "Wash Cycle Information" (page 11) section in this manual for typical cycle lengths</p>	<ol style="list-style-type: none"> 1. Before starting a cycle, run hot water faucet at the sink closest to the dishwasher 2. Sensors in the dishwasher automatically increase the cycle time to ensure a good wash when heavy soil is detected 3. Add rinse aid 4. Verify dishwasher is connected to hot water supply plumbing
Dishes are not getting clean enough	<ol style="list-style-type: none"> 1. Spray arm movement obstructed 2. Spray arm nozzles clogged 3. Improper use of detergents 4. Filters could be clogged 5. Dishes are nested or loaded too close together 6. Selected wash cycle is not suitable for food soil conditions 	<ol style="list-style-type: none"> 1. Ensure that spray arm movement is not blocked by hand rotating spray arms before starting cycle 2. Remove the spray arms and clean according to the "Care and Maintenance" (pages 12-13) section of the manual 3. Increase or decrease detergent depending on the water hardness (refer to Table 1) 4. Clean the filters according to the "Care and Maintenance" (pages 12-13) section of the manual 5. Rearrange load such that water spray can reach all items in the dishwasher - see "Loading the Dishwasher" (page 6) section of the manual 6. Refer to "Wash Cycle Information" (page 11) section of the manual
Dishes are not getting dry enough	<ol style="list-style-type: none"> 1. Rinse aid dispenser is empty 2. Improper loading of dishes 3. Selected cycle does not include drying 4. "Added heat for drying" is not activated <p>Note: Plastic or Teflon do not typically dry as well as other items due to their inherent properties</p>	<ol style="list-style-type: none"> 1. Add rinse aid - the use of rinse aid improves drying 2. Rearrange load to ensure items are not nesting (see "Loading the Dishwasher" (page 6) section of the manual) 3. Rinse and Hold setting does not include drying 4. See the "Operating the Dishwasher" (page 11) section of this manual to learn how to activate the added heat for drying
Odor	<ol style="list-style-type: none"> 1. Food debris is present at the bottom of the dishwasher 2. Food particles are present near the door seal 3. Dishes left in unit too long before running a cycle 4. Residual water is present at the bottom of the dishwasher 5. Drain hose is obstructed 	<ol style="list-style-type: none"> 1. Remove the filters and clean according to the "Care and Maintenance" (pages 12-13) section of the manual 2. Refer to "Care and Maintenance" (pages 12-13) section of the manual 3. Run a Rinse cycle if you do not intend to immediately wash the dishes 4. Ensure the unit has completely drained from the last cycle 5. Remove any obstructions from the drain hose by calling qualified personnel <p>Note: If odor still persists, run the Normal/Regular cycle until it flushes and interrupt the cycle and place an 8oz. cup of distilled white vinegar solution on the top rack and then finish the cycle.</p>
Dishwasher not filling with water	<ol style="list-style-type: none"> 1. Restriction in the water supply system 2. Previous wash cycle was not completed 3. Delay start is active 4. Household water supply is off 	<ol style="list-style-type: none"> 1. Ensure that the water supply valve (typically located under kitchen sink) is open and check that the water supply line has no kinks or clogs 2. Refer to the "Operating the Dishwasher" (page 11) section of the manual 3. Cancel the delay start or wait until delay start time completes 4. Turn household water supply on
Water leaks	<ol style="list-style-type: none"> 1. Suds 2. Door seal could be pulled away from track 3. Condensation vent is blocked 4. Improper installation 	<ol style="list-style-type: none"> 1. Wrong type of detergent results in suds and leaks - use only dishwasher detergents. If suds still persist, add one tablespoon of vegetable oil at the bottom of the dishwasher and run the desired cycle. 2. Ensure the door seal is in the track 3. Ensure that condensation vent is not blocked 4. Have proper installation verified by qualified personnel (water supply, drain system, leveling, plumbing)
Tub stains	<ol style="list-style-type: none"> 1. Stains on the dishwasher interior are due to water hardness 2. Silverware in contact with tub 	<ol style="list-style-type: none"> 1. Concentrated lemon juice can reduce the build up of hard water stains. Run a Regular cycle until it flushes and interrupt the cycle and then place an 8oz. cup of the concentrated lemon solution on the top rack and finish the cycle. this can be done periodically to avoid build up 2. Ensure that silverware does not make contact with the tub while running a cycle
Streaks on glassware or residue on the dishes	<ol style="list-style-type: none"> 1. Incorrect rinse aid setting 	<ol style="list-style-type: none"> 1. Depending on the hardness of water, adjust the rinse aid dispenser. Refer to "Adding Detergent and Rinse Aid" (page 9-10) section in the manual
Fascia panel discolored or marked	<ol style="list-style-type: none"> 1. Abrasive cleaner used 	<ol style="list-style-type: none"> 1. Use mild detergents with soft damp cloth
Noise during wash cycle	<ol style="list-style-type: none"> 1. Dishes may not be arranged properly 	<ol style="list-style-type: none"> 1. Water circulation sound is normal, but if you suspect items are banging into each other or into the spray arms, refer to the "Loading the Dishwasher" (page 6) section of the manual for optimal arrangement

Problem	Cause	Action
Detergent dispenser cover will not shut	1. Improper operation of detergent cover 2. Previous cycle has not been finished or reset or cycle or interrupted	1. Refer to "Adding Detergent and Rinse Aid" (pages 9-10) section of the manual for instructions on opening and closing the dispenser 2. Refer to the "Operating the Dishwasher" (page 11) section of the manual
Unable to select desired cycle	1. Previous cycle has not finished	1. Refer to the "Operating the Dishwasher" (page 11) section of the manual

Customer Service

Your Thermador® dishwasher requires no special care other than that described in the Care and Maintenance section of this manual. If you are having a problem with your dishwasher, before calling for service please refer to the Self Help section of the manual. If service is necessary, contact your dealer or installer or an authorized service center. Do not attempt to repair the appliance yourself. Any work performed by unauthorized personnel may void the warranty.

If you are having a problem with your Thermador® dishwasher and are not pleased with the service you have received, please take the following steps until the problem is corrected to your satisfaction:

- 1 Call us at 1-800-735-4328
- 2 Contact Customer Service from our web site: www.thermador.com (USA) or www.thermador.ca (Canada)
- 3 Contact your installer or the Thermador® Authorized Service Contractor in your area.

Please be sure to include your model information as well as an explanation of the problem and the date it started. You will find the model and serial number information on the label located on the edge of the dishwasher door. Please make a copy of your invoice and keep it with this manual. The customer must show proof of purchase to obtain warranty service.



Thermador Cust. Service (SERVICE CLIENTÈLE) : 1-800-735-4328		ENERGY VERIFIED BY Energétique Vérifié par	
MODEL NUMBER (NUMÉRO DE MODÈLE) DWHDXXXXXX/XX	~ 120 V 12.0 A 60 Hz 0.2 kW ~ 1.2 kW	UL LISTED (LISTÉ) 76X6	NSF Residential (RÉSIDENTIEL)
FD89051200003	Made in the USA of US and imported parts (Fabriqué aux É.-U. de pièces É.-U. et importées)	E103022	
S9B5B 109050087595000030	DISHWASHER (LAVE-VAISSELLE) 9902358		

Warranty Information

What this Warranty Covers & Who it Applies to: The limited warranty provided by BSH Home Appliances Corporation ("BSH") in this Statement of Limited Product Warranty applies only to Thermador® dishwashers ("Product") sold to you, the first using purchaser, provided that the Product was purchased: (1) for your normal, household (non-commercial) use, and has in fact at all times only been used for normal household purposes; (2) new at retail (not a display, "as is", or previously returned model), and not for resale, or commercial use; and (3) within the United States or Canada, and has at all times remained within the country of original purchase. The warranties stated herein apply only to the first purchaser of the Product and are not transferable.

- Please make sure to return your registration card; while not necessary to effectuate warranty coverage, it is the best way for BSH to notify you in the unlikely event of a safety notice or product recall.

How Long the Warranty Lasts: BSH warrants that the Product is free from defects in materials and workmanship for a period of three hundred sixty five (365) days (i.e., 1 year) from the date of purchase. The foregoing timeline begins to run upon the date of purchase, and shall not be stalled, tolled, extended, or suspended, for any reason whatsoever. Labor and shipping costs are included in this basic coverage.

Extended Limited Warranty: BSH also provides these additional limited warranties:

- **2 Year Limited Warranty:** BSH will repair or replace any component that proves to be defective in materials or workmanship (excludes labor charges).
- **5 Year Limited Warranty on Electronics:** BSH will repair or replace any Thermador® microprocessor or printed circuit board if it proves to be defective in materials or workmanship (excludes labor charges).
- **5 Year Limited Warranty on Dish Racks:** BSH will replace the upper or lower dish rack (excluding rack components), if the rack proves defective in materials or workmanship (excludes labor charges).
- **Lifetime Warranty against Stainless Steel Rust Through:** BSH will replace your dishwasher with the same model or a current model that is substantially equivalent or better in functionality, if the inner liner should rust through (excludes labor charges). BSH will replace the stainless steel door if the door should rust through (excludes labor charges).

The foregoing timeline begins to run upon the date of purchase, and shall not be stalled, tolled, extended, or suspended, for any reason whatsoever.

Repair/Replace as Your Exclusive Remedy: During this warranty period, BSH or one of its authorized service providers will repair your Product without charge to you (subject to certain limitations stated herein) if your Product proves to have been manufactured with a defect in materials or workmanship. If reasonable attempts to repair the Product have been made without success, then BSH will replace your Product (upgraded models may be available to you, in the sole discretion of BSH, for an additional charge). All removed parts and components shall become the property of BSH at its sole option. All replaced and/or repaired parts shall assume the identity of the original part for purposes of this warranty and this warranty shall not be extended with respect to such parts. The sole liability and responsibility of BSH hereunder is to repair manufacturer-defective Product only, using a BSH authorized service provider during normal business hours. For safety and property damage concerns, BSH highly recommends that you do not attempt to repair the Product yourself, or use an un-authorized servicer; BSH will have no responsibility or liability for repairs or work performed by a non-authorized servicer. If you choose to have someone other than an authorized service provider work on your Product, **THIS WARRANTY WILL AUTOMATICALLY BECOME NULL AND VOID.** Authorized service providers are those persons or companies that have been specially trained on Thermador® products, and who possess, in the opinion of BSH, a superior reputation for customer service and technical ability (note that they are independent entities and are not agents, partners, affiliates or representatives of BSH). Notwithstanding the foregoing, BSH will not incur any liability, or have responsibility, for the Product if it is located in a remote area (more than 100 miles from an authorized service provider) or is reasonably inaccessible, hazardous, threatening, or treacherous locale, surroundings, or environment; in any such event, if you request, BSH would still pay for labor and parts and ship the parts to the nearest authorized service provider, but you would still be fully liable and responsible for any travel time or other special charges by the service company, assuming they agree to make the service call.

Out of Warranty Product: BSH is under no obligation, at law or otherwise, to provide you with any concessions, including repairs, pro-rates, or Product replacement, once this warranty has expired.

Warranty Exclusions: The warranty coverage described herein excludes all defects or damage that are not the direct fault of BSH, including without limitation, one or more of the following: (1) use of the Product in anything other than its normal, customary and intended manner (including without limitation, any form of commercial use, use or storage of an indoor product outdoors, use of the Product in conjunction with air or water-going vessels); (2) any party's willful misconduct, negligence, misuse, abuse, accidents, neglect, improper operation, failure to maintain, improper or negligent installation, tampering, failure to follow operating instructions, mishandling, unauthorized service (including self-performed "fixing" or exploration of the appliance's internal workings); (3) adjustment, alteration or modification of any kind; (4) a failure to comply with any applicable state, local, city, or county electrical, plumbing and/or building codes, regulations, or laws, including failure to install the product in strict conformity with local fire and building codes and regulations; (5) ordinary wear and tear, spills of food, liquid, grease accumulations, or other substances that accumulate on, in, or around the Product; and (6) any external, elemental and/or environmental forces and factors, including without limitation, rain, wind, sand, floods, fires, mud slides, freezing temperatures, excessive moisture or extended exposure to humidity, lightning, power surges, structural failures surrounding the appliance, and acts of God. In no event shall BSH have any liability or responsibility whatsoever for damage to surrounding property, including cabinetry, floors, ceilings, and other structures or objects around the Product. Also excluded from this warranty are scratches, nicks, minor dents, and cosmetic damages on external surfaces and exposed parts; Products on which the serial numbers have been altered, defaced, or removed; service visits to teach you how to use the Product, or visits where there is nothing wrong with the Product; correction of installation problems (you are solely responsible for any structure and setting for the Product, including all electrical, plumbing or other connecting facilities, for proper foundation/flooring, and for any alterations including without limitation cabinetry, walls, floors, shelving, etc.); and resetting of breakers or fuses.

TO THE EXTENT ALLOWED BY LAW, THIS WARRANTY SETS OUT YOUR EXCLUSIVE REMEDIES WITH RESPECT TO PRODUCT, WHETHER THE CLAIM ARISES IN CONTRACT OR TORT (INCLUDING STRICT LIABILITY, OR NEGLIGENCE) OR OTHERWISE. THIS WARRANTY IS IN LIEU OF ALL OTHER WARRANTIES, WHETHER EXPRESS OR IMPLIED. ANY WARRANTY IMPLIED BY LAW, WHETHER FOR MERCHANTABILITY OR FITNESS FOR A PARTICULAR PURPOSE, OR OTHERWISE, SHALL BE EFFECTIVE ONLY FOR THE PERIOD THAT THIS EXPRESS LIMITED WARRANTY IS EFFECTIVE. IN NO EVENT WILL THE MANUFACTURER BE LIABLE FOR CONSEQUENTIAL, SPECIAL, INCIDENTAL, INDIRECT, "BUSINESS LOSS", AND/OR PUNITIVE DAMAGES, LOSSES, OR EXPENSES, INCLUDING WITHOUT LIMITATION TIME AWAY FROM WORK, HOTELS AND/OR RESTAURANT MEALS, REMODELLING EXPENSES IN EXCESS OF DIRECT DAMAGES WHICH ARE DEFINITELY CAUSED EXCLUSIVELY BY BSH, OR OTHERWISE. SOME STATES DO NOT ALLOW THE EXCLUSION OR LIMITATION OF INCIDENTAL OR CONSEQUENTIAL DAMAGES, AND SOME STATES DO NOT ALLOW LIMITATIONS ON HOW LONG AN IMPLIED WARRANTY LASTS, SO THE ABOVE LIMITATIONS MAY NOT APPLY TO YOU. THIS WARRANTY GIVES YOU SPECIFIC LEGAL RIGHTS, AND YOU MAY ALSO HAVE OTHER RIGHTS WHICH VARY FROM STATE TO STATE. No attempt to alter, modify or amend this warranty shall be effective unless authorized in writing by an officer of BSH.

How to Obtain Warranty Service: To obtain warranty service for your product, you should contact the nearest BSH authorized service center, or call 1-800-735-4328.

Félicitations et merci!

Merci d'avoir choisi un lave-vaisselle Thermador®. Vous avez rejoint les nombreux consommateurs qui exigent un rendement supérieur et silencieux de leur lave-vaisselle.

Ce guide a été écrit avec sécurité et côté pratique en tête et l'information contenue ici est importante. Nous recommandons fortement de lire ce guide avant d'utiliser ce lave-vaisselle la première fois.

Nous savons que vous serez satisfait(e) de votre achat. Si vous avez des questions ou des commentaires, veuillez nous contacter au :

www.thermador.com (USA)

or

www.thermador.ca (Canada)

Vous pouvez communiquer avec nous pour tout commentaire et toute question en téléphonant au : 1-800-735-4328

Table des matières

Consignes de sécurité importantes.....	2-3
Composants du lave-vaisselle.....	3-4
Caractéristiques du lave-vaisselle et matériaux de vaisselle.....	5
Chargement du lave-vaisselle.....	6
Chargement du panier à couverts.....	7
Accessoires des paniers.....	8
Ajout de détergent et d'agent de rinçage.....	9-10
Programmes et options du lave-vaisselle.....	10
Informations sur les programmes de lavage.....	11
Fonctionnement du lave-vaisselle.....	11-12
Nettoyage et entretien.....	12-13
Aide automatique.....	13-15
Service après-vente.....	15
Informations concernant la garantie.....	16

Consignes de sécurité importantes: Veuillez lire et conserver ces informations

AVERTISSEMENT

Une mauvaise utilisation du lave-vaisselle peut entraîner des blessures graves ou la mort. Ne pas utiliser le lave-vaisselle d'une manière qui n'est pas traitée dans le présent guide ou à des fins autres que celles qui sont expliquées dans les pages qui suivent.

Des dommages au produit et/ou blessures graves peuvent survenir par suite de l'emploi de techniciens en entretien et en réparation non qualifiés ou de pièces de rechanges qui ne sont pas d'origine. Toutes les réparations doivent être effectuées par un technicien en entretien et en réparation qualifié qui utilise des pièces de rechange du fabricant de l'équipement d'origine.

Un choc électrique ou un incendie peut résulter de l'installation inexacte de l'alimentation électrique du lave-vaisselle traité dans le présent guide ou d'une mauvaise mise à la terre du lave-vaisselle. Ne pas utiliser le lave-vaisselle traité dans le présent guide à moins d'être certain que l'alimentation électrique a été correctement installée ou que le lave-vaisselle a été correctement mis à la terre.

Ne jamais nettoyer votre lave-vaisselle avec des produits chimiques puissants. Certains produits contenant des chlorures peuvent endommager votre lave-vaisselle et poser des risques pour la santé !

Seuls les programmes sanitaires sont prévus pour satisfaire aux exigences de niveau 6 en matière d'efficacité d'élimination des saletés et de désinfection. Il n'existe aucune intention, directe ou indirecte, que tous les programmes aient réussi les tests de performance en désinfection.

AVIS

Ne jamais nettoyer votre lave-vaisselle avec des produits de nettoyage à la vapeur. Le fabricant n'assume aucune responsabilité pour d'éventuels dommages ou conséquences.

Il est vivement recommandé à l'utilisateur final de se familiariser avec les procédures de fermeture de l'alimentation d'eau entrante et de coupure de l'alimentation électrique entrante. Reportez-vous aux instructions d'installation ou communiquez avec votre installateur pour de plus amples renseignements.

Les lave-vaisselles certifiés NSF/ANSI 184 ne sont pas conçus pour les établissements alimentaires autorisés.

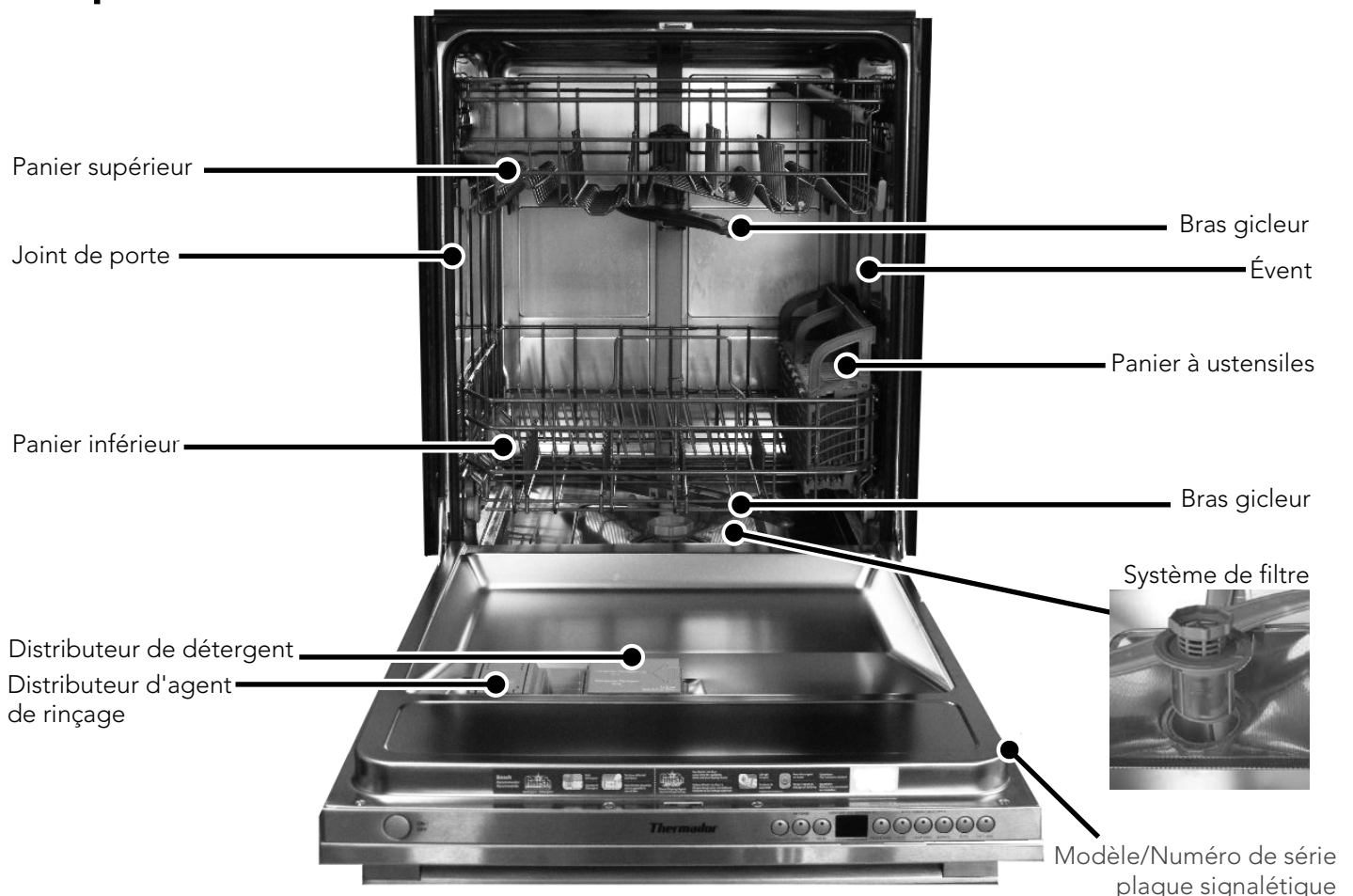


AVERTISSEMENT : Pour réduire le risque d'incendie, de choc électrique ou de blessure grave, respectez les consignes suivantes :

- 1 Ce lave-vaisselle est fourni avec les instructions d'installation et le présent guide d'utilisation et d'entretien. Lire et comprendre toutes les instructions avant de faire fonctionner le lave-vaisselle.
- 2 Cet appareil doit être mis à la terre sur une installation de fils à demeure en métal ou un conducteur de protection doit être relié aux fils conducteurs et raccordé à la borne ou au fil de mise à la terre du lave-vaisselle. Consulter les instructions d'installation fournies avec ce lave-vaisselle pour de plus amples renseignements sur les conditions requises pour l'alimentation en électricité.
- 3 Utiliser uniquement ce lave-vaisselle conformément à l'usage auquel il est destiné, à savoir pour laver la vaisselle et la batterie de cuisine de ménage.
- 4 Utiliser uniquement des détergents ou des produits de rinçage recommandés pour l'usage en lave-vaisselle et les conserver hors de la portée des enfants.
- 5 Lors du chargement des articles dans le lave-vaisselle :
 - Disposer les articles coupants de sorte à ce qu'ils ne puissent pas endommager le joint de porte.
 - Placer les couteaux et autres ustensiles tranchants le MANCHE VERS LE HAUT pour réduire le risque de blessure par coupure.
 - Ne pas laver d'articles en plastique à moins qu'ils ne soient identifiés par la mention « lavable au lave-vaisselle » ou l'équivalent.
 - Ne pas faire fonctionner votre lave-vaisselle à moins que tous les panneaux protecteurs ne soient en place.
 - Ne pas altérer ni neutraliser les commandes et dispositifs de verrouillage.

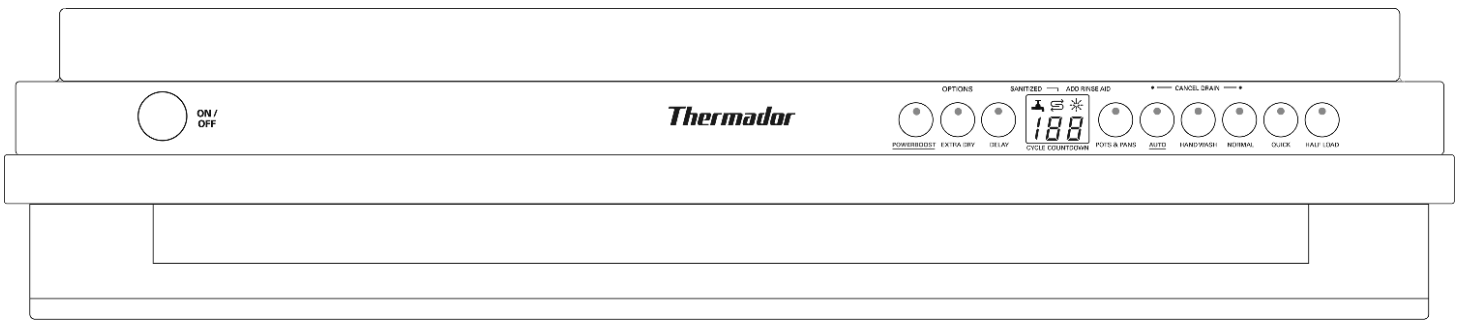
- 6 Ne pas utiliser abusivement, s'asseoir ou se tenir debout sur la porte ou les paniers à vaisselle du lave-vaisselle.
- 7 Pour réduire le risque de blessures, empêcher les enfants de jouer à l'intérieur ou sur le lave-vaisselle.
- 8 Lorsque les enfants sont en âge de faire fonctionner l'appareil, les parents ou tuteurs légaux ont la responsabilité légale de s'assurer qu'ils ont été initiés aux pratiques sécuritaires par des personnes qualifiées.
- 9 Dans certaines conditions, de l'hydrogène peut se former à l'intérieur d'un système de production d'eau chaude qui n'a pas été utilisé pendant deux semaines ou plus. L'hydrogène est un gaz explosif. Avant d'utiliser un lave-vaisselle qui est relié à un système de production d'eau chaude inactif depuis deux semaines ou plus, ouvrir tous les robinets d'eau chaude et laisser l'eau couler pendant quelques minutes. Ceci aura pour effet de libérer l'hydrogène accumulé à l'intérieur du système. Ne pas fumer et ne pas utiliser de flamme nue pendant cette opération.
- 10 Enlever la porte du compartiment de lavage d'un ancien lave-vaisselle que vous devez déposer pour réparation ou mise au rebut.
- 11 Afin d'éviter d'endommager le plancher et la formation éventuelle de moisissures, ne laissez aucune trace d'eau sur le sol adjacent au lave-vaisselle ou sous ce dernier.
- 12 Protégez votre lave-vaisselle des éléments. Protégez-le contre le gel afin d'éviter les dommages éventuels au robinet de remplissage. Les dommages causés par le gel ne sont pas couverts par la garantie.
- 13 Modèles avec cordon d'alimentation :
 - Cet appareil doit être mis à la terre. En cas de fonctionnement défectueux ou de panne, la mise à la terre réduit les risques de choc électrique en fournissant un trajet de moindre résistance au courant. Cet appareil est équipé d'un cordon d'alimentation avec un conducteur de mise à la terre d'équipement et une fiche de mise à la terre. Cette fiche doit être branchée sur une prise appropriée, installée et mise à la terre conformément aux codes et règlements locaux.
 - Un mauvais raccordement du conducteur de mise à la terre d'équipement peut entraîner un risque de choc électrique. En cas de doute quant à la mise à la terre adéquate de l'appareil, communiquez avec un électricien ou un technicien en réparation qualifié. Ne pas modifier la fiche fournie avec l'appareil. Si elle ne rentre pas dans la prise, faites installer une prise adéquate par un électricien qualifié.

Composants du lave-vaisselle

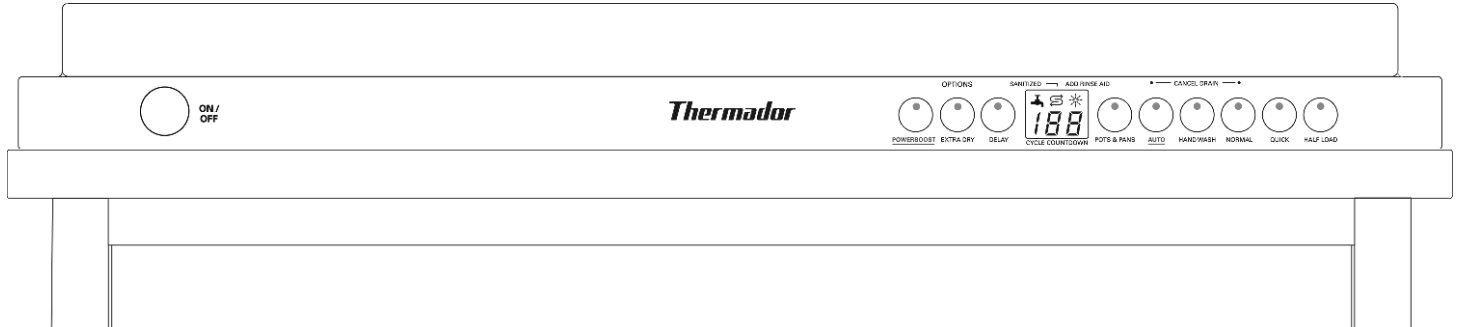


Thermador Cust. Service (SERVICE CLIENTÈLE) : 1-800-735-4328		ENERGY VERIFIED BY Énergétique Vérifié par		NSF Residential (RÉSIDENTIEL)
MODEL NUMBER (NUMÉRO DE MODÈLE) DWHDXXXXX/XX	120 V 12.0 A 60 Hz 0.2 kW 1.2 kW	UL LISTED (LISTÉ) 76X6	UL 9902358	
FD89051200003	Made in the USA of US and imported parts (Fabriqué aux É.-U. de pièces É.-U. et importées)	DISHWASHER (LAVE-VAISSELLE) E103022		
S9B5B 109050087595000030				

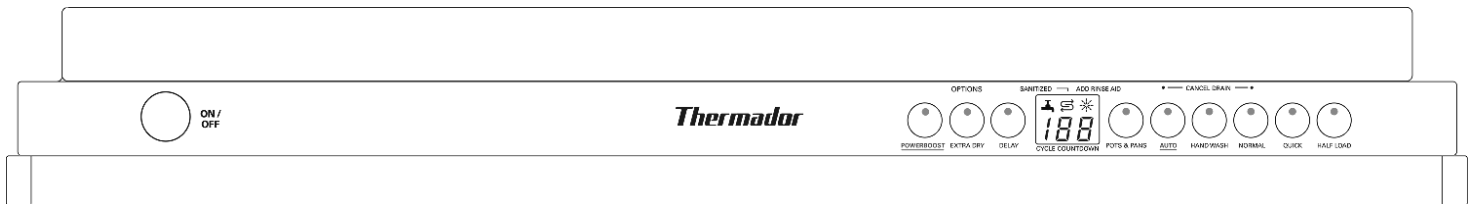
DWHD630IFM



DWHD630IFP



DWHD630IPR



Programmes de lavage							Caractéristiques supplémentaires						
Modèle	Pots & Pans	Auto	Hand Wash	Normal	Quick	Half Load	Adjustable Top Rack	Bottle Holder	Delay Start	Extra Tall Item Sprinkler	Flip Tines	PowerBeam®	Silverware Basket
DWHD630IFM	X	X	X	X	X	X	X	X	X	X	X	X	2-piece
DWHD630IFP	X	X	X	X	X	X	X	X	X	X	X	X	2-piece
DWHD630IPR	X	X	X	X	X	X	X	X	X	X	X	X	2-piece

Caractéristiques du lave-vaisselle

Mise en marche différée : retardez l'heure de démarrage de votre lave-vaisselle à l'aide de l'option de mise en marche différée.

Système de gestion du lavage Sense-A-Wash® : contrôle la qualité de l'eau et décide si un deuxième remplissage d'eau fraîche est nécessaire.

Picots rabattables : améliorent la souplesse d'utilisation des paniers afin qu'ils puissent recevoir des ustensiles surdimensionnés.

Flow-Through Heater™ : chauffe l'eau à la température de désinfection.

PowerBeam® : une DEL bleue éclaire le sol pour indiquer que le lave-vaisselle est en fonctionnement.

Système de réduction de bruit : utilise le système de moteur à deux pompes Suspension Motor™ et un revêtement isolant faisant de ce lave-vaisselle l'un des plus silencieux d'Amérique du Nord.

Paniers revêtus de nylon : offrent une protection contre les coupures et les éraflures et bénéficient d'une garantie de cinq (5) ans.

Panier à hauteur réglable : vous pouvez relever ou abaisser le panier supérieur pour donner davantage d'espace aux articles de forme haute dans les paniers supérieur et inférieur.

HygieneDry® (Séchage hygiénique par condensation) : le rinçage final à haute température, la cuve en acier inoxydable basse température et l'action mouillante de l'agent de rinçage permettent d'obtenir un séchage hygiénique, écoénergétique et économique.

Grande cuve en acier inoxydable : surface intérieure hygiénique inoxydable bénéficiant d'une garantie à vie.

Système de filtration triple : plusieurs filtres assurent une distribution d'eau propre et protègent la pompe principale et la pompe de vidange des corps étrangers.

Matériaux de la vaisselle

Remarque : avant d'utiliser votre lave-vaisselle pour la première fois, vérifier les informations figurant dans cette section. Certains articles ne sont pas lavables au lave-vaisselle et doivent être lavés à la main ; d'autres nécessitent un chargement spécial.

Matériaux recommandés

Aluminium : l'aluminium anodisé coloré peut s'altérer au fil du temps. Les minéraux présents dans l'eau peuvent noircir ou tacher l'aluminium. Ceci se nettoie généralement à l'aide d'un tampon de laine d'acier savonneux.

Porcelaine, cristal, faïence : certains ustensiles peints à la main peuvent se décolorer, s'altérer ou se tacher. Laver ces ustensiles à la main. Placer la verrerie fragile de façon à ce qu'elle ne se renverse pas ou qu'elle n'entre pas en contact avec d'autres ustensiles pendant le déroulement du programme de lavage.

Verrerie : le verre laiteux risque de se décolorer ou de jaunir.

Finis anti-adhésifs : appliquer une légère quantité d'huile végétale sur les surfaces anti-adhésives après le séchage.

Plastique : s'assurer que les articles en plastique sont lavables au lave-vaisselle.

Acier inoxydable, argent fin et métaux argentés : charger ce type d'articles de sorte à ce qu'ils n'entrent pas en contact avec d'autres métaux.

Non recommandé

Acrylique : des craquelures (petites fissures) peuvent apparaître sur l'acrylique.

Pièces collées : les adhésifs utilisés pour le collage des objets en plastique, bois, os, acier, cuivre, fer blanc, etc. risquent de ne pas tenir.

Ustensiles avec manches en os : les manches risquent de se décoller.

Fer : le fer se rouille. Laver à la main et sécher immédiatement.

Articles autres que la vaisselle : votre lave-vaisselle est conçu UNIQUEMENT pour le lavage de la vaisselle et de la batterie de cuisine de ménage standard.

Étain, laiton, bronze : ces matériaux auront tendance à ternir. Laver à la main et sécher immédiatement.

Fer blanc : le fer blanc aura tendance à se tacher. Laver à la main et sécher immédiatement.

Bois : les bols et les ustensiles en bois et les ustensiles avec manches en bois peuvent se fissurer, se déformer et perdre leur fini.

Chargement du lave-vaisselle

Ne pas laver au préalable les articles comportant des saletés peu adhérentes. Enlever les particules d'aliments, les os, les cure-dents et la graisse excessive. Il sera peut-être nécessaire de traiter préalablement la vaisselle comportant des saletés brûlées, collées ou farineuses. Consulter la section Matériaux de la vaisselle pour de plus amples renseignements sur l'adaptation de la vaisselle.

Charger uniquement les articles lavables au lave-vaisselle. Charger la vaisselle dans les paniers de sorte à orienter l'intérieur des bols, marmites et casseroles vers les bras gicleurs. Éviter que les articles ne s'emboîtent les uns dans les autres et éviter qu'ils ne se touchent. Séparer les articles de métal différent.

Chargement du panier supérieur

S'assurer que les articles ne dépassent pas du fond des paniers et qu'ils ne bloquent pas les bras gicleurs.

Remarque : lorsque vous poussez le panier supérieur à l'intérieur du lave-vaisselle, faites en sorte qu'il bute contre la paroi arrière de la cuve afin que le bras gicleur du panier supérieur se branche sur la conduite d'alimentation d'eau à l'arrière de la cuve. Ne pas pousser les paniers avec la porte.

Chargement du panier inférieur

Disposer les articles volumineux dans le panier inférieur. Charger les marmites, casseroles et bols à l'envers.

Déchargement du lave-vaisselle

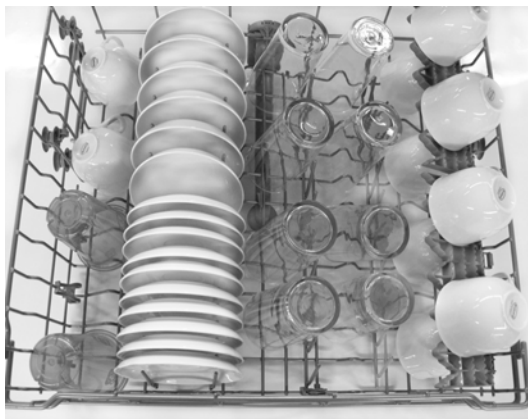
Lorsque vous déchargez le lave-vaisselle, il est préférable de vider tout d'abord le panier inférieur. Vider ensuite le panier à couverts puis le panier supérieur.

AVIS

Pour éviter d'endommager le lave-vaisselle, ne pas charger d'articles en papier, sacs en plastique, matériaux d'emballage ou d'articles autres que la vaisselle et les ustensiles de cuisine normaux lavables au lave-vaisselle.

Configuration de chargement suggérée - Panier à couverts 2-pièce

Panier supérieur



Panier inférieur



Configuration de chargement supplémentaire - Panier à couverts 2-pièce

Panier supérieur



Panier inférieur



Chargement du panier à couverts

Disposer les couteaux et ustensiles tranchants le MANCHE VERS LE HAUT et les fourchettes et cuillers le manche vers le bas. Si vous mettez des articles volumineux ou de forme irrégulière dans le panier à couverts, assurez-vous qu'ils ne s'emboîtent pas les uns dans les autres.

⚠ AVERTISSEMENT

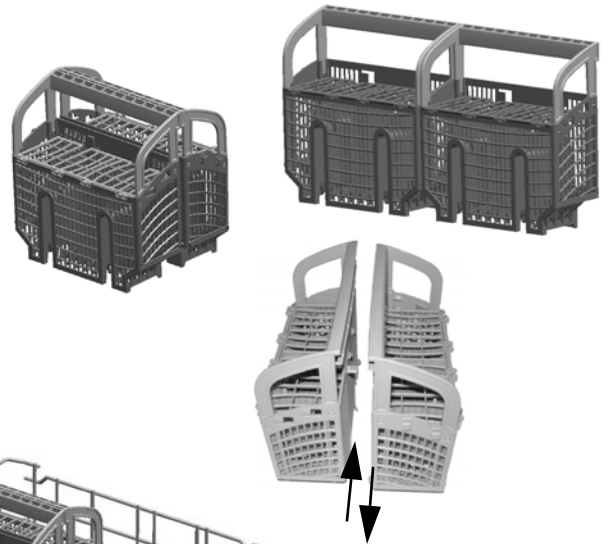
Les pointes et lames tranchantes des couteaux et autres types d'ustensiles tranchants peuvent occasionner des blessures graves. Ne pas laisser les enfants manier les couteaux et autres ustensiles tranchants ou jouer à proximité.

Le panier à couverts 2-piece

Ce panier se sépare en deux dans le sens de la longueur, donnant ainsi deux paniers qui peuvent être placés à plusieurs endroits du panier inférieur. Ceci améliore considérablement la souplesse de chargement du panier inférieur. Les deux parties du panier s'enclenchent dos à dos ou côte à côte comme indiqué ci-dessous.

Pour séparer le panier à couverts 2-piece en deux parties

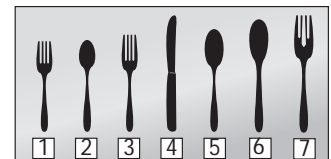
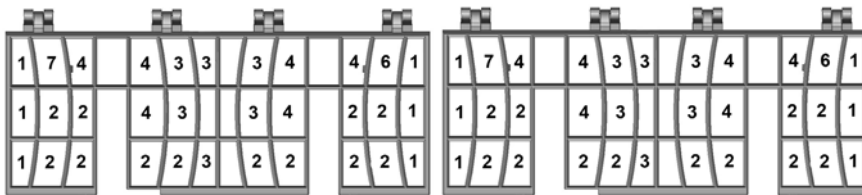
Saisissez le panier et faites glisser les deux parties du panier à l'opposé l'une de l'autre, comme indiqué à droite, puis séparez les deux sections en tirant.



Options de positionnement du panier 2-piece



Le panier à couverts



- 1- fourchette à salade
- 2- cuiller à thé
- 3- fourchette de table
- 4- couteau
- 5- cuiller à soupe
- 6- cuiller à servir
- 7 - fourchette de service

Le couvercle du panier peut également être enclenché par pression sur l'anse pour que le panier reste ouvert.

Accessoires des paniers

Panier supérieur à hauteur réglable

Le panier supérieur peut être relevé ou abaissé pour laisser davantage d'espace aux articles de grande taille dans l'un ou l'autre des paniers. Voir la **Figure 1**.

Remarque : Avant de pousser le panier supérieur à l'intérieur du lave-vaisselle, s'assurer que la hauteur est la même des deux côtés. Si la hauteur n'est pas la même des deux côtés, vous ne pourrez pas fermer la porte du lave-vaisselle et le bras gicleur du panier supérieur ne sera pas branché sur l'orifice d'arrivée d'eau.

Pour abaisser le panier supérieur :

- 1 Tirez le panier supérieur hors du lave-vaisselle jusqu'à la butée.
- 2 Appuyez sur les poignées du panier supérieur à hauteur réglable vers l'intérieur et laissez tomber le panier doucement.

Pour relever le panier supérieur :

- 1 Tirez le panier supérieur hors du lave-vaisselle jusqu'à la butée.
- 2 Saisissez la partie supérieure du panier, au-dessus des poignées du panier, et poussez celle-ci vers le haut jusqu'à ce que les poignées bloquent le panier en position (il n'est pas nécessaire d'appuyer sur les poignées pour soulever le panier).

Figure 1

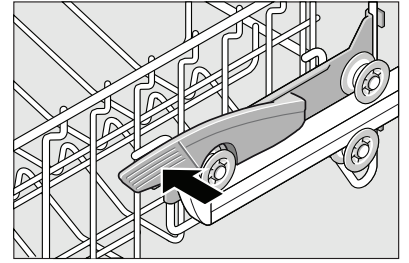


Figure 2



Support pour bouteille

Permet de maintenir en place les bouteilles ou vases de forme haute dans le panier inférieur. C'est une pièce amovible offrant une très grande flexibilité. Toujours vérifier que le bras gicleur supérieur ne touche aucune partie de ces articles dans le panier inférieur.

Pour enlever le support de bouteille, séparez les deux sections du support jusqu'à ce que ce dernier soit dégagé du panier. Pour le déplacer ailleurs, enlevez-le comme décrit ci-dessus et maintenez écartés les côtés. Enclenchez les deux extrémités du support sur le panier à un endroit différent. Voir la **Figure 2**.

Figure 3



Picots rabattables

Les paniers comportent des picots qui peuvent être repliés en fonction des articles devant être placés dans le lave-vaisselle. Pour rabattre un picot, saisissez-le et dégagez-le de l'encoche. Poussez-le vers le bas pour le mettre dans la position voulue comme indiqué à la **Figure 3**.

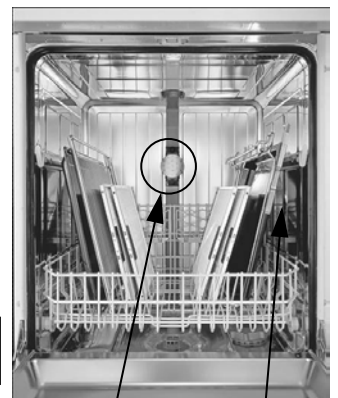
Asperseur pour articles de grande taille

Si un article est trop grand pour être placé dans le panier inférieur, même si le panier supérieur est en position relevée, enlevez le panier supérieur vide en le tirant hors du lave-vaisselle jusqu'à la butée. Poussez la partie avant du panier vers le haut et l'extérieur jusqu'à ce que les galets se dégagent complètement des glissières.

Mettez le panier supérieur en réserve. Repoussez les glissières à galets à l'intérieur du lave-vaisselle. Introduisez l'asperseur pour les articles de grande taille dans la sortie de pulvérisation et faites pivoter l'asperseur dans le sens horaire pour le mettre en position de blocage. Voir la **Figure 4**.

Remarque : afin d'éviter d'obstruer l'évent sur le côté droit de la cuve, disposez les grands articles telles que les planches à découper en plastique et les grandes tôles à biscuits du côté gauche du panier inférieur, ou au centre.

Figure 4



Do not block vent

AVIS

Pour éviter d'endommager le lave-vaisselle, ne pas réinstaller le panier supérieur sans retirer l'asperseur pour articles de grande taille.

Ajout de détergent et d'agent de rinçage

Détergent

Utiliser uniquement un détergent spécialement conçu pour les lave-vaisselle. Pour de meilleurs résultats, utiliser un détergent pour lave-vaisselle en poudre frais.

AVIS

Pour éviter d'endommager le lave-vaisselle, ne pas utiliser de détergent pour le lavage de la vaisselle à la main.

Pour éviter d'endommager le lave-vaisselle, ne pas utiliser trop de détergent si vous disposez d'une eau douce. Si vous employez une quantité trop importante de détergent dans une eau douce, vous risqueriez de rayer la verrerie.

Ce lave-vaisselle utilise moins d'eau. Par conséquent, moins de détergent est nécessaire. Avec de l'eau douce, 1 c. à soupe (15 ml) de détergent nettoie la plupart des charges. Le godet du distributeur de détergent comporte des lignes graduées pour mesurer le détergent comme suit : 1 c. à soupe (15 ml) et 1 3/4 c. à soupe (25 ml). 3 c. à soupe (45 ml) de détergent rempliront complètement le godet du distributeur de détergent.

Remarque : si vous ne connaissez pas le degré de dureté de l'eau de votre réseau d'alimentation, utilisez 15 ml de détergent. Augmentez la quantité de détergent au besoin pour atteindre la quantité minimale nécessaire pour laver correctement votre vaisselle.

Utilisez les lignes graduées du godet du distributeur de détergent comme guide pour mesurer la quantité de détergent recommandée au **tableau 1**.

Ajout de détergent

- 1 c. à soupe (15 ml) nettoie la plupart des charges (voir la **Figure 5**).
- Ne pas utiliser plus de 3 c. à soupe (45 ml).
- Ne pas trop remplir le distributeur de détergent.
- Si vous utilisez des pastilles de détergent, posez-les à plat pour éviter qu'elles n'entrent en contact avec le couvercle.

Fermeture

- Placer le doigt comme indiqué à la **Figure 6**.
- Faire coulisser le couvercle complètement vers la gauche.
- Pousser l'arrière du couvercle vers le bas, fermement, jusqu'à ce que celui-ci s'enclenche.

Ouverture

- Pour ouvrir le couvercle, appuyer sur le bouton bleu vers l'intérieur (et non pas vers le bas) comme indiqué à la **Figure 7**.
- Le couvercle s'ouvrira.

Tableau 1 - Quantité de détergent recommandée

Programme de lavage	Eau dure/ Saletés importantes	Eau moyenne/ Saletés moyennes	Eau douce/ Saletés légères/ avec option demi-charge
Pots & Pans	45ml (3tbsp)	45ml (3tbsp)	25-45ml (1.75-3tbsp)
Auto	25-45ml (1.75-3tbsp)	25ml (1.75tbsp)	15-25ml (1-1.75tbsp)
Hand Wash	25ml (1.75tbsp)	15-25ml (1-1.75tbsp)	15ml (1tbsp)
Normal	25-45ml (1.75-3tbsp)	25ml (1.75tbsp)	15-25ml (1-1.75tbsp)
Quick	25ml (1.75tbsp)	15-25ml (1-1.75tbsp)	15ml (1tbsp)
Half Load	25ml (1.75tbsp)	15-25ml (1-1.75tbsp)	15ml (1tbsp)

Figure 5

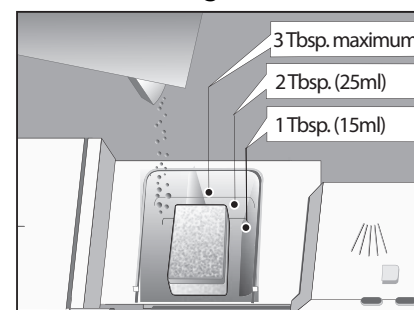


Figure 6

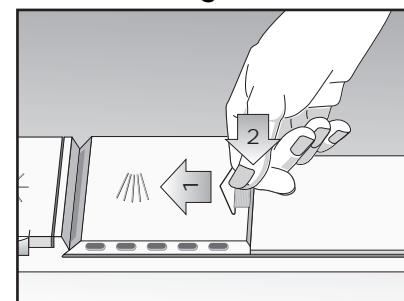
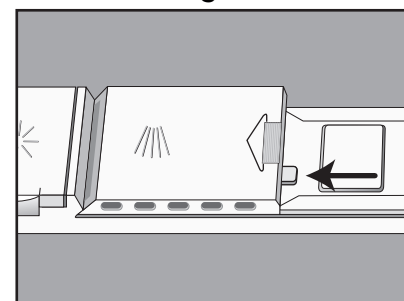


Figure 7



Agent de rinçage

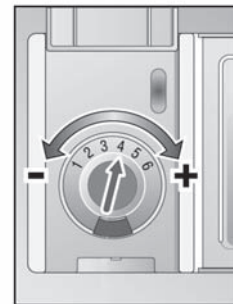
Pour obtenir un séchage adéquat, toujours utiliser un agent de rinçage liquide, même si votre détergent contient déjà un agent de rinçage ou un adjuvant de séchage.

Remarque : Le lave-vaisselle indique le manque d'agent de rinçage en allumant le témoin indicateur Agent de rinçage. Si ce témoin est allumé, vous devez remplir le distributeur d'agent de rinçage en suivant les consignes ci-dessous.

Ajout de l'agent de rinçage

Ouvrir le réservoir de l'agent de rinçage et ajouter le liquide de rinçage dans le distributeur en versant sur la flèche. Tourner la flèche pour régler la quantité d'agent de rinçage à utiliser (voir la **Figure 8**). Essuyer tout débordement d'agent de rinçage pouvant se produire lorsque le réservoir est plein. Le voyant s'éteindra quelques instants après la fermeture de la porte du lave-vaisselle.

Figure 8



Pour réduire les films d'eau sur le verre

Pour réduire les taches sur le verre

Programmes et options du lave-vaisselle

Programmes de lavage

Pots & Pans*: donne les meilleurs résultats pour éliminer les aliments collés ou la graisse. Habituellement, on doit faire tremper cette vaisselle.

Auto: grâce à notre dispositif très complexe de détection du degré de saleté, ce programme est idéal pour les charges mixtes avec des quantités de saletés alimentaires variables. Ce programme est le plus souple et un choix excellent pour tous les jours.


Hand Wash: pour la vaisselle délicate ou ancienne ainsi que l'argenterie ou autres pièces spéciales. Toujours s'assurer que les articles sont lavables au lave-vaisselle. Se reporter à la section Matériaux de la vaisselle du présent guide pour des renseignements supplémentaires. Le lavage à la main reste parfois la meilleure façon de laver ce type d'articles.

Normal: permet de laver parfaitement une pleine charge de vaisselle normalement sale.

Remarque : l'Étiquette du Guide d'Énergie a été établie en fonction de ce programme de détection de la saleté avec toutes les options disponibles désactivées. Conformément à la procédure d'essai d'énergie, l'appareil a été testé sans verser un agent de rinçage dans le distributeur. Une seule dose de détergent a été utilisée dans le distributeur de détergent et aucun détergent n'a été utilisé pendant la phase de pré-lavage. L'essai a été effectué avec le panier supérieur en position abaissée.

Quick: permet de laver la vaisselle légèrement sale et réduit la durée totale de lavage. Utiliser ce programme pour laver les verres et les assiettes à dessert devant être réutilisées au cours du même événement.

Half Load: permet de diminuer la consommation d'énergie et d'eau lorsque vous lavez une petite quantité de vaisselle légèrement sale qui n'utilise environ que la moitié de la capacité du lave-vaisselle.

* Lorsque ce voyant s'allume au panneau de contrôle , cela indique que la vaisselle et les articles de cuisines ont été lavés de façon sanitaire selon la norme de la fondation sanitaire nationale (NSF). Pour plus de détails, voir la rubrique Information sur le programmes de lavage dans ce guide.

Wash Cycle Options

Delay Start: cette option vous permet de retarder l'heure de mise en marche de votre lave-vaisselle jusqu'à 19 heures.

ExtraDry: Utilisé en combinaison avec un cycle de lavage, l'option ExtraDry élève la température et prolonge le temps de séchage pour améliorer encore les résultats de séchage.

PowerBoost®: Combine la pression d'eau puissants avec la température d'eau accrue pour offrir le nec plus ultra de la performance devoir laver lourds dans le lave-vaisselle.

Informations sur les programmes de lavage

Remarque : afin d'économiser de l'énergie, ce lave-vaisselle est équipé d'un dispositif de contrôle intuitif « Smart Control » dont les capteurs règlent automatiquement la durée du programme, la température et les changements d'eau en fonction du degré de saleté et de la température de l'eau entrante. Le dispositif de contrôle intuitif ajuste la durée du programme et la quantité d'eau utilisée de façon intermittente. **Les durées de programmes de lavage sont fonction d'une température de l'eau d'alimentation de 120 °F (48,8 °C).** Si la température de l'eau d'alimentation de votre résidence est différente de 120 °F (48,8 °C), le temps de chauffage de votre lave-vaisselle pourraient être touchés.

Tableau 2 - Informations sur les programmes de lavage

	Pots & Pans	Auto	Normal	Hand Wash	Quick	Half Load
durée du programme	135 min	95-119 min	115 min	80 min	30 min	99 min
consommation d'eau	23.2-27.4 L 6.1-7.2 gal	10.4-22.5 L 2.7-5.9 gal	8.9-18.3L 2.4-4.8 gal	13.1 L 3.5 gal	13.1 L 3.5 gal	14.1-18.3 L 3.7-4.8 gal
température de l'eau	66-72°C 151-162°F	55-72°C 126-162°F	50-69°C 122-156°F	50°C 122°F	45-72°C 113-162°F	55-72°C 126-162°F
température de rinçage	72°C 162°F	65-72°C 156-162°F	45-69°C 113-156°F	69°C 156°F	50°C 122°F	72°C 162°F

Extra Dry	NSF certified	NSF certified	NSF certified			NSF certified
durée du programme	135-150 min	120-145 min	115-140 min	105-125 min	60 min	125 min
consommation d'eau	23.6-27.8 L 6.2-7.3 gal	8.4-21.9 L 2.2-5.8 gal	7.7-18.5 L 2.0-4.9 gal	11.5-17.7 L 3.0-4.7 gal	12.5 L 3.3 gal	14.3-18.5 L 3.8-4.9 gal
température de rinçage	72°C 162°F	72°C 162°F	72°C 162°F	72°C 162°F	72°C 162°F	72°C 162°F

PowerBoost™	NSF certified					
durée du programme	135-150 min	110-135 min	105-130 min	95-115 min	n/a	115 min
consommation d'eau	23.6-27.8 L 6.2-7.3 gal	8.4-21.9 L 2.2-5.8 gal	7.7-18.5 L 2.0-4.9 gal	11.5-17.7 L 3.0-4.7 gal	n/a	14.3-18.5 L 3.8-4.9 gal
température de rinçage	72°C 162°F	65-72°C 149-162°F	51-69°C 124-156°F	67°C 153°F	n/a	72°C 162°F

Remarque : seuls les programmes sanitaires sont prévus pour satisfaire aux exigences de niveau 6 en matière d'efficacité d'élimination des saletés et de désinfection. Il n'existe aucune intention, directe ou indirecte, que tous les programmes aient réussi les tests de performance en désinfection.

Fonctionnement du lave-vaisselle

Démarrez le lave-vaisselle :

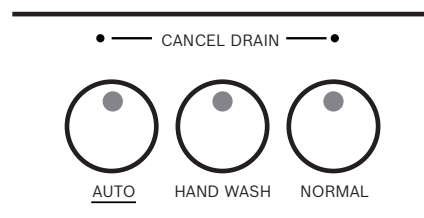
- 1 Ouvrez la porte et appuyez sur la touche **On/Off** (Marche/Arrêt).
- 2 Sélectionnez un programme et les options voulues.
- 3 Fermez la porte pour que le programme démarre.

Mise en marche différée :

- 1 Ouvrez la porte et appuyez sur la touche **On/Off**. Sélectionnez un programme.
- 2 Appuyez sur la touche **Delay Start** (Mise en marche différée) et maintenez-la enfoncée. Relâchez cette touche lorsque le délai d'attente souhaité est affiché sur la fenêtre de l'écran.
- 3 Fermez la porte pour faire démarrer le programme.

Pour annuler un programme :

- 1 Ouvrez la porte du lave-vaisselle juste assez pour exposer le panneau de commande. Faites attention à l'eau qui risque de jaillir hors du lave-vaisselle
- 2 Appuyez sur les deux touches **Cancel Drain** et maintenez-les enfoncées pendant 3 secondes.
- 3 Fermez la porte et patientez environ 1 minute pour que le lave-vaisselle puisse se vidanger.
- 4 Ouvrez la porte et appuyez sur la touche **On/Off**. Vous pouvez maintenant lancer un nouveau programme.



AVERTISSEMENT

Si vous laissez l'eau jaillir hors du lave-vaisselle, vous risquez de vous brûler gravement. SOYEZ VIGILANT EN OUVRANT LA PORTE pendant le déroulement d'un programme de lavage ou de rinçage. Ne pas ouvrir la porte entièrement tant que l'eau ne s'est pas arrêtée de couler.

Pour interrompre un programme :

- 1 Ouvrez la porte du lave-vaisselle juste assez pour exposer le panneau de commande. Faites attention à l'eau qui risque de jaillir hors du lave-vaisselle.
- 2 Appuyez sur la touche **On/Off** pour éteindre l'appareil.
- 3 Patientez au moins 10 secondes avant d'ouvrir entièrement la porte du lave-vaisselle.
- 4 Pour poursuivre le programme, appuyez sur la touche **On/Off** et fermez la porte du lave-vaisselle.

Extra Dry Heat (Chaleur très intense) :

- 1 Appuyez sur la touche **Auto** et maintenez-la enfoncée, puis appuyez sur la touche **On/Off** et maintenez celle-ci enfoncée.
- 2 Lorsque la fenêtre d'affichage DEL indique « 0 » ou « 1 », relâchez les deux touches.
- 3 Pour activer l'option Extra Dry Heat (Chaleur très intense), appuyez sur la touche **Auto** jusqu'à ce que l'écran indique « 1 ».
- 4 Pour désactiver l'option Extra Dry Heat (Chaleur très intense), appuyez sur la touche **Auto** jusqu'à ce que l'écran indique « 0 ».
- 5 Appuyez sur la touche **On/Off** pour enregistrer le paramètre.

Signal de fin de programme:

Le signal de fin de programme vous indique que le programme est terminé et que la vaisselle est propre et sèche. Vous pouvez désactiver le signal sonore ou ajuster le volume de ce signal.

REMARQUE : l'appareil doit être mis à l'arrêt (OFF) avant l'activation.

Pour activer :

- 1 Appuyez sur le bouton de droite **Cancel Drain** et maintenez-le enfoncé, puis appuyez et maintenez enfoncé le bouton **On/Off**.
- 2 Lorsque le voyant du bouton **Cancel Reset** sur lequel vous appuyez s'allume et que le signal sonore s'arrête, relâchez les deux boutons.
- 3 Appuyez sur le bouton **Cancel/Reset**, à l'extrême droite, jusqu'à ce que vous obteniez le volume sonore désiré ou jusqu'à ce qu'aucun son ne soit audible (réduction maximale du son).
- 4 Appuyez sur le bouton **On/Off**. Le paramètre est sauvegardé.

Nettoyage et entretien

Opérations d'entretien

Certaines parties du lave-vaisselle nécessitent un entretien occasionnel. Les opérations d'entretien sont faciles à effectuer et permettent d'obtenir continuellement un excellent rendement de votre lave-vaisselle.

Nettoyage des débordements et des éclaboussures

De l'eau peut parfois jaillir de votre lave-vaisselle, surtout si vous interrompez un programme ou ouvrez la porte pendant le déroulement d'un programme. Pour éviter d'endommager le plancher et la formation d'éventuelles moisissures, ne laissez aucune trace d'eau sur le sol adjacent au lave-vaisselle ou sous celui-ci.

Nettoyage de l'intérieur de la cuve et de la porte en acier inoxydable

Nettoyez régulièrement les rebords extérieurs du panneau de porte intérieur afin d'éliminer les débris qui peuvent s'y loger par suite du chargement normal de votre lave-vaisselle. Si des taches commencent à apparaître sur l'acier inoxydable, vérifiez le niveau de l'agent de rinçage et qu'il se déverse normalement.

Inspection et nettoyage des embouts des bras gicleurs

Déposez le bras gicleur supérieur en enlevant tout d'abord le panier supérieur vide du lave-vaisselle.

Renversez le panier. Le bras gicleur supérieur est maintenu en place à l'aide d'un écrou de blocage comme indiqué à la **Figure 9**. Faites tourner l'écrou de blocage dans le sens antihoraire et enlevez-le pour dégager le bras gicleur. Vérifiez la présence d'obstructions dans les embouts du bras gicleur. Si ces derniers ont besoin d'être nettoyés, rincez-les à l'eau courante.

Pour remettre en place le bras gicleur supérieur, remettez-le dans sa position initiale et remettez l'écrou de blocage en place. Tournez l'écrou de blocage dans le sens horaire et serrez-le à fond. Remettez le panier supérieur en place sur les glissières à galets.

Déposez le bras gicleur inférieur en enlevant tout d'abord le panier inférieur vide du lave-vaisselle. Saisissez et soulevez le bras gicleur comme indiqué à la **Figure 10**. Vérifiez la présence d'obstructions dans les embouts du bras gicleur. Si ces derniers ont besoin d'être nettoyés, rincez-les à l'eau courante.

Figure 9

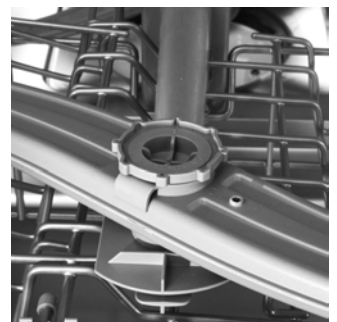


Figure 10



Pour remettre en place le bras gicleur inférieur, remettez-le dans sa position d'installation et appuyez dessus jusqu'à ce qu'il s'enclenche. Remettez le panier inférieur dans sa position d'installation.

Inspection et nettoyage du système de filtration

Le système de filtration est constitué d'un ensemble crépine de filtrage des gros déchets/filtre cylindrique, d'un filtre fin et d'un micro-filtre. Ce système se situe à l'intérieur de votre lave-vaisselle sous le panier inférieur et il est facile d'y accéder. Dans le cadre d'une utilisation normale du lave-vaisselle, le système de filtration se nettoie automatiquement. Inspectez de temps à autre le système de filtration pour déceler la présence de corps étrangers et, au besoin, nettoyez-le.

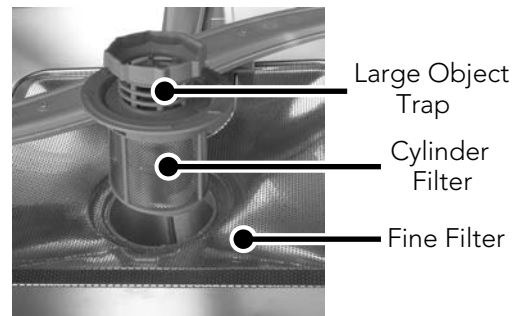


Figure 11

⚠ MISE EN GARDE

Pour éviter toute blessure, ne pas glisser les doigts dans la crépine de filtrage des gros déchets.

Pour déposer la crépine de filtrage des gros déchets, enlevez tout d'abord le panier inférieur. Saisissez l'ensemble et tournez-le dans le sens antihoraire. Soulevez l'ensemble et sortez-le. Examinez soigneusement l'ensemble. Si vous apercevez des corps étrangers dans la crépine de filtrage des gros déchets, retournez-la et secouez-la pour en faire tomber les déchets.

Enlevez le micro-filtre comme indiqué à la **Figure 12**.

Rincez le micro-filtre et le filtre fin en les maintenant sous l'eau courante.

Pour remettre le système de filtration en place, remettez le micro-filtre dans sa position d'installation. Mettez l'ensemble crépine de filtrage des gros déchets/filtre cylindrique et le filtre fin dans leur position d'installation. Vissez l'écrou de blocage dans le sens horaire jusqu'à ce qu'il soit bloqué. La flèche de l'anneau et la flèche du filtre fin doivent être orientées l'une vers l'autre.

Nettoyage du panneau de porte extérieur

Portes avec panneaux de couleur : utilisez uniquement un chiffon doux humecté d'eau savonneuse.

Portes en acier inoxydable : utilisez un chiffon doux et un produit d'entretien non abrasif (un vaporisateur liquide de préférence) spécialement conçu pour le nettoyage de l'acier inoxydable. Pour de meilleurs résultats, appliquez le produit d'entretien pour acier inoxydable sur le chiffon, puis essuyez la surface.

Nettoyage du joint de porte

Nettoyez régulièrement le joint de porte avec un chiffon humide afin d'éliminer les particules alimentaires et autres débris. Nettoyez également le joint de porte situé à l'intérieur du lave-vaisselle au bas de la porte.

Préparation de votre appareil pour l'hiver

Si votre lave-vaisselle n'est pas utilisé pendant une longue période de temps dans une région où sévissent des températures glaciales (p. ex. une maison de vacances ou lors d'une période de congés), demandez à un service professionnel autorisé d'assurer l'entretien pré-hivernal de l'appareil. Coupez l'alimentation en eau du lave-vaisselle lors de vacances prolongées ou si vous ne devez pas utiliser l'appareil pendant 1 mois ou plus.

Aide automatique

Les lave-vaisselle peuvent parfois poser des problèmes qui ne sont pas liés à un mauvais fonctionnement de l'appareil lui-même. Les informations suivantes peuvent vous aider à résoudre un problème que vous pose le lave-vaisselle sans avoir recours à un technicien de réparation professionnel.

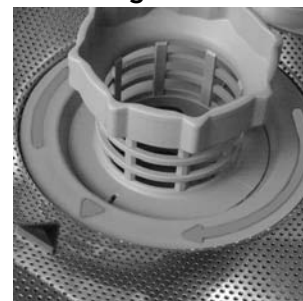


Figure 12



Micro Filter

Problème	Cause	Action à prendre
Le lave-vaisselle ne se met pas en marche	<ol style="list-style-type: none"> 1. La porte est peut-être mal enclenchée. 2. L'appareil n'est peut-être pas allumé. 3. La machine n'a pas été réinitialisée ou le programme précédent n'est pas terminé. 4. La mise en marche différée est activée. 5. Interruption de l'alimentation électrique du lave-vaisselle ou fusible ayant sauté. 6. La porte a peut-être été fermée avant d'avoir choisi le programme. 7. Le robinet d'alimentation en eau n'est peut-être pas ouvert. 	<ol style="list-style-type: none"> 1. Fermez complètement la porte. 2. Appuyez sur le commutateur principal pour allumer la machine. 3. Pour réinitialiser la machine, reportez-vous à la section de ce guide intitulée « Annulation ou modification du programme ». 4. Pour réinitialiser la machine, reportez-vous à la section de ce guide intitulée « Mise en marche différée ». 5. Vérifiez le disjoncteur. 6. Sélectionnez un programme et fermez la porte. 7. Vérifiez et ouvrez le robinet d'alimentation en eau.

Problème	Cause	Action à prendre
Le lave-vaisselle émet un bip sonore (signal de fin de programme)	1. Les paramètres usine par défaut avertissent l'utilisateur que le programme de lavage est terminé en émettant un bip sonore. Cette fonction peut être désactivée au besoin.	1. Pour régler le volume sonore ou désactiver cette fonction, reportez-vous à la section de ce guide intitulée « Signal de fin de programme ».
L'afficheur ne s'allume pas	1. Un fusible a peut-être sauté ou le disjoncteur s'est déclenché. 2. La porte est mal fermée ou mal enclenchée. Remarque : pour les modèles équipés de commandes situées sur la partie supérieure de la porte, l'afficheur ne s'allume que lorsque la porte est ouverte et les commandes sont visibles.	1. Vérifiez le fusible ou le boîtier de disjoncteurs et remplacez le fusible ou réarmez le disjoncteur le cas échéant. 2. Assurez-vous que la porte est correctement enclenchée et complètement fermée.
Le programme de lavage semble durer trop longtemps	1. L'eau qui alimente le lave-vaisselle n'est pas assez chaude. 2. La durée du programme peut varier en fonction de la saleté de la vaisselle et de la qualité de l'eau. 3. Le distributeur de produit de rinçage est vide. 4. Le lave-vaisselle est branché sur une conduite d'eau froide. Remarque : reportez-vous à la section de ce guide intitulée « Informations sur les programmes de lavage » pour obtenir la durée de programme type.	1. Avant de démarrer un programme, faites couler le robinet d'eau chaude de l'évier le plus proche du lave-vaisselle. 2. Les capteurs du lave-vaisselle augmentent automatiquement la durée du programme pour une vaisselle bien propre en cas de détection d'une quantité importante de saletés sur la vaisselle. 3. Versez le produit de rinçage dans le distributeur. 4. Vérifiez que le lave-vaisselle est bien raccordé à la tuyauterie d'arrivée d'eau chaude.
La vaisselle est mal lavée	1. Quelque chose empêche le bras de lavage de tourner. 2. Quelque chose bouche les jets du bras d'aspersion. 3. Mauvaise utilisation des détergents. 4. Les filtres sont peut-être bouchés. 5. Les pièces de vaisselle sont imbriquées les unes dans les autres ou disposées trop près les unes des autres. 6. Le programme de lavage choisi ne convient pas aux conditions de saleté de la vaisselle.	1. Assurez-vous que le mouvement de rotation des bras d'aspersion n'est pas bloqué en faisant pivoter ces derniers à la main. 2. Retirez les bras d'aspersion et nettoyez-les en suivant les consignes du paragraphe figurant dans la section de ce guide intitulée « Nettoyage et entretien ». 3. Augmentez ou diminuez la quantité de détergent selon la dureté de l'eau. Reportez-vous au tableau 1. 4. Nettoyer les filtres. Reportez-vous la section de ce guide intitulée « Nettoyage et entretien ». 5. Changez la disposition de la vaisselle afin que le jet d'eau puisse asperger correctement toutes les pièces. Reportez-vous également la section de ce guide intitulée « Chargement de la vaisselle ». 6. Reportez-vous également à « Programme de lavage » dans la section de ce guide intitulée « Fonctionnement du lave-vaisselle ».
La vaisselle n'est pas bien sèche	1. Le distributeur de produit de rinçage est vide. (Le voyant du produit de rinçage est activé). 2. Mauvais chargement de la vaisselle. 3. Le programme choisi ne comprend pas le séchage. Remarque : en général, les ustensiles en plastique et en Téflon ne sèchent pas aussi bien que d'autres ustensiles en raison des propriétés inhérentes à ces types de matériaux.	1. Versez le produit de rinçage dans le distributeur. L'utilisation d'un produit de rinçage améliore le séchage. 2. Changez la disposition de la vaisselle pour veiller à ce que les articles ne soient pas imbriqués les uns dans les autres. Reportez-vous également à la section de ce guide intitulée « Chargement de la vaisselle ». 3. Le paramètre Rinçage et attente ne comprend pas de programme de séchage.
Odeur	1. Des déchets alimentaires se sont accumulés au fond du lave-vaisselle. 2. Des particules d'aliments se sont accumulées près du joint d'étanchéité de la porte. 3. La vaisselle est restée trop longtemps dans le lave-vaisselle avant le lancement d'un programme. 4. De l'eau résiduelle s'est accumulée au fond du lave-vaisselle. 5. Le tuyau de vidange est obstrué.	1. Retirez les filtres et nettoyez-les conformément à la section de ce guide intitulée « Nettoyage et entretien ». 2. Reportez-vous à « Nettoyage et entretien » dans la section de ce guide. 3. Si vous n'avez pas l'intention de laver la vaisselle immédiatement, lancez le programme Rinse/Hold (Rinçage/Attente). 4. Assurez-vous que l'opération de vidange du programme précédent est complètement terminée. 5. Pour éliminer les objets pouvant obstruer le tuyau de vidange, faites appel à un personnel qualifié. Remarque : si les problèmes d'odeur persistent, lancez le programme de lavage Normal/Regular (Normal) jusqu'au rinçage puis interrompez le programme et versez une tasse de 255 ml (8 oz) de vinaigre blanc distillé sur le panier supérieur. Terminez ensuite le programme.
Le lave-vaisselle ne se remplit pas d'eau	1. Obstruction au niveau du réseau d'alimentation en eau. 2. Le programme de lavage précédent n'est pas terminé. 3. La fonction de mise en marche différée est activée. 4. L'alimentation en eau domestique est coupée	1. Assurez-vous que le robinet d'arrivée d'eau (en général situé sous l'évier de la cuisine) est ouvert et vérifiez que la conduite d'alimentation n'est ni pliée ni bouchée. 2. Reportez-vous à la section de ce guide intitulée « Fonctionnement du lave-vaisselle ». 3. Annulez la mise en marche différée ou attendez que la période de mise en marche différée soit terminée ou que ce délai expire. 4. Ouvrez l'alimentation en eau domestique

Problème	Cause	Action à prendre
Fuites d'eau	<ol style="list-style-type: none"> 1. Mousse 2. Le joint d'étanchéité peut être sorti de la rainure. 3. L'évent de condensation est bloqué. 4. Mauvaise installation. 	<ol style="list-style-type: none"> 1. Les détergents inadéquats ont tendance à produire de la mousse et à provoquer des fuites. Utilisez uniquement des détergents pour lave-vaisselle. Si le problème de mousse persiste, mettez une cuillère à soupe d'huile végétale au fond du lave-vaisselle et lancez le programme voulu. 2. Assurez-vous que le joint d'étanchéité est bien inséré dans la rainure. 3. Assurez-vous que l'évent de condensation n'est pas bloqué. 4. Faites vérifier l'installation par un personnel qualifié (alimentation en eau, système de vidange, mise à niveau, tuyauterie).
Taches apparaissant dans la cuve	<ol style="list-style-type: none"> 1. Les taches qui se forment à l'intérieur du lave-vaisselle sont dues à la dureté de l'eau. 2. Les couverts sont en contact avec les parois de la cuve. 	<ol style="list-style-type: none"> 1. L'emploi de jus de citron concentré peut réduire l'accumulation de taches d'eau dure. Lancez un programme de lavage normal jusqu'au rinçage puis interrompez le programme et versez une tasse de 250 ml (8 oz. liq.) de citron concentré sur le panier supérieur. Terminez ensuite le programme. Ceci peut être fait périodiquement pour prévenir l'accumulation de taches. 2. Assurez-vous que les couverts n'entrent pas en contact avec les parois de la cuve pendant le déroulement d'un programme.
Apparition de films d'eau sur les verres ou de résidus sur la vaisselle	<ol style="list-style-type: none"> 1. Mauvais dosage du produit de rinçage. 	<ol style="list-style-type: none"> 1. Réglez le distributeur du produit de rinçage en fonction de la dureté de l'eau. Pour des informations sur le dosage, reportez-vous à la section de ce guide intitulée « Ajout de détergent et de produit de rinçage ».
Le panneau avant est décoloré ou rayé	<ol style="list-style-type: none"> 1. Vous avez utilisé un produit d'entretien abrasif 	<ol style="list-style-type: none"> 1. Utilisez des détergents non abrasifs et un linge humide doux.
Fonctionnement bruyant pendant le déroulement du programme de lavage	<ol style="list-style-type: none"> 1. La vaisselle n'est pas correctement disposée. 	<ol style="list-style-type: none"> 1. Les sons correspondant à la circulation de l'eau sont normaux, mais si vous soupçonnez que des pièces de vaisselle se cognent entre elles ou touchent les bras d'aspersion, reportez-vous à la section du présent guide intitulée « Préparation et chargement de la vaisselle » pour connaître la disposition optimale de la vaisselle.
Le couvercle du distributeur de détergent ne se ferme pas	<ol style="list-style-type: none"> 1. Mauvais fonctionnement du couvercle du distributeur de détergent. 2. Le programme précédent n'est pas terminé ; réinitialisation ou interruption du programme. 	<ol style="list-style-type: none"> 1. Reportez-vous à la section de ce guide intitulée « Ajout de détergent et de produit de rinçage » pour des instructions sur l'ouverture et la fermeture du distributeur. 2. Reportez-vous à la section de ce guide intitulée « Annulation ou modification du programme ».
Impossible de sélectionner le programme voulu	<ol style="list-style-type: none"> 1. Le programme précédent n'est pas terminé 	<ol style="list-style-type: none"> 1. Reportez-vous à la section de ce guide intitulée « Annulation ou modification du programme ».

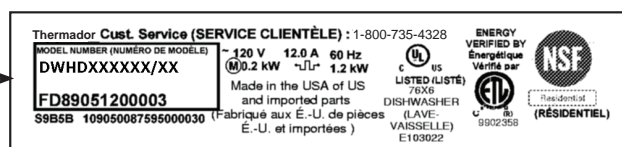
Service après-vente

Le lave-vaisselle Thermador ne requiert aucun autre entretien que celui décrit à la rubrique entretien. Si le lave-vaisselle présente un problème, avant d'effectuer un appel de service, consulter la rubrique aide. Si un service est nécessaire, communiquer avec le marchand ou l'installateur ou un centre de service autorisé. Ne pas tenter de réparer l'appareil. Tout service effectué par une personne non qualifiée peut annuler la garantie.

Si l'on éprouve des problèmes avec le lave-vaisselle Thermador, et que le service n'est pas satisfaisant, suivre les étapes ci-dessous (dans l'ordre donné) jusqu'à ce que le problème soit corrigé de façon satisfaisante:

- 1 Téléphoner au 1-800-735-4328
- 2 Communiquer avec le service à la clientèle du site : www.thermador.com (USA) or www.thermador.ca (Canada)
- 3 Communiquer avec l'installateur ou un centre de service autorisé Thermador dans la région.

S'assurer d'inclure l'information du modèle indiquée ci-dessous ainsi qu'une explication du problème et de la date du début. Les numéros de modèle et de série sont situés sur la plaque signalétique, coin droit de la porte du lave-vaisselle, figure ci-dessus.



Informations concernant la garantie

Couverture de la garantie : la garantie limitée fournie par BSH Home Appliances Corporation (« BSH ») dans cet énoncé de garantie limitée s'applique seulement aux lave-vaisselle Thermador (« produit ») vendu au premier acheteur, en autant que le produit ait été acheté : 1) pour une utilisation normale résidentielle (non commerciale), et qu'en fait en tout temps a été utilisé pour un usage domestique normal ; 2) nouveau au détail (non en montre, tel quel ou un retour), qu'il n'est pas destiné à la revente ni à un usage commercial et 3) aux États-Unis ou au Canada et qu'il est demeuré en tout temps dans le pays où l'appareil a été acheté. Les garanties données ici s'appliquent seulement au premier acheteur du produit et ne sont pas transférables.

- S'assurer de retourner la carte d'enregistrement ; quoiqu'elle n'est pas nécessaire pour la couverture de garantie, cela permet à BSH de communiquer avec l'utilisateur dans l'éventualité où il y aurait un problème de sécurité ou un rappel de produit.

Durée de la garantie: BSH garantit que le produit ne présente aucun défaut de matériaux ou de fabrication pour une période de trois-cent-soixante-cinq (365) jours (1 an) à compter de la date d'achat. La durée commence à la date d'achat et ne sera pas allongée, prolongée, interrompue pour quelle que raison que ce soit. Les frais de main-d'oeuvre et d'expédition sont compris dans la couverture de base.

Garantie limitée prolongée: BSH offre également ces garanties limitées additionnelles:

- **Garantie limitée de 2 ans:** BSH réparera ou remplacera tout composant ayant un défaut de matériaux ou de fabrication (excluant les frais de main-d'oeuvre).
- **Garantie limitée de 5 ans sur les pièces électroniques:** BSH réparera ou remplacera tout microprocesseur ou panneau de circuits imprimés Thermador présentant un défaut de matériaux ou de fabrication (excluant les frais de main-d'oeuvre).
- **Garantie limitée de 5 ans sur les paniers:** BSH remplacera le panier supérieur ou inférieur (excluant les composants du panier), si le panier présente un défaut de matériaux ou de fabrication (excluant les frais de main-d'oeuvre).
- **Garantie à vie contre la perforation de l'acier inoxydable causée par la rouille:** BSH remplacera le lave-vaisselle par le même modèle ou un modèle semblable, équivalent ou mieux, si la doublure intérieure présente une perforation par la rouille (excluant les frais de main-d'oeuvre). BSH remplacera la porte en acier inoxydable si elle présente des perforations par la rouille (excluant les frais de main-d'oeuvre).

La durée commence à la date d'achat et ne sera pas allongée, prolongée, interrompue pour quelle que raison que ce soit. Les frais de main-d'oeuvre et d'expédition sont compris dans la couverture de base.

Réparation ou remplacement comme solution exclusive: pendant la période de garantie, BSH ou un de ses centres de service autorisés réparera le produit sans frais (sujet à certaines limitations indiquées dans le présent document), si le produit présente un défaut de fabrication ou de matériaux. Si des tentatives raisonnables pour réparer le produit sont vaines, alors BSH remplacera le produit (un modèle supérieur peut être disponible, à la seule discrétion de BSH, moyennant des frais additionnels). Toutes les pièces ou les composants enlevés demeurent la seule propriété de BSH. Toute pièce et tout composant réparés doit être identique à la pièce d'origine à des fins de cette garantie et la garantie ne sera pas prolongée en regard de telles pièces. La seule responsabilité de BSH est de faire réparer le produit défectueux par un centre de service autorisé pendant les heures d'affaires normales. Pour la sécurité et éviter des dommages à la propriété, BSH recommande fortement de ne pas réparer le produit soi-même, par une personne non qualifiée ; BSH ne sera pas tenu responsable des réparations ou du travail effectué par une personne non autorisée. Si le consommateur désire faire réparer par une personne autre qu'une personne autorisée, CETTE GARANTIE EST AUTOMATIQUEMENT NULLE ET NON AVENUE. Les centres de service autorisés sont les personnes ou les compagnies qui ont été spécialement formées sur les produits BSH et qui possèdent, selon l'opinion de BSH, une réputation supérieure pour le service à la clientèle et la capacité technique (il est à noter qu'elles sont des entités indépendantes et non des agents, partenaires, affiliations ou représentants de BSH). Nonobstant ce qui suit, BSH ne sera pas tenu responsable d'aucune façon si le produit est situé dans une région éloignée (supérieure à 100 miles d'un centre de service autorisé) ou n'est pas accessible de façon raisonnable, dans un environnement hasardeux, dangereux ; dans une telle éventualité, à la demande du consommateur, BSH pourrait payer les frais de main-d'oeuvre et de pièces et expédier les pièces à un centre de service autorisé le plus près, mais le consommateur serait entièrement responsable pour toute durée de déplacement et autres frais spéciaux encourus par le centre de service, en autant qu'il accepte l'appel de service.

Produit hors garantie: BSH n'a aucune obligation, par loi ou autre, d'offrir toute concession, incluant réparation, prorata ou remplacement de produit une fois la garantie expirée.

Exclusions à la garantie: la garantie décrite dans le présent document exclut tout défaut ou dommage non directement relié à BSH, incluant sans limitation, un ou plusieurs de ce qui suit : 1) utilisation du produit autre qu'un usage normal, habituel et de la façon destinée (incluant sans limitation toute forme d'utilisation commerciale, d'utilisation ou de rangement d'un produit pour l'intérieur à l'extérieur, utilisation du produit de concert avec un transporteur aérien ou marin) ; 2) mauvaise conduite, négligence, mauvaise utilisation, abus, accidents, fonctionnement inadéquat, mauvais entretien, installation inadéquate ou négligente, altération, manquement d'observer les instructions de fonctionnement, mauvaise manipulation, service non autorisé (incluant réparation par le consommateur ou exploration du fonctionnement interne du produit) ; 3) ajustement, modification ou altération de toute sorte ; 4) manquement à la conformité des normes applicables fédérales, provinciales, municipales ou électrique du pays, codes de plomberie et/ou de construction, réglementation ou lois, incluant le manquement d'installer le produit en stricte conformité avec les codes et réglementations de construction et d'incendie locaux ; 5) usure ordinaire, déversements d'aliments, liquide, accumulation de graisse ou autres substances accumulées dans, sur ou autour du produit ; et 6) toute force ou tout facteur externe, élémentaire et/ou environnemental, incluant sans limitation, pluie, vent, sable, inondation, incendie, coulée de boue, gel, humidité excessive et exposition prolongée à l'humidité, foudre, surtension, problème de structure autour de l'appareil et actes de Dieu. En aucun cas, BSH ne sera tenu responsable des dommages survenus à la propriété, incluant les armoires, planchers, plafonds et autres objets ou structures autour du produit. Également exclus de la garantie, égratignures, encoches, enfoncement et dommages esthétiques sur les surfaces externes ou les pièces exposées ; produit sur lequel le numéro de série a été modifié, altéré, effacé, enlevé ; appel de service pour enseigner le fonctionnement du produit ou les visites où il n'y a aucun problème avec le produit ; correction de problèmes d'installation (le consommateur est seul responsable pour toute structure et tout réglage du produit, incluant l'électricité, la plomberie et autres connexions nécessaires, pour un plancher/fondation appropriée, et pour toute modification incluant, sans limitation, armoire, mur, plancher, tablette, etc.) et la remise de coupe-circuit ou remplacement de fusible.

SELON LA PORTÉE PERMISE PAR LA LOI, CETTE GARANTIE DONNE DES SOLUTIONS EXCLUSIVE RELATIVEMENT AU PRODUIT, QUE LA RÉCLAMATION SURVIENNE PAR CONTRAT OU TORT (INCLUANT RESPONSABILITÉ STRICTE OU NÉGLIGENCE) OU AUTRE. CETTE GARANTIE EST EN LIEU DE TOUTE AUTRE GARANTIE, EXPRESSE OU IMPLICITE, TOUTE GARANTIE PAR LOI, À DES FINS DE COMMERCIALISATION OU À DES FINS PARTICULIÈRES, OU AUTRE, SERA EN VIGUEUR SEULEMENT POUR LA PÉRIODE EFFECTIVE DE LA GARANTIE LIMITÉE EXPRESSE. EN AUCUN CAS, LE FABRICANT NE PEUT ÊTRE TENU RESPONSABLE DES DOMMAGES ACCESSOIRES, SPÉCIAUX, INDIRECTS, PERTES D'AFFAIRES, ET/OU DOMMAGES PUNITIFS, PERTES, FRAIS INCLUANT SANS LIMITATION LE MANQUEMENT AU TRAVAIL, REPAS À L'HÔTEL ET/OU AU RESTAURANT, FRAIS DE REMODELAGE SURVENUS À CAUSE DE DOMMAGES DIRECTS DÉFINITIVEMENT CAUSÉS EXCLUSIVEMENT PAR BSH OU AUTRE. CERTAINS ÉTATS NE PERMETTENT PAS L'EXCLUSION OU LA LIMITATION DES DOMMAGES ACCESSOIRES OU INDIRECTS ET NE PERMETTENT PAS LA LIMITATION SUR LA DURÉE D'UNE GARANTIE IMPLICITE, PAR CONSÉQUENT LES LIMITATIONS SUSMENTIONNÉES PEUVENT NE PAS S'APPLIQUER. CETTE GARANTIE DONNE DES DROITS SPÉCIFIQUES ET IL PEUT Y EN AVOIR D'AUTRES QUI VARIENT D'UN ÉTAT À L'AUTRE. Aucune tentative de modifier, changer ou amender cette garantie ne peut être effective sans le consentement écrit autorisé par un officier de BSH.

Pour un service sous garantie : POUR OBTENIR UN SERVICE SOUS GARANTIE, COMMUNIQUER AVEC UN CENTRE DE SERVICE AUTORISÉ BSH DANS LA RÉGION OU TÉLÉPHONER AU 1-800-735-4328.

¡Felicitaciones y las gracias!

Usted se ha sumado a la gran cantidad de consumidores que exigen a su lavadora de platos un rendimiento silencioso y superior. Este manual fue redactado pensando en su seguridad y comodidad, y la información que contiene es muy importante. Le recomendamos enfáticamente que lea este manual antes de usar su lavadora de platos por primera vez.

Para localizar la versión en español de este manual, visite el siguiente sitio web:

www.bosch-home.com/us (USA) or www.bosch-appliances.ca (Canada)

Cuando esté allí, no olvide registrar su nueva lavadora de platos haciendo clic en la pestaña Customer Support (Asistencia al cliente) o llenando la tarjeta de registro del producto que se adjunta con su nueva unidad.

Si tiene alguna pregunta o comentario, comuníquese con nosotros llamando al 1-800-735-4328

Instrucciones de seguridad importantes: Lea y guarde esta información



ADVERTENCIA

El uso indebido de la lavadora de platos puede ocasionar lesiones graves o la muerte. No utilice la lavadora de platos de ninguna manera que no se encuentre cubierta en este manual ni para ningún fin distinto de los fines que se explican en las páginas siguientes.

La contratación de técnicos de servicio que no estén capacitados o el uso de piezas de repuesto que no sean originales podría ocasionar daños en el producto y/o lesiones graves. Todas las reparaciones deben ser realizadas por un técnico de servicio capacitado que utilice únicamente piezas de repuesto originales de fábrica para el equipo.

Si el suministro eléctrico para la lavadora de platos cubierta en este manual se instala de manera incorrecta o si la lavadora de platos no ha sido conectada a tierra de manera adecuada, podría ocasionarse una descarga eléctrica o un incendio. No utilice la lavadora de platos cubierta en este manual, a menos que esté seguro de que el suministro eléctrico haya sido instalado correctamente o de que la lavadora de platos haya sido conectada a tierra de manera adecuada.

Nunca utilice productos químicos abrasivos para limpiar su lavadora de platos. ¡Algunos productos que contienen cloruros pueden dañar su lavadora de platos y pueden presentar peligros para la salud!

AVISO

Nunca utilice productos de limpieza por vapor para limpiar su lavadora de platos. El fabricante no será responsable de los posibles daños o consecuencias.

Se recomienda especialmente que el usuario final se familiarice con el procedimiento de corte del suministro de entrada de agua y con el procedimiento de corte de la fuente de alimentación eléctrica de entrada. Consulte las instrucciones de instalación o comuníquese con su instalador para obtener más información.

Las lavadoras de platos para uso residencial certificadas por el estándar 184 de la Fundación Nacional de Salubridad (National Sanitation Foundation, NSF)/Instituto Nacional Estadounidense de Estándares (American National Standards Institute, ANSI) no fueron diseñadas para establecimientos de comidas que tengan licencia.



ADVERTENCIA: Para reducir el riesgo de incendio, descarga eléctrica o lesiones graves, siga estas indicaciones

- 1** Esta lavadora de platos se entrega con Instrucciones de instalación y con este Manual de uso y cuidado. Lea y comprenda todas las instrucciones antes de usar la lavadora de platos.
- 2** Este electrodoméstico debe conectarse a un sistema de cableado metálico y permanente, con conexión a tierra, o se debe instalar un conductor de conexión a tierra para equipos junto con los conductores de circuitos, y conectarlo al terminal de conexión a tierra para equipos o al hilo de conexión a tierra de la lavadora de platos. Consulte las Instrucciones de instalación que se incluyen con esta lavadora de platos para obtener más información sobre los requisitos eléctricos.
- 3** Utilice esta lavadora de platos únicamente para la función para la cual fue diseñada, que consiste en lavar la vajilla doméstica y los utensilios de cocina.
- 4** Utilice únicamente detergentes o agentes de enjuague recomendados para uso en una lavadora de platos y manténgalos fuera del alcance de los niños.
- 5** Al cargar los artículos que desea lavar:
 - Coloque los artículos filosos de manera tal que no puedan dañar el sello de la puerta.
 - Cargue los cuchillos y otros utensilios filosos con el MANGO HACIA ARRIBA para reducir el riesgo de tener heridas cortantes.
 - No lave artículos de plástico, a menos que incluyan la leyenda "aptos para lavadora de platos" o una leyenda equivalente. En el caso de los artículos de plástico que no estén marcados de esa manera, consulte las recomendaciones del fabricante.
 - No opere su lavadora de platos, a menos que todos los paneles de cierre estén colocados en su lugar.
 - No trate de forzar los controles ni de pasar por alto los sistemas de traba.
- 6** No use la puerta ni las rejillas para platos de la lavadora de platos de manera indebida, ni se siente ni se pare sobre estas.
- 7** Para reducir el riesgo de lesiones, no permita que los niños jueguen dentro de la lavadora de platos ni encima de esta.
- 8** Cuando los niños tienen la edad adecuada para operar el electrodoméstico, es responsabilidad legal de los padres/tutores legales asegurarse de que los niños reciban instrucciones sobre prácticas seguras por parte de personas capacitadas.
- 9** En ciertas condiciones, es posible que se produzca gas hidrógeno en un sistema de agua caliente que no haya sido utilizado durante dos semanas o más tiempo. El gas hidrógeno es explosivo. Antes de usar una lavadora de platos que esté conectada a un sistema de agua caliente que haya permanecido sin uso durante dos semanas o más tiempo, abra todos los grifos de agua caliente y deje que fluya el agua de cada uno de los grifos durante varios minutos. De este modo, se eliminará el gas hidrógeno que se haya acumulado. Dado que el gas es explosivo, no fume ni use una llama abierta durante este tiempo.
- 10** Al retirar una lavadora de platos vieja para realizar el servicio técnico o para desecharla, retire la puerta de la lavadora de platos que cierra el compartimento de lavado.
- 11** Para evitar daños en el piso y la posible aparición de moho, no permita que las áreas alrededor o debajo de la lavadora de platos permanezcan mojadas.
- 12** Proteja su lavadora de platos de las condiciones climáticas. Protéjala contra el congelamiento para evitar posibles daños en la válvula de llenado. Los daños causados por el congelamiento no están cubiertos por la garantía.
- 13** Para un electrodoméstico conectado al cable:
 - Este electrodoméstico debe estar conectado a tierra. En caso de un mal funcionamiento o una falla, la conexión a tierra reducirá el riesgo de descarga eléctrica proporcionando una vía de menor resistencia para la corriente eléctrica. Este electrodoméstico viene equipado con un cable con un conductor de conexión a tierra para equipos y un enchufe con conexión a tierra. El enchufe debe colocarse en una toma de corriente adecuada que esté instalada y conectada a tierra, de acuerdo con todos los códigos y las ordenanzas locales
 - La conexión incorrecta del conductor de conexión a tierra del equipo puede causar una descarga eléctrica. Consulte a un electricista o a un representante de servicio técnico calificados si tiene alguna duda respecto de si el electrodoméstico está correctamente conectado a tierra. No modifique el enchufe incluido con el electrodoméstico; si no entra en la toma de corriente, solicite a un electricista calificado que instale una toma de corriente adecuada.

