

USE & CARE GUIDE

GUIDE

D'UTILISATION
ET D'ENTRETIEN

MANUAL DE USO
Y CUIDADO

Model/Modele/Modelo

T24IR..

T30IR..

Refrigerator

Réfrigérateur

Frigorífico

Thermador[®]

en-us Table of Contents	3
fr-ca Table des matières	16
es-mx Índice	30

en-us Table of Contents

Safety and warning information.....	4	Refrigerator compartment.....	9
Definition	4	When purchasing food, please note:	9
Before you switch ON the appliance.....	4	Arranging food in the appliance.....	9
Technical safety.....	4	“Cool-fresh” container	10
Important information when using the appliance.....	4	Selection buttons for “cool-fresh” container	10
Children in the household	4	Foods suitable for “cool-fresh” container:.....	10
General regulations.....	4	Foods not suitable for the “cool-fresh” container: .	10
Installing the appliance	5	When purchasing food, please note:	10
Transporting	5	Interior fittings	10
Installation location	5	Removing the shelves.....	10
Ventilation	5	Drawer in the refrigerator compartment	10
Connecting the appliance	5	Removing the humidity filter in the “cool-fresh”	
Electrical connection.....	5	container	11
Getting to know your appliance	6	Switching off and disconnecting the appliance	11
Controls.....	7	Switching the appliance off	11
Switching the appliance on.....	7	Disconnecting the appliance	11
Operating tips.....	7	Defrosting	11
Set the language	7	Cleaning the appliance	11
Setting the temperature	8	Interior fittings	11
Refrigerator compartment.....	8	Light (LED)	12
Special functions	8	Tips for saving energy.....	12
Setup mode.....	8	Operating noises.....	12
Vacation mode.....	8	Quite normal noises.....	12
Sabbath mode	8	Preventing noises.....	12
Energy saving mode.....	9	Eliminating minor faults yourself	13
Super cooling.....	9	Appliance	13
Switching on.....	9	Customer service	13
Alarm function.....	9	Warranty.....	14



Safety and warning information

Definition

▲ **WARNING:**

This indicates that death or serious injury may result due to non-observance of this warning.

▲ **CAUTION:**

This indicates that minor or moderately severe injury may result due to non-observance of this warning.

Before you switch ON the appliance

Please read the operating and installation instructions carefully. They contain important information on how to install, use and maintain the appliance.

The manufacturer is not liable if you fail to comply with the instructions and warnings. Retain all documents for subsequent use or for the next owner.

Technical safety

If the power cord of this appliance is damaged, it must be replaced by the manufacturer, customer service or a similarly qualified person. Improper installations and repairs may put the user at considerable risk.

Repairs may be performed by the manufacturer, customer service or a similarly qualified person only.

Only original parts supplied by the manufacturer may be used. The manufacturer guarantees that only these parts satisfy the safety requirements.

A power cable extension may be purchased from customer service only.

The appliance comes with a UL registered 3-wire power cord.

Never sever or remove the third (earth) conductor from the power cord.

The appliance requires a 3-pole socket. The socket may be connected by an electrician only.

Where there is a 2-pole standard wall socket, it is the personal responsibility and duty of the customer to have this socket replaced with a correctly earthed 3-pole wall socket. Do not use any adapter plugs.

Important information when using the appliance

- Never use electrical appliances inside the appliance (e.g. heater, electric ice maker, etc.). Risk of explosion!
- Never use a steam cleaner to defrost or clean the appliance! The steam may penetrate electrical parts and cause a short-circuit. Risk of electric shock!
- Do not use pointed or sharp-edged implements to remove frost or layers of ice. You could damage the refrigerant tubes. Leaking refrigerant may ignite or cause eye injuries.
- Do not store products which contain flammable propellants (e.g. spray cans) or explosive substances in the appliance. Risk of explosion!
- Do not stand on or lean heavily against base of appliance, drawers or doors, etc.
- Before defrosting and cleaning the appliance, pull out the mains plug or switch off the fuse. Do not pull out the mains plug by tugging the cable.
- Bottles which contain a high percentage of alcohol must be sealed and stored in an upright position.
- Keep plastic parts and the door seal free of oil and grease. Otherwise, parts and door seal will become porous.
- Never cover or block the ventilation openings for the appliance.
- People (children incl.) who have limited physical, sensory or mental abilities or inadequate knowledge must not use this appliance unless they are supervised or given meticulous instructions.

Children in the household

- Keep children away from packaging and its parts. Danger of suffocation from folding cartons and cling wrap!
- Do not allow children to play with the appliance!
- If the appliance features a lock: keep the key out of the reach of children!

General regulations

The appliance is suitable for refrigerating food.

This appliance is intended for use in the home and the home environment.

The refrigeration circuit has been checked for leaks.

Installing the appliance

Have a technician install and connect the appliance according to the enclosed installation instructions.

Transporting

The appliances are heavy and must be secured during transportation and installation.

Because of the weight/dimensions of the appliance and to minimise the risk of injuries and damage to the appliance at least two persons are necessary to set-up the appliance securely.

Installation location

A dry, well ventilated room is suitable as an installation location. The installation location should not be exposed to direct sunlight and not placed near a heat source, e.g. a cooker, radiator, etc. If installation next to a heat source is unavoidable, use a suitable insulating plate or observe the following minimum distances from the heat source:

- 3 cm to electric or gas cookers.
- 30 cm to an oil or coal-fired cooker.

The floor of the installation location must not give way; if required, reinforce floor. To ensure that the ice maker functions correctly, the appliance must be upright.

Ventilation

The refrigeration unit is ventilated only via the ventilation grille in the base. Never cover the ventilation grille or place anything in front of it. Otherwise the refrigeration unit must work harder, increasing the power consumption.

Connecting the appliance

After installing the appliance, wait at least 1 hour until the appliance starts up. During transportation the oil in the compressor may have flowed into the refrigeration system.

Before switching on the appliance for the first time, clean the interior of the appliance (see chapter "Cleaning the appliance").

Electrical connection



WARNING:

Avoid the risk of an electric shock!



WARNING:

Insert into a grounded 3-phase socket. Never remove grounding phase. Do not use any adapters. Do not use any extension cables.



WARNING:

Non-compliance with these instructions may result in death, fire or an electric shock. Improper connection of the protective conductor may result in an electric shock. If you are in doubt whether the appliance has been grounded properly, have the appliance tested by a qualified electrician or service technician.

The socket must be near the appliance and also freely accessible following installation of the appliance.

The appliance complies with protection class I. Connect the appliance to 115 V/60 Hz alternating current via a correctly installed socket with protective conductor. The socket must be fused with a 10 to 16 A fuse.

The appliance comes with a UL registered 3-wire power cord. The appliance requires a 3-pole socket.

Please observe the following table with regard to this:

Appliance	Maximum simultaneous load
Refrigerator	2.0 amps

Check on the rating plate whether the indicated voltage and current type correspond with the values of your power supply. The location of the rating plate can be found in the chapter entitled Customer service.



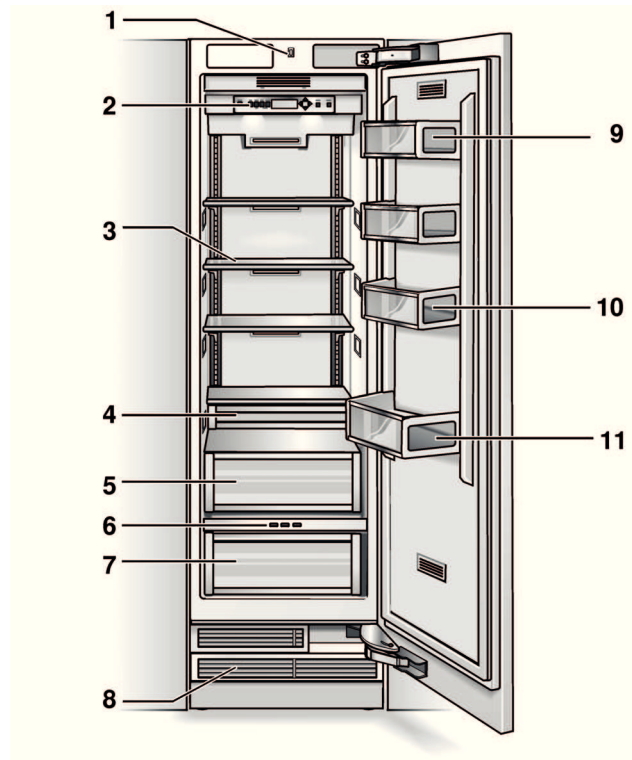
WARNING:

Never connect the appliance to electronic energy saver plugs.

Our appliances can be used with mains and sine-controlled inverters. Mains-controlled inverters are used for photovoltaic systems which are connected directly to the national grid. Sine-controlled inverters must be used for isolated applications (e.g. on ships or in mountain lodges) which are not connected directly to the national grid.

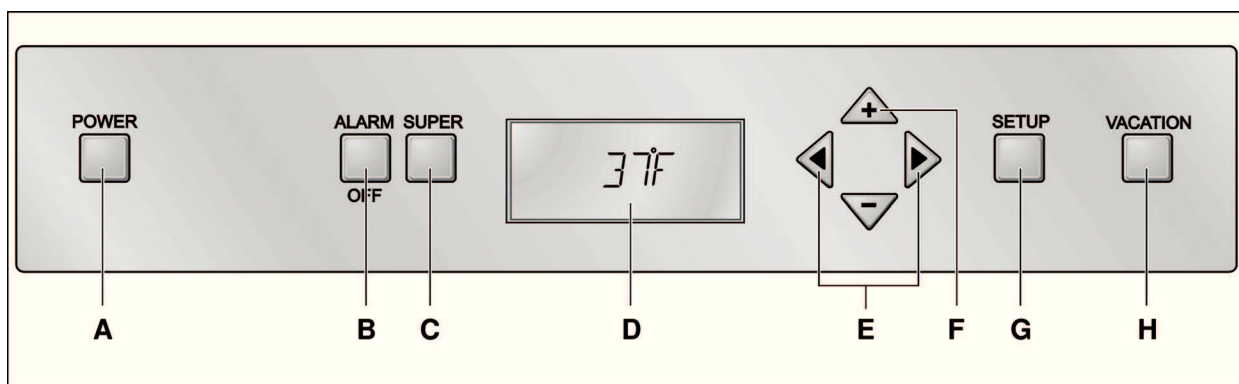
Getting to know your appliance

These operating instructions refer to several models.
The diagrams may differ.



- 1 Light switch
- 2 Controls
- 3 Glass shelf in the refrigerator compartment
- 4 Snack-box
- 5 Fruit and vegetable container
- 6 Selection buttons "cool-fresh" container
- 7 "Cool-fresh" container
- 8 Ventilation
- 9 Butter and cheese compartment
- 10 Door shelf
- 11 Storage compartments for large bottles

Controls



A On/Off button

Serves to switch the whole appliance on and off.

B Alarm button

Used to switch off the warning signal, see chapter “Alarm function”.

C “super” button (refrigerator compartment)

Switches super cooling on and off.

D Display panel

The temperatures in the refrigerator compartment are shown in the display panel. Activated special functions are shown via “symbol”.

The menus and setting options which are available are represented on the display panel in the setup mode, see chapter “Setup mode”.

E Selection buttons

The temperature setting is activated using the selection buttons, see chapter “Setting the temperature”.

For selecting a menu in the setup mode, see chapter “Special functions”.

F Setting buttons

The temperature can be changed using the setting buttons, see chapter “Setting the temperature”.

More settings can be selected in the setup mode, see chapter “Special functions”.

G “setup” button

This button starts and ends the setup mode. If the setup mode is ended using the setup button, the changes which have been made are stored.

H Vacation button

Is used to switch vacation mode on and off, see chapter “Special functions”, section “Vacation mode”.

Note:

A sound can be heard every time a button is actuated if this function is activated in the sound menu during the setup mode.

Symbols in the display field



Super cooling is activated (see chapter “Super cooling”).



Holiday mode is activated, see chapter Special functions.



A warning message is displayed, see chapter Alarm function.

Switching the appliance on

Switch on the appliance with the On/Off button. The appliance begins to cool. Light is switched on when the door is open.



CAUTION:

Keep hands and fingers away from front and rear openings of the refrigerator door when closing. Risk of injury to hands or fingers.

Never allow children to climb on or play with the refrigerator door.

Operating tips

- When the appliance has been switched on, it may take several hours until the set temperature has been reached.
- The fully automatic No Frost system ensures that the refrigerator compartment remains free of ice. Defrosting is not required.

Set the language

The display languages can be changed according to the table in the chapter Setup mode.

In order to change the display language:

1. Press setup button.
2. Press the < or > setting button, until the set language is displayed.
3. Press the + or – setting button, until the desired language is displayed.
4. Press the setup button, in order to store the settings. The set temperature is displayed again in the fascia.

Setting the temperature

Refrigerator compartment

(can be selected from +35 °F to +46 °F)

We recommend a setting of +37 °F.

Perishable food should not be stored above +37 °F.

1. Activate the setup mode with the selection button >.
2. Set the temperature with the + (warmer) or – (cooler) selection buttons.

Special functions

The following special functions can be selected or displayed:

Setup mode

In Setup mode you can make your personal settings.

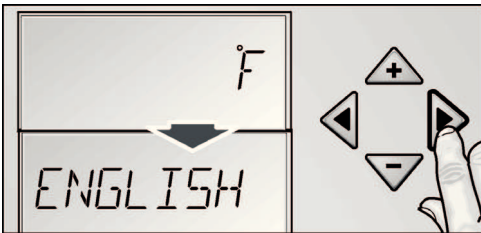
Switching on

Press setup button.

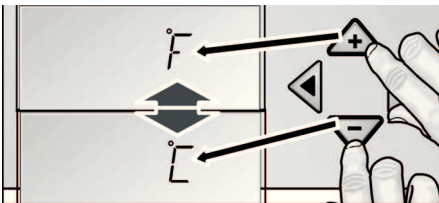
The first menu (temperature unit) is displayed in the fascia.

Making settings

1. Switch on setup mode.
2. Press the selection button < or >.
 - The next menu is displayed and its current setting (mostly **ON** or **OFF**).



3. Press the setting button + or –.
 - The setting is stored, if the next menu is selected using < or >.



Switching off

Press setup button.

All of the changed settings are stored.

Note:

If no button is selected within 20 seconds, the setup mode ends automatically. All of the changed settings are stored. The set temperature is displayed again in the fascia.

Menus in the setup mode

The following settings can be made.

Menu	Possible setting
Temperature unit	°C (degrees Celsius) °F (degrees Fahrenheit)
Language	English French Spanish
Sound	On Off
Energy saving mode (eco function)	On Off

Vacation mode

If leaving the appliance for a long period of time, you can switch the appliance over to the energy-saving vacation mode.

When Vacation mode is switched on, the following settings are made:

- The appliance works in energy saving mode.
- The illumination is switched off.
- The “super cooling” function is ended (if activated).

Switching on

Press Vacation button.

VACATION is displayed in the fascia.

Switching off

Press Vacation button.

The previous settings and temperature values are once again activated.

Sabbath mode

When Sabbath mode is switched on, the following settings are switched off:

- Super cooling
- Acoustic signal when a button is pressed
- Interior light
- Background illumination of the display panel

Switching on

1. Press and hold down the “super” button on refrigerator compartment.
2. Press Vacation button.
3. Press “super” button and hold down for a further 3 seconds.

The **VACATION** symbol flashes on the display panel and **SABBATH** is displayed.

Switching off

Press Vacation button.

The previous settings and temperature values are once again activated.

Energy saving mode

If the energy saving function (eco function) is activated, the appliance switches to energy saving operation. This energy saving function is preset at the factory in order to reduce energy consumption. The background illumination of the fascia is likewise reduced.

Switching on

1. Press setup button.
2. Press the selection button \triangleright , until **ECO MODE** and the current setting (**OFF**) is displayed.
3. Press the setting button $+$, in order to reset the setting.
4. Press the setup button, in order to store the setting. **ECO** is displayed in the fascia.

Switching off

1. Press setup button.
2. Press the selection button \triangleright , until **ECO MODE** and the current setting (**ON**) is displayed.
3. Press the setting button $-$, in order to reset the setting.
4. Press the setup button, in order to store the setting.

Super cooling

Super cooling cools the refrigerator compartment as cold as possible for approx. 6 hours. Then the appliance automatically switches to the temperature set prior to super cooling mode.

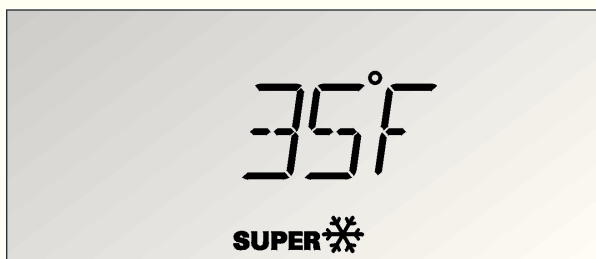
Switch on super cooling mode, e.g.:

- Before placing large quantities of food in the refrigerator compartment
- For fast cooling drinks

Switching on

Press super cooling button.

The symbol **SUPER** ❄️ is shown in the display panel.



Alarm function

Note:

As long as a warning is displayed, no buttons can be pressed.

Cause

One door of the appliance has not been closed correctly or has been open too long.

Remedial action

Press the alarm button and close the door. The display goes out.

Refrigerator compartment

⚠️ WARNING:

Do not store explosive substances in the appliance. Risk of explosion!

The refrigerator compartment is the ideal storage location for ready meals, cakes and pastries, preserved food, condensed milk, hard cheese, fruit and vegetables sensitive to cold as well as tropical fruit.

When purchasing food, please note:

The "purchase freshness" is important for the shelf-life of your food.

In principle, the fresher the produce when placed in the "cool-fresh" compartment, the longer it stays fresh.

Therefore, when buying food, always pay attention to the degree of freshness.

Observe the best-before date specified by the manufacturer for ready products and bottled products.

Arranging food in the appliance

- Wrap or cover food before placing in the appliance. This will retain the aroma, colour and freshness of the food. In addition, flavours will not be transferred between foods and the plastic parts will not become discoloured.
- Allow warm food and drinks to cool down before placing in the appliance.
- Do not block air outlet openings with food in the refrigerator compartment, otherwise the air circulation will be impaired. Food which is stored directly in front of the air outlet openings may be frozen by the cold air flowing out.
- Avoid contact of oil and fat with the plastic parts and door seal.

“Cool-fresh” container

The temperature in the “cool-fresh” container is about 32 °F. The “cool-fresh” drawer is covered by a special filter which sets the ideal humid climate.

The low temperature and the optimum moisture provide ideal storage conditions for fresh food.

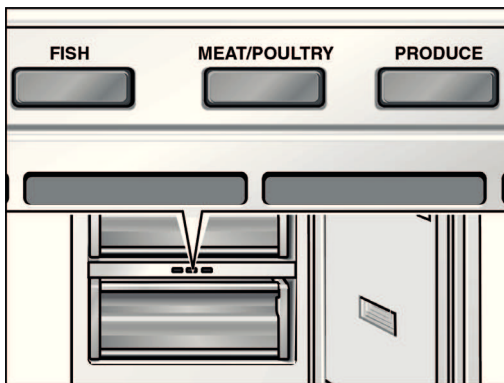
Food can be kept fresh up to three times longer than in the normal cooling zone – for even longer freshness, nutrient retention and flavour.

Selection buttons for “cool-fresh” container

Press the appropriate button corresponding to the food stored.

- FISH
For storage of fish and seafood.
- MEAT/POULTRY
For the storage of meat products, poultry, sausage and prepared meals.
- PRODUCE
For the storage of fruit, vegetables, mushrooms and herbs.

The selection is displayed by illumination of the corresponding button.



Foods suitable for “cool-fresh” container:

In principle all foods which are fresh and are to remain fresh for even longer, e.g. fresh fish, seafood, meat and sausage, dairy products and ready meals.

Foods not suitable for the “cool-fresh” container:

Fruit and vegetables sensitive to cold (e.g. tropical fruit such as pineapples, bananas, papaya, citrus fruits, melons as well as tomatoes, aubergines, zucchini, capsicums, cucumbers, potatoes).

The ideal storage location for these foods is the refrigerator compartment.

When purchasing food, please note:

The “purchase freshness” is important for the shelf-life of your food.

In principle, the fresher the produce when placed in the “cool-fresh” compartment, the longer it stays fresh.

Therefore, when buying food, always pay attention to the degree of freshness.

Observe the best-before date specified by the manufacturer for ready products and bottled products.

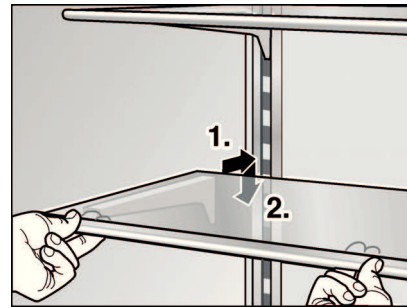
Interior fittings

Removing the shelves

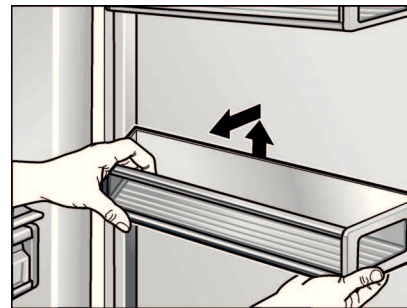
You can reposition the shelves inside the appliance and the door shelves as required.

Lift the shelves and remove.

Shelves inside the compartment

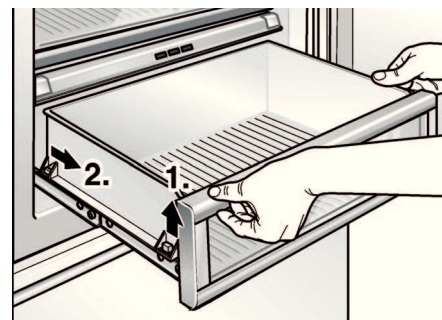


Door shelves



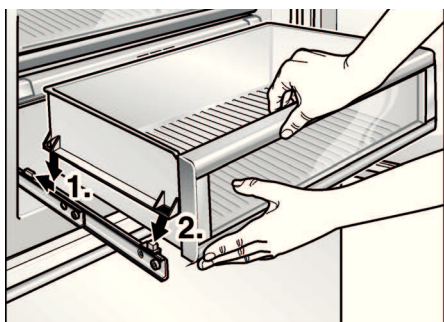
Drawer in the refrigerator compartment

1. Lift the drawers slightly and remove.



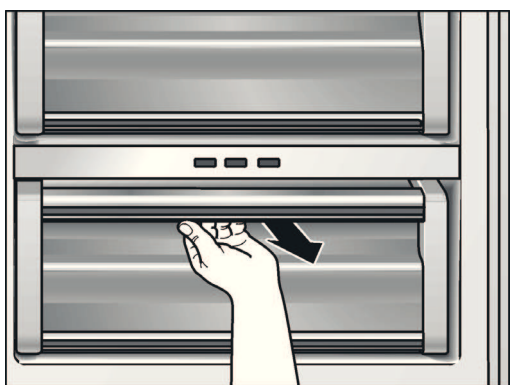
2. Lift the front of the drawers slightly and place into the chest of drawers.

3. Lower the drawer and slide it backwards.

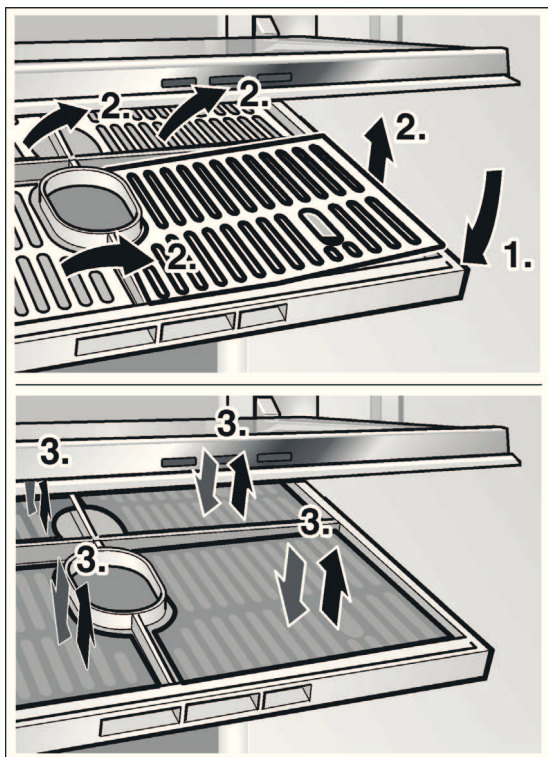


Removing the humidity filter in the “cool-fresh” container

Take out the “cool-fresh” container first. Then, pull out the humidity filter.



Lift off the filter cover and take out the filter.



Switching off and disconnecting the appliance

Switching the appliance off

Press the On/Off button.
Refrigeration unit and light switch off.

Disconnecting the appliance

If you do not use the appliance for a prolonged period:

1. Switch the appliance off.
2. Pull out mains plug or switch off fuse.
3. Clean the appliance.
4. Leave the appliance door open.

Defrosting

Defrosting is actuated automatically.

Cleaning the appliance

⚠ WARNING:
Never clean the appliance with a steam cleaner!

⚠ CAUTION:

- Do not use abrasive or acidic cleaning agents and solvents.
- Do not use scouring or abrasive sponges. The metallic surfaces could corrode.
- Never clean shelves and containers in the dishwasher. The parts may become deformed!

Proceed as follows:

1. Before cleaning: Switch the appliance off.
2. Pull out the mains plug or switch off the fuse.
3. Clean the appliance with a soft cloth, lukewarm water and a little pH neutral washing-up liquid. The rinsing water must not run into the light.
4. Wipe the door seal with clear water only and then wipe dry thoroughly.
5. After cleaning reconnect and switch the appliance back on.

Interior fittings

All variable parts of the appliance can be taken out for cleaning (see chapter “Interior fittings”).

Light (LED)

Your appliance features a maintenance-free LED light. These lights may be repaired by customer service or authorized technicians only.

Tips for saving energy

- Install the appliance in a dry, well ventilated room! The appliance should not be installed in direct sunlight or near a heat source (e.g. radiator, cooker). If required, use an insulating plate.
- Do not block the ventilation openings in the appliance.
- Allow warm food and drinks to cool down before placing in the appliance!
- When thawing frozen products, place them in the refrigerator. Use the coldness of the frozen food to cool food.
- Open the appliance as briefly as possible!

Operating noises

Quite normal noises

Droning

Motors are running (e.g. refrigeration units, fan).

Bubbling, humming or gurgling noises

Refrigerant is flowing through the tubing.

Clicking

Motor, switches or solenoid valves are switching On/Off.

Preventing noises

The appliance is not level

Please align the appliance with a spirit level. Use the height-adjustable feet or place packing underneath them.

The appliance is not free-standing

Please move the appliance away from adjacent units or appliances.

Containers or storage areas wobble or stick

Please check the removable parts and re-insert them correctly, if required.

Bottles or receptacles are touching each other

Move the bottles or receptacles slightly away from each other.

Eliminating minor faults yourself

Before you call customer service:

Please check whether you can eliminate the fault yourself based on the following information.

Customer service will charge you for advice even if the appliance is still under guarantee!

Appliance

Fault	Possible cause	Remedial action
Appliance has no refrigeration capacity.	Appliance has been switched off.	Press the On/Off button.
	Power failure.	Check whether the power is on.
The light does not work.	The fuse has been switched off.	Check the fuse.
The display does not illuminate.	The mains plug has not been inserted properly.	Check whether the mains plug is secure.
	Appliance opened frequently.	Do not open the appliance unnecessarily.
	The ventilation openings have been covered.	Remove obstacles.
The refrigeration unit is switching on more frequently and for longer.	Large quantities of fresh food are placed in the freezer.	Activate super cooling.
	The LED lamp is defective.	Call customer service.
The light (LED) does not work.	Light switch is jammed.	Check whether it can be moved.
	Electronics have detected a fault.	Call customer service.
Display indicates "E..".	The mains voltage falls below the permitted limiting value.	When the mains voltage reaches the stipulated value again, the warning message goes out. If the warning message lasts for longer, inform the energy supply company.

Customer service

Before you call customer service, see the chapter entitled "Rectifying minor faults yourself".

After checking according to the chapter entitled "Rectifying minor faults yourself", additional help can be requested by calling the Thermador Customer Interaction Center, 1-800-735-4328 (toll-free), from anywhere in the USA.

In Canada contact your Thermador customer service or call 1-800-735-4328.

Note down the following information about your fridge-freezer so that you have it ready and can be better assisted if you require help or customer service.

Dealer's name: _____

Address: _____

Telephone number: _____

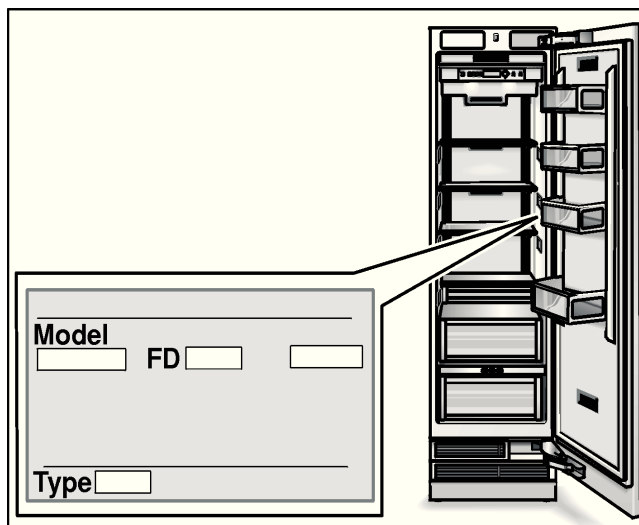
Purchase date: _____

Model number: _____

FD Nr.: _____

Serial number _____

Type _____



Warranty

The limited warranty from BSH Home Appliances in this limited product guarantee applies only to the Thermador fridge-freezers (the "Product") which you, as first purchaser have bought, if the product: (1) was purchased for normal (not commercial) use in the household and was always and exclusively used for normal household purposes; (2) was purchased as a new appliance in a shop (not as an exhibit, "as is" or as a return) and not for resale or for commercial use; and (3) was purchased in the United States or Canada and has never left the country in which it was originally purchased. The warranties listed here apply only to the first purchaser of the product and are not transferable.

Remember to return your registration card; although it is not required for services within the scope of the warranty, it provides Thermador with the best means of contacting you in the unlikely event of a safety warning or a product recall.

Period of validity of the warranty: Thermador guarantees that the product is free of material and production faults for a period of 365 days from the date of purchase. This period starts on the day of purchase and will not be postponed, suspended, extended or replaced for any reason. **Repair/ replacement as exclusive remedy:** During this warranty period Thermador or one of its authorized customer service providers will repair your product free of charge (subject to certain restrictions listed here) if it turns out that your product has a material or production fault. If an appropriate number of attempts have been made to repair your product, Thermador will replace your product (later models may be made available to you for an additional fee at the sole discretion of Thermador). All removed parts and components are the property of Thermador at its sole discretion. For the purpose of this warranty all replaced and/or repaired parts will receive the identity of the original parts, and this warranty will not be extended with regard to these parts.

Thermador's sole liability and responsibility, based on this warranty, consists of repairing the factory-defective product involving a customer service provider authorized by Thermador during normal business hours. For reasons of safety and with regard to damage, Thermador strongly recommends that you do not attempt to repair the product yourself or have it repaired by a non-authorized customer service; Thermador is not liable for repairs or work performed by a non-authorized customer service. If you decide to have the product repaired by somebody other than an authorized customer service, THIS WARRANTY WILL BE AUTOMATICALLY VOIDED. Authorized customer service providers are those persons or companies which have been specially trained on Thermador products and which, in the opinion of Thermador, have an excellent reputation concerning their customer service and their technical skills (note: these are independent persons/companies, there are no agents, partners, subsidiary companies or representatives of Thermador).

Irrespective of this, Thermador accepts no liability or responsibility for the product if it is in a remote location (more than 160 km from an authorized customer service) or in an inaccessible, dangerous, threatening or insidious place, in such surroundings or such an environment; in such a case Thermador would, if you so wish, bear the costs for labor and materials as well as for transportation to the nearest authorized customer service, but you would have to bear the costs for transportation or other extra charges of the customer service company if the latter has already expressed its willingness to accept the order.

Extension of the limited warranty:

Thermador also offers the following, limited warranties:

- 2-year limited warranty: Thermador will repair or replace all components which have proven material or production faults (without labor costs).
- 5-year limited warranty on electronics: Thermador will repair or replace all microprocessors or PCBs which have proven material or production faults (without labor costs).
- Lifetime warranty against rusting of stainless steel parts: Thermador will repair or replace all components which have proven material or production faults (without labor costs).

Expired warranty: Thermador is neither legally nor in any other way obliged to make concessions of any kind after the warranty period has elapsed, this also applies to repairs, pro-rata charging or product replacement.

Exclusion of warranty: The warranty described here excludes all defects and damage which are not based directly on faults on the part of Thermador; this also includes the following cases: (1) Use of the product in other than the normal, usual and designated way (including inter alia any form of commercial utilization, use or storage of a domestic appliance outdoors, use of the product in conjunction with aircraft or watercraft); (2) Conscious misconduct, negligence, misuse, carelessness, disregard, improper handling, inadequate maintenance, faulty or negligent installation, tampering, non-observance of the instructions for use, incorrect operation, work performed by unauthorized customer service (including in-house repairs or testing the inner life of the appliance); (3) Adjustments, changes or modifications of any type; (4) Non-observance of electrical, sanitary or building regulations, provisions or laws of the state, country, region, city or district, including installation of the product not in accordance with local fire protection and building provisions and regulations; (5) Normal wear, spilled food, liquids, accumulation of grease or other substances which collect on, in or around the product; and (6) External, natural and/or environmental forces and factors, e.g. rain, wind, sand, floods, fires, mudslides, frost, excessively high humidity or prolonged load due to humidity, lightning, power failures, structural failure of the appliance environment, as well as cases of force majeure. Thermador is not at all liable for environmental damage, e.g. to cupboards, floors, ceilings and other structures or objects near the product. Also excluded from the warranty are scratches, kinks, minor dents and cosmetic damage to outer surfaces and exposed parts, products on which the serial number was changed, disguised or

removed; customer service requests to train the customer in the use of the product, or requests when the product is in working order; correction of installation problems (you alone are responsible for all structural conditions and equipment for the product, inter alia for the power connection, the pipe connections and other connections, the proper ground/floor and for modifications, e.g. installation in furniture, walls, floors, shelves, etc.); resetting of circuit-breakers or fuses.

THIS WARRANTY SPECIFIES YOUR EXCLUSIVE REMEDY PERMITTED BY LAW FOR THE PRODUCT, REGARDLESS OF WHETHER A CLAIM IS GIVEN BASED ON THE CONTRACT OR DUE TO ILLICIT HANDLING (INCLUDING LIABILITY OR NEGLIGENCE IRRESPECTIVE OF CULPABILITY). THIS WARRANTY REPLACES ALL OTHER REPRESENTATIONS EXPRESSED OR IMPLIED. ALL REPRESENTATIONS IMPLIED ACCORDING TO THE LAW, WHETHER WITH REGARD TO MARKETABILITY OR SUITABILITY FOR A SPECIFIC PURPOSE, OR ON ANOTHER BASIS, ARE VALID ONLY FOR THE PERIOD IN WHICH THIS EXPRESS, LIMITED WARRANTY HAS VALIDITY. THE MANUFACTURER IS NOT AT ALL LIABLE FOR CONSEQUENTIAL DAMAGE, SPECIAL, ADDITIONAL, INDIRECT LOSSES OR "BUSINESS LOSSES" AND/OR FOR PUNITIVE DAMAGES, LOSSES OR EXPENSES, INCLUDING INTER ALIA TIME OFF FROM WORK, MEALS IN HOTELS AND/OR RESTAURANTS, CONVERSION COSTS ABOVE AND BEYOND DIRECT DAMAGE CAUSED EXCLUSIVELY BY THERMADOR OR OTHERS. IN SOME COUNTRIES THE EXCLUSION OR THE RESTRICTION OF INCIDENTAL OR CONSEQUENTIAL DAMAGE IS NOT PERMITTED, AND AS SOME COUNTRIES DO NOT ALLOW ANY LIMITATION CONCERNING HOW LONG AN IMPLICIT WARRANTY IS TO BE VALID, THE LISTED LIMITATIONS MAY NOT APPLY TO THEM. THIS WARRANTY GRANTS YOU PARTICULAR RIGHTS, ALTHOUGH YOU MAY BE ENTITLED TO OTHER RIGHTS WHICH CAN VARY FROM COUNTRY TO COUNTRY.

Any attempt to change, modify or extend this warranty requires the prior written consent of a senior employee at BSH.

Obtaining warranty service: To obtain warranty service for your product, you should contact an authorized Thermador customer service center in your vicinity.

BSH Home Appliances

**5551 McFadden Avenue, Huntington Beach, CA 92649
/ 800-944-2904**

fr-ca Table des matières

Consignes de sécurité et avertissements	17	Le compartiment réfrigérateur	23
Définition	17	Attention lors de l'achat de produits	
Avant de mettre l'appareil en service.....	17	alimentaires :	23
Sécurité technique	17	Consignes à respecter lors du rangement	
Pendant l'utilisation	17	de produits alimentaires	23
Les enfants et l'appareil.....	17	Bac fraîcheur.....	23
Dispositions générales	17	Touches de sélection pour le bac fraîcheur	23
Installation de l'appareil	18	Peuvent aller au compartiment fraîcheur :	23
Transport.....	18	Produits non-adaptés au	
Lieu d'installation	18	compartiment fraîcheur :	24
Aération.....	18	Attention lors de l'achat de produits	
Branchement de l'appareil.....	18	alimentaires :	24
Connexion électrique.....	18	Équipement	24
Présentation de l'appareil.....	19	Retirer les clayettes	24
Éléments de commande.....	20	Tiroir dans le compartiment réfrigérateur	24
Enclenchement de l'appareil	20	Retrait du filtre à humidité dans le bac fraîcheur...	24
Remarques concernant le fonctionnement		Arrêt et remisage de l'appareil.....	25
de l'appareil.....	20	Coupure de l'appareil.....	25
Réglage de la langue.....	21	Remisage de l'appareil	25
Réglage de la température	21	Dégivrer l'appareil.....	25
Compartiment réfrigérateur	21	Nettoyage de l'appareil.....	25
Fonctions spéciales.....	21	Équipement	25
Mode Configuration	21	Éclairage (LED)	25
Mode Vacances.....	21	Economies d'énergie	26
Mode Sabbat.....	22	Bruits de fonctionnement	26
Mode Économie d'énergie	22	Bruits parfaitement normaux.....	26
Super-réfrigération	22	Éviter la génération de bruits.....	26
Allumage	22	Remédier soi même aux petites pannes	26
Fonction alarme.....	22	Appareil.....	26
		Service après-vente	27
		Garantie	27

Consignes de sécurité et avertissements

Définition

AVERTISSEMENT

Ceci signifie qu'un danger de mort ou de blessure grave peut surgir si cet avertissement n'est pas respecté.

ATTENTION

Ceci signifie qu'un risque de blessures légères à moyennement graves peut surgir si cet avertissement n'est pas respecté.

Avant de mettre l'appareil en service

Veillez lire attentivement et entièrement les informations figurant dans les notices d'utilisation et de montage. Elle contiennent des remarques importantes concernant l'installation, l'utilisation et l'entretien de l'appareil.

Le fabricant décline toute responsabilité si les consignes et mises en garde contenues dans la notice d'utilisation ne sont pas respectées. Conservez toute la documentation pour pouvoir la consulter à nouveau ultérieurement ou si l'appareil doit changer un jour de propriétaire.

Sécurité technique

Si le cordon d'alimentation électrique de cet appareil a été endommagé, il faut confier son remplacement au fabricant, au service après-vente ou à une personne détenant des qualifications similaires. Les installations et réparations inexpertes peuvent engendrer des risques considérables pour l'utilisateur.

Les réparations ne pourront être réalisées que par le fabricant, le service après-vente ou une personne détenant des qualifications similaires.

Il ne faut utiliser que les pièces d'origine du fabricant. Le fabricant ne garantit que les pièces d'origine car elles seules remplissent les exigences de sécurité.

S'il faut allonger le cordon de raccordement au secteur avec un prolongateur, procurez-vous-le exclusivement auprès du service après-vente.

L'appareil est livré équipé d'un cordon de raccordement au réseau à trois fils homologué UL.

Il ne faut en aucun cas couper le troisième fil (fil de terre) équipant le cordon de raccordement, et ne pas l'enlever non plus.

L'appareil requiert une prise à trois pôles. Le branchement de la prise est une opération exclusivement réservée à un électricien qualifié.

En présence d'une prise murale standard bipolaire, le client a la responsabilité et se trouve dans l'obligation personnelles de la faire remplacer par une prise murale tripolaire réglementairement reliée à la terre. N'utilisez pas de connecteur adaptateur.

Pendant l'utilisation

- N'utilisez pas d'appareils électriques à l'intérieur de l'appareil (par ex. appareils de chauffage, machine à glaçons, etc.). Risque d'explosion !
- Ne dégivrez et ne nettoyez jamais l'appareil avec un nettoyeur à vapeur ! La vapeur risque d'atteindre des pièces électriques et de provoquer un court-circuit. Risque de choc électrique !
- Pour détacher le givre ou les couches de glace, n'utilisez jamais d'objets pointus ou présentant des arêtes vives. Vous risqueriez d'endommager les tubulures dans lesquelles circule le produit réfrigérant. Le fluide réfrigérant en train de jaillir risque de s'enflammer ou de provoquer des lésions oculaires.
- Ne stockez dans l'appareil ni produits contenant des gaz propulseurs inflammables (par ex. bombes aérosols) ni produits explosifs. Risque d'explosion !
- Ne vous servez pas des socles, clayettes et portes comme marchepieds ou pour vous appuyer.
- Pour dégivrer et nettoyer l'appareil, déconnectez la fiche mâle de la prise de courant ou retirez le fusible / désarmez le disjoncteur. Pour déconnecter l'appareil, tirez sur la fiche mâle et non pas sur son cordon.
- Stockez les boissons fortement alcoolisées en position verticale dans des récipients bien fermés.
- L'huile et la graisse ne doivent pas entrer en contact avec les parties en matières plastiques et le joint de porte. Ces derniers pourraient sinon devenir poreux.
- Ne recouvrez et n'obstruez jamais les orifices de ventilation de l'appareil.
- Cet appareil ne pourra être utilisé par des personnes (enfants compris) présentant des capacités physiques, sensorielles ou psychiques restreintes ou manquant de connaissances que sous la surveillance d'une personne chargée de leur sécurité ou après que cette dernière leur aura enseigné à utiliser l'appareil.

Les enfants et l'appareil

- Ne confiez jamais l'emballage et ses pièces constitutives aux enfants. Ils risquent de s'étouffer avec les cartons pliants et les feuilles de plastique !
- L'appareil n'est pas un jouet, éloignez les enfants !
- Appareils équipés d'une serrure : rangez la clé hors de portée des enfants !

Dispositions générales

L'appareil sert à réfrigérer des produits alimentaires. Cet appareil est destiné à un usage domestique dans un foyer privé, et à l'environnement domestique. Le circuit frigorifique a subi un contrôle d'étanchéité.

Installation de l'appareil

Faites installer l'appareil par un spécialiste qui respectera le contenu de la notice de montage ci-jointe.

Transport

Les appareils sont lourds. Il faut les sécuriser en vue du transport et pendant le montage.

En raison du poids et des dimensions de l'appareil, pour réduire au maximum le risque de blessures ou d'endommager l'appareil, il faudra au moins deux personnes pour installer l'appareil de manière sûre.

Lieu d'installation

Un local sec et aérable convient comme lieu d'installation. Il faudrait que le lieu d'installation ne soit pas directement exposé aux rayons solaires et pas à proximité d'une source de chaleur (cuisinière, radiateur, etc.). Si l'installation à côté d'une source de chaleur est inévitable, veuillez utiliser un panneau isolant approprié ou respecter les écarts minimums suivants par rapport à la source de chaleur :

- 3 cm par rapport aux cuisinières électriques ou à gaz.
- 30 cm par rapport à un appareil de chauffage au fuel ou au charbon.

Sur l'emplacement, le sol ne doit pas s'affaisser. Renforcez-le le cas échéant. Afin que le distributeur de glaçons fonctionne impeccablement, l'appareil doit se trouver parfaitement à la verticale.

Aération

L'air destiné au groupe frigorifique rentre et sort par la grille d'aération située dans le socle. Ne recouvrez en aucun cas la grille d'aération et ne placez rien devant. Le groupe frigorifique se trouverait sinon sollicité plus fortement, ce qui augmenterait la consommation de courant.

Branchement de l'appareil

Après l'installation de l'appareil en position verticale, attendez au moins une heure avant de le mettre en service. Il peut en effet arriver, pendant le transport, que l'huile présente dans le compresseur se déplace vers le circuit frigorifique.

Avant la première mise en service, nettoyez le compartiment intérieur de l'appareil. (Voir le chapitre « Nettoyage de l'appareil ».)

Connexion électrique



AVERTISSEMENT :

Évitez le risque de choc électrique !



AVERTISSEMENT :

Connectez avec une prise femelle tripolaire reliée à la terre. N'enlevez jamais la phase de terre. N'utilisez aucun adaptateur. N'utilisez aucun prolongateur.



AVERTISSEMENT :

Une erreur dans l'exécution de ces instructions peut entraîner la mort, un incendie ou un choc électrique. La connexion incorrecte du fil de terre peut entraîner un choc électrique. Si vous n'êtes pas certain(e) que l'appareil a été correctement connecté à la terre, faites-le vérifier par un électricien qualifié ou par un technicien du service après-vente.

La prise doit être proche de l'appareil et demeurer librement accessible même après avoir installé ce dernier.

L'appareil est conforme à la classe de protection I. Connectez l'appareil au courant alternatif 115 Hz / 60 Hz, via une prise femelle installée réglementairement et comportant un fil de terre.

La prise doit être protégée par un fusible supportant un ampérage de 10 A à 16 A.

L'appareil est livré équipé d'un cordon de raccordement au réseau à trois fils homologué UL. L'appareil requiert une prise à trois pôles.

Veuillez dans ce contexte tenir compte du tableau suivant :

Appareil	Charge maximale simultanée
Réfrigérateur	2.0 ampères

Vérifiez sur la plaque signalétique si la tension indiquée et le type de courant correspondent au paramétrage de votre réseau électrique. La position de la plaque signalétique est indiquée au chapitre Service après-vente.

⚠ AVERTISSEMENT :

Il ne faut en aucun cas raccorder l'appareil à des fiches électroniques d'économie d'énergie.

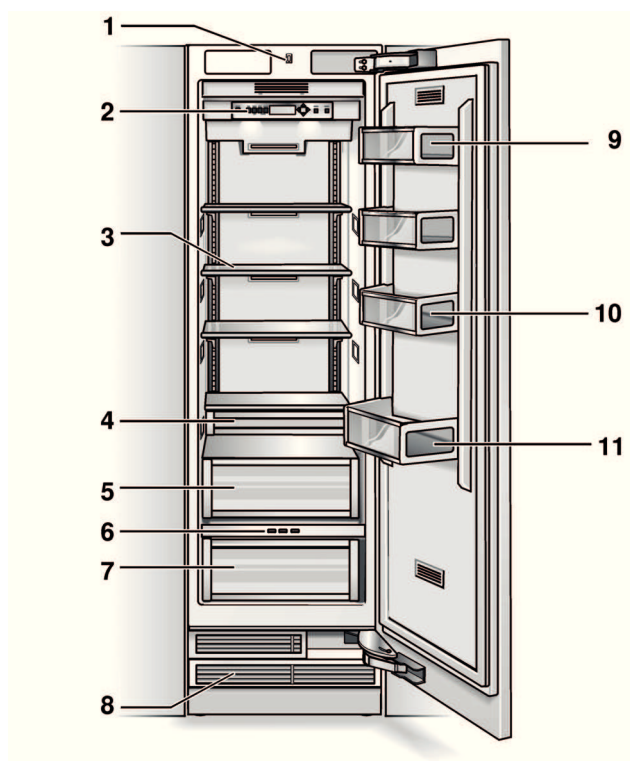
Nos appareils peuvent être alimentés via des onduleurs pilotés par le secteur ou à pilotage sinusoïdal. Directement raccordées au secteur

public, les installations photovoltaïques font appel à des onduleurs pilotés par le secteur. Dans les solutions en îlots (p. ex. sur les bateaux ou les refuges de montagne), ne disposant pas d'un raccordement direct au secteur électrique public, il faut utiliser des onduleurs à pilotage sinusoïdal.

Présentation de l'appareil

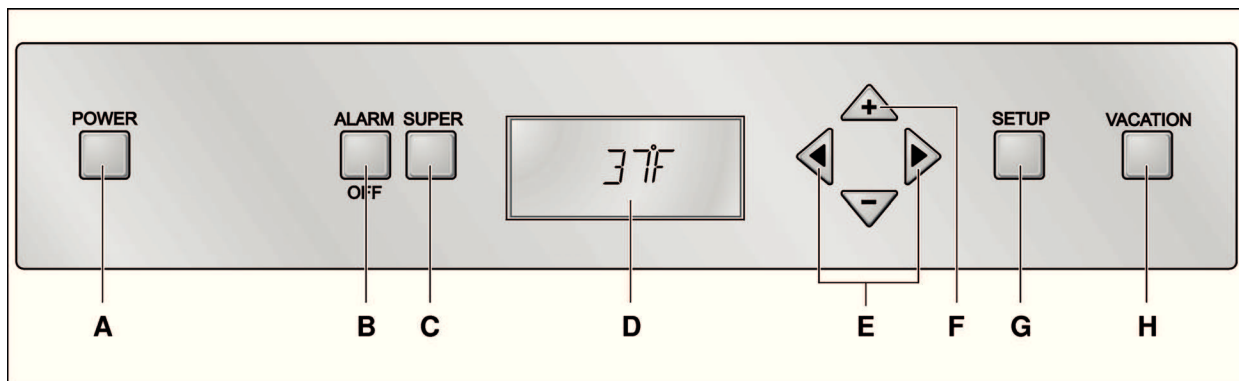
La présente notice d'utilisation vaut pour plusieurs modèles.

Selon le modèle, l'appareil peut différer du contenu des illustrations.



- 1 Interrupteur d'éclairage
- 2 Éléments de commande
- 3 Clayette en verre dans le compartiment réfrigérateur
- 4 Boîte à snacks
- 5 Bac(s) à fruits et légumes
- 6 Touches de sélection dans le bac fraîcheur
- 7 Bac fraîcheur
- 8 Aération
- 9 Casier à beurre et à fromage
- 10 Rangement en contre-porte
- 11 Support à grandes bouteilles

Éléments de commande



- A Touche Marche / Arrêt**
Sert à allumer et éteindre l'ensemble de l'appareil.
- B Touche d'alarme**
Sert à désactiver l'alarme sonore (voir le chapitre « Fonction alarme »).
- C Touche « super » compartiment réfrigérateur**
Pour allumer et éteindre la super-réfrigération.
- D Bandeau d'affichage**
Les températures régnant dans le compartiment réfrigérateur s'affichent. Les fonctions spéciales activées sont représentées par des symboles.
En mode Configuration, les menus disponibles et les options de réglage s'affichent, voir le chapitre « Mode Configuration ».
- E Touches de sélection**
Le réglage de la température s'active par les touches de sélection, voir le chapitre « Réglage de la température ».
Pour sélectionner un menu en mode Configuration (voir la section « Fonctions spéciales »).
- F Touches de réglage**
Les touches de réglage permettent de modifier le réglage de la température. Voir le chapitre « Réglage de la température ».
Il est possible d'effectuer autres réglages en mode Configuration, voir la section « Fonctions spéciales ».
- G Touche « setup »**
Cette touche active le mode Configuration et y met fin. Si vous mettez fin au mode Configuration par la touche de configuration, l'appareil mémorise les modifications accomplies.
- H Touche Holiday**
Elle sert à activer et désactiver le mode Vacances ; voir le chapitre « Fonctions spéciales », section « Mode Vacances ».

Remarque :

Chaque actionnement d'une touche est signalé par un bip si, en mode Configuration, vous avez activé cette fonction dans le menu SON.

Les symboles sur le bandeau d'affichage

La fonction de super-réfrigération est activée (voir le chapitre « Super-réfrigération »).



Le mode Vacances est activé, voir la section « Fonctions spéciales ».



Un message d'avertissement s'affiche, voir le chapitre « Fonction alarme ».

Enclenchement de l'appareil

Allumez l'appareil par la touche Marche / Arrêt. L'appareil commence à réfrigérer. Porte en position ouverte, l'éclairage est allumé.

**ATTENTION :**

Lors de la fermeture, éloignez les mains et les doigts des orifices avant et arrière de la porte du compartiment réfrigérateur. Risque de blessures aux mains et aux doigts.

Ne permettez jamais aux enfants de grimper sur la porte du centre de réfrigération, ou de jouer avec elle.

Remarques concernant le fonctionnement de l'appareil

- Après son allumage, l'appareil peut avoir besoin de plusieurs heures pour atteindre la température réglée.
- Grâce au système No Frost entièrement automatique, le compartiment réfrigérateur ne se couvre pas de givre. Il n'est pas nécessaire de dégivrer.

Réglage de la langue

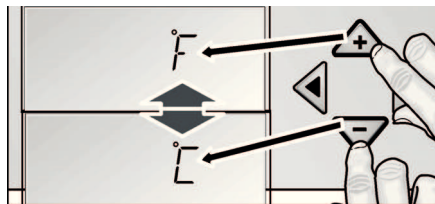
Il est possible de choisir entre les langues d'affichage figurant dans le tableau du chapitre Mode Configuration.

Pour changer de langue d'affichage :

1. Appuyez sur la touche de configuration.
2. Appuyez sur la touche < ou > jusqu'à ce que la langue réglée s'affiche.
3. Appuyez sur la touche + ou - jusqu'à ce que la langue voulue s'affiche.
4. Appuyez sur la touche de configuration pour enregistrer les réglages. Dans le champ d'affichage, la température réglée à nouveau s'affiche.

3. Appuyez sur la touche de réglage + oder -.

Le réglage s'enregistre lorsque vous choisissez le menu suivant via la touche de sélection < ou >.



Coupure de l'appareil

Appuyez sur la touche de configuration. Tous les réglages modifiés sont mémorisés.

Remarque :

Si vous n'appuyez sur aucune touche dans les 20 secondes, le mode Configuration prend automatiquement fin. Tous les réglages modifiés sont mémorisés. Dans le champ d'affichage, la température réglée à nouveau s'affiche.

Menus en mode Configuration

Il est possible d'effectuer les réglages suivants :

Le menu	Réglage possible
Unité de température	°C (degrés Celsius) °F (degrés Fahrenheit)
Langue	Anglais Français Espagnol
Son	Marche Arrêt
Mode Économie d'énergie (Fonction Eco)	Marche Arrêt

Réglage de la température

Compartiment réfrigérateur

(Réglage possible de +35 °F à +46 °F)

Nous vous recommandons de régler la température sur +37 °F.

Évitez de stocker les produits alimentaires délicats à une température supérieure à +37 °F.

1. Activez le mode Configuration (Setup) à l'aide de la touche de sélection >.
2. Réglez la température comme vous le souhaitez à l'aide des touches de réglage + (température plus élevée) ou - (température moins élevée).

Fonctions spéciales

Les fonctions spéciales suivantes peuvent être sélectionnées ou affichées:

Mode Configuration

En mode Configuration, vous pouvez effectuer vos réglages personnels.

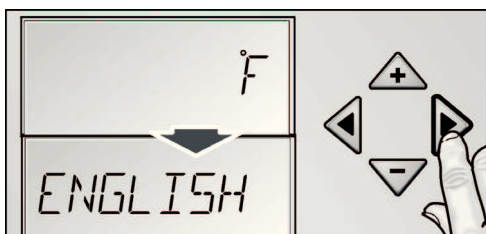
Allumage

Appuyez sur la touche de configuration.

Le premier menu s'affiche (unité de température).

Effectuer des réglages

1. Activez le mode Configuration (Setup).
2. Appuyez sur la touche de sélection < ou >. Le menu suivant et son réglage actuel (**ON** ou **OFF** la plupart du temps) s'affichent.



Mode Vacances

En cas d'absence prolongée, vous pouvez commuter l'appareil sur le mode Vacances, économe en énergie lui aussi.

Lors de l'activation du mode Vacances, les réglages suivants s'effectuent:

- L'appareil fonctionne en mode Économie d'énergie.
- L'éclairage est éteint.
- La fonction de super-réfrigération prend fin (si elle était activée).

Allumage

Appuyez sur la touche de mode Vacances.

La mention **VACATION** s'affiche.

Coupure de l'appareil

Appuyez sur la touche de mode Vacances.

Les réglages et températures antérieures se réactivent.

Mode Sabbat

L'activation du mode Sabbat a pour effet de désactiver les réglages suivants :

- Super-réfrigération
- Signal acoustique lors de l'actionnement d'une touche
- Éclairage intérieur
- Rétro-éclairage de l'affichage

Allumage

1. Appuyez sur la touche super du compartiment réfrigérateur et maintenez-la appuyée.
2. Appuyez sur la touche de mode Vacances.
3. Appuyez sur la touche super et maintenez-la appuyée 3 secondes d'affilée.
Le symbole **VACATION** apparaît clignotant et la mention SABBATH s'affiche.

Coupure de l'appareil

Appuyez sur la touche de mode Vacances.
Les réglages et températures antérieures se réactivent.

Mode Économie d'énergie

Lorsque vous activez la fonction d'économie d'énergie (fonction Eco), l'appareil commute sur un mode de fonctionnement économe. Cette fonction d'économie d'énergie a été pré-réglée en usine pour réduire la consommation énergétique. La luminosité du rétro-éclairage de l'affichage diminue également.

Allumage

1. Appuyez sur la touche de configuration.
2. Appuyez sur la touche de sélection > jusqu'à ce que la mention **ECO MODE** et le réglage actuel (**OFF**) s'affiche.
3. Appuyez sur la touche de réglage + pour commuter le réglage.
4. Appuyez sur la touche de configuration pour enregistrer le réglage.
La mention **ECO** s'affiche.

Coupure de l'appareil

1. Appuyez sur la touche de configuration.
2. Appuyez sur la touche de sélection > jusqu'à ce que la mention **ECO MODE** et le réglage actuel (**ON**) s'affiche.
3. Appuyez sur la touche de réglage – pour commuter le réglage.
4. Appuyez sur la touche de configuration pour enregistrer le réglage.

Super-réfrigération

Pendant la super-réfrigération, la température dans le compartiment réfrigérateur descend le plus bas possible pendant env. 6 heures. Ensuite, l'appareil commute sur la température réglée avant que vous n'activiez la super-réfrigération.

Activez la super-réfrigération par exemple :

- Avant de ranger de grandes quantités d'aliments.
- Pour refroidir rapidement des boissons.

Allumage

Appuyez sur la touche super-réfrigération.
Le symbole **SUPER*** s'affiche.



Fonction alarme

Remarque :

Les touches sont inopérantes tant qu'une mention d'avertissement s'affiche.

Cause

Une porte de l'appareil n'est pas correctement fermée, ou elle est restée trop longtemps ouverte.

Remède

Appuyez sur la touche alarme et fermez la porte. La mention s'éteint.

Le compartiment réfrigérateur

⚠ AVERTISSEMENT :

Ne rangez jamais de substances explosives dans l'appareil. Risque d'explosion !

Le compartiment réfrigérateur est l'endroit idéal où ranger les plats finis de préparer, les pâtisseries, conserves, le lait condensé, le fromage dur, les fruits et légumes craignant le froid ainsi que les agrumes.

Attention lors de l'achat de produits alimentaires :

L'important, en ce qui concerne la durée de conservation de vos produits alimentaires, c'est leur fraîcheur à l'achat.

Principe fondamental : plus les produits à stocker arrivent frais dans le compartiment fraîcheur et plus ils demeureront longtemps frais.

Faites donc toujours bien attention, à l'achat, à la fraîcheur des produits alimentaires.

Produits tout prêts et liquides conditionnés : respectez la date limite de consommation préférentielle indiquée par le fabricant.

Consignes à respecter lors du rangement de produits alimentaires

- Rangez les aliments si possible bien emballés ou bien couverts. Ils garderont ainsi arôme, couleur et fraîcheur. Ceci empêche en outre que certains aliments ne communiquent leur goût à d'autres et que les pièces en plastique changent anormalement de couleur.
- Attendez que les boissons et aliments chauds aient refroidi à la température de la pièce avant de les ranger dans l'appareil.
- Dans le compartiment réfrigérateur, veillez à ce que les produits alimentaires n'obstruent pas les orifices de sortie d'air car cela gênerait sa circulation.
Les produits alimentaires rangés directement devant les orifices de sortie d'air peuvent geler au contact de l'air froid affluant.
- Les huiles et graisses n'entrent pas en contact avec les pièces en plastique et le joint de la porte.

Bac fraîcheur

L'appareil maintient la température régnant dans le bac fraîcheur proche de 32 °F. Le tiroir fraîcheur est recouvert d'un filtre spécial qui établit et maintient un climat humide idéal.

La basse température et l'humidité optimale de l'air créent des conditions de rangement idéales pour les produits alimentaires frais.

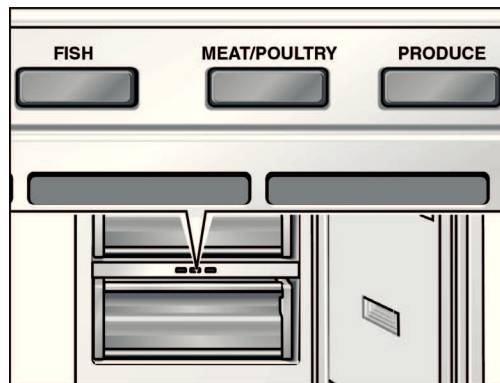
Il est possible de conserver les produits alimentaires jusqu'à trois fois plus longtemps que dans la zone de réfrigération, de maintenir ainsi encore plus longtemps la fraîcheur, de préserver les substances nutritives et le goût.

Touches de sélection pour le bac fraîcheur

Appuyez sur la touche correspondant aux produits alimentaires qui ont été rangés :

- FISH
Pour conserver le poisson et les fruits de mer.
- MEAT/POULTRY
Pour conserver la viande, de volaille comprise, la charcuterie et les plats précuisinés.
- PRODUCE
Pour stocker les fruits et légumes, les champignons et les herbes culinaires.

La sélection s'affiche par l'allumage de la touche correspondante.



Peuvent aller au compartiment fraîcheur :

Par définition tous les produits alimentaires frais et qui doivent le rester encore assez longtemps tels que le poisson frais, les fruits de mer, la viande et la charcuterie, produits laitiers et plats précuisinés.

Produits non-adaptés au compartiment fraîcheur :

Fruits et légumes craignant le froid (p. ex. les fruits tropicaux tels que les ananas, bananes, papayes, agrumes, melons, ainsi que les tomates, aubergines, courgettes, poivrons, concombres, pommes de terre). Le lieu de rangement idéal de ces produits alimentaires est le compartiment réfrigérateur.

Attention lors de l'achat de produits alimentaires :

L'important, en ce qui concerne la durée de conservation de vos produits alimentaires, c'est leur fraîcheur à l'achat.

Principe fondamental : plus les produits à stocker arrivent frais dans le compartiment fraîcheur et plus ils demeureront longtemps frais.

Faites donc toujours bien attention, à l'achat, à la fraîcheur des produits alimentaires.

Produits tout prêts et liquides conditionnés : respectez la date limite de consommation préférentielle indiquée par le fabricant.

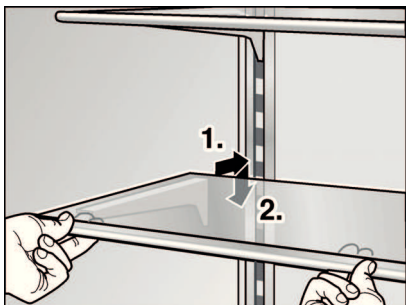
Equipement

Retirer les clayettes

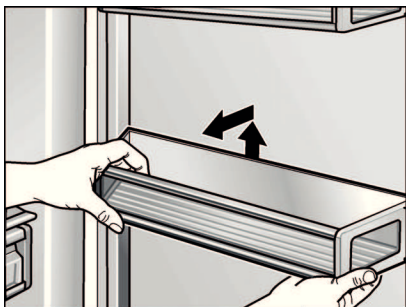
Vous pouvez modifier suivant besoin l'agencement des clayettes du compartiment intérieur et l'agencement des récipients en contre-porte.

Soulevez les clayettes et sortez-les.

Clayettes dans le compartiment intérieur

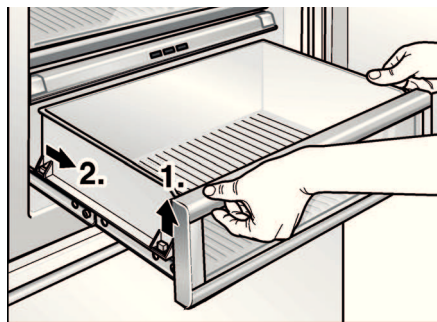


Rangements en contre-porte



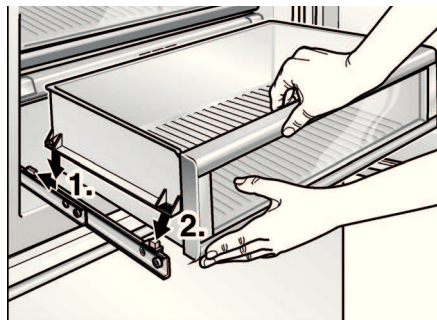
Tiroir dans le compartiment réfrigérateur

1. Soulevez les tiroirs légèrement et extrayez-les.



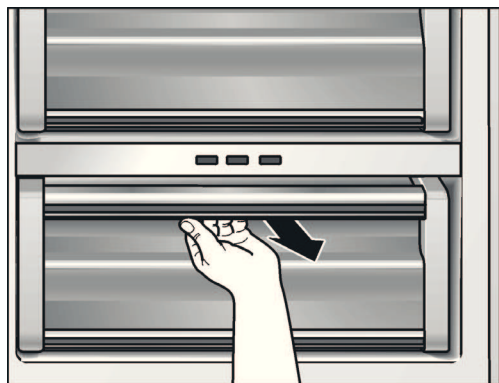
2. Soulevez les tiroirs légèrement et introduisez-les dans les dispositifs de sortie.

3. Abaissez le tiroir et poussez-le en arrière.

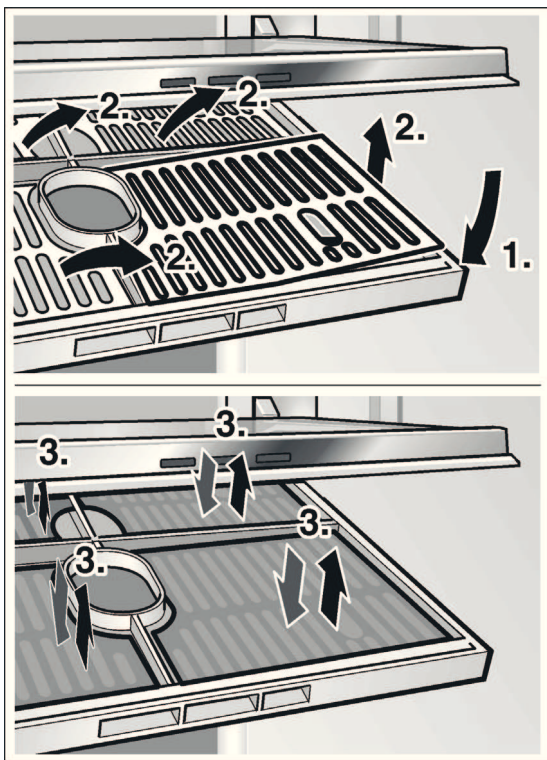


Retrait du filtre à humidité dans le bac fraîcheur

Commencez par extraire le bac fraîcheur. Ensuite, extrayez le filtre à humidité.



Soulevez le couvercle du filtre et retirez le filtre.



Arrêt et remisage de l'appareil

Coupure de l'appareil

Appuyez sur la touche Marche / Arrêt.
Le groupe frigorifique et l'éclairage s'éteignent.

Remisage de l'appareil

Si l'appareil doit rester longtemps sans servir :

1. Éteignez l'appareil.
2. Déconnectez la fiche mâle du réseau ou ramenez le disjoncteur en position éteinte.
3. Nettoyez l'appareil.
4. Laissez la porte de l'appareil ouverte.

Dégivrer l'appareil

Le dégivrage a lieu automatiquement.

Nettoyage de l'appareil

⚠ AVERTISSEMENT :

Ne nettoyez jamais l'intérieur de l'appareil avec un nettoyeur à vapeur !

⚠ ATTENTION :

- N'utilisez aucun produit de nettoyage contenant du sable, du chlorure ou de l'acide, ni aucun solvant.
- N'utilisez jamais d'éponges abrasives ou susceptibles de rayer. Des zones corrodées pourraient apparaître sur les surfaces métalliques.
- Ne nettoyez jamais les clayettes et les bacs au lave-vaisselle. Ces pièces pourraient se déformer !

Procédure :

1. Éteignez l'appareil avant de le nettoyer.
2. Déconnectez la fiche mâle du réseau ou ramenez le disjoncteur en position éteinte !
3. Ne nettoyez l'appareil qu'avec un chiffon doux, de l'eau tiède et du produit à vaisselle présentant un pH neutre. L'eau de nettoyage ne doit pas pénétrer dans l'éclairage.
4. N'essuyez le joint de porte qu'avec un chiffon et de l'eau propre ; ensuite, séchez-le à fond.
5. Après le nettoyage : reconnectez la fiche mâle de l'appareil puis rallumez-le.

Équipement

Pour nettoyer, il est possible de retirer toutes les pièces variables de l'appareil (voir le chapitre « Équipement »).

Éclairage (LED)

Votre appareil est équipé d'un éclairage par LED ne demandant pas d'entretien.

Les réparations de cet éclairage sont exclusivement réservées au service après-vente ou à des spécialistes autorisés.

Economies d'énergie

- Placez l'appareil dans un local sec et aérable. Veillez à ce que l'appareil ne soit pas directement exposé aux rayons solaires et qu'il ne se trouve pas à proximité d'une source de chaleur (par ex. radiateur, cuisinière).
Utilisez le cas échéant une plaque isolante.
- N'obstruez pas les grilles d'aération de l'appareil.
- Attendez que les plats chauds aient refroidi avant de les ranger dans le compartiment congélateur !
- Rangez les produits surgelés dans le compartiment réfrigérateur pour qu'ils dégèlent. Utilisez l'excédent de froid pour refroidir les aliments.
- N'ouvrez la porte de l'appareil que le plus brièvement possible !

Bruits de fonctionnement

Bruits parfaitement normaux

Bourdonnement sourd

Les moteurs tournent (par ex. groupes frigorifiques, ventilateur).

Clapotis, sifflement léger ou gargouillis

Le fluide frigorigène circule dans les tuyaux.

Cliquetis

Le moteur, les interrupteurs ou les électrovannes s'allument / s'éteignent.

Éviter la génération de bruits

L'appareil ne repose pas d'aplomb

Veillez mettre l'appareil d'aplomb à l'aide d'un niveau à bulle. Ajustez ensuite l'horizontalité par les pieds à vis ou placez un objet dessous.

L'appareil touche quelque chose

Eloignez l'appareil de meubles ou appareils voisins.

Les bacs ou surfaces de rangement vacillent ou se coincent

Vérifiez les pièces amovibles puis remettez-les en place correctement.

Des bouteilles ou récipients se touchent

Eloignez légèrement les bouteilles ou récipients les uns des autres.

Remédier soi-même aux petites pannes

Avant d'appeler le service après-vente (SAV) :

Vérifiez svp si vous ne pouvez pas remédier vous-même au dérangement à l'aide des instructions qui suivent.

Vous éviterez des dépenses inutiles car le déplacement du technicien du SAV vous sera facturé même pendant la période de garantie.

Appareil

Dérangement	Cause possible	Remède
L'appareil ne refroidit pas.	L'appareil est éteint.	Appuyez sur la touche Marche / Arrêt.
L'éclairage ne fonctionne pas.	Coupure de courant.	Vérifiez la présence de courant.
Affichage éteint.	Le fusible / disjoncteur a été retiré / se trouve en position éteinte.	Vérifiez le fusible / disjoncteur.
	Fiche mâle incorrectement branchée dans la prise de courant.	Vérifiez si la fiche mâle est bien branchée dans la prise de courant.
Le groupe frigorifique s'enclenche de plus en plus souvent et longtemps.	Vous avez ouvert fréquemment l'appareil.	N'ouvrez pas l'appareil inutilement.
	Les orifices d'apport et d'évacuation d'air sont recouverts par des objets faisant obstacle.	Enlevez ces obstacles.
	Vous venez de ranger une assez grande quantité d'aliments frais.	Activez la fonction super-réfrigération.
L'éclairage (LED) ne fonctionne pas.	L'éclairage par LED est défectueux.	Appelez le service après-vente.
	L'interrupteur de l'éclairage est coincé.	Vérifiez s'il peut s'enfoncer.
La zone d'affichage contient un « E.. ».	L'électronique a détecté un défaut.	Appelez le service après-vente.

La zone d'affichage contient un « LOWPOWER ».

La tension du secteur descend actuellement en dessous de la tension limite admissible.

Si la tension du secteur revient sur la valeur prescrite, le message d'avertissement s'éteint. Si ce message d'avertissement persiste, prévenez votre compagnie distributrice d'électricité.

Service après-vente

Avant d'appeler le service après-vente, veuillez vous référer au chapitre « Remédier soi-même aux petites pannes ».

Après vérification conformément au chapitre « Remédier soi-même aux petites pannes », il est possible d'appeler en plus, gratuitement, le Thermador Customer Interaction Center au 1-800-735-4328 depuis tout le territoire des USA.

Au Canada, veuillez vous adresser à votre SAV Thermador ou composer le numéro 1-800-735-4328.

Si vous avez besoin que le SAV vous aide, veuillez avant de l'appeler noter les informations suivantes relatives à votre réfrigérateur congélateur afin de les avoir à portée de main et que le SAV vous aide de manière plus ciblée.

Nom du revendeur :

Adresse :

N° de téléphone :

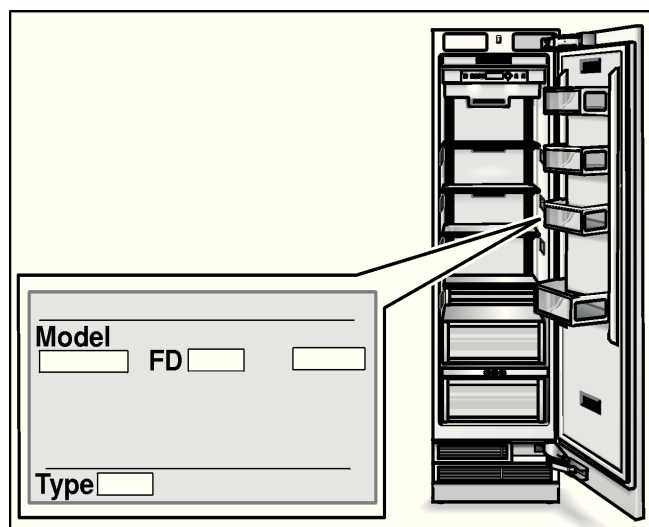
Date d'achat :

Numéro du modèle :

Numéro de fabrication (FD) :

Numéro de série

Type



Garantie

La garantie limitée fournie par BSH Home Appliances dans la présente garantie produit limitée s'applique uniquement au réfrigérateur-congélateur Thermador (ci-après dénommé « le produit ») qui vous a été vendu à vous son premier acheteur, à la condition que ce produit ait été acheté : (1) pour votre usage domestique normal (non commercial) et qu'il ait été constamment et uniquement utilisé à des fins domestiques normales ; (2) neuf chez le détaillant (qu'il ne s'agisse donc pas d'un modèle exposé vendu « tel quel » ou modèle ayant fait l'objet d'un retour) et pas à des fins de revente ou d'usage commercial ; et (3) sur le territoire des États-Unis ou du Canada, et qu'il soit resté tout le temps dans le pays où l'achat a eu lieu à l'origine. Les garanties énoncées dans les présentes conditions ne s'appliquent qu'au premier acquéreur et ne sont pas transférables.

Veillez bien à renvoyer votre carte d'enregistrement ; bien qu'elle ne soit pas indispensable à l'obtention de prestations dans le cadre de la garantie, elle constitue pour Thermador le meilleur moyen pour vous prévenir dans le cas peu probable où un avis de sécurité ou un rappel de produit serait émis.

Durée de la garantie : Thermador garantit que le produit est exempt de vices de matière et de fabrication pour une période de 365 jours à compter de la date d'achat. La durée de garantie susmentionnée court à partir du jour de l'achat et ne sera retardée, suspendue, allongée ou remplacée pour aucune raison que ce soit. **Réparation /**

Remplacement en tant que remède exclusif : Pendant cette période de garantie, Thermador ou l'un de ses partenaires de SAV (service après-vente) agréés répareront gratuitement votre produit (sous réserve de certaines restrictions énoncées dans les présentes conditions) si ce dernier s'avère avoir reçu à la fabrication un vice de matière ou de main-d'œuvre. Si un nombre raisonnable de tentatives ont été accomplies sans succès pour réparer le produit, Thermador remplacera dans ce cas votre produit (Thermador sera en droit et selon son propre choix de vous fournir, contre supplément, des modèles plus modernes disponibles). Thermador peut décider souverainement que toutes les pièces et composants déposés redeviennent sa propriété exclusive. Toutes les pièces remplacées et/ou réparées assument l'identité de la pièce d'origine aux fins de la présente garantie, et la garantie couvrant de telles pièces ne s'en trouve pas rallongée.

Thermador a pour seule et unique responsabilité, en vertu de la présente garantie, de réparer le produit entaché d'un vice à la fabrication en recourant aux heures de service normales à un fournisseur de SAV agréé par Thermador. Pour des questions de sécurité et par souci de protéger vos biens, Thermador

déconseille vivement de réparer l'appareil par vous-même ou de recourir à un prestataire de SAV non agréé ; Thermador ne pourra aucunement être tenu responsable des réparations ou travaux accomplis par un prestataire de SAV non agréé. Si vous décidez de confier la réparation de votre produit à quelqu'un d'autre que le SAV agréé, VOUS PERDREZ AUTOMATIQUEMENT LE BÉNÉFICE DE LA GARANTIE. Les prestataires de SAV agréés sont des personnes ou sociétés qui ont été spécialement formées sur les produits Thermador et qui possèdent selon l'avis de Thermador une excellente réputation quant au service-client offert et à leurs aptitudes techniques (notez qu'il s'agit de sociétés indépendantes et non pas d'agents, partenaires, membres, filiales ou représentants de Thermador).

Nonobstant ce qui précède, Thermador n'assume aucun engagement ou responsabilité envers le produit si ce dernier se trouve sur un site distant (à plus de 160 kilomètres d'un prestataire de SAV agréé) ou s'il se trouve sur un site ou un environnement inaccessible, dangereux, menaçant ou à risques ; en pareil cas et si vous le souhaitez, Thermador continuera d'assumer certes les frais de main-d'œuvre et de pièces, et expédiera les pièces au SAV agréé le plus proche, mais vous continuerez de devoir assumer les frais de transport ou d'autres suppléments spéciaux facturés par la société de SAV dans le cas où elle se déclarerait prête à exécuter la commande.

Prolongation de la garantie limitée :

Thermador fournit en plus les garanties limitées suivantes :

- Garantie limitée de 2 ans : Thermador répare ou remplace tout composant (frais de main-d'œuvre non compris) dont il est prouvé qu'il présente un vice de matière ou de fabrication.
- Garantie limitée à 5 ans de l'électronique : Thermador répare ou remplace tout microprocesseur ou carte électronique de Thermador (frais de main-d'œuvre non compris) dont il est prouvé qu'ils présentent un vice de matière ou de fabrication.
- Garantie à vie contre la rouille perforante des pièces en acier inoxydable : Thermador répare ou remplace tout composant (frais de main-d'œuvre non compris) dont il est prouvé qu'il présente un vice de matière ou de fabrication.

Période de garantie expirée : Après l'expiration de la période de garantie, Thermador n'est aucunement tenu, par la loi ou autrement, de vous faire quelque concession que ce soit ; ceci s'applique aussi aux réparations, compensations proportionnelles ou à un remplacement du produit.

Exclusion de garantie : La garantie décrite ici exclut tous défauts ou dommages non directement imputables à des erreurs de la part de Thermador ; ceci inclut aussi les cas suivants : (1) utilisation du produit d'une manière quelconque différant de son utilisation normale, habituelle et prévue (y compris entre autres toute forme d'usage commercial, d'utilisation ou stockage en plein air d'un appareil électroménager prévu pour l'intérieur, l'utilisation du produit dans un avion ou sur un bateau) ; (2) préméditation, négligence, usage abusif, légèreté,

abandon, maniement incorrect, maintenance insuffisante, installation incorrecte ou négligente, manipulation, non-respect de la notice d'utilisation, maniement inadéquat, travaux accomplis par un SAV non autorisé (y compris les réparations par soi-même ou l'ouverture de l'appareil pour en examiner les organes internes) ; (3) ajustage, altération ou modification de toute sorte ; (4) manquement à se conformer à tout code, règlement ou loi applicable dans l'État, la province, la région, la ville ou la circonscription et visant les domaines électricité, sanitaires et bâtiment, y compris le manquement à installer le produit en stricte conformité avec les codes et règlements locaux anti-incendie et sur la construction ; (5) usure normale pendant l'utilisation, renversement de nourriture, de liquides, accumulations de matière grasse ou de toutes autres substances sur, dans le produit ou autour de lui ; et (6) toutes forces et facteurs externes, de la Nature et/ou environnementaux, y compris – entre autres – la pluie, le vent, le sable, les inondations, incendies, les coulées de boue, le gel, une humidité excessive ou une exposition prolongée à l'humidité, des coupures de courant, la défaillance structurelle de l'environnement de l'appareil ainsi que les cas de force majeure. En pareil cas, Thermador ne répond aucunement des dommages occasionnés à l'environnement du produit, p. ex. les placards, sols/fonds, plafonds et autres structures ou objets à proximité du produit. Sont également exclus de la garantie les rayures, pliures, bosses mineures et dégâts cosmétiques sur les surfaces externes et pièces exposées, les produits dont les numéros de série ont été modifiés, effacés ou retirés ; les visites du SAV pour enseigner au client à utiliser le produit, ou les visites après lesquelles il s'avère que le produit fonctionne parfaitement bien ; la rectification de problèmes d'installation (vous êtes seul(e) responsable de tout impératif architectural et de la mise en place du produit, entre autres relativement au raccordement électrique, raccordement de tuyauteries ou d'autres connexions, de ce que les fondations / le plancher soient adéquats, et de toute modification telles que par exemple l'incorporation dans des meubles, murs, planchers, étagères, etc.) ; et le réarmement / remontage des disjoncteurs et fusibles.

DANS LES LIMITES AUTORISÉES PAR LA LOI, LA PRÉSENTE GARANTIE DÉFINIT LES VOIES DE RECOURS EXCLUSIVES DONT VOUS BÉNÉFICIEZ RELATIVEMENT AU PRODUIT, QUE LA RÉCLAMATION SOIT FONDÉE SUR UN CONTRAT OU UN ACTE ILLICITE (Y COMPRIS LA RESPONSABILITÉ INDÉPENDamment DE LA FAUTE OU LA NÉGLIGENCE). LA PRÉSENTE GARANTIE REMPLACE TOUTES LES AUTRES GARANTIES, EXPLICITES OU IMPLICITES. TOUTE PROMESSE IMPLICITE QUE CE SOIT DE COMMERCIALISABILITÉ ET D'ADÉQUATION À UN BUT PRÉCIS OU D'APTITUDE DIVERSE, OU SUR UNE BASE QUELCONQUE, NE VAUT QUE POUR LA PÉRIODE PENDANT LAQUELLE LA PRÉSENTE GARANTIE LIMITÉE EXPRESSE EST EN VIGUEUR. EN AUCUN CAS LE FABRICANT NE SERA RESPONSABLE DE DOMMAGES CONSÉCUTIFS, SPÉCIAUX, INCIDENTS, INDIRECTS, OU DE « PERTES

COMMERCIALES » ET/OU DE DOMMAGES ET INTÉRÊTS PUNITIFS, PERTES OU DÉBOURS, Y COMPRIS – ENTRE AUTRES – LE TEMPS NON TRAVAILLÉ, LES REPAS À L'HÔTEL ET/OU AU RESTAURANT, LES FRAIS DE TRANSFORMATION DÉPASSANT LES DOMMAGES DIRECTS INDISPUTABLEMENT PROVOQUÉS EXCLUSIVEMENT PAR THERMADOR, OU AUTREMENT. CERTAINS ÉTATS NE PERMETTANT PAS D'EXCLURE OU LIMITER LES DOMMAGES INCIDENTS OU CONSÉCUTIFS, ET CERTAINS ÉTATS NE PERMETTANT PAS DE RESTREINDRE LA DURÉE DE VALIDITÉ DE LA GARANTIE IMPLICITE, LES RESTRICTIONS QUI PRÉCÈDENT PEUVENT SELON LES CIRCONSTANCES NE PAS S'APPLIQUER À VOTRE CAS. LA PRÉSENTE GARANTIE VOUS CONFÈRE DES DROITS LÉGAUX SPÉCIFIQUES, SACHANT QUE VOUS POUVEZ ÉGALEMENT DÉTENIR, EN PLUS, D'AUTRES DROITS VARIANT D'UN ÉTAT À UN AUTRE.

Toute tentative visant à altérer, modifier ou élargir la présente garantie sera nulle si elle n'a pas été confirmée par écrit par un cadre membre de BSH.

Recours en garantie : pour solliciter la garantie couvrant votre produit, veuillez contacter un centre de SAV Thermador agréé situé près de chez vous.

BSH Home Appliances

**5551 McFadden Avenue, Huntington Beach, CA 92649
/ 800-944-2904**

es-mx Índice

Consejos y advertencias de seguridad	31	Cajón fresco.....	37
Definición	31	Teclas de ajuste del cajón fresco	37
Antes de emplear el aparato nuevo	31	Alimentos adecuados para guardar en el cajón para conservación fresca:	37
Seguridad técnica	31	Alimentos no adecuados para guardar en el compartimento fresco:	37
Al usar el aparato.....	31	Puntos a tener en cuenta al comprar alimentos frescos:.....	38
En caso de haber niños en el hogar.....	32	Equipamiento	38
Observaciones de carácter general	32	Retirar los estantes	38
Instalación del aparato.....	32	Cajón en el compartimento frigorífico.....	38
Transporte.....	32	Retirar el filtro de humedad del cajón fresco	38
Sitio de emplazamiento.....	32	Desconexión y paro del aparato.....	39
Ventilación	32	Desconectar el aparato.....	39
Conectar el aparato a la red eléctrica	32	Paro del aparato.....	39
Conexión a la red eléctrica	32	Al desescarchar el aparato.....	39
Familiarizándose con la unidad	33	Limpieza del aparato.....	39
Elementos de mando	34	Equipamiento	39
Conectar el aparato.....	34	Iluminación interior (LED).....	39
Advertencias relativas al funcionamiento del aparato	34	Consejos prácticos para ahorrar energía eléctrica....	40
Ajuste del idioma	35	Ruidos de funcionamiento del aparato	40
Ajustar la temperatura.....	35	Ruidos de funcionamiento normales del aparato..	40
Compartimento frigorífico	35	Ruidos que se pueden evitar fácilmente.....	40
Funciones especiales.....	35	Pequeñas averías de fácil solución.....	40
Modo «Configuración»	35	Aparato.....	40
Modo «Vacaciones».....	35	Servicio de Asistencia Técnica	41
Modo «Sabbath».....	36	Garantía	42
Modalidad de ahorro energético.....	36		
Superfrío	36		
Activar la función.....	36		
Función «alarm»	36		
Compartimento frigorífico	37		
Puntos a tener en cuenta al comprar alimentos frescos:.....	37		
Puntos a tener en cuenta al colocar los alimentos en el aparato	37		

Consejos y advertencias de seguridad

Definición

AVISO

Esto indica que la consecuencia en caso de incumplimiento puede ser la muerte o lesiones graves.

ATENCION

Esto indica que en caso de incumplimiento, la consecuencia pueden ser lesiones leves o de mediana gravedad.

Antes de emplear el aparato nuevo

¡Lea detenidamente las instrucciones de uso y de montaje de su aparato! En éstas se facilitan informaciones y consejos importantes relativos a su seguridad personal, así como a la instalación, el manejo y el cuidado correctos del mismo.

El fabricante no se responsabiliza en absoluto de eventuales daños y perjuicios que pudieran producirse en caso de incumplimiento por parte del usuario de los consejos y advertencias de seguridad que se facilitan en las presentes instrucciones. Guarde las instrucciones de uso y de montaje para ulteriores consultas o para un posible propietario posterior.

Seguridad técnica

En caso de resultar dañado el cable de conexión del aparato y tener que sustituirlo, estos trabajos sólo podrán ser ejecutados por electricistas, técnicos del Servicio de Asistencia Técnica Oficial de la marca o personas con una cualificación profesional similar. La instalación o reparación efectuadas de modo erróneo o incorrecto pueden implicar serios peligros para el usuario.

Las reparaciones que fuera necesario efectuar sólo podrán ser ejecutadas por electricistas, técnicos del Servicio de Asistencia Técnica Oficial de la marca o personas con una cualificación profesional similar. Sólo podrán utilizarse piezas originales del fabricante. Sólo en el caso de utilizar piezas originales del fabricante, éste garantiza que cumplan las exigencias de seguridad planteadas.

Una prolongación del cable de conexión sólo se puede adquirir a través del Servicio de Asistencia Técnica Oficial.

El equipo se entrega con un cable de 3 conductores registrado según UL para su conexión a la red.

No se deberá cortar ni eliminar bajo ninguna condición el tercer conductor (de puesta a tierra).

El equipo requiere de un tomacorrientes de 3 polos. El tomacorrientes deberá ser instalado por personal especializado en electricidad.

Donde se encuentre un tomacorrientes de pared de 2 polos estándar, es responsabilidad personal y obligación del cliente, cambiar el mismo por un tomacorriente de 3 polos con toma de tierra de acuerdo a las prescripciones, reemplazando el que se encuentra instalado. No utilizar enchufes adaptadores.

Al usar el aparato

- No usar aparatos eléctricos en el interior de la unidad (por ejemplo calefacciones, heladoras, etc.). ¡Existe peligro de explosión!
- ¡No utilizar ningún tipo de limpiadora de vapor para desescarchar o limpiar la unidad! El vapor caliente podría penetrar en interior del aparato, accediendo a los elementos conductores de corriente y provocar cortocircuitos. ¡Peligro de descarga eléctrica!
- ¡No rascar el hielo o la escarcha con ayuda de objetos metálicos puntiagudos o cortantes! Los conductos del agente refrigerante del compartimento de congelación podrían resultar dañados. Téngase presente que la salida a chorro del agente refrigerante puede inflamarse o provocar lesiones en los ojos.
- No guardar productos combinados con agentes o gases propelentes (por ejemplo sprays) ni materias explosivas en el aparato. ¡Existe peligro de explosión!
- No utilizar el zócalo, los cajones o las puertas de la unidad como pisaderas o reposapiés.
- Antes de desescarchar o limpiar el aparato, extraer el enchufe de conexión de la toma de corriente de la red o desconectar el fusible. ¡No tirar del cable de conexión del aparato, sino asirlo siempre por el cuerpo del enchufe!
- Tenga presente que las bebidas con un alto grado de alcohol necesitan envases con cierre hermético, debiéndose colocar siempre en posición vertical.
- No permitir que las grasas y aceites entren en contacto con los elementos de plástico del interior del aparato o la junta de la puerta. El plástico y la junta de goma son materiales muy susceptibles a la porosidad.
- No obstruir ni cubrir nunca las rejillas de ventilación y aireación del aparato.
- Las personas con facultades físicas, sensoriales o mentales mermadas o que carezcan de los conocimientos necesarios, sólo podrán manipular el aparato bajo vigilancia con una instrucción minuciosa y detallada por otras personas.

En caso de haber niños en el hogar

- No dejar que los niños jueguen con el embalaje del aparato o partes del mismo.
¡Existe peligro de asfixia a causa de los cartones y las láminas de plástico!
- ¡No permita que los niños jueguen con la unidad ni se sienten sobre los cajones o se columpien de las puertas!
- ¡En caso de disponer la unidad de una cerradura, guardar la llave fuera del alcance de los niños!

Observaciones de carácter general

El aparato ha sido diseñado para refrigerar alimentos. El presente aparato ha sido diseñado para el uso doméstico en el hogar particular o en su entorno. La estanqueidad del circuito de refrigeración viene verificada de fábrica.

Instalación del aparato

Encargar la instalación y conexión del aparato a la red eléctrica a un técnico especialista, de conformidad a las presentes instrucciones de montaje.

Transporte

Los aparatos son pesados y tienen que asegurarse durante el transporte y montaje.

A causa del elevado peso y las dimensiones del aparato y con objeto de evitar o reducir a un mínimo los riesgos de daños o lesiones personales o desperfectos en el aparato, se requieren como mínimo dos personas para garantizar una instalación segura del mismo.

Sitio de emplazamiento

El Sitio más adecuado para el emplazamiento del aparato es una habitación seca, dotada de una buena ventilación. El aparato no debe instalarse de forma que reciba directamente los rayos del sol, ni tampoco encontrarse próximo a focos activos de calor tales como cocinas, calefacciones, etc. No obstante, si esto último fuera inevitable, se habrá de proteger la unidad con un panel aislante adecuado, o bien observar las siguientes distancias mínimas de separación con respecto a la fuente de calor en cuestión:

- Cocinas eléctricas y de gas, 3 cm.
- Cocinas de gas-oil o de carbón, 30 cm.

El suelo en el Sitio de emplazamiento del aparato deberá poseer una suficiente capacidad de sustentación. En caso necesario deberá reforzarse adecuadamente. Para asegurar el funcionamiento correcto del dispensador de hielo, el aparato tiene que encontrarse en posición vertical.

Ventilación

La ventilación y aireación del compresor sólo tiene lugar a través de la rejilla de ventilación del zócalo. No cubrir la rejilla de ventilación ni colocar objetos delante de la misma. De lo contrario, el aparato tendrá que aumentar su rendimiento, provocando un consumo de energía eléctrica elevado e inútil.

Conectar el aparato a la red eléctrica

Tras colocar el aparato en su emplazamiento definitivo deberá dejarse reposar éste durante aprox. una hora antes de ponerlo en funcionamiento. Durante el transporte del aparato puede ocurrir que el aceite contenido en el compresor penetre en el circuito del frío.

Limpiar el interior del aparato antes de su puesta en funcionamiento inicial (véase el capítulo «Limpieza el aparato»).

Conexión a la red eléctrica



AVISO:

¡Evite el peligro de una descarga eléctrica!



AVISO:

Conectar a un tomacorrientes tripolar con toma de tierra. Nunca eliminar la toma de tierra. No utilizar adaptadores. No utilizar cables de prolongación.



AVISO:

Un fallo en la ejecución de estas determinaciones, pueden ser causa de la muerte, incendios o descargas eléctricas. En caso de una conexión incorrecta del conductor de protección, pueden producirse descargas eléctricas. Haga controlar el equipo por un electricista calificado o por un técnico del servicio técnico, si existen dudas respecto de la correcta conexión a tierra del equipo.

La toma de corriente tiene que estar situada en las proximidades del aparato y ser libremente accesible tras su instalación.

El aparato corresponde al tipo de protección I. Conectar el aparato a una red de 115 V/60 Hz de corriente monofásica (corriente alterna) a través de una toma de corriente instalada correctamente y provista de conductor de protección. La toma de corriente debe estar protegida con un fusible de 10-16 amperios.

El equipo se entrega con un conductor de conexión a la red registrado en UL de 3 conductores. El equipo requiere de un tomacorrientes de 3 polos. Favor de tener en cuenta la tabla siguiente en combinación con este aspecto:

Aparato	Carga máxima simultánea
Frigorífico	2.0 amperios

Controlar que las indicaciones contenidas en la chapa de características concuerden con la tensión y el tipo de corriente de su red en cuanto a sus valores. La ubicación de la chapa de características se encuentra en el capítulo de servicio a clientes.



AVISO:

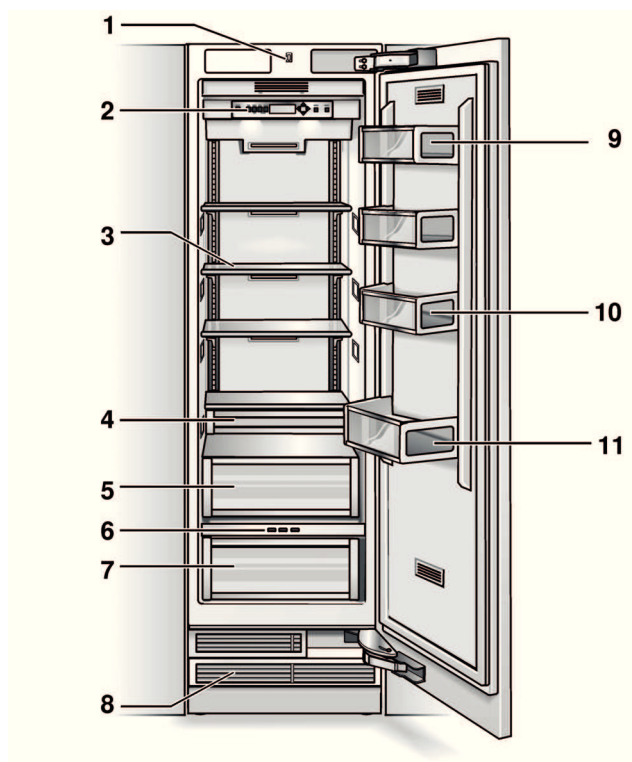
El aparato no se podrá conectar en ningún caso a conectores electrónicos para ahorro energético.

Nuestros aparatos se pueden conectar a rectificadores de corriente por onda sinusoidal o conmutados por red. Los rectificadores conmutados por red se emplean en las instalaciones fotovoltaicas conectadas directamente a la red pública de abastecimiento de corriente eléctrica. Para aplicaciones aisladas, como por ejemplo en buques o albergues de montaña que no disponen de conexión a la red eléctrica, tienen que emplearse rectificadores de onda sinusoidal.

Familiarizándose con la unidad

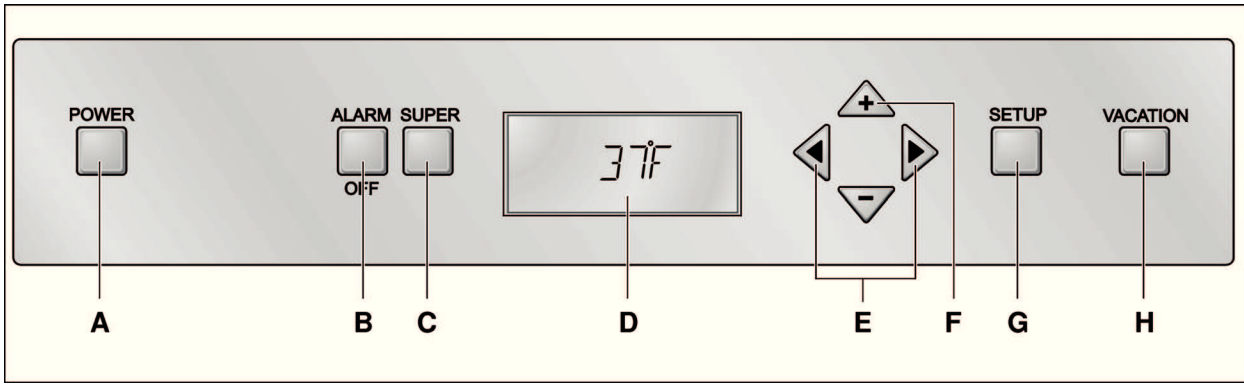
Las presentes instrucciones de uso son válidas para varios modelos de aparato.

Por ello es posible que las ilustraciones muestren detalles y características de equipamiento que no concuerdan con las de su aparato concreto.



- 1 Interruptor de la iluminación interior
- 2 Elementos de mando
- 3 Bandeja de vidrio en el compartimento frigorífico
- 4 Cajón para aperitivos y tarros
- 5 Cajón para fruta y verdura
- 6 Teclas de ajuste del cajón fresco
- 7 Cajón fresco
- 8 Ventilación
- 9 Compartimento para guardar la mantequilla y el queso
- 10 Estante de la puerta
- 11 Botellero para guardar botellas grandes

Elementos de mando



A Tecla para conexión y desconexión del aparato

Para la conexión y desconexión del aparato completo.

B Tecla «alarm»

Desactiva la alarma acústica (véase el capítulo «Función alarm»).

C Tecla «super» Compartimento frigorífico

Conecta y desconecta la función de superfrío.

D Pantalla de visualización

En la pantalla de visualización se muestran las temperaturas del compartimento frigorífico. Las funciones especiales activadas se muestran mediante símbolos.

Mediante el modo «Configuración» se muestran en pantalla, los menús y las opciones de ajuste disponibles. Véase el capítulo «Modo Configuración».

E Teclas selectoras

El ajuste de la temperatura se activa mediante las teclas, véase el capítulo «Ajustar la temperatura».

Para seleccionar un menú en el modo «Configuración», véase el capítulo «Funciones especiales».

F Teclas de ajuste

La temperatura se puede modificar mediante las teclas de ajuste. Véase al respecto el capítulo «Ajustar la temperatura».

En el modo «Configuración» se pueden efectuar los siguientes ajustes, véase el capítulo «Funciones especiales».

G Tecla «setup»

Esta tecla activa y pone fin al modo «Configuración». Poniendo fin al modo «Configuración» con la tecla «setup» se memorizan las modificaciones efectuadas.

H Tecla Vacaciones

Activa y desactiva el modo «Vacaciones» (véase el capítulo «Funciones especiales», «Modo Vacaciones»).

Nota:

Cada pulsación de la tecla es confirmada mediante un sonido acústico en caso de estar activada dicha opción (ON) en el menú «SONIDO» del modo «Configuración».

Símbolos en la pantalla de visualización



La función «Superfrío» está activada (véase el capítulo «Superfrío»).



El modo «Vacaciones» está activado, véase el capítulo «Funciones especiales».



Se muestra un aviso, véase el capítulo «Función alarm».

Conectar el aparato

Conectar el aparato a través de la tecla para conexión y desconexión.

El aparato comienza a refrigerar. La iluminación interior está conectada con la puerta abierta.



ATENCIÓN:

Mantener alejadas las manos y los dedos de las aberturas en las puertas anteriores y posteriores del compartimento frigorífico. Peligro de lesiones para las manos o los dedos. Nunca permitir que los niños se suban a la puerta de la unidad refrigeradora o que jueguen con ella.

Advertencias relativas al funcionamiento del aparato

- Tras conectar el aparato pueden pasar varias horas hasta que se alcance la temperatura ajustada.
- Gracias al sistema automático No Frost, el compartimento frigorífico permanece libre de escarcha. El aparato no hay que desescarcharlo.

Ajuste del idioma

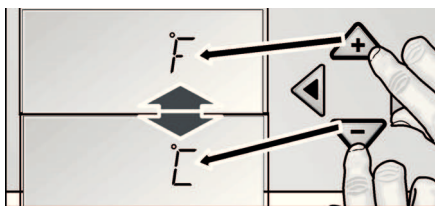
El idioma de diálogo se puede seleccionar en función de la tabla de selección que se muestra en el capítulo «Modo Configuración».

Para modificar el idioma de diálogo con la pantalla:

1. Pulsar la tecla «setup».
2. Pulsar las teclas selectoras < ó >, hasta que aparezca el idioma programado.
3. Pulsar las teclas de ajuste + ó - hasta que aparezca en la pantalla de visualización el idioma deseado.
4. Pulsar la tecla «setup» para memorizar los ajustes. En la pantalla de visualización se vuelve a mostrar la temperatura ajustada.

3. Pulsar las teclas de ajuste + ó -.

Los ajustes efectuados quedan almacenados tan pronto como se seleccione el menú a través de las < ó >.



Desconexión y paro de la unidad

Pulsar la tecla «setup».

El sistema memoriza todas las modificaciones efectuadas.

Nota:

En caso de no pulsar una tecla en el plazo de 20 segundos, el modo «Configuración» concluye automáticamente. El sistema memoriza todas las modificaciones efectuadas. En la pantalla de visualización se vuelve a mostrar la temperatura ajustada.

Menús del modo «Configuración»

En el menú «Configuración» se pueden efectuar los siguientes ajustes.

Menú	Posible posición
Magnitud de la temperatura	°C (grados centígrados) °F (grados Fahrenheit)
Idioma	Inglés Francés Español
Sonido acústico	Activado Desactivado
Modalidad de ahorro energético (Función Eco)	Activado Desactivado

Ajustar la temperatura

Compartimento frigorífico

(ajustable de +35 °F a +46 °F)

Se aconseja ajustar una temperatura de +37 °F.

Los alimentos delicados no deberán guardarse a una temperatura superior (más calor) a +37 °F.

1. Activar el modo «Configuración» mediante la tecla >.
2. Ajustar la temperatura deseada con ayuda de las teclas + (más calor) ó - (más frío).

Funciones especiales

Los siguientes funciones especiales se pueden seleccionar o mostrar:

Modo «Configuración»

En el modo «Configuración» puede Vd. realizar sus ajustes individuales.

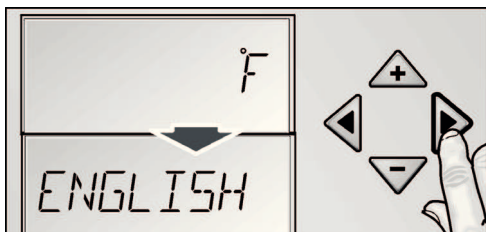
Activar la función

Pulsar la tecla «setup».

En la pantalla de visualización se muestra el primer menú (magnitud de la temperatura).

Efectuar los ajustes deseados

1. Activar el «Modo Configuración».
2. Pulsar las teclas selectoras < o >. En la pantalla de visualización se muestra el siguiente menú y su ajuste actual (casi siempre **ON** ó **OFF**).



Modo «Vacaciones»

Para los largos períodos de ausencia se puede conmutar el aparato al modo de ahorro energético «Vacaciones».

Al activar el modo «Vacaciones» se realizan los siguientes ajustes:

- El aparato trabaja en el modo de ahorro energético.
- La iluminación interior está desactivada.
- Se pone fin a la función «Superfrío» (en caso de estar activada).

Activar la función

Pulsar la tecla «Vacaciones».

En la pantalla de visualización aparece la leyenda **VACATION**.

Desconexión y paro de la unidad

Pulsar la tecla «Vacaciones».

Los ajustes y las temperaturas programados con anterioridad vuelven a activarse.

Modo «Sabbath»

Al activar el modo «Sabbath» se desconectan las siguientes funciones:

- Superfrío
- Señal acústica de confirmación al accionar una tecla
- Iluminación interior
- Iluminación de fondo de la pantalla de visualización

Conexión

1. Pulsar la tecla «super» para el compartimento frigorífico.
2. Pulsar la tecla «Vacaciones».
3. Mantener pulsada la tecla «super» durante otros tres segundos.

En la pantalla de visualización parpadea el símbolo **VACATION** y se muestra **SABBATH**.

Desconexión y paro de la unidad

Pulsar la tecla «Vacaciones».

Los ajustes y las temperaturas programados con anterioridad vuelven a activarse.

Modalidad de ahorro energético

En caso de estar activada a función de ahorro energético (función Eco), el aparato conmuta automáticamente al modo de funcionamiento de ahorro energético. Esta función de ahorro energético viene ajustada de fábrica a fin de reducir el consumo de energía eléctrica. La intensidad de la iluminación de fondo del aparato también se reduce.

Activar la función

1. Pulsar la tecla «setup».
2. Pulsar la tecla selectora > hasta que aparezcan en pantalla el modo **ECO MODE** y el ajuste actual (**OFF**).
3. Pulsar las teclas de ajuste + para modificar los ajustes.
4. Pulsar la tecla «setup» para memorizar los ajustes.
En la pantalla de visualización aparece la leyenda **ECO**.

Desconexión y paro de la unidad

1. Pulsar la tecla «setup».
2. Pulsar la tecla selectora > hasta que aparezcan en pantalla el modo **ECO MODE** y el ajuste actual (**ON**).
3. Pulsar las teclas de ajuste – para modificar los ajustes.
4. Pulsar la tecla «setup» para memorizar los ajustes.

Superfrío

Mediante esta función se enfría el compartimento frigorífico durante aprox. 6 horas hasta alcanzar la temperatura más baja posible, conmutando a continuación a la temperatura ajustada con anterioridad a la activación de la opción.

La función de superfrío se selecciona en caso de:

- antes de introducir grandes cantidades de alimentos,
- desear enfriar rápidamente bebidas.

Activar la función

Pulsar la tecla «Superfrío».

En la pantalla de visualización se muestra el símbolo **SUPER** ❄.



Función «alarm»

Nota:

Mientras permanezca activado en pantalla un aviso, no se puede accionar ninguna tecla.

Posible causa

Una de las puertas del aparato no está cerrada correctamente o ha permanecido abierta durante un tiempo demasiado prolongado.

Forma de subsanarla

Pulsar la tecla «alarm». Cerrar la puerta del aparato. La indicación se apaga.

Compartimento frigorífico

⚠ AVISO:

No almacenar sustancia explosivas en este equipo. ¡Existe peligro de explosión!

El compartimento frigorífico es el lugar ideal para guardar platos cocinados, pan y bollería, conservas, leche condensada, queso duro, fruta sensible al frío, verdura y cítricos.

Puntos a tener en cuenta al comprar alimentos frescos:

Que un alimento esté más o menos fresco en el momento de comprarlo es fundamental para su conservación.

Téngase presente: Cuanto más frescos sean los alimentos al introducirlos en el compartimento fresco, más tiempo se pueden guardar y conservar en el mismo.

Por lo tanto le aconsejamos preste suma atención a comprar siempre alimentos los más frescos posible.

En el caso de los platos preparados o alimentos envasados, deberá tenerse en cuenta la fecha de caducidad del producto indicada por el fabricante.

Puntos a tener en cuenta al colocar los alimentos en el aparato

- Colocar los alimentos empaquetados o bien cubiertos en la unidad. De este modo se evita que los alimentos se deshidraten, descoloren o pierdan su valor nutritivo y aroma. Además se evita la mezcla de olores y sabores, así como la descoloración de las piezas de plástico.
- Dejar enfriar los alimentos o bebidas calientes hasta una temperatura ambiente antes de introducirlos en el aparato.
- No obstruir ni bloquear con alimentos las aberturas de salida del aire a fin de permitir la libre circulación del mismo.

Los alimentos colocados en las inmediaciones de las aberturas de salida del aire pueden resultar congelados como consecuencia del aire frío que sale por éstas.

- No permitir que las grasas y aceites entren en contacto con los elementos de plástico del interior del frigorífico o la junta de la puerta.

Cajón fresco

La temperatura del cajón fresco se mantiene siempre en torno a los 32 °F. El cajón fresco está cubierto por un filtro especial que se encarga de retener la humedad y de crear unas condiciones de almacenamiento ideales.

La baja temperatura y el grado de humedad del aire óptimo proporcionan unas condiciones ideales para guardar los alimentos frescos.

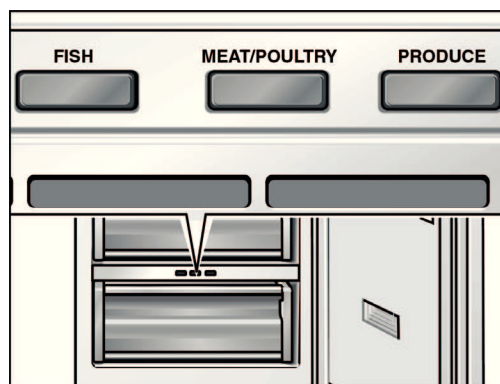
En el cajón fresco se pueden guardar los alimentos frescos hasta tres veces más tiempo que en el compartimento frigorífico normal.

Teclas de ajuste del cajón fresco

Pulsar la tecla correspondiente al alimento que se desea almacenar en el aparato:

- FISH
Para guardar por breve período alimentos y helados.
- MEAT/POULTRY
Para guardar carne, aves, embutido y platos cocinados.
- PRODUCE
Para guardar fruta, verdura y setas, así como hierbas finas.

La selección efectuada se muestra en la pantalla mediante la iluminación de la tecla correspondiente.



Alimentos adecuados para guardar en el cajón para conservación fresca:

Todos los alimentos frescos y que deben conservar su frescura durante un tiempo prolongado, por ejemplo: pescado fresco, marisco, embutido, productos lácteos, platos preparados.

Alimentos no adecuados para guardar en el compartimento fresco:

La fruta y verdura sensible al frío (por ejemplo cítricos y frutas tropicales como piñas, plátanos, papayas, naranjas, limones, melones y sandías, así como tomates, berenjenas, calabacines, pimientos, pepinos, patatas).

El lugar adecuado para guardar estos alimentos es el compartimento frigorífico.

Puntos a tener en cuenta al comprar alimentos frescos:

Que un alimento esté más o menos fresco en el momento de comprarlo es fundamental para su conservación.

Téngase presente: Cuanto más frescos sean los alimentos al introducirlos en el compartimento fresco, más tiempo se pueden guardar y conservar en el mismo.

Por lo tanto le aconsejamos preste suma atención a comprar siempre alimentos los más frescos posible.

En el caso de los platos preparados o alimentos envasados, deberá tenerse en cuenta la fecha de caducidad del producto indicada por el fabricante.

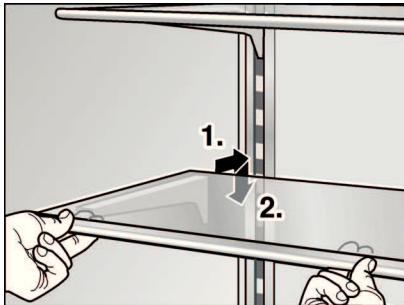
Equipamiento

Retirar los estantes

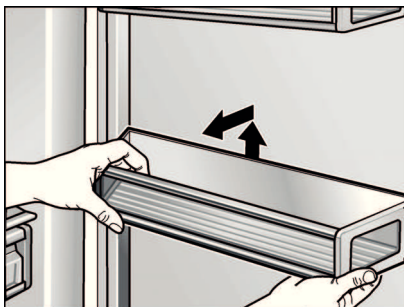
La posición de los estantes del interior del aparato y los estantes de la puerta se puede variar individualmente.

Alzar los estantes por su parte delantera y retirarla del aparato.

Estantes del interior del aparato

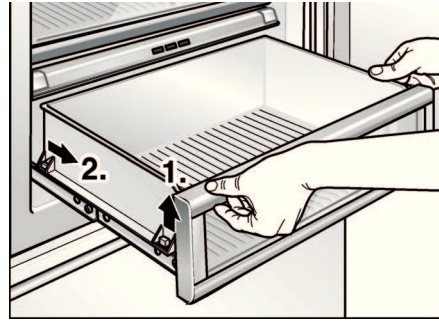


Estantes de la puerta

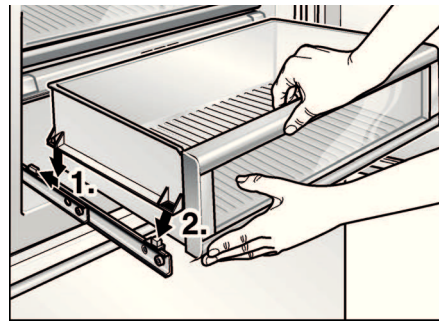


Cajón en el compartimento frigorífico

1. Levantar los cajones ligeramente y retirarlos del aparato.

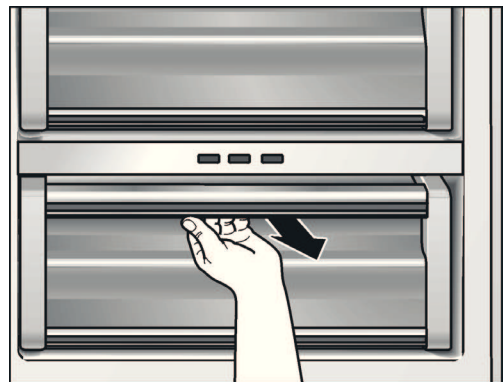


2. Levantar los cajones ligeramente por su parte frontal y colocarlos sobre los carriles telescópicos.
3. Bajar el cajón y desplazarlo hacia el fondo del aparato.

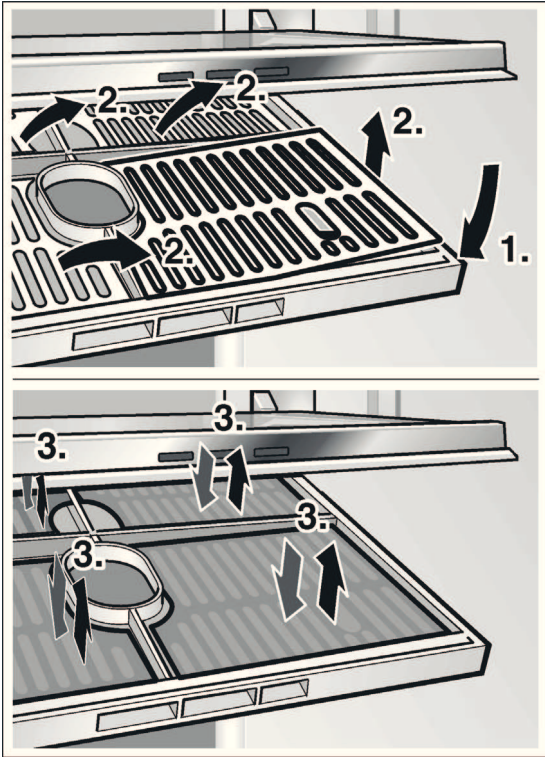


Retirar el filtro de humedad del cajón fresco

Retirar primero el cajón fresco. Extraer a continuación el filtro de humedad de su emplazamiento.



Levantar la tapa del filtro y retirar el filtro de su emplazamiento.



Desconexión y paro del aparato

Desconectar el aparato

Accionar la tecla de conexión y desconexión del aparato.

El compresor del aparato se desconecta y la iluminación interior del mismo se apaga.

Paro del aparato

En caso de largos períodos de inactividad de la unidad:

1. Desconectar el aparato.
2. Extraer el enchufe del aparato de la toma de corriente o desactivar el fusible.
3. Limpiar el aparato.
4. Dejar la puerta abierta.

Al desescarchar el aparato

El desescarchado del aparato se efectúa automáticamente.

Limpeza del aparato



AVISO:

¡No utilizar ningún tipo de limpiadora de vapor!



ATENCIÓN:

- No utilizar detergentes que contengan arena, cloro o ácidos. ¡No emplear tampoco disolventes!
- No emplear esponjas abrasivas. En las superficies metálicas podría producirse corrosión.
- No lavar nunca las bandejas, compartimentos o estantes del aparato en el lavavajillas. ¡Las piezas pueden deformarse!

Modo de proceder:

1. Desconectar el aparato antes de proceder a su limpieza.
2. ¡Extraer para ello el enchufe del aparato de la red de corriente, o desactivar el fusible!
3. Limpiar el aparato con un paño suave, agua templada y un poco de lavavajillas manual con pH neutro. Téngase presente que el agua empleada en la limpieza del aparato no debe entrar en contacto con la iluminación.
4. Limpiar la junta de la puerta sólo con agua clara, secándola bien a continuación.
5. Tras concluir la limpieza del aparato: Conectarlo a la red y ponerlo en funcionamiento.

Equipamiento

Los elementos variables del aparato se pueden extraer para su limpieza (véase el capítulo «Equipamiento»).

Iluminación interior (LED)

Su aparato está equipado con una iluminación por diodos luminosos exenta de mantenimiento.

Las reparaciones de este tipo de iluminación sólo podrán ser realizadas por personal técnico del Servicio de Asistencia Técnica Oficial de la marca o autorizado oficialmente por el fabricante.

Consejos prácticos para ahorrar energía eléctrica

- ¡Emplazar el aparato en una habitación seca y fresca, dotada de una buena ventilación! Recuerde además que el aparato no debe instalarse de forma que reciba directamente los rayos del sol, ni encontrarse tampoco próximo a focos activos de calor tales como cocinas, calefacciones, etc. No obstante, si esto último fuera inevitable, se habrá de proteger la unidad con un panel aislante adecuado.
- Prestar atención a que las aberturas de ventilación y aireación no estén nunca obstruidas.
- ¡Dejar enfriar los alimentos o bebidas calientes hasta temperaturas ambientes antes de introducirlos en el aparato!
- Descongelar los productos congelados en el interior del frigorífico. De esta manera se puede aprovechar el frío desprendido por los mismos para la refrigeración de los restantes alimentos guardados.
- ¡Mantenga abiertas las puertas del aparato el menos tiempo posible a fin de evitar al máximo las pérdidas de frío!

Ruidos de funcionamiento del aparato

Ruidos de funcionamiento normales del aparato

Ruidos en forma de murmullos sordos

Los motores están trabajando (compresores, ventilador).

Ruidos en forma de gorgoteo

Se producen al penetrar el líquido refrigerante en los tubos delgados una vez que ha entrado en funcionamiento el compresor.

Ruidos en forma de clic

El motor, los interruptores o las electroválvulas se conectan/desconectan.

Ruidos que se pueden evitar fácilmente

El aparato está colocado en posición desnivelada

Nivelar el aparato con ayuda de un nivel de burbuja. Calzarlo en caso necesario.

El aparato entra en contacto con muebles u otros objetos

Retirar el aparato de los muebles u otros aparatos con los que esté en contacto.

Los cajones o baldas oscilan o están agarrotados

Verificar los elementos desmontables y, en caso necesario, colocarlos correctamente.

Las botellas o recipientes entran en contacto mutuo

Separar algo las botellas y los recipientes.

Pequeñas averías de fácil solución

Antes de avisar al Servicio de Asistencia Técnica:

Compruebe si la avería o fallo que usted ha constatado se encuentra recogida en los siguientes consejos y advertencias.

Tenga presente que los gastos del técnico no quedan cubiertos por las prestaciones del servicio de garantía.

Aparato

Avería	Posible causa	Forma de subsanarla
El aparato no enfría.	El aparato está desconectado.	Accionar la tecla de conexión y desconexión del aparato.
La iluminación no funciona.	Un corte del suministro de corriente.	Verificar si hay corriente.
La pantalla de visualización no se ilumina.	El fusible está desactivado.	Verificar el fusible.
	El enchufe del aparato no está correctamente asentado en la toma de corriente.	Cerciorarse de que el enchufe esté asentado correctamente en la toma de corriente.
La frecuencia y duración de la conexión del compresor aumenta.	La puerta del aparato se ha abierto con demasiada frecuencia.	No abrir la puerta del aparato innecesariamente.
	Las aberturas de ventilación y aireación están obstruidas.	Eliminar la causa de la obstrucción.
	Al introducir grandes cantidades de alimentos frescos en el compartimento de congelación.	Activar la función «Superfrío».

La iluminación (LED) no funciona.	La iluminación de diodos luminosos está defectuosa. El interruptor de la luz está agarrotado.	Avisar al Servicio de Asistencia Técnica Oficial. Verificar la movilidad del interruptor.
En la pantalla de visualización aparece la indicación «E.».	El sistema electrónico ha detectado una avería.	Avisar al Servicio de Asistencia Técnica Oficial.
En la pantalla de visualización aparece la indicación «LOWPOWER».	La tensión de red es inferior al valor límite admisible.	Tan pronto como la tensión de red vuelve a alcanzar su valor prescrito, se apaga la indicación de avería. En caso de permanecer la indicación activada durante un tiempo prolongado, deberá avisarse a la empresa de abastecimiento de energía.

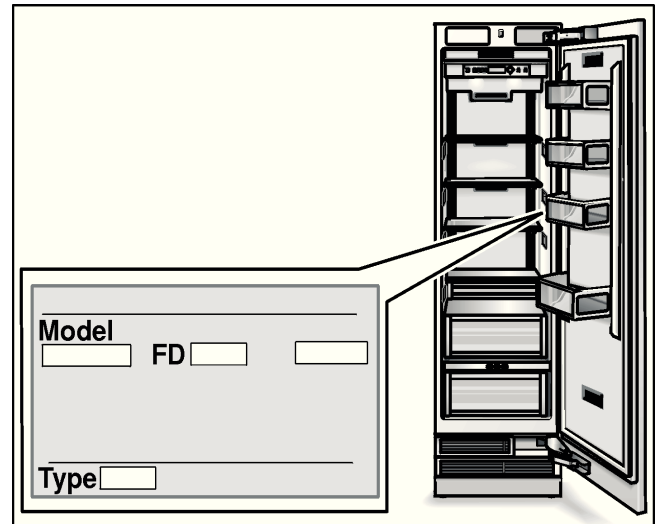
Servicio de Asistencia Técnica

Antes de llamar el servicio a clientes, rogamos consultar el apartado “Eliminación de pequeñas perturbaciones”.

Después de la consulta correspondiente en el apartado “Eliminación de pequeñas perturbaciones”, puede solicitarse ayuda adicional mediante un llamado a Thermador en el Thermador Customer Interaction Center, 1-800-735-4328 (libre de costes), desde cualquier punto de los E.E.U.U..

En el Canadá, rogamos consultar con el servicio a clientes Thermador o bien al número 1-800-735-4328.

Rogamos anotar las siguientes informaciones de su equipo refrigerador congelador, a fin de tenerlos a mano cuando necesite ayuda o la presencia del servicio a clientes, lo cual agilizará el procedimiento.



Nombre del comerciante:

Dirección:

Número de teléfono:

Fecha de compra:

Número del modelo:

Número del fabricación (FD):

Número de serie

Tipo

Garantía

La garantía restringida de BSH Home Appliances de esta garantía de producto restringida es válida solamente para la combinación refrigeradora-congeladora Thermador (el «producto»), que Usted ha adquirido como comprador primario, en cuanto el producto cumpla las siguientes condiciones: (1) fue adquirido para el uso normal (no comercial) en el hogar y fue usado siempre exclusivamente para el uso normal domiciliario; (2) como equipo nuevo en el comercio (no como pieza de exposición, «como visto» o como unidad de retorno) y tampoco para su reventa o para su uso comercial; y (3) en los Estados Unidos o en el Canadá y nunca ha abandonado el país en el que fuera adquirido originalmente. Las garantías aquí indicadas valen solamente para el comprador primario del producto y no son transferibles.

Favor de recordar, de enviar la tarjeta de registro de retorno; si bien no es necesaria para la prestación en el marco de la garantía, permite a Thermador notificarlo de la mejor manera en el improbable caso de una advertencia de seguridad o un llamado de retorno del producto.

Período de validez de la garantía: Thermador asegura que el producto está libre de fallos del material o en su elaboración, por un período de 365 días a partir de la fecha de compra. Este período comienza el día de la compra y no se retrasa por causa alguna, ni será interrumpido prolongado o reemplazado. **Reparación/recambio como medio legal exclusivo:** durante el período de garantía, Thermador o uno de sus servicios a clientes autorizados reparará su producto libre de costes (salvo el caso de limitaciones determinadas, aquí detalladas), si se determinara que su producto presenta un fallo de material o debido a un fallo en la fabricación. Si se hubieren efectuado una cantidad adecuada de intentos de reparación en el producto, Thermador reemplazará el mismo (podrá disponer de modelos más modernos, a discreción de Thermador, abonando una tasa adecuada). Todas las piezas y componentes desmontadas/os serán propiedad de Thermador, según Thermador disponga. Todas las piezas cambiadas y/o reparadas, adquieren la identidad de las piezas originales y no prolongan la garantía con vista a las piezas en cuestión.

La responsabilidad única de Thermador y aquella resultante de esta garantía consiste en la reparación del producto fallado por parte de fábrica, con la participación de un prestatario de servicio a clientes autorizado por Thermador durante los horarios comerciales normales. Por razones de seguridad y en vista a daños materiales, Thermador recomienda con insistencia, no reparar el producto personalmente o a través de un prestatario de servicio técnico no autorizado por Thermador. Thermador no se hace responsable por reparaciones o tareas efectuadas por un servicio a clientes no autorizado. Si Usted decidiera hacer reparar el producto por un servicio a clientes diferente al autorizado, ESTA GARANTIA CADUCA AUTOMATICAMENTE. Servicios a clientes autorizados

son aquellas personas o compañías, que fueron especialmente aleccionadas por Thermador y que poseen una reputación sobresaliente según opinión de Thermador, respecto de su prestación de servicios a clientes y de su capacidad técnica (advertencia: se trata de persona o compañías independientes. No de agentes, socios, filiales o representantes de Thermador).

Sin embargo, Thermador no asume responsabilidad de garantía para el producto, en caso de encontrarse éste en un sitio apartado (más de 160 Km de un servicio a clientes autorizado), o bien de difícil acceso, peligroso o traicionero, o bien en un entorno de este tipo; en este caso, si Usted lo desea, Thermador se hace cargo de los costes de trabajo y de material en el sitio de un servicio a clientes autorizado, al igual de los eventuales costes de envío desde la fábrica hasta un servicio a clientes autorizado, pero Usted deberá hacerse cargo de los costes desde el sitio de emplazamiento hasta el sitio donde se encuentra el servicio a clientes autorizado, siempre que éste esté dispuesto a efectuar la tarea.

Prolongación de la garantía restringida:

Thermador brinda adicionalmente, las siguientes garantías restringidas:

- 2 años de garantía restringida: Thermador repara o reemplaza piezas que evidencien fallos de material o de fabricación (sin los costes de trabajo).
- 5 años de garantía sobre la parte electrónica: Thermador reparará o cambiará todos los microprocesadores o plaquetas que evidencien fallos de material o de fabricación (sin los costes de trabajo).
- Garantía vitalicia contra destrucción por oxidación de las piezas de acero inoxidable: Thermador reparará o cambiará las piezas que evidencien fallos de material o de fabricación (sin los costes de trabajo).

Garantía caducada: Thermador no está obligada ni legalmente ni de otra forma, de hacerle concesiones de ningún tipo una vez caducado el período de garantía. Esto también tiene validez para las reparaciones, cuentas parciales o recambio de productos.

Exclusión de la garantía: la garantía aquí descrita, excluye todos los fallos o daños, que no sean debidos en forma directa a falencias por parte de Thermador; esto incluye los siguientes casos: (1) el uso del producto en forma distinta a la normal, usual y prevista (incluyendo entre otros, todo uso de tipo comercial, uso o almacenamiento del equipo a la intemperie, uso del equipo en combinación con vehículos aéreos o acuáticos); (2) manejo erróneo consciente, negligencia, uso indebido, ligereza, falta de atención, uso inadecuado, falta de mantenimiento, instalación defectuosa o impropia, manipulación, incumplimiento de las instrucciones de uso, manejo inadecuado, tareas efectuadas por personal no autorizado o inspección de las partes interior del equipo); (3) ajustes, modificaciones o alteraciones de cualquier tipo; (4) incumplimiento de normas o prescripciones eléctricas, sanitarias o de construcción, o bien leyes estatales, regionales,

comunales o de distrito, incluyendo la instalación del equipo, incumplimiento de las determinaciones contra incendios o edificaciones locales; (5) desgaste normal, alimentos derramados, líquidos, acumulación de grasas u otras sustancias que se acumulan en, dentro o alrededor del producto; y (6) fuerzas exteriores, naturales y/o de medio ambiente y factores como la lluvia, el viento, arena, inundaciones, incendios, aludes de lodo, congelamiento o humedad excesiva, o bien sobrecarga debida a humedad, rayos, cortes de la energía eléctrica, fallos en la estructura del entorno del equipo o bien casos de fuerza mayor. Thermador no se hace responsable en ningún caso por daños en el entorno como p. ej. armarios, pisos, techos u otras construcciones u objetos que se encuentran en la cercanía del producto. Además se excluyen de la garantía, ralladuras, torceduras o abollamientos menores y daños cosméticos en la superficie exterior y en partes expuestas, productos de los cuales se haya modificado, alterado o eliminado el número de serie; tareas del servicio a clientes, con el fin de aleccionar al cliente en el uso del producto, o si el producto no presentare fallo alguno; corrección de problemas en la instalación (Usted es responsable único de las condiciones constructivas y de la instalación del producto, entre otros, por la conexión eléctrica, la conexión de tuberías u otras conexiones, la base o suelo y su infraestructura y de las modificaciones necesarias, como p. ej. en los muebles, paredes, pisos, estanterías, etc.); el reseteo de conmutadores de protección de corriente o fusibles.

ESTA GARANTIA DETERMINA EL RECURSO LEGAL EXCLUSIVO EN EL MARCO LEGAL ADMISIBLE PARA EL PRODUCTO; SIN TENER EN CUENTA SI ELLO RESULTA DE UN CONTRATO O UN COMPORTAMIENTO NO PERMITIDO (INCLUYENDO RESPONSABILIDAD RESULTANTE DE CULPABILIDAD O NEGLIGENCIA). ESTA GARANTIA TOMA EL LUGAR DE TODAS LAS OTRAS GARANTIAS EXPRESAS O IMPLICITAS. TODA GARANTIA ELIPTICA según LA LEY, FUERA EN VISTA A USANZA DE MERCADO O ADECUACION PARA UN OBJETIVO DETERMINADO O CON BASE DE OTRO TIPO, SOLO TENDRA VALIDEZ EN EL PERIODO EXPRESADO EN ESTA GARANTIA RESTRINGIDA. EL FABRICANTE NO SE RESPONSABILIZA BAJO NINGUNA CONDICION POR DAÑOS SECUNDARIOS, ESPECIALES, SURGENTES DE PASO, PERDIDAS INDIRECTAS O «DAÑOS COMERCIALES» Y/O INDEMNIZACION QUE INVOLUCRA PENALIDAD, INCLUYENDO FALTA AL SITIO DE TRABAJO, COMIDAS EN HOTELES Y/O RESTAURANTES, COSTES DE REMODELACION MAS ALLA DE DAÑOS INMEDIATOS, QUE SON CAUSADOS UNIVOCAMENTE EXCLUYENTES POR THERMADOR U OTROS. EN ALGUNOS PAISES NO ES PERMITIDA LA EXCLUSION O LIMITACION DE DAÑOS SECUNDARIOS ORIGINADOS DE PASO Y OTROS PAISES NO PERMITEN EXCLUSIONES O LIMITACIONES RESPECTO DE LA DURACION DE GARANTÍAS ELIPTICAS, DE MODO QUE LAS RESTRICCIONES INDICADAS NO ENCUENTRAN APLICACION EN SU CASO BAJO ESTAS CONDICIONES. ESTA GARANTIA LE ASEGURA

DERECHOS ADICIONALES, PUDIENDO HABER POSIBLEMENTE OTROS DERECHOS QUE PUEDEN SER DIFERENTES SEGUN EL PAIS DEL CASO.

Cualquier intento de modificación de esta garantía, cambios o ampliaciones, solo tendrá validez después de una confirmación escrita firmada por un directivo de BSH.

Aplicación de la garantía: para poder aplicar esta garantía a su producto deberá dirigirse a un centro de servicio a clientes de Thermador en su cercanía.

BSH Home Appliances

**5551 McFadden Avenue, Huntington Beach, CA 92649
/ 800-944-2904**



9000646651
en-us, es-mx, fr-ca (9108)

Thermador[®]

5551 McFadden Avenue, Huntington Beach, CA 92649 • 1-800-735-4328
www.thermador.com • © 2011 BSH Home Appliances Corporation