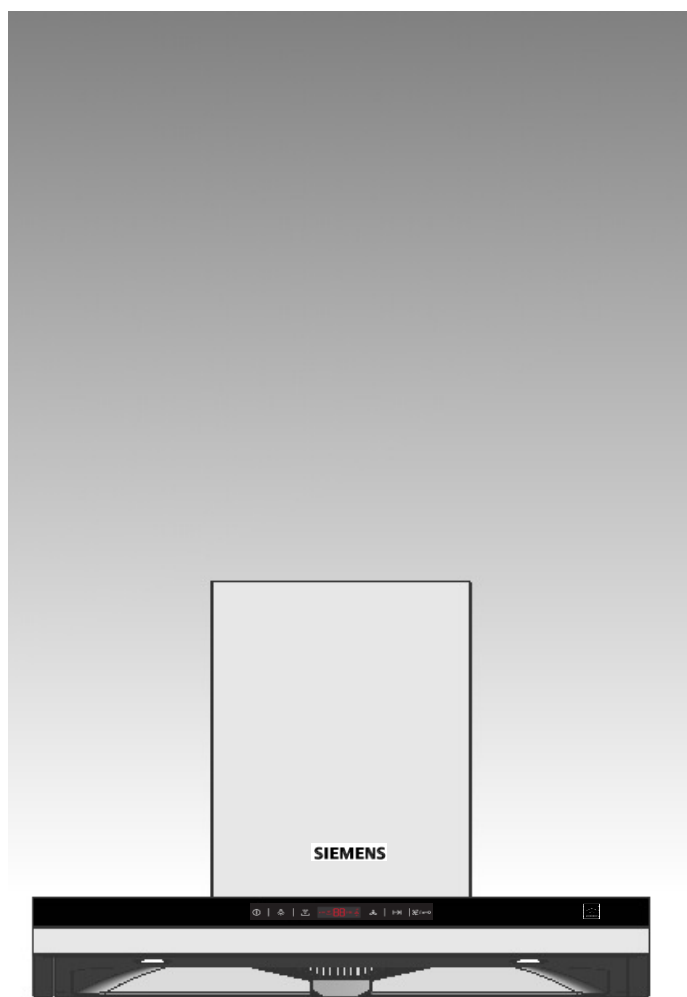


SIEMENS

Operating and Installation Manual for Cooker Hoods

en



LC35S955..
LC35S943..

Preface

Thank you for choosing Siemens cooking appliance.

Before using your appliance for the first time, please read these instructions for use carefully. They contain important information concerning your personal safety as well as on use and care of the appliance.

Any failure or losses caused by disregarding the precautions mentioned in this manual will not be covered under Siemens warranty.

Keep the instructions in a safe place for reference or for the subsequent owner. If in doubt, kindly contact our service centre or dealer.

Table of Contents

Key Information	Packaging of New Cooker Hood.....2
	Disposal of Used Cooker Hood.....2
	Before You Begin.....2
Product Introduction	Technical Parameters..... 3
	Product Standards.....3
	Safety Precautions.....3
Operating Instruction	Getting Familiar with Your New Cooker Hood.....5
	Control Panel5
	Operating Instruction6
Installation Instruction	Safety Precautions.....9
	Installation Position and Height.....10
	Installation of Fasteners.....11
	Fixing Cooker Hood.....12
	Connection of Exhausted Pipe.....12
	Connection of Adjustable Cover.....13
Installation of Oil Collector.....13	
Cleaning, Maintenance And Repair	Test Run.....14
	Cleaning and Maintaining Your Cooker Hood.....14
	Trouble Shooting.....15
	Changing the Halogen Bulb.....16
Customer Service	Tips.....17

Note:

BSH Electrical Appliances (Jiangsu) Co., Ltd reserves the right to change the content of this Operating and Installation Manual without prior notice.

Key Information

Packaging of New Cooker Hood

- You will receive your new appliance in a protective shipping carton. All packaging materials are environment friendly and recyclable. Please contribute to a better environment friendly manner.
- Do not let children play with the appliance or the packaging material.

Disposal of Used Cooker Hood



- You should discard the used cooker hood when it cannot be used any more. Please pull out the plug of the power cord and cut off the power cord.
- Old appliances are not worthless rubbish. Valuable raw materials can be reclaimed by recycling old appliances. Before disposing of your old appliance, render it unusable.

Before You Begin

- This appliance is intended for use in the private household and the home environment only. Use the appliance only for preparing food, not for heating rooms.
- Before using the appliance for the first time, please read this Operating and Installation Manual carefully. It contains important information concerning your personal safety as well as the use and care of the appliance.
- This Operating and Installation Manual applies to several different models. Accordingly, you may find descriptions of individual features that do not apply to your specific appliance.
- Check the appliance after unpacking it. Do not connect the appliance if it has been damaged during transport.
- The appliance must be connected to the mains only by a licensed and trained technician.

Product Introduction

Technical Parameters

Product Model	LC35S955..	LC35S943..
Appearance		
Rated Voltage	220-240V~50Hz	
Input Power Motor	150	
/ W Light	2X20	
Self Cleaning	70	
Air Volume / m ³ /h	870 ± 60	
Static Pressure / Pa	≥300(max.)	
Noise / dB (A)	≤69	
Net Weight / kg	20.5	
Dimension Length	900	900
/ mm Width	530	530
Height	575	575

Product Standards

- The product conforms to the following national standards:
IEC 60335-1:2001 (Ed 5.0+ Appendix: 2004+ Appendix: 2006) Household and similar electrical appliances –safety- Part 1 General Requirements

IEC 60335-2-31: 2006 (Ed 4.1) Household and similar electrical appliances –safety- Part 2-31 Particular requirements for range hoods and other cooking extractors

Safety Precautions

- ⚠ **Risk of Carbon Monoxide Intoxication!**
When the cooker hood is operated in exhaust air mode simultaneously with a different burner which also makes use of the same chimney, care must be taken to ensure that there is an adequate supply of fresh air which will be needed by the burner for combustion.
- ⚠ **Burn Risk!**
NEVER touch the lamp cover when the lamp is turned on or off immediately as you may get burnt.
- ⚠ **Fire Risk!**
Gas burners operated without cookware in position produce a great amount of heat. The appliance or an extractor hood fitted above it may be damaged or set on fire. Only operate gas burners with cookware in position.

Product Introduction

Overheated fat or oil is highly inflammable. Only prepare food cooked in fat or oil when cooking can be fully supervised.

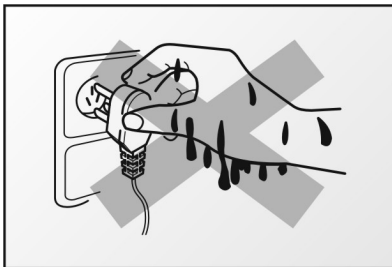
Under no circumstances attempt to extinguish burning fat or oil with water. Choke the fire using a lid or fire blanket.

Before using for the first time:

- Make sure the light bulb, grease filter frame, and oil collector of the cooker hood have already been correctly installed.

In Use:

- Accumulated oil and grease in the filter and oil collector increases the risk of fire and influences the efficiency of the cooker hood.
- Adults and children must not operate the appliance without supervision, if they are physically or mentally incapable of doing so, or if they lack the knowledge and experience required to operate the appliance correctly and safely.
- Light bulbs must always be fitted before the cooker hood is in use. Defective bulbs should be replaced immediately to prevent the remaining bulbs from overloading.



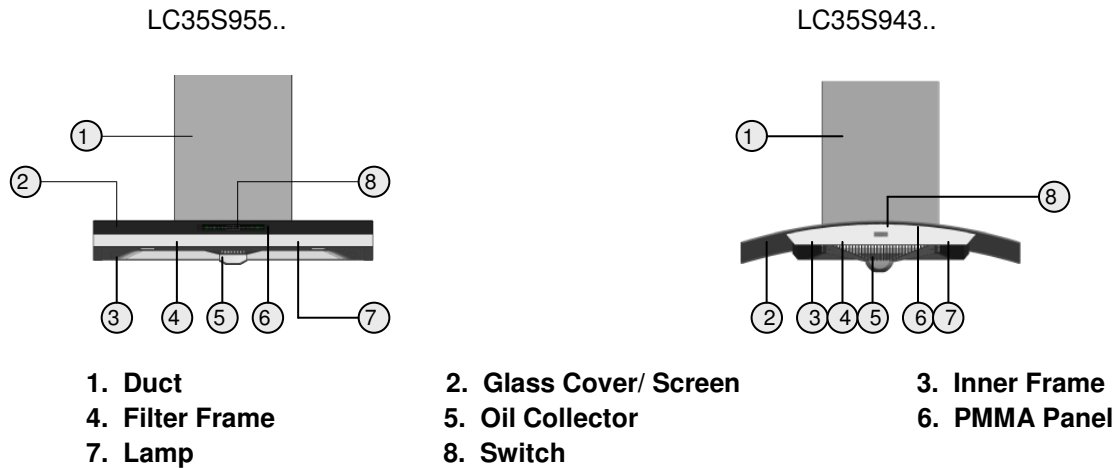
- NEVER insert or remove an electric plug with wet hands.
- DO NOT drag the wire to remove the electric plug.

After Use:

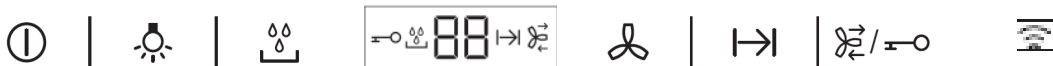
- If the cooker hood is not used for a long time, please remove the electric plug from power supply for safety.

Operating Instruction




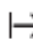
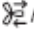
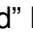
Getting Familiar with Your New Cooker Hood



Control Panel



This appliance uses advanced touch control. The surface is easy to clean up and it has a long life time.

1. “Fan Power ①” button
To turn on and off the fan power.
2. “Light ” button
To turn on and turn off the lamp. It can be controlled dividually, without influence of other buttons.
3. “Self Cleaning ” button
To turn on and off the self cleaning function.
4. “Fan Speed ” button
To control the fan speed.
5. “Time-lapse ” button
To set lapsing time to turn off the fan power.
6. “Auto-ventilation/locked ” button
To set the auto-ventilation and locked function.
7.  Gas hob → Cooker hood” Interlink function
The cooker hood has Interlink function with combined gas hob. (this symbol has no operating function)
The operation of gas hobs please follow the Operating and Installation Manual for Gas Hob.

Operating Instruction

Operating Instruction



1. Start the fan power: first push "①" button, fan is starting with max. speed 3, "3" and fan icon shown in screen, then push "⌘" button, fan speed will be changed circularly. (Tips: the number shown in the middle screen is the fan speed.)

No response by touching "⌘/↔" when fan is working, can not into auto-ventilation function.

2. Control Lighting: first push "⌘" button, the lamp will be turning bright in 1.5 sec. Brightness of lamps will be changed circularly by holding the button for over 1 sec.. When stop holding, it will keep the brightness which before stopping holding.

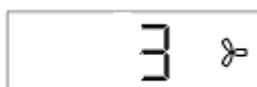
Lamps will be turned off slowly by push "⌘" button again.



3. Function Self-Cleaning: the symbol "⌘" will be twinkled in screen after using for a period. It means the grease are saturated in the cooker hood, the self cleaning function should start. Please first close any other functions (excepting lighting), then push "⌘" button, starts self cleaning process. If the self cleaning symbol is not shown in middle screen, and other functions are shut down, push "⌘" button for 3 sec., and the symbol is twinkling, self cleaning function can be then started by pushing "⌘" again.

This function will last 30 min., and count down will show in the middle screen. The function will close forward if running already 10min. by pushing "⌘" button for 3 sec. If running less than 10 min. and closing the function, "⌘" is twinkling to warn for another self cleaning process. User can push "⌘" for 3 sec. to cancel the warning when it is twinkling.

Other buttons besides lighting will have no response when this function is running. (Tips: please clean up the oil collector before running this function to avoid overflow in it. Do not leave when self cleaning is running.)



4. "⌘" change fan speed: fan speed will change circularly by every pushing "⌘" button once, when the cooker hood is working. (Tips: the number shown in the middle screen is the fan speed.)

Operating Instruction



5. Function time-lapse: push ' |→| ' once, it is shown in screen " 03 |→| ⌘ " when the cooker hood is working. Lapsed time to shut down the hood will change 1 min. by each pushing " |→| " button. It can regulate from 00 min. to max. 15min. (Tips: the double-digit number shown in the middle screen is lapsed minutes.)

The cooker hood shuts down automatically with display when the lapsed time is over.
If setting time is "00" and no regulation in 3 sec., the fan is keeping running and exits the time-lapse function. The cooker hood will be shut down if pushing the fan speed button when lapsed time is still running.



6. Function auto-ventilation: push " ⌘/→ " button once, the fan will operate 5 min./h under speed 1 when the fan is shut down.

It will show " 05 |→| ⌘ " in middle screen and count down starts. After 5 min. running, the fan will stop for 55min.. It shows in screen " ⌘ " , then the fan starts to work again.




Pushing any buttons besides lighting will stop auto-ventilation function.



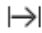

7. Function "Locked" : push " ⌘/→ " button for 3 sec., enter "locked" function when the fan is shut down. "→ " shows in middle screen, the fan is operating and no response by pushing " ⌘/→ " for over 3 sec.


Operating Instruction



8. “Gas hob → Cooker hood” Interlink function:
(Tips: Symbol “” is not an operating function.)

Condition of starting interlink: the installed distance between cooker hood and gas hob is less than 5 m. A gas hob can only match one cooker hood.

Matching code for first use: the cooker hood and gas hob are both electrified. Push “” on cooker hood for 3 sec., it is twinkling with display “” waiting for matching. Then do the operation according to operating manual of gas hob.

Cooker hood beeps once after matching finish, display “” for 2 sec. so the interlink function of cooker hood and gas hob is done.

Interlink : when turning on the gas hob, the interlinked cooker hood starts under speed 3 automatically. While turning off the gas hob, the cooker hood shuts down after 3 min. under speed 1.

Light, Fan speed, Time-lapse, Turn on/off cooker hood, Auto-ventilation and Locked functions can all operate when interlinked.

Interlink function can not work when self cleaning function is running.

Installation Instruction

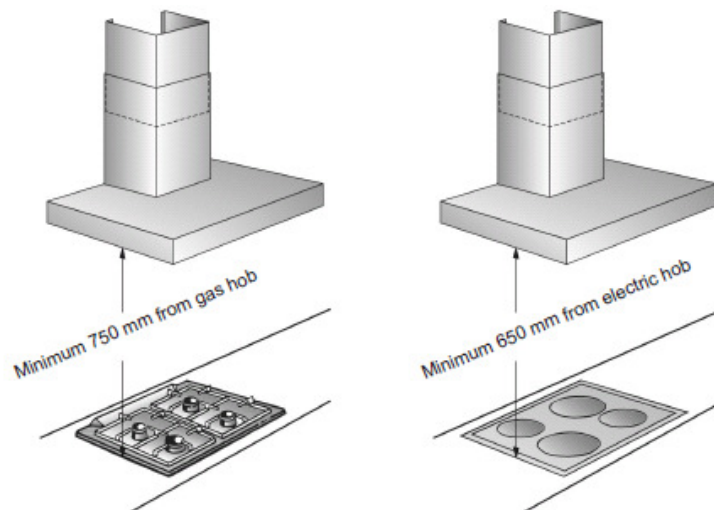
Safety Precautions

- ❑ Read these instructions carefully and keep them in a safe place. Safety during use can only be ensured if the appliance is fitted correctly according to these installation instructions. The installer is responsible for ensuring that the appliance operates perfectly at the point of installation.
- ❑ For installation, currently applicable building regulations and the regulations of local electricity and gas suppliers must be observed.
- ❑ The appliance must be connected to the mains only by a licensed and trained technician.
- ❑ If your kitchen is under renovation, please do not expose the cooker hood outside, as building materials, dusts, paints and volatilized gas can corrode and stain the surface of the cooker hood. The cooker hood must be installed only after decoration or renovation.
- ❑ To move and install the cooker hood, do not move it while grasping the glass frame and the front panel with hands, so as to avoid breaking or loosening the glass.
- ❑ If the connecting cable for this appliance is damaged, the cable must be replaced by the manufacturer or his customer service or a similarly qualified person in order to prevent serious injury to the user.
- ❑ Do not install the cooker hood on a wall made of inflammable substances such as wood. The wall must be non-combustible.
- ❑ Do not let the cooker hood and other gas equipments (e.g. gas water heater) share the same chimney duct.
- ❑ The cooker hood follows all the relevant safety regulations.
- ❑ The cooker hood must be grounded. A three pin plug is provided, and this plug must be inserted in a truly grounded receptacle. In case of current leakage, a current loop is formed by the grounding to avoid an electric shock.

Installation Instruction

Installation Position and Height

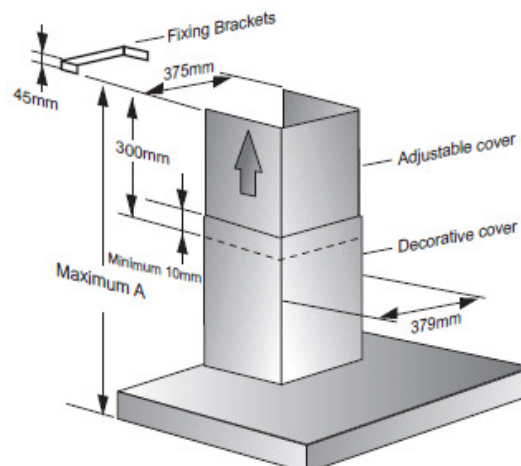
- ❑ Install the cooker hood in a dry place and avoid direct sunlight.
- ❑ The cooker hood is intended to be mounted onto the kitchen wall.
- ❑ Always mount the cooker hood over the centre of the hob.
- ❑ Ensure that the minimum distance between
 - the cooker hood and a gas hob is maintained at 750mm
 - the cooker hood and an electric hob is maintained at 650mm.



- ❑ Each cooker hood is equipped with an adjustable cover. The adjustable hood is installed in the decorative cover, which may be drawn upwards to cater the installation height.

Please read the dimensions shown in the figure before using the adjustable cover. The adjustable cover is fixed on the wall by using fixing brackets via screws.

Product Model	LC35S955..	LC35S943..
Dimension A (mm)	865	840

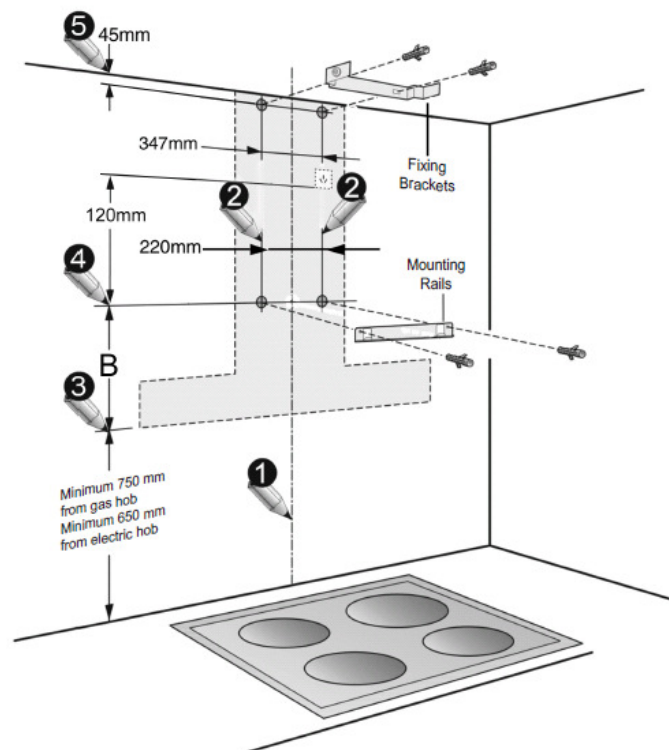


Installation Instruction

Installation of Fasteners

- ❑ Determine the installation positions of the fasteners (fixing brackets and mounting rails) on the wall and follow steps indicated in photo below. If the adjustable cover is not needed, skip step 5.
- ❑ Draw a line on the wall from the ceiling to the lower edge of the hood at the centre of the location where the hood is going to be mounted.
- ❑ After determining installation positions of the fasteners on the wall, use a driller with a diameter of 10 mm to drill holes in the wall.
- ❑ Insert the accessory wall plug into the drilling holes and fix the fasteners (fixing brackets and mounting rails) onto the wall with the accessory fixing screws.

Product Model	LC35S955..	LC35S943..
Dimension B (mm)	475	460

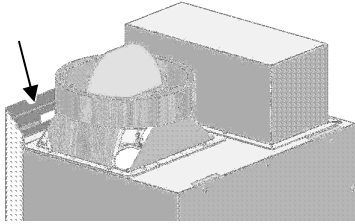


Note:

The lower edge of dimension B is the bottom point of cooker hood (Oil collector is not included).

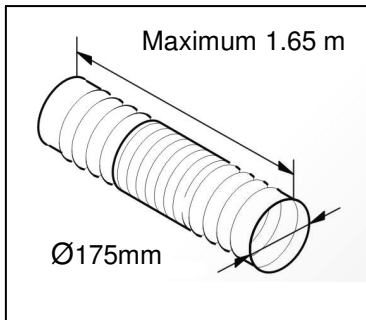
Installation Instruction

Fixing Cooker Hood



- ❑ Hang the cooker hood on to the fixing brackets on the wall. Make sure the cooker hood does not shake or hook off. Keep the cooker hood horizontal.
- ❑ Install the accessory fixing screws in the notch as shown in the figure to prevent the cooker hood falling off from the mounting rails.

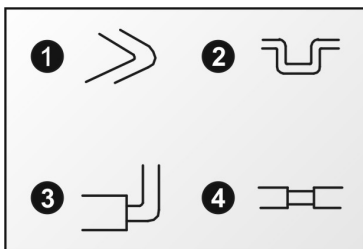
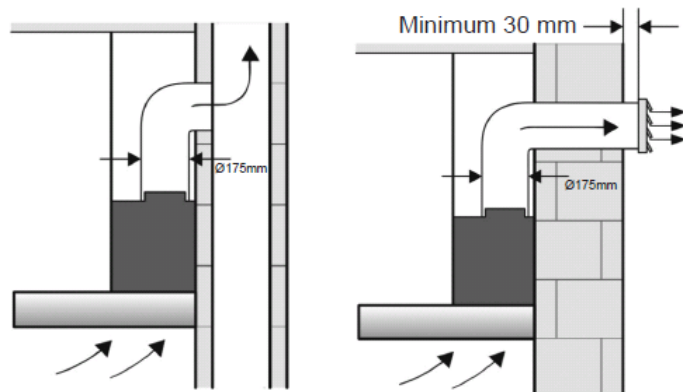
Connection of Exhausted Pipe



- ❑ Each cooker hood is equipped with an exhausted plastic pipe in a diameter of 175mm. The exhausted pipe is 1.65m long when completely stretched.
- ❑ Please connect one end of the exhausted pipe to the outlet duct on the cooker hood and connect the other end of the exhausted pipe to the common chimney duct or the drilling hole in the external wall (the diameter of the drilling hole is 180mm).

Common chimney duct

Directly discharge outside the wall



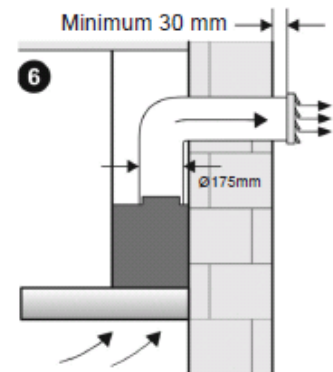
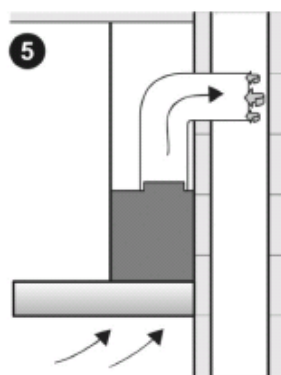
- ❑ For optimum extractor hood efficiency:
 1. Diameter of pipe should be as large as possible and no tight bends in pipe.
 2. The exhausted pipe can not be bent into a “凹” shape (as few bends as possible).
 3. Do not connect the exhausted pipe to another pipe with a diameter smaller than 175mm.
 4. Do not use a pipe with a diameter smaller than 175mm with an intermediate connecting pipe.

Installation Instruction

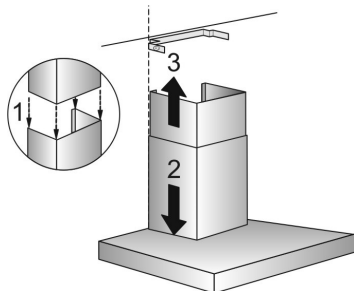
5. If you need to connect the exhausted pipe to the common chimney duct, DO NOT deeply insert the exhausted pipe into the common chimney duct in case the resistance increased when exhausting.
6. If you need to connect the exhausted pipe directly outside the wall, a shutter (purchase additionally) is recommended to be mounted at one end of the exhausted pipe to prevent the external wind from flowing back inside. Meanwhile, make sure the exhausted pipe extending outside the wall is at least 30 mm.
7. The exhausted gas must not enter other hot flue pipes, also for exhausting smoke of other fuels.

Connect to a common chimney duct

Connect outside the wall



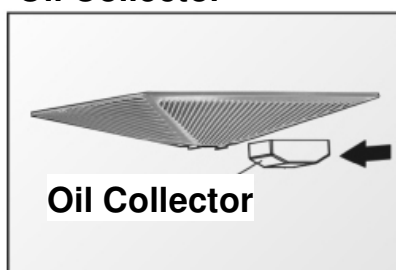
Connection of Adjustable Cover



- Fix the decorative cover and the adjustable cover on the cooker hood according to the figure.

1. Insert the decorative cover into the cooker hood vertically.
2. Draw out the adjustable cover from the decorative cover, and fix it with the fixing brackets via screws.

Installation of Oil Collector



- Install the oil collector into the slot of the grease filter frame according to the figure.

Cleaning, Maintenance and Repair

Test Run

- ❑ After installation, clean the surface of the cooker hood. Insert the electric plug of the cooker hood into the receptacle. Test run operation is performed according to the “Operation Instruction”.

Cleaning and Maintaining Your Cooker Hood

- ❑ Pull off the electric plug before cleaning or maintaining the cooker hood.

Wear protection gloves when cleaning or maintaining the cooker hood, to prevent injuring yourself.

DO NOT clean the cooker hood directly with water.

The cooker hood should be cleaned regularly depending on the using frequency and surrounding environment to keep a good exhausting effect and have a longer service life.

- ❑ Clean Filter Frame

Clean the metal grease filter at regular intervals. For cleaning, a soft cloth can be used to clean the external surface.

- ❑ Clean the Inner Frame

A soft wet cloth is used instead of a hard object or steel wire ball.

- ❑ Clean the Screen

Use neutral abrasant-free detergents to clean the surface of the outer shell.

Use a detergent special for glass to clean the glass surface.

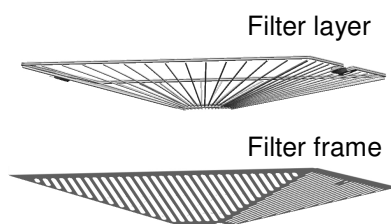
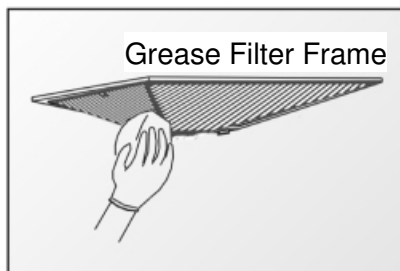
DO NOT use grinding sponge, sand cleaner, soda, acid or chloride to clean the stainless steel surface.

DO NOT use any tool (e.g. steel wire ball) that may easily damage the surface of cooker hood to wipe on it.

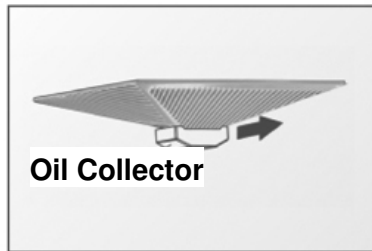
DO NOT use industrial detergents to clean the cooker hood.

- ❑ Clean the Filter Layer

Unscrew the screws for fixing the filter screen, take down the filter screen, and immerse it in water containing a detergent for over ten minutes. Then wipe the inner filter screen with cloth.



Cleaning, Maintenance and Repair



- ❑ When two third of the oil collector is filled up, the oil collector should be cleaned to avoid any oil spills. Detach the oil collector according to the figure.

Caution!!!

The cooker hood may cause a fire, if the oil collector is not cleaned according to the methods mentioned in the operation instruction.

Trouble Shooting

Caution!!!

Maintenance of the cooker hood should only be done by qualified technicians.

Refer to the following table for any possible malfunctions and remedy. If the malfunction is still present, pull out the plug of the cooker hood and contact our customer service centre.

Problems	Possible Cause	Notes/Remedy
Appliance cannot work.	Electromagnetism disturbance.	Pull out the plug, Re-insert it after 1 min.
The motor does not work and the lamp cannot be turned on.	The plug is not or improperly inserted or no power supply.	Make sure the plug is inserted properly. Ask an electrician to repair.
The motor works but the lamp cannot be turned on.	The lamp is damaged.	Replace the lamp.
The suction force is not strong enough.	Not adjusted to the maximum fan speed. Air convection is strong.	Adjust the fan speed to the maximum rank. Close the window at one side.
“E1” shown in screen when self cleaning is operating.	Self cleaning function is defected.	Pull out the plug, Re-insert it after 1 min.
“E2” shown in screen, fan can work, discontinuous beeps and all control buttons locked when self cleaning is not operating.	Self cleaning controlling components is broken.	Pull out the plug, Re-insert it after 1 min. If this problem can not be removed, please pull out the plug and contact Siemens customer service centre.

If one of the following malfunction occurs, please pull out the electric plug of the cooker hood at once and contact our customer service centre.

- ❑ Irregular operating sounds are heard after turned on.
- ❑ Vibration occurs during the operation.
- ❑ Smell, smoke or heat released from the cooker hood.

Cleaning, Maintenance and Repair

Changing the halogen bulb

- Steps to change the halogen bulb:

1. Switch off the extractor hood and isolate by pulling out the main plug or switching off the disconnecter on the installation side.

Caution!!!

When switched on, the halogen bulb becomes very hot. Even for some time after the bulbs have been switched off there is still a risk of burns.

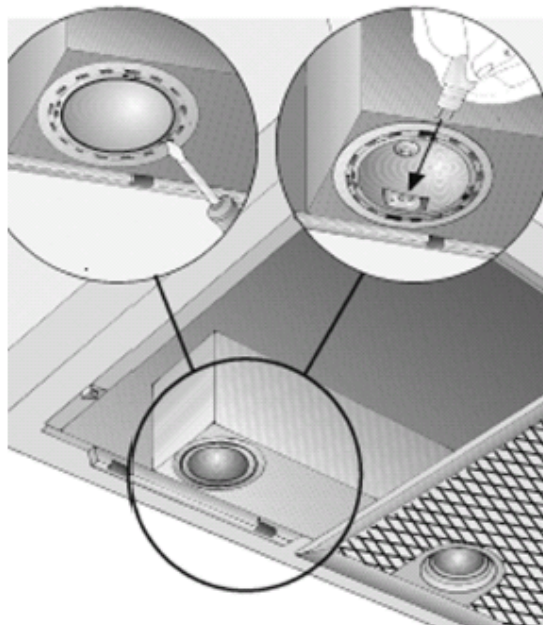
2. Remove the bulb ring with a screwdriver or similar tool.

3. Replace the halogen light bulb (conventional halogen bulb, 12 Volt, max. 20Watt, G4 cap).

When switched on, the halogen bulb becomes very hot. Even for some time after the bulbs have been switched off there is still a risk of burns.

Caution!!!

Refer to plug-in lamp holder: take hold of the bulb with a clean cloth.



4. Re-insert the bulb ring.

5. Plug the appliance into the mains or switch it on at the fuse box.

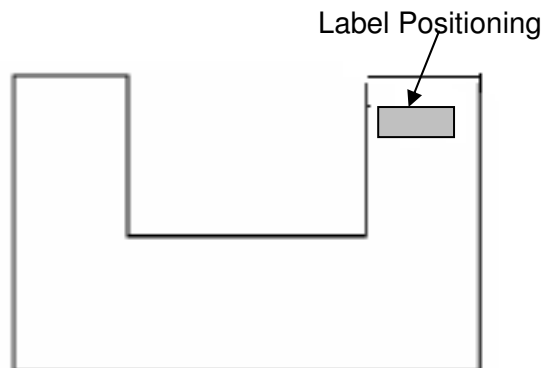
Note:

If the light does not function, check that the bulbs have been inserted correctly.

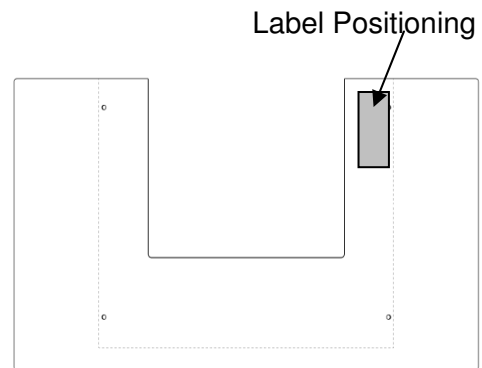
Customer Service

Tips

- ❑ Considerable injuries may be caused by faulty repairs. Repairs to the appliance must only be carried out by a trained technician. If a repair is required, please call the after-sales service.
- ❑ When cleaning things around the cooker hood (such as ceiling, cabinet) which may touch the hood, please wear protection glove or take other protection measures to prevent injuries.
- ❑ The manufacturer accepts no responsibility for damage which arises as a result of disregarding the instruction manual.
- ❑ If your cooker hood does not work properly, check the possible explanations in “Trouble Shooting” page before calling our customer service. When you call, please quote the E-Nr. (product number), serial No. and FD (production date). Information are shown on the rating label as below:



LC35S955..



LC35S943..

SIEMENS BSH Electrical Appliances (Jiangsu) Co.,Ltd		Attention	
Hood Type	Type	<ul style="list-style-type: none"> ○ Avoid turning on the gas hob without a pan or with an empty pan, so as to protect the product. ○ Select a proper detergent, to avoid the coating peels off the surface of the product. ○ The cooker hood needs to be cleaned regularly to remove water and grease stains on the surface. (make sure no water enter the electric components such as switch and motor) ○ Wear rubber gloves when cleaning the cooker hood, to prevent your finger from being hurt in cleaning. ○ Unscrew the screw nut with hands in a clockwise direction. 	
E-Number	Input		
Voltage/Frequency	Elec.Control		
Color/Material	Serial No.		
FD No.	Origin		
		<ul style="list-style-type: none"> ○ Pull off the electric plug before cleaning. ○ Laymen are forbidden to change and detach internal circuits of the electric appliance. 	

Material Number: 9000587146

Version: 01

Revised Date: 2010.11

Guarantee: The guarantee conditions for this appliance are as defined by our representative in the country in which it is sold. Details regarding these conditions can be obtained from the dealer from whom the appliance was purchased. The bill of sale or receipt must be produced when making any claim under the terms of this guarantee.