

en Installation instructions

Please keep

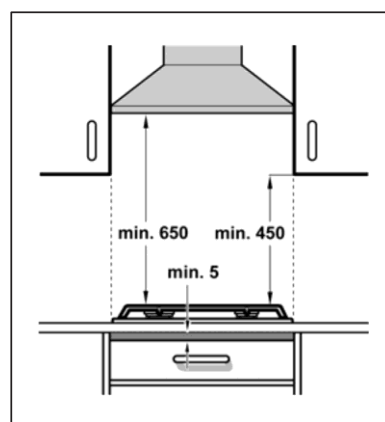
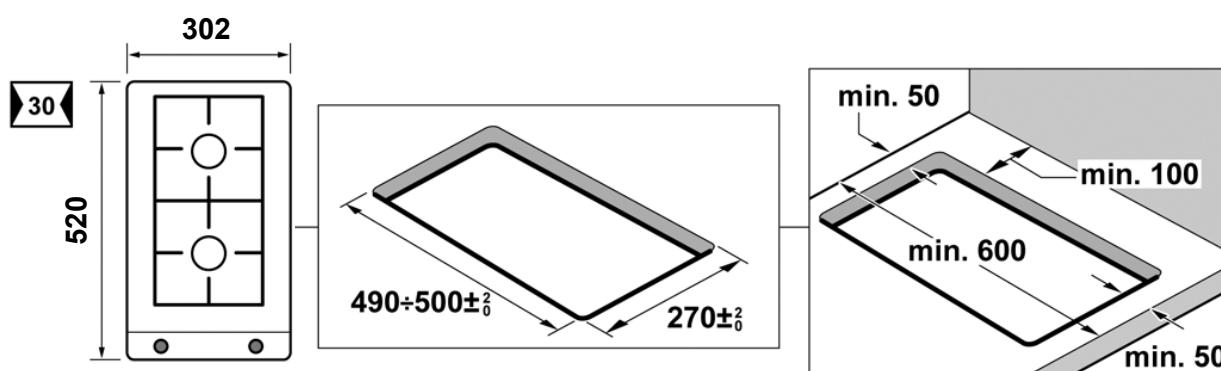
zh 安裝說明書

請保存

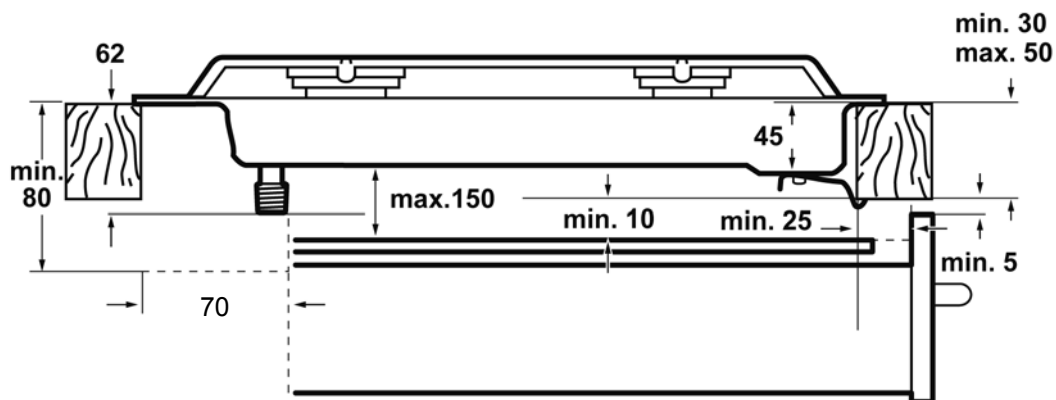
西門子煤氣爐 安裝指引 請保留此指引

型號: 雙頭: ER326BB90X

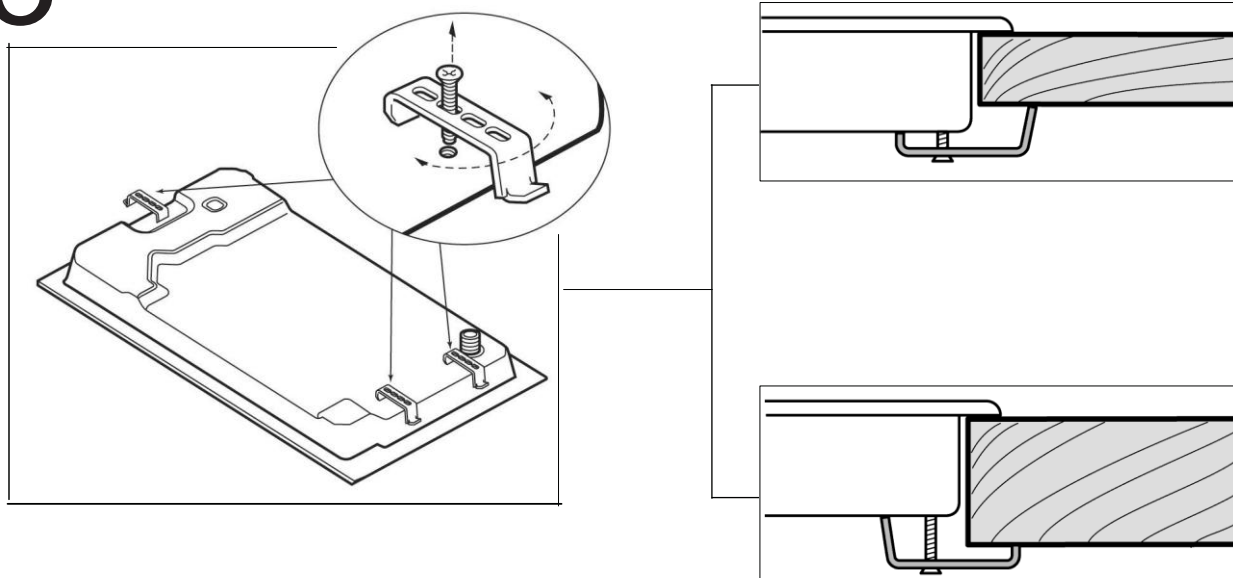
1



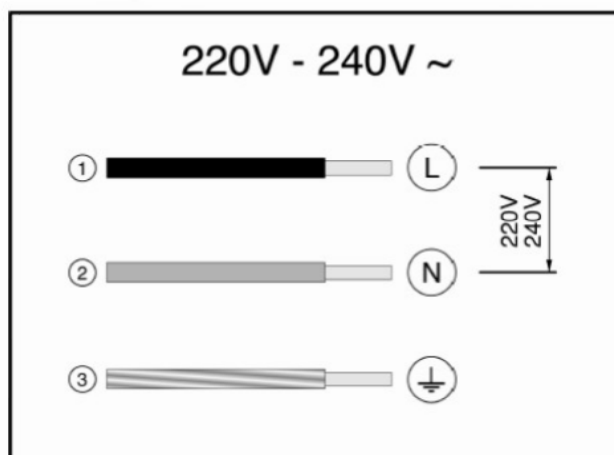
2



3



4



Read the appliance's instructions before installing and using.

The graphics in these Assembly instructions are given as a guide only. **The manufacturer is exempt from all liability if this manual's requirements are not complied with.**

Safety instructions

Attention! According to the Gas Safety Ordinance of Hong Kong, any gas installation works including the installation of appliances and connection tubing, must be undertaken by registered gas installers who are registered for that appropriate classes and be employed by registered gas contractors.

Use approved gas tubing bearing EMSD approval marking (example : 機電工程署批准 EMSD APPROVAL GTXXXX) for connection to appliances, or other appropriate methods accepted by EMSD.

HK Town Gas connection - Governor Beckley 2300 or Elitre EL-125 should be installed, the working pressure is 10mbar.

Before you begin, turn off the appliance's electricity and gas supply.

This appliance has been designed for home use only, not for commercial or professional use. This appliance cannot be installed on yachts or in caravans. The warranty will only be valid if the appliance is used for the purpose for which it was designed.

Before installing, you need to check that local distribution conditions (gas type and pressure) and the appliance's adjustment are compatible (see table I). The appliance's adjustment conditions are written on the label or the specifications plate.

This appliance can only be installed in a well-ventilated place in accordance with existing regulations and ventilation specifications. The appliance must not be connected to a combustion product evacuation device.

The supply cable must be attached to the unit to prevent it from touching hot parts of the oven or hob. Appliances with electrical supply must be earthed.

Do not tamper with the appliance's interior. If necessary, call our Technical Assistance Service.

Warning! If any connection is handled, check the seal.

Danger of leaks.

The manufacturer is not liable for any connection leaking, after being handled.

Before installing

This appliance is class 3 type, according to the EN 30-1-1 regulation for gas appliances: built-in appliance.

These individual appliances can be combined with other identical appliances and/or with conventional hobs of the same make, using the joint accessory.

See the catalogue for details.

The units next to the appliance must be made of non-flammable materials. The laminated covering and glue for adhering it must be heat resistant. This appliance cannot be installed above fridges, washing machines, dishwashers or similar.

An oven must have a power cooling fan to install a hob above it.

Check the oven's dimensions in its installation manual.

If an extractor fan is installed, you must follow the installation manual's instructions, always keeping a minimum distance of 650 mm to the hob.

Preparation of kitchen unit (fig. 1-2)

Make an appropriate size cut in the work surface.

If the hob is electric or mixed (gas and electricity) and there is no oven below, place a non-flammable separator (e.g. metal or plywood) 10 mm from the bottom of the hob. This will prevent access to the base of the hob.

If the hob is gas, it is recommendable to place the separator at the same distance.

On wood work surfaces, varnish the cutting surfaces with a special glue. This protects them from moisture which could collect under the work surface.

Installation of appliance (fig. 3)

The clips and the adhesive seal (underside of the hob) are factory-fitted: do not under any circumstances remove them. The seal ensures that the entire work surface will be watertight, and prevents water seepage.

In order to fit the appliance into the kitchen unit, first place the hob in the correct position then loosen each of the clips so that they all turn freely (it is not necessary to completely undo them). Insert and centre the hob.

Press the sides of the hob until it is supported around its entire perimeter. Turn the clips and tighten them fully.

Removal of hob

Turn off the appliance's electricity and gas supply.

Unscrew the clips and proceed in the reverse order to installation.

Gas connection

The end of the inlet connection point of the gas hob has a 1/2" thread that allows for:

- fixed connection.
- connection using a flexible metal pipe.

In this case, it is necessary to insert the accessory (427950) and the watertight seal (034308) supplied between the manifold outlet and the gas supply.

In this case, you must prevent the pipe from coming into contact with moving parts of the kitchen unit being inserted (for example, a drawer) and prevent access to any spaces which might become obstructed.

If you need to connect the gas supply horizontally, our Technical Assistance Service can supply you with an L-tube (code 173018) and a seal (code 034308). **Warning!** If any connection is handled, check the seal. Danger of leaks.

The manufacturer is not liable for any connection leaking, after being handled.

Electric connection (fig. 4)

Check that the voltage and power of the appliance are compatible with the electrical installation.

The hobs are supplied with a power cable with a wall socket plug. Provide an omnipolar cut-off switch with a minimum contact separation of 3 mm (except for plug connections, if the user has access to it).

Appliances with plugs must only be connected to sockets that have earth wires correctly installed.

This appliance is type "Y": the supply cable can only be changed by the Technical Assistance Service and not the user.

安裝和使用前請細閱爐具說明書。
本組裝說明書後頁中的示意圖僅作為指引而提供。
若不遵守本說明書之要求，製造商免於承擔所有相關責任。

安全指引

注意：根據香港氣體安全條例，任何氣體裝置工程，包括爐具和接駁喉管的安裝，必須由註冊氣體裝置技工執行，而該技工已於相關的氣體工程類別註冊及受聘於註冊氣體工程承辦商。

使用認可印有機電工程署批准標記(例如：機電工程署批准 EMSD APPROVAL GTXXXX)的氣體接駁喉管連接爐具，或使用機電工程署接納的其他恰當方法。

香港煤氣接駁：

接駁煤氣時須加上穩壓器 Beckley(型號 2300) 或 Elitre (型號 EL-125)。操作氣壓為 10 毫巴。

安裝前請關上爐具的供電及供氣。

本爐具設計僅供家居使用。本爐具不可裝於遊艇上或活動房屋內。

保養服務僅在按設計目的使用爐具時方有效。

安裝前須檢查本地的供氣狀況(氣體種類及氣壓)與爐具的調節相匹配。爐具的調節條件載於標籤或規範銘牌上。

本爐具僅可根據現有規例及通風規範在良好通風之處安裝。

爐具不得接駁至抽油煙裝置。

供電線必須直接接到爐具以防接觸爐灶或爐架的熱部件。

帶供電的爐具必須接地。請勿隨便更動本爐具的內部組件。如有必要，請電話聯繫我們的技術支援服務部。

警告！進行任何接駁時均須檢查密封件。

洩漏的危險

接駁處理後製造商不承擔任何接駁洩漏的責任。

安裝前

根據燃氣爐具 EN 30-1-1 規例，本電器為 3 類嵌入式爐具。

使用接駁配件，這些個別爐具可與同類其他爐具結合及/或同類普通爐架結合使用，詳見產品目錄介紹。

爐具旁邊的器具必須用非易燃物材料製成。分層蓋及粘接膠水必須防熱。

本爐具不可裝於冰箱、洗衣機、洗碗機或類似電器之上。

焗爐必須有一臺強力冷卻風機以在其上面安裝本爐具。

檢查安裝說明書上焗爐的尺寸。

若裝有抽風機，必須遵守安裝手冊指引，經常保持離爐架 650 mm 的最小距離。

廚房裝置的準備 (圖 1-2)

在工作枱面上作出合適尺碼的切口。如爐架使用電或氣電混合且下面並無焗爐，在離爐架底 10 mm 處放用非易燃分隔件(即金屬或夾板)。此舉可防止觸及爐架基座。

如用氣體爐，建議將分隔件置於相同距離。

在木質工作枱面用特種膠將切口拋光。此舉可保護枱面免受潮，因潮濕會在工作枱面下積聚。

爐具的安裝(圖 3)

夾子及黏貼密封(在爐架下側)乃出廠時配置。任何情況下切勿將它們移除。密封確保整個工作枱面成為防水式，並防止水滲泄。

為將爐具裝進廚櫃裝置，首先將爐具放在正確的位置，然後鬆開每只夾子令其均可自由轉動(不必完全鬆開它們)。放入爐具並將其置中。

按下爐具側邊直到其整個周邊得到支撐。轉動夾子並完全收緊它們。

爐具拆除

關上爐具的供電和供氣。鬆開夾子的螺絲並按安裝之相反步驟進行。

供氣接駁

有 1/2" 螺紋供：

- 固定接駁。
- 用撓性金屬管接駁。

此時須在歧管出口和供氣之間插入配件(427950)及水密封件(034308)。

此時，須防止管子接觸插入的廚櫃裝置動件(如抽屜)，並防止接觸可能變為受堵塞的任何地方。

若要水平接駁供氣，我們的技術支援服務處可提供直角管(編碼 173018)及密封件(編碼 034308)

警告！進行任何接駁時均須檢查密封件。

洩漏的危險

接駁處理後製造商不承擔任何接駁洩漏的責任。

供電接駁(圖 4)

檢查確保爐具的電壓及功率與供電裝置的相匹配。

隨爐提供一條帶有插頭的供電電纜。提供一個最小接觸分離 3mm 的全極切斷開關(用戶接觸其插頭連接除外)。

帶插頭的爐具只可接駁至正確安裝接地線的插座。

此爐具為“Y”型供電，電纜只能由技術支援服務部而非用戶更改。