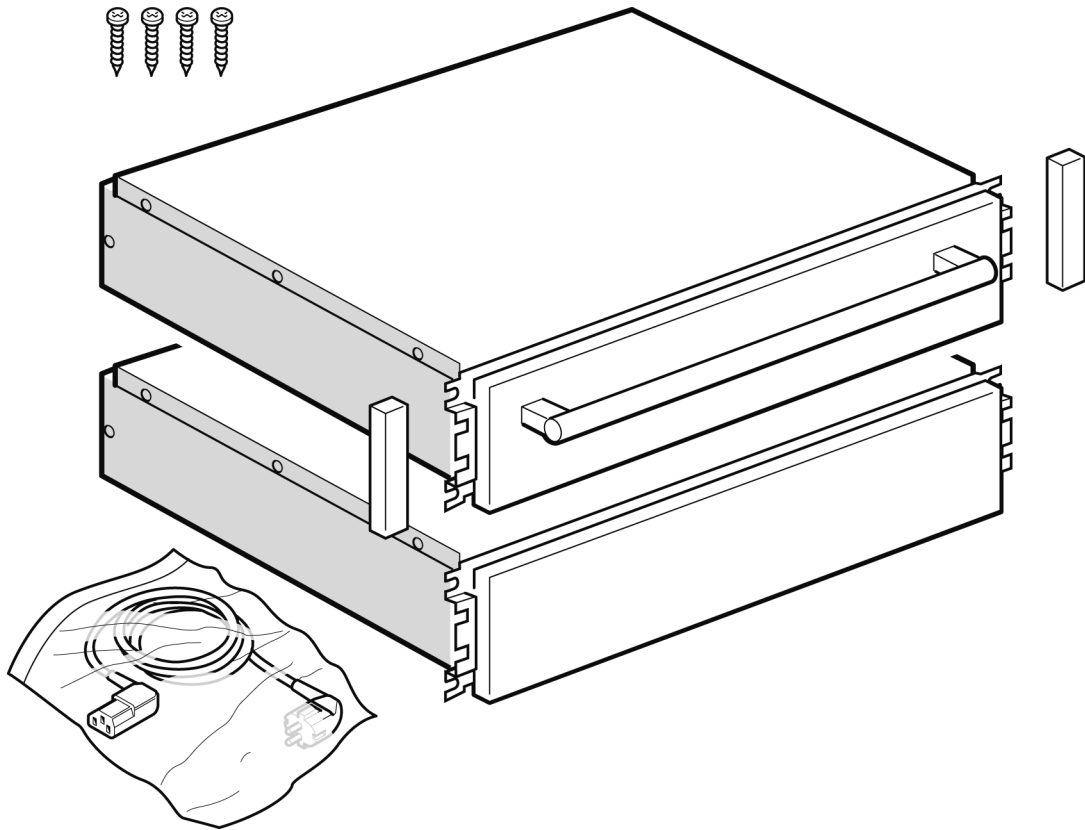
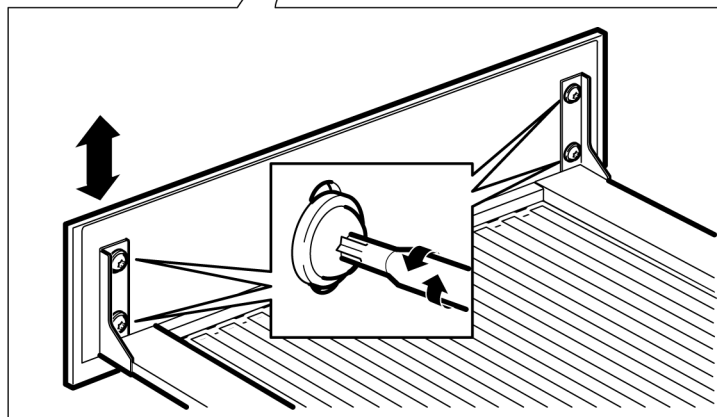
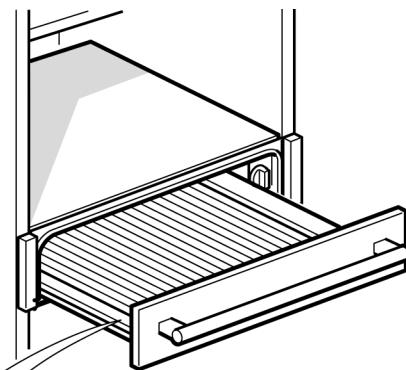
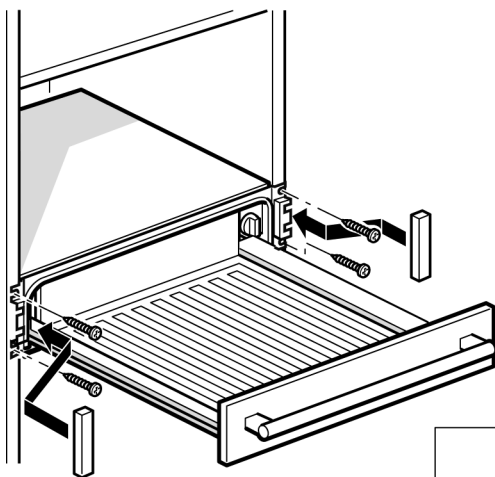
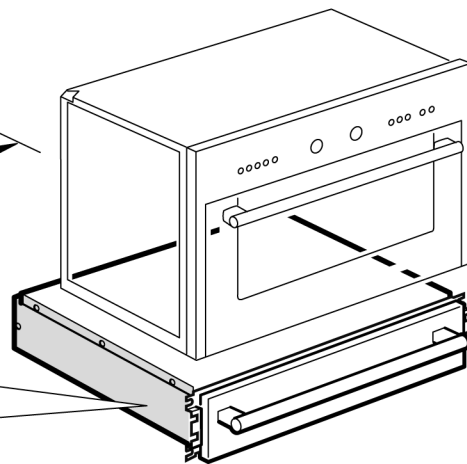
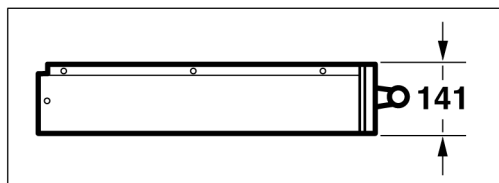
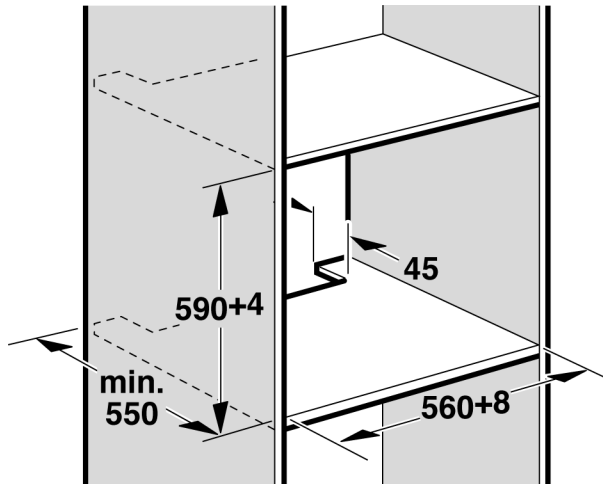
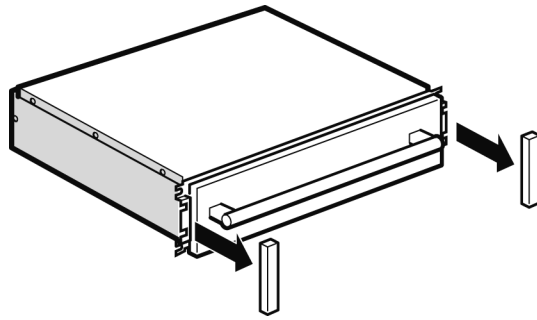


en Installation Instructions

please keep





Please observe:

Electrical connection

The appliance must only be connected to a properly installed protective contact socket. The installation of the socket or replacement of the connecting cable must only be carried out by a qualified electrician in accordance with current regulations.

The appliance must only be connected with the power cable provided. Connect the power cable to the back of the appliance.

Power cables with various plug types are available from our after-sales service.

Do not use multi-plug adapters, power strips or extension leads. There is a risk of fire in the event of overloading.

If the plug is no longer accessible subsequent to installation, an all-pole disconnecting device must be present on the installation side with a contact gap of at least 3 mm.

Fitted units

There must be no rear wall to fitted units which house appliances. There must be a gap of at least 45 mm between the wall and the base of the unit, as well as between the wall and the rear wall of the unit above.

The ventilation slots and air intake points must not be covered.

To ensure that they remain uncovered, also observe the installation instructions for the appliance above.

Installing the appliance

Connect the appliance to the mains.

Then align the appliance flush with the units and screw it in place.

Note:

Ensure that the connector lead does not become trapped or bent.

After installation, the connector lead must not be in contact with the back or the base of the appliance.