

KS..R..

en Instruction for Use

SIEMENS

en Index

Information concerning disposal	3	Storing of food	8
Safety and warning information	3	Interior fittings of refrigerator compartment	8
Connecting the appliance	5	Sticker "OK"	9
Getting to know your appliance	5	Switching off the appliance	9
Fascia	6	Cleaning the appliance	9
Note ambient temperature and ventilation	6	Tips for saving energy	10
Switching on the appliance	7	Operating noises	10
Setting the temperature in the refrigerator compartment	7	Eliminating minor faults yourself	11
Usable capacity	7	Customer service	12

Information concerning disposal

Disposal of packaging

The packaging protects your appliance from damage during transit. All packaging materials are environmentally friendly and recyclable. Please contribute to a better environment by disposing of packaging materials in an environmentally-friendly manner.

Please ask your dealer or inquire at your local authority about current means of disposal.

Disposal of your old appliance

Old appliances are not worthless rubbish! Valuable raw materials can be reclaimed by recycling old appliances.



This appliance is labelled in accordance with European Directive 2002/96/EG concerning used electrical and electronic appliances (waste electrical and electronic equipment - WEEE). The guideline determines the framework for the return and recycling of used appliances as applicable throughout the EU.

Warning

Redundant appliances:

1. Pull out the mains plug.
2. Cut off the power cord and discard with the mains plug.

Refrigerators contain refrigerants and the insulation contains gases. Refrigerant and gases must be disposed of properly. Ensure that tubing of the refrigerant circuit is not damaged prior to proper disposal.

Safety and warning information

Before you switch ON the appliance

Please read the operating and installation instructions carefully.

They contain important information on how to install, use and maintain the appliance.

Keep all documentation for subsequent use or for the next owner.

Technical safety

- This appliance contains a small quantity of environmentally-friendly but flammable R600a refrigerant. Ensure that the tubing of the refrigerant circuit is not damaged during transportation and installation. Leaking refrigerant may cause eye injuries or ignite.

If damage has occurred

- Keep naked flames and/or ignition sources away from the appliance.
- Thoroughly ventilate the room for several minutes.
- Switch off the appliance and pull out the mains plug or switch off the fuse.
- Notify customer service.

The more refrigerant an appliance contains, the larger the room must be. Leaking refrigerant can form a flammable gas-air mixture in rooms which are too small.

The room must be at least 1 m³ per 8 g of refrigerant. The amount of refrigerant in your appliance is indicated on the rating plate inside the appliance.

- Only customer service may change the power cord and carry out any other repairs. Improper installations and repairs may put the user at considerable risk.

Important information when using the appliance

- Never use electrical appliances inside the appliance (e. g. heaters, electric ice makers, etc.). **Risk of explosion!**
- Never use a steam cleaner to defrost or clean the appliance. The steam may penetrate electrical parts and cause a short-circuit.
Risk of electric shock!
- Do not use pointed or sharp-edged implements to remove frost or layers of ice.
You could damage the refrigerant tubing. Leaking refrigerant may ignite or cause eye injuries.
- Do not store products which contain flammable propellants (e. g. spray cans) or explosive substances in the appliance. **Explosion hazard!**
- Do not stand or support yourself on the base, drawers or doors, etc.
- Before defrosting or cleaning the appliance, switch off the appliance, pull out the mains plug or switch off the fuse.
Pull on the mains plug, not on the power cord.
- Bottles which contain a high percentage of alcohol must be sealed and stored in an upright position.

- Keep plastic parts and the door seal free of oil and grease. Otherwise, parts and door seal will become porous.
- Never cover or block the ventilation openings for the appliance.
- People who have limited physical, sensory or mental abilities or inadequate knowledge must not use this appliance unless they are supervised or given meticulous instructions.

Children in the household

- Keep children away from packaging and its parts. Danger of suffocation from folding cartons and plastic film!
- Do not allow children to play with the appliance!
- If the appliance features a lock, keep the key out of the reach of children.

General requirements

The appliance is suitable

- for refrigerating food.

The appliance is designed for domestic use.

The appliance has been interference-suppressed in compliance with EU Directive 2004/108/EC.

The refrigerant circuit has been tested for leaks.

This product complies with the relevant safety regulations for electrical appliances (EN 60335/2/24).

Connecting the appliance

After installing the appliance, wait at least 1 hour until the appliance starts up. During transportation the oil in the compressor may have flowed into the refrigeration system.

Before switching on the appliance for the first time, clean the interior of the appliance (see chapter Cleaning).

The socket should be freely accessible. Connect the appliance only to 220–240 V/50 Hz alternating current via a correctly installed earthed socket. The socket must be fused with a 10 A to 16 A fuse.

If the appliance is to be operated in a non-European country, check on the rating plate whether the indicated voltage and current type correspond to the values of your mains supply. The rating plate is situated in the bottom left-hand side of the appliance. The power cord may be replaced by a technician only.

Warning

Never connect the appliance to electronic energy saver plugs or to power inverters which convert the direct current to 230 V alternating current (e.g. solar equipment, power supplies on ships).

Getting to know your appliance

Please fold out the illustrated last page. These operating instructions refer to several models.

The diagrams may differ.

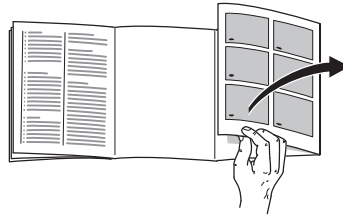


Fig. 1

* not all models

1-4 Fascia

5 Light switch

6 Interior light

7 Shelf in the refrigerator compartment

8 Fruit container *

9 Vegetable container

10 Egg rack *

11 Butter and cheese compartment *

12 Shelf for tubes and small tins

13 Shelf for large bottles

Fascia

Fig. 2

1 On/Off button

Switches the whole appliance on and off.

2 Temperature selection button

The button sets the temperature in the refrigerator compartment.

3 Temperature display

The numbers correspond to the set refrigerator compartment temperatures in °C.

4 Super button

Switches super cooling on and off.

Note ambient temperature and ventilation

The climatic class can be found on the rating plate. It specifies the ambient temperatures at which the appliance may be operated. The rating plate is located at the bottom left-hand side inside the fridge.

Climatic category	Permitted ambient temperature
SN	+10 °C to 32 °C
N	+16 °C to 32 °C
ST	+16 °C to 38 °C
T	+16 °C to 43 °C

Ventilation

Fig. 3

The air at the back of the appliance will heat up. This warm air must be allowed to freely escape, otherwise the refrigerating machine must perform more. This raises electricity consumption. Hence, the air-inlet and outlet apertures should never be covered or blocked off!

Switching on the appliance

Switch on the appliance with the On/Off button. **Fig. 2/1**

The temperature display flashes, **Fig. 2/3**, until the appliance has reached the set temperature.

The appliance starts cooling, the interior light is switched on when the door is open.

When the appliance has been switched on, it may take several hours until the set temperature is reached. Do not put any food in the appliance beforehand.

Setting the temperature in the refrigerator compartment

Fig. 2

The temperature in the refrigerator compartment can be set from +2 °C to +8 °C.

Press button **2** until the required value on temperature display **3** is lit. The value last selected is stored.

The factory has recommended the following temperatures:

Refrigerator compartment: +4 °C

Operating tips

- It is quite normal for beads of water or frost to form on the rear of the refrigerator compartment. It is not necessary to scrape off the frost or wipe off the beads of water. The rear panel defrosts automatically. The condensation is conveyed down the drainage channel, **Fig. 7/A** to the refrigerating unit where it evaporates.
- If the air humidity is high, condensation may form in the refrigerator compartment, especially on the glass shelves. If this is the case, pack or wrap the food and select a lower temperature in the refrigerator compartment.

Usable capacity

Information on the usable capacity can be found inside your appliance on the rating plate.

Storing of food

Take note of the cold zones in the refrigerating zone!

Due to the air circulation in the refrigerating zone, zones with different temperatures are produced:

- **Coldest zones**
is between the arrow stamped on the side and the glass shelf situated below, **Fig. 4**.

Note: Store perishable food (e.g. fish, sausage, meat) in the coldest zones.

- **Warmest zone**
is at the very top of the door.

Note: Store the following in the warmest zone, e.g. cheese and butter. When serving, the cheese keeps its aroma and the butter remains spreadable.

When storing the food, note

that food is well wrapped or covered over. In this way, the aroma, colour and freshness remain. Apart from which, the transfer of taste and drying of plastic parts is avoided.

We recommend that you arrange the food inside the refrigerator as follows:

- **on the shelves in the main refrigerator section** (from the top down): bakery products, ready-to-eat items, dairy products, meat and salami
- **in the vegetable containers:** vegetables, lettuce, fruit
- **in the door racks** (from the top down): butter, cheese, eggs, tubes, small bottles, large bottles, milk and fruit-juice cartons.

Interior fittings of refrigerator compartment

You can vary the shelves inside the refrigerator compartment and the door shelves as and when required: Pull the shelf forwards, lower and swing out to the side, **Fig. 5**. Raise the door shelf and remove, **Fig. 6**.

Special features

not all models

Vegetable container with temperature and humidity regulator

Fig. 7/B

For long-term storage of vegetables, lettuce and fruit slide the regulator all the way to the right. Ventilation aperture is open - low air humidity – Temperature drops.

For short-term storage slide the regulator to the left. Ventilation aperture is closed - high humidity – Temperature rises.

Drawer for cold meats and cheese

Fig. 8

To remove the drawer, lift and pull out. The holder can be moved.

Bottle holder

Fig. 9

The bottle holder prevents bottles from falling over when the door is opened and closed.

Bottle shelf

Fig. 10 A/B

Bottles can be stored securely on the bottle shelf. The holder can be adjusted.

Sticker “OK”

not all models

The “OK” temperature monitor can be used to determine temperatures below +4 °C. Gradually reduce the temperature if the sticker does not indicate “OK”.

Note

When the appliance is switched on, it may take 12 hours until the temperature is reached.



Correct setting



Temperature too high, reduce temperature.

Switching off the appliance

Press On/Off button. **Fig. 2/1**
Temperature display goes out, refrigerating unit switches off.

Disconnecting the appliance

If you do not use the appliance for a prolonged period:

1. Switch off the appliance.
2. Pull out the mains plug or switch off the fuse.
3. Clean the appliance.
4. Leave the appliance door open.

Cleaning the appliance

Attention!

Do not use abrasive, chloride or acidic cleaning agents or solvents.

Do not use scouring or abrasive sponges. The surface of the rear panel could be damaged and corrosion could occur.

Never clean shelves and containers in the dishwasher. The parts may warp!

Proceed as follows:

- Before cleaning: Switch off the appliance.
- Pull out the mains plug or switch off the fuse.
- Clean the appliance with a soft cloth, lukewarm water and a little PH-neutral washing-up liquid. The rinsing water must not run into the light.
- Wipe the door seal with clear water only and then wipe dry thoroughly.
- Rinsing water must not run through the drainage hole into the evaporation area.
- After cleaning reconnect and switch on the appliance.

Note

Regularly clean condensation channels and drainage hole, **Fig. 7/A**, with cotton buds, etc. so that the condensation can run out.

Tips for saving energy

- Install the appliance in a dry, well ventilated room, but not in direct sunlight and not near a heat source (e.g. radiator, cooker, etc.). If required, use an insulating plate.
- Allow warm food and drinks to cool down before placing in the appliance!
- When thawing frozen products, place them in the refrigerator. The low temperature of the frozen products cools the food in the refrigerator.
- Open and close the door as briefly as possible.
- Observe required distance of 60 mm to the back wall.
The heated air can then escape without obstruction.

Operating noises

Normal noises

Humming – refrigerating unit is running.

Bubbling, gurgling or whirring noises – refrigerant is flowing through the tubing.

Clicking – motor is switching on or off.

Preventing noises

The appliance is not level

Please align the appliance with a spirit level. Use the height-adjustable feet or place something under the feet.

The appliance is not free-standing

Please move the appliance away from adjacent units or appliances.

Drawers or storage areas wobble or stick

Please check the removable parts and, if required, reinsert them.

Bottles or receptacles are touching each other

Please move bottles or receptacles away from each other.

Eliminating minor faults yourself

Before you call customer service:

Please check whether you can eliminate the fault yourself based on the following information.

Customer service will charge you for advice, even if the appliance is still under guarantee!

Fault	Possible cause	Remedial action
Temperature differs greatly from the set value.		<p>In some cases it is adequate to switch off the appliance for 5 minutes.</p> <p>If the temperature is too high, wait a few hours and check whether the temperature has approached the set value.</p> <p>If the temperature is too low, check the temperature again the next day.</p>
Interior light does not function.	<p>The bulb is defective.</p> <p>Light switch is sticking. Fig. 11/B</p>	<p>Replace bulb. Fig. 11/A</p> <ol style="list-style-type: none"> 1. Pull out the mains plug or disconnect the fuse. 2. Slide cover grille (A) forwards and remove. 3. Change the bulb; replacement bulb, 220–240 V ac, E14 lampholder, see defective bulb for wattage. (Attention! Krypton bulb available from customer service only.) <p>Check whether it can be moved.</p>
Floor of the refrigerator compartment is wet.	The outlet hole is blocked. Fig. 7/A	Clean the condensation channel and the outlet hole (see “Cleaning the appliance”).
Temperature display is flashing. Fig. 2/3	<p>Appliance door opened frequently.</p> <p>Too much food was placed in the refrigerator compartment at once.</p> <p>The ventilation openings have been covered.</p>	<p>Do not open the door unnecessarily.</p> <p>Before placing food in the refrigerator compartment, switch on the super cooling function.</p> <p>Remove obstacles.</p>

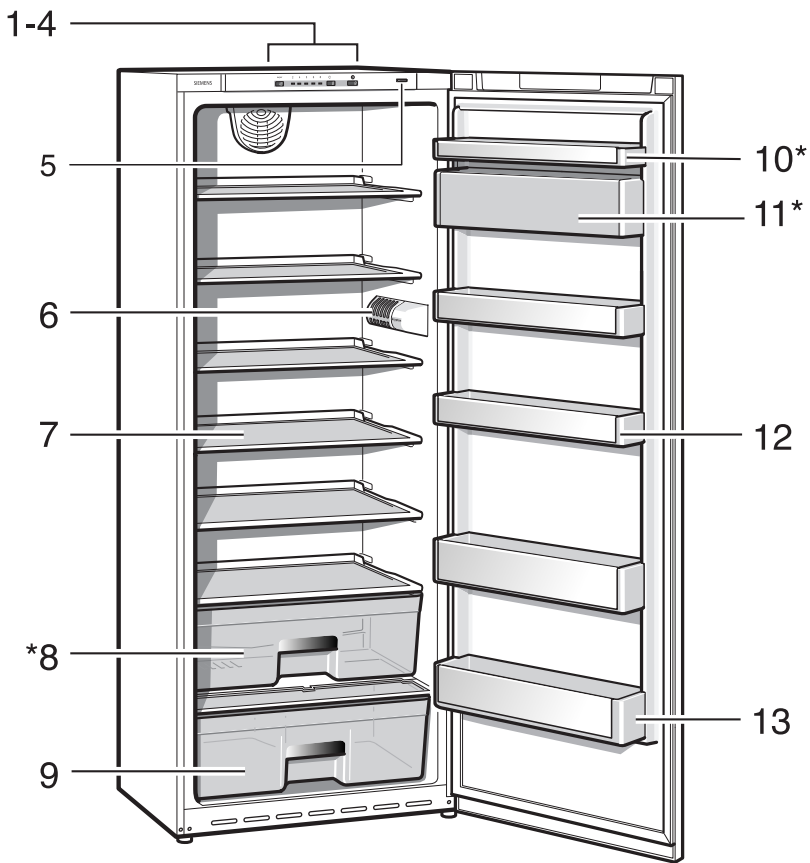
Fault	Possible cause	Remedial action
No temperature display is lit.	Appliance has been switched off.	Press the On/Off button. Fig. 2/1
	Power failure; the fuse has been switched off; the mains plug has not been inserted properly.	Check whether the power is on, check the fuses.

Customer service

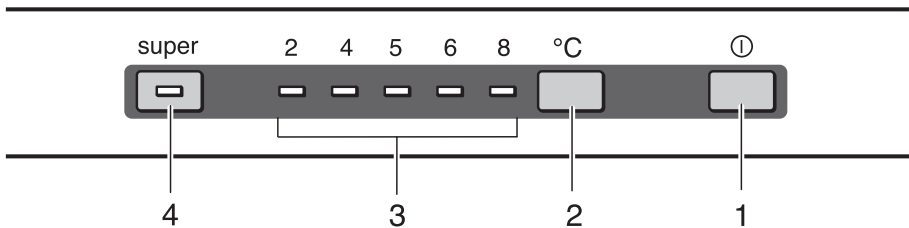
Please check your telephone book or the customer-service list for your nearest customer-service facility. When contacting customer service, please ALWAYS quote the product number (E-number) and production number (FD-number) of your appliance.

These numbers can be found on the rating plate. **Fig. 12**

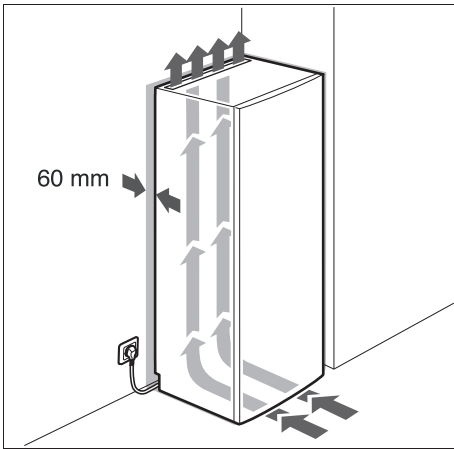
To prevent unnecessary call-outs, please assist customer service by quoting the product and production numbers. This will save you additional costs.



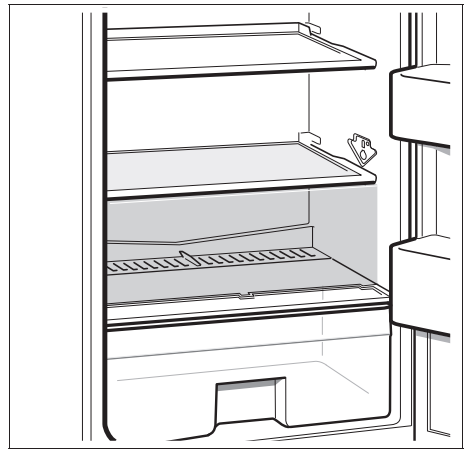
1



2



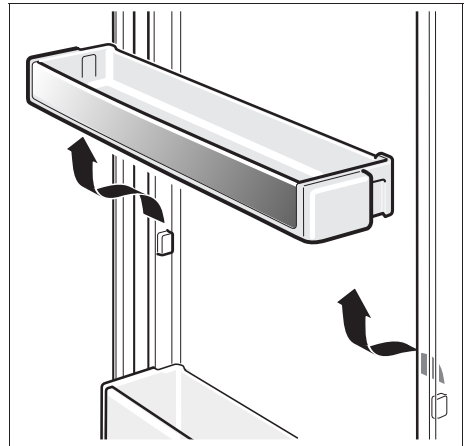
3



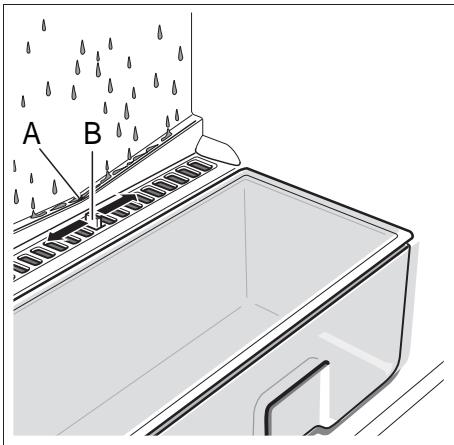
4



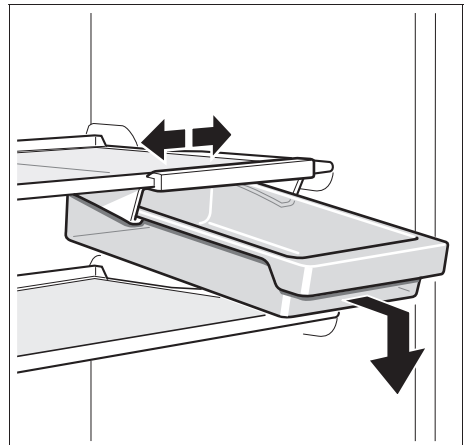
5



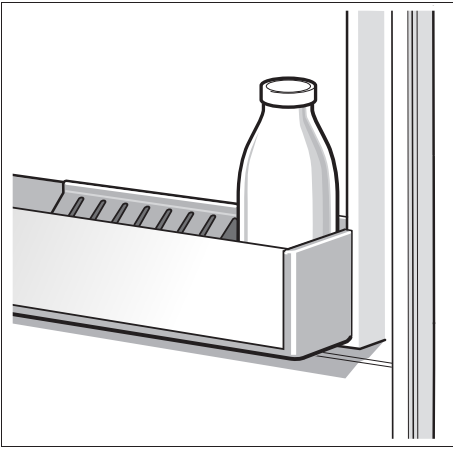
6



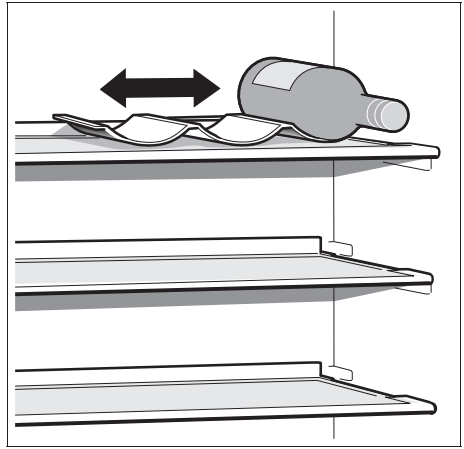
7



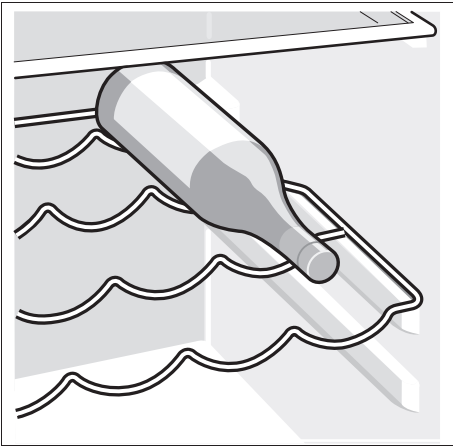
8



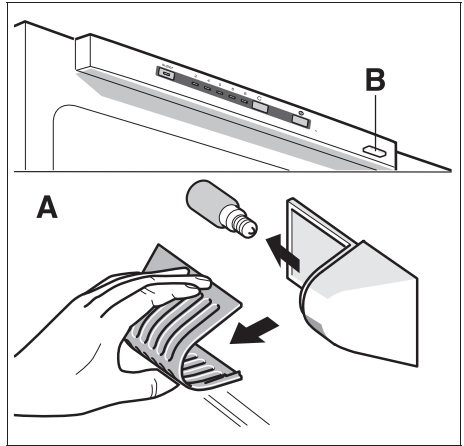
9



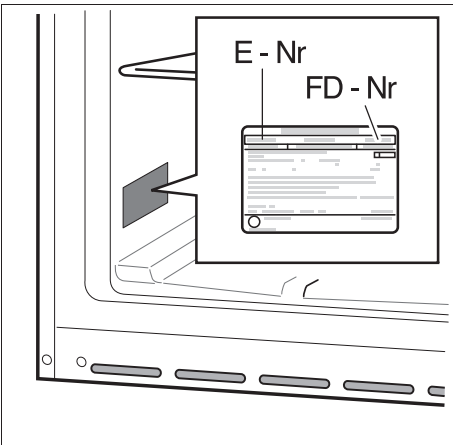
10/A



10/B



11



12

Siemens Info Line (Mo–Fr: 8.00-18.00 Uhr erreichbar)

Für Produktinformationen sowie Anwendungs- und Bedienungsfragen:

Tel.: **01805 2223*** oder unter **siemens-info-line@bshg.com**

*) 0,14 EUR/Min aus dem Festnetz der T-Com, Mobil ggfs. abweichend.

Nur für Deutschland gültig!



Siemens-Electrogeräte GmbH
Carl-Wery-Str. 34, 81739 München

© Siemens-Electrogeräte GmbH.

www.siemens-homeappliances.com 9000 533 692 (9001)