

KSL..

en Operating instructions



BOSCH

en Index

Information concerning disposal	3	Sticker "OK"	10
Safety and warning information	3	The freezer compartment	11
Installing the appliance	5	Fast freezing	11
Connecting the appliance	6	Storing deep-frozen food and making ice	11
Getting to know your appliance	6	Freezing food*	12
Fascia	7	Max. freezer capacity	12
Note ambient temperature and ventilation	7	Thawing frozen food	12
Switching on the appliance	8	Switching off and disconnecting the appliance	13
Selecting the temperature	8	Defrosting the freezer compartment ...	13
Refrigerator compartment	8	Cleaning the appliance	14
Super cooling	9	Tips for saving energy	15
Storing of food	9	Operating noises	15
Usable capacity	9	Eliminating minor faults yourself	16
Interior fittings of refrigerator compartment	10	Customer service	17

Information concerning disposal

Disposal of packaging

The packaging protects your appliance from damage during transit. All packaging materials are environmentally friendly and recyclable. Please contribute to a better environment by disposing of packaging materials in an environmentally-friendly manner.

Please ask your dealer or inquire at your local authority about current means of disposal.

Disposal of your old appliance

Old appliances are not worthless rubbish! Valuable raw materials can be reclaimed by recycling old appliances.



This appliance is labelled in accordance with European Directive 2002/96/EG concerning used electrical and electronic appliances (waste electrical and electronic equipment - WEEE). The guideline determines the framework for the return and recycling of used appliances as applicable throughout the EU.

Warning

Redundant appliances:

1. Pull out the mains plug.
2. Cut off the power cord and discard with the mains plug.

Refrigerators contain refrigerants and the insulation contains gases. Refrigerant and gases must be disposed of properly. Ensure that tubing of the refrigerant circuit is not damaged prior to proper disposal.

Safety and warning information

Before you switch ON the appliance

Please read the operating and installation instructions carefully.

They contain important information on how to install, use and maintain the appliance.

Keep all documentation for subsequent use or for the next owner.

Technical safety

- This appliance contains a small quantity of environmentally-friendly but flammable R600a refrigerant. Ensure that the tubing of the refrigerant circuit is not damaged during transportation and installation. Leaking refrigerant may cause eye injuries or ignite.

If damage has occurred

- Keep naked flames and/or ignition sources away from the appliance.
- Thoroughly ventilate the room for several minutes.
- Switch off the appliance and pull out the mains plug or switch off the fuse.
- Notify customer service.

The more refrigerant an appliance contains, the larger the room must be. Leaking refrigerant can form a flammable gas-air mixture in rooms which are too small.

The room must be at least 1 m³ per 8 g of refrigerant. The amount of refrigerant in your appliance is indicated on the rating plate inside the appliance.

- Only customer service may change the power cord and carry out any other repairs. Improper installations and repairs may put the user at considerable risk.

Important information when using the appliance

- Never use electrical appliances inside the appliance (e. g. heaters, electric ice makers, etc.). **Risk of explosion!**
- Never use a steam cleaner to defrost or clean the appliance. The steam may penetrate electrical parts and cause a short-circuit.
Risk of electric shock!
- Do not use pointed or sharp-edged implements to remove frost or layers of ice.
You could damage the refrigerant tubing. Leaking refrigerant may ignite or cause eye injuries.
- Do not store products which contain flammable propellants (e. g. spray cans) or explosive substances in the appliance. **Explosion hazard!**
- Do not stand or support yourself on the base, drawers or doors, etc.
- Before defrosting or cleaning the appliance, switch off the appliance, pull out the mains plug or switch off the fuse.
Pull on the mains plug, not on the power cord.
- Bottles which contain a high percentage of alcohol must be sealed and stored in an upright position.

- Keep plastic parts and the door seal free of oil and grease. Otherwise, parts and door seal will become porous.
- Never cover or block the ventilation openings for the appliance.
- People who have limited physical, sensory or mental abilities or inadequate knowledge must not use this appliance unless they are supervised or given meticulous instructions.

Only for appliances with a freezer compartment:

- Do not store bottled or canned drinks (especially carbonated drinks) in the freezer compartment. Bottles and cans may explode!
- Never put frozen food straight from the freezer compartment into your mouth.
Risk of low-temperature burns!
- Avoid prolonged touching of frozen food, ice or the evaporator pipes, etc.
Risk of low-temperature burns!

Children in the household

- Keep children away from packaging and its parts. Danger of suffocation from folding cartons and plastic film!
- Do not allow children to play with the appliance!
- If the appliance features a lock, keep the key out of the reach of children.

General requirements

The appliance is suitable

- for refrigerating and freezing food,
- for making ice.

The appliance is designed for domestic use.

The appliance has been interference-suppressed in compliance with EU Directive 2004/108/EC.

The refrigerant circuit has been tested for leaks.

This product complies with the relevant safety regulations for electrical appliances (EN 60335/2/24).

Installing the appliance

Install the appliance in a dry, well ventilated room.

The installation location should neither be exposed to direct sunlight nor near a heat source, e.g. a cooker, radiator, etc. If installation next to a heat source is unavoidable, use a suitable insulating plate or observe the following minimum distances to a heat source:

- 3 cm to electric or gas cookers.
- 30 cm to an oil or solid fuel cooker.

If installing the appliance next to another refrigerator or freezer, there must be a minimum gap of 2 cm between the appliances in order to prevent condensation.

The appliance must be level. If the floor is uneven, use the two height-adjustable feet. Two rollers at the rear of the appliance facilitate installation.



Connecting the appliance

After installing the appliance, wait at least 1 hour until the appliance starts up. During transportation the oil in the compressor may have flowed into the refrigeration system.

Before switching on the appliance for the first time, clean the interior of the appliance (see chapter Cleaning).

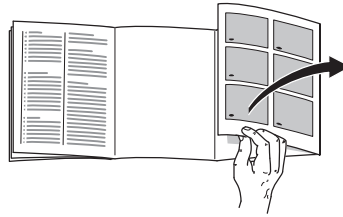
The socket should be freely accessible. Connect the appliance only to 220–240 V/50 Hz alternating current via a correctly installed earthed socket. The socket must be fused with a 10 A to 16 A fuse.

If the appliance is to be operated in a non-European country, check on the rating plate whether the indicated voltage and current type correspond to the values of your mains supply. The rating plate is situated in the bottom left-hand side of the appliance. The power cord may be replaced by a technician only.

Warning

Never connect the appliance to electronic energy saver plugs or to power inverters which convert the direct current to 230 V alternating current (e.g. solar equipment, power supplies on ships).

Getting to know your appliance



Please fold out the illustrated back page. These operating instructions refer to several models.

Diagrams may vary.

Figure 1

- 1 Light switch
- 2 Fascia/interior light
- 3 Shelves in the refrigerator compartment
- 4 Vegetable container
- 5 Butter and cheese compartment
- 6 Egg rack
- 7 Shelf for large bottles

- A Freezer compartment
B Refrigerator compartment

Fascia

Fig. 2

1 Main On/Off switch

Switches the whole appliance on and off.

2 “Super” button

Is used to switch on the super cooling (refrigerator compartment) or super freezing (freezer compartment) functions.

See chapter entitled Super cooling or Super freezing.

3 Temperature display refrigerator compartment

The numbers correspond to the set refrigerator compartment temperatures in °C.

4 Refrigerator compartment temperature selection button

The button sets the temperature in the refrigerator compartment.

Note ambient temperature and ventilation

The climatic class can be found on the rating plate. It specifies the ambient temperatures at which the appliance may be operated. The rating plate is located at the bottom left-hand side inside the fridge.

Climatic category	Permitted ambient temperature
SN	+10 °C to 32 °C
N	+16 °C to 32 °C
ST	+16 °C to 38 °C
T	+16 °C to 43 °C

Ventilation

Fig. 4

The air at the back of the appliance will heat up. This warm air must be allowed to freely escape, otherwise the refrigerating machine must perform more. This raises electricity consumption. Hence, the air-inlet and outlet apertures should never be covered or blocked off!

Switching on the appliance

Fig. 2

Press main switch **1**. The temperature display light flashes until the required temperature has been reached. The appliance starts cooling, the interior light is switched on when the door is open.

We recommend a setting of +4 °C.

Perishable food should not be stored warmer than +4 °C.

Selecting the temperature

Fig. 2

Press the button **4** until the required temperature lamp illuminates.

The lit lamp indicates the selected temperature.

Note

Colder temperatures which are set in the refrigerator compartment will also cause lower temperatures in the freezer compartment.

Operating information

The temperature in the refrigerator compartment becomes warmer:

- If the appliance door is opened frequently
- If large amounts of food are inserted.

Condensation droplets or hoarfrost in the refrigerator compartment

While the refrigerating unit is running, condensation droplets or hoarfrost form on the rear panel of the refrigerator compartment. This is normal.

It is NOT necessary to wipe off the condensation droplets or the hoarfrost. The rear panel defrosts automatically. The condensation flows into the drainage channel **Fig. 3** and is conveyed to the refrigerating unit where it evaporates.

Refrigerator compartment

The temperature in the refrigerator compartment can be set from +2 °C to +8 °C.

The refrigerator compartment is the ideal storage location for ready meals, cakes and pastries, preserved food, condensed milk, hard cheese, fruit and vegetables sensitive to cold as well as tropical fruit.

Super cooling

Super cooling cools the refrigerator compartment as cold as possible for approx. 6 hours. Then the temperature set before super mode is automatically restored.

Switch on super mode, e. g.:

- Before placing large quantities of food in the refrigerator compartment.
- To cool drinks quickly.

Switching on and off

Fig. 2

Press “super” button 2.

The button is lit when super cooling is switched on.

Storing of food

Take note of the cold zones in the refrigerating zone!

Due to the air circulation in the refrigerating zone, zones with different temperatures are produced:

- **Coldest zones**
is between the arrow stamped on the side and the glass shelf situated below, **Fig. 5**.
Note: Store perishable food (e.g. fish, sausage, meat) in the coldest zones.

- **Warmest zone**
is at the very top of the door.

Note: Store the following in the warmest zone, e.g. cheese and butter. When serving, the cheese keeps its aroma and the butter remains spreadable.

When storing the food, note

that food is well wrapped or covered over. In this way, the aroma, colour and freshness remain. Apart from which, the transfer of taste and dyeing of plastic parts is avoided.

We recommend arranging the food as follows:

- **In the freezer compartment* :**
Frozen food, ice cubes, ice cream
- **On the shelves** in the refrigerator compartment (from top to bottom):
cakes and pastries, ready meals, dairy products, meat and sausage
- **In the vegetable container:**
vegetables, salad, fruit
- In the **door** (from top to bottom):
butter, cheese, eggs, tubes, small bottles, large bottles, milk, juice cartons

Usable capacity

Information on the usable capacity can be found inside your appliance on the rating plate.

Interior fittings of refrigerator compartment

You can vary the shelves inside the refrigerator compartment and the door shelves as and when required: Pull the shelf forwards, lower and swing out to the side, **Fig. 6**. Raise the door shelf and remove, **Fig. 7**.

Special features

not all models

“Vario” shelf

Fig. 8

Remove the front half of the split glass panel and insert into the groove situated below. Tall produce can then be placed on the shelf underneath (e.g. jugs, bottles).

Drawer for cold meats and cheese

Fig. 9

To remove the drawer, lift and pull out. The holder can be moved.

Bottle holder

Fig. 10

The bottle holder prevents bottles from falling over when the door is opened and closed.

Vegetable container with temperature and humidity regulator

Fig. 11

For long-term storage:

Rotate regulator in a clockwise direction to open the vent and drop the temperature.

For short-term storage:

Rotate regulator in an anti-clockwise direction to close the vent and increase the temperature and humidity.

Bottle shelf

Fig. 12

Bottles can be stored securely on the bottle shelf. The holder can be adjusted.

Sticker “OK”

not all models

The “OK” temperature monitor can be used to determine temperatures below +4 °C. Gradually reduce the temperature if the sticker does not indicate “OK”.

Note

When the appliance is switched on, it may take 12 hours until the temperature is reached.



Correct setting



Temperature too high, reduce temperature.

The freezer compartment*

Use the freezer compartment

- For storing frozen food
- For making ice cubes
- For freezing small quantities of food

The freezer compartment door closes with a noticeable click.

Make sure the freezer compartment door is kept closed at all times. If the door is left open, the contents of the freezer compartment will start to thaw. There will be a build-up of ice inside the freezer compartment and, in addition, a considerable amount of energy will be wasted due to higher electricity consumption.

Fast freezing

Food should be frozen solid as quickly as possible in order to retain vitamins, nutritional value, appearance and flavour.

To prevent an undesirable temperature rise when placing fresh food in the freezer compartment, switch on fast freeze several hours beforehand.

Smaller quantities of food can be frozen without fast freeze.

Switching on and off

Fig. 2

Press “super” button 2.

If the superfreezing has been switched on the button is lit.

Note

“Fast freeze” may also slightly increase refrigeration of the refrigerator compartment.

Storing deep-frozen food and making ice*

When purchasing deep-frozen food, comply with the following:

- Check that the packaging is not damaged.
- Check the sell-by date.
- The temperature of the supermarket freezer should be -18°C or lower. If not, the storage life of the food is reduced.
- Purchase deep-frozen food last. Wrap in newspaper or place in a cold bag and take home.
- At home immediately place deep-frozen food in the freezer compartment. Close the freezer compartment door properly. Use the deep-frozen food before the sell-by date runs out.
- Do not refreeze thawed food. Exception: If you use the food to make a ready meal (boiling or frying), you can refreeze this ready meal.

Making ice

Fill the ice tray $\frac{3}{4}$ full with water and place in the freezer compartment drawer.

If required, loosen the frozen ice cube tray with a blunt implement (spoon handle, etc.). Do not use pointed or sharp-edged implements!

Loosen the ice cubes by briefly holding the ice cube tray under running water or bend slightly **Fig. 13**.

Freezing food*

Freeze fresh, undamaged food only. Keep food which is to be frozen away from food which is already frozen. To prevent food from losing its flavour or drying out, place in airtight containers.

How to wrap food correctly:

1. Place the food in the wrapping.
2. Press out all the air.
3. Seal the wrapping.
4. Label the wrapping with the contents and date.

The following products are not suitable for wrapping food:

Wrapping paper, greaseproof paper, cellophane, refuse bags and used shopping bags.

The following products are suitable for wrapping food:

Plastic film, polyethylene blown film, aluminium foil and freezer tins. These products can be purchased from your dealer.

The following products are suitable for sealing the wrapped food:

Rubber bands, plastic clips, string, cold-resistant adhesive tape or similar. Bags and polyethylene blown film can be sealed with a film sealer.

Storage duration of the frozen food

Depends on the type of food. At a mean temperature:

- Fish, sausage, ready meals and cakes and pastries:
up to **6 months**
- Cheese, poultry and meat:
up to **8 months**
- Vegetables and fruit:
up to **12 months**

Max. freezer capacity

Food should be frozen right through as quickly as possible. Only in this way are vitamins, nutritional values, appearance and taste retained. Therefore, you should not exceed the maximum freezing capacity of your appliance.

Information about the max. freezing capacity within 24 hours can be found on the rating plate.

Thawing frozen food*

Depending on the type of food and intended use, frozen produce can be thawed as follows:

- At room temperature
- In the refrigerator
- In an electric oven, with/without fan assisted hot-air
- In the microwave

Note

Do NOT refreeze food which is beginning to thaw or which has already thawed. It can only be refrozen when it has been used to prepare a ready meal (boiled or fried).

No longer store the frozen produce for the max. storage period.

Switching off and disconnecting the appliance

Switching off the appliance

Press the main switch **Fig. 2/1**. Refrigerating unit and interior light switch off.

Disconnecting the appliance

If the appliance is not to be used for a prolonged period:

1. Switching off the appliance.
2. Pull out the mains plug or switch off the fuse.
3. Cleaning the appliance.
4. Leave the appliance door open.

Defrosting the freezer compartment*

The freezer compartment does not defrost automatically, as the frozen food must not thaw. A layer of hoarfrost in the freezer compartment will impair refrigeration of the frozen food and increase power consumption. Remove the layer of hoarfrost regularly.

Attention: Do not scrape off hoarfrost or ice with a knife or pointed object. You could damage the refrigerant tubing. Leaking refrigerant may ignite or cause eye injuries.

Proceed as follows:

1. Remove the frozen food and store temporarily in a cool location.
2. Pull out the mains plug or remove the fuse.
3. Leave the appliance door open. Wipe up condensation with a cloth or sponge.
4. Wipe the freezer compartment dry.
5. Switch on the appliance again.
6. Put the frozen food back in the freezer compartment.

Defrosting aids

You can accelerate the defrosting process by placing a pan of hot water in the freezer compartment.

Attention: place the pan on a heat-insulating base!

Warning: Never use electrical appliances or naked flames to defrost the freezer compartment, e.g. heaters, steam cleaners, candles, kerosene lamps, etc.

Caution when using defrosting sprays:

- Defrosting sprays may form explosive gases.
- Defrosting sprays may contain solvents or propellants which attack plastic.
- Defrosting sprays may be a health hazard.

Follow the manufacturer's instructions.

Refrigerator compartment defrosts fully automatically

While the refrigerating unit is running, beads of condensation or hoarfrost form at the back of the refrigerator compartment. This is quite normal. It is not necessary to wipe off the condensation or frost. The rear panel defrosts automatically. The condensation runs into the condensation channel

Fig. 3 and is conveyed to the refrigerating unit where it evaporates.

Note: Keep the condensation channel and drain hole **Fig. 3** clean so that the condensation can drain.

Cleaning the appliance

Attention!

Do not use abrasive, chloride or acidic cleaning agents or solvents.

Do not use scouring or abrasive sponges. The metallic surfaces in the appliance could corrode.

Never clean shelves and containers in the dishwasher. The parts may warp!

Proceed as follows:

- Before cleaning: Switch off the appliance.
- Pull out the mains plug or switch off the fuse!
- Take out the frozen food and store in a cool location. Place the ice block (if enclosed) on the food.
- Clean the appliance with a soft cloth, lukewarm water and a little pH-neutral washing-up liquid. The rinsing water must not run into the light.
- Wipe the door seal with clear water only and then wipe dry thoroughly.
- After cleaning reconnect and switch on the appliance.

Note

Regularly clean condensation channels and drainage hole, **Fig. 3**, with cotton buds, etc. so that the condensation can run out.

Tips for saving energy

- Install the appliance in a dry, well ventilated room, but not in direct sunlight and not near a heat source (e.g. radiator, cooker, etc.). If required, use an insulating plate.
- Allow warm food and drinks to cool down before placing in the appliance!
- When thawing frozen products, place them in the refrigerator. The low temperature of the frozen products cools the food in the refrigerator.
- Open and close the door as briefly as possible.
- A layer of hoarfrost in the freezer compartment will impair refrigeration of the frozen food and increase power consumption. Defrost the appliance if frost forms!*
- Ensure that the freezer compartment door* has been closed properly.
- Occasionally clean the rear of the appliance with a vacuum cleaner or paint brush to prevent an increased power consumption.

Operating noises

Normal noises

Humming – refrigerating unit is running.

Bubbling, gurgling or whirring noises – refrigerant is flowing through the tubing.

Clicking – motor is switching on or off.

Preventing noises

The appliance is not level

Please align the appliance with a spirit level. Use the height-adjustable feet or place something under the feet.

The appliance is not free-standing

Please move the appliance away from adjacent units or appliances.

Drawers or storage areas wobble or stick

Please check the removable parts and, if required, reinsert them.

Bottles or receptacles are touching each other

Please move bottles or receptacles away from each other.

*only for appliances with a freezer compartment

Eliminating minor faults yourself

Before you call customer service:

Check whether you can eliminate the fault yourself based on the following information. A technician who is called out to give advice will charge you, even if the appliance is still under guarantee.

Fault	Possible cause	Remedial action
Temperature differs greatly from the set value.		<p>In some cases it is adequate to switch off the appliance for 5 minutes.</p> <p>If the temperature is too high wait a few hours and check whether the temperature has approached the set value.</p> <p>If the temperature is too low check the temperature again the next day.</p>
Light does not function.	<p>The bulb is defective.</p> <p>Light switch is sticking. Fig. 15/A</p>	<p>Change the bulb Fig 15/B</p> <ol style="list-style-type: none"> 1. Pull out the mains plug or disconnect the fuse. 2. Remove bulb cover towards the rear. (Replacement bulb, 220–240 V a.c., E14 bulb holder, see defective bulb for wattage) <p>Check whether it can be moved.</p>
Temperature display lamp flashes Fig. 2/3 . (The freezer compartment is too warm)	<p>Appliance door opened frequently.</p> <p>A lot of food was placed in the freezer.</p> <p>The ventilation openings have been covered.</p>	<p>Do not open the door unnecessarily.</p> <p>Remove obstacles.</p>
The frozen food is frozen solid.*		<p>Loosen frozen food with a blunt object.</p> <p>Do not use a knife or pointed object. You could damage the refrigerant tubing or the plastic surface.*</p>

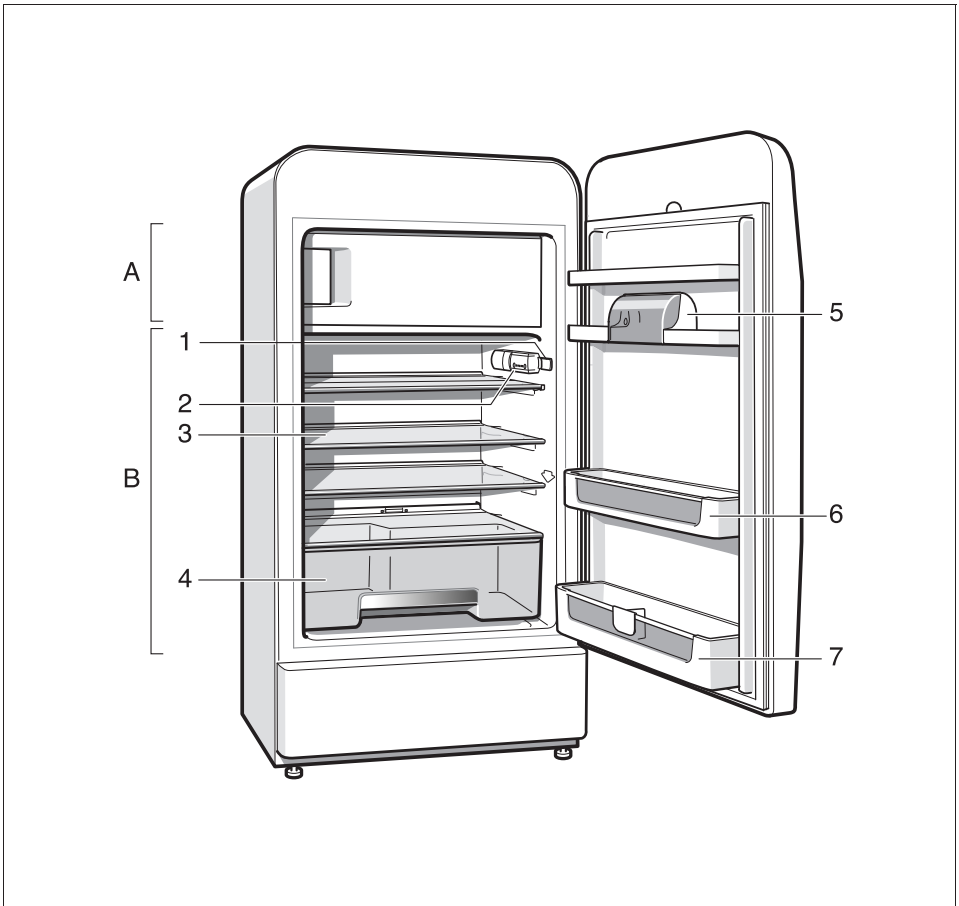
Fault	Possible cause	Remedial action
There is a thick layer of frost in the freezer compartment.*		Defrosting the freezer compartment (see Defrosting). Always ensure that the freezer compartment door is closed properly. Freezer compartment door must “click” shut.*
Floor of the refrigerator compartment is wet.	The condensation outlet is blocked. Fig. 3	Clean the condensation channel and the outlet (see Cleaning the appliance).
The temperature in the refrigerator compartment is too cold.	Temperature has been set too low. If large quantities of fresh food are being frozen, the temperature in the refrigerator compartment drops temporarily, as the refrigerating unit runs for a long time.*	Increase the temperature. Do not exceed max. freezing capacity.*
The refrigerating unit is switching on more frequently and for longer.	Large quantities of fresh food are being frozen.* The ventilation openings have been covered.	Do not exceed max. freezing capacity.* Remove obstacles.
Refrigerator has no cooling capacity.	On/Off switch is not switched on. Power failure; the fuse has been switched off; the mains plug has not been inserted properly.	Press On/Off switch. Check whether the power is on, check the fuses.

Customer service

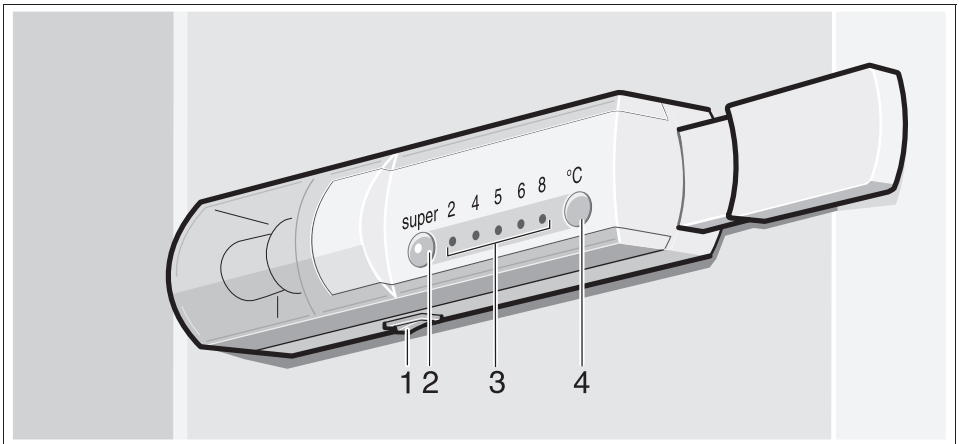
Your local customer service can be found in the telephone directory or in the customer-service index. Please provide customer service with the appliance product number (**E no.**) and production number (**FD no.**).

This information can be found on the product label. **Fig. 14**

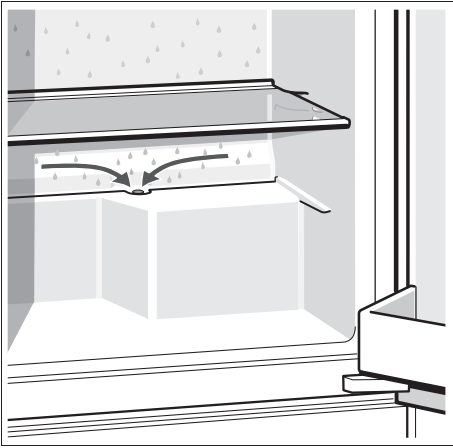
To prevent unnecessary call-outs, please assist customer service by quoting the product and production numbers. This will save you additional costs.



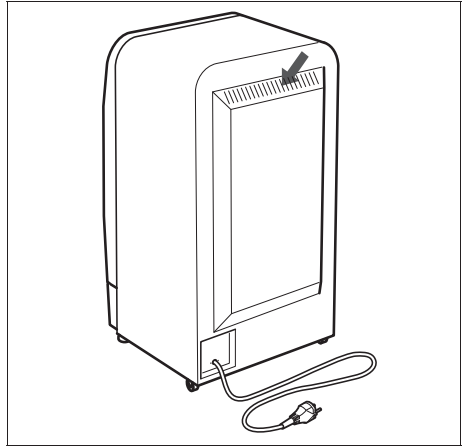
1



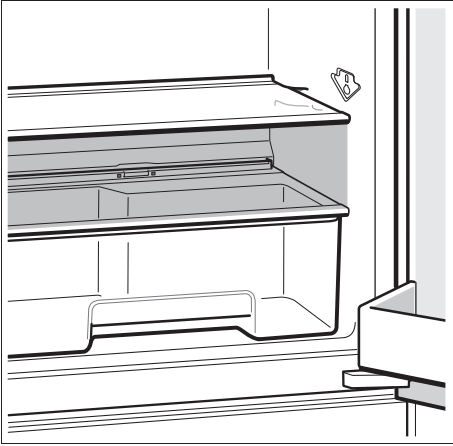
2



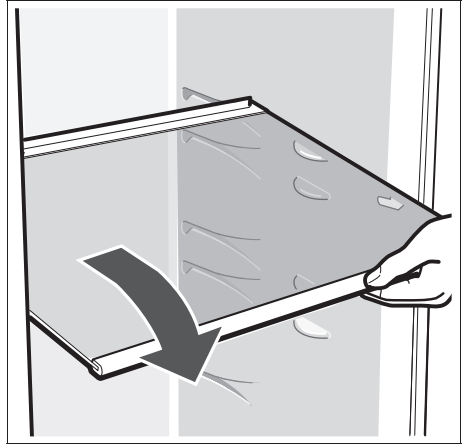
3



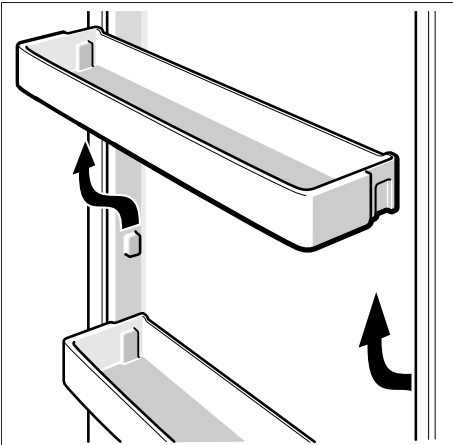
4



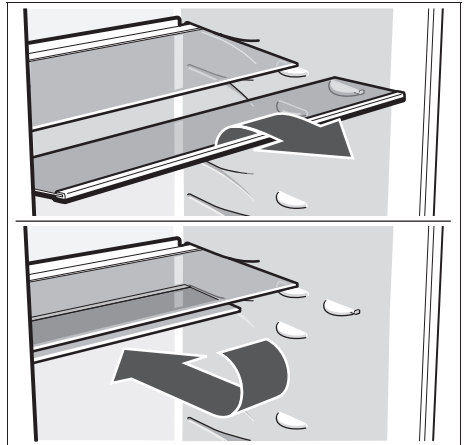
5



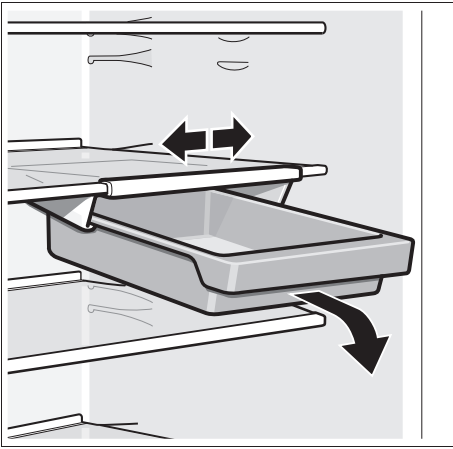
6



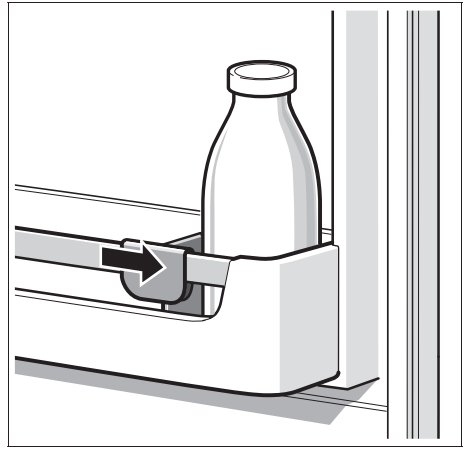
7



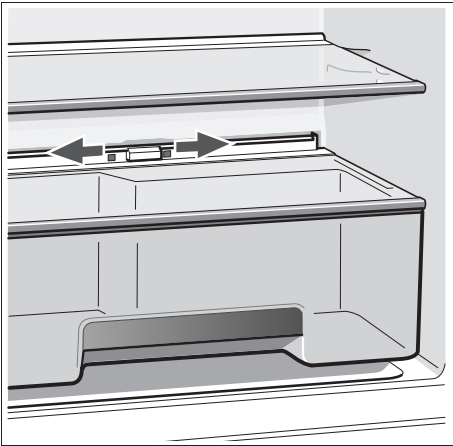
8



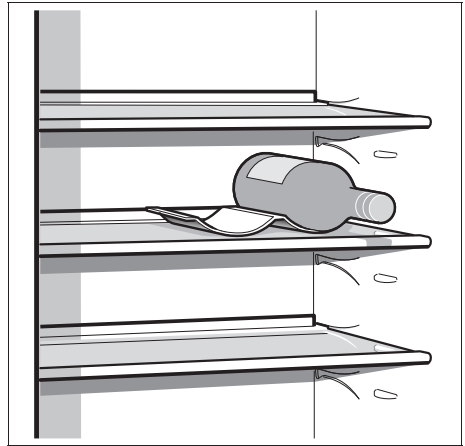
9



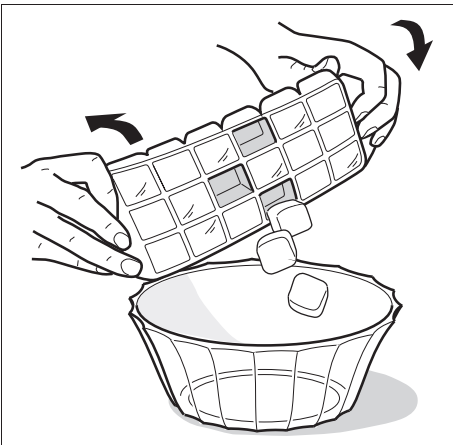
10



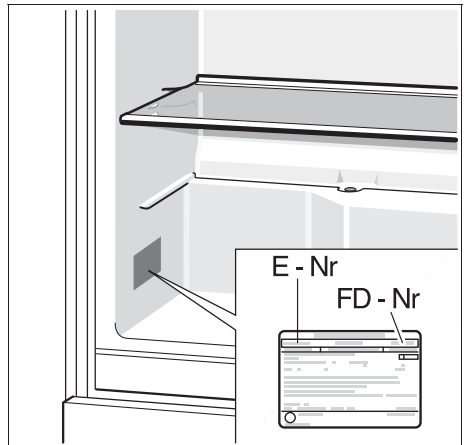
11



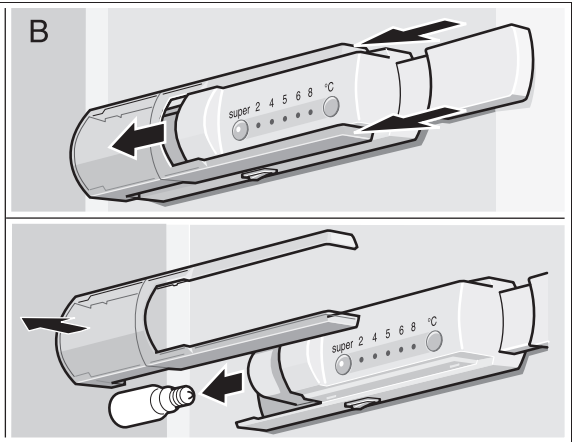
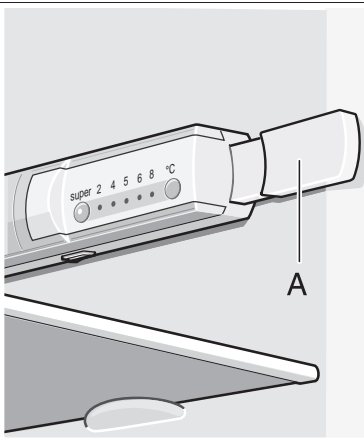
12



13



14



Bosch Infoteam (Mo-Fr: 8.00-18.00 Uhr erreichbar)

Für Produktinformationen sowie Anwendungs- und Bedienungsfragen:

Tel.: **01805 304050*** oder unter **bosch-infoteam@bshg.com**

*) 0,14 EUR/Min aus dem Festnetz der T-Com, Mobil ggfs. abweichend.

Nur für Deutschland gültig!

Subject to alterations.

