

B22CS..



BOSCH

USE AND CARE GUIDE

GUIDE D'UTILISATION ET ENTRETIEN

MANUAL DE USO Y CUIDADO

USE AND CARE GUIDE 3

GUIDE D'UTILISATION ET ENTRETIEN..... 27

MANUAL DE USO Y CUIDADO 51

Table of Contents

IMPORTANT SAFETY INSTRUCTIONS	5
Electrical Connection	5
Grounding instruction	5
RISK OF CHILD ENTRAPMENT	5
IMPORTANT INFORMATION WHEN USING THE APPLIANCE	5
TECHNICAL SAFETY	6
IMPORTANT	6
CFC DISPOSAL	6
Definitions	6
General information	6
Congratulations	6
Installation	7
Installation location	7
Subsurface	7
Observe ambient temperature and ventilation	7
Electrical requirements	7
Water connection	8
Installing and connecting the appliance	8
Aligning the appliance	8
Appliances and installation dimensions	9
Door opening angle	9
Unscrewing handles/appliance doors	10
Getting to know your appliance	11
Control and display panel	12
Switching on the appliance	13
Selecting the temperature	13
Refrigerator compartment	13
Freezer compartment	13
Warning signal	13
The door warning signal	13
Temperature warning signal	13
Super cooling	14
Super freezing	14
Selecting the temperature unit	14
Refrigerator compartment	14
Using the refrigerator compartment	14
When storing food, comply with the following	14
Vegetable compartment with humidity filter	15
Usable capacity	15
Variable interior design	15
Shelves	15
Door storage compartment	15
Freezer compartment	15
Freezer calendar	16
Freezing food	16
Freezing capacity	16
Storage duration of the frozen food	16
Purchasing and storing deep-frozen food	16
Thawing frozen food	16

Ice and water dispenser	17
Using for the first time	17
Operating the ice maker	17
Observing drinking water quality	17
Dispensing ice/water	17
Disconnecting the ice maker	18
Switching off ice and water dispenser	18
Water filter	18
Important information concerning the water filter	18
Exchanging the filter cartridge	18
Specification and performance data sheet	19
Tips for saving energy	20
Operating noises	20
Normal noises	20
Preventing the noises	20
Defrosting	20
Freezer compartment	20
Refrigerator compartment	20
Switching off and disconnecting the appliance	20
Switching off the appliance	20
Disconnecting the appliance	20
Cleaning	20
Cleaning the appliance	20
Cleaning the humidity filter	21
Cleaning the water collecting tray	21
Cleaning the ice cube container	21
Light	21
LED light	21
Changing the bulbs in the refrigerator and freezer compartments	21
Eliminating minor faults yourself	22
Ice and water dispenser	23
Appliance self-test	24
Starting the appliance self-test	24
Ending the appliance self-test	24
Service	24
STATEMENT OF LIMITED PRODUCT WARRANTY	25

IMPORTANT SAFETY INSTRUCTIONS

READ AND SAVE THESE INSTRUCTIONS!

WARNING

When using this appliance, always exercise basic safety precautions, including the following:

1. Use this appliance only for its intended purpose as described in this Owner's Manual.
2. This refrigerator must be properly installed in accordance with the Installation Instructions before it is used.
3. Do not allow children to climb, stand or hang on the shelves in the refrigerator. They could seriously injure themselves and damage the refrigerator.
4. After your refrigerator is in operation, do not touch the cold surfaces in the refrigerator compartment, particularly when hands are damp or wet. Skin may adhere to these extremely cold surfaces.
5. Do not store or use gasoline or other flammable vapors and liquids in the vicinity of this or any other appliance.
6. In freezers with an automatic icemaker, avoid contact with the moving parts of the ejector mechanism, or with the heating element located on the bottom of the icemaker. Do not place fingers or hands on the automatic icemaking mechanism while the freezer is plugged in.
7. Unplug your refrigerator before cleaning and making repairs. NOTE: We strongly recommend that any servicing be performed by a qualified individual.
8. Before replacing a burned-out light bulb, pull out the main plug or switch of the fuse to turn off the lights in order to avoid contact with a live wire filament.

9. A burned-out light bulb may break when being replaced. NOTE: Setting the refrigerator temperature controls to OFF does not remove power to the light circuit.
10. Do not refreeze frozen foods which have thawed completely.

Electrical Connection

The appliance comes with an UL listed, 3-wire power supply cord.

The appliance requires a 3-wire receptacle.

The receptacle must be installed by a licensed electrician only.

Grounding instruction

This appliance must be grounded. In the event of a malfunction or breakdown, grounding will reduce the risk of electric shock by providing a path of least resistance for the electric current.

Improper connection of the equipment grounding conductor may result in electric shock. Have the appliance checked by a qualified electrician or service technician if you are in doubt as to whether the appliance has been properly grounded.

Some local regulations may require a separate ground. In such cases, the required accessory ground wire, clamp and screw must be purchased separately.

Never ground the appliance to plastic plumbing lines, gas lines or water pipes.

RISK OF CHILD ENTRAPMENT

Child entrapment and suffocation are not problems of the past. Junked or abandoned refrigeration products are still dangerous... even if they will sit for "just a few days". If you are getting rid of your old appliance, please follow these instructions to help prevent accidents.

Before You Throw Away Your Old Refrigeration Product:

- Take off the doors.
- Leave the shelves in place so that children may not easily climb inside.

IMPORTANT INFORMATION WHEN USING THE APPLIANCE

Never use electrical appliances inside the appliance (e. g. heater, ice maker, etc.).

Risk of explosion!

NEVER use a steam cleaner to defrost or clean the appliance! The steam may penetrate electrical parts and cause a short-circuit.

Risk of electric shock!

Do not store products which contain flammable propellants (e. g. spray cans) or explosive substances in the appliance.

Risk of explosion!

Do not stand or support yourself on the base, drawers or doors, etc..

For cleaning and exchanging the bulb, pull the mains plug out or switch off the fuse. Do not pull out the mains plug by tugging the cable.

Bottles which contain a high percentage of alcohol must be sealed and stored in an upright position.

Keep plastic parts and the door seal free of oil and grease. Otherwise, parts and door seal will become porous.

Never cover or block the ventilation openings for the appliance.

Do not store bottled or canned drinks (especially carbonated drinks) in the freezer compartment. Bottles and cans may explode!

Never put frozen food straight from the freezer compartment into your mouth.

Risk of low-temperature burns!

Avoid prolonged touching of frozen food, ice or the evaporator pipes, etc.

Risk of low-temperature burns!

TECHNICAL SAFETY

Only customer service may change the power cord and carry out any other repairs. Improper installations and repairs may put the user at considerable risk.

Only original parts supplied by the manufacturer may be used.

The manufacturer guarantees that only these parts satisfy the safety requirements.

IMPORTANT

Save these instructions for local inspector's use. Observe all governing codes and ordinances.

People who have limited physical, sensory or mental abilities or inadequate knowledge must not use this appliance unless they are supervised or given meticulous instructions.



CFC DISPOSAL



Your old refrigerator may have a cooling system that used CFC's (chlorofluorocarbons).

CFC's are believed to harm stratospheric ozone.


If you are throwing away an old refrigeration product, make sure the CFC refrigerant is removed for proper disposal by a qualified servicer. If you intentionally release this CFC refrigerant, you can be subject to fines and imprisonment under provisions of environmental legislation.

Definitions

	WARNING	
WARNING – This indicates that death or serious injuries may occur as a result of not observing this warning.		

	CAUTION	
CAUTION – This indicates that minor or moderate injuries may occur as a result of not observing this warning.		

NOTICE		
NOTICE – This indicates that damage may occur as a result of not observing this warning.		

 This symbol is used to draw the user's attention to something in particular.

General information

This appliance is suitable for

- refrigerating food,
- freezing food,
- for making ice,
- for dispensing drinking water.

This appliance is designed for domestic use only.

The appliance is suppressed according to EU Directive 89/336/EEC.

The refrigeration circuit has been checked for leaks.

Congratulations

With the purchase of your new fridge-freezer you have opted for a modern, high-quality domestic appliance.

Your fridge-freezer is distinguished by its economical energy consumption.

Each appliance which leaves our factory is inspected thoroughly to ensure that it functions properly and is in perfect condition.

If you have any questions – particularly concerning installation and connection of the appliance – please do not hesitate to contact our customer service.

Further information and a selection of our products can be found on our home page.

Please read these operating instructions as well as the installation instructions and all information enclosed with the appliance and follow accordingly.

Retain all documents for subsequent use or for the next owner.

Installation

WARNING

Excessive Weight!

- Keep doors taped closed until refrigerator is completely installed.
 - Use two or more people to move and install refrigerator.
- Failure to do so can result in death or serious injury.

WARNING

Do not install the appliance:

- outdoors,
- in an environment with dripping water,
- in rooms which are at risk of frost.

Installation location

WARNING



Explosion Hazard

Do not store or use gasoline or other flammable vapors and liquids in the vicinity of this or any other appliance.

Failure to do so can result in death, explosion or fire.

Install the appliance in a dry, well ventilated room. The installation location should neither be exposed to direct sunlight nor near a heat source, e.g. a cooker, radiator, etc. If installation next to a heat source is unavoidable, use a suitable insulating plate or observe the following minimum distances to a heat source:

- 1¹/₄" (3 cm) to electric or gas cookers.
- from an oil or solid-fuel cooker 11³/₁₆" (30 cm).

If installing the appliance next to another refrigerator or freezer, there must be a minimum gap of 1" (25 mm) between the appliances in order to prevent condensation.

If a panel or cupboard is installed above the appliance, ensure that a gap of 1¹/₄" (30 mm) is left so that the appliance can be pulled out of the recess if required.

The air heated on the rear side of the appliance must be allowed to escape unhindered.

Subsurface

The appliance is very heavy – empty weight of appliance with dispenser: 317 lbs / 143 kg.

The floor on which the appliance is to be installed must be rigid. If required, reinforce the floor.

To ensure that the doors can open all the way, observe lateral minimum distances when installing the appliance in a corner or recess (see section on "Appliances and installation dimensions").

If the depth of the adjacent kitchen equipment is more than 22³/₈" (60 cm), observe lateral minimum distances in order to utilise the full door opening angle (see section "Door opening angle").

Observe ambient temperature and ventilation

Room temperature

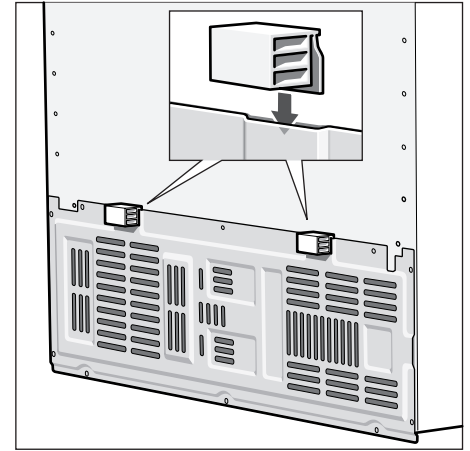
The climatic class can be found on the rating plate. It states the room temperature within which the appliance can be operated.

Climatic class	Permitted ambient temperature
SN	+50 °F to 89.6 °F (+10 °C to 32 °C)
N	+60.8 °F to 89.6 °F (+16 °C to 32 °C)
ST	+60.8 °F to 100.4 °F (+16 °C to 38 °C)
T	+60.8 °F to 109.4 °F (+16 °C to 43 °C)

Ventilation

Never cover the ventilation openings on the rear panel.

Otherwise the refrigerating unit must work harder, increasing the power consumption.



Place the enclosed spacers in the designated holders on the back of the appliance. This ensures that there is a minimum distance between the appliance and the wall.

Electrical requirements

WARNING

Avoid Electrical Shock Hazard

- Plug into a grounded 3 prong outlet.
- Do not remove ground prong.
- Do not use an adapter.
- Do not use an extension cord.

Failure to follow these instructions can result in death, fire, or electrical shock.

Improper connection of the equipment grounding conductor may result in electric shock.

Have the appliance checked by a qualified electrician or service technician if you are in doubt as to whether the appliance has been properly grounded.

A 115 Volt, 60 Hz., AC only 15- or 20-amp fused, grounded electrical supply is required.

The appliance comes with an UL listed, 3-wire power supply cord.

The appliance requires a 3-wire receptacle. Use a receptacle that cannot be turned off by a switch.

The receptacle must be installed by a licensed electrician only.

Water connection

Have a technician install the appliance and connect it to the water supply according to the enclosed installation instructions.

A cold water connection is required for operation of the automatic ice maker.

The water pressure must be between 29 and 116 psi (2.0–8.0 bar).

The installation must comply with local plumbing regulations and local and state laws.

A separate shut-off valve must be installed for the appliance water connection.

The shut-off valve for the water connection must not be behind the appliance. It is recommended to place the shut-off valve directly next to the appliance (base unit) or in another easily accessible location.

NOTICE

The maximum external diameter of the water line (without connecting pieces) is $1\frac{3}{32}$ " (10 mm).

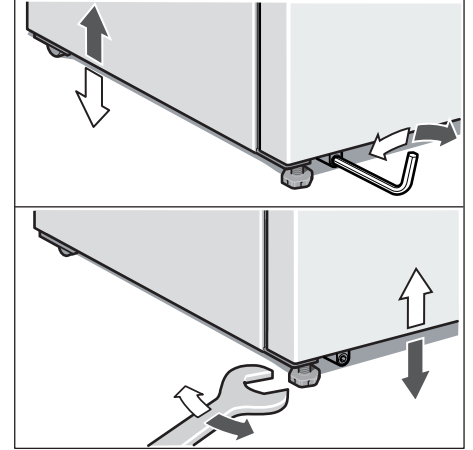
Installing and connecting the appliance

- ❑ Have a technician install and connect the appliance according to the enclosed installation instructions.
- ❑ After installing the appliance, wait at least 1 hour until the appliance starts up. During transportation the oil in the compressor may have flowed into the refrigeration system.
- ❑ Before switching on the appliance for the first time, clean the interior of the appliance (see "Cleaning").
- ❑ Always connect the water before the power.
- ❑ Apart from statutory national regulations, you should stick to the connection terms relating to the local electricity and water companies.
- ❑ Do not remove the transportation protection devices from the shelves and storage compartments until the appliance has been installed.

Aligning the appliance

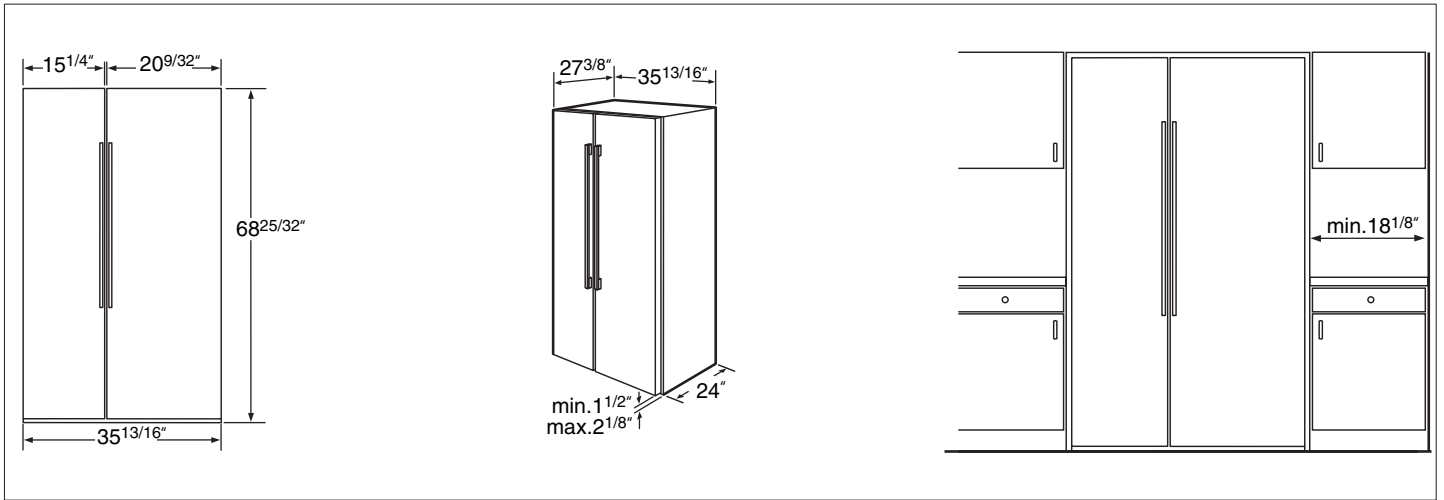
To ensure that the appliance functions correctly, it must be set level with a spirit level.

If the appliance is not level, water may flow out of the ice maker, ice cubes may be irregular or the doors may not close properly.

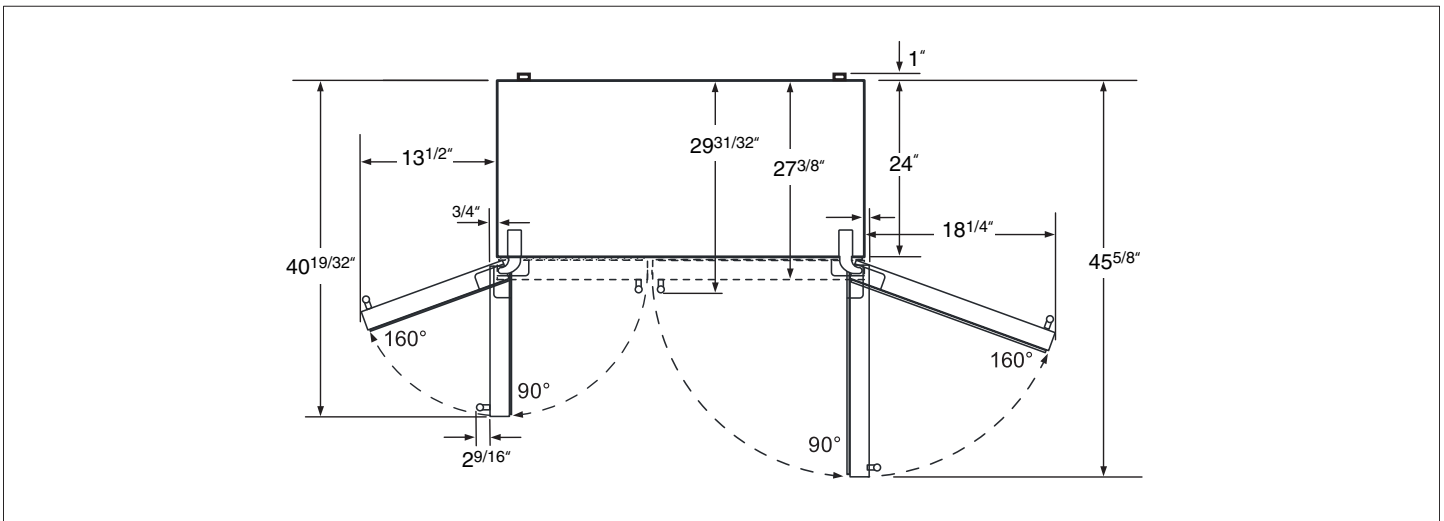


- ❑ Place the appliance in the designated location.
- ❑ Align front feet with a hexagon wrench.
- ❑ Align rear feet with an Allen key.

Appliances and installation dimensions



Door opening angle

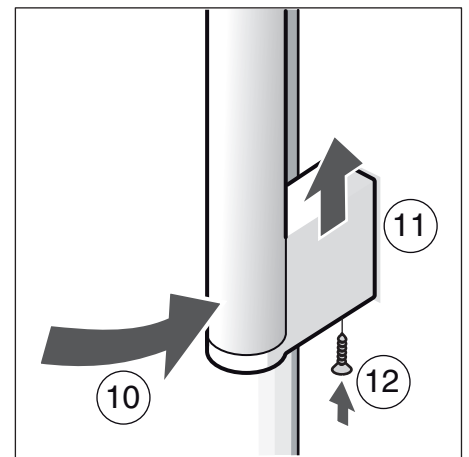
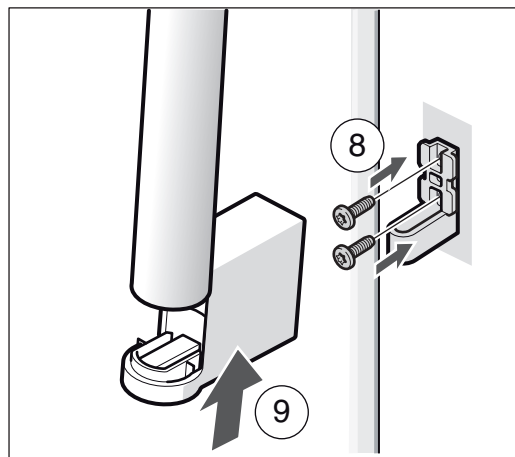
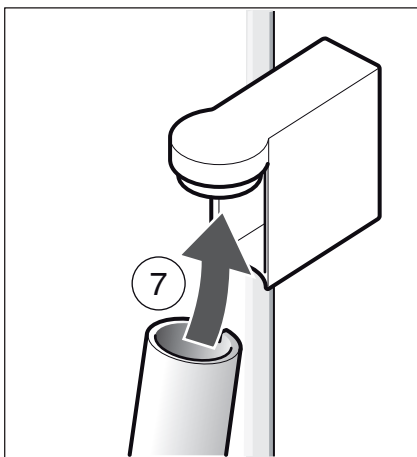
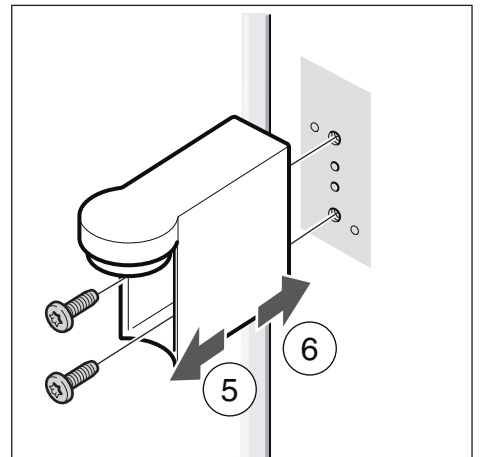
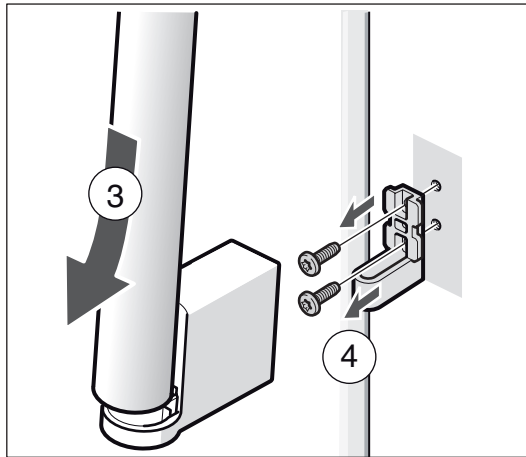
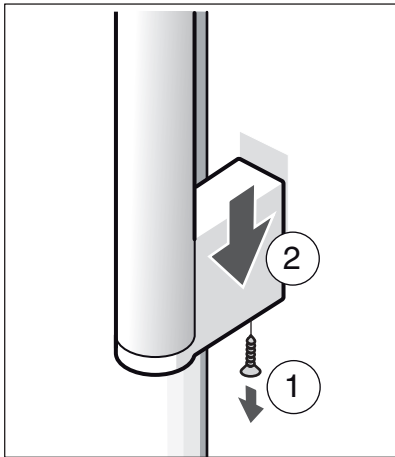


Unscrewing handles/appliance doors

If the appliance will not fit through the house door, the handles or the appliance doors can be unscrewed.

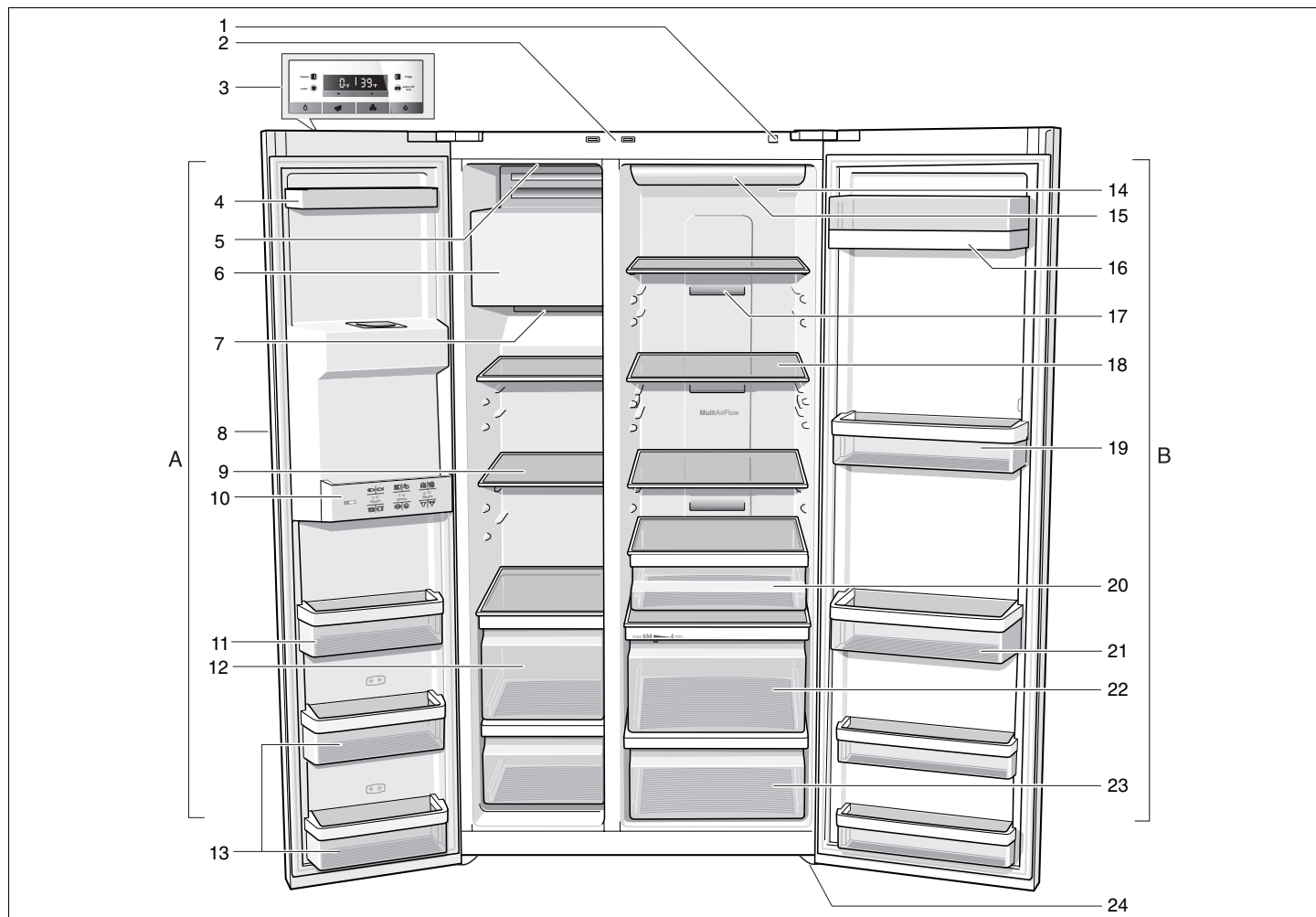
⚠ CAUTION ⚠

If the appliance doors have to be unscrewed, only allow customer service to carry out this installation step.



Getting to know your appliance

These operating instructions refer to several models. The illustrations may differ.



A Freezer compartment

can be selected from
7 °F (-14 °C) to -11 °F (-24 °C)

B Refrigerator compartment

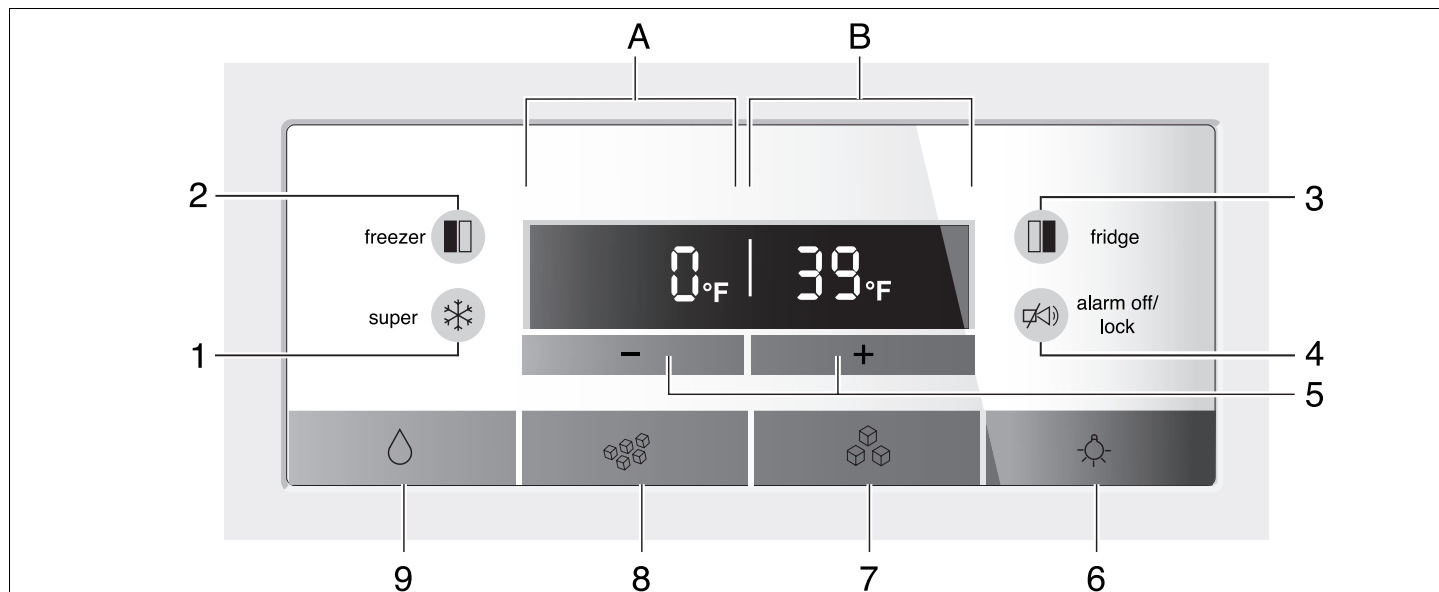
can be selected from
36 °F (+2 °C) to 46 °F (+8 °C)

- | | | | |
|----|---|----|--|
| 1 | On/Off button | 14 | Particle filter/Water filter |
| 2 | Light switch for refrigerator and freezer compartments | 15 | Refrigerator compartment light |
| 3 | Control and display panel | 16 | Butter and cheese compartment |
| 4 | Door storage compartment | 17 | Air outlet openings |
| 5 | On/Off button Ice maker | 18 | Glass shelves in refrigerator compartment |
| 6 | Ice maker/Ice cube container | 19 | Door storage compartment |
| 7 | Air outlet openings | 20 | Delicatessen drawer |
| 8 | Ice and water dispenser | 21 | Door storage compartment for large bottles |
| 9 | Glass shelves in freezer compartment | 22 | Vegetable compartment with humidity filter |
| 10 | Frozen-food calendar | 23 | Vegetable compartment |
| 11 | Door storage compartment | 24 | Height-adjustable feet |
| 12 | Freezer drawer | | |
| 13 | Door storage compartment (2-star compartment) for short-term storage of food and ice cream. | | |

* not all models

Control and display panel

The fascia and display panel on the door consists of a touch pad. Touch the keypad to actuate the corresponding function.



1 “super” button

To switch on the Super freeze or Super cool functions. See “Super freezing” and “Super cooling” section.

2 “freezer” button

To implement settings for the freezer compartment, press button until “freezer” is lit on the freezer compartment display panel.

3 “fridge” button

To implement settings for the refrigerator compartment, press button until “fridge” is lit on the refrigerator compartment display panel.

4 “alarm/lock” button

The button is used to

- switch off the warning signal. See “Warning signal” section.
- switch the button lock on and off.

When the “lock” function is activated, no settings are possible via the control panel.

Exception to button lock:

If a warning signal sounds, the “alarm/lock” button can be pressed to switch off the warning signal.

To switch the button lock on and off, press button for 5 seconds. When the function is switched on, “lock” is indicated on the display panel.

5 Selection buttons “+” and “-”

These buttons are used to set temperatures in the different cooling zones.

6 On/Off “light” button for ice and water dispenser

7 Dispenser button for ice cubes

8 Dispenser button for crushed ice

9 Water dispenser button

A Display panel, freezer compartment

B Display panel, refrigerator compartment

Switching on the appliance

- ❑ Switch on the appliance with the On/Off button.
- ❑ Press the “alarm/lock” button. The warning signal switches off.
- i** The “alarm” display goes out as soon as the set temperature has been reached.

The preset temperatures are reached after several hours. Do not put any food in the appliance beforehand.

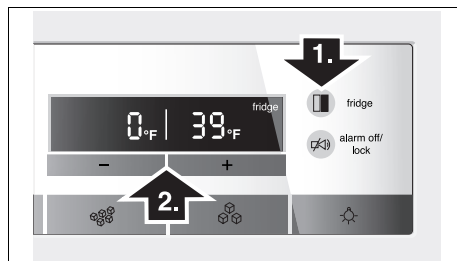
The factory has recommended the following temperatures:

- Refrigerator compartment: 39 °F (+4 °C)
- Freezer compartment: 0 °F (–18 °C)

Selecting the temperature

Refrigerator compartment

1. Press “fridge” button until “fridge” is lit on the display panel.
2. Set the temperature with the “+” (warmer) or “–” (cooler) selection buttons.



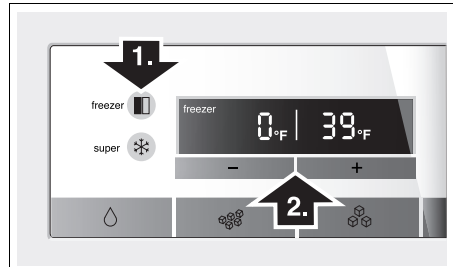
The temperature can be set at one degree intervals.

The refrigerator compartment can be set from 36 °F (+2 °C) to 46 °F (+8 °C).

Perishable food should not be stored warmer than 39 °F (4 °C).

Freezer compartment

1. Press “freezer” button until “freezer” is lit on the display panel.
2. Set the temperature with the “+” (warmer) or “–” (cooler) selection buttons.



The temperature can be set at one degree intervals.

The freezer compartment can be set from 7 °F (–14 °C) to –11 °F (–24 °C).

The value last indicated is saved by the system.

Warning signal

In the following cases a warning signal may sound:

The door warning signal

The door warning signal sounds if one of the appliance doors is open for longer than one minute. Close the door to switch off the warning signal.

Press the “alarm/lock” button to switch off the warning signal.

Temperature warning signal

The temperature warning signal switches on if the freezer or the refrigerator compartment is too warm and the food is at risk of thawing.

The acoustic and optical signals may be actuated without risk to the frozen food when:

- The appliance is switched on.
- Large quantities of fresh food are placed in the freezer.

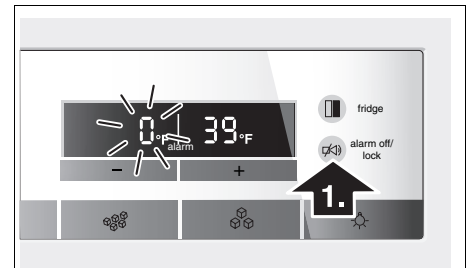
Freezer compartment

⚠ CAUTION ⚠

Do not refreeze food which has started to thaw or already thawed. It can only be refrozen when it has been used to prepare a ready meal (boiled or fried).
No longer store the frozen produce for the max. storage period.

The set temperature of the freezer compartment flashes and “alarm” is displayed.

Press the “alarm/lock” button to switch off the warning signal.



The temperature display indicates for 10 seconds the warmest temperature which was reached in the freezer compartment. Then the set temperature is displayed again.

The “alarm” display goes out as soon as the set temperature has been reached.

Refrigerator compartment

⚠ CAUTION ⚠

If the refrigerator compartment has become too warm, cook warmed refrigerated food before consumption. If in doubt, do not use raw food.

“alarm” is indicated on the refrigerator compartment display panel.

Press the “alarm/lock” button to switch off the warning signal.

Super cooling

Super cooling cools the refrigerator compartment as cold as possible for approx. 6 hours. Then the temperature set before super mode is automatically restored.

Super cooling is recommended especially:

- before placing large quantities of food in the refrigerator compartment.
- to cool drinks quickly.

Switch on super cooling

1. Press “fridge” button until “fridge” is lit on the display panel.
2. Then press the “super” button. “super” is indicated on the display panel.



Switching off super cooling

As when switching on, select the refrigerator compartment area, then press the “super” button. “super” goes out on the display panel.

Super freezing

In order to retain the vitamins, nutritional value, appearance and flavour food should be frozen as quickly as possible. Vitamins, nutritional values, appearance and taste are therefore retained.

To prevent an undesirable temperature rise when placing fresh food in the freezer compartment, switch on fast freeze several hours beforehand.

As a rule, 4–6 hours is adequate. If max. freezing capacity is to be utilised, 24 hours are required.

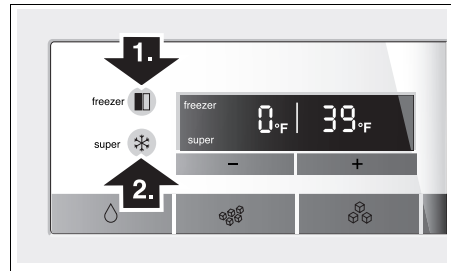
Smaller quantities of food can be frozen without fast freeze.

Switching on super freezing

1. Press “freezer” button until

“freezer” is lit on the display panel.

2. Then press the “super” button. “super” is indicated on the display panel.



Switching off super freezing

To switch off, press the “super” button again.

NOTICE

“super freezing” switches off automatically after approx. 2½ days.

Selecting the temperature unit

The temperature can be displayed in degrees Fahrenheit (°F) or degrees Celsius (°C).

Selecting the temperature unit:

- Hold down “fridge” and “freezer” buttons for 5 seconds.

Depending on the previous setting, the display switches to the other temperature unit.

Refrigerator compartment

WARNING



Risk of explosion!

Do not store or use gasoline or other flammable vapors and liquids in the vicinity of this or any other appliance.

Failure to do so can result in death, explosion or fire.

The refrigerator compartment temperature can be set from 36 °F (+2 °C) to 46 °F (+8 °C). We recommend a setting of 39 °F (+4 °C).

Perishable food should not be stored warmer than 39 °F (+4 °C).

Using the refrigerator compartment

For storage of cakes and pastries, ready meals, tinned food, condensed milk, hard cheese, fruit and vegetables sensitive to the cold: tropical fruit, e. g. mandarins, bananas, pineapples, melons, avocados, papayas, passion fruit, aubergines, also fruit which requires further ripening, tomatoes, cucumbers, green tomatoes, potatoes.

When storing food, comply with the following:

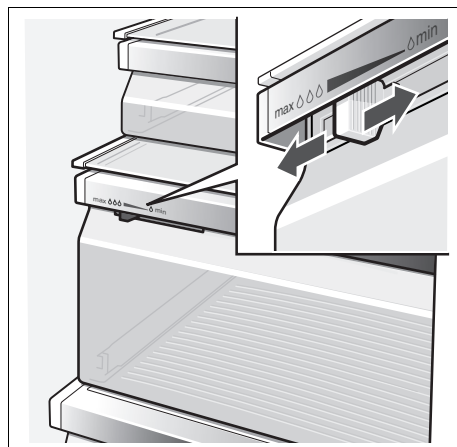
- Allow warm food and drinks to cool down outside the appliance.
- To prevent food from losing its flavour or drying out, place in airtight containers.
- Do not block air outlet openings with food, otherwise the air circulation will be impaired.
- Avoid contact of oil and fat with the plastic parts and door seal.
- Store high-percentage alcohol tightly closed and standing up.

Vegetable compartment with humidity filter

The humidity drawer is covered by a special filter which allows the air to pass through but retains the humidity.

A high air humidity keeps leafy vegetable fresh for longer. Vegetables and fruit should be stored at a slightly lower air humidity. The air humidity in the vegetable drawers depends on the amount of stored food.

If the air humidity is too high, drips may form and cause decay.



High air humidity

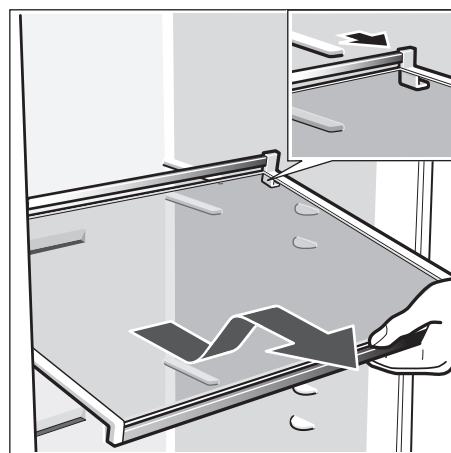
Regulator to left – ventilation opening is closed.

Low air humidity

Regulator to right – ventilation opening is open.

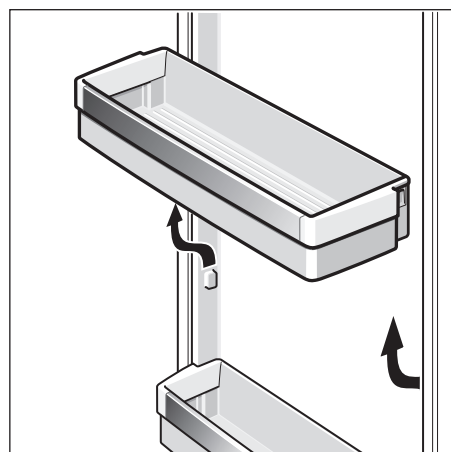
Variable interior design

Shelves



Pull shelf forwards, lower and swing out to the side.

Door storage compartment



Lift door container and take out.

Freezer compartment



WARNING



Explosion Hazard

Do not store or use gasoline or other flammable vapors and liquids in the vicinity of this or any other appliance.

Failure to do so can result in death, explosion or fire.

The freezer compartment temperature can be set from 7 °F (–14 °C) to –11 °F (–24 °C).

We recommend a setting of 0 °F (–18 °C).

Use the freezer compartment:

- For storing deep-frozen food.
- To freeze food.
- To make ice cubes.

Note:

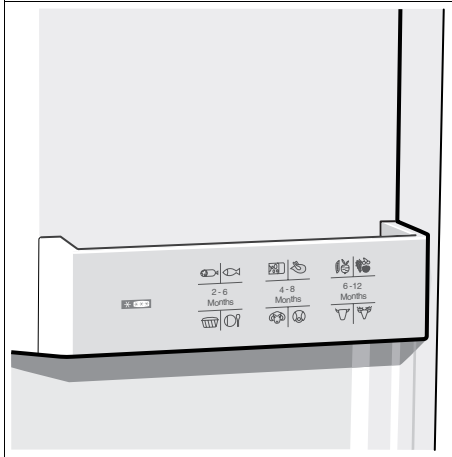
- Ensure that the freezer compartment door is always closed. If the door is open, the frozen food will thaw. The freezer compartment will become covered in thick ice. Also: Energy will be lost due to high power consumption.
- When the freezer compartment door is closed, a low pressure occurs, causing a sucking noise. Wait two to three minutes until the low pressure has adjusted itself.

Usable capacity

Information on the usable capacity can be found inside your appliance on the rating plate (diagram see “Service”).

Freezer calendar

(not all models)



The figures next to the symbols indicate the permitted storage period of the produce in months. When purchasing frozen produce, observe the date of manufacture or sell-by date.

Freezing food

Freeze fresh, undamaged food only. Keep food which is to be frozen away from food which is already frozen. To prevent food from losing its flavour or drying out, place in airtight containers.

Freezing capacity

Information about the max. freezing capacity within 24 hours can be found on the rating plate (diagram see "Service").

How to wrap food correctly:

- Place the food in the wrapping.
- Press out all the air.
- Seal the wrapping.
- Label the wrapping with the contents and date.

The following products are not suitable for wrapping food:

Wrapping paper, greaseproof paper, cellophane, refuse bags and used shopping bags.

The following products are suitable for wrapping food:

Plastic film, polyethylene blown film, aluminium foil and freezer tins.

These products can be purchased from your dealer.

The following products are suitable for sealing the wrapped food:

Rubber bands, plastic clips, string, cold-resistant adhesive tape or similar.

Bags and polyethylene blown film can be sealed with a film sealer.

Storage duration of the frozen food

Storage duration depends on the type of food. At a temperature setting of 0 °F (-18 °C):

- Fish, sausage, ready meals and cakes and pastries: **up to 6 months**
- Cheese, poultry and meat: **up to 8 months**
- Vegetables and fruit: **up to 12 months**

Purchasing and storing deep-frozen food

When purchasing deep-frozen food, comply with the following:

- Check that the packaging is not damaged.
- Check the sell-by date.
- The temperature of the supermarket freezer should be 0 °F (-18 °C) or lower. If not, the storage life of the food is reduced.
- Purchase deep-frozen food last. Wrap in newspaper or place in a cold bag and take home.
- At home immediately place deep-frozen food in the freezer compartment. Use the deep-frozen food before the sell-by date runs out.
- Do not refreeze thawed food. Exception: If you use the food to make a ready meal (boiling or frying), you can refreeze this ready meal.

Thawing frozen food

⚠ CAUTION ⚠

Do NOT refreeze food which is beginning to thaw or which has already thawed. Food cannot be refrozen until it has been prepared (boiled or fried).

No longer store the frozen produce for the max. storage period.

Depending on the type of food and intended use, frozen produce can be thawed as follows:

- at room temperature,
- in the refrigerator,
- in an electric oven with/without hot-air fan,
- in the microwave.

Ice and water dispenser

Remove where necessary:

- cooled water,
- crushed ice,
- ice cubes.

WARNING

To avoid risk of injury, never reach into the ice cube dispenser opening!

NOTICE

Do not place bottles or food in the cube container in order to cool them quickly. The ice maker may block and be damaged.

Using for the first time

The ice and water dispenser only works when the appliance is connected to the water mains.

When the appliance has been switched on, it takes approx. 24 hours until the first batch of ice cubes are ready.

When the appliance has been connected, there are still air bubbles in the lines.

Run off drinking water and pour away until water can be dispensed without bubbles. Pour away the first 5 glasses.

When using the ice maker for the first time, do not use the first 30–40 ice cubes for reasons of hygiene.

Operating the ice maker

When the freezer compartment has reached its freezing temperature, water flows into the ice maker and freezes into ice cubes. When the ice cubes are ready, they are automatically discharged into the ice cube container.

Occasionally the sides of the ice cubes stick together. When they are conveyed to the outlet opening, they usually break away from each other. When the ice cube container is full, ice making switches off automatically.

The ice maker can make approx. 100 ice cubes within 24 hours.

When ice cubes are being made, the buzzing water valve, the water flowing into the ice cube tray and the falling ice cubes can be heard.

Observing drinking water quality

All materials used in the drinks dispenser are odourless and tasteless.

If the water has an aftertaste, this may be caused by:

- Mineral and chlorine content of the drinking water.
- Material of the domestic water line or connection line.
- Freshness of the drinking water. If water has not been dispensed for a long time, the water may have a “stale” taste. In this case dispense approx. 15 glasses of water and pour away

Taste and odour of the water may be improved by installing the enclosed water filter in the water supply.

CAUTION

The enclosed water filter will filter only particles out of the supply water, not bacteria or microbes.

Dispensing ice/water

- Select the ice and water dispenser button (water, crushed ice or ice cubes).
- Keep pressing the button until the required quantity is in the glass.

Dispensing water:



Tip:

The water from the water dispenser is cooled to a palatable temperature. If you would like the water colder, place ice cubes in the glass before dispensing the water.

Dispensing ice:



Disconnecting the ice maker

CAUTION

The water supply line must be shut off several hours before the appliance or ice maker is switched off.

If ice cubes are not to be dispensed for longer than 1 week (e.g. holiday), temporarily disconnect the ice cube maker to prevent the ice cubes from freezing together.

- ❑ Remove the ice cube container.
- ❑ Press the On/Off switch **0** behind the ice cube tray – ice cube maker is switched off.



- ❑ Empty and clean ice cube container. Re-attach the ice cube container. Ensure that the ice cube container engages with the support.

Switching on the ice cube maker again:

- ❑ Restore water supply.
- ❑ Press the On/Off switch **I** behind the ice cube tray for 5 seconds – ice cube maker is switched on.

Note:

Do not take notices of the labelling under the On/Off switch. This is for Customer Service only.

Switching off ice and water dispenser

You can use this function to switch off the ice and water dispenser.

- ❑ Empty and clean ice cube container.
- ❑ Re-insert container. Ensure that the ice cube container engages with the support.
- ❑ To switch on and off, press the “freezer” and “super” buttons for 5 seconds. When the function is switched off, “IWD off” is lit on the display panel.

Water filter

CAUTION

Do not use the appliance in places where the water quality is risky or not sufficiently known about without suitable disinfection, before and after filtering.

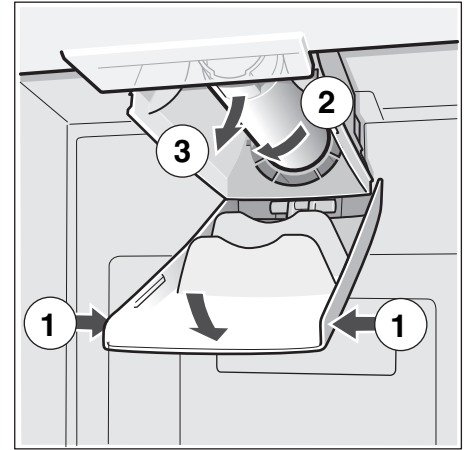
A filter cartridge for filtering particles can be obtained from customer service.

The water filter should be replaced after six months at the latest.

Important information concerning the water filter

- After use, the water system is subject to low pressure. Be careful when removing the filter!
- Rinse the water system through if the appliance has not been used for a long period, or if the water tastes or smells unpleasant. In addition to this, draw water from the water dispenser for several minutes. If the unpleasant taste or smell persists exchange the filter cartridge.

Exchanging the filter cartridge



- ❑ Insert new filter cartridge.
- ❑ Draw a gallon of water from the water dispenser. Doing this removes air from the water system.
- ❑ Pour water out of the used filter cartridge. The filter cartridge can be disposed of in the household rubbish.

Specification and performance data sheet

For filter model 9000 225 170

Using replacement cartridge 9000 077 104

The model was tested by NSF International with reference to ANSI/NSF Standards 42 & 53 and certified for a reduction in the substances cited below.

The concentration of the indicated substances which are dissolved in water and penetrate the system was reduced to a value below or equal to the permitted limit value in accordance with NSF/ANSI 42 and 53 for water discharged out of the appliance.

Note:

Even though the tests were conducted under standard laboratory conditions, the actual performance may deviate from these tests.



The system was tested and certified on model 9000 225 170 by NSF International with reference to ANSI/NSF Standard 53 for a reduction in cysts and turbidity, as well as with reference to ANSI/NSF Standard 42 for a reduction in the taste and odour of chlorine.

Nominal particle class: I

Nominal service life: 739.68 gallons (2800 liters)

Substance	Average in inflow	Inflow concentration	Waste water concentration	Average reduction in %	Max. permitted concentration in waste water	Max. waste water	Min. reduction in %	NSF test
Cysts*	166,500	Min. 50,000/l	1	99.99	99.95	1	99.99	511077-03
Turbidity	10.7	11 x 1 NTU	0.3 l	97.10	0.5 NTU	0.49	95.42	511078-03

Particles Class I particle size > 0,5 to < 1µm	5,700,000	At least 10,000 particles/ml	30.583	99.52	>85 %	69,000	98.9	511079-03
Chlorine taste & odour	1.9	2.0 mg/l ±10%	0.05	97.3	>50 %	0.06	96.84	511081-03

* Based on the use of Cryptosporium parvum oocysts.

Application guidelines / Water supply parameters

Water pressure:
30–120 psi (207 – 827 kPa)

Water temperature*:
33 °F–100 °F (0.6 °C – 38 °C)

Flow rate:
0.75 gpm (2.83 lpm)

- The system is to be installed and operated according to the guidelines recommended by the manufacturer.
- The filter is to be changed every 6–9 months.
- Rinse new filter thoroughly for 5 minutes.
- More detailed information can be found on the warranty card.

This product should NOT be used if the water is microbiologically harmful or is of an unknown quality without appropriate disinfection before or after connection to the system. A system certified for a reduction in cysts may be used for disinfected water which possibly contains filterable cysts.

A one-year warranty is issued for the entire system (except disposable cartridge). With reference to disposable cartridges a warranty is issued for material and processing faults only. As the service life of disposable filter cartridges depends on the local water conditions, no warranty is issued for them.

More detailed information on the prices of spare parts is available from your appliance dealer or parts salesman on site.

Manufactured by:
3M Material Technology (Guangzhou) Ltd.
9 Nanxiang Er road, Science City,
Guangzhou, 510663, P. R. China

Tips for saving energy

- Install the appliance in a cool, well ventilated room, but not in direct sunlight and not near a heat source (radiator, cooker, etc.). If required, use an insulating plate.
- Allow warm food and drinks to cool down before placing in the appliance!
- When thawing frozen food, place it in the refrigerator compartment. The low temperature of the frozen products cools the food in the refrigerator.
- Open and close the door as briefly as possible.

Operating noises

Normal noises

Humming – refrigerating unit is running. The fan in the circulating air system is running.

Bubbling, gurgling or whirring noises – refrigerant is flowing through the tubing. Water flowing into the ice maker.

Clicking – motor is switching on or off. Solenoid valve on the water connection is opening or closing.

Rumbling – ready ice cubes from the ice maker are falling into the ice cube container.

Preventing the noises

The appliance is not level

Please align the appliance with a spirit level. Use the height-adjustable feet or place something under the feet.

The appliance is touching adjacent units or appliances

Please move the appliance away from adjacent units or appliances.

Drawers, baskets or storage areas are loose or sticking

Please check the removable parts and, if required, reinsert them.

Receptacles are touching each other

Please move bottles or receptacles away from each other.

Defrosting

Freezer compartment

The fully automatic Nofrost system ensures that the freezer compartment remains free of ice. Defrosting is no longer required.

Refrigerator compartment

Defrosting is actuated automatically. The condensation runs through the drainage hole into an evaporation pan on the rear of the appliance.

Switching off and disconnecting the appliance

Switching off the appliance

- Switch off the appliance.
- Pull out the mains plug.

Disconnecting the appliance

If the appliance is not used for a prolonged period:

- Before switching off, it is most important that you switch the water supply to the appliance off for a few hours.
- Take all food out of the appliance.
- Switch off the appliance.
- Pull out the mains plug.

- Clean the appliance interior (see “Cleaning”).

To prevent odours, leave the doors open.

Cleaning

WARNING



Risk of electric shock!

To avoid electrical shock which can cause death or severe personal injury, disconnect power to appliance before cleaning. After cleaning, reconnect power.

WARNING

To avoid personal injuries or property damage, observe the following:

- Do not clean the appliance with a steam cleaner.
- Do not let the water used for cleaning drip onto the tight or control panel.

CAUTION

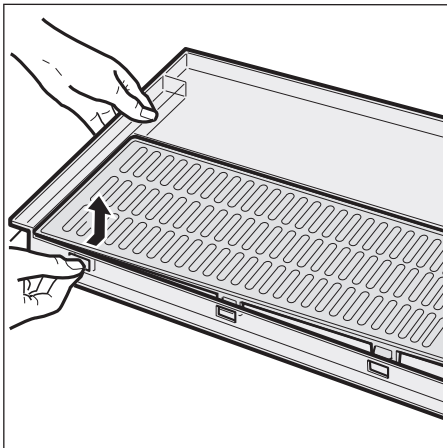
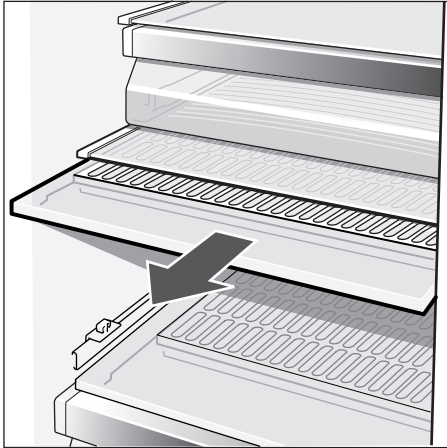
- Do not use abrasive or acidic cleaning agents or solvents which may damage the surfaces of the appliance.
- Never clean shelves and containers in the dishwasher. The parts may warp.

Cleaning the appliance

- Before cleaning: Switch off the appliance and pull out the mains plug.
- Take the refrigerated food out of the appliance and store in a cool location.
- Clean the appliance with lukewarm water and a little washing-up liquid.
- Wipe the door seal with clear water only and then wipe dry thoroughly.

- ❑ Clean the surface of the appliance with a soft damp cloth and a little washing-up liquid. Afterwards, rub dry.
- ❑ After cleaning: reconnect and switch on the appliance

Cleaning the humidity filter



Cleaning the water collecting tray

Spilled water collects in the water collecting tray.

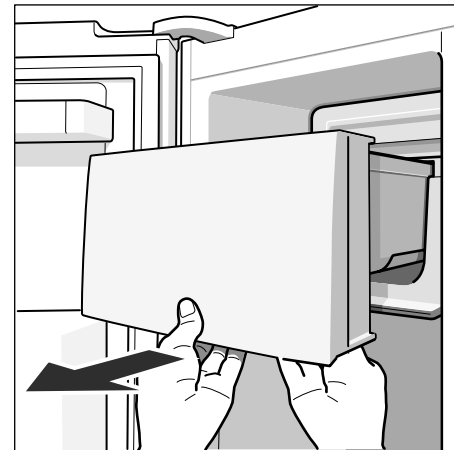
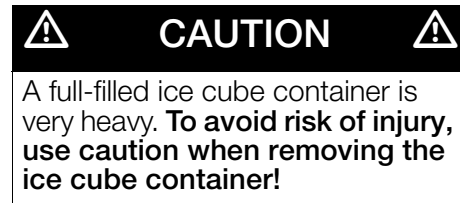
To empty and clean, remove the filter. Wipe out water collecting tray with a sponge or absorbent cloth.



Cleaning the ice cube container

If ice cubes have not been dispensed for a prolonged period, they will shrink, have a stale taste and stick together.

- ❑ Pull out the container, empty and clean with lukewarm water.



- ❑ Thoroughly dry the container and screw conveyor to prevent new ice cubes from sticking.

Inserting the ice cube container:

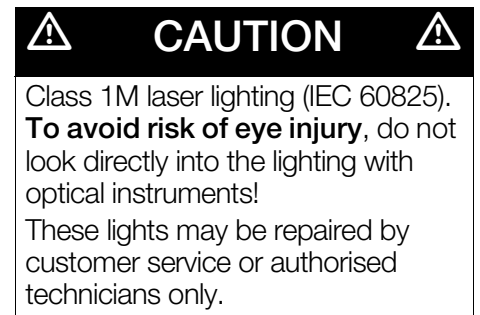
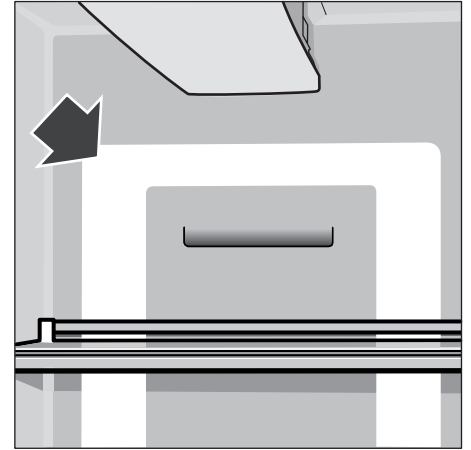
- ❑ Push the ice cube container all the way back onto the supports until it locks into position.
- ❑ If the container cannot be pushed all the way back, twist the screw conveyor in the container. Ice cube production continues.

Light

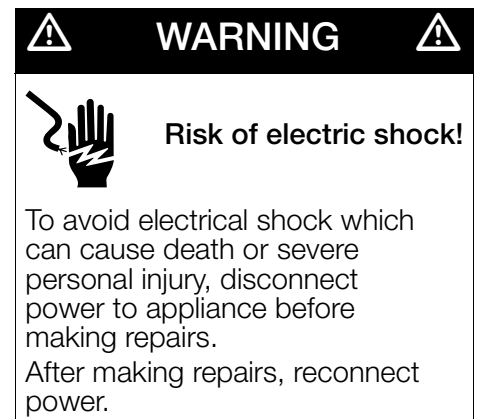
(depending on model)

LED light

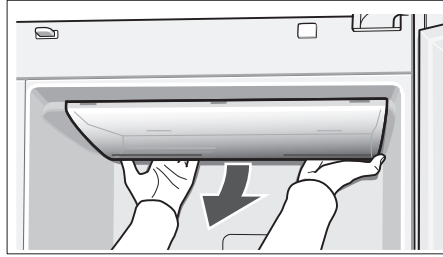
Your appliance features a maintenance-free LED light.



Changing the bulbs in the refrigerator and freezer compartments



- ❑ Switch off the appliance with the power button! Pull out the mains plug or switch off the fuse.



- ❑ Remove cover.

- ❑ Change the bulb.
Replacement bulb max. 25 W, E14 bulb holder.
- ❑ Re-attach the cover.

Eliminating minor faults yourself

Before you call customer service:

- Please check whether you can eliminate the fault yourself based on the following information.

- Run an appliance self-test (see “Appliance self-test”).

Customer service will charge you for advice, even if the appliance is still under guarantee.

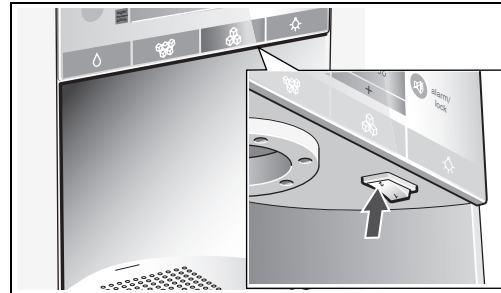
Fault	Possible cause	Remedial action
Temperature differs greatly from the set value.		In some cases it is adequate to switch off the appliance for 5 minutes. If the temperature is too high , wait a few hours and check whether the temperature has approached the set value. If the temperature is too low , check the temperature again the next day.
No display on the display panel.	The mains plug of the appliance is not in the socket properly. The fuse for the domestic supply is switched off.	Check whether the power is on, the fuse must be switched on.
“E..” is indicated on the display panel.	Electronics module is defective.	Call Customer service.
Warning signal sounds and the temperature display on the freezer compartment flashes.	The freezer compartment is too warm! Frozen food is at risk! – The ventilation openings have been covered. – Freezer compartment door is open. – Too much food was placed in the freezer compartment at once.	Press the “alarm/lock” button to switch off the warning signal and the flashing display. The warmest temperature reached in the freezer compartment is indicated on the temperature display of the freezer section for ten seconds. i Frozen food which has started thawing or which has thawed can be refrozen if meat and fish were above 37 °F (+3 °C) for not more than one day or other frozen food was above 37 °F (+3 °C) for not more than three days.
The interior light is not functioning.	The light switch for the freezer or refrigerator compartment is sticking. The light is defective.	Check whether the light switch can move. See “Light” section.
The appliance becomes slightly louder for a brief period.	Not a fault! Your appliance is designed to save energy. Under certain conditions (e.g. activation of the Super function) the appliance must work harder for a brief period and therefore becomes slightly louder.	

Fault	Possible cause	Remedial action
Appliance has no cooling capacity. The interior light does not function.	Power failure; the fuse has actuated; the mains plug is not in properly.	Check that the power is on. The fuse must be switched on. Check that the mains plug is plugged in.
The refrigerating unit switches on more and more frequently and for longer.	Appliance door opened frequently.	Do not open the door unnecessarily.
	Large quantities of fresh food placed in the appliance.	Switch on Super function.
	The ventilation openings have been covered.	Remove obstacles and dirt.
The temperature in the refrigerator or freezer compartment is too cold.	Temperature has been set too low.	Select a warmer temperature (see "Selecting the temperature").
The frozen food is stuck solid.		Loosen frozen food with a blunt implement. Do not use a knife or pointed implement!

Ice and water dispenser

Fault	Possible cause	Remedial action
Ice cubes are not being dispensed despite prolonged operating time.	Tap turned off.	Turn tap on.
	Water supply is interrupted. Water pressure too low.	Inform fitter.
	Ice maker is disconnected.	Switch on ice maker again (see "Disconnecting the ice maker").
	Ice and water dispenser is switched off. "IWD off" is lit on the display panel.	Switch on ice and water dispenser again (see "Switching off ice and water dispenser").
	Freezer compartment too warm.	Lower temperature in the freezer compartment (see "Selecting the temperature").
Ice cubes are in the ice cube container, but are not being discharged.	Ice cubes are frozen together.	Take out ice cube container and empty.
Ice cubes have become wedged in the outlet of the ice cube container or in the ice crusher.		Take out ice cube container and rotate feed screw by hand. Loosen any wedged chunks of ice with a wooden stick.
Ice cubes are watery.	Ice cubes have thawed – power failure or the freezer compartment door was not closed properly.	Take out ice cube container, empty and wipe dry.
Water dispenser is not functioning.	Tap turned off.	Turn tap on.
	Water supply is interrupted. Water pressure too low.	Inform fitter.
Ice maker is not making enough ice or the ice is deformed.	Appliance or ice maker was only switched on recently.	It take approx. 24 hours for ice production to start.
	A large amount of ice was removed.	It take approx. 24 hours for the ice cube container to fill up again.

Fault	Possible cause:	Remedial action
Ice maker is not making enough ice or the ice is deformed.	Low water pressure.	Connect appliance to stipulated water pressure only (see section "Installation / Water connection").
	The water filter is bunged up or used.	Change water filter cartridge (see chapter "Water filter").
Condensation forms on the discharge unit of the dispenser.	The environment is too humid.	Switch on the condensation heating. To switch on the condensation heating: press the switch to "2".



To switch off the condensation heating: press the switch to "1".

Appliance self-test

Your appliance features an automatic self-test program which shows you sources of faults which may be repaired by customer service only.

Starting the appliance self-test

- Switch off the appliance and wait 5 minutes.
- Switch on the appliance again.
- Simultaneously press the "+" and "-" buttons for 5 seconds.

The self-test starts.

If "E.." is indicated on the display panel, an error has occurred.

If a fault is indicated, inform customer service.

Ending the appliance self-test

- Press the "+" and "-" buttons again for 5 seconds.

Service

If you need service, first see the section "Eliminating minor faults yourself" of this book. After checking this section, additional help can be found by calling the Bosch Customer Interaction Center, **1-800-944-2904** (toll-free), from anywhere in the U.S.A.

In Canada, contact your designated Bosch Canada service company or call **1-800-944-2904**.

Write down the following information about your refrigerator to better help you obtain assistance or service if you ever need it.

Dealer name:

Address:

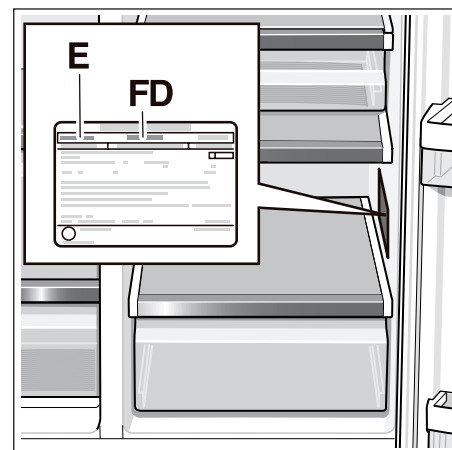
Phone number:

Purchase date:

Model number (E):

Serial number (FD):

You will need to know your complete model number (E) and serial number (FD).



You can find this information on the rating plate located on the inside wall of the refrigerator compartment.

STATEMENT OF LIMITED PRODUCT WARRANTY

Bosch Fridge-freezer

What this Warranty Covers & Who it Applies to:

The limited warranty provided BSH Home Appliances in this Statement of Limited Product Warranty applies only to the Bosch Fridge-freezer ("Product") sold to you, the first using purchaser, provided that the Product was purchased: (1) for your normal, household (non-commercial) use, and has in fact at all times only been used for normal household purposes; (2) new at retail (not a display, "as is", or previously returned model), and not for resale, or commercial use; and (3) within the United States or Canada, and has at all times remained within the country of original purchase. The warranties stated herein apply only to the first purchaser of the Product and are not transferable.

- Please make sure to return your registration card; while not necessary to effectuate warranty coverage, it is the best way for Bosch to notify you in the unlikely event of a safety notice or product recall.

How Long the Warranty Lasts: Bosch warrants that the Product is free from defects in materials and workmanship for a period of three hundred sixty-five days (365) days from the date of purchase. The foregoing timeline begins to run upon the date of purchase, and shall not be stalled, tolled, extended, or suspended, for any reason whatsoever.

Repair/Replace as Your Exclusive Remedy:

During this warranty period, Bosch or one of its authorized service providers will repair your Product without charge to you (subject to certain limitations stated herein) if your Product proves to have been manufactured with a defect in materials or workmanship. If a reasonable number of attempts to repair the Product have been made without success, then Bosch will replace your Product (upgraded models may be available to you, in Bosch's sole discretion, for an additional charge). All removed parts and components shall become the property of Bosch at its sole option. All replaced and/or repaired parts shall assume the identity of the original part for purposes of this warranty and this warranty shall not be extended with respect to such parts.

Bosch's sole liability and responsibility hereunder is to repair manufacturer-defective Product only, using a Bosch-authorized service provider during normal business hours. For safety and property damage concerns, Bosch highly recommends that you do not attempt to repair the Product yourself, or use an unauthorized servicer; Bosch will have no responsibility or liability for repairs or work performed by a non-authorized servicer. If you choose to have someone other than an authorized service provider work on your Product, THIS WARRANTY WILL AUTOMATICALLY BECOME NULL AND VOID.

Authorized service providers are those persons or companies that have been specially trained on Bosch products, and who possess, in Bosch's opinion, a superior reputation for customer service and technical ability (note that they are independent entities and are not agents, partners, affiliates or representatives of

Bosch). Notwithstanding the foregoing, Bosch will not incur any liability, or have responsibility, for the Product if it is located in a remote area (more than 100 miles from an authorized service provider) or is reasonably inaccessible, hazardous, threatening, or treacherous locale, surroundings, or environment; in any such event, if you request, Bosch would still pay for labor and parts and ship the parts to the nearest authorized service provider, but you would still be fully liable and responsible for any travel time or other special charges by the service company, assuming they agree to make the service call.

Extended Limited Warranty: Bosch also provides these additional limited warranties:

- **2 Year Limited Warranty:** Bosch will repair or replace any component that proves to be defective in materials or workmanship (excludes labor charges).
- **5 Year Limited Warranty on Electronics:** Bosch will repair or replace any Bosch microprocessor or printed circuit board if it proves to be defective in materials or workmanship (excludes labor charges).
- **Lifetime Warranty against Stainless Steel Rust Through:** Bosch will repair or replace any component that proves to be defective in materials or workmanship (excludes labor charges).

Out of Warranty Product: Bosch is under no obligation, at law or otherwise, to provide you with any concessions, including repairs, pro-rates, or Product replacement, once this warranty has expired.

Warranty Exclusions: The warranty coverage described herein excludes all defects or damage that are not the direct fault of Bosch, including without limitation, one or more of the following: (1) use of the Product in anything other than its normal, customary and intended manner (including without limitation, any form of commercial use, use or storage of an indoor product outdoors, use of the Product in conjunction with air or water-going vessels); (2) any party's willful misconduct, negligence, misuse, abuse, accidents, neglect, improper operation, failure to maintain, improper or negligent installation, tampering, failure to follow operating instructions, mishandling, unauthorized service (including self-performed "fixing" or exploration of the appliance's internal workings); (3) adjustment, alteration or modification of any kind; (4) a failure to comply with any applicable state, local, city, or county electrical, plumbing and/or building codes, regulations, or laws, including failure to install the product in strict conformity with local fire and building codes and regulations; (5) ordinary wear and tear, spills of food, liquid, grease accumulations, or other substances that accumulate on, in, or around the Product; and (6) any external, elemental and/or environmental forces and factors, including without limitation, rain, wind, sand, floods, fires, mud slides, freezing temperatures, excessive moisture or extended exposure to humidity, lightning, power surges, structural failures surrounding the appliance, and acts of God. In no event shall Bosch have any liability or

responsibility whatsoever for damage to surrounding property, including cabinetry, floors, ceilings, and other structures or objects around the Product. Also excluded from this warranty are scratches, nicks, minor dents, and cosmetic damages on external surfaces and exposed parts; Products on which the serial numbers have been altered, defaced, or removed; service visits to teach you how to use the Product, or visits where there is nothing wrong with the Product; correction of installation problems (you are solely responsible for any structure and setting for the Product, including all electrical, plumbing or other connecting facilities, for proper foundation/flooring, and for any alterations including without limitation cabinetry, walls, floors, shelving, etc.); and resetting of breakers or fuses.

TO THE EXTENT ALLOWED BY LAW, THIS WARRANTY SETS OUT YOUR EXCLUSIVE REMEDIES WITH RESPECT TO PRODUCT, WHETHER THE CLAIM ARISES IN CONTRACT OR TORT (INCLUDING STRICT LIABILITY, OR NEGLIGENCE) OR OTHERWISE. THIS WARRANTY IS IN LIEU OF ALL OTHER WARRANTIES, WHETHER EXPRESS OR IMPLIED. ANY WARRANTY IMPLIED BY LAW, WHETHER FOR MERCHANTABILITY OR FITNESS FOR A PARTICULAR PURPOSE, OR OTHERWISE, SHALL BE EFFECTIVE ONLY FOR THE PERIOD THAT THIS EXPRESS LIMITED WARRANTY IS EFFECTIVE. IN NO EVENT WILL THE MANUFACTURER BE LIABLE FOR CONSEQUENTIAL, SPECIAL, INCIDENTAL, INDIRECT, "BUSINESS LOSS", AND/OR PUNITIVE DAMAGES, LOSSES, OR EXPENSES, INCLUDING WITHOUT LIMITATION TIME AWAY FROM WORK, HOTELS AND/OR RESTAURANT MEALS, REMODELLING EXPENSES IN EXCESS OF DIRECT DAMAGES WHICH ARE DEFINITELY CAUSED EXCLUSIVELY BY BOSCH, OR OTHERWISE. SOME STATES DO NOT ALLOW THE EXCLUSION OR LIMITATION OF INCIDENTAL OR CONSEQUENTIAL DAMAGES, AND SOME STATES DO NOT ALLOW LIMITATIONS ON HOW LONG IMPLIED WARRANTY LASTS, SO THE ABOVE LIMITATIONS MAY NOT APPLY TO YOU. THIS WARRANTY GIVES YOU SPECIFIC LEGAL RIGHTS, AND YOU MAY ALSO HAVE OTHER RIGHTS, WHICH VARY FROM STATE TO STATE. No attempt to alter, modify or amend this warranty shall be effective unless authorized in writing by an officer of BSH.

How to Obtain Warranty Service: To obtain warranty service for your Product, you should contact the nearest Bosch authorized service center.

BSH Home Appliances
5551 McFadden Avenue, Huntington Beach, CA 92649 / 800-944-2904

Table de matières

INSTRUCTIONS DE SÉCURITÉ IMPORTANTES	28
AVERTISSEMENT	28
Branchement électrique	28
Instructions de raccordement à la terre	28
RISQUE D'ENFERMEMENT POUR LES ENFANTS	28
PENDANT UTILISATION	28
SÉCURITÉ TECHNIQUE	29
IMPORTANT	29
MISE AU REBUT DES CFC	29
Definitions	29
Dispositions générales	29
Félicitations	29
Consignes d'installation	30
Lieu d'installation	30
Surface porteuse	30
Contrôler la température ambiante et l'aération	30
Branchement électrique	31
Branchement de l'eau	31
Installation et raccordement de l'appareil	31
Ajuster l'appareil	31
Dimensions de l'appareil et cotes d'encombrement	32
Angle d'ouverture	32
Démontez les portes de l'appareil et les poignées	33
Présentation de l'appareil	34
Bandeau de commande et d'affichage	35
Enclenchement de l'appareil	36
Réglage de la température	36
Compartiment réfrigérant	36
Compartiment congélateur	36
Alarme sonore	36
Alarme sonore de porte	36
Alarme sonore pour température excessive	36
Superréfrigération	37
Supercongélation	37
Régler l'unité de température	37
Compartiment réfrigérant	37
Utilisation du compartiment réfrigérateur	37
Consignes de rangement à respecter	37
Compartiment à légumes avec filtre à humidité	38
Contenance utile	38
Agencement variable du compartiment intérieur	38
Clayettes	38
Support en contre-porte	38
Compartiment congélateur	38
Calendrier de congélation	39
Congeler les aliments	39
Capacité de congélation	39
Durée de conservation des produits surgelés	39

Acheter et stocker des produits surgelés	39
Décongélation des produits	40
Distribution de glaçons et d'eau	40
Consignes pour la mise en service	40
Remarques concernant le fonctionnement du distributeur de glaçons	40
Surveiller la qualité de l'eau potable	40
Prélever des glaçons / de l'eau	40
Désactiver le distribu-teur de glaçons	41
Désactiver la distribu-tion de glaçons et d'eau	41
Filtre à eau	41
Consignes importantes concernant le filtre à eau	41
Changement de cartouche filtrante	41
Fiche de spécifications et de performances	42
Economies d'énergie	43
Bruits de fonctionnement	43
Bruits parfaitement normaux	43
Éviter la génération de bruits	43
Si vous dégivrez l'appareil	43
Compartment congélateur	43
Compartment réfrigérateur	43
Arrêt et remisage de l'appareil	43
Coupure de l'appareil	43
Remisage de l'appareil	43
Nettoyage	44
Nettoyage de l'appareil	44
Nettoyer le filtre à humidité	44
Nettoyer le bac récupérateur d'eau	44
Nettoyer le bac à glaçons	44
Éclairage	45
Éclairage (LED)	45
Changement des ampoules dans les compartiments réfrigérateur et congélateur	45
Dérangements et remèdes	45
Distributeur de glaçons et d'eau	46
Autodiagnostic de l'appareil	48
Lancer l'autodiagnostic de l'appareil	48
Terminer l'auto-diagnostic de l'appareil	48
Service après-vente	48
CONDITIONS DE LA GARANTIE PRODUIT LIMITÉE	48

⚠ INSTRUCTIONS DE SÉCURITÉ IMPORTANTES

VEUILLEZ LIRE ET CONSERVER CES INSTRUCTIONS!

AVERTISSEMENT

Lorsque vous utilisez cet appareil, veuillez toujours prendre des précautions de base, y compris les suivantes :

1. N'utilisez cet appareil que dans le but prévu tel que décrit dans le présent manuel de l'utilisateur.
2. Avant utilisation, ce congélateur devra être correctement installé en conformité avec les instructions d'installation.
3. Ne permettez jamais aux enfants de se servir des clayettes comme marchepieds, de s'y tenir debout dessus ou de s'y suspendre. Ils risqueraient d'endommager le congélateur et de se blesser gravement.
4. A partir du moment où votre congélateur fonctionne, ne touchez plus les surfaces froides à l'intérieur du compartiment, ceci surtout si vos mains sont humides ou mouillées. La peau risquerait de rester collée sur ces surfaces extrêmement froides.
5. Ne stockez ni n'utilisez pas d'essence ou d'autres liquides et vapeurs inflammables à proximité de cet appareil et de tout autre.
6. Dans les congélateurs équipés d'un distributeur automatique de glaçons, évitez de toucher les pièces mobiles du mécanisme éjecteur, ou l'élément chauffant situé au fond du distributeur de glaçons. Ne placez pas les doigts ou les mains sur le mécanisme de confection automatique de glace tant que la fiche mâle du congélateur est reliée à une prise de courant.
7. Débranchez votre congélateur avant de nettoyer l'appareil ou de faire des réparations.
REMARQUE: nous recommandons vivement que toute opération de service après-vente soit réalisée par un technicien qualifié.

8. Avant de remplacer une ampoule grillée, débranchez la fiche mâle de la prise secteur ou coupez le fusible / disjoncteur pour mettre l'éclairage hors tension et supprimer ainsi le risque de toucher un fil sous tension.
9. Une ampoule grillée peut se briser pendant que vous la remplacez.
REMARQUE: le fait de ramener le thermostat du congélateur sur OFF ne met pas le circuit d'éclairage hors tension.
10. Ne recongelez pas les produits alimentaires que vous avez fait entièrement dégeler.

Branchement électrique

L'appareil est livré avec un cordon d'alimentation électrique à trois fils et figurant dans la liste UL aux USA.

Cet appareil requiert d'être raccordé à une prise femelle à trois fils.

L'installation de cette prise est une opération exclusivement réservée à un électricien agréé.

Instructions de raccordement à la terre

Cet appareil devra être relié à la terre. En cas de dysfonctionnement ou de panne, le raccordement réduit le risque de choc électrique en fournissant au courant un chemin de moindre résistance électrique.

Un branchement incorrect du fil de raccordement à la terre peut occasionner un choc électrique.

Si vous n'êtes pas sûr que l'appareil est correctement relié à la terre, faites-le vérifier par un électricien agréé ou un technicien du service après-vente.

Certaines réglementations locales peuvent exiger un raccordement à part à la terre. En pareils cas, vous devrez acheter séparément les accessoires requis: le fil de terre, la bride et la vis.

Ne raccordez jamais l'appareil à des conduites en plastique, conduites de gaz ou conduites d'eau.

RISQUE D'ENFERME- MENT POUR LES ENFANTS

Les enfants risquent de s'enfermer et de s'asphyxier dans l'appareil. Il ne s'agit pas de problèmes du passé. Les appareils de réfrigération mis au rebut ou abandonnés demeurent dangereux-même s'ils ne sont là «que pour quelques jours». Si vous êtes en train de vous débarrasser de votre ancien appareil, veuillez suivre les présentes instructions et vous contribuerez ainsi à prévenir des accidents.

Avant de mettre votre ancien réfrigérateur au rebut :

- Enlevez ses portes.
- Laissez les clayettes à l'intérieur pour empêcher que les enfants puissent pénétrer facilement dedans.

PENDANT UTILISATION

N'utilisez pas d'appareils électriques à l'intérieur de l'appareil (par ex. appareils de chauffage, etc.).

Risque d'explosion !

Ne dégivrez ni et ne nettoyez jamais l'appareil avec un nettoyeur à vapeur ! La vapeur risque d'atteindre des pièces électriques et de provoquer un court-circuit.

Risques d'électrocution !

Ne stockez dans l'appareil ni produits contenant des gaz propulseurs inflammables (par ex. bombes aérosols) ni produits explosifs.

Risque d'explosion !

Ne vous servez pas des socles, clayettes et portes comme marchepieds ou pour vous appuyer. Pour nettoyer et changer les ampoules incandescentes, débranchez la fiche mâle de la prise de courant ou ramenez le disjoncteur en position éteinte.

Pour débrancher l'appareil, tirez sur la fiche mâle et non pas sur son cordon.

Stockez les boissons fortement alcoolisées en position verticale dans des récipients bien fermés.

L'huile et la graisse ne doivent pas entrer en contact avec les parties en matières plastiques et le joint de porte. Ces derniers pourraient sinon devenir poreux.

Ne recouvrez et n'obstruez jamais les orifices de ventilation de l'appareil.

Dans le compartiment congélateur, ne stockez pas de boissons, gazeuses en particulier, en bouteilles ou en boîtes car elles éclateraient. Les bouteilles et les boîtes risqueraient d'éclater !

Ne portez jamais des produits surgelés à la bouche immédiatement après les avoir sortis du compartiment congélateur.

Risque de gelures !

Évitez tout contact prolongé des mains avec les produits congelés, la glace ou les tubes de l'évaporateur, etc.

Risque d'engelures !

SÉCURITÉ TECHNIQUE

Le changement de cordon d'alimentation et d'autres réparations sont exclusivement réservées au service après-vente. Les installations et réparations inexpertes peuvent engendrer des risques considérables pour l'utilisateur.

Il ne faut utiliser que les pièces d'origine du fabricant. Le fabricant ne garantit que les pièces d'origine car elles seules remplissent les exigences de sécurité.

IMPORTANT

Veillez conserver ces instructions pour usage par l'inspecteur local. Veillez observer tous les règlements et ordonnances.

Les personnes souffrant de restrictions de leurs capacités physiques, sensorielles ou psychiques, ou ne détenant pas les connaissances voulues, ne pourront utiliser l'appareil que sous surveillance ou après avoir reçu des instructions détaillées.

MISE AU REBUT DES CFC

Votre ancien congélateur était peut-être équipé d'un système de refroidissement qui faisait appel à des CFC (chlorofluorocarbones). Les CFC sont soupçonnés d'endommager la couche stratosphérique d'ozone.

Lorsque vous vous débarrassez d'un ancien réfrigérateur, assurez-vous au préalable que le fluide réfrigérant à base de CFC en sera retiré ou qu'il sera éliminé, dans les deux cas par un technicien de service qualifié. Le rejet intentionnel de fluide réfrigérant à base de CFC dans l'atmosphère vous expose à des amendes et peines d'emprisonnement en vertu des dispositions prévues par la législation.

Definitions

⚠ AVERTISSEMENT ⚠

AVERTISSEMENT – Cette mention précède une instruction assortie d'un danger de mort ou de blessures graves si vous ne respectez pas son contenu.

⚠ ATTENTION ⚠

ATTENTION – Cette mention précède une instruction assortie d'un risque de blessures ou de dégâts considérables si vous ne respectez pas son contenu.

REMARQUE

REMARQUE – Cette mention précède une instruction assortie d'un risque de blessures légères ou de dégâts si vous ne respectez pas son contenu.

i Ce symbole sert à attirer votre attention sur un aspect particulier.

Dispositions générales

L'appareil convient pour

- réfrigérer des produits alimentaires.
- a congeler des produits alimentaires.
- préparer des glaçons,
- à la distribution d'eau potable.

Cet appareil est destiné à un usage domestique.

L'appareil a été antiparasité conformément à la directive UE 89/336/CEE.

Le circuit frigorifique a subi un contrôle d'étanchéité.

Félicitations

Avec l'achat de ce réfrigérateur congélateur, vous venez d'opter pour un appareil électroménager moderne et de haute qualité.

Ce réfrigérateur-congélateur se distingue par une consommation économique d'électricité.

Chaque appareil subit, avant de quitter notre usine, des contrôles fonctionnels destinés à vérifier qu'il se trouve dans un état impeccable.

Si vous souhaitez demander des précisions, notamment en ce qui concerne l'installation et le raccordement de l'appareil, notre service après-vente se tient à votre disposition.

Pour obtenir des informations avancées et découvrir un choix de nos produits, rendez-vous à notre adresse d'internet.

Veillez lire attentivement et entièrement les informations figurant dans les notices d'utilisation et de montage.

Elle contiennent des remarques importantes concernant l'installation, l'utilisation et l'entretien de l'appareil. Conservez toute la documentation pour pouvoir la consulter à nouveau ultérieurement ou si l'appareil doit changer un jour de propriétaire.

Consignes d'installation

⚠ AVERTISSEMENT ⚠

L'appareil est très lourd !

En raison du poids et des dimensions de l'appareil, pour réduire au maximum le risque de blessures ou d'endommager l'appareil, il faudra au moins deux personnes pour installer l'appareil de manière sûre.

Le non-respect de ces instructions s'assortit d'un danger de mort ou d'incendie.

⚠ AVERTISSEMENT ⚠

N'installez pas cet appareil

- en plein air,
- dans un environnement très humide
- dans des pièces exposées au risque de gel.

Lieu d'installation

⚠ AVERTISSEMENT ⚠



Risque d'explosion!

Ne stockez ni n'utilisez pas d'essence ou d'autres liquides et vapeurs inflammables à proximité de cet appareil et de tout autre. Le non-respect de ces instructions s'assortit d'un danger de mort, d'explosion ou d'incendie.

Un local sec et aérable convient pour installer l'appareil. Évitez de placer l'appareil à un endroit directement exposé aux rayons solaires ou à proximité d'une source de chaleur telle une cuisinière, un radiateur, etc.

Si l'installation près d'une source de chaleur est inévitable, utilisez une plaque isolante appropriée ou respectez les distances minimales suivantes:

- 1 1/4" (3 cm) par rapport aux cuisinières électriques ou à gaz,
- 11 3/16" (30 cm) par rapport à un appareil de chauffage au fuel ou au charbon.

Il faut maintenir un écart latéral minimum de 1" (25 mm) pour éviter la condensation d'eau en cas d'installation à côté d'un autre réfrigérateur ou congélateur.

Si l'on monte un bandeau ou un placard au sommet de l'appareil, il faudra prévoir un interstice de 1 1/4" (30 mm) afin de pouvoir suivant besoin sortir l'appareil de la cavité.

L'air qui s'est échauffé au dos de l'appareil doit pouvoir s'échapper sans rencontrer d'obstacle.

Surface porteuse

L'appareil est très lourd – le poids à vide de la version à distributeur: 317 lbs / 143 kg.

Sur l'emplacement, le sol ne doit pas s'affaisser. Renforcez-le le cas échéant.

En cas d'installation dans un coin de pièce ou une cavité et afin de pouvoir ouvrir les portes jusqu'à la butée, il faut respecter des écarts latéraux minimums (voir le chapitre « Dimensions de l'appareil et cotes d'encombrement »).

Si la profondeur des équipements de cuisine voisins dépasse 22 3/8" (60 cm), il faudra respecter des écarts latéraux minimums pour pouvoir exploiter intégralement l'angle d'ouverture de porte (voir le chapitre « Angle d'ouverture »).

Contrôler la température ambiante et l'aération

Température ambiante

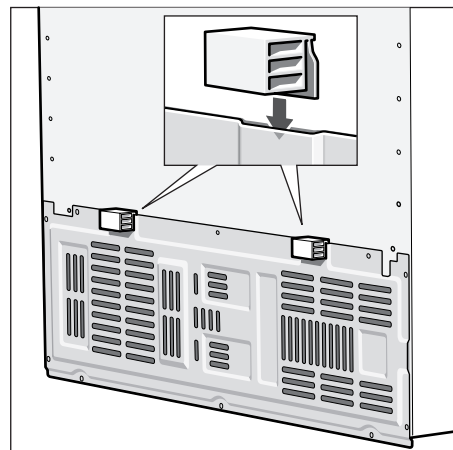
La catégorie climatique de l'appareil figure sur la plaque signalétique. Elle indique les températures ambiantes dans lesquelles l'appareil peut fonctionner.

Catégorie climatique	Température ambiante admissible
SN	+50 °F to 89.6 °F (+10 °C to 32 °C)
N	+60.8 °F to 89.6 °F (+16 °C to 32 °C)
ST	+60.8 °F to 100.4 °F (+16 °C to 38 °C)
T	+60.8 °F to 109.4 °F (+16 °C to 43 °C)

Aération

Ne recouvrez en aucun cas les orifices d'entrée et de sortie d'air situés contre la paroi arrière.

Sinon le groupe frigorifique se trouverait sollicité plus fortement, ce qui augmenterait la consommation de courant.



Montez les écarteurs ci-joints sur les fixations prévues au dos de l'appareil. Ceci permet de respecter l'écart minimum requis par rapport au mur.

Branchement électrique

⚠ AVERTISSEMENT ⚠

Risque de choc électrique !

- Branchez la fiche mâle à 3 broches de l'appareil dans une prise à 3 orifices femelles reliée à la terre.
- Ne retirez pas la broche de raccordement à la terre.
- N'utilisez pas d'adaptateur.
- N'utilisez pas de prolongateur.

Le non-respect de ces instructions s'assortit d'un danger de mort, d'incendie ou de choc électrique.

Un branchement incorrect du fil de raccordement à la terre peut occasionner un choc électrique.

Si vous n'êtes pas sûr que l'appareil est correctement relié à la terre, faites-le vérifier par un électricien agréé ou un technicien du service après-vente.

Une source d'alimentation de 115 volts, 60 Hz, type 15 ou 20 ampères CA seulement, protégée par fusible et adéquatement mise à la terre est nécessaire.

L'appareil est livré avec un cordon d'alimentation électrique à trois fils et figurant dans la liste UL aux USA.

Cet appareil requiert d'être raccordé à une prise femelle à trois fils.

L'installation de cette prise est une opération exclusivement réservée à un électricien agréé.

Branchement de l'eau

Le raccordement de l'eau est une opération exclusivement réservée à un installateur professionnel qui respectera ce faisant les prescriptions publiées par la compagnie distributrice d'eau dans votre localité.

Il faut un raccordement à l'eau froide pour que le distributeur automatique de glaçons puisse fonctionner.

La pression de l'eau doit être comprise entre 29 et 116 psi (2,0 et 8,0 bar).

L'installation doit se conformer aux règlements locaux en matière de plomberie ainsi qu'à la législation locale et celle de votre État.

Dans le cadre du raccordement de l'eau à l'appareil, il faut installer une vanne de fermeture séparée.

Cette vanne de fermeture ne doit pas se trouver derrière l'appareil. Il est recommandé de la placer directement à côté de l'appareil (unité de base) ou en tout autre endroit facile d'accès.

REMARQUE

Le diamètre maximal hors tout de la conduite d'eau (sans les raccords) est de $1\frac{3}{32}$ " (10 mm).

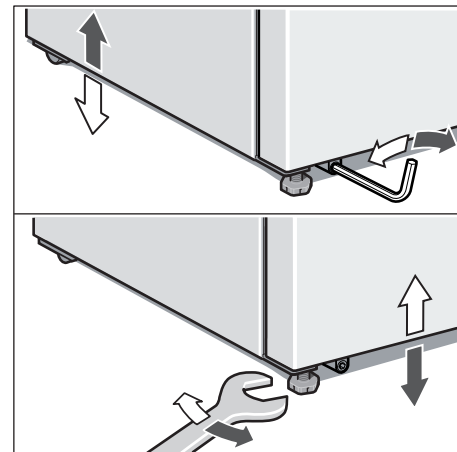
Installation et raccordement de l'appareil

- ❑ Faites installer et raccorder l'appareil par un spécialiste qui procédera selon la notice de montage ci-jointe.
- ❑ Après avoir installé l'appareil, attendez au moins 1 heure avant de le mettre en service. Il peut en effet arriver, pendant le transport, que l'huile présente dans le compresseur se déplace vers le circuit frigorifique.
- ❑ Avant la première mise en service, nettoyez le compartiment intérieur de l'appareil. (Voir le chapitre « Nettoyage »).
- ❑ Réalisez le raccordement de l'eau impérativement avant celui de l'électricité.
- ❑ Outre les prescriptions légales en vigueur dans chaque pays, il faudra respecter les conditions de branchement stipulées par les compagnies locales / nationales distributrices d'électricité et d'eau.
- ❑ N'enlevez les cales de transport retenant les clayettes et balconnets qu'après l'installation.

Ajuster l'appareil

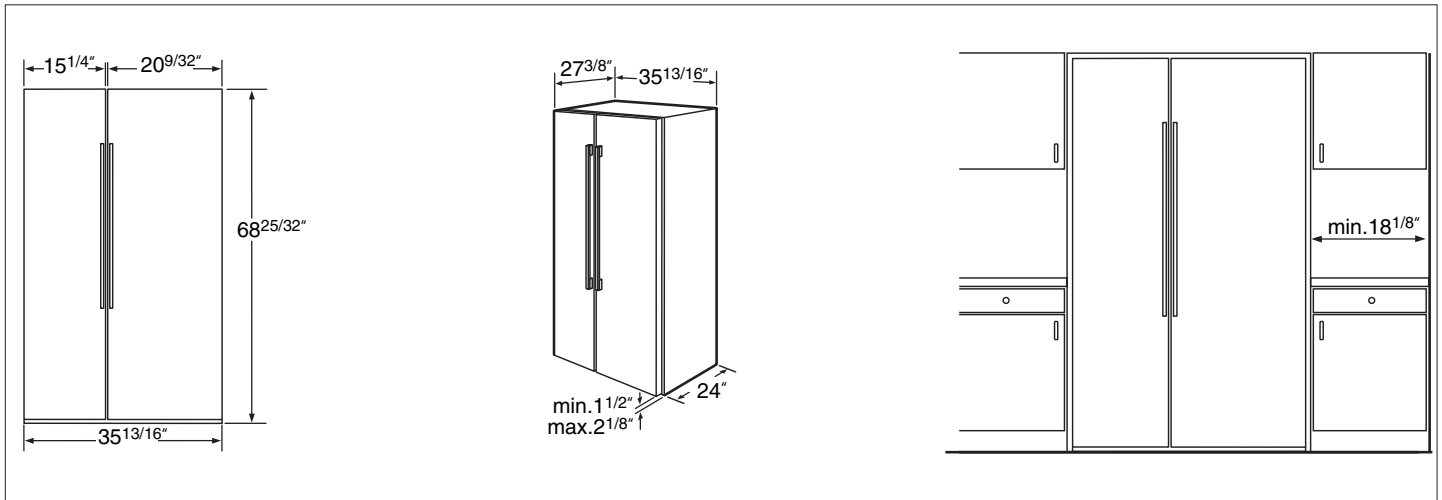
Afin que l'appareil fonctionne impeccablement, il faut l'horizontaliser à l'aide d'un niveau à bulle.

S'il n'est pas d'aplomb, l'eau risque de fuir du distributeur de glaçons, qui va produire des glaçons difformes, ou les portes risquent de ne pas bien fermer.

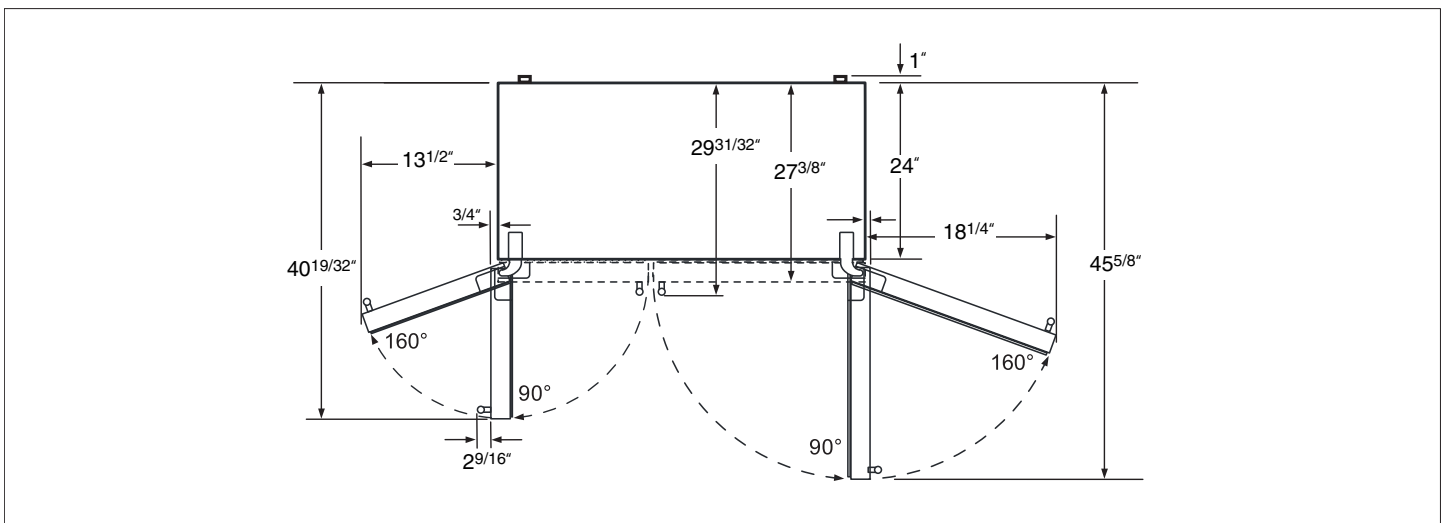


- ❑ Amenez l'appareil sur l'emplacement prévu.
- ❑ Ajustez la hauteur des pieds avant à l'aide d'une clé hexagonale.
- ❑ Ajustez la hauteur des pieds arrière à l'aide d'une clé hexagonale mâle.

Dimensions de l'appareil et cotes d'encombrement



Angle d'ouverture

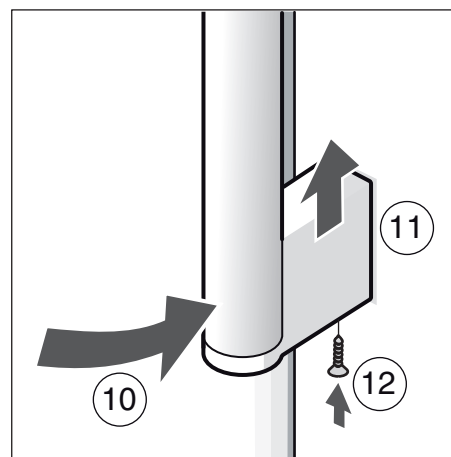
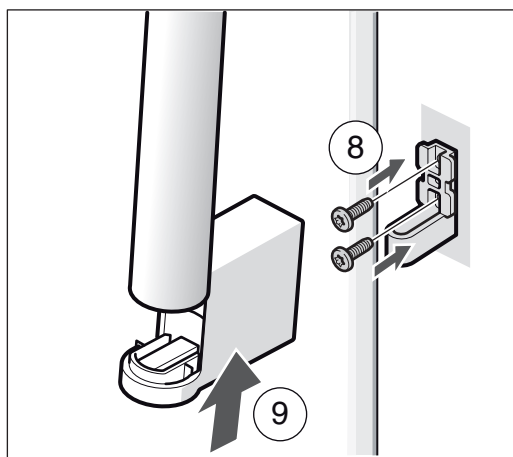
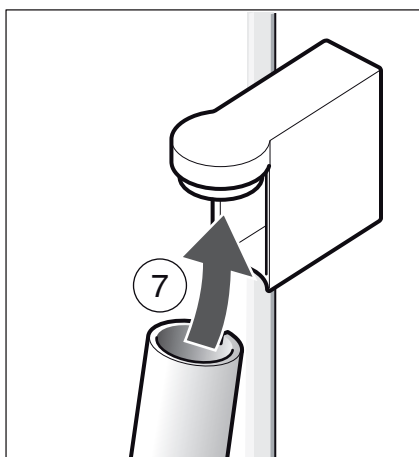
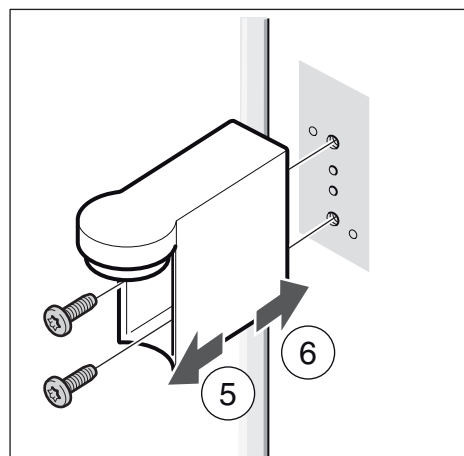
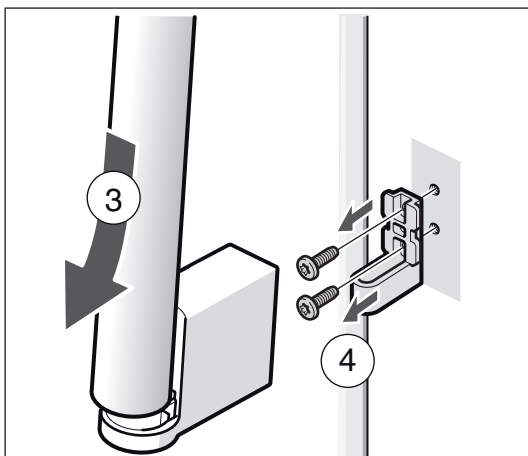
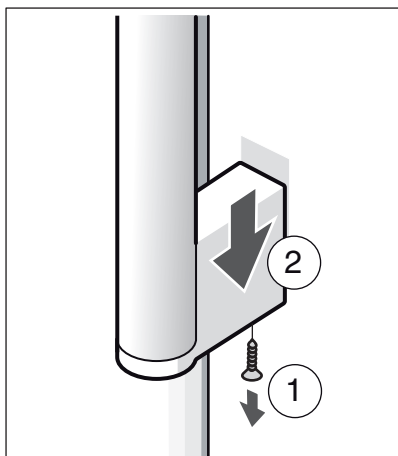


Démontez les portes de l'appareil et les poignées

Si l'appareil ne passe pas par la porte d'entrée de votre logement, il est possible de dévisser les portes ou les poignées de l'appareil.

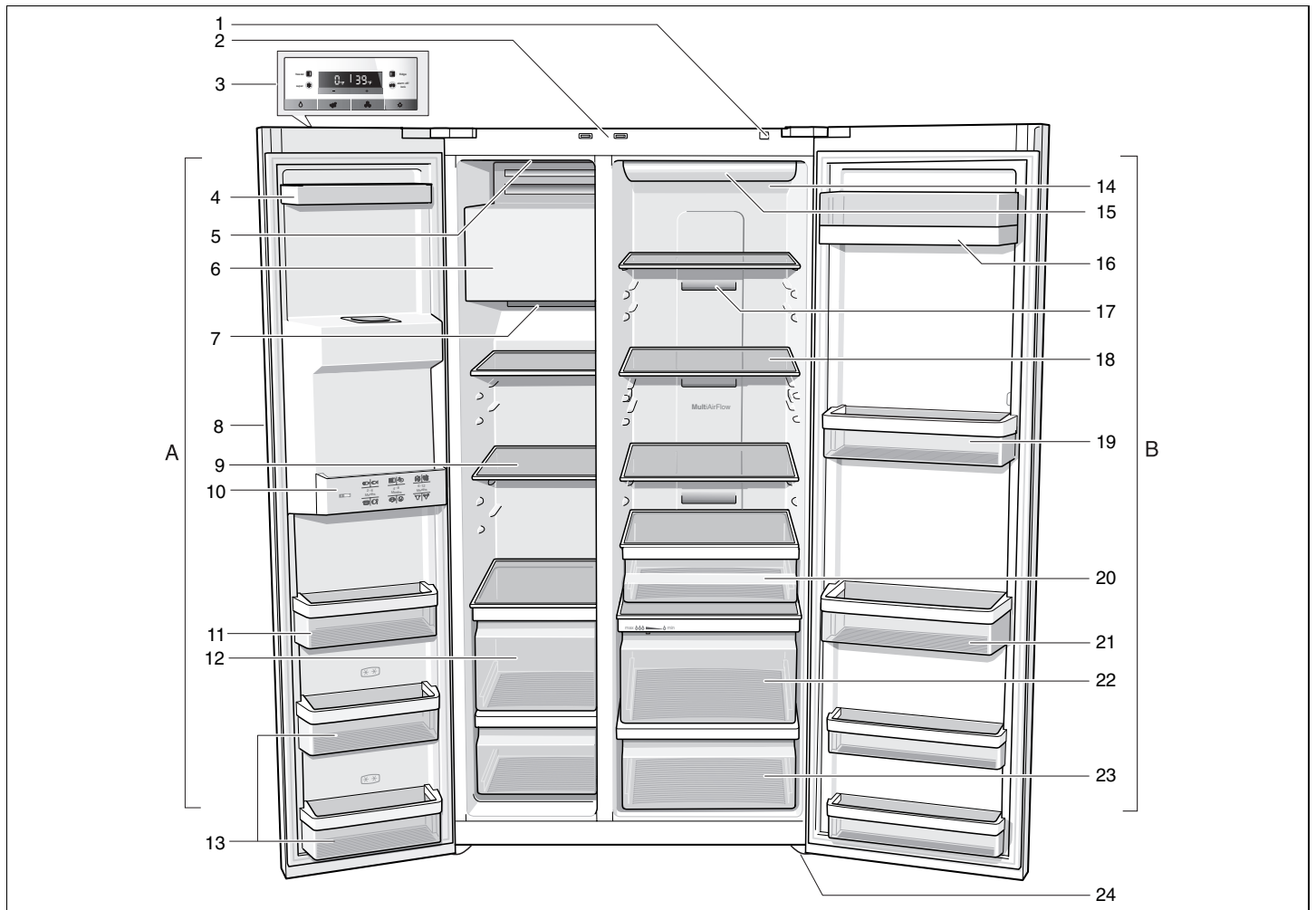
⚠ ATTENTION ⚠

S'il faut dévisser les portes de l'appareil, cette opération est exclusivement réservée au service après-vente.



Présentation de l'appareil

La présente notice d'utilisation vaut pour plusieurs modèles. Selon le modèle, l'appareil peut différer du contenu des illustrations.



A Compartiment congélateur

(réglable entre 7 °F (-14 °C) et -11 °F (-24 °C))

B Compartiment réfrigérateur

(réglable entre 36 °F (+2 °C) et 46 °F (+8 °C))

- 1 Touche Marche / Arrêt
- 2 Interrupteur d'éclairage, compartiment réfrigérateur et compartiment congélateur
- 3 Bandeau de commande et d'affichage
- 4 Support en contre-porte
- 5 Interrupteur Marche / Arrêt du distributeur de glaçons

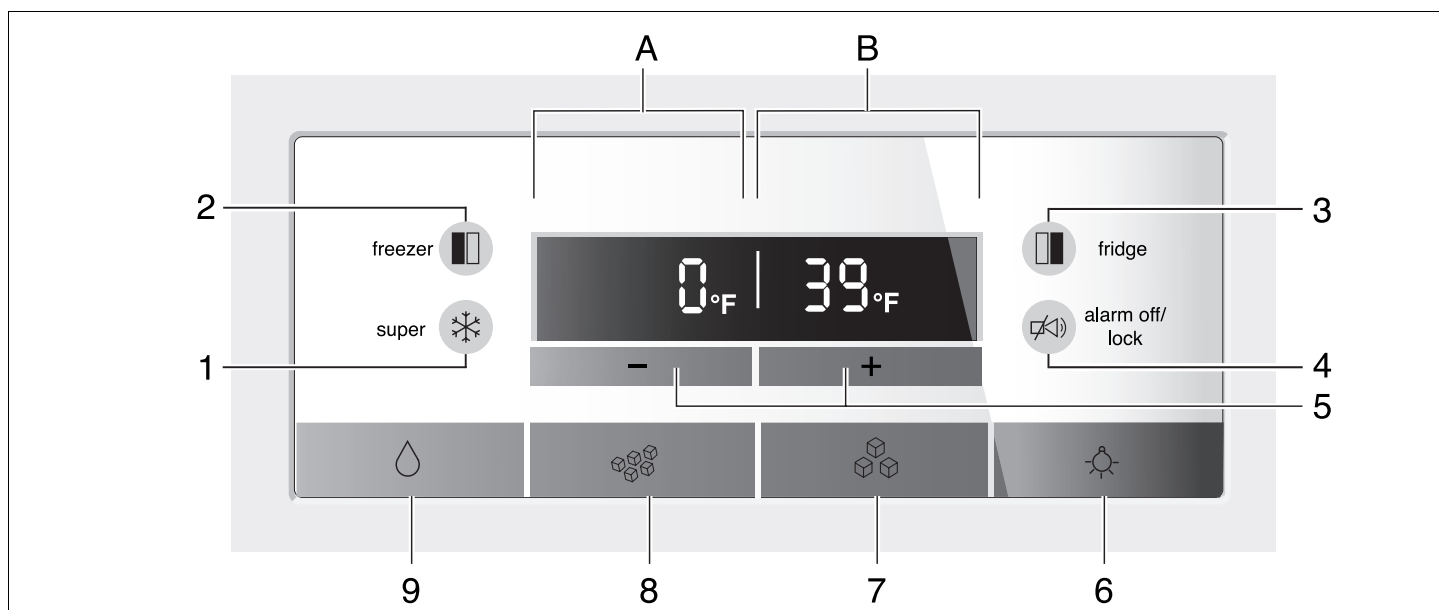
- 6 Distributeur de glaçons / Bac à glaçons
- 7 Orifice de sortie d'air
- 8 Distribution de glaçons et d'eau
- 9 Clayettes en verre du compartiment congélateur
- 10 Calendrier de congélation
- 11 Supports en contre-porte
- 12 Tiroir de congélation
- 13 Support en contre-porte (compartiment 2-étoiles) Pour ranger brièvement des produits et glaces alimentaires.
- 14 Filtre à particules / Filtre à eau
- 15 Éclairage du compartiment réfrigérateur

- 16 Casier à beurre et à fromage
- 17 Orifice de sortie d'air
- 18 Clayettes en verre du compartiment réfrigérateur
- 19 Supports en contre-porte
- 20 Tiroir à épicerie fine
- 21 Support en contre-porte, pour grandes bouteilles
- 22 Compartiment à légumes avec filtre à humidité
- 23 Compartiment à légumes
- 24 Pied à vis

* Selon le modèle

Bandeau de commande et d'affichage

Le bandeau de commande et d'affichage contre la porte comprend un champ tactile. Le fait d'effleurer une touche tactile déclenche la fonction correspondante.



1 Touche « super »

Pour activer les fonctions Supercongélation ou Superréfrigération (voir les chapitres « Supercongélation » et « Superréfrigération »).

2 Touche « freezer »

Pour pouvoir effectuer des réglages dans le compartiment congélateur, appuyez sur la touche jusqu'à ce que la mention « freezer » apparaisse dans le champ d'affichage du compartiment congélateur.

3 Touche « fridge »

Pour pouvoir effectuer des réglages dans le compartiment réfrigérateur, appuyez sur la touche jusqu'à ce que la mention « fridge » apparaisse dans le champ d'affichage du compartiment réfrigérateur..

4 Touche « alarm/lock »

Cette touche sert à

- éteindre l'alarme sonore (voir le chapitre « Alarme sonore »)
- activer et désactiver le blocage des touches.

Si la fonction « lock » a été activée, aucun réglage n'est possible par le bandeau de commande.

Exception au blocage des touches : en présence d'un signal d'alarme, il est possible d'appuyer sur la touche « alarm/lock » pour couper le signal d'alarme.

Pour activer et désactiver le blocage des touches, appuyez 5 secondes sur la touche. Si la fonction a été activée, le champ « lock » s'allume.

5 Touches de réglage

« + » et « - »

Ces touches permettent de régler les températures des différentes zones de réfrigération.

6 Touche Marche/ Arrêt commandant l'éclairage du distributeur de glaçons et d'eau

7 Touche de distribution de glaçons

8 Touche de distribution de glace pilée

9 Touche de distribution d'eau

A Champ d'affichage du compartiment congélateur

B Champ d'affichage du compartiment réfrigérateur

Enclenchement de l'appareil

- ❑ Allumez l'appareil à l'aide de la touche Marche / Arrêt.
- ❑ Appuyez sur la touche « alarm/lock ». L'alarme sonore s'éteint.
- i** La mention « alarm » s'éteint une fois atteinte la température réglée.

Les températures préréglées (réglages usine) ne sont atteintes qu'au bout de plusieurs heures. Pendant cette période, ne rangez pas de produits alimentaires dans l'appareil.

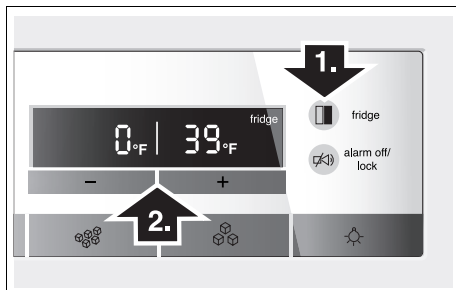
Le fabricant recommande les températures suivantes :

- Compartiment réfrigérateur :
39 °F (+4 °C)
- Compartiment congélateur :
0 °F (-18 °C)

Réglage de la température

Compartiment réfrigérant

1. Appuyez sur la touche « fridge » jusqu'à ce que la mention « fridge » s'allume.
2. Réglez la température par les touches de réglage « + » (hausse) ou « - » (baisse).



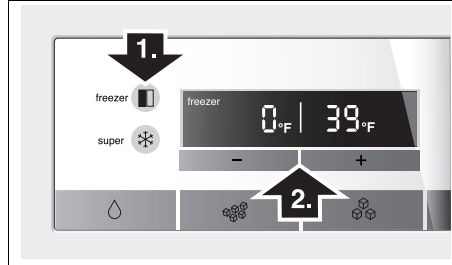
La température se laisse régler par pas de un degré.

La température du compartiment réfrigérateur se règle entre 36 °F (+2 °C) et 46 °F (+8 °C).

Évitez de stocker les produits alimentaires délicats à une température supérieure à 39 °F (4 °C).

Compartiment congélateur

1. Appuyez sur la touche « freezer » jusqu'à ce que la mention « freezer » s'allume.
2. Réglez la température par les touches de réglage « + » (hausse) ou « - » (baisse).



La température se laisse régler par pas de un degré.

La température du compartiment réfrigérateur se règle entre 7 °F (-14 °C) to -11 °F (-24 °C).

Le système mémorise la valeur affichée en dernier.

Alarme sonore

Une alarme sonore peut se déclencher dans les cas suivants :

Alarme sonore de porte

Cette alarme sonore s'active si la porte de l'appareil est restée ouverte plus d'une minute. Refermer la porte suffit pour que l'alarme sonore cesse.

Le fait d'appuyer sur la touche « alarm/lock » éteint l'alarme sonore.

Alarme sonore pour température excessive

Cette alarme sonore s'enclenche si la température a trop monté dans le compartiment congélateur ou réfrigérateur, donc si les produits risquent de s'abîmer.

Le signal sonore et optique peut se manifester dans les cas suivants, sans que cela signifie que les produits congelés risquent de s'abîmer :

- À la mise en service de l'appareil ;
- Vous venez de ranger de grandes quantités de produits alimentaires frais.

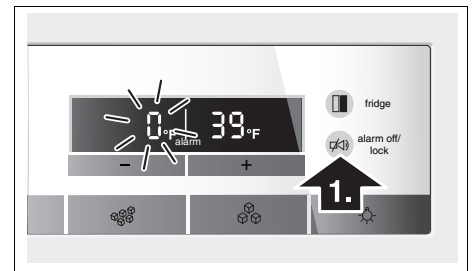
Compartiment congélateur

⚠ ATTENTION ⚠

Ne recongelez pas les aliments qui ont dégelé partiellement ou complètement. Vous pourrez les recongeler uniquement après les avoir transformés en plats pré-cuisinés (par cuisson ou rôtissage). Dans ce cas, consommez-les nettement avant la date limite de conservation.

La température réglée du compartiment congélateur clignote et la mention « alarme » s'affiche.

Le fait d'appuyer sur la touche « alarm/lock » éteint l'alarme sonore.



La température la plus élevée qui a régné dans le compartiment congélateur s'affiche pendant 10 secondes. Ensuite se réaffiche la température réglée.

La mention « alarm » s'éteint une fois atteinte la température réglée.

Compartiment réfrigérateur

⚠ ATTENTION ⚠

Si la température a trop monté dans le compartiment réfrigérateur, faites cuire les produits réfrigérés avant de les consommer. Si vous avez des doutes quant aux produits alimentaires crus, ne les utilisez pas.

La mention « alarme » s'affiche dans le champ du compartiment réfrigérateur.

Le fait d'appuyer sur la touche « alarm/lock » éteint l'alarme sonore.

Superréfrigération

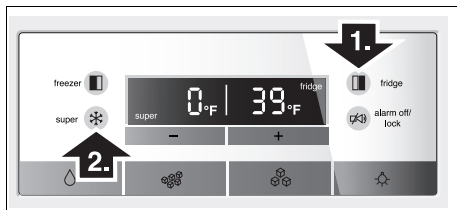
Pendant la superréfrigération, la température dans le compartiment réfrigérateur descend le plus bas possible pendant env. 6 heures. Ensuite, l'appareil commute sur la température réglée avant que vous n'activiez la superréfrigération.

La superréfrigération est particulièrement recommandée :

- Avant de ranger de grandes quantités d'aliments.
- Pour refroidir rapidement des boissons.

Activer la superréfrigération

1. Appuyez sur la touche « fridge » jusqu'à ce que la mention « fridge » s'allume.
2. Ensuite, appuyez sur la touche « super ». « super » s'affichent dans le champ.



Éteindre la superréfrigération

Comme à l'allumage, sélectionnez le compartiment réfrigérateur, puis appuyez sur la touche « super ». La mention « super » s'éteint.

Supercongélation

Les aliments doivent congeler à cœur aussi vite que possible pour qu'ils conservent vitamines, valeur nutritive, aspect et goût.

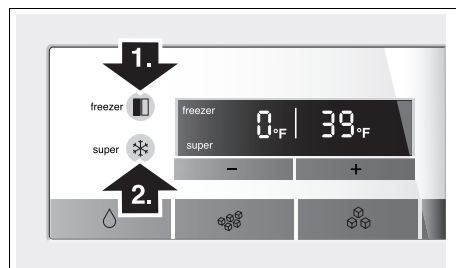
Pour préserver les vitamines, valeurs nutritives, l'aspect et le goût des produits.

Pour qu'il ne se produise pas d'augmentation indésirable de la température lorsque vous rangez des produits alimentaires frais, appuyez sur la touche de supercongélation quelques heures avant de les ranger.

4 à 6 heures suffisent généralement. Cependant, si vous désirez congeler des quantités correspondant à la capacité de congélation maximale, vous devrez enclencher la supercongélation 24 heures avant. Si vous ne voulez congeler que de petites quantités d'aliments vous n'avez pas besoin d'enclencher la supercongélation.

Activer la supercongélation

1. Appuyez sur la touche « freezer » jusqu'à ce que la mention « freezer » s'allume.
2. Ensuite, appuyez sur la touche « super ». « super » s'affichent dans le champ.



Désactiver la supercongélation

Pour éteindre, appuyez à nouveau sur la touche « super ».

REMARQUE

La supercongélation se désactive automatiquement au bout de 2½ jours..

Régler l'unité de température

L'affichage de la température peut avoir lieu en degrés Celsius (°C) ou en degrés Fahrenheit (°F).

Régler l'unité de température

- Appuyez simultanément sur les touches « fridge » et « freezer » pendant 5 secondes.

L'appareil commute sur l'unité de température autre que celle qui était affichée.

Compartiment réfrigérant

AVERTISSEMENT



Risque d'explosion!

Ne stockez ni n'utilisez pas d'essence ou d'autres liquides et vapeurs inflammables à proximité de cet appareil et de tout autre. Le non-respect de ces instructions s'assortit d'un danger de mort, d'explosion ou d'incendie.

La température du compartiment réfrigérateur se règle entre 36 °F (+2 °C) et 46 °F (+8 °C).

Nous recommandons de régler l'appareil sur 39 °F (+4 °C).

Évitez de stocker les produits alimentaires délicats à une température supérieure à 39 °F (+4 °C).

Utilisation du compartiment réfrigérateur

Pour stocker les pâtisseries, plats précuisinés, conserves, le lait condensé, le fromage dur, les fruits et légumes craignant le froid, les agrumes dont p. ex. les mandarines ; les bananes, ananas, melons, avocats, papayes, fruits de la passion, aubergines ; pour que les fruits finissent de mûrir, pour les tomates, concombres, tomates vertes, pommes de terres.

Consignes de rangement à respecter

- L'air ne doit pas pénétrer dans l'emballage pour que les aliments ne perdent pas leur goût ni ne sèchent pas.
- Dans le compartiment réfrigérateur, veillez à ce que les produits alimentaires n'obstruent pas les orifices de sortie d'air car cela gênerait sa circulation.

- Les huiles et graisses n'entrent pas en contact avec les pièces en plastique et le joint de la porte.
- Conserver les alcools concentrés uniquement fermés et placés debout.

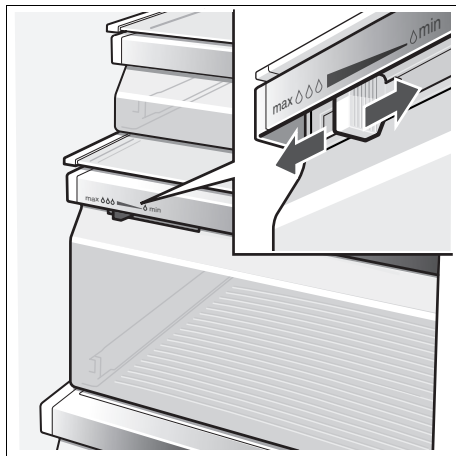
Compartiment à légumes avec filtre à humidité

Le tiroir à fraîcheur humide est recouvert d'un filtre spécial qui laisse certes passer l'air mais retient l'humidité.

Si l'air est très humide, les légumes à feuilles conservent plus longtemps leur fraîcheur. Si l'air est très humide, les légumes à feuilles conservent plus longtemps leur fraîcheur.

L'humidité régnant dans les bacs à légumes dépend de la quantité de produits alimentaires rangés.

Une humidité excessive peut provoquer l'apparition de gouttes d'eau et entraîner un pourrissement.



Humidité de l'air élevée

Régulateur d'humidité à gauche : l'orifice d'aération est fermé.

Niveau d'humidité de l'air réduit

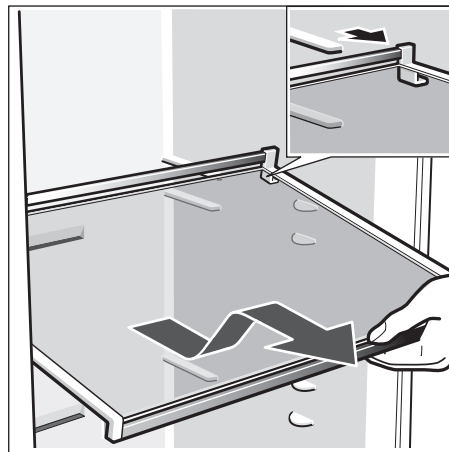
Régulateur d'humidité à droite : l'orifice d'aération est ouvert.

Contenance utile

Sur la plaque signalétique (voir la figure au chapitre « Service après-vente ») vous trouverez des indications sur le volume utile.

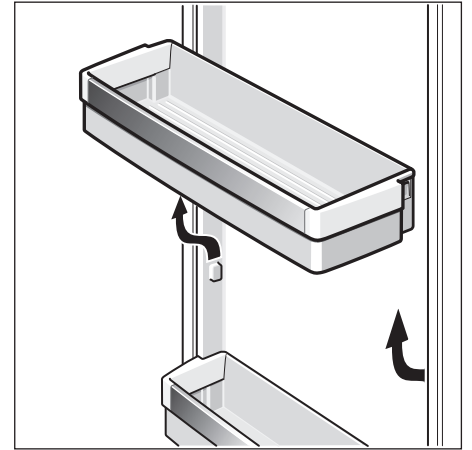
Agencement variable du compartiment intérieur

Clayettes



Tirez les clayettes à vous, abaissez-les puis extrayez-les.

Support en contreporte



Soulevez le support en contreporte et retirez-le.

Compartiment congélateur

⚠ AVERTISSEMENT ⚠



Risque d'explosion!

Ne stockez ni n'utilisez pas d'essence ou d'autres liquides et vapeurs inflammables à proximité de cet appareil et de tout autre.

Le non-respect de ces instructions s'assortit d'un danger de mort, d'explosion ou d'incendie.

La température du compartiment congélateur est réglable entre 7 °F (-14 °C) et -11 °F (-24 °C).

Nous recommandons de régler l'appareil sur 0 °F (-18 °C).

Utilisez le compartiment congélateur :

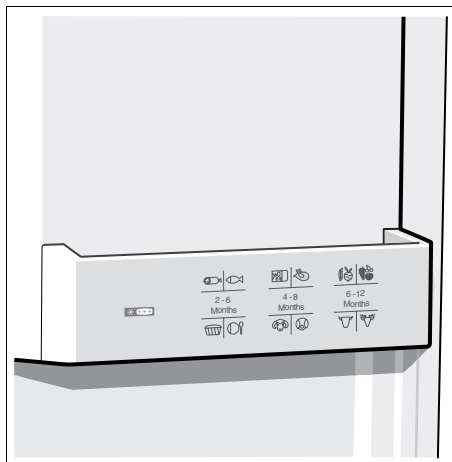
- Sert à ranger des produits surgelés.
- Congeler des produits alimentaires.
- Confectionner des glaçons. Remarques.

Remarque:

- Veillez à ce que la porte du compartiment congélateur soit toujours fermée. Si cette porte reste ouverte, les produits surgelés dégèleront. Le compartiment réfrigérateur se couvrirait de givre. En outre, vous gaspillez de l'énergie vu la forte consommation de courant.
- Le fait de refermer la porte du compartiment congélateur engendre une dépression dedans, avec un bruit d'aspiration perceptible. Attendez deux à trois minutes, temps nécessaire à la dépression pour se résorber.

Calendrier de congélation

(selon le modèle)



Les chiffres à côté des symboles indiquent en mois la durée de conservation permise pour le produit concerné. Dans le cas de produits surgelés prêts à consommer, tenez également compte de la date de fabrication ou de la limite de conservation recommandée.

Congeler les aliments

Pour congeler les aliments, n'utilisez que des aliments frais et d'un aspect impeccable. Veillez à ce que les produits alimentaires à congeler n'entrent pas en contact avec des produits déjà congelés. L'air ne doit pas pénétrer dans l'emballage pour que les aliments ne perdent pas leur goût ni ne sèchent pas.

Capacité de congélation

La plaque signalétique (voir la figure au chapitre « Service après-vente ») contient des indications sur la capacité de congélation maximale en 24 heures.

Pour emballer correctement :

- Placez les aliments dans l'emballage.
- Chassez complètement l'air de l'emballage.
- Obturez l'emballage hermétiquement.
- Inscrivez sur l'emballage le nom du contenu et la date de congélation.

Emballages inadaptés :

Papier d'emballage, papier sulfurisé, cellophane, sacs-poubelles, sacs d'achat déjà utilisés.

Emballages adaptés :

Feuilles en plastique, feuilles en polyéthylène, feuilles d'aluminium, boîtes de congélation.

Ces produits sont en vente dans le commerce spécialisé.

Pour obturer les emballages, utilisez des :

Caoutchoucs, clips en plastique, ficelles, rubans adhésifs résistants au froid, ou assimilés.

Vous pouvez fermer les sachets et feuilles en polyéthylène au moyen d'un appareil à souder.

Durée de conservation des produits surgelés

La durée de conservation dépend de la nature des produits alimentaires. Si la température a été réglée sur 0 °F (-18 °C):

- Poisson, charcuterie, plats pré-cuisinés, pâtisseries : **jusqu'à 6 mois**
- Fromage, volaille, viande : **jusqu'à 8 mois**
- Fruits et légumes : **jusqu'à 12 mois**

Acheter et stocker des produits surgelés

Au moment d'acheter des produits surgelés, tenez compte de ce qui suit :

- Vérifiez si l'emballage est endommagé.
- Vérifiez la date limite de consommation recommandée.
- La température indiquée par le thermomètre du congélateur commercial doit être de 0 °F (-18 °C) minimum. Si ce n'est pas le cas, la durée de conservation des produits surgelés diminue en conséquence.
- Achetez les produits surgelés en dernier. Emballez-les dans du papier journal ou utilisez un sac isotherme pour le transport.
- Une fois revenu chez vous, rangez les produits surgelés immédiatement dans le compartiment congélateur. Consommez les produits surgelés avant la date limite de consommation recommandée.

Décongélation des produits

⚠ ATTENTION ⚠

Ne remettez pas à congeler des produits alimentaires partiellement ou entièrement décongelés. Ne recongelez les produits qu'après les avoir transformés (cuisson ou rôtissage). Dans ce cas, consommez-les nettement avant la date limite de conservation.

Selon la nature et l'utilisation des produits surgelés, vous pouvez choisir entre plusieurs possibilités :

- À la température ambiante.
- Dans le réfrigérateur.
- Dans le four électrique, avec / sans ventilateur à air chaud.
- Dans le micro-ondes.

Distribution de glaçons et d'eau

Vous pouvez prélever, suivant besoins :

- de l'eau réfrigérée,
- de la glace pilée,
- des glaçons.

⚠ AVERTISSEMENT ⚠

N'introduisez jamais les doigts dans l'orifice de distribution des glaçons ! **Risque de blessures.**

REMARQUE

Ne mettez jamais de bouteilles ou produits alimentaires dans le distributeur de glaçons pour les faire refroidir rapidement. Il risquerait de se bloquer et de s'endommager.

Consignes pour la mise en service

La distribution de glaçons et d'eau ne fonctionne que si l'appareil a été raccordé au réseau d'eau.

Après la mise en service de l'appareil, il faut env. 24 heures pour que les premiers glaçons soient prêts.

Après le raccordement, les conduites contiennent encore des bulles d'air.

Prélevez de l'eau et jetez-la jusqu'à ce qu'elle sorte sans bulles. Jetez le contenu des 5 premiers verres.

Si vous utilisez le distributeur de glaçons pour la première fois, n'utilisez pas, pour des motifs d'hygiène, les 30 à 40 premiers glaçons.

Remarques concernant le fonctionnement du distributeur de glaçons

Une fois que le compartiment congélateur a atteint la température de congélation, l'eau afflue dans ce distributeur et se solidifie dans ses compartiments pour former des glaçons. Les glaçons finis sont automatiquement transférés dans le bac à glaçons.

Parfois, plusieurs glaçons à la fois s'accumulent sur le côté. Ils se détachent généralement d'eux-mêmes pendant leur transfert vers l'orifice de distribution.

Une fois que le distributeur de glaçons est plein, la préparation de glaçons cesse automatiquement.

Le distributeur de glaçons est en mesure de préparer 100 glaçons en 24 heures.

Lors de la confection des glaçons, on entend le bourdonnement de l'électrovanne à eau, l'afflux d'eau dans le bac à glaçons et la chute des glaçons.

Surveiller la qualité de l'eau potable

Tous les matériaux utilisés dans le distributeur de boisson sont inodores et sans saveur.

Si l'eau devait avoir un goût, les raisons peuvent être les suivantes :

- Teneur de l'eau potable en sels minéraux et en chlore.
- Matériau de la conduite d'adduction d'eau à la maison ou de raccordement.
- Fraîcheur de l'eau potable. Si aucune eau n'a été prélevée pendant longtemps, elle peut prendre un goût « pas frais ». Dans ce cas-là, prélevez env. 15 verres d'eau et jetez leur contenu.

Vous pouvez intercaler le filtre à eau ci-joint sur la conduite d'arrivée si l'eau a un goût et une odeur.

⚠ ATTENTION ⚠

Le filtre à eau ci-joint filtre exclusivement les particules en suspension dans l'eau entrante, mais il ne retient pas les bactéries ni les microbes.

Prélever des glaçons / de l'eau

- ❑ Appuyez sur la touche distribution de glace et d'eau (eau, glace pilée ou glaçons).
- ❑ Appuyez sur la touche jusqu'à ce que la quantité souhaitée soit dans le verre.

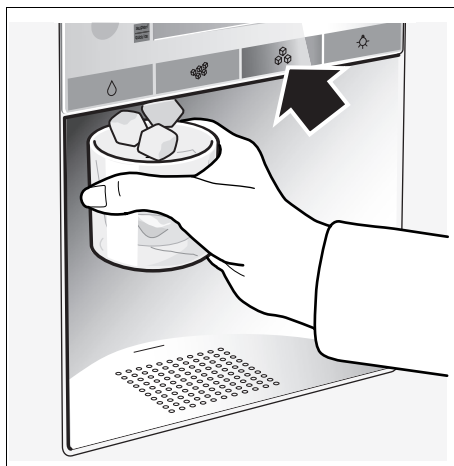
Prélever de l'eau :



Un conseil :

L'eau sortant du distributeur d'eau se trouve à une température fraîche adaptée à sa dégustation. Si vous voulez de l'eau plus froide, mettez quelques glaçons dans le verre avant d'en prélever.

Prélever des glaçons :



Désactiver le distributeur de glaçons

Si vous prévoyez de ne pas prélever de glaçons pendant plus d'une semaine (départ en vacances p. ex.), il faudrait désactiver temporairement le distributeur pour empêcher que les glaçons ne se soudent entre eux.

- ❑ Pour ce faire, extrayez le bac à glaçons.
- ❑ Poussez l'interrupteur marche/arrêt situé derrière le bac à glaçons sur la position « 0 »; cette action éteint le distributeur de glaçons.



- ❑ Videz le bac à glaçons et nettoyez-le. Remettez le bac en place. Veillez à ce que le bac encoche bien sur sa surface d'appui.

Pour le remettre en service :

- ❑ Rétablissez l'alimentation en eau.

- ❑ Poussez, pendant 5 secondes, l'interrupteur marche/arrêt situé derrière le bac à glaçons sur la position « I ».

Remarque:

Le texte situé sous l'interrupteur Marche/Arrêt n'est destiné qu'au service après-vente, inutile d'en tenir compte.

Désactiver la distribution de glaçons et d'eau

Cette fonction vous permet de désactiver la distribution de glaçons et d'eau.

- ❑ Videz le bac à glaçons et nettoyez-le.
- ❑ Remettez le bac en place. Veillez à ce que le bac à glaçons encoche sur son appui.
- ❑ Pour allumer et éteindre, appuyez pendant 5 secondes sur les touches « freezer » et « super ». Une fois la fonction éteinte, la mention « IWD off » s'affiche.

Filtre à eau

⚠ ATTENTION ⚠

Dans les localités où la qualité de l'eau est douteuse ou insuffisamment connue, n'utilisez pas l'appareil sans avoir intercalé un moyen de désinfection approprié en amont et en aval du dispositif de filtrage.

Vous pouvez, via le service après-vente, vous procurer une cartouche pour le filtre à particules.

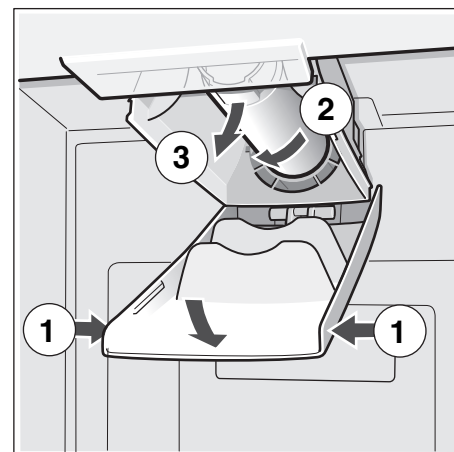
Il faudrait changer cette cartouche au plus tard au bout de six mois.

Consignes importantes concernant le filtre à eau

- Après utilisation, le circuit d'eau se trouve légèrement sous pression. Prudence lorsque vous retirez le filtre!

- Si l'appareil est resté assez longtemps sans servir ou si l'eau a un goût ou une odeur désagréable, rincez le circuit d'eau. Pour ce faire, prélevez de l'eau pendant plusieurs minutes au distributeur d'eau. Si le goût ou l'odeur désagréable persistent, changez la cartouche filtrante.

Changement de cartouche filtrante



- ❑ Mettez une cartouche filtrante neuve en place.
- ❑ Soutirez quelques litres d'eau par le biais du distributeur d'eau. Cette précaution chasse l'air du circuit d'eau.
- ❑ Videz l'eau encore présente dans l'ancienne cartouche filtrante. Vous pouvez ensuite la mettre à la poubelle des déchets domestiques.

Fiche de spécifications et de performances

Modèle de filtre 9000 225 170

avec utilisation de la cartouche de recharge 9000 077 104

Ce modèle a été testé par NSF International en conformité avec les standards ANSI/NSF 42 & 53, et certifié capable de réduire les teneurs en substances énoncées ci-après.

La concentration des substances indiquées, dissoutes dans l'eau, qui pénètrent dans le système a été ramenée à une valeur inférieure ou égale à la valeur limite admissible selon NSF/ANSI 42 et 53 applicable à l'eau déviée hors de l'appareil.

Remarque :

bien que les tests aient été réalisés dans des conditions de laboratoire standardisées, les performances réelles peuvent différer de ceux-ci.



Le système a été testé et certifié dans le modèle 9000 077 095 de NSF International, par rapport au standard ANSI/NSF 53 visant à réduire les cystes et turbidités, ainsi que par rapport au standard ANSI/NSF 42 visant à réduire le goût et l'odeur de chlore.

Classe particulière nominale : I

Durée utile nominale : 739.68 gallons (2800 litres)

Substance	En moyenne dans le flux entrant	Concentration dans le flux entrant	Concentration dans l'eau sortante	Réduction moyenne en %	Concentration max. admissible dans l'eau sortante	Eau sortante	Réduction minimum en %	Test NSF
Cystes*	166.500	Min 50.000/l	1	99,99	99,95	1	99,99	511077-03
Turbidité	10,7	11 x 1 NTU	0,31	97,10	0,5 NTU	0,49	95,42	511078-03

Particule Classe I Taille des particules > 0,5 à < 1µm	5.700.000	Au moins 10,000 particules/ml	30.583	99,52	>85 %	69.000	98,9	511079-03
Goût & odeur de chlore	1,9	2,0 mg/l ±10%	0,05	97,3	>50 %	0,06	96,84	511081-03

* Basé sur l'utilisation d'oocystes de *Cryptosporium parvum*.

Directives d'application / Paramètres d'alimentation en eau

Pression de l'eau :
30 – 120 psi (207 – 827 kPa)

Température de l'eau* :
33 °F – 100 °F (0,6 °C – 38 °C)

Vitesse d'écoulement :
0,75 gpm (2,83 lpm)

- Le système devra être installé et exploité conformément aux directives recommandées par le fabricant.
- Il faut changer le filtre tous les 6 à 9 mois.
- Rincer le filtre neuf pendant 5 minutes.
- La carte de garantie contient des détails avancés.

Il ne FAUDRAIT PAS utiliser ce produit lorsque l'eau est microbiologiquement nocive ou d'une qualité inconnue, sans désinfection avant ou après raccordement au système. Un système certifié capable de réduire la teneur en cystes ne doit être affecté qu'à de l'eau désinfectée, c'est-à-dire de l'eau contenant selon les circonstances des cystes filtrables.

L'ensemble du système bénéficie (sauf la cartouche à usage unique) d'une garantie d'un an. Concernant les cartouches à usage unique, la garantie ne porte que sur les vices de matière et de fabrication. La durée d'exploitation des cartouches filtrantes à usage

unique dépend de la qualité locale de l'eau, de sorte qu'il est impossible de garantir une durée d'exploitation précise.

Le vendeur auprès duquel vous avez acheté l'appareil ou votre fournisseur de pièces représentant sur place vous fournira des détails avancés concernant les prix des pièces de rechange.

Fabriqué par :
3M Material Technology (Guangzhou) Ltd.
9 Nanxiang Er road, Science City,
Guangzhou, 510663, P. R. China

Economies d'énergie

- Placez votre appareil dans un endroit frais et bien aéré. Veillez à ce qu'il ne soit pas exposé aux rayons solaires et qu'il ne se trouve pas à proximité d'une source de chaleur (radiateur etc.). Utilisez le cas échéant une plaque isolante.
- Attendez que les boissons et aliments chauds aient refroidi à la température de la pièce avant de les ranger dans l'appareil.
- Vous pouvez utiliser le froid qu'ils ont emmagasiné pour refroidir les aliments stockés dans le réfrigérateur. Vous profitez ainsi de leur excédent de froid pour refroidir les aliments déjà présents dans ce compartiment.
- N'ouvrez la porte de l'appareil que le plus brièvement possible !

Bruits de fonctionnement

Bruits parfaitement normaux

Bourdonnements étouffés :

ces bruits normaux se font entendre pendant que le compresseur est en marche. Le ventilateur du système de circulation d'air fonctionne.

Gargouillis, murmures ou clapotis légers : le fluide frigorigène circule dans les tubulures. Eau en train d'affluer dans le distributeur de glaçons.

Cliquetis : ils sont audibles lorsque le moteur se met en marche ou s'arrête. L'électrovanne située sur le raccordement de l'eau s'ouvre et se ferme.

Bruit de chute : les glaçons finis de se solidifier chutent du distributeur dans le bac.

Éviter la génération de bruits

L'appareil ne repose pas d'aplomb

Vérifiez l'horizontalité de l'appareil à l'aide d'un niveau à bulle. Ajustez ensuite l'horizontalité par les pieds à vis ou placez un objet dessous.

L'appareil touche quelque chose

Eloignez l'appareil de meubles ou d'appareils voisins.

Des tiroirs, paniers ou surfaces de rangement vibrent ou se coincent

Vérifiez les pièces amovibles puis remettez-les en place correctement.

Des récipients se touchent

Eloignez légèrement les bouteilles ou récipients les uns des autres.

Si vous dégivrez l'appareil

Compartiment congélateur

Grâce au système Nofrost entièrement automatique, le compartiment congélateur ne se couvre pas de givre. La nécessité de dégivrer disparaît.

Compartiment réfrigérateur

La décongélation a lieu automatiquement.

L'eau de condensation sort par l'orifice d'écoulement puis gagne le bac d'évaporation au dos de l'appareil.

Arrêt et remisage de l'appareil

Coupure de l'appareil

- ❑ Coupure de l'appareil.
- ❑ Débranchez la fiche mâle de la prise de courant.

Remisage de l'appareil

Si l'appareil doit rester longtemps sans servir :

- ❑ Coupez impérativement l'arrivée d'eau à l'appareil quelques heures avant de l'éteindre.
- ❑ Sortez tous les produits alimentaires de l'appareil.
- ❑ Coupure de l'appareil.
- ❑ Débranchez la fiche mâle de la prise de courant.
- ❑ Nettoyez l'intérieur de l'appareil (voir le chapitre « Nettoyage »).

Pour éviter l'apparition de mauvaises odeurs, laissez les portes ouvertes.

Nettoyage

⚠ AVERTISSEMENT ⚠



Risque de choc électrique !

Pour éviter tout choc électrique, lequel peut occasionner des blessures (brûlures !) graves ou la mort, débranchez toujours la fiche mâle de l'appareil avant de le nettoyer. Après le nettoyage, rebranchez la fiche mâle dans la prise de courant.

⚠ AVERTISSEMENT ⚠

Pour éviter des dommages corporels ou des dégâts matériels veuillez respecter les instructions suivantes :

- Ne nettoyez jamais l'intérieur de l'appareil avec un nettoyeur à vapeur !
- Veillez bien à ce que l'eau de nettoyage ne puisse pas pénétrer dans l'éclairage ou sous le panneau de commande.

⚠ ATTENTION ⚠

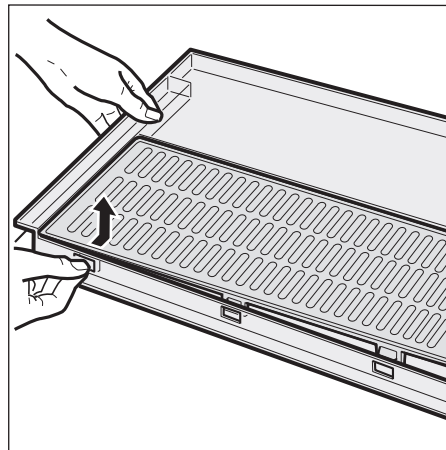
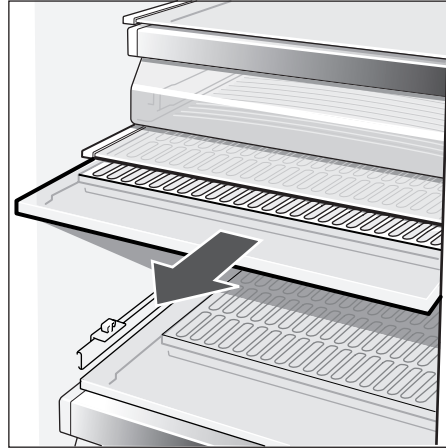
- N'employez pas de produits de nettoyage ou solvants contenant du sable ou des acides.
- Ne nettoyez jamais les clayettes et les bacs au lave-vaisselle. Ces pièces pourraient se déformer !

Nettoyage de l'appareil

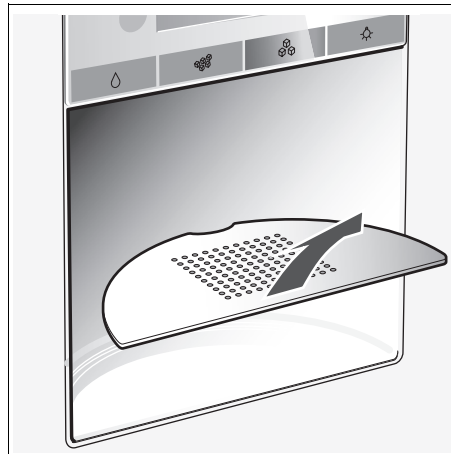
- ❑ Avant de nettoyer l'appareil, éteignez l'appareil puis débranchez la fiche mâle de la prise de courant.
- ❑ Sortez les produits réfrigérés de l'appareil et déposez-les dans un endroit frais.
- ❑ Nettoyez l'appareil avec de l'eau tiède additionnée d'un peu de produit à vaisselle.
- ❑ N'essuyez le joint de porte qu'avec un chiffon et de l'eau propre; ensuite, séchez-le à fond.

- ❑ Nettoyez la surface de l'appareil avec un chiffon doux et humide, et un peu de produit à vaisselle. Ensuite, séchez-le en frottant avec un essuie-tout sec.
- ❑ Après le nettoyage : rebranchez la fiche mâle de l'appareil puis réenclenchez-le.

Nettoyer le filtre à humidité



Nettoyer le bac récupérateur d'eau



L'eau renversée afflue dans le bac de récupération.

Pour le vider et le nettoyer, retirez le crible. Essayez le bac récupérateur d'eau avec une éponge ou un essuie-tout absorbant.

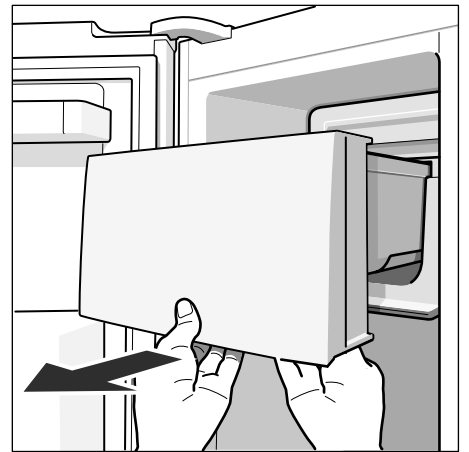
Nettoyer le bac à glaçons

Si vous n'avez pas prélevé de glaçons pendant une période prolongée, ceux déjà confectionnés rapetissent, perdent leur fraîcheur et collent entre eux.

- ❑ Sortez le bac, videz-le et nettoyez-le à l'eau tiède.

⚠ ATTENTION ⚠

Un bac rempli de glaçons est lourd! Risque de blessures.



- ❑ Essuyez bien le bac et la vis transporteuse sans fin avec un essuie-tout sec pour que les nouveaux glaçons ne viennent pas coller contre la surface mouillée.

Mis en place du bac à glaçons :

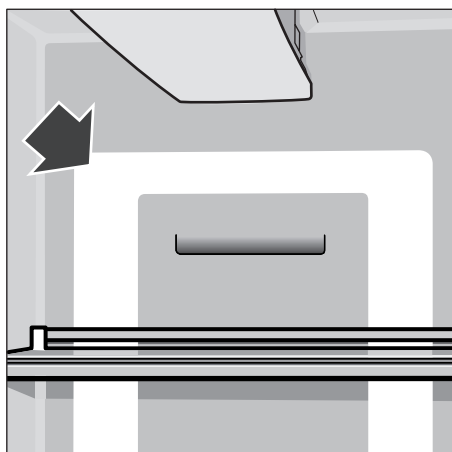
- ❑ Poussez le bac à glaçons complètement à l'arrière sur les surfaces, jusqu'à ce qu'il encoche.
- ❑ Si le bac ne se laisse pas déplacer complètement jusqu'en arrière, tournez un peu la vis sans fin dans le bac et retirez les glaçons soudés dans la zone d'introduction.

Éclairage

(Selon le modèle)

Éclairage (LED)

Votre appareil est équipé d'un éclairage par LED ne demandant pas d'entretien.



⚠ ATTENTION ⚠

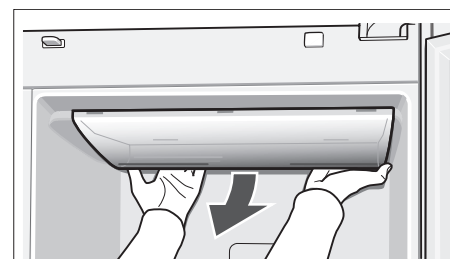
Rayonnement laser de classe 1 M (norme IEC 60825).
N'observez jamais le rayonnement avec des instruments optiques.
Risque de lésions oculaires !
Les réparations de cet éclairage sont exclusivement réservées au service après-vente ou à des spécialistes autorisés.

Changement des ampoules dans les compartiments réfrigérateur et congélateur

⚠ AVERTISSEMENT ⚠

Pour éviter un choc électrique susceptible d'occasionner des blessures (brûlures!) graves ou la mort, débranchez toujours l'appareil du secteur électrique avant d'effectuer des réparations. Après les réparations, remettez l'appareil sous tension.

- ❑ Éteignez l'appareil par le bouton power !
Débranchez la fiche mâle de la prise de courant ou ramenez le disjoncteur en position éteinte.



- ❑ Retirez le couvercle.
- ❑ Changez l'ampoule.
Mettez en place une ampoule de recharge de 25 W, socle E14.
- ❑ Remontez le couvercle.

Dérangements et remèdes

Avant d'appeler le service après-vente (SAV):

- Vérifiez svp si vous ne pouvez pas remédier vous-même au dérangement à l'aide des instructions qui suivent.
- Soumettez l'appareil à un autodiagnostic (voir le chapitre « Autodiagnostic de l'appareil »).

Vous éviterez des dépenses inutiles car le déplacement du technicien du SAV vous sera facturé même pendant la période de garantie.

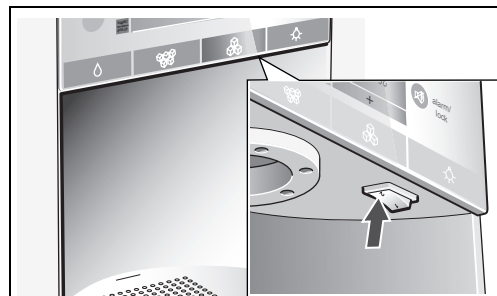
Dérangement	Cause possible	Remède
La température dévie fortement par rapport au réglage.		Dans certains cas, il suffira d'éteindre l'appareil pendant 5 minutes. Si la température est trop élevée, vérifiez au bout de seulement quelques heures si un rapprochement de la température a eu lieu. Si la température est trop basse, vérifiez à nouveau la température le lendemain
Rien ne s'affiche sur l'écran.	La fiche mâle de l'appareil est bien branchée dans la prise du secteur. Le disjoncteur du secteur du logement se trouve en position éteinte.	Vérifiez si la prise est sous tension. Le disjoncteur doit se trouver en position armée.
La mention « E.. » s'affiche.	Les circuits électroniques sont défectueux.	Appelez le service après-vente.

Dérangement	Cause possible	Remède
L'alarme sonore retentit, l'indicateur de température du compartiment congélateur clignote.	<p>La température est trop élevée dans le compartiment congélateur ! Les produits surgelés risquent de s'abîmer !</p> <ul style="list-style-type: none"> – Les orifices d'apport et d'évacuation d'air sont recouverts par des objets faisant obstacle. – Porte du compartiment congélateur ouverte. – Vous avez mis d'un coup trop de produits à congeler. 	<p>Le fait d'appuyer sur la touche « alarm/lock », éteint l'alarme sonore et le clignotement de l'affichage. La température la plus élevée qui a régné dans le compartiment congélateur s'affiche pendant 10 secondes.</p> <p>i Vous pouvez remettre à congeler les produits en partie ou intégralement dégelés à condition qu'ils ne soient pas restés dégelés (37 °F (+3 °C)) plus d'un jour s'il s'agit de viande ou de poisson, ou plus de trois jours s'il s'agit d'autres produits.</p>
L'éclairage intérieur ne fonctionne pas.	L'interrupteur d'éclairage du compartiment congélateur ou réfrigérateur est coincé.	Vérifiez si l'interrupteur d'éclairage se laisse déplacer.
	L'éclairage est défectueux.	Voir le chapitre « Éclairage »
L'appareil devient, brièvement, un peu plus bruyant.	Il ne s'agit pas d'un défaut ! L'appareil a été conçu pour marcher d'une façon économe d'énergie. Dans des conditions précises (p. ex. si la fonction Super a été activée), l'appareil doit marcher à plus forte puissance, et devient donc un peu plus bruyant.	
L'appareil ne refroidit pas. L'éclairage intérieur ne fonctionne pas.	Panne de courant ; le disjoncteur a disjoncté ; la fiche mâle n'est pas correctement enfoncée dans la prise.	Vérifiez que le secteur est bien sous tension. Réarmez le disjoncteur. Vérifiez que la fiche mâle est bien enfoncée dans la prise du secteur.
Le groupe frigorifique s'allume de plus en plus souvent et pendant une plus longue période.	Vous avez ouvert fréquemment la porte de l'appareil.	N'ouvrez pas la porte inutilement.
	Vous avez rangé de grandes quantités d'aliments dans l'appareil.	Enclenchez la fonction Super.
	Les orifices d'aération ne sont pas dégagés.	Retirez les obstacles et les salissures.
La température régnant dans le compartiment congélateur ou le compartiment réfrigérateur est trop basse.	Vous avez réglé la température trop basse.	Haussez la température (voir « Réglage de la température »).
Les produits congelés ont collé.		Détachez les produits congelés avec un objet émoussé. N'utilisez jamais de couteaux ni d'objets pointus.

Distributeur de glaçons et d'eau

Dérangement	Cause possible	Remède
L'appareil, bien que marchant depuis longtemps, ne distribue pas de glaçons	Robinet d'eau fermé.	Ouvrez le robinet d'eau.
	Alimentation en eau interrompue Pression de l'eau trop faible.	Prévenez l'installateur.
	Distributeur de glaçons est désactivée.	Réactivez le distributeur de glaçons (voir « Distribution de glaçons et d'eau / Désactiver le distributeur de glaçons »).
	La distribution de glaçons et d'eau est désactivée. La mention « IWD off » s'affiche.	Réactivez la distribution de glaçons et d'eau (voir « Fonctions spéciales / [IWD off] »).

Dérangement	Cause possible	Remède
L'appareil, bien que marchant depuis longtemps, ne distribue pas de glaçons	Température trop élevée dans le compartiment congélateur.	Réglez le compartiment congélateur sur une température plus basse (voir « Réglage de la température »).
Il y a bien des glaçons dans le bac, mais leur distribution n'a pas lieu.	Les glaçons se sont soudés les uns contre les autres.	Sortez le bac à glaçons et videz-le.
Les glaçons se sont coincés à la sortie du bac à glaçons ou dans le broyeur de glaçons.		Sortez le bac à glaçons et faites tourner à la main la vis sans fin de transport. Détachez avec un bâtonnet en bois les morceaux de glace coincés.
Les glaçons sont mouillés.	Les glaçons ont dégelé en raison d'une coupure de courant, ou la porte du compartiment congélateur n'était pas correctement fermée.	Retirez le bac à glaçons, videz-le et essuyez-le avec une serviette sèche.
Le distributeur d'eau ne fonctionne pas.	Robinet d'eau fermé.	Ouvrez le robinet d'eau.
	Alimentation en eau interrompue Pression de l'eau trop faible.	Prévenez l'installateur.
Le distributeur de glaçons n'en fabrique pas suffisamment ou les fabrique déformés.	Vous venez récemment d'allumer l'appareil ou d'activer le distributeur de glaçons.	Il faut env. 24 heures jusqu'à ce que la production de glaçons commence.
	Vous avez prélevé une grande quantité de glaçons.	Il faut env. 24 heures au distributeur de glaçons pour se remplir à nouveau.
	Pression de l'eau faible.	Ne raccordez l'appareil qu'à une source d'eau offrant la pression prescrite (voir « Consignes d'installation / Branchement de l'eau »).
	Filtre à eau bouché ou épuisé.	Changez la cartouche de filtre à eau (voir le chapitre " Filtre à eau ").
De l'eau se condense contre le distributeur de glaçons et d'eau.	L'environnement de l'appareil est trop humide.	Allumez le chauffage d'appoint équipant le distributeur de glaçons et d'eau. Pour allumer, appuyez sur la position « 2 ».



Sur la position « 1 », le chauffage d'appoint est éteint.

Autodiagnostic de l'appareil

Votre appareil est équipé d'un programme automatique d'autodiagnostic qui vous affiche les sources de défauts ; seul le service après-vente est en mesure de les supprimer.

Lancer l'autodiagnostic de l'appareil

- Éteignez l'appareil et attendez 5 minutes.
- Remettez l'appareil en marche.
- Appuyez simultanément sur les touches « select » et « options » pendant 5 secondes.

Le programme d'auto-test démarre. Si la mention « E.. » s'affiche, il s'agit d'un défaut. Si ces différentes mentions de défaut s'affichent, prévenez le service après-vente.

Terminer l'auto-diagnostic de l'appareil

- Appuyez à nouveau sur les touches « select » et « options » pendant 5 secondes.

Service après-vente

Si vous devez recourir au service après-vente, consultez d'abord la section intitulée «Dérangements et remèdes» dans ce manuel. Après avoir vérifié son contenu, vous trouverez une assistance additionnelle en appelant le Bosch Customer Interaction Center **1-800-944-2904** (numéro gratuit) d'un point quelconque des USA.

Au Canada : contactez votre société de service agréée par Bosch ou appelez le **1-800-944-2904**.

Veillez noter séparément les informations suivantes concernant votre réfrigérateur-congélateur inférieur. Elles vous faciliteront l'obtention d'aide ou la demande d'une intervention du service après-vente si cela devait être nécessaire.

Nom du revendeur :

Adresse :

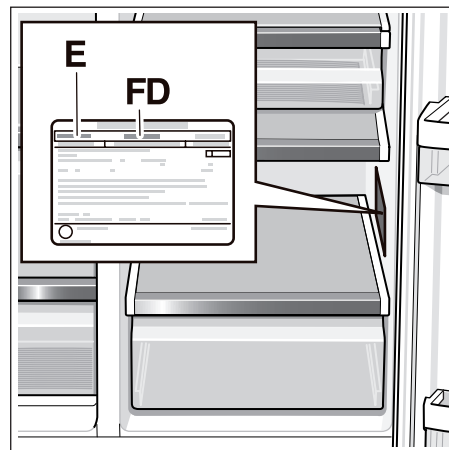
Numéro de téléphone :

Date d'achat :

Numéro de modèle (E) :

Numéro de série (FD) :

Vous devrez indiquer au technicien le numéro complet du modèle (E) et le numéro de série complet (FD).



Vous trouverez ces informations (numéros de modèle et de série) sur la plaque signalétique située contre la paroi intérieure du compartiment réfrigérateur.

CONDITIONS DE LA GARANTIE PRODUIT LIMITÉE

Réfrigérateur-congélateur Bosch

Ce que couvre cette garantie, et personne à laquelle elle s'applique : la garantie limitée fournie par BSH Home Appliances dans les présentes Conditions de garantie produit limitée s'applique uniquement au réfrigérateur-congélateur Bosch (ci-après dénommé « le produit ») qui vous a été vendu à vous, son premier acheteur-utilisateur, à la condition que ce produit ait été acheté : (1) pour votre usage domestique normal (non commercial) et qu'il ait de facto été tout le temps utilisé à des fins domestiques normales ; (2) neuf chez le détaillant (qu'il ne s'agisse donc pas d'un modèle exposé, modèle vendu « tel quel » ou modèle ayant fait l'objet d'un retour) et pas à des fins de revente ou d'usage commercial ; et (3) sur le territoire des Etats-Unis ou du Canada, et qu'il soit resté tout le temps dans le pays où l'achat a eu lieu à l'origine.

Les garanties énoncées dans les présentes conditions ne s'appliquent qu'au premier acquéreur et ne sont pas transférables.

- Veillez bien à renvoyer votre carte d'enregistrement ; bien qu'elle ne soit pas indispensable à l'entrée en vigueur de la garantie, c'est le meilleur moyen, pour Bosch, de vous prévenir dans le cas peu probable où un avis de sécurité ou un rappel de produit serait émis.

Durée de la garantie : Bosch garantit que le produit est exempt de vices de matière et de fabrication pour une période de trois cent soixante cinq (365) jours à compter de la date d'achat. La durée de garantie susmentionnée commence à courir le jour de l'achat et ne sera pas retardée, assortie d'une redevance, allongée ou suspendue pour quelque raison que ce soit.

Réparation / Remplacement en tant que votre remède exclusif : Pendant cette période de garantie, Bosch ou l'un de ses partenaires de SAV (service après-vente) agréés répareront gratuitement votre produit (sous réserve de certaines limitations énoncées dans les présentes conditions) si ce dernier s'avère avoir reçu à la fabrication un vice de matière ou de main-d'œuvre. Si un nombre raisonnable de tentatives ont été accomplies sans succès pour réparer le produit, Bosch remplacera dans ce cas votre produit (Bosch sera en droit de vous fournir, contre supplément, des modèles améliorés disponibles). Toutes les pièces et composants retirés redeviendront propriété exclusive de Bosch. Toutes les pièces

remplacées et/ou réparées assument l'identité de la pièce d'origine aux fins de la présente garantie, et la garantie couvrant de telles pièces ne s'en trouvera pas rallongée. Bosch a pour seule et unique responsabilité, en vertu des présentes conditions, de réparer le produit entaché d'un vice à la fabrication, en recourant aux horaires commerciaux normaux à un fournisseur de SAV agréé par Bosch. Pour des questions de sécurité et par souci de protéger vos biens, Bosch déconseille vivement de réparer l'appareil par vous-même ou de recourir à un prestataire de SAV non agréé ; Bosch ne pourra aucunement être tenu responsable des réparations ou travaux accomplis par un prestataire de SAV non agréé. Si vous décidez de confier le travail sur votre produit à un prestataire de SAV autre qu'un prestataire agréé, **VOUS PERDREZ D'OFFICE LE BÉNÉFICE DE LA GARANTIE.** Les prestataires de SAV agréés sont des personnes ou sociétés qui ont été spécialement formées sur les produits Bosch et qui possèdent, selon l'avis de Bosch, une réputation supérieure à la moyenne quant au service-client offert et à leurs aptitudes techniques (notez qu'il s'agit de sociétés indépendantes et non pas d'agents, partenaires, membres ou représentants de Bosch). Nonobstant ce qui précède, Bosch n'encourra aucune responsabilité envers le produit ni n'en aura la responsabilité si le produit se trouve dans une zone distante (à plus de 100 miles d'un prestataire de SAV agréé) ou s'il se trouve sur un site ou un environnement inaccessible, dangereux, menaçant ou à risques avec des moyens raisonnables ; en pareil cas et si vous le demandez, Bosch continuera d'assumer les frais de main-d'œuvre et de pièces, et expédiera les pièces au fournisseur de SAV agréé le plus proche, mais vous continuerez d'assumer la responsabilité pleine et entière de tout temps de déplacement ou supplément spécial facturé par la société de SAV, en supposant qu'elle accepte de se déplacer pour accomplir la prestation de SAV.

Extension de la garantie limitée :

Bosch fournit également les trois garanties limitées suivantes :

- ❑ **Garantie limitée, sur 2 ans :** Bosch réparera ou remplacera tout composant s'étant avéré présenter un vice de matière ou de fabrication (frais de main-d'œuvre à votre charge).
- ❑ **Garantie limitée des circuits électroniques, sur 5 ans :** Bosch réparera ou remplacera tout microprocesseur ou carte électronique Bosch s'étant avéré(e) présenter un vice de matière ou de fabrication (frais de main-d'œuvre à votre charge).
- ❑ **Garantie, pour toute la durée de vie, contre la rouille perforante de l'acier inoxydable :** Bosch réparera ou remplacera tout composant s'étant avéré présenter un vice de matière ou de fabrication (frais de main-d'œuvre à votre charge).

Produit ayant dépassé la période de garantie : Bosch n'est aucunement tenu, par la loi ou autrement, de vous fournir toutes concessions, y compris réparations, tarifs professionnels ou de remplacer le produit une fois que la présente garantie a expiré.

Exclusions de garantie : La couverture par la garantie, décrite dans les présentes conditions, ne s'applique pas à tous défauts ou dommages non directement imputables à Bosch et comprenant (énumération non exhaustive), une ou plusieurs des circonstances suivantes : (1) utilisation du produit d'une manière quelconque différant de son utilisation normale, habituelle et prévue (y compris – énumération non exhaustive – toute forme d'usage commercial, d'utilisation ou stockage en plein air d'un produit prévu pour l'intérieur, l'utilisation du produit dans un avion ou sur un bateau) ; (2) par l'une des deux parties : la préméditation, négligence, l'usage inadéquat, abusif, une utilisation incorrecte, une absence de maintenance, une installation incorrecte ou négligente, la manipulation, l'absence de respect des instructions d'utilisation, le traitement inadéquat, des opérations de SAV non autorisées (y compris le « bricolage » par soi-même ou l'ouverture de l'appareil pour en examiner les organes internes) ; (3) ajustage, altération ou modification de toute sorte ; (4) manquement à se conformer à tout code, règlement ou loi applicable dans l'État, localement, dans la ville ou le comté et visant les domaines électricité, plomberie et bâtiment, y compris le manquement à installer le produit en stricte conformité avec les codes et règlements locaux anti-incendie et sur le bâtiment ; (5) l'usure normale à l'usage, le renversement de nourriture, les accumulations de liquide, de matière grasse, ou de toutes autres substances qui s'accumulent sur, dans le produit ou autour de lui ; et (6) toutes forces et facteurs externes, de la Nature et/ou environnementaux, y compris – énumération non exhaustive – la pluie, le vent, le sable, les inondations, incendies, les glissements de terrain, températures en-dessous du point de congélation, une humidité excessive ou une exposition prolongée à l'humidité, la foudre, les pics de tension, les défauts structurels entourant l'appareil et la force majeure. En pareil cas, Bosch sera dégagé de toute responsabilité quelle qu'elle soit envers les dommages subis par les biens environnant y compris la cavité, les sols, plafonds et autres structures ou objets entourant le produit. Sont également exclus de la garantie les rayures, plieurs, bosses mineures et dégâts cosmétiques sur les surfaces externes et pièces exposées ; les produits dont les numéros de série ont été modifiés, effacés ou retirés ; les visites du SAV pour vous enseigner à utiliser le produit, ou les visites après lesquelles il s'avère que le produit fonctionne parfaitement bien ; les problèmes de rectification de l'installation (vous êtes seul(e) responsable de toute structure ou encadrement du produit, y compris tous les équipements électriques, de plomberie ou équipements divers de connexion électrique, de ce que les fondations / le plancher soient adéquats, et de toute modification

comprenant – énumération non exhaustive – les placards, murs, planchers, étagères, etc.) ; et le réarmement / remontage des disjoncteurs et fusibles.

DANS LES LIMITES AUTORISÉES PAR LA LOI, LA PRÉSENTE GARANTIE DÉFINIT LES SOLUTIONS EXCLUSIVES DONT VOUS BÉNÉFICIEZ RELATIVEMENT AU PRODUIT, QUE LA RÉCLAMATION SOIT FONDÉE SUR UN CONTRAT OU UN ACTE DÉLICIEUX (Y COMPRIS LA RESPONSABILITÉ STRICTE OU LA NÉGLIGENCE) OU SUR AUTRE CHOSE. LA PRÉSENTE GARANTIE REMPLACE TOUTES LES AUTRES GARANTIES, EXPLICITES OU IMPLICITES. TOUTE GARANTIE LÉGALE IMPLICITE, DE COMMERCIALISABILITÉ ET D'ADÉQUATION À UN BUT PRÉCIS OU D'APTITUDE DIVERSE, NE PRENDRA EFFET QUE POUR LA PÉRIODE PENDANT LAQUELLE LA PRÉSENTE GARANTIE LIMITÉE EXPRESSE EST EN VIGUEUR. EN AUCUN CAS LE FABRICANT NE SERA RESPONSABLE DE PERTES CONSÉCUTIVES, SPÉCIALES, INCIDENTES, INDIRECTES, DU MANQUE À GAGNER ET/OU DE DOMMAGES ET INTÉRÊTS DISSUASIFS, PERTES OU DÉBOURS, Y COMPRIS – ÉNUMÉRATION NON EXHAUSTIVE – LE TEMPS NON TRAVAILLÉ, LES REPAS À L'HÔTEL ET/OU AU RESTAURANT, LES FRAIS DE RÉAMÉNAGEMENT DÉPASSANT LES DOMMAGES DIRECTS INDISCUITABLEMENT PROVOQUÉS PAR BOSCH, OU AUTREMENT. CERTAINS ÉTATS NE PERMETTANT PAS D'EXCLURE OU LIMITER LES DOMMAGES INCIDENTS OU CONSÉCUTIFS, ET CERTAINS ÉTATS NE PERMETTENT PAS DE LIMITER LA DURÉE DE LA GARANTIE IMPLICITE, LES LIMITATIONS QUI PRÉCÈDENT PEUVENT NE PAS S'APPLIQUER À VOTRE CAS. CETTE GARANTIE VOUS CONFÈRE DES DROITS LÉGAUX SPÉCIFIQUES, ET VOUS POUVEZ ÉGALEMENT DÉTENIR DES DROITS VARIANT D'UN ÉTAT À L'AUTRE. Toute tentative d'altérer, modifier ou amender la présente garantie sera nulle si elle n'a pas été autorisée par écrit par un cadre membre de BSH.

Comment bénéficier du service Garantie : pour obtenir les prestations de service sous garantie couvrant votre produit, veuillez contacter votre centre de SAV Bosch agréé le plus proche.
BSH Home Appliances
5551 McFadden Avenue, Huntington Beach, CA 92649 / 800-944-2904

Índice

INSTRUCCIONES IMPORTANTES DE SEGURIDAD	52
ADVERTENCIA	52
Conexión eléctrica	52
Instrucciones de puesta a tierra	52
Peligro que un niño quede encerrado	52
Al usar el aparato	52
Seguridad técnica	53
Importante	53
Disposiciones respecto del CFC	53
Definiciones	53
Observaciones de carácter general	53
Enhorabuena	53
Instrucciones de instalación	54
Lugar de emplazamiento	54
Base de apoyo	54
Prestar atención a la temperatura del entorno y la ventilación del aparato	54
Conexión a la red de alimentación	55
Conexión del agua	55
Instalación y conexión del aparato a las redes eléctrica y de agua	55
Nivelar el aparato	55
Cotas y medidas del aparato	56
Ángulo de apertura de la puerta	56
Desmontar las puertas y los tiradores	57
Familiarizándose con la unidad	58
Cuadro de mandos/Pantalla de visualización	59
Conectar el aparato	60
Ajustar la temperatura	60
Compartimento frigorífico	60
Compartimento de congelación	60
Alarma acústica	60
Alarma puerta abierta	60
Alarma temperatura demasiado elevada	60
Enfriamiento ultrarrápido	61
Congelación ultrarrápida	61
Ajustar la magnitud de la temperatura	61
Compartimento frigorífico	62
Utilizar el compartimento frigorífico	62
Puntos a tener en cuenta al colocar los alimentos en el aparato:	62
Compartimento para la verdura con filtro humidificador	62
Capacidad útil	62
Posibilidad de variar la posición del equipo interior	62
Bandejas	62
Estantes de la puerta	62
Compartimento de congelación	63
Calendario de congelación	63
Congelar alimentos frescos	63
Capacidad de congelación	63
Calendario de congelación	63
Puntos a tener en cuenta al comprar alimentos ultracongelado	64

Descongelar los alimentos	64
Dispensador de hielo y agua	64
Puntos a tener en cuenta al poner el aparato en funcionamiento	64
Advertencias relativas al funcionamiento del dispensador de hielo	64
Observaciones relativas a la calidad del agua potable	65
Extraer hielo/agua	65
Paro del fabricante de hielo	65
Desactivación del expendio de hielo y agua	65
Filtro de agua	66
Advertencias importantes sobre el filtro del agua	66
Sustituir el filtro de cartucho	66
Especificaciones técnicas y prestaciones	66
Consejos prácticos para ahorrar energía eléctrica	67
Ruidos de funcionamiento del aparato	67
Ruidos de funcionamiento normales del aparato	67
Ruidos que se pueden evitar fácilmente	68
Al desescarchar el aparato	68
Compartimento de congelación	68
Compartimento frigorífico	68
Desconexión y paro del aparato	68
Desconectar el aparato	68
Paro del aparato	68
Al limpiar el aparato	68
Limpieza de la unidad	68
Limpiar el filtro humidificador	69
Limpiar la bandeja colectora del agua	69
Limpiar el depósito para los cubitos de hielo	69
Iluminación interior	69
Iluminación (diodos luminosos)	69
Cambio de las bombillas eléctricas	70
Búsqueda de fallos	70
Dispensador de hielo y agua	72
Autocomprobación del aparato	73
Iniciar el ciclo de autocomprobación del aparato	73
Concluir el ciclo de autocomprobación	73
Servicio técnico	73
GARANTÍA LIMITADA DEL PRODUCTO	74

INSTRUCCIONES IMPORTANTES DE SEGURIDAD

¡LEA Y GUARDE ESTAS INSTRUCCIONES!

ADVERTENCIA

Practique las precauciones básicas de seguridad al utilizar este electrodoméstico, incluyendo las siguientes:

1. Utilice el electrodoméstico exclusivamente para las funciones para las que ha sido previsto, según se describe en este manual para el usuario.
2. Antes de usarlo, este refrigerador debe instalarse adecuadamente de acuerdo con las instrucciones de instalación.
3. No permita que los niños se trepen, cuelguen o se paren sobre los estantes del refrigerador. Pueden lesionarse seriamente y dañar el refrigerador.
4. Una vez en operación, no toque las superficies frías de su refrigerador, especialmente si están húmedas o mojadas. La piel puede adherirse a las superficies extremadamente frías.
5. No almacene o utilice gasolina u otros líquidos que produzcan vapores inflamables en las cercanías de este u otros electrodomésticos.
6. En refrigeradores con producción automática de hielo, evite tocar las partes móviles del mecanismo eyector o bien con el elemento calefactor ubicado en el fondo del dispositivo productor de hielo. No coloque los dedos o las manos sobre el mecanismo productor de hielo mientras el refrigerador esté conectado a la red.
7. Desconecte el refrigerador antes de limpiarlo o efectuar reparaciones.
NOTA: recomendamos insistentemente hacer realizar los trabajos de servicio técnico por personal especializado.

8. Antes de reemplazar una lamparilla quemada, coloque el conmutador de on/off en OFF, a fin de evitar el contacto con un objeto bajo tensión.
9. Una lamparilla quemada puede romperse al intentar cambiarla. NOTA: colocar el control de temperatura en OFF no desconecta la tensión del circuito de iluminación.
10. No vuelva a congelar alimentos que estuvieron congelados anteriormente y que se han descongelado por completo.

Conexión eléctrica

El electrodoméstico se entrega con un conductor de alimentación de 3 cables, listado según UL.

El electrodoméstico requiere de un tomacorriente de 3 conductores. Este tomacorriente debe instalarlo un electricista con la licencia debida.

Instrucciones de puesta a tierra

Este electrodoméstico debe conectarse a tierra.

En caso de un fallo en el funcionamiento o una rotura, la conexión a tierra reduce el riesgo de descargas eléctricas, proveyendo una vía de resistencia menor para la corriente eléctrica.

Una conexión inadecuada del conductor de puesta a tierra puede ser causa de una descarga eléctrica. Haga controlar el electrodoméstico por un electricista calificado o personal del servicio técnico si tiene dudas respecto de una conexión a tierra correcta.

Algunas prescripciones locales pueden exigir un conductor de puesta a tierra separado. En estos casos el cable de puesta a tierra accesorio, la sujeción y el tornillo deben adquirirse por separado. Nunca conecte a tierra el electrodoméstico a través de tuberías de plástico, de gas o de agua.

Peligro que un niño quede encerrado

El encerramiento y asfixia de niños no son problemas del pasado. Productos descompuestos o abandonados en el refrigerador, también son peligrosos... Aún si se los abandona «por unos pocos días».

Si usted se quiere deshacer de su refrigerador, rogamos seguir estas instrucciones para evitar accidentes. Antes de deshacerse de su viejo refrigerador:

- Quite las puertas.
- Deje los estantes en su lugar, para que los niños no puedan trepar al interior.

Al usar el aparato

No usar aparatos eléctricos en el interior de la unidad (por ejemplo calefacciones, fabricante de hielo, etc.).

¡Existe peligro de explosión!

¡No utilizar ningún tipo de limpiadora de vapor para desescarchar o limpiar la unidad! El vapor caliente podría penetrar en interior del aparato, accediendo a los elementos conductores de corriente y provocar cortocircuitos.

¡Peligro de descarga eléctrica!

No guardar productos combinados con agentes o gases propelentes (por ejemplo sprays) ni materias explosivas en el aparato.

¡Existe peligro de explosión!

No utilizar el zócalo, los cajones o las puertas de la unidad como pisaderas o reposapiés.

Antes de limpiar el aparato o de sustituir una lámpara defectuosa deberá desconectarse éste de la red eléctrica, extrayendo a tal efecto el enchufe de la toma de corriente o desactivando el fusible.

¡No tirar del cable de conexión del aparato, sino asirlo siempre por el cuerpo del enchufe!

Tenga presente que las bebidas con un alto grado de alcohol necesitan envases con cierre hermético, debiéndose colocar siempre en posición vertical.

No permitir que las grasas y aceites entren en contacto con los elementos de plástico del interior del aparato o la junta de la puerta. El plástico y la junta de goma son materiales muy susceptibles a la porosidad.

No obstruir ni cubrir nunca las rejillas de ventilación y aireación del aparato.

No guardar en el compartimento de congelación botellas ni tarros o latas que contengan líquidos, particularmente bebidas gaseosas.

¡Las botellas y latas pueden estallar!

No introducir en la boca directamente los helados, polos o cubitos de hielo extraídos del congelador.

¡Peligro de quemaduras!

¡Evitar el contacto prolongado de las manos con los alimentos congelados, las capas de hielo o escarcha, o los tubos del evaporador!

¡Peligro de quemaduras a causa de las bajas temperaturas!

Seguridad técnica

La sustitución del cable de conexión a la red eléctrica del aparato, así como cualquier otra reparación que fuera necesario efectuar en éste, sólo podrán ser ejecutadas por técnicos especializados de la marca. La instalación o reparación efectuadas de modo erróneo o incorrecto pueden implicar serios peligros para el usuario.

Solo deben utilizarse repuestos originales provenientes del fabricante. Solo en este caso el fabricante garantiza que se cumplan las exigencias de seguridad.

Importante

Guarde estas instrucciones para el uso correspondiente de los inspectores regionales. Observe todas las reglamentaciones y ordenanzas gubernamentales.

El presente aparato sólo podrá ser manejado por personas cuyas facultades físicas o sensoriales estuvieran disminuidas o que no poseyeran los suficientes conocimientos para ello en presencia de otras personas o bajo su instrucción directa.

Disposiciones respecto del CFC

Su refrigerador antiguo puede estar equipado con un sistema de refrigeración que utiliza CFC (clorofluorocarbono). Se cree que el CFC daña el ozono contenido en la estratosfera.

Si usted se deshace de su refrigerador antiguo, asegúrese que el CFC se quite del mismo, para ser tratado de acuerdo con las disposiciones vigentes, por personal debidamente calificado. Si usted libera el agente refrigerador CFC intencionalmente, puede ser objeto de penalidades y risión por infracciones a la legislación de medio ambiente.

Definiciones

⚠ ADVERTENCIA ⚠

ADVERTENCIA – Esto señala que hay peligro de muerte o lesiones graves ante el incumplimiento de esta advertencia.

⚠ ATENCIÓN ⚠

ATENCIÓN – Esto señala que pueden resultar lesiones menores o daños debido al incumplimiento de esta advertencia.

NOTA

NOTA – Esto señala que pueden resultar daños debido al incumplimiento de esta advertencia.

i Este símbolo se utiliza para llamar la atención del usuario respecto de algo en particular.

Observaciones de carácter general

El aparato es adecuado

- para refrigerar alimentos,
- para congelar alimentos,
- la preparación de cubitos de hielo,
- para suministrar agua.

El aparato está destinado al uso en el ámbito doméstico.

El aparato está dotado de un dispositivo de desparasitaje según la directiva de la Unión Europea 89/336/EEC.

La estanqueidad del circuito de refrigeración viene verificada de fábrica.

Enhorabuena

Con la compra de su nuevo frigorífico americano se ha decidido usted por un electrodoméstico moderno de alta calidad.

Su frigorífico americano destaca particularmente por su escaso consumo energético.

Todos los aparatos nuestros son sometidos a unos rigurosos controles de funcionamiento y acabado general, por lo que abandonan nuestra fábrica en perfecto estado.

Para cualquier duda o pregunta que tuviera usted, en particular en lo relacionado con la instalación y montaje del aparato, nuestro Servicio de Asistencia Técnica está a su disposición.

Una información más detallada, así como una selección de nuestros productos, figura en nuestra página web.

Rogamos leer estas instrucciones de funcionamiento y de instalación y toda la información contenida en el electrodoméstico y obrar de acuerdo con ellas.

Guarde todos los documentos para su uso posterior o para el propietario siguiente.

Instrucciones de instalación

⚠️ ADVERTENCIA ⚠️

El aparato es muy pesado.

A causa del elevado peso y las dimensiones del aparato y con objeto de evitar o reducir a un mínimo los riesgos de daños o lesiones personales o desperfectos en el aparato, se requieren como mínimo dos personas para garantizar una instalación segura del mismo.

El incumplimiento de estas instrucciones puede ser causa de la muerte o incendios.

⚠️ ADVERTENCIA ⚠️

No instale el electrodoméstico:

- a la intemperie,
- en un ambiente donde gotee agua,
- en ambientes con peligro de heladas.

Lugar de emplazamiento

⚠️ ADVERTENCIA ⚠️



¡Existe peligro de explosión!

No guardar productos combinados con agentes o gases propelentes (por ejemplo sprays) ni materias explosivas en el aparato.

El incumplimiento de estas instrucciones puede ser causa de la muerte, incendios o explosiones.

El lugar más adecuado para el emplazamiento del aparato es una habitación seca, dotada de una buena ventilación. Recuerde además que el aparato no debe instalarse de forma que reciba directamente los rayos del sol, ni encontrarse tampoco próximo a focos activos de calor tales como cocinas, calefacciones, etc.

No obstante, si esto último fuera inevitable, se habrá de proteger la unidad con un panel aislante adecuado, o bien observar las siguientes distancias mínimas de separación con respecto a la fuente de calor en cuestión:

- Cocinas eléctricas o de gas: $1\frac{1}{4}$ " (3 cm)
- Cocinas de gas-oil o de carbón: $11\frac{3}{16}$ " (30 cm)

En caso de instalar el aparato junto a otra unidad de refrigeración o congelación, deberá observarse una distancia mínima de separación lateral de 1" (25 mm), a fin de evitar la formación de agua de condensación.

En caso de colocar por encima del aparato un paramento o armario, deberá observarse una rendija de $1\frac{1}{4}$ " (30 mm) a fin de poder retirar el aparato de su emplazamiento en caso de necesario.

El aire recalentado en la pared posterior del aparato debe poder escapar libremente del mismo.

Base de apoyo

El aparato es muy pesado. El peso en vacío del aparato figura en la tabla correspondiente.

Modelo con dispensador de hielo 317 lbs / 143 kg

El suelo en el lugar de emplazamiento del aparato deberá poseer una suficiente capacidad de sustentación. En caso necesario deberá reforzarse adecuadamente.

Con objeto de poder abrir las puertas hasta el tope, deberán observarse las distancias laterales mínimas prescritas (véase el capítulo «Cotas y medidas del aparato») en caso de instalarlo en una esquina del recinto o hueco de montaje.

En caso de que los muebles adyacentes de la cocina poseyeran una profundidad superior a los $22\frac{3}{8}$ " (60 cm), deberán observarse unas distancias laterales mínimas a fin de poder aprovechar el máximo ángulo de apertura de las puertas (véase el capítulo «Ángulo de apertura de la puerta»).

Prestar atención a la temperatura del entorno y la ventilación del aparato

Temperatura de la habitación

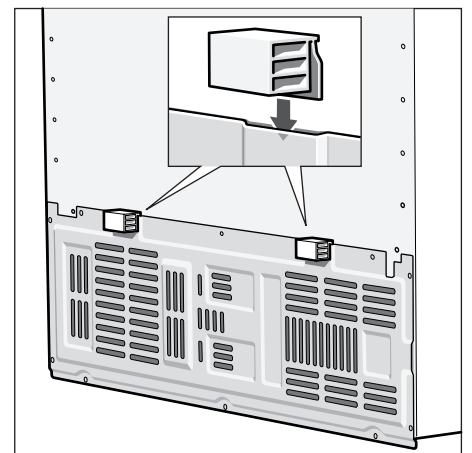
La clase climática a la que pertenece el aparato figura en la placa de características del mismo. E indica a qué temperatura del entorno puede funcionar el aparato.

Clase climática	Temperatura del entorno admisible
SN	+50 °F to 89.6 °F (+10 °C to 32 °C)
N	+60.8 °F to 89.6 °F (+16 °C to 32 °C)
ST	+60.8 °F to 100.4 °F (+16 °C to 38 °C)
T	+60.8 °F to 109.4 °F (+16 °C to 43 °C)

Ventilación

En ningún caso deben cubrirse las aberturas de ventilación en la pared posterior.

De lo contrario, el aparato tendrá que aumentar su rendimiento, provocando un consumo de energía eléctrica elevado e inútil.



Colocar los distanciadores suministrados con el aparato en los soportes provistos a dicho efecto en la parte posterior del mismo, a fin de observar la distancia mínima prescrita respecto a la pared.

Conexión a la red de alimentación

⚠ ADVERTENCIA ⚠

Peligro de descargas eléctricas

- Conéctelo a un tomacorrientes de 3 conductores con conexión a tierra.
- No desconecte el contacto de toma de tierra.
- No utilice adaptadores.
- No utilice cables de prolongación.

El incumplimiento de estas instrucciones puede ser causa de la muerte, incendios o descargas eléctricas.

La conexión inadecuada de la puesta a tierra del equipo puede causar descargas eléctricas. Haga controlar el electrodoméstico por un electricista calificado o un técnico de servicio si tiene dudas respecto de la correcta conexión a tierra del electrodoméstico.

Se requiere una fuente de energía eléctrica de 115 Voltios, 60 Hz., CA solamente y con fusibles de 15 ó 20 amperios, debidamente conectados a tierra.

El electrodoméstico se provee con un cable de alimentación de 3 conductores, listado según UL.

El electrodoméstico necesita de un tomacorriente de 3 conductores.

El tomacorriente debe haber sido instalado por un electricista autorizado.

Conexión del agua

La conexión a la red de agua sólo puede ser efectuada por un fontanero especialista, de conformidad a las normas y disposiciones de la empresa local de abastecimiento de agua.

Se requiere de una conexión de agua fría, para el funcionamiento del generador automático de hielo. La presión del agua debe estar comprendida entre 29 a 116 psi (2,0 a 8,0 bar).

La instalación debe cumplir con las reglamentaciones de tubería de agua locales y las leyes nacionales correspondientes.

Debe instalarse una válvula de cierre en la conexión de agua del electrodoméstico.

La válvula de cierre no debe encontrarse detrás del electrodoméstico. Se recomienda instalar dicha válvula en la cercanía inmediata del electrodoméstico (unidad base) o en otra zona de fácil acceso.

NOTA

El diámetro máximo externo de la tubería de agua (sin las piezas de unión) es de $1\frac{3}{32}$ " (10 mm).

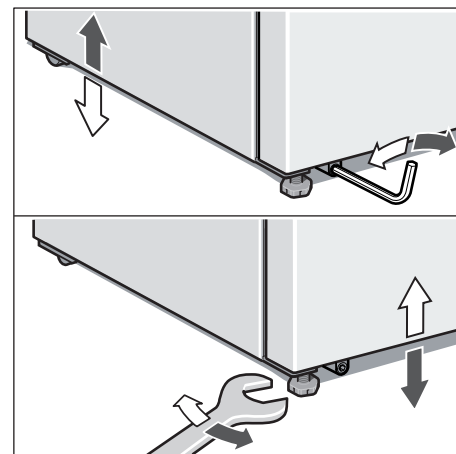
Instalación y conexión del aparato a las redes eléctrica y de agua

- ❑ Encarga la instalación y conexión del aparato a un especialista del ramo, de conformidad a las presentes instrucciones de montaje.
- ❑ Tras colocar el aparato en su emplazamiento definitivo deberá dejarse reposar éste durante aprox. 1 hora antes de ponerlo en funcionamiento, dado que durante el transporte del aparato puede ocurrir que el aceite contenido en el compresor penetre en el circuito del frío.
- ❑ Limpiar el interior del aparato antes de su puesta en funcionamiento inicial (véase el capítulo «Al limpiar el aparato»).
- ❑ Efectuar la conexión del aparato a la red de agua ANTES que a la red eléctrica.
- ❑ Observar estrictamente las normas nacionales vigentes del sector, así como las normas y disposiciones de las empresas locales de abastecimiento de electricidad y agua.
- ❑ Retirar los seguros de transporte de las bandejas y baldas de vidrio (tapones de plástico) sólo una vez que se ha instalado el aparato en su emplazamiento definitivo.

Nivelar el aparato

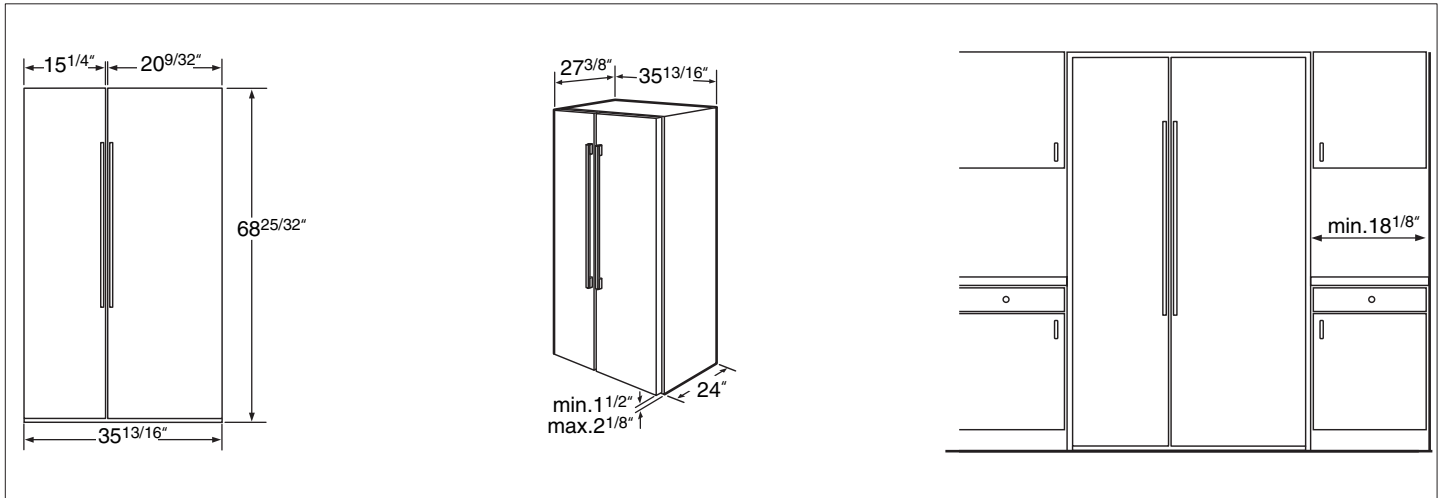
Para que el aparato funcione correctamente, tiene que estar colocado en posición perfectamente horizontal. Alinearlo con ayuda de un nivel de burbuja.

La instalación desnivelada del aparato puede dar lugar a fugas de agua en el dispensador de hielo, a la producción de cubitos de hielo de forma irregular o a que las puertas no cierren correctamente.

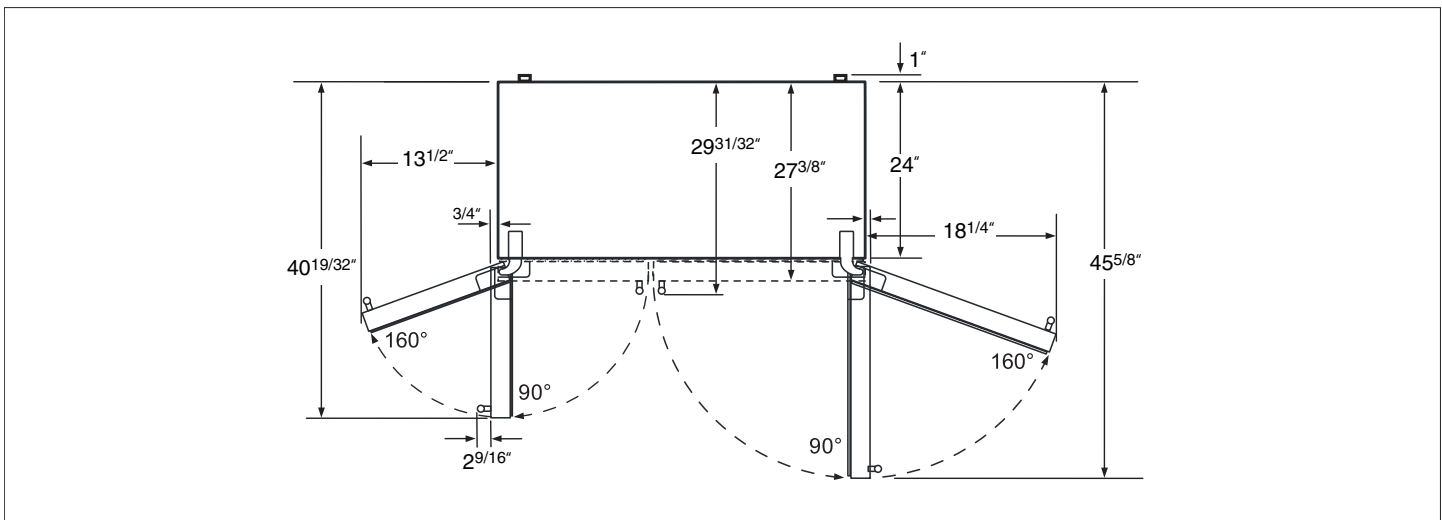


- ❑ Instalar el aparato en su emplazamiento definitivo.
- ❑ Nivelar los soportes delanteros con ayuda de una llave hexagonal.
- ❑ Nivelar los soportes traseros con una llave de Allen.

Cotas y medidas del aparato



Ángulo de apertura de la puerta

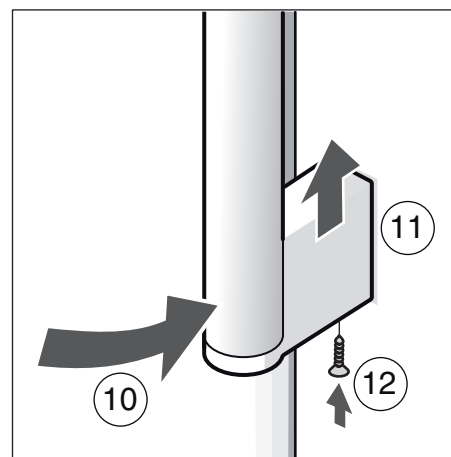
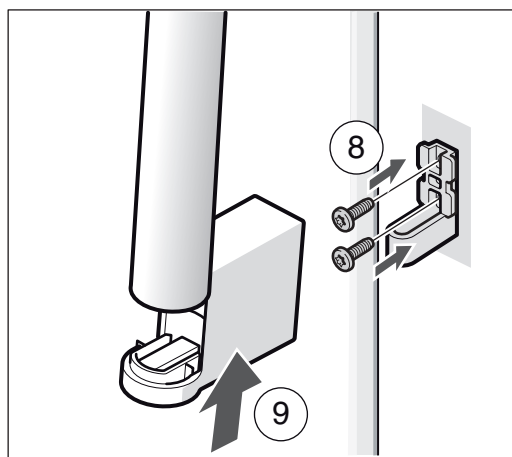
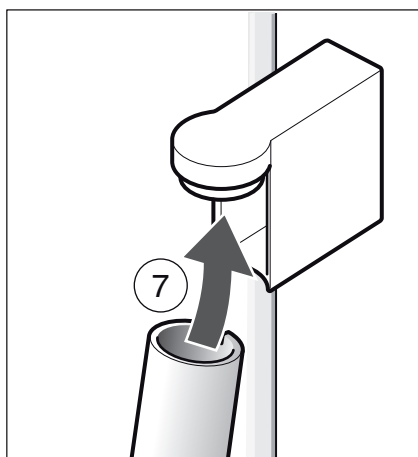
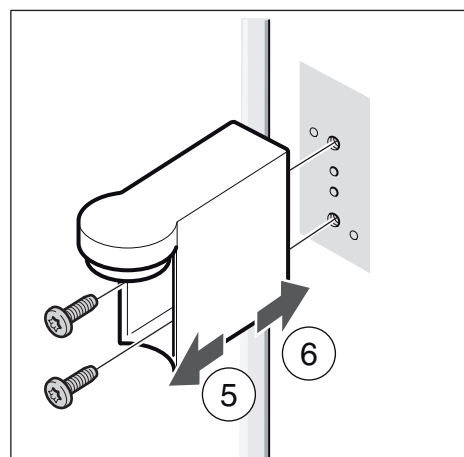
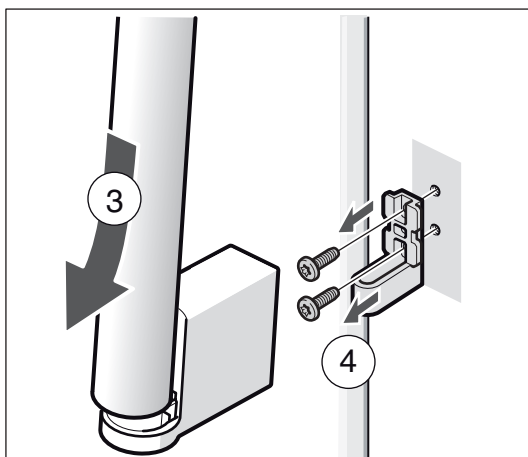
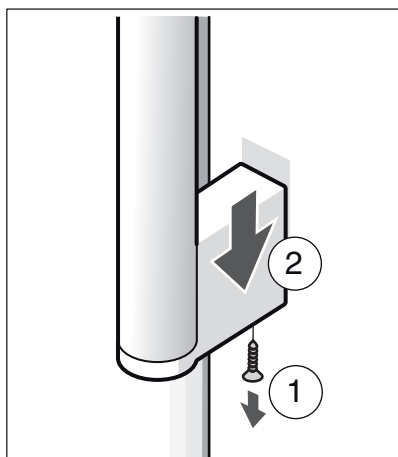


Desmontar las puertas y los tiradores

En caso de que el aparato no cupiera a través de la puerta de la vivienda, se pueden desmontar los tiradores de las puertas del mismo.

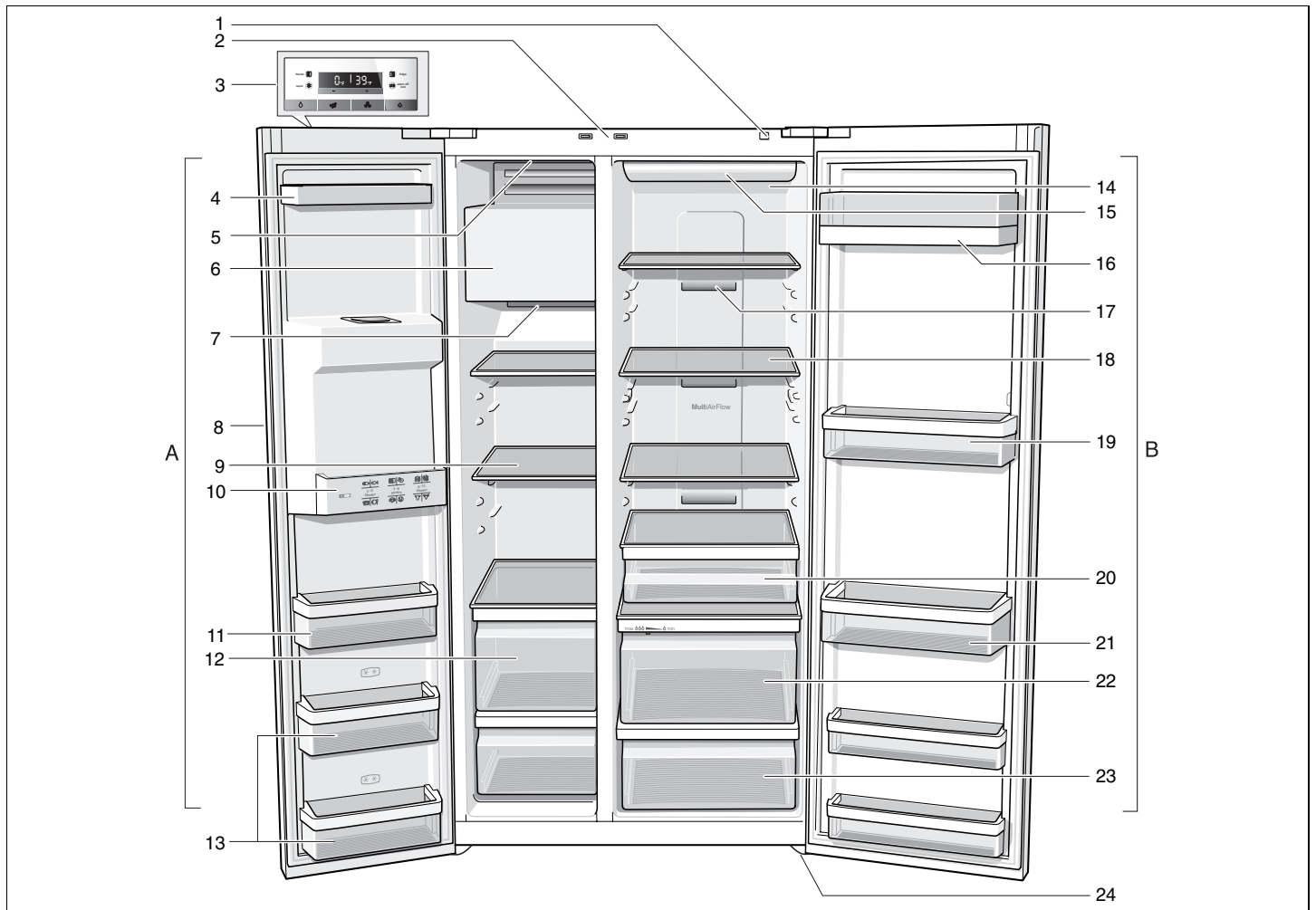
⚠ ATENCIÓN ⚠

El desmontaje de las puertas del aparato sólo lo deberá realizar un técnico del Servicio de Asistencia Técnica Oficial de la marca.



Familiarizándose con la unidad

Las presentes instrucciones de uso son válidas para varios modelos de aparato. Por ello es posible que las ilustraciones muestren detalles y características de equipamiento que no concuerdan con las de su aparato concreto.



A Compartimento de congelación

ajustable de 7 °F (-14 °C)
a -11 °F (-24 °C)

B Compartimento frigorífico

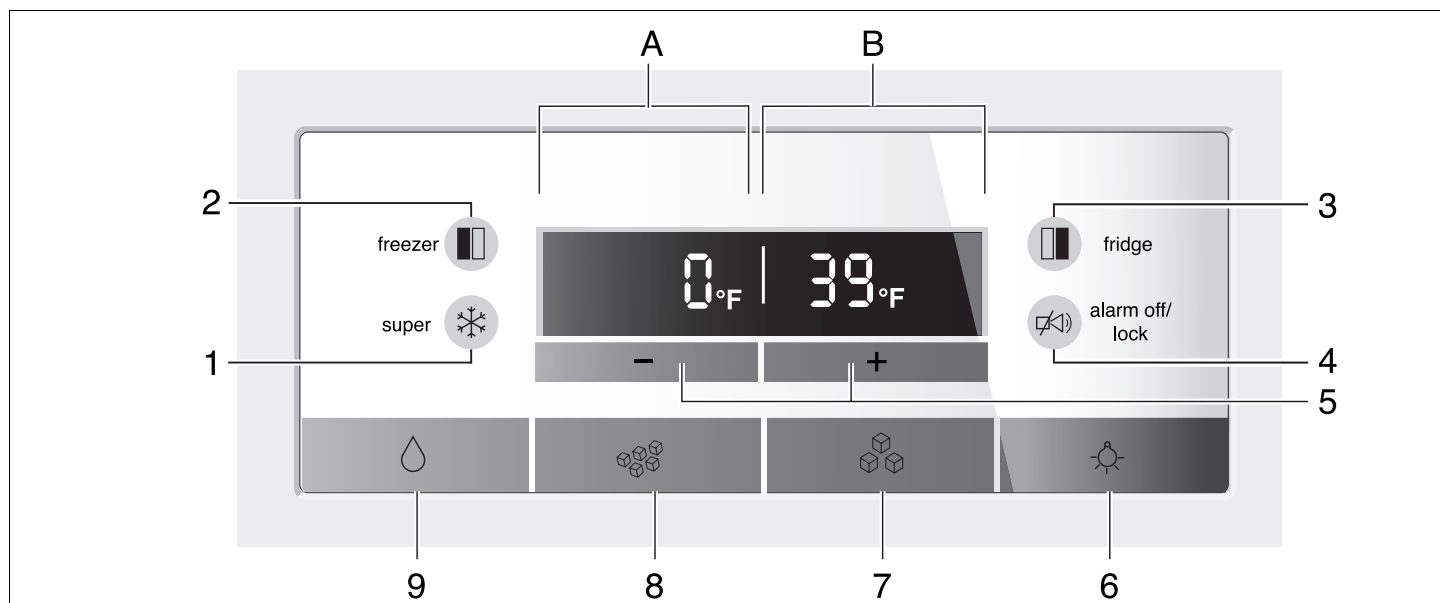
ajustable de 36 °F (+2 °C)
a 46 °F (+8 °C)

- | | | |
|---|--|--|
| <p>1 Tecla para Conexión/Desconexión</p> <p>2 Interruptor de la iluminación de los compartimentos frigorífico y de congelación</p> <p>3 Cuadro de mandos/Pantalla de visualización</p> | <p>4 Soportes de la puerta</p> <p>5 Interruptor de conexión y desconexión del fabricante de hielo</p> <p>6 Fabricador de hielo/Depósito de los cubitos de hielo</p> <p>7 Abertura de salida del aire</p> <p>8 Dispensador de hielo y agua</p> <p>9 Bandejas de vidrio – Compartimento de congelación</p> <p>10 Calendario de congelación</p> <p>11 Soportes de la puerta</p> <p>12 Cajones de congelación</p> <p>13 Estante (compartimento de dos estrellas) en la puerta interior del congelador para guardar por breve período alimentos y helados</p> | <p>14 Filtro de partículas/ Filtro de agua</p> <p>15 Iluminación del compartimento frigorífico</p> <p>16 Balcón para guardar la mantequilla y el queso</p> <p>17 Abertura de salida del aire</p> <p>18 Bandejas de vidrio – Compartimento frigorífico</p> <p>19 Soportes de la puerta</p> <p>20 Cajón para alimentos y platos finos</p> <p>21 Botellero grande</p> <p>22 Cajones para guardar la verdura con filtro humidificador</p> <p>23 Cajones para guardar la verdura</p> <p>24 Soportes roscados</p> |
|---|--|--|

* según el modelo concreto

Cuadro de mandos/Pantalla de visualización

El cuadro de mandos y la pantalla de visualización se encuentran reunidos en una sola pantalla táctil en la puerta del aparato. Cada vez que se pulsa un mando se activa la función correspondiente.



1 Tecla «super»

Activa las funciones «Super-congelación» y «Congelación ultrarrápida» (véase el capítulo «Enfriamiento ultrarrápido»).

2 Tecla «freezer»

A fin de efectuar ajustes para el gabinete congelador, accionar el pulsador, hasta que en el display se vea la leyenda «freezer».

3 Tecla «fridge»

A fin de efectuar ajustes para el gabinete refrigerador, accionar el pulsador, hasta que en el display se vea la leyenda «fridge».

4 Tecla «alarm/lock»

Esta tecla

- desactiva la señal acústica de alarma (véase el capítulo «Alarma acústica»),
- activa y desactiva el bloqueo de la tecla.

Con la función «lock» activa, no es posible efectuar ajustes a través del panel de manejo.

Excepción del bloqueo de la tecla: En caso de producirse una señal de alarma, la tecla «alarm/lock» se puede pulsar para desactivar la alarma acústica.

Para activar o desactivar el bloqueo de la tecla, pulsar la tecla durante cinco segundos. Estando activada la función aparece iluminada en la pantalla de visualización la leyenda «lock».

5 Teclas de ajuste «+» y «-»

Mediante estas teclas se ajustan las temperaturas para las distintas zonas climáticas del aparato.

6 Tecla para conexión y desconexión de la iluminación del dispensador de hielo y agua

7 Tecla Cubitos de hielo

8 Tecla Hielo picado

9 Tecla Agua

A Display del gabinete congelador

B Display del gabinete refrigerador

Conectar el aparato

- ❑ Conectar el aparato a través de la tecla Conexión/Desconexión.
- ❑ Pulsar la tecla «alarm/lock». La alarma acústica está desactivada.

i La indicación «alarm» desaparece de la pantalla, tan pronto se ha alcanzado como la temperatura ajustada.

Las temperaturas preajustadas (ajustes de fábrica) se alcanzan normalmente al cabo de varias horas de funcionamiento. No introducir alimentos en el aparato antes de que haya transcurrido este período de tiempo.

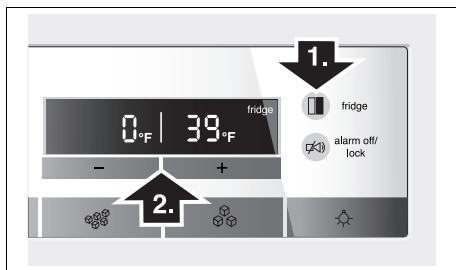
El aparato viene ajustado de fábrica a las siguientes temperaturas:

- Compartimento frigorífico: 39 °F (+4 °C)
- Compartimento de congelación: 0 °F (-18 °C)

Ajustar la temperatura

Compartimento frigorífico

1. Acciona el pulsador «fridge» hasta que en el display aparece la leyenda «fridge».
2. Seleccionar la temperatura deseada mediante las teclas «+» (más calor) o «-» (más frío).



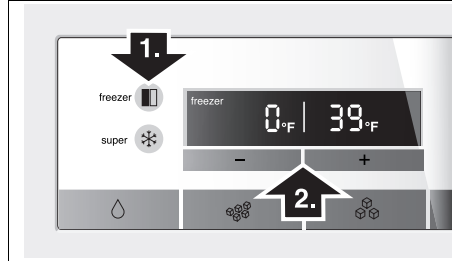
Los ajustes se efectúan en pasos de una grado.

La temperatura del compartimento frigorífico se puede ajustar de 36 °F (+2 °C) hasta 46 °F (+8 °C).

Los alimentos delicados no deberán guardarse a una temperatura superior (más calor) a 39 °F (4 °C).

Compartimento de congelación

1. Accionar el pulsador «freezer» hasta que en el display aparece la leyenda «freezer».
2. Seleccionar la temperatura deseada mediante las teclas «+» (más calor) o «-» (más frío).



Los ajustes se efectúan en pasos de una grado.

La temperatura del compartimento de congelación se puede ajustar de 7 °F (-14 °C) hasta -11 °F (-24 °C).

El último valor mostrado en pantalla es memorizado por el sistema.

Alarma acústica

La alarma acústica se puede producir en los siguientes casos.

Alarma puerta abierta

Se activa en caso de que una de las puertas del aparato permanezca abierta durante más de un minuto. La alarma acústica se desactiva cerrando la puerta.

Pulsando la tecla «alarm/lock» se desactiva la alarma acústica.

Alarma temperatura demasiado elevada

Esta alarma se produce cuando la temperatura en el interior del compartimento de congelación o frigorífico es demasiado elevada (calor) y los alimentos corren peligro de deteriorarse.

La alarma acústica y óptica puede activarse, sin significar por ello ningún peligro de deterioro inmediato de los alimentos, en los casos siguientes:

- Al poner en marcha el aparato.
- Al introducir grandes cantidades de alimentos frescos en el compartimento de congelación.

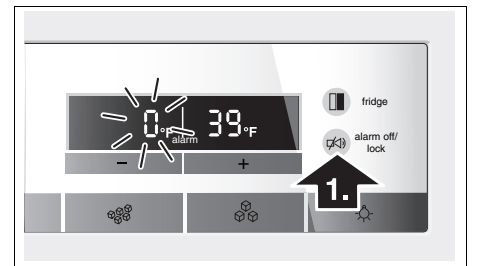
Compartimento de congelación

⚠ ATENCIÓN ⚠

Los alimentos que se hayan descongelado o hayan empezado a descongelarse, sólo se podrán volver a congelar tras asarlos, freírlos, hervirlos o preparar con ellos platos cocinados. En este caso no se deberá agotar al máximo el tiempo de caducidad de los productos.

Centellea la temperatura ajustada para el gabinete congelador y se visualiza la leyenda «alarm».

Pulsando la tecla «alarm/lock» se desactiva la alarma acústica.



En la pantalla de visualización aparece durante 10 segundos la temperatura más elevada (calor) registrada en el compartimento de congelación, mostrándose a continuación la temperatura ajustada.

La indicación «alarm» se apaga tan pronto como se ha alcanzado la temperatura ajustada.

Compartimento frigorífico

⚠ ATENCIÓN ⚠

En caso de haberse registrado una temperatura demasiado elevada en el interior del compartimento frigorífico, se aconseja cocinar los alimentos antes de su consumo. En caso de duda, no deberán consumirse los alimentos crudos.

En el display del gabinete refrigerador aparece la leyenda «alarm».

Pulsando la tecla «alarm/lock» se desactiva la alarma acústica.

Enfriamiento ultrarrápido

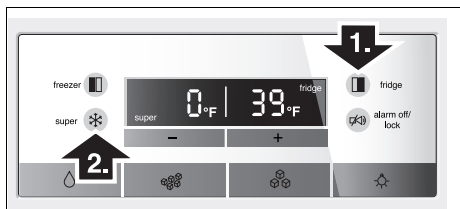
Mediante esta función se enfría el compartimento frigorífico durante aprox. 6 horas hasta alcanzar la temperatura más baja posible, conmutando a continuación a la temperatura ajustada con anterioridad a la activación de la opción.

La función de enfriamiento ultrarrápido es aconsejable para los siguientes casos:

- Antes de introducir grandes cantidades de alimentos.
- Desear enfriar rápidamente bebidas.

Conectar la función de enfriamiento ultrarrápido

1. Acciona el pulsador «fridge» hasta que en el display aparece la leyenda «fridge».
2. Pulsar a continuación la tecla «super». En la pantalla de visualización aparecen la indicación «super».



Desactivar la función de congelación ultrarrápida

Seleccionar al igual que en el caso de la zona de refrigeración, y accionar luego el pulsador «super». En el panel indicador se extingue la leyenda «super».

Congelación ultrarrápida

Para que los alimentos conserven su valor nutritivo, vitaminas y buen aspecto hay que congelar el centro lo más rápidamente posible. Para que los alimentos conserven su valor nutritivo, vitaminas y buen aspecto.

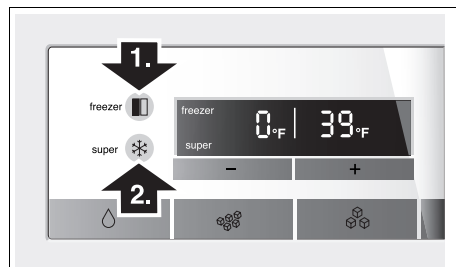
Con objeto de evitar que se produzca un aumento indeseado de la temperatura interior del aparato al colocar alimentos frescos en el compartimento de congelación, deberá activarse la función de congelación ultrarrápida varias horas antes de introducir los alimentos en el aparato.

En general basta activar dicha opción con 4–6 horas de antelación. Si se desea aprovechar la capacidad máxima de congelación, se necesitarán 24 horas.

Pequeñas cantidades de alimentos se pueden congelar sin necesidad de activar la congelación ultrarrápida.

Conectar la función de congelación ultrarrápida «Supercongelación»

1. Accionar el pulsador «freezer» hasta que en el display aparece la leyenda «freezer».
2. Pulsar a continuación la tecla «super». En la pantalla aparecen la indicación «super».



Desactivar la función de enfriamiento ultrarrápido

Para apagar, accionar nuevamente el pulsador «super».

NOTA

La función de congelación ultrarrápida se desactiva automáticamente a más tardar al cabo de 60 horas (dos días y medio) de su activación.

Ajustar la magnitud de la temperatura

El aparato puede indicar la temperatura se puede indicar en grados centígrados (°C) o grados Fahrenheit (°F).

Ajustar la magnitud de la temperatura

- Pulsar simultáneamente las teclas «fridge» y «freezer» durante cinco segundos. Según el ajuste que existiera previamente, se conmuta a la nueva magnitud de temperatura.

Compartimento frigorífico

⚠ ADVERTENCIA ⚠



¡Existe peligro de explosión!

No guardar productos combinados con agentes o gases propelentes (por ejemplo sprays) ni materias explosivas en el aparato. El incumplimiento de estas instrucciones puede ser causa de la muerte, incendios o explosiones.

La temperatura del compartimento frigorífico se puede ajustar de 36 °F (+2 °C) a 46 °F (+8 °C). Se aconseja ajustar una temperatura de 39 °F (+4 °C).

Los alimentos delicados no deberán guardarse a una temperatura superior (más calor) a 39 °F (+4 °C).

Utilizar el compartimento frigorífico

Guardar pan y bollería, platos cocinados, latas de conservas, leche condensada, queso duro, frutas y verduras sensibles al frío: Cítricos y frutas tropicales, como por ejemplo mandarinas, plátanos, piñas (ananás), melones, aguacates, papayas, granadillas, berenjenas. así como fruta que debe madurar, tomates, pepinos, tomates verdes, patatas.

Puntos a tener en cuenta al colocar los alimentos en el aparato:

- Dejar enfriar los alimentos o bebidas calientes hasta una temperatura ambiente antes de introducirlas en el frigorífico.
- Envasar los alimentos herméticamente para que no se deshidraten o pierdan su sabor.
- No obstruir ni bloquear con alimentos las aberturas de salida del aire a fin de permitir la libre circulación del mismo.

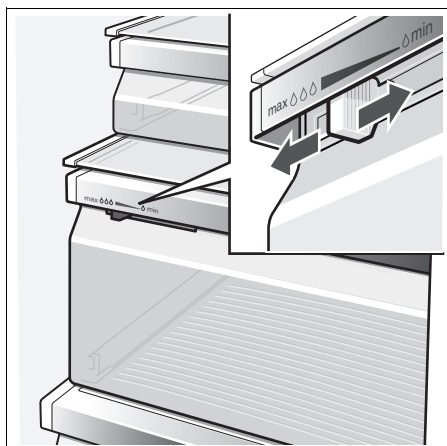
- No permitir que las grasas y aceites entren en contacto con los elementos de plástico del interior del frigorífico o la junta de la puerta.
- Las bebidas con un alto grado de alcohol necesitan envases con cierre hermético; además se deberán colocar siempre en posición vertical.

Compartimento para la verdura con filtro humidificador

El compartimento de alta humedad está cubierto por un filtro especial que permite el paso del aire y retiene la humedad en el mismo.

Gracias a la elevada humedad del aire, las lechugas, espinacas, etc. permanecen frescas durante más tiempo. La verdura y la fruta deberá guardarse con una menor humedad del aire.

La humedad del aire en los cajones de verdura depende de la cantidad de alimentos guardados en los mismos. Una excesiva humedad del aire puede dar lugar a la formación de gotas de agua, provocando con ello el deterioro de los alimentos.



Elevada humedad del aire

El mando regulador en la posición izquierda – la abertura de ventilación está cerrada.

Baja humedad del aire

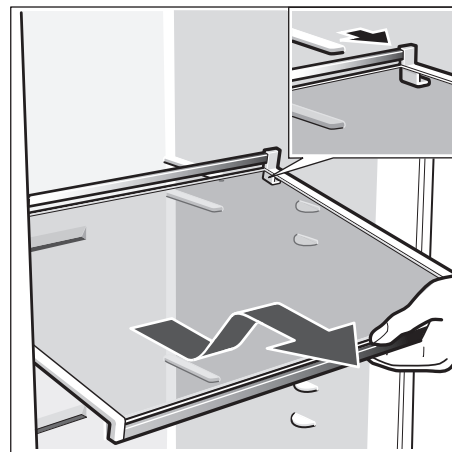
El mando regulador en la posición derecha – la abertura de ventilación está abierta.

Capacidad útil

Las indicaciones sobre la capacidad útil del aparato figuran en la placa de características del mismo (véase la ilustración en el capítulo «Servicio técnico»).

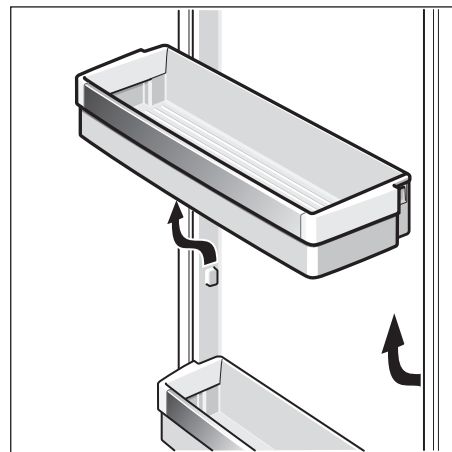
Posibilidad de variar la posición del equipo interior

Bandejas



Desplazar la bandeja hacia adelante, abatirla hacia abajo y extraerla inclinándola por uno de sus laterales.

Estantes de la puerta



Alzar los estantes de la puerta y retirarlos del aparato.

Compartimento de congelación

⚠️ ADVERTENCIA ⚠️



¡Existe peligro de explosión!

No guardar productos combinados con agentes o gases propelentes (por ejemplo sprays) ni materias explosivas en el aparato.

El incumplimiento de estas instrucciones puede ser causa de la muerte, incendios o explosiones.

La temperatura del compartimento de congelación se puede ajustar de 7 °F (-14 °C) a -11 °F (-24 °C).

Se aconseja ajustar una temperatura de 0 °F (-18 °C).

El compartimento de congelación es adecuado para

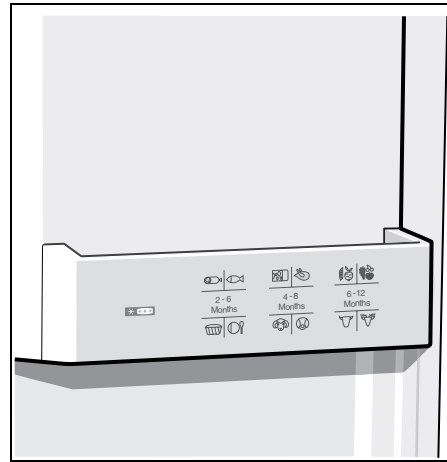
- guardar productos ultracongelados,
- congelar alimentos frescos,
- preparar cubitos de hielo.

Nota:

- Preste atención a que la puerta del compartimento de congelación quede siempre cerrada. En caso de no estar bien cerrada la puerta, los alimentos se pueden descongelar, además de producirse una fuerte acumulación de hielo o escarcha en el interior del compartimento de congelación. Además: Las pérdidas energéticas elevan el consumo de corriente.
- Tras cerrar la puerta del compartimento de congelación se produce una depresión que genera un ruido de succión. Esperar dos o tres minutos hasta que la depresión se haya compensado.

Calendario de congelación

(no disponible en todos los modelos)



Las cifras que figuran junto a los símbolos señalan, en meses, el plazo de conservación admisible para los diferentes productos. En caso de conservar alimentos ultracongelados adquiridos en el comercio, deberá tenerse en cuenta la fecha de fabricación o el tiempo de caducidad de los mismos.

Congelar alimentos frescos

Congelar sólo alimentos frescos y en estado impecable. Procurar que los alimentos congelados que ya hubiera en el congelador no entren en contacto con los alimentos frescos que se desean congelar. Envasar los alimentos herméticamente para que no se deshidraten o pierdan su sabor.

Capacidad de congelación

Las indicaciones relativas a la máxima capacidad de congelación en 24 horas figuran en la placa de características del mismo (véase la ilustración en el capítulo «Servicio técnico»).

Manera de envasar correctamente los alimentos:

- Introducir los alimentos en la envoltura prevista a dicho efecto.
- Procurar eliminar todo el aire que pudiera haber en el envase.
- Cerrarlo herméticamente.
- Marcar los envases, indicando su contenido y la fecha de congelación.

Materiales no apropiados para el envasado de alimentos:

Papel de empaquetar, papel apergaminado, celofán, bolsas de la basura y bolsitas de plástico de la compra ya usadas.

Materiales indicados para el envasado de los alimentos:

Láminas de plástico, bolsitas y láminas de polietileno, papel de aluminio, cajitas y envases específicos para la congelación de alimentos.

Todos estos productos y materiales se pueden adquirir en la mayoría de los supermercados, grandes almacenes o en el comercio especializado.

Materiales apropiados para el cierre de los envases:

Gomitas, clips de plástico, bramante, cinta adhesiva incongelable, etc. Las bolsitas o láminas de plástico de polietileno se pueden termosellar con una soldadora de plásticos.

Calendario de congelación

El plazo de conservación varía en función del tipo del alimento congelado. A una temperatura de 0 °F (-18 °C):

- El pescado, el embutido y los platos cocinados, así como el pan y la bollería: **hasta 6 meses**
- El queso, las aves y la carne: **hasta 8 meses**
- La fruta y verdura: **hasta 12 meses**

Puntos a tener en cuenta al comprar alimentos ultracongelado

Puntos a tener en cuenta al comprar alimentos ultracongelados:

- Verifique la fecha de caducidad de los alimentos. Cerciórese de que ésta no ha vencido.
- Prestar atención a que la envoltura del alimento o producto congelado no presente ningún tipo de daño.
- La indicación de la temperatura del congelador del establecimiento en donde adquiera los alimentos deberá señalar un valor mínimo de 0 °F (-18 °C), de lo contrario se reduce el período de conservación de los alimentos congelados.
- Al hacer la compra, recuerde que conviene adquirir los alimentos congelados en el último momento. Procure transportarlos directamente a casa envueltos en un papel de periódico o en una bolsa isotérmica.
- Una vez en el hogar, deberá colocarlos inmediatamente en el compartimento de congelación. Consumir los alimentos antes de que su fecha de caducidad venza.

Descongelar los alimentos

ATENCIÓN

Los alimentos que se hayan descongelado o hayan empezado a descongelarse, Asar, freír, hervir o preparar con ellos platos cocinados, antes de volver a congelarlos.

En este caso no se deberá agotar al máximo el tiempo de caducidad de los productos.

Según el tipo y la naturaleza de su uso, se puede elegir entre los siguientes procedimientos:

- Temperatura ambiente.
- En el frigorífico.
- En un horno eléctrico, con/sin calentador de aire.
- Con horno microondas.

Dispensador de hielo y agua

Se puede extraer, según los deseos concretos:

- agua fría,
- hielo picado,
- cubitos de hielo.

ADVERTENCIA

¡No introducir nunca las manos en la abertura del dispensador de hielo! Peligro de lesiones!

NOTA

No colocar botellas ni alimentos en el depósito de los cubitos de hielo para enfriarlos rápidamente! El fabricante de cubitos de hielo podría quedar bloqueado y sufrir daños.

Puntos a tener en cuenta al poner el aparato en funcionamiento

El aparato sólo suministra cubitos de hielo o agua si está conectado a la red de agua.

Tras la puesta en marcha del aparato, se requieren 24 horas hasta obtener la primera tanda de cubitos.

Tras conectar el aparato a la red de agua, aún quedan burbujas de aire en las tuberías.

Pulsando la tecla 1 suministro de agua, extraiga el agua y evácuela en el desagüe, hasta que salga sin burbujas. Verter al desagüe los primeros cinco vasos de agua.

Al usar por vez primera el dispensador de hielo y por razones de higiene, se aconseja no consumir los primeros 30 ó 40 cubitos de hielo.

Advertencias relativas al funcionamiento del dispensador de hielo

Una vez que el compartimento de congelación ha alcanzado su temperatura de congelación, entra agua en el dispensador de hielo, donde se congela en las cámaras, formando cubitos. Los cubitos de hielo listos se vierten automáticamente al depósito de cubitos.

Ocasionalmente algunos cubitos pueden quedar adheridos entre sí. Sin embargo, suelen separarse cuando son conducidos hacia la abertura de suministro.

Cuando como el depósito de cubitos de hielo está lleno, se desactiva automáticamente el proceso de fabricación de hielo.

El dispensador de cubitos puede fabricar hasta aprox. 100 cubitos de hielo en 24 horas.

Durante el proceso de elaboración de los cubitos de hielo, se puede escuchar el zumbido de la válvula de agua, el sonido del agua al entrar en la cubitera y la caída de los cubitos en el depósito.

Observaciones relativas a la calidad del agua potable

Los materiales empleados en la fabricación del dispensador de cubitos son inodoros y neutrales al gusto.

No obstante, si el agua tuviera algún sabor, ello puede deberse a las siguientes causas:

- al contenido de minerales y cloro del agua de red,
- al material de las tuberías de la alimentación de agua doméstica,
- a la frescura del agua. En caso de no haber retirado durante un período prolongado agua del dispensador, el puede saber «a vieja». En tal caso deberán llenarse y verterse en el desagüe unos 15 vasos de agua antes de consumir el agua suministrada por el dispensador.

El mal sabor y o desagradable olor del agua se pueden mejorar instalando un filtro de agua suministrado con el aparato en la alimentación de agua.



ATENCIÓN

El filtro de agua suministrado con el aparato filtra exclusivamente las partículas contenidas en el agua de red, no reteniendo, por lo tanto, bacterias o microbios.

Extraer hielo/agua

- ❑ Seleccionar la tecla correspondiente del dispensador de agua/hielo (agua, hielo picado cubitos de hielo).
- ❑ Accionar la tecla hasta que obtener la cantidad deseada.

Extraer agua:



Extraer hielo:



Un consejo práctico:

El agua suministrada por el dispensador tiene una temperatura adecuada para tomarla inmediatamente. En caso de desear que el agua esté más fría, poner unos cubitos de hielo en el vaso antes de extraer el agua del dispensador.

Paro del fabricante de hielo

NOTA

Interrumpir la alimentación de agua del fabricante de hielo varias horas antes de su desconexión.

En caso de no necesitar cubitos de hielo previsiblemente durante un período superior a una semana (por ejemplo durante las vacaciones), deberá desconectarse el fabricante de hielo a fin de evitar que los cubitos se peguen entre sí.

- ❑ Retirar el depósito de los cubitos de hielo.
- ❑ Empujar el mando para conexión y desconexión situado detrás de la cubitera. Para desconectarla, pulsar la posición «0».

El fabricante de hielo está desconectado.



- ❑ Vaciar y limpiar el depósito de los cubitos de hielo. Colocar el depósito en su sitio. Prestar atención a que el depósito encaje en su base de apoyo.

Para volver a poner en marcha el fabricante de hielo:

- ❑ Volver a establecer la conexión con la tubería de agua.
- ❑ Empujar el mando para conexión y desconexión situado detrás de la cubitera durante cinco segundos. Para conectarla, pulsar la posición «1».

El fabricante de hielo está conectado.

Nota:

La descripción que figuran debajo del mando para conexión y des-conexión sólo está destinada al técnico del Servicio de Asistencia Técnica y no deberá tenerse en cuenta.

Desactivación del expendio de hielo y agua

Mediante esta opción puede desactivarse el expendio de hielo y agua.

- ❑ Vaciar y limpiar el depósito para cubitos de hielo.
- ❑ Volver a colocar el depósito, cuidando que el mismo se trabase sobre la superficie de asiento.
- ❑ Para la activación y desactivación, accionar simultáneamente los pulsadores «freezer» y «super» por un período de 5 segundos. En el display se visualizará la leyenda «IWD off» cuando la función está inactiva.

Filtro de agua

⚠ ATENCIÓN ⚠

En las zonas en donde la calidad del agua sea dudosa o desconocida, el aparato deberá desinfectarse adecuadamente antes y después de realizar el filtrado del agua.

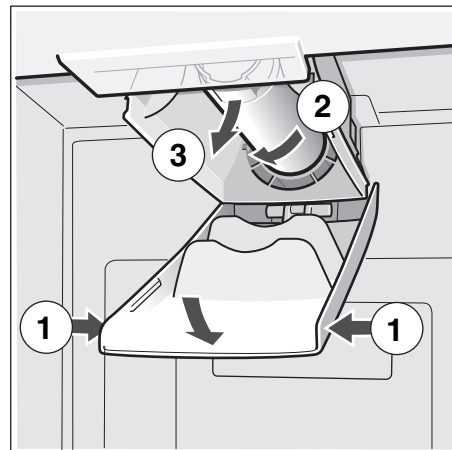
El filtro de cartucho del filtro de partículas se puede adquirir a través del Servicio de Asistencia Técnica Oficial de la marca.

El filtro de cartucho deberá sustituirse a más tardar al cabo de seis meses de uso.

Advertencias importantes sobre el filtro del agua

- El circuito del agua se encuentra sometido a baja presión tras haber extraído agua o hielo. ¡Prestar atención al retirar el filtro de cartucho!
- En caso de largos períodos de inactividad del aparato o tener el agua un sabor u olor desagradable, enjuagar el circuito de agua. Para ello extraer varias veces agua del dispensador. En caso de persistir el sabor u olor desagradable, sustituir el filtro de cartucho.

Sustituir el filtro de cartucho



- ❑ Colocar el filtro de cartucho nuevo.
- ❑ Extraer varios litros de agua a través del dispensador de agua para purgar el aire que pudiera haber en el circuito de agua. Evacuar el agua del filtro de cartucho usado.
- ❑ Verter el agua contenida en el filtro de cartucho usado en el desagüe. El cartucho usado se puede evacuar con la basura doméstica.

Especificaciones técnicas y prestaciones

Para filtro modelo 9000 225 170

Utilizando el cartucho de repuesto 9000 077 104

El modelo ha sido verificado por la Agencia Internacional de Verificación y Certificación NSF International según los estándares ANSI/NSF 42 y 53, obteniendo la certificación respecto a la reducción de las sustancias que se detallan a continuación.

La concentración de las sustancias disueltas en el agua indicadas que penetran en el sistema, ha sido rebajada hasta un valor inferior o igual al valor límite según NSF/ANSI 42 y 53 válido para el agua que abandona el aparato.

Advertencia:

A pesar de que los ensayos de laboratorio se han realizado según condiciones estándar, los valores reales, no obstante, pueden diferir de éstos.



El sistema ha sido verificado y certificado en el modelo 9000 077 095 por NSF International en función de las normas ANSI/NSF-Standard 53 para la reducción de quistes y partículas en suspensión (turbiedades) y ANSI/NSF-Standard 42 para la reducción del sabor y olor a cloro.

Clase de partícula nominal: I

Vida útil: 739.68 gallons (2800 litros)

Substancia	Promedio en la afluencia	Concentración de afluencia	Concentración del agua filtrada	Reducc. media en %	Concentración máx admisible en el agua filtrada	Máx. agua filtrada	Mín. reducción en %	Ensayo NSF
Quistes*	166.500	Min. 50.000/l	1	99,99	99,95	1	99,99	511077-03
Turbiedad	10,7	11 x 1 NTU	0,3 l	97,10	0,5 NTU	0,49	95,42	511078-03

Partículas Clase I Tam. partícula: > 0,5 a < 1µm	5.700.000	Como mín. 10.000 partículas/ml	30.583	99,52	>85 %	69.000	98,9	511079-03
Sabor y olor a cloro	1,9	2,0 mg/l ±10%	0,05	97,3	>50 %	0,06	96,84	511081-03

* Sobre la base de oocistos de *criptosporium parvum*.

Normas de aplicación / Parámetros de la aliment. de agua

Presión del agua:

30–120 psi (207 – 827 kPa)

Temperatura del agua*:

33 °F–100 °F (0,6 °C – 38 °C)

Velocidad de flujo:

0.75 gpm (2.83 lpm)

- El sistema deberá instalarse y usarse de conformidad con las instrucciones del fabricante.
- Los filtros deberán sustituirse cada 6–9 meses.
- Hacer circular agua por el filtro nuevo durante 5 minutos.
- Más detalles a este respecto figuran en la tarjeta de garantía.

Este producto NO DEBERÁ usarse, en caso de que el agua presentara contaminación microbiológica o se desconociera su calidad, a no ser que se combinara con una desinfección adecuada previa o posterior a su conexión al sistema. Un sistema certificado para la reducción de quistes puede usarse con agua desinfectada que pudiera contener quistes filtrables.

Concedemos para todo el sistema (excepto el cartucho desechable) una garantía de un año. Para el cartucho desechable sólo se concede una garantía respecto a defectos de material o de fabricación. La vida útil de los cartuchos desechables depende de la calidad local del agua, por lo que no se torga ninguna garantía a este respecto. Para una información detallada sobre los precios de los repuestos deberá dirigirse al distribuidor en donde adquirió el aparato o al distribuidor de repuestos de su zona.

Fabricado por:

3M Material Technology (Guangzhou) Ltd.
9 Nanxiang Er road, Science City,
Guangzhou, 510663, P. R. China

Consejos prácticos para ahorrar energía eléctrica

- Emplazar el aparato en una habitación seca y fresca, dotada de una buena ventilación. El aparato no debe instalarse de forma que reciba directamente los rayos del sol, ni encontrarse tampoco próximo a un foco activo de calor tal como cocinas, calefacciones, etc. No obstante, si esto último fuera inevitable, se habrá de proteger la unidad con un panel aislante adecuado.
- Dejar enfriar los alimentos o bebidas calientes hasta una temperatura ambiente antes de introducirlos en el aparato.
- Descongelar los productos congelados en el interior del frigorífico. De este modo se aprovecha el frío acumulado en el alimento para refrigerar los alimentos frescos del frigorífico.
- Mantener abierta la puerta del aparato el menos tiempo posible!

Ruidos de funcionamiento del aparato

Ruidos de funcionamiento normales del aparato

Los ruidos en forma de murmullos sordos – se deben al funcionamiento del grupo frigorífico. El ventilador del sistema de circulación del aire está funcionando.

Los ruidos en forma de gorgoteo – se producen al penetrar el líquido refrigerante en los tubos delgados una vez que ha entrado en funcionamiento el compresor. En el fabricante de hielo penetra agua.

Los ruidos en forma de clic – se escuchan cuando se conecta y desconecta el compresor. La electroválvula en la toma de agua abre o cierra.

Los ruidos característicos de la caída de los cubitos de hielo – se producen cuando los cubitos de hielo listos caen en el recipiente colector.

Ruidos que se pueden evitar fácilmente

El aparato está colocado en posición desnivelada

Nivelar el aparato con ayuda de nivel de burbuja y los soportes roscados del aparato. Calzarlo en caso necesario.

El aparato entra en contacto con muebles u otros objetos

Retirar el aparato de los muebles u otros aparatos con los que esté en contacto.

Los cajones, bandejas y estantes oscilan o están agarrotados

Verificar los elementos desmontables y, en caso necesario, colocarlos en un nuevo emplazamiento.

Las botellas o recipientes entran en contacto mutuo

Separar algo las botellas y los recipientes.

Al desescarchar el aparato

Compartimento de congelación

Gracias al sistema automático Nofrost, el compartimento de congelación permanece libre de escarcha, no siendo necesario efectuar su desescarchado. Por ello no hay que realizar el desescarchado del mismo.

Compartimento frigorífico

El desescarchado del aparato se efectúa automáticamente.

El agua de descongelación se evacúa, a través del orificio de drenaje, hasta una bandeja de desagüe situada en la parte posterior del aparato.

Desconexión y paro del aparato

Desconectar el aparato

- ❑ Desconectar el aparato.
- ❑ Extraer el enchufe de conexión del aparato de la toma de corriente de la red eléctrica.

Paro del aparato

En caso de largos períodos de inactividad de la unidad:

- ❑ Es indispensable interrumpir la alimentación de agua al aparato varias horas antes de desconectarlo.
- ❑ Retirar todos los alimentos del aparato.
- ❑ Desconectar el aparato.
- ❑ Extraer el enchufe de conexión del aparato de la toma de corriente de la red eléctrica.
- ❑ Limpiar el interior del aparato (véase el capítulo «Limpieza del aparato»).

Con objeto de evitar la formación de malos olores, se aconseja dejar las puertas del aparato abiertas.

Al limpiar el aparato

⚠ ADVERTENCIA ⚠



Peligro de descargas eléctricas

Para evitar descargas eléctricas que pueden causar lesiones serias o aún la muerte, desconecte el electrodoméstico antes de limpiarlo.

Una vez limpio, vuelva a conectarlo.

⚠ ADVERTENCIA ⚠

Para evitar lesiones personales o daños materiales, tenga en cuenta lo siguiente:

- ¡No utilizar ningún tipo de limpiadora de vapor!
- No deje gotear el agua de la limpieza sobre la luz o el panel de control.

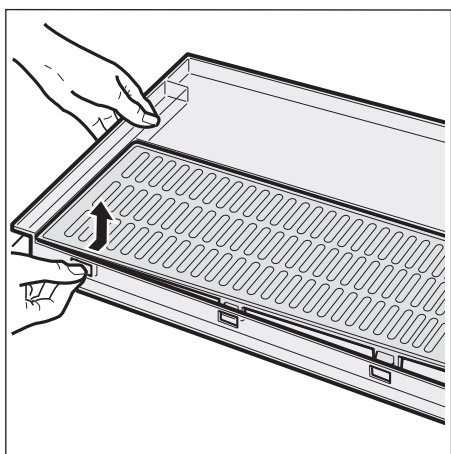
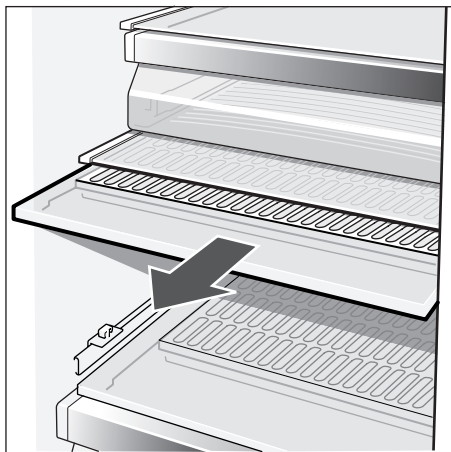
⚠ ATENCIÓN ⚠

- En ningún caso deberán emplearse agentes agresivos o limpiadores con ácidos o disolventes químicos.
- No lavar nunca las bandejas, compartimentos o estantes del aparato en el lavavajillas. ¡Las piezas pueden deformarse!

Limpieza de la unidad

- ❑ **Desconectar el aparato y extraer el cable de conexión de la toma de corriente antes de proceder a su limpieza.**
- ❑ Retirar los alimentos que hubiera en el aparato y guardarlos en un lugar lo más frío posible.
- ❑ Limpiar el interior del aparato con agua tibia y un lavavajillas manual suave.
- ❑ Limpiar la junta de la puerta sólo con agua clara, secándola bien a continuación.
- ❑ Limpiar la superficie del aparato con un paño suave y húmedo, con un poco de lavavajillas manual. Secar a continuación con un paño.
- ❑ Tras concluir la limpieza del aparato: Conectarlo a la red y ponerlo en funcionamiento.

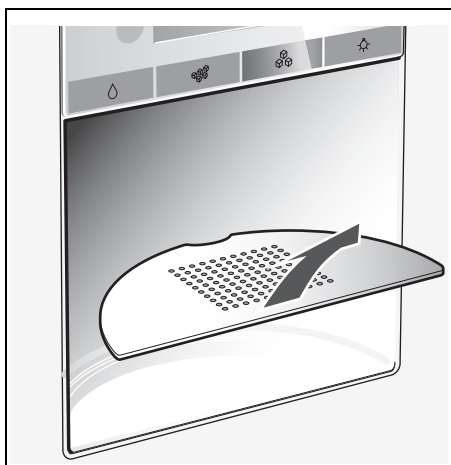
Limpiar el filtro humidificador



Limpiar la bandeja colectora del agua

El agua derramada es recogida en la bandeja colectora.

Para vaciar y limpiar la bandeja colectora del agua, retirar el filtro. Limpiar la bandeja colectora con una esponja o un paño absorbente.



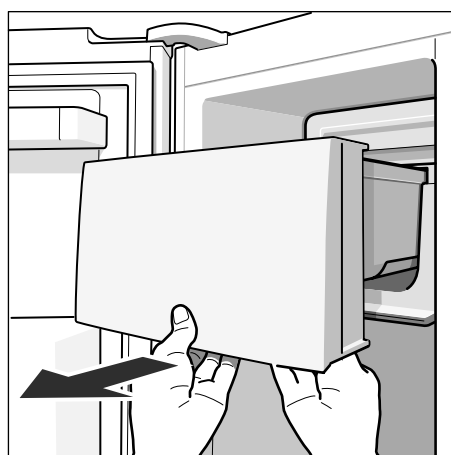
Limpiar el depósito para los cubitos de hielo

En caso de no extraer cubitos de hielo durante un tiempo prolongado del dispensador, éstos pierden parte de su volumen, saben «a viejo» y se adhieren entre sí.

- ❑ Retirar el depósito, vaciarlo y enjuagarlo con agua tibia.

⚠ ATENCIÓN ⚠

¡El depósito de los cubitos de hielo lleno tiene un peso considerable! ¡Peligro de lesiones !



- ❑ Secar bien con un paño el depósito y la rosca transportadora, a fin de evitar que los cubitos de hielo nuevos puedan quedar adheridos.

Colocar el depósito de cubitos de hielo:

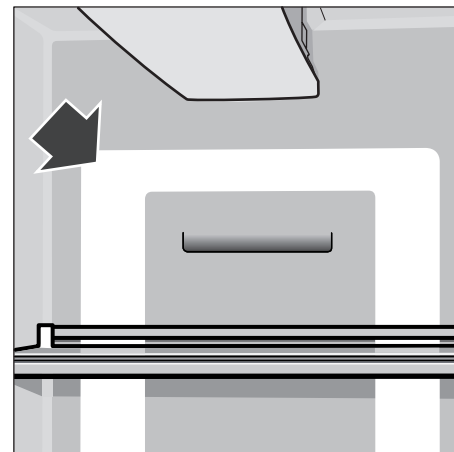
- ❑ Empujar el depósito sobre sus soportes completamente hacia atrás, hasta que enclave.
- ❑ En caso de no poder desplazar el depósito de los cubitos completamente hacia atrás, girar ligeramente la rosca transportadora del depósito o eliminar los cubitos de hielo que pudieran estar adheridos en la zona de introducción del depósito.

Iluminación interior

(según el modelo concreto)

Iluminación (diodos luminosos)

Su aparato está equipado con una iluminación por diodos luminosos exenta de mantenimiento.



⚠ ATENCIÓN ⚠

Radiación de láseres Clase 1 M (Norma IEC 60825). No mirar directamente los rayos de láser con instrumentos ópticos.

¡Peligro de lesiones oculares!

Las reparaciones de este tipo de iluminación sólo podrán ser realizadas por personal técnico del Servicio de Asistencia Técnica Oficial de la marca o autorizado oficialmente por el fabricante.

Cambio de las bombillas eléctricas

⚠ ADVERTENCIA ⚠

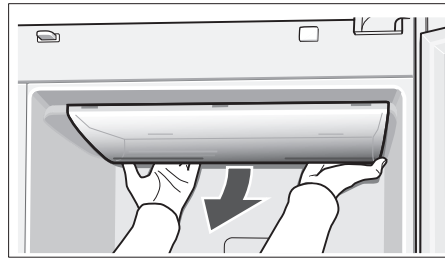


Peligro de descargas eléctricas

Para evitar descargas eléctricas que pueden causar lesiones serias o aún la muerte, desconecte el electrodoméstico antes de efectuar reparaciones.

Una vez efectuadas las reparaciones, vuelva a conectar la alimentación.

- ❑ ¡Apague el electrodoméstico con el pulsador power! Desconecte el enchufe o desactive el fusible.



- ❑ Quitar la cobertura.
- ❑ Cambiar la bombilla.
La lámpara de repuesto no debe exceder los 25 W y debe poseer un zócalo E14.
- ❑ Volver a colocar la cobertura.

Búsqueda de fallos

Antes de avisar al Servicio de Asistencia Técnica:

- Compruebe si la avería o fallo que usted ha constatado se encuentra recogida en los siguientes consejos y advertencias.
- Ejecute un ciclo de autocomprobación del aparato (véase el apartado «Autocomprobación del aparato»).

Tenga presente que los gastos del técnico no quedan cubiertos por las prestaciones del servicio de garantía.

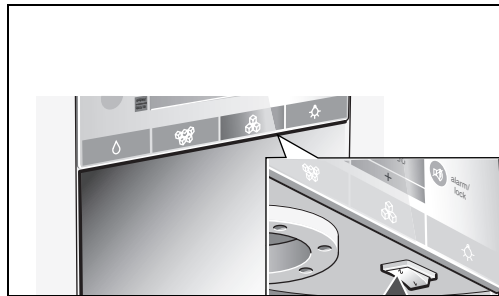
Avería	Posible causa	Forma de subsanarla
La temperatura difiere fuertemente del valor ajustado.		En algunos casos es posible que sea suficiente desconectar el aparato durante 5 minutos. Si la temperatura es demasiado elevada (calor), verifique al cabo de unas pocas horas si se ha producido una aproximación a la temperatura ajustada. Si la temperatura es demasiado baja (frío), verifique la temperatura nuevamente al día siguiente.
No se produce ninguna indicación en la pantalla de visualización.	El enchufe del cable de conexión no está firmemente asentado en la toma de corriente. El fusible de la instalación doméstica está desconectado.	Verificar si hay corriente eléctrica, cerciorarse de que el fusible de la red está conectado.
En el display se visualiza una «E..».	Defecto en la electrónica.	Dar aviso al servicio a clientes.

Avería	Posible causa	Forma de subsanarla
La alarma acústica se activa y la indicación de la temperatura del compartimento de congelación parpadea.	<p>La temperatura del compartimento de congelación es demasiado elevada (calor). ¡Existe peligro de descongelación de los alimentos!</p> <ul style="list-style-type: none"> – Las aberturas de ventilación y aireación están obstruidas. – La puerta del compartimento de congelación está abierta. – Se ha introducido una cantidad excesiva de alimentos frescos en el compartimento de congelación. 	<p>Tras pulsar la tecla «alarm/lock», la señal acústica queda desactivada y la indicación de la temperatura se apaga.</p> <p>En la indicación de temperatura del compartimento de congelación se muestra durante 10 segundos la temperatura más elevada registrada en el compartimento de congelación.</p> <p>i Los alimentos que se hayan descongelado o hayan empezado a descongelarse, se podrán volver a congelar teniendo en cuenta lo siguiente: En el caso de las carnes y los pescados, sólo podrán volverse a congelar si no han permanecido más de un día, en caso de otros productos, tres días, expuestos a una temperatura superior a los 37 °F (+3 °C).</p>
La iluminación interior no funciona.	<p>El interruptor de la iluminación interior de los compartimentos frigorífico y de congelación están agarrotado.</p> <p>La iluminación está defectuosa.</p>	<p>Verificar la libre movilidad del interruptor.</p> <p>Véase el capítulo «Iluminación interior».</p>
El nivel sonoro del aparato se incrementa ligeramente.	<p>¡No se trata de una avería! Su aparato ha sido diseñado para funcionar con un reducido consumo energético. Bajo ciertas condiciones, sin embargo (por ejemplo activación de la función de congelación ultrarrápida «Supercongelación»), el aparato tiene que incrementar su rendimiento, elevándose en consecuencia también su nivel sonoro.</p>	
El electrodoméstico no enfría. No se enciende la luz interior. El display no visualiza nada.	<p>Fallo en la alimentación. Se ha activado el fusible. El enchufe no está correctamente conectado.</p>	<p>Controle que esté encendida la alimentación. Debe conmutarse el fusible. Controle que el enchufe esté correctamente conectado.</p>
La unidad de refrigeración marcha cada vez con mayor frecuencia y por tiempos más prolongados.	<p>La puerta del electrodoméstico se abre con frecuencia.</p> <p>Se han introducido grandes cantidades de alimentos frescos en el electrodoméstico.</p> <p>Están obstruidas las aberturas de ventilación.</p>	<p>No abra la puerta innecesariamente.</p> <p>Active la función «super».</p> <p>Quite obstáculos y suciedad.</p>
La temperatura en el compartimento del refrigerador es demasiado baja.	<p>Se ha ajustado la temperatura a valores demasiado bajos.</p>	<p>Ajuste una temperatura más elevada (ver la sección »Ajustar la temperatura«)</p>
La mercadería a congelar se ha pegado.		<p>Despegar la mercadería mediante un objeto no filoso. No utilizar un cuchillo o un objeto puntiagudo.</p>

Dispensador de hielo y agua

Avería	Posible causa	Forma de subsanarla
No se producen cubitos de hielo a pesar de un tiempo de marcha ya prolongado.	El grifo de agua está cerrado.	Abrir el grifo de agua.
	La alimentación de agua está interrumpida o la presión de agua es demasiado reducida.	Dar aviso al instalador.
	El equipo para preparar hielo está inactivo.	El equipo para preparar hielo vuelve a estar activo (para volver a activar el equipo para preparar hielo (ver «Dispensador de hielo y agua / Paro del fabricante de hielo»).
	El expendedor de hielo y agua está inactivo. En el display se visualiza «IWD off».	Para volver a activar el expendedor de hielo y agua (ver «Funciones especiales / [IWD off]»).
Los cubitos de hielo se encuentran en el depósito correspondiente, pero no se expenden.	El gabinete congelador está demasiado caliente.	Ajustar la temperatura del gabinete congelador a valores menores (ver «Ajustar la temperatura»).
	Los cubitos de hielo se han pegado el uno con el otro.	Extraer el depósito para los cubitos de hielo y vaciarlo.
Los cubitos de hielo se han trabado en la salida del depósito correspondiente o bien en el triturador.		Extraer el depósito de cubitos de hielo y girar el helicoide a mano. Aflojar los trozos de hielo eventualmente adheridos mediante una varilla de madera.
Los cubitos de hielo son acuosos.	Los cubitos de hielo se están descongelando – hubo un corte en el suministro de corriente, o bien la puerta del gabinete congelador no estaba correctamente cerrada.	Extraer el depósito para los cubitos de hielo, vaciarlo y fregarlo hasta que quede seco.
No funciona el expendedor de agua.	El grifo de agua está cerrado.	Abrir el grifo de agua.
	La alimentación de agua está interrumpida o la presión de agua es demasiado reducida.	Dar aviso al instalador.
El equipo generador de hielo no produce la cantidad suficiente, o bien el hielo sale deformado.	El equipo o el generador de hielo fueron puestos en marcha hace poco.	Demora aprox. 24 hs hasta que comienza la producción de hielo.
	Fue extraída una cantidad mayor de hielo.	Demora aprox. 24 hs hasta que el depósito de cubitos se ha llenado nuevamente.
	La presión de agua no es suficiente.	Conectar el equipo exclusivamente a la presión de agua prescrita (ver el párrafo «Instrucciones de instalación / Conexión del agua»).
	El filtro del agua está obstruido o agotado.	Cambiar el filtro de agua (véase el capítulo "Filtro de agua").

Avería	Posible causa	Forma de subsanarla
En el dispensador de hielo y agua se ha formado agua de condensación.	Hay demasiada humedad en el entorno del aparato.	Conectar la calefacción adicional del dispensador. Para conectarla, pulsar la posición «2».



En la posición «1», la calefacción adicional está desconectada.

Autocomprobación del aparato

Su aparato dispone de un programa automático de autocomprobación que le muestra las causas de las posibles averías; éstas sólo pueden ser subsanadas por el Servicio de Asistencia Técnica Oficial de la marca.

Iniciar el ciclo de autocomprobación del aparato

- Desconectar el aparato y aguardar cinco minutos.
- Volver a conectar el aparato.
- Pulsar simultáneamente las teclas «+» y «-» durante cinco segundos.

El programa de autocomprobación arranca. Si en la pantalla de visualización aparece una «E.», se trata de una avería. Notifique estas indicaciones al Servicio de Asistencia Técnica Oficial de la marca.

Concluir el ciclo de autocomprobación

- Pulsar simultáneamente las teclas «+» y «-» durante cinco segundos.

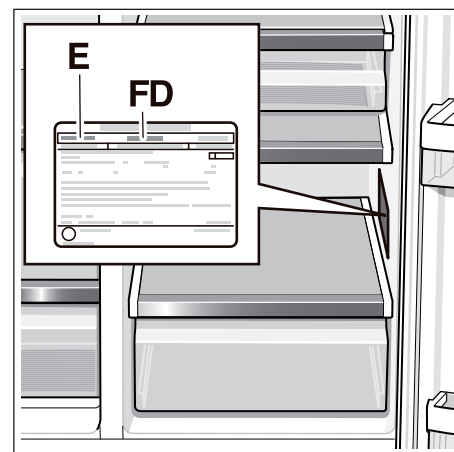
Servicio técnico

Si usted necesita de asistencia técnica, consulte primero la sección de «Búsqueda de fallos» en este libro. Una vez controlada dicha sección, encontrará ayuda adicional, llamando al centro interactivo de clientes Bosch, **1-800-944-2904** (libre de cargo) desde cualquier punto de los Estados Unidos.

En Canadá consulte la compañía de servicio de su zona, o llame al **1-800-944-2904**.

Anote las informaciones siguientes concerniente a su refrigerador, que le ayudarán a obtener un servicio técnico mejor en caso que lo necesite.

Usted necesitará el número de modelo completo (E), al igual que el número de serie (FD).



Encontrará la información concerniente al modelo y el número de serie, en la placa que se encuentra sobre la pared interior del compartimiento del frigorífico.

Nombre del vendedor:

Dirección:

Número de teléfono:

Fecha de compra:

Número de modelo (E):

Número de serie (FD):

GARANTÍA LIMITADA DEL PRODUCTO

Refrigerador-congelador Bosch

Cobertura y para quién es válida esta garantía: La garantía limitada provista por BSH Home Appliances en esta declaración, es aplicable exclusivamente al refrigerador-congelador Bosch ("producto") vendido a usted, como comprador primario, siempre que el producto haya sido adquirido: (1) para su uso normal, doméstico (no comercial), habiendo sido usado efectivamente y durante la totalidad del tiempo con fines de uso domiciliario normal; (2) nuevo, comercializado en venta minorista (no de exposición, «como visto», o previamente devuelto), y no para la reventa o uso comercial; y (3) dentro de los Estados Unidos o Canadá, habiendo permanecido la totalidad del tiempo dentro del país donde fue adquirido originariamente. Las garantías aquí declaradas, son aplicables exclusivamente al primer comprador del producto y no son transferibles.

- Rogamos nos envíe su tarjeta de registro. Aunque no lo requiera a los fines de garantía, es la mejor vía para Bosch para notificarlo en el caso poco probable de un aviso de seguridad o un llamado de retorno del producto.

Período de duración de la garantía:

Bosch garantiza que el producto fue confeccionado con materiales libres de defectos y que no presenta defectos de producción por un período de trescientos sesenta y cinco (365) días a partir de la fecha de venta. El período detallado comienza con la fecha de venta, no pudiéndose interrumpir, prolongar, extender, o suspender por razón alguna.

Reparación/reemplazo como solución

exclusiva: Durante la duración del período de garantía, Bosch o uno de sus servicios técnicos autorizados, reparará su producto libre de costes (sujeto a ciertas limitaciones aquí detalladas), si queda probado que su producto presenta defectos en el material o en su construcción. Si fueron realizados una cierta cantidad razonable de intentos de reparación sin éxito, Bosch reemplazará el producto (solamente tendrá acceso a un modelo más moderno, si Bosch así lo decidiera, haciéndose usted, cargo de la diferencia en el precio). Bosch se reserva el derecho de propiedad de todas las partes y componentes desmontados. Todas las piezas reemplazadas o reparadas asumen las propiedades de las piezas originales a los fines de esta garantía, no extendiéndose esta garantía a los mismos.

La prestación y responsabilidad de Bosch aquí definida es la de reparar defectos de producción exclusivamente, utilizando los servicios de prestadores de servicio autorizado por Bosch en horarios comerciales habituales. Por razones de seguridad y de propiedad, Bosch recomienda encarecidamente, no intentar reparar el producto personalmente, o por medio de un prestador de servicios no autorizado ya que en esta caso, Bosch no garantiza ni asume responsabilidad alguna por reparaciones o trabajos ejecutados por prestadores de servicio no autorizados. Si usted elige un prestador de servicios diferente a los autorizados para realizar tareas en su producto, **ESTA GARANTÍA CADUCA AUTOMÁTICAMENTE.**

Prestadores de servicio autorizados son aquellas personas o compañías especialmente aleccionadas por Bosch en la atención de sus productos y que tienen, en opinión de Bosch, una reputación superior para la atención de clientes y en habilidad tecnológica adecuada (nótese que se trata de entidades autónomas, no tratándose de agentes, socios o representantes asociados de Bosch). Pese a todo lo antedicho, Bosch no presta garantía alguna ni asume responsabilidad por el producto, si el mismo se encuentra en un área remota (más de 100 millas del servicio técnico autorizado más cercano) o si está en sitio, entorno o medio ambiente razonablemente inaccesible, peligroso o amenazador. En todos estos casos, si usted lo requiere, Bosch se hará cargo del trabajo y las piezas de repuestos, enviando las mismas al servicio técnico más cercano, siendo usted responsable por todo tiempo de viaje u otros costes del prestador de servicios, asumiendo que el mismo acceda al llamado de prestación de servicio.

Garantía limitada extendida: Bosch también provee las siguientes garantías limitadas adicionales:

- **2 años de garantía limitada:** Bosch reparará o reemplazará todo componente que pruebe presentar defectos en el material o en su fabricación (excluyendo costes de taller).
- **5 años de garantía limitada sobre la electrónica:** Bosch reparará o reemplazará todos los microprocesadores Bosch o circuitos impresos, si queda probado que presenta materiales defectuosos o fallos en la fabricación (excluyendo costes de taller).
- **Garantía por el tiempo de vida contra la oxidación en las piezas de acero inoxidable:** Bosch reparará o reemplazará toda pieza que probadamente presente defectos en el material o en la fabricación (excluyendo los costes de taller).


Producto fuera de garantía: Bosch no tiene obligación alguna, legalmente o de otro tipo de proveerle de accesorios, reparaciones o reemplazar productos o parte de ellos, una vez que esta garantía expire.

Exclusiones de la garantía: la cobertura de esta garantía excluye todos los defectos o daños que no son responsabilidad directa de Bosch, incluyendo sin límites una o varias de las siguientes: (1) uso del producto en cualquier forma distinta a la normal, usual o de acuerdo a lo previsto (excluyendo sin límites, toda forma de uso comercial, almacenamiento a la intemperie de un producto destinado para su uso en el interior, uso del producto en combinación con vehículos aéreos o de superficie); (2) mal uso intencional, negligencia, abuso, accidente, descuido, operación inadecuada, fallos en el mantenimiento, instalación inadecuada o negligente, sabotaje, uso en desacuerdo con las instrucciones de funcionamiento, mal trato, reparaciones no autorizadas (incluyendo reparaciones personales o exploración del funcionamiento interno del producto); (4) ajustes, alteraciones o modificaciones de cualquier tipo; (5) una falta en el cumplimiento con cualquier código, regla o ley correspondientes a la localidad, el estado, la ciudad o la región referentes a lo eléctrico, de plomería y/o construcción edilicia, incluyendo el producto en estricta conformidad con códigos y reglamentaciones referentes a la seguridad contra incendios y edilicias; (6) desgaste o deterioro normal, manchas debidas a alimentos, líquidos o acumulaciones de grasas o acumulación de otras sustancias en o alrededor del producto y (7) cualquier fuerza o factor externo, de elementos naturales y/o de medio ambiente, incluyendo sin limitaciones, la lluvia, el viento, arena, inundaciones, fuego, avalanchas de lodo, temperaturas debajo del congelamiento, humedad excesiva, o exposición prolongada a la humedad, rayos, golpes de tensión, fallos estructurales en los alrededores del producto y casos de fuerza mayor. En ningún caso, Bosch brinda garantía o asume responsabilidad por daños causados a la propiedad de terceros, incluyendo muebles, pisos, techos y otras estructuras alrededor del producto. También se excluyen de esta garantía, ranuras, ralladuras, abolladuras menores, y daños en la estética en las partes externas y expuestas; productos donde fue alterado, vuelto ilegible o eliminado el número de serie; visitas de prestación de servicios a los fines de aleccionamiento en el uso del producto o donde no fue determinado fallo alguno en el mismo o para efectuar correcciones en la

instalación (usted es el único responsable de la infraestructura y el ajuste para el producto, incluyendo las posibilidades de conexión eléctrica, de plomería u otras conexiones; Los fundamentos o preparativos en el suelo u otras modificaciones incluyendo sin límites, los muebles, paredes, suelos repisas, etc.); y la reposición de interruptores y fusibles. **DENTRO DE LO QUE MARCA LA LEY, ESTA GARANTÍA DETERMINA SUS RECURSOS RESPECTO DE ESTE PRODUCTO, TANTO LOS RECLAMOS CONTRACTUALES COMO INFUNDADOS O DE OTRA ÍNDOLE (TANTO EN CUANTO A RESPONSABILIDAD ABSOLUTA, COMO POR DESCUIDO).**

ESTA GARANTÍA VALE EN LUGAR DE TODA OTRA GARANTÍA, TANTO IMPLÍCITA COMO EXPLÍCITA. CUALQUIER OTRA GARANTÍA DICTADA POR LA LEY, RESPECTO DE COMERCIALIZACIÓN O ADECUACIÓN PARA UN PROPÓSITO PARTICULAR, SERÁ VÁLIDA EXCLUSIVAMENTE POR EL PERÍODO DE VALIDÉZ DE ESTA GARANTÍA LIMITADA. EN NINGÚN CASO, EL FABRICANTE SERÁ RESPONSABLE POR DESPERFECTOS ESPECIALES, INCIDENTALES, INDIRECTOS O PUNITIVOS, PÉRDIDAS O COSTES, INCLUYENDO PÉRDIDAS DE TIEMPO DE TRABAJO, COSTES DE HOTELES, ALIMENTOS, COSTES DE ADECUACIÓN DEBIDO A DAÑOS DEBIDOS EXCLUSIVAMENTE A Bosch. ALGUNOS ESTADOS NO PERMITEN LA EXCLUSIÓN O LIMITACIÓN POR DAÑOS INCIDENTALES O RESULTANTES Y OTROS NO PERMITEN LIMITACIONES EN LA DURACIÓN DE LAS GARANTÍAS.

EN ESTOS PAÍSES, USTED NO ESTÁ AFECTADO POR LAS LIMITACIONES RESPECTIVAS AQUÍ DESCRITAS. ESTA GARANTÍA LE DA DERECHOS LEGALES ESPECÍFICOS, PUDIENDO USTED TENER OTROS DERECHOS QUE VARÍAN DE UN ESTADO A OTRO. No intente alterar, modificar o enmendar esta garantía, sin la autorización escrita de personal oficial de BSH. **Como acceder a los servicios de garantía:** A fin de obtener servicios de garantía para su producto, deberá contactar el centro de servicio técnico Bosch, más cercano a su domicilio. BSH Home Appliances
5551 McFadden Avenue, Huntington Beach, CA 92649 / 800-944-2904



Robert Bosch Hausgeräte GmbH

Carl-Wery-Straße 34

81739 München

www.bosch-hausgeraete.de