

KAN..



BOSCH

en Operating and installation instructions

en Table of Contents

Congratulations	4
Safety and warning information	4
Information concerning disposal	5
Installation instructions	5
Installing and connecting the appliance	6
Unscrewing the appliance doors	6
Unscrewing the handles	7
Appliances and installation dimensions	8
Door opening angle	8
Getting to know your appliance	9
Control and display panel	10
Switching on the appliance	11
Selecting the temperature	11
Warning signal	11
Super cooling	12
Super freezing	12
Storing food in the appliance	12
Refrigerator compartment	13
Usable capacity	13
Re-arranging the interior	13
Freezer compartment	13
Features of the freezer compartment	13
Freezing food	14
Making ice cubes	14
Purchasing and storing deep-frozen food	14
Thawing frozen food	14
Tips for saving energy	14
Operating noises	15
Defrosting the appliance	15
Switching off and disconnecting the appliance	15
Cleaning the appliance	15
Light	15
Eliminating minor faults yourself	16
Appliance self-test	16
Customer service	16

Congratulations

With the purchase of your new fridge-freezer you have opted for a modern, high-quality domestic appliance.

Your fridge-freezer is distinguished by its economical energy consumption.

Each appliance which leaves our factory is inspected thoroughly to ensure that it functions properly and is in perfect condition.

If you have any questions – particularly concerning installation and connection of the appliance – please do not hesitate to contact our customer service.

Further information and a selection of our products can be found on our home page.

Safety and warning information

Before you switch ON the appliance

Please read the operating and installation instructions carefully. They contain important information on how to install, use and maintain the appliance.

Keep all documentation for subsequent use or for the next owner.

Technical safety

Warning

- This appliance contains a small quantity of environmentally-friendly but flammable R600a refrigerant. Ensure that the tubing of the refrigerant circuit is not damaged during transportation and installation. Leaking refrigerant may cause eye injuries or ignite.

If damage has occurred

- Keep naked flames and/or ignition sources away from the appliance.
- Switch off the appliance and pull out the mains plug.
- Thoroughly ventilate the room for several minutes.
- Notify customer service.

The more refrigerant an appliance contains, the larger the room must be. Leaking refrigerant can form a flammable gas-air mixture in rooms which are too small.

The room must be at least 1 m³ per 8 g of refrigerant. The amount of refrigerant in your appliance is indicated on the rating plate inside the appliance.

- Only customer service may change the power cord and carry out any other repairs. Improper installations and repairs may put the user at considerable risk.

Important information when using the appliance

- Never use electrical appliances inside the appliance (e.g. heaters, electric ice makers, etc.). **Risk of explosion!**
- NEVER use a steam cleaner to defrost or clean the appliance! Steam may come into contact with electrical components and cause a short-circuit or an electric shock.
- Do not store products which contain flammable propellants (e.g. spray cans) or explosive substances in the appliance. **Risk of explosion!**
- Do not stand or support yourself on the base, drawers or doors, etc.
- To clean the appliance, pull out the mains plug or switch off the fuse! Do not pull out the mains plug by tugging the cable.
- Bottles which contain a high percentage of alcohol must be sealed and stored in an upright position.
- Keep plastic parts and the door seal free of oil and grease. Otherwise, parts and door seal will become porous.
- Never cover or block the ventilation openings for the appliance.
- People who have limited physical, sensory or mental abilities or inadequate knowledge must not use this appliance unless they are supervised or given meticulous instructions.
- Do not store bottled or canned drinks (especially carbonated drinks) in the freezer compartment. Bottles and cans may explode!
- Do not put an ice lolly or ice cube directly from the freezer compartment into your mouth. **Risk of burns** from very low temperatures!
- Never touch frozen food with wet hands. Your hands could freeze to the food. **Risk of injury!**

Children in the household

- Do not allow children to play with the appliance!
- If the appliance features a lock, keep the key out of the reach of children.

General regulations

The appliance is suitable

- for refrigerating food,
- for freezing food,

The appliance is intended for domestic use only.

The appliance is suppressed according to EU Directive 89/336/EEC.

The refrigeration circuit has been checked for leaks.

Information concerning disposal

Disposal of packaging


The packaging protects your appliance from damage during transit. All utilised materials are environmentally safe and recyclable. Please help us by disposing of the packaging in an environmentally friendly manner.

Please ask your dealer or inquire at your local authority about current means of disposal.

Warning

Keep children away from packaging and its parts. Danger of suffocation from collapsible boxes and foil!

Old appliances are not worthless rubbish! Valuable raw materials can be reclaimed by recycling old appliances.

 This appliance has been identified in accordance with the European directive 2002/96/EG on Waste Electrical and Electronic Equipment – WEEE. The directive specifies the framework for an EU-wide valid return and recycling of old appliances.

Warning

Redundant appliances

1. Pull out the mains plug.
2. Cut off the power cord and discard with the mains plug.

Refrigerators contain refrigerants and the insulation contains gases. Refrigerant and gases must be disposed of professionally. Ensure that tubing of the refrigerant circuit is not damaged prior to proper disposal.

Installation instructions

Transporting

The appliances are heavy and must be secured during transportation and installation.

Because of the weight / dimensions of the appliance and to minimise the risk of injuries and damage to the appliance at least two persons are necessary to set-up the appliance securely.

Installation location

Install the appliance in a dry, well ventilated room. The installation location should neither be exposed to direct sunlight nor near a heat source, e.g. a cooker, radiator, etc. If installation next to a heat source is unavoidable, use a suitable insulating plate or observe the following minimum distances to a heat source:

- 3 cm to electric or gas cookers.
- 30 cm to an oil or solid-fuel cooker.

If installing the appliance next to another refrigerator or freezer, there must be a minimum gap of 25 mm between the appliances in order to prevent condensation.

If a panel or cupboard is installed above the appliance, ensure that a gap of 30 mm is left so that the appliance can be pulled out of the recess if required.

The air heated on the rear side of the appliance must be allowed to escape unhindered.

Subsurface

Attention!

The appliance is very heavy.

Empty weight: 120 kg

The floor of the installation location must not give way; if required, reinforce floor.

To ensure that the doors can open all the way, observe lateral minimum distances when installing the appliance in a corner or recess (see chapter “Appliance and installation dimensions”).

If the depth of the adjacent kitchen equipment is more than 60 cm, observe lateral minimum distances in order to utilise the full door opening angle (see chapter “Door opening angle”).

Observe ambient temperature and ventilation

Ambient temperature

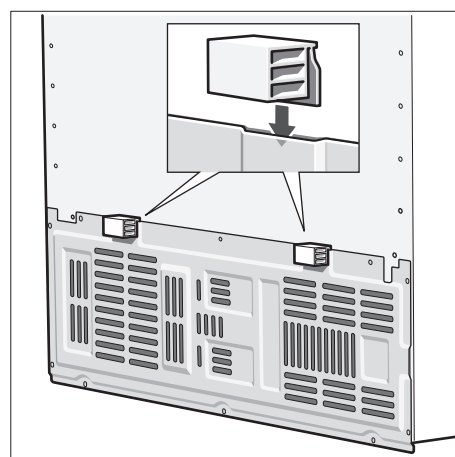
The climatic class can be found on the rating plate. It states the room temperature within which the appliance can be operated. The rating plate is located in the freezer compartment at the bottom right side.

Climatic class	Permitted ambient temperature
SN	+10 °C to 32 °C
N	+16 °C to 32 °C
ST	+16 °C to 38 °C
T	+16 °C to 43 °C

Ventilation

Place the enclosed spacers in the designated holders on the back of the appliance. This ensures that there is a minimum distance of 25 mm between the appliance and the wall.

Otherwise the refrigerating unit must work harder, increasing the power consumption.



Installing and connecting the appliance

- Have a technician install and connect the appliance according to the enclosed installation instructions.
- After installing the appliance, wait at least 1 hour before switching it on. During transportation the oil in the compressor may have flowed into the refrigeration system.
- Before switching on the appliance for the first time, clean the interior of the appliance (see chapter "Cleaning the appliance").
- In addition to the statutory national regulations, observe the connection conditions of the local power supply companies.
- Do not remove the transportation protection devices from the shelves and storage compartments until the appliance has been installed.

Electrical connection

Do not use extension cables or distributors. This appliance must be connected to a permanently installed socket.

The socket for connection of the appliance must be freely accessible. Connect the appliance to a 220–240 V/50 Hz ac current via a socket which has been properly installed. The socket must be fused with a 10 to 16 A fuse or higher.

If the appliance is to be operated in a non-European country, check on the rating plate whether the indicated voltage and current type correspond to the values of your mains supply. The rating plate is situated in the bottom right-hand side of the appliance. The power cord may be replaced by an electrician only.

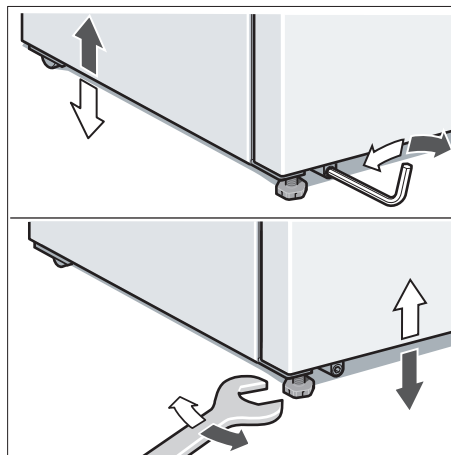
⚠ Warning!

Never connect the appliance to electronic energy saver plugs (e.g. Ecoboy: Sava Plug) or to power inverters which convert the direct current to 230 V alternating current (e.g. solar equipment, power supplies on ships).

Aligning the appliance

To ensure that the appliance functions correctly, it must be set level with a spirit level.

If the appliance is not level, water may flow out of the ice maker, ice cubes may be irregular or the doors may not close properly.



- Place the appliance in the designated location.
- Align front feet with a hexagon wrench.
- Align rear feet with an Allen key.

Unscrewing the appliance doors

If the appliance will not fit through the house door, the appliance doors can be unscrewed.

We recommend that installation is carried out by our customer service.

Attention!

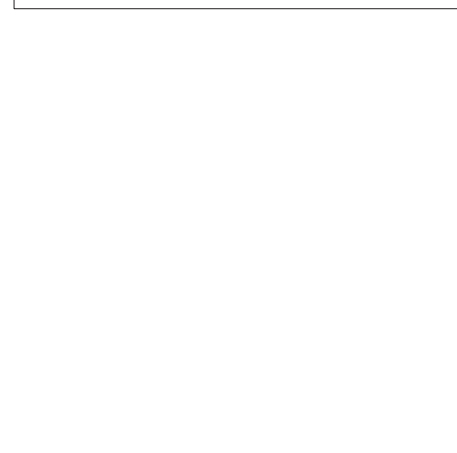
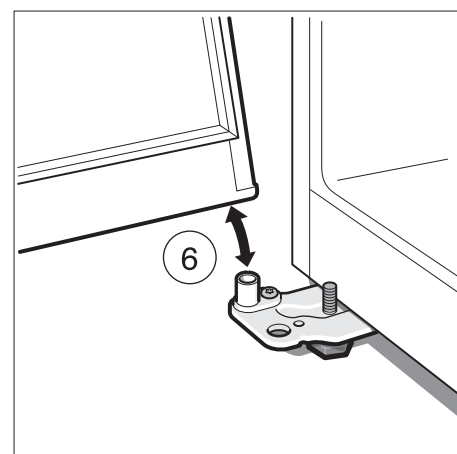
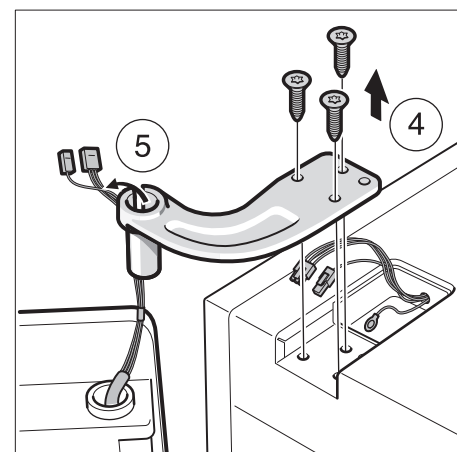
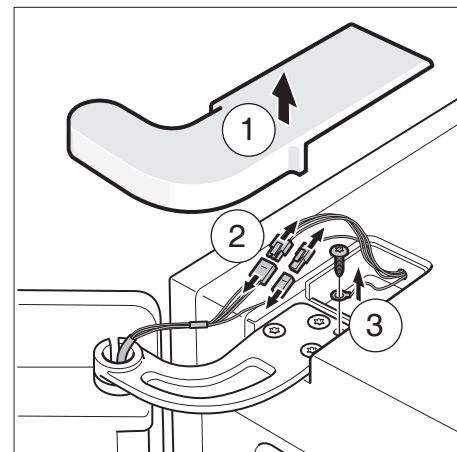
Before you unscrew the positioning aids from the appliance door:

1. Switch off the appliance.
2. Pull out the mains plug or switch off the fuse.

Attention!

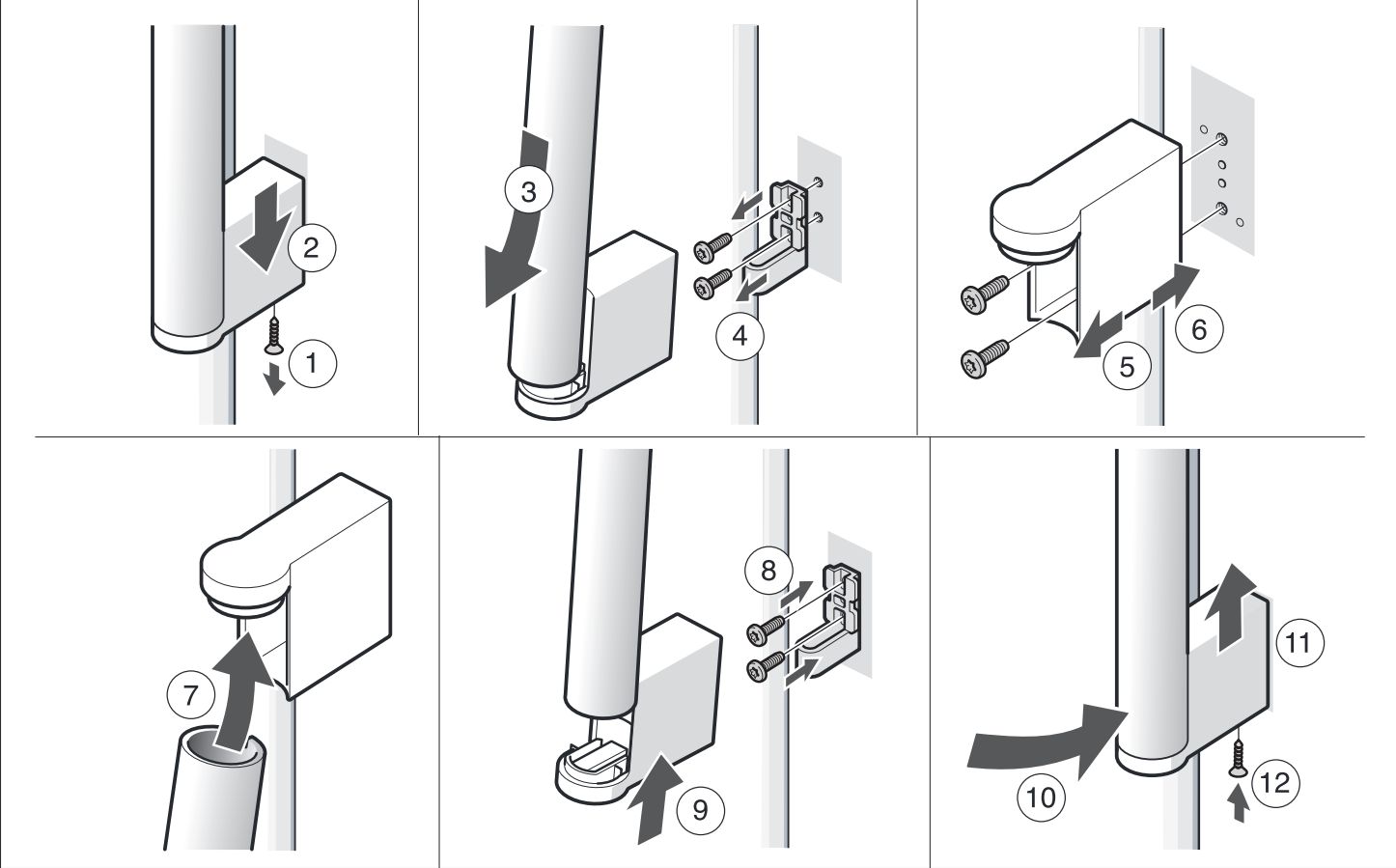
Before re-attaching the doors in reverse sequence, ensure that the appliance is level in the installation location.

Unscrewing the doors

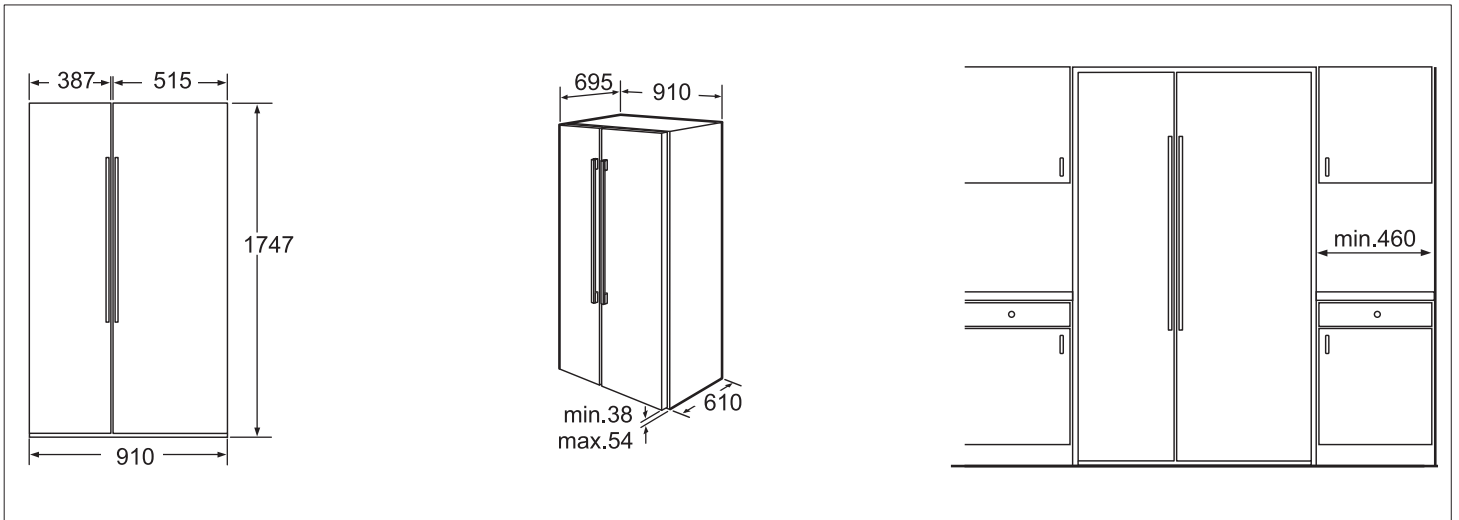


Unscrewing the handles

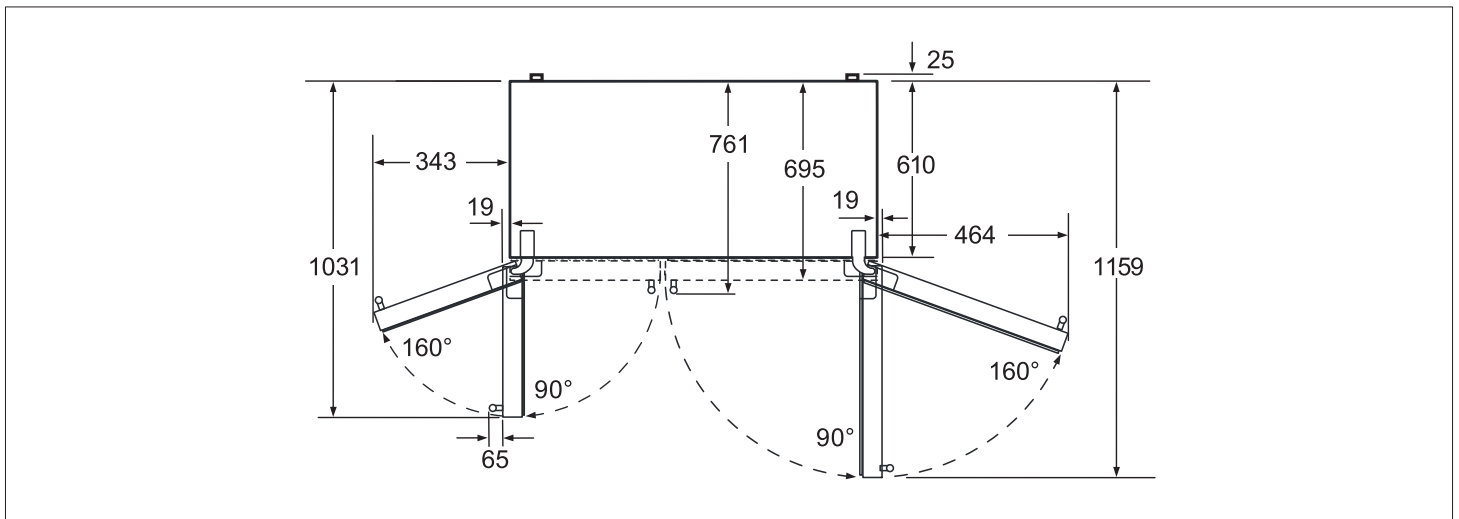
If the appliance will not fit through the house door, the appliance door handles can be unscrewed.



Appliances and installation dimensions

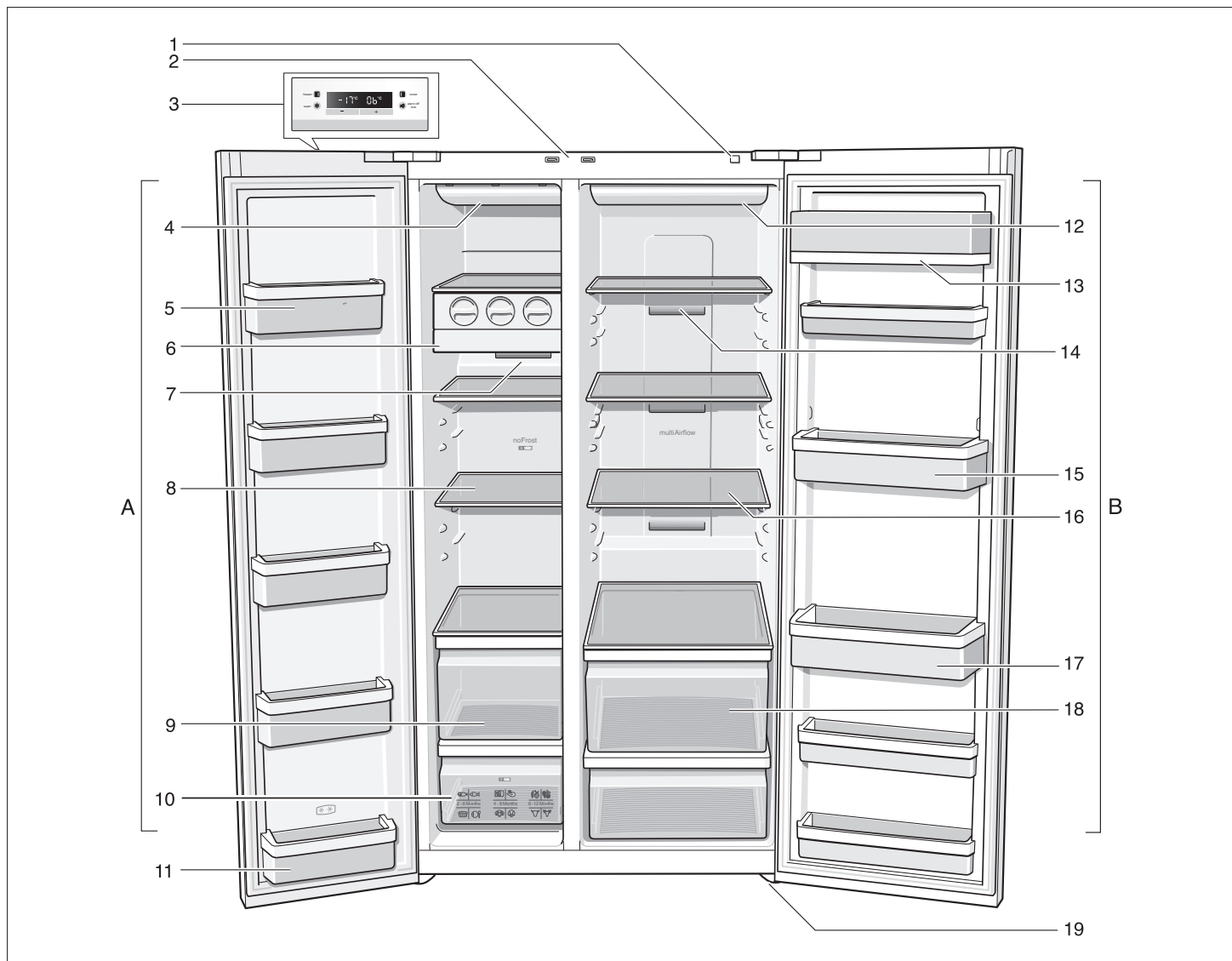


Door opening angle



Getting to know your appliance

These operating instructions refer to several models. The diagrams may differ.



- A** Freezer compartment can be selected from $-14\text{ }^{\circ}\text{C}$ to $-24\text{ }^{\circ}\text{C}$
- B** Refrigerator compartment can be selected from $+2\text{ }^{\circ}\text{C}$ to $+8\text{ }^{\circ}\text{C}$

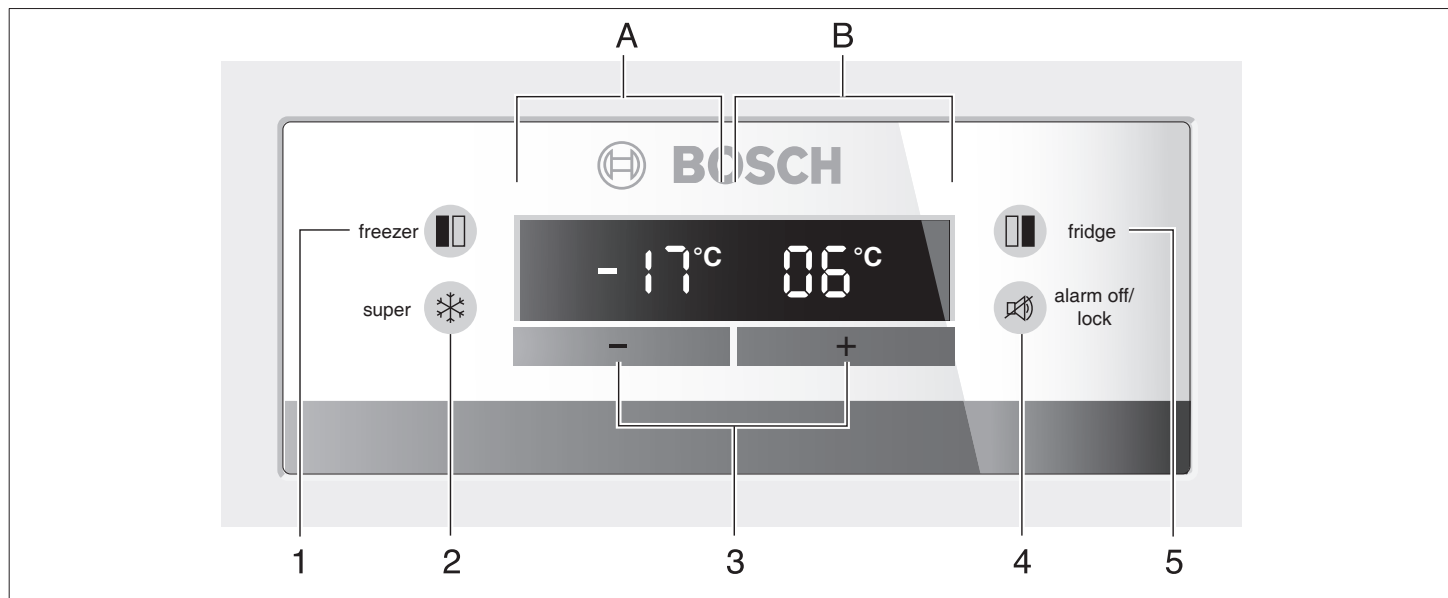
- 1** On/Off button
- 2** Light switch for refrigerator and freezer compartments
- 3** Control and display panel
- 4** Light, freezer compartment
- 5** Door storage compartment
- 6** Ice maker
- 7** Air outlet openings
- 8** Glass shelves in freezer compartment
- 9** Freezer drawer
- 10** Frozen-food calendar
- 11** Door storage compartment (2-star compartment) for short-term storage of food and ice cream.
- 12** Light, refrigerator compartment
- 13** Butter and cheese compartment
- 14** Air outlet openings
- 15** Door storage compartment, refrigerator compartment
- 16** Glass shelves in refrigerator compartment
- 17** Shelf for large bottles
- 18** Vegetable container
- 19** Height-adjustable feet

* not all models

Control and display panel

The control and display panel on the door consists of a touch pad.

Touch the keypad to actuate the corresponding function.



1 “freezer” button

To implement settings for the freezer compartment, press button until “freezer” is lit on the display panel.

2 “super” button

To switch on the Super freeze or Super cool functions.

See “Super freeze” and “Super cool” section.

3 “+/-” button

The selected temperature is set with the “+” and “-” buttons.

4 “alarm off/lock” button

The button is used to

- a) Switch off the warning signal. See “Acoustic alarm” section.
- b) Switch the button lock on and off.

When the “lock” function is activated, no settings are possible via the control panel.

Exception: If there is a warning message, the “alarm off/lock” button can be pressed.

To switch on and off, press button for 5 seconds. When the function is switched on, “lock” is lit on the display panel.

5 “fridge” button

To implement settings for the refrigerator compartment area, press button until “fridge” is lit in the display panel.

A Display panel, freezer compartment

B Display panel, refrigerator compartment

Switching on the appliance

Switch on the appliance with the ON/OFF button.

Press the "alarm off/lock" button. The warning signal switches off.

The "alarm" display goes out as soon as the set temperature has been reached.

The factory has recommended the following temperatures:

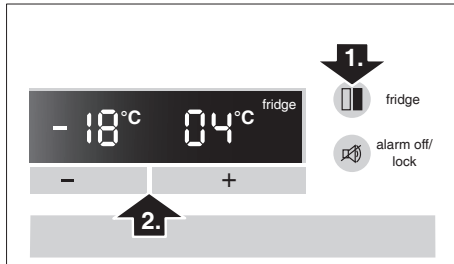
Refrigerator compartment: +4 °C

Freezer compartment: -18 °C

Selecting the temperature

Refrigerator compartment

1. Select the refrigerator compartment area with the "fridge" button until "fridge" is lit on the display panel.
2. Set the temperature with the + (warmer) or - (cooler) selection buttons.



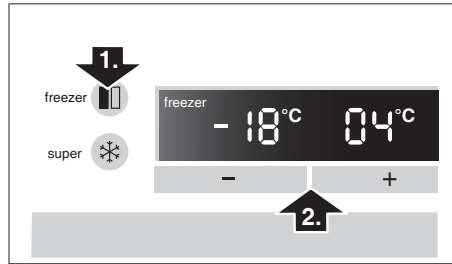
The temperature can be set at 1 °C intervals.

The refrigerator compartment can be set from +2 °C to +8 °C.

Perishable food should not be stored warmer than +4 °C.

Freezer compartment

1. Press "freezer" button until "freezer" is lit on the display panel.
2. Set the temperature with the + (warmer) or - (cooler) selection buttons.



The freezer compartment can be set from -14 °C to -24 °C.

The value last indicated is saved by the system.

Warning signal

In the following cases a warning signal may sound.

The door warning signal

The door warning signal sounds if one of the appliance doors is open for longer than one minute. Close the door to switch off the warning signal.

Press the "alarm off/lock" button to switch off the warning signal.

Temperature warning signal

The temperature warning signal switches on if the freezer or refrigerator compartment is too warm and the food is at risk of thawing.

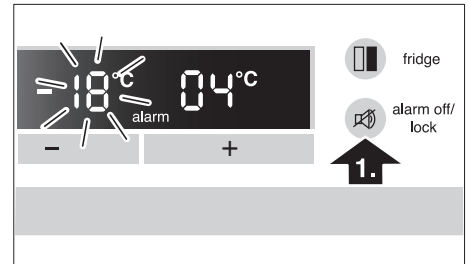
The acoustic and optical signals may be actuated without risk to the frozen food when:

- The appliance is switched on.
- Large quantities of fresh food are placed in the freezer.

Freezer compartment

The set temperature of the freezer compartment flashes and "alarm" is displayed.

Press the "alarm off/lock" button to switch off the warning signal.



The temperature display indicates for 10 seconds the warmest temperature which was reached in the freezer compartment. Then the set temperature is displayed again.

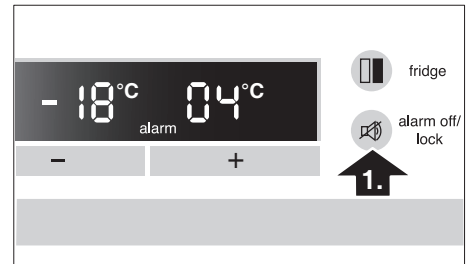
The "alarm" display goes out as soon as the set temperature has been reached.

Attention!

Do not refreeze food which has started to thaw or already thawed. It can only be refrozen when it has been used to prepare a ready meal (boiled or fried). No longer store the frozen produce for the max. storage period.

Refrigerator compartment

"alarm" is indicated on the refrigerator compartment display panel.



Press the "alarm off/lock" button to switch off the warning signal.

Attention!

If the refrigerator compartment has become too warm, cook warmed refrigerated food before consumption. If in doubt, do not use raw food.

Super cooling

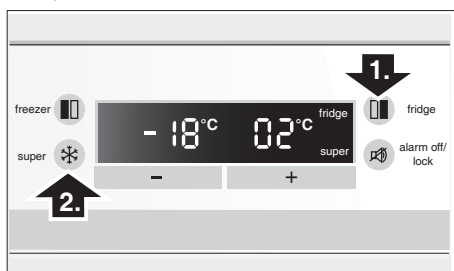
Super cooling cools the refrigerator compartment to the lowest temperature for approx. 6 hours. Then the temperature set before super mode is automatically restored.

Super cooling is recommended especially:

- Before placing large quantities of food in the refrigerator compartment.
- to cool drinks quickly.

Switching on super cooling

1. Select the refrigerator compartment area with the “fridge” button until “fridge” is lit on the display.
2. Then press the “super” button. “super” is indicated on the display panel.



Switching off super cooling

As when switching on super cooling, select the refrigerator compartment area, then press the “super” button. “super” goes out on the display panel.

Super freezing

Food should be frozen solid as quickly as possible. Vitamins, nutritional values, appearance and taste are therefore retained.

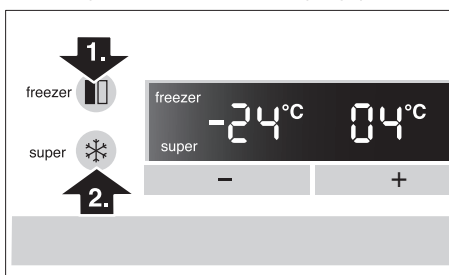
To prevent an undesirable temperature rise when placing fresh food in the freezer compartment, switch on super freezing several hours beforehand.

As a rule, 4–6 hours is adequate. If max. freezing capacity is to be utilised, 24 hours are required.

Smaller quantities of food can be frozen without super freezing.

Switching on super freezing

1. Select the freezer compartment area with the “freezer” button. “freezer” is lit on the display panel.
2. Then press the “super” button. “super” is lit on the display panel.



Switching off super freezing

To switch off, press the “super” button again.

Super freezing switches off automatically after 2½ days at the latest.

Storing food in the appliance

Arranging food in the appliance

- Allow warm food and drinks to cool down outside the appliance.
- Do not block air outlet openings with food in the refrigerator compartment, otherwise the air circulation will be impaired.
- Pack or cover food before placing in the appliance. This will retain the aroma, colour and freshness of the food.

We recommend arranging the food as follows:

- On the shelves in the refrigerator compartment:
Bakery products, ready meals, cold sensitive fruit and vegetables
- In the door (from top to bottom):
butter, cheese, eggs, tubes, small bottles, large bottles, milk, juice cartons.
- In the vegetable container:
vegetables, salad, fruit.
- In the freezer compartment:
Frozen food, ice cubes, ice cream.

Refrigerator compartment

The refrigerator compartment can be adjusted between +2 °C and +8 °C.

We recommend a setting of +4 °C.

Perishable food should not be stored warmer than +4 °C.

Using the refrigerator compartment

For storage of cakes and pastries, ready meals, tinned food, condensed milk, hard cheese, fruit and vegetables sensitive to the cold: tropical fruit, e.g. mandarins, bananas, pineapples, melons, avocados, papayas, passion fruit, aubergines, also fruit which requires further ripening, tomatoes, cucumbers, green tomatoes, potatoes.

When storing food, comply with the following:

- Allow warm food and drinks to cool down outside the appliance.
- To prevent food from losing its flavour or drying out, place in airtight containers.
- Do not block air outlet openings with food, otherwise the air circulation will be impaired.
- Avoid contact of oil and fat with the plastic parts and door seal.
- Store high-percentage alcohol tightly closed and standing up, do not store any explosive substances in the appliance. **Risk of explosion!**

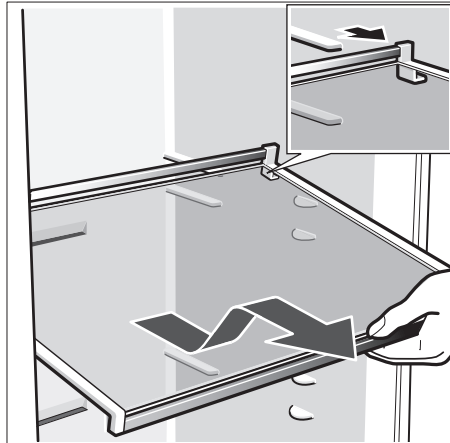
Usable capacity

Information on the usable capacity can be found inside your appliance on the rating plate (see diagram in chapter "Customer service").

Re-arranging the interior

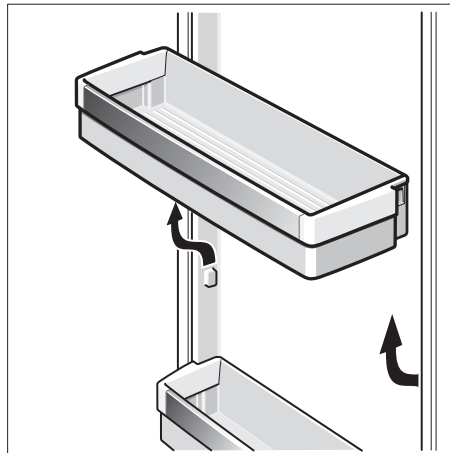
You can vary the interior shelves and the containers as required:

Shelves



Pull shelf forwards, lower and swing out to the side.

Door storage compartment



Lift door container and take out.

Freezer compartment

The freezer compartment temperature can be set from -14 °C to -24 °C.

We recommend a setting of -18 °C.

Use the freezer compartment:

- For storing deep-frozen food.
- To freeze food.
- To make ice cubes.

Note

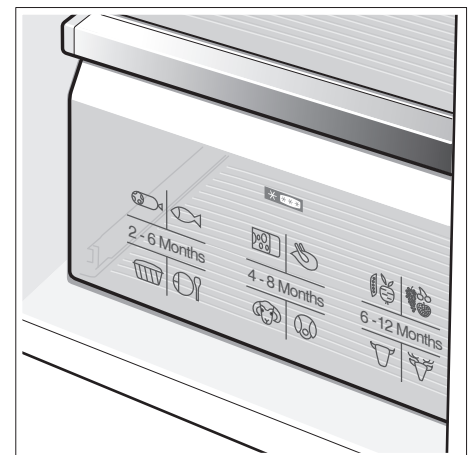
Ensure that the freezer compartment door is always closed. If the door is open, the frozen food will thaw. The freezer compartment will become covered in thick ice. Also: Energy will be lost due to high power consumption.

When the freezer compartment door is closed, a low pressure occurs, causing a sucking noise. Wait two to three minutes until the low pressure has adjusted itself.

Features of the freezer compartment

(not all models)

Freezer calendar



The figures next to the symbols indicate the permitted storage period of the produce in months. When purchasing frozen produce, observe the date of manufacture or sell-by date.

Freezing food

Freeze fresh, undamaged food only. Keep food which is to be frozen away from food which is already frozen. To prevent food from losing its flavour or drying out, place in airtight containers.

Freezing capacity

Information about the max. freezing capacity within 24 hours can be found on the rating plate (see chapter "Customer service").

Packing food correctly:

1. Place the food in the wrapping.
2. Press out all the air.
3. Seal the wrapping.
4. Label the wrapping with the contents and date.

The following products are not suitable for wrapping food:

Wrapping paper, greaseproof paper, cellophane, refuse bags and used shopping bags.

The following products are suitable for wrapping food:

Plastic film, polyethylene blown film, aluminium foil and freezer tins. These products can be purchased from your dealer.

The following products are suitable for sealing the wrapped food:

Rubber bands, plastic clips, string, cold-resistant adhesive tape or similar. Bags and polyethylene blown film can be sealed with a film sealer.

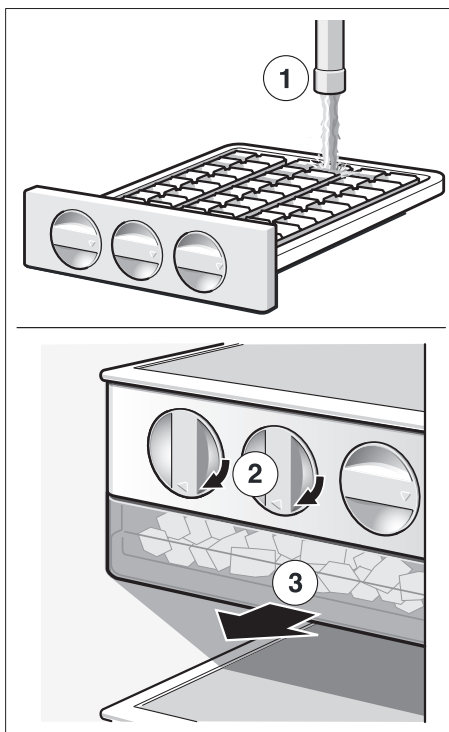
Shelf life of frozen food

Storage duration depends on the type of food. At a temperature setting of -18°C :

- Fish, sausage, ready meals and cakes and pastries:
up to **6 months**
- Cheese, poultry and meat:
up to **8 months**
- Vegetables and fruit:
up to **12 months**

Making ice cubes

1. Remove the ice cube tray, fill $\frac{3}{4}$ full of water and re-insert.
2. When the ice cubes are frozen, rotate the knobs on the ice cube trays several times to the right and release. The ice cubes loosen and fall into the storage container.
3. Remove ice cubes from the storage container



Purchasing and storing deep-frozen food

When purchasing frozen food, observe the following:

- Check that the packaging is not damaged.
- Check the sell-by date.
- The temperature of the supermarket freezer should be -18°C or lower. If not, the shelf life of the frozen food is reduced.
- Purchase deep-frozen food last. Wrap food in newspaper or place in a cool bag and take home.
- At home immediately place deep-frozen food in the freezer compartment. Consume the frozen food before the use-by date expires.

Thawing frozen food

Depending on the type and application, select one of the following options:

- at room temperature,
- in the refrigerator,
- in an electric oven with/without hot-air fan,
- in the microwave.

Note

Do NOT refreeze food which is beginning to thaw or which has already thawed. The food cannot be refrozen until it has been prepared (boiled or fried).

No longer store the frozen produce for the max. storage period.

Tips for saving energy

- Install the appliance in a cool, well ventilated room, but not in direct sunlight and not near a heat source (radiator, cooker, etc.). If required, use an insulating plate.
- Allow warm food and drinks to cool down before placing in the appliance!
- When thawing frozen food, place it in the refrigerator compartment. The low temperature of the frozen products cools the food in the refrigerator.
- Open the appliance door as briefly as possible.

Operating noises

Quite normal noises

Humming – refrigerating unit is running. The fan in the circulating air system is running.

Bubbling, gurgling or whirring noises – refrigerant is flowing through the tubing. Water flowing into the ice maker.

Clicking – motor is switching on or off. Solenoid valve on the water connection is opening or closing.

Preventing noises

The appliance is not level

Please align the appliance with a spirit level. Use the height-adjustable feet or place packing underneath them.

The appliance is not free-standing

Please move the appliance away from adjacent units or appliances.

Drawers, baskets or storage areas wobble or stick

Please check the removable parts and, if required, reinsert them.

Receptacles are touching each other

Please move bottles or receptacles away from each other.

Defrosting the appliance

Freezer compartment

The fully automatic Nofrost system ensures that the freezer compartment remains free of ice. Defrosting is no longer required.

Refrigerator compartment

Defrosting is actuated automatically.

The condensation runs through the drainage hole into an evaporation pan on the rear of the appliance.

Switching off and disconnecting the appliance

Switching off the appliance

- Switch off the appliance.
- Pull out the mains plug.

Disconnecting the appliance

If you do not use the appliance for a prolonged period:

- Take all food out of the appliance.
- Switch off the appliance.
- Pull out the mains plug.
- Clean the appliance interior (see chapter "Cleaning the appliance").

To prevent odours, leave the doors open.

Cleaning the appliance

⚠ Warning

Never clean the appliance with a steam cleaner!

Attention!

Do not use abrasive or acidic cleaning agents and solvents.

Never clean shelves and containers in the dishwasher. The parts may warp!

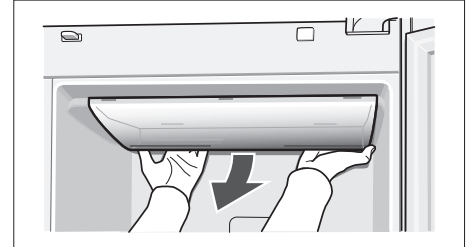
Cleaning

- Before cleaning: Switch off the appliance and pull out the mains plug.
- Take the refrigerated food out of the appliance and store in a cool location.
- Clean the appliance with lukewarm water and a little washing-up liquid.
- Wipe the door seal with water only and then dry thoroughly.
- Clean the surface of the appliance with a soft damp cloth and a little washing-up liquid. Afterwards, rub dry.
- After cleaning: reconnect and switch on the appliance.

Light

Changing over the bulbs for refrigerator and freezer compartments

- **Attention!** Switch off the appliance and pull out the mains plug or switch off the fuse.



- Remove the cover.
- Change the bulb. Replacement bulb max. 25 W, 220–240 V a.c., E14 bulb holder.
- Re-attach the cover.

Eliminating minor faults yourself

Before you call customer service:

- Please check whether you can eliminate the fault yourself based on the following information.
- Run an appliance self-test (see chapter “Appliance self-test”).

You must pay for customer service advice – even during the warranty period!

Fault	Possible cause	Remedial action
Temperature differs greatly from the set value.		In some cases it is adequate to switch off the appliance for 5 minutes. If the temperature is too high , wait a few hours and check whether the temperature has approached the set value. If the temperature is too low , check the temperature again the next day.
No display on the display panel.	The mains plug of the appliance is not in the socket properly. The fuse for the domestic supply is switched off.	Check whether the power is on, the fuse must be switched on.
“E” is indicated on the display panel.	Electronics module defective.	Call Customer service.
Warning signal sounds and the temperature display on the freezer compartment flashes.	The freezer compartment is too warm! Frozen food is at risk! <ul style="list-style-type: none"> • The ventilation openings have been covered. • Freezer compartment door is open. • Too much food was placed in the freezer compartment at once. 	Press the “alarm off/lock” button to switch off the warning signal and the flashing display. The warmest temperature reached in the freezer compartment is indicated on the temperature display of the freezer section for 10 seconds. Note: Frozen food which has started thawing or which has thawed can be refrozen if meat and fish were above +3 °C for not more than one day or other frozen food was above +3 °C for not more than three days.
The interior light is not functioning.	The light switch for the freezer or refrigerator compartment is sticking. The light is defective.	Check whether the light switch can move. See chapter “Light”.
The appliance becomes slightly louder for a brief period.	Not a fault! Your appliance is designed to save energy. Under certain conditions (e.g. activation of the Super function) the appliance must work harder for a brief period and therefore becomes slightly louder.	

Appliance self-test

Your appliance features an automatic self-test program which shows you sources of faults which may be repaired by customer service only.

Starting the appliance self-test

- Switch off the appliance and wait 5 minutes.
- Switch on the appliance again.
- Simultaneously press button “+” and “-” button for 5 seconds.

The self-test programme starts. If “E..” is indicated on the display panel, an error has occurred. If a fault is indicated, inform customer service.

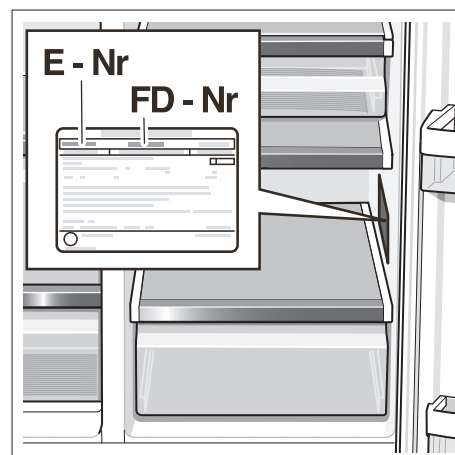
Ending the appliance self-test

- Press the “+” and “-” buttons again for 5 seconds.


Customer service

Your local customer service can be found in the telephone directory or in the customer-service index. Please provide customer service with the appliance product number E-Nr.) and production number (FD).

This information can be found on the rating plate.



To prevent unnecessary call-outs, please assist customer service by quoting the product and production numbers. This will save you additional costs.



Robert Bosch Hausgeräte GmbH

Carl-Wery-Straße 34

D-81739 München

Internet: <http://www.bosch-hausgeraete.de>