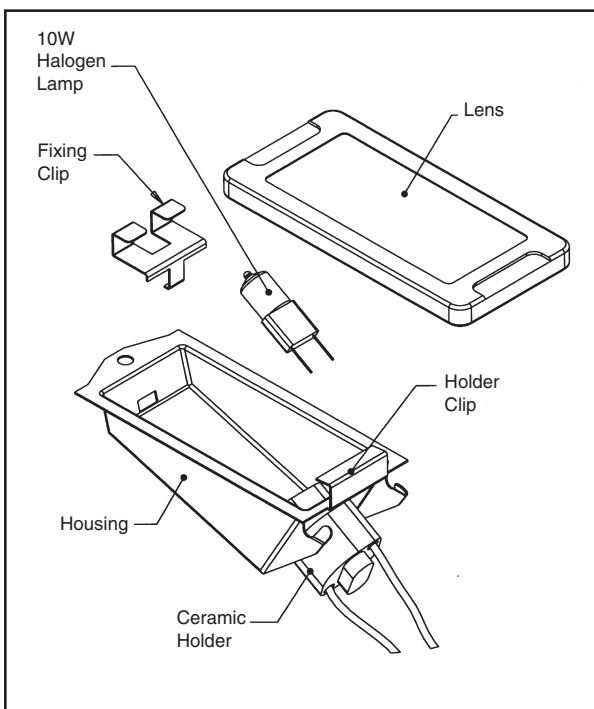
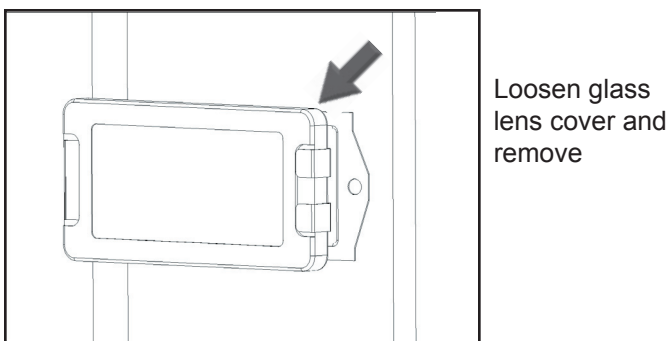
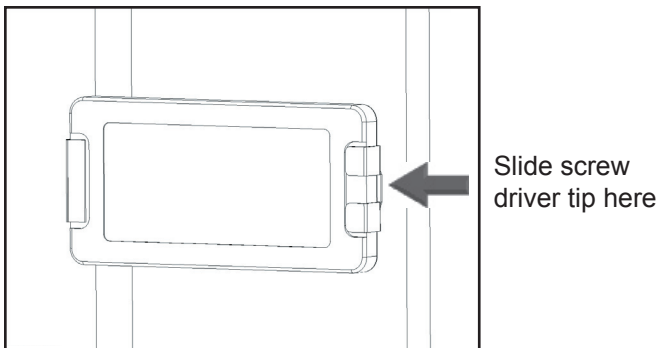


Important: Alternate Halogen Bulb Replacement Instructions

To replace the halogen bulb on the oven sidewall:



1. Turn off circuit breaker.
2. Remove oven racks.
3. Slide the tip of a flat blade screw driver between the fixing clip and the lamp housing.
4. Support the glass lens cover with two fingers along the bottom edge to prevent the cover from falling to the bottom of the oven.
5. Gently twist the flat blade screw driver to loosen the glass lens cover.
6. Remove the glass lens cover and fixing clip.
7. Remove the bulb by grasping and sliding the bulb straight up until the two prongs have cleared the ceramic holder.
8. Do not touch the glass of the new replacement bulb with your fingers. It will cause the bulb to fail when it first lights. Grasp the replacement bulb with a clean paper towel or facial tissue with the prongs facing down. Locate the two prongs in the ceramic holder, gently poking until the two prongs locate in the ceramic socket.
9. Press down to seat the bulb.
10. Slide the protective lens into the holder clip and push the other end until the fixing clip snaps back into the housing.
11. Turn on circuit breaker.