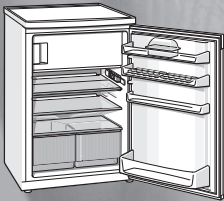




KTR../KTL..

en Operating instructions



en Index

Information concerning disposal	3	The freezer compartment	11
Safety and warning information	3	Freezing and storing frozen food	11
Changing over the door hinges	5	Max. freezer capacity	11
Installing appliance under worktop	6	Freezing food	12
Connecting the appliance	6	Thawing frozen food	12
Getting to know your appliance	7	Switching off and disconnecting the appliance	13
Observe ambient temperature and ventilation	7	Defrosting the freezer compartment	13
Switching on the appliance	8	Cleaning the appliance	14
Storing of food	9	Tips for saving energy	15
Usable capacity	9	Operating noises	15
Interior fittings of refrigerator compartment	10	Eliminating minor faults yourself	16
Sticker “OK”	10	Customer service	18

Information concerning disposal

Disposal of packaging

The packaging protects your appliance from damage during transit. All packaging materials are environmentally friendly and recyclable. Please contribute to a better environment by disposing of packaging materials in an environmentally-friendly manner.

Please ask your dealer or inquire at your local authority about current means of disposal.

Disposal of your old appliance

Old appliances are not worthless rubbish! Valuable raw materials can be reclaimed by recycling old appliances.



This appliance is labelled in accordance with European Directive 2002/96/EG concerning used electrical and electronic appliances (waste electrical and electronic equipment - WEEE). The guideline determines the framework for the return and recycling of used appliances as applicable throughout the EU.

Warning

Redundant appliances:

1. Pull out the mains plug.
2. Cut off the power cord and discard with the mains plug.

Refrigerators contain refrigerants and the insulation contains gases. Refrigerant and gases must be disposed of properly. Ensure that tubing of the refrigerant circuit is not damaged prior to proper disposal.

Safety and warning information

Before you switch ON the appliance

Please read the operating and installation instructions carefully.

They contain important information on how to install, use and maintain the appliance.

Keep all documentation for subsequent use or for the next owner.

Technical safety

- This appliance contains a small quantity of environmentally-friendly but flammable R600a refrigerant. Ensure that the tubing of the refrigerant circuit is not damaged during transportation and installation. Leaking refrigerant may cause eye injuries or ignite.

If damage has occurred

- Keep naked flames and/or ignition sources away from the appliance.
- Thoroughly ventilate the room for several minutes.
- Switch off the appliance and pull out the mains plug or switch off the fuse.
- Notify customer service.

The more refrigerant an appliance contains, the larger the room must be. Leaking refrigerant can form a flammable gas-air mixture in rooms which are too small.

The room must be at least 1 m³ per 8 g of refrigerant. The amount of refrigerant in your appliance is indicated on the rating plate inside the appliance.

- Only customer service may change the power cord and carry out any other repairs. Improper installations and repairs may put the user at considerable risk.

Important information when using the appliance

- Never use electrical appliances inside the appliance (e. g. heaters, electric ice makers, etc.). **Risk of explosion!**
- Never use a steam cleaner to defrost or clean the appliance. The steam may penetrate electrical parts and cause a short-circuit.
Risk of electric shock!
- Do not use pointed or sharp-edged implements to remove frost or layers of ice.
You could damage the refrigerant tubing. Leaking refrigerant may ignite or cause eye injuries.
- Do not store products which contain flammable propellants (e. g. spray cans) or explosive substances in the appliance. **Explosion hazard!**
- Do not stand or support yourself on the base, drawers or doors, etc.
- Before defrosting or cleaning the appliance, switch off the appliance, pull out the mains plug or switch off the fuse.
Pull on the mains plug, not on the power cord.
- Bottles which contain a high percentage of alcohol must be sealed and stored in an upright position.

- Keep plastic parts and the door seal free of oil and grease. Otherwise, parts and door seal will become porous.
- Never cover or block the ventilation openings for the appliance.
- People who have limited physical, sensory or mental abilities or inadequate knowledge must not use this appliance unless they are supervised or given meticulous instructions.

Only for appliances with a freezer compartment:

- Do not store bottled or canned drinks (especially carbonated drinks) in the freezer compartment. Bottles and cans may explode!
- Never put frozen food straight from the freezer compartment into your mouth.
Risk of low-temperature burns!
- Avoid prolonged touching of frozen food, ice or the evaporator pipes, etc.
Risk of low-temperature burns!

Children in the household

- Keep children away from packaging and its parts. Danger of suffocation from folding cartons and plastic film!
- Do not allow children to play with the appliance!
- If the appliance features a lock, keep the key out of the reach of children.

General requirements

The appliance is suitable

- for refrigerating and freezing food,
- for making ice.

The appliance is designed for domestic use.

The appliance has been interference-suppressed in compliance with EU Directive 2004/108/EC.

The refrigerant circuit has been tested for leaks.

This product complies with the relevant safety regulations for electrical appliances (EN 60335/2/24).

Installation

Installation location

Install the appliance in a dry, well ventilated room. The appliance should not be installed in direct sunlight or near a heat source such as a cooker, radiator, etc. If installation next to a heat source is unavoidable, use a suitable insulating plate.

Observe the following minimum distances to heat sources:

- 3 cm to electric or gas cookers.
- 30 cm to an oil or solid-fuel cooker.

If installing the appliance next to another refrigerator or freezer, there must be a minimum gap of 2 cm between the appliances in order to prevent condensation.

Aligning the appliance

Fig. 2/A

The appliance must be level. If the floor is uneven, use the front height-adjustable feet.

Changing over the door hinges

⚠ Warning!

While changing over the door hinges, ensure that the appliance is not connected to the power supply. Pull out the mains plug beforehand. Tilt back the appliance (if required, place packaging material, etc. underneath).

Appliance door

Fig. 3

The door hinges can be changed over if required by the installation location.

Installation in numerical sequence.

Freezer compartment door

Fig. 4

Installation in numerical sequence.

Installing appliance under worktop

After removing the worktop, the appliance can be installed under a worktop.

Fig. 1

Removing the worktop

- Unscrew screws at the rear of the worktop.
- Lift worktop slightly and remove.

Appliance ventilation

A ventilation cross-section of minimum 160 cm² is necessary for installation below a worktop. For this purpose, a vent measuring about 500 x 60 mm is required, which is available from DIY shops or specialist retailers.

- Mark the cut-out for the vent on the worktop centric to the appliance.
- Max. distance to wall 83 mm
- Note width "B" of the wall connection rail!
- Saw out the cutout. Chamfer the underside by approx. 4 mm.
- Insert and attach the ventilation grille.

Note

The vent is not required when the distance between the worktop and appliance is more than 5 cm.

Prior to installation

Before the appliance is pushed into a corner, the tabs from the top cover strip must be bent upwards; the tabs should previously be lifted with a knife or similar.

Fig. 2/B

Appliance installation under worktop

Insert the appliance into the cavity until the front edge of the appliance door is flush with the furniture doors of the adjacent cupboards.

Align the appliance with the height-adjustable feet until the upper edge of the appliance is situated on the worktop.

Adjust the height-adjustable feet with a screwdriver. **Fig. 2/A**

Fixing appliance to the worktop

Secure the appliance to the worktop with standard chipboard screws.

Connecting the appliance

After installing the appliance, wait at least 1 hour until the appliance starts up. During transportation the oil in the compressor may have flowed into the refrigeration system.

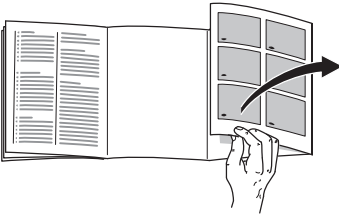
Before switching on the appliance for the first time, clean the interior (see Cleaning).

The socket should be freely accessible.

Connect the appliance to 220–240 V/ 50 Hz alternating current via a correctly installed earthed socket. The socket must be fused with a 10 A to 16 A fuse.

If the appliance is to be operated in a non-European country, check on the rating plate whether the indicated voltage and current type correspond to the values of your mains supply. The rating plate is situated in the bottom left-hand side of the appliance. The power cord may be replaced by a technician only.

Getting to know your appliance



Please fold out the illustrated last page. These operating instructions refer to several models.

The illustrations may differ.

Fig. 5

- 1 Ventilation openings *
 - 2 Temperature selector/Interior light
 - 3 Light switch
 - 4 Shelf in the refrigerator compartment
 - 5 Vegetable container
 - 6 Shelf for tubes and small tins
 - 7 Shelf for large bottles
-
- A Freezer compartment *
 - B Refrigerator compartment

Observe ambient temperature and ventilation

The appliance is designed for a specific climatic class. Irrespective of the climatic class, the appliance can be operated at the following room temperatures.

The climatic class can be found on the rating plate at the bottom left-hand side in the appliance.

Climatic class	Room temperature
SN	+10 °C to 32 °C
N	+16 °C to 32 °C
ST	+16 °C to 38 °C
T	+16 °C to 43 °C

If the room temperature is too cold for your appliance, the refrigerating unit operates less. As a result, the freezer compartment may become too warm. The frozen food may thaw in extreme cases.

Appliances which feature a room temperature switch can be operated at a room temperature of +16 °C to 10 °C when the switch has been switched on. As a result, the refrigerating unit operates more frequently.

To switch on, press the switch, **Fig. 6/2**, mark "O" is no longer visible. The light inside the appliance is lit at a reduced luminosity.

To save energy, switch off the room temperature switch as soon as the room temperature exceeds +16 °C again.

* only for appliances with a freezer compartment

Ventilation

Fig. 7

The air at the back of the appliance will heat up. This warm air must be allowed to freely escape, otherwise the refrigerating machine must perform more. This raises electricity consumption. Hence, the air-inlet and outlet apertures should never be covered or blocked off!

Switching on the appliance

Rotate temperature selector, **Fig. 6/2**, from controller position "0". The appliance starts refrigerating. Interior light is switched on when the door is open.

Selecting the temperature

We recommend storing perishable foods at a temperature not warmer than +4 °C.

When the controller is at a medium setting, the temperature drops to approx. +4 °C in the coldest zone. **Fig. 8**

Higher numbers result in lower temperatures in the refrigerator and freezer compartments.

We recommend:

- for short-term storage of food:
low controller setting (energy-saving mode)
- for long-term storage of food:
medium controller setting
- select a **higher** controller setting set a high controller setting only temporarily if: the door is opened frequently, large quantities of food are placed in the refrigerator compartment.

Refrigerating capacity

The temperature in the refrigerator compartment may rise temporarily if large amounts of food or a lot of drinks are placed in the refrigerator compartment.

Therefore the temperature controller should be set to a high setting for approx. 7 hours.

Operating tips

The refrigerator compartment temperature drops temporarily:

- by freezing large quantities of fresh food in the freezer compartment.

The refrigerator compartment temperature rises:

- if the appliance door is opened frequently,
- if large quantities of food are placed in the refrigerator compartment,
- if the ambient temperature is high.

Storing of food

Take note of the cold zones in the refrigerating zone!

Due to the air circulation in the refrigerating zone, zones with different temperatures are produced:

- **Coldest zone**
is between the arrow stamped on the side and the glass shelf situated below, **Fig. 8**.

Note: Store the most sensitive foods in the coldest zones (e.g. fish, sausage, meat).

- **Warmest zone**
is near the door at the top.

Note: Store the following in the warmest zone, e.g. cheese and butter. When serving, the cheese keeps its aroma and the butter remains spreadable.

When storing the food, note

that food is well wrapped or covered over. In this way, the aroma, colour and freshness remain. Apart from which, the transfer of taste and dyeing of plastic parts is avoided.

We recommend arranging the food as follows:

- **In the freezer compartment*** :
Frozen food, ice cubes, ice cream
- **On the shelves** in the refrigerator compartment (from top to bottom):
cakes and pastries, ready meals, dairy products, meat and sausage
- **In the vegetable container:**
vegetables, salad, fruit
- In the **door** (from top to bottom):
butter, cheese, eggs, tubes, small bottles, large bottles, milk, juice cartons

Usable capacity

Information on the usable capacity can be found inside your appliance on the rating plate.

Interior fittings of refrigerator compartment

If required, you can vary the shelves inside the appliance: pull the shelf forwards, lower and swivel out to the side. **Fig. 9**

Special features

not all models

Bottle shelf

Fig. 10

Bottles can be stored securely on the bottle shelf. The holder can be adjusted.

Vario shelf

Fig. 11

The front half of the Vario shelf can be taken out. You can then place tall items (e.g. cans, bottles) on the shelf below.

Bottle holder

Fig. 12

The bottle holder prevents bottles from falling over when the door is opened and closed.

Sticker “OK”

not all models

The “OK” temperature monitor can be used to determine temperatures below +4 °C. Gradually reduce the temperature if the sticker does not indicate “OK”.

Note

When the appliance is switched on, it may take 12 hours until the temperature is reached.



Correct setting



Temperature too high, reduce temperature.

The freezer compartment*

Use the freezer compartment

- For storing frozen food
- For making ice cubes
- For freezing small quantities of food

The freezer compartment door closes with a noticeable click.

Make sure the freezer compartment door is kept closed at all times. If the door is left open, the contents of the freezer compartment will start to thaw. There will be a build-up of ice inside the freezer compartment and, in addition, a considerable amount of energy will be wasted due to higher electricity consumption.

Door closed indicator

(not all models)

The door closed indicator **Fig. 13** signals that the freezer compartment door is closed properly.

- red display: the freezer compartment door is open
- white display: the freezer compartment door is closed

Freezing and storing frozen food*

Purchasing deep-frozen food

Packaging must not be damaged.

Use by the “best-before” date.

Temperature in the supermarket freezer $-18\text{ }^{\circ}\text{C}$ or lower.

If possible, transport deep-frozen food in an insulated bag and place quickly in the freezer compartment.

Max. freezer capacity

Food should be frozen right through as quickly as possible. Only in this way are vitamins, nutritional values, appearance and taste retained. Therefore, you should not exceed the maximum freezing capacity of your appliance.

Freezing capacity

Information about the max. freezing capacity within 24 hours can be found on the rating plate.

Note:

Freezing fresh food automatically causes the refrigerating unit to remain in operation until all items are frozen all the way through. **This can lead to a drop in temperature inside the refrigerator section.** Set the temperature selector to a lower setting.

Freezing food*

Freeze fresh, undamaged food only. Keep food which is to be frozen away from food which is already frozen. To prevent food from losing its flavour or drying out, place in airtight containers.

How to wrap food correctly:

1. Place the food in the wrapping.
2. Press out all the air.
3. Seal the wrapping.
4. Label the wrapping with the contents and date.

The following products are not suitable for wrapping food:

Wrapping paper, greaseproof paper, cellophane, refuse bags and used shopping bags.

The following products are suitable for wrapping food:

Plastic film, polyethylene blown film, aluminium foil and freezer tins.

These products can be purchased from your dealer.

The following products are suitable for sealing the wrapped food:

Rubber bands, plastic clips, string, cold-resistant adhesive tape or similar. Bags and polyethylene blown film can be sealed with a film sealer.

Storage duration of the frozen food

Depends on the type of food. At a mean temperature:

- Fish, sausage, ready meals and cakes and pastries:
up to **6 months**
- Cheese, poultry and meat:
up to **8 months**
- Vegetables and fruit:
up to **12 months**

Thawing frozen food*

Depending on the type of food and intended use, frozen produce can be thawed as follows:

- At room temperature
- In the refrigerator
- In an electric oven, with/without fan assisted hot-air
- In the microwave

Note

Do NOT refreeze food which is beginning to thaw or which has already thawed. It can only be refrozen when it has been used to prepare a ready meal (boiled or fried).

No longer store the frozen produce for the max. storage period.

Switching off and disconnecting the appliance

Switching off the appliance

Rotate the temperature selector, **Fig. 6/1**, from position "0". Refrigerating unit and interior light switch off.

Disconnecting the appliance

If the appliance is not used for a prolonged period:

1. Switching off the appliance.
2. Pull out the mains plug or switch off the fuse.
3. Cleaning the appliance.
4. Leave the appliance door open.

Defrosting the freezer compartment *

The freezer compartment does not defrost automatically. A layer of hoarfrost in the freezer compartment will impair refrigeration of the frozen food and increase power consumption. Remove the layer of hoarfrost regularly.

Proceed as follows

1. Remove the frozen food and store temporarily in a cool location.
2. Switching off the appliance.
3. Pull out the mains plug or remove the fuse.
4. Leave the appliance door open. Wipe up condensation with a cloth or sponge.
5. Wipe the freezer compartment dry.
6. Switch on the appliance again.
7. Put the frozen food back in the freezer compartment.

Caution when using defrosting sprays:

- Defrosting sprays may form explosive gases.
- Defrosting sprays may contain solvents or propellants which attack plastic.
- Defrosting sprays may be a health hazard.

Follow the manufacturer's instructions.

* only for appliances with a freezer compartment

Refrigerator compartment defrosts fully automatically

While the refrigerating unit is running, beads of condensation or hoarfrost form at the back of the refrigerator compartment. This is quite normal. It is not necessary to wipe off the condensation or frost. The rear panel defrosts automatically. The condensation runs into the condensation channel.

Fig. 14

The condensation runs down the condensation channels to the refrigerating unit where it evaporates.

Note: Keep the condensation channel and drain hole clean so that the condensation can drain.

Cleaning the appliance

Attention!

Do not use abrasive, chloride or acidic cleaning agents or solvents.

Do not use scouring or abrasive sponges. The metallic surfaces in the appliance could corrode.

Never clean shelves and containers in the dishwasher. The parts may warp!

Proceed as follows:

- Before cleaning: Switch off the appliance.
- Pull out the mains plug or switch off the fuse!
- Take out the frozen food and store in a cool location. Place the ice block (if enclosed) on the food.
- Clean the appliance with a soft cloth, lukewarm water and a little pH-neutral washing-up liquid. The rinsing water must not run into the light.
- Wipe the door seal with clear water only and then wipe dry thoroughly.
- After cleaning reconnect and switch on the appliance.

Note

Regularly clean condensation channels and drainage hole, **Fig. 14**, with cotton buds, etc. so that the condensation can run out.

Door shelves can be removed for cleaning. **Fig. 15**

Tips for saving energy

- Install the appliance in a dry, well ventilated room, but not in direct sunlight and not near a heat source (e.g. radiator, cooker, etc.). If required, use an insulating plate.
- Allow warm food and drinks to cool down before placing in the appliance!
- When thawing frozen products, place them in the refrigerator. The low temperature of the frozen products cools the food in the refrigerator.
- Open and close the door as briefly as possible.
- A layer of hoarfrost in the freezer compartment will impair refrigeration of the frozen food and increase power consumption. Defrost the appliance if frost forms!*
- Ensure that the freezer compartment door* has been closed properly.
- Occasionally clean the rear of the appliance with a vacuum cleaner or paint brush to prevent an increased power consumption.

Operating noises

Normal noises

Humming – refrigerating unit is running.

Bubbling, gurgling or whirring noises – refrigerant is flowing through the tubing.

Clicking – motor is switching on or off.

Preventing noises

The appliance is not level

Please align the appliance with a spirit level. Use the height-adjustable feet or place something under the feet.

The appliance is not free-standing

Please move the appliance away from adjacent units or appliances.

Drawers or storage areas wobble or stick

Please check the removable parts and, if required, reinsert them.

Bottles or receptacles are touching each other

Please move bottles or receptacles away from each other.

*only for appliances with a freezer compartment

Eliminating minor faults yourself

Before you call customer service:

Please check whether you can eliminate the fault yourself based on the following information.

Customer service will charge you for advice, even if the appliance is still under guarantee!

Fault	Possible cause	Remedial action
Interior light does not function.	The bulb is defective.	Replace bulb <ol style="list-style-type: none"> 1. Switch off the appliance, pull out the mains plug or switch off the fuse. 2. Slide cover grille forwards and remove. 3. Change the bulb. Fig. 16/B (replacement bulb max. 25 W, 220–240 V a.c., E14 lampholder)
	Light switch is sticking. Fig. 16/A	Check whether it can be moved.
The frozen food is frozen solid. *		Loosen frozen food with a blunt object. Do not use a knife or pointed object. You could damage the refrigerant tubing or the plastic surface.
There is a thick layer of frost in the freezer compartment. *		Defrosting the freezer compartment (see Defrosting). Always ensure that the freezer compartment door is closed properly. Freezer compartment door must “click” shut.
Floor of the refrigerator compartment is wet.	The condensation outlet is blocked.	Clean the condensation channel and outlet (Fig. 14 , see Cleaning the appliance)

Fault	Possible cause	Remedial action
The temperature in the refrigerator compartment is too cold.	The freezer compartment door has not been closed properly. *	Close the freezer compartment door. Freezer compartment door must “click” shut.
	If large quantities of fresh food are being frozen, the temperature in the refrigerator compartment drops temporarily, as the refrigerating unit runs for a long time. *	Do not exceed max. freezing capacity.
	Temperature selector has been set to a higher setting.	Set the temperature selector to a lower setting.
The refrigerating unit is switching on more frequently and for longer.	Appliance door opened frequently. *	Do not open the door unnecessarily.
	Large quantities of fresh food are being frozen. *	Do not exceed max. freezing capacity.
	The ventilation openings have been covered.	Remove obstacles.
The frozen food is thawing. *	The ambient temperature is colder than +16 °C. The refrigerating unit is starting less frequently.	Increase the ambient temperature above +16 °C. If appliances feature an ambient temperature switch, Fig. 6/2 , switch on. See Observe room temperature and ventilation.
	Refrigerator has no cooling capacity.	The temperature selector is on “0”.
Power failure; the fuse has been switched off; the mains plug has not been inserted properly.		Check whether the power is on, check the fuses.

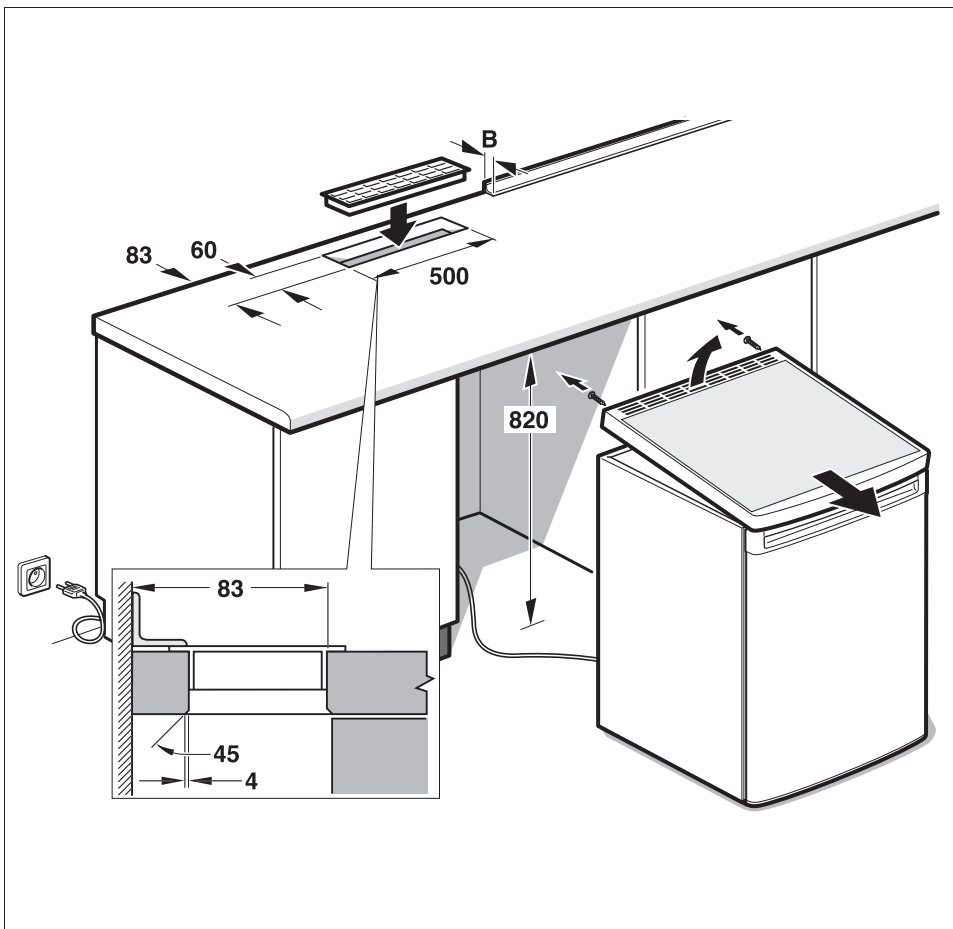
* only for appliances with a freezer compartment

Customer service

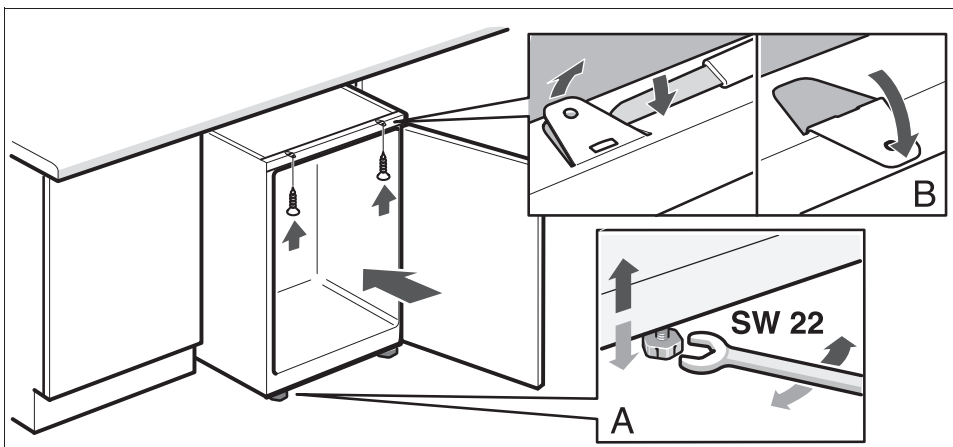
Please check your telephone book or the customer-service list for your nearest customer-service facility. When contacting customer service, please ALWAYS quote the product number (E-number) and production number (FD-number) of your appliance.

These numbers can be found on the rating plate. **Fig. 17**

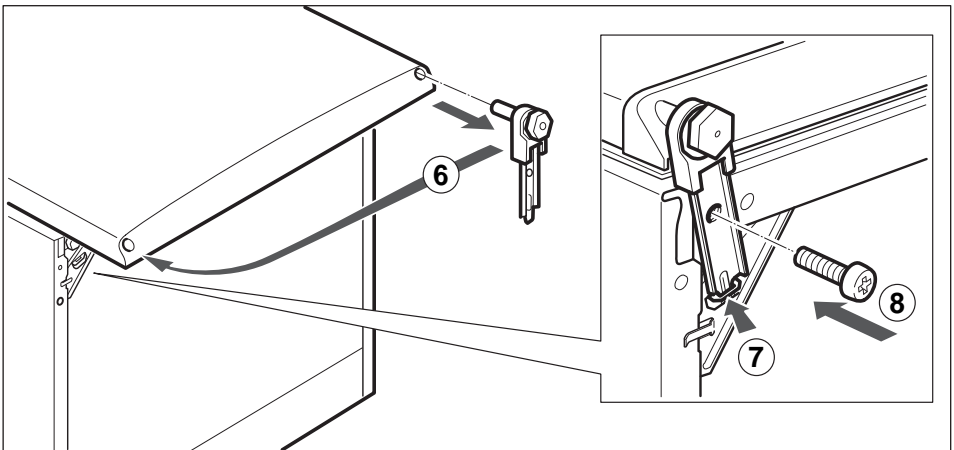
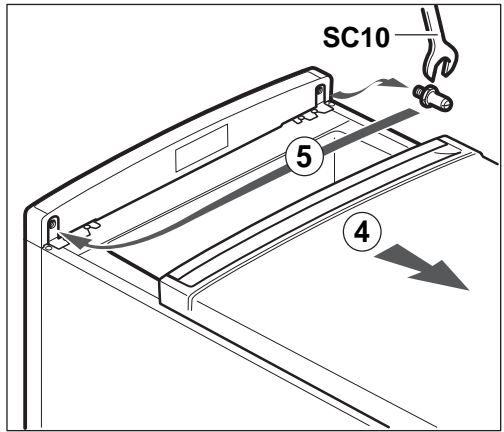
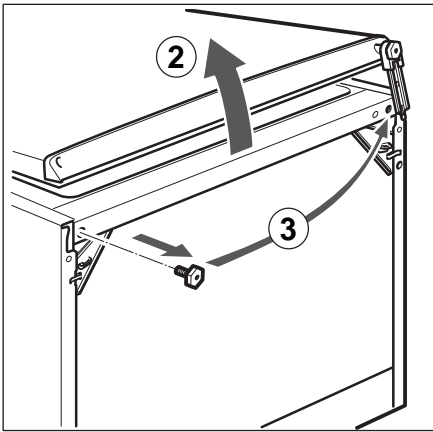
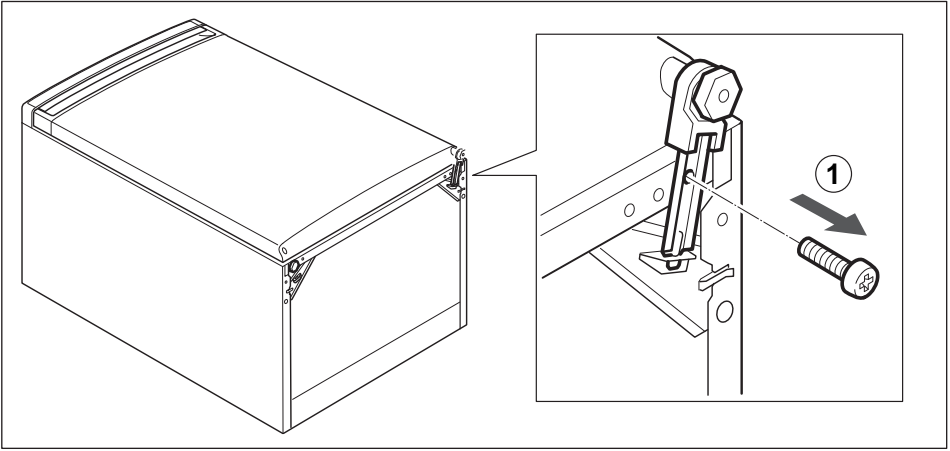
To prevent unnecessary call-outs, please assist customer service by quoting the product and production numbers. This will save you additional costs.

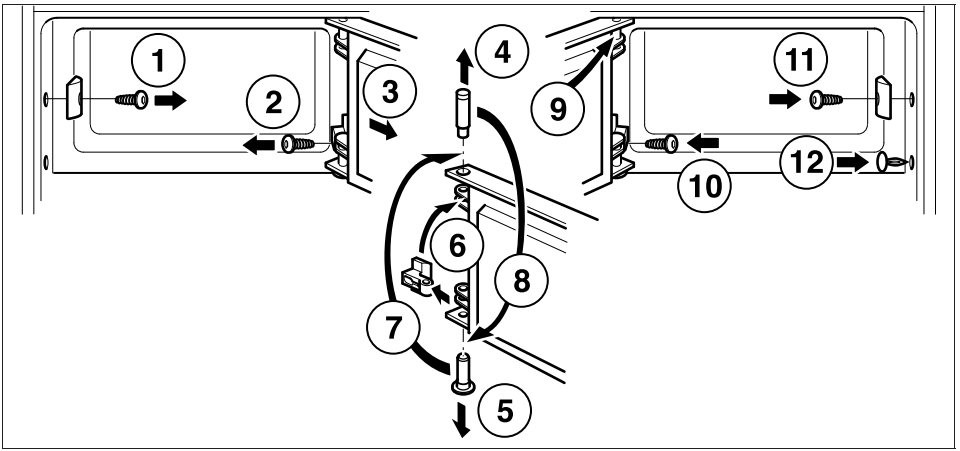


1

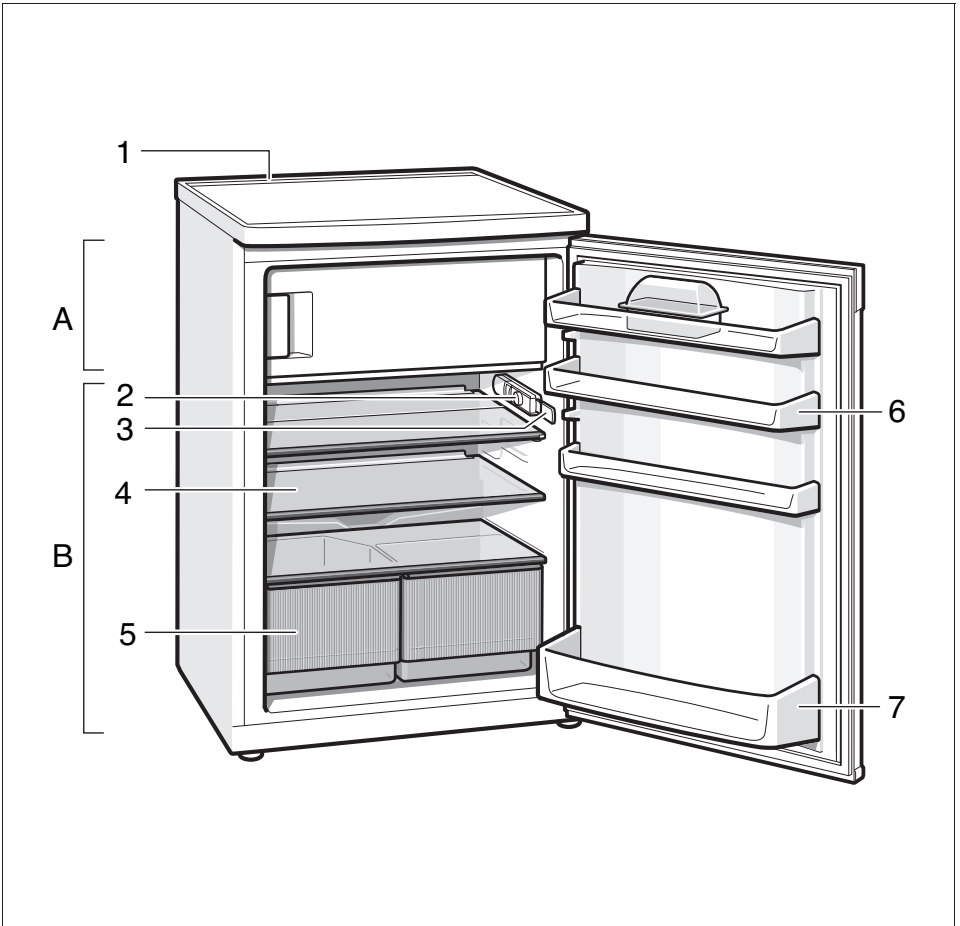


2

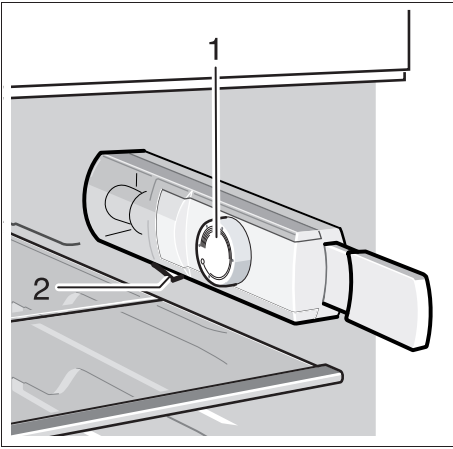




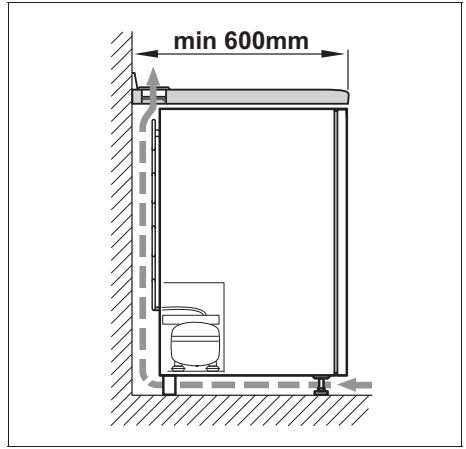
4



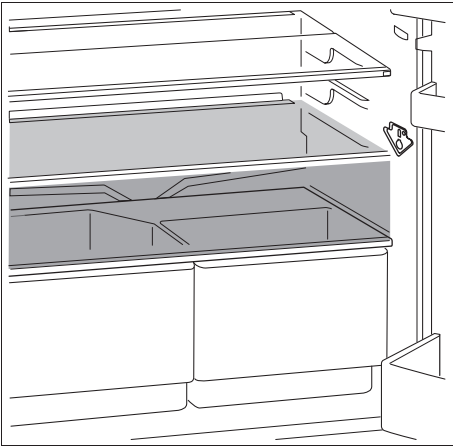
5



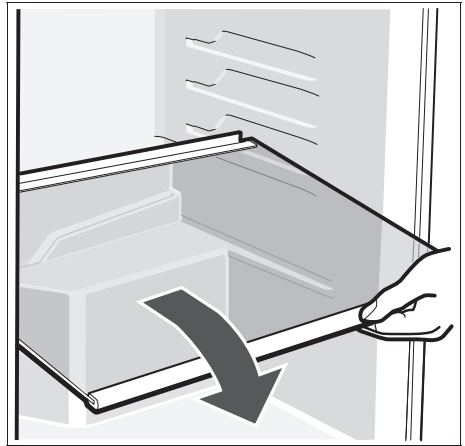
6



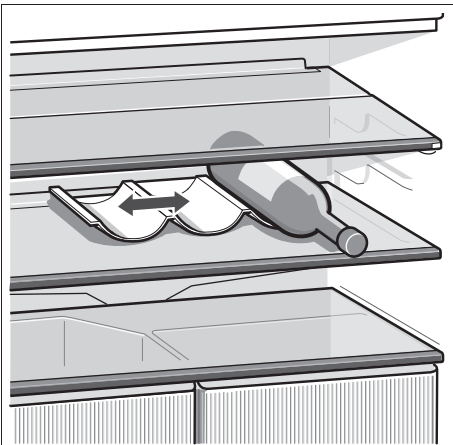
7



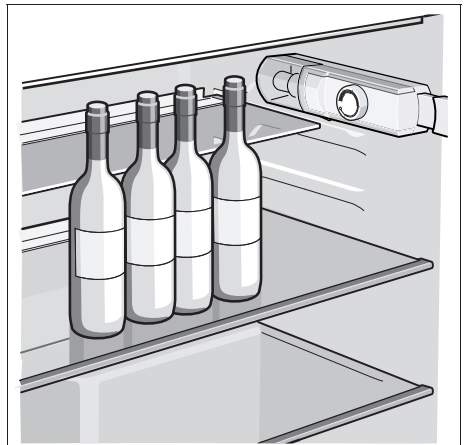
8



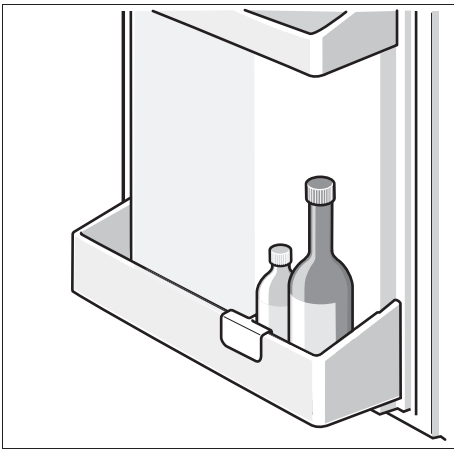
9



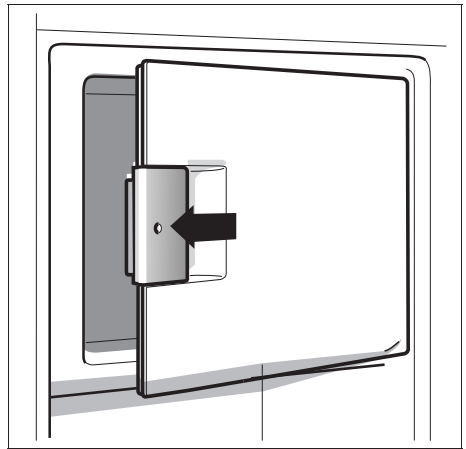
10



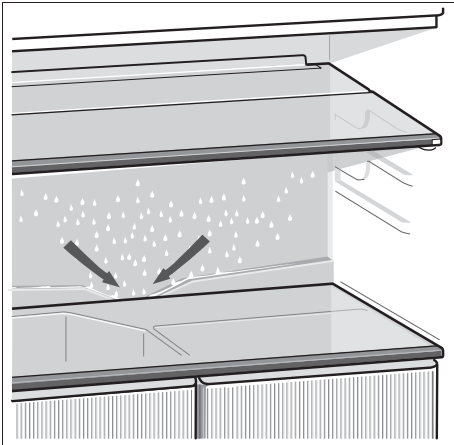
11



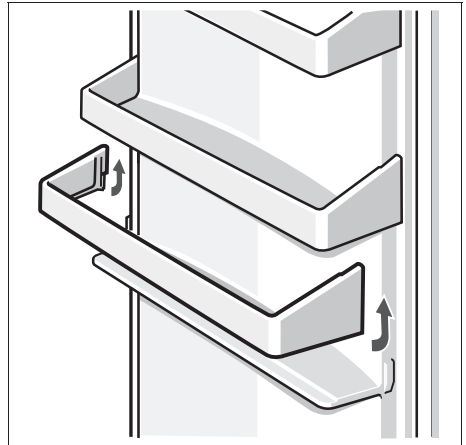
12



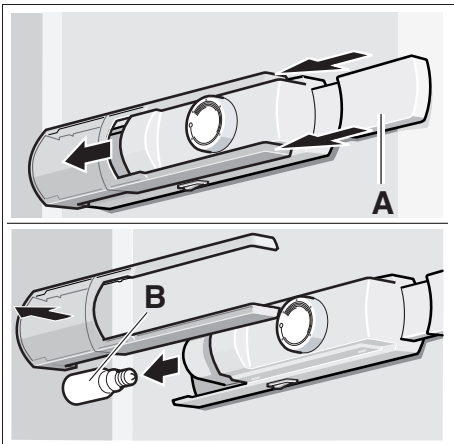
13



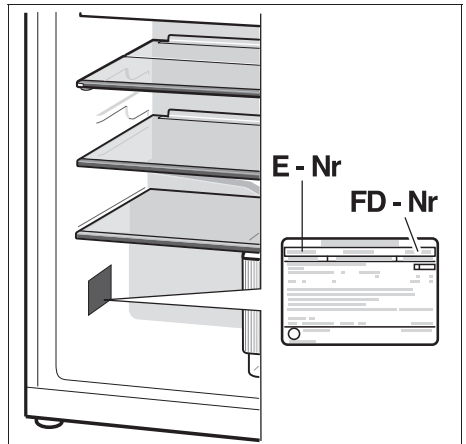
14



15



16



17

Bosch Infoteam (Mo-Fr: 8.00-18.00 Uhr erreichbar)

Für Produktinformationen sowie Anwendungs- und Bedienungsfragen:

Tel.: **01805 304050*** oder unter **bosch-infoteam@bshg.com**

*) 0,14 EUR/Min aus dem Festnetz der T-Com, Mobil ggfs. abweichend.

Nur für Deutschland gültig!

Subject to alterations.

