

# KDN

Instruction for Use  
Mode d'emploi

Instrucciones de uso  
Instruções de Serviço

9000 149 752 (8604)



---

## en Contents

Information concerning disposal . . . . .	4	Storing food in the appliance . . . . .	10
Safety and warning information . . . . .	4	Features . . . . .	10
Installation . . . . .	6	Freezing fresh food . . . . .	11
Changing over the door hinges . . . . .	6	Freezing and storing food . . . . .	11
Aligning the appliance . . . . .	6	Super freeze . . . . .	12
Getting to know your appliance . . . . .	7	Max. freezing capacity . . . . .	12
Fascia . . . . .	7	Thawing frozen food . . . . .	13
Observe ambient temperature and ventilation . . . . .	8	Cleaning the appliance . . . . .	13
Connecting the appliance . . . . .	8	Tips for saving energy . . . . .	14
Switching on the appliance . . . . .	9	Operating noises . . . . .	14
Selecting the temperature . . . . .	9	Eliminating minor faults yourself . . . . .	15
		Customer service . . . . .	16

---

## fr Table des matières

Conseils pour la mise au rebut . . . . .	17	Equipement . . . . .	24
Consignes de sécurité et avertissements . . . . .	17	Congélation de produits frais . . . . .	25
Installation . . . . .	20	Congélation et rangement . . . . .	26
Inversion du sens d'ouverture de porte . . . . .	20	Supercongélation . . . . .	27
Ajuster l'appareil . . . . .	20	Capacité de congélation maximale . . . . .	27
Présentation de l'appareil . . . . .	21	Décongélation des produits . . . . .	27
Bandeau de commande . . . . .	21	Nettoyage de l'appareil . . . . .	28
Contrôler la température ambiante et l'aération . . . . .	22	Economies d'énergie . . . . .	29
Branchement de l'appareil . . . . .	22	Bruits de fonctionnement . . . . .	29
Enclenchement de l'appareil . . . . .	23	Remédier soi même aux petites pannes . . . . .	30
Réglage de la température . . . . .	23	Service après-vente . . . . .	31
Rangement des produits alimentaires . . . . .	24		

---

## es Índice

Consejos para la eliminación del embalaje y el desguace de los aparatos usados . . . . .	32	Ajustar la temperatura . . . . .	38
Consejos y advertencias de seguridad . . . . .	33	Colocar y ordenar los alimentos . . . . .	39
Emplazamiento de la unidad . . . . .	35	Equipamiento . . . . .	40
Cambio del sentido de apertura de la puerta . . . . .	35	Congelar alimentos frescos . . . . .	40
Nivelar el aparato . . . . .	35	Congelar y guardar alimentos . . . . .	41
Familiarizándose con la unidad . . . . .	36	Congelación ultrarrápida . . . . .	42
Cuadro de mandos . . . . .	36	Capacidad máxima de congelación . . . . .	42
Prestar atención a la temperatura del entorno y la ventilación del aparato . . . . .	37	Descongelar los alimentos . . . . .	43
Conectar el aparato a la red eléctrica . . . . .	37	Limpieza de la unidad . . . . .	43
Conectar el aparato . . . . .	38	Consejos prácticos para ahorrar energía eléctrica . . . . .	44
		Ruidos de funcionamiento del aparato . . . . .	44
		Pequeñas averías de fácil solución . . . . .	45
		Servicio de Asistencia Técnica . . . . .	47

---

## pt Índice

Instruções sobre reciclagem . . . . .	48	Arrumação dos alimentos . . . . .	54
Instruções de segurança e de aviso . . . . .	48	Equipamento . . . . .	54
Instalação . . . . .	50	Congelação de alimentos frescos . . . . .	55
Alteração do sentido de abertura da porta . . . . .	50	Congelação e conservação . . . . .	56
Alinhar o aparelho . . . . .	50	Supercongelação . . . . .	56
Familiarização com o aparelho . . . . .	51	Máx. Capacidade de congelação . . . . .	57
Painel de comandos . . . . .	51	Descongelação dos alimentos . . . . .	57
Dar atenção à temperatura ambiente e à ventilação . . . . .	52	Limpeza do aparelho . . . . .	57
Ligar o aparelho . . . . .	52	Como poupar energia . . . . .	58
Ligar o aparelho . . . . .	53	Ruídos de funcionamento . . . . .	58
Regular a temperatura . . . . .	53	Eliminação de pequenas anomalias . . . . .	59
		Assistência Técnica . . . . .	60

## Information concerning disposal

### Disposal of packaging

The packaging protects your appliance from damage during transit. All packaging materials are environmentally friendly and recyclable. Please contribute to a better environment by disposing of packaging materials in an environmentally-friendly manner.

Please ask your dealer or inquire at your local authority about current means of disposal.

### Disposal of your old appliance

Old appliances are not worthless rubbish! Valuable raw materials can be reclaimed by recycling old appliances.



This appliance has been identified in accordance with the European directive 2002/96/EG on Waste Electrical and Electronic Equipment – (WEEE).

The directive specifies the framework for an EU-wide valid return and recycling of old appliances.

### Warning

Redundant appliances:

1. Pull out the mains plug.
2. Cut off the power cord and discard with the mains plug.

Refrigerators contain refrigerants and the insulation contains gases. Refrigerant and gases must be disposed of properly. Ensure that tubing of the refrigerant circuit is not damaged prior to proper disposal.

## Safety and warning information

### Before you switch ON the appliance

Please read the operating and installation instructions carefully. They contain important information on how to install, use and maintain the appliance. Keep all documentation for subsequent use or for the next owner.

### Technical safety

- This appliance contains a small quantity of environmentally-friendly but flammable R600a refrigerant. Ensure that the tubing of the refrigerant circuit is not damaged during transportation and installation. Leaking refrigerant may cause eye injuries or ignite.

#### If damage has occurred

- Keep naked flames and/or ignition sources away from the appliance.
- Pull out the mains plug.
- Thoroughly ventilate the room for several minutes.
- Notify customer service.

The more refrigerant an appliance contains, the larger the room must be. Leaking refrigerant can form a flammable gas-air mixture in rooms which are too small.

The room must be at least 1 m<sup>3</sup> per 8 g of refrigerant. The amount of refrigerant in your appliance is indicated on the rating plate inside the appliance.

- Only customer service may change the power cord and carry out any other repairs. Improper installations and repairs may put the user at considerable risk.

## Important information when using the appliance

- Never use electrical appliances inside the refrigerator (e.g. heater, electric ice maker, etc.). **Explosion hazard!**
- NEVER use a steam cleaner to defrost or clean the appliance. The steam may penetrate electrical parts and cause a short-circuit. **Risk of electric shock!**
- Do not store products which contain flammable propellants (e. g. spray cans) or explosive substances in the appliance. **Explosion hazard!**
- Do not stand or support yourself on the base, drawers or doors, etc.
- Before defrosting and cleaning the appliance, pull out the mains plug or switch off the fuse. Do not pull out the mains plug by tugging the cable.
- Bottles which contain a high percentage of alcohol must be sealed and stored in an upright position.
- Keep plastic parts and the door seal free of oil and grease. Otherwise, parts and door seal will become porous.
- Never cover or block the ventilation openings for the appliance.
- Do not store bottled or canned drinks (especially carbonated drinks) in the freezer compartment. Bottles and cans may explode!
- Never put frozen food straight from the freezer compartment into your mouth. **Risk of low-temperature burns!**
- Avoid prolonged touching of frozen food, ice or the evaporator pipes, etc. **Risk of low-temperature burns!**
- Do not scrape off hoarfrost or stuck frozen food with a knife or pointed object. You could damage the refrigerant tubing. Leaking refrigerant may ignite or cause eye injuries.

## Children in the household

- Keep children away from packaging and its parts. Danger of suffocation from folding cartons and plastic film!
- Do not allow children to play with the appliance!
- If the appliance features a lock, keep the key out of the reach of children.

## General requirements

The appliance is suitable

- for refrigerating and freezing food,
- for making ice.

The appliance is designed for domestic use.

The appliance has been interference-suppressed in compliance with EU Directive 89/336/EEC.

The refrigerant circuit has been tested for leaks.

This product complies with the relevant safety regulations for electrical appliances (EN 60335/2/24).

---

## Installation

Install the appliance in a dry, well ventilated room. The installation location should neither be exposed to direct sunlight nor near a heat source, e.g. a cooker, radiator, etc. If installation next to a heat source is unavoidable, use a suitable insulating plate or observe the following minimum distances to a heat source:

3 cm to an electric cooker.  
30 cm to an oil or solid-fuel cooker.

Appliances with fitted handles must be situated at least 55 mm from the wall on the hinge side so that the door can be opened by 90°.

---

## Changing over the door hinges

We recommend that you have the door hinges changed over by our customer service.

Before you start the conversion work, pull out the mains plug or remove the fuse.

**Attention! Carefully place the appliance on its back.**

Installation in numerical sequence.

1. Changing the door handle. **Fig. 1/B**
2. Changing over the door hinges.  
**Fig. 1/A**

---

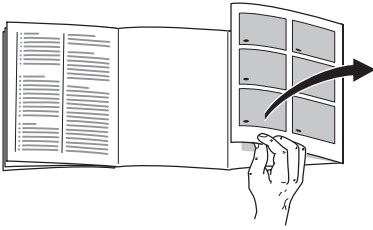
## Aligning the appliance

**Fig. 3**

Place the appliance in the designated location and align.

Adjust the height-adjustable feet with a screwdriver.

## Getting to know your appliance



Please fold out the illustrated last page. These operating instructions refer to several models.

The illustrations may differ.

## Example of features

### Fig. 2

(not all models)

- 1-4 **Fascia**
- 5 **Temperature selector refrigerator compartment**
- 6 **Ice maker**
- 7 **Storage container for ice cubes**
- 8 **Light switch**
- 9 **Chiller compartment**
- 10 **Vent opening**
- 11 **Interior light**
- 12 **Shelf in the refrigerator compartment**
- 13 **Fruit and vegetable container**
- 14 **Height-adjustable feet**
- 15 **Egg rack**
- 16 **Shelf for tubes and small tins**
- 17 **Shelf for large bottles**

## Fascia

### Fig. 2

#### 1 On/Off-button

#### 2 Temperature selection button – freezer compartment

Can be selected from 16 °C to 24 °C.

Press the button until the required temperature lamp illuminates. The value last selected is stored.

#### 3 Temperature display lamp – freezer compartment

The numbers next to the temperature display lights indicate the refrigerator compartment temperatures in °C. The lit lamp indicates the selected temperature.

#### 4 Fast freezing button

Switches super freezing on and off.

When the light is on, super cooling has started.

## Observe ambient temperature and ventilation

The climatic class can be found on the rating plate and indicates the ambient temperatures at which the appliance can be operated.

Climatic class	Permitted ambient temperature
SN	+10 °C to 32 °C
N	+16 °C to 32 °C
ST	+18 °C to 38 °C
T	+18 °C to 43 °C

## Ventilation

Fig. 4

The air on the rear panel of the appliance heats up. The warm air must be able to escape. Otherwise, the refrigerator must work harder. This will increase the power consumption. Therefore: Never cover or block ventilation openings!

## Connecting the appliance

After installing the appliance, wait at least ½ hour before switching on the appliance. During transportation the oil in the compressor may have flowed into the refrigeration system.

Before switching on the appliance for the first time, clean the interior (see Cleaning).

The socket should be freely accessible.

Connect the appliance to 220–240 V/ 50 Hz alternating current via a correctly installed earthed socket. The socket must be fused with a 10 A fuse or higher.

**If the appliance is to be operated in a non-European country, check on the rating plate whether the indicated voltage and current type correspond to the values of your mains supply. The rating plate is situated in the bottom left-hand side of the appliance. The power cord may be replaced by an electrician only.**

### Warning!

**Never connect the appliance to electronic energy saver plugs or to power inverters which convert the direct current to 230 V alternating current (e.g. solar equipment, power supplies on ships).**



## Switching on the appliance

Press the On/Off button **Fig. 2/1**.  
The appliance starts refrigerating.

Interior light in refrigerator compartment is switched on when the door is open.

The appliance left the factory with the following standard setting:

Refrigerator compartment	+4 °C
Freezer compartment:	-18 °C

## Operating tips

- The fully automatic NoFrost system ensures that the freezer compartment and the refrigerator compartment remain free of ice. Defrosting is no longer required.
- The sides of the housing are sometimes heated slightly.  
This prevents condensation in the area of the door seal.
- The appliance doors have two different opening angles.  
When opening one door, the other door may move slightly. This is quite normal and can be ignored.
- If you cannot open the freezer compartment door immediately after closing it, wait 2–3 minutes until the partial vacuum has equalised.

## Selecting the temperature

### Fridge

Rotate temperature selector **Fig. 2/5** to a setting.

A higher setting lowers the temperature in the refrigerator compartment.

We recommend:

- for long-term storage of food: **medium** controller setting
- select a **higher** controller setting set a high controller setting only temporarily if: door is opened frequently, large amounts of food are placed in the refrigerator compartment.

We recommend storing perishable foods at a temperature not warmer than +4 °C.

A temperature of about +4 °C is reached when the control is set to a centre position.

### Freezer compartment

The set values can be changed, see Description of control panel:

## Storing food in the appliance

When storing food, comply with the following:

- Wrap or cover food before placing in the appliance. This will retain the aroma, colour and freshness of the food. Transfer of flavour and discoloration of the plastic parts will also be prevented.
- Allow warm food and drinks to cool down before placing in the appliance!
- Do not block air vents in the fridge with food products to avoid hindering air circulation.

Food products that are stored directly in front of the air vents are liable to freeze due to the cold air flowing out of the vents.

**We recommend arranging the food as follows:**

- **In the freezer compartment:** Frozen food, ice cubes, ice cream
- **On the shelves** in the refrigerator compartment (from top to bottom): cakes and pastries, ready meals, dairy products, meat and sausage
- **In the vegetable container:** vegetables, salad, fruit
- In the **door** (from top to bottom): butter, cheese, eggs, tubes, small bottles, large bottles, milk, juice cartons

## Usable capacity

Information on the usable capacity can be found inside your appliance on the rating plate.

## Features

(not all models)

### Chiller compartment

#### Fig. 5

Pull out the compartment shelf, the flap opens.

Temperatures in the chiller compartment are lower than in the refrigerator compartment. Temperatures can also be below 0 °C.

Ideal for storing fish, meat and sausage products. Not suitable for salads and vegetables and products sensitive to cold.

### Bottle shelf

#### Fig. 6

Bottles can be stored securely on the bottle shelf. The holder can be adjusted.

---

## Freezing fresh food

### Freezing food yourself

If you are freezing food yourself, use only fresh, undamaged food.

#### The following foods are suitable for freezing:

Meat and sausage products, poultry and game, fish, vegetables, herbs, fruit, cakes and pastries, pizza, ready meals, leftovers, egg yolk and egg-white.

#### The following foods are not suitable for freezing:

Eggs in shells, soured cream and mayonnaise, green salads, radishes and onions.

#### Blanching vegetables and fruit

To retain colour, flavour, aroma and vitamin C, vegetables and fruits should be blanched prior to freezing.

Blanching is the brief immersion of vegetables and fruit in boiling water.

Literature on freezing and blanching is available in bookshops.

## Packing food

1. Place the food in the wrapping.
2. Press out all the air.
3. Seal the wrapping.
4. Label the wrapping with the contents and date.

#### The following products are not suitable for wrapping food:

Wrapping paper, greaseproof paper, cellophane, refuse bags and used shopping bags.

#### The following products are suitable for wrapping food:

Plastic film, polyethylene blown film, aluminium foil and freezer tins.

These products can be purchased from your dealer.

#### The following products are suitable for sealing the wrapped food:

Rubber bands, plastic clips, string, cold-resistant adhesive tape or similar.

Bags and polyethylene blown film can be sealed with a film sealer.

---

## Freezing and storing food

### Purchasing deep-frozen food

- Check that the packaging is not damaged.
- Check the sell-by date.
- The temperature of the supermarket freezer should be  $-18^{\circ}\text{C}$  or lower. If not, the storage life of the food is reduced.
- If possible, transport deep-frozen food in an insulated bag and place quickly in the freezer compartment.

## Storing frozen food

If large amounts of food need to be stored, the flaps in the upper area of the freezer compartment and the shelf can be removed.

To avoid hindering air circulation in the appliance, do not stack food above the stacking limit.

## Making ice cubes

### Fig. 7

Fill the ice tray  $\frac{3}{4}$  full of water and place in the bottom of the freezer compartment. If the ice tray is stuck to the freezer compartment, loosen with a blunt implement only (spoon-handle).

To loosen the ice cubes, twist the ice tray slightly or hold briefly under flowing water.

## Ice maker

(not all models)

### Fig. 8

1. Remove the ice cube tray, fill  $\frac{3}{4}$  full of water and re-insert.
2. When the ice cubes are frozen, rotate the knobs on the ice cube trays several times to the right and release. The ice cubes loosen and fall into the storage container.
3. Remove ice cubes from the storage container

## Super freeze

If there is already food in the freezer compartment, switch on "Fast freeze" several hours before placing fresh produce in the freezer compartment. As a rule, 4–6 hours is adequate.

If max. freezing capacity is to be utilised, 24 hours are required. Smaller quantities of food (up to 2 kg) can be frozen without "Fast freeze".

To switch on, press the fast freezing button **Fig. 2/4**.

"Fast freeze" switches off automatically after 2  $\frac{1}{2}$  days at the latest.

## Max. freezing capacity

In order to retain the vitamins, nutritional value, appearance and flavour food should be frozen as quickly as possible. Do not exceed the max. freezing capacity. freeze the food as quickly as possible. Do not exceed the max. freezing capacity of your appliance.

## Freezing capacity

Information about the max. freezing capacity within 24 hours can be found on the rating plate.

## Thawing frozen food

Depending on the type of food and intended use, frozen produce can be thawed as follows:

- At room temperature.
- In the refrigerator.
- In an electric oven, with/without fan assisted hot-air.
- In the microwave.

### Note

Do NOT refreeze food which is beginning to thaw or which has already thawed. It can only be refrozen when it has been used to prepare a ready meal (boiled or fried).

No longer store the frozen produce for the max. storage period.

## Switching off and disconnecting the appliance

### Switching off the appliance

Press the On/Off button **Fig. 2/1**.

### Disconnecting the appliance

If the appliance is not used for a prolonged period:

1. Pull out the mains plug.
2. Cleaning the appliance.
3. Leave the appliance doors open.

## Cleaning the appliance

1. Pull out the mains plug or switch off the fuse.
2. Wipe the door seal with clear water only and then wipe dry thoroughly.
3. Clean the appliance with lukewarm water and a little washing-up liquid.
4. After cleaning: reconnect and switch on the appliance.

### Attention!

Do not use abrasive or acidic cleaning agents and solvents.

Water used for cleaning must not drip onto

- the front vents at the bottom in the freezer compartment,
- fascia/temperature controller,
- and lighting.

Never clean the shelves or containers in the dishwasher. The parts may warp!

---

## Tips for saving energy

- Install the appliance in a cool, well ventilated room, but not in direct sunlight and not near a heat source (radiator, cooker, etc.). Otherwise, use an insulating plate.
- Allow warm food and drinks to cool down outside the appliance.
- When thawing frozen food, place it in the refrigerator compartment. The low temperature of the frozen food will then cool the food in the refrigerator compartment.
- Open the appliance door as briefly as possible.
- Occasionally clean the rear of the appliance with a vacuum cleaner or paint brush to prevent an increased power consumption.

---

## Operating noises

### Normal noises

**Humming** – refrigerating unit is running.

**Bubbling, gurgling or whirring noises** – refrigerant is flowing through the tubing.

**Clicking** – motor is switching on or off.

**Clicking** – automatic defrost switching on.

### Noises which can be easily rectified

#### **The appliance is not level**

Please align the appliance with a spirit level. Use the height-adjustable feet or place something under the feet.

#### **The appliance is touching adjacent units or appliances**

Please move the appliance away from adjacent units or appliances.

#### **Drawers, baskets or storage areas are loose or sticking**

Please check the removable parts and, if required, reinsert them.

#### **Receptacles are touching each other**

Please move bottles or receptacles away from each other.

## Eliminating minor faults yourself

### Before you call customer service:

Please check whether you can eliminate the fault yourself based on the following information.

Customer service will charge you for advice, even if the appliance is still under guarantee!

Fault	Possible cause	Remedial action
<b>Light does not function.</b>	The bulb is defective.	Change the bulb: <b>Fig. 9</b> <ol style="list-style-type: none"> <li>1. Pull out the mains plug or disconnect the fuse.</li> <li>2. Change the bulb (replacement bulb, max. 15 W, 220–240 V, AC, E14 lampholder).</li> </ol>
<b>The temperature in the refrigerator compartment is too cold.</b>	Light switch is sticking. <b>Fig. 2/6</b> Colder freezer compartment temperatures can also give rise to colder fridge compartment temperatures. This is quite normal.	Check whether it can be moved. Increase the refrigerator compartment temperature slightly. If this is insufficient, e.g. at excessively cold ambient temperatures, also increase the freezer compartment temperature.
<b>Displays do not illuminate.</b>	Power failure; the fuse has been switched off; the mains plug has not been inserted properly.	Check whether the power is on, the fuse must be switched on.
<b>The temperature in the freezer compartment became too warm.</b>	<ul style="list-style-type: none"> <li>• Freezer compartment door is open.</li> <li>• The ventilation openings are blocked.</li> <li>• Too much food was placed in the freezer compartment at once.</li> </ul>	<p>Close the door.</p> <p>Ensure that there is adequate ventilation.</p> <p>Do not exceed max. freezing capacity.</p>

Fault	Possible cause	Remedial action
<b>Freezer compartment door was open for a long time; temperature is no longer reached.</b>	The evaporator (refrigeration generator) in the NoFrost system is covered in thick ice and can no longer be defrosted fully automatically.	<p>To defrost the evaporator, remove the frozen food with the compartments, insulate well and store in a cool location.</p> <p>Switch off the appliance and move it away from the wall. Leave the appliance door open</p> <p>After approx. 20 min. the condensation begins to run into the evaporation pan at the rear of the appliance. To prevent the evaporation pan from overflowing in this case, mop up the condensation with a sponge.</p> <p>The evaporator is defrosted when the water stops running into the evaporation pan. Clean the interior. Switch the appliance back on again.</p>

## Customer service

Your local customer service can be found in the telephone directory or in the customer-service index. Please provide customer service with the appliance product number (E-Nr.) and production number (FD).

This information can be found on the product label. **Fig. 10**

To prevent unnecessary call-outs, please assist customer service by quoting the product and production numbers. This will save you additional costs.



## Conseils pour la mise au rebut

### Mise au rebut de l'emballage

L'emballage protège votre appareil contre les dégâts qu'il pourrait subir en cours de transport. Tous les matériaux qui le constituent sont compatibles avec l'environnement et recyclables.

Aidez-nous à recycler l'emballage en respectant l'environnement.

Pour savoir comment vous débarrasser de l'emballage, veuillez consulter votre revendeur ou les services administratifs de votre mairie.

### Mise au rebut de l'ancien appareil

Les appareils usagés ne sont pas des déchets sans valeur.

Leur élimination dans le respect de l'environnement permet d'en récupérer de précieuses matières premières.



Cet appareil est marqué selon la directive européenne 2002/96/CE relative aux appareils électriques et électroniques usagés (waste electrical and electronic equipment – WEEE).

La directive définit le cadre pour une reprise et une récupération des appareils usagés applicables dans les pays de la CE.

### Attention

Avant de mettre au rebut l'appareil qui ne sert plus :

1. Débranchez la fiche mâle de la prise de courant.
2. Sectionnez le cordon d'alimentation puis enlevez-le avec la fiche mâle.

Les appareils frigorifiques contiennent des fluides frigorigènes et des gaz isolants qui nécessitent une mise au rebut adéquate. Veillez à ce que les tuyaux du circuit frigorifique de votre appareil ne soient pas endommagés jusqu'à son élimination dans les règles de l'art. Jusqu'à l'enlèvement de l'appareil, veillez bien à ce que son circuit frigorifique ne soit pas endommagé.

## Consignes de sécurité et avertissements

### Avant de mettre l'appareil en service

Veuillez lire attentivement et entièrement les informations figurant dans les notices d'utilisation et de montage.

Elle contiennent des remarques importantes concernant l'installation, l'utilisation et l'entretien de l'appareil. Conservez toute la documentation pour pouvoir la consulter à nouveau ultérieurement ou si l'appareil doit changer un jour de propriétaire.

## Sécurité technique

- Cet appareil contient une petite quantité d'un fluide réfrigérant écologique mais inflammable, le R 600a. Pendant le transport et la mise en place de l'appareil, veillez à ne pas endommager les tuyauteries du circuit frigorifique. Si le fluide réfrigérant jaillit, il peut provoquer des lésions oculaires ou s'enflammer.

### Si l'appareil est endommagé

- De l'appareil, éloignez toute flamme nue ou source d'inflammation.
- Débranchez la fiche mâle de la prise de courant.
- Aérez bien la pièce pendant quelques minutes.
- Prévenez le service après-vente.

Plus l'appareil contient du fluide réfrigérant et plus grande doit être la pièce dans laquelle il se trouve. Dans les pièces trop petites, un mélange gaz-air inflammable peut se former en cas de fuite.

Comptez 1 m<sup>3</sup> de volume minimum de la pièce pour 8 g de fluide réfrigérant. La quantité de fluide présente dans l'appareil est indiquée sur la plaque signalétique située à l'intérieur de ce dernier.

- Le changement de cordon d'alimentation et d'autres réparations sont exclusivement réservées au service après-vente. Les installations et réparations inexpertes peuvent engendrer des risques considérables pour l'utilisateur.

## Pendant l'utilisation

- N'utilisez pas d'appareils électriques à l'intérieur de l'appareil (par ex. appareils de chauffage, machine à glaçons, etc.).  
**Risque d'explosion !**
- Ne dégivrez ni ne nettoyez jamais l'appareil avec un nettoyeur à vapeur. La vapeur risque d'atteindre des pièces électriques et de provoquer un court-circuit. **Risques d'électrocution !**
- Ne stockez dans l'appareil ni produits contenant des gaz propulseurs inflammables (par ex. bombes aérosols) ni produits explosifs. **Risque d'explosion !**
- Ne vous servez pas des socles, clayettes et portes comme marchepieds ou pour vous appuyer.
- Pour dégivrer et nettoyer l'appareil, débranchez la fiche mâle de la prise de courant ou retirez le fusible / désarmez le disjoncteur. Pour débrancher l'appareil, tirez sur la fiche mâle et non pas sur son cordon.
- Stockez les boissons fortement alcoolisées en position verticale dans des récipients bien fermés.
- L'huile et la graisse ne doivent pas entrer en contact avec les parties en matières plastiques et le joint de porte. (ces derniers pourraient sinon devenir poreux).
- Ne recouvrez et n'obstruez jamais les orifices de ventilation de l'appareil.
- Dans le compartiment congélateur, ne stockez pas de boissons gazeuses en particulier, en bouteilles ou en boîtes car elles éclateraient. Les bouteilles et les boîtes risqueraient d'éclater !

- Ne portez jamais des produits surgelés à la bouche immédiatement après les avoir sortis du compartiment congélateur. **Risque de gelures !**
- Évitez tout contact prolongé des mains avec les produits surgelés, avec la glace ou les conduites de l'évaporateur. **Risque de gelures !**
- Ne tentez jamais de racler le givre ou la glace avec un couteau. Vous risqueriez d'endommager les tuyaux de fluide réfrigérant. Ce fluide, en fuyant, pourrait s'enflammer et vous blesser aux yeux.

## Les enfants et l'appareil

- Ne permettez jamais aux enfants de jouer avec l'emballage et ses pièces constitutives. Ils risquent de s'étouffer avec les cartons pliants et les feuilles de plastique !
- L'appareil n'est pas un jouet, éloignez les enfants.
- Si l'appareil est équipé d'une serrure : rangez la clé hors de portée des enfants.

## Dispositions générales

L'appareil convient pour

- Réfrigérer et congeler des aliments.
- Préparer des glaçons.

Cet appareil est destiné à un usage domestique.

L'appareil a été antiparasité conformément à la directive UE 89/336/CEE.

Le circuit frigorifique a subi un contrôle d'étanchéité.

Ce produit est conforme aux dispositions de sécurité applicables aux appareils électriques (EN 60335/2/24).

---

## Installation

Un local sec et aérable convient pour installer l'appareil. Évitez de placer l'appareil à un endroit directement exposé aux rayons solaires ou à proximité d'une source de chaleur telle une cuisinière, un radiateur, etc. Si l'installation près d'une source de chaleur est inévitable, utilisez une plaque isolante appropriée ou respectez les distances minimales suivantes:

3 cm par rapport à une cuisinière électrique,  
30 cm par rapport à un appareil de chauffage au fuel ou au charbon.

Les appareils à poignée saillante requièrent, sur le côté où la porte bute contre le mur, un espace d'au moins 55 mm par rapport à ce dernier afin que la porte puisse s'ouvrir à 90°.

---

## Inversion du sens d'ouverture de porte

Nous recommandons de confier l'inversion du sens d'ouverture de porte à notre service après-vente.

Avant la transformation, débranchez la fiche mâle de la prise de courant ou ramenez le disjoncteur en position éteinte.

**Attention ! Couchez prudemment l'appareil sur le côté.**

Effectuez le montage dans l'ordre des chiffres.

1. Changement du sens d'ouverture de porte. **Fig. 1/B**
2. Inversion du sens d'ouverture de porte. **Fig. 1/A**

---

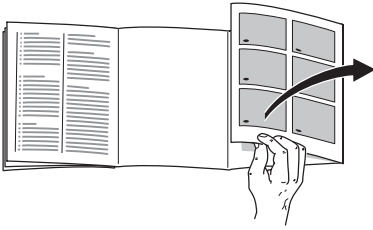
## Ajuster l'appareil

**Fig. 3**

Amenez l'appareil sur l'emplacement prévu puis ajustez-le pour qu'il se retrouve bien d'aplomb.

Pour modifier le réglage des pieds à vis, servez-vous d'une clé à fourche.

## Présentation de l'appareil



Veuillez déplier la dernière page, illustrée, de la notice. La présente notice d'utilisation vaut pour plusieurs modèles.

Selon le modèle, l'appareil peut différer du contenu des illustrations.

## Exemple d'équipement

### Fig. 2

(selon le modèle)

- 1-4 **Bandeau de commande**
- 5 **Thermostat du compartiment réfrigérateur**
- 6 **Distributeur de glaçons**
- 7 **Le bac à glace pour les glaçons**
- 8 **Interrupteur d'éclairage**
- 9 **Compartiment froid (compartiment fraîcheur)**
- 10 **Orifice de sortie d'air**
- 11 **Eclairage intérieur**
- 12 **Clayettes du compartiment réfrigérateur**
- 13 **Bac(s) à fruits et légumes**
- 14 **Pied à vis**

- 15 **Balconnet à oeufs**
- 16 **Support pour tubes et petites boîtes de conserve**
- 17 **Clayette à grandes bouteilles**

## Bandeau de commande

### Fig. 2

- 1 **Touche Marche / Arrêt**
- 2 **Touche de réglage de la température**

Réglage compris entre  $-16^{\circ}\text{C}$  et  $-24^{\circ}\text{C}$ .

Appuyez sur la touche autant de fois que nécessaire jusqu'à ce que le petit voyant de température voulu s'allume. L'appareil mémorise la valeur réglée en dernier.

- 3 **Indicateur de température Voyant Compartiment congélateur**

Les chiffres accompagnant les petits voyants de température indiquent la température du compartiment réfrigérateur en  $^{\circ}\text{C}$ .

Le voyant allumé indique la température ajustée.

- 4 **Touche Supercongélation**

Cette touche sert à allumer et éteindre la supercongélation.

Le petit voyant allumé signale l'entrée en service de cette fonction.

## Contrôler la température ambiante et l'aération

La catégorie climatique de l'appareil figure sur sa plaque signalétique. Elle indique les températures ambiantes dans lesquelles l'appareil peut fonctionner.

Catégorie climatique	Température ambiante admissible
SN	+10 °C à 32 °C
N	+16 °C à 32 °C
ST	+18 °C à 38 °C
T	+18 °C à 43 °C

## Aération

### Fig. 4

L'air entrant en contact avec la paroi arrière de l'appareil se réchauffe. Cet air chaud doit pouvoir s'échapper sans obstacle. S'il ne le peut pas, le groupe frigorifique doit fonctionner plus longtemps, ce qui augmente la consommation de courant.

Pour cette raison, ne recouvrez ni n'obstruez jamais les orifices d'aération de l'appareil.

## Branchement de l'appareil

Après l'installation de l'appareil en position verticale, attendez au moins une demi-heure avant de le mettre en service. Il peut en effet arriver, pendant le transport, que l'huile présente dans le compresseur se déplace vers le circuit frigorifique.

Avant la première mise en service, nettoyez le compartiment intérieur de l'appareil (voir Nettoyage).

La prise de courant doit rester facilement accessible.

Branchez la fiche mâle de l'appareil dans une prise secteur en 220–240V / 50 Hz, réglementairement reliée à la terre. Cette prise doit être protégée par un fusible supportant un ampérage de 10 A minimum.

**Sur les appareils destinés aux pays non européens, vérifiez si la tension de branchement et le type de courant spécifiés sur la plaque signalétique concordent bien avec ceux offerts par le secteur du pays concerné.**

**La plaque signalétique se trouve en bas à gauche dans l'appareil. S'il faut changer le cordon d'alimentation secteur, ne confiez cette opération qu'à un spécialiste.**

### Attention !

**Ne branchez en aucun cas l'appareil à une «prise économie d'énergie» électronique ni à un onduleur qui convertit le courant continu (débité par par ex. par des installations solaires, par les réseaux de bord des bateaux) en courant alternatif de 230 V.**

## Enclenchement de l'appareil

Appuyez sur la touche Marche / Arrêt

**Fig. 2/1.** L'appareil commence à réfrigérer.

L'éclairage du compartiment réfrigérateur s'allume lorsque la porte est ouverte.

En usine, l'appareil a reçu le réglage de base suivant :

Compartiment réfrigérateur + 4 °C

Compartiment congélateur: -18 °C

## Remarques concernant le fonctionnement de l'appareil

- Le système Nofrost entièrement automatique fait que le compartiment congélateur et le compartiment réfrigérateur ne se givrent pas. La nécessité de dégivrer disparaît.
- L'appareil chauffe légèrement une partie de ses surfaces frontales pour empêcher une condensation d'eau dans la zone du joint de porte.
- Les portes de l'appareil présentent deux angles d'ouverture différents.

Lorsque vous ouvrez une porte, il peut arriver que la deuxième porte se déplace légèrement. Ceci est dû à des motifs techniques et n'a pas lieu de vous inquiéter.

- Si après avoir refermé le compartiment congélateur la porte refuse de s'ouvrir à nouveau, attendez s.v.p 2 à 3 minutes, temps nécessaire à la dépression, dans le compartiment, pour se résorber.

## Réglage de la température

### Compartiment réfrigérant

Réglez le thermostat **Fig. 2/5** sur un chiffre repère.

Un réglage plus important donne une température plus basse dans le compartiment réfrigérateur.

Recommandations :

- Pour conserver les aliments pendant longtemps : Réglez le thermostat sur une **valeur moyenne**.
- Réglez temporairement le thermostat sur une **valeur élevée** uniquement si vous rangez une grande quantité d'aliments dans le compartiment réfrigérateur en ouvrant souvent la porte.

Nous recommandons de ne pas ranger les produits alimentaires délicats à une température supérieure à +4 °C.

Lorsque le thermostat se trouve réglé sur une valeur moyenne, la température atteint env. +4 °C.

### Compartiment congélateur

Vous pouvez modifier les valeurs réglées : voir la description sur le bandeau de commande.

## Rangement des produits alimentaires

### Consignes de rangement à respecter :

- Rangez les aliments si possible bien emballés ou bien couverts. Ils garderont ainsi arôme, couleur et fraîcheur. Vous évitez également de cette manière que le goût de certains aliments ne se transmette à d'autres et qu'ils déteignent sur les pièces en plastique.
- Attendez que les boissons et aliments chauds aient refroidi à la température de la pièce avant de les ranger dans le compartiment congélateur.
- Dans le compartiment réfrigérateur, veillez à ce que les produits alimentaires n'obstruent pas les orifices de sortie d'air car cela gênerait sa circulation.

Les produits alimentaires rangées directement devant les orifices de sortie d'air peuvent geler au contact de l'air froid affluant.

### Nous recommandons de ranger les produits alimentaires comme suit :

- **Dans le compartiment congélateur :** produits surgelés, glaçons, glaces alimentaires
- **Sur les clayettes** du compartiment réfrigérateur (de haut en bas) : pâtisseries, plats précuisinés, produits laitiers, viande et charcuterie
- **Dans le bac à légumes :** légumes, salades, fruits
- En **contre-porte** (de haut en bas) : beurre, fromage, œufs, tubes, petites bouteilles, grandes bouteilles, lait, jus en sachets

## Contenance utile

Vous trouverez les indications relatives à la contenance utile sur la plaque signalétique de votre appareil.

## Equipement

(selon le modèle)

### Compartiment froid (compartiment fraîcheur)

#### Fig. 5

Tirez le fond du casier en avant. La trappe s'ouvre.

Les températures régnant dans le compartiment froid sont plus basses que dans le compartiment réfrigérateur. Des températures inférieures à 0 °C peuvent également se manifester.

Idéal pour ranger le poisson, la viande et la charcuterie. Ne convient pas pour les salades, les légumes et les produits alimentaires qui craignent le froid.

### Clayette à bouteilles

#### Fig. 6

Cette clayette permet de ranger des bouteilles de manière sûre. La fixation est variable.



## Congélation de produits frais

### Congeler soi-même les aliments

Pour congeler les aliments, n'utilisez que des aliments frais et d'un aspect impeccable.

#### Se prêtent à la congélation :

La viande et la charcuterie, les volailles et le gibier, le poisson, les légumes, les herbes aromatiques, les fruits, les pâtisseries, les pizzas, les plats cuisinés, les restes de plat, le jaune d'oeuf, le blanc d'oeuf.

#### Ne se prêtent pas à la congélation :

Les oeufs entiers dans leur coquille, la crème fraîche et la mayonnaise, la salade verte, les radis et les oignons.

#### Blanchiment des fruits et légumes

Blanchissez les fruits et légumes avant la congélation afin qu'ils conservent couleur, arôme, goût et vitamine C.

Pour ce faire, plongez les fruits et légumes quelques instants dans de l'eau bouillante.

Vous trouverez des livres sur la congélation et le blanchiment chez votre libraire.

## Emballage des aliments

1. Placez les aliments dans l'emballage.
2. Chassez complètement l'air de l'emballage.
3. Obturez l'emballage hermétiquement.
4. Inscrivez sur l'emballage le nom du contenu et la date de congélation.

#### Emballages inadaptés :

Papier d'emballage, papier sulfurisé, cellophane, sacs-poubelles, sacs d'achat déjà utilisés.

#### Emballages corrects:

Feuilles en plastique, feuilles-boyaux en polyéthylène, feuilles d'aluminium, boîtes de congélation.

Ces produits sont en vente dans le commerce spécialisé.

#### Pour obturer les emballages, utilisez des :

Caoutchoucs, clips en plastique, ficelles, rubans adhésifs résistants au froid, ou assimilés.

Vous pouvez fermer les sachets et feuilles-boyaux en polyéthylène au moyen d'un appareil à souder.

## Congélation et rangement

### Achat de produits surgelés

- Vérifiez si l'emballage est endommagé.
- Vérifiez la date limite de consommation recommandée.
- La température indiquée par le thermomètre du congélateur commercial doit être de  $-18^{\circ}\text{C}$  minimum. Si ce n'est pas le cas, la durée de conservation des produits surgelés diminue en conséquence.
- Utilisez de préférence un sac isotherme pour le transport puis rangez les produits le plus rapidement possible dans le compartiment congélateur.

### Rangement des produits surgelés

S'il faut ranger beaucoup de produits alimentaires, vous pouvez retirer le volet situé dans la zone supérieure du compartiment congélateur et retirer la clayette intermédiaire.

Afin de ne pas gêner la circulation de l'air, n'empilez pas les produits alimentaires au-delà de la limite.

## Préparation de glaçons

### Figure 7

Remplissez le bac à glaçons aux trois-quarts d'eau env. puis placez-le au bas du compartiment congélateur. Si le bac est resté collé dans le compartiment congélateur, n'utilisez qu'un instrument émoussé pour le décoller (un manche de cuiller par ex.).

Pour enlever les glaçons du bac, passez-le brièvement sous l'eau du robinet ou déformez légèrement le bac.

## Distributeur de glaçons

(selon le modèle)

### Fig. 8

1. Extrayez le bac à glaçons, remplissez-le d'eau aux  $\frac{3}{4}$  puis remettez-le en place.
2. Une fois que les glaçons se sont formés, tournez les poignés des bacs à glaçons plusieurs fois vers la droite puis relâchez-les.  
Les glaçons se détachent et tombent dans le bac à glace.
3. Sortez les glaçons du bac à glace.

## Supercongélation

Si des denrées alimentaires se trouvaient déjà dans l'appareil, enclenchez la supercongélation quelques heures avant de ranger les nouveaux produits à congeler. 4 à 6 heures suffisent généralement.

Cependant, si vous désirez congeler des quantités correspondant à la capacité de congélation maximale, vous devrez enclencher la supercongélation 24 heures avant. Si vous ne voulez congeler que de petites quantités d'aliments (jusqu'à 2 kg), vous n'avez pas besoin d'enclencher la supercongélation.

Pour enclencher la supercongélation, appuyez sur la touche **Fig. 2/4**.

La supercongélation s'éteint automatiquement deux jours et demi après au plus tard.

## Capacité de congélation maximale

Les aliments doivent congeler à coeur aussi vite que possible pour qu'ils conservent vitamines, valeur nutritive, aspect et goût. Pour cette raison, ne dépassez pas la capacité de congélation maximale de votre appareil. Suivant le type d'appareil, vous pouvez mettre à congeler en une fois les quantités

## Capacité de congélation

Sur la plaquette signalétique, vous trouverez des indications concernant la capacité de congélation maximale en 24 heures.

## Décongélation des produits

Selon la nature et l'utilisation des produits surgelés, vous pouvez choisir entre plusieurs possibilités:

- A la température ambiante.
- Dans le réfrigérateur.
- Dans le four électrique, avec / sans ventilateur à air chaud.
- Dans le micro-ondes.

### Remarque

Ne remettez pas à congeler des produits alimentaires partiellement ou entièrement décongelés. Vous pourrez les recongeler uniquement après les avoir transformés en plats pré-cuisinés (par cuisson ou rôtissage).

Dans ce cas, consommez-les nettement avant la date limite de conservation.

## Arrêt et remisage de l'appareil

### Coupure de l'appareil

Appuyez sur la touche Marche / Arrêt Fig. 2/1.

### Remisage de l'appareil

Si l'appareil doit rester longtemps sans servir :

1. Débranchez la fiche mâle de la prise de courant.
2. Nettoyez l'appareil.
3. Laissez les portes de l'appareil ouverte.

## Nettoyage de l'appareil

1. Débranchez la fiche mâle du secteur ou ramenez le disjoncteur en position éteinte!
2. N'essuyez le joint de porte qu'avec un chiffon et de l'eau propre; ensuite, séchez-le à fond.
3. Nettoyez l'appareil avec de l'eau tiède additionnée d'un peu de produit à vaisselle.
4. Après le nettoyage : rebranchez la fiche mâle de l'appareil puis réenclenchez-le.

### Attention !

N'employez pas de produits de nettoyage ou solvants contenant du sable ou des acides.

L'eau de nettoyage ne doit pas pénétrer dans

- les fentes situées dans la partie avant du fond du compartiment congélateur,
- dans le bandeau de commande / le thermostat et l'éclairage.

Ne nettoyez jamais les clayettes et les bacs au lave-vaisselle. Ces pièces pourraient se déformer.

## Economies d'énergie

- Placez votre appareil dans un endroit frais et bien aéré. Veillez à ce qu'il ne soit pas exposé aux rayons solaires et qu'il ne se trouve pas à proximité d'une source de chaleur (radiateur etc.). Laissez refroidir les boissons et aliments chauds hors de l'appareil.
- Placez les produits à décongeler dans le compartiment réfrigérateur.
- Vous pouvez utiliser le froid qu'ils ont emmagasiné pour refroidir les aliments stockés dans le réfrigérateur. Utilisez l'excédent de froid pour refroidir les aliments.
- N'ouvrez la porte de l'appareil que le plus brièvement possible.
- De temps en temps, nettoyez le dos de l'appareil avec un aspirateur ou un pinceau, ceci pour éviter une hausse de la consommation d'électricité.

## Bruits de fonctionnement

### Bruits parfaitement normaux

**Bourdonnements étouffés** – Ces bruits normaux se font entendre pendant que le compresseur est en marche.

**Gargouillis, clapotis légers ou bourdonnements** – Du fluide réfrigérant circule dans les serpentins.

**Cliquetis** – ils sont audibles lorsque le moteur se met en marche ou s'arrête.

**Craquement** – Le dégivrage automatique a lieu.

### Bruits faciles à supprimer

#### L'appareil ne repose pas d'aplomb

Vérifiez l'horizontalité de l'appareil à l'aide d'un niveau à bulle. Ajustez ensuite l'horizontalité par les pieds à vis ou placez un objet dessous.

#### L'appareil touche quelque chose.

Eloignez l'appareil de meubles ou d'appareils voisins.

#### Des tiroirs, paniers ou surfaces de rangement vibrent ou se coincent

Vérifiez les pièces amovibles puis remettez-les en place correctement.

#### Des récipients se touchent

Eloignez légèrement les bouteilles ou récipients les uns des autres.

## Remédier soi même aux petites pannes

### Avant d'appeler le service après-vente :

Vérifiez svp si vous ne pouvez pas remédier vous-même au dérangement à l'aide des instructions qui suivent.

Si vous faites venir le technicien, ses conseils vous seront facturés, même pendant la période de garantie!

Dérangement	Cause possible	Remède
L'éclairage ne fonctionne pas.	L'ampoule est grillée.	Changez l'ampoule : <b>Fig. 9</b> <ol style="list-style-type: none"> <li>Débranchez la fiche mâle de la prise de courant et/ou ramenez le disjoncteur en position éteinte.</li> <li>Changez l'ampoule (ampoule de rechange 15W max., 220 – 240 V, courant alternatif, culot E14).</li> </ol>
	L'interrupteur de l'éclairage est coincé. <b>Fig. 2/6</b>	Vérifiez s'il se laisse bouger.
La température dans le compartiment réfrigérateur est trop basse.	Des températures plus basses dans le compartiment congélateur peuvent aussi faire baisser la température dans le compartiment réfrigérateur. Ceci est dû à la technique de froid utilisée.	Haussez un peu la température du compartiment réfrigérateur.  Si cela ne suffit pas, du fait par exemple que la température ambiante est trop basse dans la pièce, faites remonter aussi un peu la température dans le compartiment congélateur.
Aucun voyant ne s'allume.	Coupure de courant ; disjoncteur disjoncté ; fiche mâle pas complètement branchée dans la prise.	Vérifiez si la prise est sous tension. Le disjoncteur doit se trouver en position armée.

Dérangement	Cause possible	Remède
La température régnant dans le compartiment congélateur est trop élevée.	<ul style="list-style-type: none"> <li>• Porte du compartiment congélateur ouverte.</li> <li>• Les orifices d'apport et d'évacuation d'air sont recouverts par des objets faisant obstacle.</li> <li>• Vous avez mis d'un coup trop de produits à congeler.</li> </ul>	<p>Fermez la porte.</p> <p>Veillez à ce que l'air puisse entrer et sortir librement.</p> <p>Ne dépassez pas la capacité de congélation maximale.</p>
La porte du compartiment congélateur est restée longtemps ouverte ; le compartiment congélateur n'atteint plus la température.	L'évaporateur (le générateur de froid) équipant le système Nofrost est tellement givré qu'il ne peut plus se dégivrer de façon entièrement automatique.	<p>Pour dégivrer l'évaporateur, sortez les produits alimentaires dans leurs casiers et rangez-les bien isolés dans un endroit frais.</p> <p>Eteignez l'appareil et éloignez-le du mur. Laissez la porte de l'appareil ouverte.</p> <p>Au bout de 20 Min. minutes environ, l'eau de dégivrage commence à couler dans le bac d'évaporation au dos de l'appareil. Pour éviter dans ce cas que le bac d'évaporation ne déborde, récupérez cette eau à l'aide d'une éponge.</p> <p>L'évaporateur est entièrement dégivré lorsqu'il ne coule plus d'eau de dégivrage dans le bac d'évaporation. Nettoyez le compartiment intérieur. Remettez ensuite l'appareil en service.</p>

## Service après-vente

Pour connaître le service après-vente situé le plus près de chez vous, consultez l'annuaire téléphonique ou le répertoire des services après-vente (SAV). Veuillez indiquer au SAV le numéro de série (E-Nr.) de l'appareil et son numéro de fabrication (FD).

Vous trouverez ces indications sur la plaque signalétique **Fig. 10**

Aidez-nous à éviter des déplacements inutiles : indiquez les numéros de série et de fabrication. Vous économiserez ainsi des suppléments de frais inutiles.

## Consejos para la eliminación del embalaje y el desguace de los aparatos usados

### Consejos para la eliminación del embalaje de los aparatos

El embalaje protege su aparato contra posibles daños durante el transporte. Todos los materiales de embalaje utilizados son respetuosos con el medio ambiente y pueden ser reciclados o reutilizados. Contribuya activamente a la protección del medio ambiente insistiendo en unos métodos de eliminación y recuperación de los materiales de embalaje respetuosos con el medio ambiente.

Su Distribuidor o Administración local le informará gustosamente sobre las vías y posibilidades más eficaces y actuales para la eliminación respetuosa con el medio ambiente de estos materiales.

### Desguace del aparato usado

Los aparatos usados incorporan materiales valiosos que se pueden recuperar, entregando el aparato a dicho efecto en un centro oficial de recogida o recuperación de materiales reciclables.



Este aparato cumple con la Directiva europea 2002/96/CE sobre aparatos eléctricos y electrónicos identificada como (Residuos de aparatos eléctricos y electrónicos).

La directiva proporciona el marco general válido en todo el ámbito de la Unión Europea para la retirada y la reutilización de los residuos de los aparatos eléctricos y electrónicos.



### ¡Atención!

Antes de deshacerse de su aparato usado

1. Extraer el enchufe de conexión del aparato de la toma de corriente de la red eléctrica.
2. Corte el cable de conexión del aparato y retírelo conjuntamente con el enchufe.

Todos los aparatos frigoríficos contienen gases aislantes y refrigerantes, que exigen un tratamiento y eliminación específicos. Preste atención a que las tuberías del circuito de frío de su aparato no sufran daños ni desperfectos antes de haberlo entregado en el correspondiente Centro Oficial de recogida.



# Consejos y advertencias de seguridad

## Antes de emplear el aparato nuevo

Lea detenidamente las instrucciones de uso y de montaje de su aparato!

En éstas se facilitan informaciones y consejos importantes relativos a su seguridad personal, así como a la instalación, el manejo y el cuidado correctos del mismo.

Guarde las instrucciones de uso y de montaje para ulteriores consultas o para un posible propietario posterior.

## Seguridad técnica

- El presente aparato incorpora una pequeña cantidad de isobután (R 600a), un gas natural de elevada compatibilidad medioambiental, aunque es inflamable. Al efectuar la instalación y montaje de la unidad, deberá prestarse particular atención a que el circuito de frío no sufra ningún tipo de daño o desperfecto. Tenga presente que la salida a chorro del agente refrigerante puede inflamarse o provocar lesiones en los ojos.

### En caso de daños

- Mantener las fuentes de fuego o focos de ignición alejados del aparato.
- Extraer el enchufe de conexión del aparato de la toma de corriente de la red eléctrica.
- Ventilar el recinto durante varios minutos.
- Avisar al Servicio de Asistencia Técnica Oficial de la marca.

Cuanto mayor cantidad de agente refrigerante contenga el aparato, mayores dimensiones tiene que tener el recinto en donde se vaya a colocar. En recintos demasiado pequeños pueden formarse mezclas inflamables de aire y gas en caso de producirse fugas en el circuito de frío del aparato.

Las dimensiones mínimas de la habitación o local en donde se encuentra instalado el aparato deberán ser 1 m<sup>3</sup> por cada 8 gramos de agente refrigerante. La cantidad de agente refrigerante que incorpora su aparato figura en la placa de características, que se encuentra en el interior del mismo.

- La sustitución del cable de conexión a la red eléctrica del aparato, así como cualquier otra reparación que fuera necesario efectuar en éste, sólo podrán ser ejecutadas por técnicos especializados de la marca. La instalación o reparación efectuadas de modo erróneo o incorrecto pueden implicar serios peligros para el usuario.

## Al usar el aparato

- No usar aparatos eléctricos en el interior de la unidad (por ejemplo calefactores, heladoras, etc.). **¡Existe peligro de explosión!**
- No utilizar ningún tipo de limpiadora de vapor para desescarchar o limpiar la unidad! El vapor caliente podría penetrar en interior del aparato, accediendo a los elementos conductores de corriente y provocar cortocircuitos. **¡Peligro de descarga eléctrica!**
- No guardar productos combinados con agentes o gases propelentes (por ejemplo sprays) ni materias explosivas en el aparato. **¡Existe peligro de explosión!**
- No utilizar el zócalo, los cajones o las puertas de la unidad como pisaderas o reposapiés.
- Antes de desescarchar o limpiar el aparato, extraer el enchufe de conexión de la toma de corriente de la red o desconectar el fusible.  
¡No tirar del cable de conexión del aparato, sino asirlo siempre por el cuerpo del enchufe!
- En caso de conservar bebidas con un elevado contenido de alcohol en la unidad, conviene envasarlas en botellas provistas de un cierre hermético y colocarlas siempre en posición vertical.
- No permitir que las grasas y aceites entren en contacto con los elementos de plástico del interior del frigorífico o la junta de la puerta. El plástico y la junta de goma son materiales muy susceptibles a la porosidad.
- No obstruir ni cubrir nunca las rejillas de ventilación y aireación del aparato.

- No guardar en el compartimento de congelación botellas ni tarros o latas que contengan líquidos, particularmente bebidas gaseosas. ¡Las botellas y latas pueden estallar!
- No introducir en la boca directamente los helados, polos o cubitos de hielo extraídos del congelador.  
**¡Peligro de quemaduras!**
- ¡Peligro de quemaduras a causa de las bajas temperaturas!  
**¡Peligro de quemaduras!**
- No rasar el hielo o la escarcha ni tratar de desprender alimentos congelados con ayuda de objetos metálicos cortantes (por ejemplo cuchillos), dado que las rejillas congeladoras podrían resultar dañadas. La salida a chorros del agente refrigerante puede provocar lesiones en los ojos o inflamarse.

## En caso de haber niños en el hogar

- No dejar que los niños jueguen con el embalaje del aparato o partes del mismo. ¡Existe peligro de asfixia a causa de los cartones y las láminas de plástico!
- No permita que los niños jueguen con la unidad ni se sienten sobre los cajones o se columpien de las puertas!
- En caso de disponer de la unidad de una cerradura, guardar la llave fuera del alcance de los niños!

## Observaciones de carácter general

El aparato es adecuado

- la refrigeración y congelación de alimentos y
- la preparación de cubitos de hielo.

El aparato está destinado al uso en el ámbito doméstico.

El aparato está dotado de un dispositivo de desparasitaje según la directiva de la Unión Europea 89/336/EEC.

La estanqueidad del circuito de refrigeración viene verificada de fábrica. Este producto cumple las normas específicas de seguridad para aparatos eléctricos (EN 60335/2/24).

## Emplazamiento de la unidad

El lugar más adecuado para el emplazamiento del aparato es una habitación seca, dotada de una buena ventilación. Recuerde además que el aparato no debe instalarse de forma que reciba directamente los rayos del sol, ni encontrarse tampoco próximo a focos activos de calor tales como cocinas, calefacciones, etc. No obstante, si esto último fuera inevitable, se habrá de proteger la unidad con un panel aislante adecuado, o bien observar las siguientes distancias mínimas de separación con respecto a la fuente de calor en cuestión:

Cocinas eléctricas, 3 cm.

Cocinas de gas-oil o de carbón, 30 cm.

En los aparatos con manillas superpuestas deberá observarse en el lateral con el tope una distancia mínima de 55 mm respecto a la pared, a fin de poder abrir la puerta en un ángulo de 90°.

## Cambio del sentido de apertura de la puerta

Aconsejamos encargar los trabajos necesarios para cambiar el sentido de apertura de la puerta al Servicio de Asistencia Técnica Oficial de la marca.

Antes de proceder a los trabajos de transformación deberá extraerse el cable de conexión de la toma de corriente o desactivar el fusible.

**¡Atención! Volcar el aparato cuidadosamente hasta hacerlo descansar sobre su parte posterior.**

Ejecutar los trabajos de montaje siguiendo el orden marcado por los números.

1. Cambiar de posición las manillas de la puerta. **Figura 1/B**
2. Cambio del sentido de apertura de la puerta. **Figura 1/A**

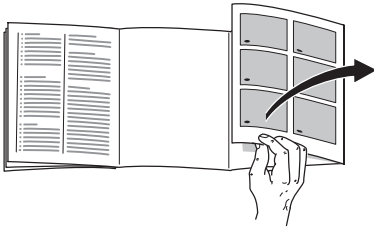
## Nivelar el aparato

**Figura 3**

Colocar el aparato en su emplazamiento definitivo y nivelarlo.

Para enroscar o desenroscar los soportes se requiere un destornillador.

## Familiarizándose con la unidad



Despliegue, por favor, la última página con las ilustraciones. Las presentes instrucciones de uso son válidas para varios modelos de aparato.

por ello puede ser posible que se describan detalles y características de equipamiento que no concuerdan con las de su aparato concreto.

## Ejemplo de equipamiento

### Figura 2

(no disponible en todos los modelos)

- 1-4 Cuadro de mandos
- 5 Regulador de la temperatura para el compartimento frigorífico
- 6 Fabricador de hielo
- 7 Depósito para guardar los cubitos de hielo
- 8 Interruptor de la iluminación interior
- 9 Compartimento de conservación en frío (Compartimento fresco especial)
- 10 Abertura de salida del aire
- 11 Iluminación interior
- 12 Baldas en el compartimento frigorífico

- 13 Cajón para fruta y verdura
- 14 Soportes roscados
- 15 Elemento portahuevos
- 16 Soportes para tarros y latas pequeñas
- 17 Botellero para guardar botellas grandes

## Cuadro de mandos

### Figura 2

- 1 **Tecla para conexión y desconexión del aparato**
- 2 **Tecla de ajuste de la temperatura del compartimento de congelación**  
Ajustable de  $-16^{\circ}\text{C}$  a  $-24^{\circ}\text{C}$ .  
Accionar la tecla repetidas veces, hasta que se ilumine el piloto de aviso de la temperatura correspondiente. El valor mostrado en último lugar es memorizado.
- 3 **Piloto de aviso de la temperatura del compartimento de congelación**  
Las cifras de los pilotos de aviso señalan la temperatura en  $^{\circ}\text{C}$ . La iluminación del piloto de aviso correspondiente señala la temperatura ajustada.
- 4 **Tecla Congelación ultrarrápida**  
Para conectar y desconectar la función de congelación ultrarrápida. La iluminación del piloto indica la activación de la función.

## Prestar atención a la temperatura del entorno y la ventilación del aparato

La clase climática a la que pertenece el aparato figura en la placa de características del mismo. E indica a qué temperatura del entorno puede funcionar el aparato.

Clase climática	Temperatura del entorno admisible
SN	+10 °C hasta 32 °C
N	+16 °C hasta 32 °C
ST	+18 °C hasta 38 °C
T	+18 °C hasta 43 °C

## Ventilación

### Figura 4

El aire recalentado en la pared posterior del aparato debe poder escapar libremente. De lo contrario, el aparato tendrá que aumentar su rendimiento, provocando un consumo de energía eléctrica elevado e inútil.

Por esta razón habrá que prestar particular atención a que las aberturas de ventilación y aireación no estén nunca obstruidas!

## Conectar el aparato a la red eléctrica

Tras colocar el aparato en su emplazamiento definitivo deberá dejarse reposar éste durante aprox. media hora antes de ponerlo en funcionamiento, dado que durante el transporte del aparato puede ocurrir que el aceite contenido en el compresor penetre en el circuito del frío.

Limpiar el interior del aparato antes de su puesta en funcionamiento inicial (véase el capítulo «Limpieza»).

La toma de corriente deberá ser libremente accesible (preferentemente emplazada por encima del armario).

Conectar la unidad a una red eléctrica de corriente alterna de 220–240 V/50 Hz a través de una toma de corriente instalada reglamentariamente y provista de puesta a tierra. La toma de corriente debe estar protegida con un fusible de 10 amperios como mínimo.

**En los aparatos destinados a países fuera del continente europeo deberá verificarse si los valores de la tensión de conexión y el tipo de corriente que figuran en la placa de características del aparato coinciden con los de la red nacional. La placa de características del aparato se encuentra en el lateral inferior izquierdo. En caso de que fuera necesario sustituir el enchufe de conexión a la red eléctrica, esto sólo podrá ser efectuado por técnicos especializados de la marca.**

## ⚠ ¡Atención!

No conectar el aparato en ningún caso a conectores electrónicos para ahorro energético ni tampoco a rectificadores inversos que transforman la corriente continua en corriente alterna de 230 V (por ejemplo instalaciones de energía solar, redes eléctricas de buques).

## Conectar el aparato

Pulsar la tecla «Conexión / Desconexión» **Figura 2/1**. El aparato comienza a refrigerar.

La iluminación interior del compartimento frigorífico se activa al abrir la puerta del aparato.

El aparato se suministra de fábrica con el siguiente ajuste básico:

Compartimento frigorífico: +4 °C

Compartimento de congelación: -18 °C

## Advertencias relativas al funcionamiento del aparato

- Gracias al sistema automático no-frost, el compartimento de congelación queda siempre libre de escarcha. Por ello no hay que realizar el desescarchado del mismo.
- Los lados frontales del cuerpo del aparato son calentados ligeramente. De este modo se impide la formación de agua de condensación en la zona de la junta de la puerta.
- Las puertas del aparato tienen dos ángulos de apertura distintos.

Al abrir una de las puertas, puede ocurrir que la segunda puerta se mueva algo. Esto obedece a razones técnicas y no significa ningún tipo de defecto o avería.

- En caso de que, tras cerrar la puerta del compartimento de congelación, ésta no se pueda volver a abrir inmediatamente, ello se debe a que, cuando se abre la puerta, se crea una cierta depresión en el interior del aparato. Por lo tanto, cuando se produzca tal situación deberá aguardarse unos dos a tres minutos antes de abrir la puerta, a fin de permitir que la depresión sea compensada.

## Ajustar la temperatura

### Compartimento frigorífico

Colocar el regulador de la temperatura **Figura 2/5** en una posición de ajuste.

El ajuste del mando regulador en una posición elevada da lugar a una temperatura más baja (frío) en el compartimento frigorífico.

Consejos prácticos:

- para conservar los alimentos durante un período prolongado: colocar el mando regulador en un **valor medio**.
- colocar el mando regulador en **valor elevado** sólo de modo temporal, en caso de: abrir la puerta con gran frecuencia o introducir grandes cantidades de alimentos frescos en el compartimento frigorífico.

Los alimentos delicados no se deberán guardar a una temperatura superior a los +4 °C.

Colocando el regulador en una posición de ajuste media, se alcanza una temperatura de aprox. +4 °C.

### Compartimento de congelación

Los valores ajustados se pueden modificar. Véase a este respecto la explicación que figura en el cuadro de mandos.

## Colocar y ordenar los alimentos

### Puntos a tener en cuenta al colocar los alimentos en el aparato:

- Colocar los alimentos empaquetados o bien cubiertos en la unidad. De este modo se evita que los alimentos se deshidraten, descoloren o pierdan su valor nutritivo y aroma. Además se evita la mezcla de olores y sabores, así como una posible decoloración de las piezas de plástico. Las verduras, frutas y lechugas se pueden guardar en los cajones para las verduras, sin necesidad de envolverlas.
- Dejar enfriar los alimentos o bebidas calientes hasta una temperatura ambiente antes de introducirlos en el aparato.
- No obstruir ni bloquear con alimentos las aberturas de salida del aire a fin de permitir la libre circulación del mismo.

Los alimentos colocados en las inmediaciones de las aberturas de salida del aire pueden resultar congelados como consecuencia del aire frío que sale por éstas.

### Consejos prácticos para guardar los alimentos:

- En el **compartimento de congelación**: productos ultracongelados, cubitos de hielo, helados.
- Colocar **sobre las bandejas** en el frigorífico (de arriba hacia abajo): Pan y bollería, platos cocinados, productos lácteos, carne y embutido.
- En el **cajón para la verdura**: Verduras y hortalizas, frutas y lechugas.
- En los estantes y compartimentos de la **cara interior de la puerta** (de arriba hacia abajo): Mantequilla y queso, huevos, tarros, botellas pequeñas, botellas grandes, bolsas o briks de leche, briks de zumos de frutas.

## Capacidad útil

Las indicaciones sobre la capacidad útil de su aparato figuran en la placa del mismo.

## Equipamiento

(no disponible en todos los modelos)

### Compartimento de conservación en frío (Compartimento fresco especial)

#### Figura 5

Extraer el fondo del compartimento hacia adelante. La trampilla se abre.

En el compartimento fresco especial reina una temperatura más baja (frío) que en el compartimento frigorífico, pudiendo registrarse también temperaturas inferiores a 0 °C.

El compartimento es ideal para guardar el pescado, la carne y el embutido. No es apropiado para guardar lechugas, verduras y alimentos sensibles al frío.

### Soporte para botellas

#### Figura 6

En la balda portabotellas se pueden colocar con toda seguridad las botellas. El soporte es variable.

## Congelar alimentos frescos

### Congelar alimentos frescos en casa

Si decide congelar usted mismo los alimentos, utilice únicamente alimentos frescos y en perfectas condiciones.

#### Alimentos adecuados para la congelación:

Carnes y fiambres, aves y caza, pescado, legumbres, verduras y hortalizas, hierbas aromáticas, fruta, pan, bollería y repostería, pizza, platos cocinados, restos de comidas, yemas y claras de huevos.

#### Alimentos que no deben congelarse:

Huevos enteros en su cáscara, nata fresca acidulada y mayonesa, lechugas, rábanos, rábanos picantes y cebollas.

#### Blanqueado (escaldado) de verduras, frutas y legumbres

En el caso de las verduras, frutas y legumbres es importante blanquearlas (escaldarlas) antes de su congelación, para que su sabor, aroma o color no se deteriore, no pierdan tampoco su valor nutritivo y conserven al máximo su contenido de vitamina «C».

Las frutas y verduras se blanquean sumergiéndolas unos momentos en agua hirviendo.

Más detalles sobre este método podrán hallarse en cualquier libro o manual de cocina que trate los aspectos de la congelación de alimentos y en donde se describa el método del blanqueado.



## Envasado de los alimentos

1. Introducir los alimentos en la envoltura prevista a dicho efecto.
2. Procurar eliminar todo el aire que pudiera haber en el envase.
3. Cerrarlo herméticamente.
4. Marcar los envases, indicando su contenido y la fecha de congelación.

### Materiales no apropiados para el envasado de alimentos:

Papel de empaquetar, papel apergaminado, celofán, bolsas de la basura y bolsitas de plástico de la compra ya usadas.

### Materiales indicados para el envasado de los alimentos:

Láminas de plástico, bolsitas y láminas de polietileno, papel de aluminio, cajitas y envases específicos para la congelación de alimentos.

Todos estos productos y materiales se pueden adquirir en la mayoría de los supermercados, grandes almacenes o en el comercio especializado.

### Materiales apropiados para el cierre de los envases:

Gomitas, clips de plástico, bramante, cinta adhesiva incongelable, etc. Las bolsitas o láminas de plástico de polietileno se pueden termosellar con una soldadora de plásticos.

## Congelar y guardar alimentos

### Puntos a tener en cuenta al comprar alimentos ultracongelados

- Verifique la fecha de caducidad de los alimentos. Cerciórese de que ésta no ha vencido.
- Prestar atención a que la envoltura del alimento o producto congelado no presente ningún tipo de daño.
- La indicación de la temperatura del congelador del establecimiento en donde adquiera los alimentos deberá señalar un valor mínimo de  $-18^{\circ}\text{C}$ , de lo contrario se reduce el período de conservación de los alimentos congelados.
- Al hacer la compra, recuerde que conviene adquirir los alimentos congelados en el último momento. Procure transportarlos directamente a casa envueltos en una bolsa isotérmica. Una vez en el hogar, deberá colocarlos inmediatamente en el compartimento de congelación.

### Guardar los alimentos congelados

En caso de tener que introducir una gran cantidad de alimentos en el compartimento de congelación, se pueden retirar la trampilla situada en la parte superior del mismo, así como la bandeja intermedia.

Con objeto de no obstaculizar la libre circulación del aire en el aparato no deberán apilarse los alimentos más allá del tope limitador de apilamiento.

## Preparación de cubitos de hielo

### Figura 7

Llenar  $\frac{3}{4}$  partes de la cubitera de hielo con agua. Colocarla en el fondo del compartimento de congelación. Desprender la cubitera adherida sólo con ayuda de un objeto romo, como por ejemplo el mango de una cuchara.

Para retirar los cubitos de hielo de la cubitera, colocar ésta brevemente debajo del chorro de agua del grifo o doblarla.

## Fabricador de hielo

(no disponible en todos los modelos)

### Figura 8

1. Extraer la cubitera de hielo, llenar  $\frac{3}{4}$  partes de la cubitera de hielo con agua y colocarla en su sitio.
2. Para retirar los cubitos de hielo de la cubitera, doblar ésta ligeramente o colocarla brevemente bajo el chorro de agua del grifo.  
Los cubitos caerán en el cajón receptor de los cubitos.
3. Los cubitos de hielo se pueden guardar en el recipiente de conservación.

## Congelación ultrarrápida

En caso de guardar productos ya congelados en el compartimento de congelación, deberá activarse la opción de congelación ultrarrápida varias horas antes de colocar los alimentos frescos en el compartimento de congelación. En general basta activar dicha opción con 4–6 horas de antelación.

Si se desea aprovechar la capacidad máxima de congelación, se necesitarán 24 horas. Pequeñas cantidades de alimentos (hasta 2 kg) se pueden congelar sin necesidad de activar la congelación ultrarrápida.

Para activar la función de congelación ultrarrápida, pulsar la tecla **Figura 2/4**.

La función se desactiva automáticamente como máximo pasadas 60 horas (2 días y medio) de su activación.

## Capacidad máxima de congelación

Para que los alimentos conserven su valor nutritivo, vitaminas y buen aspecto hay que congelar el centro lo más rápidamente posible. Por esta razón no deberá superarse la máxima capacidad de congelación del aparato.

## Capacidad de congelación

Las indicaciones relativas a la máxima capacidad de congelación en 24 horas se facilitan en la placa del aparato.

## Descongelar los alimentos

Según el tipo y la naturaleza de su uso, se puede elegir entre los siguientes procedimientos:

- Temperatura ambiente,
- En el frigorífico,
- En un horno eléctrico, con /sin calentador de aire,
- Con horno microondas.

### Advertencia

Los alimentos que se hayan descongelado o hayan empezado a descongelarse, sólo se podrán volver a congelar tras asarlos, freírlos, hervirlos o preparar con ellos platos cocinados.

En este caso no se deberá agotar al máximo el tiempo de caducidad de los productos.

## Desconexión y paro del aparato

### Desconectar el aparato

Pulsar la tecla «Conexión / Desconexión»  
**Figura 2/1.**

### Paro del aparato

En caso de largos períodos de inactividad de la unidad:

1. Extraer el enchufe de conexión del aparato de la toma de corriente de la red eléctrica.
2. Limpieza de la unidad.
3. Dejar la puerta abierta.

## Limpieza de la unidad

1. extrayendo para ello el enchufe del aparato de la red de corriente, o desactivando el fusible!
2. Limpiar la junta de la puerta sólo con agua clara, secándola bien a continuación.
3. Limpiar el interior del aparato con agua tibia y un lavavajillas manual suave.
4. Tras concluir la limpieza del aparato: Conectarlo a la red y ponerlo en funcionamiento.

### ¡Atención!

En ningún caso deberán emplearse arenilla, agentes frotadores o limpiadores con ácidos o disolventes químicos.

El agua empleada en la limpieza del aparato no debe penetrar

- en las rendijas de la zona frontal del fondo del compartimento de congelación,
- en el cuadro de mandos / regulador de la temperatura,
- ni entrar en contacto con la iluminación.

No lavar nunca las bandejas, compartimentos o estantes del aparato en el lavavajillas. ¡Las piezas pueden deformarse!

## Consejos prácticos para ahorrar energía eléctrica

- Emplazar el aparato en una habitación seca y fresca, dotada de una buena ventilación. El aparato no debe instalarse de forma que reciba directamente los rayos del sol, ni encontrarse tampoco próximo a un foco activo de calor tal como cocinas, calefacciones, etc. No obstante, si esto último fuera inevitable, se habrá de proteger la unidad con un panel aislante adecuado.
- Dejar enfriar los alimentos o bebidas calientes hasta una temperatura ambiente antes de introducirlas en el frigorífico.
- Descongelar los productos congelados en el interior del frigorífico. De esta manera se puede aprovechar el frío desprendido por los mismos para la refrigeración de los restantes alimentos guardados.
- Mantener abierta la puerta del aparato el menos tiempo posible.
- Pasar de vez en cuando un aspirador o pincel por la parte posterior del aparato con objeto de evitar que la acumulación de polvo pueda dar lugar a un aumento del consumo de corriente.

## Ruidos de funcionamiento del aparato

### Ruidos de funcionamiento normales del aparato

**Los ruidos en forma de murmullos sordos** – se deben al funcionamiento del grupo frigorífico.

**Los ruidos en forma de gorgoteo** – se producen al penetrar el líquido refrigerante en los tubos delgados una vez que ha entrado en funcionamiento el compresor.

**Los ruidos en forma de clic** – se escuchan cuando se conecta y desconecta el compresor.

**Se producen ruidos en forma de chasquidos** – se está realizando el desescarchado automático.

## Ruidos que se pueden solucionar fácilmente

### El aparato está colocado en posición desnivelada

Nivelar el aparato con ayuda de nivel de burbuja y los soportes roscados del aparato; calzarlo en caso necesario.

### El aparato entra en contacto con muebles u otros objetos

Retirar el aparato de los muebles u otros aparatos con los que esté en contacto.

### Los cajones, bandejas y estantes oscilan o están agarrotados

Verificar los elementos desmontables y, en caso necesario, colocarlos en un nuevo emplazamiento.

### Las botellas o recipientes entran en contacto mutuo

Separar algo las botellas y los recipientes.

## Pequeñas averías de fácil solución

### Antes de avisar al Servicio de Asistencia Técnica Oficial:

Compruebe si la avería o fallo que usted ha constatado se encuentra recogida en los siguientes consejos y advertencias.

De este forma se evitará usted gastos innecesarios, dado que en estos casos, los gastos del técnico no quedan cubiertos por las prestaciones del servicio de garantía!

Avería	Posible causa	Forma de subsanarla
La iluminación no funciona.	La bombilla está fundida.  El interruptor de la luz está agarrotado. <b>Figura 2/6</b>	Sustituir la bombilla. <b>Figura 9</b>  1. Extraer el enchufe del aparato de la toma de corriente o desconectar el fusible de la red.  2. Sustituir la bombilla fundida por una nueva (Lámpara de repuesto, max. 15W 220–240 V, para el número de vatios, base E14).  Verificar la movilidad del interruptor.

Avería	Posible causa	Forma de subsanarla
<b>La temperatura en el interior del compartimento frigorífico es demasiado baja (frío).</b>	Unas bajas temperaturas (frío) en el compartimento de congelación pueden dar lugar a bajas temperaturas (frío) en el compartimento frigorífico. Este fenómeno obedece a razones técnicas.	Ajustar una temperatura algo más elevada (calor) en el compartimento frigorífico.  Si esto no fuera suficiente, por ejemplo al reinar una baja temperatura en el entorno, deberá ajustarse una temperatura más elevada (calor) también en el compartimento de congelación.
<b>No se ilumina ninguna pantalla ni ninguno de los pilotos de aviso.</b>	Se ha producido un corte del suministro de corriente eléctrica; el fusible se ha fundido; el enchufe del aparato no está asentado correctamente en la toma de corriente.	Verificar si hay corriente eléctrica, cerciorarse de que el fusible de la red está conectado.
<b>La temperatura en el interior del compartimento de congelación es demasiado elevada (calor).</b>	<ul style="list-style-type: none"> <li>• La puerta del compartimento de congelación está abierta.</li> <li>• Las aberturas de ventilación y aireación están obstruidas.</li> <li>• Se ha introducido una cantidad excesiva de alimentos frescos en el compartimento de congelación.</li> </ul>	Cerrar la puerta del aparato.  Cerciorarse de que las aberturas de ventilación y aireación no están obstruidas.  No superar la máxima capacidad de congelación de alimentos frescos del aparato.

Avería	Posible causa	Forma de subsanarla
<p><b>La puerta del compartimento de congelación ha permanecido abierta durante un tiempo prolongado; no se alcanza la temperatura ajustada.</b></p>	<p>El evaporador (generador de frío) del sistema No-Frost presenta tal acumulación de hielo o escarcha, que no es capaz de realizar automáticamente el ciclo de desescarchado.</p>	<p>Para desescarchar el evaporador, retirar primero los alimentos de los cajones y gavetas de congelación y guardarlos, bien aislados, en un lugar lo más frío posible.</p> <p>Desconectar el aparato y retirarlo de la pared. Dejar la puerta abierta.</p> <p>Al cabo de 20 minutos comienza a correr el agua de descongelación hasta la bandeja de evaporación situada en la parte posterior del aparato. Con objeto de evitar en este caso que el agua de descongelación pueda rebosar en la bandeja de evacuación, recoger el agua de descongelación con una esponja.</p> <p>Cuando deje de acceder agua de descongelación a la bandeja de evaporación, el evaporador está desescarchado. Limpiar el interior del aparato. Volver a conectar el aparato.</p>

## Servicio de Asistencia Técnica

La dirección y el número de teléfono del Servicio de Asistencia Técnica Oficial de la marca más próximo a su domicilio los podrá localizar a través de la guía telefónica de su localidad o el directorio del Servicio de Asistencia Técnica Oficial. Al solicitar la intervención del Servicio de Asistencia Técnica, no olvide indicar el Número de producto (E-Nr.) y el Número de fabricación (FD) de su unidad.

Ambos números se encuentran en la placa de características del aparato.

### Figura 10

De este forma se evitará usted gastos innecesarios, dado que en estos casos, los gastos del técnico no quedan cubiertos por las prestaciones del servicio de garantía.

## Instruções sobre reciclagem


### Reciclagem da embalagem

A embalagem protege o seu aparelho contra danos durante o transporte. Todos os materiais utilizados são compatíveis com o meio ambiente e reutilizáveis. Ajude Você também e proceda à reciclagem da embalagem de forma compatível com o meio ambiente.

Junto do seu Agente ou dos Serviços Municipalizados poderá informar-se sobre os procedimentos actuais de reciclagem.

### Reciclagem dos aparelhos usados

Os aparelhos antigos não são lixo sem qualquer valor. Através duma reciclagem compatível com o meio ambiente, podem ser recuperadas matérias primas valiosas.

 Este aparelho está marcado em conformidade com a Directiva 2002/96/CE relativa aos resíduos de equipamentos eléctricos e electrónicos (waste electrical and electronic equipment – WEEE). A directiva estabelece o quadro para a criação de um sistema de recolha e valorização dos equipamentos usados válido em todos os Estados Membros da União Europeia.

### Aviso

Em aparelhos fora de serviço

1. Desligar a ficha da tomada.
2. Cortar o cabo eléctrico e afastá-lo do aparelho com a respectiva ficha de rede.

Os aparelhos de frio contêm agente refrigerador e, no isolamento, gases. O agente refrigerador e os gases devem ser eliminados correctamente. Ter cuidado para não danificar a tubagem do agente refrigerador até à sua reciclagem correcta.

## Instruções de segurança e de aviso

### Antes de colocar o aparelho em funcionamento

Deverá ler atentamente as instruções de serviço e de montagem! Delas constam informações importantes sobre instalação, utilização e manutenção do aparelho. Guarde toda a documentação para posterior utilização ou para outro possuidor.

### Segurança técnica

- O aparelho contém, em quantidades reduzidas o agente de refrigeração R600a não poluente, mas inflamável. Ter cuidado, para que a tubagem do circuito do agente refrigerador não sofra qualquer dano durante o transporte ou durante a montagem. O agente refrigera- dor, ao libertar-se, poderá causar ferimentos nos olhos ou inflamar-se.



## Em caso de danos

- Manter o aparelho afastado de chamas abertas ou de fontes de ignição.
- Desligar a ficha da tomada.
- Arejar bem o compartimento durante alguns minutos.
- Contactar os Serviços Técnicos.

Quanto maior for a quantidade de agente refrigerador num aparelho, maior deverá ser o compartimento onde o aparelho está instalado. Em espaços muito pequenos e havendo uma fuga, pode formar-se uma mistura de gás/ar inflamável.

Por cada 8 g de agente refrigerador o compartimento deverá ter, no mínimo, 1 m<sup>3</sup>. A quantidade de agente refrigerador do seu aparelho vem indicada na chapa de características, que se encontra no interior do aparelho.

- A substituição do cabo eléctrico e outras reparações só podem ser efectuadas pelos Serviços Técnicos. Instalações e reparações inadequadas podem acarretar perigos vários para o utilizador.

## Utilização

- Nunca utilizar aparelhos eléctricos dentro do aparelho (por ex. aquecedores, aparelhos eléctricos para fazer gelados, etc.). **Perigo de explosão!**
- Nunca descongelar nem limpar o aparelho com um aparelho de limpeza a vapor! O vapor pode atingir os componentes eléctricos e provocar um curto-circuito. **Perigo de choque eléctrico!**
- Não guardar no aparelho produtos com gases propulsores (por ex. latas de spray) e produtos explosivos. **Perigo de explosão!**

- Não utilizar rodapés, gavetas, portas, etc. como estribos ou zonas de apoio.
- Para descongelar e limpar, desligar a ficha da tomada ou o fusível de segurança. Puxar pela ficha e não pelo cabo eléctrico.
- Álcool de elevada percentagem só pode ser guardado dentro do aparelho, se em recipiente hermeticamente fechado e em posição vertical.
- Ter cuidado para não sujar as peças de plástico e o vedante da porta com óleo ou gordura. As peças de plástico e o vedante da porta podem, de contrário, tornar-se porosos.
- Nunca tapar ou obstruir as grelhas de ventilação do aparelho.
- Não guardar na zona de congelação líquidos em garrafas ou latas (especialmente bebidas gaseificadas). As garrafas e as latas podem rebentar!
- Nunca levar imediatamente à boca alimentos congelados e acabados de retirar da zona de congelação. **Perigo de queimaduras provocadas pelo frio!**
- Evitar o contacto prolongado das mãos com os alimentos congelados, com o gelo ou com a tubagem do evaporador, etc.. **Perigo de queimaduras provocadas pelo frio!**
- Não raspar a camada de gelo ou os alimentos congelados e agarrados com uma faca ou um objecto pontiagudo. Poderá, assim, danificar a tubagem do agente refrigerador. O agente refrigerador, ao libertar-se, pode incendiar ou provocar ferimentos nos olhos.

## Crianças em casa

- Não deixar a embalagem e seus componentes ao alcance de crianças. Perigo de asfixia pelos cartões dobráveis e películas!
- O aparelho não é um brinquedo para crianças!
- No caso de aparelhos com fechadura: Guardar a chave fora do alcance das crianças!

## Determinações gerais

O aparelho destina-se

- à refrigeração e congelação de alimentos,
- à preparação de gelo.

O aparelho destina-se a utilização doméstica.

O aparelho está protegido contra interferências, de acordo com a directiva UE 89/336/EEC.

O circuito de frio foi testado quanto a sua estanquidade.

Este produto corresponde às determinações sobre segurança em vigor para aparelhos eléctricos (EN 60335/2/24).

## Instalação

O aparelho deve ser instalado em local seco e arejado. O local da instalação não deve estar sujeito à acção directa dos raios solares nem estar perto de qualquer fonte de calor, como um fogão, um aquecedor, etc. Se a instalação junto de uma fonte de calor for inevitável, deverá utilizar uma placa isoladora adequada ou manter as seguintes distâncias mínimas em relação à fonte de calor:

Em relação a fogões eléctricos 3 cm.  
Em relação a fogões a óleo ou a carvão 30 cm.

Os aparelhos com os puxadores aplicados necessitam, no lado do batente, de um mínimo de 55 mm de distância em relação à parede, para que a porta possa ser aberta 90°.

## Alteração do sentido de abertura da porta

Recomendamos que a alteração do batente da porta seja efectuada pelos nossos Serviços Técnicos.

Antes da alteração, desligar a ficha da tomada ou os fusíveis.

**Atenção! Deitar, cuidadosamente, o sobre a parte de trás.**

A montagem deve ser feita na sequência dos números.

1. Mudança do puxador da porta.

**Fig. 1/B**

2. Alteração do sentido de abertura da porta. **Fig. 1/A**

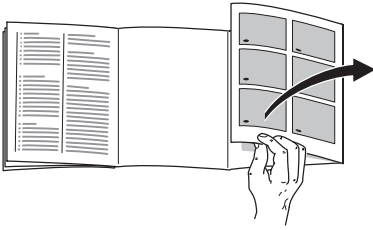
## Alinhar o aparelho

**Fig. 3**

Colocar o aparelho no local previsto e alinhá-lo.

Para ajustar os pés roscados, utilizar uma chave de parafusos.

## Familiarização com o aparelho



Favor desdobrar a última página com as ilustrações. Estas instruções de serviço aplicam-se a vários modelos.

São, por isso, possíveis diferenças nas imagens.

## Exemplo de um equipamento

### Fig. 2

(não existente em todos os modelos)

- 1-4 Painel de comando
- 5 Selector de temperatura da zona de refrigeração
- 6 Preparador de gelo
- 7 Depósito de cubos de gelo
- 8 Interruptor da luz
- 9 Gaveta de 0 °C (Compartimento 'Chiller')
- 10 Abertura de ventilação
- 11 Iluminação interior
- 12 Prateleiras na zona de refrigeração
- 13 Gaveta para fruta e legumes

- 14 Pés roscados
- 15 Suporte para ovos
- 16 Prateleira para bisnagas e caixas pequenas
- 17 Prateleira para garrafas grandes

## Painel de comandos

### Fig. 2

- 1 Tecla ligar/desligar
- 2 Tecla de regulação de temperatura da zona de congelação

Regulável entre  $-16\text{ °C}$  e  $-24\text{ °C}$ .

Premir a tecla tantas vezes, até que se acenda a lâmpada da temperatura pretendida. O valor regulado em último lugar fica memorizado.

- 3 Indicador luminoso de temperatura da zona de congelação

Os dígitos junto dos indicadores luminosos de temperatura mostram a temperatura em  $^{\circ}\text{C}$ .

A lâmpada iluminada mostra a temperatura regulada.

- 4 Tecla Supercongelação

Serve para ligar e desligar a super-congelação.

A lâmpada iluminada indica o funcionamento da super-refrigeração.

## Dar atenção à temperatura ambiente e à ventilação

A classe climática encontra-se na chapa de características. Ela indica a amplitude de temperaturas ambiente, em que o aparelho pode funcionar.

Classe Climática	Temperatura ambiente permitida
SN	+10 °C até 32 °C
N	+16 °C até 32 °C
ST	+18 °C até 38 °C
T	+18 °C até 43 °C

## Ventilação

### Fig. 4

O ar na parte de trás do aparelho é aquecido. O ar aquecido tem que poder ser expelido sem impedimentos.

De contrário, a máquina de frio tem que trabalhar mais. Isto aumentará o consumo de energia.

Por isso: Não tapar nem obstruir as aberturas de ventilação!

## Ligar o aparelho

Depois da instalação do aparelho, deverá aguardar pelo menos. ½ hora, antes de pôr o aparelho em funcionamento. Durante o transporte, pode acontecer que o óleo existente no compressor se tenha infiltrado no sistema de frio.

Antes da primeira utilização, limpar bem o interior do aparelho (ver «Capítulo Limpeza»).

A tomada deve ficar em local facilmente acessível.

Ligar o aparelho à corrente alterna 220–240 V/50 Hz, através de uma tomada instalada segundo as normas. A tomada deve estar protegida com um fusível de 10 A ou superior.

**No caso de aparelhos destinados a funcionar em países não europeus, há que verificar na chapa de características, se a tensão indicada e o tipo de corrente coincidem com os valores da corrente eléctrica da sua residência. A chapa de características encontra-se no interior do aparelho, no lado esquerdo, em baixo. Uma eventual necessidade substituição do cabo de alimentação de rede, só pode ser efectuada por um técnico especializado.**

### Aviso!

Em caso algum, deverá o aparelho ser ligado a uma ficha electrónica de poupança de energia e a um ondulador, que converta a corrente contínua em corrente alterna de 230 V (por ex. Sistema Solar, corrente de bordo de navios).

## Ligar o aparelho

Premir a tecla de ligar/desligar **Fig. 2/1**. O aparelho começa a refrigerar.

A iluminação no interior da zona de refrigeração acende ao abrir-se a porta.

De fábrica, o aparelho vem com uma regulação base de:

Zona de refrigeração: +4 °C

Zona de congelação: -18 °C

## Indicações sobre funcionamento

- Graças ao sistema Nofrost totalmente automático, não há formação de gelo nas zonas de congelação e de refrigeração. Deixa, assim, de ser necessária a sua descongelação.
- As áreas frontais do exterior do aparelho ficam parcial e ligeiramente aquecidas, o que impede a formação de condensação na zona do vedante da porta.
- As portas do aparelho têm dois ângulos de aberturas diferentes.

Quando se abre uma porta do frigorífico, pode acontecer que a segunda porta se mova ligeiramente. Isto é tecnicamente condicionado e não necessita de se preocupar com isso.

- Se, depois de fechar a zona de congelação, não puder de imediato abrir a porta, deverá aguardar dois a três minutos até que seja compensado o vácuo formado.

## Regular a temperatura

### Zona de refrigeração

Rodar o selector de temperatura **Fig. 2/5** para uma regulação.

Uma regulação maior provoca uma temperatura mais baixa na zona de refrigeração.

Recomendamos:

- Para uma conservação de alimentos a longo prazo: Regulação numa temperatura **média**.
- Regulação apenas temporária para uma temperatura **mais alta**: Abertura frequente da porta, colocação de grande quantidade de alimentos na zona de refrigeração.

No caso de alimentos sensíveis, recomendamos a sua conservação com uma temperatura não superior a + 4 °C.

Com um ajuste médio do regulador, atinge-se cerca de + 4 °C.

### Zona de congelação

Os valores regulados podem ser alterados, para isso ver descrição do painel de comandos:

## Arrumação dos alimentos

Na arrumação dos alimentos, há que observar o seguinte:

- Os alimentos devem ser bem embalados ou tapados. Deste modo, conservarão o aroma, a cor e a frescura. Além disso, não haverá transmissão de sabores-nem alteração da cor das peças de plástico.
- Deixar arrefecer alimentos e bebidas, antes de os arrumar no aparelho.
- Não bloquear as aberturas de ventilação na zona de refrigeração com alimentos, para não prejudicar a circulação de ar.

Alimentos colocados à frente das aberturas de ventilação podem congelar devido à saída de ar frio.

**Recomendamos a arrumação dos alimentos da seguinte maneira:**

- **Na zona de congelação:** Alimentos ultracongelados, cubos de gelo, gelados, etc.
- **Nas prateleiras** da zona de refrigeração (de cima para baixo): Bolos, refeições prontas, lacticínios, carne e charcutaria.
- **Na gaveta de legumes:** legumes, saladas, fruta.
- Na **porta** (de cima para baixo): Manteiga, queijo, ovos, bisnagas, frascos, garrafas, leite, pacotes de sumo.

## Capacidade útil

As indicações sobre capacidade útil estão indicadas na placa de características do seu aparelho.

## Equipamento

(não existente em todos os modelos)

### Gaveta de 0 °C (Compartimento 'Chiller')

**Fig. 5**

Puxando a base da gaveta para a frente, a portinhola abre-se.

No compartimento 'Chiller' predominam temperaturas mais baixas do que na zona de refrigeração. Podem surgir, também, temperaturas inferiores a 0 °C.

Ideal para a conservação de peixe, carne e charcutaria. Não apropriado para saladas e legumes, bem como para produtos sensíveis ao frio.

### Prateleiras para garrafas

**Fig. 6**

Na prateleira para garrafas, podem ser arrumadas garrafas com segurança. A fixação é variável.

---

# Congelação de alimentos frescos

## Congelação de alimentos

Para a congelação de alimentos, utilizar apenas produtos frescos e em bom estado.

### **Alimentos adequados para congelação:**

Derivados de carne e de salsichas, aves e caça, peixe, legumes, ervas aromáticas, fruta, produtos de pasteleria, pizzas, comida pronta, restos de comida, gemas e claras de ovos.

### **Alimentos não adequados para congelação:**

Ovos inteiros com casca, natas azedas e maionese, saladas de folha, rabanetes, rábanos e cebolas.

### **Branqueamento de legumes e fruta**

Para que conservem cor, sabor, aroma e vitamina «C», os legumes e a fruta devem ser branqueados, antes de se proceder à sua congelação.

O branqueamento consiste em mergulhar, por breves instantes, os legumes e a fruta em água a ferver. No mercado livreiro poderá encontrar literatura sobre congelação, onde é descrito também o processo de branqueamento.

## Embalar os alimentos

1. Introduzir os alimentos na embalagem.
2. Retirar o ar completamente.
3. Fechar a embalagem hermeticamente.
4. Identificar o conteúdo da embalagem e a data de congelação.

### **Material não adequado para embalagem:**

Papel de embrulho, papel de pergaminho, celofane, sacos do lixo, sacos de compras usados.

### **Material adequado para embalagem:**

Película de plástico, manga de polietileno, folha de alumínio, caixas próprias para congelação.

Estes produtos encontram-se à venda no comércio da especialidade.

### **Produtos próprios para fechar a embalagem:**

Elásticos, clips de plástico, fios, fita adesiva resistente ao frio, entre outros. Poderá fechar os sacos e as mangas de polietileno com um aparelho próprio para fechar sacos.

## Congelação e conservação

### Compra de alimentos ultracongelados

- Verificar, se a embalagem não está danificada.
- Verificar a data de validade.
- A temperatura da arca congeladora da loja deve ser inferior a  $-18^{\circ}\text{C}$ . Se isso não se verificar, o prazo de validade dos alimentos congelados fica reduzido.
- Se possível, transportar os alimentos ultracongelados num saco térmico e arrumá-los rapidamente na zona de congelação.

### Conservação de alimentos congelados

Se tiverem que ser colocados muitos alimentos, poderá retirar a portinhola da zona superior da gaveta de congelação e a prateleira intermédia.

Para que não seja prejudicada a circulação de ar dentro do aparelho, não deverá empilhar os alimentos para além da marca limite.

### Preparação de cubos de gelo

#### Fig. 7

Encher a cuvette com  $\frac{3}{4}$  de água e colocá-la na base da zona de congelação. Se a cuvette estiver agarrada, utilizar apenas um objecto rombo para a soltar (cabo de uma colher).

Para soltar os cubos de gelo, colocar a cuvette sob água corrente e trocê-la ligeiramente.

### Preparador de gelo

(não existente em todos os modelos)

#### Fig. 8

1. Retirar a cuvette, enchê-la com água até  $\frac{3}{4}$  e voltar a colocá-la.
2. Quando os cubos de gelo estiverem congelados, girar várias vezes o manípulo da cuvette para a direita e, depois, soltá-lo.  
Os cubos de gelo soltam-se e caem na caixa para cubos de gelo.
3. Retirar cubos de gelo da respectiva caixa.

## Supercongelação

Se já estiverem alimentos na zona de congelação, a «supercongelação» deve ser activada algumas horas antes da colocação de alimentos frescos. Em geral, são suficientes 4 a 6 horas antes.

Se tiver que ser utilizada a capacidade máxima de congelação, são necessárias 24 horas. Pequenas quantidades de alimentos (até 2 kg) podem ser congeladas, sem supercongelação.

Para activação da supercongelação, premir a respectiva tecla **Fig. 2/4**.

A supercongelação desliga automaticamente, o mais tardar, após  $2\frac{1}{2}$  dias.



## Máx. Capacidade de congelação

Os alimentos devem, o mais rapidamente possível, ser congelados até ao seu núcleo. Só assim se conservam as vitaminas, o valor nutritivo, o aspecto e o sabor. Não ultrapassar, por isso, a capacidade máxima de congelação do seu aparelho.

## Capacidade de congelação

Os dados sobre a capacidade máxima de congelação em 24 horas podem ser encontrados na chapa de características.

## Descongelação dos alimentos

Dependendo do tipo e da fim a que se destina o alimento, podem ser escolhidas as seguintes possibilidades:

- à temperatura ambiente,
- no frigorífico,
- no forno eléctrico, com/sem ventilação de ar quente,
- no micro-ondas.

### Nota

Não voltar a congelar alimentos descongelados ou que iniciaram a descongelação. Só depois de cozinhados, é que estes alimentos podem voltar a ser congelados.

Não utilizar mais o prazo máximo de conservação dos alimentos.

## Desligar e desactivar o aparelho

### Desligar o aparelho

Premir a tecla de ligar/desligar Fig. 2/1.

### Desactivar o aparelho

Se o aparelho não for utilizado por um longo período de tempo:

1. Desligar a ficha da tomada.
2. Limpar o aparelho.
3. Deixar a porta do aparelho aberta.

## Limpeza do aparelho

1. Desligar a ficha da tomada ou os fusíveis!
2. Limpar o vedante da porta só com água limpa e depois secar bem.
3. Limpar o aparelho com água morna e um pouco de detergente suave.
4. Depois da limpeza: Ligar novamente o aparelho e colocá-lo em funcionamento.

## Atenção!

Não utilizar produtos de limpeza abrasivos ou que contenham ácidos e nem mesmo diluentes.

A água da limpeza não deve infiltrar-se

- nas ranhuras na parte frontal da base da zona de congelação,
- no painel de comandos/no selector de temperatura,
- e na iluminação.

Não lavar prateleiras nem recipientes na máquina de lavar loiça. As peças podem ficar deformadas.

## Como poupar energia

- Instalar o aparelho num local seco e arejado; nem sob a acção directa dos raios solares e nem próximo de uma fonte de calor (por ex. aquecedor, fogão). Se for inevitável, utilizar uma placa isoladora.
- Deixar as bebidas quentes arrefecerem fora do aparelho.
- Colocar os alimentos a descongelar na zona de refrigeração. Aproveitar o frio dos alimentos congelados para refrigeração dos alimentos na zona de refrigeração.
- Abrir a porta do aparelho o mínimo tempo possível!
- A parte de trás do aparelho deve ser limpa simplesmente com um aspirador ou com um pincel, para evitar o aumento do consumo de energia.

## Ruídos de funcionamento

### Ruídos absolutamente normais

**Zumbido** – o agregado de refrigeração está a trabalhar.

**Borbulhar, gorgolejar ou vibração** – o agente refrigerador circula nas tubagens.

**Clic** – audível quando o motor liga e desliga.

**Estalos** – está em curso a descongelação automática.

### Ruídos de fácil eliminação

#### O aparelho está desnivelado

O aparelho deve ser nivelado com a ajuda de um nível de bolha de ar. Utilizar, para isso, os pés roscados ou colocar qualquer coisa por baixo.

#### O aparelho está encostado.

Favor afastar o aparelho dos móveis ou aparelhos vizinhos.

#### Gavetas, cestos ou prateleiras abanam ou estão encravados.

Verificar as peças removíveis e voltar a colocá-las no lugar.

#### Garrafas ou outros recipientes tocam-se

Afastar, ligeiramente, as garrafas e recipientes uns dos outros. Favor afastar as garrafas ou os recipientes uns dos outros.

## Eliminação de pequenas anomalias

### Antes de pedir a intervenção dos Serviços Técnicos:

Verifique se pode V. mesmo eliminar a anomalia, mediante as seguintes indicações. Não esqueça que tem pagar a deslocação do técnico, quando este se deslocar para dar instruções sobre o funcionamento dos aparelhos – mesmo durante o período de garantia!

Anomalia	Causa possível	Ajuda
<b>A iluminação não está a funcionar.</b>	A lâmpada incandescente está danificada.	Substituição da lâmpada de incandescência. <b>Fig. 9</b> <ol style="list-style-type: none"> <li>Retirar a ficha da tomada ou desligar os fusíveis.</li> <li>Mudar a lâmpada (lâmpada de substituição, corrente alterna máx 15W, 220–240 V, casquilho E14).</li> </ol>
	O interruptor da luz está preso. <b>Fig. 2/6</b>	Verificar, se o interruptor se move.
<b>A temperatura na zona de refrigeração está demasiado fria.</b>	Temperaturas mais frias na zona de congelação provocam também temperaturas mais frias na zona de refrigeração. Isto é condicionado pela técnica de frio.	Regular para um pouco mais quente a temperatura na zona de refrigeração.  Se isto não for suficiente, por ex. em caso de temperaturas ambiente demasiado frias, regular também uma temperatura mais quente na zona de congelação.
<b>Nenhuma indicação se ilumina.</b>	Falha de energia; os fusíveis dispararam; a ficha não está bem ligada na tomada.	Verificar, se há corrente, os fusíveis devem estar ligados.
<b>A temperatura na zona de congelação está demasiado quente.</b>	<ul style="list-style-type: none"> <li>A porta da zona de congelação está aberta.</li> <li>As aberturas de ventilação estão tapadas.</li> <li>Foram colocados demasiados alimentos de uma só vez, para congelação.</li> </ul>	<p>Fechar a porta.</p> <p>Verificar a ventilação.</p> <p>Não ultrapassar a capacidade máxima de congelação.</p>

Anomalia	Causa possível	Ajuda
A porta do congelador esteve aberta durante muito tempo. A temperatura não é atingida.	O evaporador (gerador de frio) no sistema «NO-FROST» tem muito gelo acumulado, o que não permite a descongelação automática.	<p>Para descongelar o evaporador, retirar os alimentos congelados com as gavetas e guardá-los bem isolados num local fresco.</p> <p>Desligar o aparelho e afastá-lo da parede. Deixar a porta do aparelho aberta.</p> <p>Passados ca de 20 minutos, a água da descongelação começa a correr para a taça de evaporação, na parte de trás do aparelho. Para se evitar um derrame para fora da taça de evaporação, recolher a água da descongelação com uma esponja.</p> <p>E se já não correr água da descongelação para a tina de evaporação, isso significa que o evaporador está descongelado. Limpar o interior do aparelho. Voltar a colocar o aparelho em funcionamento.</p>

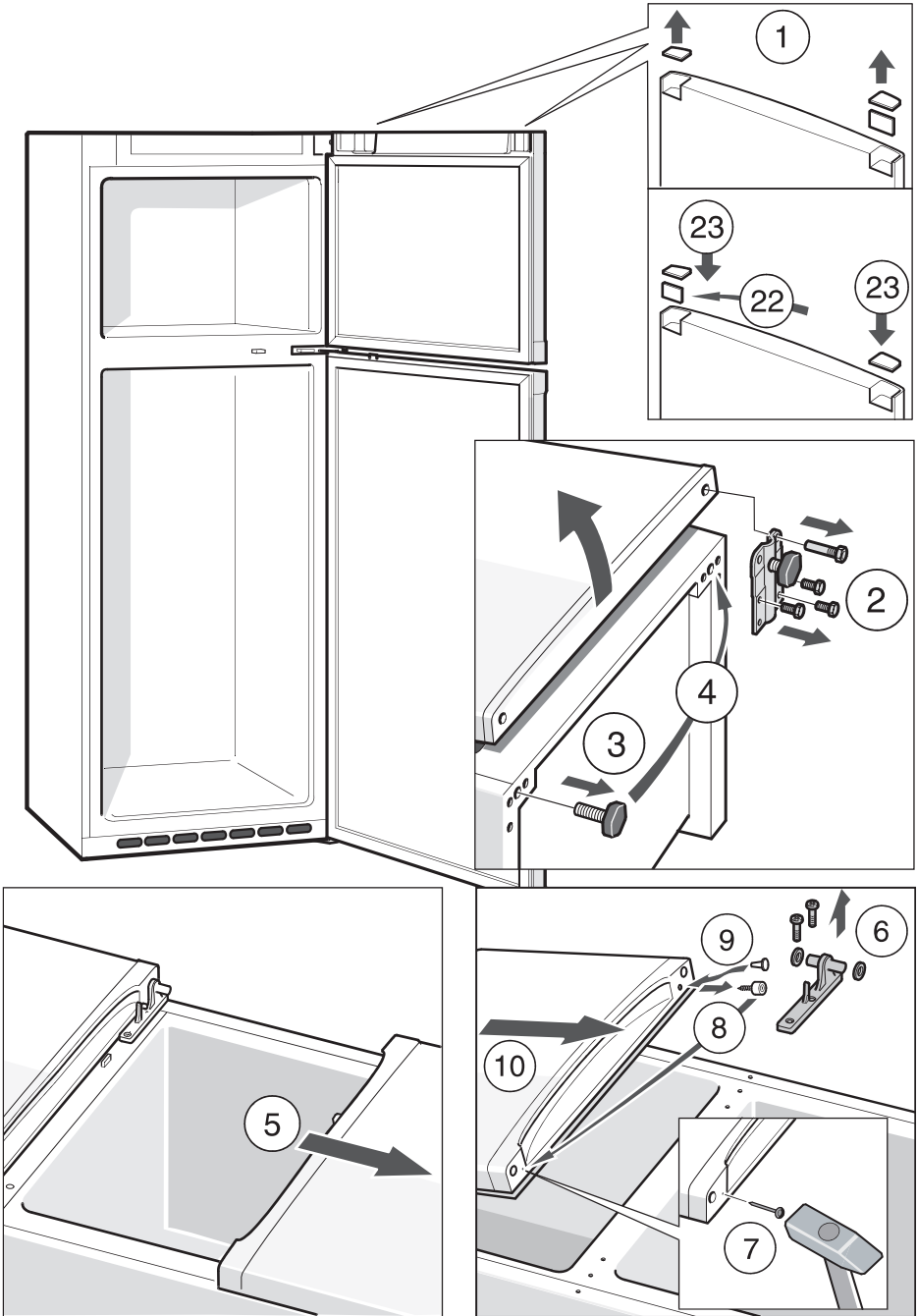
## Assistência Técnica

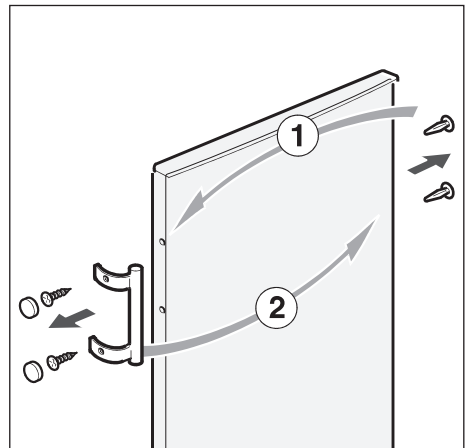
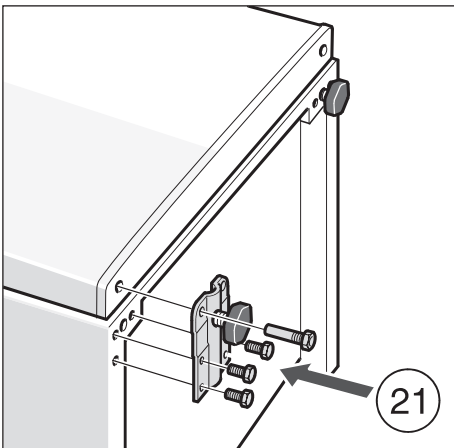
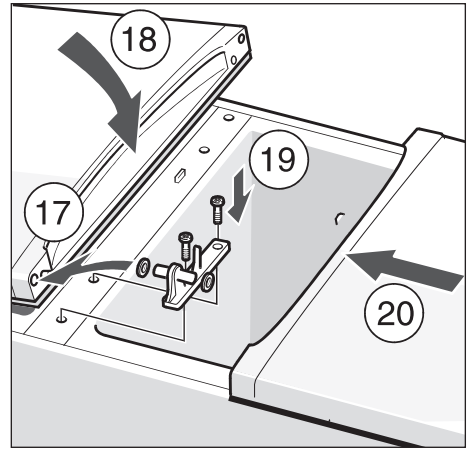
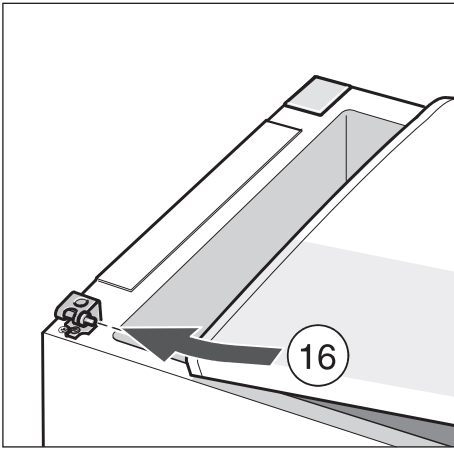
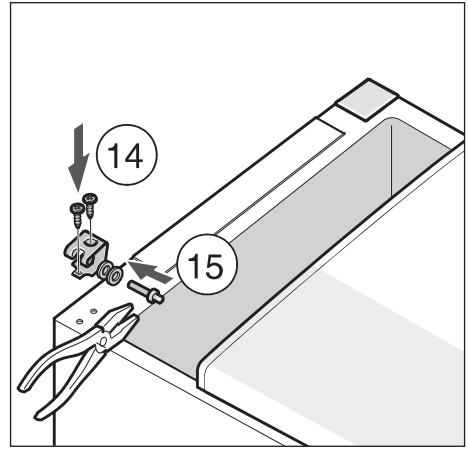
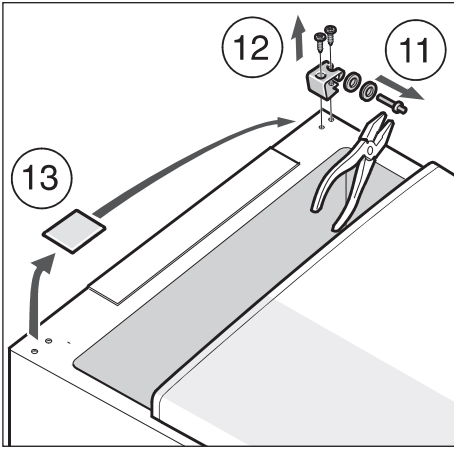
Na lista telefónica ou no índice de Postos de Assistência que acompanha o aparelho, encontrará o Posto de Assistência Técnica da sua zona de residência.

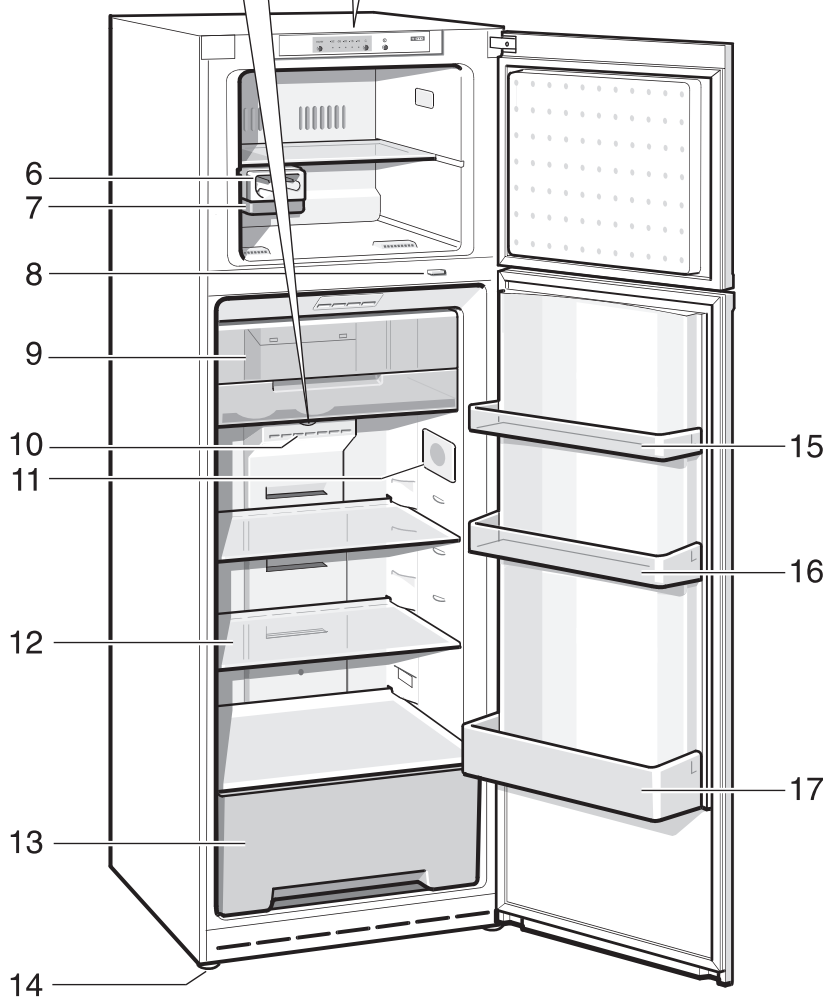
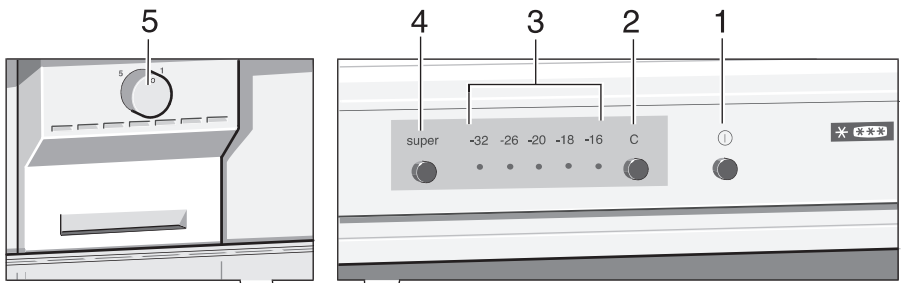
Por favor, indique aos Serviços Técnicos o número de produto (E-Nr.) e o número de fabrico (FD) do seu aparelho.

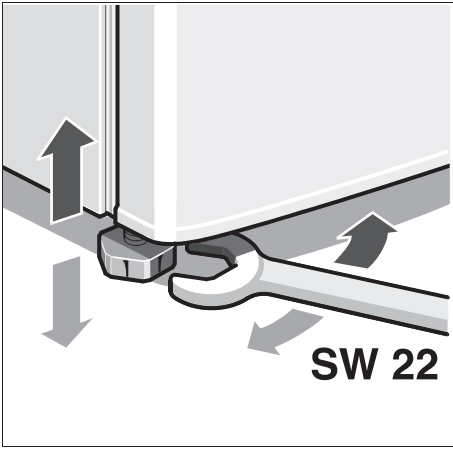
Pode encontrar estas indicações na chapa de características. **Fig. 10**

Indicando o nr. de produto e o nr. de fabrico, contribui para se evitarem deslocações desnecessárias. Economizará, assim, custos suplementares acrescidos.

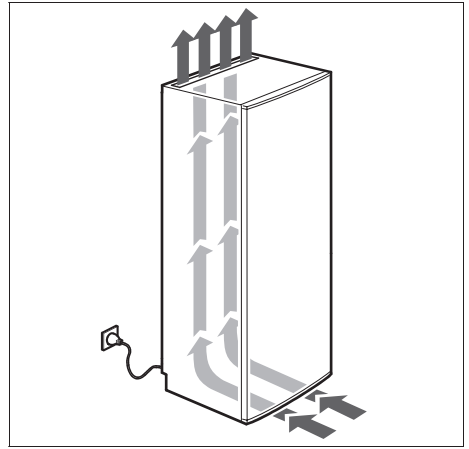




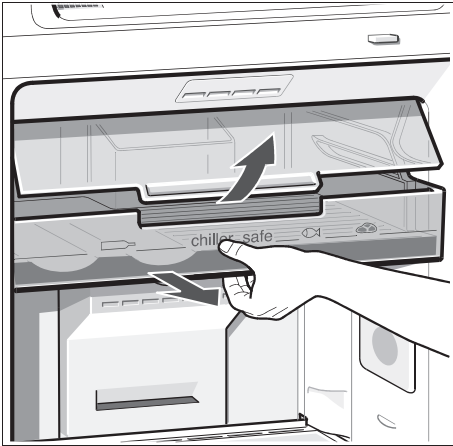




3



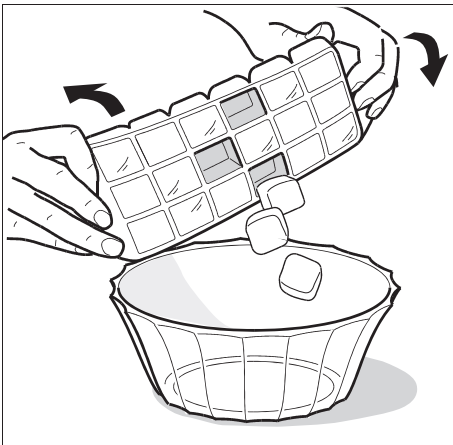
4



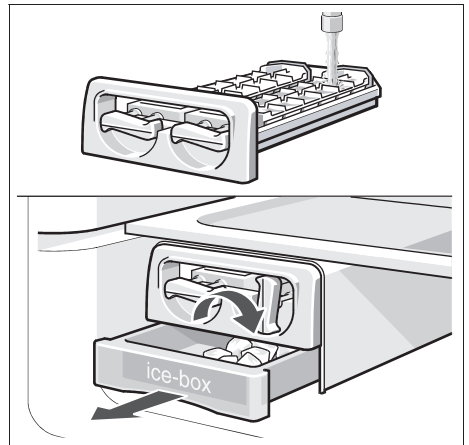
5



6

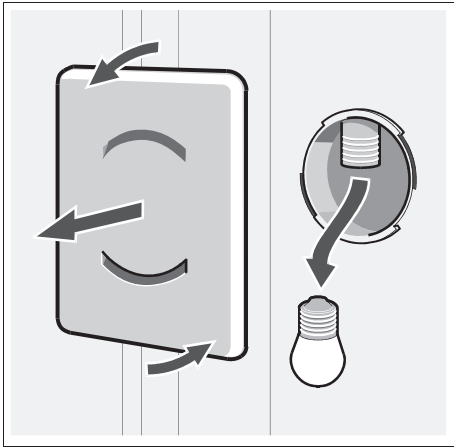


7

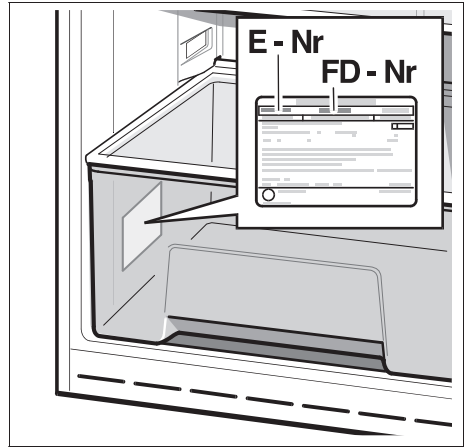


8





9



10

BSH ELECTRODOMÉSTICOS, S.A.  
C/Itoa, nº1  
31620 Huarte  
Pamplona (NAVARRA)  
A-28-893550

9000 149 752 (8604) en/fr/es/pt