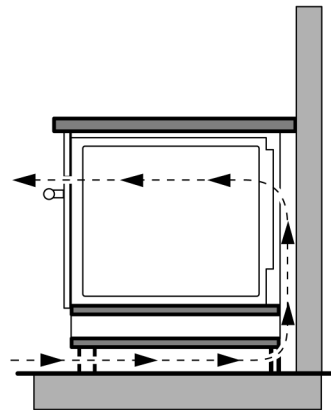
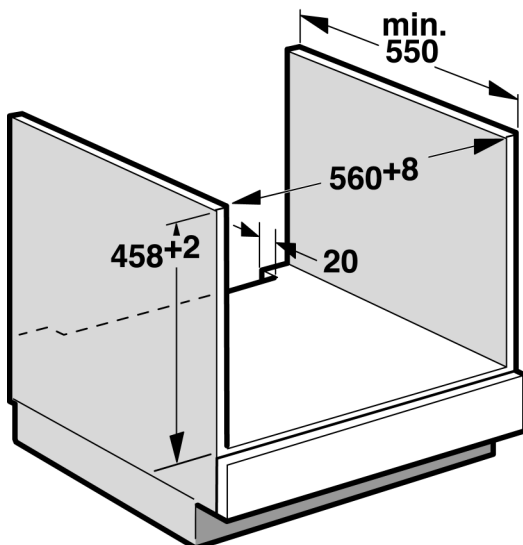
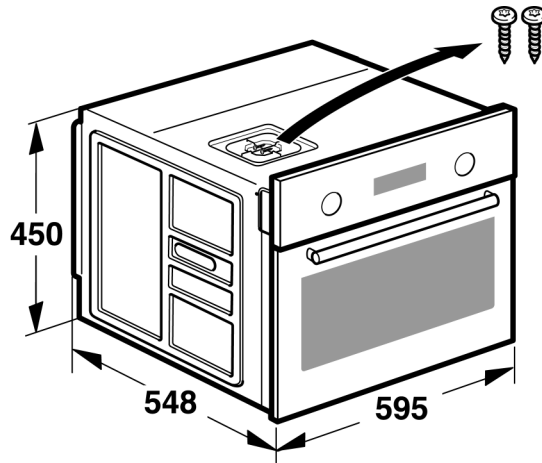
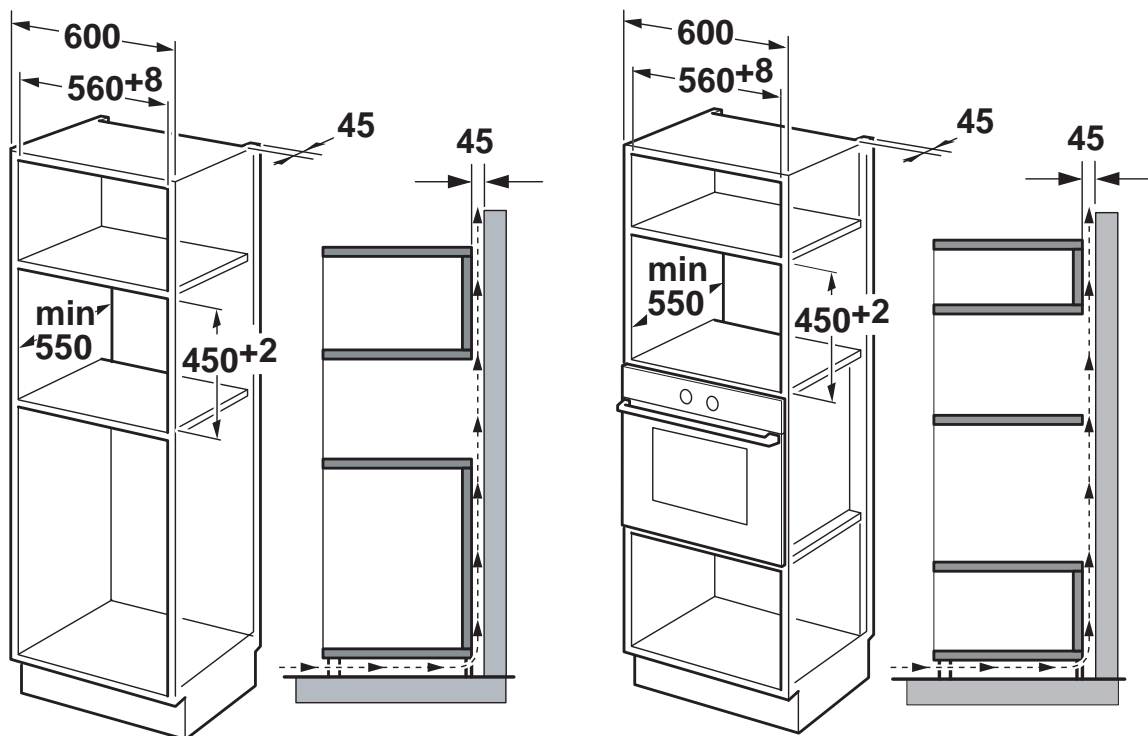


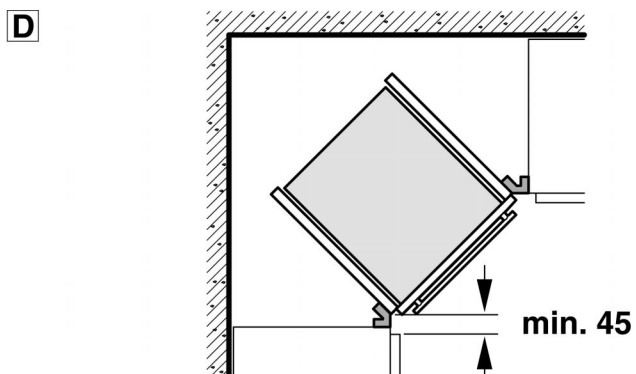
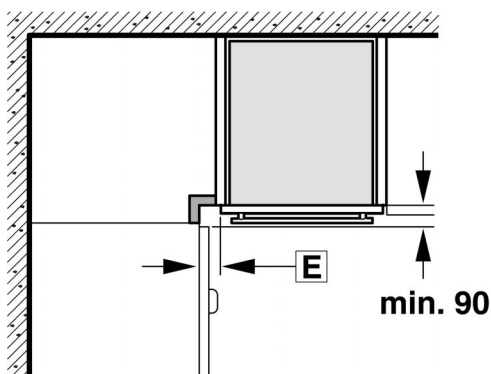
1



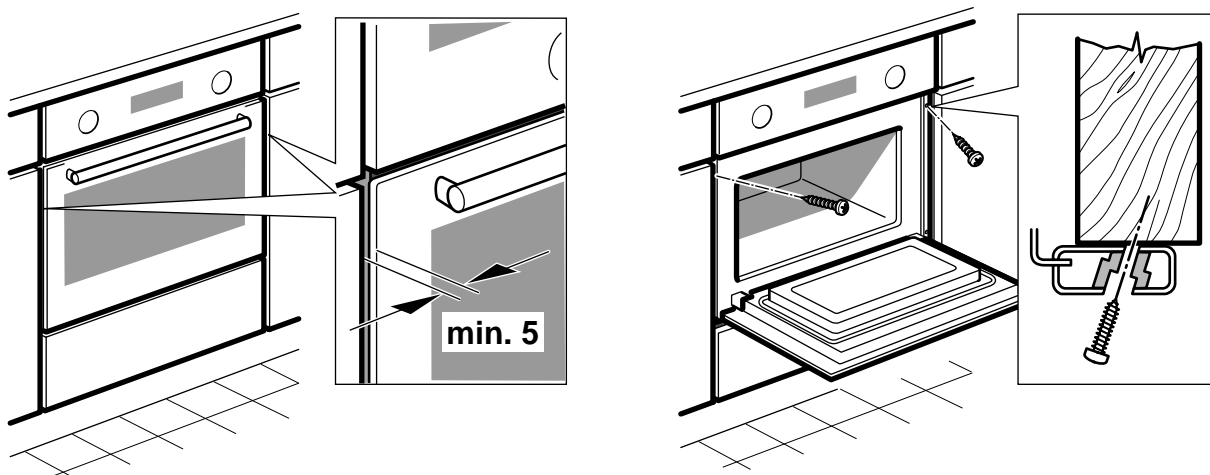
2



3



4



Please note:

Electrical connection

The appliance is fitted with a plug and must only be connected to a properly installed earthed socket. The socket must only be installed and the connecting cable must only be replaced by a qualified electrician, and in accordance with the appropriate regulations.

If the plug is no longer accessible following installation, an all-pin isolating switch must be present on the installation side with a contact gap of at least 3 mm. Contact protection must be guaranteed by the installation.

Great Britain and Australia:

The appliance is designed for permanent connection to a 3-wire cable.

The appliance must only be connected by a qualified electrician in accordance with the wiring diagram attached to the connecting cable.

An all-pole disconnecting device must be present on the installation side with a contact gap of at least 3 mm in order to comply with current safety regulations.

In accordance with heating testing standards, the appliance corresponds to Safety Class "Y".

The wires in the mains lead are coloured in accordance with the following code:

Green and Yellow	Earth
Blue	Neutral
Brown	Live

Do not connect the appliance using a 13A plug or protect it with a 13A fuse.

Fitted units

The fitted cabinet must not have a rear wall behind the appliance. A distance of at least 45 mm must be maintained between the wall and the bottom of the cabinet or the back wall of the cabinet fitted above.

The fitted cabinet must have a ventilation opening of 50 cm² on the front. On surround cabinets without a ventilation cut-out in the rear area of the sidewalls, this must be 200 cm². Cut away the base panel or affix a ventilation grid for this purpose.

The ventilation slots and air intake points must not be covered.

The safe operation of this appliance can only be guaranteed if it has been installed in accordance with these installation instructions. The installer is liable for losses incurred as a result of incorrect installation.

Fitted units must be heat-resistant up to 90 °C, and adjacent unit fronts up to at least 70 °C.

Make all the cut-outs in the units and the work surface before fitting the appliances. Remove shavings as they can affect the function of electrical components.

Oven under the work surface – Fig. 1

There must be a ventilation cut-out made in the intermediate floor of the surround cabinet - see Fig. 1.



If the oven is being installed beneath a hob, observe the hob assembly instructions.

Appliance in the high cabinet – Fig. 2

The appliance must be installed above a fan-assisted oven made by the same manufacturer.

Installation above a refrigerator is possible.

Corner installation – Fig. 3

Take the measurement in Fig.  when installing the oven in a corner into consideration. Measurement  depends on the thickness of the front of the unit and the handle.

Securing the built-in oven – Fig. 4

- Insert the oven and align centrally.
- Do not kink the connection cable.
- Secure the oven with screws (4 x 25)
- The gap between the work surface and the oven must not be sealed by additional strips.

Removal

Disconnect the cooker from the power supply. Loosen the securing screws. Lift the cooker slightly and pull it out completely.