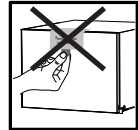
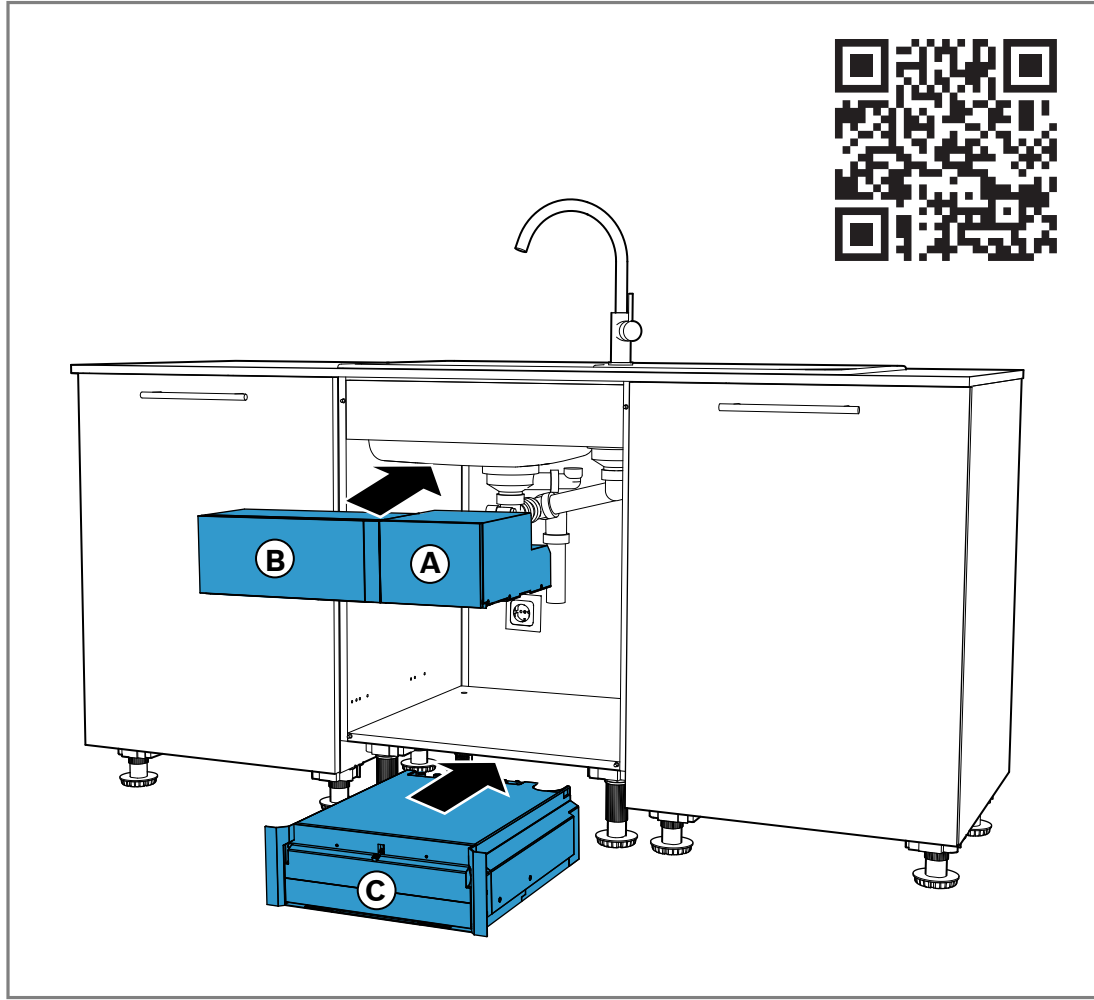


8001377079 (060120)

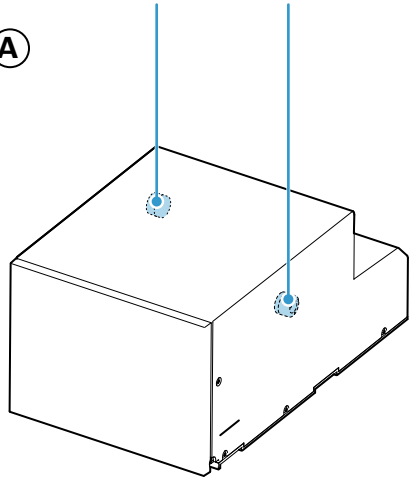


mm

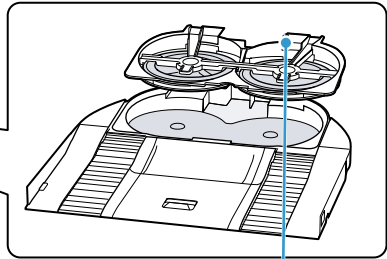
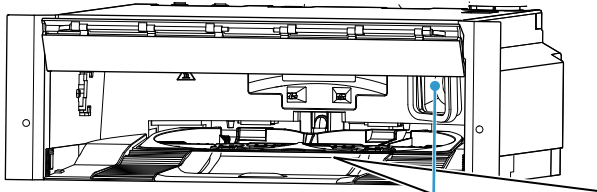


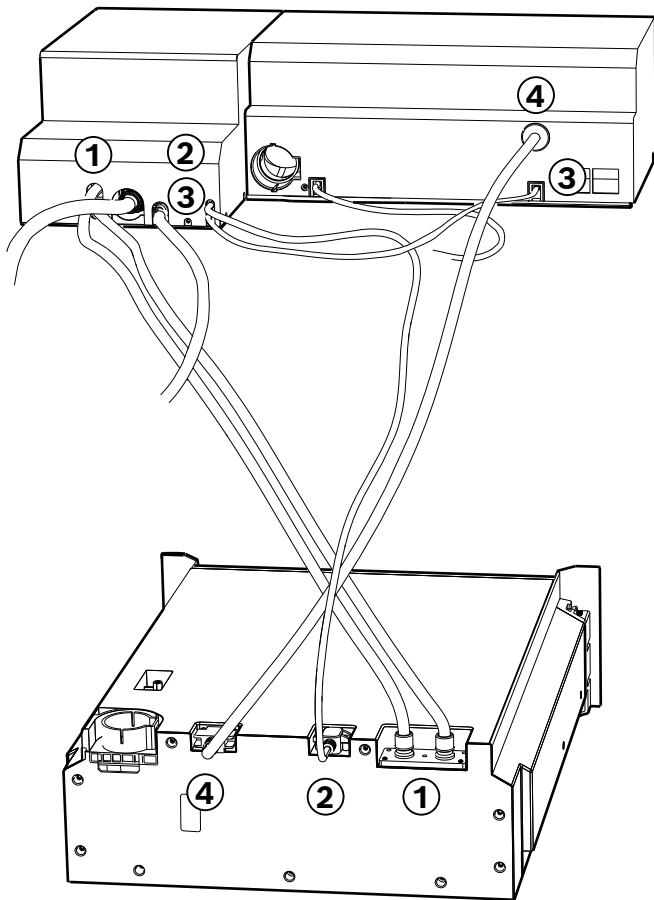
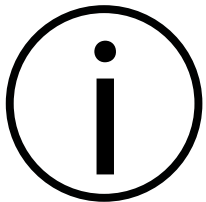


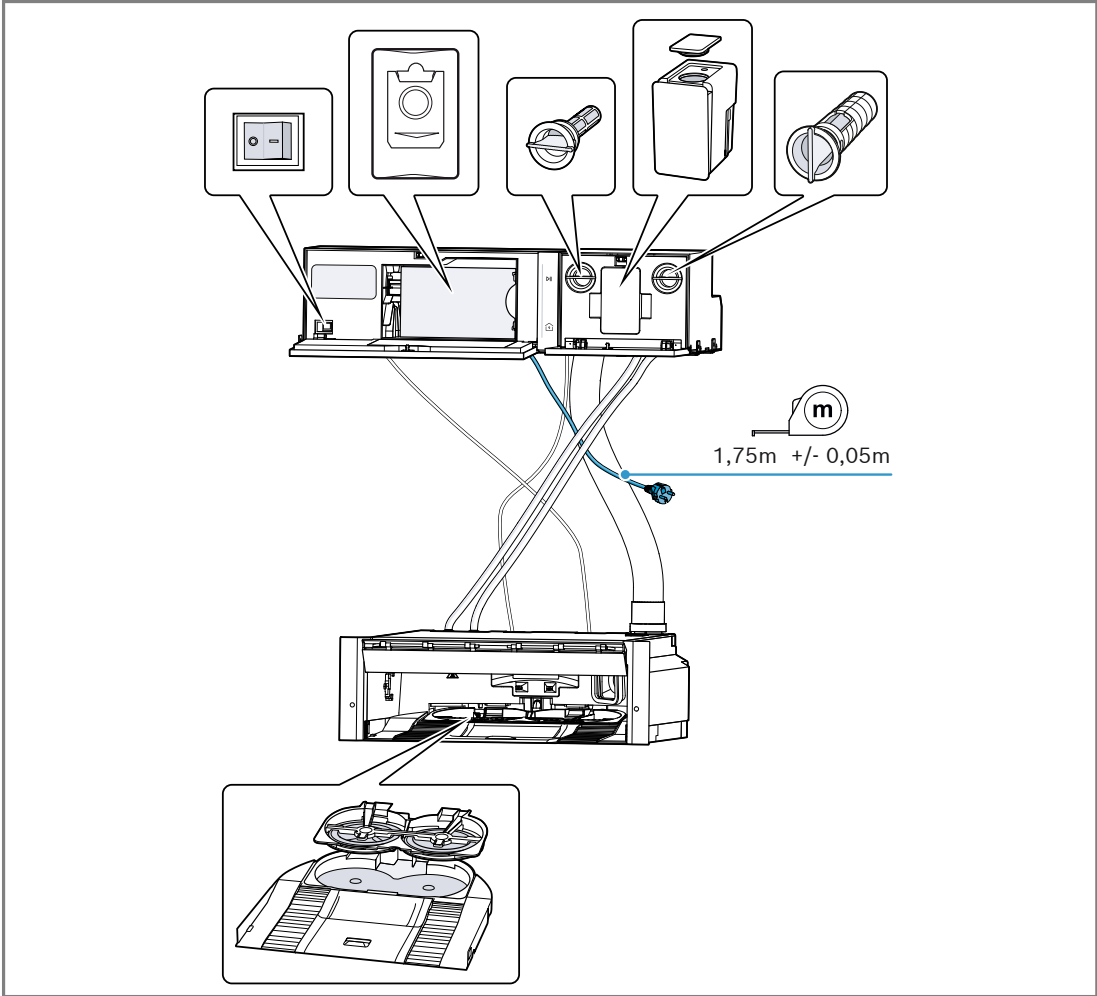
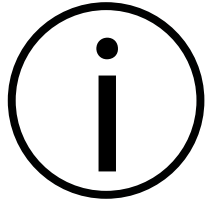
A

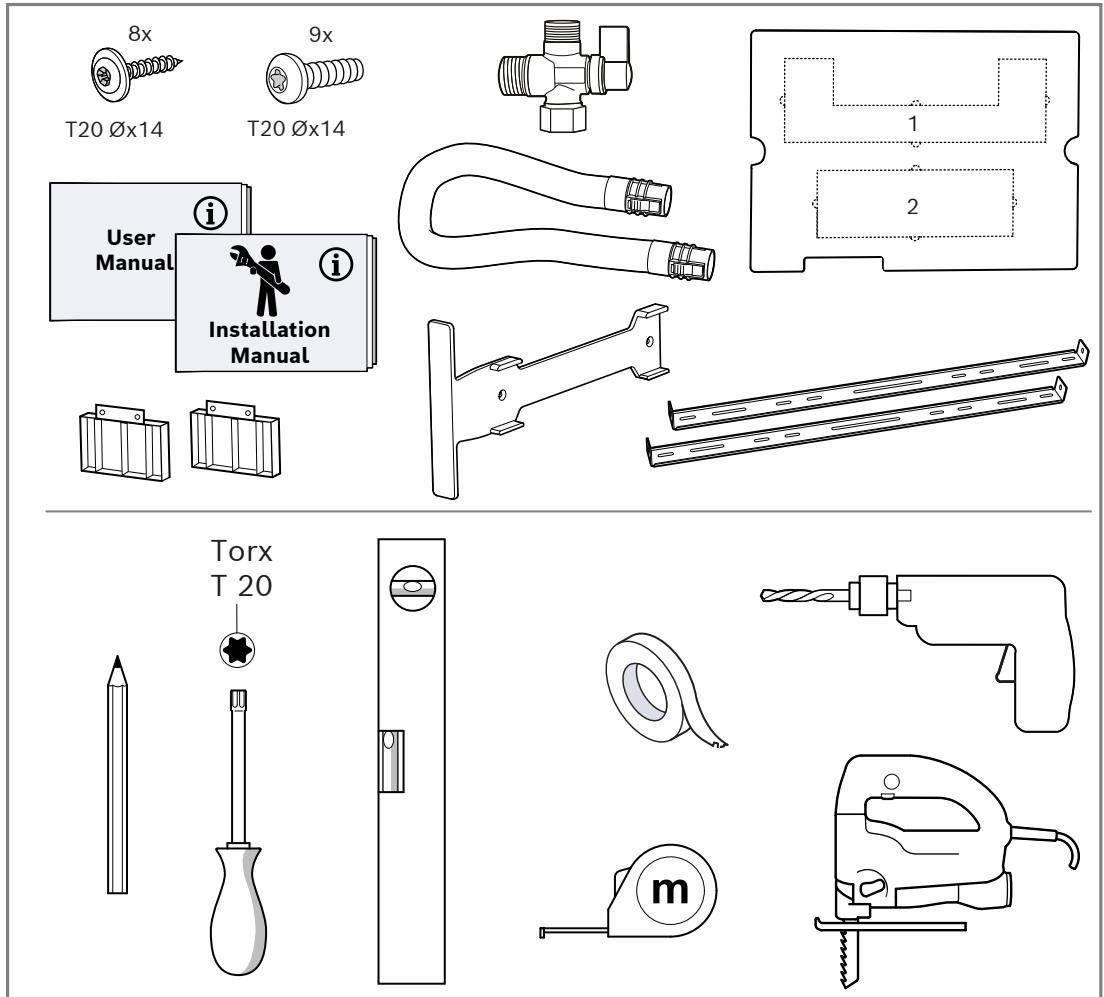
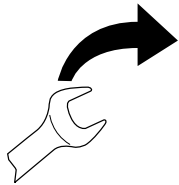
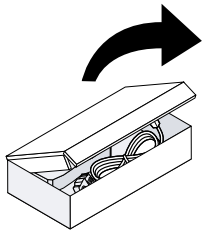


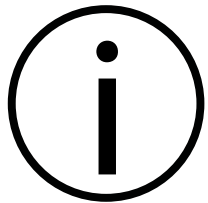
C







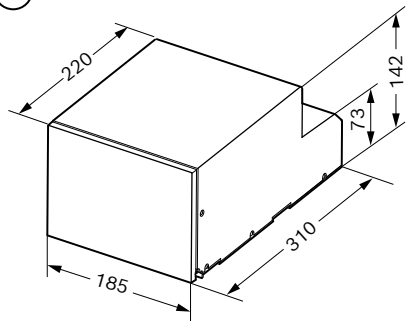




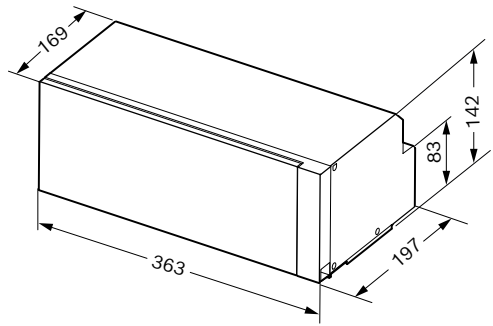
A
B
C



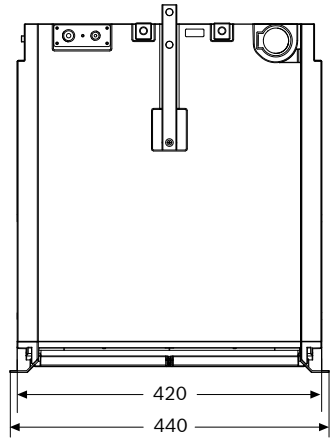
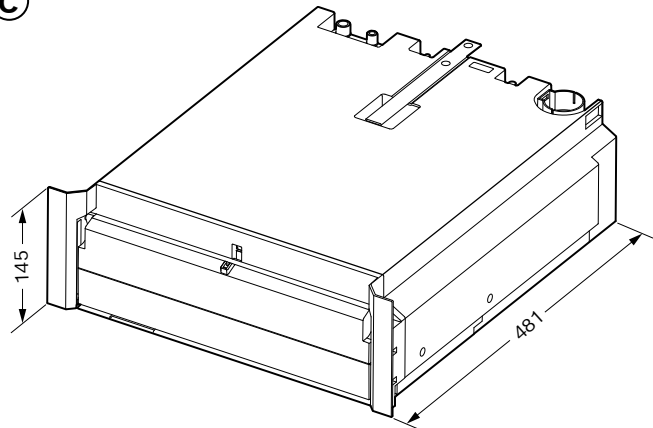
(A)

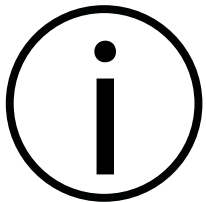


(B)

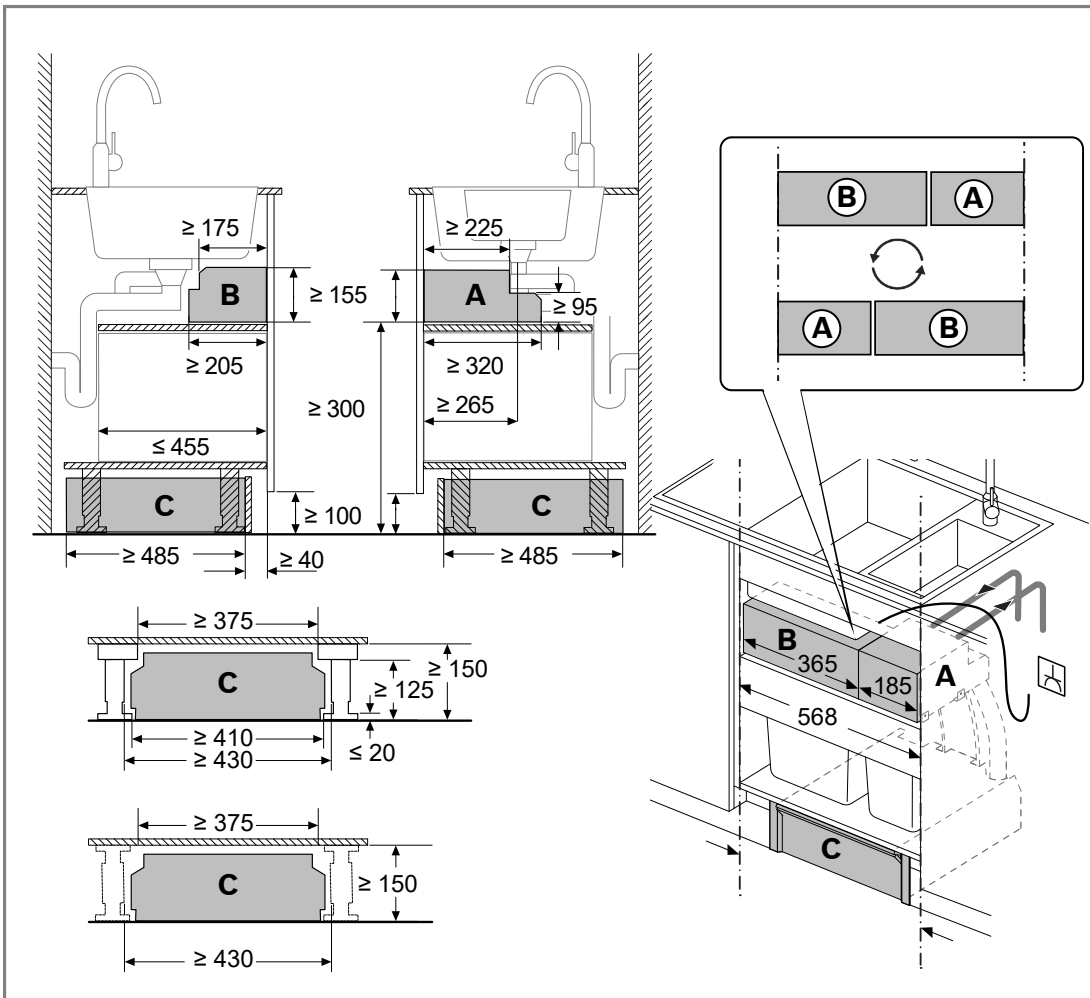
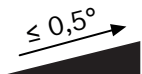


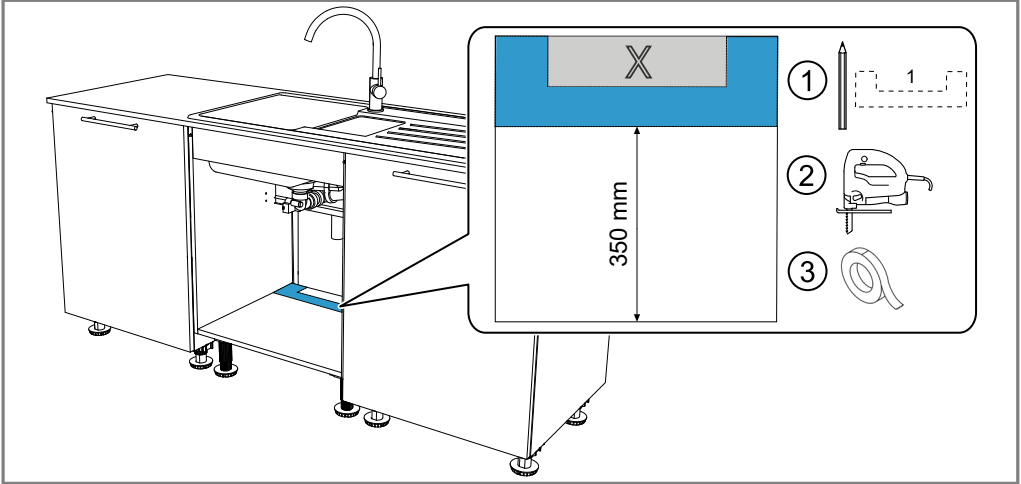
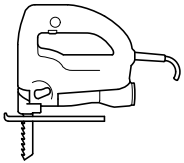
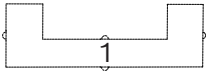
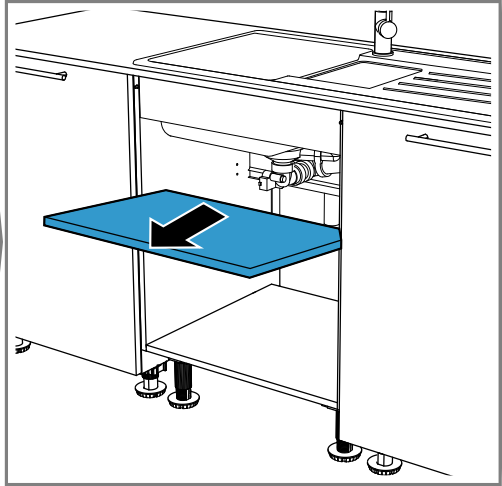
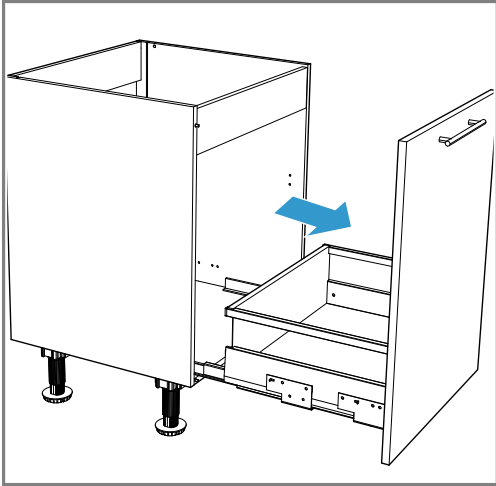
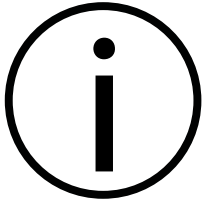
(C)

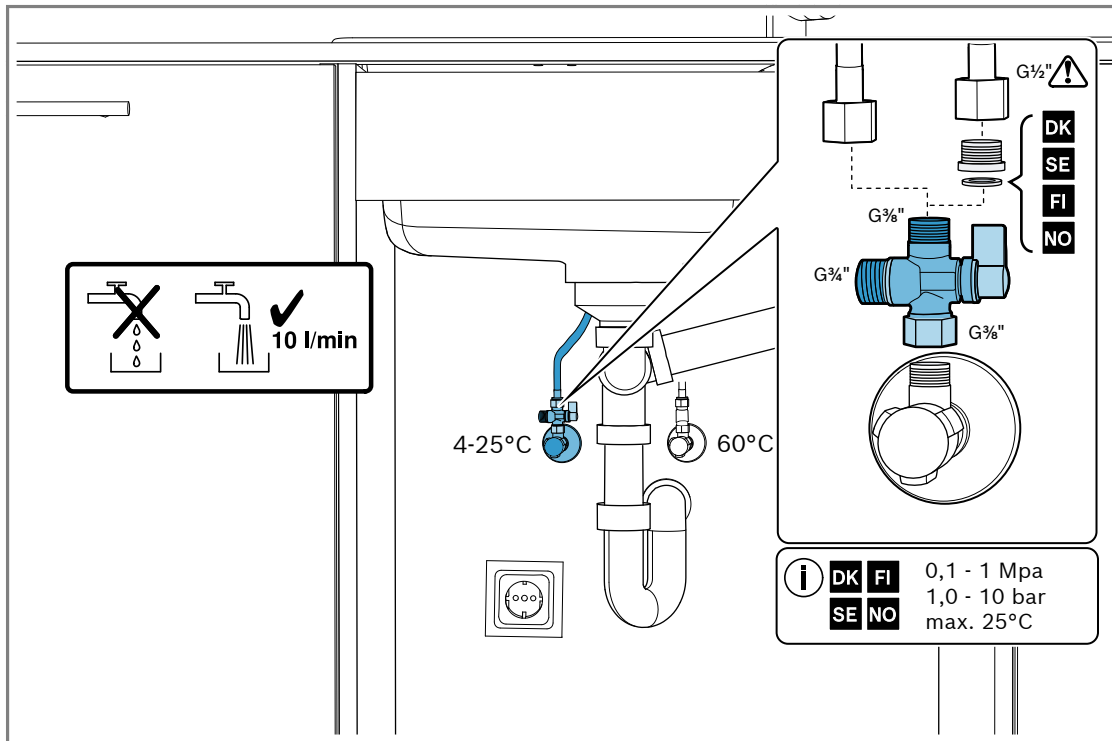
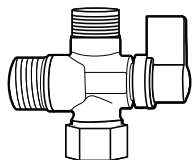
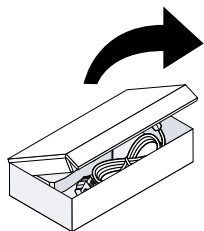
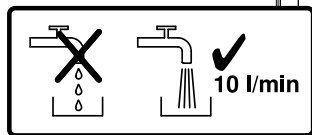
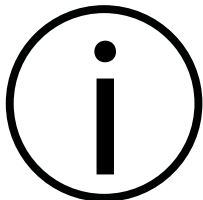




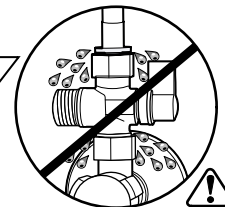
A
B
C

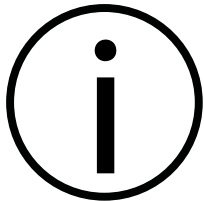




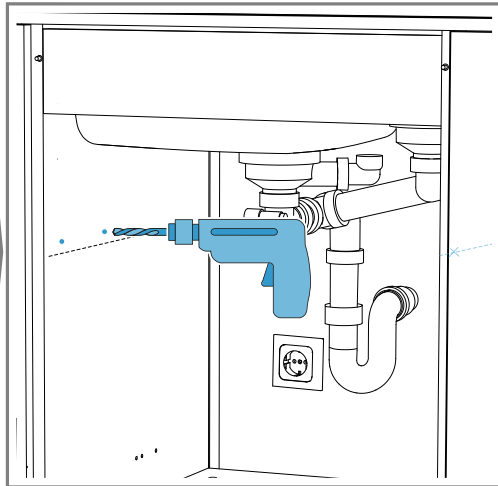
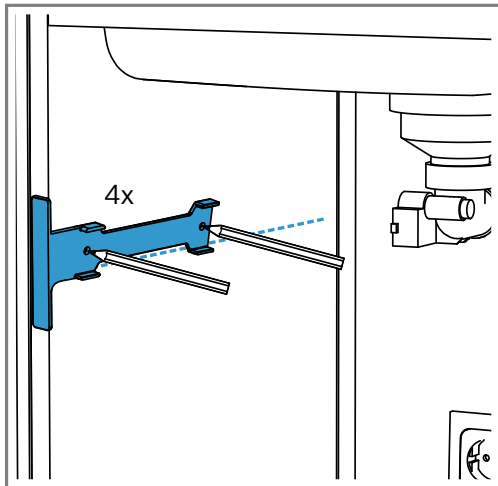
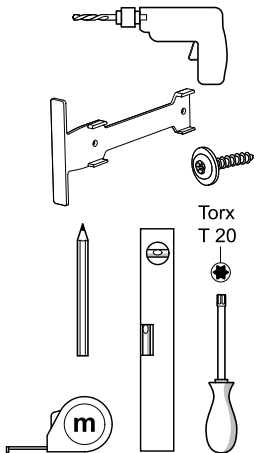
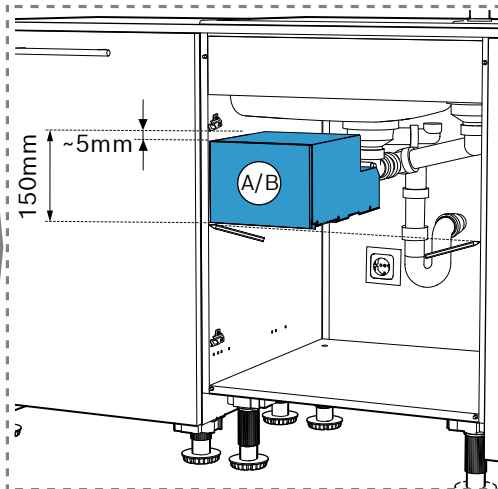
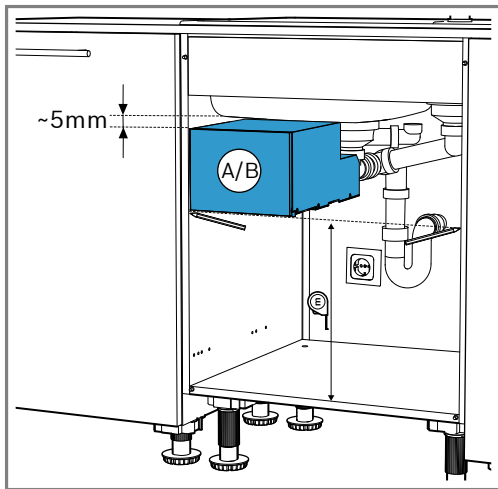


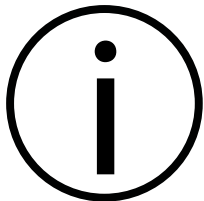
Dichtheit prüfen
Check for leaks
Verifiez l'étanchéité
Verificar la estanqueidad



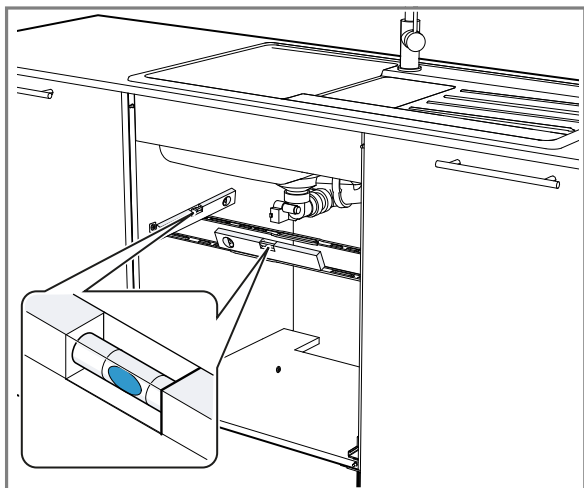
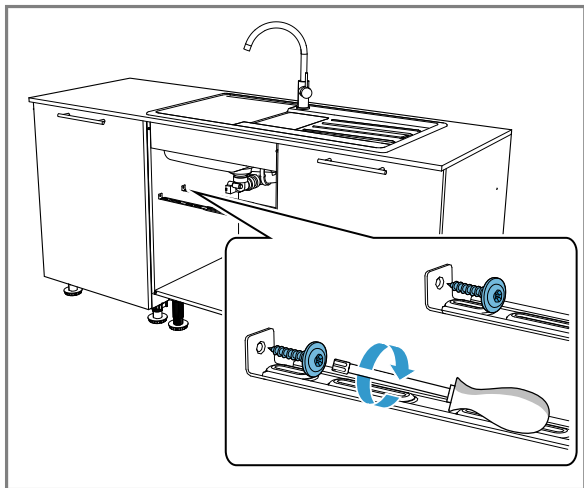


A



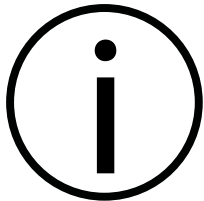


A



Torx
T 20

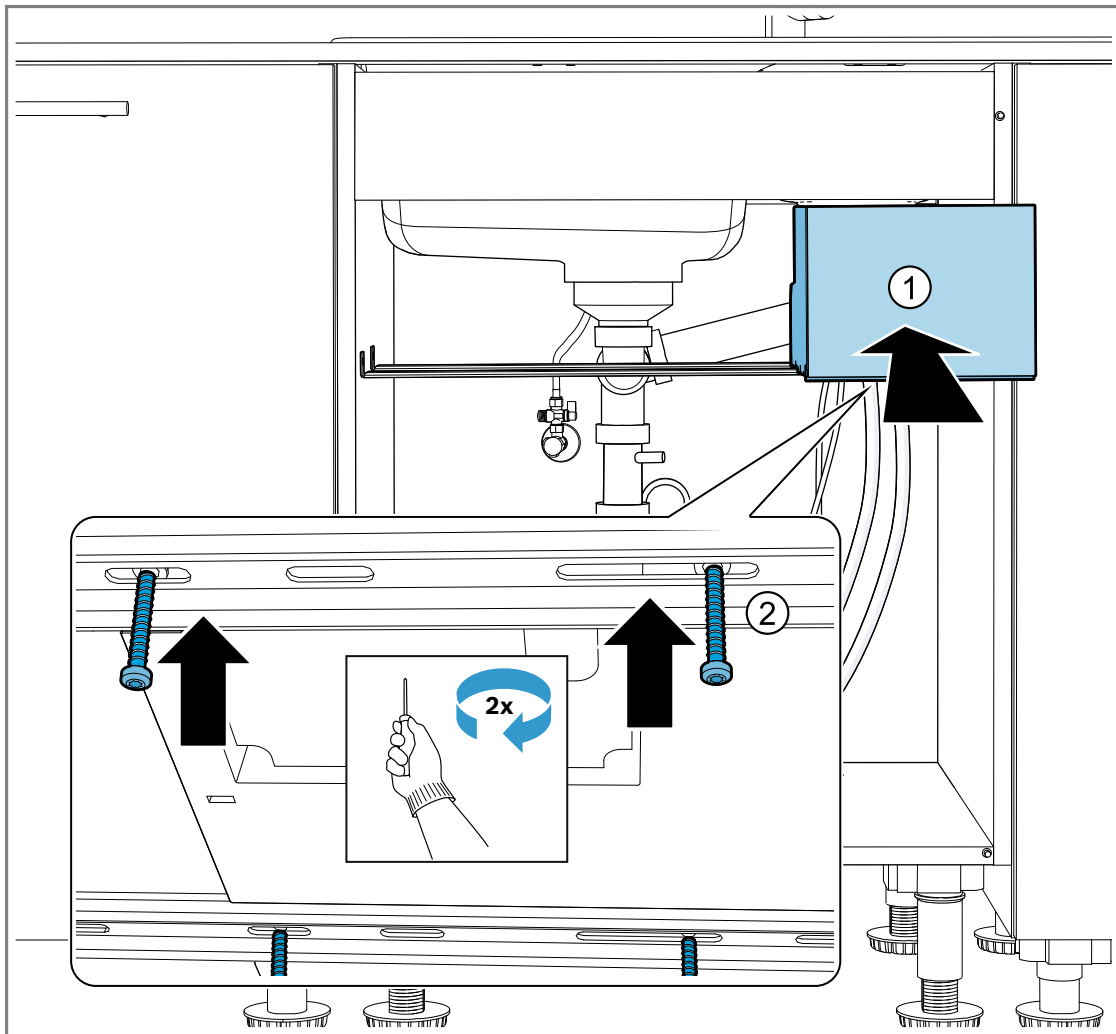


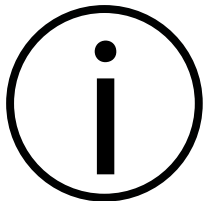


A

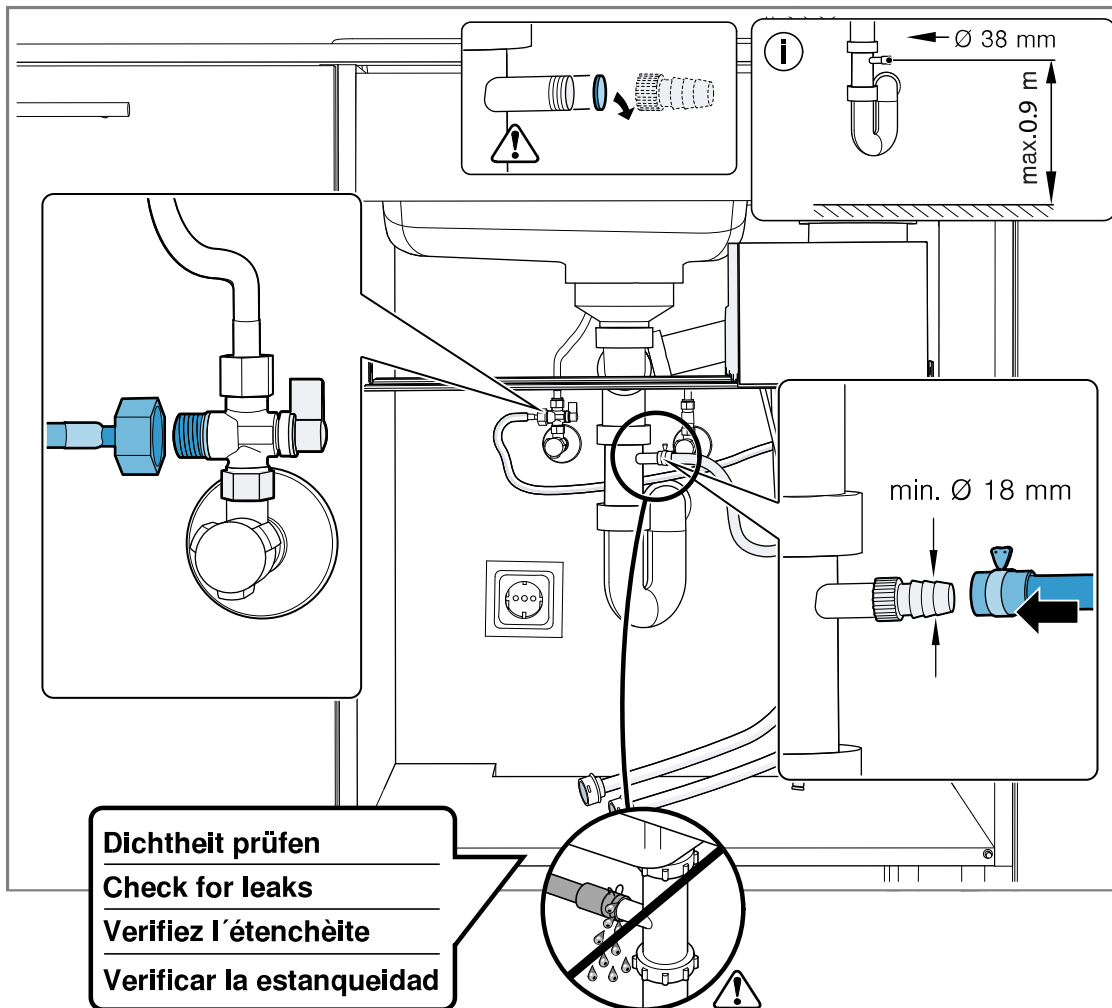
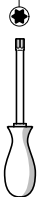


Torx
T 20

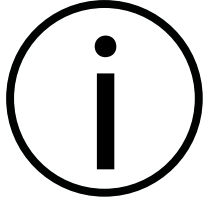




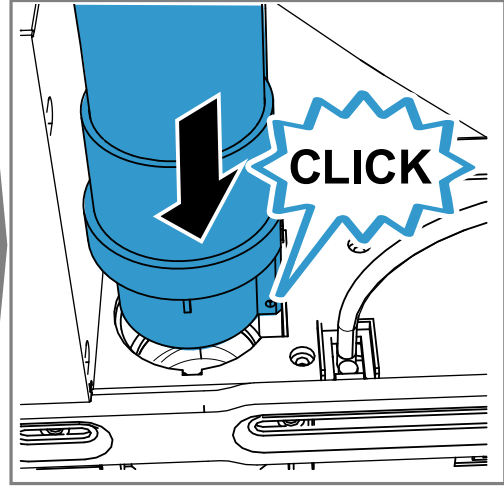
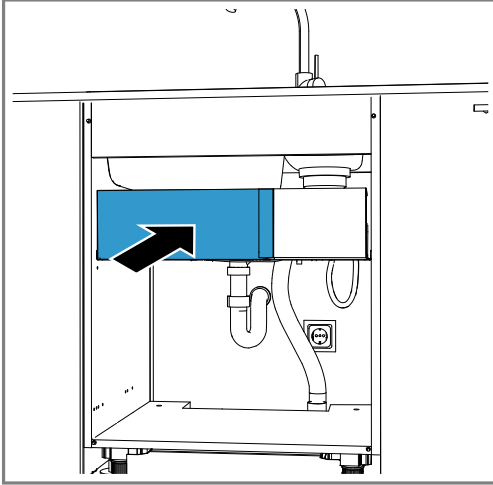
Torx
T 20

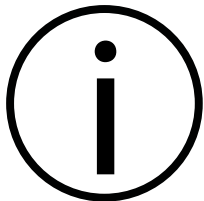


Dichtheit prüfen
Check for leaks
Verifiez l'étanchéité
Verificar la estanqueidad



B

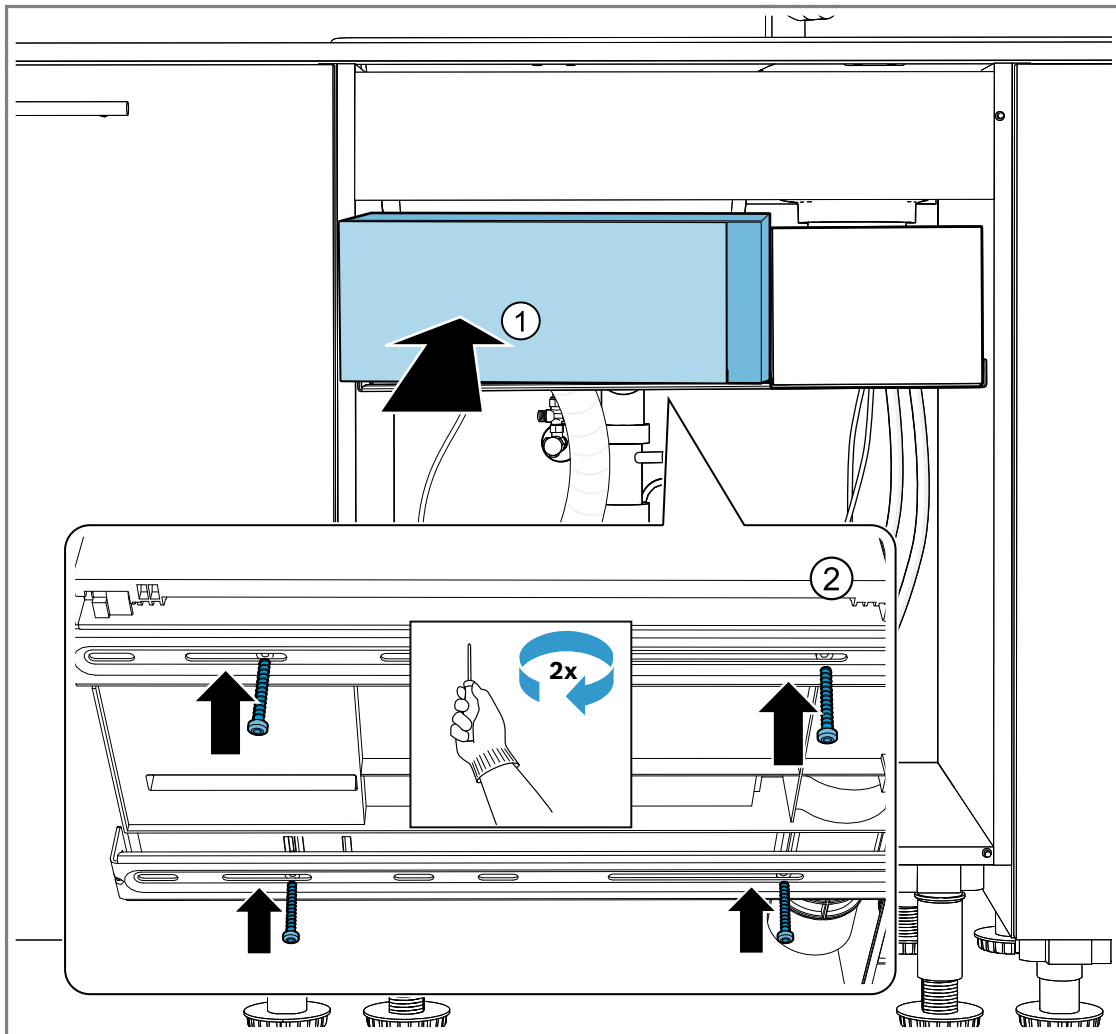


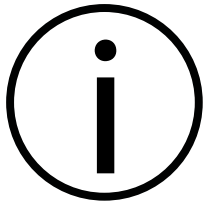


B



Torx
T 20

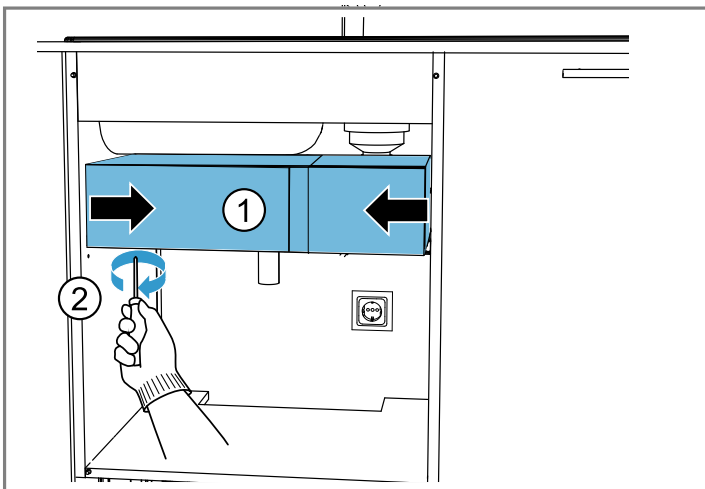
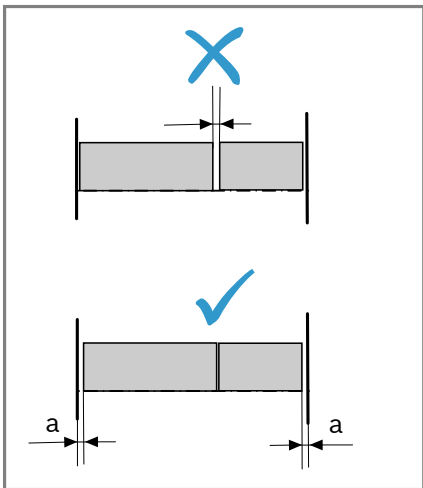
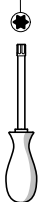


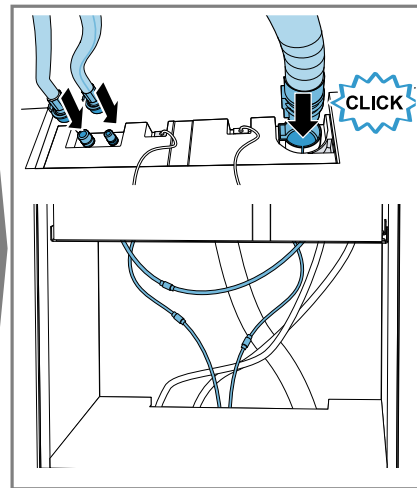
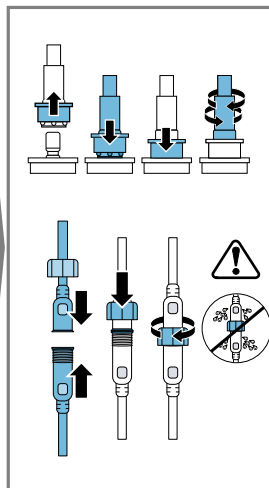
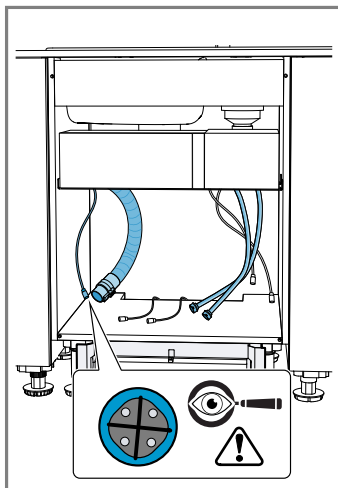
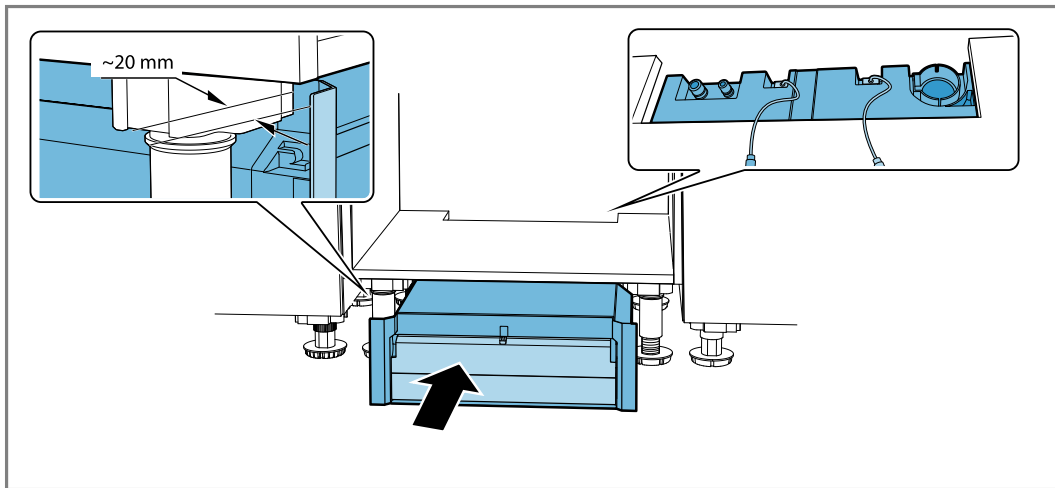
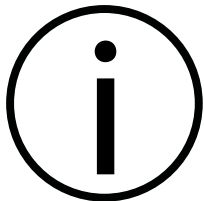


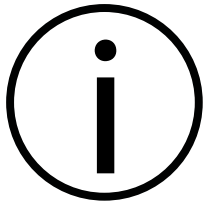
B



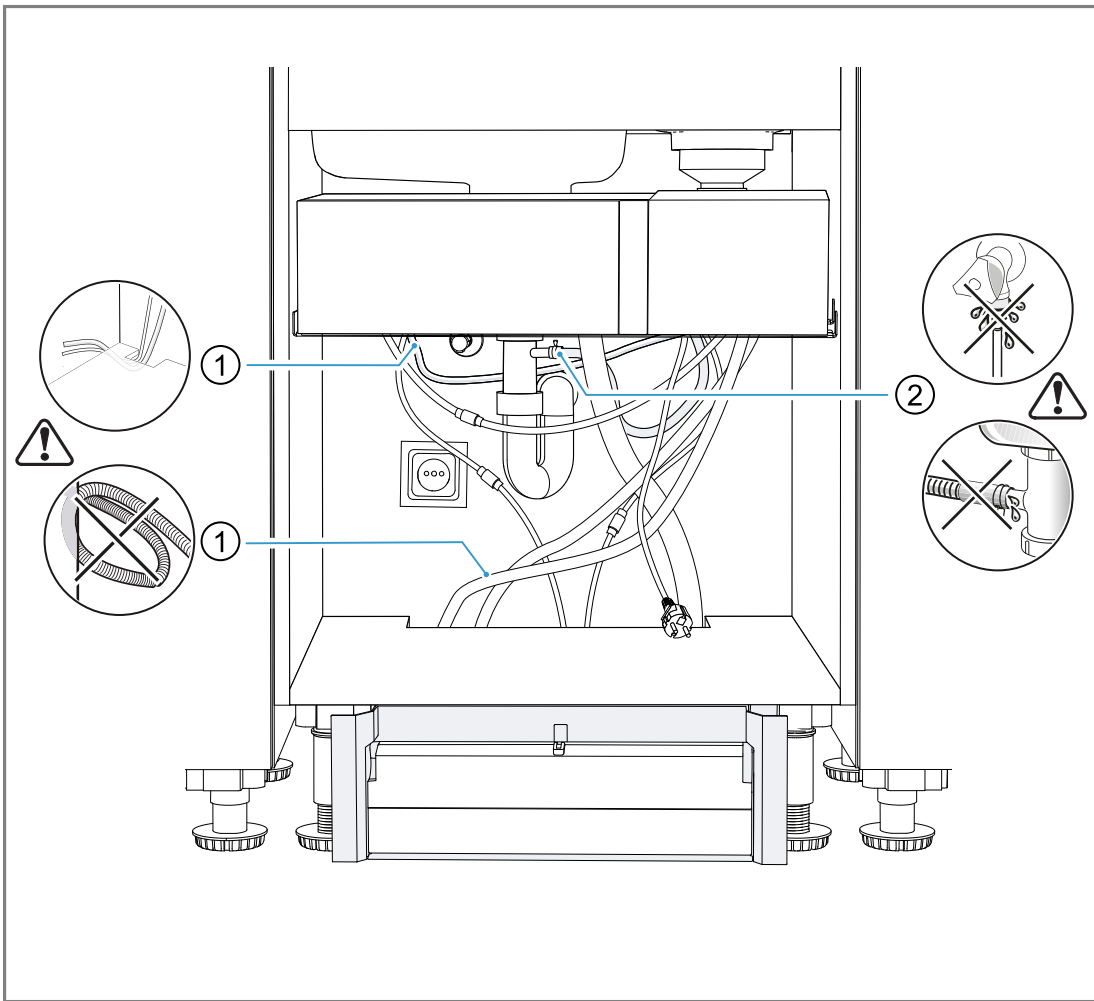
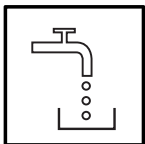
Torx
T 20

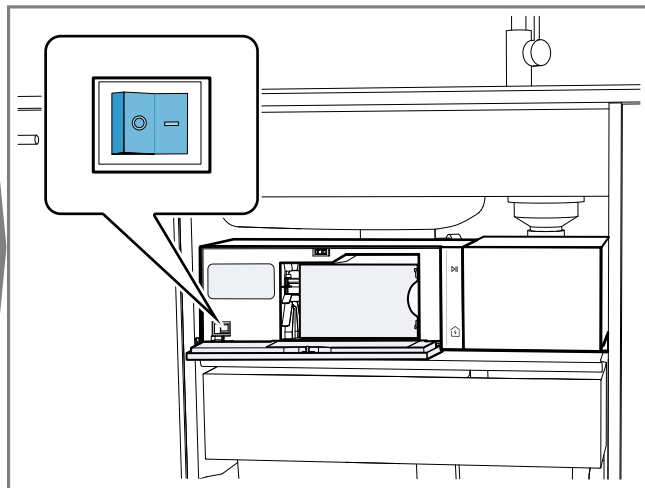
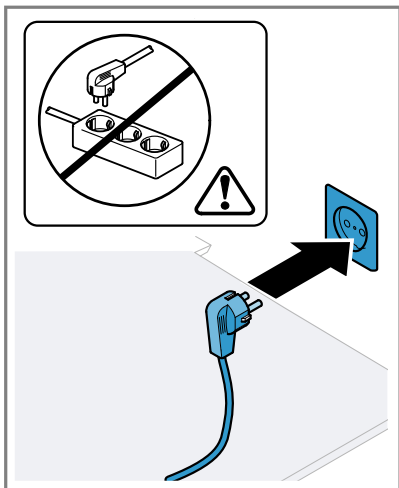
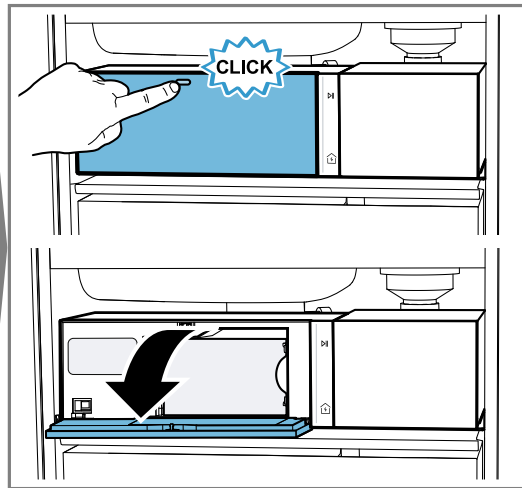
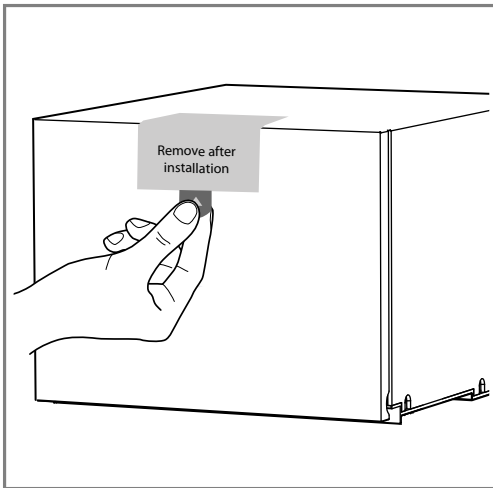
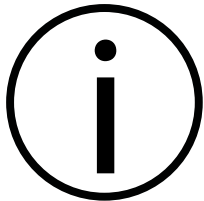


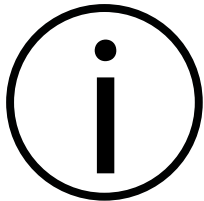




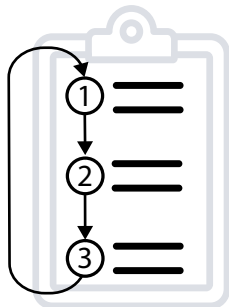
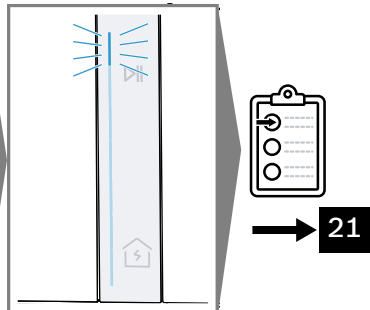
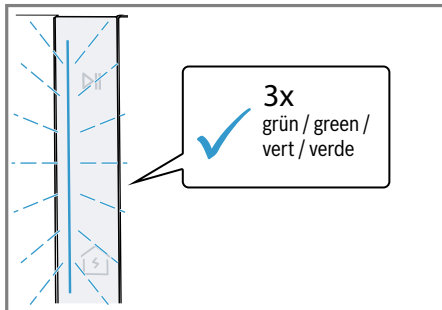
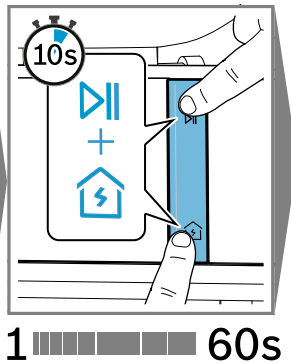
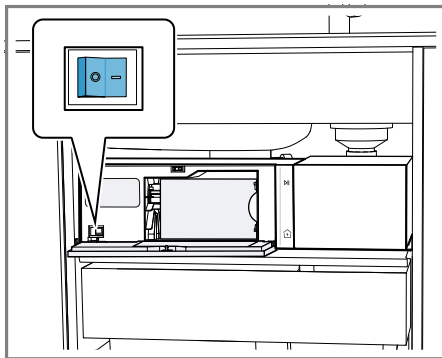
A
B
C



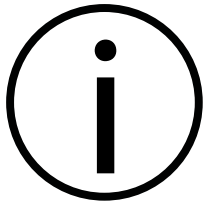




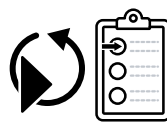
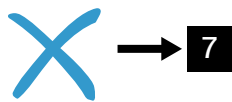
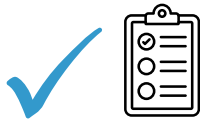
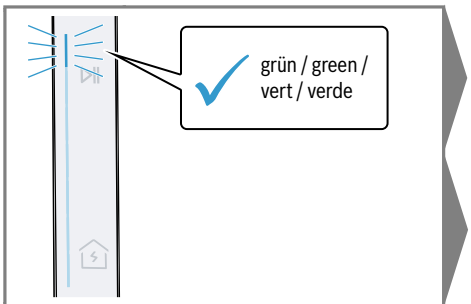
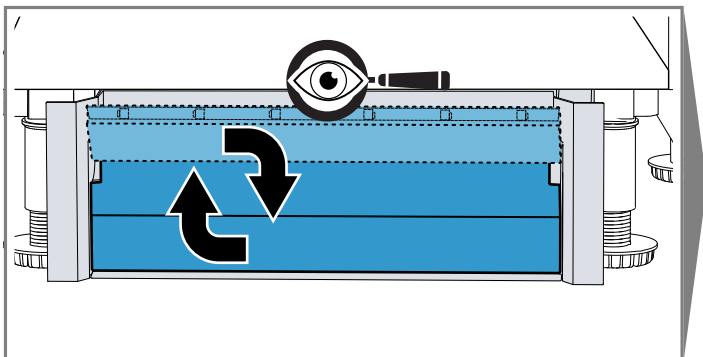
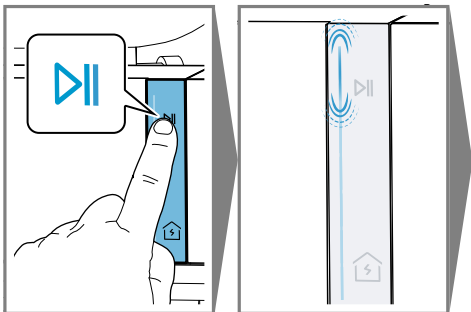
Installation mode

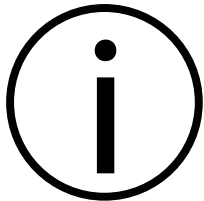


		✓ vor next suivant siguiente	✗ zurück back retour espalda
		start start démarrer comenar	/ wiederholen repeat répéter repetr
10s 		beenden exit sortie salir	

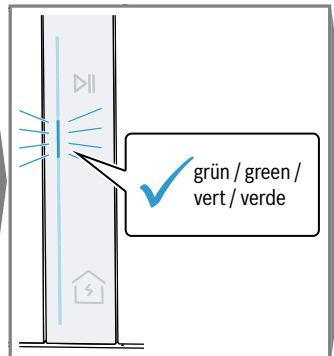
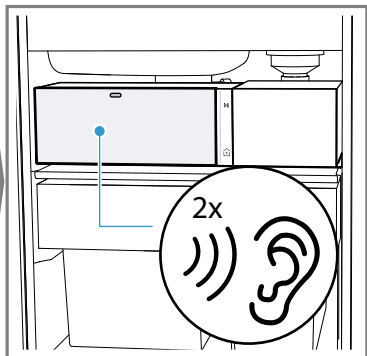
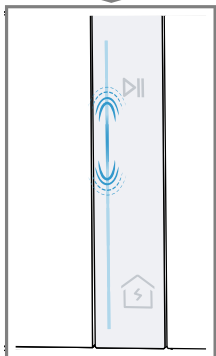
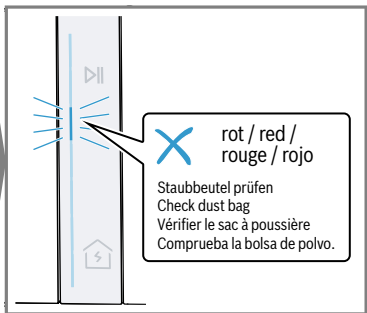
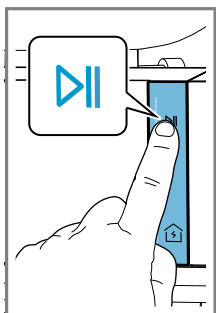
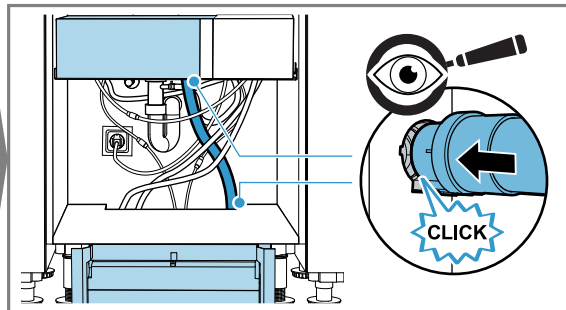
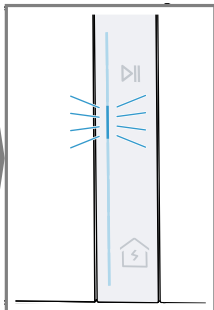
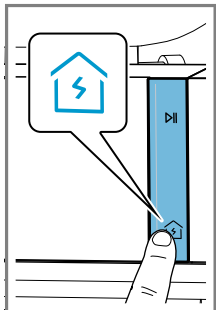


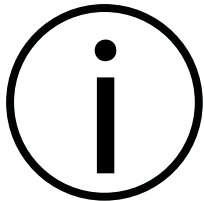
Installation mode



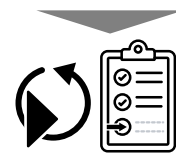
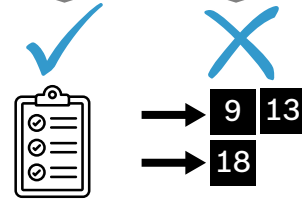
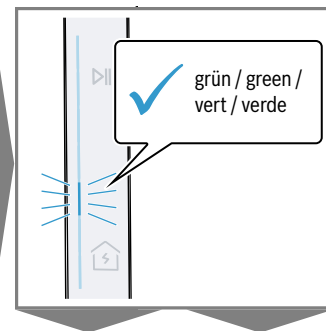
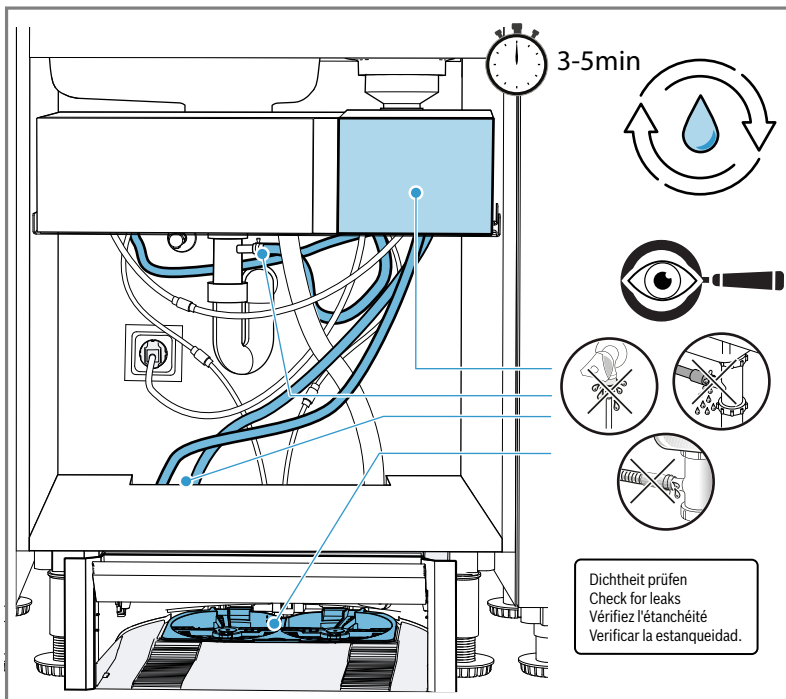
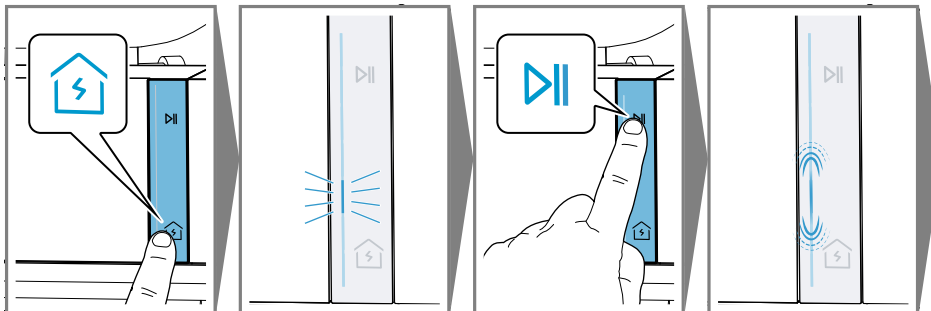


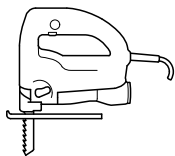
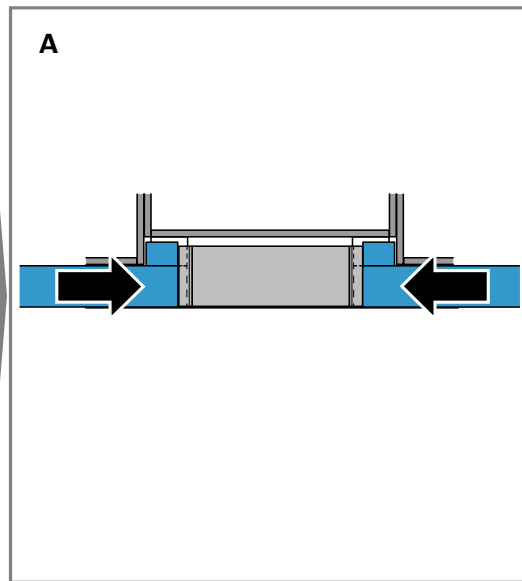
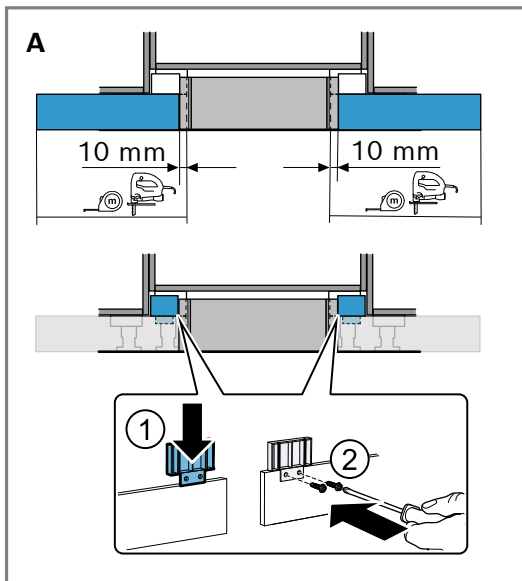
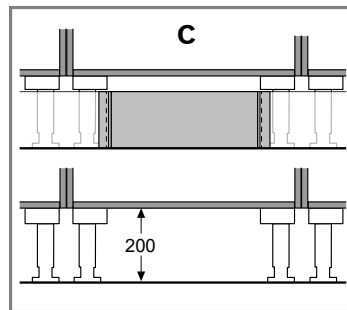
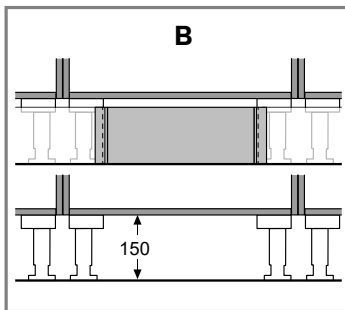
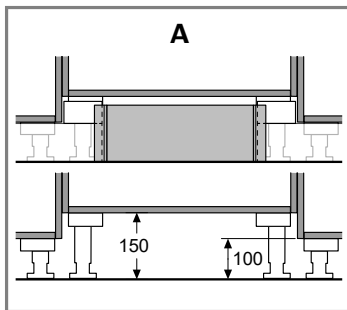
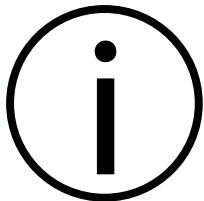
Installation mode



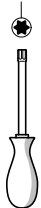


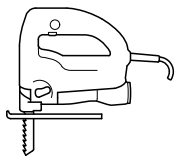
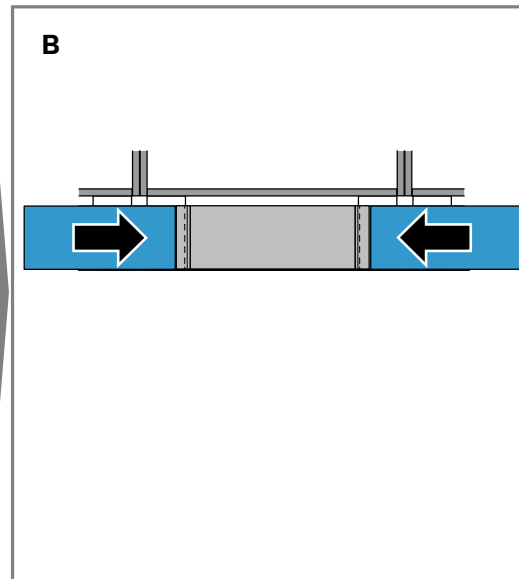
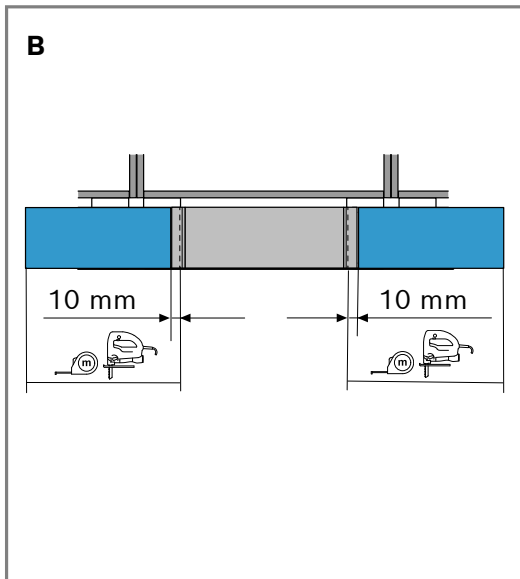
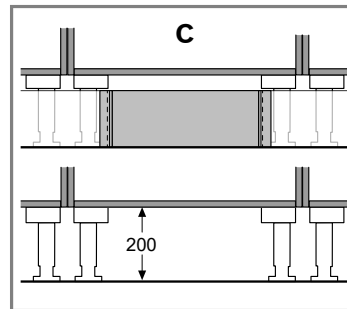
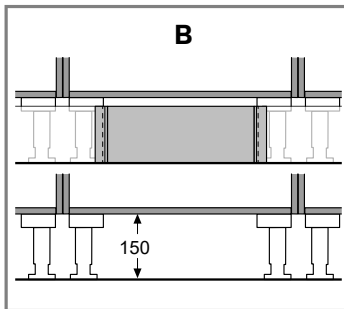
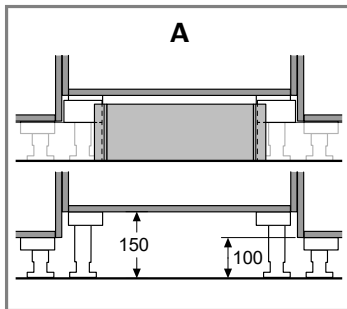
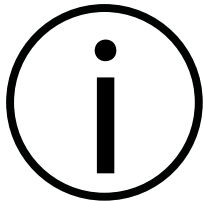
Installation mode

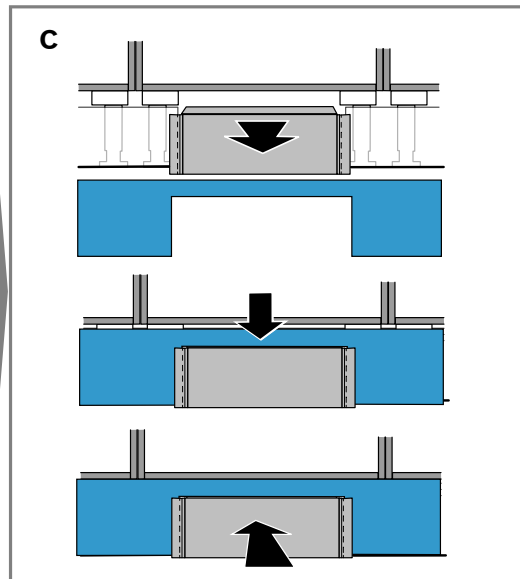
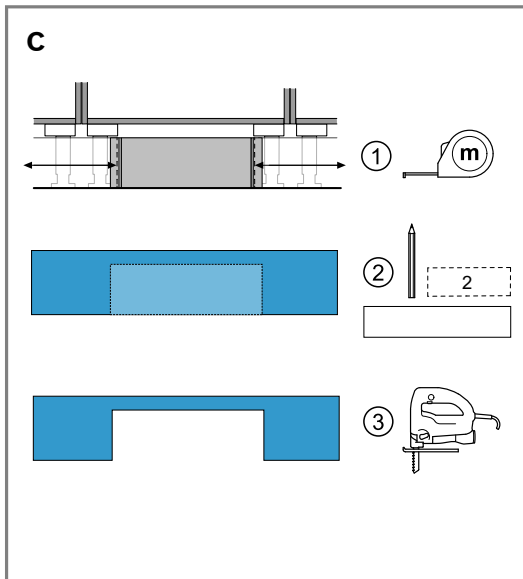
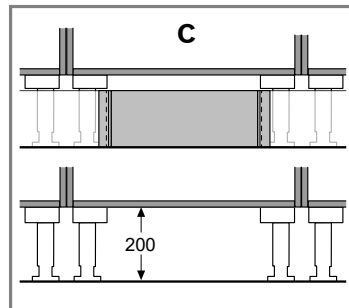
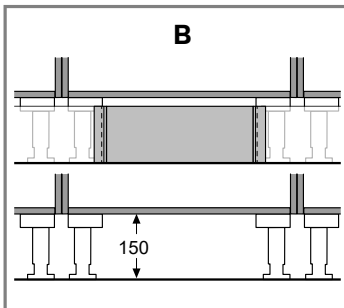
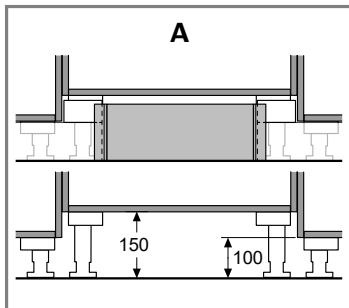
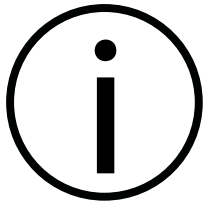


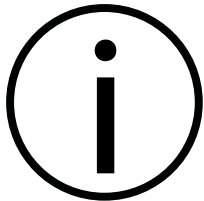


Torx
T 20

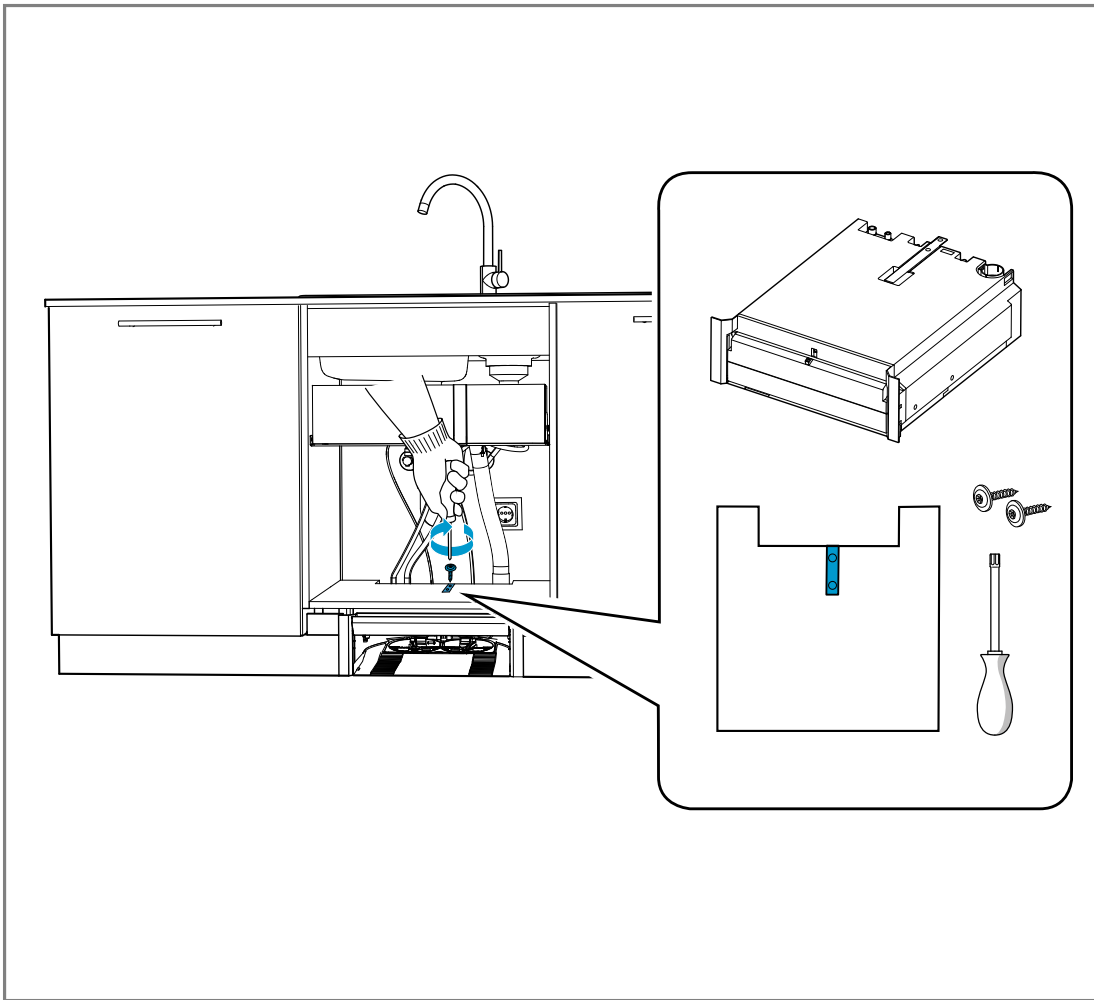


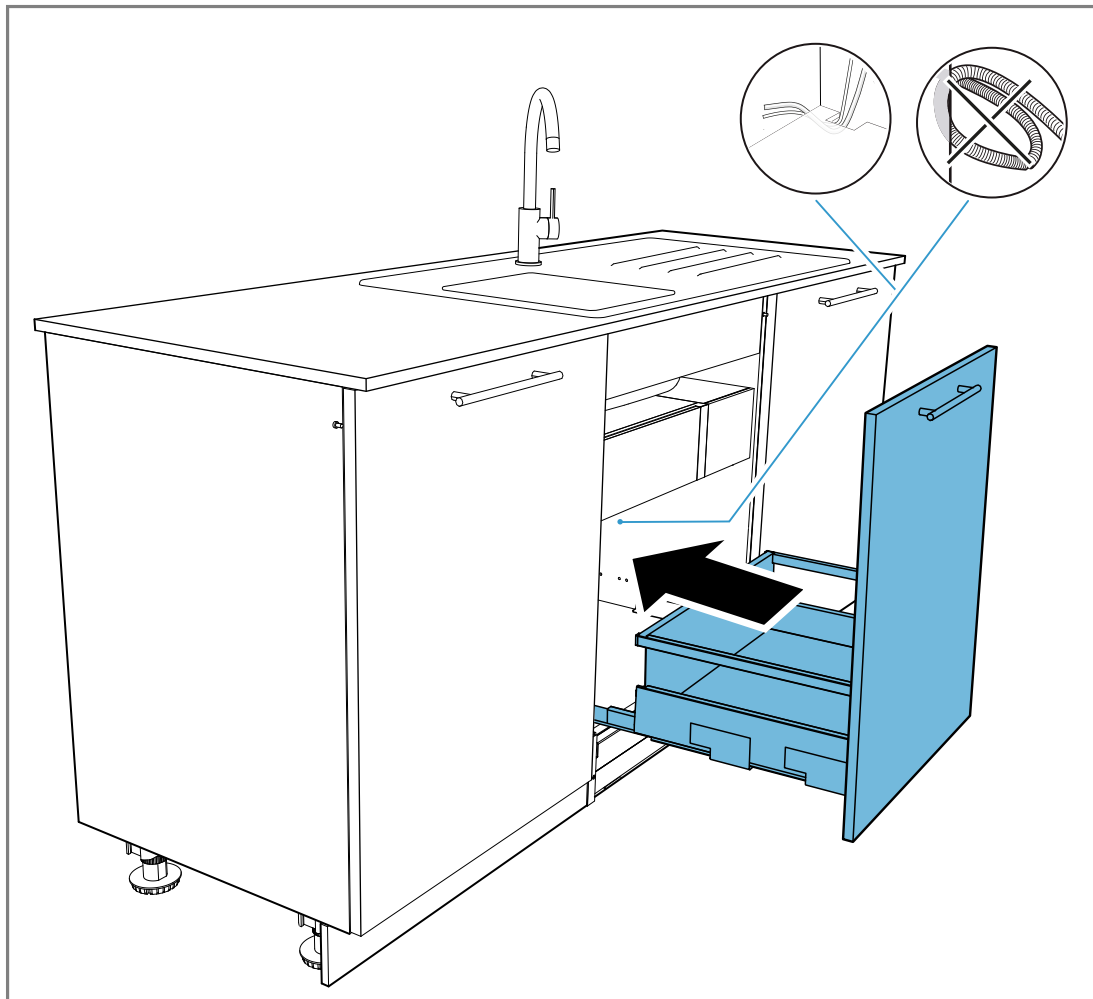
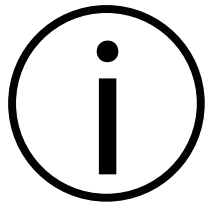






Torx
T 20







A series of horizontal lines for writing, starting from a vertical margin line on the left and extending across the page.

