



BOSCH

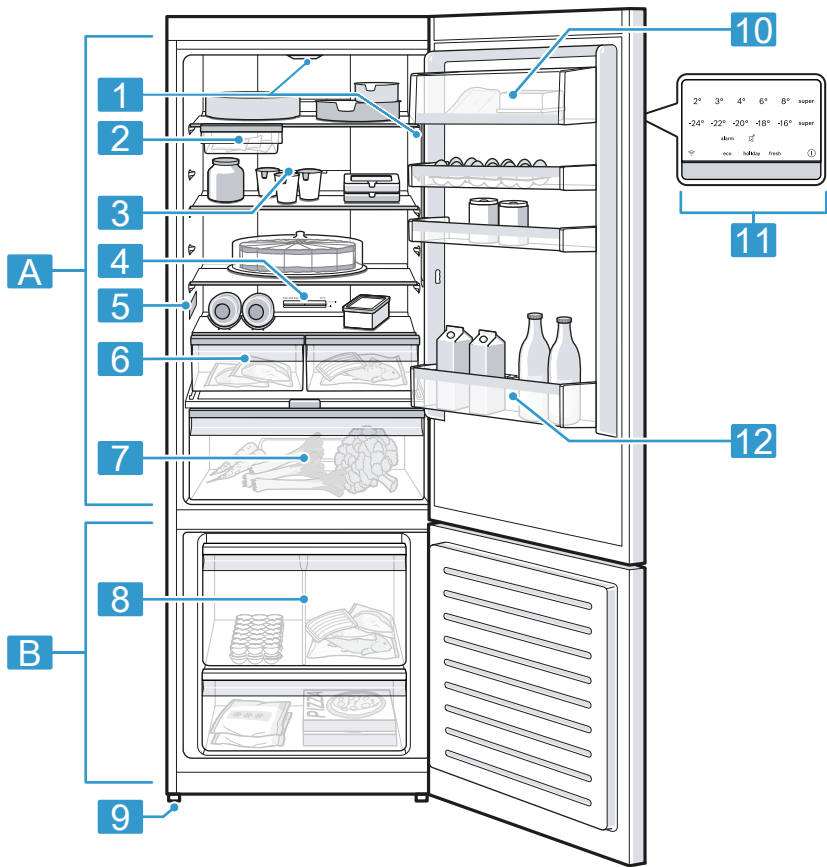


Register your
new device on
MyBosch now and
get free benefits:
[bosch-home.com/
welcome](https://bosch-home.com/welcome)

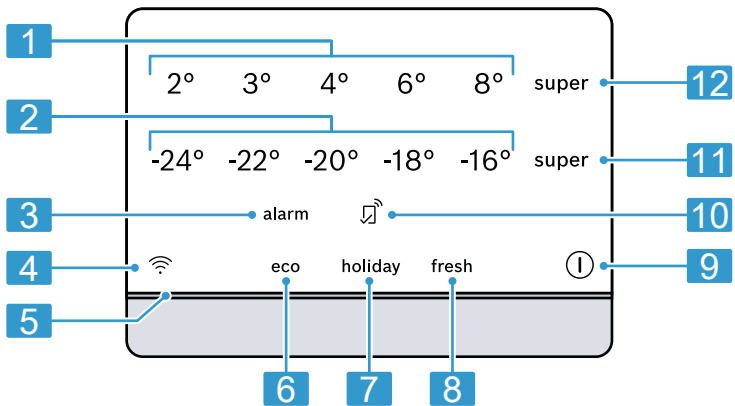
Fridge-freezer

KG56..

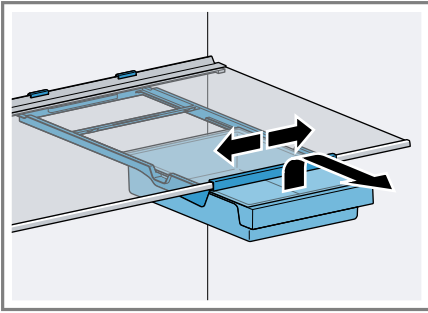
| | | | |
|-------------|----------------------|-------------------------------------|----|
| [en] | Information for Use | Fridge-freezer | 6 |
| [fr] | Manuel d'utilisation | Réfrigérateur / Congélateur combiné | 36 |



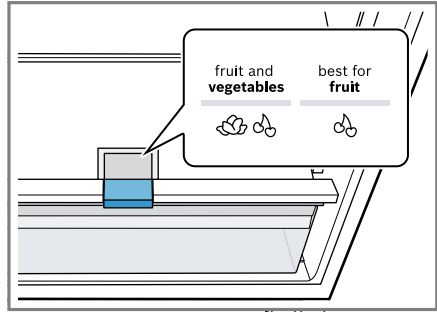
1



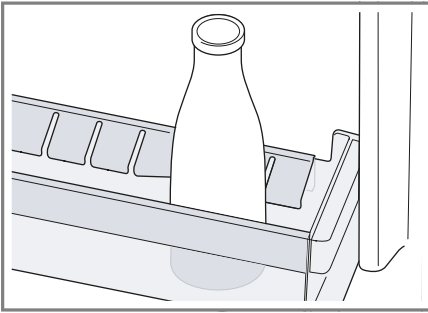
2



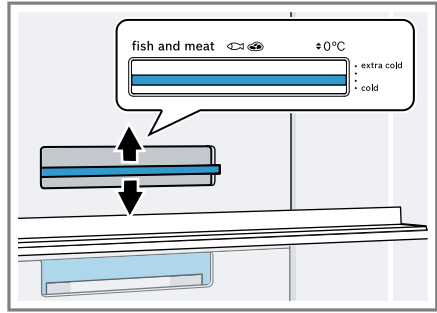
3



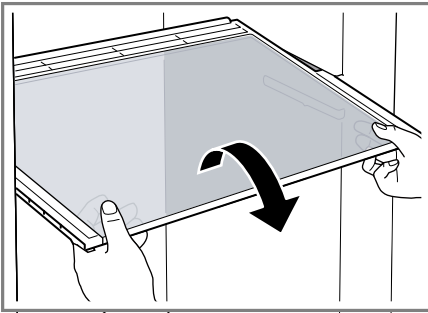
4



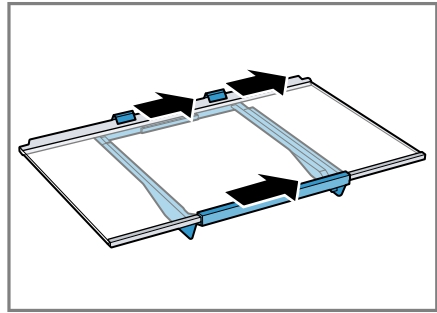
5



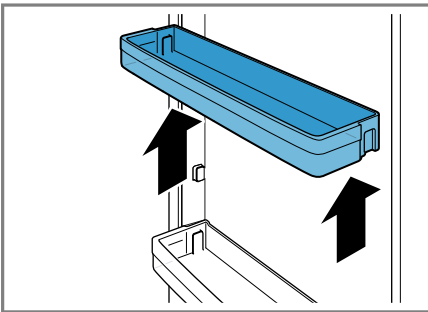
6



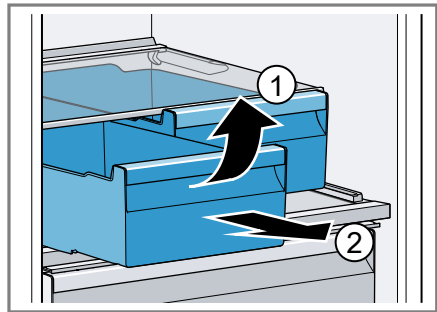
7



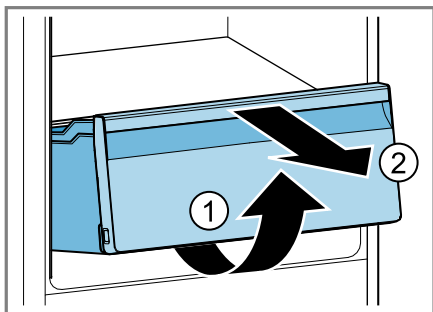
8



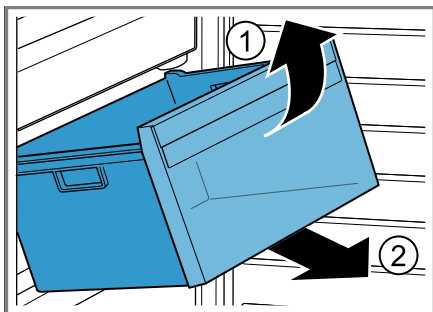
9



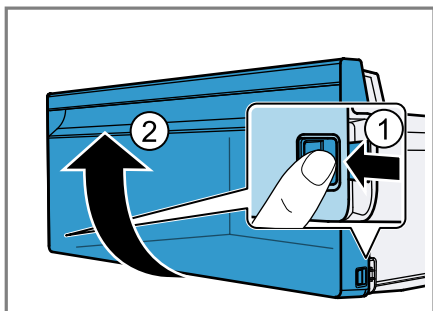
10



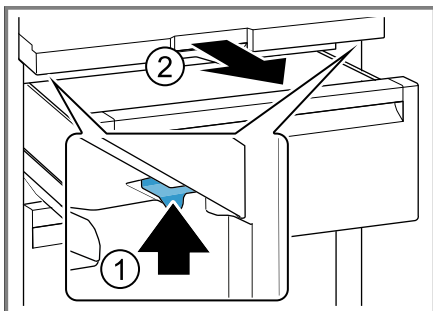
11



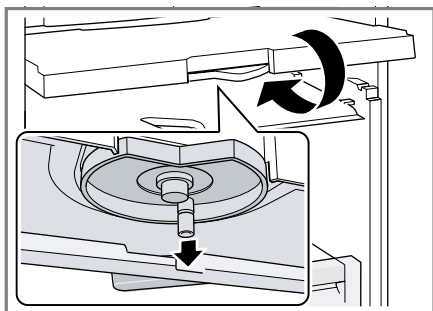
12



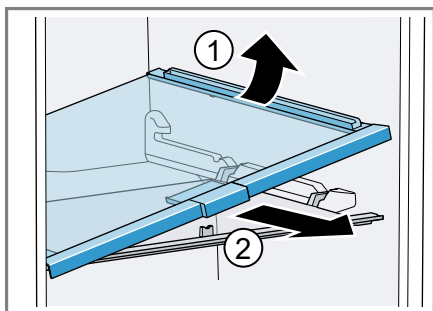
13



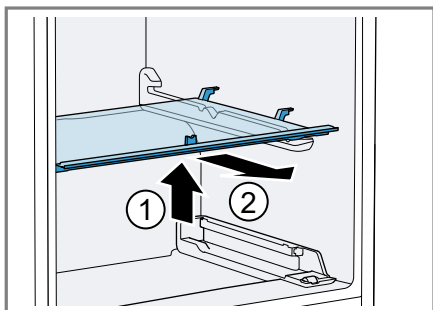
14



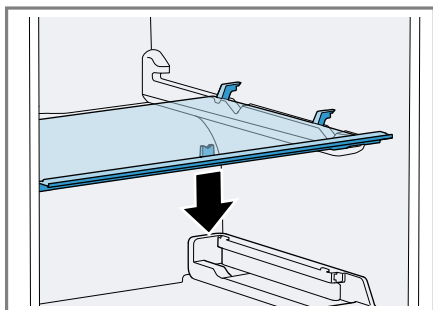
15



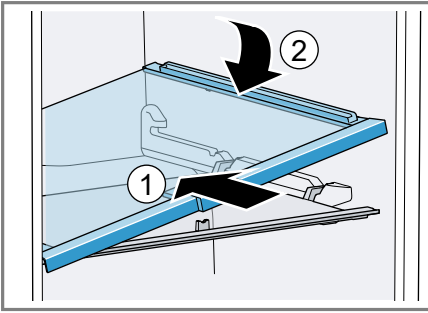
16



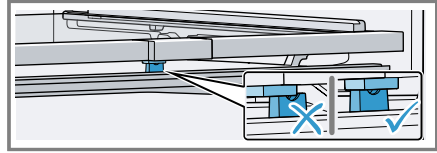
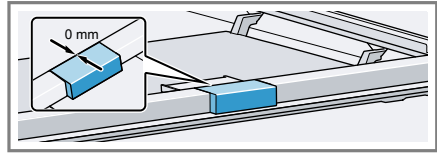
17



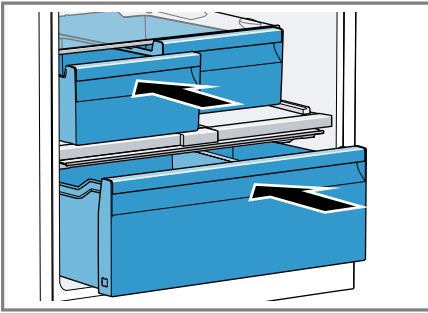
18



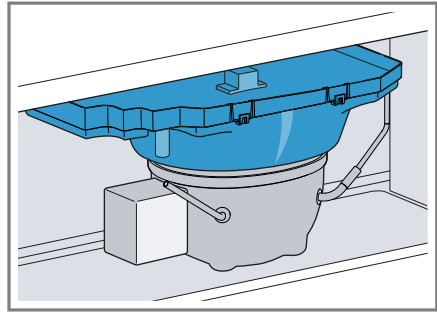
19



20



21



22

Further information and explanations are available online:



Table of contents

| | | | |
|---|-----------|--------------------------------------|-----------|
| 1 Safety | 8 | | |
| 1.1 General information..... | 8 | 6.5 Butter and cheese compart- | |
| 1.2 Intended use..... | 8 | ment..... | 18 |
| 1.3 Restriction on user group..... | 8 | 6.6 Door rack..... | 18 |
| 1.4 Safe transport..... | 8 | 6.7 Accessories..... | 18 |
| 1.5 Safe installation | 9 | 7 Basic operation | 19 |
| 1.6 Safe use | 10 | 7.1 Switching on the appliance..... | 19 |
| 1.7 Damaged appliance..... | 12 | 7.2 Operating tips..... | 19 |
| 2 Preventing material damage | 14 | 7.3 Switching off the appliance..... | 19 |
| 3 Environmental protection and | | 7.4 Setting the temperature..... | 19 |
| saving energy..... | 14 | 8 Additional functions | 20 |
| 3.1 Disposing of packaging | 14 | 8.1 Super cooling | 20 |
| 3.2 Saving energy..... | 14 | 8.2 Super freezing | 20 |
| 4 Installation and connection..... | 15 | 8.3 Holiday mode | 20 |
| 4.1 Scope of delivery..... | 15 | 8.4 Energy-saving mode..... | 21 |
| 4.2 Criteria for the installation | | 8.5 Freshness mode..... | 21 |
| location..... | 15 | 9 Alarm..... | 21 |
| 4.3 Installing the appliance | 16 | 9.1 Door alarm | 21 |
| 4.4 Preparing the appliance for | | 9.2 Temperature alarm..... | 21 |
| the first time..... | 16 | 10 Home Connect | 22 |
| 4.5 Connecting the appliance to | | 10.1 Setting up the Home Con- | |
| the electricity supply..... | 16 | nect app | 22 |
| 5 Familiarising yourself with | | 10.2 Setting up Home Connect..... | 23 |
| your appliance..... | 16 | 10.3 Switching on the connec- | |
| 5.1 Appliance | 16 | tion to the WLAN home net- | |
| 5.2 Control panel..... | 17 | work (Wi-Fi) | 23 |
| 6 Features | 17 | 10.4 Switching off the connec- | |
| 6.1 Shelf..... | 17 | tion to the WLAN home net- | |
| 6.2 Snack container | 17 | work (Wi-Fi) | 23 |
| 6.3 Storage container..... | 17 | 10.5 Installing updates for the | |
| 6.4 Fruit and vegetable con- | | Home Connect software..... | 23 |
| tainer with humidity control | 18 | 10.6 Resetting Home Connect | |
| | | settings | 23 |
| | | 10.7 Data protection..... | 23 |

| | | | |
|---|-----------|---|-----------|
| 11 Refrigerator compartment | 24 | 18 Technical data | 34 |
| 11.1 Tips for storing food in the refrigerator compartment | 24 | 18.1 Information regarding Free and Open Source Software... | 34 |
| 11.2 Chill zones in the refrigerator compartment..... | 24 | 19 Declaration of Conformity | 35 |
| 12 Freezer compartment..... | 24 | | |
| 12.1 Freezing capacity | 24 | | |
| 12.2 Fully utilising the freezer compartment volume | 25 | | |
| 12.3 Tips for storing food in the freezer compartment..... | 25 | | |
| 12.4 Tips for freezing fresh food ... | 25 | | |
| 12.5 Shelf life of frozen food at -18 °C..... | 25 | | |
| 12.6 Defrosting methods for frozen food | 26 | | |
| 13 Defrosting | 26 | | |
| 13.1 Defrosting in the refrigerator compartment..... | 26 | | |
| 13.2 Defrosting in the freezer compartment | 26 | | |
| 14 Cleaning and servicing | 26 | | |
| 14.1 Preparing the appliance for cleaning | 26 | | |
| 14.2 Cleaning the appliance | 27 | | |
| 14.3 Removing the fittings..... | 27 | | |
| 14.4 Removing appliance components..... | 28 | | |
| 15 Troubleshooting..... | 30 | | |
| 15.1 Power failure..... | 33 | | |
| 15.2 Conducting an appliance self-test | 33 | | |
| 16 Storage and disposal | 33 | | |
| 16.1 Taking the appliance out of operation | 33 | | |
| 16.2 Disposing of old appliance ... | 33 | | |
| 17 Customer Service..... | 34 | | |
| 17.1 Product number (E-Nr.), production number (FD) and consecutive numbering (Z-Nr.) | 34 | | |



1 Safety

Observe the following safety instructions.

1.1 General information

- Read this instruction manual carefully.
- Keep the instruction manual and the product information safe for future reference or for the next owner.
- Do not connect the appliance if it has been damaged in transit.

1.2 Intended use

Only use this appliance:

- for chilling and freezing food and for making ice cubes.
- in private households and in enclosed spaces in a domestic environment.
- Up to an altitude of 2000 m above sea level.

1.3 Restriction on user group

This appliance may be used by children aged 8 or over and by people who have reduced physical, sensory or mental abilities or inadequate experience and/or knowledge, provided that they are supervised or have been instructed on how to use the appliance safely and have understood the resulting dangers.

Do not let children play with the appliance.

Cleaning and user maintenance must not be performed by children unless they are being supervised.

1.4 Safe transport

WARNING – Risk of injury!

The high weight of the appliance may result in injury when lifted.

- ▶ Do not lift the appliance on your own.

1.5 Safe installation

⚠ WARNING – Risk of electric shock!

Incorrect installation is dangerous.

- ▶ Connect and operate the appliance only in accordance with the specifications on the rating plate.
- ▶ Connect the appliance to a power supply with alternating current only via a properly installed socket with earthing.
- ▶ The protective conductor system of the domestic electrical installation must be properly installed.
- ▶ Never equip the appliance with an external switching device, e.g. a timer or remote control.
- ▶ When the appliance is installed, the mains plug of the power cord must be freely accessible. If free access is not possible, an isolating switch must be integrated into the permanent electrical installation according to the installation regulations.
- ▶ When installing the appliance, check that the power cable is not trapped or damaged.

If the insulation of the power cord is damaged, this is dangerous.

- ▶ Never let the power cord come into contact with heat sources.

⚠ WARNING – Risk of explosion!

If the appliance's ventilation openings are sealed, a leak in the refrigeration circuit may result in a flammable mixture of gas and air.

- ▶ Keep ventilation openings, in the appliance enclosure or in the built-in structure, clear of obstruction.

⚠ WARNING – Risk of fire!

It is dangerous to use an extended power cord and non-approved adapters.

- ▶ Do not use extension cables or multiple socket strips.
- ▶ Only use adapters and power cords approved by the manufacturer.
- ▶ If the power cord is too short and a longer one is not available, please contact an electrician to have the domestic installation adapted.

Portable multiple socket strips or portable power supply units may overheat and cause a fire.

- ▶ Do not place portable multiple socket strips or power supply units on the back of the appliance.

1.6 Safe use

⚠ WARNING – Risk of electric shock!

An ingress of moisture can cause an electric shock.

- ▶ Only use the appliance in enclosed spaces.
- ▶ Never expose the appliance to intense heat or humidity.
- ▶ Do not use steam- or high-pressure cleaners to clean the appliance.

⚠ WARNING – Risk of suffocation!

Children may put packaging material over their heads or wrap themselves up in it and suffocate.

- ▶ Keep packaging material away from children.
- ▶ Do not let children play with packaging material.

Children may breathe in or swallow small parts, causing them to suffocate.

- ▶ Keep small parts away from children.
- ▶ Do not let children play with small parts.

⚠ WARNING – Risk of explosion!

If the cooling circuit is damaged, flammable refrigerant may escape and explode.

- ▶ To accelerate the defrosting process, do not use any other mechanical devices or means other than those recommended by the manufacturer.
- ▶ If food is stuck to the freezer compartment, loosen it with a blunt implement such as the handle of a wooden spoon.

Products which contain flammable propellants and explosive substances may explode, e.g. spray cans.

- ▶ Do not store products which contain flammable propellants (e.g. spray cans) or explosive substances in the appliance.

⚠ WARNING – Risk of fire!

Electrical devices within the appliance may cause a fire, e.g. heaters or electric ice makers.

- ▶ Do not operate electrical devices within the appliance.

⚠ WARNING – Risk of injury!

Containers that contain carbonated drinks may burst.

- ▶ Do not store containers that contain carbonated drinks in the freezer compartment.

Injury to the eyes caused by escaping flammable refrigerant and hazardous gases.

- ▶ Do not damage the tubes of the refrigerant circuit or the insulation.

The appliance may tip.

- ▶ Do not stand or support yourself on the base, runners or doors.

⚠ WARNING – Risk of burns!

Individual parts on the back of the appliance become hot during operation.

- ▶ Never touch these hot parts.

⚠ WARNING – Risk of cold burns!

Contact with frozen food and cold surfaces may cause burns by refrigeration.

- ▶ Never put frozen food straight from the freezer compartment into your mouth.
- ▶ Avoid prolonged contact of the skin with frozen food, ice and surfaces in the freezer compartment.

⚠ CAUTION – Risk of harm to health!

To prevent food from being contaminated, you must observe the following instructions.

- ▶ If the door is open for an extended period of time, this may lead to a considerable temperature increase in the compartments of the appliance.
- ▶ Regularly clean the surfaces that may come into contact with food and accessible drain systems.

- ▶ Store raw meat and fish in suitable containers in the refrigerator so that they do not touch or drip on other food.
- ▶ If the fridge/freezer is empty for an extended period of time, switch off the appliance, defrost it, clean it and leave the door open to prevent the formation of mould.

Metal or metal-style parts in the appliance may contain aluminium. If acidic food comes into contact with aluminium in the appliance, aluminium foil ions may pass into the food.

- ▶ Do not consume soiled food.

1.7 Damaged appliance

WARNING – Risk of electric shock!

If the appliance or the power cord is damaged, this is dangerous.

- ▶ Never operate a damaged appliance.
- ▶ Never pull on the power cord to unplug the appliance. Always unplug the appliance at the mains.
- ▶ If the appliance or the power cord is damaged, immediately unplug the power cord or switch off the fuse in the fuse box.
- ▶ Call customer services. → *Page 34*

Improper repairs are dangerous.

- ▶ Repairs to the appliance should only be carried out by trained specialist staff.
- ▶ Only use genuine spare parts when repairing the appliance.
- ▶ If the power cord or the appliance power cable of this appliance is damaged, it must be replaced with a special power cord or special appliance power cable, which is available from the manufacturer or its Customer Service.

WARNING – Risk of fire!



If the tubes are damaged, flammable refrigerant and harmful gases may escape and ignite.

- ▶ Keep naked flames and ignition sources away from the appliance.
- ▶ Ventilate the room.

- ▶ Switch off the appliance. → *Page 19*
- ▶ Unplug the appliance from the mains or switch off the circuit breaker in the fuse box.
- ▶ Call after-sales service. → *Page 34*

2 Preventing material damage

ATTENTION!

If not rolling freely, the appliance's castors may damage the floor when the appliance is moved.

- ▶ Transport the appliance using a sack truck.
- ▶ Use floor protection when moving the appliance, and do not move it in a zigzag fashion.

Using the appliance, base, runners or doors as a seat or climbing surface may damage the appliance.

- ▶ Do not stand or lean on the appliance, base, runners or doors.

Contamination with oil or fat may cause plastic parts and door seals to become porous.

- ▶ Keep plastic parts and door seals free of oil and grease.

Metal or metal-style parts in the appliance may contain aluminium. Aluminium reacts when it comes into contact with acidic foods.

- ▶ Do not store unpackaged food in the appliance.

If you clean fittings and accessories in the dishwasher, this may cause them to become deformed or discoloured.

- ▶ Never clean fittings and accessory in the dishwasher.

3 Environmental protection and saving energy

3.1 Disposing of packaging

The packaging materials are environmentally compatible and can be recycled.

- ▶ Sort the individual components by type and dispose of them separately.

3.2 Saving energy

If you follow these instructions, your appliance will use less power.

Selecting the installation location

- Keep the appliance out of direct sunlight.
- Install the appliance as far away as possible from heating elements, cookers and other heat sources:
 - Maintain a 30 mm clearance to electric or gas cookers.
 - Maintain a 300 mm clearance to oil or solid-fuel cookers.
- Make sure there is a small gap between the side wall and the appliance.
- Never cover or block the external ventilation openings.

Saving energy during use

Note: The arrangement of the fittings does not affect the energy consumption of the appliance.

- Open the appliance only briefly and then close it carefully.
- Never cover or block the interior ventilation openings or the exterior ventilation openings.
- Transport purchased food in a cool bag and place in the appliance quickly.

- Allow warm food and drinks to cool down before storing them.
- Thaw frozen food in the refrigerator compartment to utilise the low temperature of the food.
- Always leave some space between the food and to the back panel.

Standby mode

If the appliance is not being used, the display automatically switches to standby mode.

In standby mode, the brightness of the control panel is reduced and the light bar lights up.

Standby mode is deactivated as soon as you operate the display or open the door.

You can switch off the light bar in standby mode.

Switching on the light bar

- ▶ Press and hold **2° + 8°** for 3 seconds until an audible signal sounds.

Switching off the light bar

- ▶ Press and hold **2° + 8°** for 3 seconds until an audible signal sounds.

4 Installation and connection

4.1 Scope of delivery

After unpacking all parts, check for any transport damage and for completeness of delivery.

If you have any complaints, contact your dealer or our after-sales service → *Page 34*.

The delivery consists of the following:

- Free-standing appliance
- Equipment and accessories¹
- Installation instructions
- User manual
- Customer service directory
- Warranty enclosure²
- Energy label
- Information on energy consumption and noises
- Information about Home Connect

4.2 Criteria for the installation location

WARNING **Risk of explosion!**

If the appliance is in a space that is too small, a leak in the refrigeration circuit may result in a flammable mixture of gas and air.

- ▶ Only install the appliance in a space with a volume of at least 1 m³ per 8 g refrigerant. The volume of refrigerant is indicated on the rating plate. → *Fig. 1 / 5*

The weight of the appliance ex works may be up to 110 kg depending on the model.

The subfloor must be sufficiently stable to bear the weight of the appliance.

Permitted room temperature

The permitted room temperature depends on the appliance's climate class.

The climate class can be found on the rating plate. → *Fig. 1 / 5*

¹ Depending on the appliance specifications

² Not in all countries

| Climate class | Permitted room temperature |
|---------------|----------------------------|
| SN | 10 °C to 32 °C |
| N | 16 °C to 32 °C |
| ST | 16 °C to 38 °C |
| T | 16 °C to 43 °C |

The appliance is fully functional within the permitted room temperature.

If an appliance with climate class SN is operated at colder room temperatures, the appliance will not be damaged up to a room temperature of 5 °C.

Over-and-under and side-by-side installation

If you want to install 2 refrigerating appliances one over the other or side by side, you must maintain a clearance of at least 150 mm between the appliances. Selected appliances can be installed without a minimum clearance. Ask your dealer or kitchen planner about this.

4.3 Installing the appliance

- ▶ Install the appliance in accordance with the enclosed installation instructions.

4.4 Preparing the appliance for the first time

1. Remove the informative material.
2. Remove the protective foil and transit bolts, e.g. remove the adhesive strips and carton.
3. Clean the appliance for the first time. → Page 27

4.5 Connecting the appliance to the electricity supply

1. Insert the non-heating appliance plug of the power cable into the appliance.
2. Insert the mains plug of the appliance's power cable in a socket nearby.

The connection data of the appliance can be found on the rating plate. → Fig. **1** / **5**

3. Check the mains plug is inserted properly.
 - ✓ The appliance is now ready for use.

5 Familiarising yourself with your appliance

5.1 Appliance

You can find an overview of the parts of your appliance here.

→ Fig. **1**

| | |
|----------|--|
| A | Refrigerator compartment → Page 24 |
| B | Freezer compartment → Page 24 |
| 1 | Lighting |
| 2 | Snack container → Page 17 |
| 3 | Interior ventilation opening |
| 4 | Temperature controller (storage container) → Page 19 |
| 5 | Rating plate → Page 34 |
| 6 | Storage container → Page 17 |
| 7 | Fruit and vegetable container with humidity control → Page 18 |



| | |
|-----------|---|
| 8 | Frozen food container → <i>Page 28</i> |
| 9 | Screw foot |
| 10 | Butter and cheese compartment → <i>Page 18</i> |
| 11 | Control panel → <i>Page 17</i> |
| 12 | Door storage compartment for large bottles → <i>Page 18</i> |


Note: Deviations between your appliance and the diagrams may differ with regard to their features and size.

5.2 Control panel

You can use the control panel to configure all functions of your appliance and to obtain information about the operating status.

→ *Fig. 2*

| | |
|----------|--|
| 1 | Displays the set temperature for the refrigerator compartment in °C. |
| 2 | Displays the set temperature for the freezer compartment in °C. |
| 3 | alarm switches the warning signal off. |
| 4 |  switches the connection to the WLAN home network (Wi-Fi) on or off. |
| 5 | The light bar provides visual feedback. |
| 6 | eco switches energy-saving mode on or off. |
| 7 | holiday switches holiday mode on or off. |
| 8 | fresh switches freshness mode on or off. |
| 9 |  switches the appliance on or off. |

| | |
|-----------|---|
| 10 |  lights up if user-defined settings have been set via the Home Connect app. You can find more information in the Home Connect app. |
| 11 | super (Freezer compartment) switches Super freezing on or off. |
| 12 | super (Refrigerator compartment) switches Super cooling on or off. |

6 Features

The features of your appliance depend on the model.

6.1 Shelf

In order to achieve an improved overview and to remove food more quickly, pull out the shelf.

To vary the shelf as required, you can remove the shelf and re-insert it elsewhere.

→ *"Removing the shelf", Page 27*

6.2 Snack container

Store packaged food or small snacks in the snack container.

You can remove the snack container.

To do this, pull out and remove the snack container. You can move the holder for the snack container.

→ *Fig. 3*

6.3 Storage container

The temperatures in the storage container are lower than in the refrigerator compartment. Temperatures below 0 °C may occur occasionally.

In order to reach temperatures close to 0 °C in the storage container, set the refrigerator compartment temperature to 2 °C. → *Page 19*



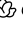
Use the lower temperatures in the storage container to store highly perishable food, e.g. fish, meat and sausages.

6.4 Fruit and vegetable container with humidity control

Store fresh fruit and vegetables loose in the fruit and vegetable container. Cover any chopped fruit and vegetables, or store in air-tight packaging. You can adjust the humidity in the fruit and vegetable container using the humidity controller and a special seal. This allows fresh fruit and vegetables to be stored for up to twice as long as with conventional storage.

→ Fig. **4**

The air humidity in the fruit and vegetable container can be set according to the type and amount of food to be stored by pressing the humidity controller:

- Low humidity  required when primarily storing fruit or mixed items, or if the appliance is very full.
- High humidity   required when primarily storing vegetables or when the appliance is not very full.

Condensation may form in the fruit and vegetable container depending on the food and quantity stored. Remove the condensation with a dry cloth and adjust the air humidity to a lower setting using the humidity controller.

To ensure that the quality and aroma are retained, store fruit and vegetables that are sensitive to cold outside of the appliance at temperatures of approx. 8 °C to 12 °C, e.g. pineapple, bananas, citrus fruits, cucumbers, courgettes, peppers, tomatoes and potatoes.

6.5 Butter and cheese compartment

Store butter and hard cheese in the butter and cheese compartment.

6.6 Door rack

To adjust the door rack as required, you can remove the door rack and re-insert elsewhere.

→ "Removing door rack", Page 27

6.7 Accessories

Use original accessories. These have been made especially for your appliance.

The accessories for your appliance depend on the model.

Egg tray

Store eggs safely on the egg tray.

Bottle holder

The bottle holder prevents bottles from falling over when the appliance door is opened and closed.

→ Fig. **5**

Ice cube tray

Use the ice cube tray to make ice cubes.

Making ice cubes

Use only drinking water to make ice cubes.

1. Fill the ice cube tray with drinking water up to $\frac{3}{4}$ and place in the freezer compartment.

If the ice cube tray is stuck to the freezer compartment, loosen it with a blunt implement only (e.g. spoon handle).

2. To loosen the ice cubes, twist the ice cube tray slightly or hold it briefly under flowing water.

7 Basic operation

7.1 Switching on the appliance

1. Electrically connect the appliance.
→ Page 16

Note: If the appliance has been previously switched off using the control panel, press and hold ① for three seconds.

- ✓ The appliance begins to cool.
 - ✓ A warning signal sounds and the temperature display flashes because the freezer compartment is still too warm.
2. Switch off the warning tone using **alarm**.
 - ✓ **alarm** goes out as soon as the set temperature has been reached.
 3. Set the required temperature.
→ Page 19

7.2 Operating tips

- Once you have switched on the appliance, the set temperature is only reached after several hours. Do not put any food in the appliance until the set temperature has been reached.
- The front panels of the housing are temporarily heated slightly. This prevents condensation in the area of the door seal.
- When you close the door, a vacuum may be created. The door is then difficult to open again. Wait a moment until the vacuum is offset.
- The temperature in the appliance varies due to the following conditions:
 - How often the appliance is opened
 - Load capacity

- Temperature of newly stored food
- Ambient temperature
- Direct sunlight

7.3 Switching off the appliance

- ▶ Press and hold ① for three seconds.

7.4 Setting the temperature

Setting the refrigerator compartment temperature

- ▶ Press the required temperature.
To reach the set temperature, slide the temperature controller for the storage container to a position that is one third from the bottom.
→ Page 19
The recommended temperature in the refrigerator compartment is 4 °C.

Setting the storage container temperature

1. To reduce the temperature, slide the temperature controller in the **extra cold** direction.
2. To increase the temperature, slide the temperature controller in the **cold** direction.

→ Fig. 6

Setting the freezer compartment temperature

- ▶ Press the required temperature.
The recommended temperature in the freezer compartment is -18 °C.

8 Additional functions

Find out which additional functions can be used for your appliance.

8.1 Super cooling

With Super cooling, the refrigerator compartment cools as cold as possible.

Switch on Super cooling before placing large quantities of food.

Note: When Super cooling is switched on, increased noise may occur.

Switching on Super cooling

- ▶ Press **super** (Refrigerator compartment).
- ✓ **super** (Refrigerator compartment) lights up.

Note: After approx. 6 hours, the appliance switches to normal operation.

Switching off Super cooling

- ▶ Press **super** (Refrigerator compartment).

8.2 Super freezing

With Super freezing, the freezer compartment cools as cold as possible.

Switch on Super freezing four to six hours before placing food weighing 2 kg or more into the freezer compartment.

In order to utilise the freezer capacity, use Super freezing.

→ "Prerequisites for freezing capacity", Page 25

Note: When Super freezing is switched on, increased noise may occur.

Switching on Super freezing

- ▶ Press **super** (Freezer compartment).
- ✓ **super** (Freezer compartment) lights up.

Note: After approx. 54 hours, the appliance switches to normal operation.

Switching off Super freezing

- ▶ Press **super** (Freezer compartment).

8.3 Holiday mode

If you are going to be away for a long time, you can switch on energy-saving holiday mode on the appliance.

CAUTION

Risk of harm to health!

The refrigerator compartment heats up while the holiday mode is switched on. The increased temperature may cause bacteria to increase and spoil the food.

- ▶ When the holiday mode is switched on, do not store any food in the refrigerator compartment.

The appliance automatically sets the temperatures.

| | |
|--------------------------|-------------------------------|
| Refrigerator compartment | 14 °C |
| Freezer compartment | Temperature remains unchanged |

Switching on holiday mode

- ▶ Press **holiday**.
- ✓ **holiday** lights up.

Switching off holiday mode

- ▶ Press **holiday**.

8.4 Energy-saving mode

You can set the appliance to save energy with the energy-saving mode. The appliance automatically sets the temperatures.

| | |
|--------------------------|--------|
| Refrigerator compartment | 8 °C |
| Freezer compartment | -16 °C |

Switching on energy-saving mode

- ▶ Press **eco**.
- ✓ **eco** lights up.

Switching off energy-saving mode

- ▶ Press **eco**.

8.5 Freshness mode

In order to keep the food fresh for longer, you can switch on the freshness mode on the appliance. The appliance automatically sets the temperatures.

| | |
|--------------------------|-------------------------------|
| Refrigerator compartment | 2 °C |
| Freezer compartment | Temperature remains unchanged |

Switching freshness mode on

- ▶ Press **fresh**.
- ✓ **fresh** lights up.

Switching off freshness mode

- ▶ Press **fresh**.

9 Alarm

9.1 Door alarm

If the appliance door is open for a while, the door alarm switches on. A warning tone sounds, **alarm** flashes, the light bar flashes and the temperature display for the affected compartment flashes.

Switching off the door alarm

- ▶ Close the appliance door or press **alarm**.
- ✓ The warning tone is switched off.

9.2 Temperature alarm

If the freezer compartment becomes too warm, the temperature alarm is switched on.

A warning tone sounds and the set temperature (freezer compartment), **alarm** and the light bar flash.

CAUTION Risk of harm to health!

During the thawing process, bacteria may multiply and spoil the frozen food.

- ▶ Do not refreeze food after it has been defrosted or started to defrost.
- ▶ Refreeze food only after cooking.
- ▶ These items should no longer be stored for the maximum storage period.

The temperature alarm can be switched on in the following cases:

- The appliance is switched on. Do not store any food until the appliance has reached the set temperature.
- Large quantities of fresh food are being placed inside.

Switch on Super freezing before placing large quantities of food in the appliance.

- The freezer compartment door is open for too long.
Check whether the frozen food has defrosted or thawed.

Switching off the temperature alarm

- ▶ Press **alarm**.
- ✓ The warning tone is switched off.

10 Home Connect

This appliance is network-capable. Connect your appliance to a mobile device to control its functions via the Home Connect app.

The Home Connect services are not available in every country. The availability of the Home Connect function depends on the availability of Home Connect services in your country. You can find information about this at: www.home-connect.com.

To be able to use Home Connect, you must first set up the connection to the WLAN home network (Wi-Fi¹) and to the Home Connect app.

After switching on the appliance, wait at least 2 minutes until internal device initialisation is complete. Only then should you set up Home Connect.

The Home Connect app guides you through the entire login process. Follow the instructions in the Home Connect app to configure the settings.

Tips

- Please consult the documents supplied by Home Connect.
- Please also follow the instructions in the Home Connect app.

Notes

- Please note the safety precautions in this instruction manual and make sure that they are also observed when operating the appliance via the Home Connect app.
→ "Safety", Page 8
- Operating the appliance on the appliance itself always takes priority. During this time it is not possible to operate the appliance using the Home Connect app.

10.1 Setting up the Home Connect app

1. Install the Home Connect app on your mobile device.



2

2. Start the Home Connect app and set up access for Home Connect.
The Home Connect app guides you through the entire login process.

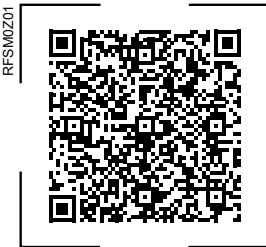
¹ Wi-Fi is a registered trademark of the Wi-Fi Alliance.

² Apple App Store und the Apple App Store logo are trademarks of Apple Inc. Google Play and the Google Play logo are trademarks of Google LLC.

10.2 Setting up Home Connect

Requirements

- The Home Connect app has been installed on your mobile device.
 - The appliance is receiving signals from the WLAN home network (Wi-Fi) at its installation location.
1. Open the Home Connect app and scan the following QR code.



2. Follow the instructions in the Home Connect app.

10.3 Switching on the connection to the WLAN home network (Wi-Fi)

- ▶ Press .

10.4 Switching off the connection to the WLAN home network (Wi-Fi)

- ▶ Press .


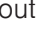
10.5 Installing updates for the Home Connect software

Note: If an update of the Home Connect software is available, a message appears in the Home Connect app.

- ▶ To install the update for the Home Connect software, follow the instructions in the Home Connect app.
- ✓ The control panel is partially locked during the installation.

10.6 Resetting Home Connect settings

If your appliance experiences connection problems with the WLAN home network (Wi-Fi) or your appliance wants to log into a different WLAN home network (Wi-Fi), you can reset the Home Connect settings.

- ▶ Press and hold  for six seconds until  goes out.
- ✓ The Home Connect settings have been reset.

10.7 Data protection

Please see the information on data protection.

The first time your appliance is registered on a home network connected to the Internet, your appliance will transmit the following types of data to the Home Connect server (initial registration):

- Unique appliance identification (consisting of appliance codes as well as the MAC address of the Wi-Fi communication module installed).
- Security certificate of the Wi-Fi communication module (to ensure a secure data connection).
- The current software and hardware version of your appliance.
- Status of any previous reset to factory settings.

This initial registration prepares the Home Connect functions for use and is only required when you want to use the Home Connect functions for the first time.

Note: Please note that the Home Connect functions can only be utilised with the Home Connect app. Information on data protection can be retrieved in the Home Connect app.

11 Refrigerator compartment

You can keep meat, sausage, fish, dairy products, eggs, prepared meals and pastries in the refrigerator compartment.

The temperature can be set from 2 °C to 8 °C.

The refrigerator compartment can also be used to store highly perishable foods in the short to medium term. The lower the selected temperature, the longer the food remains fresh.

11.1 Tips for storing food in the refrigerator compartment

- Only store food when fresh and undamaged.
- Store food covered or in air-tight packaging.
- To avoid impeding the circulation of air and to prevent food from freezing, do not place food in front of the inner ventilation openings or in direct contact with the back wall.
- Allow hot food and drinks to cool down first before placing in the appliance.
- Observe the best-before date or use-by date specified by the manufacturer.

11.2 Chill zones in the refrigerator compartment

The air circulation in the refrigerator compartment creates different chill zones.

Coldest zone

The coldest zone is in the storage container.

Tip: Store highly perishable food such as fish, sausages and meat in the coldest zone.

Warmest zone

The warmest zone is at the very top of the door.

Tip: Store food that does not spoil easily in the warmest zone, e.g. hard cheese and butter. Cheese can then continue to release its aroma and the butter will still be easy to spread.

12 Freezer compartment

You can store frozen food, freeze food and make ice cubes in the freezer compartment.

The temperature can be set from -16 °C to -24 °C.

Long-term storage of food should be at -18 °C or lower.

The freezer compartment can be used to store perishable food long-term. The low temperatures slow down or stop the spoilage.

12.1 Freezing capacity

The freezing capacity indicates the quantity of food that can be frozen right through to the centre within a specific period of time. Information on freezing capacity can be found on the rating plate.

→ Fig. **1** / **5**

Prerequisites for freezing capacity

1. Approx. 24 hours before placing fresh food in the appliance, switch on Super freezing.
→ "Switching on Super freezing", Page 20
2. Place food in the bottom frozen food container first.

12.2 Fully utilising the freezer compartment volume

Learn how to store the maximum amount of frozen food in the freezer compartment.

1. Remove all fittings from the freezer compartment. → Page 27
2. Store food directly on the shelves and on the floor of the freezer compartment.

12.3 Tips for storing food in the freezer compartment

- Store food in air-tight packaging.
- Do not bring food which is to be frozen into contact with frozen food.
- Place the food over the whole area of the frozen food containers.
- To ensure that the air can circulate freely in the appliance, push the frozen food containers in as far as they will go.

12.4 Tips for freezing fresh food

- Freeze fresh and undamaged food only.
- Freeze food in portions.
- Cooked food is more suitable than food that can be eaten raw.
- Vegetables: Wash, chop up and blanch before freezing.

- Fruit: Wash, pit and perhaps peel, possibly add sugar or ascorbic acid solution.
- Food that is suitable for freezing includes baked items, fish and seafood, meat, game, poultry, eggs without shells, cheese, butter and quark, ready meals and leftovers.
- Food that is unsuitable for freezing includes lettuce, radishes, eggs in shells, grapes, raw apples and pears, yoghurt, sour cream, crème fraîche and mayonnaise.

Packing frozen food

If you select suitable packaging material and the correct type of packaging, you can determine the product quality and prevent freezer burn.

1. Place the food in the packaging.
2. Squeeze out the air.
3. Pack food airtight to prevent it from losing flavour and drying out.
4. Label the packaging with the contents and the date of freezing.

12.5 Shelf life of frozen food at -18 °C

| Food | Storage time |
|--|-----------------|
| Fish, sausages, prepared meals and baked goods | up to 6 months |
| Poultry, meat | up to 8 months |
| Vegetables, fruit | up to 12 months |

The imprinted freezer calendar indicates the maximum storage duration in months at a constant temperature of -18 °C.

12.6 Defrosting methods for frozen food

CAUTION

Risk of harm to health!

During the thawing process, bacteria may multiply and spoil the frozen food.

- ▶ Do not refreeze food after it has been defrosted or started to defrost.
- ▶ Refreeze food only after cooking.
- ▶ These items should no longer be stored for the maximum storage period.

- Defrost animal-based food, such as fish, meat, cheese, quark, in the refrigerator compartment.
- Defrost bread at room temperature.
- Prepare food for immediate consumption in the microwave, in the oven or on the hob.

13 Defrosting

13.1 Defrosting in the refrigerator compartment

The refrigerator compartment in your appliance defrosts automatically.

13.2 Defrosting in the freezer compartment

The fully automatic NoFrost system ensures that the freezer compartment remains frost-free. Defrosting is not required.

14 Cleaning and servicing

To keep your appliance working efficiently for a long time, it is important to clean and maintain it carefully. Customer Service must clean inaccessible points. Cleaning by customer service can give rise to costs.

14.1 Preparing the appliance for cleaning

1. Switch off the appliance.
→ *Page 19*
2. Disconnect the appliance from the power supply.
Unplug the appliance from the mains or switch off the circuit breaker in the fuse box.
3. Take out all of the food and store it in a cool place.
Place ice packs (if available) onto the food.
4. Remove all fittings and accessories from the appliance.
→ *Page 27*
5. Remove the partition. → *Page 28*

6. Remove the cover. → Page 28
7. Remove the shelf above the fruit and vegetable container.
→ Page 28

14.2 Cleaning the appliance

WARNING

Risk of electric shock!

An ingress of moisture can cause an electric shock.

- ▶ Do not use steam- or high-pressure cleaners to clean the appliance.

Liquid in the lighting, controls or inner ventilation openings can be dangerous.

- ▶ The rinsing water must not drip into the lighting, controls or inner ventilation openings.

ATTENTION!

Unsuitable cleaning products may damage the surfaces of the appliance.

- ▶ Do not use hard scouring pads or cleaning sponges.
- ▶ Do not use harsh or abrasive detergents.
- ▶ Do not use cleaning products with a high alcohol content.

If you clean fittings and accessories in the dishwasher, this may cause them to become deformed or discoloured.

- ▶ Never clean fittings and accessory in the dishwasher.

1. Prepare the appliance for cleaning.
→ Page 26
2. Clean the appliance, the fittings, the accessories, the components and the door seals with a dish cloth, lukewarm water and a little pH-neutral washing-up liquid.
3. Dry thoroughly with a soft, dry cloth.

4. Insert the fittings and install the appliance components.
5. Electrically connect the appliance.
→ Page 16
6. Putting the food into the appliance.

14.3 Removing the fittings

If you want to clean the fittings thoroughly, remove these from your appliance.

Removing the shelf

- ▶ Pull out and remove the shelf.
→ Fig. **7**

Removing the snack container with holder

1. Remove the snack container.
2. Remove the shelf with the holder.
3. Slide the holder sideways off the shelf.
→ Fig. **8**

Removing door rack

- ▶ Lift the door rack and remove it.
→ Fig. **9**

Removing the storage container

1. Pull out the storage container as far as it will go.
2. Lift the storage container at the front ① and remove it ②.
→ Fig. **10**

Removing the fruit and vegetable container

1. Pull out the fruit and vegetable container as far as it will go.
2. Lift the fruit and vegetable container at the front ① and remove it ②.
→ Fig. **11**

Removing the frozen food container

1. Take out the frozen food container as far as it will go.
2. Lift the frozen food container at the front ① and remove it ②.

→ Fig. 12

Removing the front of the container

You can remove the front of the fruit and vegetable container to facilitate cleaning.

- ▶ Press in the snap-in hooks on the side of the container ① and remove the front from the container in a turning motion ②.

→ Fig. 13

14.4 Removing appliance components

If you want to clean your appliance thoroughly, you can remove certain components from your appliance.

Partition and cover of the fruit and vegetable container

You can remove the partition and the cover of the fruit and vegetable container in order to clean it thoroughly.

Removing the partition

1. Remove the fruit and vegetable container.
2. Press the lever on the underside on both sides ① and pull the partition forwards ②.

→ Fig. 14

3. Lift the partition and swivel it out to the side.

Removing the cover

- ▶ Lift the cover of the fruit and vegetable container, pull it forwards and swivel it out to the side.

Fitting the partition and cover

1. Insert the cover for the fruit and vegetable container.
2. Set the humidity controller to a low humidity setting.
3. Insert the partition.

→ Fig. 15

Shelf above the fruit and vegetable container

You can remove the cover of the fruit and vegetable container in order to clean it thoroughly.

Removing the shelf above the fruit and vegetable container

1. Remove the fruit and vegetable container. → Page 27
2. Remove the storage container. → Page 27
3. Tilt the shelf above the fruit and vegetable container to the side ① and remove it ②.

→ Fig. 16

4. Lift the fruit and vegetable container cover ① and remove it ②.

→ Fig. 17

Fitting the shelf above the fruit and vegetable container

1. Clip the fruit and vegetable container cover in place.
2. Tilt the shelf above the fruit and vegetable container to one side to insert it ① and then lower ②.

→ Fig. 19

3. Move the humidity controller to the front.

→ Fig. 20

Make sure that the fruit and vegetable container cover sits in the opening under the humidity controller.

4. Insert the storage containers and the fruit and vegetable containers.
→ *Fig.* **21**

15 Troubleshooting

You can rectify minor faults on your appliance yourself. Read the troubleshooting information before contacting after-sales service. This will avoid unnecessary costs.

WARNING

Risk of electric shock!

Improper repairs are dangerous.

- ▶ Repairs to the appliance should only be carried out by trained specialist staff.
- ▶ Only use genuine spare parts when repairing the appliance.
- ▶ If the power cord or the appliance power cable of this appliance is damaged, it must be replaced with a special power cord or special appliance power cable, which is available from the manufacturer or its Customer Service.

| Fault | Cause and troubleshooting |
|---|---|
| The appliance is not cooling, the displays and lighting are lit. | Showroom mode is switched on. <ol style="list-style-type: none"> 1. Switch off the appliance. → <i>Page 19</i> 2. Wait 2 minutes. 3. Switch the appliance back on. → <i>Page 19</i> 4. Wait 1 minute and then press and hold super (Refrigerator compartment) until 4 audible signals have sounded. 5. After a short time, check whether your appliance is cooling. |
| The LED lighting does not work. | Different causes are possible. <ul style="list-style-type: none"> ▶ Call customer service. The customer service number can be found in the enclosed customer service directory. |
| Side panels of the appliance are warm. | Not a fault. The side panels contain pipes which heat up during the cooling process. Units touching the appliance will not be damaged by the heat. No action required. |
| Home Connect is not working properly. | Different causes are possible. <ul style="list-style-type: none"> ▶ Go to www.home-connect.com. |
| A warning tone sounds and the temperature display (refrigerator compartment), alarm and the light bar flash. | The refrigerator compartment door is open. <ul style="list-style-type: none"> ▶ Close the refrigerator compartment door. |
| The door alarm is switched on. | |

| Fault | Cause and troubleshooting |
|--|---|
| <p>A warning tone sounds and the temperature display (freezer compartment), alarm and the light bar flash.</p> <p>The door alarm is switched on.</p> | <p>The freezer compartment door is open.</p> <ul style="list-style-type: none"> ▶ Close the freezer compartment door. |
| <p>A warning tone sounds and the set temperature (freezer compartment), alarm and the light bar flash.</p> <p>The temperature alarm is switched on.</p> | <p>Different causes are possible.</p> <ul style="list-style-type: none"> ▶ Press alarm. ✓ The alarm is switched off. <p>External ventilation openings are covered up.</p> <ul style="list-style-type: none"> ▶ Remove any obstructions from in front of the external ventilation openings. |
| <p>The set temperature is not reached.</p> <p>Fully automatic defrosting no longer works.</p> | <p>Larger quantities of fresh food have been put in.</p> <ul style="list-style-type: none"> ▶ Do not exceed the max. freezing capacity. → "Freezing capacity", Page 24 |
| <p>The set temperature is not reached.</p> <p>Fully automatic defrosting no longer works.</p> | <p>The freezer compartment door was open for a long time. The evaporator (refrigeration unit) in the noFrost system is heavily iced up.</p> <p>Requirement: Store the frozen food well insulated in a cool place.</p> <ol style="list-style-type: none"> 1. Switch off the appliance. → Page 19 2. Disconnect the appliance from the mains. Unplug the appliance from the mains or switch off the circuit breaker in the fuse box. 3. Move the appliance away from the wall. 4. Leave the appliance door open. ✓ After approx. 20 minutes, the condensation starts to run into the evaporation pan at the rear of the appliance. → Fig. 22 5. To prevent the evaporation pan from overflowing, mop up the condensation water with a sponge. The evaporator is defrosted if no more condensation water runs into the evaporation pan. 6. Clean the interior of the appliance. → Page 27 7. Switch the appliance back on. → Page 19 |

| Fault | Cause and troubleshooting |
|---|---|
| The temperature differs greatly from the setting. | <p>Different causes are possible.</p> <ol style="list-style-type: none"> 1. Switch off the appliance. → <i>Page 19</i> 2. Switch the appliance back on after five minutes. → <i>Page 19</i> <ul style="list-style-type: none"> – If the temperature is too warm, check the temperature again after a couple of hours. – If the temperature is too cold, check the temperature again on the following day. |
| Condensation accumulates on the surface of the appliance and on the shelves inside. | <p>The water contained in warm and humid air condenses on the colder surfaces of the appliance.</p> <ol style="list-style-type: none"> 1. Wipe away the water with a soft, dry cloth. 2. Open the appliance as briefly as possible. 3. Ensure that the appliance is always closed properly. |
| The appliance hums, bubbles, buzzes, gargles, clicks or crackles. | <p>Not a fault. A motor is running, e.g. refrigerating unit, fan. Refrigerant flows through the pipes. The motor, switches or solenoid valves are switching on or off. Automatic defrosting is running. No action required.</p> |
| The appliance makes noises. | <p>The appliance is not level.</p> <ul style="list-style-type: none"> ▶ Align the appliance using a spirit level and the screw feet. <hr/> <p>The appliance is not free-standing.</p> <ul style="list-style-type: none"> ▶ Observe the minimum clearances for the appliance. <hr/> <p>Fittings wobble or stick.</p> <ul style="list-style-type: none"> ▶ Check the removable fittings and, if required, replace these. <hr/> <p>Bottles or containers are touching.</p> <ul style="list-style-type: none"> ▶ Move the bottles or containers away from each other. <hr/> <p>Super freezing is switched on. No action required.</p> |

15.1 Power failure

During a power failure, the temperature in the appliance rises; this reduces the storage time and the quality of the frozen food.

On the website for your appliance, the technical data provides you with the storage times for frozen food in the event of a fault.

Notes

- Open the appliance as little as possible during a power failure and do not place any other food in the appliance.
- Check the quality of the food immediately after a power failure.
 - Dispose of any frozen food that has defrosted and is hotter than 5 °C.
 - Cook or fry slightly thawed frozen food, and then either consume it or freeze it again.

15.2 Conducting an appliance self-test

Your appliance has an appliance self-test which displays faults that can be eliminated by your customer service.

1. Switch off the appliance.
→ *Page 19*
 2. Disconnect the appliance from the power supply.
Unplug the appliance from the mains or switch off the circuit breaker in the fuse box.
 3. Electrically reconnect the appliance after five minutes. → *Page 16*
 4. One minute after connecting to the power supply, press and hold **super** (Refrigerator compartment) for 3 to 5 seconds until a second audible signal sounds.
- ✓ If, at the end of the appliance self-test, two audible signals sound and the temperature display indic-

ates the set temperature, your appliance is OK. The appliance switches to normal operation.

- ✓ If, at the end of the appliance self-test, 5 audible signals sound and the temperature display LEDs light up with a different brightness, inform customer service. The LEDs provide customer service with information about this fault.

16 Storage and disposal

16.1 Taking the appliance out of operation

1. Switch off the appliance.
→ *Page 19*
2. Disconnect the appliance from the power supply.
Unplug the appliance from the mains or switch off the circuit breaker in the fuse box.
3. Remove all of the food.
4. Clean the appliance. → *Page 27*
5. To guarantee the ventilation inside the appliance, leave the appliance open.

16.2 Disposing of old appliance

Valuable raw materials can be re-used by recycling.

WARNING **Risk of harm to health!**

Children can lock themselves in the appliance, thereby putting their lives at risk.

- ▶ Leave shelves and containers inside the appliance to prevent children from climbing in.
- ▶ Keep children away from the redundant appliance.

⚠ WARNING
Risk of fire!

If the tubes are damaged, flammable refrigerant and harmful gases may escape and ignite.

- ▶ Do not damage the tubes of the refrigerant circuit or the insulation.

1. Unplug the appliance from the mains.
2. Cut through the power cord.
3. Dispose of the appliance in an environmentally friendly manner.

Information about current disposal methods are available from your specialist dealer or local authority.



This appliance is labelled in accordance with European Directive 2012/19/EU concerning used electrical and electronic appliances (waste electrical and electronic equipment - WEEE). The guideline determines the framework for the return and recycling of used appliances as applicable throughout the EU.

17 Customer Service

Detailed information on the warranty period and terms of warranty in your country is available from our after-sales service, your retailer or on our website.

If you contact Customer Service, you will require the product number (E-Nr.), the production number (FD) and the consecutive numbering (Z-Nr.) of your appliance.

The contact details for Customer Service can be found in the enclosed Customer Service directory or on our website.

17.1 Product number (E-Nr.), production number (FD) and consecutive numbering (Z-Nr.)

You can find the product number (E-Nr.), the production number (FD) and the consecutive numbering (Z-Nr.) on the appliance's rating plate.

→ Fig. 1 / 5

Make a note of your appliance's details and the Customer Service telephone number to find them again quickly.

18 Technical data

Refrigerant, cubic capacity and further technical specifications can be found on the rating plate.

→ Fig. 1 / 5

18.1 Information regarding Free and Open Source Software

This product includes software components that are licensed by the copyright holders as free or open source software.

The applicable licence information is stored on your home appliance. You can also access the applicable licence information via your Home Connect app: "Profile -> Legal information -> Licence Information".¹ You can download the licence information on the brand product website. (Please search on the product

¹ Depending on the appliance specifications

website for your appliance model and additional documents). Alternatively, you can request the relevant information from oss-

request@bshg.com or BSH Hausgeräte GmbH, Carl-Wery-Str. 34, 81739 Munich, Germany.

The source code will be made available to you on request.

Please send your request to oss-request@bshg.com or BSH Hausgeräte GmbH, Carl-Wery-Str.34, 81739 Munich, Germany.

Subject: „OSSREQUEST“

The cost of performing your request will be charged to you. This offer is valid for three years from the date of purchase or at least as long as we offer support and spare parts for the relevant appliance.

19 Declaration of Conformity

BSH Hausgeräte GmbH hereby declares that the appliance with Home Connect functionality conforms to the essential requirements and other relevant provisions of Directive 2014/53/EU.

A detailed RED Declaration of Conformity can be found online at www.bosch-home.com among the additional documents on the product page for your appliance.



2.4 GHz band (2400–2483.5 MHz):
Max. 100 mW
5-GHz band (5150–5350 MHz +
5470–5725 MHz): max. 130 mW



| | | | | | | | | |
|----|----|----|----|----|---------|----|----|----|
| BE | BG | CZ | DK | DE | EE | IE | EL | ES |
| FR | HR | IT | CY | LI | LV | LT | LU | HU |
| MT | NL | AT | PL | PT | RO | SI | SK | FI |
| SE | NO | CH | TR | IS | UK (NI) | | | |

5 GHz WLAN (Wi-Fi): For indoor use only.

| | | | | | | | |
|----|----|----|----|----|----|----|----|
| AL | BA | MD | ME | MK | RS | UK | UA |
|----|----|----|----|----|----|----|----|

5 GHz WLAN (Wi-Fi): For indoor use only.

Pour plus d'informations, veuillez vous reporter au Guide de l'utilisateur numérique.



Table des matières

| | | | |
|--|-----------|--|-----------|
| 1 Sécurité..... | 38 | | |
| 1.1 Indications générales | 38 | 6.4 Bac à fruits et légumes avec régulateur d'humidité | 49 |
| 1.2 Utilisation conforme..... | 38 | 6.5 Casier à beurre et à fromage.. | 50 |
| 1.3 Restrictions du périmètre utilisateurs | 38 | 6.6 Compartiment dans la contreporte | 50 |
| 1.4 Prescriptions-d'hygiène-alimentaire..... | 39 | 6.7 Accessoires..... | 50 |
| 1.5 Transport sûr | 39 | 7 Utilisation | 50 |
| 1.6 Installation sûre | 40 | 7.1 Allumer l'appareil | 50 |
| 1.7 Utilisation sûre..... | 41 | 7.2 Remarques concernant le fonctionnement de l'appareil... .. | 50 |
| 1.8 Appareil endommagé..... | 43 | 7.3 Éteindre l'appareil..... | 51 |
| 2 Prévenir les dégâts matériels... .. | 45 | 7.4 Régler la température | 51 |
| 3 Protection de l'environnement et économies d'énergie | 45 | 8 Fonctions additionnelles | 51 |
| 3.1 Élimination de l'emballage | 45 | 8.1 Super-réfrigération | 51 |
| 3.2 Économies d'énergie | 45 | 8.2 Super-congélation | 52 |
| 4 Installation et branchement..... | 46 | 8.3 Mode Vacances | 52 |
| 4.1 Contenu de la livraison | 46 | 8.4 Mode économie d'énergie | 52 |
| 4.2 Critères pour le lieu d'installation | 47 | 8.5 Mode Fraîcheur | 52 |
| 4.3 Monter l'appareil..... | 47 | 9 Alarme..... | 53 |
| 4.4 Préparation de l'appareil pour la première utilisation..... | 47 | 9.1 Alarme de porte | 53 |
| 4.5 Raccordement électrique de l'appareil..... | 47 | 9.2 Alarme de température | 53 |
| 5 Description de l'appareil..... | 48 | 10 Home Connect | 53 |
| 5.1 Appareil | 48 | 10.1 Configurer l'appli Home Connect | 54 |
| 5.2 Bandeau de commande | 48 | 10.2 Configurer Home Connect | 54 |
| 6 Équipement | 49 | 10.3 Activer la connexion au réseau domestique WLAN (Wi-Fi) | 55 |
| 6.1 Clayette..... | 49 | 10.4 Désactiver la connexion au réseau domestique WLAN (Wi-Fi) | 55 |
| 6.2 Bac à snacks..... | 49 | 10.5 Installez la mise à jour du logiciel Home Connect..... | 55 |
| 6.3 Bac de rangement..... | 49 | | |

| | | | |
|---|-----------|--|-----------|
| 10.6 Réinitialisez les réglages Home Connect | 55 | 16 Entreposage et élimination | 66 |
| 10.7 Protection des données | 55 | 16.1 Mise hors service de l'appareil..... | 66 |
| 11 Compartiment réfrigération | 56 | 16.2 Mettre au rebut un appareil usagé..... | 67 |
| 11.1 Conseils pour ranger des produits alimentaires dans le compartiment réfrigération..... | 56 | 17 Service après-vente | 67 |
| 11.2 Zones froides dans le compartiment réfrigération | 56 | 17.1 Numéro de produit (E-Nr.), numéro de fabrication (FD) et numéro de série (Z-Nr.)..... | 67 |
| 12 Compartiment congélation | 56 | 18 Caractéristiques techniques .. | 68 |
| 12.1 Capacité de congélation | 57 | 18.1 Informations concernant les logiciels libres et open source..... | 68 |
| 12.2 Utiliser l'intégralité du volume du compartiment congélation..... | 57 | 19 Déclaration de conformité | 68 |
| 12.3 Conseils pour ranger des aliments dans le compartiment congélation..... | 57 | | |
| 12.4 Conseils pour congeler des aliments frais | 57 | | |
| 12.5 Durée de conservation du produit congelé à -18 °C | 58 | | |
| 12.6 Méthodes de décongélation pour aliments congelés.. | 58 | | |
| 13 Dégivrage | 58 | | |
| 13.1 Dégivrage du compartiment réfrigérateur | 58 | | |
| 13.2 Décongélation dans le compartiment congélation..... | 58 | | |
| 14 Nettoyage et entretien | 58 | | |
| 14.1 Préparer l'appareil pour le nettoyage..... | 58 | | |
| 14.2 Nettoyage de l'appareil | 59 | | |
| 14.3 Retirer les pièces d'équipement..... | 59 | | |
| 14.4 Démontage des pièces de l'appareil | 60 | | |
| 15 Dépannage | 62 | | |
| 15.1 Panne de courant..... | 66 | | |
| 15.2 Effectuer l'auto-test de l'appareil..... | 66 | | |



1 Sécurité

Respectez les consignes de sécurité suivantes.

1.1 Indications générales

- Lisez attentivement cette notice.
- Conservez la notice ainsi que les informations produites en vue d'une réutilisation ultérieure ou pour un futur nouveau propriétaire.
- Ne branchez pas l'appareil si ce dernier a été endommagé durant le transport.

1.2 Utilisation conforme

Utilisez l'appareil uniquement :

- pour réfrigérer et congeler des aliments, et pour préparer des glaçons.
- pour un usage privé et dans les pièces fermées d'un domicile.
- jusqu'à une altitude maximale de 2 000 m au-dessus du niveau de la mer.

1.3 Restrictions du périmètre utilisateurs

Les enfants de 8 ans et plus, les personnes souffrant d'un handicap physique, sensoriel ou mental ou ne détenant pas l'expérience et/ou les connaissances nécessaires pourront utiliser cet appareil à condition de le faire sous surveillance, ou que son utilisation sûre leur ait été enseignée et qu'ils aient compris les dangers qui en émanent.

Les enfants ne sont pas autorisés à jouer avec l'appareil.

Le nettoyage de l'appareil, et l'entretien par l'utilisateur, sont des activités que les enfants ne peuvent pas effectuer sans surveillance.

1.4 Prescriptions-d'hygiène-alimentaire

Conformément à la réglementation française visant à empêcher la présence de listeria dans le compartiment réfrigérateur, nous vous remercions de respecter les consignes suivantes.

- Nettoyez fréquemment le compartiment intérieur du réfrigérateur à l'aide d'un détergent non agressif, ne provoquant pas d'oxydation des pièces métalliques (utilisez par ex. de l'eau tiède additionnée d'un peu de produit à vaisselle).
Ensuite, désinfectez avec de l'eau additionnée de vinaigre ou de jus de citron les surfaces que vous avez préalablement nettoyées, ou utilisez un produit germicide en vente dans le commerce et adapté aux réfrigérateurs (avant d'utiliser ce produit sur les pièces métalliques, faites un test de compatibilité à un endroit peu visible).
- Enlevez les emballages commerciaux avant de mettre les produits alimentaires dans le compartiment réfrigérateur (par ex. le carton qui réunit les pots de yaourt).
- Pour éviter toute contamination entre des produits alimentaires de nature différente, rangez-les bien séparés les uns des autres, bien emballés ou rangés dans des récipients à couvercle.
- Avant de préparer des plats et de saisir des produits alimentaires, lavez-vous les mains. Avant de préparer d'autres plats, lavez-vous à nouveau les mains. Lavez-les encore une fois avant de prendre un repas.
- Lavez les ustensiles de cuisine dont vous venez de vous servir avant de les réutiliser (cuillère en bois, planche de découpe, couteau de cuisine, etc.).

1.5 Transport sûr

AVERTISSEMENT – Risque de blessure !

Le soulèvement du poids élevé de l'appareil peut entraîner des blessures.

- ▶ Ne soulevez jamais seul l'appareil.

1.6 Installation sûre

⚠ AVERTISSEMENT – Risque d'électrocution !

Les installations non conformes sont dangereuses.

- ▶ Pour le raccordement et l'utilisation de l'appareil, respectez impérativement les indications figurant sur la plaque signalétique.
- ▶ L'appareil doit être branché uniquement à une source d'alimentation avec courant alternatif à l'aide d'une prise murale correctement installée et reliée à la terre.
- ▶ Le système à conducteur de protection de l'installation électrique de la maison doit être conforme.
- ▶ N'alimentez jamais l'appareil par l'intermédiaire d'un appareil de commutation externe, par ex. une minuterie ou une télécommande.
- ▶ Si l'appareil est encastré, la fiche du cordon d'alimentation secteur doit être librement accessible ou, si un accès libre est impossible, un dispositif de sectionnement doit être installé dans l'installation électrique fixe, conformément aux réglementations d'installation.
- ▶ Lors de l'installation de l'appareil, veiller à ce que le cordon d'alimentation secteur ne soit pas coincé ni endommagé.

Le cordon d'alimentation pose un danger si sa gaine de protection est endommagée.

- ▶ Ne mettez jamais en contact le cordon d'alimentation avec des sources de chaleur.

⚠ AVERTISSEMENT – Risque d'explosion !

Si les orifices de ventilation de l'appareil sont fermés, un mélange gaz-air inflammable peut se produire si le circuit de réfrigération fuit.

- ▶ Ne fermez pas les orifices de ventilation dans le boîtier de l'appareil ou dans le boîtier d'installation.

⚠ AVERTISSEMENT – Risque d'incendie !

Il est dangereux d'utiliser un cordon d'alimentation secteur avec une rallonge ou un adaptateur non autorisé.

- ▶ Ne pas utiliser de rallonge ni de bloc multiprise.

- ▶ Utiliser uniquement des adaptateurs et cordons d'alimentation secteur agréés par le fabricant.
- ▶ Si le cordon d'alimentation secteur est trop court et qu'aucun cordon d'alimentation plus long n'est disponible, contacter un électricien spécialisé pour adapter l'installation domestique.

Les blocs multiprises ou blocs secteur mobiles peuvent surchauffer et provoquer un incendie.

- ▶ Ne placez pas les blocs multiprises ou blocs secteur mobiles à l'arrière des appareils.

1.7 Utilisation sûre

⚠ AVERTISSEMENT – Risque d'électrocution !

L'infiltration d'humidité peut occasionner un choc électrique.

- ▶ Utiliser l'appareil uniquement dans des pièces fermées.
- ▶ Ne jamais exposer l'appareil à une forte chaleur ou humidité.
- ▶ Ne pas utiliser de nettoyeur vapeur ou haute pression pour nettoyer l'appareil.

⚠ AVERTISSEMENT – Risque d'asphyxie !

Les enfants risquent de s'envelopper dans les matériaux d'emballage ou de les mettre sur la tête et de s'étouffer.

- ▶ Conserver les matériaux d'emballage hors de portée des enfants.
- ▶ Ne jamais laisser les enfants jouer avec les emballages.

Les enfants risquent d'inhaler ou d'avalier des petits morceaux et s'étouffer.

- ▶ Conserver les petites pièces hors de portée des enfants.
- ▶ Ne pas laisser les enfants jouer avec les petites pièces.

⚠ AVERTISSEMENT – Risque d'explosion !

L'endommagement du circuit de réfrigération peut provoquer la fuite et l'explosion du fluide frigorigène inflammable.

- ▶ Pour accélérer le dégivrage, n'utilisez pas d'autres équipements mécaniques ou d'autres produits que ceux recommandés par le fabricant.
- ▶ Détachez les aliments congelés à l'aide d'un objet émoussé, par exemple le manche d'une cuillère en bois.

Des produits contenant des gaz propulseurs inflammables et des matières explosives peuvent exploser, par ex. bombes aérosols.

- ▶ Ne pas stocker de produits contenant des gaz propulseurs inflammables et des matières explosives dans l'appareil.

⚠ AVERTISSEMENT – Risque d'incendie !

Les appareils électriques à l'intérieur de l'appareil peuvent provoquer un incendie, par ex. appareils de chauffage ou fabriques de glace électriques.

- ▶ N'utilisez aucun appareil électrique à l'intérieur de l'appareil.

⚠ AVERTISSEMENT – Risque de blessure !

Les récipients contenant des boissons gazeuses risquent d'éclater.

- ▶ Ne jamais ranger de boissons gazeuses dans le compartiment congélation.

Lésions oculaires dues à la fuite de fluide frigorigène inflammable et de gaz nocifs.

- ▶ Veillez à ne pas endommager les tubulures du circuit frigorigère, ni l'isolant.

L'appareil peut basculer.

- ▶ Ne jamais se servir du socle, des glissières ou des portes comme marchepied et ne pas s'appuyer dessus.

⚠ AVERTISSEMENT – Risque de brûlures !

Certaines pièces à l'arrière de l'appareil deviennent très chaudes en service.

- ▶ Ne touchez jamais les pièces chaudes.

⚠ AVERTISSEMENT – Risque de brûlures par le froid !

Un contact avec les produits congelés et les surfaces froides peut entraîner des brûlures par le froid.

- ▶ Ne portez jamais des produits surgelés à la bouche immédiatement après les avoir sortis du compartiment congélation.
- ▶ Évitez tout contact prolongé de la peau avec les produits congelés, la glace et les surfaces métalliques présents dans le compartiment congélation.

⚠ PRUDENCE – Risque de préjudice pour la santé !

Pour éviter toute contamination des produits alimentaires, respecter les instructions suivantes.

- ▶ L'ouverture prolongée de la porte peut entraîner une importante augmentation de la température dans les compartiments de l'appareil.
- ▶ Nettoyer régulièrement les surfaces qui peuvent entrer en contact avec des produits alimentaires et systèmes d'écoulement accessibles.
- ▶ Conserver la viande et le poisson crus dans des récipients appropriés dans le compartiment réfrigération de sorte qu'ils ne soient pas en contact avec d'autres aliments et qu'ils ne coulent pas dessus.
- ▶ Si le réfrigérateur/congélateur reste vide pendant une longue période, éteindre l'appareil, le dégivrer, le nettoyer et laisser la porte ouverte, afin d'éviter la formation de moisissures.

Les pièces métalliques ou d'aspect métallique de l'appareil peuvent contenir de l'aluminium. Si des aliments acides entrent en contact avec de l'aluminium, des ions d'aluminium peuvent être transférés dans les aliments.

- ▶ Ne consommez pas les aliments contaminés.

1.8 Appareil endommagé

⚠ AVERTISSEMENT – Risque d'électrocution !

Un appareil endommagé ou un cordon d'alimentation secteur endommagé est dangereux.

- ▶ N'utilisez jamais un appareil endommagé.
- ▶ Ne tirez jamais sur le cordon d'alimentation secteur pour débrancher l'appareil du secteur. Débranchez toujours la fiche du cordon d'alimentation secteur.
- ▶ Si l'appareil ou le cordon d'alimentation secteur est endommagé, débranchez immédiatement le cordon d'alimentation secteur ou coupez le fusible dans le boîtier à fusibles.
- ▶ Appelez le service après-vente. → Page 67

Les réparations non conformes sont dangereuses.

- ▶ Seul un personnel dûment qualifié peut entreprendre des réparations sur l'appareil.
- ▶ Seules des pièces de rechange d'origine peuvent être utilisées pour réparer l'appareil.
- ▶ Si le cordon d'alimentation secteur ou le cordon de raccordement de cet appareil est endommagé, il doit être remplacé par un cordon d'alimentation ou de raccordement spécifique qui est disponible auprès du fabricant ou de notre service après-vente.

⚠ AVERTISSEMENT – Risque d'incendie !



En cas d'endommagement des tuyaux, du fluide frigorigène inflammable et des gaz nocifs peuvent s'échapper et s'enflammer.

- ▶ Éloigner de l'appareil toute flamme ou source d'inflammation.
- ▶ Aérer la pièce.
- ▶ Éteindre l'appareil. → *Page 51*
- ▶ Débrancher la fiche secteur du cordon d'alimentation secteur ou désactiver le fusible dans le boîtier à fusibles.
- ▶ Appeler le service après-vente. → *Page 67*

2 Prévenir les dégâts matériels

ATTENTION !

Le basculement des roulettes de l'appareil peut endommager le sol lors du déplacement de l'appareil.

- ▶ Transportez l'appareil avec un diable.
- ▶ Lorsque vous déplacez l'appareil, protégez le sol et ne faites pas de zigzags.

L'utilisation de l'appareil, du socle, des glissières ou des portes comme surface d'assise ou comme marche-pied peut endommager l'appareil.

- ▶ Ne vous servez jamais de l'appareil, du socle, des glissières ou des portes comme marche-pieds et ne vous appuyez jamais dessus.

En cas de salissures provenant d'huile ou de graisse, des pièces en matière plastique et les joints de porte peuvent devenir poreux.

- ▶ Veiller à ce que les pièces en matière plastique et les joints de porte restent exempts d'huile et de graisse.

Les pièces métalliques ou d'aspect métallique de l'appareil peuvent contenir de l'aluminium. L'aluminium réagit en contact avec les aliments acides.

- ▶ Ne stockez pas d'aliments non emballés dans l'appareil.

Si vous nettoyez les pièces d'équipement et les accessoires au lave-vaisselle, ceux-ci risquent de se déformer ou de déteindre.

- ▶ Ne nettoyez jamais les équipements et accessoires au lave-vaisselle.

3 Protection de l'environnement et économies d'énergie

3.1 Élimination de l'emballage

Les emballages sont écologiques et recyclables.

- ▶ Veuillez éliminer les pièces détachées après les avoir triées par matière.



Éliminez l'emballage en respectant l'environnement.

3.2 Économies d'énergie

Si vous respectez les instructions suivantes, votre appareil consommera moins de courant.

Choix du lieu d'installation

- Protégez l'appareil de la lumière directe du soleil.
- Installez l'appareil aussi loin que possible des radiateurs, des cuisinières et des autres sources de chaleur :
 - Respecter une distance de 30 mm par rapport aux cuisinières électriques ou à gaz.
 - Respectez une distance de 300 mm par rapport à un appareil de chauffage au fuel ou au charbon.
- Respectez une petite distance latérale au mur.
- Ne recouvrez et ne bouchez jamais les orifices de ventilation extérieurs.

Économiser de l'énergie lors de l'utilisation

Remarque : La disposition des pièces d'équipement n'a aucune influence sur la consommation d'énergie de l'appareil.

- N'ouvrez que brièvement l'appareil et fermez-le avec précaution.
- Ne recouvrez et n'obstruez jamais les grilles de ventilation intérieures ni les orifices de ventilation extérieurs.
- Transportez les aliments achetés dans un sac isotherme et rangez-les rapidement dans l'appareil.
- Attendez que les aliments et les boissons chaudes refroidissent avant de les ranger.
- Pour profiter du froid des produits congelés, placez les produits à décongeler dans le compartiment réfrigération.
- Laissez toujours un peu de place entre les aliments et la paroi arrière.

Mode veille

Lorsque l'appareil n'est pas utilisé, l'affichage passe automatiquement en mode veille.

En mode veille, la luminosité du bandeau de commande est réduite et la barre lumineuse s'allume.

Dès que vous utilisez l'affichage ou ouvrez la porte, le mode veille se désactive.

Vous pouvez éteindre la barre lumineuse pour le mode veille.

Allumer la barre lumineuse

- ▶ Appuyez sur **2° + 8°** pendant 3 secondes jusqu'à l'émission d'un signal sonore.

Éteindre la barre lumineuse

- ▶ Appuyez sur **2° + 8°** pendant 3 secondes jusqu'à l'émission d'un signal sonore.

4 Installation et branchement

4.1 Contenu de la livraison

Après avoir déballé le produit, inspectez toutes les pièces pour détecter d'éventuels dégâts dus au transport et vous assurer de l'intégralité de la livraison.

En cas de réclamation, veuillez vous adresser à votre revendeur ou à notre service après-vente

→ *Page 67.*

La livraison comprend :

- Appareil pose libre
- Des équipements et accessoires¹
- Instructions de montage
- La notice d'utilisation
- Les coordonnées du service après-vente
- Le document annexe de la garantie²
- Le label énergétique
- Des informations relatives à la consommation d'énergie et aux bruits
- Informations concernant Home Connect

¹ Selon l'équipement de l'appareil

² Pas dans tous les pays

4.2 Critères pour le lieu d'installation

AVERTISSEMENT **Risque d'explosion !**

Si l'appareil est installé dans une pièce trop petite, une éventuelle fuite du circuit de réfrigération pourrait donner lieu à un mélange de gaz et d'air inflammable.

- ▶ Installer l'appareil uniquement dans une pièce ayant un volume minimum de 1 m³ par 8 g de fluide frigorigène. La quantité de fluide frigorigène est indiquée sur la plaque signalétique. → Fig. **1** / **5**

Selon le modèle, le poids de l'appareil départ usine peut atteindre 110 kg.

Le plancher doit être assez stable pour supporter le poids de l'appareil.

Température ambiante admissible

La température ambiante admissible dépend de la classe climatique de l'appareil.

La classe climatique figure sur la plaque signalétique de l'appareil.

→ Fig. **1** / **5**

| Classe climatique | Température ambiante admissible |
|--------------------------|--|
| SN | 10 °C...32 °C |
| N | 16 °C...32 °C |
| ST | 16 °C...38 °C |
| T | 16 °C...43 °C |

L'appareil est entièrement opérationnel dans la plage de température ambiante admissible.

Si vous utilisez un appareil de la classe climatique SN à des températures ambiantes plus basses, il n'est pas exclu que l'appareil subisse des dommages en présence d'une température ambiante atteignant 5 °C.

Installation au-dessus et en-dessous, et côte à côte

Si vous souhaitez installer 2 appareils de réfrigération en les superposant ou les plaçant côte à côte, respectez une distance d'au moins 150 mm entre les appareils. Pour certains appareils, une installation sans distance minimale est possible. Demandez conseil à votre revendeur ou à votre cuisiniste.

4.3 Monter l'appareil

- ▶ Montez l'appareil selon les instructions de montage jointes.

4.4 Préparation de l'appareil pour la première utilisation

1. Retirer le matériel d'informations.
2. Retirer les films protecteurs et les sécurités de transport, par ex. les bandes adhésives et le carton.
3. Nettoyage de l'appareil pour la première fois. → Page 59

4.5 Raccordement électrique de l'appareil

1. Raccordez le connecteur du cordon d'alimentation secteur à l'appareil.
2. Branchez la fiche secteur du cordon d'alimentation de l'appareil dans une prise murale à proximité de l'appareil.

Vous trouverez les données de raccordement de l'appareil sur la plaque signalétique. → Fig. **1** / **5**

3. Assurez-vous que la fiche secteur soit correctement branchée.
- ✓ Maintenant, l'appareil est prêt à fonctionner.

5 Description de l'appareil

5.1 Appareil

Cette section contient une vue d'ensemble des composants de votre appareil.

→ Fig. **1**

| | |
|-----------|---|
| A | Compartiment réfrigération → Page 56 |
| B | Compartiment congélation → Page 56 |
| 1 | Éclairage |
| 2 | Bac à snacks → Page 49 |
| 3 | Ouverture de ventilation intérieure |
| 4 | Thermostat (bac de rangement) → Page 51 |
| 5 | Plaque signalétique → Page 68 |
| 6 | Bac de rangement → Page 49 |
| 7 | Bac à fruits et légumes avec régulateur d'humidité → Page 49 |
| 8 | Bac à produits congelés → Page 60 |
| 9 | Pied à vis |
| 10 | Casier à beurre et à fromage → Page 50 |
| 11 | Bandeau de commande → Page 48 |
| 12 | Compartiment dans la contreporte pour grandes bouteilles → Page 50 |

Remarque : Selon l'équipement et la taille, des divergences sont possibles entre votre appareil et les illustrations.

5.2 Bandeau de commande

Le champ de commande vous permet de configurer toutes les fonctions de votre appareil et vous donne des informations sur l'état de fonctionnement.

→ Fig. **2**

| | |
|-----------|---|
| 1 | Affiche la température réglée du compartiment de réfrigération en °C. |
| 2 | Affiche la température réglée du compartiment de congélation en °C. |
| 3 | alarm désactive l'alarme sonore. |
| 4 | 📶 active ou désactive la connexion au réseau domestique WLAN (Wi-Fi). |
| 5 | La barre lumineuse fournit des informations visuelles. |
| 6 | eco allume ou éteint le mode Économie d'énergie. |
| 7 | holiday active ou désactive le mode Vacances. |
| 8 | fresh active ou désactive le mode Fraîcheur. |
| 9 | Ⓞ allume ou éteint l'appareil. |
| 10 | 🔔 s'allume lorsque des réglages définis par l'utilisateur sont réglés via l'appli Home Connect. Vous trouverez de plus amples informations dans l'appli Home Connect. |
| 11 | super (congélateur) active ou désactive la fonction Supercongélation. |
| 12 | super (réfrigérateur) active ou désactive la fonction Super-réfrigération. |

6 Équipement

L'équipement de votre appareil dépend de son modèle.

6.1 Clayette

Pour obtenir une meilleure vue d'ensemble et retirer plus rapidement les aliments, retirez la clayette.

Pour varier la position de la clayette selon les besoins, vous pouvez retirer la clayette et la replacer à un autre endroit.

→ "Retirer la clayette", Page 59

6.2 Bac à snacks

Conservez les aliments ou les petits en-cas emballés dans le bac à snacks.

Vous pouvez retirer le bac à snacks. Pour ce faire, soulevez le bac à snacks et extrayez-le. Vous pouvez déplacer la fixation du bac à snacks.

→ Fig. 3

6.3 Bac de rangement

Les températures régnant dans le bac de rangement sont plus basses que dans le compartiment réfrigération. Des températures inférieures à 0 °C peuvent parfois se produire. Pour atteindre des températures proches de 0 °C dans le bac de rangement, réglez la température du compartiment réfrigération sur 2 °C.

→ Page 51

Utilisez les températures plus basses du bac de rangement pour conserver les aliments périssables, par ex. le poisson, la viande et la charcuterie.

6.4 Bac à fruits et légumes avec régulateur d'humidité

Stockez les fruits et légumes frais non emballés dans le bac à fruits et légumes.

Conservez les fruits et légumes coupés recouverts ou dans un emballage hermétique.

Le régulateur d'humidité et un joint d'étanchéité spécial vous permettent d'adapter l'humidité de l'air dans le bac à fruits et légumes. Les fruits et légumes frais se conservent ainsi jusqu'à deux fois plus longtemps qu'avec un mode de rangement conventionnel.

→ Fig. 4

Vous pouvez ajuster l'humidité de l'air régnant dans le bac à fruits et légumes en fonction de la nature et de la quantité des aliments à ranger en tournant le régulateur d'humidité :

- Faible humidité ☹ en cas de stockage prédominant de fruits, de chargement mixte ou important.
- Humidité élevée ☺☺ en cas de stockage prédominant de légumes ou en cas de faible chargement.

Suivant la quantité et la nature des produits stockés, de l'eau peut se condenser dans le bac à fruits et légumes.

Éliminer l'eau condensée avec un essuie-tout sec et régler un faible taux d'humidité de l'air à l'aide du régulateur d'humidité.

Afin de conserver leur qualité et leurs arômes, rangez les fruits et légumes sensibles au froid en dehors de l'appareil à des températures comprises entre 8 °C à 12 °C environ, par ex. les ananas, les bananes, les agrumes, les concombres, les courgettes, les poivrons, les tomates et les pommes de terre.

6.5 Casier à beurre et à fromage

Rangez le beurre et le fromage à pâte dure dans le casier à beurre et à fromage.

6.6 Compartiment dans la contreporte

Pour varier la position du compartiment dans la contreporte selon les besoins, vous pouvez le retirer et le replacer à un autre endroit.

→ "Retirer le compartiment dans la contreporte", Page 60

6.7 Accessoires

Utilisez uniquement des accessoires d'origine. Ils ont été spécialement conçus pour votre appareil.

Les accessoires de votre appareil dépendent de son modèle.

Bac à œufs

Rangez les œufs sur le bac à œufs.

Porte-bouteilles

Le porte-bouteilles empêche ces dernières de se renverser lors de l'ouverture et de la fermeture de la porte de l'appareil.

→ Fig. 5

Bac à glaçons

Utilisez le bac à glaçons, pour confectionner des glaçons.

Confectionner des glaçons

Pour préparer des glaçons, utilisez exclusivement de l'eau potable.

1. Remplissez le bac à glaçons aux $\frac{3}{4}$ avec de l'eau potable et placez-le au congélateur.

Décolliez le bac à glaçons resté collé dans le congélateur uniquement à l'aide d'un instrument émoussé, par ex. un manche de cuillère.

2. Pour enlever les glaçons du bac à glaçons, passez le bac brièvement sous l'eau du robinet ou déformez-le légèrement.

7 Utilisation

7.1 Allumer l'appareil

1. Raccordement électrique de l'appareil. → Page 47

Remarque : Si l'appareil a été préalablement éteint à l'aide du bandeau de commande, maintenez la touche ⓘ enfoncée pendant 3 secondes.

- ✓ L'appareil commence à réfrigérer.
 - ✓ Une alarme sonore retentit et l'affichage de température clignote, car le compartiment congélation est encore trop chaud.
2. Éteignez l'alarme sonore avec **alarm**.
 - ✓ **alarm** s'éteint dès que la température réglée est atteinte.
 3. Réglez la température souhaitée. → Page 51

7.2 Remarques concernant le fonctionnement de l'appareil

- Lorsque vous avez allumé l'appareil, il peut s'écouler jusqu'à plusieurs heures avant que la température réglée ne soit atteinte. Ne rangez aucun aliment avant que la température réglée ne soit atteinte.

- L'appareil chauffe légèrement les surfaces frontales temporairement. Cela empêche une condensation d'eau dans la zone du joint de porte.
- Lorsque vous refermez la porte, une dépression peut se produire. La porte est alors difficile à rouvrir. Patientez quelques instants jusqu'à ce que la dépression soit compensée.
- La température de l'appareil varie selon les conditions suivantes :
 - Fréquence des ouvertures de l'appareil
 - Charge
 - Température des aliments nouvellement stockés
 - Température ambiante
 - Exposition directe au soleil

7.3 Éteindre l'appareil

- ▶ Appuyez sur  pendant 3 secondes.

7.4 Régler la température

Réglage de la température du compartiment réfrigération

- ▶ Appuyez sur la température souhaitée.
Pour atteindre la température réglée, placez le thermostat du récipient de stockage sur la position $\frac{1}{3}$ à partir du bas. → *Page 51*
La température recommandée dans le compartiment réfrigération est de 4 °C.

Régler la température du bac de rangement

1. Pour réduire la température, déplacez le thermostat dans la direction **extra cold**.

2. Pour augmenter la température, déplacez le thermostat dans la direction **cold**.

→ *Fig. 6*

Régler la température du compartiment congélation

- ▶ Appuyez sur la température souhaitée.
La température recommandée dans le compartiment congélation est de -18 °C.

8 Fonctions additionnelles

Découvrez les fonctions additionnelles dont votre appareil dispose.

8.1 Super-réfrigération

Avec Super-réfrigération, le compartiment réfrigération refroidit au maximum.

Activez Super-réfrigération avant de ranger de grandes quantités d'aliments.

Remarque : Lorsque la fonction Super-réfrigération est activée, il est possible que l'appareil fonctionne plus bruyamment.

Activer Super-réfrigération

- ▶ Appuyez sur **super** (réfrigérateur).
- ✓ **super** (réfrigérateur) s'allume.

Remarque : Après environ 6 heures, l'appareil passe en mode de fonctionnement normal.

Désactivez Super-réfrigération

- ▶ Appuyez sur **super** (réfrigérateur).

8.2 Super-congélation

Avec la fonction Super-congélation, le compartiment congélation refroidit au maximum.

Activez la fonction Super-congélation 4 à 6 heures avant de ranger une quantité d'aliments à partir de 2 kg dans le compartiment congélation. Pour utiliser la capacité de congélation, utilisez la fonction Super-congélation.

→ "Conditions préalables pour la capacité de congélation", Page 57

Remarque : Lorsque la fonction Super-congélation est activée, il est possible que l'appareil fonctionne plus bruyamment.

activer Super-congélation

- ▶ Appuyez sur **super** (congélateur).
- ✓ **super** (congélateur) s'allume.

Remarque : Après environ 54 heures, l'appareil passe en mode de fonctionnement normal.

désactiver Super-congélation

- ▶ Appuyez sur **super** (congélateur).

8.3 Mode Vacances

Si vous vous absentez pendant une longue période, vous pouvez activer le mode Vacances pour économiser l'énergie sur l'appareil.

PRUDENCE

Risque de préjudice pour la santé !

Lorsque le mode Vacances est activé, le compartiment réfrigération se réchauffe. L'augmentation de la température peut entraîner la multiplication des bactéries et l'altération des aliments.

- ▶ Quand le mode Vacances est activé, ne stockez pas d'aliments dans le compartiment réfrigération.

L'appareil adapte automatiquement les températures.

| | |
|---------------------------------|----------------------------|
| Compartiment ré- frigération | 14 °C |
| Compartiment congélation | Température in- changée |

Activer le mode Vacances

- ▶ Appuyez sur **holiday**.
- ✓ **holiday** s'allume.

Désactiver le mode Vacances

- ▶ Appuyer sur **holiday**.

8.4 Mode économie d'énergie

Le mode Économie d'énergie permet de commuter en mode de fonctionnement économe en énergie. L'appareil adapte automatiquement les températures.

| | |
|---------------------------------|--------|
| Compartiment ré- frigération | 8 °C |
| Compartiment congélation | -16 °C |

Activer le mode Économie d'énergie

- ▶ Appuyez sur **eco**.
- ✓ **eco** s'allume.

Désactiver le mode Économie d'énergie

- ▶ Appuyez sur **eco**.

8.5 Mode Fraîcheur

Pour conserver les aliments frais plus longtemps, vous pouvez activer le mode Fraîcheur sur l'appareil. L'appareil adapte automatiquement les températures.

| | |
|---------------------------------|------|
| Compartiment ré- frigération | 2 °C |
|---------------------------------|------|

| | |
|--------------------------|-----------------------|
| Compartiment congélation | Température inchangée |
|--------------------------|-----------------------|

Activer le mode fraîcheur

- ▶ Appuyez sur **fresh**.
- ✓ **fresh** s'allume.

Désactiver le mode fraîcheur

- ▶ Appuyez sur **fresh**.

9 Alarme

9.1 Alarme de porte

L'alarme de porte retentit lorsque la porte de l'appareil reste ouverte longtemps.

Une alarme sonore retentit, **alarm** clignote, le bandeau lumineux clignote et l'affichage de la température du compartiment concerné clignote.

Couper l'alarme de porte

- ▶ Fermez la porte de l'appareil ou appuyez sur **alarm**.
- ✓ L'alarme sonore est désactivée.

9.2 Alarme de température

Si la température monte trop dans le compartiment congélation, l'alarme de température retentit.

Une alarme sonore retentit, la température réglée (congélateur), **alarm** et le bandeau lumineux clignotent.

PRUDENCE

Risque de préjudice pour la santé !

Lors de la décongélation, les bactéries peuvent se multiplier et les aliments congelés peuvent s'abîmer.

- ▶ Ne remettez pas à congeler des produits alimentaires partiellement ou entièrement décongelés.

- ▶ Ne recongelez les aliments qu'après avoir les avoir fait cuire ou rôtir.
- ▶ N'utilisez plus la durée de conservation dans son intégralité.

L'alarme de température peut s'enclencher dans les cas suivants :

- L'appareil est mis en service. Attendez que la température réglée soit atteinte avant de ranger les produits.
- Rangement de grandes quantités d'aliments frais. Activez Super-congélation avant de ranger de grandes quantités de nourriture.
- Porte du compartiment congélation restée trop longtemps ouverte. Vérifiez si les produits surgelés ont été décongelés.

Arrêter l'alarme de température

- ▶ Appuyez sur **alarm**.
- ✓ L'alarme sonore est désactivée.

10 Home Connect

Cet appareil peut être mis en réseau. Connectez votre appareil à un terminal mobile, afin de commander les fonctions depuis l'appli Home Connect.

Les services Home Connect ne sont pas proposés dans tous les pays. La disponibilité de la fonction Home Connect dépend de l'offre des

services Home Connect dans votre pays. Vous trouverez de plus amples informations à ce sujet à l'adresse : www.home-connect.com.

Pour utiliser Home Connect, configurez d'abord la connexion à votre réseau domestique WLAN (Wi-Fi¹) et à l'application Home Connect.

Attendez au moins 2 minutes après la mise en marche de l'appareil pour que l'initialisation interne de l'appareil soit achevée. Réglez ensuite seulement Home Connect.

L'appli Home Connect vous guide tout au long du processus de connexion. Suivez les étapes recommandées par l'appli Home Connect pour procéder aux réglages.

Conseils

- Pour ce faire, veuillez consulter les documents Home Connect fournis.
- Observez également les consignes dans l'appli Home Connect.

Remarques

- Suivez les consignes de sécurité de la présente notice d'utilisation et assurez-vous qu'elles sont également respectées si vous utilisez l'appareil via l'appli Home Connect.
→ "Sécurité", Page 38
- Les commandes directement effectuées sur l'appareil sont toujours prioritaires. Pendant ce temps, la commande via l'application Home Connect n'est pas possible.

10.1 Configurer l'appli Home Connect

1. Installez l'appli Home Connect sur le terminal mobile.



2

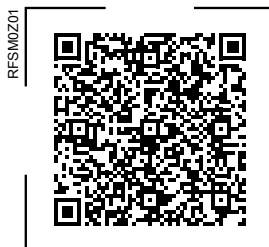
2. Démarrez l'appli Home Connect et configurez l'accès à Home Connect.

L'appli Home Connect vous guide tout au long du processus de connexion.

10.2 Configurer Home Connect

Conditions

- L'appli Home Connect est configurée sur l'appareil mobile.
 - L'appareil a accès à votre réseau domestique WLAN (Wi-Fi) depuis le lieu d'installation.
1. Ouvrez l'appli Home Connect et scannez le code QR ci-après.



¹ Wi-Fi est une marque déposée de la société Wi-Fi Alliance.

² Apple App Store et le logo Apple App Store sont des marques de la société Apple Inc. Google Play et le logo Google Play sont des marques de la société Google LLC.

2. Suivez les instructions de l'appli Home Connect.

10.3 Activer la connexion au réseau domestique WLAN (Wi-Fi)

- ▶ Appuyez sur .

10.4 Désactiver la connexion au réseau domestique WLAN (Wi-Fi)

- ▶ Appuyez sur .

10.5 Installez la mise à jour du logiciel Home Connect



Remarque : Si une mise à jour du logiciel Home Connect est disponible, un message apparaît dans l'appli Home Connect.

- ▶ Pour installer la mise à jour du logiciel Home Connect, suivez les instructions de l'appli Home Connect.
- ✓ Pendant l'installation, le bandeau de commande est partiellement verrouillé.

10.6 Réinitialisez les réglages Home Connect

Si vous rencontrez des problèmes de connexion de votre appareil à votre réseau domestique WLAN (Wi-Fi) ou si vous souhaitez enregistrer votre appareil dans un autre réseau do-

mestique WLAN(Wi-Fi), vous pouvez réinitialiser les réglages de Home Connect.

- ▶ Maintenez enfoncé  pendant 6 secondes jusqu'à ce que  s'éteigne.
- ✓ Les réglages de Home Connect sont réinitialisés.

10.7 Protection des données

Suivez les consignes de protection des données.

Lors de la première connexion de votre appareil à un réseau domestique branché à Internet, votre appareil transmet les catégories de données suivantes au serveur Home Connect (premier enregistrement) :

- Identifiant unique de l'appareil (constitué de codes d'appareil ainsi que de l'adresse MAC du module de communication Wi-Fi intégré).
- Certificat de sécurité du module de communication Wi-Fi (pour la protection des informations de la connexion).
- La version actuelle du logiciel et du matériel de l'électroménager.
- État d'une éventuelle restauration précédente des réglages d'usine.

Ce premier enregistrement prépare l'utilisation des fonctions Home Connect et ne s'avère nécessaire qu'au moment où vous voulez utiliser les fonctions Home Connect pour la première fois.

Remarque : Veuillez noter que les fonctions Home Connect ne sont utilisables qu'avec l'application Home Connect. Vous pouvez consulter les informations sur la protection des données dans l'application Home Connect.

11 Compartiment réfrigération

Le compartiment réfrigération permet de conserver la viande, la charcuterie, le poisson, les produits laitiers, les œufs, les plats cuisinés et les pâtisseries.

La température est réglable de 2 °C à 8 °C.

Le stockage au froid vous permet aussi de ranger des denrées facilement périssables à court et moyen terme. Plus la température choisie est basse, plus les aliments restent frais plus longtemps.

11.1 Conseils pour ranger des produits alimentaires dans le compartiment réfrigération

- Stockez uniquement des aliments frais et intacts.
- Conservez les aliments dans un récipient hermétique ou couvert.
- Pour ne pas entraver la circulation de l'air et pour éviter que les aliments ne gèlent, ne placez pas les aliments devant les ouvertures de ventilation internes ou en contact direct avec la paroi arrière.
- Laissez les boissons et aliments chauds refroidir avant de les ranger.
- Respectez la date de péremption ou la date limite d'utilisation indiquée par le fabricant.

11.2 Zones froides dans le compartiment réfrigération

L'air circulant dans le compartiment réfrigération engendre des zones différemment froides.

Zone la plus froide

La zone la plus froide se trouve dans le bac de rangement.

Conseil : Rangez les aliments périssables dans la zone la plus froide, par ex. le poisson, la charcuterie et la viande.

Zone la moins froide

La zone la moins froide se trouve complètement en haut, contre la porte.

Conseil : Rangez des produits alimentaires insensibles dans la zone la moins froide, par ex. le fromage à pâte dure et le beurre. Le fromage peut ainsi continuer à développer son arôme, et le beurre reste tartifiable.

12 Compartiment congélation

Dans le compartiment congélation, vous pouvez stocker des aliments congelés, congeler des aliments et confectionner des glaçons.

La température est réglable de -16 °C à -24 °C.

La température de stockage à long terme des produits alimentaires doit se situer à -18 °C ou encore plus bas.

La congélation vous permet de stocker les aliments facilement périssables à long terme. Les basses températures ralentissent ou stoppent la l'altération des aliments.

12.1 Capacité de congélation

La capacité de congélation indique quelle quantité d'aliments l'appareil peut congeler à cœur en combien d'heures.

Sur la plaque signalétique, vous trouverez des indications concernant la capacité de congélation. → Fig. 1 /

5

Conditions préalables pour la capacité de congélation

1. Env. 24 heures avant de ranger des produits alimentaires frais, activer la fonction Super-congélation. → "activer Super-congélation", Page 52
2. Placez les aliments en premier lieu dans le bac à aliments congelés du bas.

12.2 Utiliser l'intégralité du volume du compartiment congélation

Découvrez comment placer la quantité maximale d'aliments congelés dans le congélateur.

1. Retirez toutes les pièces d'équipement du congélateur. → Page 59
2. Déposez les produits alimentaires directement sur les clayettes et le fond du compartiment congélation.

12.3 Conseils pour ranger des aliments dans le compartiment congélation

- Conservez les aliments dans des emballages hermétiques.
- Veillez à ce que les aliments à congeler n'entrent pas en contact avec d'autres déjà congelés.

- Répartissez les produits alimentaires sur une grande surface dans les bacs à produits congelés.
- Pour que l'air puisse circuler librement dans l'appareil, introduire le bac à produits congelés jusqu'à la butée.

12.4 Conseils pour congeler des aliments frais

- Congelez uniquement des aliments frais et d'un aspect impeccable.
- Congelez les aliments en portions.
- Les plats cuisinés sont plus appropriés que les aliments crus comestibles.
- Lavez, hachez et blanchissez les légumes avant de les congeler.
- Avant la congélation, lavez les fruits, retirez les pépins et épluchez les fruits si nécessaire, ajoutez du sucre ou une solution d'acide ascorbique si nécessaire.
- Les produits de boulangerie, le poisson et les fruits de mer, la viande, le gibier et la volaille, les œufs sans coquille, le fromage, le beurre, le caillé, les plats préparés et les restes se prêtent à la congélation.
- La laitue, les radis, les œufs en coquille, les raisins, les pommes et poires crues, le yaourt, la crème aigre, la crème fraîche et la mayonnaise ne se prêtent pas à la congélation.

Emballer les surgelés

Un matériau d'emballage approprié et le bon type d'emballage sont essentiels pour maintenir la qualité du produit et éviter les brûlures de congélation.

1. Placez les aliments dans l'emballage.
2. Pressez pour chasser l'air.

3. Fermez hermétiquement l'emballage afin que les aliments ne perdent pas leur saveur ou ne se dessèchent pas.
4. Indiquez sur l'emballage le contenu et la date de congélation.

12.5 Durée de conservation du produit congelé à -18 °C

| Aliments | Durée de conservation |
|---|-----------------------|
| Poisson, charcuterie, plats cuisinés, pâtisseries | jusqu'à 6 mois |
| Viande, volaille | jusqu'à 8 mois |
| Légumes, fruits | jusqu'à 12 mois |

Le calendrier de congélation imprimé indique la durée maximale de stockage, en mois, à une température permanente de -18 °C.

12.6 Méthodes de décongélation pour aliments congelés

PRUDENCE

Risque de préjudice pour la santé !

Lors de la décongélation, les bactéries peuvent se multiplier et les aliments congelés peuvent s'abîmer.

- ▶ Ne remettez pas à congeler des produits alimentaires partiellement ou entièrement décongelés.
- ▶ Ne recongelez les aliments qu'après avoir les avoir fait cuire ou rôtir.
- ▶ N'utilisez plus la durée de conservation dans son intégralité.

- Décongelez les aliments d'origine animale dans le réfrigérateur, par exemple le poisson, la viande, le fromage et le lait caillé.
- Décongelez le pain à température ambiante.
- Préparez les aliments au micro-ondes, au four ou sur la cuisinière pour une consommation immédiate.

13 Dégivrage

13.1 Dégivrage du compartiment réfrigérateur

Le compartiment réfrigérateur de votre appareil se dégèle automatiquement.

13.2 Décongélation dans le compartiment congélation

Grâce au système « NoFrost » entièrement automatique, le compartiment congélation ne se couvre pas de givre. Aucun dégivrage n'est nécessaire.

14 Nettoyage et entretien

Pour que votre appareil reste longtemps opérationnel, nettoyez-le et entretenez-le avec soin.

Le nettoyage de points inaccessibles doit être réalisé par le service après-vente. Le nettoyage par le service après-vente peut engendrer des frais.

14.1 Préparer l'appareil pour le nettoyage

1. Éteindre l'appareil. → Page 51

2. Débrancher l'appareil du réseau électrique.
Débrancher la fiche secteur du cordon d'alimentation secteur ou désactiver le fusible dans le boîtier à fusibles.
3. Retirez tous les aliments de l'appareil et rangez-les dans un endroit frais.
Si possible, placez des accumulateurs de froid sur les aliments.
4. Retirez toutes les pièces d'équipement et les accessoires de l'appareil. → *Page 59*
5. Démontez la plaque de séparation. → *Page 60*
6. Démontez le couvercle. → *Page 60*
7. Démontez la clayette au-dessus du bac à fruits et légumes. → *Page 61*

14.2 Nettoyage de l'appareil

AVERTISSEMENT **Risque d'électrocution !**

L'infiltration d'humidité peut occasionner un choc électrique.

- ▶ Ne pas utiliser de nettoyeur vapeur ou haute pression pour nettoyer l'appareil.

La présence de liquide dans l'éclairage, les éléments commandes ou les orifices d'aération internes peut être dangereuse.

- ▶ L'eau de rinçage ne doit pas pénétrer dans l'éclairage, les éléments de commande ou les orifices d'aération internes.

ATTENTION !

Des produits nettoyants inappropriés peuvent endommager les surfaces de l'appareil.

- ▶ Ne pas utiliser de tampon en paille métallique ni d'éponge à dos récurant.

- ▶ Ne pas utiliser de produits de nettoyage agressifs ou récurants.
- ▶ N'utilisez pas de nettoyeurs fortement alcoolisés.

Si vous nettoyez les pièces d'équipement et les accessoires au lave-vaisselle, ceux-ci risquent de se déformer ou de déteindre.

- ▶ Ne nettoyez jamais les équipements et accessoires au lave-vaisselle.
1. Préparez l'appareil pour le nettoyage. → *Page 58*
 2. Nettoyez l'appareil, les pièces d'équipement, les accessoires, les parties de l'appareil et les joints de porte avec une lavette, de l'eau tiède et du produit à vaisselle présentant un pH neutre.
 3. Sécher ensuite minutieusement avec un chiffon doux et sec.
 4. Insérez les pièces d'équipement et montez les pièces de l'appareil.
 5. Raccordement électrique de l'appareil. → *Page 47*
 6. Ranger les aliments.

14.3 Retirer les pièces d'équipement

Si vous désirez nettoyer soigneusement les pièces d'équipement, retirez celles-ci de votre appareil.

Retirer la clayette

- ▶ Tirez la clayette et retirez-la.
→ *Fig. 7*

Retirer le bac à snacks avec support

1. Retirez le bac à snacks.
2. Retirez la clayette avec le support.
3. Faites glisser le support latéralement par rapport à la clayette.
→ *Fig. 8*

Retirer le compartiment dans la contreporte

- ▶ Soulevez le compartiment dans la contre-porte vers le haut et retirez-le.
→ Fig. **9**

Retirer le bac de rangement

1. Extrayez le bac de rangement jusqu'en butée.
2. Soulevez le bac de rangement vers l'avant ① et retirez-le ②.
→ Fig. **10**

Retirer le bac à fruits et légumes

1. Extrayez le bac à fruits et légumes jusqu'en butée.
2. Soulevez le bac à fruits et légumes vers l'avant ① et retirez-le ②.
→ Fig. **11**

Retirer le bac à produits congelés

1. Extraire le bac à produits congelés jusqu'en butée.
2. Soulever l'avant du bac à produits congelés ① et le retirer ②.
→ Fig. **12**

Retirer la façade du bac

Vous pouvez retirer la façade du bac à fruits et légumes pour faciliter le nettoyage.

- ▶ Appuyez sur les crochets de fixation latéraux du bac ① et retirez la façade du bac par un mouvement de rotation ②.
→ Fig. **13**

14.4 Démontage des pièces de l'appareil

Si vous souhaitez effectuer un nettoyage complet de votre appareil, vous pouvez retirer certaines pièces de votre appareil.

Plaque de séparation et couvercle du bac à fruits et légumes

Pour nettoyer à fond la plaque de séparation et le couvercle du bac à fruits et légumes, vous pouvez les enlever.

Démontage de la plaque de séparation

1. Retirez le bac à fruits et légumes.
2. Appuyez sur les leviers situés en bas des deux côtés ① et tirez la plaque séparatrice vers l'avant ②.
→ Fig. **14**
3. Soulevez la plaque séparatrice et faites-la basculer sur le côté pour l'extraire.

Démontage du couvercle

- ▶ Soulevez le couvercle du bac à fruits et légumes, tirez-le en avant et faites-le basculer sur le côté pour l'extraire.

Montage de la plaque de séparation et du couvercle

1. Mettez en place le couvercle du bac à fruits et légumes.
2. Réglez le régulateur d'humidité sur une humidité faible.
3. Mettez en place la plaque de séparation.
→ Fig. **15**

Clayette au-dessus du bac à fruits et légumes

Pour nettoyer à fond le couvercle du bac à fruits et légumes, vous pouvez le retirer.

Démonter la clayette au-dessus du bac à fruits et légumes

1. Retirez le bac à fruits et légumes.
→ Page 60
2. Retirez le bac de rangement.
→ Page 60
3. Inclinez latéralement la clayette au-dessus du bac à fruits et légumes ① et retirez-la ②.
→ Fig. **16**
4. Soulevez le couvercle du bac à fruits et légumes ① et retirez-le ②.
→ Fig. **17**

Monter la clayette au-dessus du bac à fruits et légumes

1. Accrochez le couvercle du bac à fruits et légumes.
→ Fig. **18**

2. Insérez la clayette au-dessus du bac à fruits et légumes en la basculant latéralement ① et en l'abaissant ②.
→ Fig. **19**
3. Positionnez le régulateur d'humidité en position avant.
→ Fig. **20**
Veillez à ce que le couvercle du bac à fruits et légumes soit placé dans l'ouverture sous le régulateur d'humidité.
4. Mettez en place les bacs de rangement et les bacs à fruits et légumes.
→ Fig. **21**

15 Dépannage

Vous pouvez corriger par vous-même les petits défauts de votre appareil. Lisez les renseignements de dépannage avant de contacter le service consommateurs. Vous vous épargnerez ainsi des dépenses inutiles.

AVERTISSEMENT Risque d'électrocution !

Les réparations non conformes sont dangereuses.

- ▶ Seul un personnel dûment qualifié peut entreprendre des réparations sur l'appareil.
- ▶ Seules des pièces de rechange d'origine peuvent être utilisées pour réparer l'appareil.
- ▶ Si le cordon d'alimentation secteur ou le cordon de raccordement de cet appareil est endommagé, il doit être remplacé par un cordon d'alimentation ou de raccordement spécifique qui est disponible auprès du fabricant ou de notre service après-vente.

| Défaut | Cause et dépannage |
|--|--|
| L'appareil ne réfrigère pas, les affichages et l'éclairage sont allumés. | L'appareil se trouve en mode Exposition. <ol style="list-style-type: none"> 1. Éteignez l'appareil. → <i>Page 51</i> 2. Patientez 2 minutes. 3. Rallumez l'appareil. → <i>Page 50</i> 4. Patientez 1 minute, puis maintenez super (réfrigérateur) enfoncé jusqu'à ce que 4 signaux sonores retentissent. 5. Vérifiez après un court laps de temps si l'appareil réfrigère. |
| L'éclairage par LED ne fonctionne pas. | Différentes causes sont possibles. <ul style="list-style-type: none"> ▶ Appelez le service après-vente. <p>Vous trouverez le numéro du service après-vente dans les coordonnées des services après-vente dont la liste est jointe.</p> |
| Les panneaux latéraux de l'appareil sont chauds. | Il ne s'agit pas d'un défaut. Les parois latérales recèlent en effet des tuyaux qui se réchauffent pendant le processus de refroidissement. La chaleur n'abîme pas les meubles qui touchent l'appareil. Aucune action nécessaire. |
| Home Connect ne fonctionne pas correctement. | Différentes causes sont possibles. <ul style="list-style-type: none"> ▶ Allez sur www.home-connect.com. |

| Défaut | Cause et dépannage |
|---|---|
| <p>Une alarme sonore retentit, l'affichage de la température (réfrigérateur), alarm et le bandeau lumineux clignotent.</p> <p>L'alarme de porte est activée.</p> | <p>La porte du réfrigérateur est ouverte.</p> <ul style="list-style-type: none"> ▶ Fermez la porte du réfrigérateur. |
| <p>Une alarme sonore retentit, l'affichage de la température (congélateur), alarm et le bandeau lumineux clignotent.</p> <p>L'alarme de porte est activée.</p> | <p>La porte du congélateur est ouverte.</p> <ul style="list-style-type: none"> ▶ Fermez la porte du congélateur. |
| <p>Une alarme sonore retentit, la température réglée (congélateur), alarm et le bandeau lumineux clignotent.</p> <p>L'alarme de température est activée.</p> | <p>Différentes causes sont possibles.</p> <ul style="list-style-type: none"> ▶ Appuyez sur alarm. ✓ L'alarme s'éteint. <hr/> <p>Les orifices de ventilation extérieurs sont recouverts.</p> <ul style="list-style-type: none"> ▶ Retirez les obstacles situés devant les orifices de ventilation extérieurs. <hr/> <p>Des quantités importantes d'aliments frais ont été rangées.</p> <ul style="list-style-type: none"> ▶ Ne dépassez pas la capacité de congélation. → "<i>Capacité de congélation</i>", Page 57 |

| Défaut | Cause et dépannage |
|--|--|
| <p>La température réglée n'est pas atteinte.</p> <p>Le dégivrage entièrement automatique ne fonctionne plus.</p> | <p>La porte du compartiment congélation est restée ouverte pendant longtemps. L'évaporateur (générateur de froid) du système NoFrost est très fortement givré.</p> <p>Condition : Les aliments congelés sont stockés dans un endroit frais et sont bien isolés.</p> <ol style="list-style-type: none"> 1. Éteignez l'appareil. → Page 51 2. Débranchez l'appareil du secteur. Retirez la fiche secteur du cordon d'alimentation secteur ou désactivez le fusible dans le boîtier à fusibles. 3. Éloignez l'appareil du mur. 4. Laissez la porte de l'appareil ouverte. ✓ Au bout de 20 minutes environ, l'eau de dégivrage commence à couler dans le bac d'évaporation au dos de l'appareil. → Fig. 22 5. Pour éviter dans ce cas que le bac d'évaporation ne déborde, récupérez cette eau à l'aide d'une éponge. L'évaporateur est dégivré lorsqu'il ne coule plus d'eau de dégivrage dans le bac d'évaporation. 6. Nettoyez l'intérieur de l'appareil. → Page 59 7. Rallumez l'appareil. → Page 50 |
| <p>La température dévie fortement par rapport au réglage.</p> | <p>Différentes causes sont possibles.</p> <ol style="list-style-type: none"> 1. Éteignez l'appareil. → Page 51 2. Allumez à nouveau l'appareil après env. 5 minutes. → Page 50 <ul style="list-style-type: none"> – Si la température est trop élevée, vérifiez-la à nouveau au bout de quelques heures. – Si la température est trop basse, vérifiez-la à nouveau le jour suivant. |
| <p>De la condensation se forme à la surface de l'appareil et sur les clayettes à l'intérieur de l'appareil.</p> | <p>L'eau contenue dans l'air chaud et humide se condense sur les surfaces plus froides de l'appareil.</p> <ol style="list-style-type: none"> 1. Essuyez l'eau avec un chiffon sec et doux. 2. Ouvrez l'appareil le plus brièvement possible. 3. Veillez à ce que l'appareil soit toujours correctement fermé. |

| Défaut | Cause et dépannage |
|---|--|
| L'appareil vrombit, fait des bulles, des bourdonnements, des gargouillis, des cliquetis ou des claquements. | Il ne s'agit pas d'un défaut. Un moteur tourne, par ex. groupe frigorifique, ventilateur. Le fluide frigorigène circule dans les tuyaux. Le moteur, les interrupteurs ou les électrovannes s'allument ou s'éteignent. Le dégivrage automatique a lieu. Aucune action nécessaire. |
| L'appareil émet des bruits. | <p>L'appareil ne repose pas d'aplomb.</p> <ul style="list-style-type: none"> ▶ Nivelez l'appareil à l'aide d'un niveau à bulle et des pieds à vis. <hr/> <p>L'appareil n'est pas posé de manière indépendante.</p> <ul style="list-style-type: none"> ▶ Respectez les distances minimales de l'appareil. <hr/> <p>Les pièces d'équipement vacillent ou se coincent.</p> <ul style="list-style-type: none"> ▶ Vérifiez les pièces d'équipement amovibles et remettez-les éventuellement en place correctement. <hr/> <p>Des bouteilles ou récipients se touchent.</p> <ul style="list-style-type: none"> ▶ Éloigner les bouteilles ou les récipients les uns des autres. <hr/> <p>Super-congélation est activé. Aucune action nécessaire.</p> |

15.1 Panne de courant

En cas de panne de courant, la température à l'intérieur de l'appareil augmente, ce qui raccourcit la durée de conservation et réduit la qualité des aliments congelés.

Sur notre site Internet dédié à votre appareil, vous trouverez dans les caractéristiques techniques la durée de conservation des aliments congelés en cas de dysfonctionnement.

Remarques

- Ouvrez l'appareil le moins possible en cas de panne de courant et ne stockez pas d'autres aliments.
- Vérifiez la qualité des aliments immédiatement après la panne de courant.
 - Jetez les aliments congelés qui sont décongelés et dont la température est supérieure à 5 °C.
 - Faites bouillir ou frire des aliments congelés légèrement décongelés et consommez-les ou recongelez-les.

15.2 Effectuer l'auto-test de l'appareil

Votre appareil dispose d'un autotest qui indique les dysfonctionnements auxquels votre service après-vente peut remédier.

1. Éteindre l'appareil. → *Page 51*
2. Débrancher l'appareil du réseau électrique.
Débrancher la fiche secteur du cordon d'alimentation secteur ou désactiver le fusible dans le boîtier à fusibles.
3. Raccordez l'appareil à l'alimentation électrique après 5 minutes.
→ *Page 47*

4. Dans la minute qui suit le branchement électrique, maintenez **super** (réfrigérateur) enfoncé pendant 3 à 5 secondes jusqu'à ce que le deuxième signal sonore retentisse.
- ✓ Si, à la fin de l'auto-test, 2 signaux sonores retentissent et si l'affichage de la température indique la température réglée, cela signifie que votre appareil fonctionne correctement. L'appareil revient en fonctionnement normal.
 - ✓ Si 5 signaux sonores retentissent à la fin de l'autotest de l'appareil et que les LED d'affichage de la température s'allument avec une luminosité différente, contactez le service après-vente. Les LEDs fournissent des informations sur la panne au service après-vente.

16 Entreposage et élimination

16.1 Mise hors service de l'appareil

1. Éteindre l'appareil. → *Page 51*
2. Débrancher l'appareil du réseau électrique.
Débrancher la fiche secteur du cordon d'alimentation secteur ou désactiver le fusible dans le boîtier à fusibles.
3. Retirez tous les aliments.
4. Nettoyer l'appareil. → *Page 59*
5. Afin de garantir la ventilation de l'espace intérieur, laissez l'appareil ouvert.

16.2 Mettre au rebut un appareil usagé

La destruction dans le respect de l'environnement permet de récupérer de précieuses matières premières.

AVERTISSEMENT

Risque de préjudice pour la santé !

Des enfants risquent de s'enfermer dans l'appareil et de mettre leur vie en danger.

- ▶ Pour compliquer la pénétration des enfants dans l'appareil, ne pas retirer les clayettes et les bacs.
- ▶ Éloigner les enfants de l'appareil qui a cessé de servir.

AVERTISSEMENT

Risque d'incendie !

En cas d'endommagement des tuyaux, du fluide frigorigène inflammable et des gaz nocifs peuvent s'échapper et s'enflammer.

- ▶ Veillez à ne pas endommager les tubulures du circuit frigorifique, ni l'isolant.

1. Débrancher la fiche du cordon d'alimentation secteur.
2. Couper le cordon d'alimentation secteur.
3. Éliminez l'appareil dans le respect de l'environnement.

Vous trouverez des informations sur les circuits actuels d'élimination auprès de votre revendeur spécialisé ou de l'administration de votre commune/ville.



Cet appareil est marqué selon la directive européenne 2012/19/UE relative aux appareils électriques et électroniques

usagés (waste electrical and electronic equipment - WEEE).

La directive définit le cadre pour une reprise et une récupération des appareils usagés applicables dans les pays de la CE.

17 Service après-vente

Pour plus d'informations sur la durée et les conditions de la garantie dans votre pays, adressez-vous à notre service après-vente, à votre revendeur ou consultez notre site Web. Lorsque vous contactez le service après-vente, vous avez besoin du numéro de produit (E-Nr.), du numéro de fabrication (FD) et du numéro de série (Z-Nr.) de votre appareil. Vous trouverez les données de contact du service après-vente dans la liste ci-jointe ou sur notre site Web.

17.1 Numéro de produit (E-Nr.), numéro de fabrication (FD) et numéro de série (Z-Nr.)

Le numéro de produit (E-Nr.), le numéro de fabrication (FD) et le numéro de série (Z-Nr.) sont indiqués sur la plaque signalétique de l'appareil.

→ Fig. **1** / **5**

Pour retrouver rapidement les données de votre appareil et le numéro de téléphone du service consommateurs, n'hésitez pas à les recopier ailleurs.

18 Caractéristiques techniques

La plaque signalétique mentionne le fluide frigorigène, le volume net ainsi que d'autres données techniques.

→ Fig. **1** / **5**

18.1 Informations concernant les logiciels libres et open source

Ce produit contient des composants logiciels mis sous licence, par les détenteurs des droits d'auteur en tant que logiciel libre ou open source.

Les informations relatives à la licence sont mémorisées sur l'appareil électroménager. L'accès aux informations relatives à la licence correspondante est également possible via l'appli Home Connect: « Profil -> Mentions légales -> Informations sur la licence ». ¹ Vous pouvez télécharger les informations relatives à la licence sur le site Web de la marque. (Recherchez le modèle de votre appareil et d'autres documents sur le site Web du produit.) Vous pouvez également demander les informations correspondantes à l'adresse : ossrequest@bshg.com ou BSH Hausgeräte GmbH Carl-Wery-Str. 34, 81739 Munich, Allemagne.

La code source vous sera mis à disposition sur simple demande.

Veuillez envoyer votre demande à ossrequest@bshg.com ou BSH Hausgeräte GmbH Carl-Wery-Str. 34, D-81739 Munich.

Objet : „OSSREQUEST“

Les coûts liés au traitement de votre demande vous seront facturés. Cette offre est valable pendant trois ans à compter de la date d'achat, ou au

moins pour la période pendant laquelle nous fournissons le support et les pièces de rechange pour l'équipement.

19 Déclaration de conformité

BSH Hausgeräte GmbH déclare par la présente que l'appareil doté de la fonction Home Connect est conforme avec les exigences fondamentales et les autres dispositions adaptées de la directive 2014/53/EU.


Vous trouverez une déclaration de conformité RED détaillée sur Internet à l'adresse www.bosch-home.com sur la page de votre appareil dans les documents supplémentaires.



Bande de 2,4 GHz (2400–2483,5 MHz) : max. 100 mW

Bande de 5 GHz (5150–5350 MHz + 5470–5725 MHz) : max. 130 mW

¹ Selon l'équipement de l'appareil

| | | | | | | | | | |
|--|----|----|----|----|----|---------|----|----|----|
|  | BE | BG | CZ | DK | DE | EE | IE | EL | ES |
| | FR | HR | IT | CY | LI | LV | LT | LU | HU |
| | MT | NL | AT | PL | PT | RO | SI | SK | FI |
| | SE | NO | CH | TR | IS | UK (NI) | | | |

WLAN (Wi-Fi) de 5 GHz : uniquement destiné à un usage intérieur.

| | | | | | | | |
|----|----|----|----|----|----|----|----|
| AL | BA | MD | ME | MK | RS | UK | UA |
|----|----|----|----|----|----|----|----|

WLAN (Wi-Fi) de 5 GHz : uniquement destiné à un usage intérieur.



Thank you for buying a Bosch Home Appliance!

Register your new device on MyBosch now and profit directly from:

- **Expert tips & tricks for your appliance**
- **Warranty extension options**
- **Discounts for accessories & spare-parts**
- **Digital manual and all appliance data at hand**
- **Easy access to Bosch Home Appliances Service**

Free and easy registration – also on mobile phones:

www.bosch-home.com/welcome

BOSCH
HOME APPLIANCES
SERVICE

Looking for help? You'll find it here.

Expert advice for your Bosch home appliances, help with problems or a repair from Bosch experts.

Find out everything about the many ways Bosch can support you:

www.bosch-home.com/service

Contact data of all countries are listed in the attached service directory.

BSH Hausgeräte GmbH

Carl-Wery-Straße 34
81739 München, GERMANY
www.bosch-home.com

A Bosch Company



8001263896 (030614)

en, fr