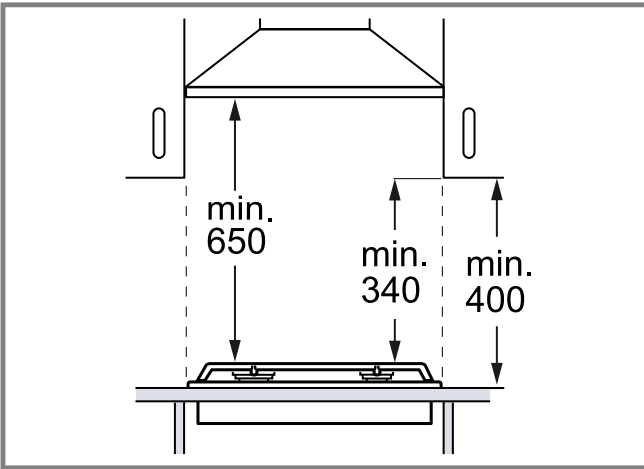
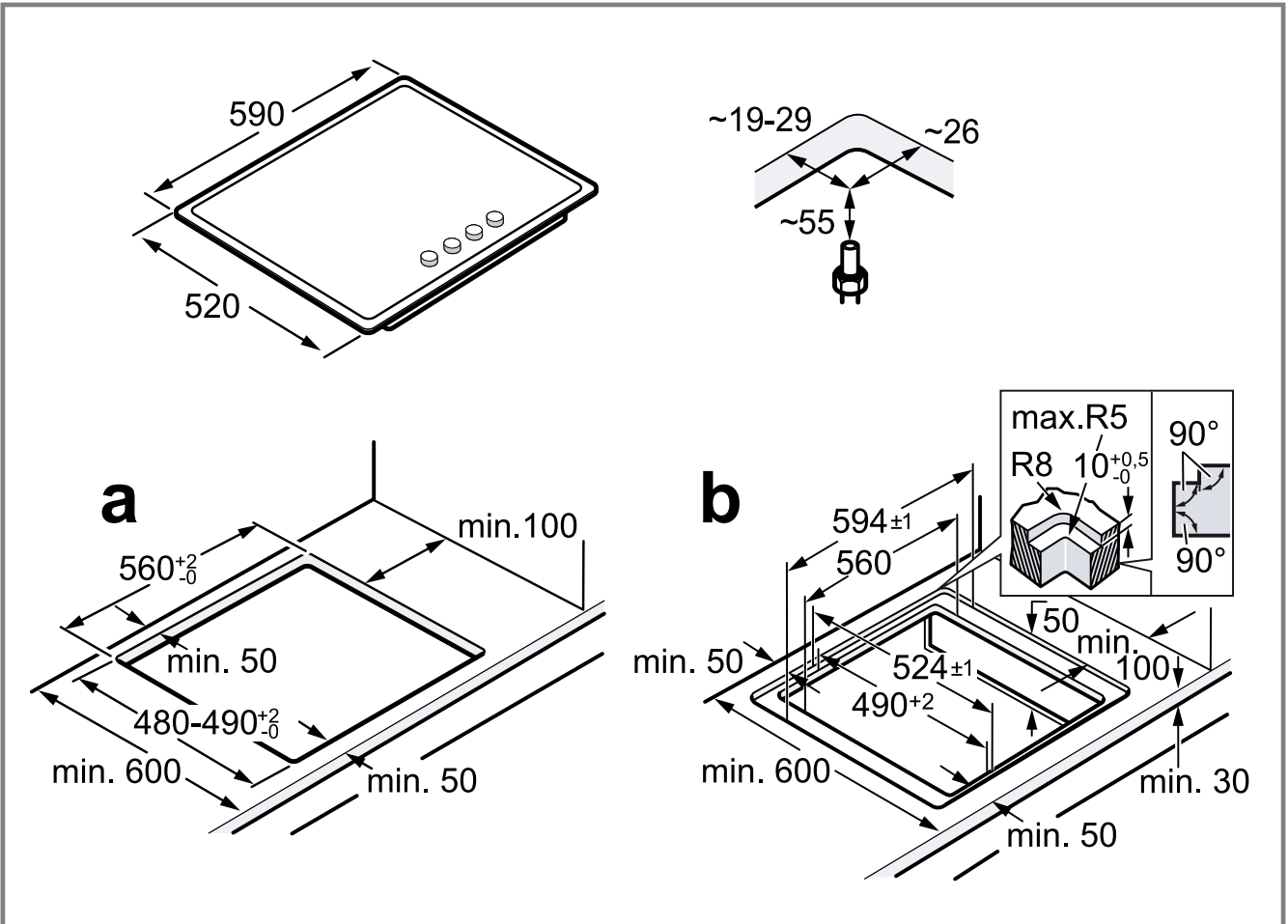




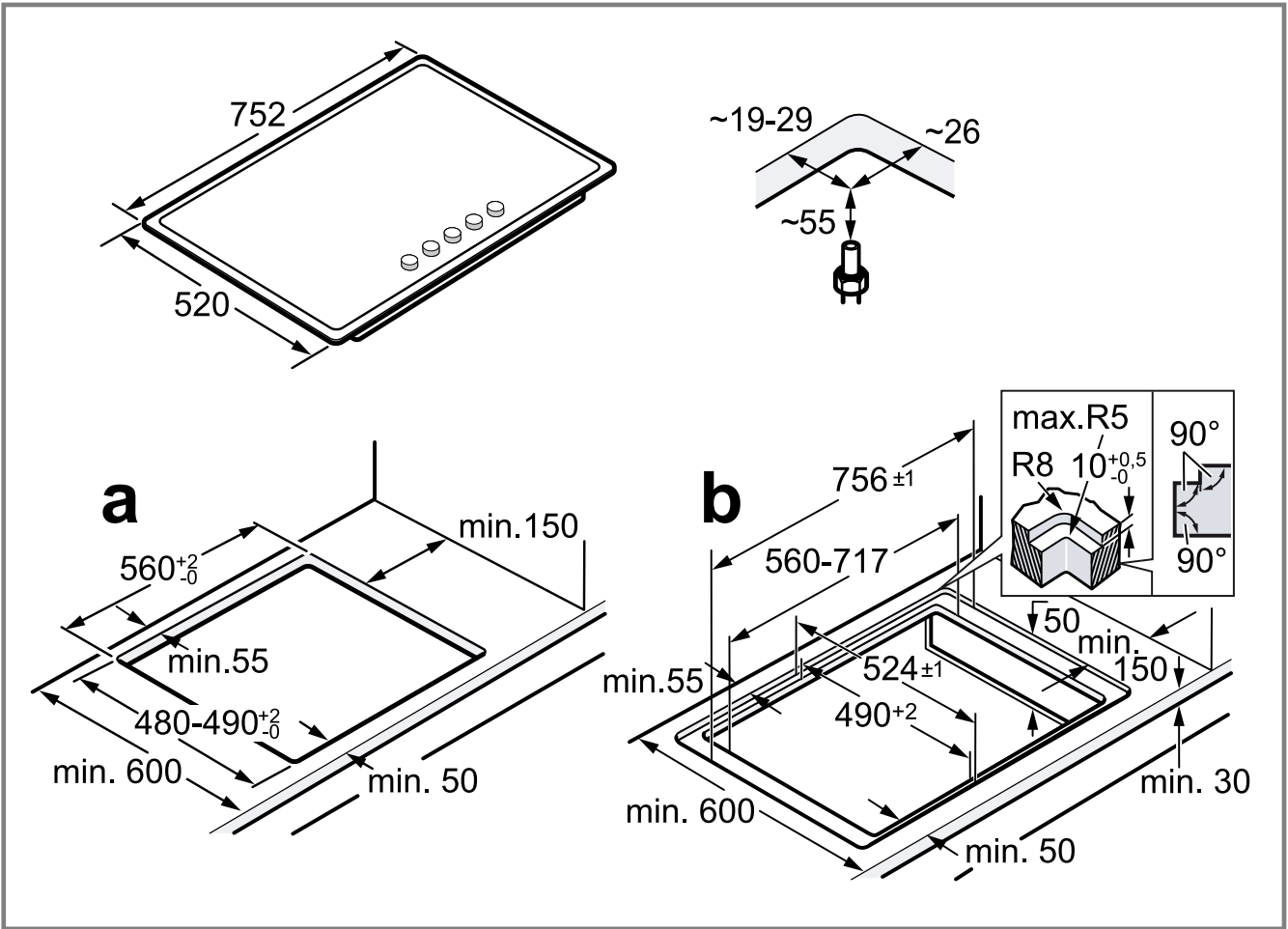
en Installation instructions



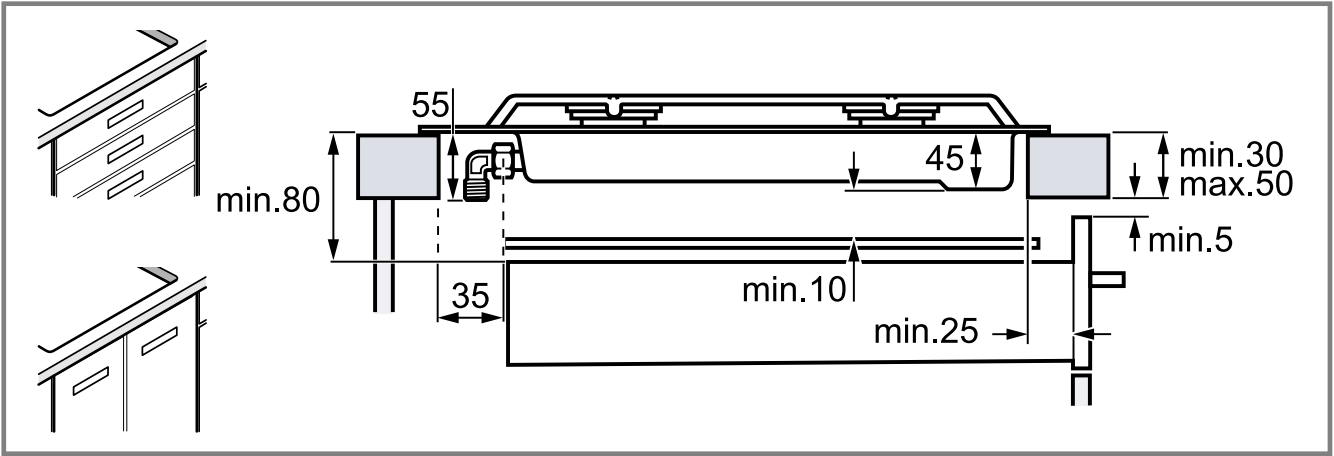
1



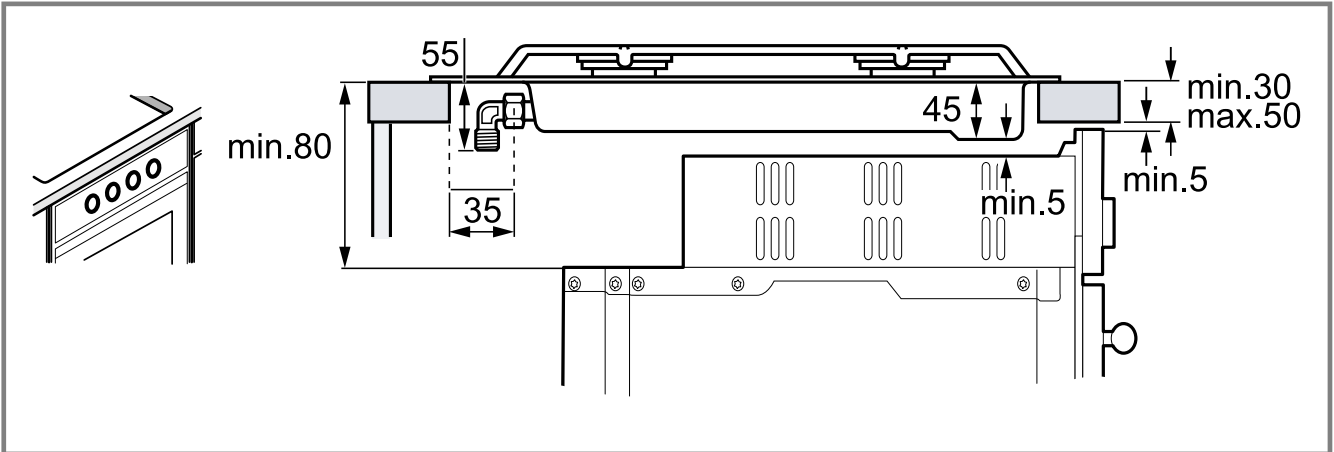
2



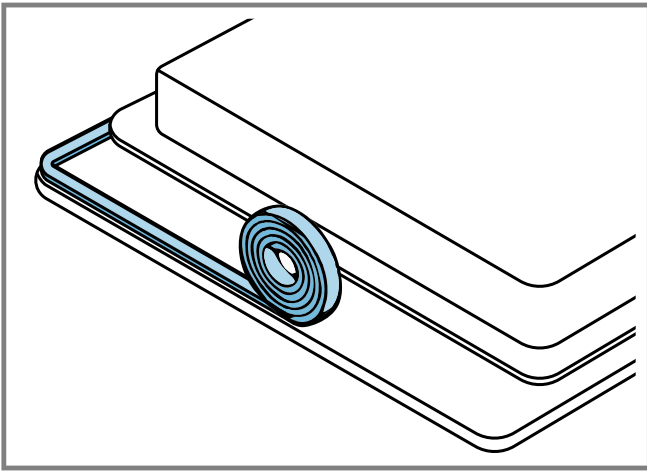
3



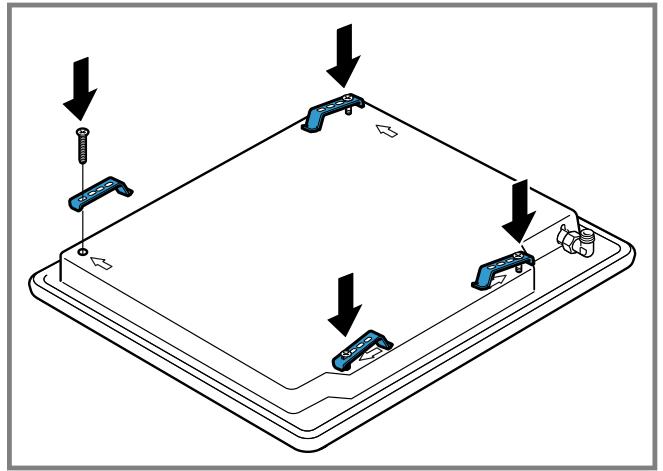
4



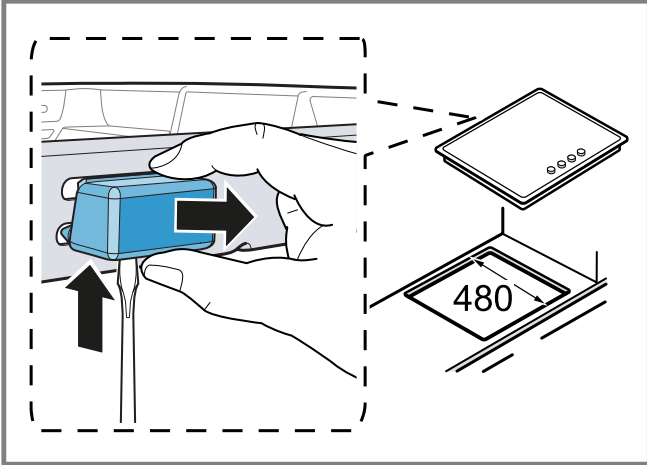
5



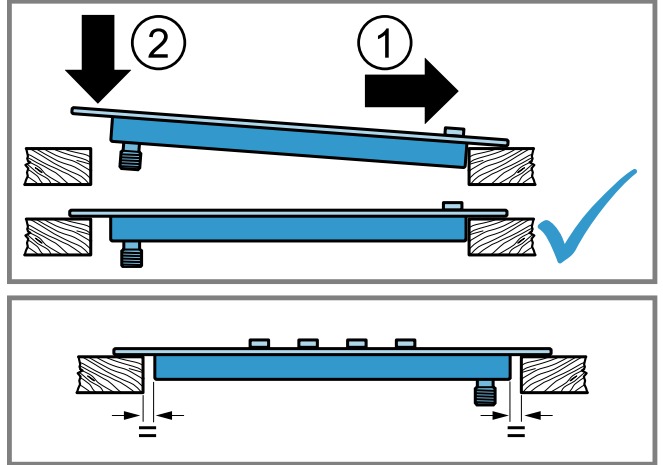
6



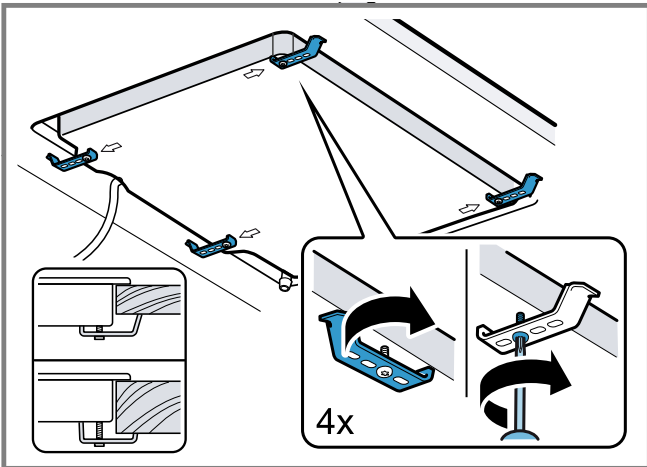
7



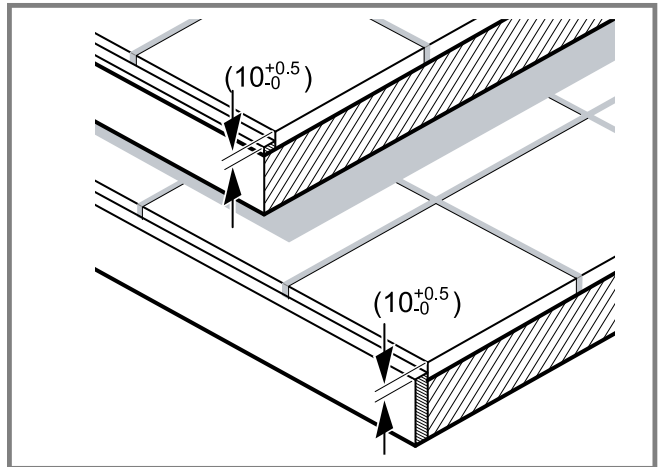
8



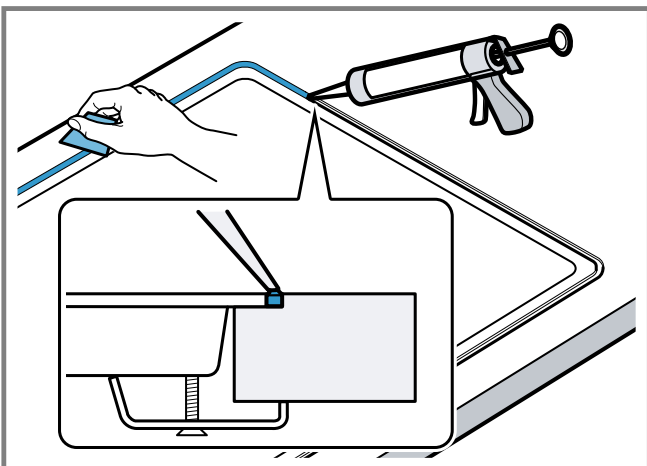
9



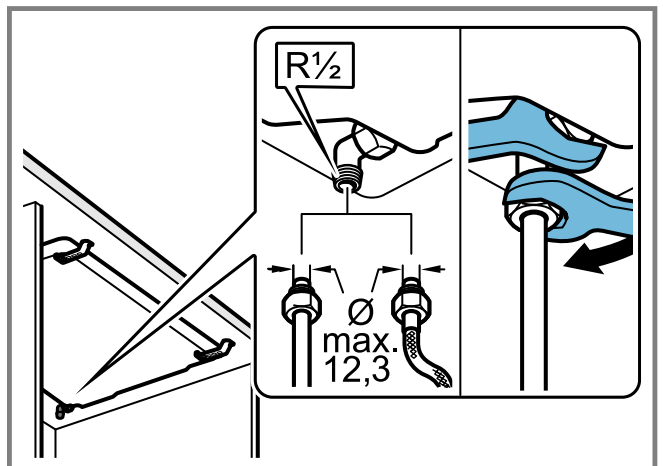
10



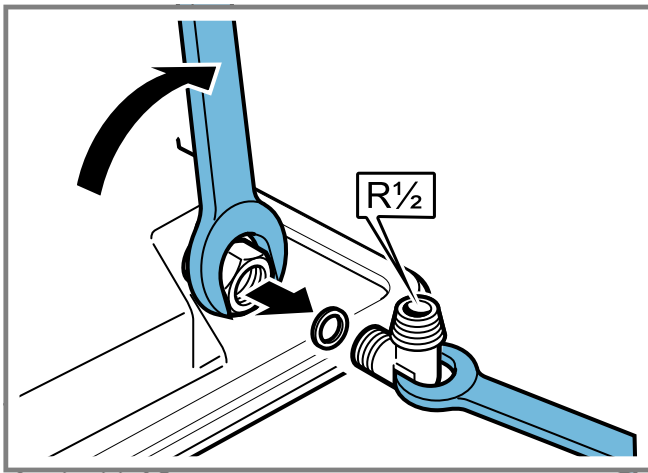
11



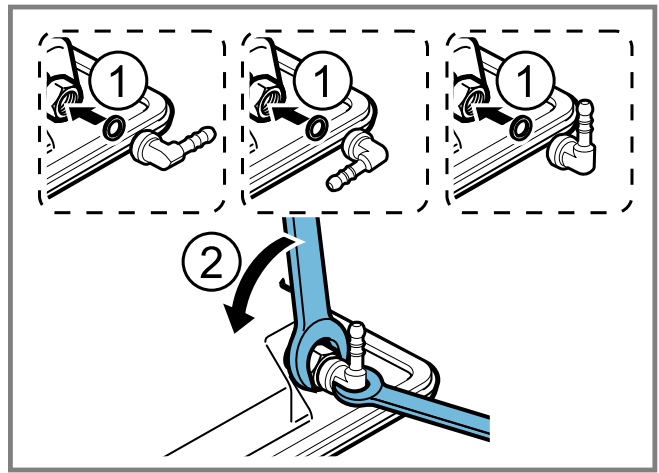
12



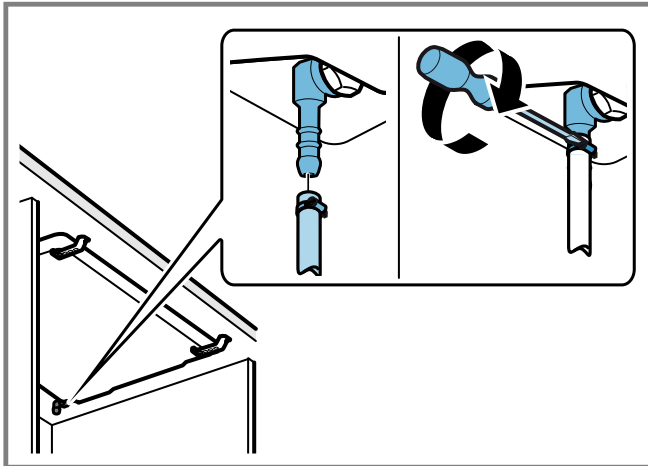
13



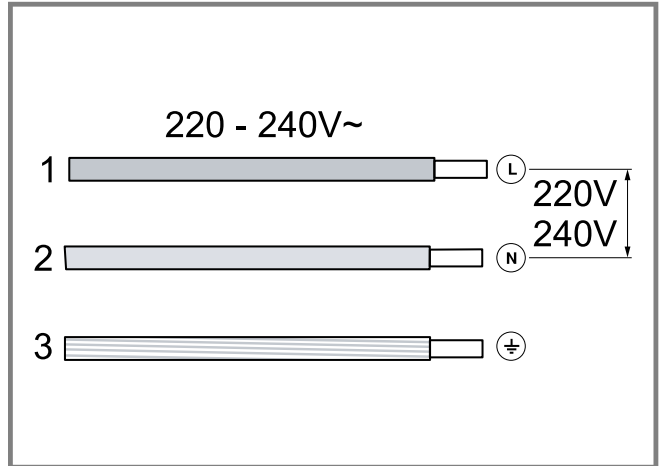
14



15



16



17

en

Safe installation

Follow these safety instructions when installing the appliance.

- Read this instruction manual carefully.
- The images shown in these instructions are for guidance only.
- The appliance can only be used safely if it is correctly installed according to the safety instructions. The installer is responsible for ensuring that the appliance works perfectly at its installation location.

⚠ WARNING – Risk of explosion!

Escaping gas may cause an explosion.

- ▶ All Installation, connection, regulating and conversion work to a different gas type must be carried out by an authorised professional while taking into account the respective applicable regulations and legal requirements as well as the regulations regarding the local electricity and gas suppliers. Special attention must be paid to the provisions and guidelines that are applicable for the ventilation. For conversion work to a different gas type, we recommend that you call the after-sales service.

⚠ WARNING – Risk of poisoning!

Harmful gases may be produced if combustion is incomplete.

- ▶ To ensure proper operation, sufficient combustion air must be supplied from the underside of the appliance. Ensure that there is a ventilation opening in the unit under the appliance with a total area of at least 100 cm².

- Ensure that the kitchen is sufficiently ventilated, in particular when operating the gas cooking appliance.
- Do not connect the appliance to an exhaust gas system for combustion products.
- Never install the appliance in boats or in vehicles.
- The warranty applies only when using the appliance as intended.
- Before installing the appliance, check that the local conditions of the supplier are compatible with the appliance settings specified on the rating plate (type of gas and pressure, power, voltage).
- Secure the power cord to the cabinet to prevent it from touching hot parts of the oven or hob.
- Before any work is carried out on the appliance, switch off the power supply and the gas supply.
- Connect the appliance to the power supply using the earth.
- Do not make any changes to the inside of the appliance. If required, contact our technical customer service.

Before installing

- This appliance is a class 3 appliance in accordance with the EN 30-1-1 standard for gas appliances: Built-in appliance.
- The unit in which the appliance is installed must be stable and secured appropriately.
- The units in the vicinity of the appliance, the laminated panels and the adhesive with which they are secured must be made of non-flammable, heat-resistant materials.
- Do not install this appliance above refrigerators, washing machines, dishwashers or similar.

- The appliance must only be installed on an oven with forced ventilation. Check the dimensions of the oven in the installation instructions for the oven.
- If you install an oven underneath the hob, the work surface thickness may differ from the dimensions given in these instructions. Take note of the information in the oven installation instructions.
- If you install an exhaust air fan or an extractor hood, refer to the installation instructions for these. Always observe the minimum vertical distance to the hob.

→ Fig. 1

Preparing the units

- Make a cut-out in the worktop with the required dimensions depending on the relevant installation method: Standard (a) or flush (b).

→ Fig. 2, → Fig. 3

- Seal the cut surfaces of wooden work surfaces with a special glue seal to protect them from moisture.
- If there is no built-in oven underneath the hob, insert a non-flammable separator (e.g. metal or plywood) at a distance of 10 mm from the hob. This prevents access to the underside of the hob. The distance from the intermediate floor to the mains connection for the appliance must be at least 10 mm.

→ Fig. 4, → Fig. 5

Preparing the furniture item for flush installation

- All cutting work on the work surface must be carried out in a specialist workshop.
- The cuts must be clean and precise because the cutting edge is visible on the surface. The stability of the units must also be ensured after the cutting work.
- Only use special, temperature- and water-resistant work surfaces (e.g. natural stone or tiles).
- The fitted unit must be heat-resistant up to 90 °C.

Positioning the appliance

Note: Do not use silicone to bond the appliance to the worktop.

1. Position the hob with the upper side facing down on a flat, stable surface.
2. Apply the adhesive seal supplied to the lower edge of the hob. The adhesive seal prevents the penetration of liquids.
→ Fig. 6
3. Screw the brackets supplied into the specified position so that they can turn freely.
→ Fig. 7
4. If you install the appliance in a 480 mm wide niche, you must remove the spacer, which is pre-installed on the back of some models.
→ Fig. 8
5. Turn the hob around and insert it into the recess. Insert the hob in the front of the recess.
→ Fig. 9
6. Turn the brackets and tighten them fully.
→ Fig. 10
The position of the brackets depends on the worktop thickness.

Installing the appliance flush

1. Install the appliance so that there is an even gap all around it. → "Positioning the appliance", Page 5
 - The hob should be slightly below the work surface. On tiled worktops, the contact surfaces can be raised, if necessary, with temperature- and water-resistant rails.
→ Fig. 11
2. Check that the appliance works correctly and is in the correct position.
3. Fill the gap between the work surface and the hob using a suitable commercially available silicone adhesive.
→ Fig. 12

Smooth the silicone adhesive with a spatula or a finger wetted with soap before a solid layer forms.

Note: Leave the silicone adhesive to dry before you use the appliance.

Tip: If you use an unsuitable silicone adhesive on natural stone work surfaces, it may cause discolouration that can no longer be removed. A suitable adhesive is available from our technical customer service.

Removing the appliance

1. Disconnect the appliance from the electricity and gas connections.
2. Unscrew the brackets and proceed in reverse order.

Connecting the gas

Observe the country-specific guidelines.

⚠ CAUTION – Risk of explosion!

A gas leakage may cause an explosion.

- ▶ If any connection is handled, check the seal.
- Arrange the gas connection so that the shut-off valve is accessible.
- Ensure that the information on the rating plate regarding the gas type and gas pressure complies with the local connection conditions.
- Connect the appliance to a fixed gas pipe or a flexible metal pipe.
- The flexible metal pipe must not come into contact with the moving parts of the unit in which the appliance is installed (e.g. a drawer) and must not be routed through any spaces which might become obstructed.
- Gas connection elbow on the appliance: R 1/2.
- Do not move or twist the gas connection elbow.

Spare parts for gas connection

You can obtain the gas connection parts from the technical customer service.

Pipe	10008508
------	----------

Gas connection R 1/2

→ Fig. 13

LPG rubber hose connection

1. Replace the appliance's gas inlet elbow with the pipe that is supplied in the accessory bag.
→ Fig. 14, → Fig. 15
2. Insert the rubber hose into the end of the pipe and tighten the screw on the hose clamp.
→ Fig. 16

Electrical connection

- This appliance is type Y: The connection cable must only be replaced by technical customer service and not by the user. The cable type and the minimum cross section must be respected.
- The hobs are supplied with a power cord with or without a plug.
- Only connect appliances that are fitted with a plug to a correctly installed socket with protective earth conductor.
- If the plug is not accessible to the user, an all-pole isolating safety switch with a minimum contact opening of 3 mm must be provided.

→ Fig. **17**

