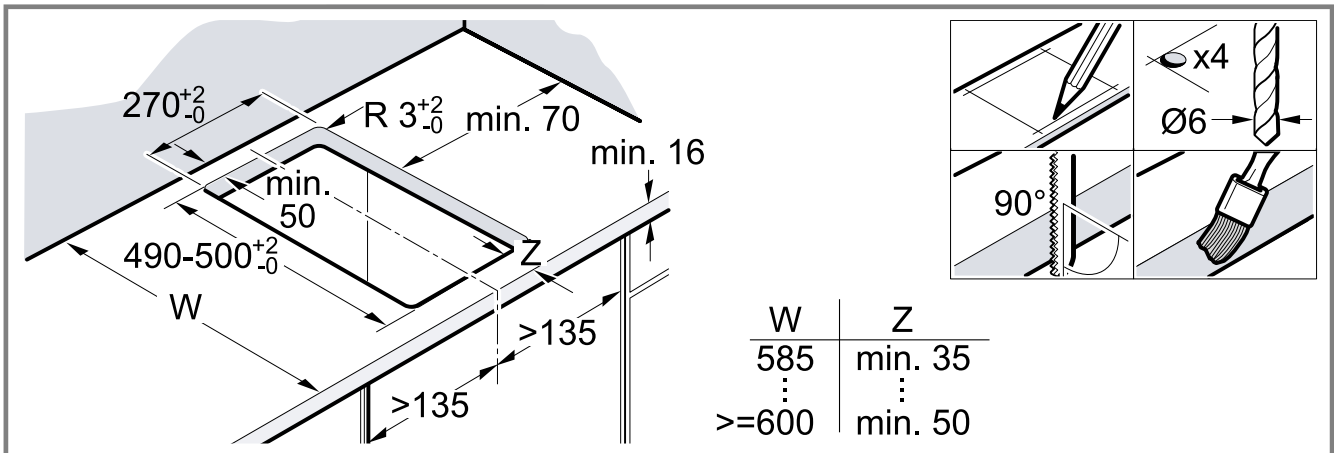
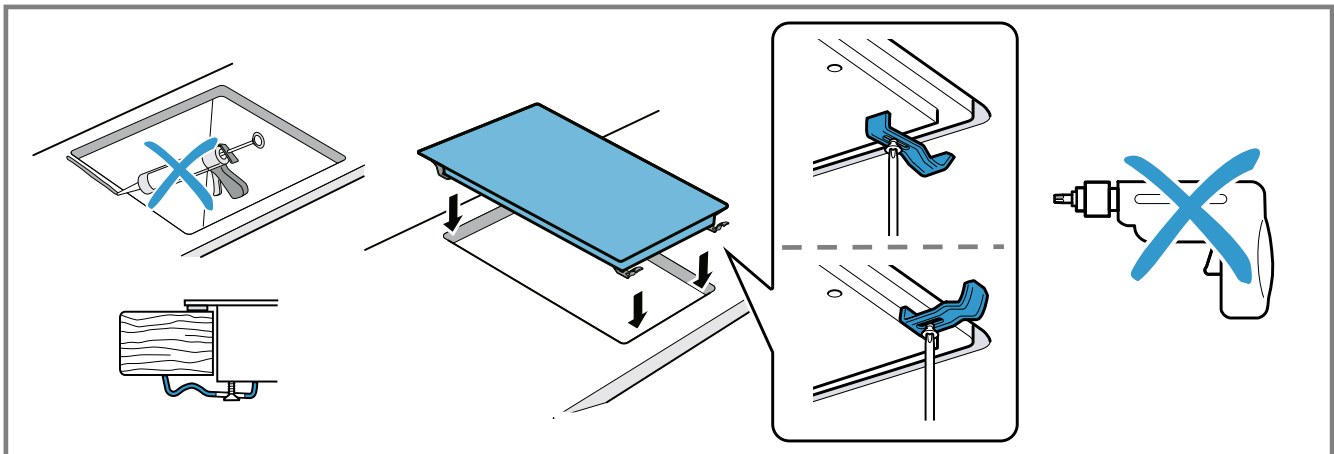




en Installation instructions

**1****2**

en

Safe installation

Follow these safety instructions when installing the appliance.

- Electrical connection must only be carried out by a licensed expert. Incorrect connection will invalidate the warranty.
- The safe operation of this appliance can only be guaranteed if it has been installed to a professional standard in accordance with these installation instructions. The installer shall be liable for any damage resulting from incorrect installation.

Built-under

Do not install refrigerators, dishwashers, non-ventilated ovens or washing machines underneath the appliance.

- If you fit a modular or compact dishwasher of the same brand underneath the appliance, the worktop must be at least 40 mm thick.

- If you fit an oven below the appliance, the worktop must be at least 20 mm thick, in certain cases even thicker. Observe the information in the oven installation instructions.

Combination with other hobs

If the appliance is combined with a gas hob, the worktop must be at least 20 mm thick. Follow the instructions in the installation instructions for the gas hob.

Intermediate floor

If the underside of the hob can be touched, an intermediate floor must be fitted.

- The minimum distance to the lowest point of the hob is 10 mm.

Preparing the units

The worktop must be level, horizontal and stable.

- The fitted unit must be heat-resistant to at least 90 °C.
- Seal the cut surfaces to make them heat-resistant. This prevents the worktop from swelling as a result of moisture.

→ Fig. 1

Electrical connection

Observe the country-specific guidelines.

- In order to prevent dangerous situations, if the power cord of this appliance is damaged, it must be replaced by the manufacturer, the manufacturer's customer service or a similarly qualified person.
- The appliance fulfils the requirements of protection class I and must only be operated in conjunction with an earth conductor.
- In the permanent electrical installation, a partition must be provided in the phases in accordance with the installation regulations.
- If **U400** appears on the appliance's display, it has not been connected correctly. Disconnect the appliance from the mains and check the connection.
- Ensure that there is sufficient fuse protection for the household wiring.
- Observe the colour coding of the power cable.

Green and yellow	Protective conductor ⊕
Blue	<ul style="list-style-type: none">▪ Neutral for mains voltage connection 220-240 V▪ Phase (external conductor) for mains voltage connection 400 V
Brown/black	Phase conductor (external conductor)

Installing the hob

Do not use silicone to bond the appliance to the worktop.

Note: Do not kink or trap the connection cable, and keep it away from sharp edges and hot parts.

- If the oven is a built-under type, route the cable along the rear corners of the oven to the mains socket.
- Use at least 4 retaining springs to secure the appliance.

→ Fig. 

Removing the hob

1. Disconnect the appliance from the power supply.
2. Loosen the retaining springs.
3. Push out the hob from below.

