

Installation **GUIDE**

Professional Series Pro Harmony® Induction
Ranges

PRI30LBHU PRI30LBHC PRI36LBHU
PRI36LBHC



Table of contents

1 IMPORTANT SAFETY INSTRUCTIONS.....	3
1.1 Safety definitions.....	3
1.2 General safety instructions.....	3
1.3 Appliance handling safety	4
1.4 Electrical safety.....	4
1.5 Safety codes and standards.....	5
1.6 REAR CLEARANCE REQUIREMENTS.....	5
1.7 State of California Proposition 65 Warnings	6
2 Before you begin.....	7
2.1 Parts included	7
2.2 Tools and parts needed	7
2.3 Power requirements and grounding	7
2.4 Ventilation requirements	7
3 Unpacking and moving the appliance	7
3.1 Removing packaging.....	7
3.2 Moving the appliance	8
4 Installation requirements	8
4.1 Appliance dimensions	8
4.2 Location requirements.....	8
5 Prior to installation	9
5.1 Installing the anti-tip bracket.....	9
5.2 Removing the oven door	9
6 Electrical connection	10
6.1 Electrical requirements.....	11
6.2 Preparation for power connection.....	11
6.3 Installing a four-wire connection	11
6.4 Installing a three-wire connection	12
6.5 Electric wiring diagrams and schematics.....	13
7 Installation procedure	13
7.1 Adjusting the leveling legs.....	13
7.2 Placing the range	13
7.3 Adjusting the toe kick panel.....	14
7.4 Reinstalling the oven door.....	14
8 Testing the operation.....	15
9 Customer Service	15
9.1 Model number (E-Nr.) and production number (FD)	15
9.2 Rating plate location.....	15



IMPORTANT SAFETY INSTRUCTIONS

READ AND SAVE THESE INSTRUCTIONS

Read all instructions carefully before use. These precautions will reduce the risk of electrical shock, fire and injury to persons. When using kitchen appliances, basic safety precautions must be followed including those in the following pages.

⚠ WARNING:

Never Operate the Top Surface Cooking Section of this Appliance Unattended.

- **Failure to follow this warning statement could result in fire, explosion, or burn hazard that could cause property damage, personal injury, or death.**
- **If a fire should occur, keep away from the appliance and immediately call your fire department.**

DO NOT ATTEMPT TO EXTINGUISH AN OIL/GREASE FIRE WITH WATER.

1.1 Safety definitions

Here you can find explanations of the safety signal words used in this manual.

⚠ WARNING

This indicates that death or serious injuries may occur as a result of non-observance of this warning.

⚠ CAUTION

This indicates that minor or moderate injuries may occur as a result of non-observance of this warning.

NOTICE:

This indicates that damage to the appliance or property may occur as a result of non-compliance with this advisory.

Note: This alerts you to important information and/or tips.

1.2 General safety instructions

All product manuals may be downloaded online at www.thermador.com/us/support/owner-manuals.

IMPORTANT: THE APPLIANCE MUST BE INSTALLED BY A QUALIFIED INSTALLER.

IMPORTANT: SAVE THESE INSTRUCTIONS FOR THE LOCAL ELECTRICAL INSPECTOR'S USE.

INSTALLER: LEAVE THESE INSTALLATION INSTRUCTIONS WITH THE UNIT FOR THE OWNER.

OWNER: Please retain these instructions for future reference. Read all safety instructions before operating the appliance. Have the installer show you where the electric circuit breaker is located so you know how and where to turn off the electricity to the appliance.

Examine the appliance after unpacking it. In the event of transport damage, do not plug it in.

WARNING

If the information in this manual is not followed exactly, fire or shock may result causing property damage or personal injury.

Do not repair, replace or remove any part of the appliance unless specifically recommended in the manuals. Improper installation, service or maintenance can cause injury or property damage.

- ▶ Refer to this manual for guidance.
- ▶ All other servicing should be done by an authorized service provider.

WARNING

DANGER OF TIPPING ON RANGES



- ▶ All ranges can tip and injury can result. To prevent accidental tipping of the range, attach it to the floor, wall, or cabinet by installing the anti-tip bracket supplied.



IMPORTANT SAFETY INSTRUCTIONS

READ AND SAVE THESE INSTRUCTIONS

- ▶ A child or adult can tip the range over and be killed or seriously injured. Verify that the anti-tip bracket is securely installed. Ensure the anti-tip bracket is engaged when the range is moved.
- ▶ **DO NOT** operate the range without the anti-tip bracket in place. Failure to follow the instructions in this manual can result in death or serious burns to children and adults.
- ▶ If the range is moved for cleaning, service, or any other reason, ensure that the anti-tip bracket is properly reengaged when the range is pushed back into place. In the event of abnormal usage (such as a person standing, sitting, or leaning on an open door), failure to take this precaution can result in tipping of the range. Personal injury might result from spilled hot liquids or from the range itself.
- ▶ Check for proper installation and use of anti-tip bracket. Carefully tip range forward pulling from the back to ensure that the anti-tip bracket engages the range and prevents tip-over. Range should not move more than 1" (2.5 cm).

Never modify or alter the construction of the appliance.

- ▶ For example, do not remove leveling legs, panels, wire covers or anti-tip brackets/screws.

The appliance should only be used if installed by a qualified technician in accordance with these installation instructions and all applicable regulations and codes. The manufacturer is not responsible for any damage resulting from incorrect installation or the failure to follow appropriate local codes and regulations.

To eliminate the risk of burns or fire by reaching over heated surface units, cabinet storage space located above the surface units should be avoided.

- ▶ If cabinet storage is to be provided, the risk can be reduced by installing a hood that projects horizontally a minimum of 5" (127 mm) beyond the bottom of the cabinet.
- ▶ Verify that cabinets above the cooktop are a maximum of 13" (330 mm) deep.

WARNING

DO NOT install this appliance outdoors.

WARNING

Remove all tape and packaging before using the appliance.

- ▶ Dispose of packaging in an environmentally responsible manner.
- ▶ Never allow children to play with packaging material.
- ▶ Store small parts safely as they can be a choke hazard.

WARNING

To avoid possible burn or fire hazard, a backguard designed specifically for this appliance should be installed whenever the appliance is used.

NOTICE:

There is a possibility to discolor the back wall under certain cooking conditions.

1.3 Appliance handling safety

WARNING



Unit is heavy and requires at least two people or proper equipment to move.

- ▶ Do not lift appliance by door handle.
- ▶ Do not lift the appliance by the oven control panel.
- ▶ Remove the door for easier handling and installation. See instructions in this manual.
- ▶ Do not use a hand truck or appliance dolly on the back or front of the appliance. Handle from the side only.

WARNING



Hidden surfaces may have sharp edges.

- ▶ Use caution when reaching behind or under appliance.
- ▶ Wear gloves to avoid cutting fingers on sharp edges during installation.

1.4 Electrical safety

- **Installer** - show the owner the location of the circuit breaker or fuse. Mark it for easy reference.
- If required by the National Electrical Code (or Canadian Electrical Code), this appliance must be installed on a separate branch circuit.



IMPORTANT SAFETY INSTRUCTIONS

READ AND SAVE THESE INSTRUCTIONS

- Local codes vary. The installer is responsible for ensuring that the installation, connections, and grounding comply with all applicable codes. The manufacturer is not responsible for improper installation or the failure to follow appropriate local codes and regulations.
- Be sure your appliance is properly installed and grounded by a qualified technician in accordance with the National Electrical Code ANSI/NFPA 70 latest edition and local electrical code requirements.
- Only a power supply cord kit rated for this appliance and marked "For Use With Ranges" shall be used.
- Refer to the rating plate for more information.
→ "Rating plate location", Page 15

WARNING

Before installing, turn power OFF at the service panel.

- ▶ Lock service panel to prevent power from being turned ON accidentally.



ELECTRIC SHOCK HAZARD

- ▶ Disconnect power before installing or servicing. Before turning power ON, be sure that all controls are in the OFF position.
- ▶ DO NOT remove connections.
- ▶ DO NOT use an extension cord.
- ▶ Improper grounding can result in a risk of electric shock.
- ▶ Failure to follow these instructions can result in death, fire, or electrical shock.

GROUNDING INSTRUCTIONS

- ▶ This appliance must be grounded.
- ▶ Grounding reduces the risk of electric shock by providing a safe pathway for electric current in the event of a short circuit.
- ▶ Be sure your appliance is properly installed and grounded by a qualified technician.
- ▶ Installation, electrical connections and grounding must comply with all applicable codes.

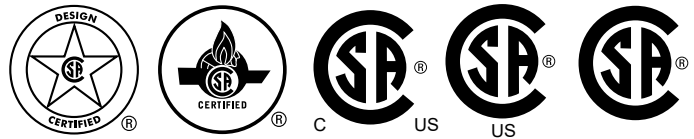
Do not use an extension cord. If the power supply cord is too short, have a qualified electrician install an outlet near the appliance.

Before you turn on power supply, make sure all controls are in the OFF position.

1.5 Safety codes and standards

This appliance complies with the latest version of one or more of the following standards:

- UL 858 - Household Electric Ranges
- CAN/CSA C22.2 No. 61 - Household Cooking Ranges



Applicable codes:

- Check local building codes for the proper method of appliance installation.
- Local codes vary; it is the responsibility of the installer to ensure installation is in accordance with these codes.
- Installation, electrical connections, and grounding must comply with all applicable codes.
- The installation of appliances designed for manufactured (mobile) home installation must conform with the Manufactured Home Construction and Safety Standard, Title 24 CFR, Part 3280 [formerly the Federal Standard for Mobile Home Construction and Safety, Title 24, HUD {Part 280}] or with local codes where applicable.
- The installation of appliances designed for Recreational Park Trailers must conform with state or other codes or, in the absence of such codes, with the ANSI A119.5 Park Model Recreational Vehicle Standard.

It is the responsibility of the owner and the installer to determine if additional requirements and/or standards apply to specific installations.

1.6 REAR CLEARANCE REQUIREMENTS

To avoid staining on the back wall, high temperature, non-porous construction materials suitable for use in a cooking environment are recommended.

IMPORTANT: There is a possibility to discolor the back wall under certain cooking conditions.

All models listed are suitable for 0" rear clearance to combustible surfaces.

Clearances should be approved by the local codes and/or by the local authority having jurisdiction.

Clearances from non-combustible materials are not part of the ANSI Z21.1 scope and are not certified by CSA.



IMPORTANT SAFETY INSTRUCTIONS

READ AND SAVE THESE INSTRUCTIONS

1.7 State of California Proposition 65 Warnings

This product may contain a chemical known to the State of California, which can cause cancer or reproductive harm. Therefore, the packaging of your product may bear the following label as required by California:

STATE OF CALIFORNIA PROPOSITION 65 WARNING:

 **WARNING**

Cancer and Reproductive Harm - www.P65Warnings.ca.gov

2 Before you begin

This Installation Guide covers several models. All graphics are representative. Your appliance may vary in appearance and features.

2.1 Parts included

After unpacking all the parts, check for any damage in transit and for completeness of delivery.

- Anti-tip bracket
- 1½" (38 mm) cross-head screws (4)
- Terminal lugs; for use with hard-wired installations (not required for Canadian installations)

2.2 Tools and parts needed

Prepare these tools and accessories before you start to install your appliance.

Tools

- Pencil
- Measuring tape
- Level
- Safety glasses
- Safety gloves
- 7/16" (11 mm) box end wrench or ratchet and socket
- Hand or electric drill
- ¾" (4.76 mm) drill bit
- ⅛" (3.17 mm) drill bit
- T-20 star bit screwdriver
- T-30 star bit screwdriver
- 12" (305 mm) adjustable wrench
- Cross head screwdriver
- Cloth or cardboard to protect floor
- Furniture dolly or sled

Additional parts needed

- Drywall / concrete anchors
- 40 or 50 Amp power supply cord kit with strain relief; depending on local codes. (Not necessary for Canadian installations, cord is preinstalled at factory.)
- Rope/twine

Additional parts needed for hard-wired installations

- Flexible conduit
- Torque wrench

NOTICE:

There is a possibility to discolor the back wall under certain cooking conditions.

2.3 Power requirements and grounding

The outlet must be properly grounded in accordance with all applicable codes.

2.4 Ventilation requirements

- Refer to the "Ventilation Planning Guide" for approved ventilation combinations.
- It is strongly recommended that this appliance be installed in conjunction with a Thermador vent hood. Due to the high heat capability of this appliance, particular attention should be paid to the hood and duct work installation to assure it meets local building codes.

- Ventilation hoods and blowers are designed for use with single wall ducting. However, some local building codes or inspectors may require double wall ducting. Consult local building codes and/or local agencies before starting to assure that hood and duct installation will meet local requirements.

NOTICE:

Most range hoods contain combustible components which must be considered when planning the installation.

Preparing for the ventilation

1. Select hood and blower models.
 - For wall installations, the hood width must, at a minimum, equal the width of the range/rangetop. Where space permits, a hood larger in width than the range/rangetop may be desirable for improved ventilation performance.
 - For island installations, the hood width should overhang the width of the range/rangetop by a minimum of 3" (76 mm) on each side.
2. Consider hood placement.
 - For best smoke elimination, the lower edge of the hood should be installed 30" (762 mm) above the range cooking surface.
 - If the hood contains any combustible materials (i.e. a wood covering), it must be installed a minimum of 36" (914 mm) above the cooking surface.
3. Consider make-up air.
 - Due to the high volume of ventilation air, a source of outside replacement air is recommended. This is particularly important for tightly sealed and insulated homes.
 - A qualified heating and ventilating contractor should be consulted.

3 Unpacking and moving the appliance

WARNING



Unit is heavy and requires at least two people or proper equipment to move.

- ▶ Do not lift appliance by door handle.
- ▶ Do not lift the appliance by the oven control panel.
- ▶ Remove the door for easier handling and installation. See instructions in this manual.
- ▶ Do not use a hand truck or appliance dolly on the back or front of the appliance. Handle from the side only.

WARNING



Hidden surfaces may have sharp edges.

- ▶ Use caution when reaching behind or under appliance.
- ▶ Wear gloves to avoid cutting fingers on sharp edges during installation.

3.1 Removing packaging

See the diagram on the packaging.

1. Remove the outer carton and packing materials from the shipping pallet.

- Leave the protective film over brushed-metal surfaces until the range is installed in its final position, to protect the finish from scratches.
 - Do not remove the control panel foam until the appliance is completely installed.
2. Remove the pallet bolts in the front and in the back using a $\frac{7}{16}$ " (11 mm) box end wrench or ratchet and socket.
 3. Lift the appliance and remove it from the pallet. Use additional help as required.
 4. Dispose of packaging material in an environmentally responsible manner.

3.2 Moving the appliance

Due to the weight, a furniture dolly with soft wheels or an air lift should be used to move this appliance. The weight must be supported uniformly across the bottom.

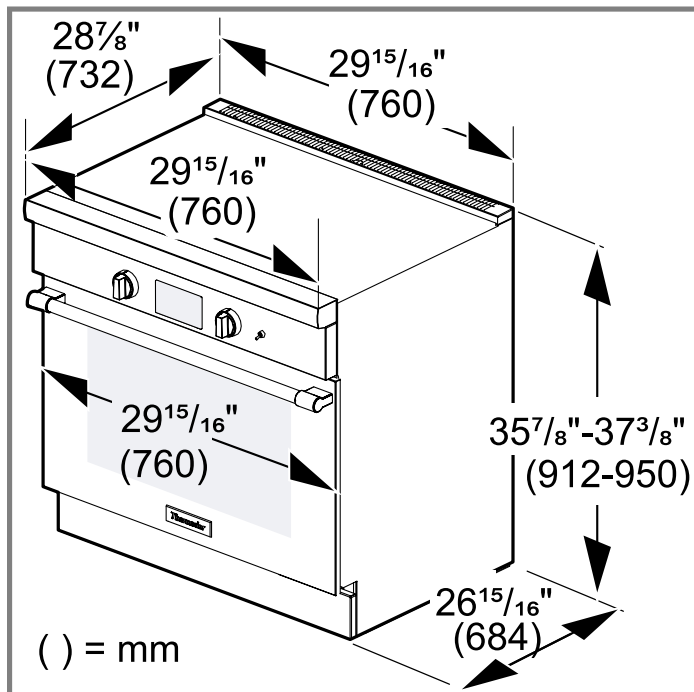
1. Transport the appliance with a furniture dolly or air lift close to its final location.
 - Do not dolly the appliance from the front or back.
 - DO NOT slide the appliance across an unprotected floor.
2. The appliance can be tipped back and supported on the rear legs while the dolly is carefully removed. THE FLOOR UNDER THE LEGS SHOULD BE PROTECTED BEFORE PUSHING THE UNIT INTO POSITION.

4 Installation requirements

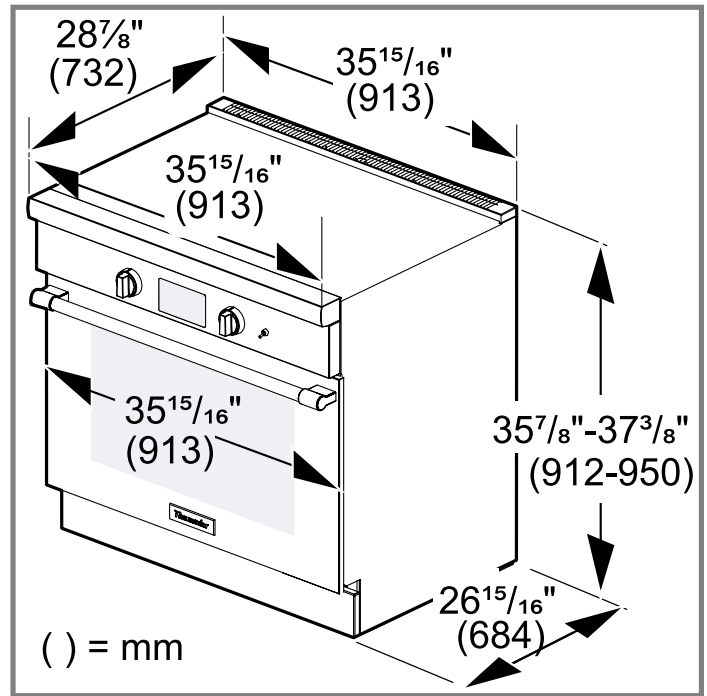
Read these instructions to prepare the installation space for your appliance.

4.1 Appliance dimensions

30" Ranges



36" Ranges



4.2 Location requirements

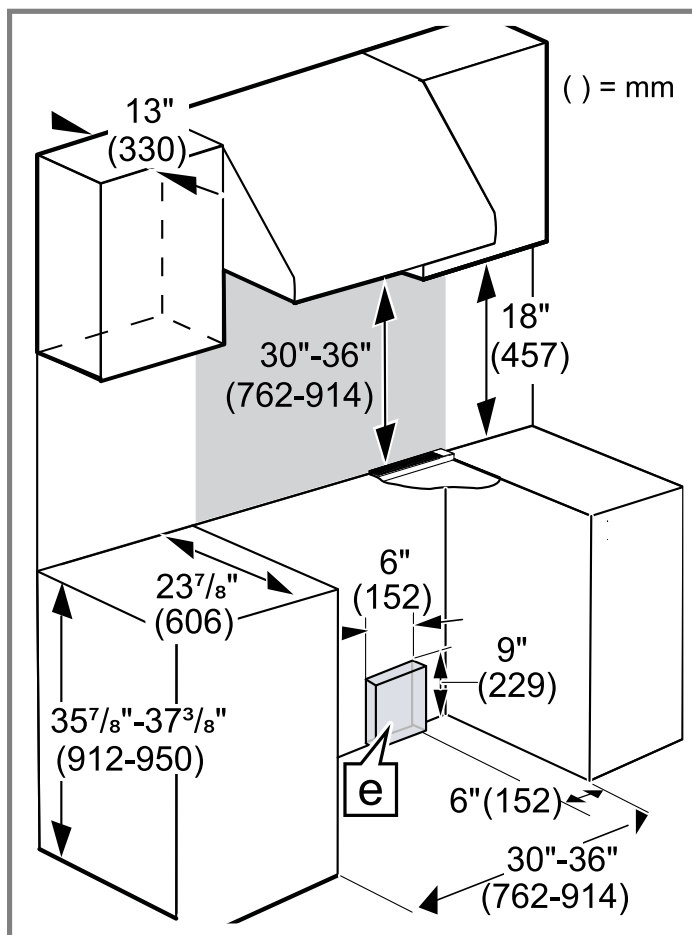
The appliance is a free standing unit. If the appliance is to be placed adjacent to cabinets, the clearances shown in this section are required. The same clearances apply to island installations, except for the overhead cabinets, which must have a space wide enough to accept the island hood.

Specifications:

- The electrical supply should be within zone e shown in the image on clearance requirements.
- Any opening in the wall behind the appliance and in the floor under the appliance shall be sealed.
- The shaded area behind the appliance indicates an opportunity to discolor the back wall under certain cooking conditions.
- There must be a minimum of 5" (127 mm) side clearance from the appliance to combustible vertical surfaces above the 36" (914 mm) counter height.
- This unit is designed for installation near adjacent walls and projecting surfaces constructed of combustible materials. No clearance is required from unit walls to adjacent vertical combustible walls on rear, right or left sides.
- Wall cabinets within this 5" (127 mm) side clearance must be 18" (457 mm) above the 36" (914 mm) high countertop.
- The maximum depth of the cabinets hanging on either side of the hood is 13" (330 mm).
- There is a 36" (914 mm) minimum clearance required between the top of the cooking surface and the bottom of an unprotected cabinet. A 30" (762 mm) clearance can be used when the bottom of the wood or metal cabinet is protected by not less than $\frac{1}{4}$ " (6 mm) of a flame retardant material covered with not less than No. 28 MSG sheet steel, 0.015" (0.38 mm) thick stainless steel, 0.024" (0.61 mm) aluminum, or 0.02" (0.51 mm) thick copper.
- DO NOT obstruct oven vents.

- The appliance height is adjustable. The level of the range top must be at the same level or above the counter top level.
- To provide proper ventilation of the range DO NOT remove the range feet.

Cabinet clearance requirements



e Location of power outlet

- For an island trim install, the counter surface should have a cantilever edge meeting the back section of the island trim.
- If an inner wall is used under the cantilever counter top there should be a 1/8" (3 mm) gap from the rear of the appliance.

5 Prior to installation

Carry out these steps to prepare your appliance for installation.

5.1 Installing the anti-tip bracket

The range can tip forward, potentially causing injury and damage, if the anti-tip bracket is not properly installed. Do not operate the range without the anti-tip bracket in place.

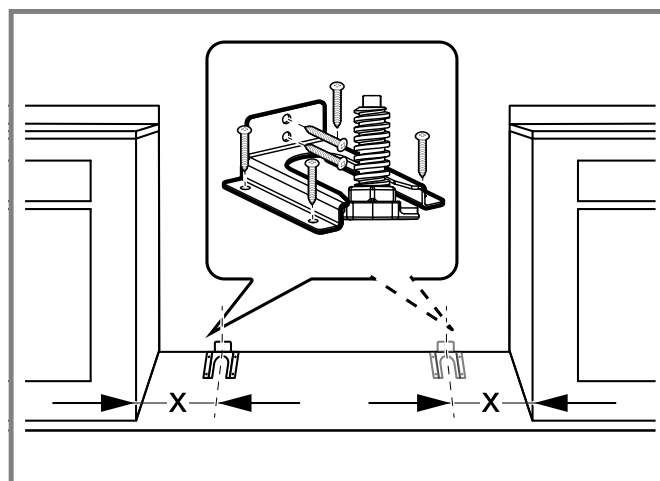
⚠ WARNING

- A child or adult can tip the range over and be killed.
- ▶ Verify that the anti-tip bracket is securely installed. Ensure the anti-tip bracket is engaged when the range is moved.

⚠ WARNING ELECTRICAL SHOCK HAZARD

- ▶ Use extreme caution when drilling holes into the wall or floor as there may be concealed electrical wires.
- ▶ Identify the electrical circuits that could be affected by the installation of the anti-tip bracket, then turn off power to these circuits.
- ▶ Failure to follow these instructions may result in electrical shock or other personal injury.

1. Remove the anti-tip bracket from the literature packet, inside the box that was on top of the appliance.
2. Place the anti-tip bracket on the floor as shown. It may be placed on either the left or the right side.
 - Measure and mark the distance stated for your appliance model. Center the anti-tip bracket on the marking.



Model	Value for "X"
30"	1 3/4" (45 mm)
36"	2 3/16" (56 mm)

3. For walls, wall studs, or floors composed of solid wood or metal, drill 1/8" (3 mm) pilot holes.
4. Secure the anti-tip bracket to the floor and/or the wall stud using the (4) 1 1/2" (38 mm) cross-head screws provided.
5. When installing the appliance, ensure that the adjustable leg slides under the anti-tip bracket.

5.2 Removing the oven door

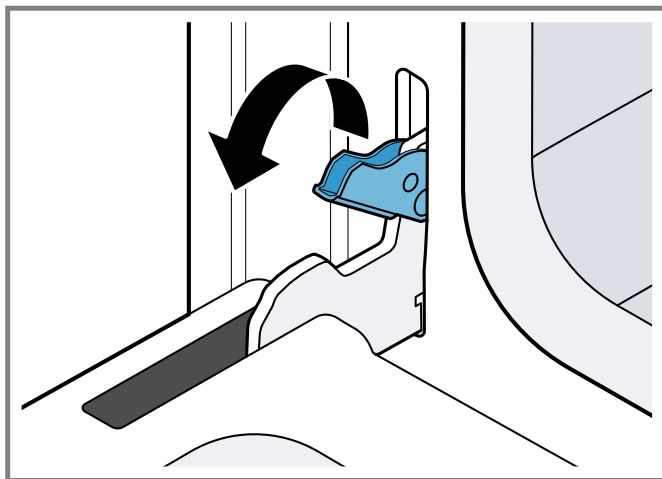
It is recommended to remove the oven door to reduce the weight of the appliance and to facilitate its handling and installation.

⚠ WARNING

- Failure to follow these instructions when removing the oven door may lead to personal injury or product damage.
- ▶ Make sure oven is cool and power to the oven has been turned off before removing the door. Failure to do so could result in electrical shock or burns.
 - ▶ The oven door is heavy and parts of it are fragile. Use both hands to remove the oven door.
 - ▶ The door front is glass. Handle it carefully to avoid breakage.
 - ▶ Grasp only the side of the oven door. Do not grasp the handle. It may swing in your hand and cause damage or injury. Failure to grasp the oven door firmly and properly could result in personal injury or product damage.

- ▶ To avoid injury from hinge bracket snapping closed, be sure both levers are securely in place before removing the door.
- ▶ Do not force the door open or closed. The hinge could be damaged and cause damage or injury.
- ▶ Do not lay the removed door on sharp or pointed objects as this could break the glass. Lay it on a flat, smooth surface, positioned so that the door cannot fall over.

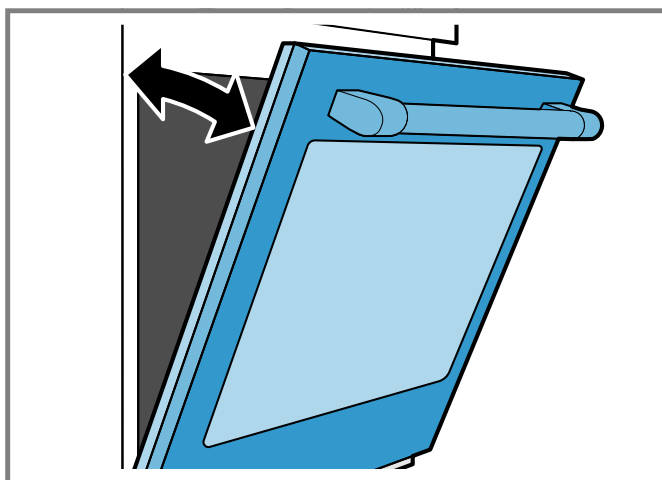
1. Open the oven door to its fully open position.
2. Flip levers on hinges toward you.



If necessary, use a tool, such as a screwdriver, to gently pry the upper part of the lever away from the housing. Take care to avoid scratching the housing.

3. Bring both door hinge levers to their fullest down position. The left and right door hinges differ slightly but operate in the same manner.
4. **⚠ CAUTION** Follow the instructions below to prevent the latch from slamming shut and pinching or cutting your hand.

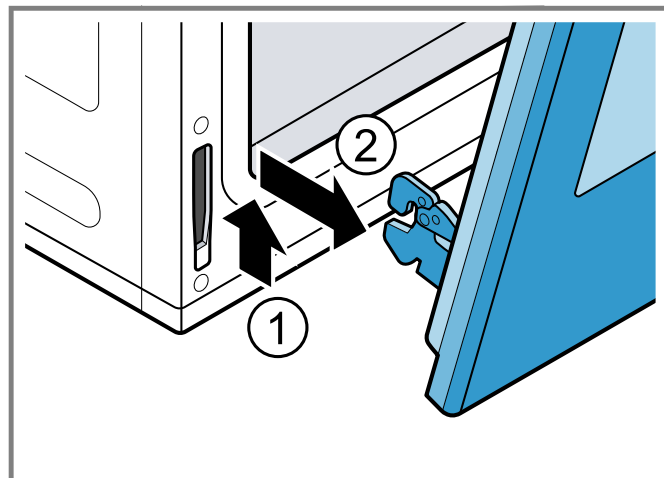
Close the oven door until it catches on the hinge stop levers, locking the hinges at the proper angle for door removal.



- ✓ The door will be open about 7" (18 cm) at the top.

5. **⚠ CAUTION** The door is heavy.
 - ▶ Do not grip the door by the handle.
 - ▶ Use both hands to firmly grip it by the sides.

Maintaining the door angle, lift the door straight up approximately 3/4" (2 cm) to unhook the hinges from the slots and then pull it out towards you until the hinges are clear of the oven housing.



6. Place the door in a convenient and stable location. Do not lay the door on its handle. This could cause dents or scratches.

6 Electrical connection

Read these instructions to safely connect your appliance to the electrical supply.

⚠ WARNING

Do not use an extension cord. If the power supply cord is too short, have a qualified electrician install an outlet near the appliance.

To prevent electrical shock, the grounding prong on the range cord should not be cut or removed under any circumstances.

- ▶ It must be plugged into a matching grounding type receptacle and connected to a correctly polarized 240-Volt circuit.
- ▶ If there is any doubt as to whether the wall receptacle is properly grounded, have it checked by a qualified electrician.
- The range may be connected using an electric range cord, or using a flexible conduit electrical connection.
- Use only cord kits rated 250 Volts, 50 Amperes (minimum), and labeled "For Use with Ranges".
- It is recommended that only qualified persons add a power cord or make electrical connections to this appliance.

Note: In Canada, the range is shipped from the factory with the range cord already installed. Continue to install the range into the cabinets.

6.1 Electrical requirements

Make sure your electrical installation supports the following requirements.

WARNING

An improper 240/208 VAC power supply will cause malfunction, damage to this appliance, and possibly create a condition of shock hazard.

This appliance must be properly grounded.

Before installing, turn power OFF at the service panel.

- ▶ Lock service panel to prevent power from being turned ON accidentally.
- Prior to servicing the appliance, always disconnect the appliance's electrical supply cord, if so equipped, from the wall receptacle. If the appliance is hard-wired to the power supply, disconnect the power to appliance by turning off the proper circuit breaker. Lock the service panel to prevent the power from being turned ON accidentally.
- A neutral supply wire must be provided from the power source (breaker) because critical range components require it to operate safely and properly.
- Mount the receptacle securely to a wall stud, then seal around the receptacle's housing.
- If the correct power supply circuit is not provided, it is the responsibility and obligation of the installer and user to have a proper power supply connected. This must be accomplished in accordance with all applicable local codes and ordinances by a qualified electrician. It is the responsibility of the installer to ensure compliance of lo-

cal codes. In the absence of local codes and ordinances, the power supply connection shall be in accordance with the National Electrical Code.

- Observe all governing codes and ordinances when grounding. In the absence of these codes or ordinances observe National Electrical Code ANSI/ NFPA 70 current issue. See the following information in this section for grounding method.
- Electrical wiring diagrams and schematics have been placed in the toe kick panel area of the range for access by a qualified service technician. → *Page 13*
- The ranges are to be connected to a 240/208 VAC power supply.
- The range must be connected to the power supply utilizing one of the following methods. For all methods of connection, the length of the cord or conduit/wiring must allow the appliance to be slid completely out of the cabinet without having to unplug or disconnect the appliance from the power supply.
- The recommended minimum free length of cord or conduit is 4 ft (1.2 m). Electrical installations and grounding must be in accordance with all local codes and ordinances, and/or the National Electrical Code, as applicable.
- When using a receptacle it may be necessary to recess the receptacle's housing into the rear wall. Refer to Local Electrical Code to determine the minimum volume for all electrical / junction boxes. Follow all local electrical codes and ordinances, and/or the National Electrical Code, as applicable.

Required dedicated circuit

Models	Voltage	US	Canada	Frequency	Phase
All	240/208	50 AMP	50 AMP	60 Hz.	Single

6.2 Preparation for power connection

WARNING

Risk of Electric Shock or Fire. Grounding through the neutral conductor is prohibited for new branch-circuit installations (1996 NEC), mobile homes, and recreational vehicles, or in an area where local codes prohibit grounding through the neutral conductor.

Where grounding through the neutral conductor is prohibited:

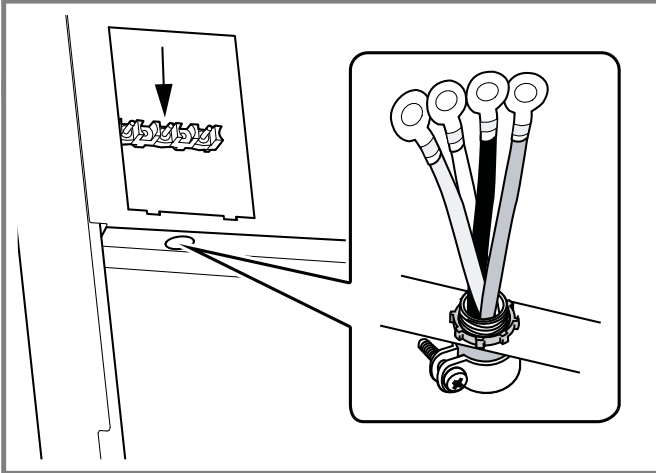
- Disconnect the link from the neutral.
- Use grounding terminal or lead to ground unit.
- Connect neutral terminal to lead branch circuit neutral in the usual manner. When the appliance is to be connected by means of a cord kit, use a 4-conductor cord for this purpose.

6.3 Installing a four-wire connection

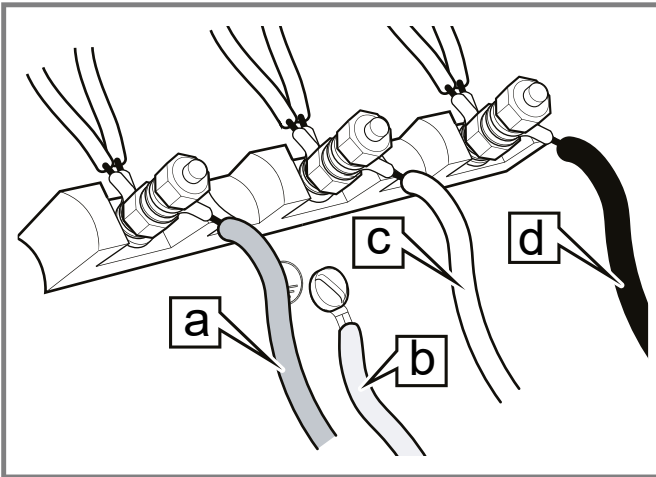
Requirements

- This appliance must be connected to the power supply with a listed (UL, CSA, ...) 3-POLE, 4-CONDUCTOR cord kit rated 250 VOLTS, 50 AMPERES DEDICATED CIRCUIT, and marked for use with ranges.
 - It is the responsibility of the installer to provide the proper wiring components (cord, wires, etc.) and complete the electrical connection as dictated by local codes and ordinances, and/or the National Electrical Code.
 - The cord kit is required to be attached to the range terminal block with a strain relief which will fit a 1" (25.4 mm) diameter hole.
 - If not already equipped, the cord must also have ¼" (6 mm) faston closed-loop lugs attached to the free ends of the individual conductors, preferably soldered in place.
1. Disconnect the electrical power at the breaker box.
 2. Locate the terminal block on the rear of the appliance and remove the cover.
 3. Remove the upper nuts only from the terminal block studs. DO NOT remove the lower nuts which secure the range's internal wiring leads.
 4. If applicable, remove the 4-wire power cord from the appliance.

5. Mount the strain relief into the 1" (25.4 mm) diameter hole in the back panel located below the terminal block. Route the wires up through the strain relief.



6. Remove the green ground screw and serrated washer located beneath the terminal block.
7. Secure the neutral, white wire of the supply circuit to the center stud of the terminal block with a nut.
8. Secure the L1 (red) and L2 (black) power leads to the outside terminal studs (brass colored) with nuts.
9. Secure the bare copper ground lead to the range chassis using the green ground screw and serrated washer. Be sure that neutral and ground terminals do not touch.



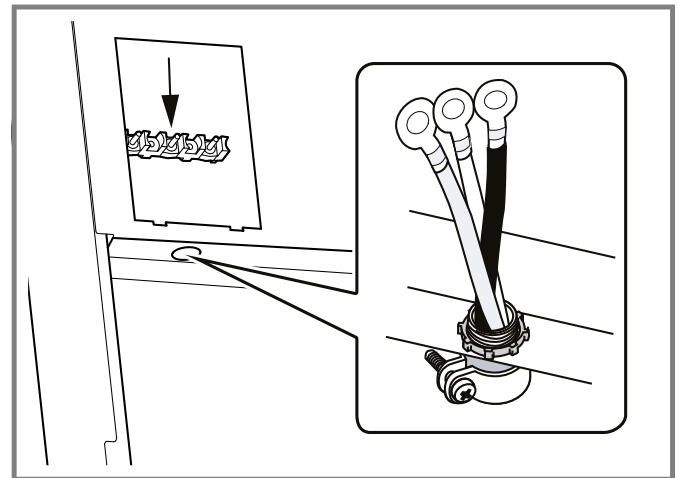
a	Red / L1
b	Green / ground
c	White / neutral
d	Black / L2

11. Tighten all connections and nuts securely.
12. Reinstall the terminal block cover.

6.4 Installing a three-wire connection

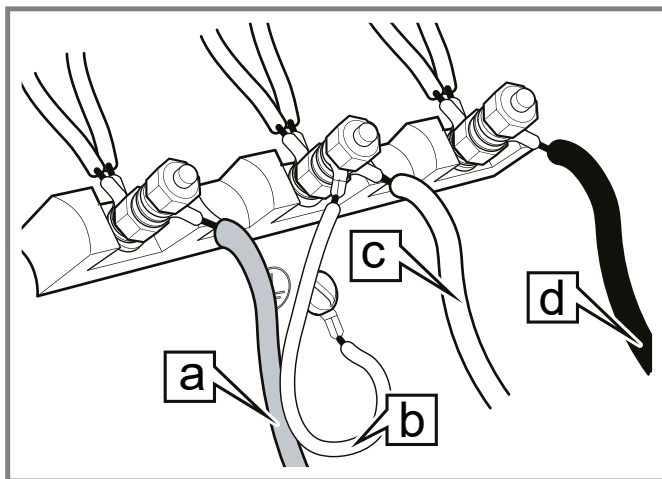
Requirements

- Where local codes and ordinances permit grounding through neutral, and conversion of supply to 4-wire is impractical, the appliance may be connected to the power supply with a Listed (UL, CSA, ...) 3-POLE, 3-CONDUCTOR cord kit rated 250 VOLTS, 50 AMPERES DEDICATED CIRCUIT, and marked for use with ranges.
 - It is the responsibility of the installer to provide the proper wiring components (cord, wires, etc.) and complete the electrical connection as dictated by local codes and ordinances, and/or the National Electrical Code.
 - The cord kit is required to be attached to the range terminal block with a strain relief which will fit a 1" (25.4 mm) diameter hole.
 - If not already equipped, the cord must also have 1/4" (6 mm) faston closed-loop lugs attached to the free ends of the individual conductors, preferably soldered in place.
1. Disconnect the electrical power at the breaker box.
 2. Locate the small bag with white jumper wire located in the literature packet.
 3. Locate the terminal block on the rear of the appliance and remove the cover.
 4. Remove the upper nuts only from the terminal block studs. DO NOT remove the lower nuts which secure the range's internal wiring leads.
 5. If applicable, remove the 4-wire power cord from the appliance.
 6. Mount the strain relief into the 1" (25.4 mm) diameter hole in the back panel located below the terminal block. Route the wires up through the strain relief.



7. Secure the neutral, grounded wire of the supply circuit, to the center stud (silver colored) of the terminal block.
8. Secure the L1 (red) and L2 (black) power leads to the outside terminal studs (brass colored) with nuts.

9. Remove the green ground screw and serrated washer located beneath the terminal block. Screw one end of the included white jumper wire to the chassis beneath the terminal block with the green ground screw. Secure the other end of the wire to the center stud of the terminal block with a nut.

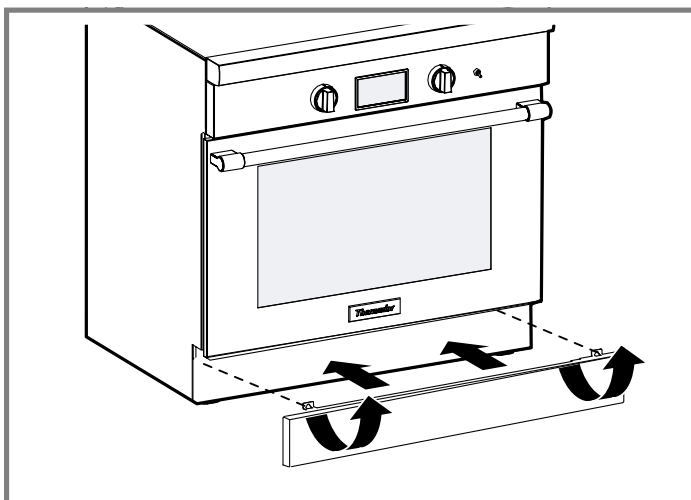


a	Red / L1
b	Ground link wire provided in small bag
c	White / neutral
d	Black / L2

10. Tighten all connections and nuts securely.
11. Reinstall the terminal block cover.

6.5 Electric wiring diagrams and schematics

The electric wiring diagrams and schematics are attached behind the toe kick panel, and should not be removed except by a service technician, then replaced after service.



7 Installation procedure

7.1 Adjusting the leveling legs

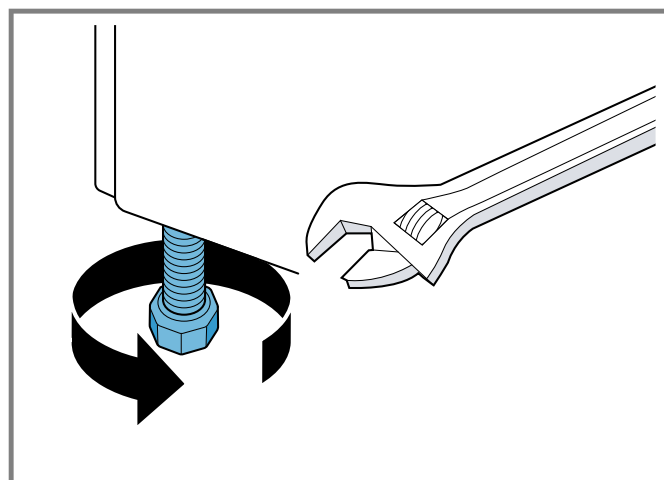
For proper performance, the range must be level. Priority should be placed on ensuring that the oven cavity is also level for optimum cooking performance.

NOTICE:

The top edges of the range's side panels must be on the same or higher level as the adjacent countertop.

- ▶ DO NOT operate the range if sides are lower than the adjacent cabinet. If the range is operated while at a lower height relative to the adjacent cabinet, the cabinet could be exposed to excessive temperatures, causing damage to the cabinet and countertop.

1. Line up the range in front of the opening.
2. Measure the countertop heights first with a tape measure and add an additional 1/16" - 1/8" (2-3 mm).
3. Rotate the legs using a 12" (305 mm) adjustable wrench on the flat sides of each foot.



4. Leveling legs should be adjusted so that the range sides are at the same or higher level as the adjacent cabinet. Adjust the legs accordingly prior to pushing the range back to its final location.

It may be necessary to reposition the electrical cord as the range is pushed back to its final position. This may be accomplished by carefully pulling on a rope or twine looped around the electrical supply line as the range is pushed back into its final installed position.

5. As the range is moved into its final, installed position, verify that the anti-tip bracket is in a position to engage the range.

7.2 Placing the range

⚠ CAUTION

Unit is heavy and requires at least two persons or proper equipment to move.

It is recommended to wear protective clothing during the lifting process.

- ▶ Wear gloves and long sleeves to protect hands and forearms from abrasion and potential scratches.
- ▶ Take off watches and jewelry.
- ▶ Wear work shoes for foot protection.

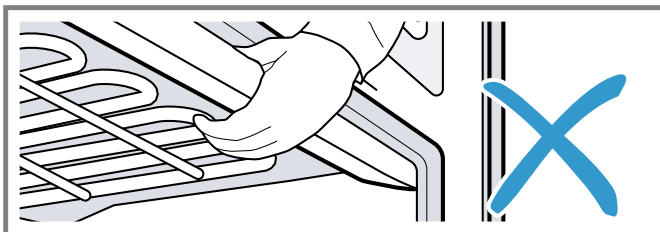
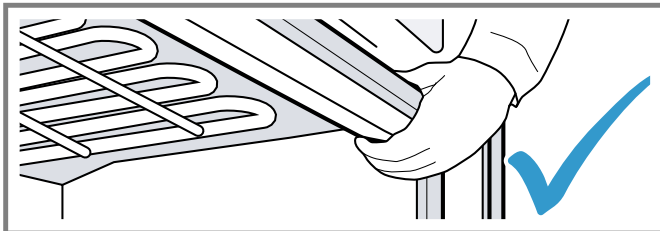
NOTICE:

To avoid risk of damage to the range oven door, do not lift, push, or pull the range by holding the door handle.

Requirement: You have removed the oven door.

1. **⚠ CAUTION DO NOT** attempt to lift the unit by holding the oven's upper heating element.

Lift the range off of the packaging base. Reach inside the top of the oven cavity to locate a ridged area near the front of the oven.

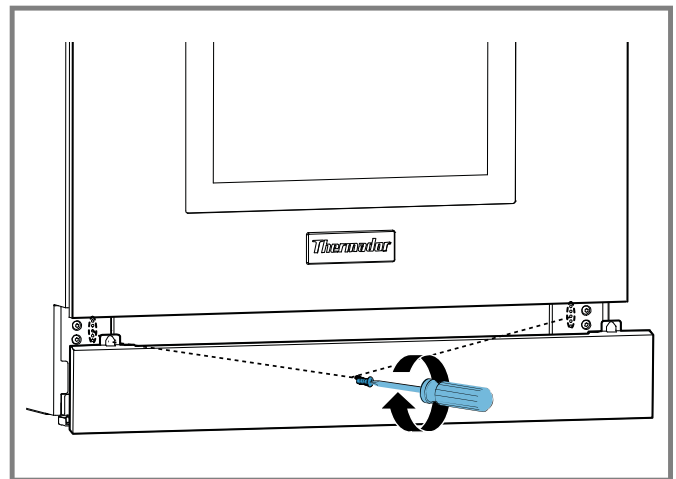


2. Make sure that the circuit breaker is off and then plug the range cord into the electrical outlet.
3. Dampen the countertop and floor at the bottom of the opening with soapy water.
4. Slide the range into the opening. Be careful not to damage countertops, floors, or warming drawer front. Do not apply pressure to the cooktop when sliding the range into position. Be careful not to crimp the flexible electrical connector.
5. Install the oven door. → *Page 14*
6. Check proper installation.
 - The cooktop should rest lightly on the countertop.
 - There should not be any gap between the countertop and the cooktop; however, the weight of the range must not rest on the countertop.
 - Look under the range to verify that both back legs are resting solidly on the floor.
 - Also verify that the left range leg is retained by the anti-tip bracket.

7.3 Adjusting the toe kick panel

1. Remove the toe kick panel screws using a T-20 star-head screwdriver.

2. Relocate the toe kick panel at one of the five screw hole positions. Reinstall the star-head screw.

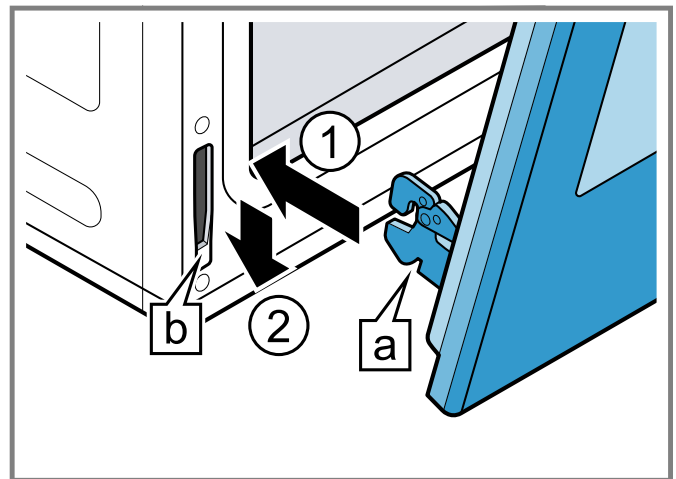


3. Repeat with the remaining toe kick panel screws, assuring the toe kick panel is level.

The toe kick panel should maintain a minimum 1/2" (12.7 mm) clearance above the floor.

7.4 Reinstalling the oven door

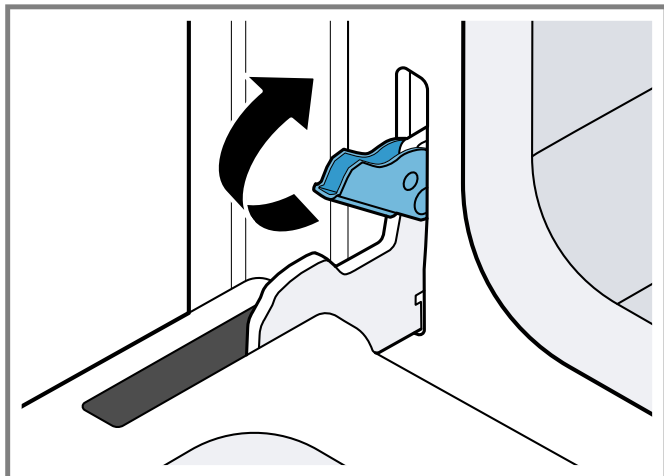
1. Hold the door firmly in both hands. Grip it on either side, not by the handle.
2. Tilt the door back slightly towards you at an angle that would open the door about 7" (18 cm) at the top.
3. Slide the hinges **a** into the slots **b** as far as they will go **①** and lower the door straight down **②**.



The angle of the door may need to be adjusted slightly to allow the hinges to engage properly and the door to be lowered into place. The door should lower about 3/4" (2 cm) and stop. If it does not, the hinges have not engaged properly and the door could fall if it is released.

4. Once both hinges are fully engaged, gently open the door until it is fully open.

5. Push the levers on both the hinges up and forward until they are locked into the slot and flush with the front of the oven body.



6. Close and open the door slowly to be sure it is correctly and securely in place.

8 Testing the operation

Check if your unit is working properly after you have completed the installation steps.

1. Turn on power at the breaker.
2. To test the oven select the **BAKE** mode. See the User Manual for detailed operating instructions.
3. Verify that the oven light comes on and the oven begins to preheat.
4. To test the door lock set the **SELF CLEAN** mode. Confirm that the door locks when the lock icon appears in the display.

9 Customer Service

With any warranty repair, we will make sure your appliance is repaired by an authorized service provider using genuine replacement parts. We use only genuine replacement parts for all repairs.

Detailed information on the warranty period and terms of warranty can be found in the Statement of Limited Product Warranty, from your retailer, or on our website.

If you contact the Customer Service, you will need the model number (E-Nr.) and the production number (FD) of your appliance.

USA:

1-800-735-4328

www.thermador.com/support

www.thermador.com/us/accessories

CA:

1-800-735-4328

www.thermador.ca

www.thermador.ca/en/support/filters-cleaners-accessories

For assistance with connecting to Home Connect™, you can also view instructions here:

www.home-connect.com/us/en/help-support/set-up

9.1 Model number (E-Nr.) and production number (FD)

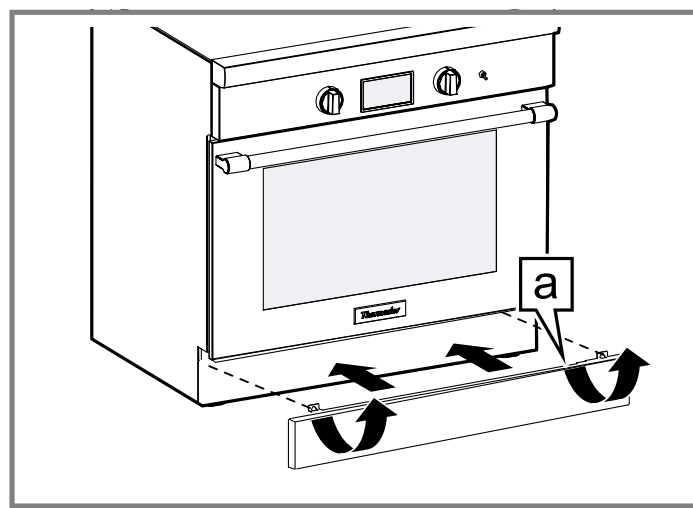
You can find the model number (E-Nr.) and the production number (FD) on the appliance's rating plate.

Making a note of your appliance's details and the Customer Service telephone number will enable you to find them again quickly.

9.2 Rating plate location

You can find the rating plate of your appliance:

- On the backside of the toe-kick panel. Remove the toe-kick panel to view it.



a Rating plate

Table des matières

1 IMPORTANTES CONSIGNES DE SÉCURITÉ	17
1.1 Définitions des termes de sécurité	17
1.2 Consignes générales de sécurité	17
1.3 Manipulation sécuritaire des appareils	18
1.4 Sécurité électrique	19
1.5 Codes et normes de sécurité	19
1.6 EXIGENCES DE DÉGAGEMENT ARRIÈRE	20
1.7 Mises en garde conformément à la proposition 65 de l'État de Californie	20
2 Avant de commencer	21
2.1 Pièces incluses	21
2.2 Outils et pièces nécessaires.....	21
2.3 Exigences d'alimentation et mise à la terre	21
2.4 Exigences concernant la ventilation	21
3 Déballage et déplacement de l'appareil	21
3.1 Retrait de l'emballage	22
3.2 Déplacement de l'appareil.....	22
4 Exigences d'installation	22
4.1 Dimensions de l'électroménager	22
4.2 Exigences concernant l'emplacement	22
5 Avant l'installation	23
5.1 Montage de la console anti-basculement	23
5.2 Retrait de la porte du four.....	24
6 Raccordement électrique	25
6.1 Exigences électriques	25
6.2 Préparation à la connexion électrique	26
6.3 Installation d'une connexion à quatre fils.....	26
6.4 Installation d'une connexion à trois fils	27
6.5 Diagrammes et schémas de câblage électrique	28
7 Procédure d'installation	28
7.1 Réglage des pieds de nivellement.....	28
7.2 Placer la cuisinière	28
7.3 Réglage du panneau de la bordure de protection inférieure.....	29
7.4 Réinstallation de la porte du four.....	29
8 Opération d'essai.....	30
9 Service à la clientèle.....	30
9.1 Numéro de modèle (E-Nr.) et numéro de fabrication (FD)	30
9.2 Emplacement de la plaque signalétique	30



IMPORTANTES CONSIGNES DE SÉCURITÉ

LIRE ET CONSERVER CES INSTRUCTIONS

Lisez toutes les instructions attentivement avant l'utilisation. Ces précautions réduiront le risque d'électrocution, d'incendie et de blessure pour les personnes utilisant l'appareil. Lorsque vous utilisez des appareils électroménagers, il importe de suivre les précautions de sécurité de base, y compris celles indiquées dans les pages suivantes.

⚠ AVERTISSEMENT :

Ne jamais faire fonctionner la surface de la table de cuisson de cet appareil sans surveillance.

- **Le non-respect de cet avertissement pourrait entraîner un risque d'incendie, d'explosion ou de brûlure qui pourrait provoquer des dommages matériels, des blessures ou un décès.**
- **En cas d'incendie, se tenir à l'écart de l'appareil et appeler immédiatement les pompiers.**

NE PAS ESSAYER D'ÉTEINDRE UN INCENDIE DE GRAISSE OU D'HUILE AVEC DE L'EAU.

1.1 Définitions des termes de sécurité

Vous trouverez ici des explications sur les mots de signalisation de sécurité utilisés dans ce manuel.

⚠ AVERTISSEMENT

Signale un risque de mort ou de blessure grave si l'avertissement n'est pas respecté.

⚠ MISE EN GARDE

Signale un risque de blessures mineures ou modérées si l'avertissement n'est pas respecté.

AVIS :

Ceci indique que la non-conformité à cet avis de sécurité peut entraîner des dégâts matériels ou endommager l'appareil.

Remarque : Ceci vous signale des informations et/ou indications importantes.

1.2 Consignes générales de sécurité

Tous les manuels des produits peuvent être téléchargés en ligne à l'adresse www.thermador.com/us/support/owner-manuals.

IMPORTANT : L'APPAREIL DOIT ÊTRE INSTALLÉ PAR UN INSTALLATEUR QUALIFIÉ.

IMPORTANT : CONSERVEZ CES INSTRUCTIONS POUR L'UTILISATION DE L'INSPECTEUR ÉLECTRIQUE LOCAL.

INSTALLATEUR : PRIÈRE DE LAISSER CES INSTRUCTIONS D'INSTALLATION AVEC CET APPAREIL À L'INTENTION DU PROPRIÉTAIRE.

PROPRIÉTAIRE : Prière de conserver ces instructions pour référence ultérieure. Lisez toutes les consignes de sécurité avant d'utiliser l'appareil. Demandez à l'installateur de vous montrer où se trouve le disjoncteur électrique afin que vous sachiez comment et où couper l'électricité de l'appareil.

Examinez l'appareil après l'avoir déballé. En cas de dommage en cours de transport, ne branchez pas l'appareil.

AVERTISSEMENT

Si les consignes du présent manuel ne sont pas suivies à la lettre, il y a un risque d'incendie ou d'électrocution pouvant entraîner des dommages matériels ou des blessures.

Ne pas réparer, remplacer ni retirer toute pièce de l'électroménager à moins que cela ne soit spécifiquement recommandé par les manuels. L'installation, les réparations ou l'entretien inadéquats pourraient causer des blessures ou des dégâts matériels.

- ▶ Consulter ce manuel pour les directives d'utilisation.



IMPORTANTES CONSIGNES DE SÉCURITÉ

LIRE ET CONSERVER CES INSTRUCTIONS

- ▶ Toutes les autres réparations doivent être effectuées par un prestataire de services agréé.

AVERTISSEMENT

DANGER DE BASCULEMENT SUR LES CUISINIÈRES



- ▶ Toutes les cuisinières peuvent basculer et entraîner des blessures. Pour éviter tout basculement accidentel de la cuisinière, fixez-la au sol, au mur ou à l'armoire en installant le support anti-basculement fourni.
- ▶ Un enfant ou un adulte peut faire basculer la cuisinière et être tué ou gravement blessé. Vérifiez que le support antibasculement est correctement installé. Assurez-vous que le support anti-basculé est engagé lorsque la cuisinière est déplacée.
- ▶ **NE PAS** faire fonctionner la cuisinière si le support antibasculement n'est pas en place. Non-respect des instructions de ce manuel peut entraîner la mort ou des brûlures graves pour les enfants et les adultes.
- ▶ Si la cuisinière est déplacée pour le nettoyage, l'entretien ou toute autre raison, assurez-vous que le support anti-basculé est correctement ré-engagé lorsque la cuisinière est remise en place. En cas d'utilisation anormale (telle qu'une personne debout, assise ou appuyée sur une porte ouverte), le non-respect de cette précaution peut entraîner le basculement de la cuisinière. Des blessures peuvent résulter du déversement de liquides chauds ou de la cuisinière elle-même.
- ▶ Vérifiez que le support anti-basculement est correctement installé et utilisé. Inclinez délicatement la cuisinière vers l'avant de l'arrière pour s'assurer que le support anti-basculé s'engage dans la patte de la cuisinière et empêche le renversement. La cuisinière ne doit pas se déplacer de plus de 1 po (2,5 cm).

Ne jamais modifier ni altérer la structure de l'appareil électroménager.

- ▶ Par exemple, ne retirez pas les pieds d'ajustement, les panneaux, les couvre-fils ou les vis ou supports anti-basculement.

L'appareil ne doit être utilisé que s'il est installé par un technicien qualifié conformément à ces instructions d'installation et à tous les règlements et codes. Le

fabricant n'est pas responsable des dommages résultant d'une installation incorrecte ou du non-respect des codes et réglementations locaux appropriés.

Pour éliminer le risque de brûlure ou d'incendie lorsque vous vous étirez au-dessus des surfaces chauffantes de l'électroménager, il faut éviter d'installer des armoires de rangement au-dessus de la surface de l'électroménager.

- ▶ Si une armoire de rangement est installée, il est possible de réduire le risque en installant une hotte qui dépasse (horizontalement) d'au moins 5 po (127 mm) le bord du fond de l'armoire.
- ▶ Vérifier que la profondeur des armoires au-dessus de la table de cuisson est au maximum de 13 po (330 mm).

AVERTISSEMENT

NE PAS installer cet appareil à l'extérieur.

AVERTISSEMENT

Retirer tout le ruban adhésif et l'emballage avant d'utiliser l'électroménager.

- ▶ Éliminez l'emballage d'une manière respectueuse de l'environnement.
- ▶ Ne laissez jamais les enfants jouer avec le matériel d'emballage.
- ▶ Conservez les pièces de petite taille dans un endroit sûr, car elles peuvent être avalées facilement.

AVERTISSEMENT

Pour éviter un possible risque de brûlure ou d'incendie, une protection arrière spécialement conçue pour l'appareil devrait être installée chaque fois que l'appareil est utilisé.

AVIS :

Il est possible que la paroi arrière se décolore sous certaines conditions de cuisson.

1.3 Manipulation sécuritaire des appareils

AVERTISSEMENT



L'unité est lourde et son déplacement exige au moins deux personnes ou encore un équipement approprié.

- ▶ Ne pas soulever l'appareil par la poignée de porte.
- ▶ Ne soulevez pas l'appareil par le panneau de commande du four.



IMPORTANTES CONSIGNES DE SÉCURITÉ

LIRE ET CONSERVER CES INSTRUCTIONS

- ▶ Retirez la porte pour une manipulation et une installation plus faciles. Voir les instructions dans ce manuel.
- ▶ N'utilisez pas de diable ou de chariot d'appareil à l'arrière ou à l'avant de l'appareil. Manipuler par le côté uniquement.

AVERTISSEMENT



Certaines surfaces cachées peuvent avoir des rebords tranchants.

- ▶ Redoubler de vigilance quand vous passez la main derrière ou sous l'appareil électroménager.
- ▶ Portez des gants pour éviter de vous couper les doigts sur les rebords pointus au cours de l'installation.

1.4 Sécurité électrique

- **Installateur** - indiquez au propriétaire l'emplacement du disjoncteur ou du fusible. Identifiez sa position pour pouvoir le retrouver facilement.
- S'il y a lieu, conformément au Code national de l'électricité (ou au Code canadien de l'électricité), cet appareil doit être installé sur un circuit de dérivation séparé.
- Les codes locaux peuvent varier. L'installateur est responsable de s'assurer que l'installation, les connexions et la mise à la terre sont conformes à tous les codes applicables. Le fabricant n'est pas responsable d'une installation incorrecte ou du non-respect des codes et réglementations locaux appropriés.
- Assurez-vous que votre appareil est correctement installé et mis à la terre par un technicien qualifié conformément à la dernière édition du National Electrical Code ANSI/NFPA 70 et aux exigences du code électrique local.
- Seul une trousse de cordon d'alimentation conçu pour cet appareil et marqué « À utiliser avec les cuisinières » doit être utilisé.
- Voir la fiche signalétique pour plus d'information.
→ "Emplacement de la plaque signalétique", Page 30

AVERTISSEMENT

Avant l'installation, couper l'alimentation au panneau de service.

- ▶ Verrouiller le panneau de service pour empêcher que l'alimentation ne soit rétablie par accident.



RISQUE D'ÉLECTROCUTION

- ▶ Débranchez l'alimentation avant l'installation ou l'entretien. Avant de rétablir l'alimentation, s'assurer que toutes les commandes sont à la position d'arrêt (OFF).
- ▶ NE PAS enlever de raccords.
- ▶ NE PAS utiliser de rallonge.
- ▶ Une mise à la terre inadéquate peut entraîner un risque d'électrocution.
- ▶ Tout manquement à ces directives peut entraîner la mort ou une électrocution, ou déclencher un incendie.

INSTRUCTIONS DE MISE À LA TERRE

- ▶ Cet appareil doit être mis à la terre.
- ▶ La mise à la terre réduit le risque de choc électrique en fournissant une voie sûre pour le courant électrique en cas de court-circuit.
- ▶ Assurez-vous que l'appareil est correctement installé et mis à la terre par un technicien qualifié.
- ▶ L'installation, les raccordements électriques et la mise à la terre doivent être conformes avec tous les codes en vigueur.

N'utilisez pas de rallonge. Si le cordon d'alimentation est trop court, demandez à un électricien ou un technicien qualifié d'installer une prise à proximité de l'appareil. Avant de mettre sous tension la source d'alimentation, vérifiez que toutes les commandes sont à la position OFF (Arrêt).

1.5 Codes et normes de sécurité

Cet appareil est conforme aux plus récentes versions de l'une ou plus des normes suivantes :

- UL 858 - Cuisinières électriques domestiques
- CAN/CSA C22.2 no 61 - Cuisinières domestiques





IMPORTANTES CONSIGNES DE SÉCURITÉ

LIRE ET CONSERVER CES INSTRUCTIONS

Codes applicables :

- Vérifiez les codes du bâtiment locaux pour connaître la bonne méthode d'installation de l'appareil.
- Les codes locaux varient; il est de la responsabilité de l'installateur de s'assurer que l'installation est conforme à ces codes.
- L'installation, les raccordements électriques et la mise à la terre doivent être conformes avec tous les codes en vigueur.
- L'installation d'appareils conçus pour une installation dans des maisons préfabriquées (mobiles) doit être conforme à la Norme de sécurité et de construction de maisons préfabriquées, Titre 24 CFR, Partie 3280 [anciennement la Norme fédérale pour la construction et la sécurité des maisons mobiles, Titre 24, HUD {Partie 280}] ou avec les codes locaux le cas échéant.
- L'installation d'appareils conçus pour les remorques de parc de loisirs doit être conforme aux codes de l'État ou autres ou, en l'absence de tels codes, à la norme ANSI A119.5 Park Model Recreational Vehicle.

Il est de la responsabilité du propriétaire et de l'installateur de déterminer si des exigences et/ou des normes supplémentaires s'appliquent à des installations spécifiques.

1.6 EXIGENCES DE DÉGAGEMENT ARRIÈRE

Pour éviter de tacher le mur arrière, on recommande des matériaux de construction non-poreux, résistants à haute température qui conviennent à un environnement propre à la cuisson.

IMPORTANT : Il est possible que la paroi arrière se décolore sous certaines conditions de cuisson.

Tous les modèles répertoriés conviennent à un dégagement arrière de 0 po par rapport aux surfaces combustibles.

Les dégagements doivent être approuvés par les codes locaux et/ou par l'autorité locale compétente.

Les dégagements pour matériaux non combustibles ne sont pas abordés dans la norme ANSI Z21.1 et ne sont pas certifiés par la CSA.

1.7 Mises en garde conformément à la proposition 65 de l'État de Californie

Ce produit pourrait contenir un produit chimique reconnu par l'État de la Californie comme cancérigène ou ayant des effets nocifs sur la reproduction. Par conséquent, vous pourriez devoir apposer l'étiquette suivante sur l'emballage du produit comme requis par la Californie :

AVERTISSEMENT ISSUE DE LA PROPOSITION 65 DE L'ÉTAT DE LA CALIFORNIE :



AVERTISSEMENT

Cancer et dommages à la reproduction -
www.P65Warnings.ca.gov

2 Avant de commencer

Ce manuel d'installation couvre plusieurs modèles. Tous graphiques sont représentatifs. Votre appareil peut varier en apparence et en fonctionnalités.

2.1 Pièces incluses

Après avoir déballé le produit, inspectez toutes les pièces pour détecter d'éventuels dégâts dus au transport et pour vous assurer de l'intégralité de la livraison.

- Support anti-bascule
- Vis cruciformes de 1 ½ po (38 mm) (4)
- Cosses de borne; pour une utilisation avec des installations câblées (non requis pour les installations canadiennes)

2.2 Outils et pièces nécessaires

Préparez ces outils et accessoires avant de commencer à installer votre électroménager.

Outils

- Crayon
- Ruban à mesurer
- Niveau
- Lunettes de protection
- Gants de sécurité
- Clé polygonale ou cliquet et douille de 7/16 po (11 mm)
- Perceuse à main ou électrique
- Foret de 3/16 po (4,76 mm)
- Foret de 1/8 po (3,17 mm)
- Tournevis à embout étoile T-20
- Tournevis à embout étoile T-30
- Clé à molette de 12 po (305 mm)
- Tournevis cruciforme
- Tissu ou carton pour protéger le sol
- Chariot à meubles ou traîneau

Pièces supplémentaires requises

- Ancrages pour cloisons sèches / béton
- Trousse de cordon d'alimentation 40 ou 50 A avec décharge de traction; selon les codes locaux. (Non nécessaire pour les installations canadiennes, le cordon est préinstallé en usine.)
- Corde / ficelle

Pièces supplémentaires nécessaires pour les installations câblées

- Un conduit flexible
- Clé dynamométrique

AVIS :

Il est possible que la paroi arrière se décolore sous certaines conditions de cuisson.

2.3 Exigences d'alimentation et mise à la terre

La prise de courant doit être correctement mise à la terre selon tous les codes applicables.

2.4 Exigences concernant la ventilation

- Reportez-vous au « Guide de planification de la ventilation » pour les combinaisons de ventilation approuvées.

- Il est fortement recommandé d'installer cet appareil en conjonction avec une hotte de ventilation Thermador. En raison de la capacité thermique élevée de cet appareil, une attention particulière doit être accordée à l'installation de la hotte et des conduits pour s'assurer qu'ils sont conformes aux codes du bâtiment locaux.
- Les hottes de ventilation et les souffleurs sont conçues pour être utilisées avec des conduits à simple paroi. Cependant, certains codes du bâtiment locaux ou certains inspecteurs peuvent exiger des conduits à double paroi. Consultez les codes du bâtiment locaux et/ou les agences locales avant de commencer pour vous assurer que l'installation de la hotte et du conduit répondra aux exigences locales.

AVIS :


La plupart des hottes de cuisine contiennent des composants combustibles qui doivent être pris en compte lors de la planification de l'installation.

Préparation de l'aération

1. Sélectionnez les modèles de hotte et de ventilateur.
 - Pour les installations murales, la largeur de la hotte doit, au minimum, être égale à la largeur de la cuisinière/du dessus de la plaque de cuisson. Lorsque l'espace le permet, une hotte plus large que la cuisinière/le dessus de la cuisinière peut être souhaitable pour améliorer les performances de ventilation.
 - Pour les installations en îlot, la largeur de la hotte doit dépasser la largeur de la cuisinière/plaque de cuisson d'au moins 3 po (76 mm) de chaque côté.
2. Considérez le placement de la hotte.
 - Pour une meilleure élimination de la fumée, le bord inférieur de la hotte doit être installé à 30 po (762 mm) au-dessus de la surface de cuisson de la cuisinière.
 - Si la hotte contient des matériaux combustibles (c.-à-d. un revêtement en bois), elle doit être installée à un minimum de 36 po (914 mm) au-dessus de la surface de cuisson.
3. Pensez à l'air d'appoint.
 - En raison du volume élevé d'air de ventilation, une source d'air de remplacement extérieur est recommandée. Ceci est particulièrement important pour les maisons hermétiquement fermées et isolées.
 - Un entrepreneur qualifié en chauffage et en ventilation doit être consulté.

3 Déballage et déplacement de l'appareil

AVERTISSEMENT

L'unité  est lourde et son déplacement exige au moins deux personnes ou encore un équipement approprié.

- ▶ Ne pas soulever l'appareil par la poignée de porte.
- ▶ Ne soulevez pas l'appareil par le panneau de commande du four.
- ▶ Retirez la porte pour une manipulation et une installation plus faciles. Voir les instructions dans ce manuel.

- ▶ N'utilisez pas de diable ou de chariot d'appareil à l'arrière ou à l'avant de l'appareil. Manipuler par le côté uniquement.

⚠ AVERTISSEMENT



Certaines surfaces cachées peuvent avoir des rebords tranchants.

- ▶ Redoubler de vigilance quand vous passez la main derrière ou sous l'appareil électroménager.
- ▶ Portez des gants pour éviter de vous couper les doigts sur les rebords pointus au cours de l'installation.

3.1 Retrait de l'emballage

Voir le schéma sur l'emballage.

1. Retirez le carton extérieur et les matériaux d'emballage de la palette d'expédition.
 - Laissez le film protecteur sur les surfaces en métal brossé jusqu'à ce que la cuisinière soit installée dans sa position finale, pour protéger la finition des rayures.
 - Ne retirez pas la mousse du panneau de commande tant que l'appareil n'est pas complètement installé.
2. Retirez les boulons de la palette à l'avant et à l'arrière à l'aide d'une clé polygonale de $\frac{7}{16}$ po (11 mm) ou d'un cliquet et d'une douille.
3. Soulevez l'appareil et retirez-le de la palette. Utilisez une aide supplémentaire si nécessaire.
4. Éliminez les matériaux d'emballage d'une manière respectueuse de l'environnement.

3.2 Déplacement de l'appareil

En raison du poids, un chariot de meuble avec des roues souples ou un élévateur à air doit être utilisé pour déplacer cet appareil. Le poids doit être supporté uniformément sur le fond.

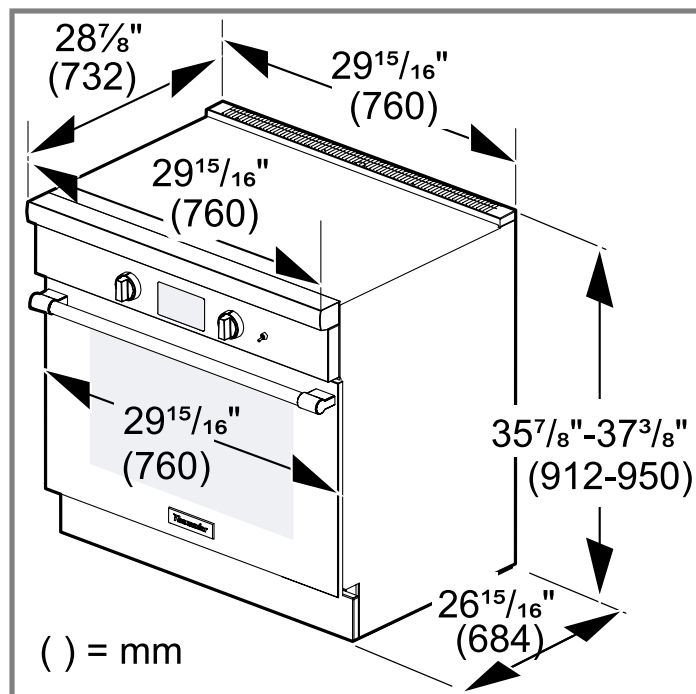
1. Transportez l'appareil à l'aide d'un chariot à meubles ou d'un élévateur pneumatique à proximité de son emplacement final.
 - Ne déplacez pas l'appareil par l'avant ou l'arrière.
 - NE faites PAS glisser l'appareil sur un sol non protégé.
2. L'appareil peut être incliné vers l'arrière et soutenu sur les pieds arrière pendant que le chariot est soigneusement retiré. **LE SOL SOUS LES PIEDS DOIT ÊTRE PROTÉGÉ AVANT DE POUSSER L'APPAREIL EN POSITION.**

4 Exigences d'installation

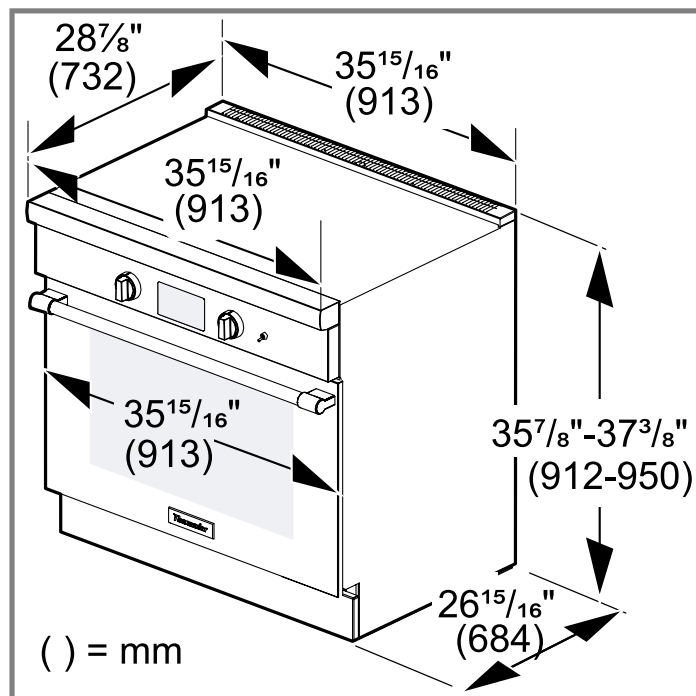
Lisez ces instructions pour préparer l'espace d'installation de votre appareil.

4.1 Dimensions de l'électroménager

Cuisinières de 30 po



Cuisinières de 36 po



4.2 Exigences concernant l'emplacement

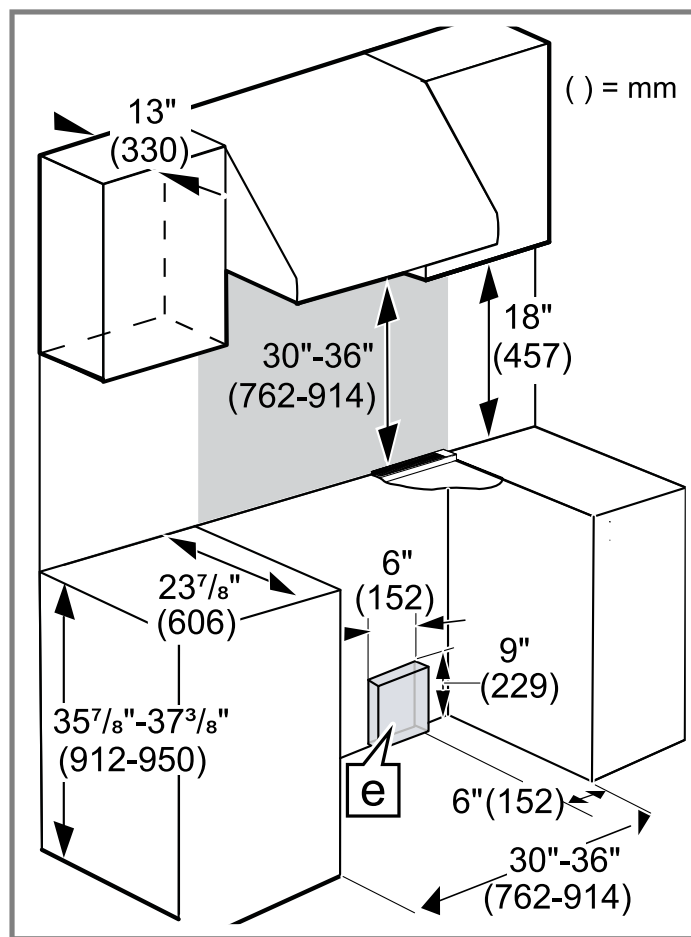
L'appareil est une unité autonome. Si l'appareil doit être placé à côté d'armoires, les dégagements indiqués dans cette section sont requis. Les mêmes dégagements

s'appliquent aux installations sur îlot, sauf pour les armoires au-dessus qui doivent comporter un espace assez grand pour recevoir une hotte d'îlot.

Spécifications :

- L'alimentation électrique doit se trouver dans la zone indiquée sur l'image des exigences de dégagement.
- Tout orifice dans le mur derrière l'appareil et dans le plancher sous l'appareil doit être scellé.
- La zone ombrée derrière l'appareil indique la possibilité d'une décoloration de la paroi arrière sous certaines conditions.
- Laissez un dégagement latéral minimum de 5 po (127 mm) entre l'appareil et les surfaces verticales inflammables au-dessus de la hauteur du plan de travail de 36 po (914 mm).
- Cet appareil est conçu pour être installé à proximité de murs adjacents et de surfaces en saillie construites avec des matériaux combustibles. Aucun dégagement n'est requis entre les murs de l'unité et les murs combustibles verticaux adjacents sur les côtés arrière, droit ou gauche.
- Les armoires murales situées à l'intérieur de ce dégagement latéral de 5 po (127 mm) doivent être à 18 po (457 mm) au-dessus du comptoir de 36 po (914 mm) de haut.
- La profondeur maximale des armoires suspendues de chaque côté de la hotte est de 13 po (330 mm).
- Il y a un dégagement minimum de 36 po (914 mm) requis entre le haut de la surface de cuisson et le bas d'une armoire non protégée. Un dégagement de 30 po (762 mm) peut être utilisé lorsque le fond de l'armoire en bois ou en métal est protégé par au moins $\frac{1}{4}$ po (6 mm) d'un matériau ignifuge recouvert d'au moins une tôle d'acier n° 28 MSG, 0,015 po (0,38 mm) d'acier inoxydable d'épaisseur, 0,024 po (0,61 mm) d'aluminium ou 0,02 po (0,51 mm) d'épaisseur de cuivre.
- N'obstruez pas les événements du four.
- La hauteur de l'appareil est réglable. Le niveau du dessus de la cuisinière doit être à niveau ou au-dessus du niveau le plus haut du comptoir.
- Pour assurer une ventilation adéquate de la cuisinière, ne retirez pas les pieds de la cuisinière.

Exigences de dégagement de l'armoire



e

Emplacement de la prise de courant

- Pour une installation de garniture d'îlot, la surface du comptoir doit avoir un bord en porte-à-faux rencontrant la section arrière de la garniture d'îlot.
- Si un mur intérieur est utilisé sous le comptoir en porte-à-faux, il doit y avoir un espace de $\frac{1}{8}$ po (3 mm) à l'arrière de l'appareil.

5 Avant l'installation

Effectuez ces étapes pour préparer votre appareil à l'installation.

5.1 Montage de la console anti-basculement

La cuisinière peut basculer vers l'avant, pouvant causer des blessures et des dommages, si le support antibasculement n'est pas correctement installé. Ne pas faire fonctionner la cuisinière si le support antibasculement n'est pas en place.

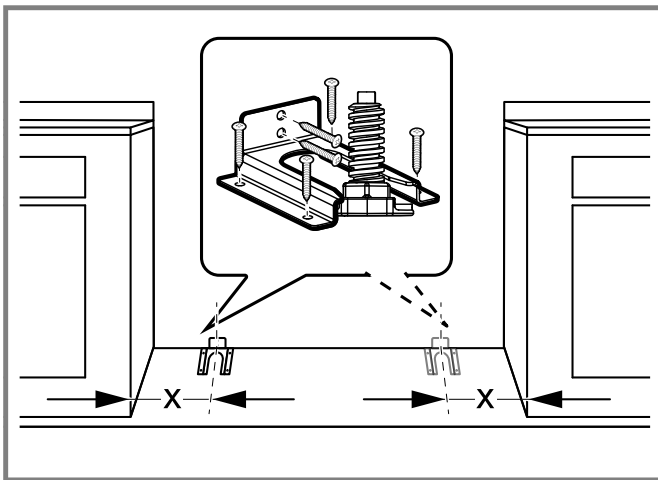
⚠ AVERTISSEMENT

Un enfant ou un adulte peut renverser le four et être tué.

- ▶ Vérifiez que le support antibasculement est correctement installé. Assurez-vous que le support antibascule est engagé lorsque la cuisinière est déplacée.

⚠ AVERTISSEMENT RISQUE D'ÉLECTROCUTION

- ▶ Soyez extrêmement prudent lorsque vous percez des trous dans le mur ou le sol, car des fils électriques peuvent être dissimulés.
 - ▶ Identifiez les circuits électriques qui pourraient être affectés par l'installation du support anti-bascule, puis mettez ces circuits hors tension.
 - ▶ Le non-respect de ces instructions peut entraîner un choc électrique ou d'autres blessures.
1. Retirez le support anti-basculé du paquet de documentation, à l'intérieur de la boîte qui se trouvait sur le dessus de l'appareil.
 2. Placez le support anti-basculé sur le sol comme illustré. Il peut être placé indifféremment à gauche ou à droite.
 - Mesurez et marquez la distance indiquée pour votre modèle d'appareil. Centrez le support anti-basculé sur le repère.



Modèle	Valeur pour « X »
30 po	1 ¾ po (45 mm)
36 po	2 ⅜ po (56 mm)

3. Pour les murs, les poteaux muraux ou les sols composés de bois massif ou de métal, percez des avant-trous de ⅛ po (3 mm).
4. Fixez le support anti-basculé au sol et/ou au montant du mur à l'aide des (4) vis cruciformes de 1 ½ po (38 mm) fournies.
5. Lors de l'installation de l'appareil, assurez-vous que le pied réglable glisse sous le support anti-basculé.

5.2 Retrait de la porte du four

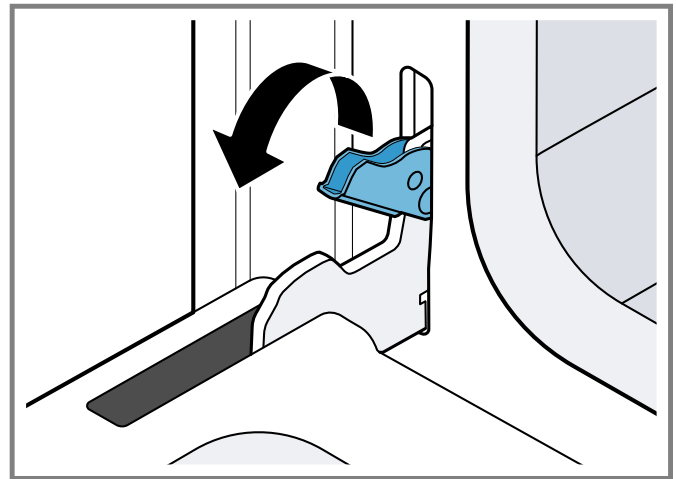
Il est recommandé de retirer la porte du four pour réduire le poids de l'appareil et pour faciliter sa manipulation et son installation.

⚠ AVERTISSEMENT

- Le non-respect de ces instructions lors du retrait de la porte du four peut entraîner des blessures ou endommager le produit.
- ▶ Avant de démonter la porte, s'assurer que le four soit froid et que le courant qui l'alimente a été coupé. Le non-respect de cette précaution pourrait entraîner un choc électrique ou des brûlures.

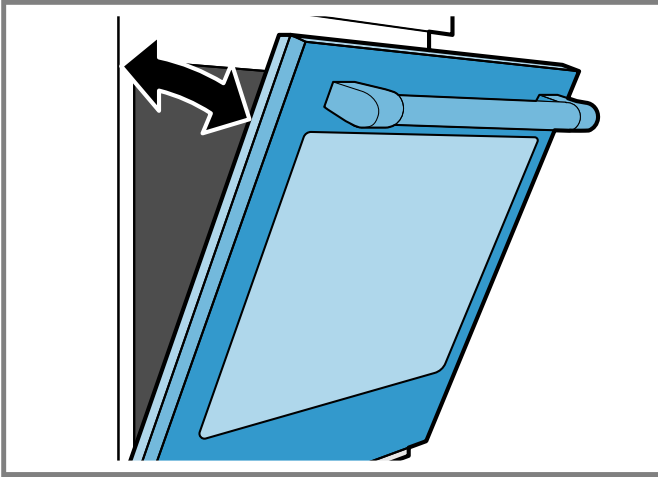
- ▶ La porte du four est lourde et certaines parties sont fragiles. Utilisez les deux mains pour retirer la porte du four.
- ▶ Le devant de la porte est en verre. Manipulez-la avec précaution pour éviter des cassures.
- ▶ Saisir uniquement les côtés de la porte. Ne saisissez pas la poignée. Il peut osciller dans votre main et provoquer des dommages ou des blessures. Si la porte du four n'est pas saisie fermement et correctement, il y a un risque de blessure ou de dommage à l'appareil.
- ▶ Pour éviter toute blessure causée par l'enclenchement soudain du support de charnière, s'assurer que les deux leviers sont bien enclenchés avant d'enlever la porte.
- ▶ Ne forcez pas la porte pour l'ouvrir ou la fermer. La charnière pourrait être endommagée et provoquer des dommages ou des blessures.
- ▶ Ne pas déposer la porte sur des objets acérés ou pointus, car ils risquent de briser la vitre. Posez-la sur une surface plane et lisse, positionnée de manière à ce que la porte ne puisse pas tomber.

1. Ouvrez la porte du four dans sa position complètement ouverte.
2. Basculez les leviers des charnières vers vous.



- Si nécessaire, utilisez un outil, tel qu'un tournevis, pour retirer délicatement la partie supérieure du levier du boîtier. Veillez à ne pas rayer le boîtier.
3. Amenez les deux leviers de charnière de porte à leur position la plus basse. Les charnières gauche et droite de la porte diffèrent légèrement, mais fonctionnent de la même manière.

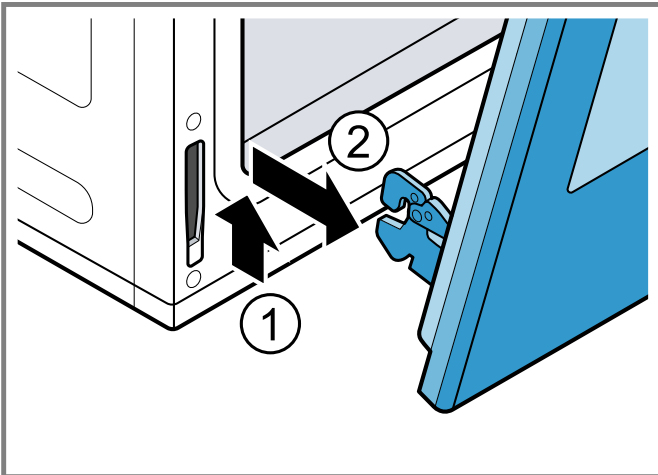
4. **⚠ MISE EN GARDE** Suivez les instructions ci-dessous pour empêcher le loquet de se refermer et de pincer ou de vous couper la main.
Fermer la porte du four jusqu'à ce qu'elle s'accroche sur les leviers d'arrêt des charnières, verrouillant ainsi les charnières au bon angle pour le démontage de la porte.



- ✓ La porte sera ouverte d'environ 7 po (18 cm) en haut.

5. **⚠ MISE EN GARDE** La porte est lourde.
- ▶ Ne saisissez pas la porte par la poignée.
 - ▶ Utilisez les deux mains pour le saisir fermement par les côtés.

En maintenant l'angle de la porte, soulevez la porte vers le haut d'environ 3/4 po (2 cm) pour décrocher les charnières des fentes, puis tirez-la vers vous jusqu'à ce que les charnières soient dégagées du boîtier du four.



6.1 Exigences électriques

Assurez-vous que votre installation électrique prend en charge les exigences suivantes.

⚠ AVERTISSEMENT

Une alimentation électrique 240/208 VCA inappropriée entraînera un dysfonctionnement, endommagera cet appareil et créera éventuellement un état de risque d'électrocution.

Cet appareil doit être correctement mis à la terre. Avant l'installation, couper l'alimentation au panneau de service.

- ▶ Verrouiller le panneau de service pour empêcher que l'alimentation ne soit rétablie par accident.

6. Placez la porte dans un endroit pratique et stable.
Ne posez pas la porte sur sa poignée. Cela pourrait provoquer des bosses ou des rayures.

6 Raccordement électrique

Lisez ces instructions pour connecter votre appareil en toute sécurité à l'alimentation électrique.

⚠ AVERTISSEMENT

N'utilisez pas de rallonge. Si le cordon d'alimentation est trop court, demandez à un électricien ou un technicien qualifié d'installer une prise à proximité de l'appareil. Pour éviter tout risque de choc électrique, la prise de terre du cordon de la cuisinière ne doit en aucun cas être coupée ou retirée.

- ▶ Elle doit être reliée à une prise de type mise à la terre adaptée et connecté à un circuit de 240 volts correctement polarisé.
- ▶ En cas de doute concernant la mise à la terre appropriée de la prise murale, le faites-la vérifier par un électricien qualifié.

- La cuisinière peut être raccordée à l'aide d'un cordon de cuisinière électrique ou d'un raccord électrique à conduit flexible.
- Utilisez uniquement des trousse de cordons de 250 volts, 50 ampères (minimum) et étiquetés « À utiliser avec les cuisinières ».
- Il est recommandé que seules des personnes qualifiées ajoutent un cordon d'alimentation ou effectuent des branchements électriques sur cet appareil.

Remarque : Au Canada, la cuisinière est expédiée de l'usine avec le cordon de la cuisinière déjà installé. Continuez à installer la cuisinière dans les armoires.

- Avant de procéder à l'entretien de l'appareil, débranchez toujours le cordon d'alimentation électrique de l'appareil, le cas échéant, de la prise murale. Si l'appareil est câblé à l'alimentation électrique, débranchez l'alimentation de l'appareil en éteignant le disjoncteur approprié. Verrouillez le panneau de service pour empêcher que l'alimentation ne soit rétablie par accident.
- Un fil d'alimentation neutre doit être fourni à partir de la source d'alimentation (disjoncteur) car les composants critiques de la plage l'exigent pour fonctionner correctement et en toute sécurité.

- Fixez solidement la prise de courant à un montant de cloison puis scellez autour du boîtier de la prise.
- Si le circuit d'alimentation électrique correct n'est pas fourni, il est de la responsabilité et de l'obligation de l'installateur et de l'utilisateur d'avoir une alimentation électrique appropriée connectée. Ceci doit être accompli conformément à tous les codes et ordonnances locaux applicables par un électricien qualifié. Il est de la responsabilité de l'installateur de s'assurer de la conformité aux codes locaux. En l'absence de codes et d'ordonnances locaux, la connexion à l'alimentation électrique doit être conforme au Code national de l'électricité.
- Respectez tous les codes et ordonnances en vigueur lors de la mise à la terre. En l'absence de ces codes ou ordonnances, respectez la version actuelle du Code national de l'électricité ANSI/NFPA 70. Voir les informations suivantes dans cette section pour la méthode de mise à la terre.
- Les schémas de câblage électrique et les schémas ont été placés dans la zone du panneau de plinthe de la cuisinière pour qu'un technicien de service qualifié y ait accès. → Page 28
- Les cuisinières sont à brancher sur une alimentation 240/208 VAC.
- La cuisinière doit être connectée à l'alimentation électrique en utilisant l'une des méthodes suivantes. Pour toutes les méthodes de connexion, la longueur du cordon ou du conduit/câblage doit permettre à l'appareil d'être complètement glissé hors de l'armoire sans avoir à débrancher ou déconnecter l'appareil de l'alimentation électrique.
- La longueur libre minimale recommandée de cordon ou de conduit est de 4 pi (1,2 m). Les installations électriques et la mise à la terre doivent être conformes à tous les codes et ordonnances locaux et/ou au Code national de l'électricité, selon le cas.
- Lors de l'utilisation d'une prise de courant, il s'avère parfois nécessaire d'encastrer le boîtier dans le mur arrière. Consultez le code électrique local pour déterminer le volume minimum pour toutes les boîtes électriques/de jonction. Respectez tous les codes et règlements locaux et/ou le Code national de l'électricité, le cas échéant.

Circuit dédié requis

Modèles	Tension	É.-U.	Canada	Fréquence	Phase
Tout	240/208	50 AMP	50 AMP	60 Hz.	Simple

6.2 Préparation à la connexion électrique

AVERTISSEMENT

Risque d'électrocution ou de feu. La mise à la terre via le conducteur neutre est interdite pour les nouvelles installations de circuit de dérivation (NEC 1996), les caravanes et les véhicules récréatifs, ou dans une zone où les codes locaux interdisent la mise à la terre via le conducteur neutre.

Lorsque la mise à la terre via le conducteur neutre est interdite :

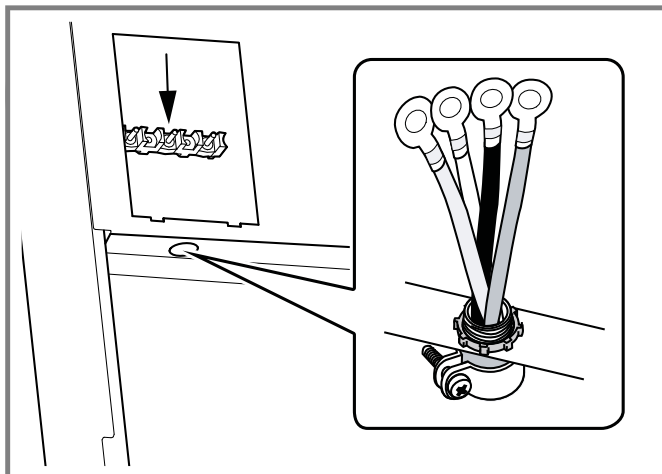
- Déconnectez le lien du neutre.
- Utilisez la borne de mise à la terre ou le fil vers l'unité de terre.
- Connectez la borne neutre au neutre du circuit de dérivation de la manière habituelle. Lorsque l'appareil est connecté grâce à d'une trousse de câbles électriques, utilisez à cet effet un câble à 4 conducteurs.

6.3 Installation d'une connexion à quatre fils

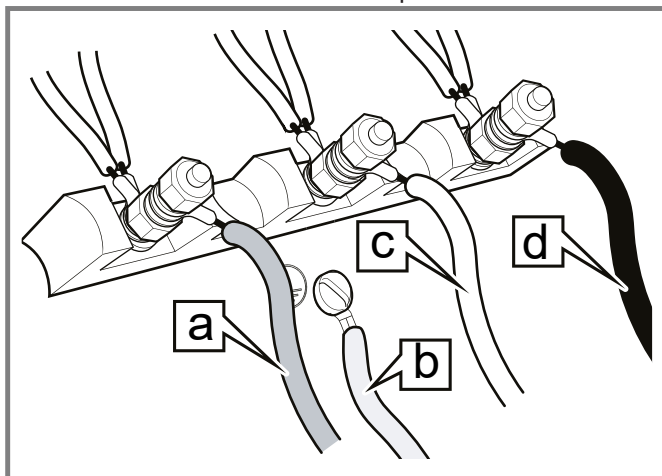
Exigence

- Cet appareil doit être connecté à l'alimentation électrique avec une trousse de cordon homologué (UL, CSA, ...) à 3 POLES, 4 CONDUCTEURS d'un CIRCUIT DÉDIÉ de 250 VOLTS, 50 AMPÈRES et marqué pour une utilisation avec des cuisinières.
 - Il est de la responsabilité de l'installateur de fournir les composants de câblage appropriés (cordon, fils, etc.) et d'effectuer le raccordement électrique conformément aux codes et ordonnances locaux et/ou au Code national de l'électricité.
 - La trousse de cordon doit être fixé au bornier de la cuisinière avec un serre-câble qui s'adaptera à un trou de 1 po (25,4 mm) de diamètre.
 - S'il n'est pas déjà équipé, le cordon doit également avoir des cosses faston à boucle fermée de ¼ po (6 mm) fixées aux extrémités libres des conducteurs individuels, de préférence soudées en place.
1. Débranchez l'alimentation électrique au niveau du boîtier des disjoncteurs.
 2. Localisez le bornier à l'arrière de l'appareil et retirez le couvercle.
 3. Retirez uniquement les écrous supérieurs des goujons du bornier. NE PAS retirer les écrous inférieurs qui fixent les fils de câblage internes de la cuisinière.
 4. Le cas échéant, débranchez le cordon d'alimentation à 4 fils de l'appareil.

5. Montez le réducteur de tension dans le trou de 1 po (25,4 mm) de diamètre du panneau arrière situé sous le bornier. Acheminez les fils vers le haut à travers le serre-câble.



6. Retirez la vis de terre verte et la rondelle dentelée situées sous le bornier.
 7. Fixez le fil blanc neutre du circuit d'alimentation au goujon central du bornier avec un écrou.
 8. Fixez les fils d'alimentation L1 (rouge) et L2 (noir) aux bornes extérieures (couleur laiton) avec des écrous.
 9. Fixez le fil de terre en cuivre nu au châssis de la cuisinière à l'aide de la vis de terre verte et de la rondelle dentelée. Assurez-vous que les bornes de neutre et de terre ne se touchent pas.



a	Rouge / L1
b	Vert / mise à la terre
c	Blanc / neutre
d	Noir / L2

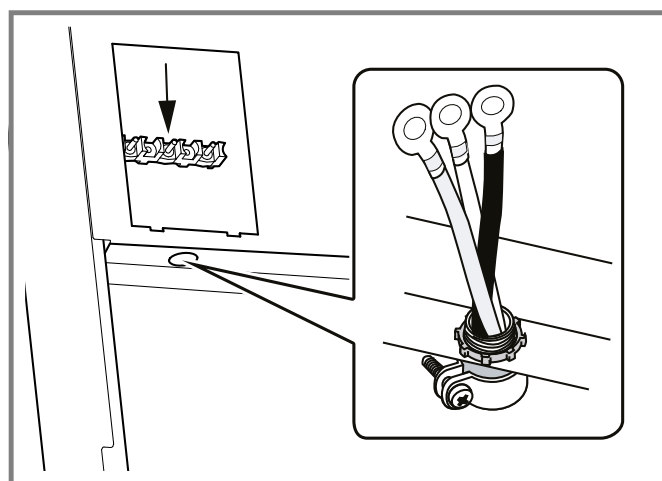
11. Bien serrer toutes les connexions et les écrous.
 12. Réinstallez le couvercle du bornier.

6.4 Installation d'une connexion à trois fils

Exigence

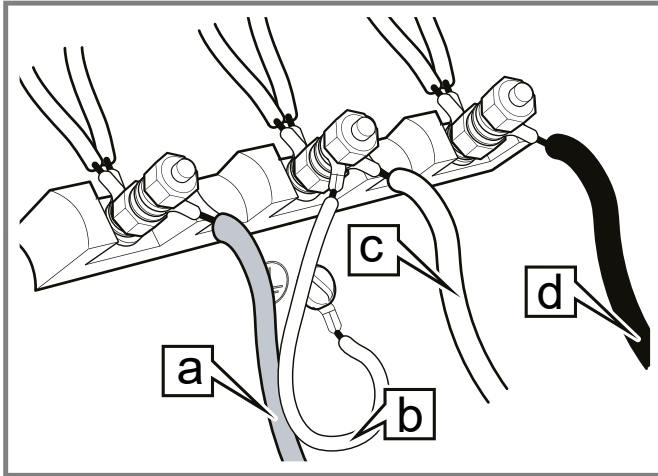
- Lorsque les codes et ordonnances locaux autorisent la mise à la terre via le neutre et que la conversion de l'alimentation en 4 fils n'est pas pratique, l'appareil peut être connecté à l'alimentation électrique avec un cordon homologué (UL, CSA, ...) une tresse à 3 PÔLES, 3 CONDUCTEURS évalué à 250 VOLTS, CIRCUIT DÉDIÉ DE 50 AMPÈRES et marqué pour une utilisation avec des cuisinières.
- Il est de la responsabilité de l'installateur de fournir les composants de câblage appropriés (cordon, fils, etc.) et d'effectuer le raccordement électrique conformément aux codes et ordonnances locaux et/ou au Code national de l'électricité.
- La tresse de cordon doit être fixé au bornier de la cuisinière avec un serre-câble qui s'adaptera à un trou de 1 po (25,4 mm) de diamètre.
- S'il n'est pas déjà équipé, le cordon doit également avoir des cosse faston à boucle fermée de ¼ po (6 mm) fixées aux extrémités libres des conducteurs individuels, de préférence soudées en place.

1. Débranchez l'alimentation électrique au niveau du boîtier des disjoncteurs.
2. Localisez le petit sac avec le fil de raccordement blanc situé dans le paquet de documentation.
3. Localisez le bornier à l'arrière de l'appareil et retirez le couvercle.
4. Retirez uniquement les écrous supérieurs des goujons du bornier. NE PAS retirer les écrous inférieurs qui fixent les fils de câblage internes de la cuisinière.
5. Le cas échéant, débranchez le cordon d'alimentation à 4 fils de l'appareil.
6. Montez le réducteur de tension dans le trou de 1 po (25,4 mm) de diamètre du panneau arrière situé sous le bornier. Acheminez les fils vers le haut à travers le serre-câble.



7. Fixez le fil neutre mis à la terre du circuit d'alimentation au goujon central (de couleur argentée) du bornier.
8. Fixez les fils d'alimentation L1 (rouge) et L2 (noir) aux bornes extérieures (couleur laiton) avec des écrous.

9. Retirez la vis de terre verte et la rondelle dentelée situées sous le bornier. Vissez une extrémité du fil de raccordement blanc inclus au châssis sous le bornier avec la vis de mise à la terre verte. Fixez l'autre extrémité du fil au goujon central du bornier avec un écrou.

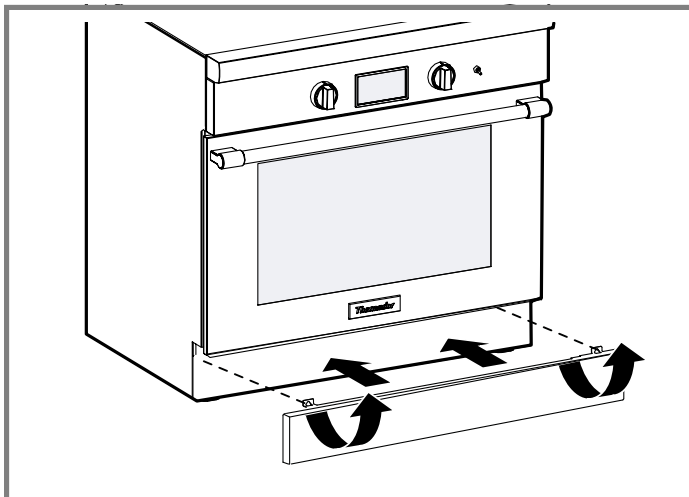


a	Rouge / L1
b	Fil de liaison à la terre fourni dans un petit sac
c	Blanc / neutre
d	Noir / L2

10. Bien serrer toutes les connexions et les écrous.
11. Réinstallez le couvercle du bornier.

6.5 Diagrammes et schémas de câblage électrique

Les diagrammes et schémas de câblage électrique sont fixés derrière le panneau de plinthe et ne doivent être retirés que par un technicien de service, puis remis en place après l'entretien.



7 Procédure d'installation

7.1 Réglage des pieds de nivellement

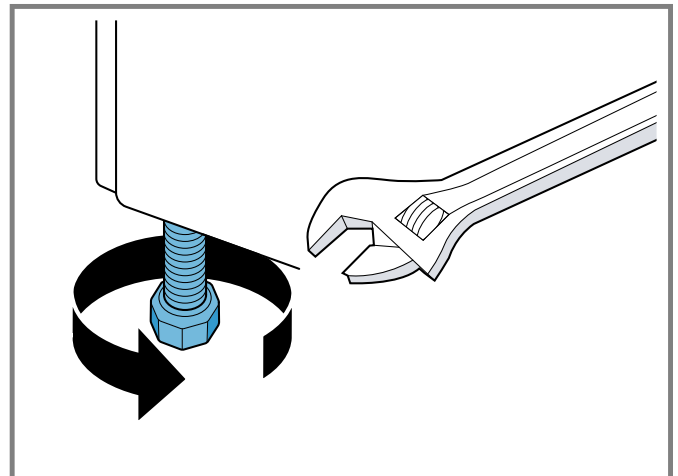
Pour des performances correctes, la cuisinière doit être de niveau. La priorité doit être de s'assurer que la cavité du four est également de niveau pour des performances de cuisson optimales.

AVIS :

Les bords supérieurs des panneaux latéraux de la cuisinière doivent être au même niveau ou plus haut que le comptoir adjacent.

- ▶ NE PAS faire fonctionner la cuisinière si les côtés sont plus bas que l'armoire adjacente. Si la cuisinière est utilisée alors qu'elle est à une hauteur inférieure par rapport à l'armoire adjacente, l'armoire pourrait être exposée à des températures excessives, causant des dommages à l'armoire et au comptoir.

1. Alignez la cuisinière devant l'ouverture.
2. Mesurez d'abord la hauteur du comptoir avec un ruban à mesurer et ajoutez 1/16 po - 1/8 po (2-3 mm) supplémentaires.
3. Faites pivoter les pieds à l'aide d'une clé à molette de 12 po (305 mm) sur les côtés plats de chaque pied.



4. Les pieds de mise à niveau doivent être réglés de manière à ce que les côtés de la cuisinière soient au même niveau ou plus haut que l'armoire adjacente. Ajustez les pieds en conséquence avant de repousser la cuisinière à son emplacement final.

Il peut être nécessaire de repositionner le cordon électrique lorsque la cuisinière est repoussée à sa position finale. Cela peut être accompli en tirant avec précaution sur une corde ou une ficelle enroulée autour de la ligne d'alimentation électrique lorsque la cuisinière est repoussée dans sa position d'installation finale.

5. Lorsque la cuisinière est déplacée dans sa position d'installation finale, vérifiez que le support anti-basculement est en mesure d'engager la cuisinière.

7.2 Placer la cuisinière

⚠ MISE EN GARDE

Le bloc est lourd et nécessite au moins deux personnes ou bien un équipement approprié pour le déplacement.

Il est recommandé de porter des vêtements de protection pendant le processus de levage.

- ▶ Portez des gants et des manches longues pour protéger les mains et les avant-bras de l'abrasion et des rayures potentielles.
- ▶ Enlevez montres et bijoux.
- ▶ Portez des chaussures de travail pour protéger vos pieds.

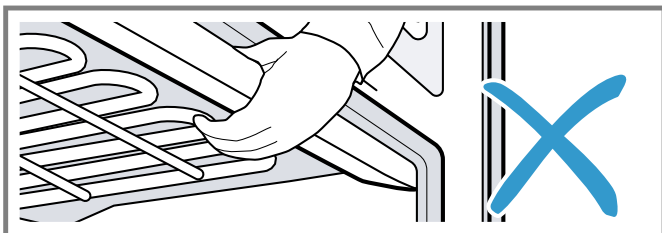
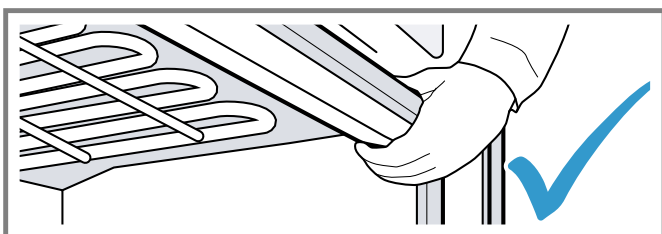
AVIS :

Pour éviter tout risque d'endommagement de la porte du four, ne soulevez, ne poussez ou ne tirez pas la cuisinière en la tenant par la poignée de la porte.

Exigence : Vous avez retiré la porte du four.

1. **⚠ MISE EN GARDE NE PAS** essayer de soulever l'appareil en tenant l'élément chauffant supérieur du four.

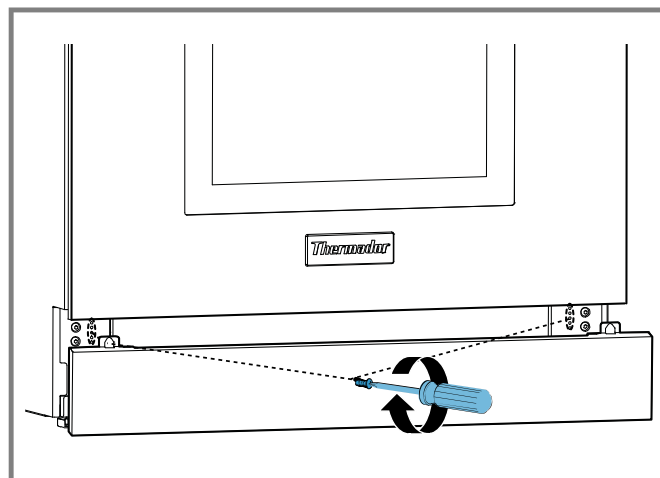
Soulevez la cuisinière hors de la base de l'emballage. Accédez à l'intérieur du haut de la cavité du four pour localiser une zone striée près de l'avant du four.



2. Assurez-vous que le disjoncteur est désactivé, puis branchez le cordon de la cuisinière dans la prise électrique.
3. Humidifiez le comptoir et le sol au bas de l'ouverture avec de l'eau savonneuse.
4. Faites glisser la cuisinière dans l'ouverture. Veillez à ne pas endommager les comptoirs, les planchers ou la façade du tiroir réchaud. N'appliquez pas de pression sur la table de cuisson lorsque vous faites glisser la cuisinière en position. Veillez à ne pas pincer le connecteur électrique flexible.
5. Installez la porte du four. → Page 29
6. Vérifiez l'installation correcte.
 - La table de cuisson doit reposer légèrement sur le comptoir.
 - Il ne doit y avoir aucun espace entre le comptoir et la table de cuisson; cependant, le poids de la cuisinière ne doit pas reposer sur le comptoir.
 - Regardez sous la cuisinière pour vérifier que les deux pattes arrière reposent solidement sur le sol.
 - Vérifiez également que le pied gauche de la cuisinière est retenu par le support anti-bascule.

7.3 Réglage du panneau de la bordure de protection inférieure

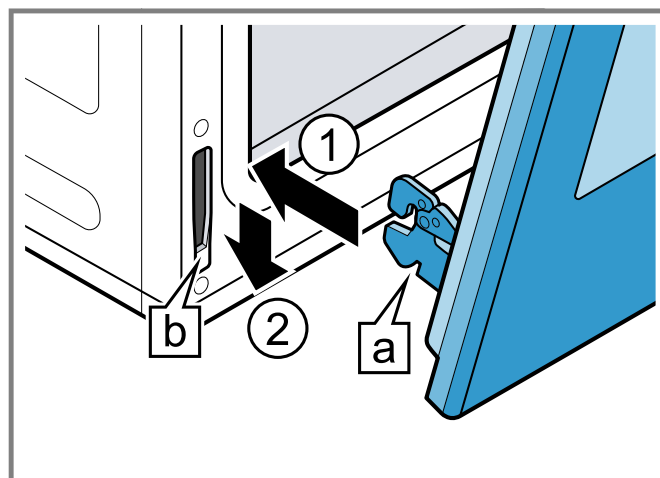
1. Retirez les vis du panneau de plinthe à l'aide d'un tournevis cruciforme T-20.
2. Déplacez le panneau de bordure de protection inférieure à l'une des cinq positions de trou de vis. Réinstallez la vis à tête étoilée.



3. Répétez avec les vis restantes du panneau de bordure de protection inférieure, en vous assurant que le panneau de coup-de-pied est de niveau. Le panneau de bordure de protection inférieure doit maintenir un dégagement minimum de 1/2 po (12,7 mm) au-dessus du sol.

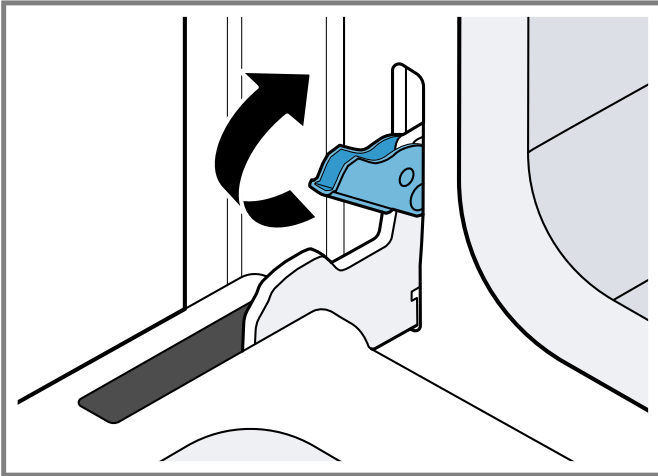
7.4 Réinstallation de la porte du four

1. Maintenir fermement la porte des deux mains. Saisissez-le de chaque côté, pas par la poignée.
2. Inclinez légèrement la porte vers vous à un angle qui ouvrirait la porte d'environ 7 po (18 cm) en haut.
3. Faites glisser les charnières **a** dans les fentes **b** aussi loin que possible ① et abaissez la porte vers le bas ②.



L'angle de la porte peut nécessiter un léger ajustement pour permettre d'engager les charnières convenablement et d'abaisser la porte en place. La porte devrait s'abaisser d'environ 3/4 po (2 cm) et s'arrêter. Si ce n'est pas le cas, les charnières ne se sont pas engagées correctement et la porte pourrait tomber si elle était libérée.

4. Une fois les deux charnières complètement engagées, ouvrez doucement la porte jusqu'à ce qu'elle soit complètement ouverte.
5. Poussez les loquets à levier sur les deux charnières vers le haut et l'avant, jusqu'à ce qu'ils s'enclenchent dans logements, affleurant à l'avant du four.



6. Fermer et ouvrir la porte lentement pour s'assurer qu'elle est correctement et solidement installée.

8 Opération d'essai

Vérifiez si votre appareil fonctionne correctement après avoir terminé les étapes d'installation.

1. Mettez sous tension au disjoncteur.
2. Pour tester le four, sélectionnez le mode **BAKE**. Reportez-vous au manuel d'utilisation pour obtenir des instructions d'utilisation détaillées.
3. Vérifiez que l'éclairage du four s'allume et que le four se met à préchauffer.
4. Pour tester le verrouillage de la porte, sélectionnez le mode **SELF CLEAN**. Confirmez que la porte se verrouille lorsque l'icône de verrouillage s'affiche à l'écran.

9 Service à la clientèle

Lors de toute réparation réalisée dans le cadre de la garantie, nous nous assurons que votre appareil est réparé avec des pièces de rechange d'origine par un technicien dûment formé et agréé. Nous utilisons exclusivement des pièces de rechange d'origine lors des réparations.

Pour plus d'informations sur la durée et les conditions de la garantie dans votre pays, consultez nos modalités de garantie auprès de votre détaillant ou sur notre site Web. Si vous contactez le service à la clientèle, indiquez le numéro de modèle (E-Nr.) et le numéro de fabrication (FD) de l'appareil.

USA:

1-800-735-4328

www.thermador.com/support

www.thermador.com/us/accessories

CA:

1-800-735-4328

www.thermador.ca

www.thermador.ca/fr/soutien/filtres-nettoyants-accessoires

Vous trouverez également de l'aide pour contacter Home Connect™ à l'adresse suivante : www.home-connect.com/us/en/help-support/set-up

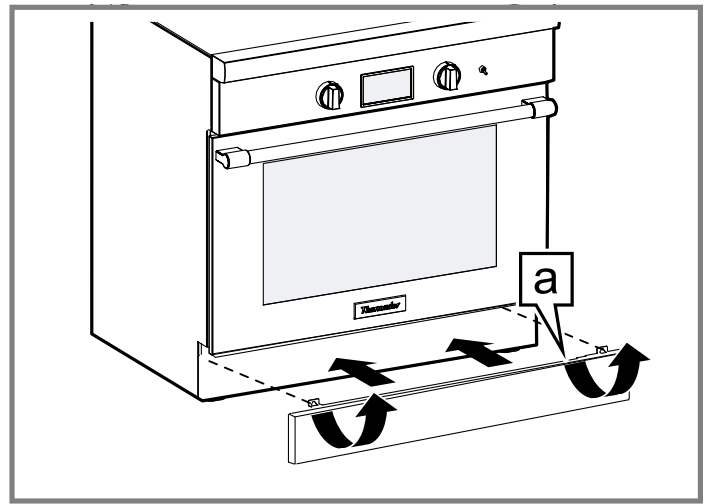
9.1 Numéro de modèle (E-Nr.) et numéro de fabrication (FD)

Le numéro de modèle (E-Nr.) et le numéro de fabrication (FD) sont indiqués sur la plaque signalétique de l'appareil. Pour retrouver rapidement les données de votre appareil et le numéro de téléphone du service à la clientèle, n'hésitez pas à les recopier ailleurs.

9.2 Emplacement de la plaque signalétique

Vous trouverez la plaque signalétique de votre appareil :

- À l'arrière du panneau de protection inférieur. Retirez le panneau de protection inférieur pour le voir.



a Plaque signalétique

Tabla de contenidos

1 INSTRUCCIONES DE SEGURIDAD IMPORTANTES.....	32
1.1 Definiciones de seguridad.....	32
1.2 Instrucciones generales de seguridad.....	32
1.3 Seguridad de manejo del aparato.....	33
1.4 Seguridad eléctrica.....	34
1.5 Códigos y normas de seguridad.....	34
1.6 REQUISITOS DE ESPACIO LIBRE.....	35
1.7 Advertencias en virtud de la Proposición 65 del estado de California.....	35
2 Antes de empezar.....	36
2.1 Partes incluidas.....	36
2.2 Herramientas y componentes necesarios.....	36
2.3 Requisitos de potencia y de conexión a tierra.....	36
2.4 Requisitos para la ventilación.....	36
3 Desembalar y mover el aparato.....	37
3.1 Retirar el embalaje.....	37
3.2 Mover el aparato.....	37
4 Requisitos de instalación.....	37
4.1 Medidas del aparato.....	37
4.2 Requisitos de ubicación.....	37
5 Antes de la instalación.....	38
5.1 Instalar la placa de fijación antivuelco.....	38
5.2 Retirar la puerta del horno.....	39
6 Conexión eléctrica.....	40
6.1 Requisitos eléctricos.....	40
6.2 Preparación para la conexión a la alimentación.....	41
6.3 Instalación de una conexión de cuatro cables.....	41
6.4 Instalación de una conexión de tres cables.....	42
6.5 Diagramas y esquemas de cableado eléctrico.....	43
7 Procedimiento de instalación.....	43
7.1 Ajustar las patas de nivelación.....	43
7.2 Colocar la estufa.....	43
7.3 Ajustar el panel del zócalo.....	44
7.4 Reinstalación de la puerta del horno.....	44
8 Comprobación del funcionamiento.....	45
9 Servicio de atención al cliente.....	45
9.1 Número de modelo (E-Nr.) y número de fabricación (FD).....	45
9.2 Ubicación de la placa de características del aparato.....	45



INSTRUCCIONES DE SEGURIDAD IMPORTANTES

LEA Y CONSERVE ESTAS INSTRUCCIONES

Leer atentamente todas las instrucciones antes de proceder con el uso. Si se toman estas precauciones, se reducirán los riesgos de descargas eléctricas, incendios y lesiones personales. Al utilizar aparatos de cocina, se deben tomar precauciones de seguridad básicas, incluidas las que se detallan en las páginas siguientes.

⚠ ADVERTENCIA:

No operar nunca la zona de cocción de la superficie de este electrodoméstico sin supervisión.

- Si no se observa esta advertencia, se podría producir una explosión o un riesgo de quemaduras que podría dar lugar a daños materiales, personales o incluso la muerte.
- Si ocurriera un incendio, mantenerse alejado del aparato y ponerse en contacto de inmediato con los bomberos.

**NO INTENTAR EXTINGUIR CON AGUA
UN INCENDIO CAUSADO POR ACEITE/GRASA**

1.1 Definiciones de seguridad

Aquí puede encontrar explicaciones de las palabras de señal de seguridad utilizadas en este manual.

⚠ ADVERTENCIA

Esto indica que pueden producirse la muerte o heridas graves si no se cumple con esta advertencia.

⚠ PRECAUCIÓN

Esto indica que pueden producirse heridas leves o moderadas si no se cumple con esta advertencia.

AVISO:

Esto indica que pueden producirse daños en el aparato o en los bienes si no se cumple con este aviso.

Nota: Esto alerta sobre información o sugerencias importantes.

1.2 Instrucciones generales de seguridad

Todos los manuales de producto pueden descargarse en línea en www.thermador.com/us/support/owner-manuals.

IMPORTANTE: EL MONTAJE DEL ELECTRODOMÉSTICO DEBE REALIZARLO UN INSTALADOR CALIFICADO.

IMPORTANTE: CONSERVAR ESTAS INSTRUCCIONES PARA QUE PUEDA USARLAS EL INSPECTOR DE ELECTRICIDAD LOCAL.

INSTALADOR: DEJAR ESTAS INSTRUCCIONES DE INSTALACIÓN JUNTO A LA UNIDAD PARA EL PROPIETARIO.

PROPIETARIO: Conservar estas instrucciones para referencia futura. Leer íntegramente las instrucciones antes de utilizar el aparato. El instalador debe mostrar al usuario dónde se encuentra el breaker del circuito eléctrico para que el usuario sepa dónde puede desconectar el suministro eléctrico del aparato. Examinar el aparato después de desembalarlo. En el caso de que se hayan producido daños en el transporte, no enchufarlo.

ADVERTENCIA

Si no se sigue con exactitud la información de este manual, se puede producir un incendio o una descarga eléctrica que podrían causar daños materiales o lesiones personales.

No reparar, reemplazar ni retirar ninguna parte del aparato a menos que se recomiende específicamente en los manuales. La instalación, el servicio técnico o el mantenimiento incorrectos pueden causar lesiones o daños materiales.

- Consultar este manual como guía.



INSTRUCCIONES DE SEGURIDAD IMPORTANTES

LEA Y CONSERVE ESTAS INSTRUCCIONES

- ▶ Cualquier otra labor de mantenimiento debe de ser efectuada por un proveedor de servicios de mantenimiento autorizado.

ADVERTENCIA

RIESGO DE VUELCO DE LAS ESTUFAS



- ▶ Una estufa puede volcar y causar lesiones. Para evitar que la estufa vuelque por accidente, fijarla al suelo, a la pared o al mueble instalando la placa de fijación antivuelco que se incluye.
- ▶ Si la estufa vuelca sobre un niño o un adulto, puede causarle lesiones graves o incluso la muerte. Comprobar que la placa de fijación antivuelco esté firmemente instalada. Asegurarse de que la placa de fijación antivuelco esté conectada al mover la estufa.
- ▶ **NO** manejar la estufa sin la placa de fijación antivuelco colocada. Si no se siguen las instrucciones de este manual, pueden producirse muertes o graves quemaduras en niños y adultos.
- ▶ Si se aparta la estufa para su limpieza, su mantenimiento o por cualquier otro motivo, es preciso asegurarse de volver a colocar correctamente la placa de fijación antivuelco al volver a colocarla. Si no se sigue esta recomendación, la estufa podría volcar si se realiza un uso indebido de la misma (p. ej., una persona se sube o se sienta en ella o se apoya en la puerta abierta). Tanto la propia estufa como los líquidos calientes que se derramen podrían causar lesiones.
- ▶ Comprobar que la instalación sea la adecuada y que se use la placa de fijación antivuelco. Inclinar con cuidado la estufa tirando de ella hacia delante desde la parte de atrás para garantizar que la placa de fijación antivuelco sujete las patas del aparato, con lo que se evitará que vuelque. La estufa no debe moverse más de 1" (2.5 cm).

No modificar ni alterar la construcción del aparato.

- ▶ Por ejemplo, no retirar las patas de nivelación, los paneles, las cubiertas para cables ni los tornillos o soportes antivuelco.

El aparato solamente deberá usarse si lo ha instalado un técnico calificado, de acuerdo con estas instrucciones de instalación y todos los códigos y regulaciones aplicables.

El fabricante no es responsable de la instalación incorrecta o de la omisión de seguir los códigos y regulaciones locales aplicables.

Para eliminar el riesgo de sufrir quemaduras o que se produzca un incendio al alcanzar las unidades cuya superficie esté caliente, se deberá evitar colocar gabinetes de almacenamiento encima de las unidades de la superficie.

- ▶ Si va a haber gabinetes de almacenamiento, el riesgo puede reducirse colocando una campana que se proyecte horizontalmente como mínimo 5" (127 mm) más allá de la base del gabinete.
- ▶ Verificar que los gabinetes que se encuentren encima de la placa de cocción tengan, como máximo, 13" (330 mm) de profundidad.

ADVERTENCIA

NO instalar este aparato en zonas exteriores.

ADVERTENCIA

Retirar toda la cinta y el embalaje antes de usar el aparato.

- ▶ Desechar el embalaje de manera respetuosa con el medio ambiente.
- ▶ No dejar nunca que los niños jueguen con el material de embalaje.
- ▶ Almacenar las partes pequeñas con seguridad, ya que estas pueden ser tragadas fácilmente.

ADVERTENCIA

Para evitar posibles riesgos de quemaduras o incendios, se debe instalar una consola trasera diseñada específicamente para este aparato siempre que sea usado.

AVISO:

Existe la posibilidad de que la pared trasera se decolore bajo ciertas condiciones de cocción.

1.3 Seguridad de manejo del aparato

ADVERTENCIA



La unidad pesa mucho y se requieren al menos dos personas o un equipo adecuado para trasladarla.

- ▶ No levantar el aparato agarrándolo del asa de la puerta.
- ▶ No levantar el aparato por el panel de control del horno.



INSTRUCCIONES DE SEGURIDAD IMPORTANTES

LEA Y CONSERVE ESTAS INSTRUCCIONES

- ▶ Para un manejo y una instalación más cómodos, extraer la puerta. Véanse las instrucciones a tal efecto en el presente manual.
- ▶ No utilizar una carretilla de carga o una plataforma rodante con el aparato, ni por su parte trasera ni por la delantera. Manipular el aparato solo por los lados.

ADVERTENCIA



Las superficies ocultas pueden tener bordes afilados.

- ▶ Proceder con cuidado al intentar sujetar el aparato por la parte trasera o desde abajo.
- ▶ Usar guantes para evitar cortes en los dedos por los bordes afilados durante la instalación.

1.4 Seguridad eléctrica

- **Instalador:** es preciso mostrar al propietario la ubicación del breaker del circuito o del fusible. Marcarla para recordarla más fácilmente.
- Si el Código Nacional Eléctrico (o el Código Eléctrico Canadiense) así lo exige, este aparato debe instalarse con un circuito derivado dedicado por separado.
- Las normativas locales varían. El instalador es responsable de asegurarse de que la instalación, las conexiones y la toma de tierra cumplan con todas las normativas aplicables. El fabricante no es responsable de la instalación incorrecta o de la omisión de seguir los códigos y regulaciones locales aplicables.
- Asegurar que este aparato sea instalado y conectado a tierra debidamente por un técnico calificado de acuerdo con la última edición del Código Nacional Eléctrico establecido por la norma 70 del Instituto Nacional de Normalización Estadounidense (American National Standards Institute, ANSI)/Asociación Nacional de Protección contra Incendios (National Fire Protection Association, NFPA).
- Utilizar únicamente kits de cables de alimentación eléctrica aptos para este aparato y marcado «For use with ranges» (para uso con electrodomésticos) en la etiqueta.
- Para obtener más información, consultar la placa de características.
→ "Ubicación de la placa de características del aparato", Página 45

ADVERTENCIA

Antes de realizar la instalación, desconectar la alimentación eléctrica en el panel de servicio.

- ▶ Bloquear el panel de servicio para impedir que se conecte accidentalmente la alimentación eléctrica.



PELIGRO DE DESCARGA ELÉCTRICA

- ▶ Desconectar la alimentación eléctrica antes de proceder a la instalación o al mantenimiento. Antes de encender la alimentación, es preciso asegurarse de que todos los controles estén en la posición OFF (apagado).
- ▶ NO quitar las conexiones.
- ▶ NO usar un cable de extensión.
- ▶ Una puesta a tierra incorrecta puede causar una descarga eléctrica.
- ▶ No seguir estas instrucciones puede producir la muerte, provocar un incendio o una descarga eléctrica.

INSTRUCCIONES PARA LA CONEXIÓN A TIERRA

- ▶ Este aparato debe estar conectado a tierra.
- ▶ La conexión a tierra reduce el riesgo de descargas eléctricas, ya que proporciona una vía de escape de la corriente eléctrica en caso de cortocircuito.
- ▶ Asegurarse de que el aparato esté correctamente instalado y conectado a tierra por un técnico calificado.
- ▶ La instalación, las conexiones eléctricas y la conexión a tierra deben cumplir con todas las normas aplicables.

No usar un cable de extensión. Si el cable de suministro de alimentación es demasiado corto, se deberá solicitar a un electricista calificado que instale una toma de corriente cerca del aparato.

Antes de conectar o encender la fuente de alimentación eléctrica, asegurarse de que todos los controles se encuentren en la posición OFF (Apagado).

1.5 Códigos y normas de seguridad

Este aparato cumple con la última versión de una o varias de las siguientes normas:

- UL 858: estufas eléctricas de uso doméstico
- CAN/CSA-C22.2 n.º 61: electrodomésticos de cocción





INSTRUCCIONES DE SEGURIDAD IMPORTANTES

LEA Y CONSERVE ESTAS INSTRUCCIONES

Normas aplicables:

- Comprobar las normas locales de construcción para conocer el método adecuado de instalación de aparatos.
- Las normas locales pueden variar; es responsabilidad del instalador asegurar que la instalación cumpla con estas normas.
- La instalación, las conexiones eléctricas y la conexión a tierra deben cumplir con todas las normas aplicables.
- La instalación de aparatos diseñados para ser instalados en casas prefabricadas (móviles) deben cumplir con la Norma de Seguridad y Construcción de Casas Prefabricadas, Título 24 CFR, Parte 3280 [antigua Norma Federal de Seguridad y Construcción de Casas Móviles, Título 24, HUD {Parte 280}] o con las normas locales donde corresponda.
- El montaje de aparatos diseñados para casas móviles debe cumplir con las normas estatales o de otro tipo o, en ausencia de dichas normas, con la normativa para vehículos recreativos, ANSI A119.5 Park Model Recreational Vehicle Standard.

Es responsabilidad del propietario y del instalador determinar si son aplicables otros requisitos o normas en instalaciones específicas.

1.6 REQUISITOS DE ESPACIO LIBRE

Para evitar manchas en la pared posterior, se recomienda el uso de materiales de construcción no porosos y de alta temperatura, adecuados para un ambiente de cocina.

IMPORTANTE: Existe la posibilidad de que la pared trasera se decolore bajo ciertas condiciones de cocción. Todos los modelos enumerados son adecuados para un espacio libre trasero de 0" con respecto a superficies combustibles.

Las separaciones deben ser aprobadas por las normas locales o por la autoridad local competente.

Los espacios libres con respecto a materiales no combustibles no son parte del alcance ANSI Z21.1 y no están certificados por CSA.

1.7 Advertencias en virtud de la Proposición 65 del estado de California

Este producto puede contener un químico que el Estado de California reconoce como potencialmente cancerígeno o causante de daños reproductivos. Por tanto, su producto debe llevar en su embalaje la siguiente etiqueta de conformidad con la legislación de California:

ADVERTENCIA EN VIRTUD DE LA PROPOSICIÓN 65 DEL ESTADO DE CALIFORNIA:

⚠ ADVERTENCIA

Cáncer y daño reproductivo - www.P65Warnings.ca.gov

2 Antes de empezar

Este manual de instalación abarca varios modelos. Todos los gráficos son representativos. La apariencia y las funciones del aparato pueden variar.

2.1 Partes incluidas

Después de desembalar el aparato, verifique que todas las piezas no presenten daños ocasionados durante el transporte, así como que el volumen de suministro esté completo.

- Placa de fijación antivuelco
- Tornillos de cabeza de cruz de 1½" (38 mm) (4)
- Conectores para terminales para uso en instalaciones conectadas directamente a la red (no obligatorios para instalaciones en Canadá)

2.2 Herramientas y componentes necesarios

Preparar los siguientes accesorios y herramientas antes de comenzar la instalación del aparato.

Herramientas

- Lápiz
- Cinta métrica
- Nivel
- Gafas de seguridad
- Guantes de seguridad
- Llave estrellada o de carraca de 7/16" (11 mm)
- Taladro manual o eléctrico
- Broca de 3/16" (4.76 mm)
- Broca de 1/8" (3.17 mm)
- Desarmador Torx T-20
- Desarmador de estrella T-30
- Llave ajustable de 12" (305 mm)
- Desarmador Phillips
- Una tela o cartón para proteger el suelo
- Soporte rodante para muebles

Piezas adicionales requeridas

- Tacos para paneles de yeso / hormigón
- Kit de cable de alimentación eléctrica de 40 o 50 A con protección para cables; en función de los códigos locales; no es necesario para instalaciones en Canadá, el cable viene preinstalado de fábrica.
- Cuerda/hilo

Piezas adicionales requeridas para instalaciones conectadas directamente a la red

- Conducto flexible
- Llave de torque

AVISO:

Existe la posibilidad de que la pared trasera se decolore bajo ciertas condiciones de cocción.

2.3 Requisitos de potencia y de conexión a tierra

El contacto para el enchufe debe incorporar una conexión a tierra adecuada de conformidad con todas las normas aplicables.

2.4 Requisitos para la ventilación

- Consultar la «Guía de planificación de ventilación» para ver las combinaciones de ventilación aprobadas.
- Se recomienda encarecidamente que este aparato se instale junto con una campana extractora de Thermador. Debido a la alta capacidad térmica de este aparato, se debe prestar especial atención a la instalación de la campana y los conductos para garantizar que cumpla con las normas locales de construcción.
- Las campanas extractoras y los extractores están diseñados para utilizarse con conductos de pared simple. Sin embargo, algunas normas locales de construcción o algunos inspectores pueden exigir conductos de doble pared. Consultar las normas locales de construcción o las agencias locales antes de comenzar para asegurarse de que la instalación de campanas y conductos cumpla con los requisitos locales.

AVISO:

La mayoría de las campanas extractoras contienen componentes combustibles que deben tenerse en cuenta al planificar la instalación.

Preparar la ventilación

1. Seleccionar los modelos de campanas y extractores.
 - Para el montaje en pared, el ancho de la campana extractora debe ser igual, como mínimo, al ancho de la estufa o placa de cocción. Si el espacio lo permite, una campana extractora con un ancho mayor que la estufa/placa de cocción puede ser deseable para mejorar el rendimiento de ventilación.
 - Para montaje en isla, el ancho de la campana extractora debe sobresalir del ancho de la estufa/placa de cocción por cada lado un mínimo de 3" (76 mm).
2. Tener en cuenta la ubicación de la campana extractora.
 - Para eliminar mejor el humo, el borde inferior de la campana debe instalarse 30" (762 mm) por encima de la superficie de cocción de la estufa.
 - Si la campana extractora contiene materiales combustibles (p. ej., una cubierta de madera), debe instalarse a un mínimo de 36" (914 mm) por encima de la superficie de cocción.
3. Tener en cuenta el aire de reposición.
 - Debido al elevado volumen de aire de ventilación, se recomienda disponer de una fuente de aire de reemplazo exterior. Esto es especialmente importante en hogares herméticamente selladas y aisladas.
 - Se debe consultar a un contratista calificado en calefacción y ventilación.

3 Desembalar y mover el aparato

⚠ ADVERTENCIA



- La unidad pesa mucho y se requieren al menos dos personas o un equipo adecuado para trasladarla.
- ▶ No levantar el aparato agarrándolo del asa de la puerta.
 - ▶ No levantar el aparato por el panel de control del horno.
 - ▶ Para un manejo y una instalación más cómodos, extraer la puerta. Véanse las instrucciones a tal efecto en el presente manual.
 - ▶ No utilizar una carretilla de carga o una plataforma rodante con el aparato, ni por su parte trasera ni por la delantera. Manipular el aparato solo por los lados.

⚠ ADVERTENCIA



- Las superficies ocultas pueden tener bordes afilados.
- ▶ Proceder con cuidado al intentar sujetar el aparato por la parte trasera o desde abajo.
 - ▶ Usar guantes para evitar cortes en los dedos por los bordes afilados durante la instalación.

3.1 Retirar el embalaje

Consultar el diagrama en el embalaje.

1. Retirar la caja exterior y los materiales de embalaje del palet de envío.
 - Dejar las láminas protectoras que cubren las superficies de metal cepillado hasta que la estufa esté instalada en su posición final para proteger los acabados de arañazos.
 - No retirar la espuma del panel de control hasta que el aparato esté completamente montado.
2. Retirar los pernos del palet en la parte frontal y posterior con una llave estrellada o de carraca de $\frac{7}{16}$ " (11 mm).
3. Levantar el aparato y retirarlo del palet. Si es preciso, utilizar ayuda adicional.
4. Desechar el material de embalaje de manera respetuosa con el medio ambiente.

3.2 Mover el aparato

Debido al peso, se debe utilizar un soporte con ruedas blandas o un elevador neumático para mover este aparato. El peso debe repartirse uniformemente por toda la base.

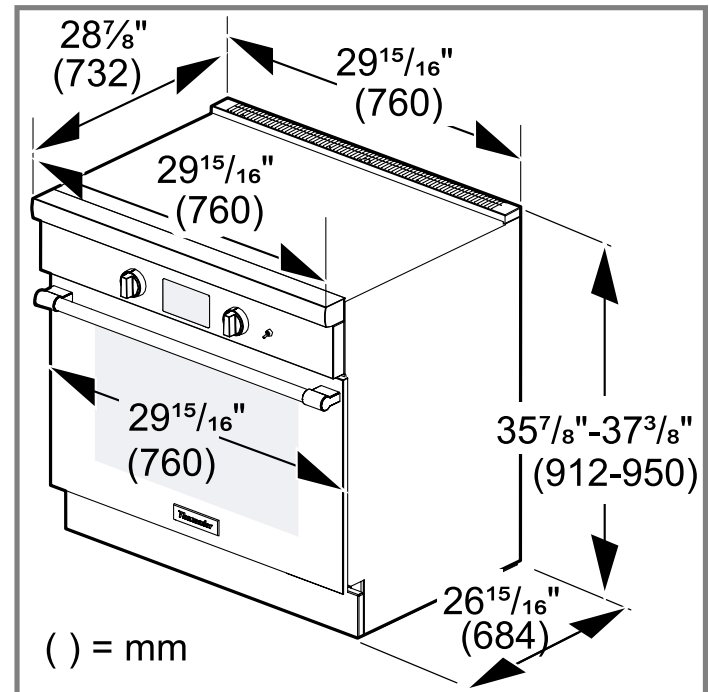
1. Transportar el aparato con un soporte rodante para muebles o un elevador neumático hasta dejarlo cerca de su posición final.
 - No empujar el aparato por su parte frontal o posterior.
 - NO deslizar el aparato sobre un piso no protegido.
2. Se puede inclinar el aparato y apoyarlo sobre sus patas traseras mientras se retira con cuidado el soporte rodante. **SE DEBE PROTEGER EL PISO DEBAJO DE LAS PATAS ANTES DE EMPUJAR LA UNIDAD EN SU POSICIÓN.**

4 Requisitos de instalación

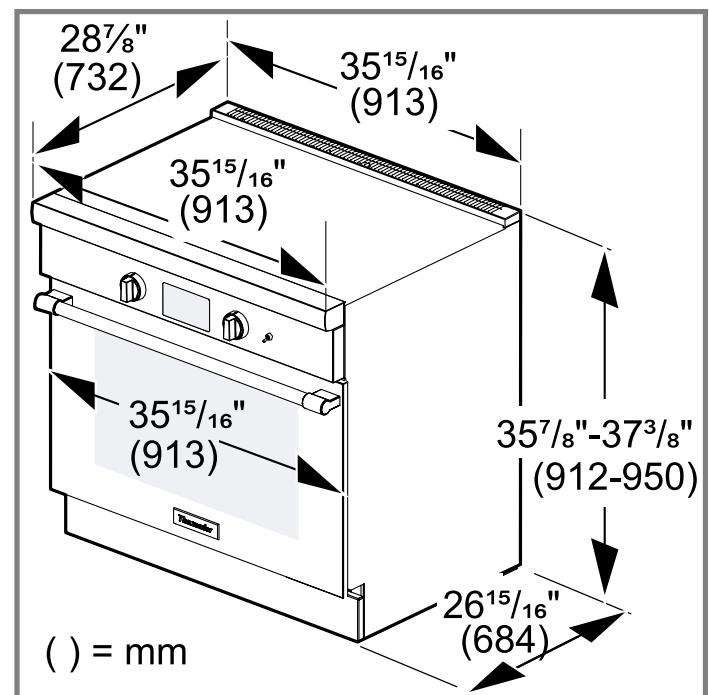
Leer las presentes instrucciones para preparar el espacio de instalación del aparato.

4.1 Medidas del aparato

Placas de 30"



Placas de 36"



4.2 Requisitos de ubicación

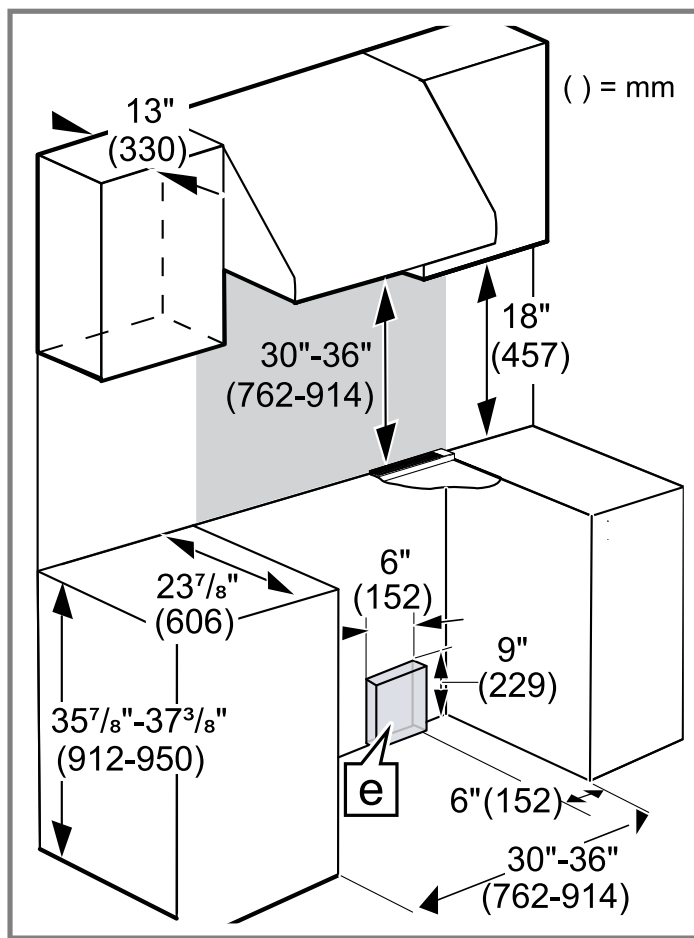
El aparato es una unidad de libre instalación. Si el aparato se va a colocar junto a los gabinetes, se requieren los espacios libres que se muestran en esta sección. Se aplican los mismos espacios libres para las instalaciones

de isla, excepto para los gabinetes superiores, que deben tener un espacio lo suficientemente ancho para la campana extractora de isla.

Especificaciones:

- El suministro eléctrico debe estar dentro de la zona e, que se muestra en la imagen sobre los requisitos de espacio libre.
- Debe sellarse cualquier abertura en la pared que haya detrás del aparato y en el piso debajo del aparato.
- El área sombreada detrás del aparato indica que existe la posibilidad de que la pared posterior se decolore en ciertas condiciones de cocción.
- Debe haber un espacio libre lateral mínimo de 5" (127 mm) entre el aparato y las superficies verticales combustibles a una altura de 36" (914 mm) sobre la cubierta.
- Esta unidad está diseñada para ser instalada cerca de paredes adyacentes y superficies en voladizo construidas con materiales combustibles. No se requiere ninguna separación entre las paredes de la unidad y las paredes verticales adyacentes de materiales combustibles en la parte trasera o en los costados (a derecha e izquierda).
- Los gabinetes de pared con este espacio libre lateral de 5" (127 mm) deben estar 18" (457 mm) por encima de la cubierta de 36" (914 mm).
- La profundidad máxima de los gabinetes que cuelguen a ambos lados de la campana extractora es de 13" (330 mm).
- Se exige un espacio libre mínimo 36" (914 mm) entre la parte superior de la superficie de cocción y la base de un mueble no protegido. Se puede aplicar un espacio libre de 30" (762 mm) si la base del gabinete de madera o metal está protegida por un material ignífugo de grosor no inferior a 1/4" (6 mm) y cubierto con una chapa de acero de categoría no inferior al n.º 28 de MSG, de acero inoxidable de 0.015" (0.38 mm) de grosor, de aluminio de 0.024" (0.61 mm) de grosor o de cobre de 0.02" (0.51 mm) de grosor.
- NO obstruir las aberturas de ventilación del horno.
- La altura del aparato es ajustable. El nivel de la placa de cocción debe estar al mismo nivel que el nivel superior de la cubierta o por encima de ella.
- Para garantizar una ventilación apropiada de la estufa, NO se deben quitar las patas.

Requisitos de espacio libre de los gabinetes



e Ubicación de la toma de corriente

- Para instalar la moldura de ventilación, la superficie de la cubierta debe tener un borde en voladizo que coincida con la sección trasera de la moldura de ventilación.
- Si se utiliza una pared interior debajo de la cubierta en voladizo, debe dejarse un hueco de 1/8" (3 mm) desde la parte posterior del aparato.

5 Antes de la instalación

Llevar a cabo los siguientes pasos para preparar el aparato para su instalación.

5.1 Instalar la placa de fijación antivuelco

El electrodoméstico puede inclinarse hacia adelante, cosa que podría causar lesiones y daños, si la placa de fijación antivuelco no está bien instalada. No manejar el electrodoméstico sin la placa de fijación antivuelco colocada.

⚠ ADVERTENCIA

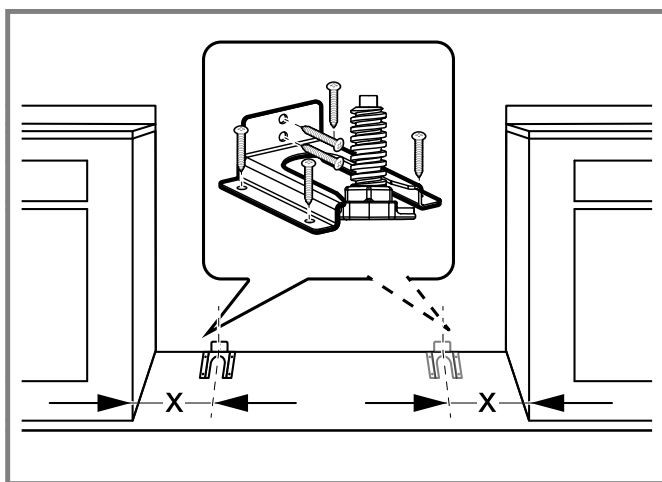
Un adulto o un niño puede hacer que la estufa vuelque y causar así peligro de muerte.

- ▶ Comprobar que la placa de fijación antivuelco esté firmemente instalada. Asegurarse de que la placa de fijación antivuelco esté conectada al mover la cocina.

⚠ ADVERTENCIA**PELIGRO DE DESCARGA ELÉCTRICA**

- ▶ Extremar las precauciones a la hora de taladrar agujeros en la pared o en el piso, ya que podría haber cables eléctricos ocultos.
- ▶ Identificar los circuitos eléctricos que pudieran resultar afectados por la instalación de la placa de fijación antivuelco y, a continuación, desconectar la corriente que va a estos circuitos.
- ▶ No seguir estas instrucciones puede producir una descarga eléctrica u otras lesiones personales.

1. Retirar la placa de fijación antivuelco del paquete de documentación, dentro de la caja que estaba en la parte superior del aparato.
2. Colocar la placa de fijación antivuelco en el piso como se muestra en la imagen. Puede colocarse tanto en el lado izquierdo como en el derecho.
 - Medir y marcar la distancia indicada para el modelo de su aparato. Centrar la placa de fijación antivuelco en la marca.



Modelo	Valor para «X»
30"	1¾" (45 mm)
36"	2¾" (56 mm)

3. Para paredes, montantes de pared o pisos compuestos de madera maciza o metal, taladrar orificios guía de ⅛" (3 mm).
4. Fijar la placa de fijación antivuelco al piso o al montante de la pared con los (4) tornillos de cabeza en cruz de 1½" (38 mm) suministrados.
5. Al instalar el aparato, asegurarse de que la pata ajustable se deslice por debajo de la placa de fijación antivuelco.

5.2 Retirar la puerta del horno

Se recomienda extraer la puerta del horno para de reducir el peso del aparato y así facilitar su manejo y su instalación.

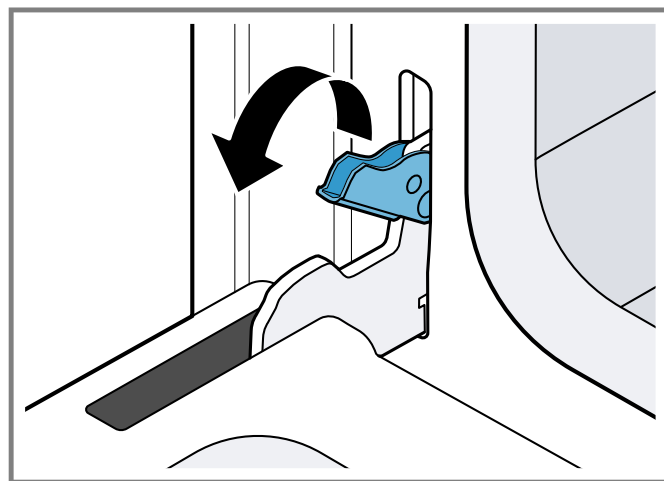
⚠ ADVERTENCIA

Si no se siguen las presentes instrucciones para retirar la puerta del horno, existe un riesgo de sufrir lesiones personales o dañar el producto.

- ▶ Asegurarse de que el horno esté frío y de que se haya desconectado el aparato de la corriente eléctrica antes de retirar la puerta. De no hacerlo, se puede producir una descarga eléctrica o quemaduras.

- ▶ La puerta del horno es pesada y algunas de sus partes son frágiles. Usar las dos manos para extraer la puerta del horno.
- ▶ La puerta frontal es de cristal. Es preciso manejarla con cuidado para evitar que se rompa.
- ▶ Agarrar solo el lateral de la puerta del horno. No se debe agarrar por el asa; podría resbalar en la mano y causar daños o lesiones. Si no se agarra la puerta del horno con firmeza y adecuadamente, podrían producirse lesiones personales o daños en el producto.
- ▶ Para evitar lesiones al cerrarse bruscamente la placa de fijación de la bisagra, asegurarse de que las dos palancas estén firmemente colocadas antes de quitar la puerta.
- ▶ No forzar la apertura ni el cierre de la puerta; se podría deteriorar la bisagra y se correría el riesgo de sufrir daños o lesiones.
- ▶ No dejar la puerta extraída sobre objetos afilados o puntiagudos, ya que se podría romper el cristal. Colocarla sobre una superficie plana y suave para que no se caiga.

1. Abrir la puerta del horno hasta una posición completamente abierta.
2. Voltear las palancas de las bisagras hacia sí mismo.

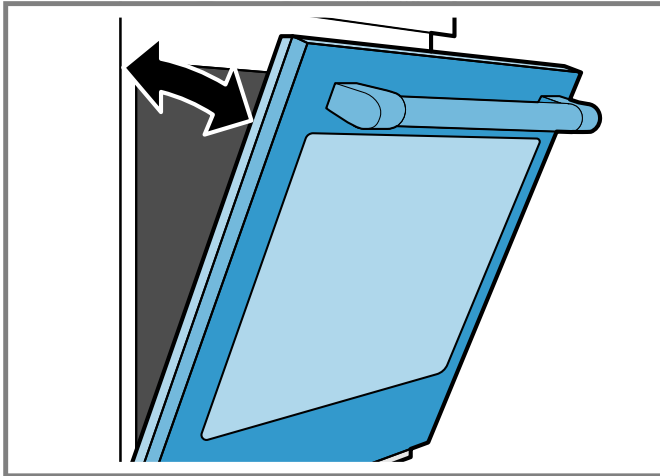


En caso necesario, utilizar una herramienta, como un desarmador, para separar con cuidado la parte superior de la palanca fuera de la carcasa. Tener cuidado de evitar rayar la carcasa.

3. Poner ambas bisagras móviles de la puerta en su posición más baja posible. Las bisagras izquierda y derecha de la puerta difieren ligeramente, pero funcionan de la misma forma.

4. **⚠ PRECAUCIÓN** Seguir las instrucciones siguientes para evitar que el pestillo se cierre de repente; si esto ocurriese, existe el riesgo de pellizcarse o sufrir cortes en la mano.

Cerrar la puerta del horno hasta que se enganche en las palancas de tope de la bisagra, lo que bloquea las bisagras en el ángulo adecuado para extraer la puerta.

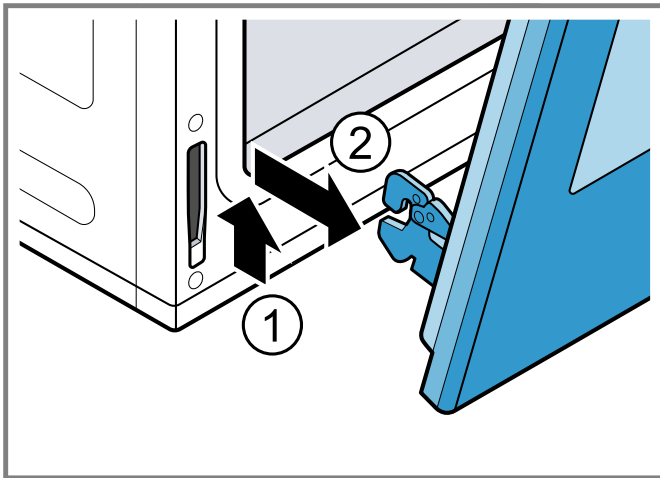


- ✓ La puerta quedará abierta unas 7 pulgadas (18 cm) en la parte superior.

5. **⚠ PRECAUCIÓN** La puerta pesa mucho.

- ▶ No sujetar la puerta por el asa.
- ▶ Usar ambas manos para sujetarla con firmeza por ambos lados.

Mantener el ángulo de la puerta, elevar la puerta recta aprox. 3/4 pulgadas (2 cm) para sacar las bisagras de las ranuras y después jalarla hacia uno hasta que las bisagras hayan salido de la caja del horno.



6.1 Requisitos eléctricos

Es preciso asegurarse de que la instalación eléctrica sea compatible con los siguientes requisitos.

⚠ ADVERTENCIA

Una fuente de alimentación incorrecta de 240/208 VCA provocará un mal funcionamiento, dañará este aparato y posiblemente creará una condición de riesgo de descarga eléctrica.

Este aparato debe estar adecuadamente conectado a tierra.

6. Colocar la puerta en una ubicación adecuada y estable. No colocar la puerta recostada por el lado de su asa; esto podría provocar arañazos o abolladuras.

6 Conexión eléctrica

Leer las presentes instrucciones para conectar con seguridad el aparato al suministro eléctrico.

⚠ ADVERTENCIA

No usar un cable de extensión. Si el cable de suministro de alimentación es demasiado corto, se deberá solicitar a un electricista calificado que instale una toma de corriente cerca del aparato.

A fin de evitar descargas eléctricas, no se debe cortar ni extraer el conector de tierra del cable de la estufa bajo ninguna circunstancia.

- ▶ Debe estar conectado a un receptáculo adecuado de conexión a tierra y a un circuito de 240 V correctamente polarizado.
- ▶ Si se tienen dudas acerca de si el enchufe de la pared tiene una conexión a tierra adecuada, solicitar su comprobación a un electricista calificado.

- El electrodoméstico se puede conectar con un cable eléctrico o por medio de una conexión eléctrica flexible.
- Utilizar únicamente kits de cables de 250 voltios, 50 amperios (mínimo), y en los que se indique «For Use with Ranges» (para uso con estufas) en la etiqueta.
- Se recomienda que las posibles adiciones de cables de alimentación o de conexiones eléctricas al aparato sean llevadas a cabo únicamente por personas calificadas.

Nota: En Canadá, el electrodoméstico se entrega de fábrica con su cable ya instalado. Continuar instalando el electrodoméstico en los gabinetes.

Antes de realizar la instalación, desconectar la alimentación eléctrica en el panel de servicio.

- ▶ Bloquear el panel de servicio para impedir que se conecte accidentalmente la alimentación eléctrica.
- Antes de reparar el aparato, desconectar siempre el cable de suministro eléctrico del aparato, si lo tiene, del receptáculo de la pared. Si el aparato está conectado directamente a la fuente de alimentación, desconectar la alimentación eléctrica del aparato apagando el

breaker adecuado. Bloquear el panel de servicio para impedir que se conecte accidentalmente la alimentación eléctrica.

- Se debe proporcionar un cable neutro desde la fuente de alimentación (breaker) porque los componentes críticos de la estufa lo requieren para operar de manera segura y adecuada.
- Montar el receptáculo de forma segura en una pared de entramado y luego sellar los alrededores de la carcasa del receptáculo.
- Si no se proporciona el circuito de alimentación eléctrica correcto, es responsabilidad y obligación del instalador y del usuario tener conectada una fuente de alimentación adecuada. Esto debe realizarse de acuerdo con todas las normas y ordenanzas locales aplicables por un electricista calificado. Es responsabilidad del instalador garantizar el cumplimiento con las normas locales. En ausencia de normas y ordenanzas locales, la conexión de la fuente de alimentación deberá estar de acuerdo con el Código Nacional Eléctrico.
- Respetar todas las normas y ordenanzas vigentes a la hora de realizar la conexión a tierra. En ausencia de estas normas u ordenanzas, respetar la edición actual del Código Nacional Eléctrico ANSI/ NFPA 70. Consultar la siguiente información en esta sección para conocer el método de conexión a tierra.

- Los esquemas y diagramas de cableado eléctrico se han colocado en el área del panel del zócalo de la estufa para que un técnico de servicio calificado tenga acceso a dicha información. → *Página 43*
- Las estufas deben conectarse a una fuente de alimentación de 240/208 VCA.
- La estufa debe conectarse a la fuente de alimentación utilizando uno de los siguientes métodos. Para todos los métodos de conexión, la longitud del cable o conducto/cableado debe permitir que el aparato se deslice completamente fuera del gabinete sin tener que desenchufar o desconectar el aparato de la fuente de alimentación.
- La longitud libre mínima recomendada del cable o conducto es de 4 pies (1.2 m). Las instalaciones eléctricas y la conexión a tierra deben cumplir con todas las normas y ordenanzas locales o con el Código Nacional Eléctrico, según corresponda.
- Al usar un receptáculo podría ser necesario colocar la carcasa del receptáculo en la pared trasera. Consultar el código eléctrico local para determinar el volumen mínimo de todas las cajas eléctricas / de conexiones. Respetar todas las normas y ordenanzas eléctricas locales o el Código Nacional Eléctrico (si existe).

Circuito específico requerido

Modelos	Tensión	EE. UU.	Canadá	Frecuencia	Fase
Todos	240/208	50 A	50 A	60 Hz	Única

6.2 Preparación para la conexión a la alimentación

⚠ ADVERTENCIA

Riesgo de incendio o descarga eléctrica. Se prohíbe realizar conexiones a tierra a través del conductor neutro en instalaciones nuevas de circuitos de derivación (1996 NEC), casas rodantes y vehículos recreativos, y también en áreas cuyas normativas locales prohíban poner a tierra a través del conductor neutro.

Cuando se prohíba la conexión a tierra a través del conductor neutro:

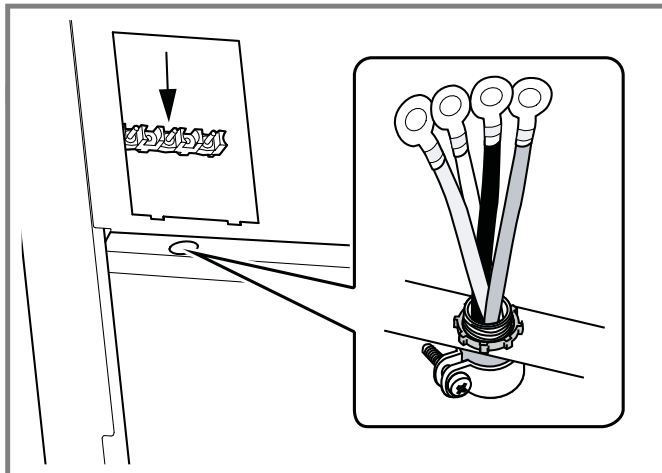
- Desconectar el enlace del conductor neutro.
- Utilice una terminal de conexión a tierra o un cable para poner la unidad a tierra.
- Conectar la terminal neutra al al cable neutro del circuito de derivación de la manera habitual. Si es preciso conectar el aparato por medio de un kit de cables, utilizar un cable de 4 conductores para este fin.

6.3 Instalación de una conexión de cuatro cables

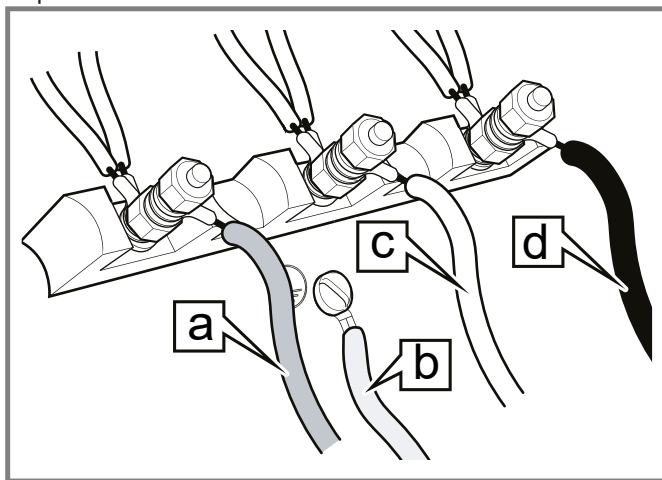
Requisitos

- Este aparato debe conectarse a la fuente de alimentación con un kit de cable de 3 POLOS, 4 CONDUCTORES certificado (UL, CSA, ...), clasificado para 250 VOLTIOS, CIRCUITO DEDICADO DE 50 AMPERIOS y marcado para uso con estufas.
 - Es responsabilidad del instalador proporcionar los componentes de cableado adecuados (cables, alambres, etc.) y completar la conexión eléctrica según lo dictan las normas y ordenanzas locales o el Código Nacional Eléctrico.
 - Se requiere que el kit de cables se conecte al bloque de terminales de la estufa con un prensacables que encaje en un orificio de 1" (25.4 mm) de diámetro.
 - Si aún no está equipado, el cable también debe tener terminales de bucle cerrado Faston de ¼" (6 mm) conectados a los extremos libres de los conductores individuales, preferiblemente soldados en el lugar.
1. Desconectar la energía eléctrica en la caja de breakers (centro de carga).
 2. Localizar el bloque de terminales en la parte trasera del aparato y retirar la tapa.
 3. Retirar solo las tuercas superiores de los bornes del bloque de terminales. NO quitar las tuercas inferiores que aseguran los cables del cableado interno de la estufa.
 4. Si procede, retirar el cable de alimentación de 4 hilos del aparato.

- Montar el prensacables en el orificio de 1" (25.4 mm) de diámetro en el panel posterior ubicado debajo del bloque de terminales. Dirigir los cables hacia arriba a través del prensacables.



- Retirar el tornillo verde de conexión a tierra y la arandela dentada ubicada debajo del bloque de terminales.
- Fijar el cable blanco neutro del circuito de suministro al borne central del bloque de terminales con una tuerca.
- Fijar los cables de alimentación L1 (rojo) y L2 (negro) a los bornes exteriores del bloque de terminales (color bronce) con tuercas.
- Fijar el cable de conexión a tierra de cobre desnudo al chasis de la estufa con el tornillo verde de conexión a tierra y la arandela dentada. Asegurarse de que el cable neutro y el cable de conexión a tierra no se toquen.



- | | |
|---|------------------------|
| a | Rojo / L1 |
| b | Verde / cable a tierra |
| c | Blanco / neutro |
| d | Negro / L2 |

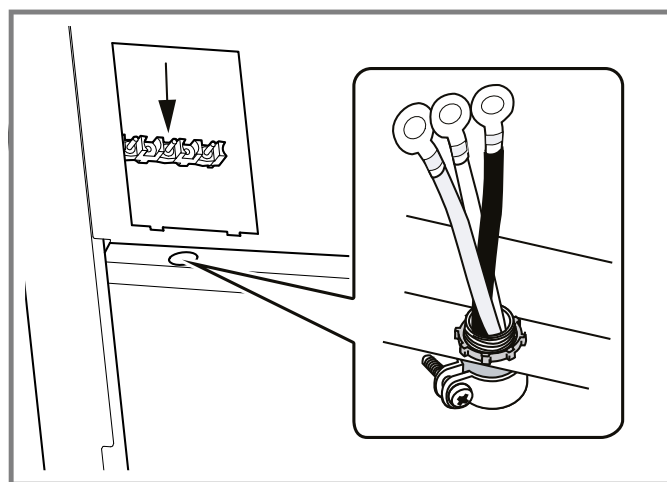
- Apretar con firmeza todas las conexiones y tuercas.
- Volver a colocar la tapa del bloque de terminales.

6.4 Instalación de una conexión de tres cables

Requisitos

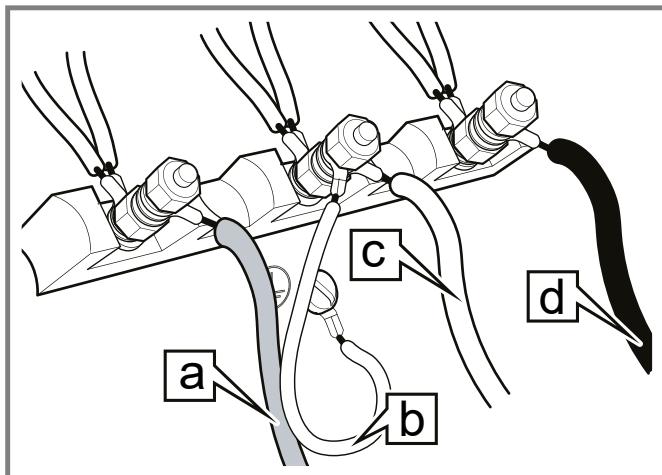
- Cuando las normas y ordenanzas locales permitan la conexión a tierra a través del neutro, y la conversión del suministro a 4 hilos no sea factible, el aparato se puede conectar a la fuente de alimentación con un kit de cable de 3 POLOS, 3 CONDUCTORES certificado (UL, CSA, ...), clasificado para 250 VOLTIOS, CIRCUITO DEDICADO DE 50 AMPERIOS y marcado para uso con estufas.
- Es responsabilidad del instalador proporcionar los componentes de cableado adecuados (cables, alambres, etc.) y completar la conexión eléctrica según lo dictan las normas y ordenanzas locales o el Código Nacional Eléctrico.
- Se requiere que el kit de cables se conecte al bloque de terminales de la estufa con un prensacables que encaje en un orificio de 1" (25.4 mm) de diámetro.
- Si aún no está equipado, el cable también debe tener terminales de bucle cerrado Faston de 1/4" (6 mm) conectados a los extremos libres de los conductores individuales, preferiblemente soldados en el lugar.

- Desconectar la energía eléctrica en la caja de breakers (centro de carga).
- Localizar la bolsa pequeña con el cable de puente blanco que se encuentra en el paquete de documentación.
- Localizar el bloque de terminales en la parte trasera del aparato y retirar la tapa.
- Retirar solo las tuercas superiores de los bornes del bloque de terminales. NO quitar las tuercas inferiores que aseguran los cables del cableado interno de la estufa.
- Si procede, retirar el cable de alimentación de 4 hilos del aparato.
- Montar el prensacables en el orificio de 1" (25.4 mm) de diámetro en el panel posterior ubicado debajo del bloque de terminales. Dirigir los cables hacia arriba a través del prensacables.



- Fijar el cable neutro conectado a tierra del circuito de suministro eléctrico al borne central (de color plateado) del bloque de terminales.
- Fijar los cables de alimentación L1 (rojo) y L2 (negro) a los bornes exteriores del bloque de terminales (color bronce) con tuercas.

9. Retirar el tornillo verde de conexión a tierra y la arandela dentada ubicada debajo del bloque de terminales. Atornillar un extremo del cable de puente blanco incluido al chasis debajo del bloque de terminales con el tornillo verde de conexión a tierra. Fijar el otro extremo del cable al borne central del bloque de terminales con una tuerca.

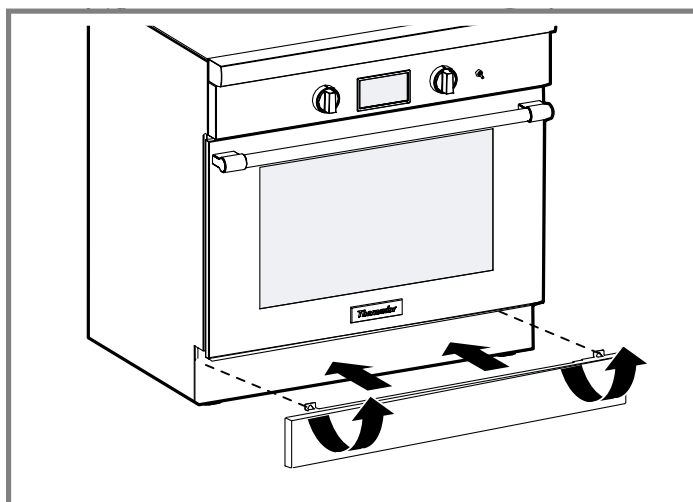


a	Rojo / L1
b	Cable de conexión a tierra suministrado en una bolsa pequeña
c	Blanco / neutro
d	Negro / L2

10. Apretar con firmeza todas las conexiones y tuercas.
11. Volver a colocar la tapa del bloque de terminales.

6.5 Diagramas y esquemas de cableado eléctrico

Los diagramas y los esquemas de cableado eléctrico se encuentran detrás del panel del zócalo y no deben retirarse; solo puede retirarlos un técnico de servicio, que debe devolverlos a su lugar después del servicio.



7 Procedimiento de instalación

7.1 Ajustar las patas de nivelación

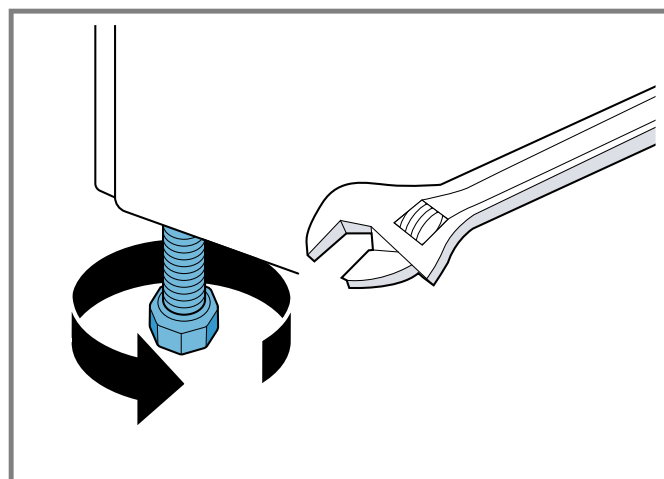
La estufa debe estar nivelada para obtener un rendimiento adecuado. Se debe dar prioridad a garantizar que la cavidad del horno también esté nivelada para un rendimiento de cocción óptimo.

AVISO:

Los bordes superiores de los paneles laterales de la estufa deben estar al mismo nivel o más altos que la cubierta adyacente.

- ▶ NO poner en funcionamiento la estufa si los lados están más bajos que el gabinete adyacente. Si la estufa se pone en funcionamiento mientras está a una altura más baja con respecto al gabinete adyacente, el gabinete podría estar expuesto a temperaturas excesivas, y esto provocaría daños en el gabinete y la cubierta.

1. Alinear la estufa con la apertura.
2. Medir primero la altura hasta la cubierta con una cinta métrica y añadir 1/16" - 1/8" (2-3 mm) adicionales.
3. Girar las patas con una llave ajustable de 12" (305 mm) en los lados planos de cada pata.



4. Las patas niveladoras deben ajustarse de modo que los lados de la estufa estén al mismo nivel o más altos que el gabinete adyacente. Ajustar las patas según corresponda antes de empujar la estufa hasta su ubicación final.

Puede ser necesario cambiar la posición del cable eléctrico a medida que la cocina se empuja hacia atrás hasta su posición final. Esto se puede lograr tirando con cuidado de una cuerda o cordel enrollado alrededor del cable de suministro eléctrico a medida que se empuja la estufa hacia la posición final de instalación.

5. A medida que la estufa se mueve a su posición instalada final, verificar que el soporte antivuelco esté en posición para enganchar la estufa.

7.2 Colocar la estufa



PRECAUCIÓN

La unidad es pesada y se requieren al menos dos personas o un equipo adecuado para trasladarla.

Se recomienda llevar ropa protectora durante el proceso de elevación.

- ▶ Se recomienda llevar guantes y ropa de manga larga para proteger las manos y los antebrazos contra la abrasión y posibles arañazos.
- ▶ Es preferible no llevar relojes ni joyas.
- ▶ Se aconseja llevar zapatos de trabajo para proteger los pies.

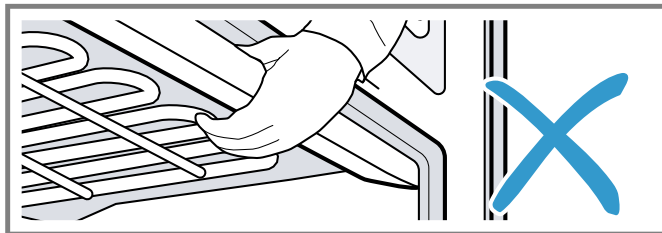
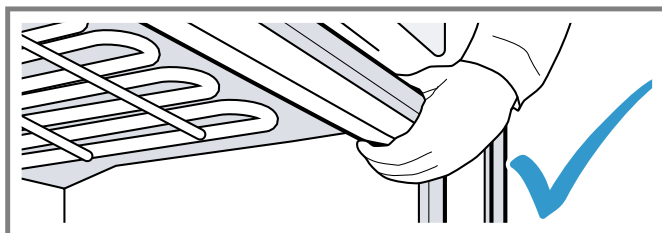
AVISO:

Para evitar riesgo de daños en la puerta del horno del electrodoméstico, no levantar, jalar ni empujar el electrodoméstico tomándolo de la manija de la puerta.

Requisito: Debe haberse extraído la puerta del horno.

1. **⚠ PRECAUCIÓN** NO intentar levantar la unidad sosteniendo el elemento calefactor superior del horno.

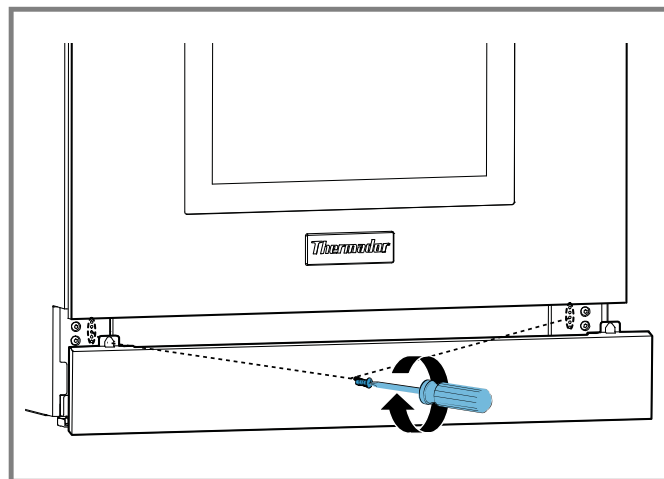
Sacar el electrodoméstico de la base de embalaje. Buscar en la parte superior de la cavidad del horno para localizar un área estriada cerca de la parte delantera del horno.



2. Asegurarse de que el breaker del circuito esté apagado y luego enchufar el cable del electrodoméstico en la toma de corriente eléctrica.
3. Humedecer la cubierta y el piso en la parte inferior de la abertura con agua jabonosa.
4. Deslizar el electrodoméstico hacia la apertura. Tener cuidado de no dañar las cubiertas, los pisos o el frente del cajón calentaplatos. No hacer presión sobre la cubierta al deslizar el electrodoméstico hacia su lugar. Tener cuidado de no torcer el conector eléctrico flexible.
5. Instalar la puerta del horno. → *Página 44*
6. Comprobar que la instalación esté correcta.
 - La placa de cocción debería descansar ligeramente sobre la cubierta.
 - No debe haber ningún hueco entre la cubierta y la placa de cocción; sin embargo, el peso del electrodoméstico no debe descansar sobre la cubierta.
 - Mirar debajo del electrodoméstico para verificar que ambas patas traseras están apoyadas sólidamente en el suelo.
 - Comprobar también que la pata izquierda del electrodoméstico esté retenida por la placa de fijación antivuelco.

7.3 Ajustar el panel del zócalo

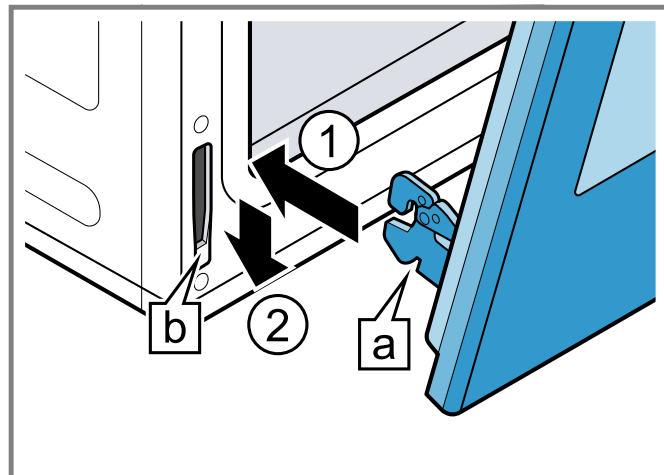
1. Retirar los tornillos del panel del zócalo usando un desarmador de estrella T-20.
2. Volver a colocar el panel del zócalo en una de las cinco posiciones de orificios para tornillos. Volver a montar el tornillo de estrella.



3. Repetir con los tornillos restantes del panel del zócalo, asegurándose de que el panel del zócalo esté nivelado. El panel del zócalo debe mantener un espacio libre mínimo de 1/2" (12.7 mm) sobre el piso.

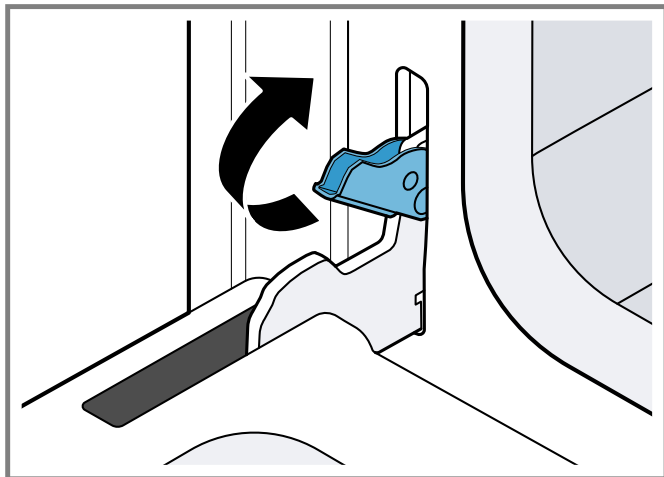
7.4 Reinstalación de la puerta del horno

1. Sujetar la puerta firmemente con ambas manos. Agarrarla por cada lado, no por el asa.
2. Inclinar ligeramente la puerta hacia sí mismo en un ángulo tal que la puerta se abra unos 18 cm (7") por la parte superior.
3. Deslizar las bisagras **a** en las ranuras **b** hasta el fondo **1** y después bajar la puerta hacia abajo, en dirección recta **2**.



Puede ser necesario ajustar el ángulo de la puerta ligeramente para permitir que las bisagras encajen adecuadamente y la puerta baje hasta su lugar. La puerta debe bajar aproximadamente 2 cm (3/4") y detenerse; de no ser así, las bisagras no se han enganchado correctamente y la puerta podría caerse al soltarla.

- Una vez que ambas bisagras estén totalmente encajadas, abrir con cuidado la puerta hasta que esté completamente abierta.
- Presionar las palancas de ambas bisagras hacia arriba y adelante hasta que queden bloqueadas en la ranura y alineadas con el frente del cuerpo del horno.



- Cerrar y abrir la puerta lentamente para asegurarse de que esté bien colocada y de forma segura.

8 Comprobación del funcionamiento

Una vez completados los pasos de instalación, comprobar si la unidad funciona correctamente.

- Encender la energía eléctrica en el breaker.
- Para comprobar el funcionamiento del horno, seleccionar el modo **BAKE**. Véase el manual de usuario para consultar las instrucciones de funcionamiento detalladas.
- Comprobar que se enciende la luz del horno y que el horno comienza a precalentar.
- Para comprobar el funcionamiento del cierre de la puerta, seleccionar el modo **SELF CLEAN**. Confirmar que la puerta se bloquea cuando aparece el símbolo de bloqueo en el display.

9 Servicio de atención al cliente

En cada reparación cubierta por la garantía, nos aseguramos de que su aparato sea reparado con repuestos originales por un proveedor de servicio capacitado y autorizado. Solo utilizamos repuestos originales para todos los tipos de reparaciones. Las informaciones detalladas sobre el periodo de validez de la garantía y las condiciones de garantía las podrá encontrar en nuestras condiciones de garantía, con su distribuido o en nuestra página web. Cuando se ponga en contacto con el servicio de atención al cliente, no olvide indicar el número de modelo (E-Nr.) y el número de fabricación (FD) de su aparato.

USA:

1-800-735-4328

www.thermador.com/support

www.thermador.com/us/accessories

CA:

1-800-735-4328

www.thermador.ca

www.thermador.ca/en/support/filters-cleaners-accessories

Aquí podrá encontrar ayuda para la conexión con Home Connect™:
www.home-connect.com/us/en/help-support/set-up

9.1 Número de modelo (E-Nr.) y número de fabricación (FD)

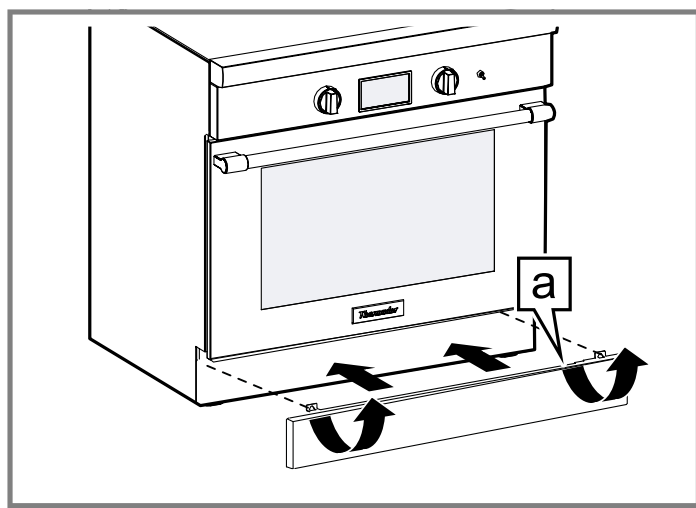
El número de modelo (E-Nr.) y el número de fabricación (FD) se encuentran en la placa de características del aparato.

Para volver a encontrar rápidamente los datos del aparato o el número de teléfono del servicio de atención al cliente, puede anotar dichos datos.

9.2 Ubicación de la placa de características del aparato

La placa de características del aparato se encuentra:

- En la parte trasera del panel del zócalo. Extraer el panel del zócalo para verla.



a Placa de características



1901 MAIN STREET, SUITE 600 IRVINE, CA 92614 USA // 1-800-735-4328 // WWW.THERMADOR.COM
© 2022 BSH HOME APPLIANCES CORPORATION
8001251996 // en-us, fr-ca, es-mx // 020630