



BOSCH

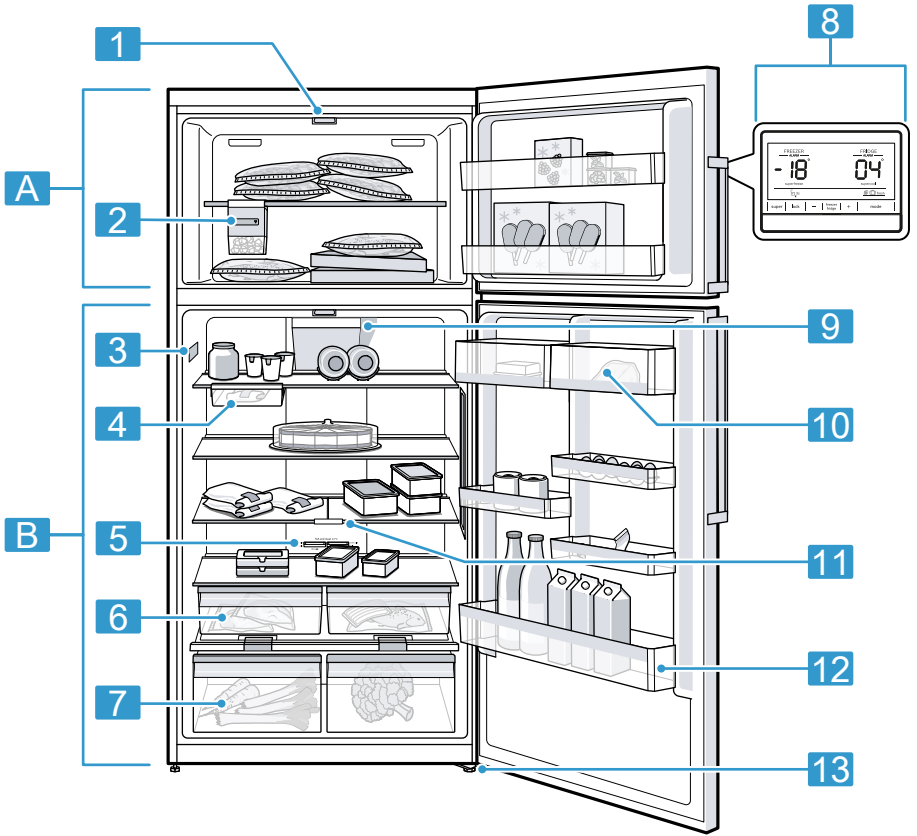


Register your
new device on
MyBosch now and
get free benefits:
[bosch-home.com/
welcome](https://bosch-home.com/welcome)

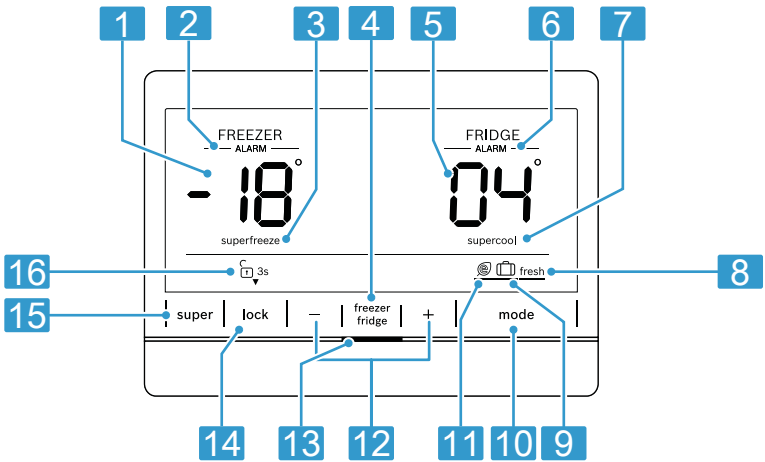
Fridge-freezer

KDN86..

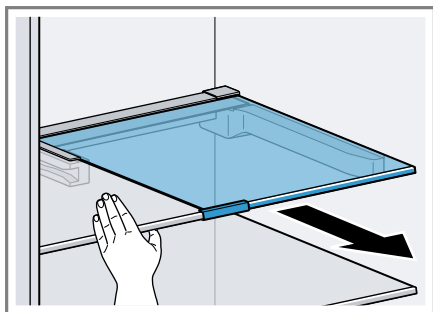
[en]	Information for Use	Fridge-freezer	7
[ar]	دليل المستخدم	تلاجة التبريد والتجميد	34



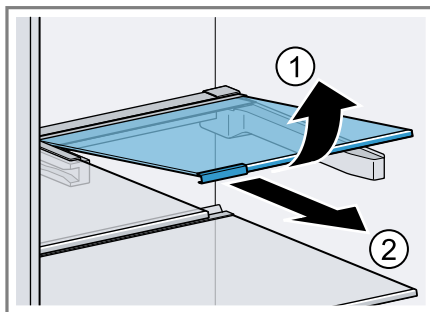
1



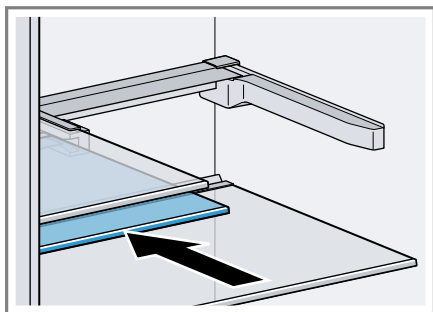
2



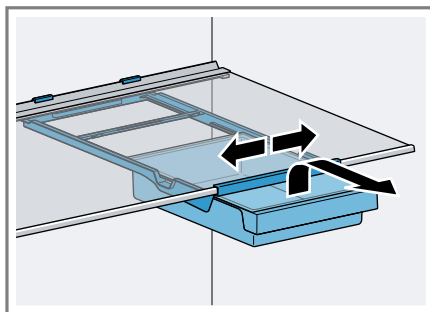
3



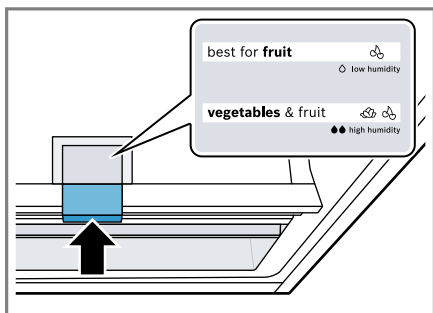
4



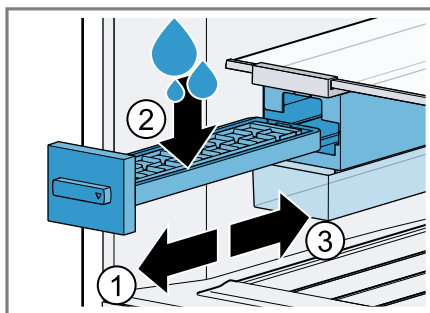
5



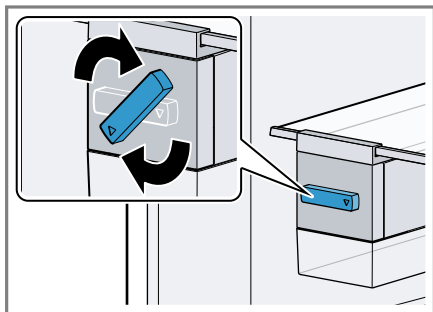
6



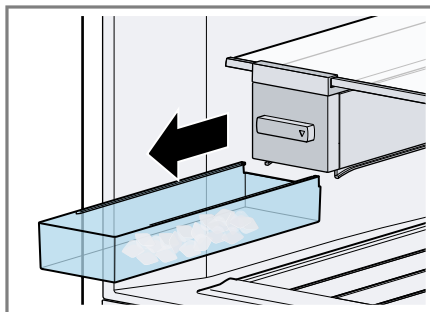
7



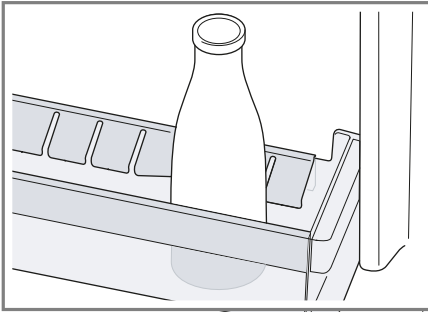
8



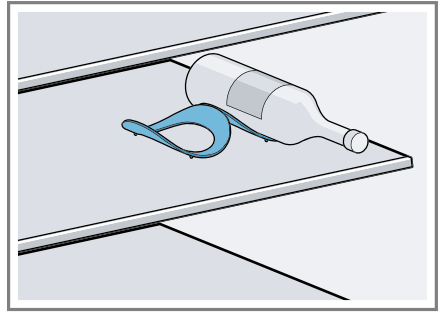
9



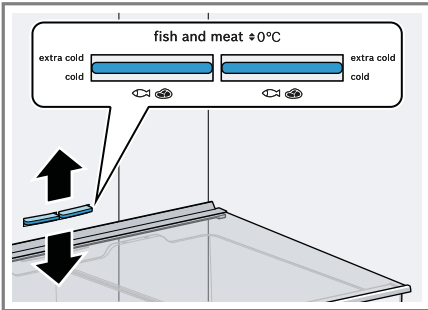
10



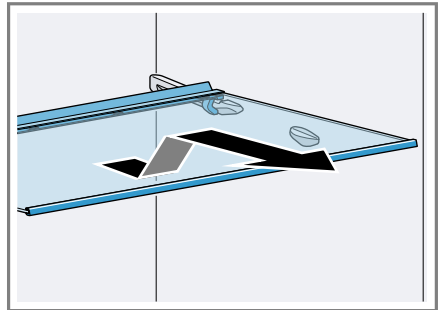
11



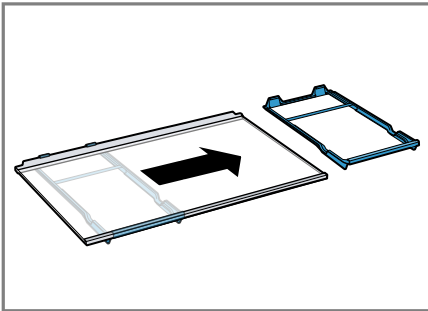
12



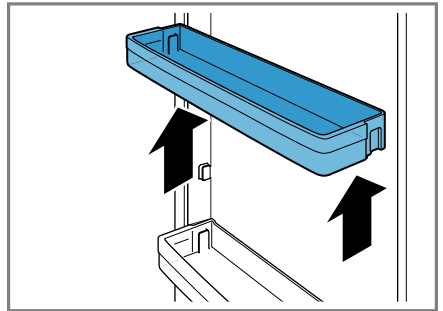
13



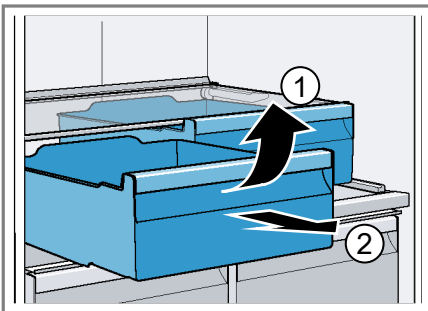
14



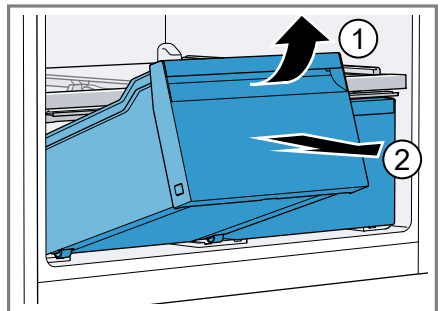
15



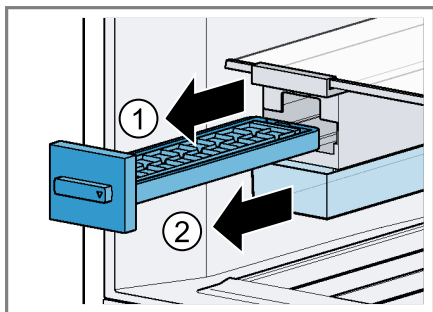
16



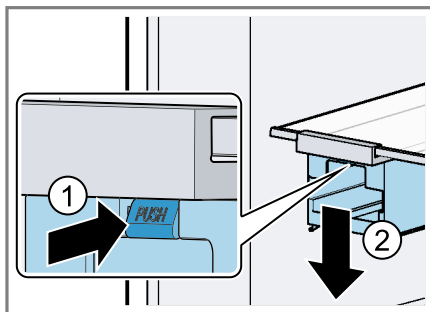
17



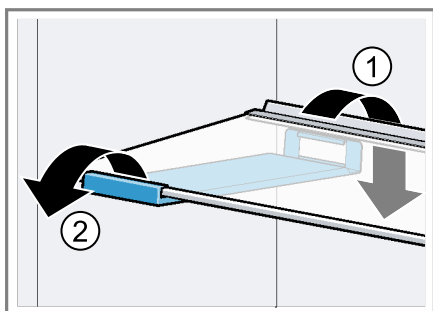
18



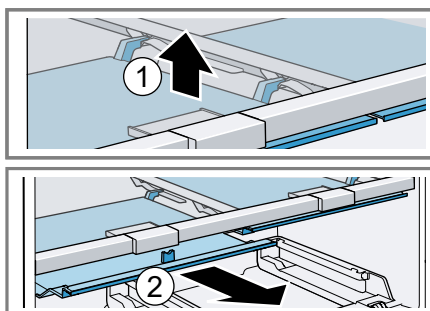
19



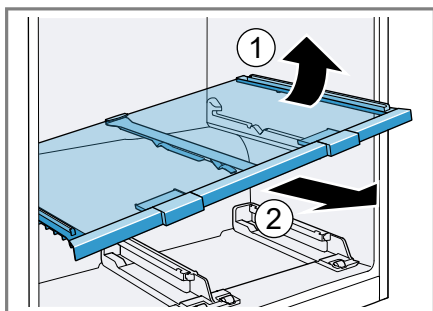
20



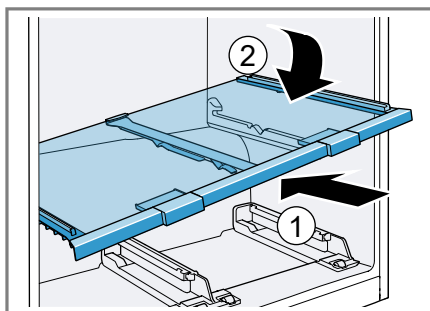
21



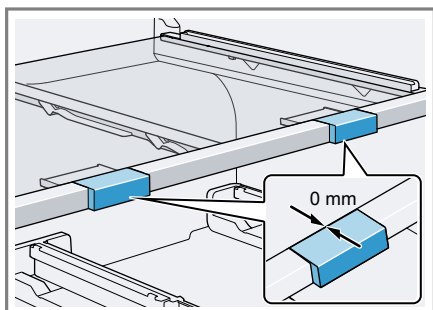
22



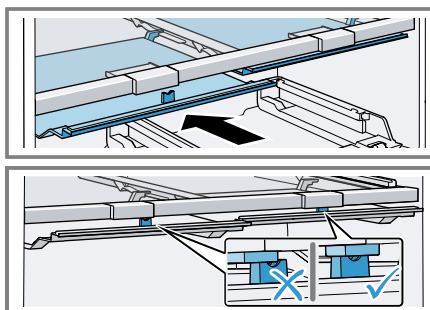
23



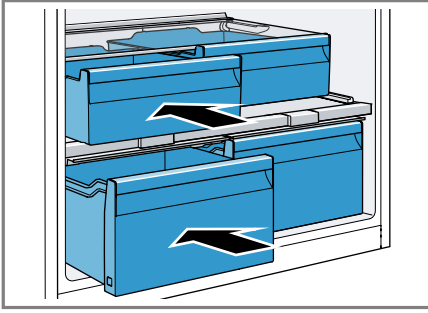
24



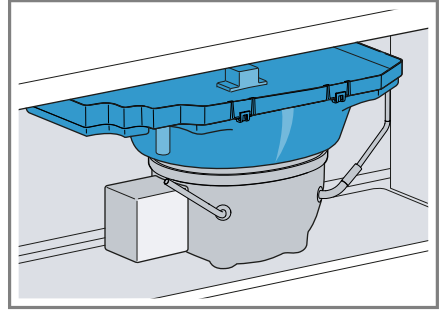
25



26



27



28

Further information and explanations are available online:



Table of contents

1 Safety	9	6.6 Butter and cheese compartment	19
1.1 General information.....	9	6.7 Door rack	19
1.2 Intended use.....	9	6.8 Ice cube maker	19
1.3 Restriction on user group.....	9	6.9 Accessories	20
1.4 Safe transport.....	9	7 Basic operation	20
1.5 Safe installation	10	7.1 Switching on the appliance.....	20
1.6 Safe use	11	7.2 Operating tips.....	20
1.7 Damaged appliance.....	13	7.3 Switching off the appliance.....	21
2 Preventing material damage	15	7.4 Setting the temperature.....	21
3 Environmental protection and saving energy.....	15	7.5 Button lock (childproof lock)....	21
3.1 Disposing of packaging	15	8 Additional functions	21
3.2 Saving energy.....	15	8.1 Super cooling	21
4 Installation and connection	16	8.2 Super freezing	22
4.1 Scope of delivery.....	16	8.3 Holiday mode	22
4.2 Criteria for the installation location.....	16	8.4 Energy-saving mode.....	22
4.3 Installing the appliance	16	8.5 Freshness mode	22
4.4 Preparing the appliance for the first time.....	17	9 Alarm.....	23
4.5 Connecting the appliance to the electricity supply.....	17	9.1 Door alarm	23
5 Familiarising yourself with your appliance.....	17	9.2 Temperature alarm.....	23
5.1 Appliance	17	10 Refrigerator compartment	23
5.2 Control panel.....	17	10.1 Tips for storing food in the refrigerator compartment	24
6 Features	18	10.2 Chill zones in the refrigerator compartment.....	24
6.1 Shelf.....	18	11 Freezer compartment.....	24
6.2 Variable shelf.....	18	11.1 Freezing capacity	24
6.3 Snack container	18	11.2 Fully utilising the freezer compartment volume	24
6.4 Storage container.....	19	11.3 Tips for storing food in the freezer compartment.....	25
6.5 Fruit and vegetable container with humidity control	19	11.4 Tips for freezing fresh food	25

11.5 Shelf life of frozen food at -18 °C.....	25
11.6 Defrosting methods for frozen food	25
12 Defrosting.....	26
12.1 Defrosting in the refriger- ator compartment.....	26
12.2 Defrosting in the freezer compartment	26
13 Cleaning and servicing	26
13.1 Preparing the appliance for cleaning	26
13.2 Cleaning the appliance	26
13.3 Removing the fittings.....	27
13.4 Removing appliance com- ponents.....	27
14 Troubleshooting.....	29
14.1 Power failure.....	32
14.2 Conducting an appliance self-test	32
15 Storage and disposal	32
15.1 Taking the appliance out of operation	32
15.2 Disposing of old appliance	33
16 Customer Service.....	33
16.1 Product number (E-Nr.) and production number (FD).....	33
17 Technical data	33



1 Safety

Observe the following safety instructions.

1.1 General information

- Read this instruction manual carefully.
- Keep the instruction manual and the product information safe for future reference or for the next owner.
- Do not connect the appliance if it has been damaged in transit.

1.2 Intended use

Only use this appliance:

- for chilling and freezing food and for making ice cubes.
- In private households and in enclosed spaces in a domestic environment.
- Up to an altitude of 2000 m above sea level.

1.3 Restriction on user group

This appliance may be used by children aged 8 or over and by people who have reduced physical, sensory or mental abilities or inadequate experience and/or knowledge, provided that they are supervised or have been instructed on how to use the appliance safely and have understood the resulting dangers.

Do not let children play with the appliance.

Cleaning and user maintenance must not be performed by children unless they are being supervised.

1.4 Safe transport

WARNING – Risk of injury!

The high weight of the appliance may result in injury when lifted.

- ▶ Do not lift the appliance on your own.

1.5 Safe installation

⚠ WARNING – Risk of electric shock!

Incorrect installation is dangerous.

- ▶ Connect and operate the appliance only in accordance with the specifications on the rating plate.
- ▶ Connect the appliance to a power supply with alternating current only via a properly installed socket with earthing.
- ▶ The protective conductor system of the domestic electrical installation must be properly installed.
- ▶ Never equip the appliance with an external switching device, e.g. a timer or remote control.
- ▶ When the appliance is installed, the mains plug of the power cord must be freely accessible. If free access is not possible, an all-pole isolating switch must be installed in the permanent electrical installation according to the installation regulations.
- ▶ When installing the appliance, check that the power cable is not trapped or damaged.

If the insulation of the power cord is damaged, this is dangerous.

- ▶ Never let the power cord come into contact with heat sources.

⚠ WARNING – Risk of explosion!

If the appliance's ventilation openings are sealed, a leak in the refrigeration circuit may result in a flammable mixture of gas and air.

- ▶ Keep ventilation openings, in the appliance enclosure or in the built-in structure, clear of obstruction.

⚠ WARNING – Risk of fire!

It is dangerous to use an extended power cord and non-approved adapters.

- ▶ Do not use extension cables or multiple socket strips.
- ▶ Only use adapters and power cords approved by the manufacturer.
- ▶ If the power cord is too short and a longer one is not available, please contact an electrician to have the domestic installation adapted.

Portable multiple socket strips or portable power supply units may overheat and cause a fire.

- ▶ Do not place portable multiple socket strips or power supply units on the back of the appliance.

1.6 Safe use

WARNING – Risk of electric shock!

An ingress of moisture can cause an electric shock.

- ▶ Only use the appliance in enclosed spaces.
- ▶ Never expose the appliance to intense heat or humidity.
- ▶ Do not use steam- or high-pressure cleaners to clean the appliance.

WARNING – Risk of suffocation!

Children may put packaging material over their heads or wrap themselves up in it and suffocate.

- ▶ Keep packaging material away from children.
 - ▶ Do not let children play with packaging material.
- Children may breathe in or swallow small parts, causing them to suffocate.
- ▶ Keep small parts away from children.
 - ▶ Do not let children play with small parts.

WARNING – Risk of explosion!

If the cooling circuit is damaged, flammable refrigerant may escape and explode.

- ▶ To accelerate the defrosting process, do not use any other mechanical devices or means other than those recommended by the manufacturer.
- ▶ If food is stuck to the freezer compartment, loosen it with a blunt implement such as the handle of a wooden spoon.

Products which contain flammable propellants and explosive substances may explode, e.g. spray cans.

- ▶ Do not store products which contain flammable propellants (e.g. spray cans) or explosive substances in the appliance.

⚠ WARNING – Risk of fire!

Electrical devices within the appliance may cause a fire, e.g. heaters or electric ice makers.

- ▶ Do not operate electrical devices within the appliance.

⚠ WARNING – Risk of injury!

Containers that contain carbonated drinks may burst.

- ▶ Do not store containers that contain carbonated drinks in the freezer compartment.

Injury to the eyes caused by escaping flammable refrigerant and hazardous gases.

- ▶ Do not damage the tubes of the refrigerant circuit or the insulation.

The appliance may tip.

- ▶ Do not stand or support yourself on the base, runners or doors.

⚠ WARNING – Risk of burns!

Individual parts on the back of the appliance become hot during operation.

- ▶ Never touch these hot parts.

⚠ WARNING – Risk of cold burns!

Contact with frozen food and cold surfaces may cause burns by refrigeration.

- ▶ Never put frozen food straight from the freezer compartment into your mouth.
- ▶ Avoid prolonged contact of the skin with frozen food, ice and surfaces in the freezer compartment.

⚠ CAUTION – Risk of harm to health!

To prevent food from being contaminated, you must observe the following instructions.

- ▶ If the door is open for an extended period of time, this may lead to a considerable temperature increase in the compartments of the appliance.
- ▶ Regularly clean the surfaces that may come into contact with food and accessible drain systems.

- ▶ Store raw meat and fish in suitable containers in the refrigerator so that they do not touch or drip on other food.
- ▶ If the fridge/freezer is empty for an extended period of time, switch off the appliance, defrost it, clean it and leave the door open to prevent the formation of mould.

Metal or metal-style parts in the appliance may contain aluminium. If acidic food comes into contact with aluminium in the appliance, aluminium foil ions may pass into the food.

- ▶ Do not consume soiled food.

1.7 Damaged appliance

WARNING – Risk of electric shock!

If the appliance or the power cord is damaged, this is dangerous.

- ▶ Never operate a damaged appliance.
- ▶ Never pull on the power cord to unplug the appliance. Always unplug the appliance at the mains.
- ▶ If the appliance or the power cord is damaged, immediately unplug the power cord or switch off the fuse in the fuse box.
- ▶ Call customer services. → *Page 33*

Incorrect repairs are dangerous.

- ▶ Repairs to the appliance should only be carried out by trained specialist staff.
- ▶ Only use genuine spare parts when repairing the appliance.
- ▶ If the power cord of this appliance is damaged, it must be replaced by the manufacturer, the manufacturer's Customer Service or a similarly qualified person in order to prevent any risk.

WARNING – Risk of fire!



If the tubes are damaged, flammable refrigerant and harmful gases may escape and ignite.

- ▶ Keep naked flames and ignition sources away from the appliance.
- ▶ Ventilate the room.
- ▶ Switch off the appliance. → *Page 21*

en Safety

- ▶ Unplug the appliance from the mains or switch off the circuit breaker in the fuse box.
- ▶ Call after-sales service. → *Page 33*

2 Preventing material damage

ATTENTION!

If not rolling freely, the appliance's castors may damage the floor when the appliance is moved.

- ▶ Transport the appliance using a sack truck.
- ▶ Use floor protection when moving the appliance, and do not move it in a zigzag fashion.

Using the base, runners or appliance doors as a seat surface or climbing surface may damage the appliance.

- ▶ Do not stand or support yourself on the base, runners or doors.

Contamination with oil or fat may cause plastic parts and door seals to become porous.

- ▶ Keep plastic parts and door seals free of oil and grease.

Metal or metal-style parts in the appliance may contain aluminium. Aluminium reacts when it comes into contact with acidic foods.

- ▶ Do not store unpackaged food in the appliance.

3 Environmental protection and saving energy

3.1 Disposing of packaging

The packaging materials are environmentally compatible and can be recycled.

- ▶ Sort the individual components by type and dispose of them separately.

3.2 Saving energy

If you follow these instructions, your appliance will use less power.

Selecting the installation location

- Keep the appliance out of direct sunlight.
- Install the appliance as far away as possible from heating elements, cookers and other heat sources:
 - Maintain a 30 mm clearance to electric or gas cookers.
 - Maintain a 300 mm clearance to oil or solid-fuel cookers.
- Make sure there is a distance of 50 mm between the side wall and the appliance.
- Never cover or block the external ventilation openings.

Saving energy during use

Note: The arrangement of the fittings does not affect the energy consumption of the appliance.

- Open the appliance only briefly and then close it carefully.
- Never cover or block the interior ventilation openings or the exterior ventilation openings.
- Transport purchased food in a cool bag and place in the appliance quickly.
- Allow warm food and drinks to cool down before storing them.
- Thaw frozen food in the refrigerator compartment to utilise the low temperature of the food.
- Always leave some space between the food and to the back panel.

Standby mode

If the appliance is not being used, the display automatically switches to standby mode.

In standby mode, the brightness of the control panel is reduced and the status display lights up white.

4 Installation and connection

4.1 Scope of delivery

After unpacking all parts, check for any transport damage and for completeness of delivery.

If you have any complaints, contact your dealer or our after-sales service → Page 33.

The delivery consists of the following:

- Free-standing appliance
- Equipment and accessories¹
- Installation material
- Installation instructions
- User manual
- Customer service directory
- Warranty enclosure²
- Energy label
- Information on energy consumption and noises

4.2 Criteria for the installation location

WARNING **Risk of explosion!**

If the appliance is in a space that is too small, a leak in the refrigeration circuit may result in a flammable mixture of gas and air.

- ▶ Only install the appliance in a space with a volume of at least 1 m³ per 8 g refrigerant. The volume of refrigerant is indicated on the rating plate. → Fig. 1/3

The weight of the appliance ex works may be up to 110 kg depending on the model.

The subfloor must be sufficiently stable to bear the weight of the appliance.

Permitted room temperature

The permitted room temperature depends on the appliance's climate class.

The climate class can be found on the rating plate. → Fig. 1/3

Climate class	Permitted room temperature
SN	10 °C to 32 °C
N	16 °C to 32 °C
ST	16 °C to 38 °C
T	16 °C to 43 °C

The appliance is fully functional within the permitted room temperature.

If an appliance with climate class SN is operated at colder room temperatures, the appliance will not be damaged up to a room temperature of 5 °C.

Over-and-under and side-by-side installation

If you want to install 2 refrigerating appliances one over the other or side by side, you must maintain a clearance of at least 150 mm between the appliances. Selected appliances can be installed without a minimum clearance. Ask your dealer or kitchen planner about this.

4.3 Installing the appliance

- ▶ Install the appliance in accordance with the enclosed installation instructions.

¹ Depending on the appliance specifications

² Not in all countries

4.4 Preparing the appliance for the first time

1. Remove the informative material.
2. Remove the protective foil and transit bolts, e.g. remove the adhesive strips and carton.
3. Clean the appliance for the first time. → *Page 26*

4.5 Connecting the appliance to the electricity supply

1. Insert the mains plug of the appliance's power cable in a socket nearby.
The connection data of the appliance can be found on the rating plate. → *Fig. 1/3*
2. Check the mains plug is inserted properly.
✓ The appliance is now ready for use.

5 Familiarising yourself with your appliance

5.1 Appliance

You can find an overview of the parts of your appliance here.
→ *Fig. 1*

- | | |
|----------|--|
| A | Freezer compartment
→ <i>Page 24</i> |
| B | Refrigerator compartment
→ <i>Page 23</i> |
| 1 | Lighting |
| 2 | Ice cube maker → <i>Page 19</i> |
| 3 | Rating plate → <i>Page 33</i> |
| 4 | Snack container → <i>Page 18</i> |




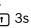
- | | |
|-----------|---|
| 5 | Temperature controller (storage container) → <i>Page 21</i> |
| 6 | Storage container
→ <i>Page 19</i> |
| 7 | Fruit and vegetable container with humidity control
→ <i>Page 19</i> |
| 8 | Control panel → <i>Page 17</i> |
| 9 | Interior ventilation opening (refrigerator compartment) |
| 10 | Butter and cheese compartment → <i>Page 19</i> |
| 11 | Variable shelf → <i>Page 18</i> |
| 12 | Door storage compartment for large bottles → <i>Page 19</i> |
| 13 | Screw foot |

Note: Deviations between your appliance and the diagrams may differ with regard to their features and size.

5.2 Control panel

You can use the control panel to configure all functions of your appliance and to obtain information about the operating status.
→ *Fig. 2*

- | | |
|----------|---|
| 1 | Displays the set temperature for the freezer compartment in °C. |
| 2 | ALARM lights up when the temperature alarm is switched on. |
| 3 | superfreeze lights up when Super freezing is switched on. |
| 4 | <small>freezer fridge</small> is used to select a compartment in order to change the temperature or switch on certain additional functions. |
| 5 | Displays the set temperature for the refrigerator compartment in °C. |

6	ALARM lights up when the door alarm is switched on.
7	supercool lights up when Super cooling is switched on.
8	fresh lights up when the freshness mode is switched on.
9	 lights up when holiday mode is switched on.
10	mode is used to select a mode.
11	 lights up when the energy-saving mode is switched on.
12	+/- sets the temperature of the selected compartment.
13	The status indicator shows the operating status of the appliance.
14	lock switches the button lock for the control panel on or off.
15	super switches supercool and superfreeze on or off in the selected compartment.
16	 ^{3s} /  ^{3s} lights up if the button lock is switched on or off.

6 Features

The features of your appliance depend on the model.

6.1 Shelf

To vary the shelf as required, you can remove the shelf and re-insert it elsewhere.

→ "Removing the shelf", Page 27

6.2 Variable shelf

Use the variable shelf to store tall items, e.g. cans or bottles, on the shelf below.

Using the variable shelf

1. Hold the left-hand section of the variable shelf and pull out the right-hand section of the variable shelf until the clip is released.
→ Fig. **3**
2. Lift the front of the right-hand section of the variable shelf ① and remove it ②.
→ Fig. **4**
3. Slide the right-hand section of the variable shelf as far as it will go below the left-hand section of the variable shelf.
→ Fig. **5**

6.3 Snack container

Store packaged food or small snacks in the snack container.

You can remove the snack container. To do this, pull out and remove the snack container. You can move the holder for the snack container.

→ Fig. **6**

6.4 Storage container

The temperatures in the storage container are lower than in the refrigerator compartment. Temperatures below 0 °C may occur occasionally.

In order to reach temperatures close to 0 °C in the storage container, set the refrigerator compartment temperature to 2 °C. → *Page 21*

Use the lower temperatures in the storage container to store highly perishable food, e.g. fish, meat and sausages.

6.5 Fruit and vegetable container with humidity control

Store fresh fruit and vegetables loose in the fruit and vegetable container. Cover any chopped fruit and vegetables, or store in air-tight packaging. You can adjust the humidity in the fruit and vegetable container using the humidity controller and a special seal. This allows fresh fruit and vegetables to be stored for up to twice as long as with conventional storage.

→ *Fig. 7*

The air humidity in the fruit and vegetable container can be set according to the type and amount of food to be stored by pressing the humidity controller:

- Low humidity ◊ required when primarily storing fruit or mixed items, or if the appliance is very full.
- High humidity ●● required when primarily storing vegetables or when the appliance is not very full.

Condensation may form in the fruit and vegetable container depending on the food and quantity stored.

Remove the condensation with a dry cloth and adjust the air humidity to a lower setting using the humidity controller.

To ensure that the quality and aroma are retained, store fruit and vegetables that are sensitive to cold outside of the appliance at temperatures of approx. 8 °C to 12 °C, e.g. pineapple, bananas, citrus fruits, cucumbers, courgettes, peppers, tomatoes and potatoes.

6.6 Butter and cheese compartment

Store butter and hard cheese in the butter and cheese compartment.

6.7 Door rack

To adjust the door rack as required, you can remove the door rack and re-insert elsewhere.

→ *"Removing door rack", Page 27*

6.8 Ice cube maker

Use the ice cube maker to make ice cubes out of drinking water.

Making ice cubes

Use only drinking water to make ice cubes.

1. Remove the ice cube tray ①, fill $\frac{3}{4}$ full with drinking water ② and re-insert ③.

→ *Fig. 8*

Note: If it is filled with too much drinking water, this may impair the function of the ice cube maker. The ice cubes cannot be removed individually from the ice cube tray. Too much drinking water was added and is running into the ice cube container, causing any ice cubes to freeze together.

en operation

2. When the ice cubes are frozen, rotate the knob on the ice cube tray several times in a clockwise direction and release it.
→ Fig. 9
- ✓ The ice cubes will loosen and fall into the ice cube container.
3. Pull out the ice storage container and remove the ice cubes.
→ Fig. 10

6.9 Accessories

Use original accessories. These have been made especially for your appliance.

The accessories for your appliance depend on the model.

Egg tray

Store eggs safely on the egg tray.

Bottle holder

The bottle holder prevents bottles from falling over when the appliance door is opened and closed.

→ Fig. 11

Bottle shelf

Store bottles securely on the bottle shelf.

→ Fig. 12

Ice cube tray

Use the ice cube tray to make ice cubes.

Making ice cubes

Use only drinking water to make ice cubes.

1. Fill the ice cube tray with drinking water up to $\frac{3}{4}$ and place in the freezer compartment.
If the ice cube tray is stuck to the freezer compartment, loosen it with a blunt implement only (e.g. spoon handle).

2. To loosen the ice cubes, twist the ice cube tray slightly or hold it briefly under flowing water.

7 Basic operation

7.1 Switching on the appliance

1. Electrically connect the appliance.
→ Page 17

Note: If the appliance has been previously switched off using the control panel, press and hold + for ten seconds.

- ✓ The appliance begins to cool.
 - ✓ A warning tone sounds, the temperature display (freezer compartment) flashes, **ALARM** lights up and the status display lights up red because the freezer compartment is still too warm.
2. Switch off the warning tone using freezer
fridge .
 - ✓ **ALARM** goes out as soon as the set temperature has been reached.
 3. Set the required temperature.
→ Page 21

7.2 Operating tips

- Once you have switched on the appliance, the set temperature is only reached after several hours. Do not put any food in the appliance until the set temperature has been reached.
- The front and side panels of the housing heat up occasionally. This prevents condensation from forming.
- When you close the door, a vacuum may be created. The door is then difficult to open again. Wait a moment until the vacuum is offset.

7.3 Switching off the appliance

- ▶ Press and hold **+** for ten seconds.

7.4 Setting the temperature

Setting the refrigerator compartment temperature

1. Select the refrigerator compartment using refrigerator fridge.
2. Press **+/-** repeatedly until the temperature display (refrigerator compartment) shows the required temperature.

To reach the set temperature, slide the temperature controller for the storage container to a position that is one third from the bottom.

→ *Page 21*

The recommended temperature in the refrigerator compartment is 4 °C.

Setting the storage container temperature

1. To reduce the temperature, slide the temperature controller in the **extra cold** direction.
2. To increase the temperature, slide the temperature controller in the **cold** direction.

→ *Fig. 18*

Setting the freezer compartment temperature


1. Select the freezer compartment with freezer fridge.
2. Press **+/-** repeatedly until the temperature display (freezer compartment) shows the required temperature.

The recommended temperature in the freezer compartment is -18 °C.


7.5 Button lock (childproof lock)

The button lock prevents the appliance from being operated accidentally or incorrectly while running.

Switching on the button lock

- ▶ Press and hold **lock** for three seconds.
- ✓  3s lights up.

Switching off the button lock

- ▶ Press and hold **lock** for three seconds.
- ✓  3s lights up.

8 Additional functions

8.1 Super cooling

With Super cooling, the refrigerator compartment cools as cold as possible.

Switch on Super cooling before placing large quantities of food.

Note: When Super cooling is switched on, increased noise may occur.

Switching on Super cooling

- ▶ Press **super** repeatedly until supercool lights up.

Note: After approx. 6 hours, the appliance switches to normal operation.

Switching off Super cooling

- ▶ Press **super**.
- ✓ The previously set temperature is displayed.

8.2 Super freezing

With Super freezing, the freezer compartment cools as cold as possible. Switch on Super freezing four to six hours before placing food weighing 2 kg or more into the freezer compartment.

In order to utilise the freezer capacity, use Super freezing.

→ "Prerequisites for freezing capacity", Page 24

Note: When Super freezing is switched on, increased noise may occur.

Switching on Super freezing

- ▶ Press **super** repeatedly until superfreeze lights up.

Note: After approx. 54 hours, the appliance switches to normal operation.

Switching off Super freezing

- ▶ Press **super** repeatedly until superfreeze goes out.

8.3 Holiday mode

If you are going to be away for a long time, you can switch on energy-saving holiday mode on the appliance.

CAUTION

Risk of harm to health!

The refrigerator compartment heats up while the holiday mode is switched on. The increased temperature may cause bacteria to increase and spoil the food.


- ▶ When the holiday mode is switched on, do not store any food in the refrigerator compartment.

The appliance automatically sets the temperatures.

Refrigerator compartment	- 14 °C
--------------------------	---------

Freezer compartment	Temperature remains unchanged
---------------------	-------------------------------

Switching on holiday mode

- ▶ Press **mode** repeatedly until is  highlighted.

Switching off holiday mode

- ▶ Press **mode** repeatedly until no mode is highlighted.


8.4 Energy-saving mode

You can set the appliance to save energy with the energy-saving mode. The appliance automatically sets the temperatures.

Refrigerator compartment	8 °C
--------------------------	------

Freezer compartment	-16 °C
---------------------	--------

Switching on energy-saving mode

- ▶ Press **mode** repeatedly until is  highlighted.

Switching off energy-saving mode

- ▶ Press **mode** repeatedly until no mode is highlighted.

8.5 Freshness mode

In order to keep the food fresh for longer, you can switch on the freshness mode on the appliance. The appliance automatically sets the temperatures.

Refrigerator compartment	2 °C
--------------------------	------

Freezer compartment	Temperature remains unchanged
---------------------	-------------------------------

Switching freshness mode on

- ▶ Press **mode** repeatedly until is **fresh** highlighted.

Switching off freshness mode

- ▶ Press **mode** repeatedly until no mode is highlighted.

9 Alarm

9.1 Door alarm

If the appliance door is open for a while, the door alarm switches on. A warning tone sounds, the status display lights up red and **ALARM** appears for the affected compartment.

Switching off the door alarm

- ▶ Close the appliance door or press freezer fridge.
- ✓ The warning tone is switched off.

9.2 Temperature alarm

If the freezer compartment becomes too warm, the temperature alarm is switched on.

A warning tone sounds, the temperature display (freezer compartment) flashes, **ALARM** appears and the status display lights up red.

CAUTION

Risk of harm to health!

During the thawing process, bacteria may multiply and spoil the frozen food.

- ▶ Do not refreeze food after it has been defrosted or started to defrost.
- ▶ Refreeze food only after cooking.
- ▶ These items should no longer be stored for the maximum storage period.

The temperature alarm can be switched on in the following cases:

- The appliance is switched on.
 - Do not store any food until the appliance has reached the set temperature.
- Large quantities of fresh food are being placed inside.
 - Switch on Super freezing before placing large quantities of food in the appliance.
- The freezer compartment door is open for too long.
 - Check whether the frozen food has defrosted or thawed.

Switching off the temperature alarm

- ▶ Press freezer fridge.
- ✓ The warning tone is switched off.
- ✓ The temperature display (freezer compartment) briefly indicates the warmest temperature reached in the freezer compartment. The temperature display (freezer compartment) then indicates the set temperature again.
- ✓ From this time on, the warmest temperature is measured again and saved.

10 Refrigerator compartment

You can keep meat, sausage, fish, dairy products, eggs, prepared meals and pastries in the refrigerator compartment.

The temperature can be set from 2 °C to 8 °C.

The refrigerator compartment can also be used to store highly perishable foods in the short to medium term. The lower the selected temperature, the longer the food remains fresh.

10.1 Tips for storing food in the refrigerator compartment

- Only store food when fresh and undamaged.
- Store food covered or in air-tight packaging.
- To avoid impeding the circulation of air and to prevent food from freezing, do not place food in front of the inner ventilation openings or in direct contact with the back wall.
- Allow hot food and drinks to cool down first before placing in the appliance.
- Observe the best-before date or use-by date specified by the manufacturer.

10.2 Chill zones in the refrigerator compartment

The air circulation in the refrigerator compartment creates different chill zones.

Coldest zone

The coldest zone is between the arrow stamped on the side and the shelf underneath.

Tip: Store highly perishable food such as fish, sausages and meat in the coldest zone.

Warmest zone

The warmest zone is at the very top of the door.

Tip: Store food that does not spoil easily in the warmest zone, e.g. hard cheese and butter. Cheese can then continue to release its aroma and the butter will still be easy to spread.

11 Freezer compartment

You can store frozen food, freeze food and make ice cubes in the freezer compartment.

The temperature can be set from $-16\text{ }^{\circ}\text{C}$ to $-24\text{ }^{\circ}\text{C}$.

Long-term storage of food should be at $-18\text{ }^{\circ}\text{C}$ or lower.

The freezer compartment can be used to store perishable food long-term. The low temperatures slow down or stop the spoilage.

11.1 Freezing capacity

The freezing capacity indicates the quantity of food that can be frozen right through to the centre within a specific period of time.

Information on freezing capacity can be found on the rating plate.

→ Fig. 11/3

Prerequisites for freezing capacity

1. Approx. 24 hours before placing fresh food in the appliance, switch on Super freezing.
→ "Switching on Super freezing", Page 22
2. Fill the front area of the freezer compartment shelf with food first.
3. If the front area of the freezer compartment shelf does not have enough space, store the remaining food in the front area of the freezer compartment floor.

11.2 Fully utilising the freezer compartment volume

Learn how to store the maximum amount of frozen food in the freezer compartment.

1. Remove all fittings from the freezer compartment. → Page 27

- Stack food directly on the floor of the freezer compartment.

11.3 Tips for storing food in the freezer compartment

- Store food in air-tight packaging.
- Do not bring food which is to be frozen into contact with frozen food.
- Spread out the food over a wide area in the freezer compartment.

11.4 Tips for freezing fresh food

- Freeze fresh and undamaged food only.
- Freeze food in portions.
- Cooked food is more suitable than food that can be eaten raw.
- Vegetables: Wash, chop up and blanch before freezing.
- Fruit: Wash, pit and perhaps peel, possibly add sugar or ascorbic acid solution.
- Food that is suitable for freezing includes baked items, fish and seafood, meat, game, poultry, eggs without shells, cheese, butter and quark, ready meals and leftovers.
- Food that is unsuitable for freezing includes lettuce, radishes, eggs in shells, grapes, raw apples and pears, yoghurt, sour cream, crème fraîche and mayonnaise.

Packing frozen food

If you select suitable packaging material and the correct type of packaging, you can determine the product quality and prevent freezer burn.

- Place the food in the packaging.
- Squeeze out the air.
- Pack food airtight to prevent it from losing flavour and drying out.
- Label the packaging with the contents and the date of freezing.

11.5 Shelf life of frozen food at -18 °C

Food	Storage time
Fish, sausages, prepared meals and baked goods	up to 6 months
Poultry, meat	up to 8 months
Vegetables, fruit	up to 12 months

The imprinted freezer calendar indicates the maximum storage duration in months at a constant temperature of -18 °C.

11.6 Defrosting methods for frozen food

CAUTION

Risk of harm to health!

During the thawing process, bacteria may multiply and spoil the frozen food.

- Do not refreeze food after it has been defrosted or started to defrost.
- Refreeze food only after cooking.
- These items should no longer be stored for the maximum storage period.
- Defrost animal-based food, such as fish, meat, cheese, quark, in the refrigerator compartment.
- Defrost bread at room temperature.
- Prepare food for immediate consumption in the microwave, in the oven or on the hob.

12 Defrosting

12.1 Defrosting in the refrigerator compartment

The refrigerator compartment in your appliance defrosts automatically.

12.2 Defrosting in the freezer compartment

The fully automatic NoFrost system ensures that the freezer compartment remains frost-free. Defrosting is not required.

13 Cleaning and servicing

To keep your appliance working efficiently for a long time, it is important to clean and maintain it carefully. Customer Service must clean inaccessible points. Cleaning by customer service can give rise to costs.

13.1 Preparing the appliance for cleaning

1. Switch off the appliance.
→ *Page 21*
2. Disconnect the appliance from the power supply.
Unplug the appliance from the mains or switch off the circuit breaker in the fuse box.
3. Take out all of the food and store it in a cool place.
Place ice packs (if available) onto the food.
4. Remove all fittings and accessories from the appliance.
→ *Page 27*

5. Remove the shelf above the fruit and vegetable container.
→ *Page 27*

13.2 Cleaning the appliance

WARNING **Risk of electric shock!**

An ingress of moisture can cause an electric shock.

- ▶ Do not use steam- or high-pressure cleaners to clean the appliance.

Liquid in the lighting, controls or inner ventilation openings can be dangerous.

- ▶ The rinsing water must not drip into the lighting, controls or inner ventilation openings.

ATTENTION!

Unsuitable cleaning products may damage the surfaces of the appliance.

- ▶ Do not use hard scouring pads or cleaning sponges.
- ▶ Do not use harsh or abrasive detergents.
- ▶ Do not use cleaning products with a high alcohol content.

If you clean fittings and accessories in the dishwasher, this may cause them to become deformed or discoloured.

- ▶ Never clean fittings and accessory in the dishwasher.
1. Prepare the appliance for cleaning.
→ *Page 26*
 2. Clean the appliance, the fittings, the accessories and the door seals with a dish cloth, lukewarm water and a little pH-neutral washing-up liquid.
 3. Dry thoroughly with a soft, dry cloth.
 4. Insert the fittings and install the appliance components.

5. Electrically connect the appliance.
→ Page 17
6. Putting the food into the appliance.

13.3 Removing the fittings

If you want to clean the fittings thoroughly, remove these from your appliance.

Removing the shelf

- ▶ Pull out, lift and remove the shelf.
→ Fig. 14

Removing the snack container with holder

1. Remove the snack container.
2. Remove the shelf with the holder.
3. Slide the holder sideways off the shelf.
→ Fig. 15

Removing door rack

- ▶ Lift the door rack and remove it.
→ Fig. 16

Removing the storage container

1. Pull out the storage container as far as it will go.
2. Lift the storage container at the front ① and remove it ②.
→ Fig. 17

Removing the fruit and vegetable container

1. Pull out the fruit and vegetable containers as far as they will go.
2. Lift the fruit and vegetable containers at the front ① and remove them ②.
→ Fig. 18

Removing the ice cube maker

1. Remove and empty the ice cube tray ① and the ice storage container ②.
→ Fig. 19

2. Press the push-button ① to release the ice cube maker from the holder and remove the ice cube maker ②.
→ Fig. 20
3. Lift the rear end of the holder and lower it behind the freezer compartment shelf ①. Remove the holder towards the front ②.
→ Fig. 21

13.4 Removing appliance components

If you want to clean your appliance thoroughly, you can remove certain components from your appliance.

Shelf above the fruit and vegetable container

You can remove the cover of the fruit and vegetable container in order to clean it thoroughly.

Removing the shelf above the fruit and vegetable container

1. Remove the fruit and vegetable containers. → Page 27
2. Remove the storage container.
→ Page 27
3. Lift the fruit and vegetable container covers ① and remove them ②.
→ Fig. 22
4. Tilt the shelf above the fruit and vegetable container to the side ① and remove it ②.
→ Fig. 23

Fitting the shelf above the fruit and vegetable container

1. Tilt the shelf above the fruit and vegetable container to one side to insert it ① and then lower ②.
→ Fig. 24
2. Move the humidity controllers to the front.
→ Fig. 25

en Cleaning and servicing

3. Clip the fruit and vegetable container covers in place.

→ *Fig. 26*

Make sure that the fruit and vegetable container covers sit in the openings under the humidity controllers.

4. Insert the storage containers and the fruit and vegetable containers.

→ *Fig. 27*

14 Troubleshooting

You can rectify minor faults on your appliance yourself. Read the troubleshooting information before contacting after-sales service. This will avoid unnecessary costs.

WARNING

Risk of electric shock!

Incorrect repairs are dangerous.

- ▶ Repairs to the appliance should only be carried out by trained specialist staff.
- ▶ Only use genuine spare parts when repairing the appliance.
- ▶ If the power cord of this appliance is damaged, it must be replaced by the manufacturer, the manufacturer's Customer Service or a similarly qualified person in order to prevent any risk.

Fault	Cause and troubleshooting
The appliance is not cooling, the displays and lighting are lit.	Showroom mode is switched on. <ol style="list-style-type: none"> 1. Press and hold <small>freezer</small> <small>fridge</small> for at least 15 seconds. 2. After a short time, check whether your appliance is cooling.
The LED lighting does not work.	Different causes are possible. <ul style="list-style-type: none"> ▶ Call customer service. The customer service number can be found in the enclosed customer service directory.
Side panels of the appliance are warm.	Not a fault. The side panels contain pipes which heat up during the cooling process. Units touching the appliance will not be damaged by the heat. No action required.
E or d appears in the temperature display.	The electronics have detected a fault. <ol style="list-style-type: none"> 1. Switch off the appliance. → <i>Page 21</i> 2. Disconnect the appliance from the mains. <ul style="list-style-type: none"> Unplug the appliance from the mains or switch off the circuit breaker in the fuse box. 3. Reconnect the appliance after five minutes. 4. Switch on the appliance. → <i>Page 20</i> 5. If the message still appears on the display, call customer service. <ul style="list-style-type: none"> The customer service number can be found in the enclosed customer service directory.

Fault	Cause and troubleshooting
<p>A warning tone sounds, the temperature display (freezer compartment) flashes, ALARM appears and the status display lights up red.</p>	<p>Different causes are possible.</p> <ul style="list-style-type: none"> ▶ Press <small>freezer</small> <small>fridge</small>. ✓ The temperature display (freezer compartment) briefly indicates the warmest temperature reached in the freezer compartment. The temperature display (freezer compartment) then indicates the set temperature again. ✓ The alarm is switched off. ✓ ALARM lights up until the set temperature is reached. <hr/> <p>The appliance door is open.</p> <ul style="list-style-type: none"> ▶ Close the appliance door. <hr/> <p>Larger quantities of fresh food have been put in.</p> <ul style="list-style-type: none"> ▶ Do not exceed the max. freezing capacity. → "Freezing capacity", Page 24
<p>The set temperature is not reached. Fully automatic defrosting no longer works.</p>	<p>The freezer compartment door was open for a long time. The evaporator (refrigeration unit) in the noFrost system is heavily iced up.</p> <p>Requirement: Store the frozen food well insulated in a cool place.</p> <ol style="list-style-type: none"> 1. Switch off the appliance. → Page 21 2. Disconnect the appliance from the mains. Unplug the appliance from the mains or switch off the circuit breaker in the fuse box. 3. Move the appliance away from the wall. 4. Leave the appliance door open. ✓ After approx. 20 minutes, the condensation starts to run into the evaporation pan at the rear of the appliance. → Fig. 28 5. To prevent the evaporation pan from overflowing, mop up the condensation water with a sponge. The evaporator is defrosted if no more condensation water runs into the evaporation pan. 6. Clean the interior of the appliance. → Page 26 7. Switch the appliance back on. → Page 20

Fault	Cause and troubleshooting
The temperature differs greatly from the setting.	<p>Different causes are possible.</p> <ol style="list-style-type: none"> 1. Switch off the appliance. → <i>Page 21</i> 2. Switch the appliance back on after five minutes. → <i>Page 20</i> <ul style="list-style-type: none"> – If the temperature is too warm, check the temperature again after a couple of hours. – If the temperature is too cold, check the temperature again on the following day.
Condensation accumulates on the surface of the appliance and on the shelves inside.	<p>The water contained in warm and humid air condenses on the colder surfaces of the appliance.</p> <ol style="list-style-type: none"> 1. Wipe away the water with a soft, dry cloth. 2. Open the appliance as briefly as possible. 3. Ensure that the appliance is always closed properly.
The appliance hums, bubbles, buzzes, gargles, clicks, crackles or hisses.	<p>Not a fault. A motor is running, e.g. refrigerating unit, fan. Refrigerant flows through the pipes. The motor, switches or solenoid valves are switching on or off. Automatic defrosting is running. The NoFrost system defrosts; water droplets evaporate. No action required.</p>
The appliance makes noises.	<p>The appliance is not level.</p> <ul style="list-style-type: none"> ▶ Align the appliance using a spirit level and the screw feet. <hr/> <p>The appliance is not free-standing.</p> <ul style="list-style-type: none"> ▶ Observe the minimum clearances for the appliance. <hr/> <p>Fittings wobble or stick.</p> <ul style="list-style-type: none"> ▶ Check the removable fittings and, if required, replace these. <hr/> <p>Bottles or containers are touching.</p> <ul style="list-style-type: none"> ▶ Move the bottles or containers away from each other. <hr/> <p>Super freezing is switched on.</p> <p>No action required.</p>

14.1 Power failure

During a power failure, the temperature in the appliance rises; this reduces the storage time and the quality of the frozen food.

On the website for your appliance, the technical data provides you with the storage times for frozen food in the event of a fault.

Notes

- Open the appliance as little as possible during a power failure and do not place any other food in the appliance.
- Check the quality of the food immediately after a power failure.
 - Dispose of any frozen food that has defrosted and is hotter than 5 °C.
 - Cook or fry slightly thawed frozen food, and then either consume it or freeze it again.

14.2 Conducting an appliance self-test

Your appliance has an appliance self-test which displays faults that can be eliminated by your customer service.

1. Switch off the appliance.
→ *Page 21*
 2. Disconnect the appliance from the power supply.
Unplug the appliance from the mains or switch off the circuit breaker in the fuse box.
 3. Electrically reconnect the appliance after five minutes. → *Page 17*
 4. Switch on the appliance.
→ *Page 20*
 5. Within the first two minutes after switching on, press and hold freezer fridge for 3 seconds until an audible signal sounds.
- ✓ The appliance self-test starts.

- ✓ If, at the end of the appliance self-test, two audible signals sound and the temperature display indicates the set temperature, your appliance is OK. The appliance switches to normal operation.
- ✓ If, at the end of the appliance self-test, 5 audible signals sound, inform customer service.

15 Storage and disposal

15.1 Taking the appliance out of operation

1. Switch off the appliance.
→ *Page 21*
2. Disconnect the appliance from the power supply.
Unplug the appliance from the mains or switch off the circuit breaker in the fuse box.
3. Remove all of the food.
4. Clean the appliance. → *Page 26*
5. **ATTENTION!** Objects jammed between the door and the housing may damage the door hinge.
 - ▶ Open the door until it remains open by itself.
 - ▶ Do not insert any objects between the door and the housing.
To guarantee the ventilation inside the appliance, leave the appliance open.

15.2 Disposing of old appliance

Valuable raw materials can be re-used by recycling.

WARNING

Risk of harm to health!

Children can lock themselves in the appliance, thereby putting their lives at risk.

- ▶ Leave shelves and containers inside the appliance to prevent children from climbing in.
- ▶ Keep children away from the redundant appliance.

WARNING

Risk of fire!

If the tubes are damaged, flammable refrigerant and harmful gases may escape and ignite.

- ▶ Do not damage the tubes of the refrigerant circuit or the insulation.

1. Unplug the appliance from the mains.
2. Cut through the power cord.
3. Dispose of the appliance in an environmentally friendly manner.

Information about current disposal methods are available from your specialist dealer or local authority.



This appliance is labelled in accordance with European Directive 2012/19/EU concerning used electrical and electronic appliances (waste electrical and electronic equipment - WEEE). The guideline determines the framework for the return and recycling of used appliances as applicable throughout the EU.

16 Customer Service

Detailed information on the warranty period and terms of warranty in your country is available from our after-sales service, your retailer or on our website.

If you contact Customer Service, you will require the product number (E-Nr.) and the production number (FD) of your appliance.

The contact details for Customer Service can be found in the enclosed Customer Service directory or on our website.

16.1 Product number (E-Nr.) and production number (FD)

You can find the product number (E-Nr.) and the production number (FD) on the appliance's rating plate.

→ Fig. 11/3

Make a note of your appliance's details and the Customer Service telephone number to find them again quickly.

17 Technical data

Refrigerant, cubic capacity and further technical specifications can be found on the rating plate.

→ Fig. 11/3



لمزيد من المعلومات ، يرجى الرجوع إلى دليل المستخدم الرقمي.

فهرس المحتويات

6.5	درج الفاكهة والخضروات مع	36	1 الأمان.....
46	منظم الرطوبة.....	36	1.1 إرشادات عامة.....
47	6.6 درج الزبدة والجبن.....	1.2	الاستعمال المطابق
47	6.7 رف الباب.....	36	للتعليمات.....
47	6.8 جهاز إعداد مكعبات الثلج.....	36	1.3 تقييد دائرة المستخدمين.....
47	6.9 الملحقات.....	36	1.4 النقل الآمن.....
48	7 الاستعمال الأساسي.....	37	1.5 التركيب الآمن.....
48	7.1 تشغيل الجهاز.....	38	1.6 الاستخدام الآمن.....
48	7.2 إرشادات حول التشغيل.....	40	1.7 الجهاز المتضرر.....
48	7.3 إيقاف الجهاز.....	42	2 تجنب الأضرار المادية.....
48	7.4 ضبط درجة الحرارة.....	42	3 حماية البيئة والتوفير.....
49	7.5 قفل الأزرار (وظيفة أمان الأطفال).....	42	3.1 التخلص من مواد التغليف.....
49	8 الوظائف الإضافية.....	42	3.2 توفير الطاقة.....
49	8.1 التبريد الفائق.....	43	4 التنصيب والتوصيل.....
49	8.2 التجميد الفائق.....	43	4.1 محتويات عبوة المنتج.....
49	8.3 وضع العطلة.....	43	4.2 معايير مكان النصب.....
50	8.4 وضع توفير الطاقة.....	44	4.3 تركيب الجهاز.....
50	8.5 وضع الأطعمة الطازجة.....	44	4.4 تحضير الجهاز للاستخدام لأول مرة.....
50	9 الإنذار.....	44	4.5 توصيل الجهاز كهربائياً.....
50	9.1 إنذار الباب.....	44	5 التعرف.....
50	9.2 إنذار درجة الحرارة.....	44	5.1 الجهاز.....
51	10 قسم التبريد.....	45	5.2 نطاق الاستعمال.....
51	10.1 نصائح لتخزين الأطعمة في قسم التبريد.....	45	6 التجهيزات.....
51	10.2 النطاقات الباردة في قسم التبريد.....	45	6.1 الرف.....
51	11 صندوق التجميد.....	45	6.2 الرف المتغير.....
52	11.1 قدرة التجميد.....	46	6.3 وعاء حفظ الوجبات الخفيفة.....
52		46	6.4 حاوية التخزين.....

11.2	استغلال سعة صندوق التجميد بالكامل.....	52
11.3	نصائح لتخزين الأطعمة في صندوق التجميد.....	52
11.4	نصائح حول تجميد الأطعمة الطازجة.....	52
11.5	صلاحية الأطعمة المجمدة في درجة حرارة -18 °م.....	53
11.6	طرق إذابة التجمد عن الأطعمة المجمدة.....	53
12	إذابة التجمد.....	53
12.1	إذابة التجمد في قسم التبريد.....	53
12.2	إذابة التجمد في صندوق التجميد.....	53
13	التنظيف والعناية.....	53
13.1	تحضير الجهاز للتنظيف.....	53
13.2	تنظيف الجهاز.....	54
13.3	إخراج أجزاء التجهيزات.....	54
13.4	فك أجزاء الجهاز.....	55
14	التغلب على الاختلالات.....	56
14.1	انقطاع التيار الكهربائي.....	60
14.2	تنفيذ اختبار ذاتي للجهاز.....	60
15	التخزين والتخلص.....	60
15.1	إخراج الجهاز من الخدمة.....	60
15.2	التخلص من الجهاز القديم.....	61
16	خدمة العملاء.....	61
16.1	رقم المنتج (E-Nr.) ورقم الصنع (FD).....	61
17	البيانات التقنية.....	62

1 الأمان

احرص على مراعاة إرشادات الأمان التالية.

1.1 إرشادات عامة

- اقرأ هذا الدليل بعناية.
- احتفظ بالدليل وبمعلومات المنتج لغرض الاستخدام اللاحق أو لتسليمها إلى المالك التالي.
- لا توصل الجهاز بالكهرباء في حالة وجود أضرار ناتجة عن عملية النقل.

1.2 الاستعمال المطابق للتعليمات

- لا تستخدم الجهاز إلا:
 - لتبريد المواد الغذائية وتجميدها، وتحضير الثلج.
 - في المنزل الخاص وفي الأماكن المغلقة من المحيط المنزلي.
 - حتى ارتفاع يبلغ 2000 م فوق سطح البحر.

1.3 تقييد دائرة المستخدمين

- يمكن للأطفال بدءاً من عُمر 8 سنوات فما فوق، وكذلك للأشخاص الذين يعانون نقصاً في القدرات الجُسمانية أو الحسية أو العقلية، أو يعانون نقصاً في الإدراك أو المعرفة أو كليهما، استخدام هذا الجهاز، إذا تم ذلك تحت إشرافٍ وبعد اطلاعهم على كيفية التشغيل الآمن للجهاز، وإدراك المخاطر الناتجة.
- لا يجوز للأطفال العبث بالجهاز.
- لا يجوز للأطفال تنظيف الجهاز أو إجراء أعمال الصيانة المنوطة بالمستخدم إلا إذا تمت مراقبتهم أثناء ذلك.

1.4 النقل الآمن

- ⚠ **تحذير - خطر الإصابة!**
- قد يؤدي الوزن المرتفع للجهاز إلى إصاباتٍ عند رفعه.
- ◀ لا ترفع الجهاز بمفردك.

1.5 التركيب الآمن

⚠ تحذير - خطر الصعق الكهربائي!

- تتطوي أعمال التركيب غير السليمة فنيًا على أخطار.
- ◀ لا توصل الجهاز وتشغل إلا وفقًا للقيم الموضحة على لوحة الصنع.
- ◀ لا توصل الجهاز إلا بمقبس مرگب بطريقة سليمة ومزود بوصلة تأريض على أن تكون شبكة الكهرباء ذات تيار متردد.
- ◀ يجب أن يكون نظام أسلاك الحماية الأرضية الخاص بتركيبات المنزل الكهربائية مركبًا وفقًا للوائح المعنية.
- ◀ لا تزود الجهاز أبدًا عبر تجهيزة تشغيل خارجية، من قبيل ميقاتي أو جهاز تحكم عن بعد.
- ◀ إذا كان الجهاز مرگبًا وجب أن يكون قابس الكهرباء لكابل التوصيل بالشبكة حر الحركة، أو إذا تعذر تسهيل الوصول إليه، يجب في حالة التثبيت الكهربائي الدائم تركيب تجهيزة فصل متعددة الأقطاب طبقًا لتشريعات البناء.
- ◀ عند نصب الجهاز احرص على مراعاة ألا يكون كابل الكهرباء محشورًا أو متضررًا.
- أي عزل متضرر لكابل الكهرباء سوف يشكّل خطرًا.
- ◀ لا تقم مطلقًا بوضع وصلة الشبكة في وضع تلامس مع مصادر حرارية.

⚠ تحذير - خطر الانفجار!

- إذا كانت فتحات تهوية الجهاز مغلقة، فيمكن في حالة حدوث تسرب بدورة التبريد أن ينشأ خليط غاز وهواء قابل للاشتعال.
- ◀ لا تقم بغلق فتحات التهوية في جسم الجهاز أو في صندوق التركيب.

⚠ تحذير - خطر نشوب حريق!

- هناك خطورة عند استخدام كابل كهرباء مطول ومهايئ غير معتمد.
- ◀ لا تستخدم كابل إطالة أو مقبسًا متعددًا.
- ◀ لا تستخدم إلا المهائيات وكابلات الكهرباء المصّرّح بها من الجهة المنتجة.
- ◀ إذا كان كابل الكهرباء أقصر من اللازم ولا يتوفر كابل كهرباء أطول، فاتصل بشركة متخصصة في التوصيلات الكهربائية كي تُعدّل التركيبات المنزلية.

المقابس المتعددة المتنقلة أو أجزاء الشبكة يمكن أن تسخن للغاية وتسبب حريقًا.
 ◀ لا تضع المقابس المتعددة المتنقلة أو أجزاء الشبكة على الجهة الخلفية للجهاز.

1.6 الاستخدام الآمن

⚠ تحذير - خطر الصعق الكهربائي!

الرطوبة التي تتوغل في الجهاز قد تسبب صدمة كهربائية.
 ◀ لا تستخدم الجهاز إلا في أماكن مغلقة.
 ◀ لا تعرّض الجهاز أبدًا للحرارة والرطوبة الشديديتين.
 ◀ لا تستخدم أجهزة تنظيف بالضغط العالي أو أجهزة تنظيف البخار، كي تنظف الجهاز.

⚠ تحذير - خطر الاختناق!

يمكن أن يلف الأطفال مواد التغليف فوق رؤوسهم أو ينحسروا بداخلها ويختنقوا.
 ◀ أبعد مواد التغليف عن تناول الأطفال.
 ◀ لا تدع الأطفال يلعبون بمواد التغليف للجهاز.
 يمكن أن يستنشق الأطفال الأجزاء الصغيرة أو يبتلعوها ومن ثم يختنقون.
 ◀ أبعد الأجزاء الصغيرة عن تناول الأطفال.
 ◀ لا تدع الأطفال يلعبون بالأجزاء الصغيرة.

⚠ تحذير - خطر الانفجار!

عند تعرض دروة التبريد للضرر يمكن أن تتسرب مادة التبريد القابلة للاشتعال وتنفجر.
 ◀ لغرض تعجيل عملية إذابة التجمد لا تستخدم أية تجهيزات ميكانيكية أخرى أو أية وسائل أخرى غير تلك الموصى بها من قبل الجهة الصانعة.
 ◀ قم بفك الأطعمة المجمدة بأداة غير حادة، مثل مقبض ملعقة خشبية.
 المنتجات المحتوية على غازات نقّالة قابلة للاشتعال والمواد المتفجرة يمكن أن تنفجر، مثلًا علب الرش.
 ◀ تجنّب تخزين المنتجات المحتوية على غازات نقّالة قابلة للاشتعال أو مواد متفجرة في الجهاز.

⚠ تحذير - خطر نشوب حريق!

أية أجهزة كهربائية يتم وضعها داخل الجهاز يمكن أن تسبب حريقًا، مثل السخانات أو أجهزة إعداد الثلج الكهربائية.
 ◀ لا تقم بتشغيل أية أجهزة كهربائية داخل الجهاز.

⚠ تحذير - خطر الإصابة!

يمكن أن تنفجر الحاويات المحتوية على مشروبات غازية.
 ◀ يحظر تخزين الحاويات المحتوية على مشروبات غازية في صندوق التجميد.

إصابة العينين من جراء تسرب مادة التبريد القابلة للاشتعال والغازات الضارة.

◀ احرص على عدم إلحاق أضرار بأنابيب دورة التبريد أو العازل. الجهاز يمكن أن ينقلب.
 ◀ لا تضغط بقدمك على القاعدة أو الأرفف أو الأبواب، ولا تستند عليها.

⚠ تحذير - خطر الإصابة بحروق!

عند تشغيل الجهاز تصبح أجزاؤه الخلفية ساخنة.
 ◀ لا تلمس أبدا الأجزاء الساخنة.

⚠ تحذير - خطر الإصابة بلسعات برد!

يمكن أن تؤدي ملامس الأطعمة المجمدة والأسطح الباردة إلى الإصابة باكتواءات بسبب البرودة.
 ◀ لا تتناول المواد المجمدة في فمك، فور إخراجها من صندوق التجميد.

◀ تجنب ملامسة الجلد لفترة طويلة للمواد المجمدة أو الثلج أو الأسطح الموجودة في صندوق التجميد.

⚠ احترس - خطر حدوث أضرار صحية!

لتجنب تلوث الأطعمة يجب مراعاة التعليمات التالية.
 ◀ في حالة فتح الباب لفترة طويلة نسبياً، يمكن أن ترتفع درجة الحرارة بشكل بالغ في أقسام الجهاز.
 ◀ قم بصفة دورية بتنظيف الأسطح التي تلامس الأطعمة وأنظمة التصريف التي يمكن الوصول إليها.
 ◀ احفظ الأسماك واللحوم النيئة في أوعية مناسبة في الثلجة بحيث لا تلامس الأطعمة الأخرى أو تتقاطر عليها.

- ◀ في حالة ترك جهاز التبريد/التجميد فارغًا لفترة طويلة نسبيًا، أو وقف الجهاز وقم بإذابة التجمد به وتنظيفه، واطرك الباب مفتوحًا، لتجنب حدوث تعفن.
- الأجزاء الموجودة في الجهاز والمصنوعة من المعدن أو تتميز بمظهر المعدن، قد تحتوي على الألومنيوم. إذا تلامست الأطعمة الحمضية مع الألومنيوم الموجود في الجهاز، فقد تنتقل أيونات الألومنيوم إلى الطعام.
- ◀ لا تتناول الأطعمة الملوثة.

1.7 الجهاز المتضرر

⚠ تحذير - خطر الصعق الكهربائي!

- أي جهاز متضرر أو كابل كهرباء تالف سوف يشكّل خطرًا.
- ◀ لا تشغّل أبدًا جهازًا متضررًا.
- ◀ لا تشد كابل الكهرباء المتصل بالشبكة كي تفصل الجهاز عن شبكة الكهرباء أبدًا. انزع القابس الكهربائي من كابل الكهرباء دائمًا.
- ◀ إذا كان الجهاز متضررًا أو كابل التوصيل بالشبكة تالفًا، فاسحب على الفور القابس الكهربائي لكابل التيار أو افصل المصهر الموجود في صندوق المصاهر.
- ◀ اتصل بخدمة العملاء. ← صفحة 61
- تنطوي أعمال الإصلاح غير السليمة فنيًا على أخطار.
- ◀ وحدهم أفراد الطاقم الفني المدربون من أجل ذلك يُسمح لهم بإجراء إصلاحات على الجهاز.
- ◀ لا يُسمح إلا باستخدام قطع الغيار الأصلية لإصلاح الجهاز.
- ◀ إذا كان كابل الكهرباء لهذا الجهاز متضررًا، يجب تغييره من قبل الجهة الصانعة أو مركز خدمة العملاء التابع لها أو من قبل فني مؤهل بشكل مماثل، وذلك لتجنب المخاطر.

⚠ تحذير - خطر نشوب حريق!



- في حالة حدوث ضرر بالمواسير يمكن أن تتسرب مادة التبريد القابلة للاشتعال وتتسرب منها غازات ضارة وتشتعل.
- ◀ أبعد على الفور أي نار أو مصادر لهب عن الجهاز.
- ◀ قم بتهوية المكان.
- ◀ قم بإيقاف الجهاز. ← صفحة 48

- ◀ اسحب القابس الكهربائيّ لكابل التيار أو افصل المصهر الموجود في صندوق المصاهر.
- ◀ الاتصال بخدمة العملاء. ←صفحة 61

3.2 توفير الطاقة

عندما تتبع هذه الإرشادات، يستهلك جهازك كمية أقل من الطاقة.

اختيار مكان النصب

- احرص على حماية الجهاز من أشعة الشمس المباشرة.
- اجعل مكان نصب الجهاز أبعد ما يمكن عن عناصر التسخين أو الموقد أو مصادر الحرارة الأخرى:
 - حافظ على وجود مسافة 30 مم نحو المواقد الكهربائية أو الغازية.
 - حافظ على مسافة 300 مم نحو المواقد العاملة بالنفط أو الفحم.
- التزم بمسافة 50 مم من جانب الجدار.
- لا تقم أبدًا بتغطية فتحات التهوية الخارجية أو غلقها.

توفير الطاقة عند الاستخدام

ملاحظة: ترتيب أجزاء التجهيزات لا يؤثر على استهلاك الطاقة للجهاز.

- لا تفتح الجهاز إلا لفترة قصيرة وأغلقه بعناية.
- لا تقم أبدًا بتغطية فتحات التهوية الداخلية أو فتحات التهوية الخارجية أو غلقها.
- احرص على نقل الأطعمة التي تشتريها في حقيبة حفظ البرودة ثم ضعها سريعًا في الجهاز.
- اترك المواد الغذائية والمشروبات الساخنة تبرد قبل وضعها في الثلجة.
- للانتفاع ببرودة المواد المجمدة ضع المواد المجمدة المراد إذابة تجمدها في قسم التبريد.
- اترك مسافة دائمًا بين الأطعمة والجدار الخلفي للجهاز.

2 تجنب الأضرار المادية

تنبيه!

قد ينتج عن إمالة عجلات الجهاز إتلاف الأرضية عند نقل الجهاز.

- ◀ انقل الجهاز باستخدام عربة نقل.
- ◀ احرص على استخدام واقي للأرضية عند نقل الجهاز ولا تتحرك بطريقة متعرجة.

يمكن أن يتعرض الجهاز للضرر من جراء استخدام القاعدة أو الأرفف أو أبواب الجهاز كسطح جلوس أو سطح صعود.

- ◀ لا تضغط بقدمك على القاعدة أو الأرفف أو الأبواب، ولا تستند عليها.
- من خلال اتساخات الزيوت أو الدهون يمكن أن تصعب الأجزاء البلاستيكية وعناصر إحكام الباب مسامية.
- ◀ حافظ على الأجزاء البلاستيكية وعناصر إحكام الباب نظيفة من الزيوت والدهون.

الأجزاء الموجودة في الجهاز والمصنوعة من المعدن أو تتميز بمظهر المعدن، قد تحتوي على الألومنيوم. حيث يتفاعل الألومنيوم عندما يتصل بالأطعمة الحمضية.

- ◀ لا تقم بتخزين أي طعام في الجهاز دون تغليف.

3 حماية البيئة والتوفير

3.1 التخلص من مواد التغليف

كافة مواد التغليف خامات غير ضارة بالبيئة ويمكن إعادة استغلالها.

- ◀ تخلّص من المكونات المفردة بشكل منفصل حسب نوعها.

4.2 معايير مكان النصب

⚠ تحذير خطر الانفجار!

إذا كان الجهاز موجودًا في مكان صغير للغاية، فيمكن في حالة حدوث تسرب بدورة التبريد أن ينشأ خليط غاز وهواء قابل للاشتعال.

◀ لا تقم بنصب الجهاز إلا في مكان بمتوسط مساحة لا يقل عن 1 م³ لكل 8 جم من مادة التبريد. كمية مادة التبريد مدونة على لوحة الصنع. -الشكل 1/3

قد يصل وزن الجهاز تبعًا للطراز من قبل المصنع حتى 110 كجم. لتحمل وزن الجهاز يجب أن تكون الأرضية مستقرة بدرجة كافية.

درجة الحرارة المحيطة المسموح بها

يرتبط تحديد درجة الحرارة المحيطة المسموح بها بفتة المناخ الخاصة بالجهاز.

ستجد البيانات الخاصة بفتة المناخ على لوحة الصنع. -الشكل 1/3

فتة المناخ	درجة الحرارة المحيطة المسموح بها
SN	10 °م... 32 °م
N	16 °م... 32 °م
ST	16 °م... 38 °م
T	16 °م... 43 °م

يكون الجهاز قادرًا على العمل بكامل طاقته في نطاق درجة الحرارة المحيطة المسموح بها.

وضع الاستعداد

إذا لم يُستخدم الجهاز، تنتقل وحدة العرض إلى وضع الاستعداد أوتوماتيكياً. تنخفض شدة إضاءة لوحة الاستعمال في وضع الاستعداد ويضيء بيان الحالة باللون الأبيض.

4 التنصيب والتوصيل

4.1 محتويات عبوة المنتج

بعد إخراج كافة الأجزاء من عبوة التخليف، تأكد من خلوها من أية أضرار ناجمة عن النقل واكتمال مجموعة التوريدات. في حالات الشكاوى توجّه إلى تاجرِك أو إلى مركز خدمة العملاء -صفحة 61 التابع لنا.

تتكون مجموعة التجهيزات الموردة من:

- جهاز مستقل
- التجهيزات والملحقات¹
- مواد التركيب
- دليل التركيب
- دليل الاستعمال
- سجل خدمة العملاء
- ملحق الضمان²
- ملصق الطاقة
- معلومات حول استهلاك الطاقة والوضوء

¹ حسب تجهيز الجهاز

² ليست في كل البلدان

5 التعرّف

5.1 الجهاز

تجد هنا نظرة عامة على مكوّنات جهازك.

← الشكل 1

A	المجمّد ←صفحة 52
B	درج التبريد ←صفحة 51
1	الإضاءة
2	جهاز إعداد مكعبات الثلج ←صفحة 47
3	لوحة الصنع ←صفحة 62
4	وعاء حفظ الوجبات الخفيفة ←صفحة 46
5	منظم درجة الحرارة (وعاء التخزين) ←صفحة 48
6	حاوية التخزين ←صفحة 46
7	درج الفاكهة والخضروات مع منظم الرطوبة ←صفحة 46
8	نطاق الاستعمال ←صفحة 45
9	فتحة التهوية الداخلية (صندوق التبريد)
10	درج الزبدة والجبن ←صفحة 47
11	الرف المتغير ←صفحة 45
12	رف الباب للزجاجات الكبيرة ←صفحة 47
13	قدم ذات مسامير حلزونية

ملاحظة: يمكن أن تكون هناك اختلافات بين جهازك والصور فيما يتعلق بالتجهيز والحجم.

إذا قمت بتشغيل جهاز من فئة المناخ SN في درجة حرارة محيطية أكثر برودة، فيمكن استبعاد حدوث أضرار بالجهاز حتى درجة حرارة محيطية 5 °م.

التنصيب الفوقي والتحتي والمتجاور

إذا أردت تنصيب جهازي تبريد فوق بعضهما البعض أو بجوار بعضهما البعض، فيجب الحفاظ على مسافة فاصلة بينهما لا تقل عن 150 مم. مع بعض الأجهزة المختارة يمكن إجراء عملية التنصيب دون الالتزام بالحد الأدنى للمسافة. يُرجى الاستفسار عن ذلك من خلال الوكيل المتخصص لديك أو مصمم المطبخ.

4.3 تركيب الجهاز

◀ قم بتركيب الجهاز طبقاً لما ورد بدليل التركيب المرفق.

4.4 تحضير الجهاز للاستخدام لأول مرة

1. أخرج مواد المعلومات.
2. قم بإزالة رقائق الحماية ووسائل تأمين النقل، مثلاً الأشرطة اللاصقة والكارتون.
3. قم بتنظيف الجهاز لأول مرة.
←صفحة 54

4.5 توصيل الجهاز كهربائياً

1. أدخل مقبس الشبكة لكابل التوصيل بالكهرباء للجهاز في مقبس قريب من الجهاز.
- توجد بيانات توصيل الجهاز على لوحة الصنع. ←الشكل 1/3
2. افحص مقبس الشبكة للتأكد من ثباته.
- ✓ وعندئذ يكون الجهاز جاهزاً للتشغيل.

16 3s/3s 3s 3s يضيء عند تشغيل قفل الأزرار أو إيقافه.

5.2 نطاق الاستعمال

اضبط كل وظائف جهازك واحصل على معلومات حول حالة التشغيل عبر لوحة الاستعمال.

← الشكل 2

6 التجهيزات

ويرتبط تجهيز جهازك بالطراز المعني.

6.1 الرف

لتغيير مواضع الأرفف حسب الحاجة، أخرج الرف وأعد تركيبه في موضع آخر. ← "إخراج الرف"، صفحة 54

6.2 الرف المتغير

استخدم الرف المتغير لتخزين المواد الغذائية المبردة المرتفعة على الرف الموجود تحته، مثلاً الأباريق أو الزجاجات.

استخدام الرف المتغير

1. أمسك الجزء الأيسر للرف المتغير واسحب الجزء الأيمن منه للخارج حتى ينحل المشبك.

← الشكل 3

2. ارفع الجزء الأيمن للرف المتغير من الأمام ① ثم اخلعه ②.

← الشكل 4

3. أدخل الجزء الأيمن للرف المتغير أسفل الجزء الأيسر للرف المتغير حتى النهاية.

← الشكل 5

1 يظهر درجة الحرارة المضبوطة للمجمد بوحدة °م.

2 ALARM يضيء عندما يكون إنذار درجة الحرارة مشغلاً.

3 superfreeze يضيء عندما يكون التجميد الفائق مشغلاً.

4 freezer fridge يُستخدم لاختيار أحد الأقسام لتغيير درجة الحرارة أو لتشغيل وظائف إضافية معينة.

5 يظهر درجة الحرارة المضبوطة لقسم التبريد بوحدة °م.

6 ALARM يضيء عندما يكون إنذار الباب مشغلاً.

7 supercool يضيء عندما يكون التبريد الفائق مشغلاً.

8 fresh يضيء عندما يكون نمط الأطعمة الطازجة مشغلاً.

9 [] يضيء عندما يكون نمط الإجازة مشغلاً.

10 يُستخدم mode لاختيار أحد الأوضاع.

11 [] يضيء عندما يكون نمط توفير الطاقة مشغلاً.

12 +/- يضبط درجة حرارة القسم المختار.

13 يشير بيان الحالة إلى حالة تشغيل الجهاز.

14 lock يقوم بتشغيل أو إيقاف قفل أزرار نطاق الاستعمال.

15 super يقوم بإيقاف أو تشغيل supercool و superfreeze في القسم المختار.

6.3 وعاء حفظ الوجبات الخفيفة

قم بتخزين الأطعمة المغلفة أو الوجبات الخفيفة الصغيرة في درج حفظ الوجبات الخفيفة. أخرج درج حفظ الوجبات الخفيفة. ارفع درج حفظ الوجبات الخفيفة واسحبه للخارج. يمكنك تحريك حامل درج حفظ الوجبات الخفيفة.

← الشكل 6

6.4 حاوية التخزين

يسود في وعاء التخزين درجات حرارة أقل من درجة الحرارة في درج التبريد. وقد تصل إلى درجات أقل من 0° م من حين لآخر. للوصول بدرجات الحرارة إلى ما يقارب 0° م في حاوية التخزين، اضبط درجة حرارة صندوق التبريد على 2° م.

←صفحة 48

استخدم درجات الحرارة المنخفضة في حاوية التخزين، لتخزين الأطعمة القابلة للتلف بسهولة مثل السمك واللحم والسجق.

6.5 درج الفاكهة والخضروات مع منظم الرطوبة

قم بتخزين الفاكهة والخضروات الطازجة بدون تغليف في درج الفاكهة والخضروات. عند حفظ الفاكهة والخضروات المقطعة، قم بتغطيتها أو تغليفها بشكل محكم ضد تسريب الهواء. بواسطة منظم الرطوبة وعنصر إحكام خاص يمكنك موازنة درجة رطوبة الهواء في درج الفاكهة والخضروات. وبذلك يمكنك حفظ الفاكهة

والخضروات الطازجة لمدة أطول بمقدار الضعف من مدة الحفظ التقليدية.

← الشكل 7

اضبط درجة رطوبة الهواء في درج الفاكهة والخضروات وفقاً لنوع وكمية الأطعمة المطلوب تخزينها من خلال الضغط على منظم الرطوبة، كما يلي:

- درجة رطوبة هواء منخفضة 0 عندما تكون غالبية الأطعمة المخزنة من الفاكهة أو التعبئة المختلطة أو التخميل المرتفع.

- درجة رطوبة هواء عالية 40 عندما تكون غالبية الأطعمة المخزنة من الخضروات وكذلك في حالة التعبئة المختلطة أو التخميل القليل.

وفقاً للكمية المخزنة ونوع المواد المخزنة يمكن أن يتكون ماء متكثف في درج الفاكهة والخضروات. قم بإزالة الماء المتكثف بواسطة منديل جاف واضبط درجة رطوبة هواء منخفضة عن طريق منظم درجة الرطوبة.

لكي يتسنى الحفاظ على الجودة والنكهة، قم بتخزين الفاكهة والخضروات الحساسة للبرودة خارج الجهاز في درجات حرارة من حوالي 8° م حتى 12° م، مثل الأناناس، الموز، الموالح، الخيار، الكوسة، الفلفل الحلو، الطماطم والبطاطس.

6.6 درج الزبدة والجبن

قم بتخزين الزبدة والجبن الصلب في درج الزبدة والجبن.

6.7 رف الباب

لتغيير موضع رف الباب حسب الحاجة، أخرج رف الباب وأعد تركيبه في موضع آخر.

← "إخراج رف الباب"، صفحة 54

6.8 جهاز إعداد مكعبات الثلج

استخدم جهاز إعداد مكعبات الثلج، لعمل مكعبات الثلج من ماء الشرب.

عمل مكعبات الثلج

لا تستخدم سوى ماء الشرب لصنع مكعبات الثلج.

1. أخرج طبق مكعبات الثلج^① واملاه بماء الشرب حتى $\frac{3}{4}$ حجمه^② ثم أعد تركيبه^③.

← الشكل 8

ملاحظة: الملاء بكمية زائدة من ماء الشرب قد يضر بوظيفة جهاز إعداد مكعبات الثلج. ولن تنفك مكعبات الثلج بشكل فردي من طبق مكعبات الثلج. ويندفع ماء الشرب المملوء بشكل زائد عن الحد إلى إناء مكعبات الثلج وتتجمد مكعبات الثلج الموجودة معًا.

2. بعد تجمد مكعبات الثلج، أدر المقبض الدوار لطبق مكعبات الثلج عدة مرات ثم اتركه.

← الشكل 9

✓ تحمل مكعبات الثلج وتسقط في إناء مكعبات الثلج.

3. اسحب إناء مكعبات الثلج وأخرج المكعبات.

← الشكل 10

6.9 الملحقات

استخدم الملحقات الأصلية. فهي مصممة لتناسب مع جهازك. تتوقف ملحقات جهازك على الطراز.

رف البيض

قم بتخزين البيض بشكل آمن على رف البيض.

حامل الزجاجات

يعمل حامل الزجاجات على منع انقلاب الزجاجات عند فتح وغلق باب الجهاز.

← الشكل 11

رف الزجاجات

قم بوضع الزجاجات بشكل آمن على رف الزجاجات.

← الشكل 12

طبق مكعبات الثلج

استخدم طبق مكعبات الثلج، لعمل مكعبات الثلج.

عمل مكعبات الثلج

لا تستخدم سوى ماء الشرب لصنع مكعبات الثلج.

1. املا طبق مكعبات الثلج حتى ثلاثة أرباعه بماء صالح للشرب ثم ضعه في حيز التجميد.

لا تقم بفك طبق مكعبات الثلج المجمد إلا بأداة غير حادة، مثل مقبض معلقة.

2. لفك مكعبات الثلج، ضع طبق مكعبات الثلج تحت الماء لمدة قصيرة، أو قم ببله قليلاً.

7.3 إيقاف الجهاز

- ◀ استمر في الضغط على + لمدة 10 ثوان.

7.4 ضبط درجة الحرارة

ضبط درجة حرارة قسم التبريد

1. اختر درج التبريد باستخدام freezer fridge
 2. كرر الضغط على +/−، إلى أن يشير بيان درجة الحرارة (صندوق التبريد) إلى درجة الحرارة المرغوبة. للوصول إلى درجة الحرارة المضبوطة، حرّك منظم درجة حرارة وعاء التخزين إلى الوضع 1/3 من أسفل. ←صفحة 48
- درجة الحرارة الموصى بها في قسم التبريد تبلغ 4 °م.

ضبط درجة الحرارة وعاء التخزين

1. لتقليل درجة الحرارة، حرّك منظم درجة الحرارة في الاتجاه **extra cold**.
2. لرفع درجة الحرارة، حرّك منظم درجة الحرارة في الاتجاه **cold**.

← الشكل 13

ضبط درجة حرارة المجمد

1. اختر قسم التجميد باستخدام freezer fridge.
2. كرر الضغط على +/−، إلى أن يشير بيان درجة الحرارة (صندوق التجميد) إلى درجة الحرارة المرغوبة. درجة الحرارة الموصى بها في المجمد تبلغ −18 °م.

7 الاستعمال الأساسي

7.1 تشغيل الجهاز

1. قم بتوصيل الجهاز كهربائيًا. ←صفحة 44

- ملاحظة:** إذا تم إيقاف الجهاز بشكل مسبق عن طريق نطاق الاستعمال، اضغط على + لمدة 10 ثوان.
- ✓ يبدأ الجهاز في التبريد.
 - ✓ تصدر إشارة تحذير صوتية ويومض بيان درجة الحرارة (حيز التجميد) ويضيء **ALARM** ويضيء بيان الحالة باللون الأحمر، نظرًا لأن حيز التجميد مازال دافئًا للغاية.
 - 2. أوقف إشارة التحذير الصوتية بواسطة freezer fridge.
 - ✓ ينطفئ **ALARM** بمجرد الوصول إلى درجة الحرارة المضبوطة.
 - 3. اضبط درجة الحرارة المرغوبة. ←صفحة 48

7.2 إرشادات حول التشغيل

- إذا قمت بتشغيل الجهاز، لا يتم الوصول إلى درجة الحرارة المضبوطة إلا بعد عدة ساعات. لا تضع أية أطعمة قبل الوصول إلى درجة الحرارة المضبوطة.
- تصبح الواجهات والجدران الجانبية للجهاز ساخنة بعض الشيء بين الحين والآخر. وهذا يمنع تكون الماء بسبب التكثف.
- عندما تغلق الباب، يمكن أن يتولد ضغط منخفض. ولا تستطيع فتح الباب مرة أخرى إلا بصعوبة. انتظر لحظة، حتى يتم معادلة الضغط المنخفض.


7.5 قفل الأزرار (وظيفة أمان الأطفال)

يحول قفل الأزرار دون استعمال الجهاز بصورة غير مرغوبة أو غير مناسبة.

تشغيل قفل الأزرار

◀ اضغط على lock لمدة 3 ثوان.
✓ 3s  يضيء.

إيقاف قفل الأزرار

◀ اضغط على lock لمدة 3 ثوان.
✓ 3s  يضيء.

8.2 التجميد الفائق

مع التجميد الفائق يقوم صندوق التجميد بالتبريد بأقصى أداء تبريد ممكن.

قم بتشغيل التجميد الفائق قبل 4 حتى 6 ساعات من القيام بتخزين كمية أطعمة بدءاً من 2 كجم في المجمد. للاستفادة من قدرة التجميد، استخدم التجميد الفائق.

← "متطلبات قدرة التجميد"،
صفحة 52

ملاحظة: عندما يكون التجميد الفائق مشغلاً، قد تتزايد أصوات الضجيج.

قم بتشغيل التجميد الفائق

◀ كرر الضغط على super، إلى أن يضيء superfreeze.

ملاحظة: بعد حوالي 54 ساعة يتحول الجهاز إلى وضع التشغيل العادي.

قم بإيقاف التجميد الفائق

◀ كرر الضغط على super إلى أن ينطفئ superfreeze.

8.3 وضع العطلة

في حالة الغياب عن المنزل لمدة طويلة، يمكنك تشغيل الجهاز على وضع العطلة الموفر للطاقة.

⚠ احترس

خطر حدوث أضرار صحية!

عندما يكون وضع العطلة مشغلاً، ترتفع درجة حرارة حيز التبريد. وبسبب ارتفاع درجة الحرارة، يمكن أن تتكاثر البكتيريا وتفسد الأطعمة.
◀ لا تقم بتخزين أية أطعمة في صندوق التبريد عندما يكون وضع العطلة مشغلاً.

يقوم الجهاز بتحويل درجات الحرارة أوتوماتيكياً.

8 الوظائف الإضافية

8.1 التبريد الفائق

مع التبريد الفائق يعمل قسم التبريد بأقصى أداء تبريد ممكن.
قم بتشغيل التبريد الفائق قبل تخزين كميات الأطعمة الكبيرة.

ملاحظة: عندما يكون التبريد الفائق مشغلاً، قد تتزايد أصوات الضجيج.

تشغيل التبريد الفائق

◀ كرر الضغط على super، إلى أن يضيء supercool.

ملاحظة: بعد حوالي 6 ساعة يتحول الجهاز إلى وضع التشغيل العادي.

قم بإيقاف التبريد الفائق

◀ اضغط على super.
✓ يتم الإشارة إلى درجة الحرارة التي سبق ضبطها.

تشغيل وضع الأطعمة الطازجة

◀ كمر الضغط على mode، إلى أن يبرز fresh.

إيقاف وضع الأطعمة الطازجة

◀ كمر الضغط على mode، إلى أن يختفي الوضع.

9 الإنذار**9.1 إنذار الباب**

عند فتح باب الجهاز لمدة أطول ينطلق إنذار الباب.
تصدر إشارة تحذير صوتية ويضيء بيان درجة الحرارة ويظهر ALARM في الدرج المعني.

إطفاء إنذار الباب

◀ أغلق باب الجهاز أو اضغط على freezer . fridge
✓ يتم إيقاف إشارة التحذير الصوتية.

9.2 إنذار درجة الحرارة

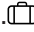
عندما تصبح درجة حرارة صندوق التجميد ساخنة جدًا، ينطلق إنذار درجة الحرارة.
تصدر إشارة تحذير صوتية ويومض بيان درجة الحرارة (حيز التجميد) ويظهر ALARM ويضيء بيان الحالة باللون الأحمر.

⚠ احترس**خطر حدوث أضرار صحية!**

عند إذابة التجمد قد تتكاثر البكتيريا، ومن ثم تفسد المواد المجمدة.
◀ لا تقم بإعادة تجميد المواد المذابة.
◀ ولا تقم بتجميدها مجددًا إلا بعد طهوها أو قليها،
◀ وحينها لا تعتمد على مدة التخزين الفصوى كاملةً.

قسم التبريد	14 °م
قسم التجميد	لم تتغير درجة الحرارة

تشغيل وضع العطله

◀ كمر الضغط على mode، إلى أن يبرز .

إيقاف تشغيل وضع العطله

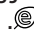
◀ كمر الضغط على mode، إلى أن يختفي الوضع.

8.4 وضع توفير الطاقة

باستخدام وضع توفير الطاقة يمكنك تحويل الجهاز إلى التشغيل الموفر للطاقة.
يقوم الجهاز بتحويل درجات الحرارة أوتوماتيكياً.

قسم التبريد	8 °م
المجمد	-16 °م

تشغيل وضع توفير الطاقة

◀ كمر الضغط على mode، إلى أن يبرز .

إيقاف وضع توفير الطاقة

◀ كمر الضغط على mode، إلى أن يختفي الوضع.

8.5 وضع الأطعمة الطازجة

للمحافظة على الأطعمة طازجة لمدة أطول، يمكنك تشغيل وضع الأطعمة الطازجة بالجهاز.
يقوم الجهاز بتحويل درجات الحرارة أوتوماتيكياً.

قسم التبريد	2 °م
المجمد	لم تتغير درجة الحرارة

10.1 نصائح لتخزين الأطعمة في قسم التبريد

- احفظ الأطعمة الطازجة والسليمة فقط.
- احرص على تغليف الأطعمة بشكل محكم ضد تسريب الهواء أو تغطيتها أثناء حفظها.
- لا تضع الأطعمة أمام فتحة التهوية الداخلية أو بجوار الجدار الخلفي مباشرة حتى لا يضعف تدوير الهواء أو تتجمد الأطعمة.
- ينبغي ترك الأطعمة والمشروبات الساخنة لتبرد أولاً.
- يجب مراعاة تاريخ انتهاء الصلاحية أو تاريخ الاستهلاك المحدد من قبل الجهة الصانعة.

10.2 النطاقات الباردة في قسم التبريد

من خلال تدوير الهواء في قسم التبريد تنشأ نطاقات باردة مختلفة.

أكثر منطقة برودة

النطاق الأكثر برودة هو ذلك الموجود بين السهم المرسوم على الجانب وبين الرف الموجود تحته.

نصيحة: قم بتخزين الأطعمة القابلة للتلف بسهولة، مثل السمك والسجق واللحم، في النطاق الأكثر برودة.

أكثر النطاقات سخونة

أكثر النطاقات سخونة هو الواقع عند الباب بالأعلى تمامًا.

نصيحة: قم بتخزين الأطعمة غير الحساسة، مثلًا الجبن الصلب والزبدة، في النطاقات الأكثر سخونة. بذلك يمكن للجبن أن يحافظ على رائحته الفواحة، بينما تبقى الزبدة سهلة الفرد.

قد ينطلق إنذار درجة الحرارة في الحالات التالية:

- عند بدء تشغيل الجهاز.
- لا تقم بتخزين المواد الغذائية، إلا بعد الوصول إلى درجة الحرارة المضبوطة.
- عند وضع كمية كبيرة من الأطعمة الطازجة.
- قم بتشغيل التجميد الفائق قبل تخزين كميات كبيرة من الطعام.
- ترك باب صندوق التجميد مفتوحًا لمدة طويلة.
- افحص ما إذا كان يتم إذابة المواد الغذائية المجمدة.

إطفاء إنذار درجة الحرارة

- ◀ اضغط على freezer fridge
- ✓ يتم إيقاف إشارة التحذير الصوتية.
- ✓ يشير بيان درجة الحرارة (صندوق التجميد) لفترة قصيرة إلى أعلى درجة حرارة كانت سائدة في المجمد. وبعد ذلك يشير بيان درجة الحرارة (صندوق التجميد) مرة أخرى إلى درجة الحرارة المضبوطة.
- ✓ بدءًا من هذه اللحظة سيتم مجددًا احتساب أعلى درجة حرارة وتخزينها.

10 قسم التبريد

يمكنك حفظ اللحم والسجق (التفانق) والسمك ومنتجات الألبان والبيض والأطعمة الجاهزة والمخبوزات في قسم التبريد.

يمكن ضبط درجة الحرارة على قيمة من 2° م حتى 8° م.

يمكنك بواسطة التخزين البارد تخزين الطعام القابل للتلف بسهولة لفترة قصيرة وحتى متوسطة. كلما كانت درجة الحرارة المختارة أكثر انخفاضًا، طالبت المدة التي تظل فيها الأطعمة طازجة.

11.2 استغلال سعة صندوق التجميد بالكامل

تعرف على كيفية وضع الكمية القصوى من الطعام المراد تجميده في درج التجميد.

1. أخرج جميع أجزاء التجهيزات في درج التجميد. ← صفحة 54
2. قم بتخزين الطعام على أرضية المجمد مباشرة.

11.3 نصائح لتخزين الأطعمة في صندوق التجميد

- احرص على تغليف الأطعمة بشكل محكم ضد تسريب الهواء أثناء حفظها.
- عدم ملاصقة الأطعمة المراد تجميدها للأطعمة المجمدة.
- قم بتوزيع الأطعمة في المجمد على أكبر مساحة ممكنة.

11.4 نصائح حول تجميد الأطعمة الطازجة

- احرص على تجميد الأطعمة الطازجة والسليمة فقط.
- قم بتجميد الأطعمة شيئاً فشيئاً.
- الأطعمة الجاهزة تكون أنسب من الأطعمة التي يمكن تناولها نيئة.
- قم بغسل الخضروات وتقطيعها وسلقها قبل التجميد.
- قبل التجميد، قم بغسل الفاكهة ونزع بذورها وتقسيمها حسب اللزوم وإضافة السكر أو مادة حمض الأسكوربيك.
- من الأطعمة المناسبة للتجميد المخبوزات واللحوم والمأكولات البحرية واللحوم البرية والطيور والبيض بدون قشرة والجبن والزبدة واللبن المخثر والوجبات الجاهزة وبقايا الأطعمة.

11 صندوق التجميد

في صندوق التجميد يمكنك تخزين الأغذية المجمدة، وتجميد الطعام وعمل مكعبات الثلج. يمكن ضبط درجة الحرارة على قيمة من -16° م حتى -24° م. عند تخزين الأطعمة لفترة طويلة ينبغي أن يتم ذلك في درجة حرارة -18° م أو أقل.

بفضل خاصية تخزين الأطعمة المجمدة يمكن تخزين الأطعمة التي تفسد بسرعة لفترة طويلة. فدرجات الحرارة المنخفضة تبطئ أو توقف فساد الأطعمة.

11.1 قدرة التجميد

تحدد قدرة التجميد كمية الطعام التي يمكن تجميدها حتى باطنها وعدد الساعات اللازمة لذلك. ستجد البيانات الخاصة بأقصى قدرة تجميد على لوحة الصنع. ← الشكل 3

متطلبات قدرة التجميد

1. قبل وضع الأطعمة الطازجة بحوالي 24 ساعة، قم بتشغيل التجميد الفائق.
- ← "قم بتشغيل التجميد الفائق"، صفحة 49
2. في البداية املأ النطاق الأمامي لرف حيز التجميد بالأطعمة.
3. إذا كان النطاق الأمامي لرف حيز التجميد غير كافٍ، فقم بتخزين الكمية المتبقية في النطاق الأمامي لأرضية حيز التجميد.

- ◀ ولا تقم بتجميدها مجددًا إلا بعد طهوها أو قليها،
- ◀ وحينها لا تعتمد على مدة التخزين القصوى كاملةً.

- قم بإذابة تجمد أغذية الحيوانات مثل السمك واللحوم والجبن واللبن المخثر في حيز التبريد.
- قم بإذابة تجمد الخبز في درجة حرارة الغرفة.
- قم بتحضير الأطعمة في الميكروويف أو في الفرن أو على الموقد لتناولها على الفور.

12 إذابة التجمد

12.1 إذابة التجمد في قسم التبريد

صندوق التبريد في جهازك يقوم بإذابة التجمد أوتوماتيكياً.

12.2 إذابة التجمد في صندوق التجميد

بفضل نظام NoFrost الأوتوماتيكي بالكامل يبقى المجمد خالياً من الثلج. وبالتالي ليس هناك حاجة لإذابة التجمد.

13 التنظيف والعناية

نظف جهازك واعنتني به بدقة، كي يظل قادراً على أداء وظيفته لمدة طويلة. يجب أن يتم تنظيف المواضع، التي يصعب الوصول إليها، عن طريق خدمة العملاء. يمكن أن يكلف التنظيف عبر خدمة العملاء نفقات مالية.

13.1 تحضير الجهاز للتنظيف

1. قم بإيقاف الجهاز. ← صفحة 48

- من الأطعمة غير المناسبة للتجميد الخس والفجل والبيض بقشرته والعنب والتفاح النيئ والكمثرى والزبادي والكريمة الحامضة والقشدة الطرية والمايونيز.

تغليف المواد المجمدة

خامة التغليف المناسبة وطريقة التغليف الصحيحة من شأنهما الحفاظ على جودة المنتج وتجنب حروق التجميد.

1. قم بوضع الطعام في الغلاف.
2. قم بالضغط عليها لتفريغ الهواء.
3. أغلق الغلاف بإحكام ضد الهواء، حتى لا يفقد الطعام نكهته أو يجف.
4. دوّن على الغلاف محتواه وتاريخ تجميده.

11.5 صلاحية الأطعمة

المجمدة في درجة حرارة -18° م

المواد الغذائية	فترة التخزين
السمك والنفانق والأطعمة الجاهزة والمخبوزات	حتى 6 شهور
الطيور واللحوم	حتى 8 شهور
الخضروات والفواكه	حتى 12 شهراً

يبين تقويم التجميد المطبوع أقصى مدة تخزين بالشهور في ظل درجة حرارة ثابتة تبلغ -18° م.

11.6 طرق إذابة التجمد عن الأطعمة المجمدة



خطر حدوث أضرار صحية!

عند إذابة التجمد قد تتكاثر البكتيريا، ومن ثم تفسد المواد المجمدة. لا تقم بإعادة تجميد المواد المذابة.

عندما تقوم بتنظيف أجزاء التجهيزات والملحقات في غسالة الأواني، فإنها يمكن أن تتشوه أو يتغير لونها. ◀ لا تقم أبداً بتنظيف أجزاء التجهيزات والملحقات في غسالة الأواني.

1. قم بتحصير الجهاز للتنظيف. ←صفحة 53
2. قم بتنظيف الجهاز وأجزاء التجهيزات وأجزاء الكماليات وعناصر إحكام الباب باستخدام فوطة أواني وماء فاتر وقدر من مادة تنظيف متعادلة الأس الهيدروجيني.
3. قم بالتجفيف جيداً بعد ذلك باستخدام فوطة ناعمة وجافة.
4. أدخل أجزاء التجهيزات و قم بتركيب أجزاء الجهاز.
5. قم بتوصيل الجهاز كهربائياً. ←صفحة 44
6. قم بوضع الأطعمة.

13.3 إخراج أجزاء التجهيزات

عندما تريد تنظيف أجزاء التجهيزات جيداً، اخلعها من جهازك.

إخراج الرف

- ◀ اسحب الرف للخارج وارفعه واخلعه. ← الشكل 14

إخراج وعاء حفظ الوجبات الخفيفة مع الحامل

1. أخرج وعاء حفظ الوجبات الخفيفة.
2. أخرج الرف مع الحامل.
3. اسحب الحامل من الرف من الجانبين. ← الشكل 15

إخراج رف الباب

- ◀ ارفع رف الباب واخلعه. ← الشكل 16

2. افصل الجهاز عن الشبكة الكهربائية. اسحب القابس الكهربائي لكابل التيار أو افصل المصهر الموجود في صندوق المصاهر.
3. أخرج جميع الأطعمة و قم بتخزينها في مكان بارد. ضع مراكم البرودة، إن وُجدت، على الأطعمة.
4. أخرج جميع أجزاء التجهيزات وأجزاء الكماليات من الجهاز. ←صفحة 54
5. قم بفك الرف الموجود فوق درج الفاكهة والخضروات. ←صفحة 55

13.2 تنظيف الجهاز

⚠ تحذير

خطر الصعق الكهربائي!

- الرطوبة المتوقعة في الجهاز قد تسبب صدمة كهربائية.
- ◀ لا تستخدم أجهزة تنظيف بالضغط العالي أو أجهزة تنظيف بالبخار، كي تتلف الجهاز.
- وصول سوائل إلى الإضاءة أو عناصر الاستعمال أو إلى فتحات التهوية الداخلية قد يكون خطيراً.
- ◀ يحظر وصول ماء الشطف إلى الإضاءة أو عناصر الاستعمال أو فتحات التهوية الداخلية.

تنبيه!

- المنظفات غير المناسبة يمكن أن تضر بسطح الجهاز.
- ◀ لا تستخدم وسائد حاكّة أو قطع إسفنجية خشنة.
- ◀ لا تستخدم منظفات خادشة أو مواد تنظيف حادة.
- ◀ لا تستخدم أية منظفات قوية تحتوي على الكحول.

أخرج حاوية التخزين

1. اسحب وعاء التخزين للخارج حتى النهاية.
 2. ارفع وعاء التخزين للأمام ① وأخرجه ②.
- ← الشكل 17

إخراج درج الفاكهة والخضروات

1. اسحب درج الفاكهة والخضروات للخارج حتى النهاية.
 2. ارفع درج الفاكهة والخضروات من الأمام ① ثم اخلعه ②.
- ← الشكل 18

إخراج جهاز إعداد مكعبات الثلج

1. أخرج طبق مكعبات الثلج ① ووعاء مكعبات الثلج ② وقم بتفريغهما.
- ← الشكل 19
2. اضغط الزر الانضغاطي ①، لفك جهاز إعداد مكعبات الثلج من الحامل واخلع جهاز إعداد مكعبات الثلج ②.
- ← الشكل 20
3. ارفع الطرف الخلفي للحامل وأنزل رف حيز التبريد من الخلف ①. اخلع الحامل بسحبه للأمام ②.
- ← الشكل 21

13.4 فك أجزاء الجهاز

إذا أردت تنظيف جهازك بعناية، يمكنك فك أجزاء معينة من الجهاز.

الرف الموجود فوق درج الفاكهة والخضروات

يمكنك فك الغطاء ودرج الفاكهة والخضروات لتنظيفهما جيدا.

فك الرف الموجود فوق درج الفاكهة والخضروات

1. اخلع درج الفاكهة والخضروات.
- ← صفحة 55

2. أخرج وعاء التخزين. ← صفحة 55

3. ارفع أغطية درج الفاكهة والخضروات ① ثم اخلعه ②.
- ← الشكل 22

4. اقلب الرف الموجود فوق درج الفاكهة والخضروات جانبا ① ثم اخلعه ②.
- ← الشكل 23

تركيب الرف الموجود فوق درج الفاكهة والخضروات

1. قم بتركيب الرف الموجود فوق درج الفاكهة والخضروات مائلا من الجانب ① ثم قم بإنزاله ②.
- ← الشكل 24

2. انقل منظم الرطوبة إلى الوضع الأمامي.
- ← الشكل 25

3. قم بتعليق أغطية درج الفاكهة والخضروات.
- ← الشكل 26

يراعى أثناء ذلك أن تستقر أغطية درج الفاكهة والخضروات في الفتحات أسفل منظم الرطوبة.

4. قم بتركيب وعاء التخزين ودرج الفاكهة والخضروات.
- ← الشكل 27

14 التغلب على الاختلالات

يمكنك أن تقوم بنفسك بإصلاح الأعطال البسيطة بجهازك. اقرأ معلومات التغلب على الأعطال قبل الاتصال بخدمة ما بعد البيع. حيث يجنبك ذلك أية تكاليف غير ضرورية.

⚠ تحذير

خطر الصعق الكهربائي!

تنطوي أعمال الإصلاح غير السليمة فنيًا على أخطار.

- ◀ وحدهم أفراد الطاقم الفني المدربون من أجل ذلك يُسمح لهم بإجراء إصلاحات على الجهاز.
- ◀ لا يُسمح إلا باستخدام قطع الغيار الأصلية لإصلاح الجهاز.
- ◀ إذا كان كابل الكهرباء لهذا الجهاز متضررًا، يجب تغييره من قبل الجهة الصانعة أو مركز خدمة العملاء التابع لها أو من قبل فني مؤهل بشكل مماثل، وذلك لتجنب المخاطر.

العطل	السبب والتغلب على الأعطال
الجهاز لا يبُرد، بينما الشاشة وتجهيزه الإضاءة مضيئتان.	نمط العرض مشغّل. 1. احتفظ بالزر ^{freezer} fridge مضغوطًا لمدة 15 ثانية. 2. تحقق بعد فترة وجيزة من برودة الجهاز.
إضاءة LED لا تعمل.	أسباب مختلفة ممكنة. ◀ اتصل بخدمة العملاء. تجد رقم خدمة العملاء في دليل مراكز خدمة العملاء المرفق.
الجران الجانبية للجهاز ساخنة.	لا يوجد خطأ. تمر أنابيب عبر الجدران الجانبية، وهي تسخن أثناء عملية التبريد. الأثاث الذي يلامس الجهاز لا يتضرر بسبب الحرارة. لا داع لاتخاذ تصرف.

العطل	السبب والتغلب على الأعطال
يظهر E أو d في بيان درجة الحرارة.	اكتشفت الوحدة الإلكترونية وجود خطأ. 1. قم بإيقاف الجهاز. ← صفحة 48 2. افصل الجهاز عن الشبكة الكهربائية. اسحب القابس الكهربائي لكابل توصيل التيار من المقبس أو افصل المصهر الموجود في صندوق المصاهر. 3. قم بتوصيل الجهاز مرة أخرى بعد 5 دقائق. 4. قم بتشغيل الجهاز. ← صفحة 48 5. إذا استمر ظهور البلاغ في وحدة العرض، اتصل بخدمة العملاء. تجد رقم خدمة العملاء في دليل مراكز خدمة العملاء المرفق.
تصدر إشارة تحذير صوتية ويومض بيان درجة الحرارة (حيز التجميد) ويظهر ALARM ويضيء بيان الحالة باللون الأحمر.	أسباب مختلفة ممكنة. ← اضغط على ^{freezer} fridge ✓ يشير بيان درجة الحرارة (صندوق التجميد) لفترة قصيرة إلى أعلى درجة حرارة كانت سائدة في المجمد. وبعد ذلك يشير بيان درجة الحرارة (صندوق التجميد) مرة أخرى إلى درجة الحرارة المضبوطة. ✓ يتم إيقاف الإنذار. ✓ يضيء ALARM حتى الوصول إلى درجة الحرارة المضبوطة.
	باب الجهاز مفتوح. ← أغلق باب الجهاز.
	تم وضع كمية كبيرة من الأطعمة الطازجة. ← لا تتجاوز أقصى قدرة تجميد. ← "قدرة التجميد"، صفحة 52

السبب والتغلب على الأعطال	العطل
<p>تم ترك باب صندوق التجميد مفتوحاً لفترة طويلة. جهاز التبخير (مولد البرودة) في نظام NoFrost متجمد بشدة.</p> <p>الشرط: تم تخزين الطعام المجمد بشكل جيد في مكان بارد.</p>	<p>لم يتم الوصول إلى درجة الحرارة المضبوطة.</p> <p>خاصية إذابة التجمد الأوتوماتيكية بالكامل لا تعمل.</p>
<ol style="list-style-type: none"> 1. قم بإيقاف الجهاز. ←صفحة 48 2. افصل الجهاز عن الشبكة الكهربائية. اسحب القابس الكهربائيّ لكابل توصيل التيار من المقبس أو افصل المصهر الموجود في صندوق المصاهر. 3. أبعدها عن الجهاز عن الحائط. 4. اترك باب الجهاز مفتوحاً. <p>✓ بعد حوالي 20 دقيقة يبدأ الماء المذاب بالسيلان في صينية التبخير على الجهة الخلفية للجهاز.</p> <p>← الشكل 28</p> <ol style="list-style-type: none"> 5. لمنع زيادة الماء على صينية التبخير في هذه الحالة قم بالتقاط الماء المذاب بواسطة إسفنجة. يكون قد تم إذابة التجمد عن جهاز التبخير عند توقف سيلان الماء المذاب في صينية التبخير. 6. قم بتنظيف الحيز الداخلي للجهاز. ←صفحة 54 7. أعد تشغيل الجهاز. ←صفحة 48 	<p>درجة الحرارة تختلف كثيراً عن وضع الضبط.</p>
<p>أسباب مختلفة ممكنة.</p> <ol style="list-style-type: none"> 1. قم بإيقاف الجهاز. ←صفحة 48 2. أعد تشغيل الجهاز بعد حوالي 5 دقائق. ←صفحة 48 <p>- عندما تكون درجة الحرارة مرتفعة جداً، تحقق من درجة الحرارة مجدداً بعد بضع ساعات.</p> <p>- عندما تكون درجة الحرارة باردة جداً، تحقق من درجة الحرارة مجدداً في اليوم التالي.</p>	<p>يتكون ماء منكمثف على سطح الجهاز والأررف في الجهاز.</p>
<p>يتكثف الماء المحتوي على هواء دافئ ورطب على الأسطح الباردة.</p> <ol style="list-style-type: none"> 1. امسح الماء باستخدام قطعة قماش ناعمة وجافة. 2. افتح الجهاز قليلاً قدر الإمكان. 3. تأكد أن الجهاز مغلق دائماً بصورة صحيحة. 	<p>يتكون ماء منكمثف على سطح الجهاز والأررف في الجهاز.</p>

العطل	السبب والتغلب على الأعطال
الجهاز يصدر صوت أزيز أو بقللة أو زن أو بقبقة أو طقطقة أو طنين.	لا يوجد خطأ. محرك يعمل، مثلاً جهاز التبريد، المروحة. مادة التبريد تتدفق عبر الأنابيب. يتم تشغيل أو إيقاف المحرك أو المفتاح أو الصمامات المغناطيسية. يتم إذابة التجمد أو توماتيكياً. يقوم نظام منع تكون الصقيع الأوتوماتيكي NoFrost بالإذابة وتتبخر قطرات الماء. لا داع لاتخاذ تصرف.
الجهاز يصدر أصوات ضجيج.	الجهاز في وضعية غير مستوية. ◀ قم بمحاذاة الجهاز باستخدام ميزان ماء والأقدام ذات المسامير الحلزونية. الجهاز ليس منفصل. ◀ التزم بالحد الأدنى للمسافات الفاصلة للجهاز.
	أجزاء التجهيزات ترتج أو تنحصر. ◀ افحص أجزاء التجهيزات القابلة لل فك و قم بتركيبها من جديد حسب الحالة.
	الزجاجات أو الأواني تتلامس. ◀ أبعد الزجاجات أو الأواني عن بعضها.
	التجميد الفائق مشغل. لا داع لاتخاذ تصرف.

- ✓ إذا صدر بعد نهاية الاختبار الذاتي للجهاز إشارتان صوتيتان وأشار بيان درجة الحرارة إلى درجة الحرارة المضبوطة، فهذا يعني أن جهازك على ما يرام. ينتقل الجهاز إلى وضع التشغيل العادي.
- ✓ إذا صدر بعد نهاية الاختبار الذاتي للجهاز 5 إشارات صوتية، فأبلغ خدمة العملاء.

15 التخزين والتخلص

15.1 إخراج الجهاز من الخدمة

1. قم بإيقاف الجهاز. ←صفحة 48
 2. افصل الجهاز عن الشبكة الكهربائية. اسحب القابس الكهربائي لكابل التيار أو افصل المصهر الموجود في صندوق المصاهر.
 3. أخرج جميع الأطعمة.
 4. قم بتنظيف الجهاز. ←صفحة 54
 5. **تنبيه!** قد تتعرض مفصلة الباب للضرر من خلال الأغراض المحشورة بين الباب والجسم.
- ◀ افتح الباب حتى يظل مفتوحًا بشكل ذاتي.
 - ◀ لا تضع أغراضًا بين الباب والجسم. اترك الجهاز مفتوحًا لضمان تهوية الحيز الداخلي.

14.1 انقطاع التيار الكهربائي

- ترتفع درجة الحرارة في الجهاز أثناء انقطاع الكهرباء وبالتالي تقل مدة التخزين وتخفض جودة الأطعمة المجمدة.
- من خلال موقعنا الإلكتروني الخاص بجهازك سوف تتعرف في البيانات الفنية على مدة تخزين المواد المجمدة عند حدوث أعطال.

ملاحظات

- لا تفتح الجهاز إلا بأقل ما يمكن ولا تقم بتخزين أطعمة أخرى.
- تحقق من جودة الأطعمة فور انقطاع الكهرباء.
- تخلص من الأطعمة المجمدة التي ذاب تجمدها وكانت درجة حرارتها أعلى من 5 °م.
- قم بطهي الأطعمة المجمدة المذاب تجمدها قليلاً أو قم بتحميرها وتناولها أو أعد تجميدها.

14.2 تنفيذ اختبار ذاتي للجهاز

- يشتمل جهازك على خاصية الاختبار الذاتي للجهاز لعرض الأعطال التي يمكن لخدمة العملاء معالجتها.
1. قم بإيقاف الجهاز. ←صفحة 48
 2. افصل الجهاز عن الشبكة الكهربائية. اسحب القابس الكهربائي لكابل التيار أو افصل المصهر الموجود في صندوق المصاهر.
 3. أعد توصيل الجهاز بالكهرباء بعد 5 دقائق. ←صفحة 44
 4. قم بتشغيل الجهاز. ←صفحة 48
 5. في غضون دقيقتين من التشغيل، اضغط على freezer لمدة 3 ثوان، حتى تصدر إشارة صوتية.
- ✓ يبدأ الاختبار الذاتي للجهاز.

15.2 التخلص من الجهاز القديم

يمكن إعادة تدوير المواد الخام الثمينة من خلال التخلص من الجهاز بطريقة تحافظ على البيئة.

⚠ تحذير

خطر حدوث أضرار صحية!

يمكن أن يتعرّض الأطفال للاحتجاز داخل الجهاز وتكون هناك خطورة على حياتهم.

• تجنباً لتسلل الأطفال للداخل لا تقم بسحب الأرفف والحاويات من الجهاز.

• احرص على بقاء الأطفال بعيداً عن الجهاز التالف.

⚠ تحذير

خطر نشوب حريق!

في حالة حدوث ضرر بالمواسير يمكن أن تتسرب مادة تبريد قابلة للاشتعال وغازات ضارة وتشتعل.

• احرص على عدم إلحاق أضرار بأنايب دورة التبريد أو العازل.

1. انزع القابس الكهربائي من كابل الكهرباء.

2. اقطع كابل الكهرباء.

3. تخلّص من الجهاز بطريقة لا تضر بالبيئة.

يمكنك الحصول على المعلومات الخاصة بأحدث سبل التخلص من المخلفات لدى تاجرِكَ المتخصص أو لدى إدارة البلدية أو المدينة التي تتبع لها.

الخاصة بالأجهزة الكهربائية والإلكترونية القديمة (waste electrical and electronic equipment - WEEE).

وهذه المواصفة تحدد الإطار العام لقواعد

تسري في جميع دول

الاتحاد الأوروبي بخصوص استعادة الأجهزة القديمة وإعادة استغلالها.

16 خدمة العملاء

يمكن الحصول على قطع غيار أصلية ذات صلة بالوظيفة وفقاً لتوجيهات التصميم الإيكولوجي ذات الصلة من خدمة العملاء لمدة 10 سنوات على الأقل من تاريخ استلام العميل للسلعة أو تاريخ تفعيل الضمان للسلع التي تحتاج إلى تركيب أو تشغيل¹ سوف تحصل على معلومات مفصلة حول فترة الضمان وشروطه في بلدك لدى خدمة العملاء الخاصة بنا أو لدى التاجر الذي تتعامل معه أو على موقعنا الإلكتروني.

عندما تتواصل مع خدمة العملاء، سوف تكون بحاجة إلى رقم المنتج (E-Nr.) ورقم الصنع (FD-Nr.) الخاصين بجهازك. تجد بيانات الاتصال بخدمة العملاء في فهرس خدمة العملاء المرفق أو على موقعنا الإلكتروني.

16.1 رقم المنتج (E-Nr.) ورقم الصنع (FD)

تجد رقم المنتج (E-Nr.) ورقم الصنع (FD) على لوح الصنع للجهاز.

الشكل 1/3

هذا الجهاز مطابق للمواصفة الأوروبية 2012/19/ المجموعة الاقتصادية الأوروبية



كي تجد بيانات جهازك ورقم هاتف
خدمة العملاء مجددًا بسرعة، يمكنك
تدوين البيانات.

17 البيانات التقنية

تجد المعلومات حول مادة التبريد
والسعة الصافية وغير ذلك من
البيانات الفنية على لوحة الصنع.
← الشكل 1/3



Thank you for buying a Bosch Home Appliance!

Register your new device on MyBosch now and profit directly from:

- **Expert tips & tricks for your appliance**
- **Warranty extension options**
- **Discounts for accessories & spare-parts**
- **Digital manual and all appliance data at hand**
- **Easy access to Bosch Home Appliances Service**

Free and easy registration – also on mobile phones:

www.bosch-home.com/welcome



Looking for help? You'll find it here.

Expert advice for your Bosch home appliances, help with problems or a repair from Bosch experts.

Find out everything about the many ways Bosch can support you:

www.bosch-home.com/service

Contact data of all countries are listed in the attached service directory.

BSH Hausgeräte GmbH

Carl-Wery-Straße 34

81739 München, GERMANY

www.bosch-home.com

A Bosch Company



8001229127 (020727)

en, ar