



BOSCH

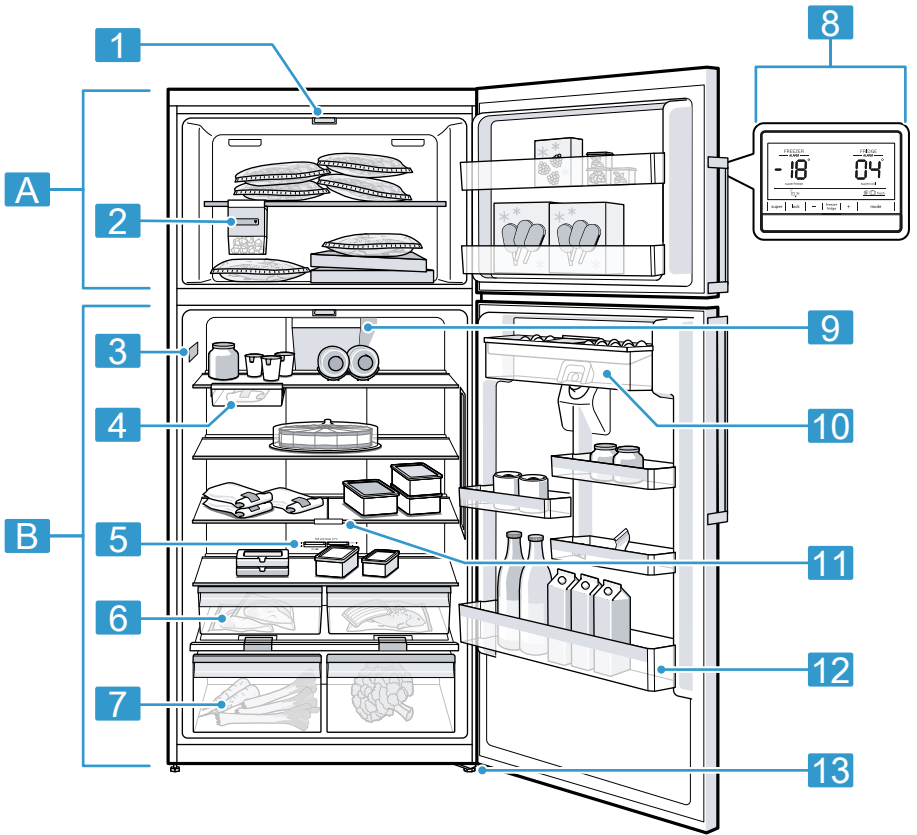


Register your
new device on
MyBosch now and
get free benefits:
[bosch-home.com/
welcome](https://bosch-home.com/welcome)

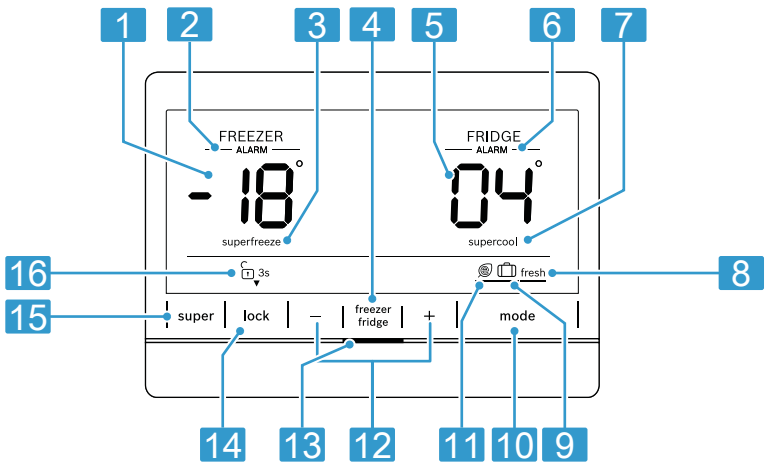
Fridge-freezer

KDD86..

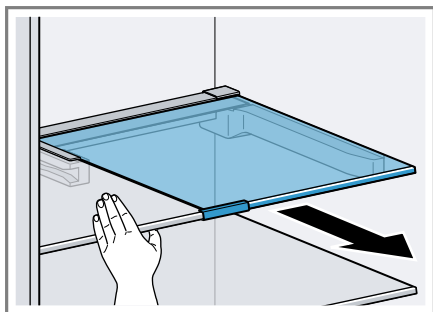
[en]	Information for Use	Fridge-freezer	7
[ru]	Руководство пользователя	Холодильно-морозильная комбинация	35
[kk]	Пайдаланушы нұсқаулықтар	Салқындату және мұздату құрамдастырылуы	66
[uz]	Foydalanuvchi qo'llanmasi		96
[ar]	دليل المستخدم	ثلاجة التبريد والتجميد	125



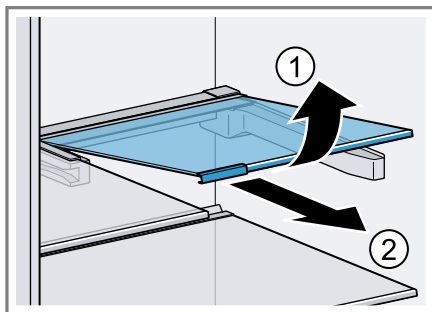
1



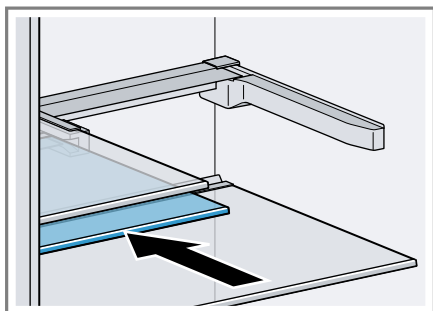
2



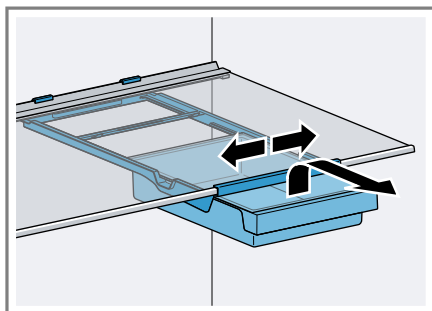
3



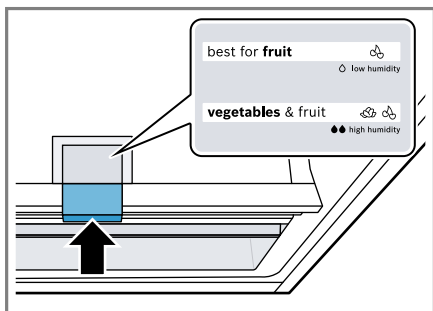
4



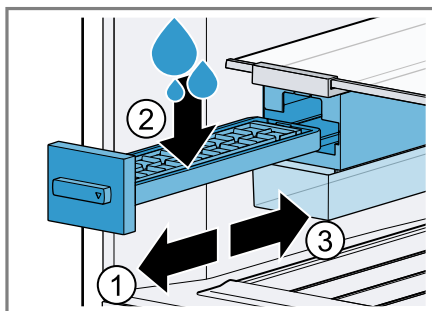
5



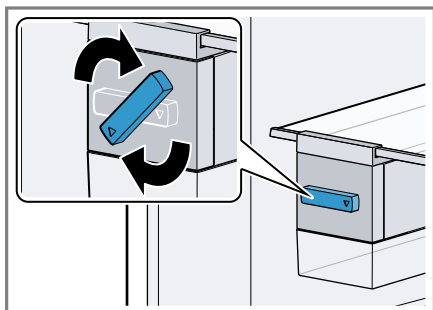
6



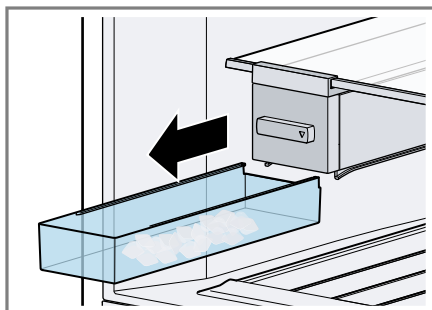
7



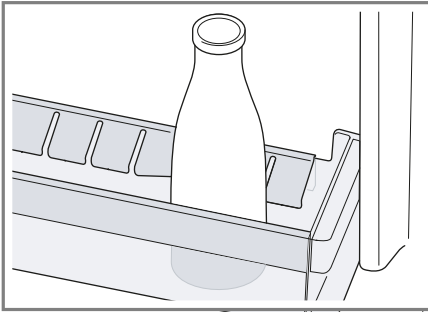
8



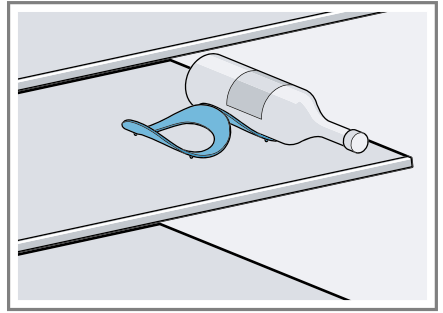
9



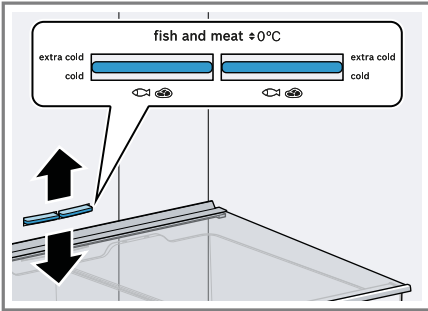
10



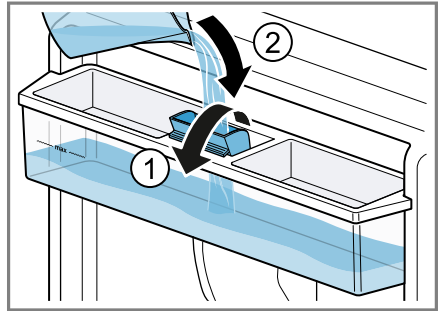
11



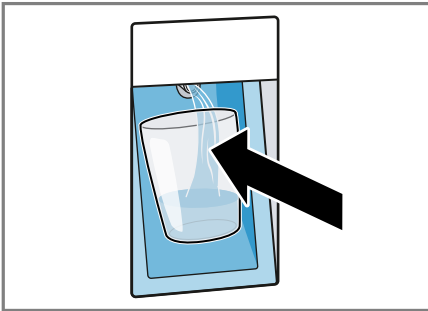
12



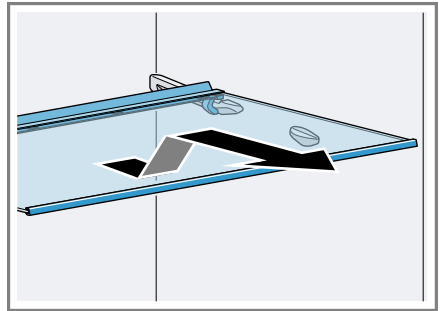
13



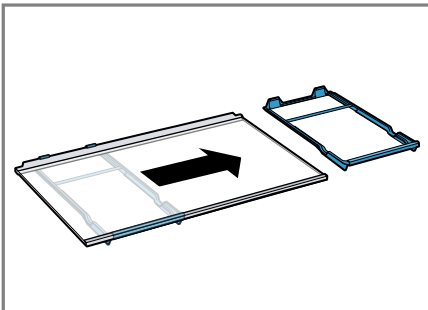
14



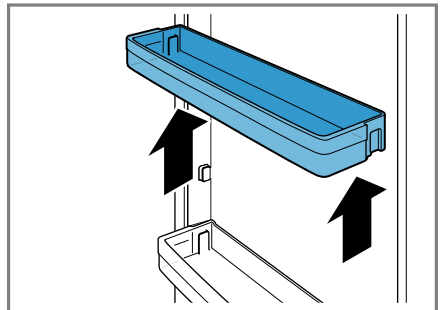
15



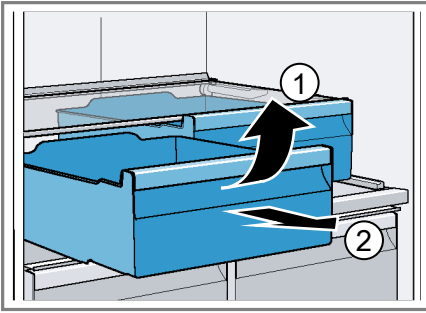
16



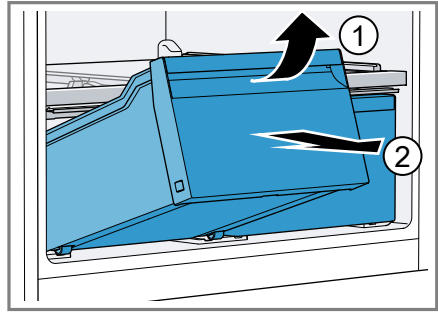
17



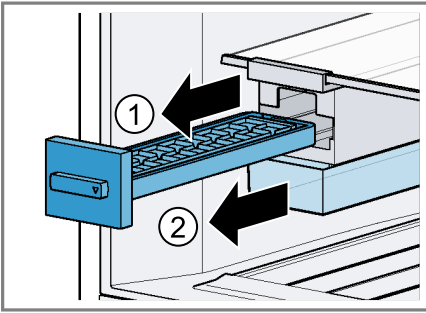
18



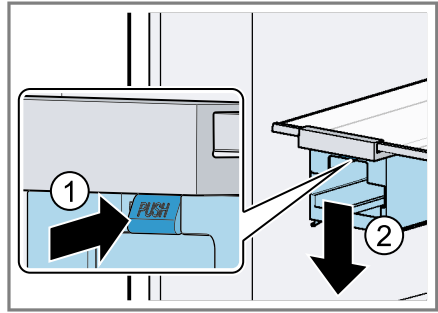
19



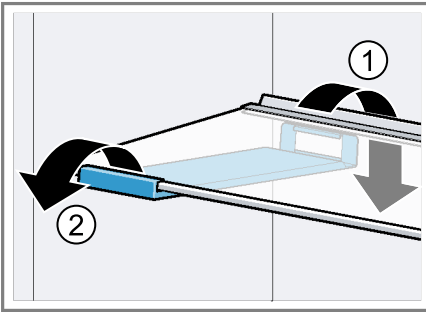
20



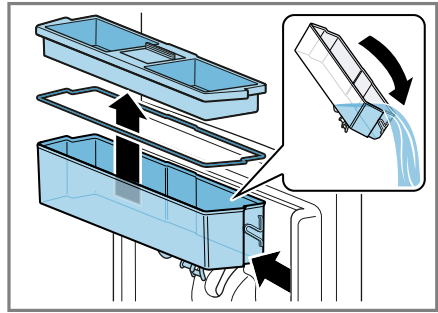
21



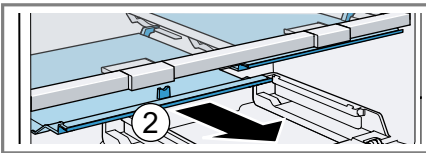
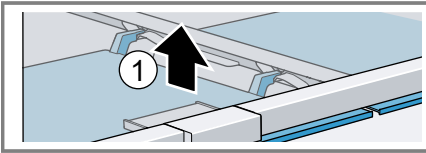
22



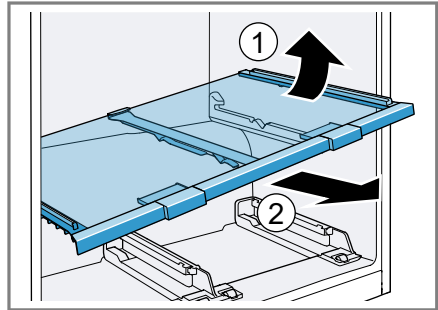
23



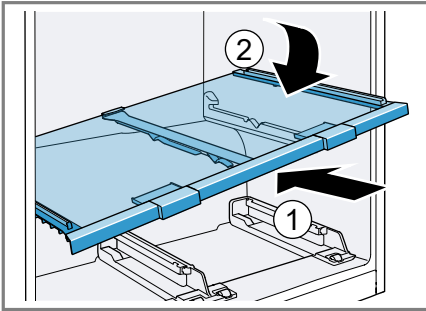
24



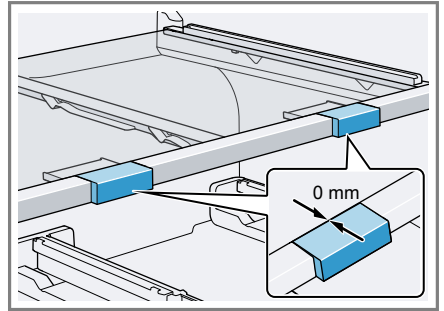
25



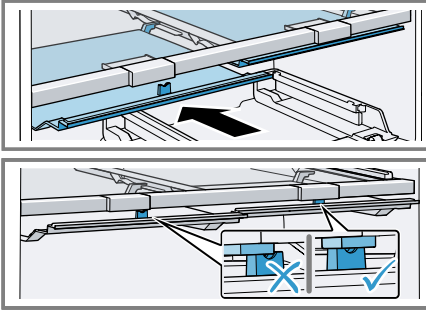
26



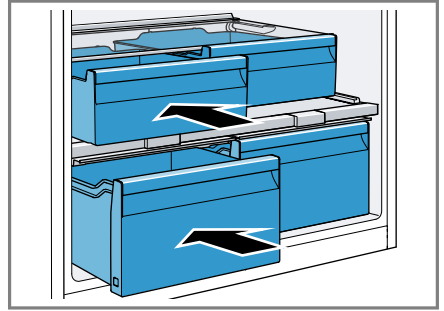
27



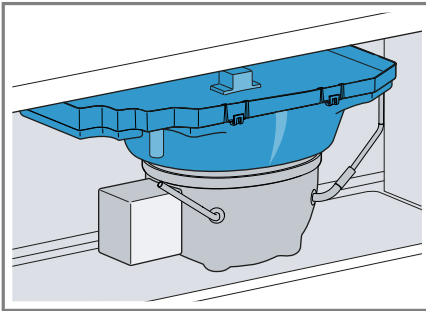
28



29



30



31

Further information and explanations are available online:



Table of contents

1 Safety	9	6.6 Door rack.....	19
1.1 General information.....	9	6.7 Ice cube maker	19
1.2 Intended use.....	9	6.8 Accessories	20
1.3 Restriction on user group.....	9	7 Basic operation	20
1.4 Safe transport.....	9	7.1 Switching on the appliance	20
1.5 Safe installation	10	7.2 Operating tips.....	21
1.6 Safe use	11	7.3 Switching off the appliance	21
1.7 Damaged appliance.....	13	7.4 Setting the temperature.....	21
2 Preventing material damage	15	7.5 Button lock (childproof lock)...	21
3 Environmental protection and saving energy	15	8 Additional functions	22
3.1 Disposing of packaging	15	8.1 Super cooling	22
3.2 Saving energy.....	15	8.2 Super freezing	22
4 Installation and connection	16	8.3 Holiday mode	22
4.1 Scope of delivery.....	16	8.4 Energy-saving mode.....	22
4.2 Criteria for the installation location.....	16	8.5 Freshness mode.....	23
4.3 Installing the appliance	17	9 Alarm	23
4.4 Preparing the appliance for the first time.....	17	9.1 Door alarm	23
4.5 Connecting the appliance to the electricity supply.....	17	9.2 Temperature alarm.....	23
5 Familiarising yourself with your appliance	17	10 Refrigerator compartment	24
5.1 Appliance	17	10.1 Tips for storing food in the refrigerator compartment	24
5.2 Control panel.....	18	10.2 Chill zones in the refrigerator compartment.....	24
6 Features	18	11 Freezer compartment	24
6.1 Shelf.....	18	11.1 Freezing capacity	25
6.2 Variable shelf.....	18	11.2 Fully utilising the freezer compartment volume	25
6.3 Snack container	19	11.3 Tips for storing food in the freezer compartment.....	25
6.4 Storage container.....	19	11.4 Tips for freezing fresh food ...	25
6.5 Fruit and vegetable container with humidity control	19		

11.5 Shelf life of frozen food at -18 °C.....	25
11.6 Defrosting methods for frozen food	26
12 Water system.....	26
12.1 Water dispenser	26
13 Defrosting.....	27
13.1 Defrosting in the refriger- ator compartment.....	27
13.2 Defrosting in the freezer compartment	27
14 Cleaning and servicing.....	27
14.1 Preparing the appliance for cleaning	27
14.2 Cleaning the appliance	27
14.3 Removing the fittings.....	28
14.4 Removing appliance com- ponents.....	28
15 Troubleshooting.....	30
15.1 Power failure.....	33
15.2 Conducting an appliance self-test	33
16 Storage and disposal.....	33
16.1 Taking the appliance out of operation	33
16.2 Disposing of old appliance ...	34
17 Customer Service.....	34
17.1 Product number (E-Nr.) and production number (FD).....	34
18 Technical data	34



1 Safety

Observe the following safety instructions.

1.1 General information

- Read this instruction manual carefully.
- Keep the instruction manual and the product information safe for future reference or for the next owner.
- Do not connect the appliance if it has been damaged in transit.

1.2 Intended use

Only use this appliance:

- for chilling and freezing food, making ice and dispensing water.
- in private households and in enclosed spaces in a domestic environment.
- Up to an altitude of 2000 m above sea level.

1.3 Restriction on user group

This appliance may be used by children aged 8 or over and by people who have reduced physical, sensory or mental abilities or inadequate experience and/or knowledge, provided that they are supervised or have been instructed on how to use the appliance safely and have understood the resulting dangers.

Do not let children play with the appliance.

Cleaning and user maintenance must not be performed by children unless they are being supervised.

1.4 Safe transport

WARNING – Risk of injury!

The high weight of the appliance may result in injury when lifted.

- ▶ Do not lift the appliance on your own.

1.5 Safe installation

⚠ WARNING – Risk of electric shock!

Incorrect installation is dangerous.

- ▶ Connect and operate the appliance only in accordance with the specifications on the rating plate.
- ▶ Connect the appliance to a power supply with alternating current only via a properly installed socket with earthing.
- ▶ The protective conductor system of the domestic electrical installation must be properly installed.
- ▶ Never equip the appliance with an external switching device, e.g. a timer or remote control.
- ▶ When the appliance is installed, the mains plug of the power cord must be freely accessible. If free access is not possible, an isolating switch must be integrated into the permanent electrical installation according to the installation regulations.
- ▶ When installing the appliance, check that the power cable is not trapped or damaged.

If the insulation of the power cord is damaged, this is dangerous.

- ▶ Never let the power cord come into contact with heat sources.

⚠ WARNING – Risk of explosion!

If the appliance's ventilation openings are sealed, a leak in the refrigeration circuit may result in a flammable mixture of gas and air.

- ▶ Keep ventilation openings, in the appliance enclosure or in the built-in structure, clear of obstruction.

⚠ WARNING – Risk of fire!

It is dangerous to use an extended power cord and non-approved adapters.

- ▶ Do not use extension cables or multiple socket strips.
- ▶ Only use adapters and power cords approved by the manufacturer.
- ▶ If the power cord is too short and a longer one is not available, please contact an electrician to have the domestic installation adapted.

Portable multiple socket strips or portable power supply units may overheat and cause a fire.

- ▶ Do not place portable multiple socket strips or power supply units on the back of the appliance.

1.6 Safe use

⚠ WARNING – Risk of electric shock!

An ingress of moisture can cause an electric shock.

- ▶ Only use the appliance in enclosed spaces.
- ▶ Never expose the appliance to intense heat or humidity.
- ▶ Do not use steam- or high-pressure cleaners to clean the appliance.

⚠ WARNING – Risk of suffocation!

Children may put packaging material over their heads or wrap themselves up in it and suffocate.

- ▶ Keep packaging material away from children.
- ▶ Do not let children play with packaging material.

Children may breathe in or swallow small parts, causing them to suffocate.

- ▶ Keep small parts away from children.
- ▶ Do not let children play with small parts.

⚠ WARNING – Risk of explosion!

If the cooling circuit is damaged, flammable refrigerant may escape and explode.

- ▶ To accelerate the defrosting process, do not use any other mechanical devices or means other than those recommended by the manufacturer.
- ▶ If food is stuck to the freezer compartment, loosen it with a blunt implement such as the handle of a wooden spoon.

Products which contain flammable propellants and explosive substances may explode, e.g. spray cans.

- ▶ Do not store products which contain flammable propellants (e.g. spray cans) or explosive substances in the appliance.

⚠ WARNING – Risk of fire!

Electrical devices within the appliance may cause a fire, e.g. heaters or electric ice makers.

- ▶ Do not operate electrical devices within the appliance.

⚠ WARNING – Risk of injury!

Containers that contain carbonated drinks may burst.

- ▶ Do not store containers that contain carbonated drinks in the freezer compartment.

Injury to the eyes caused by escaping flammable refrigerant and hazardous gases.

- ▶ Do not damage the tubes of the refrigerant circuit or the insulation.

The appliance may tip.

- ▶ Do not stand or support yourself on the base, runners or doors.

⚠ WARNING – Risk of burns!

Individual parts on the back of the appliance become hot during operation.

- ▶ Never touch these hot parts.

⚠ WARNING – Risk of cold burns!

Contact with frozen food and cold surfaces may cause burns by refrigeration.

- ▶ Never put frozen food straight from the freezer compartment into your mouth.
- ▶ Avoid prolonged contact of the skin with frozen food, ice and surfaces in the freezer compartment.

⚠ CAUTION – Risk of harm to health!

To prevent food from being contaminated, you must observe the following instructions.

- ▶ If the door is open for an extended period of time, this may lead to a considerable temperature increase in the compartments of the appliance.
- ▶ Regularly clean the surfaces that may come into contact with food and accessible drain systems.

- ▶ Clean the water tank if it has not been used for 48 hours. Flush the water system if water has not been drawn for five days.
- ▶ Store raw meat and fish in suitable containers in the refrigerator so that they do not touch or drip on other food.
- ▶ If the fridge/freezer is empty for an extended period of time, switch off the appliance, defrost it, clean it and leave the door open to prevent the formation of mould.

Metal or metal-style parts in the appliance may contain aluminium. If acidic food comes into contact with aluminium in the appliance, aluminium foil ions may pass into the food.

- ▶ Do not consume soiled food.

1.7 Damaged appliance

WARNING – Risk of electric shock!

If the appliance or the power cord is damaged, this is dangerous.

- ▶ Never operate a damaged appliance.
- ▶ Never pull on the power cord to unplug the appliance. Always unplug the appliance at the mains.
- ▶ If the appliance or the power cord is damaged, immediately unplug the power cord or switch off the fuse in the fuse box.
- ▶ Call customer services. → *Page 34*

Improper repairs are dangerous.

- ▶ Repairs to the appliance should only be carried out by trained specialist staff.
- ▶ Only use genuine spare parts when repairing the appliance.
- ▶ If the power cord of this appliance is damaged, it must be replaced by the manufacturer, the manufacturer's Customer Service or a similarly qualified person in order to prevent any risk.

WARNING – Risk of fire!



If the tubes are damaged, flammable refrigerant and harmful gases may escape and ignite.

- ▶ Keep naked flames and ignition sources away from the appliance.

en Safety

- ▶ Ventilate the room.
- ▶ Switch off the appliance. → *Page 21*
- ▶ Unplug the appliance from the mains or switch off the circuit breaker in the fuse box.
- ▶ Call after-sales service. → *Page 34*

2 Preventing material damage

ATTENTION!

If not rolling freely, the appliance's castors may damage the floor when the appliance is moved.

- ▶ Transport the appliance using a sack truck.
- ▶ Use floor protection when moving the appliance, and do not move it in a zigzag fashion.

Using the appliance, base, runners or doors as a seat or climbing surface may damage the appliance.

- ▶ Do not stand or lean on the appliance, base, runners or doors.

Contamination with oil or fat may cause plastic parts and door seals to become porous.

- ▶ Keep plastic parts and door seals free of oil and grease.

Metal or metal-style parts in the appliance may contain aluminium. Aluminium reacts when it comes into contact with acidic foods.

- ▶ Do not store unpackaged food in the appliance.

If you clean fittings and accessories in the dishwasher, this may cause them to become deformed or discoloured.

- ▶ Never clean fittings and accessory in the dishwasher.

3 Environmental protection and saving energy

3.1 Disposing of packaging

The packaging materials are environmentally compatible and can be recycled.

- ▶ Sort the individual components by type and dispose of them separately.

3.2 Saving energy

If you follow these instructions, your appliance will use less power.

Selecting the installation location

- Keep the appliance out of direct sunlight.
- Install the appliance as far away as possible from heating elements, cookers and other heat sources:
 - Maintain a 30 mm clearance to electric or gas cookers.
 - Maintain a 300 mm clearance to oil or solid-fuel cookers.
- Make sure there is a distance of 50 mm between the side wall and the appliance.
- Never cover or block the external ventilation openings.

Saving energy during use

Note: The arrangement of the fittings does not affect the energy consumption of the appliance.

- Open the appliance only briefly and then close it carefully.
- Never cover or block the interior ventilation openings or the exterior ventilation openings.
- Transport purchased food in a cool bag and place in the appliance quickly.

en Installation and connection

- Allow warm food and drinks to cool down before storing them.
- Thaw frozen food in the refrigerator compartment to utilise the low temperature of the food.
- Always leave some space between the food and to the back panel.

Standby mode

If the appliance is not being used, the display automatically switches to standby mode.

In standby mode, the brightness of the control panel is reduced and the status display lights up white.

4 Installation and connection

4.1 Scope of delivery

After unpacking all parts, check for any transport damage and for completeness of delivery.

If you have any complaints, contact your dealer or our after-sales service → Page 34.

The delivery consists of the following:

- Free-standing appliance
- Equipment and accessories¹
- Installation material
- Installation instructions
- User manual
- Customer service directory
- Warranty enclosure²
- Energy label
- Information on energy consumption and noises

4.2 Criteria for the installation location

WARNING **Risk of explosion!**

If the appliance is in a space that is too small, a leak in the refrigeration circuit may result in a flammable mixture of gas and air.

- ▶ Only install the appliance in a space with a volume of at least 1 m³ per 8 g refrigerant. The volume of refrigerant is indicated on the rating plate. → Fig. **1**/**3**

The weight of the appliance ex works may be up to 110 kg depending on the model.

The subfloor must be sufficiently stable to bear the weight of the appliance.

Permitted room temperature

The permitted room temperature depends on the appliance's climate class.

The climate class can be found on the rating plate. → Fig. **1**/**3**

Climate class	Permitted room temperature
SN	10 °C to 32 °C
N	16 °C to 32 °C
ST	16 °C to 38 °C
T	16 °C to 43 °C

The appliance is fully functional within the permitted room temperature.

If an appliance with climate class SN is operated at colder room temperatures, the appliance will not be damaged up to a room temperature of 5 °C.

¹ Depending on the appliance specifications

² Not in all countries

Over-and-under and side-by-side installation

If you want to install 2 refrigerating appliances one over the other or side by side, you must maintain a clearance of at least 150 mm between the appliances. Selected appliances can be installed without a minimum clearance. Ask your dealer or kitchen planner about this.

4.3 Installing the appliance

- ▶ Install the appliance in accordance with the enclosed installation instructions.

4.4 Preparing the appliance for the first time

1. Remove the informative material.
2. Remove the protective foil and transit bolts, e.g. remove the adhesive strips and carton.
3. Clean the appliance for the first time. → *Page 27*

4.5 Connecting the appliance to the electricity supply

1. Insert the mains plug of the appliance's power cable in a socket nearby.

The connection data of the appliance can be found on the rating plate. → *Fig. 1/3*

2. Check the mains plug is inserted properly.
- ✓ The appliance is now ready for use.

5 Familiarising yourself with your appliance

5.1 Appliance

You can find an overview of the parts of your appliance here.

→ *Fig. 1*



A	Freezer compartment → <i>Page 24</i>
B	Refrigerator compartment → <i>Page 24</i>
1	Lighting
2	Ice cube maker → <i>Page 19</i>
3	Rating plate → <i>Page 34</i>
4	Snack container → <i>Page 19</i>
5	Temperature controller (storage container) → <i>Page 21</i>
6	Storage container → <i>Page 19</i>
7	Fruit and vegetable container with humidity control → <i>Page 19</i>
8	Control panel → <i>Page 18</i>
9	Interior ventilation opening (refrigerator compartment)
10	Water dispenser → <i>Page 26</i>
11	Variable shelf → <i>Page 18</i>
12	Door storage compartment for large bottles → <i>Page 19</i>
13	Screw foot

Note: Deviations between your appliance and the diagrams may differ with regard to their features and size.

5.2 Control panel

You can use the control panel to configure all functions of your appliance and to obtain information about the operating status.

→ Fig. 2

- 1 Displays the set temperature for the freezer compartment in °C.
- 2 **ALARM** lights up when the temperature alarm is switched on.
- 3 **superfreeze** lights up when Super freezing is switched on.
- 4 freezer
fridge is used to select a compartment in order to change the temperature or switch on certain additional functions.
- 5 Displays the set temperature for the refrigerator compartment in °C.
- 6 **ALARM** lights up when the door alarm is switched on.
- 7 **supercool** lights up when Super cooling is switched on.
- 8 **fresh** lights up when the freshness mode is switched on.
- 9  lights up when holiday mode is switched on.
- 10 **mode** is used to select a mode.
- 11  lights up when the energy-saving mode is switched on.
- 12 **+/-** sets the temperature of the selected compartment.
- 13 The status indicator shows the operating status of the appliance.
- 14 **lock** switches the button lock for the control panel on or off.

15 **super** switches **supercool** and **superfreeze** on or off in the selected compartment.

16  ^{3s}/ ^{3s} lights up if the button lock is switched on or off.

6 Features

The features of your appliance depend on the model.

6.1 Shelf

To vary the shelf as required, you can remove the shelf and re-insert it elsewhere.

→ "Removing the shelf", Page 28

6.2 Variable shelf

Use the variable shelf to store tall items, e.g. cans or bottles, on the shelf below.

Using the variable shelf

1. Hold the left-hand section of the variable shelf and pull out the right-hand section of the variable shelf until the clip is released.
→ Fig. 3
2. Lift the front of the right-hand section of the variable shelf ① and remove it ②.
→ Fig. 4
3. Slide the right-hand section of the variable shelf as far as it will go below the left-hand section of the variable shelf.
→ Fig. 5

6.3 Snack container

Store packaged food or small snacks in the snack container.

You can remove the snack container.

To do this, pull out and remove the snack container. You can move the holder for the snack container.

→ Fig. 6

6.4 Storage container

The temperatures in the storage container are lower than in the refrigerator compartment. Temperatures below 0 °C may occur occasionally.

In order to reach temperatures close to 0 °C in the storage container, set the refrigerator compartment temperature to 2 °C. → Page 21

Use the lower temperatures in the storage container to store highly perishable food, e.g. fish, meat and sausages.

6.5 Fruit and vegetable container with humidity control

Store fresh fruit and vegetables loose in the fruit and vegetable container.

Cover any chopped fruit and vegetables, or store in air-tight packaging.

You can adjust the humidity in the fruit and vegetable container using the humidity controller and a special seal. This allows fresh fruit and vegetables to be stored for up to twice as long as with conventional storage.

→ Fig. 7

The air humidity in the fruit and vegetable container can be set according to the type and amount of food to be stored by pressing the humidity controller:

- Low humidity ◊ required when primarily storing fruit or mixed items, or if the appliance is very full.
- High humidity ◆◆ required when primarily storing vegetables or when the appliance is not very full.

Condensation may form in the fruit and vegetable container depending on the food and quantity stored.

Remove the condensation with a dry cloth and adjust the air humidity to a lower setting using the humidity controller.

To ensure that the quality and aroma are retained, store fruit and vegetables that are sensitive to cold outside of the appliance at temperatures of approx. 8 °C to 12 °C, e.g. pineapple, bananas, citrus fruits, cucumbers, courgettes, peppers, tomatoes and potatoes.

6.6 Door rack

To adjust the door rack as required, you can remove the door rack and re-insert elsewhere.

→ "Removing door rack", Page 28

6.7 Ice cube maker

Use the ice cube maker to make ice cubes out of drinking water.

Making ice cubes

Use only drinking water to make ice cubes.

1. Remove the ice cube tray ①, fill $\frac{3}{4}$ full with drinking water ② and re-insert ③.

→ Fig. 8

Note: If it is filled with too much drinking water, this may impair the function of the ice cube maker.

The ice cubes cannot be removed individually from the ice cube tray. Too much drinking water was added and is running into the ice cube container, causing any ice cubes to freeze together.

2. When the ice cubes are frozen, rotate the knob on the ice cube tray several times in a clockwise direction and release it.

→ Fig. 9

- ✓ The ice cubes will loosen and fall into the ice cube container.

3. Pull out the ice storage container and remove the ice cubes.

→ Fig. 10

6.8 Accessories

Use original accessories. These have been made especially for your appliance.

The accessories for your appliance depend on the model.

Egg tray

Store eggs safely on the egg tray.

Bottle holder

The bottle holder prevents bottles from falling over when the appliance door is opened and closed.

→ Fig. 11

Variable bottle shelf

Store bottles securely on the variable bottle shelf.

→ Fig. 12

Ice cube tray

Use the ice cube tray to make ice cubes.

Making ice cubes

Use only drinking water to make ice cubes.

1. Fill the ice cube tray with drinking water up to $\frac{3}{4}$ and place in the freezer compartment.

If the ice cube tray is stuck to the freezer compartment, loosen it with a blunt implement such as the handle of a wooden spoon.

2. To loosen the ice cubes, twist the ice cube tray slightly or hold it briefly under flowing water.

7 Basic operation

7.1 Switching on the appliance

1. Electrically connect the appliance.
→ Page 17

Note: If the appliance has been previously switched off using the control panel, press and hold + for ten seconds.

- ✓ The appliance begins to cool.
 - ✓ A warning tone sounds, the temperature display (freezer compartment) flashes, **ALARM** lights up and the status display lights up red because the freezer compartment is still too warm.
2. Switch off the warning tone using freezer fridge .
 - ✓ **ALARM** goes out as soon as the set temperature has been reached.
 3. Set the required temperature.
→ Page 21

7.2 Operating tips

- Once you have switched on the appliance, the set temperature is only reached after several hours. Do not put any food in the appliance until the set temperature has been reached.
- When you close the door, a vacuum may be created. The door is then difficult to open again. Wait a moment until the vacuum is offset.
- The temperature in the appliance varies due to the following conditions:
 - How often the appliance is opened
 - Load capacity
 - Temperature of newly stored food
 - Ambient temperature
 - Direct sunlight

7.3 Switching off the appliance

- ▶ Press and hold **+** for ten seconds.

7.4 Setting the temperature

Setting the refrigerator compartment temperature

1. Select the refrigerator compartment using freezer fridge.
2. Press **+/-** repeatedly until the temperature display (refrigerator compartment) shows the required temperature setting.

To reach the set temperature, slide the temperature controller for the storage container to a position that is one third from the bottom.

→ Page 21

The recommended temperature in the refrigerator compartment is 4 °C.

Setting the storage container temperature

1. To reduce the temperature, slide the temperature controller in the **extra cold** direction.
2. To increase the temperature, slide the temperature controller in the **cold** direction.

→ Fig. 13


Setting the freezer compartment temperature

1. Select the freezer compartment with freezer fridge.
2. Press **+/-** repeatedly until the temperature display (freezer compartment) shows the required temperature setting.
The recommended temperature in the freezer compartment is -18 °C.


7.5 Button lock (childproof lock)

The button lock prevents the appliance from being operated accidentally or incorrectly while running.

Switching on the button lock

- ▶ Press and hold **lock** for three seconds.
- ✓  3s lights up.

Switching off the button lock

- ▶ Press and hold **lock** for three seconds.
- ✓  3s lights up.

8 Additional functions

Find out which additional functions can be used for your appliance.

8.1 Super cooling

With Super cooling, the refrigerator compartment cools as cold as possible.

Switch on Super cooling before placing large quantities of food.

Note: When Super cooling is switched on, increased noise may occur.

Switching on Super cooling

- ▶ Press **super** repeatedly until **supercool** lights up.

Note: After approx. 6 hours, the appliance switches to normal operation.

Switching off Super cooling

- ▶ Press **super**.
- ✓ The previously set temperature is displayed.

8.2 Super freezing

With Super freezing, the freezer compartment cools as cold as possible.

Switch on Super freezing four to six hours before placing food weighing 2 kg or more into the freezer compartment.

In order to utilise the freezer capacity, use Super freezing.

→ "Prerequisites for freezing capacity", Page 25

Note: When Super freezing is switched on, increased noise may occur.

Switching on Super freezing

- ▶ Press **super** repeatedly until **superfreeze** lights up.

Note: After approx. 54 hours, the appliance switches to normal operation.

Switching off Super freezing

- ▶ Press **super** repeatedly until **superfreeze** goes out.

8.3 Holiday mode

If you are going to be away for a long time, you can switch on energy-saving holiday mode on the appliance.

CAUTION

Risk of harm to health!

The refrigerator compartment heats up while the holiday mode is switched on. The increased temperature may cause bacteria to increase and spoil the food.

- ▶ When the holiday mode is switched on, do not store any food in the refrigerator compartment.

The appliance automatically sets the temperatures.

Refrigerator compartment	14 °C
Freezer compartment	Temperature remains unchanged

Switching on holiday mode

- ▶ Press **mode** repeatedly until is  highlighted.

Switching off holiday mode

- ▶ Press **mode** repeatedly until no mode is highlighted.

8.4 Energy-saving mode

You can set the appliance to save energy with the energy-saving mode. The appliance automatically sets the temperatures.

Refrigerator com- 8 °C
partment

Freezer compart- -16 °C
ment

Switching on energy-saving mode

- ▶ Press **mode** repeatedly until is  highlighted.

Switching off energy-saving mode

- ▶ Press **mode** repeatedly until no mode is highlighted.

8.5 Freshness mode

In order to keep the food fresh for longer, you can switch on the freshness mode on the appliance. The appliance automatically sets the temperatures.

Refrigerator com- 2 °C
partment

Freezer compart- Temperature re-
ment mains un-
changed

Switching freshness mode on

- ▶ Press **mode** repeatedly until is **fresh** highlighted.

Switching off freshness mode

- ▶ Press **mode** repeatedly until no mode is highlighted.

9 Alarm

9.1 Door alarm

If the appliance door is open for a while, the door alarm switches on. A warning tone sounds, the status display lights up red and **ALARM** appears for the affected compartment.

Switching off the door alarm

- ▶ Close the appliance door or press freezer fridge.
- ✓ The warning tone is switched off.

9.2 Temperature alarm

If the freezer compartment becomes too warm, the temperature alarm is switched on.

A warning tone sounds, the temperature display (freezer compartment) flashes, **ALARM** appears and the status display lights up red.

CAUTION

Risk of harm to health!

During the thawing process, bacteria may multiply and spoil the frozen food.

- ▶ Do not refreeze food after it has been defrosted or started to defrost.
- ▶ Refreeze food only after cooking.
- ▶ These items should no longer be stored for the maximum storage period.

The temperature alarm can be switched on in the following cases:

- The appliance is switched on. Do not store any food until the appliance has reached the set temperature.
- Large quantities of fresh food are being placed inside. Switch on Super freezing before placing large quantities of food in the appliance.
- The freezer compartment door is open for too long. Check whether the frozen food has defrosted or thawed.

Switching off the temperature alarm

- ▶ Press freezer fridge.
- ✓ The warning tone is switched off.

en Refrigerator compartment

- ✓ The temperature display (freezer compartment) briefly indicates the warmest temperature reached in the freezer compartment. The temperature display (freezer compartment) then indicates the set temperature again.
- ✓ From this time on, the warmest temperature is measured again and saved.

10 Refrigerator compartment

You can keep meat, sausage, fish, dairy products, eggs, prepared meals and pastries in the refrigerator compartment.

The temperature can be set from 2 °C to 8 °C.

The refrigerator compartment can also be used to store highly perishable foods in the short to medium term. The lower the selected temperature, the longer the food remains fresh.

10.1 Tips for storing food in the refrigerator compartment

- Only store food when fresh and undamaged.
- Store food covered or in air-tight packaging.
- To avoid impeding the circulation of air and to prevent food from freezing, do not place food in front of the inner ventilation openings or in direct contact with the back wall.
- Allow hot food and drinks to cool down first before placing in the appliance.
- Observe the best-before date or use-by date specified by the manufacturer.

10.2 Chill zones in the refrigerator compartment

The air circulation in the refrigerator compartment creates different chill zones.

Coldest zone

The coldest zone is between the arrow stamped on the side and the shelf underneath.

Tip: Store highly perishable food such as fish, sausages and meat in the coldest zone.

Warmest zone

The warmest zone is at the very top of the door.

Tip: Store food that does not spoil easily in the warmest zone, e.g. hard cheese and butter. Cheese can then continue to release its aroma and the butter will still be easy to spread.

11 Freezer compartment

You can store frozen food, freeze food and make ice cubes in the freezer compartment.

The temperature can be set from -16 °C to -24 °C.

Long-term storage of food should be at -18 °C or lower.

The freezer compartment can be used to store perishable food long-term. The low temperatures slow down or stop the spoilage.

11.1 Freezing capacity

The freezing capacity indicates the quantity of food that can be frozen right through to the centre within a specific period of time. Information on freezing capacity can be found on the rating plate.

→ Fig. **1** / **3**

Prerequisites for freezing capacity

1. Approx. 24 hours before placing fresh food in the appliance, switch on Super freezing.
→ "Switching on Super freezing", Page 22
2. Fill the front area of the freezer compartment shelf with food first.
3. If the front area of the freezer compartment shelf does not have enough space, store the remaining food in the front area of the freezer compartment floor.

11.2 Fully utilising the freezer compartment volume

Learn how to store the maximum amount of frozen food in the freezer compartment.

1. Remove all fittings from the freezer compartment. → Page 28
2. Stack food directly on the floor of the freezer compartment.

11.3 Tips for storing food in the freezer compartment

- Store food in air-tight packaging.
- Do not bring food which is to be frozen into contact with frozen food.
- Spread out the food over a wide area in the freezer compartment.

11.4 Tips for freezing fresh food

- Freeze fresh and undamaged food only.
- Freeze food in portions.
- Cooked food is more suitable than food that can be eaten raw.
- Vegetables: Wash, chop up and blanch before freezing.
- Fruit: Wash, pit and perhaps peel, possibly add sugar or ascorbic acid solution.
- Food that is suitable for freezing includes baked items, fish and seafood, meat, game, poultry, eggs without shells, cheese, butter and quark, ready meals and leftovers.
- Food that is unsuitable for freezing includes lettuce, radishes, eggs in shells, grapes, raw apples and pears, yoghurt, sour cream, crème fraîche and mayonnaise.

Packing frozen food

If you select suitable packaging material and the correct type of packaging, you can determine the product quality and prevent freezer burn.

1. Place the food in the packaging.
2. Squeeze out the air.
3. Pack food airtight to prevent it from losing flavour and drying out.
4. Label the packaging with the contents and the date of freezing.

11.5 Shelf life of frozen food at -18 °C

Food	Storage time
Fish, sausages, prepared meals and baked goods	up to 6 months
Poultry, meat	up to 8 months

Food	Storage time
Vegetables, fruit	up to 12 months

The imprinted freezer calendar indicates the maximum storage duration in months at a constant temperature of $-18\text{ }^{\circ}\text{C}$.

11.6 Defrosting methods for frozen food

CAUTION

Risk of harm to health!

During the thawing process, bacteria may multiply and spoil the frozen food.

- ▶ Do not refreeze food after it has been defrosted or started to defrost.
- ▶ Refreeze food only after cooking.
- ▶ These items should no longer be stored for the maximum storage period.
- Defrost animal-based food, such as fish, meat, cheese, quark, in the refrigerator compartment.
- Defrost bread at room temperature.
- Prepare food for immediate consumption in the microwave, in the oven, or on the hob.

12 Water system

Your appliance is equipped with water-carrying components.

12.1 Water dispenser

Dispense cold water via the water dispenser.

Filling the water tank

CAUTION



Risk of harm to health!

If you fill the tank with liquids other than drinking water, the quality of the dispensed water cannot be guaranteed.

- ▶ Only fill the water tank with drinking water.

ATTENTION!

Filling with liquids other than drinking water may block the pipes.

- ▶ Only fill the water tank with drinking water.
 - ▶ Open the water tank's filling unit  and fill the water tank with fresh drinking water up to the mark line .
- Fig. **14**

Dispensing water

- ▶ Press and hold the glass against the dispensing button.
 - If water has not been dispensed for 48 hours, the water may have a "stale" taste. Clean the water tank.
 - If water has not been dispensed for 5 days, clean the water tank, fill it with fresh drinking water and flush the water system. To flush the water system, dispense 2 litres of water.
- Fig. **15**

13 Defrosting

13.1 Defrosting in the refrigerator compartment

The refrigerator compartment in your appliance defrosts automatically.

13.2 Defrosting in the freezer compartment

The fully automatic NoFrost system ensures that the freezer compartment remains frost-free. Defrosting is not required.

14 Cleaning and servicing

To keep your appliance working efficiently for a long time, it is important to clean and maintain it carefully. Customer Service must clean inaccessible points. Cleaning by customer service can give rise to costs.

14.1 Preparing the appliance for cleaning

1. Switch off the appliance.
→ *Page 21*
2. Disconnect the appliance from the power supply.
Unplug the appliance from the mains or switch off the circuit breaker in the fuse box.
3. Take out all of the food and store it in a cool place.
Place ice packs (if available) onto the food.
4. Remove all fittings and accessories from the appliance.
→ *Page 28*

5. Remove the shelf above the fruit and vegetable container.
→ *Page 28*

14.2 Cleaning the appliance

WARNING **Risk of electric shock!**

An ingress of moisture can cause an electric shock.

- ▶ Do not use steam- or high-pressure cleaners to clean the appliance.

Liquid in the lighting, controls or inner ventilation openings can be dangerous.

- ▶ The rinsing water must not drip into the lighting, controls or inner ventilation openings.

ATTENTION!

Unsuitable cleaning products may damage the surfaces of the appliance.

- ▶ Do not use hard scouring pads or cleaning sponges.
- ▶ Do not use harsh or abrasive detergents.
- ▶ Do not use cleaning products with a high alcohol content.

If you clean fittings and accessories in the dishwasher, this may cause them to become deformed or discoloured.

- ▶ Never clean fittings and accessory in the dishwasher.
1. Prepare the appliance for cleaning.
→ *Page 27*
 2. Clean the appliance, the fittings, the accessories and the door seals with a dish cloth, lukewarm water and a little pH-neutral washing-up liquid.
 3. Dry thoroughly with a soft, dry cloth.
 4. Insert the fittings and install the appliance components.

- Electrically connect the appliance.
→ Page 17
- Putting the food into the appliance.

14.3 Removing the fittings

If you want to clean the fittings thoroughly, remove these from your appliance.

Removing the shelf

- ▶ Pull out, lift and remove the shelf.
→ Fig. 16

Removing the snack container with holder

- Remove the snack container.
- Remove the shelf with the holder.
- Slide the holder sideways off the shelf.
→ Fig. 17

Removing door rack

- ▶ Lift the door rack and remove it.
→ Fig. 18

Removing the storage container

- Pull out the storage container as far as it will go.
- Lift the storage container at the front ① and remove it ②.
→ Fig. 19

Removing the fruit and vegetable container

- Pull out the fruit and vegetable containers as far as they will go.
- Lift the fruit and vegetable containers at the front ① and remove them ②.
→ Fig. 20

Removing the ice cube maker

- Remove and empty the ice cube tray ① and the ice storage container ②.
→ Fig. 21
- Press the push-button ① to release the ice cube maker from the holder and remove the ice cube maker ②.
→ Fig. 22
- Lift the rear end of the holder and lower it behind the freezer compartment shelf ①. Remove the holder towards the front ②.
→ Fig. 23

Removing the water container

- Lift and remove the water container.
- Remove the cover from the water container and empty the container.
- ATTENTION!** Sharp objects may damage the seal.
 - ▶ Never use sharp objects to remove the seal.Remove the seal from the cover.
→ Fig. 24

14.4 Removing appliance components

If you want to clean your appliance thoroughly, you can remove certain components from your appliance.

Shelf above the fruit and vegetable container

You can remove the cover of the fruit and vegetable container in order to clean it thoroughly.

Removing the shelf above the fruit and vegetable container

- Remove the fruit and vegetable containers. → Page 28

2. Remove the storage container.
→ *Page 28*
3. Lift the fruit and vegetable container covers ① and remove them ②.
→ *Fig. 25*
4. Tilt the shelf above the fruit and vegetable container to the side ① and remove it ②.
→ *Fig. 26*

Fitting the shelf above the fruit and vegetable container

1. Tilt the shelf above the fruit and vegetable container to one side to insert it ① and then lower ②.
→ *Fig. 27*
2. Move the humidity controllers to the front.
→ *Fig. 28*
3. Clip the fruit and vegetable container covers in place.
→ *Fig. 29*
Make sure that the fruit and vegetable container covers sit in the openings under the humidity controllers.
4. Insert the storage containers and the fruit and vegetable containers.
→ *Fig. 30*

15 Troubleshooting

You can rectify minor faults on your appliance yourself. Read the troubleshooting information before contacting after-sales service. This will avoid unnecessary costs.

WARNING

Risk of electric shock!

Improper repairs are dangerous.

- ▶ Repairs to the appliance should only be carried out by trained specialist staff.
- ▶ Only use genuine spare parts when repairing the appliance.
- ▶ If the power cord of this appliance is damaged, it must be replaced by the manufacturer, the manufacturer's Customer Service or a similarly qualified person in order to prevent any risk.

Fault	Cause and troubleshooting
The appliance is not cooling, the displays and lighting are lit.	Showroom mode is switched on. <ol style="list-style-type: none"> 1. Press and hold ^{freezer}fridge for at least 15 seconds. 2. After a short time, check whether your appliance is cooling.
The LED lighting does not work.	Different causes are possible. <ul style="list-style-type: none"> ▶ Call customer service. The customer service number can be found in the enclosed customer service directory.
Side panels of the appliance are warm.	Not a fault. The side panels contain pipes which heat up during the cooling process. Units touching the appliance will not be damaged by the heat. No action required.
E or d appears in the temperature display.	The electronics have detected a fault. <ol style="list-style-type: none"> 1. Switch off the appliance. → <i>Page 21</i> 2. Disconnect the appliance from the mains. <ul style="list-style-type: none"> Unplug the appliance from the mains or switch off the circuit breaker in the fuse box. 3. Reconnect the appliance after five minutes. 4. Switch on the appliance. → <i>Page 20</i> 5. If the message still appears on the display, call customer service. <ul style="list-style-type: none"> The customer service number can be found in the enclosed customer service directory.

Fault	Cause and troubleshooting
<p>A warning tone sounds, the temperature display (freezer compartment) flashes, ALARM appears and the status display lights up red.</p>	<p>Different causes are possible.</p> <ul style="list-style-type: none"> ▶ Press <small>freezer</small> <small>fridge</small>. ✓ The temperature display (freezer compartment) briefly indicates the warmest temperature reached in the freezer compartment. The temperature display (freezer compartment) then indicates the set temperature again. ✓ The alarm is switched off. ✓ ALARM lights up until the set temperature is reached. <hr/> <p>The appliance door is open.</p> <ul style="list-style-type: none"> ▶ Close the appliance door. <hr/> <p>Larger quantities of fresh food have been put in.</p> <ul style="list-style-type: none"> ▶ Do not exceed the max. freezing capacity. → "Freezing capacity", Page 25
<p>The set temperature is not reached. Fully automatic defrosting no longer works.</p>	<p>The freezer compartment door was open for a long time. The evaporator (refrigeration unit) in the noFrost system is heavily iced up.</p> <p>Requirement: Store the frozen food well insulated in a cool place.</p> <ol style="list-style-type: none"> 1. Switch off the appliance. → Page 21 2. Disconnect the appliance from the mains. Unplug the appliance from the mains or switch off the circuit breaker in the fuse box. 3. Move the appliance away from the wall. 4. Leave the appliance door open. ✓ After approx. 20 minutes, the condensation starts to run into the evaporation pan at the rear of the appliance. → Fig. 31 5. To prevent the evaporation pan from overflowing, mop up the condensation water with a sponge. The evaporator is defrosted if no more condensation water runs into the evaporation pan. 6. Clean the interior of the appliance. → Page 27 7. Switch the appliance back on. → Page 20

Fault	Cause and troubleshooting
The temperature differs greatly from the setting.	<p>Different causes are possible.</p> <ol style="list-style-type: none"> 1. Switch off the appliance. → <i>Page 21</i> 2. Switch the appliance back on after five minutes. → <i>Page 20</i> <ul style="list-style-type: none"> – If the temperature is too warm, check the temperature again after a couple of hours. – If the temperature is too cold, check the temperature again on the following day.
Condensation accumulates on the surface of the appliance and on the shelves inside.	<p>The water contained in warm and humid air condenses on the colder surfaces of the appliance.</p> <ol style="list-style-type: none"> 1. Wipe away the water with a soft, dry cloth. 2. Open the appliance as briefly as possible. 3. Ensure that the appliance is always closed properly.
The appliance hums, bubbles, buzzes, gargles, clicks, crackles or hisses.	<p>Not a fault. A motor is running, e.g. refrigerating unit, fan. Refrigerant flows through the pipes. The motor, switches or solenoid valves are switching on or off. Automatic defrosting is running. The NoFrost system defrosts; water droplets evaporate. No action required.</p>
The appliance makes noises.	<p>The appliance is not level.</p> <ul style="list-style-type: none"> ▶ Align the appliance using a spirit level and the screw feet. <hr/> <p>The appliance is not free-standing.</p> <ul style="list-style-type: none"> ▶ Observe the minimum clearances for the appliance. <hr/> <p>Fittings wobble or stick.</p> <ul style="list-style-type: none"> ▶ Check the removable fittings and, if required, replace these. <hr/> <p>Bottles or containers are touching.</p> <ul style="list-style-type: none"> ▶ Move the bottles or containers away from each other. <hr/> <p>Super freezing is switched on.</p> <p>No action required.</p>

15.1 Power failure

During a power failure, the temperature in the appliance rises; this reduces the storage time and the quality of the frozen food.

On the website for your appliance, the technical data provides you with the storage times for frozen food in the event of a fault.

Notes

- Open the appliance as little as possible during a power failure and do not place any other food in the appliance.
- Check the quality of the food immediately after a power failure.
 - Dispose of any frozen food that has defrosted and is hotter than 5 °C.
 - Cook or fry slightly thawed frozen food, and then either consume it or freeze it again.

15.2 Conducting an appliance self-test

Your appliance has an appliance self-test which displays faults that can be eliminated by your customer service.

1. Switch off the appliance.
→ *Page 21*
 2. Disconnect the appliance from the power supply.
Unplug the appliance from the mains or switch off the circuit breaker in the fuse box.
 3. Electrically reconnect the appliance after five minutes. → *Page 17*
 4. Switch on the appliance.
→ *Page 20*
 5. Within the first two minutes after switching on, press and hold freezer fridge for 3 seconds until an audible signal sounds.
- ✓ The appliance self-test starts.

- ✓ If, at the end of the appliance self-test, two audible signals sound and the temperature display indicates the set temperature, your appliance is OK. The appliance switches to normal operation.
- ✓ If, at the end of the appliance self-test, 5 audible signals sound, inform customer service.

16 Storage and disposal

16.1 Taking the appliance out of operation

1. Switch off the appliance.
→ *Page 21*
2. Disconnect the appliance from the power supply.
Unplug the appliance from the mains or switch off the circuit breaker in the fuse box.
3. Remove all of the food.
4. Drain the water tank.
5. Clean the appliance. → *Page 27*
6. **ATTENTION!** Objects jammed between the door and the housing may damage the door hinge.
 - ▶ Open the door until it remains open by itself.
 - ▶ Do not insert any objects between the door and the housing.

To guarantee the ventilation inside the appliance, leave the appliance open.

16.2 Disposing of old appliance

Valuable raw materials can be re-used by recycling.

WARNING

Risk of harm to health!

Children can lock themselves in the appliance, thereby putting their lives at risk.

- ▶ Leave shelves and containers inside the appliance to prevent children from climbing in.
- ▶ Keep children away from the redundant appliance.

WARNING

Risk of fire!

If the tubes are damaged, flammable refrigerant and harmful gases may escape and ignite.

- ▶ Do not damage the tubes of the refrigerant circuit or the insulation.

1. Unplug the appliance from the mains.
2. Cut through the power cord.
3. Dispose of the appliance in an environmentally friendly manner.

Information about current disposal methods are available from your specialist dealer or local authority.



This appliance is labelled in accordance with European Directive 2012/19/EU concerning used electrical and electronic appliances (waste electrical and electronic equipment - WEEE). The guideline determines the framework for the return and recycling of used appliances as applicable throughout the EU.

17 Customer Service

Detailed information on the warranty period and terms of warranty in your country is available from our after-sales service, your retailer or on our website.

If you contact Customer Service, you will require the product number (E-Nr.) and the production number (FD) of your appliance.

The contact details for Customer Service can be found in the enclosed Customer Service directory or on our website.

17.1 Product number (E-Nr.) and production number (FD)

You can find the product number (E-Nr.) and the production number (FD) on the appliance's rating plate.

→ Fig.  / 

Make a note of your appliance's details and the Customer Service telephone number to find them again quickly.

18 Technical data

Refrigerant, cubic capacity and further technical specifications can be found on the rating plate.

→ Fig.  / 

Для получения дополнительной информации см.
Цифровое руководство пользователя.



Содержание

1 Безопасность.....	37	6.5 Бокс для овощей и фруктов с регулятором влажности	48
1.1 Общие указания	37	6.6 Дверная полка	48
1.2 Использование по назначению....	37	6.7 Генератор льда	48
1.3 Ограничение круга пользователей	37	6.8 Аксессуары.....	49
1.4 Безопасная транспортировка	38	7 Стандартное управление.....	49
1.5 Безопасный монтаж	38	7.1 Включение прибора.....	49
1.6 Безопасная эксплуатация	39	7.2 Указания по эксплуатации.....	50
1.7 Поврежденный прибор	42	7.3 Выключение прибора.....	50
2 Во избежание материального ущерба	44	7.4 Установка температуры	50
3 Защита окружающей среды и экономия	44	7.5 Блокировка кнопок (блокировка для безопасности детей)	50
3.1 Утилизация упаковки.....	44	8 Дополнительные функции.....	51
3.2 Как сэкономить электроэнергию	44	8.1 Суперохлаждение	51
4 Установка и подключение.....	45	8.2 Суперзамораживание.....	51
4.1 Комплект поставки	45	8.3 Режим «Отпуск»	51
4.2 Критерии выбора места установки	45	8.4 Режим экономии энергии	52
4.3 Установка прибора	46	8.5 Режим свежести	52
4.4 Подготовка прибора к началу эксплуатации.....	46	9 Предупредительный сигнал	52
4.5 Подключение прибора к электросети	46	9.1 Предупредительный сигнал при открытой дверце.....	52
5 Знакомство с прибором.....	46	9.2 Предупредительный сигнал повышения температуры.....	52
5.1 Прибор	46	10 Холодильное отделение.....	53
5.2 Панель управления.....	47	10.1 Рекомендации по хранению продуктов в холодильном отделении	53
6 Элементы оснащения.....	47	10.2 Температурные зоны в холодильном отделении.....	53
6.1 Полка	47	11 Морозильное отделение.....	54
6.2 Вариативная полка	47	11.1 Производительность замораживания.....	54
6.3 Контейнер для перекусов.....	48		
6.4 Контейнер для хранения	48		

11.2	Размещение продуктов по всей площади морозильного отделения	54
11.3	Рекомендации по хранению продуктов в морозильном отделении	54
11.4	Рекомендации по замораживанию свежих продуктов	55
11.5	Срок хранения замороженных продуктов при -18 °С	55
11.6	Способы размораживания замороженных продуктов	55
12	Система подачи воды.....	56
12.1	Диспенсер воды.....	56
13	Размораживание	56
13.1	Размораживание холодильного отделения	56
13.2	Размораживание в морозильном отделении.....	56
14	Очистка и уход	56
14.1	Подготовка прибора к очистке	57
14.2	Очистка прибора	57
14.3	Извлечение элементов оснащения	57
14.4	Снятие деталей прибора	58
15	Устранение неисправностей	60
15.1	Отключение электроэнергии	63
15.2	Выполнение самодиагностики прибора	63
16	Хранение и утилизация.....	63
16.1	Вывод прибора из эксплуатации	63
16.2	Утилизация старого бытового прибора	64
17	Сервисная служба.....	64
17.1	Номер изделия (E-Nr.) и заводской номер (FD).....	65
18	Технические характеристики ...	65



1 Безопасность

Соблюдайте следующие указания по технике безопасности.

1.1 Общие указания

- Внимательно прочитайте данное руководство.
- Сохраните инструкцию и информацию о приборе для дальнейшего использования или для передачи следующему владельцу.
- В случае обнаружения повреждений, связанных с транспортировкой, не подключайте прибор.

1.2 Использование по назначению

Используйте прибор только:

- для охлаждения и заморозки продуктов, а также приготовления кубиков льда и набора воды из диспенсера.
- в бытовых условиях и в закрытых помещениях домашних хозяйств.
- на высоте не более 2000 м над уровнем моря.

1.3 Ограничение круга пользователей

Данный прибор может использоваться детьми в возрасте от 8 лет и старше, а также лицами с ограниченными физическими, сенсорными или умственными способностями или с недостатком опыта и/или знаний, если они находятся под присмотром или после получения указаний по безопасному использованию прибора и после того, как они осознали опасности, связанные с неправильным использованием.

Детям запрещено играть с прибором.

Очистку и обслуживание прибора запрещается выполнять детям без надзора взрослых.

1.4 Безопасная транспортировка

⚠ ПРЕДУПРЕЖДЕНИЕ – Опасность травмирования!

Вследствие большого веса прибора при его подъеме возможны травмы.

- ▶ Не поднимайте прибор в одиночку.

1.5 Безопасный монтаж

⚠ ПРЕДУПРЕЖДЕНИЕ – Опасность поражения электрическим током!

При неквалифицированном монтаже прибор может стать источником опасности.

- ▶ При подключении прибора и его эксплуатации соблюдайте данные, приведенные на фирменной табличке.
- ▶ Прибор можно подключать только к электросети переменного тока через установленную согласно предписаниям розетку с заземлением.
- ▶ Система заземления в домашней электропроводке должна быть установлена согласно предписаниям.
- ▶ Запрещается оснащать прибор внешним переключателем, например, таймером или пультом дистанционного управления.
- ▶ Если прибор встроен, необходимо предусмотреть свободный доступ к вилке сетевого кабеля или, если это невозможно, установить в стационарной электропроводке специальный выключатель для размыкания согласно условиям монтажа.
- ▶ При установке прибора не допускайте зажатия или повреждения сетевого кабеля.

Поврежденная изоляция сетевого кабеля является источником опасности.

- ▶ Ни в коем случае не допускайте контакта сетевого кабеля с источниками тепла.

⚠ ПРЕДУПРЕЖДЕНИЕ – Опасность взрыва!

Если вентиляционные отверстия прибора закрыты, при утечке хладагента может образоваться горючая воздушно-газовая смесь.

- ▶ Не закрывайте вентиляционные отверстия в корпусе прибора или в корпусе для встраивания.

⚠ ПРЕДУПРЕЖДЕНИЕ – Опасность возгорания!

Использование удлиненного сетевого кабеля и недопустимых адаптеров опасно.

- ▶ Не используйте удлинительные кабели или многоконтактные розетки.
- ▶ Используйте только допущенные производителем адаптеры и сетевые кабели.
- ▶ Если сетевой кабель слишком короткий и более длинного нет в наличии, следует связаться со специализированной электротехнической фирмой, чтобы адаптировать домовую внутреннюю проводку.

Переносные многоконтактные розетки или переносные сетевые узлы могут перегреться и стать причиной возгорания.

- ▶ Не располагайте многоконтактные розетки или переносные сетевые узлы на задней стенке прибора.

При контакте прибора с водопроводными или газовыми коммуникациями существует риск возникновения коррозии по причине возможного наличия электрического потенциала на коммуникациях. Утечка газа из поврежденных коррозией газовых коммуникаций и вследствие этого элементов холодильного контура может привести к возгоранию.

- ▶ Обеспечьте дистанцию не менее 5 см между прибором и водопроводными и/или газовыми коммуникациями.

1.6 Безопасная эксплуатация**⚠ ПРЕДУПРЕЖДЕНИЕ – Опасность поражения электрическим током!**

Проникшая в прибор влага может стать причиной поражения током.

- ▶ Используйте прибор только в закрытом помещении.
- ▶ Не пользуйтесь прибором при слишком высокой температуре или влажности.
- ▶ Не используйте для очистки прибора пароочистители или очистители высокого давления.

⚠ ПРЕДУПРЕЖДЕНИЕ – Опасность удушья!

Дети могут завернуться в упаковочный материал или надеть его себе на голову и задохнуться.

- ▶ Не подпускайте детей к упаковочному материалу.
- ▶ Не позволяйте детям играть с упаковочным материалом.

Дети могут вдохнуть или проглотить мелкие детали, в результате чего задохнуться.

- ▶ Не подпускайте детей к мелким деталям.
- ▶ Не позволяйте детям играть с мелкими деталями.

⚠ ПРЕДУПРЕЖДЕНИЕ – Опасность взрыва!

Если контур хладагента поврежден, горючий хладагент может вытечь и привести к взрыву.

- ▶ Не используйте механическое оборудование или средства, кроме рекомендованных производителем, для ускорения размораживания.
- ▶ Отделяйте замороженные продукты тупым предметом, например деревянной ручкой ложки.

Продукты с горючими газами-вытеснителями и взрывоопасные вещества, например, аэрозольные баллончики, могут взорваться.

- ▶ Не храните продукты с горючими газами-вытеснителями и взрывоопасные вещества внутри прибора.

⚠ ПРЕДУПРЕЖДЕНИЕ – Опасность возгорания!

Использование электрических приборов внутри прибора (например, нагревателей или электрических морожениц) может привести к возгоранию.

- ▶ Не используйте электрические приборы внутри прибора.

⚠ ПРЕДУПРЕЖДЕНИЕ – Опасность травмирования!

Ёмкости с газированными напитками могут лопнуть.

- ▶ Не храните ёмкости с газированными напитками в морозильном отделении.

Повреждение глаз в следствие утечки горючего хладагента и вредных газов.

- ▶ Не допускайте повреждения труб контура циркуляции хладагента и изоляции.

Прибор может опрокинуться.

- ▶ Не вставляйте на цоколь, выдвижные элементы или дверцы, а также не опирайтесь на них.

⚠ ПРЕДУПРЕЖДЕНИЕ – Опасность ожога!

Отдельные части задней стенки прибора во время работы нагреваются.

- ▶ Не прикасайтесь к горячим частям прибора.

⚠ ПРЕДУПРЕЖДЕНИЕ – Опасность обморожения!

Контакт с замороженными продуктами и холодными поверхностями может привести к холодовому ожогу.

- ▶ Никогда не прикасайтесь к замороженным продуктам сразу после извлечения из морозильного отделения.
- ▶ Избегайте длительного контакта кожи с замороженными продуктами, льдом и поверхностями в морозильном отделении.

⚠ ОСТОРОЖНО – Риск нанесения вреда здоровью!

Чтобы избежать загрязнения пищи, следуйте указаниям, приведенным ниже.

- ▶ При открытой в течение длительного времени дверце, в отсеках прибора может значительно подняться температура.
- ▶ Периодически очищайте поверхности, которые могут соприкасаться с продуктами и выступающими частями дренажных систем.
- ▶ Производите очистку резервуара с водой, если он не использовался последние 48 часов. Промывайте систему подачи воды, если вода не использовалась в течение 5 дней.
- ▶ Храните сырое мясо и рыбу в соответствующих контейнерах в холодильнике, чтобы они не касались и не капали на другие продукты.
- ▶ Если холодильник/морозильник долгое время простаивает, выключите прибор, разморозьте, очистите и оставьте дверцу открытой, чтобы предотвратить образование плесени.

Элементы прибора, выполненные из металла или внешне похожие на металлические, могут содержать алюминий. При контакте кислотосодержащих продуктов с алюминиевыми элементами, ионы алюминия проникают в продукты.

- ▶ Не употребляйте в пищу такие продукты.

1.7 Поврежденный прибор

⚠ ПРЕДУПРЕЖДЕНИЕ – Опасность поражения электрическим током!

Поврежденный прибор или поврежденный сетевой кабель являются источником опасности.

- ▶ Категорически запрещается эксплуатировать поврежденный прибор.
- ▶ Запрещается тянуть за сетевой кабель, чтобы отсоединить прибор от сети электропитания. Вынимайте из розетки вилку сетевого кабеля.
- ▶ В случае повреждения прибора или сетевого кабеля немедленно выньте вилку сетевого кабеля из розетки или отключите предохранитель в блоке предохранителей.
- ▶ Обратитесь в сервисную службу. → *Страница 64*

При неквалифицированном ремонте прибор может стать источником опасности.

- ▶ Ремонтировать прибор разрешается только квалифицированным специалистам.
- ▶ Для ремонта прибора можно использовать только оригинальные запчасти.
- ▶ Во избежание опасностей замена поврежденного сетевого кабеля данного прибора может быть выполнена только производителем или авторизованной им сервисной службой либо лицом, имеющим аналогичную квалификацию.

⚠ ПРЕДУПРЕЖДЕНИЕ – Опасность возгорания!

При поврежденных трубках горючий хладагент и вредные газы могут протечь и воспламениться.

- ▶ Держите прибор вдали от огня и источников воспламенения.
- ▶ Проветрите помещение.
- ▶ Выключите прибор. → *Страница 50*
- ▶ Извлеките из розетки вилку сетевого кабеля или выключите предохранитель в блоке предохранителей.
- ▶ Обратитесь в сервисную службу. → *Страница 64*

2 Во избежание материального ущерба

ВНИМАНИЕ!

При перекашивании роликов прибора при перемещении можно повредить пол.

- ▶ Перевозите прибор на тележке.
- ▶ При перемещении прибора используйте защиту для пола и не передвигайте прибор зигзагом.

Использование прибора, цоколей, выдвижных элементов и дверец в качестве опоры для сидения или лазания может привести к повреждению прибора.

- ▶ Не вставляйте на прибор, цоколь, выдвижные элементы или дверцы, а также не опирайтесь на них.

Из-за попадания масла и смазки пластмассовые детали и уплотнители дверцы могут стать пористыми.

- ▶ Не допускайте попадания масла и жира на пластмассовые детали и уплотнители дверцы.

Элементы прибора, выполненные из металла или внешне похожие на металлические, могут содержать алюминий.

Алюминий вступает в реакцию при контакте с кислотосодержащими продуктами.

- ▶ Не храните продукты в приборе без упаковки.

При мытье элементов оснащения и принадлежностей в посудомоечной машине, они могут деформироваться или изменить цвет.

- ▶ Не мойте детали прибора и принадлежности в посудомоечной машине.

3 Защита окружающей среды и экономия

3.1 Утилизация упаковки

Упаковочные материалы экологически безопасны и могут использоваться повторно.

- ▶ Утилизируйте отдельные части, предварительно рассортировав их.

3.2 Как сэкономить электроэнергию

При соблюдении этих указаний прибор будет расходовать меньше электроэнергии.

Выбор места установки

- Оберегайте прибор от воздействия прямых солнечных лучей.
- Устанавливайте прибор как можно дальше от радиаторов отопления, печей и прочих источников тепла:
 - Соблюдайте расстояние 30 мм от электрических или газовых плит.
 - соблюдайте расстояние в 300 мм от прибора до масляных или угольных печей.
- Сохраняйте расстояние до боковой стенки 50 мм.
- Не закрывайте и не загромождайте внешние вентиляционные отверстия.

Экономия электроэнергии во время использования

Заметка: Расположение элементов оснащения внутри прибора не влияет на расход прибором электроэнергии.

- Открывайте прибор только на короткое время и аккуратно закрывайте.
- Не закрывайте и не загромождайте внутренние и внешние вентиляционные отверстия.

- Купленные продукты перевозите в теплоизолированной сумке и быстро загружайте в прибор.
- Перед помещением на хранение дайте продуктам и напиткам остыть.
- Замороженные продукты положите для размораживания в холодильное отделение, чтобы использовать их холод.
- Между продуктами и задней стенкой всегда оставляйте немного места.

Режим ожидания

Если прибор не используется, дисплей автоматически переходит в режим ожидания.

В режиме ожидания уменьшается яркость элемента управления и индикатор состояния горит белым светом.

4 Установка и подключение

4.1 Комплект поставки

После распаковки проверьте все детали на отсутствие транспортных повреждений и комплектность поставки.

Обращайтесь с рекламациями в магазин, где вы приобрели прибор, или в нашу сервисную службу → *Страница 64*.

В комплект поставки входят:

- Напольный прибор
- Элементы оснащения и принадлежности¹
- Материал для монтажа
- Инструкция по монтажу
- Руководство по эксплуатации
- Перечень сервисных служб
- Гарантийный талон²
- Наклейка с информацией об энергопотреблении

¹ В зависимости от комплектации

² Не во всех странах

- Информация о расходе электроэнергии и шумах

4.2 Критерии выбора места установки

⚠ ПРЕДУПРЕЖДЕНИЕ Опасность взрыва!

В слишком тесном помещении при утечке хладагента может образоваться горючая воздушно-газовая смесь.

- ▶ Устанавливайте прибор только в помещении площадью не менее 1 м³ на 8 г хладагента. Количество хладагента указано на типовой табличке внутри прибора. → *Рис. 1/3*

Вес прибора может составлять в зависимости от заводской модели до 110 кг. Чтобы выдержать вес прибора, поверхность, на которую он устанавливается, должна быть достаточно устойчивой.

Допустимая температура помещения

Допустимая температура помещения зависит от климатического класса прибора.

Климатический класс прибора указан на его типовой табличке. → *Рис. 1/3*

Климатический класс	Допустимая температура помещения
SN	10–32 °C
N	16–32 °C
ST	16–38 °C
T	16–43 °C

Прибор полностью работоспособен в пределах допустимой температуры помещения.

ru Знакомство с прибором

В случае эксплуатации прибора климатического класса SN при более низкой температуре помещения повреждение прибора можно исключить до температуры помещения 5 °С.

Установка приборов друг под другом (Over-and-Under) и рядом друг с другом (Side-by-Side)

Если вы хотите разместить рядом или друг под другом 2 холодильных прибора, то между ними должно оставаться расстояние не менее 150 мм. Установка без соблюдения минимального расстояния возможна для отдельных моделей приборов. Уточните данный вопрос в специализированном магазине или у специалиста по планировке кухни.

4.3 Установка прибора

- ▶ Установите прибор в соответствии с прилагаемой инструкцией по монтажу.

4.4 Подготовка прибора к началу эксплуатации

1. Выньте информационные материалы.
2. Снимите защитную плёнку и транспортировочные крепления, такие как клейкая лента и картон.
3. Перед первым использованием очистите прибор. → *Страница 57*

4.5 Подключение прибора к электросети

1. Вставьте вилку сетевого кабеля прибора в розетку, расположенную вблизи прибора.

Параметры подключения прибора указаны на фирменной табличке. → *Рис. 1 / 3*

2. Проверьте прочность подключения вилки сетевого кабеля.
- ✓ Прибор готов к использованию.

5 Знакомство с прибором

5.1 Прибор

Здесь приведен обзор составных частей прибора.

→ *Рис. 1*

A	Морозильное отделение → <i>Страница 54</i>
B	Холодильное отделение → <i>Страница 53</i>
1	Освещение
2	Генератор льда → <i>Страница 48</i>
3	Типовая табличка → <i>Страница 65</i>
4	Контейнер для перекусов → <i>Страница 48</i>
5	Регулятор температуры (контейнер для хранения) → <i>Страница 50</i>
6	Контейнер для хранения → <i>Страница 48</i>
7	Бокс для овощей и фруктов с регулятором влажности → <i>Страница 48</i>
8	Панель управления → <i>Страница 47</i>
9	Внутреннее вентиляционное отверстие (холодильное отделение)
10	Диспенсер воды → <i>Страница 56</i>
11	Вариативная полка → <i>Страница 47</i>

12 Дверная полка для больших бутылок → *Страница 48*

13 Винтовая ножка

Заметка: Элементы оснащения и размер вашего прибора могут отличаться от изображенных.

5.2 Панель управления

Настроить все функции прибора и получить информацию о его рабочем состоянии можно через панель управления.

→ *Рис. 2*

1 Отображает температуру морозильного отделения в °C.

2 **ALARM** светится, если включен сигнал изменения температуры.

3 **superfreeze** светится, если включено Суперзамораживание.


4 freezer
fridge используется для выбора отделения, для изменения температуры или включения определенных дополнительных функций.

5 Отображает температуру холодильного отделения в °C.


6 **ALARM** светится, если включена сигнализация при открытой дверце.

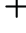
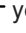
7 **supercool** светится, если включено Суперохлаждение.

8 **fresh** светится, если включен режим свежести.

9  светится, если включен режим «Отпуск».

10 **mode** служит для выбора режимов.



11  светится, если включен режим энергосбережения.

12   устанавливает температуру в выбранных отделениях.

13 Индикатор состояния показывает режим работы прибора.

14 **lock** включает или выключает блокировку кнопок панели управления.

15 **super** включает и выключает **supercool** и **superfreeze** в выбранных отделениях.

16 Горит  ^{3s}/ ^{3s}, если включена или выключена блокировка кнопок.

6 Элементы оснащения

Комплектация вашего прибора зависит от модели.

6.1 Полка

Если вы хотите переставить полку, выньте её и установите в другом месте.

→ *"Снятие полок", Страница 57*

6.2 Вариативная полка

Используйте вариативную полку для хранения продуктов в высокой таре на нижней полке, например, в банках и бутылках.

Использование вариативной полки

1. Удерживайте вариативную полку слева и потяните её справа, пока не будут разблокированы фиксаторы.

→ *Рис. 3*

2. Приподнимите вариативную полку справа, выдвиньте движением на себя **1** и извлеките **2**.

→ *Рис. 4*

3. Сдвиньте правую часть вариативной полки до упора так, чтобы она опустилась под левую часть полки.

→ Рис. 5

6.3 Контейнер для перекусов

В контейнере для перекусов храните упакованные продукты или небольшие снеки.

Контейнер для перекусов можно вынуть. Для этого приподнимите контейнер для перекусов и выньте его. Крепление контейнера для перекусов можно передвигать.

→ Рис. 6

6.4 Контейнер для хранения

В контейнере для хранения создаётся более низкая температура, чем в холодильном отделении. Температура может временно опускаться ниже 0 °C.

Чтобы температура в контейнере для хранения была около 0 °C, установите температуру холодильного отделения 2 °C. → Страница 50

Устанавливайте в контейнере для хранения более низкую температуру, чтобы хранить скоропортящиеся продукты, например рыбу, мясо и колбасу.

6.5 Бокс для овощей и фруктов с регулятором влажности

Храните свежие фрукты и овощи без упаковки в контейнере для фруктов и овощей.



Нарезанные фрукты и овощи накройте крышкой или храните в герметичной упаковке.

С помощью регулятора влажности и специального уплотнителя можно регулировать влажность воздуха в боксе для фруктов и овощей. Это позволяет сохра-

нять фрукты и овощи свежими вдвое дольше по сравнению с обычным способом хранения.

→ Рис. 7

Установка влажности воздуха нажатием на регулятор влажности в боксе для фруктов и овощей в зависимости от вида и количества загружаемых продуктов :

- низкая влажность  при хранении преимущественно фруктов, при смешанной или высокой загрузке;
- высокая влажность  при хранении преимущественно овощей и при малой загрузке.

В зависимости от количества и вида храняемых продуктов в контейнере для овощей и фруктов может образовываться конденсат.

Вытрите конденсат сухой тканевой салфеткой и установите низкую влажность воздуха при помощи регулятора влажности.

Для поддержания качества и аромата храните чувствительные к холоду фрукты и овощи, например, ананасы, бананы, цитрусовые, огурцы, цуккини, сладкий перец, помидоры и картофель, вне холодильника при температуре прибл. от 8 °C до 12 °C.

6.6 Дверная полка

Если вы хотите переставить дверные полки, выньте их и установите в другом месте.

→ "Снятие дверных полок",

Страница 58

6.7 Генератор льда

Используйте генератор льда для приготовления кубиков льда из питьевой воды.

Приготовление кубиков льда

Для приготовления кубиков льда используйте исключительно питьевую воду.

1. Извлеките ёмкость для кубиков льда ①, заполните ее на $\frac{3}{4}$ питьевой водой ② и установите на место ③.
→ Рис. 8

Заметка: Слишком большое количество воды может нарушить работу генератора льда. Кубики льда не извлекаются из ёмкости для кубиков льда по отдельности. Если слишком много воды попадает в контейнер для льда, находящиеся там кубики льда смерзаются.

2. Когда кубики льда будут готовы, несколько раз поверните ручку ёмкости для кубиков льда вправо и отпустите.
→ Рис. 9
- ✓ Кубики отстанут от формы и упадут в контейнер для льда.
3. Вытащите контейнер и выньте из него кубики льда.
→ Рис. 10

6.8 Аксессуары

Используйте оригинальные аксессуары. Они адаптированы к данному прибору. Аксессуары для прибора зависят от модели.

Лоток для яиц

Для безопасного хранения яиц используйте лоток для яиц.

Держатель для бутылок

Держатель для бутылок предотвращает опрокидывание бутылок при открывании и закрывании дверцы.

→ Рис. 11

Вариативная полка для хранения бутылок

Используйте вариативную полку для хранения бутылок для безопасного хранения бутылок.

→ Рис. 12

Ёмкость для кубиков льда

Используйте ёмкость для кубиков льда для приготовления кубиков льда.

Приготовление кубиков льда

Для приготовления кубиков льда используйте исключительно питьевую воду.

1. Заполните ёмкость для кубиков льда питьевой водой на $\frac{3}{4}$ и поставьте в морозильное отделение.

Извлекайте кубики льда из ёмкости тупым предметом, например деревянной ручкой ложки.

2. Для извлечения кубиков льда, ёмкость для кубиков льда недолго подержите под проточной водой или слегка изогните.

7 Стандартное управление

7.1 Включение прибора

1. Подключите прибор к электросети.
→ Страница 46

Заметка: Если ранее прибор был выключен с помощью панели управления, нажмите **+** и удерживайте в течение 10 секунд.

- ✓ Прибор начинает вырабатывать холод.
- ✓ Звучит предупредительный сигнал, мигает индикатор температуры (морозильное отделение), загорается **ALARM** и индикатор состояния горит красным светом, потому что в морозильном отделении ещё слишком тепло.

ru Стандартное управление

- Отключите предупредительный сигнал с помощью freezer fridge.
- ✓ **ALARM** погаснет, как только будет достигнута установленная температура.
3. Установите необходимую температуру. → *Страница 50*

7.2 Указания по эксплуатации

- После включения прибора установленная температура будет достигнута через несколько часов. Не загружайте продукты, пока не будет достигнута установленная температура.
- При закрывании дверцы может возникнуть вакуум. Дверцу будет сложнее открыть. Подождите, пока отрицательное давление не выровняется.
- Внутренняя температура прибора зависит от следующих факторов:
 - Частота открывания дверцы
 - Объем загрузки
 - Температура только что загруженных продуктов
 - Температура окружающей среды
 - Воздействие прямых солнечных лучей

7.3 Выключение прибора

- ▶ Нажмите **+** и удерживайте примерно 10 секунды.

7.4 Установка температуры

Установка температуры в холодильном отделении

1. Выберите холодильное отделение с помощью freezer fridge.
2. Нажимайте **+/-** до тех пор, пока на индикаторе температуры (холодильное отделение) не будет отображаться необходимая установка.

Чтобы достичь заданной температуры, передвиньте регулятор температуры вниз контейнера для хранения в положение $\frac{1}{3}$. → *Страница 50*
Рекомендуемая температура в холодильном отделении составляет 4 °С.

Установка температуры в контейнере для хранения

1. Чтобы понизить температуру, передвиньте регулятор температуры в направлении **extra cold**.
2. Чтобы повысить температуру, передвиньте регулятор температуры в направлении **cold**.

→ Рис. **13**

Установка температуры в морозильном отделении

1. Выберите морозильное отделение с помощью freezer.
2. Нажимайте **+/-** до тех пор, пока на индикаторе температуры (морозильное отделение) не будет отображаться необходимая установка.
Рекомендуемая температура в морозильном отделении составляет -18 °С.

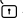
7.5 Блокировка кнопок (блокировка для безопасности детей)

Блокировка кнопок предотвращает незапланированное или неправильное использование прибора.

Включение блокировки кнопок

- ▶ Нажмите **lock** и удерживайте 3 секунды.
- ✓ Горит **3s**.

Выключение блокировки кнопок

- ▶ Нажмите **lock** и удерживайте 3 секунды.
- ✓ Горит  3s.

8 Дополнительные функции

Узнайте, какие дополнительные функции поддерживает ваш прибор.

8.1 Суперохлаждение

При включении Суперохлаждение охлаждение внутри холодильного отделения становится максимально интенсивным. Включите Суперохлаждение, прежде чем закладывать большой объем продуктов на хранение.

Заметка: При включении Суперохлаждение прибор может начать больше шуметь при эксплуатации.

Включение Суперохлаждение

- ▶ Нажимайте **super** до тех пор, пока не загорится **supercool**.

Заметка: Спустя прим. 6 часов прибор переключается в обычный режим работы.

Выключение Суперохлаждение

- ▶ Нажмите **super**.
- ✓ Установленная температура выводится на дисплей.

8.2 Суперзамораживание

При Суперзамораживании происходит максимально интенсивное охлаждение морозильного отделения. Включите Суперзамораживание на 4–6 часов, прежде чем закладывать более 2 кг продуктов на хранение.

Включите Суперзамораживание, чтобы воспользоваться возможностями замораживания.

→ "Условия для производительности замораживания", Страница 54

Заметка: Если Суперзамораживание включено, это может привести к увеличению эксплуатационного шума.

Включение Суперзамораживание

- ▶ Нажимайте **super** до тех пор, пока не загорится **superfreeze**.

Заметка: Спустя прим. 54 часов прибор переключается в обычный режим работы.

Выключение Суперзамораживание

- ▶ Нажимайте **super** до тех пор, пока не загорится **superfreeze**.

8.3 Режим «Отпуск»

На время длительного отсутствия вы можете установить на приборе энергосберегающий режим «Отпуск».

ОСТОРОЖНО Риск нанесения вреда здоровью!

При включенном режиме «Отпуск» температура в холодильном отделении повышается. Повышенная температура может способствовать размножению бактерий и порче продуктов.


- ▶ При включенном режиме «Отпуск» холодильное отделение должно быть пустым.

Прибор автоматически изменяет температуру.

Холодильное отделение 14 °C

Морозильное отделение	Температура не изменилась
-----------------------	---------------------------

Включение режима «Отпуск»

- ▶ Нажимайте **mode** до тех пор, пока не начнёт подсвечиваться .

Выключение режима «Отпуск»

- ▶ Нажимайте **mode** до тех пор, пока не перестанут подсвечиваться все режимы.

8.4 Режим экономии энергии


Устанавливая режим экономии энергии, вы переключаете прибор в энергосберегающий режим работы.

Прибор автоматически изменяет температуру.

Холодильное отделение	8 °C
-----------------------	------

Морозильное отделение	-16 °C
-----------------------	--------

Включение режима экономии энергии

- ▶ Нажимайте **mode** до тех пор, пока не начнёт подсвечиваться .

Выключение режима экономии энергии

- ▶ Нажимайте **mode** до тех пор, пока не перестанут подсвечиваться все режимы.

8.5 Режим свежести

Чтобы дольше сохранять свежесть продуктов, можно установить на приборе режим свежести.

Прибор автоматически изменяет температуру.

Холодильное отделение	2 °C
-----------------------	------

Морозильное отделение	Температура не изменилась
-----------------------	---------------------------

Установка режима свежести

- ▶ Нажимайте **mode** до тех пор, пока не начнёт подсвечиваться **fresh**.

Выключение режима свежести

- ▶ Нажимайте **mode** до тех пор, пока не перестанут подсвечиваться все режимы.


9 Предупредительный сигнал

9.1 Предупредительный сигнал при открытой дверце

Если дверца прибора остается долго открытой, включается предупредительный сигнал.

Звучит предупредительный сигнал, индикатор состояния загорается красным светом и **ALARM** появляется рядом с соответствующим отделением.

Выключение предупредительного сигнала при открытой дверце

- ▶ Закройте дверцу прибора или нажмите .
- ✓ Предупредительный сигнал отключен.

9.2 Предупредительный сигнал повышения температуры

Предупредительный сигнал повышения температуры включается, если в морозильном отделении становится слишком тепло.

Звучит предупредительный сигнал, мигает индикатор температуры (морозильное отделение), появляется **ALARM** и индикатор состояния загорается красным светом.

⚠ ОСТОРОЖНО

Риск нанесения вреда здоровью!

В процессе размораживания возможно размножение бактерий, и замороженные продукты могут испортиться.

- ▶ Не замораживайте заново частично или полностью размороженные продукты.
- ▶ Замораживайте заново продукты только после варки или жарки.
- ▶ Не превышайте максимальный срок хранения.

Предупредительный сигнал повышения температуры может включаться в следующих случаях:

- прибор вводится в эксплуатацию. Загружать продукты на хранение следует после достижения установленной температуры;
- было загружено большое количество свежих продуктов. Включайте Суперзамораживание перед загрузкой большого количества продуктов;
- дверца морозильного отделения открыта слишком долго. Убедитесь, что замороженные продукты оттаяли или разморозились.

Выключение предупредительного сигнала повышения температуры

- ▶ Нажмите freezer
fridge.
- ✓ Предупредительный сигнал отключен.
- ✓ Индикатор температуры (морозильное отделение) показывает непродолжительное время самую высокую температуру, которая устанавливалась в морозильном отделении. После этого индикатор температуры (морозильное отделение) показывает установленную температуру.
- ✓ С этого момента самая высокая температура определяется и сохраняется в памяти прибора заново.

10 Холодильное отделение

Вы можете хранить мясо, колбасу, рыбу, молочные продукты, яйца, готовые блюда и хлебобулочные изделия в холодильном отделении.

Температура регулируется в диапазоне от 2 °C до 8 °C.

Благодаря холодному хранению вы также можете хранить скоропортящиеся продукты краткосрочно и среднесрочно. Чем ниже выбранная температура, тем дольше продукты сохранят свежесть.

10.1 Рекомендации по хранению продуктов в холодильном отделении

- Загружайте только свежие и неповрежденные продукты.
- Продукты должны быть герметично запакованы или храниться под закрытой крышкой.
- Чтобы не нарушать циркуляцию воздуха и не допускать замораживания продуктов, не размещайте продукты перед внутренними вентиляционными отверстиями или вплотную у задней стенки.
- Горячие блюда и напитки сначала следует охлаждать.
- Следите за указанными изготовителем сроками годности или сроками хранения продуктов.

10.2 Температурные зоны в холодильном отделении

Циркуляция воздуха в холодильной камере создает различные зоны холода.

Самая холодная зона

Самая холодная зона находится между нанесённой сбоку стрелкой и расположенной под ней полкой.

Рекомендация: Храните в самой холодной зоне скоропортящиеся продукты, например, рыбу, колбасу, мясо.

Самая тёплая зона

Самая тёплая зона находится в самой верхней части дверцы.

Рекомендация: Храните в зоне самой высокой температуры продукты с длительным сроком хранения, например твёрдый сыр и масло. За счёт этого аромат сыра будет раскрываться, а масло останется мягким.

11 Морозильное отделение

В морозильном отделении вы можете хранить замороженные продукты, замораживать продукты и делать кубики льда.

Температура регулируется в диапазоне от $-16\text{ }^{\circ}\text{C}$ до $-24\text{ }^{\circ}\text{C}$.

Для долгосрочного хранения продуктов рекомендуется температура $-18\text{ }^{\circ}\text{C}$ или ниже.

Хранение продуктов в замороженном состоянии позволяет сохранять скоропортящиеся продукты в течение длительного времени. Низкая температура замедляет или предотвращает порчу продуктов.

11.1 Производительность замораживания

Производительность замораживания указывает, какое количество продуктов и за какой период времени можно глубоко заморозить.

Данные о производительности замораживания указаны на типовой табличке.

→ Рис. 1/3

Условия для производительности замораживания

1. Примерно за 24 часа до загрузки свежих продуктов нажмите Суперзамораживание.
→ "Включение Суперзамораживание", Страница 51
2. Сначала положите продукты на полку морозильного отделения спереди.
3. Если места в передней части морозильного отделения окажется недостаточно, то оставшиеся продукты сложите спереди на дне морозильного отделения.

11.2 Размещение продуктов по всей площади морозильного отделения

Узнайте, как разместить максимальное количество замороженных продуктов в морозильном отделении.

1. Выньте все элементы оснащения из морозильного отделения.
→ Страница 57
2. Укладывайте продукты прямо на дно морозильного отделения.

11.3 Рекомендации по хранению продуктов в морозильном отделении

- Храните продукты в герметичной упаковке.
- Предназначенные для замораживания продукты не должны соприкасаться с ранее замороженными продуктами.
- Распределите продукты по большей площади в морозильном отделении.

11.4 Рекомендации по замораживанию свежих продуктов

- Замораживайте только свежие продукты в безупречном состоянии.
- Замораживайте продукты порциями.
- Готовые блюда лучше подходят для этого, чем сырые.
- Перед заморозкой следует промыть, порезать и бланшировать овощи.
- Перед заморозкой фруктов их следует помыть, удалить косточки и при необходимости очистить от кожуры, а также при необходимости добавить сахар или раствор аскорбиновой кислоты.
- Пригодными для замораживания продуктами являются хлебобулочные изделия, рыба и морепродукты, мясо, дичь, птица, яйца без скорлупы, сыр, сливочное масло, творог, готовые блюда и остатки блюд.
- Непригодными для замораживания продуктами являются листовая салат, редиска, яйца в скорлупе, виноград, целые яблоки и груши, йогурт, сметана, крем-фреш и майонез.

Упаковка продуктов для замораживания

Подходящий упаковочный материал и правильный тип упаковки в значительной мере сохраняют качество продукта и предотвращают его промерзание.

1. Положите продукты в упаковку.
2. Выдавите весь воздух.
3. Закройте упаковку герметично, чтобы продукты не утратили вкус и не высохли.
4. Укажите на упаковке ее содержимое и дату замораживания.

11.5 Срок хранения замороженных продуктов при -18 °C

Продукты	Срок хранения
Рыба, колбасные изделия, готовые блюда, хлебобулочные изделия	до 6 месяцев
Птица, мясо	до 8 месяцев
Овощи, фрукты	до 12 месяцев

Календарь сроков хранения замороженных продуктов указывает максимальный срок хранения в месяцах при постоянной температуре -18 °C.

11.6 Способы размораживания замороженных продуктов

ОСТОРОЖНО

Риск нанесения вреда здоровью!

В процессе размораживания возможно размножение бактерий, и замороженные продукты могут испортиться.

- ▶ Не замораживайте заново частично или полностью размороженные продукты.
- ▶ Замораживайте заново продукты только после варки или жарки.
- ▶ Не превышайте максимальный срок хранения.
- Продукты животного происхождения, например рыбу, мясо, сыр и творог, размораживайте в холодильном отделении.
- Хлеб размораживайте при комнатной температуре.
- Готовьте продукты для немедленного употребления в микроволновой печи, в духовом шкафу или на плите.

12 Система подачи воды

Ваш прибор оснащен компонентами для подачи воды.

12.1 Диспенсер воды

Сливайте холодную воду через диспенсер воды.

Наполнение резервуара для воды

ОСТОРОЖНО

Риск нанесения вреда здоровью!

При заполнении резервуара любыми жидкостями кроме питьевой воды качество подаваемой воды не гарантируется.

- ▶ Контейнер для воды можно наполнять только питьевой водой.

ВНИМАНИЕ!

Заполнение резервуара любыми жидкостями кроме питьевой воды может стать причиной засорения трубок системы подачи.

- ▶ Контейнер для воды можно наполнять только питьевой водой.
- ▶ Откройте заливное устройство резервуара для воды ① и заполните резервуар свежей питьевой водой до отметки ②.

→ Рис. 14

Получение воды

- ▶ Прижмите стакан к рычагу подачи.
 - Если забор воды не производился в течение 48 часов, ее вкус может стать «застоявшимся». Очистите резервуар для воды.
 - Если забор воды не производился в течение 5 дней, очистите резервуар для воды, наполните его свежей питьевой водой и промойте систему подачи воды. Для промывки системы подачи воды требуется 2 л воды.
- Рис. 15

13 Размораживание

13.1 Размораживание холодильного отделения

Холодильное отделение размораживается автоматически.

13.2 Размораживание в морозильном отделении

Благодаря полностью автоматической системе «NoFrost» внутри морозильного отделения лёд не образуется. Размораживание не требуется.

14 Очистка и уход

Для долговременной исправной работы прибора требуется его тщательная очистка и уход.

Чистку недоступных мест должны производить специалисты сервисной службы. Чистка специалистами сервисной службы может быть платной.

14.1 Подготовка прибора к очистке

1. Выключите прибор. → *Страница 50*
2. Отсоедините прибор от электросети. Извлеките из розетки вилку сетевого кабеля или выключите предохранитель в блоке предохранителей.
3. Выньте продукты и положите их в холодное место.
Положите на продукты питания аккумуляторы холода, если они есть.
4. Извлеките все элементы оснащения и принадлежности из прибора.
→ *Страница 57*
5. Снимите полку над контейнером для овощей и фруктов. → *Страница 58*

14.2 Очистка прибора

ПРЕДУПРЕЖДЕНИЕ

Опасность поражения электрическим током!

Проникшая в прибор влага может стать причиной поражения током.

- ▶ Не используйте для очистки прибора парочистители или очистители высокого давления.

Попадание жидкости в элементы системы освещения, в элементы управления или во внутренние вентиляционные отверстия может представлять опасность.

- ▶ Не допускайте попадания воды в систему освещения, в элементы управления или во внутренние вентиляционные отверстия.

ВНИМАНИЕ!

Неподходящие чистящие средства могут повредить поверхности прибора.

- ▶ Не используйте жесткие мочалки или губки.
- ▶ Не используйте агрессивные или абразивные чистящие средства.
- ▶ Не используйте чистящие средства с большим содержанием спирта.

При мытье элементов оснащения и принадлежностей в посудомоечной машине, они могут деформироваться или изменить цвет.

- ▶ Не мойте детали прибора и принадлежности в посудомоечной машине.
1. Подготовьте прибор к очистке.
→ *Страница 57*
 2. Очистите прибор, элементы оснащения, принадлежности и уплотнители дверцы с помощью тканевой салфетки и тёплой воды с небольшим количеством рН-нейтрального средства для мытья посуды.
 3. Вытрите насухо мягкой сухой салфеткой.
 4. Установите элементы оснащения и детали прибора.
 5. Подключите прибор к электросети.
→ *Страница 46*
 6. Загрузите продукты.

14.3 Извлечение элементов оснащения

Если вы хотите тщательно очистить элементы оснащения, выньте их из прибора.

Снятие полки

- ▶ Выдвиньте, приподнимите и снимите полку.
→ *Рис. 16*

Извлечение контейнера для перекусов с держателем

1. Извлеките контейнер для перекусов.
2. Извлеките полку с держателем.
3. Сдвиньте держатель в сторону полки.
→ *Рис. 17*

Снятие дверных полок

- ▶ Приподнимите и снимите дверные полки.
→ Рис. 18

Извлечение контейнера для хранения

1. Выдвиньте контейнер для хранения до упора.
2. Приподнимите спереди контейнер для хранения ① и выньте ②.
→ Рис. 19

Извлечение бокса для овощей и фруктов

1. Выдвиньте до упора контейнеры для овощей и фруктов.
2. Приподнимите контейнеры для фруктов и овощей ① и выньте ②.
→ Рис. 20

Извлечение генератора льда

1. Извлеките и опорожните форму для кубиков льда ① и контейнер для льда ②.
→ Рис. 21
2. Нажмите кнопку «Push» ①, чтобы освободить из крепления генератор льда и вынуть его ②.
→ Рис. 22
3. Поднимите держатель сзади и опустите его за полкой морозильного отделения ①. Снимите держатель, потянув на себя ②.
→ Рис. 23

Извлечение резервуара с водой

1. Приподнимите резервуар для воды и снимите его.
2. Снимите крышку с резервуара для воды и вылейте воду.

3. **ВНИМАНИЕ!** Острые предметы могут повредить уплотнитель.
- ▶ Запрещается использовать острые предметы для снятия уплотнителя.
Снимите уплотнитель с крышки.

→ Рис. 24

14.4 Снятие деталей прибора

Для тщательной очистки прибора, вы можете снять некоторые детали прибора.

Полка над контейнером для овощей и фруктов

Для тщательной очистки можно снять крышку контейнера для фруктов и овощей.

Снятие полки над контейнером для овощей и фруктов

1. Выньте контейнер для фруктов и овощей. → Страница 58
2. Выньте контейнер для хранения.
→ Страница 58
3. Приподнимите крышки контейнеров для фруктов и овощей ① и выньте их ②.
→ Рис. 25
4. Наклоните вбок полку над контейнером для фруктов и овощей ① и выньте ②.
→ Рис. 26

Установка полки над контейнером для овощей и фруктов

1. Вставьте полку над контейнером для фруктов и овощей, наклонив вбок, ① и опустите ②.
→ Рис. 27
2. Переведите регуляторы влажности в переднее положение.
→ Рис. 28

3. Установите крышки контейнеров для фруктов и овощей.

→ Рис. **29**

Следите за тем, чтобы крышки контейнеров для фруктов и овощей входили в отверстия под регуляторами влажности.

4. Установите контейнер для хранения и контейнер для фруктов и овощей.

→ Рис. **30**

15 Устранение неисправностей

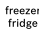


Вы можете самостоятельно устранить незначительные неисправности вашего прибора. Воспользуйтесь информацией из главы «Устранение неисправностей» перед обращением в сервисную службу. Это позволит избежать дополнительных расходов.

ПРЕДУПРЕЖДЕНИЕ

Опасность поражения электрическим током!

При неквалифицированном ремонте прибор может стать источником опасности.

- ▶ Ремонтировать прибор разрешается только квалифицированным специалистам.
- ▶ Для ремонта прибора можно использовать только оригинальные запчасти.
- ▶ Во избежание опасностей замена поврежденного сетевого кабеля данного прибора может быть выполнена только производителем или авторизованной им сервисной службой либо лицом, имеющим аналогичную квалификацию.

Неисправность	Причина и устранение неисправностей
Прибор не охлаждает, индикаторы и подсветка горят.	Включен демонстрационный режим. <ol style="list-style-type: none"> 1. Нажмите  и удерживайте не менее 15 секунд. 2. Проверьте спустя короткое время, охлаждает ли ваш бытовой прибор.
Светодиодная подсветка не работает.	Возможны различные причины. <ul style="list-style-type: none"> ▶ Обратитесь в сервисную службу. Номер сервисной службы можно найти в прилагаемом перечне сервисных служб.
Боковые панели прибора теплые.	Не является неисправностью. В боковых стенках проходят трубки, которые нагреваются в процессе охлаждения. Повреждение предметов мебели, соприкасающихся с прибором, под действием тепла не происходит. Никаких действий не требуется.
На индикаторе температуры появляется  или  .	Электроника установила ошибку. <ol style="list-style-type: none"> 1. Выключите прибор. → <i>Страница 50</i> 2. Отсоедините прибор от сети. Отсоедините прибор от электросети или выключите соответствующий предохранитель в блоке предохранителей. 3. Включите прибор снова через 5 минут. 4. Включите прибор. → <i>Страница 49</i> 5. Если сообщение появится на дисплее снова, обратитесь в сервисную службу. Номер сервисной службы можно найти в прилагаемом перечне сервисных служб.

Неисправность	Причина и устранение неисправностей
<p>Звучит предупредительный сигнал, мигает индикатор температуры (морозильное отделение), появляется ALARM и индикатор состояния загорается красным светом.</p>	<p>Возможны различные причины.</p> <ul style="list-style-type: none"> ▶ Нажмите ^{freezer} _{fridge}. ✓ Индикатор температуры (морозильное отделение) показывает непродолжительное время самую высокую температуру, которая устанавливалась в морозильном отделении. После этого индикатор температуры (морозильное отделение) показывает установленную температуру. ✓ Сигнализация выключается. ✓ Горит ALARM, пока температура не достигнет установленного значения. <hr/> <p>Дверца прибора открыта.</p> <ul style="list-style-type: none"> ▶ Закройте дверцу прибора. <hr/> <p>Было загружено большое количество свежих продуктов.</p> <ul style="list-style-type: none"> ▶ Не превышайте производительность замораживания. → "Производительность замораживания", Страница 54
<p>Установленное значение температуры не достигнуто.</p> <p>Полностью автоматическое размораживание больше не работает.</p>	<p>Дверца морозильного отделения была открыта в течение длительного времени. Испаритель (генератор холода) в системе NoFrost сильно обледенел.</p> <p>Требование: Замороженные продукты должны быть хорошо упакованы и храниться в прохладном месте.</p> <ol style="list-style-type: none"> 1. Выключите прибор. → Страница 50 2. Отсоедините прибор от сети. Отсоедините прибор от электросети или выключите соответствующий предохранитель в блоке предохранителей. 3. Отодвиньте прибор от стены. 4. Оставьте дверцу прибора открытой. ✓ Примерно через 20 минут талая вода начнёт стекать в сливное отверстие поддона в задней стенке прибора. → Рис. 31 5. Чтобы поддон не переполнялся, убирайте талую воду губкой. Испаритель оттаял, если в поддон больше не стекает вода. 6. Очистите прибор внутри. → Страница 57 7. Снова включите прибор. → Страница 49

Неисправность	Причина и устранение неисправностей
Температура существенно отличается от настроенной.	<p>Возможны различные причины.</p> <ol style="list-style-type: none"> 1. Выключите прибор. → <i>Страница 50</i> 2. Включите прибор примерно через 5 минут. → <i>Страница 49</i> <ul style="list-style-type: none"> – Если температура слишком высокая, проверьте ее через два часа. – Если температура слишком низкая, проверьте ее на следующий день.
На поверхности прибора и полках образуется конденсат.	<p>Вода, содержащаяся в теплом и влажном воздухе, конденсируется на более холодных поверхностях прибора.</p> <ol style="list-style-type: none"> 1. Убирайте воду мягкой сухой салфеткой. 2. Дверцы прибора закрывайте как можно быстрее. 3. Следите за тем, чтобы прибор всегда был правильно закрыт.
Прибор издаёт гул, булькающие звуки, гудит, дребезжит, щёлкает, трещит или шипит.	<p>Не является неисправностью. Работает двигатель, например холодильного агрегата или вентилятора. Хладагент течёт по трубам. Включаются или выключаются двигатель, выключатель или электромагнитные клапаны. Происходит автоматическое размораживание. Система NoFrost выполняет размораживание, капли воды испаряются. Никаких действий не требуется.</p>
Прибор издаёт шумы.	<p>Прибор установлен неровно.</p> <ul style="list-style-type: none"> ▶ Выровняйте прибор с помощью уровня или винтовых ножек. <hr/> <p>Прибор не является отдельно стоящим.</p> <ul style="list-style-type: none"> ▶ Соблюдайте минимальные расстояния от прибора. <hr/> <p>Плохо установлены элементы оснащения.</p> <ul style="list-style-type: none"> ▶ Проверьте извлечённые элементы оснащения и заново их установите. <hr/> <p>Бутылки или ёмкости касаются друг друга.</p> <ul style="list-style-type: none"> ▶ Отодвиньте бутылки или другие ёмкости друг от друга. <hr/> <p>Включено Суперзамораживание. Никаких действий не требуется.</p>

15.1 Отключение электро-энергии

Во время перебоев в подаче электро-энергии температура в приборе повышается, что сокращает время хранения и снижает качество замороженных продуктов.

На нашем веб-сайте в информации о технических характеристиках вашего прибора указано время хранения продуктов в замороженном состоянии в случае неисправности.

Примечания

- Во время отключения электроэнергии открывайте устройство как можно реже и не помещайте на хранение другие продукты.
- Проверьте качество продуктов сразу после возобновления подачи электроэнергии.
 - Выкиньте продукты, которые разморозились и температура которых составляет более 5 °С.
 - Слегка оттаявшие замороженные продукты сварите или поджарьте и употребите в пищу или снова заморозьте.

15.2 Выполнение самодиагностики прибора

Ваш прибор оснащен функцией самодиагностики, которая отображает неисправности, которые можно устранить через сервисную службу.

1. Выключите прибор. → *Страница 50*
2. Отсоедините прибор от электросети. Извлеките из розетки вилку сетевого кабеля или выключите предохранитель в блоке предохранителей.
3. Через 5 минут снова подключите прибор к электросети. → *Страница 46*
4. Включите прибор. → *Страница 49*

5. В течение 2 минут после включения нажмите ^{freezer} и ^{fridge} и удерживайте в течение 3 секунд, пока не раздастся звуковой сигнал.
 - ✓ Самодиагностика прибора запущена.
 - ✓ Если после завершения самодиагностики прибора, вы услышите 2 звуковых сигнала, а на дисплее температуры будет отображаться заданное значение, ваш прибор исправен. Прибор переходит в обычный режим.
 - ✓ Если по завершении самодиагностики звучит 5 звуковых сигналов, обратитесь в сервисную службу.

16 Хранение и утилизация

16.1 Вывод прибора из эксплуатации

1. Выключите прибор. → *Страница 50*
2. Отсоедините прибор от электросети. Извлеките из розетки вилку сетевого кабеля или выключите предохранитель в блоке предохранителей.
3. Выньте продукты.
4. Опорожните резервуар с водой.
5. Очистка прибора. → *Страница 57*
6. **ВНИМАНИЕ!** Застрававшие между дверцей и корпусом предметы могут повредить дверную петлю.
 - ▶ Откройте дверцу, чтобы она осталась в открытом положении.
 - ▶ Не зажимайте предметы между дверцей и корпусом.
 Для обеспечения вентиляции внутреннего пространства оставьте прибор открытым.

16.2 Утилизация старого бытового прибора

Утилизация в соответствии с экологическими нормами обеспечивает возможность вторичного использования ценных сырьевых материалов.

ПРЕДУПРЕЖДЕНИЕ

Риск нанесения вреда здоровью!

Дети могут оказаться запертыми в приборе и подвергнуть свою жизнь опасности.

- ▶ Чтобы дети не смогли забраться внутрь, не извлекайте из прибора полки и контейнеры.
- ▶ Отслуживший прибор держать вдали от детей.

ПРЕДУПРЕЖДЕНИЕ

Опасность возгорания!

При поврежденных трубках горючий хладагент и вредные газы могут протечь и воспламениться.

- ▶ Не допускайте повреждения труб контура циркуляции хладагента и изоляции.
1. Выньте из розетки вилку сетевого кабеля.
 2. Обрежьте сетевой кабель прибора.
 3. Утилизируйте прибор в соответствии с экологическими нормами.

Сведения о возможных способах утилизации можно получить в специализированном торговом предприятии, а также в районных или городских органах управления.



Данный прибор имеет отметку о соответствии европейским нормам 2012/19/EU утилизации электрических и электронных прибо-

ров (waste electrical and electronic equipment - WEEE).

Данные нормы определяют действующие на территории Евросоюза правила возврата и утилизации старых приборов.

17 Сервисная служба

Подробную информацию о гарантийном сроке и условиях гарантии в вашей стране вы можете запросить в нашей сервисной службе, у вашего продавца или найти на нашем сайте.

При обращении в сервисную службу укажите номер изделия (E-Nr.) и заводской номер (FD) прибора.

Адрес и телефон сервисной службы можно найти в прилагаемом перечне сервисных служб или на нашем веб-сайте.

Для доступа к контактам служб клиентского сервиса, вы также можете использовать данный QR код.

<https://www.bosch-home.ru>



Импортер/Организация, принимающая претензии по качеству/ ТОО «BSH Home Appliances (БСХ Хоум Аплайансэс)»

Республика Казахстан, г. Алматы, ул.

Хаджи Мукана, 22/5, 7 этаж

e-mail: ala-infokz@bshg.com

Срок службы устройства – 7 лет.

На территории Республики Казахстан, при обнаружении неисправности, звоните в сервисный контакт-центр 5454 (только для мобильных телефонов).

Сделано в Турции

17.1 Номер изделия (E-Nr.) и заводской номер (FD)

Номер изделия (E-Nr.) и заводской номер (FD) вы найдете на фирменной табличке своего прибора.

→ Рис. **1** / **3**

Чтобы быстро найти данные прибора и номер телефона сервисной службы, вы можете записать эти данные.

18 Технические характеристики

Хладагент, полезный объем и прочие технические данные указаны на типовой табличке.

→ Рис. **1** / **3**

Қосымша ақпарат алу үшін цифрлық пайдаланушы нұсқаулығын қараңыз.



Мазмұны

1 Қауіпсіздік	68		
1.1 Жалпы нұсқаулар	68		
1.2 Тиісті ретте пайдалану	68		
1.3 Пайдаланушыларды шектеу ...	68		
1.4 Қауіпсіз тасымалдау	68		
1.5 Қауіпсіз орнату	69		
1.6 Қауіпсіз пайдалану	70		
1.7 Зақымдалған құрылғы	72		
2 Материалдық зияндардың алдын алу	74		
3 Қоршаған ортаны қорғау және сақтау	74		
3.1 Буып-түйетін нәрселерді кәдеге жарату	74		
3.2 Энергия үнемдеу	74		
4 Орнату және қосу	75		
4.1 Жеткізу жинағы	75		
4.2 Құрылғыны орнататын орынды таңдау критерийлері	75		
4.3 Құрылғыны орнату	76		
4.4 Құрылғыны пайдалана бастауға дайындау	76		
4.5 Құрылғыны электрге қосу	76		
5 Танысу	76		
5.1 Құрылғы	76		
5.2 Басқару панелі	77		
6 Жабдықтау	78		
6.1 Сөре	78		
6.2 Өзгермелі сөре	78		
6.3 Тіскебасар салатын контейнер	78		
6.4 Сақтау үшін контейнері	78		
		6.5 Ылғалды реттеп тұратын, көкөністер мен жемістер салатын контейнер	78
		6.6 Есік сөресі	79
		6.7 Мұз генераторы	79
		6.8 Керек-жарақтар	79
7 Негізгі басқару	80		
7.1 Құрылғыны қосыңыз	80		
7.2 Құрылғы жұмысына қатысты нұсқаулар	80		
7.3 Құрылғыны өшіру	80		
7.4 Температураны орнату	80		
7.5 Пернелерді бұғаттау (балалар қауіпсіздігі үшін бұғаттау)	81		
8 Қосымша функциялар	81		
8.1 Супер салқындату функциясы	81		
8.2 Супер мұздату функциясы	82		
8.3 Демалыс режимі	82		
8.4 Электр энергиясын үнемдеу режимі	82		
8.5 Балғын күйде сақтау режимі	83		
9 Сигнал	83		
9.1 Есік сигналы	83		
9.2 Қызып кету туралы дыбыстық белгі	83		
10 Тоңазытқыш бөлімі	84		
10.1 Тоңазытқыш бөлімде азық-түліктер сақтау жөніндегі кеңестер	84		
10.2 Тоңазытқыш бөлімдегі температуралық зоналар	84		

11 Мұздатқыш бөлімі.....	84	17 Сервистік қызмет көрсету ...	94
11.1 Мұздату өнімділігі.....	85	17.1 Артикул нөмірі (Е нөмірі) және өндіру нөмірі (ӨК).....	95
11.2 Азық-түліктерді мұздатқыш бөлім ішіне тұтастай орналастыру.....	85	18 Техникалық деректер.....	95
11.3 Мұздатқыш бөлімде азық- түліктер сақтау жөніндегі кеңестер.....	85		
11.4 Балғын өнімдерді мұздатуға қатысты кеңестер.....	85		
11.5 -18 °С-тағы мұздатылған өнімдердің сақталу мерзімі.....	86		
11.6 Мұздатылған өнімдерді еріту тәсілдері.....	86		
12 Су жіберу жүйесі.....	86		
12.1 Су диспенсері.....	86		
13 Еріту	87		
13.1 Тоңазытқыш бөлімді еріту.....	87		
13.2 Мұздатқыш бөлімде еріту.....	87		
14 Тазалау және күту	87		
14.1 Құрылғыны тазалауға дайындау	87		
14.2 Құрылғыны тазалау	87		
14.3 Жабдықтау элементтерін шығарып алыңыз.....	88		
14.4 Құрылғының бөлшектерін шешу	89		
15 Ақауларды жою	90		
15.1 Электр қуаты жоқ.....	93		
15.2 Құрылғының өз-өзіне диагностика жасауы.....	93		
16 Сақтау және кәдеге жарату.....	93		
16.1 Құрылғыны пайдалануды тоқтату.....	93		
16.2 Ескі құрылғыны кәдеге жарату.....	94		



1 Қауіпсіздік

Келесі қауіпсіздік техникасының нұсқауларын ескеріңіз.

1.1 Жалпы нұсқаулар

- Бұл нұсқаулықты мұқият оқып шығыңыз.
- Нұсқаулықты және өнім мөлiмeттерiн келешекте пайдалану үшін сақтап қойыңыз.
- Құрылғыны тасымалдау зақымдары болғанда қоспаңыз.

1.2 Тиісті ретте пайдалану

Құрылғыны тек төмендегідей пайдаланыңыз:

- Азық-түліктерді суыту және тоңазыту, мұз текшелерің дайындау және сонымен қатар диспенсерден су жинау үшін.
- жеке үйлерде және үйдегі жабық бөлмелерде.
- теңіз деңгейінен 2000 м биіктікке дейін.

1.3 Пайдаланушыларды шектеу

Бұл құрылғыны жасы 8-дегі және одан үлкен балалардың, сонымен қатар қозғалу, сезу және ойлану мүмкіндіктері шектелген және/немесе жеткілікті білімі жоқ тұлғалардың пайдалануына тек оларды біреу қадағалаған жағдайда немесе осы құрылғыны қауіпсіз пайдалану нұсқауларымен таныс болса және дұрыс пайдаланбау салдарынан қандай қауіптердің орын алатынын түсінетін болса ғана пайдалануларына болады. Балаларға осы құрылғымен ойнауға рұқсат етпеңіз. Балаларға ересектер қадағалауысыз тазалау және алдын алу қызметі үшін орындалатын әрекеттерді орындауға рұқсат етпеңіз.

1.4 Қауіпсіз тасымалдау

ЕСКЕРТУ – Жарақаттану қатері!

Жоғары құрылғы салмағы көтерілгенде жарақаттануға апаруы мүмкін.

- ▶ Құрылғы өзіңіз көтермеңіз.

1.5 Қауіпсіз орнату

⚠ ЕСКЕРТУ – Электрик тоқ соғу қатері бар!

Дұрыс емес жасалған орнатулар қауіпті болып табылады.

- ▶ Бұйымды тек қана бұйым тақташасында көрсетілген мөлiметтері бойынша iске қосып қолданыңыз.
- ▶ Құрылғыны тек ережелер бойынша орнатылған жерге қосылған розетка арқылы айнымалы тоқ желісіне қосыңыз.
- ▶ Ішкі электр сымдарының жерге тұйықтау жүйесінің ережелерге сәйкес лайықты түрде орнатылуы тиіс.
- ▶ Құрылғыны сыртқы қосқышпен, мысалы, таймермен немесе қашықтан басқару пультімен жабдықтауға тыйым салынады.
- ▶ Егер құрылғы кіріктірілген болса, желілік кабель ашасына еркін қол жеткізу мүмкіндігі болуы қажет немесе бұл мүмкін болмаса, стационарлық электр қондырғысында орнату шарттарына сәйкес ажыратқыш құрылғы орнатылуы қажет.
- ▶ Құрылғыны орнатуда желіге қосу сымы қысылмағанына немесе зақымдалмағанына тексеріңіз.

Желіге қосу сымының зақымдалған оқшаулауы қауіпті.

- ▶ Еш жағдайда желі кабелін жылу көздеріне тигізбеңіз.

⚠ ЕСКЕРТУ – Жарылу қауіпі!

Құрылғының желдету саңылаулары жабық тұрса, хладагент аққанда жанғыш ауа-газ қоспасы түзілуі мүмкін.

- ▶ Құрылғы корпусы мен енгізу корпусындағы желдету саңылауларын жауып тастамаңыз.

⚠ ЕСКЕРТУ – Өрт шығу қатері!

Ұзартылған желілік кабельді және рұқсат етілмеген адаптерді пайдалану қауіпті болып табылады.

- ▶ Ұзартқыш кабельді немесе көп ұялы қалыптарды пайдаланбаңыз.
- ▶ Тек қана өндіруші рұқсат еткен адаптер мен желілік кабельдерді пайдаланыңыз.

- ▶ Желілік кабель тым қысқа болып, ұзынырақ желілік сым қолжетімді болмаса, үй ішіндегі сымдар жүйесін реттеу үшін электр қуатымен айналысатын арнайы кәсіпорынға хабарласыңыз.

Көпконтактілі тасымалдағыш розеткалар мен тасымалдағыш желілік тізбектер қызып кетіп, өрт тууына себеп болуы мүмкін.

- ▶ Көпконтактілі розеткаларды немесе тасымалдағыш желілік тізбектерді құрылғының артқы қабырғасына қоймаңыз.

1.6 Қауіпсіз пайдалану

⚠ ЕСКЕРТУ – Электрик тоқ соғу қатері бар!

Ішке кірген ылғал ток соғуға әкелуі мүмкін.

- ▶ Құрылғыны тек жабық бөлмелерде пайдаланыңыз.
- ▶ Құрылғыға қатты жылудың немесе ылғалдың тиюіне жол бермеңіз.
- ▶ Құрылғыны тазалау үшін булап тазартқыш немесе жоғары басымдылықты булап тазартқышты пайдаланбаңыз.

⚠ ЕСКЕРТУ – Тұншығып қалу қатері!

Балалар орама материалын бастарына киіп немесе оралып тұншығып қалуы мүмкін.

- ▶ Орама материалды балалардан алыс ұстаңыз.
 - ▶ Балаларға орам материалдарымен ойнауға рұқсат етпеңіз.
- Балалар кіші бөлшектерді деммен жұтып немесе жұтып тұншығып қалуы мүмкін.
- ▶ Кіші бөлшектерді балалардан алыс ұстаңыз.
 - ▶ Балаларға кіші бөлшектерді ойнауға рұқсат етпеңіз.

⚠ ЕСКЕРТУ – Жарылу қауіпі!

Егер салқындатқыштың тізбегі зақымдалған болса, жанғыш хладагент кетіп, жарылыс тудыруы мүмкін.

- ▶ Тез ерітіп-жібіту үшін, өндіруші ұсынғаннан бөлек механикалық жабдықтарды немесе құралдарды пайдаланбаңыз.
- ▶ Мұздатылған тағамды бөлу үшін ағаш қасық сабы сияқты доғал затты пайдаланыңыз.

Жанғыш әрі ығыстырғыш газдары бар өнімдерді және аэрозольді баллондар секілді жарылу қаупі бар заттар жарылып кетуі мүмкін.

- ▶ Жанғыш әрі қыздырғыш газдары бар өнімдер мен жарылу қаупі бар заттарды құрылғының ішінде сақтамаңыз.

⚠ ЕСКЕРТУ – Өрт шығу қатері!

Құрылғы ішінде электр құрылғыларын (мәселен, қыздырғыштар немесе балмұздақ дайындайтын электрлік құралдар) пайдалану салдарынан өрт тууы мүмкін.

- ▶ Құрылғының ішінде электрлік құрылғылар қолданбаңыз.

⚠ ЕСКЕРТУ – Жарақаттану қатері!

Газданған ішімдіктер құйылған ыдыстар жарылуы мүмкін.

- ▶ Газдалған ішімдіктер құйылған ыдыстарды мұздатқыш бөлімге салмаңыз.

Жанғыш хладагент пен зиянды газдардың ағып кетуінен көзге зақым тиюі мүмкін.

- ▶ Хландагент жүйесінің құбырлары мен оқшаулағышқа зақым келтірмеңіз.

Құрылғы аударылып кетуі мүмкін.

- ▶ Тіректерді, суырмаларды және есіктерді баспаңыз және оларға сүйкенбеңіз.

⚠ ЕСКЕРТУ – Күйіп қалу қатері!

Құрылғының артқы қабырғасындағы кей бөлшектер жұмыс барысында қызып кетеді.

- ▶ Құрылғының қызып тұрған бөлшектеріне ешқашан тимеңіз.

⚠ ЕСКЕРТУ – Үсу қауіп-қатері!

Мұздатылған өнімдер мен суық беттерді ұстаудан да жарақат алу қаупі бар.

- ▶ Ешқашан мұздатылған өнімдерді мұздатқыш бөлімнен шығарған бойда ұстамаңыз.
- ▶ Теріні мұздатылған өнімдерге, мұзға және мұздатқыш бөлімдегі құбырларға ұзақ уақыт тигізбеңіз.

⚠ БАЙҚА – Деңсаулыққа зиян келтіру қауіпі!

Азық-түліктердің ластанып кетуін болдырмас үшін, төменде көрсетілген нұсқауларды орындаңыз.

- ▶ Есіктер ұзақ уақыт бойы ашық қалса, құрылғы ішіндегі кей бөліктердегі температура көтеріліп кетуі мүмкін.
- ▶ Азық-түліктермен жанасуы мүмкін беттер мен кептіру жүйелерінің шығып тұрған бөліктерін жиі тазалап тұрыңыз.
- ▶ Су резервуары соңғы 48 сағат ішінде пайдаланылмаған болса, оны да тазалап жіберіңіз. 5 күн ішінде су пайдаланылмаған болса, су жіберу жүйесін шайып жіберіңіз.
- ▶ Шикі ет пен балықты тоңазытқыштың тиісті контейнерлерінде, олар басқа өнімдерге тиіп және тамып кетпейдіндей етіп сақтаңыз.
- ▶ Егер тоңазытқыш/мұздатқыш ұзақ уақыт бойы тоқтап қалса, құрылғыны өшіріңіз де, жібітіп, тазалап алыңыз, содан соң көгеріп кетпес үшін есікті ашық қалдырыңыз.

Құрылғының металдан немесе сырты металға ұқсас өнімдерден жасалған бөлшектерінің құрамында алюминий болуы мүмкін.

Құрамында қышқыл бар өнімдер құрылғының алюминийден жасалған бөлшектерімен жанасқанда, алюминий иондары өнімнің ішіне еніп кетеді.

- ▶ Мұндай өнімдерді тағам ретінде пайдаланбаңыз.

1.7 Зақымдалған құрылғы

⚠ ЕСКЕРТУ – Электрик тоқ соғу қатері бар!

Зақымдалған құрылғы немесе зақымдалған желіге қосу сымы қауіпті болады.

- ▶ Тек қана зақымдалған құрылғыны пайдаланыңыз.
- ▶ Құрылғыны электр желісінен ажырату үшін желілік кабельден тартуға тыйым салынады. Желіге қосу кабелді ашасынан тартыңыз.
- ▶ Құрылғы немесе желілік кабель зақымданған жағдайда, желі кабелінің ашасын розеткадан дереу шығарып алыңыз немесе сақтандырғыш блогындағы сақтандырғышты өшіріңіз.
- ▶ Қолдау көрсету қызметіне хабарласыңыз. → *Бет94*

Тиісті болмаған жөндеулер қауіпті болып табылады.

- ▶ Құрылғыдағы жөндеу жұмыстарын тек білікті мамандар орындай алады.
- ▶ Құрылғыны жөндеу үшін тек түпнұсқа бөлшектері ғана пайдаланылуы мүмкін.
- ▶ Осы бұйымның желі кабелі бұзылып зақымданған күйде болса, қауіптердің пайда болуын болдырмау үшін, оның шығарушы немесе техникалық қызмет көрсету орталығының маманы арқылы, немесе осыларға ұқсас арнайы білімі бар адам тарабынан ауыстырылуы қажет.

⚠ ЕСКЕРТУ – Өрт шығу қатері!



Түтіктер зақымдалған болса, жанғыш хладагент пен зиянды газдар ағып, тұтанып кетуі мүмкін.

- ▶ Құрылғыны ашық жалыннан және тұтанғыш көздерден аулақ ұстаңыз.
- ▶ Бөлмені желдетіңіз.
- ▶ Құрылғыны өшіріңіз. → *Бет80*
- ▶ Желі сымын қоректендіру сымынан ажыратыңыз немесе сақтандырғыштар блогындағы сақтандырғышты өшіріңіз.
- ▶ Қолдау көрсету қызметіне хабарласыңыз. → *Бет94*

2 Материалдық зияндардың алдын алу

НАЗАР АУДАРЫҢЫЗ!

Құрылғыны тасымалдау барысында оның роликтері қисайып кететіндіктен, еденді зақымдауы мүмкін.

- ▶ Құрылғыны арбаға салып тасымалдаңыз.
- ▶ Құрылғыны тасымалдағанда, оны ирек жолмен жылжытыңыз және еденге арналған қорғаныш құралын қолданыңыз.

Құрылғыны, жертөлени, тартылатын элементтерді немесе есіктерді орындық немесе көтергіш бет ретінде пайдалану құрылғыға зақым келтіруі мүмкін.

- ▶ Құрылғыға, жертөлеге, тартылатын элементтерге немесе есіктерге баспаңыз немесе сүйенбеңіз.

Май мен майлауыштардың тиіп кетуінен, есіктің нығыздауыштары мен пластмасса бөлшектерінде ұсақ тесіктер пайда болуы мүмкін.

- ▶ Пластмасса бөлшектер мен есік нығыздауыштарына май немесе майлауыштардың тиіп кетуіне жол бермеңіз.

Құрылғының металдан немесе сырты металға ұқсас өнімдерден жасалған бөлшектерінің құрамында алюминий болуы мүмкін. Алюминий, құрамында қышқыл бар өнімдермен жанасқанда реакцияға түседі.

- ▶ Құрылғының ішіне өнімдерді орамасыз сақтамаңыз.

Жабдықтау элементтері мен құрал-саймандарды ыдыс жуғыш машинада жуғанда, олардың пішіні мен түсі өзгеруі мүмкін.

- ▶ Құрылғы бөліктері мен керек-жарақтарын ыдыс жуғышта жумаңыз.

3 Қоршаған ортаны қорғау және сақтау

3.1 Буып-түйетін нәрселерді кәдеге жарату

Орауыш материалдары қоршаған ортаға зиян тигізбейді және оларды қайта өңдеуге болады.

- ▶ Бөлек компоненттерді ажыратып, сұрыптары бойынша кәдеге жаратыңыз.

3.2 Энергия үнемдеу

Егер төмендегі нұсқауларды орындасаңыз құрылғы кемірек тоқ тұтынады.

Орнататын орынды таңдау

- Құрылғыны тік күн сәулелерінің әсерінен қорғаңыз.
- Құрылғыны жылытқыш радиаторлардан, пештер мен өзге де жылу көздерінен алшақ ұстаңыз:
 - Электрлік немесе газ плиталарынан 30 мм қашықтықты сақтаңыз.
 - май немесе көмір пештерінен 300 мм қашықтықты сақтаңыз.
- Бүйір қабырғаға дейінгі 50 мм қашықтықты сақтаңыз.
- Сыртқы желдеткіш торларды жаппаңыз және алдына ештеңе қоймаңыз.

Құрылғыны пайдалану барысында электр энергиясын үнемдеу

Жазба: Жабдықтардың орналасуы, құрылғының электр энергиясының шығынына әсер етпейді.

- Құрылғының есігін тек аз уақытқа ашыңыз және оны мұқият жабыңыз.

- Сыртқы және ішкі желдеткіш торларды жаппаңыз және алдына ештеңе қоймаңыз.
- Сатып алынған азық-түліктерді тоңазытқыш сөмкемен тасымалдап, дереу құрылғы ішіне салыңыз.
- Тоңазытқышқа сақтап қойған алдында тағамдарды және сусындықтарды суытып алыңыз.
- Мұздатылған өнімдердің бойындағы салқынды пайдалану үшін, оларды ерітерде тоңазытқыш бөлімге салыңыз.
- Әрдайым азық-түліктер мен артқы қабырға арасында кішкене бос орын қалдырып қойыңыз.

Күту режимі

Егер құрылғы пайдалынбаса, дисплей автоматты түрде күту тәртібіне ауысады.

Күту режимінде басқару элементтің жарықтылығы азаяды жəну күй индикаторы ақ түспен жанады.

4 Орнату және қосу

4.1 Жеткізу жинағы

Жеткізілген соң барлық бөлшектерді тексеріп, жинақтың толық екеніне және онда еш зақым жоқ екеніне көз жеткізіңіз.

Дағуалар болса, дилеріңізге немесе біздің мүшелер қызметімізге

→ *Бет94* хабарласыңыз.

Жеткізу жинағының құрамы:

- Автономдық блок
- Жабдықтау элементтері мен құрал-саймандар¹
- Орнатуға арналған материал

- Құрылғыны орнату жөніндегі нұсқаулар
- Пайдалану нұсқаулығы
- Қызмет көрсету орталығының тізбесі
- Кепілдік талоны²
- Энергия тұтыну туралы ақпарат жазылған жапсырма
- Электр қуатын пайдалану және дыбыстар жөнінде мәліметтер

4.2 Құрылғыны орнататын орынды таңдау критерийлері

ЕСКЕРТУ **Жарылу қауіпі!**

Ауданы шағын бөлмелерде хладагент төгіліп кеткен жағдайда, тұтануы мүмкін газ бен ауа қоспасы пайда болуы мүмкін.

- ▶ Құрылғыны ауданы 1 м³-қа 8 г хладагент келетіндей болатын бөлмеге ғана орнатыңыз. Хладагенттің мөлшері құрылғының ішіндегі зауыттық тақтайшада көрсетілген.

→ *Сур. 1 / 3*

Құрылғының салмағы зауыттық үлгіге қарай 110 кг-ға дейін болуы мүмкін.

Құрылғының салмағына шыдау үшін, орнатылатын бет жеткілікті деңгейде мықты болуы керек.

Рұқсат етілген бөлме температурасы

Рұқсат етілген бөлме температурасы құрылғының климаттық сыныптамасына байланысты.

¹ Құрылғы жабдықталуына сай

² Барлық елдерде бола бермейді

kk Танысу

Электрбұйымның климаттық сыныптамасы оның техникалық ақпарат тақтайшасында көрсетілген. → Сур. 1/3

Климаттық сыныптама	Рұқсат етілген бөлме температурасы
SN	10–32 °C
N	16–32 °C
ST	16–38 °C
T	16–43 °C

Құрылғы рұқсат етілген бөлме температурасында толық жұмыс істей алады.

Бөлме температурасы едәуір төмен болған жағдайда SN климаттық сыныптамасындағы құрылғыны пайдаланса, құрылғының зақымдалуын болдырмас үшін бөлме температурасының 5 °C болғаны жеткілікті.

Үстінен және астынан және қатарлап орналасуы

2 тоңазытқыш құрылғыны үсті-үстінен немесе қатар орналастырғыңыз келсе, олардың арасында, кем дегенде 150 мм-лік қашықтық сақталуы тиіс. Таңдалған құрылғыларды бір-біріне жақын орнатуға болады. Дилерден немесе ас үйді жоспарлаушылардан сұраңыз.

4.3 Құрылғыны орнату

- ▶ Құрылғыны берілген орнату нұсқауларына сәйкес орнатыңыз.

4.4 Құрылғыны пайдалана бастауға дайындау

1. Ақпараттық материалдарды шығарыңыз.

2. Жабысқақ таспа мен картон секілді тасымалдау бекіткіштерін және қорғаныш қабығын шешіңіз.
3. Алғаш рет қолданар алдында құрылғыны тазалап алыңыз. → Бет87

4.5 Құрылғыны электрге қосу

1. Құрылғының желіге қосу кабелінің ашасын құрылғыға жақын орналасқан розеткаға қосыңыз. Құрылғының қосу деректері зауыттық тақтайшада тұрады. → Сур. 1/3
 2. Желі айырын қатты тұруына тексеріңіз.
- ✓ Құрылғы енді жұмыс істеуге дайын.

5 Танысу

5.1 Құрылғы

Осы жерде құрылғының бөлшектеріне шолуды табасыз. → Сур. 1

A Мұздату бөлімшесі → Бет84

B Суыту бөлімшесі → Бет84

1 Жарық

2 Мұз генераторы → Бет79

3 Зауыттық тақтайша → Бет95

4 Тіскебасар салатын контейнер → Бет78

5 Температура реттегіші (сақтау контейнері) → Бет81

6 Сақтау үшін контейнері → Бет78

-
- 7** Ылғалды реттеп тұратын, көкөністер мен жемістер салатын контейнер → *Бет78*
-
- 8** Басқару панелі → *Бет77*
-
- 9** Ішкі желдеткіш шілтері (тоңазытқыш бөлімшесі)
-
- 10** Су диспенсері → *Бет86*
-
- 11** Өзгермелі сөре → *Бет78*
-
- 12** Бөтелке қоятын есік сөрелері → *Бет79*
-
- 13** Бұрандалы табан
-

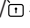
Жазба: Жабдықтау элементтері мен құрылғыңыздың өлшемдері суреттегіден ерекшеленуі мүмкін.

5.2 Басқару панелі

Басқару панелі арқылы құрылғының барлық функцияларын реттеуге және жұмыс күйі туралы мәліметтерді алуға болады.

→ *Сур. 2*

-
- 1** Мұздатқыш бөлімдегі температураны °C-мен көрсетеді.
-
- 2** **ALARM** температураны өзгерту сигналы қосулы тұрғанда жанып тұрады.
-
- 3** **superfreeze** таңбасы Супер мұздату функциясы қосулы тұрғанда жанып тұрады.
-
- 4** f freezer
fridge бөлімді таңдау үшін, температураны өзгерту үшін немесе белгілі бір қосымша функцияларды қосу үшін қолданылады.
-
- 5** Тоңазытқыш бөлімдегі температураны °C-мен көрсетеді.
-

-
- 6** **ALARM** есік ашық әрі сигнализация жүйесі қосулы тұрғанда жанып тұрады.
-
- 7** **supercool** таңбасы Супер салқындату функциясы қосулы тұрғанда жанып тұрады.
-
- 8** **fresh** таңбасы, өнімдерді балғын күйде сақтау режимі қосулы тұрғанда жанып тұрады.
-
- 9**  таңбасы, «Демалыс» режимі қосулы тұрғанда жанып тұрады.
-
- 10** **mode** режимдерді таңдау қызметін атқарады.
-
- 11**  таңбасы энергияны үнемдеу режимі қосулы тұрғанда жанып тұрады.
-
- 12** **+/-** таңдалған бөлімдердегі температураны орнатады.
-
- 13** Күй индикаторы құрылғының жұмыс режимін көрсетеді.
-
- 14** **lock** басқару панелінің бұғаттау түймелерің қосады немесе сөндіреді.
-
- 15** **super** таңдалған бөлімдердегі **supercool** және **superfreeze** қосып, өшіреді.
-
- 16** Түймелерді бұғаттау қосулы немесе өшірілу болып тұрғанда  ^{3s}/ ^{3s} жанып тұрады.
-

6 Жабдықтау

Құрылғыңыздың жеткізу жинағы оның үлгісіне қарай ерекшеленуі мүмкін.

6.1 Сөре

Сөрениң орнын ауыстырғыңыз келсе, оны шығарып алып, басқа жерге орнатыңыз.

→ "Сөрелерді шешу", Бет88

6.2 Өзгермелі сөре

Төменгі сөреде биік ыдысқа, мәселен, банка немесе бөтелкеге салынған өнімдерді сақтайтын болсаңыз, вариативтік сөрени қолданыңыз.

Өзгермелі сөрени қолдану

1. Өзгермелі сөрени сол жағынан ұстап тұрып, бекіткіштердің бұғаты ашылғанша оң жағынан тарта беріңіз.

→ Сур. 3

2. Өзгермелі сөрени оң жағынан сәл көтеріп, өзіңізге қарай тартып ①, шығарып алыңыз ②.

→ Сур. 4

3. Өзгермелі сөрениң оң жақ бөлігін соңына дейін, сөрениң сол жағына түсетіндей етіп итеріңіз.

→ Сур. 5

6.3 Тіскебасар салатын контейнер

Шағын тағамдар үшін контейнерлерде оралған тағамдарды немесе жеңіл тамақтарды сақтаңыз. Жеңіл тамақ үшін контейнерді шығарып алу мүмкін. Бұл үшін жеңіл тамақ үшін контейнерді көтеріп

алып, шығарып алыңыз. Жеңіл тамақ үшін контейнердің бекіткішті жылжыту мүмкін.

→ Сур. 6

6.4 Сақтау үшін контейнері

Сақтау контейнердің температура деңгейі тоңазыту камерасындағы деңгейден төменірек. Температура уақытша 0 °C төмен түсуі мүмкін.

Сақтау контейнердегі температураны 0 °C-қа жақын ұстау үшін, тоңазытқыш бөлімнің температурасын 2 °C-қа қойыңыз.

→ Бет80

Балық, ет және шұжық секілді тез бұзылатын өнімдерді сақтау үшін, өнімдерді балғын күйде сақтау үшін сақтау контейнерде аса төмен температураны орнатыңыз.

6.5 Ылғалды реттеп тұратын, көкөністер мен жемістер салатын контейнер

Оралмаған жаңа піскен жемістер мен көкөністерді жеміс-көкөніс контейнерде сақтаңыз. Кесілген жемістер мен көкөністерді жабыңыз немесе ауа өткізбейтін контейнерде сақтаңыз.

Ылғалды реттегіш пен арнайы нығыздауыштың көмегімен жемістер мен көкөністер салатын контейнердегі ылғалды реттеуге болады. Осылайша балғын көкөніс пен жемістерді қалыпты әдіспен салыстырғанда екі есеге дейін ұзағырақ уақыт сақтауға болады.

→ Сур. 7

Жүктелген өнімдердің түрі мен санына байланысты, жемістер мен көкөністерге арналған қораптағы ылғалдылықты басу арқылы ылғалдылықты орнату:

- Сақталатын азық-түліктің көп бөлігі жемістер болғанда және көп азық-түлік салатын жағдайдағы \odot төмен ылғалдық.
- Көп мөлшерде көкөністер сақтағанда немесе жүктеме төмен болғандағы $\bullet\bullet$ жоғары ылғалдылық.

Жемістер мен көкөністер салатын контейнерде сақталатын азық-түліктердің мөлшері мен көлеміне қарай конденсат түзілуі мүмкін. Конденсацияланған суды құрғақ шүберекпен сүртіп алыңыз және ылғалдылық реттегішінің көмегімен төмен ылғалдылық деңгейін орнатыңыз.

Өнімнің сапасы мен иісін сақтап қалу үшін, суыққа төзбейтін жемістер мен көкөністерді мысалы ананас, банан, цитрус жемістері, қияр, асқабақ, қоңыр бұрыш, қызанақ және картоп, тоңазытқыштан тыс жерде шамасымен 8 °C ден 12 °C дейін температурада сақтаңыз.

6.6 Есік сәресі

Егер есік сәрелерінің орнын ауыстырып қойғыңыз келсе, оларды шығарып алып, басқа жерге қойыңыз.

→ "Есік сәрелерін шешу", Бет88

6.7 Мұз генераторы

Мұз генераторын ауыз судан мұз текшелерін әзірлеу үшін қолданыңыз.

Мұз текшелерін дайындау

Мұз текшелерін дайындау үшін, тек қана ауыз су пайдаланыңыз.

1. Мұз текшелерін жасайтын ыдысты шығарып ①, оның $\frac{3}{4}$ бөлігіне ауыз су толтырып ②, қайтадан орнына салыңыз ③.

→ Сур. **8**

Жазба: Тым көп мөлшердегі су мұз генераторының жұмысын бұзуы мүмкін. Мұз текшелері мұз текшелерін жасайтын ыдыстан бөлек шығарып алынбайды. Егер мұз контейнеріне тым көп су құйылып кетсе, ондағы мұз текшелері қатып қалады.

2. Мұз текшелері дайын болған кезде, мұз текшесі контейнерінің тұтқасын бірнеше рет оңға бұрап, босатыңыз.

→ Сур. **9**

- ✓ Текшелер қалыптан түсіп, мұз контейнеріне құлайды.
3. Контейнерді шығарып алып, ішіндегі мұз текшелерін шығарыңыз.

→ Сур. **10**

6.8 Керек-жарақтар

Түпнұсқалық жабдықтарды пайдаланыңыз. Олар осы құрылғыға бейімделген.

Құрылғының керек-жарақтары үлгіге байланысты.

Жұмыртқа қоятын сөре

Жұмыртқаларды қауіпсіз сақтау үшін, жұмыртқа салатын қойғышты пайдаланыңыз.

Бөтелке қойғыш

Бөтелке қойғыш есікті ашып-жапқанда бөтелкелердің аударылып кетуін болдырмайды.

→ Сур. **11**

Реттелетін бөтелке науасы

Бөтелкелерді реттелетін бөтелке науасында қауіпсіз сақтаңыз.

→ Сур. 12

Мұз текшелерін салатын ыдыс

Мұз текшелерін салатын ыдысты мұз текшелерін жасау үшін пайдаланыңыз.

Мұз текшелерін дайындау

Мұз текшелерін дайындау үшін, тек қана ауыз су пайдаланыңыз.

1. Мұз текшесі науасын $\frac{3}{4}$ бөлігін ауыз сумен толтырып, мұздатқышқа салыңыз.
Мұздатылған мұз науасын доғал затпен босатыңыз, мысалы, ағаш қасық сабы.
2. Мұз текшелерін шығару үшін, ыдысты ағын судың астында сәл ұстап тұрып, аздап майыстырыңыз.

7 Негізгі басқару

7.1 Құрылғыны қосыңыз

1. Құрылғыны электр желісіне жалғаңыз → Бет76
Жазба: Егер мұның алдында құрылғы басқару элементтерімен өшірілген болса, + басып 10 секунд бойы басып тұрыңыз.
✓ Құрылғы салқындай бастайды.
✓ Ескерту сигналы, температура индикаторы (мұздатқыш бөлім) жыпылықтайды, загорается **ALARM** жанады және күй индикаторы қызыл түспен жанады, өйткені мұздатқыш бөлімі әлі жылы.

2. Ескерту сигналын ^{freezer} ^{fridge} пайдаланып өшіріңіз.
✓ Орнатылған температураға жеткен сәтте **ALARM** өшеді.
3. Қажетті температураны орнатыңыз. → Бет80

7.2 Құрылғы жұмысына қатысты нұсқаулар

- Құрылғы қосулы болса, белгіленген температураға жету үшін бірнеше сағатқа дейін уақыт кетеді.
Белгіленген температураға жеткенше дейін тағамды салмаңыз.
- Егер сіз есікті жапсаңыз, сирек болуы мүмкін. Есікті қайта ашу қиын. Теріс қысым өтелгенше бір минут күтіңіз.
- Құрылғыдағы температура келесі жағдайларға байланысты өзгереді:
 - Құрылғының ашылу жиілігі
 - Жүктеу саны
 - Қоймада сақталған жаңа тағамның температурасы
 - Қоршаған орта температурасы
 - Тікелей күн сәулесі

7.3 Құрылғыны өшіру

- ▶ + басып, 10 секундтай ұстап тұрыңыз.

7.4 Температураны орнату

Тоңазытқыш бөлімдегі температураны орнату

1. ^{freezer} ^{fridge} көмегімен тоңазытқыш бөлімді таңдаңыз.
2. Температура дисплейінде (тоңазытқыш бөлім) қажетті температура параметрі көрсетілгенше түймесін қайталап +/– басыңыз.

Орнатылған температураға жету үшін сақтау резервуарындағы температура реттегішін төменнен $\frac{1}{3}$ позициясына сырғытыңыз.

→ Бет81

Тоңазытқыш бөлімдегі температураны $4\text{ }^{\circ}\text{C}$ -қа қоюға кеңес береміз.

Сақтау контейнердің температурасын орнату

1. Температураны төмендету үшін температура реттегішін **extra cold** бағытына жылжытыңыз.
2. Температураны көтеру үшін температура реттегішін **cold** бағытына жылжытыңыз.

→ Сур. **13**

Мұздатқыш бөлімдегі температураны орнату


1. freezer
fridge басып мұздатқыш бөлімді басыңыз.
2. Температура дисплейінде (мұздатқыш бөлім) қажетті температура параметрі көрсетілгенше түймесін қайталап **+/-** басыңыз.

Мұздатқыш бөлімде орнатуға ұсынылатын температура $-18\text{ }^{\circ}\text{C}$ -ты құрайды.


7.5 Пернелерді бұғаттау (балалар қауіпсіздігі үшін бұғаттау)

Пернелерді бұғаттау арқылы, құрылғыны жоспарсыз пайдалану немесе дұрыс пайдаланбаудың алдын алуға болады.

Пернелердің бұғатын

- ▶ **lock** басып, 3 секундтай ұстаңыз.
- ✓  ^{3s} жанып тұр.

Пернелер бұғатын

- ▶ **lock** басып, 3 секундтай ұстаңыз.
- ✓  ^{3s} жанып тұр.

8 Қосымша функциялар

Құрылғыңыздың қандай қосымша функцияларды қолдайтынын анықтап алыңыз.

8.1 Супер салқындату функциясы

Супер салқындату функциясы қосылғанда, тоңазытқыш бөлім қарқынды түрде салқындатылады. Тоңазытқышқа көп көлемдегі азық-түлік салмас бұрын, Супер салқындату функциясы басыңыз.

Жазба: Егер Супер салқындату функциясы қосулы болса, құрылғыны пайдалану барысында көптеген шулар шығуы мүмкін.

Супер салқындату функциясы қосу

- ▶ **super** батырмасын, **supercool** таңбасы жанғанша баса беріңіз.

Жазба: Шамамен 6 сағаттан кейін құрылғы қалыпты жұмыс режиміне ауысады.

Супер салқындату функциясы өшіру

- ▶ **super** басыңыз.
- ✓ Орнатылған температура дисплейде көрсетіледі.

8.2 Супер мұздату функциясы

Супер мұздату функциясыбарысында мұздатқыш бөлім максималды түрде қарқынды салқындатылады.

2 кг-нан аса өнім салатын болсаңыз, оған дейін Супер мұздату функциясы функциясын 4–6 сағатқа қосып қойыңыз.

Мұздату мүмкіндіктерін пайдалану үшін, Супер мұздату функциясықосыңыз.

→ "Мұздату өнімділігіне қатысты шарттар", Бет85

Жазба: Егер Супер мұздату функциясы қосулы болса, құрылғыны пайдалану барысында көптеген шулар шығуы мүмкін.

Супер мұздату функциясы қосу

- ▶ **super** батырмасын, **superfreeze** таңбасы жанғанша баса беріңіз.

Жазба: Шамамен 54 сағаттан кейін құрылғы қалыпты жұмыс режиміне ауысады.

Супер мұздату функциясы өшіру

- ▶ **super**батырмасын **superfreeze** таңбасы жанғанша баса беріңіз.

8.3 Демалыс режимі

Ұзақ уақыт үйде болмайтын болсаңыз, құрылғыға энергия үнемдейтін «Демалыс» режимін орнатып қоюыңызға болады.

⚠ БАЙҚА

Деңсаулыққа зиян келтіру қаупі! «Демалыс» режиміндегі жұмыс барысында тоңазытқыш бөлімдегі температура артады. Жоғары

температура бактериялардың көбейіп, азық-түліктердің бүлінуіне әкеп соғады.

- ▶ «Демалыс» режиміндегі жұмыс барысында тоңазытқыш бөлімнің іші бос болу керек.

Құрылғы температураны автоматты түрде өзгертеді.

Тоңазытқыш бөлім	14 °C
Мұздатқыш бөлім	Температура өзгермеді

Демалыс режимін қосу

- ▶ **mode** жаңғанша,  басыңыз.

Демалыс режимін өшіру

- ▶ Барлық режимдер бөлектелмегенше **mode** басыңыз.

8.4 Электр энергиясын үнемдеу режимі

Осы энергия үнемдеу режимінің арқасында, құрылғы жұмыс барысында энергия үнемдеу режиміне ауысады. Құрылғы температураны автоматты түрде өзгертеді.

Тоңазытқыш бөлім	8 °C
Мұздатқыш бөлім	-16 °C

Энергия үнемдеу режимін қосу

- ▶ **mode** жаңғанша,  басыңыз.

Энергия үнемдеу режимін өшіру

- ▶ Барлық режимдер бөлектелмегенше **mode** басыңыз.

8.5 Балғын күйде сақтау режимі

Өнімдерді барынша балғын күйінде сақтау үшін, құрылғыны балғын күйде сақтау режиміне қоюға болады.

Құрылғы температураны автоматты түрде өзгертеді.

Тоңазытқыш бөлім	2 °C
Мұздатқыш бөлім	Температура өзгермеді

Балғын күйде сақтау режимін орнату

► **mode** жаңғанша, **fresh** басыңыз.

Балғын күйде сақтау режимін өшіру

► Барлық режимдер бөлектелмегенше **mode** басыңыз.

9 Сигнал

9.1 Есік сигналы

Егер құрылғы есігі ұзақ уақыт ашық тұрса, есік сигналы қосылады. Ескертпе дыбысы беріледі, күй индикаторы қызыл түспен жанады және **ALARM** сәйкес бөлімнің жанында пайда болады.

Есік сигналын өшіру

- Құрылғының есігін жабыңыз немесе freezer fridge басыңыз.
- ✓ Ескерту сигналы өшірілді.

9.2 Қызып кету туралы дыбыстық белгі

Мұздатқыш бөлімнің іші тым жылып кеткенде шығатын, температураның артқаны туралы ескерту сигналы. Ескертпе дыбысы беріледі, температура индикаторы (мұздатқыш бөлімі) жыпылықтатып, **ALARM** пайда болады және күй индикаторы қызыл түспен жанады.

⚠ БАЙҚА Деңсаулыққа зиян келтіру қаупі!

Мұздатылған өнімдердің еруі барысында бактериялар пайда болып, олар өнімдерді бұзуы мүмкін.

- Ерітілген тағамдарды қайта мұздатуға болмайды.
- Өнімдерді тек пісіріп не қуырғаннан кейін қайта мұздатуға болады.
- Максималды сақтау мерзімін асырмаған жөн.

Температура көтерілу туралы алдын ала ескерту дыбысы келесі жағдайларда іске қосылуы мүмкін:

- Құрылғы іске қосылып жатыр. Белгіленген температураға жеткеннен кейін тағамды сақтауға жүктеу керек.
- Балғын азық-түліктер үлкен көлемде салынып жатыр. Тағамдардың үлкен мөлшерлерді жүктеу алдында Супер мұздату функциясы қосыңыз.
- Мұздатқыш бөлімінің есігі тым ұзақ уақыт ашық тұрған. Мұздатылған тағамның ерігеніне немесе жібітілгеніне көз жеткізіңіз.

Температура бойынша сақтандыру белгісін өшіріңіз

- freezer fridge батырмасын басыңыз.
- ✓ Ескерту сигналы өшірілді.

kk Тоңазытқыш бөлімі

- ✓ Температура индикаторы (мұздатқыш бөлім) мұздатқыш бөлімде орнатылған ең жоғары температураны қысқа уақыт көрсетіп тұрады. Содан соң температура индикаторы (мұздатқыш бөлім) орнатылған температураны көрсетеді.
- ✓ Осы сәттен бастап ең жылы температура деңгейі жаңадан белгіленіп, құрылғының жадында сақталады.

10 Тоңазытқыш бөлімі

Ет, шұжық, балық, сүт өнімдері, жұмыртқа, дайын тағамдар мен нан-тоқаш өнімдерін тоңазытқыш бөлімде сақтауыңызға болады. Температура 2 °C-тан 8 °C-қа дейінгі диапазонда реттеледі. Салқын салқындатқыш арқылы тез бұзылатын тағамдарды қысқа және орта мерзімді перспективада сақтауға болады. Таңдалған температура неғұрлым төмен болса, азық-түліктердің балғын күйі соғұрлым ұзақ сақталады.

10.1 Тоңазытқыш бөлімде азық-түліктер сақтау жөніндегі кеңестер

- Азық-түліктердің балғын күйінде және зақымдалмаған түрінде жүктеңіз.
- Тағамдарды мықтап жабыңыз немесе герметикалық ыдыста жауып қойып сақтаңыз.
- Ауа айналымына әсер етпеуін және тағамның қатып қалуын болдырмау үшін тағамды ішкі желдету саңылауларының алдына немесе артқы қабырғаға тікелей жанасатындай қылып орнатпаңыз.
- Алдымен ыстық тамақ пен сусындарды салқындатыңыз.

- Өндірушінің жарамдылық мерзіміне немесе сақтау мерзіміне назар аударыңыз.

10.2 Тоңазытқыш бөлімдегі температуралық зоналар

Тоңазытқыш бөлімдегі ауа айналымынан әртүрлі суық зоналар пайда болады.

Ең суық аймағы

Ең суық зона бүйірдегі бағыттауыш пен төменгі сөре арасында болады.

Кеңес: Ең салқын бөлімшесінде тез бұзылатын азық-түліктерді сақтаңыз, мысалы балық, шұжық және ет.

Ең жылы зона

Ең жылы зона есіктегі жоғарғы жағында орналасқан.

Кеңес: Ең жоғары температура зонасында ұзақ уақыт сақталатын өнімдерді, мәселен, қатты ірімшік пен май сақтаңыз. Осы жерде сақтау арқылы ірімшік өзінің дәмін мен жұпар иісін сақтап, ал май нанға жағу үшін қатпай, жұмсақ қалыпта сақталады.

11 Мұздатқыш бөлімі

Сіз мұздатқыш бөлімде мұздатылған өнімдерді сақтап, азық-түліктерді қатырып, мұз текшелерін дайындау аласыз.

Температура –16 °C-тан –24 °C-қа дейінгі диапазонда реттеледі.

Азық-түліктерді ұзақ уақыт сақтау үшін, –18 °C немесе одан төмен температураны қоюға кеңес береміз.

Азық-түліктерді қатырылған күйде сақтау арқылы тез бұзылатын өнімдерді ұзақ уақыт бойы сақтау мүмкіндігі туады. Төмен

температуралардың арқасында азық-түліктердің бұзылу процесін баяулатуға немесе тоқтатуға болады.

11.1 Мұздату өнімділігі

Мұздату өнімділігі азық-түліктерді қанша мөлшерде және қанша уақытта қатты мұздатуға болатындығын көрсетеді. Мұздату өнімділігі туралы деректер зауыттық тақтайшада көрсетілген. → *Сур. 1 / 3*

Мұздату өнімділігіне қатысты шарттар

1. Балғын өнімдерді салғанға дейін шамамен 24 сағат бұрын, Супер мұздату функциясы басыңыз.
→ *"Супер мұздату функциясы қосу", Бет82*
2. Алдымен өнімдерді мұздатқыш бөлімінің алдына салыңыз.
3. Егер мұздатқыш бөлімінің алдыңғы жерде жеткіліксіз болса, қалған тағамды мұздатқыш бөлімінің түбінің алдыңғы жағына қойыңыз.

11.2 Азық-түліктерді мұздатқыш бөлім ішіне тұтастай орналастыру

Мұздатқыш бөлімге мұздатылған өнімдердің максималды мөлшерін орналастыру жолын анықтаңыз.

1. Барлық жарық элементтерді мұздатқыш бөлімінен алыңыз.
→ *Бет88*
2. Өнімдерді мұздатқыш бөлімнің дәл түбіне орналастырыңыз.

11.3 Мұздатқыш бөлімде азық-түліктер сақтау жөніндегі кеңестер

- Тамақты қымтақты ыдыста сақтаңыз.
- Мұздатылатын азық-түліктердің бір-біріне тиіп кетпеуін қадағалаңыз.
- Азық-түліктерді мұздатқыш бөлімге жайып, таратып орналастырыңыз.

11.4 Балғын өнімдерді мұздатуға қатысты кеңестер

- Балғын өнімдерді тек мінсіз күйінде мұздатыңыз.
- Тамақты бөлігімен мұздатыңыз.
- Бұған шикі өнімдерден гөрі дайын тағамдар көбірек сай келеді.
- Көкөністерді мұздатпас бұрын шайып тастау керек, булау және кесіп тастау керек.
- Жемістерді мұздатпас бұрын, оларды жуып, дөңегін тазалап, қажет болса, қабығын тазалап, қажет болған жағдайда қант немесе аскорбин қышқылының ерітіндісін қосыңыз.
- Мұздатуға жарамды тағамдар бұл нан-тоқаш өнімдері, ет, жабайы, құс еті, қабығы жоқ жұмыртқа, ірімшік, май, сүзбе, дайын тағамдар мен тамақ қалдықтары.
- Мұздатуға жарамсыз тағамдар: салат, редис, жұмыртқа қабығымен, жүзім, тұтас алма мен алмұрт, йогурт, қаймақ, крем шырыны, майонез.

Мұздатылатын тағамдарды орау

Дұрыс орау материалы және дұрыс орау түрі көбінесе өнімнің сапасын сақтап, оны қатып қалуға жол бермейді.

1. Өнімдерді орамаға салыңыз.
2. Ішіндегі бар ауаны шығарыңыз.
3. Азық-түліктердің дәмі кетіп, кеуіп қалмас үшін, саңылау қалдырмай ораңыз.
4. Ораманың сыртына ішіндегі өнімді және мұздатылған күнді жазып қойыңыз.

11.5 -18 °C-тағы мұздатылған өнімдердің сақталу мерзімі

Азық-түлік	Сақтау мерзімі
Балық, шұжық өнімдері, дайын тағамдар, нан-тоқаш өнімдері	6 айға дейін
Құс, ет	8 айға дейін
Көкөністер, жемістер	12 айға дейін

Басып шығарылған мұздатқыш бөлім күнтізбесі тұрақты -18°C температурадағы айлық максималды сақтау ұзақтығын көрсетеді.

11.6 Мұздатылған өнімдерді еріту тәсілдері

⚠ БАЙҚА

Деңсаулыққа зиян келтіру қаупі!

Мұздатылған өнімдердің еруі барысында бактериялар пайда болып, олар өнімдерді бұзуы мүмкін.

- ▶ Ерітілген тағамдарды қайта мұздатуға болмайды.

- ▶ Өнімдерді тек пісіріп не қуырғаннан кейін қайта мұздатуға болады.
- ▶ Максималды сақтау мерзімін асырмаған жөн.
- Тоңазытқышта жануарлардан алынатын өнімдерді, мысалы, балық, ет, ірімшік және сүзбе.
- Нанды бөлме температурасында жібітіңіз.
- Тағамды микротолқынды пеште, пеште немесе плитада дереу тұтынуға дайындаңыз.

12 Су жіберу жүйесі

Сіздің құрылғы су жіберу компоненттермен жабдықталған.

12.1 Су диспенсері

Салқын суды су диспенсер пайдаланып қотарып құйіңіз.

Резервуарды сумен толтыру

⚠ БАЙҚА

Деңсаулыққа зиян келтіру қаупі!

Ауыз судан басқа, бөтен сұйықтықты құю кезінде берілген судың сапасына кепілдік берілмейді.

- ▶ Су контейнерді тек таза ауыз сумен толтыруға болады.

НАЗАР АУДАРЫҢЫЗ!

Ауыз судан басқа, бөтен сұйықтықты құю кезінде жеткізу жолдары бітеліп қалуы мүмкін.

- ▶ Су контейнерді тек таза ауыз сумен толтыруға болады.
- ▶ Су үшін резервуардың құйы құрылғын ашып ① және резервуарды ② белгісіне дейін таза сумен толтырыңыз.

→ Сур. **14**

Суды шығару

- ▶ Стаканды диспенсердің рычагына тақап қойыңыз.
 - Егер суды 48 сағат ішінде жүзеге асырылмаса, ол «көп тұрып қалған» дәмін алады. Су резервуарың тазалаңыз.
 - Егер 5 күн бойы су алынбалмаса, резервуарды тазалаңыз, оны таза ауыз сумен толтырып, сумен жабдықтау жүйесін тазалаңыз. Су жіберу жүйесін тазалау үшін 2 литр су керек болады.
- Сур. **15**

13 Еріту

13.1 Тоңазытқыш бөлімді еріту

Тоңазытқыш бөлім автоматты түрде жібиді.

13.2 Мұздатқыш бөлімде еріту

Толықтай автоматты «NoFrost» жүйесінің арқасында мұздатқыш бөлімнің ішінде мұз түзілмейді. Ерітуді қажет етпейді.

14 Тазалау және күту

Құрылғыңыздың ұзақ уақыт бойы жұмыс жасауын болдыру үшін, оны мұқият тазалап күтіңіз. Қолжетімсіз жерлерді қызмет көрсету орталығының мамандары тазалауы тиіс. Қызмет көрсету орталығының тарапынан тазалау жұмысы үшін ақы алынуы мүмкін.

14.1 Құрылғыны тазалауға дайындау

1. Құрылғыны өшіріңіз. → *Бет80*
2. Құрылғыны тоқ желісінен ажыратыңыз.

Желі сымын қоректендіру сымынан ажыратыңыз немесе сақтандырғыштар блогындағы сақтандырғышты өшіріңіз.
3. Тағамдарды шығарып, оларды салқын жерге салып қойыңыз.

Егер сізде салқындатқыш аккумуляторлар болса, оларды мұздатылған өнімдердің үстіне қойып қойыңыз.
4. Құрылғыдан барлық жабдық бөлшектерін және керек-жарақтарын шығарып алыңыз. → *Бет88*
5. Көкөністер мен жемістер салатын контейнердің жоғары жақтағы сөрені алыңыз.. → *Бет89*

14.2 Құрылғыны тазалау

⚠ ЕСКЕРТУ

Электрик тоқ соғу қатері бар!

Ішіне кірген ылғалдық тоқ соғуына алып келуі мүмкін.

- ▶ Құрылғыны тазалау үшін булап тазартқыш немесе жоғары басымдылықты булап тазартқышты пайдаланбаңыз. Жарықтандыру жүйесіне, басқару элементтеріне немесе ішкі желдету тесіктеріне түсетін сұйықтық қауіпті болуы мүмкін.
- ▶ Судың жарықтандыру жүйесіне, басқару элементтеріне немесе ішкі желдету саңылауларына кіруіне жол бермеңіз.

НАЗАР АУДАРЫҢЫЗ!

Сай емес тазалау заттары құрылғының беттерін зақымдауы мүмкін.

- ▶ Ешқандай қатты губка немесе тазалау губкаларын пайдаланбаңыз.
- ▶ Щетка немесе өткір қырғыш пайдаланбаңыз.
- ▶ Қатты алкогольдік тазалау құралын пайдаланбаңыз.

Жабдықтау элементтері мен құрал-саймандарды ыдыс жуғыш машинада жуғанда, олардың пішіні мен түсі өзгеруі мүмкін.

- ▶ Құрылғы бөліктері мен керек-жарақтарын ыдыс жуғышта жумаңыз.

1. Құрылғыны тазалауға дайындаңыз. → *Бет87*
2. Құрылғыны, жабдықтау элементтерін, құрылғының бөлшектері мен есік тығыздауыштарын шүберек пен аздаған рН-бейтарап ыдыс жуғыш құрал қосылған жылы сумен тазалап, жуыңыз.
3. Жұмсақ әрі құрғақ шүберекпен әбден құрғатып сүртіңіз.
4. Жабдықтау элементтері мен құрылғы бөлшектерін орнатыңыз.
5. Құрылғыны электр желісіне жалғаңыз → *Бет76*
6. Азық-түліктерді салыңыз.

14.3 Жабдықтау элементтерін шығарып алыңыз.

Егер жабдықтау элементтерін жақсылап тазалап алғыңыз келсе, оларды құрылғының ішінен шығарып алыңыз.

Сөрелерді шешу

- ▶ Сөрени сырғытып шығарыңыз, көтеріңіз және алыңыз.

→ *Сур. 16*

Ұстағышы бар, тіскебасар салатын контейнерді шығару

1. Тағам үшін контейнерді шығарыңыз.
2. Ұстағышпен сөрени шығарыңыз.
3. Ұстағышты сөре жаққа жылжытыңыз.

→ *Сур. 17*

Есік сөрелерін шешу

- ▶ Сәл көтеріп және есік сөрелерін шығарып алыңыз.

→ *Сур. 18*

Сақтау контейнерді шығару

1. Сақтау контейнерді тірелгенше жылжытып алыңыз.
2. Сақтау контейнерді сәл көтеріп ^① және шығарып алыңыз ^②.

→ *Сур. 19*

Жемістер мен көкөністер салатын контейнерді шешу

1. Көкөністер мен жемістерге арналған контейнерді тоқтағанша шығарыңыз.
2. Көкөністер мен жемістер контейнерді алдыңғы жағынан сәл көтеріп ^① оны алыңыз ^②.

→ *Сур. 20*

Мұз генераторын шығару

1. Мұз текшелер үшін ыдысты ① және мұз контейнерді ② шығарып және босатыңыз.
→ Сур. **21**
2. «Push» түймесін басып ①, мұз генераторын оны алып тастау үшін ұстағыштан шығарыңыз ②.
→ Сур. **22**
3. Ұстағышты артқы жағынан көтеріп, оны мұздатқыш бөлімшесінің сөресінің артына түсіріңіз ①. Өзіне қарай тартып ұстағышты шешіп алыңыз ②.
→ Сур. **23**

Су резервуарын шығарып алу

1. Су резервуарын аздап жоғары көтеріп, шешіп алыңыз.
2. Су резервуарының қақпағын ашып, суды төгіп тастаңыз.
3. **НАЗАР АУДАРЫҢЫЗ!** Ұшты заттар тығыздағышты зақымдауы мүмкін.
▶ Тығыздағышты алып тастау үшін ұшты заттарды ешқашан қолданбаңыз.
Қақпағынан тығыздағышты өшіріп алыңыз.
→ Сур. **24**

14.4 Құрылғының бөлшектерін шешу

Құрылғыны мұқият тазалау үшін, оның кей бөлшектерін шешіп, шығарып алуыңызға болады.

Көкөністер мен жемістер салатын контейнердің үстіндегі сөре

Мұқият тазалау үшін көкөністер мен жемістер салатын контейнердің қақпасын ашыңыз.

Көкөністер мен жемістер салатын контейнердің үстіндегі сөрені шешіңіз

1. Көкөністер мен жемістер салатын контейнердің үстіндегі сөрені шешіп алыңыз. → Бет88
2. Сақтау контейнерді шығарыңыз.
→ Бет88
3. Көкөністер мен жемістер контейнерінің қақпаларын сәл көтеріп ① және оларды шешіп алыңыз ②.
→ Сур. **25**
4. Жемістер мен көкөністер контейнерінің үстіндегі сөрені бүйіріне қарай еңкейтіп ①, алыңыз ②.
→ Сур. **26**

Көкөністер мен жемістер салатын контейнердің сөрені орнату

1. Көкөністер мен жемістер салатын контейнердің үстіндегі сөрені жаққа еңкейтіп ① және оны жіберіңіз ②.
→ Сур. **27**
2. Ылғалдылықты реттегішті алдыңғы жайына ауыстырыңыз.
→ Сур. **28**
3. Көкөністер мен жемістер контейнерінің қақпаларын орнатыңыз.
→ Сур. **29**
Көкөністер мен жемістер контейнерінің қақпақтары ылғал реттегіштің астындағы саңылауға сәйкес келетініне көз жеткізіңіз.
4. Сақтау және көкөністер мен жемістер контейнерін орнатыңыз.
→ Сур. **30**

15 Ақауларды жою

Құрылғыдағы елеусіз ақаулықтарды өз бетіңізбен жоюға болады. Қызмет көрсету орталығына хабарласпас бұрын ақаулықты жою бойынша ақпаратты қарап шығыңыз. Осылайша қажетсіз шығындардың алдын аласыз.

ЕСКЕРТУ

Электрик тоқ соғу қатері бар!

Тиісті болмаған жөндеулер қауіпті болып табылады.

- ▶ Құрылғыдағы жөндеу жұмыстарын тек білікті мамандар орындай алады.
- ▶ Құрылғыны жөндеу үшін тек түпнұсқа бөлшектері ғана пайдаланылуы мүмкін.
- ▶ Осы бұйымның желі кабелі бұзылып зақымданған күйде болса, қауіптердің пайда болуын болдырмау үшін, оның шығарушы немесе техникалық қызмет көрсету орталығының маманы арқылы, немесе осыларға ұқсас арнайы білімі бар адам тарабынан ауыстырылуы қажет.

Ақаулық	Ақаулардың себебі және оларды жою
Құрылғы салқындатпай тұр, индикаторлар мен жарықтандыру жанып тұр.	Презентация режимі қосылды. 1. ^{freezer} ^{fridge} 15 секунд аз емес басып ұстаңыз. 2. Қысқа уақыт өткеннен кейін құрылғыңыздың салқындағанын тексеріңіз.
Жарықдиодты шам жұмыс істемей тұр.	Себептері түрлі болуы мүмкін. ▶ Қызмет көрсету орталығына хабарласыңыз. Нөмірді қызмет көрсету тізімінде табуға болады.
Құрылғының бүйірлік панелдері жылы.	Ақау емес. Жан қабырғаларда суыту кезінде қызатын құбырлар тұр. Құрылғыға тиіп тұрған жиһаздар жылу арқылы зақымдалмайды. Өрекет жасау керегі жоқ.
Температура индикаторында E немесе d пайда болады.	Электроника ақауды анықтады. 1. Құрылғыны өшіріңіз. → <i>Бет80</i> 2. Құрылғыны тоқ желісінен ажыратыңыз. Құрылғыны электр желісінен ажыратыңыз немесе сақтандырғыштар блогындағы тиісті сақтандырғышты өшіріңіз. 3. Құралды 5 минуттан кейін жаңадан қосыңыз. 4. Құрылғыны қосыңыз. → <i>Бет80</i> 5. Егер дисплейде хабар қайта пайда болса, қызмет көрсету орталығына қоңырау соғыңыз. Нөмірді қызмет көрсету тізімінде табуға болады.

Ақаулық	Ақаулардың себебі және оларды жою
<p>Ескертпе дыбысы беріледі температура индикаторы (мұздатқыш бөлімі) жыпылықтайды, ALARM пайда болады және күй индикаторы қызыл болып жанады.</p>	<p>Себептері түрлі болуы мүмкін.</p> <ul style="list-style-type: none"> ▶ ^{freezer}_{fridge} басыңыз. ✓ Температура индикаторы (мұздатқыш бөлім) мұздатқыш бөлімде орнатылған ең жоғары температураны қысқа уақыт көрсетіп тұрады. Содан соң температура индикаторы (мұздатқыш бөлім) орнатылған температураны көрсетеді. ✓ Ескерту сигналы өшірілуде. ✓ Температура орнатылған мәнге жетпейінше, ALARM жанып тұрады.
	<p>Құрылғы есігі ашық.</p> <ul style="list-style-type: none"> ▶ Есікті жабыңыз. <p>Балғын азық-түліктер үлкен көлемде салынып жатыр.</p> <ul style="list-style-type: none"> ▶ Мұздату өнімділігін асырмаңыз → "Мұздату өнімділігі", <i>Бет85</i>
<p>Орнатылған температураға қол жеткізілмеген.</p> <p>Толығымен автоматты түрде жібіту жұмыс істемейді.</p>	<p>Мұздатқыш камераның есігі ұзақ уақыт ашық тұрды. NoFrost жүйесіндегі буландырғыш (суық генератор) өте мұзды.</p> <p>Талап: Мұздатылған тағамдарды жақсылап орап, салқын жерде сақтау керек.</p> <ol style="list-style-type: none"> 1. Құрылғыны өшіріңіз. → <i>Бет80</i> 2. Құрылғыны тоқ желісінен ажыратыңыз. Құрылғыны электр желісінен ажыратыңыз немесе сақтандырғыштар блогындағы тиісті сақтандырғышты өшіріңіз. 3. Құрылғыны қабырғадан бері жылжытыңыз. 4. Құрылғының есігін ашық қалдырыңыз. ✓ Шамамен 20 минуттан кейін еріген су құрылғының артындағы қоқыс төгетін тесікке түсе бастайды. → <i>Сур. 31</i> 5. Науаның толып кетуіне жол бермеу үшін еріген суды шүберекпен сүртіңіз. Науаға су төгілмесе, буландырғыш еріп кетті дегенді білдіреді. 6. Құрылғының ішкі бөлімін тазалаңыз. → <i>Бет87</i> 7. Құралды қайта қосыңыз. → <i>Бет80</i>

Ақаулық	Ақаулардың себебі және оларды жою
Температура таңдалған температурадан ерекшеленеді.	<p>Себептері түрлі болуы мүмкін.</p> <ol style="list-style-type: none"> 1. Құрылғыны өшіріңіз. → <i>Бет80</i> 2. Құрылғыны шамамен 5 минуттан соң қайта қосыңыз. → <i>Бет80</i> <ul style="list-style-type: none"> – Егер температура тым жоғары болса, оны екі сағаттан соң қайта тексеріңіз. – Егер температура тым төмен болса, оны келесі күні қайта тексеріңіз.
Құрылғы бетінде және құрылғы сөрелерінде конденсат пайда болады.	<p>Жылы немесе ылғал ауадағы су, құрылғының суық беттерінде конденсацияланады.</p> <ol style="list-style-type: none"> 1. Суды жұмсақ, құрғақ шүберекпен сүртіңіз. 2. Құрылғының есіктерін мүмкіндігінше тез жауып тастаңыз. 3. Құрылғы әрдайым жабылып тұрғанына назар аударыңыз.
Құрылғы гуіл, гүрілдеген дыбыстарды шығарады, сылдырлайды, сыртылдайды немесе шырылдайды.	<p>Ақау жоқ. Қозғалтқыш, мәселен, тоңазытқыш агрегаттың немесе желдеткіштің қозғалтқышы жұмыс істеп тұр. Хладагент құбырлар арқылы ағып жатыр. Қозғалтқыш, қосқыш немесе электрмагниттік клапандар қосылып немесе өшіріліп жатыр. Автоматты еріту жүреді. NoFrost жүйесі ерітіліп жатыр, су тамшылары бұға айналууда. Әрекет жасау керегі жоқ.</p>
Құрылғы әртүрлі шулар шығарып тұр.	<p>Құрылғы бірқалыпты орнатылмаған.</p> <ul style="list-style-type: none"> ▶ Құрылғыны тегіс немесе бұрандалы аяқтармен туралаңыз. <hr/> <p>Құрылғы тұрақты емес.</p> <ul style="list-style-type: none"> ▶ Құрылғыдан минималды арақашықтықты сақтау. <hr/> <p>Жабдықтау элементтері дұрыс орнатылмаған.</p> <ul style="list-style-type: none"> ▶ Шығарып алатын жабдықтау элементтердің тексеріп және оларды қайтадан орнатыңыз. <hr/> <p>Бөтелкелер немесе ыдыстар бір-біріне тиіп тұр.</p> <ul style="list-style-type: none"> ▶ Бөтелкелер немесе өзге де ыдыстарды бір-бірінен алшақтатып, арасын ашып қойыңыз. <hr/> <p>Супер мұздату функциясы қосулы.</p> <p>Әрекет жасау керегі жоқ.</p>

15.1 Электр қуаты жоқ

Электр қуаты ажыратылған кезде құрылғыдағы температура көтеріледі, бұл сақтау уақытын қысқартады және мұздатылған тағамның сапасын төмендетеді. Біздің веб-сайтымызда сіздің құрылғыңызға арналған техникалық деректер жұмыс істемей қалған жағдайда мұздатылған тағамның сақталу уақытын көрсетеді.

Жазбалар

- Электр қуаты ажыратылған кезде құрылғыны мүмкіндігінше аз ашып, басқа тағамдарды салмаңыз.
- Тағамдардың сапасын электр қуаты ажыратылғаннан кейін тез арада тексеріңіз.
 - 5 °C -тан жоғары температурада болып ерітілген мұздатылған тағамды шығарып алыңыз.
 - Аздап еріген тағамдарды пісіріңіз немесе қуырыңыз немесе қайтадан тоңазытыңыз.

15.2 Құрылғының өз-өзіне диагностика жасауы

Құрылғыңыз қызмет көрсету қызметі жөндей алатын ақауларды көрсететін өзін-өзі диагностикалау функциясымен жабдықталған.

1. Құрылғыны өшіріңіз. → *Бет80*
2. Құрылғыны тоқ желісінен ажыратыңыз.

Желі сымын қоректендіру сымынан ажыратыңыз немесе сақтандырғыштар блогындағы сақтандырғышты өшіріңіз.
3. 5 минут кейін құрылғыны электржүйесіне қайтадан қосыңыз. → *Бет76*
4. Құрылғыны қосыңыз. → *Бет80*

5. Қосқаннан кейін 2 минут ішінде дыбыстық сигнал шыққанша 3 секунд ^{fridge} түймесін басып тұрыңыз.
 - ✓ Құрылғының өз-өзіне диагностика жасауы басталды.
 - ✓ Егер құрылғы өз-өзіне диагностика жасап болған соң 2 дыбыстық белгі естіліп, температура дисплейінде қойылған мән шығып тұрса, демек құрылғы ақаусыз жұмыс істеп тұр. Құрылғы қалыпты режимге ауысады.
 - ✓ Өзін-өзі диагностикалаудың соңында 5 дыбыстық сигнал естісеңіз, қызмет көрсету орталығына хабарласыңыз.

16 Сақтау және кәдеге жарату

16.1 Құрылғыны пайдалануды тоқтату

1. Құрылғыны өшіріңіз. → *Бет80*
2. Құрылғыны тоқ желісінен ажыратыңыз.

Желі сымын қоректендіру сымынан ажыратыңыз немесе сақтандырғыштар блогындағы сақтандырғышты өшіріңіз.
3. Тағамдарды шығарыңыз.
4. Су резервуарын босатыңыз.
5. Құрылғыны тазалау барысында. → *Бет87*
6. **НАЗАР АУДАРЫҢЫЗ!** Есік пен шкафтың арасына түскен заттар есіктің топсасын зақымдауы мүмкін.
 - ▶ Есікті ашық күйде ұстау үшін ашыңыз.
 - ▶ Есік пен шкафтың арасындағы заттарды қыспаңыз.

Интерьердің желдетілуін қамтамасыз ету үшін құрылғыны ашық күйінде қалдырыңыз.

16.2 Ескі құрылғыны кәдеге жарату

Қоршаған орта үшін қауіпсіз жолмен кәдеге жарату құнды материалдарды қайта өңдеуге мүмкіндік береді.

⚠ ЕСКЕРТУ **Деңсаулыққа зиян келтіру қауіпі!**

Осының арқасында сіз балалар құрылғының ішінде қалып қойған жағдайда өмірлерін сақтап қаласыңыз.

- ▶ Сөре және бөлім бөлшектерін құрылғыдан шығармаңыз, сонда балалар тоңазытқыштың ішіне шыға алмайды.
- ▶ Балалар тозған құрылғыға жақындаспасын.

⚠ ЕСКЕРТУ **Өрт шығу қатері!**

Түтіктер зақымдалған болса, тұтанғыш хладагент пен зиянды газдар шығып тұтануы мүмкін.

- ▶ Хландагент жүйесінің құбырлары мен оқшаулағышқа зақым келтірмеңіз.

1. Желіге қосу кабелінің ашасын тартыңыз.
2. Еліге қосу сымын ажыратыңыз.
3. Құрылғыны қоршаған ортаны сақтайтын жолмен кәдеге жаратыңыз.

Ағымдағы кәдеге жарату жолдары туралы мәліметтерді мамандандырылған дүкеннен және қоғамдық немесе қалалық өкімшіліктен біліп алыңыз.



Бұл тоңазытқыш Электр және электроникалық құралдардың қалдықтарына (WEEE) қатысты 2012/19/EU (EO) Еуропа заңнамасына сәйкес келетін таңбасымен белгіленген. Бұл заңнама Еуропада құралдардың қалдықтарын қайтып алуын және қоршаған ортаны қорғап кәдеге жаратуын реттейді.

17 Сервистік қызмет көрсету

Сіздің еліңіздегі кепілдік мерзімі мен шарттары жөніндегі толық ақпаратты қызмет көрсету орталығынан, сауда бөлімінен немесе біздің веб-сайттан алуыңызға болады.

Қызмет көрсету орталығына хабарласқан кезде, сізге құрылғыңыздың артикул нөмірі (E нөмірі) және өндіру нөмірі (ӨК) қажет болады.

Мүшелер қызметінің хабарласу деректерін жинақтағы мүшелер қызметінің тізімінде немесе біздің веб-торабымызда табасыз.

Импорртаушы/ Сапа шағымдарын қабылдайтын ұйым: Қазақстан Республикасы, Алматы қ., Қажы Мұқан көш, 22/5, 7 қабат
e-mail: ala-infokz@bshg.com

Құрылғының қызмет ету мерзімі – 7 жыл.

Ақаулық анықталған жағдайда, Қазақстан Республикасы аумағында 5454 сервистік байланыс орталығына қоңырау шалыңыз (тек ұялы телефондар үшін).

Түркияда жасалған

17.1 Артикул нөмірі (Е нөмірі) және өндіру нөмірі (ӨК)

Артикул нөмірі (Е нөмірі) және өндіру нөмірі (ӨК) құрылғының фирмалық тақтайшасында берілген.

→ Сур. **1**/**3**

Құрылғы деректерін және мүшелер қызметінің нөмірін жылдам қайта табу үшін деректерді жазып алуға болады.

18 Техникалық деректер

Хладагент, пайдалы ыдыстар мен басқа да техникалық деректер, зауыттық тақтайшада жазылған.

→ Сур. **1**/**3**

Qo'shimcha ma'lumot uchun raqamli foydalanuvchi qo'llanmasiga murojaat qiling.



Mundarija

1 Xavfsizlik	98		
1.1 Umumiy ko'rsatmalar.....	98	6.5 Namlikni tartibga soluvchi sabzavot va mevalar uchun quti.....	108
1.2 To'g'ri foydalanish	98	6.6 Eshik tokchasi	108
1.3 Foydalanuvchilar doirasini cheklash	98	6.7 Muz ishlab chiqaruvchi.....	108
1.4 Xavfsiz transport.....	98	6.8 Qo'shimcha jihozlar	109
1.5 Xavfsiz o'rnatish.....	99		
1.6 Xavfsiz foydalanish	100	7 Ishlatish haqidagi asosiy ma'lumot	109
1.7 Buzilgan qurilma.....	102	7.1 Qurilmani ishga qo`shing	109
		7.2 Foydalanish bo'yicha ko'rsatmalar	109
2 Buyumlarga zarar yetishining oldini olish	104	7.3 Qurilmani o'chirish	110
		7.4 Haroratni sozlash	110
3 Atrof-muhitni himoya qilish va iqtisod qilish	104	7.5 Tugmalarni qulflash (bolalarga qarshi himoya)	110
3.1 Paketlarni qayta ishlash	104		
3.2 Energiyani tejash	104	8 Qo'shimcha funktsiyalar.....	110
		8.1 Supersovutish	110
4 O'rnatish va quvvat manbaiga ulash	105	8.2 Intensiv muzlatish	111
4.1 Yetkazib berilish to'plami	105	8.3 Ta'til rejimi	111
4.2 O'rnatish joyini tanlash mezonlari	105	8.4 Elektr quvvatini tejash rejimi..	111
4.3 Qurilmani o'rnatish	106	8.5 Tozalik rejimi.....	112
4.4 Подготовка прибора к началу эксплуатации	106		
4.5 Qurilmani elektr ravishda ulash	106	9 Signalizatsiya	112
		9.1 Eshik signali	112
5 Qurilma bilan tanishish.....	106	9.2 Harorat signali	112
5.1 Qurilma.....	106		
5.2 Boshqaruv paneli	107	10 Sovutish kamerasi	113
		10.1 Sovutgich kamerasida ovqatni saqlash bo'yicha tavsiyalar.....	113
6 Ta'minot.....	107	10.2 Sovutgich kamerasidagi harorat zonalari	113
6.1 Tokcha.....	107		
6.2 O'zgaruvchan tokcha.....	107	11 Muzlatgich	113
6.3 Gazak uchun konteyner	108	11.1 Muzlatish quvvati	114
6.4 Saqlash idishi	108		

11.2 Muzlatish kamerasi bo'ylab oziq-ovqat mahsulotlarini qo'yish	114
11.3 Muzlatish kamerasida ovqatni saqlash bo'yicha maslahatlar	114
11.4 Yangi ovqatni muzlatish bo'yicha maslahatlar.....	114
11.5 -18 ° C da muzlatilgan ovqatning yaroqlilik muddati.....	115
11.6 Muzlatilgan oziq-ovqatlarni muzdan tushirish usullari.....	115

12 Suv ta'minoti tizimi..... 115

12.1 Suv dispenserini.....	115
----------------------------	-----

13 Eritish..... 116

13.1 Sovutgich kamerasini muzdan tushirish	116
13.2 Muzlatish kamerasida muzdan tushirish	116

14 Tozalash va parvarish qilish . 116

14.1 Qurilmani tozalashga tayyorlash	116
14.2 Qurilmani tozalash.....	116
14.3 Uskunalar buyumlarini olib tashlash	117
14.4 Asbob qismlarini olib tashlash	117

15 Nosozliklarni bartaraf qilish .. 119

15.1 Quvvat uzilishi.....	122
15.2 Asboblarni o'z-o'zini diagnostika qilish.....	122

16 Saqlash va yo'q qilish..... 122

16.1 Qurilmani ishdan chiqarish ..	122
16.2 Eski qurilmalarni qayta ishlanadigan chiqitga chiqarish.....	123

17 Mijozlarga xizmat ko'rsatish.. 123

17.1 Mahsulotning tartib raqami (E-Nr.) va ishlab chiqarish raqami (FD)	123
---	-----

18 Texnik ma'lumotlar 124



1 Xavfsizlik

Quyidagi texnik xavfsizlik ko'rsatmalariga rioya qiling.

1.1 Umumiy ko'rsatmalar

- Ushbu ko'rsatmani yaxshilab o'qib oling.
- Qo'llanmani va mahsulot ma'lumotlarini kelajakda foydalanish yoki keyingi egasiga topshirish uchun saqlang.
- Tashish bilan bog'liq shikastlarni ko'rib qolsangiz, qurilmani ulamang.

1.2 To'g'ri foydalanish

Qurilmani faqat quyidagicha ishlating:

- mahsulotlarni sovutish va muzlatish, shuningdek, muz kublarini tayyorlash va dispenserdan suv to'plash uchun.
- xususiy hududlarda uy va yopiq xonalarda.
- dengiz sathidan 2000 m baland bo'lmagan.

1.3 Foydalanuvchilar doirasini cheklash

8 yoshgacha bo'lgan bolalar, jismoniy, aqliy va ruxiy qobiliyati cheklangan shaxslar, shuningdek, qurilmani ishlatishda etarlicha bilim va tajribaga ega bo'lmagan shaxslar uni faqat ularning xavfsizligi uchun mas'ul bo'lgan shaxslarning nazorati ostida yoki qurilmaning ishlashi bilan bog'liq barcha xavf-xatarlar to'g'risida batafsil ko'rsatma va tushuntirishlardan so'ng, qurilmadan foydalanishlari mumkin.

Bolalarning mashina bilan o'ynashiga yo'l qo'ymang.

Qurilmani bolalar tomonidan tozalash va parvarish qilish taqiqlangan.

1.4 Xavfsiz transport

OGOHLANTIRISH – Jarohat olish xavfi!

Qurilmaning og'irligi tufayli uni ko'targanda shikastlanish mumkin.

- ▶ Qurilmani o'zingiz mustaqil ko'tarmang.

1.5 Xavfsiz o'rnatish

⚠ OGOHLANTIRISH – Tok urish xavfi!

Malakasiz o'rnatish sababli, qurilma xavf manbaiga aylanish mumkin.

- ▶ Qurilmani ulash va ishlatishda firma plitasidagi ma'lumotlarga rioya qiling.
- ▶ Qurilmani o'zgaruvchan tok elektr tarmog'iga faqatgina qoidalarga muvofiq o'rnatilgan erga ulangan elektr rozetkasi orqali ulash mumkin.
- ▶ uydagi kabeldagi erga ulash tizimi qoidalarga muvofiq o'rnatilgan bo'lishi kerak.
- ▶ Qurilmani tashqi kalit bilan jihozlash taqiqlanadi, masalan, taymer yoki masofadan boshqarish.
- ▶ Qurilma o'rnatilganda tarmoq kabelining vilkasidan erkin foydalanish imkonini ta'minlash kerak, agar erkin foydalanish imkoni bo'lmasa, o'rnatish shartlariga ko'ra, maxsus ajratuvchi qurilma o'rnatilgan bo'lishi shart.
- ▶ O'rnatish paytida elektr shnuri qisilib qolmaganiga va shikastlanmaganiga amin bo'ling.

Tarmoq kabelining shikastlangan izolatsiyasi xavf manbai hisoblanadi.

- ▶ Elektr kabelining issiqlik manbalariga yaqin joylashishiga hech qachon yo'l qo'ymang.

⚠ OGOHLANTIRISH – Portlash xavfi bor!

Agar jihozning shamollatish teshiklari yopilgan bo'lsa, sovutgich oqadigan bo'lsa, yonuvchan havo / gaz aralashmasi paydo bo'lishi mumkin.

- ▶ Asbob korpusidagi yoki o'rnatilgan korpusdagi shamollatish teshiklariga to'sqinlik qilmang.

⚠ OGOHLANTIRISH – Yong'in xavfi!

Uzaytirilgan quvvat simi va sertifikatlanmagan perexodniklardan foydalanish xavfli.

- ▶ Ko'p tomonli rozetkalar va uzatma kabelidan foydalanmang.
- ▶ Faqat ishlab chiqaruvchidan sotib olingan perexodniklar va quvvat simlaridan foydalaning.

- ▶ Agar quvvat simi kalta bo'lsa va boshqa uzunroq quvvat simi bo'lmasa, uyga to'g'ri o'rnatish uchun elektr qurilmalari mutaxassisi bilan bog'laning.

Ko'chma bir nechta vilkalar yoki ko'chma quvvat punktlari qizib ketishi va yong'inga olib kelishi mumkin.

- ▶ Asbobning orqa tomoniga ko'p vilkali rozetkalarni yoki ko'chma quvvat bloklarini qo'ymang.

1.6 Xavfsiz foydalanish

⚠ OGOHLANTIRISH – Tok urish xavfi!

Kirgan namlik tok urishiga olib kelishi mumkin.

- ▶ Qurilmani faqat yopiq xonalarda ishlatning.
- ▶ Qurilmani hech qachon katta issiqlik va namlikka olib kelmang.
- ▶ Qurilmani tozalash uchun yuqori bosimli tozalash vositalarini yoki bug ' tozalash vositalarini ishlatmang.

⚠ OGOHLANTIRISH – Nafas qisish xavfi!

O'yin davomida bolalar qadoqlash materiali, plyonka va qadoq parchalariga o'ranib olishlari, yoki ularni boshlariga o'rab bo'g'ilishi mumkin.

- ▶ Qadoqlash materiallarini bolalardan uzoqroq tuting.
- ▶ Bolalarga qadoqlash materiallari bilan o'ynashlariga ruxsat bermang.

Bolalar mayda qismlarni yutib yuborishi va nafas olib bo'g'ilishlari mumkin.

- ▶ Mayda detallarni bolalardan uzoqroq tuting.
- ▶ Bolalarga mayda detallar bilan o'ynashlariga ruxsat bermang.

⚠ OGOHLANTIRISH – Portlash xavfi bor!

Agar sovutish moslamasi shikastlangan bo'lsa, yonuvchan sovutgich chiqib ketishi va portlashi mumkin.

- ▶ Muzdan tushirishni tezlashtirish uchun mexanik uskunalar yoki ishlab chiqaruvchi tomonidan tavsiya etilgan vositalardan boshqa foydalanmang.
- ▶ Muzlatilgan ovqatni ajratish uchun yog'och qoshiq tutqich kabi to'mtoq narsadan foydalaning.

Yonuvchan yonilg'i quyish vositalari va aerosol qutilari kabi portlovchi moddalar portlashi mumkin.

- ▶ Qurilmaning ichida yonuvchan yoqilg'i va portlovchi moddalar bo'lgan oziq-ovqat mahsulotlarini saqlamang.

⚠ OGOHLANTIRISH – Yong'in xavfi!

Qurilmaning ichida elektr jihozlarini ishlatish (masalan, isitgichlar yoki elektr muzqaymoq ishlab chiqaruvchilari) yong'inga olib kelishi mumkin.

- ▶ Qurilmaning ichida elektr jihozlarini ishlatmang.

⚠ OGOHLANTIRISH – Jarohat olish xavfi!

Gazlangan ichimlikli shishalar yorilishi mumkin.

- ▶ Gazlangan ichimlikli idishlarni muzlatkich ichiga solmang.

Повреждение глаз в следствие утечки горючего хладагента и вредных газов.

- ▶ Sovutish va izolyatsiya quvurlariga zarar yetkazmang.

Qurilma ag'darilishi mumkin.

- ▶ Rozetka, tortma yoki eshiklar ustiga bosmang yoki ular ustida turmang.

⚠ OGOHLANTIRISH – Kuyish xavfi!

Ish paytida jihozning orqa qismlari qizib ketadi.

- ▶ Hech qachon issiq qismlarga tegmang.

⚠ OGOHLANTIRISH – Sovuq kuyish xavfi!

Muzlatilgan oziq-ovqat va sovuq yuzalar bilan aloqa sovuq kuyishga olib kelishi mumkin.

- ▶ Hech qachon muzlatilgan ovqatni muzlatgich kamerasidan olib tashlangandan so'ng darhol unga tegmang.
- ▶ Muzlatilgan oziq-ovqat, muz va muzlatish yuzalari bilan terining uzoq vaqt aloqa qilishidan saqlaning.

⚠ EHTIYOTKORLIK – Sog'likka zarar yetish xavfi!

Oziq-ovqat mahsulotlarini ifloslanishiga yo'l qo'ymaslik uchun quyidagi ko'rsatmalarga amal qiling.

- ▶ Agar eshik uzoq vaqt ochiq bo'lsa, qurilma bo'linmalaridagi harorat sezilarli darajada ko'tarilishi mumkin.

- ▶ Drenaj tizimlarining oziq-ovqat mahsulotlari va chiqadigan qismlari bilan aloqa qilishi mumkin bo'lgan yuzalarni vaqti-vaqti bilan tozalang.
 - ▶ Производите очистку резервуара с водой, если он не использовался последние 48 часов. Промывайте систему подачи воды, если вода не использовалась в течение 5 дней.
 - ▶ Храните сырое мясо и рыбу в соответствующих контейнерах в холодильнике, чтобы они не касались и не капали на другие продукты.
 - ▶ Agar muzlatgich / sovutgich uzoq vaqt davomida ishlamayotgan bo'lsa, mog'or paydo bo'lishining oldini olish uchun jihozni o'chiring, muzdan tushiring, tozalang va eshikni ochiq qoldiring.
- Metalldan yasalgan yoki tashqi ko'rinishiga ko'ra metallga o'xshash asbob qismlarida alyuminiy bo'lishi mumkin. Kislota o'z ichiga olgan mahsulotlar alyuminiy elementlari bilan aloqa qilganda, alyuminiy ionlari mahsulotlarga kirib boradi.
- ▶ Bunday ovqatlarni iste'mol qilmang.

1.7 Buzilgan qurilma

⚠ OGOHLANTIRISH – Tok urish xavfi!

Zarar etkazilgan qurilma yoki shikastlangan elektr kabeli xavfli manbadir.

- ▶ Buzilgan qurilmani ishlatish qat'iy taqiqlanadi.
- ▶ Qurilmani elektr ta'minotidan uzish uchun elektr simini tortmang. Quvvat vilkasini rozetkadan ajratib oling.
- ▶ Qurilma yoki elektr kabeli shikastlangan bo'lsa, darhol elektr vilkani elektr kabelidan ajratib oling yoki predoxranitellar qutisidagi predoxranitelni ochiring.
- ▶ Mijozlarga xizmat ko'rsatish markaziga murojaat qiling.
→ *Sahifa 123*

Tegishli bo'lmagan holda tuzatishlarni amalga oshirish xavfli.

- ▶ Qurilma faqat malakali mutaxassislar tomonidan ta'mirlanishi mumkin.
- ▶ Qurilmani ta'mirlash uchun faqat original zaxira qismlar ishlatilishi mumkin.

- ▶ Agar ushbu qurilma shnuri shikastlangan bo'lsa, unda xavfli vaziyatlarni bartaraf qilish uchun uni ishlab chiqaruvchi yoki uning mijozlarga xizmat ko'rsatish markazi yoki shu kabi malakaga ega bo'lgan shaxs o'zgartirishi kerak.

⚠ OGOHLANTIRISH – Yong'in xavfi!



Agar quvurlar buzilgan bo'lsa, yonuvchan sovutgich va zararli gazlar sizib chiqishi va yonishi mumkin.

- ▶ Olov va o't oldirish manbalarini qurilmadan uzoq tuting.
- ▶ Xonani ventilyatsiya qiling.
- ▶ Qurilmani o'chiring. → *Sahifa 110*
- ▶ Elektr vilkasini rozetkadan chiqarib oling yoki saqlagich qutisidagi saqlagichni o'chiring.
- ▶ Mijozlarga xizmat ko'rsatish markaziga murojaat qiling.
→ *Sahifa 123*

2 Buyumlarga zarar yetishining oldini olish

DIQQAT!

Qurilmaning g'ildiraklarining egilishi qurilmani siljitganda polga zarar yetkazishi mumkin.

- ▶ Qurilmani yuk mashinasi bilan tashing.
- ▶ Qurilmani siljitganda zamin himoyasidan foydalaning va zigzag shaklida harakat qilmang.

Qurilma, sokol, tortma yoki eshiklarni o'rindiq yoki platforma sifatida ishlatish qurilmaga zarar yetkazishi mumkin.

- ▶ Qurilma, sokol, tortma yoki eshiklarga qadam qo'ymang yoki ustiga suyanmang.

Yog 'va surtma plastik qismlar va eshik muhrlarini g'ovakli qilishi mumkin.

- ▶ Plastik qismlar va eshik tiqinlarini moy va yog'lanishdan saqlang.

Metaldan yasalgan yoki tashqi ko'rinishiga ko'ra metallga o'xshash asbob qismlarida alyuminiy bo'lishi mumkin. Alyuminiy kislotali mahsulotlar bilan aloqa qilishda reaksiyaga kirishadi.

- ▶ Qurilmada mahsulotni qadoqsiz saqlamang.

Uskunalar va aksessuarlarning buyumlarini idish yuvish mashinasida yuvishda ular deformatsiyalanishi yoki rangsizlanishi mumkin.

- ▶ Qurilmaning ehtiyot qismlari va aksessuarlarini idish yuvish mashinasida yuvmang.

3 Atrof-muhitni himoya qilish va iqtisod qilish

3.1 Paketlarni qayta ishlash

Qadoqlash materiallari ekologik jihatdan xavfsiz va qayta ishlatilishi mumkin.

- ▶ Ayrim qismlarni oldindan ajratib olib, utilizasiya qiling.

3.2 Energiyani tejash

Ushbu ko'rsatmalarga rioya qilsangiz, qurilma kam elektr quvvatini sarflaydi.

Joyni tanlash

- Qurilmani to'g'ridan-to'g'ri quyosh nurlaridan saqlang.
- Jihazni iloji boricha radiatorlar, pechkalar va boshqa issiqlik manbalaridan o'rnating:
 - Elektr yoki gaz plitalaridan 30 mm masofani saqlang.
 - Jihazdan yog 'yoki ko'mir pechlariga 300 mm masofani saqlang.
- Yon devorga 50 mm masofani saqlang.
- Hech qachon tashqi shamollatish teshiklarini yopmang va to'smang.

Foydalanishda energiya tejash

Yozib olish: Qurilma ichida uskunalar elementlarining joylashishi qurilmaning quvvat sarfiga ta'sir qilmaydi.

- Qurilmani faqat qisqa vaqt ichida oching va ehtiyotkorlik bilan yoping.
- Hech qachon ichki shamollatish teshiklarini yoki tashqi shamollatish teshiklarini yopmang va to'smang.
- Sotib olingan mahsulotlarni issiqlik izolyatsiyalangan sumkada olib boring va tezda qurilmaga yuklang.

- Saqlashdan oldin iliq ovqatlar va ichimliklar sovishini kuting.
- Muzlatilgan ovqatni muzdan tushirish uchun muzlatgich kamerasiga qo'ying.
- Har doim mahsulot va orqa devor o'rtasida bir oz bo'sh joy qoldiring.

Kutish rejimi

Asbob ishlatilmaganda, displey avtomatik ravishda kutish rejimiga o'tadi.

Kutish rejimida boshqaruvning yorug'ligi pasayadi va holat ko'rsatkichi oq rangda yonadi.

4 O'rnatish va quvvat manbaiga ulash

4.1 Yetkazib berilish to'plami

Qadoqni ochib bo'lgach, barcha qismlarni yuk tashish vaqtida shikastlanmaganligi va butligini tekshiring.

Agar biron bir shikoyatingiz bo'lsa, iltimos, sotuvchingizga yoki bizning mijozlarga xizmat ko'rsatuvchi → *Sahifa 123* bilan bog'laning.

to'plam quyidagilarni o'z ichiga oladi:

- Tik turuvchi qurilma
- Uskunalar va aksessuarlar¹
- O'rnatish materiallari
- O'rnatish bo'yicha ko'rsatmalar
- Foydalanish yo'riqnomasi
- Xizmatlar ro'yxati
- Kafolat ilovasi²
- Energiya yorlig'i
- Energiya iste'moli va shovqin haqida ma'lumot

¹ qurilma jihozlanishiga bog'liq

² Barcha mamlakatlar uchun emas

4.2 O'rnatish joyini tanlash mezonlari

OGOHLANTIRISH Portlash xavfi bor!

Juda yaqin joylarda, sovutgich oqadigan bo'lsa, yonuvchan gaz / havo aralashmasi paydo bo'lishi mumkin.

- ▶ Qurilmani faqat kamida 1 m³ maydoni bo'lgan xonaga 8 g sovutgich bilan joylashtiring. Sovutgich miqdori plastinkada ko'rsatilgan. → Ras. **1** / **3**

Qurilmaning og'irligi zavod modeliga qarab 110 kg gacha bo'lishi mumkin. Qurilmaning og'irligini ko'tarish uchun u o'rnatiladigan sirt yetarlicha barqaror bo'lishi kerak.

Tavsiya qilingan xona harorati

Ruxsat etilgan xona harorati jihozning iqlim sinfiga bog'liq.

Uskunaning iqlim sinfi plita ustida ko'rsatilgan. → Ras. **1** / **3**

Harorat darajasi	Tavsiya qilingan xona harorati
SN	10 °C–32 °C
N	16 °C–32 °C
ST	16 °C–38 °C
T	16 °C–43 °C

Qurilma ruxsat etilgan xona haroratida to'liq ishlaydi.

Agar SN iqlim sinfidagi moslama pastroq xona haroratida ishlatilsa, jihozning shikastlanishini xona harorati 5 °C gacha chiqarib tashlash mumkin.

Ortiqcha va pastda va yonma-yon joylashtirish

Agar siz 2 ta sovutish moslamasini bir-birining ustiga yoki bir-birining yonida o'rnatmoqchi bo'lsangiz, qurilmalar o'rtasida kamida 150 mm masofani saqlashingiz kerak.

Tanlangan qurilmalar uchun minimal bo'shliqsiz o'rnatish mumkin. Bu haqida ixtisoslashgan dilingizdan yoki xizmat rejalashtiruvchisidan so'rang.

4.3 Qurilmani o'rnatish

- ▶ Установите прибор в соответствии с прилагаемой инструкцией по монтажу.

4.4 Подготовка прибора к началу эксплуатации

1. Выньте информационные материалы.
2. Снимите защитную плёнку и транспортировочные крепления, такие как клейкая лента и картон.
3. Birinchi ishlatishdan oldin qurilmani tozalang. → *Sahifa 116*

4.5 Qurilmani elektr ravishda ulash

1. Tarmoq kabeli vilkasini qurilma oldidagi rozetkaga kiriting. Qurilma ulanishi parametrlari maxsus plitada ko'rsatilgan.. → *Ras. 1 / 3*
2. Elektr shnuri vilkasining kuchlanishini tekshiring.
- ✓ Qurilma ishlatishga tayyor.

5 Qurilma bilan tanishish

5.1 Qurilma

Qurilmangizning tafsilotlari haqida qisqacha ma'lumot.

→ *Ras. 1*

A	Muzlatgich → <i>Sahifa 113</i>
B	Sovutish kamerasi → <i>Sahifa 113</i>
1	Yoritish moslamasi
2	Muz ishlab chiqaruvchi → <i>Sahifa 108</i>
3	Plitalar turi → <i>Sahifa 124</i>
4	Gazak uchun konteyner → <i>Sahifa 108</i>
5	Haroratni nazorat qilish moslamasi (saqlash idishi) → <i>Sahifa 110</i>
6	Saqlash idishi → <i>Sahifa 108</i>
7	Namlikni tartibga soluvchi sabzavot va mevalar uchun quti → <i>Sahifa 108</i>
8	Boshqaruv paneli → <i>Sahifa 107</i>
9	Ichki ventilyatsiya (Sovutish tizimi)
10	Suv dispenserini → <i>Sahifa 115</i>
11	O'zgaruvchan tokcha → <i>Sahifa 107</i>
12	Katta butilkalar uchun eshik javoni → <i>Sahifa 108</i>
13	Vintli oyoq

Yozib olish: Qurilmangizning jihozlari va o'lchamlari ko'rsatilganidan farq qilishi mumkin.

5.2 Boshqaruv paneli

Boshqaruv paneli orqali siz qurilmaning barcha funksiyalarini o'rnatasiz va ish tartibi haqida ma'lumot olasiz.

→ Ras. **2**

- 1** Muzlatish kamerasining belgilangan haroratini ° C da aks ettiradi.
- 2** **ALARM** harorat o'zgarishi signali yoniq bo'lsa.
- 3** superfreeze yoqilgan bo'lsa, Intensiv muzlatish yonadi.
- 4** ^{freezer} ^{fridge} xonani tanlash, haroratni o'zgartirish yoki ba'zi qo'shimcha funksiyalarni faollashtirish uchun ishlatiladi.
- 5** Sovutgich kamerasining belgilangan haroratini ° C da aks ettiradi.
- 6** Agar eshik ochiq budilnik yoqilgan bo'lsa, **ALARM** yonadi.
- 7** supercool yoqilgan bo'lsa, Supersovutish yonadi.
- 8** Yangilik rejimi yoqilganda, **fresh** yonadi.
- 9** Kutish rejimi yoqilganda  yonadi.
- 10** **mode** rejimlarni tanlash uchun ishlatiladi.
- 11** Energiyani tejash rejimi yoqilganda,  chiroqlari yonadi.
- 12** +/- tanlangan bo'limlarda haroratni o'rnatadi.
- 13** Индикатор состояния показывает режим работы прибора.
- 14** **lock** boshqaruv paneli tugmachasini qulflashni yoqadi yoki o'chiradi.

15 **super** tanlangan filiallarda supercool va superfreeze ni yoqadi yoki o'chiradi.

16  ^{3s}/ ^{3s} tugmachani qulflash yoki o'chirishda yonadi.

6 Ta'minot

Qurilmangizning tarkibi modelga bog'liq.

6.1 Tokcha

Agar siz javonni qayta joylashtirmoqchi bo'lsangiz, uni olib chiqib, boshqa joyga o'rnatib.
→ "Tokchalarni olib tashlash",
Sahifa 117

6.2 O'zgaruvchan tokcha

O'zgaruvchan tokchadan pastki tokchadagi baland idishlar, masalan, quilar va butilkalar uchun foydalaning.

O'zgaruvchan tokchadan foydalanish

- 1.** Chapdagi o'zgaruvchan tokchani ushlab turing va mandallar chiqarilguncha uni o'ng tomonga torting.
→ Ras. **3**
- 2.** O'zgaruvchan tokchani o'ng tomonga ko'taring, ^① ni torting va ^②ni olib tashlang.
→ Ras. **4**
- 3.** O'zgaruvchan tokchani o'ng tomonini tokchani chap tomoniga tushishi uchun iloji boricha siljiting.
→ Ras. **5**

6.3 Gazak uchun konteyner

Paketlengan ovqatlar yoki kichik gazaklarni gazak idishida saqlang. gazak idishini olib tashlash mumkin. Buning uchun gazak idishini ko'taring va yechib oling. Gazak konteyner ushlagichini ko'chirish mumkin.

→ Ras. 6

6.4 Saqlash idishi

Saqlash idishi sovutgich kamerasidan pastroq harorat hosil qiladi. Harorat vaqtincha 0 ° C dan pastga tushishi mumkin.

Saqlash idishidagi haroratni 0 ° C da ushlab turish uchun muzlatgich kamerasidagi haroratni 2 ° C ga qo'ying. → *Sahifa 110*

Baliq, go'sht va kolbasa kabi tez buziladigan ovqatlarni saqlash uchun saqlash idishini pastroq haroratga qo'ying.

6.5 Namlikni tartibga soluvchi sabzavot va mevalar uchun quti

Paketlanmagan yangi meva va sabzavotlarni meva va sabzavotli idishda saqlang.

Kesilgan meva va sabzavotlarni yoping yoki havo o'tkazmaydigan idishda saqlang.

Namlik regulyatori va maxsus muhr yordamida meva va sabzavot qutisidagi havo namligini tartibga solish mumkin. Bu meva va sabzavotlarni an'anaviy saqlashdan ikki baravar ko'proq yangi saqlaydi.

→ Ras. 7

Yuklangan mahsulotlarning turiga va miqdoriga qarab meva va sabzavot bo'linmasidagi namlik regulyatorini bosish orqali havo namligini sozlash:

- asosan meva, aralash yoki katta yukni saqlashda past namlik ☺;

- asosan sabzavot va mayda yuklarni saqlashda yuqori namlik ☹☹.

Saqlanadigan oziq-ovqat miqdori va turiga qarab meva-sabzavotli idishda kondensat paydo bo'lishi mumkin. Kondensatni quruq mato bilan artib oling va namlik nazorati yordamida havo namligini past darajaga o'rnatish.

Sifat va lazzatni saqlab qolish uchun sovuqqa sezgir bo'lgan ananas, banan, sitrus mevalar, bodring, qovoq, qalampir, pomidor va kartoshka kabi sabzavot va sabzavotlarni muzlatgich tashqarisida taxminan 8 ° C dan 12 ° C gacha bo'lgan haroratda saqlang.

6.6 Eshik tokchasi

Agar siz eshik javonlarini qayta o'rnatmoqchi bo'lsangiz, ularni olib chiqib, boshqa joyga o'rnatish.

→ "*Eshik javonlarini olib tashlash*", *Sahifa 117*

6.7 Muz ishlab chiqaruvchi

Ichimlik suvidan muz kupligini yasash uchun muz ishlab chiqaruvchidan foydalaning.

Muz kublarini tayyorlash

Muz kublarini tayyorlash uchun faqat ichimlik suvidan foydalaning.

1. ①②muz kublarini olib tashlang, uni $\frac{3}{4}$ ichimlik suvi bilan to'ldiring va joyga ③ni joylashtiring.

→ Ras. 8

Yozib olish: Ko'p miqdorda suv muz ishlab chiqaruvchiga xalaqit berishi mumkin. Muz kublari muz kubigidan ajralmaydi. Agar muz idishiga juda ko'p suv tushsa, u yerdagi muzlar muzlaydi.

2. Muz kublari tayyor bo'lgach, muz kupligini idishini ushlagichini o'ng tomonga bir necha marta burang va qo'yib yuboring.
→ Ras. **9**
- ✓ Kublar qolipdan bo'shashib qoladi va muzli idishga tushadi.
3. Idishni tortib oling va undan muz kublarini olib tashlang.
→ Ras. **10**

6.8 Qo'shimcha jihozlar

Asl aksessuarlardan foydalaning. Ular sizning qurilmangiz uchun maxsus mo'ljallangan.

Sizning asbobingiz aksessuari modelga ko'ra farq qiladi.

Tuxum joylagichi

Tuxumingizni xavfsiz saqlash uchun tuxum joylagichidan foydalaning.

Shisha idishni tutib turuvchi moslama

Держатель для бутылок предотвращает опрокидывание бутылок при открывании и закрывании дверцы.

→ Ras. **11**

O'zgaruvchan shisha tokcha

Shisha idishlarni sozlanuvchan shisha tokchada xavfsiz saqlang.

→ Ras. **12**

Muz kubikli idish

Muz kublarini tayyorlash uchun muzli idishdan foydalaning.

Muz kublarini tayyorlash

Muz kublarini tayyorlash uchun faqat ichimlik suvidan foydalaning.

1. Muz kupligini idishni $\frac{3}{4}$ qismiga ichimlik suvi bilan to'ldiring va muzlatish kamerasiga qo'ying.

Muzlatilgan muz patnisini yog'och qoshiq tutqichi kabi to'mtoq narsa bilan bo'shating.

2. Muz kublarini olib tashlash uchun muzli idishni suv ostida qisqa ushlab turing yoki ozgina egib oling.

7 Ishlatish haqidagi asosiy ma'lumot

7.1 Qurilmani ishga qo'shing

1. Qurilmani elektr tarmog'iga ulang.
→ *Sahifa 106*

Yozib olish: Agar qurilma ilgari boshqaruv paneli yordamida o'chirilgan bo'lsa, + 10 soniya davomida ushlab turing.

- ✓ Qurilma sovuq ishlab chiqarishni boshlaydi.
- ✓ Budilnik eshutiladi, harorat indikatori (muzlatgich kamerasi) yonadi, **ALARM** yonadi va holat ko'rsatkichi qizil rangda yonadi, chunki muzlatish kamerasi hali ham iliq.
- 2. ^{freeszer} ^{fridge} tugmasi bilan ogohlantirish signalini o'chiring.
- ✓ **ALARM** belgilangan haroratga yetishi bilan o'chadi.
- 3. Istalgan haroratni o'rnating.
→ *Sahifa 110*

7.2 Foydalanish bo'yicha ko'rsatmalar

- Qurilma yoqilganda, belgilangan harorat bir necha soatdan keyin erishiladi. Belgilangan haroratga yetguncha ovqatni yuklamang.

UZ Qo'shimcha funktsiyalar

- Eshik yopilganda vakuum paydo bo'lishi mumkin. Eshikni ochish qiyinroq bo'ladi. Salbiy bosimni tenglashtirishni kuting.
- Qurilmadagi harorat quyidagi shartlar tufayli o'zgarashi mumkin:
 - Asbobni ochish chastotasi
 - Yuklab olish miqdori
 - Yangi joylashtirilgan oziq-ovqat harorati
 - Atrof-muhit harorati
 - To'g'ridan-to'g'ri quyosh nuri

7.3 Qurilmani o'chirish

- ▶ + tugmachasini bosib va 10 soniya ushlab turing.

7.4 Haroratni sozlash

Sovutgich kamerasidagi haroratni sozlash

1. ^{freezer} ^{fridge} bilan muzlatgich kamerasini tanlang.
2. Harorat displeyida (sovutish kamerasida) kerakli harorat sozlamalari ko'rsatilguncha +/– tugmasini bosib.

Belgilangan haroratga erishish uchun saqlash idishining harorat regulyatorini pastki qismdan $\frac{1}{3}$ holatiga o'tkazing. → *Sahifa 110*
Sovutgich kamerasida tavsiya etilgan harorat 4°C ni tashkil qiladi.

Saqlash idishidagi haroratni sozlash

1. Haroratni pasaytirish uchun haroratni boshqarish moslamasini **extra cold** ga o'tkazing.
2. Haroratni oshirish uchun haroratni boshqarish moslamasini **cold** ga o'tkazing.

→ Ras. **13**

Muzlatish kamerasidagi haroratni sozlash


1. ^{freezer} ^{fridge} bilan muzlatish kamerasini tanlang.
2. Harorat displeyida kerakli harorat sozlamalari (muzlatish kamerasi) paydo bo'lguncha +/– tugmasini bosib.

Muzlatish kamerasida tavsiya etilgan harorat -18°C .


7.5 Tugmalarni qulflash (bolalarga qarshi himoya)

Klaviatura qulfi asbobni rejasiz yoki noto'g'ri ishlatilishini oldini oladi.

Klaviatura qulfini yoqish

- ▶ **lock** tugmachasini bosib va 3 soniya ushlab turing.
- ✓  3s yonib turibdi.

Klaviatura qulfini o'chirish

- ▶ **lock** tugmachasini bosib va 3 soniya ushlab turing.
- ✓  3s yonib turibdi.

8 Qo'shimcha funktsiyalar

Qurilmangiz qanday qo'shimcha funktsiyalarni qo'llab-quvvatlashini bilib oling.

8.1 Supersovutish

Supersovutishyoqilganda, muzlatgich kamerasi ichidagi sovutish imkon qadar kuchayadi.

Ko'p miqdorda oziq-ovqat mahsulotlarini saqlashdan oldin Supersovutish ni qo'shing.

Yozib olish: Supersovutishni yoqish ish shovqinini oshirishi mumkin.

Supersovutish ni yoqish

- ▶ **super** yonmaguncha **supercool** tugmachasini bosing.

Yozib olish: Taxminan 6 soatdan so'ng, qurilma normal ishlashga o'tadi.

Supersovutish ni o'chirish

- ▶ **super** ni bosing.
- ✓ Belgilangan harorat displeyda ko'rsatiladi.

8.2 Intensiv muzlatish

Intensiv muzlatish yoqilganda, sovutish kamerasi ichidagi sovutish imkon qadar kuchayadi.

2 kg dan ortiq ovqatni saqlashdan oldin Intensiv muzlatish ni 4-6 soat davomida yoqing.

Muzlatish imkoniyatlaridan foydalanish uchun Intensiv muzlatishni qo'shing.

→ "Muzlatish ishlashi uchun shartlar", Sahifa 114

Yozib olish: Intensiv muzlatishni yoqish ish shovqinini oshirishi mumkin.

Intensiv muzlatish ni yoqish

- ▶ **super** yonmaguncha **superfreeze** tugmachasini bosing.

Yozib olish: Taxminan 54 soatdan so'ng, qurilma normal ishlashga o'tadi.

Intensiv muzlatish o'chirish

- ▶ Нажимайте **super** до тех пор, пока не загорится **superfreeze**.

8.3 Ta'til rejimi

Agar siz uzoqroq vaqt davomida yo'q bo'lsangiz, qurilmada energiya tejaydigan ta'til rejimini yoqishingiz mumkin.



EHTIYOTKORLIK

Sog'likka zarar yetish xavfi!


Dam olish rejimi yoqilganda, muzlatgich kamerasi qiziydi. Haroratning ko'tarilishi bakteriyalarni ko'payishiga va ovqatni buzilishiga olib kelishi mumkin.

- ▶ Dam olish rejimi yoqilganda hech qanday ovqatni muzlatgich kamerasida saqlamang.

Qurilma haroratni avtomatik ravishda o'zgartiradi.

Sovutish kamerasi	14 °C
Muzlatgich	Harorat o'zgarmadi

Ta'til rejimini yoqish

- ▶ **mode** ajratilmaguncha  tugmachasini bosing.

Ta'til rejimini o'chirish

- ▶ Barcha rejimlar belgilanmaguncha **mode** tugmachasini bosing.


8.4 Elektr quvvatini tejash rejimi

Quvvatni tejash rejimi tufayli qurilma ish paytida quvvatni tejash rejimiga o'tadi.

Qurilma haroratni avtomatik ravishda o'zgartiradi.

Sovutish kamerasi	8 °C
Muzlatgich	-16 °C

Energiya tejash rejimini yoqish

- ▶ **mode** ajratilmaguncha  tugmachasini bosing.

Energiya tejash rejimini o'chirish

- ▶ Barcha rejimlar belgilanmaguncha **mode** tugmachasini bosing.

8.5 Tozalik rejimi

Oziq-ovqat mahsulotlarini uzoqroq yangilab turish uchun siz qurilmada tozalik rejimini o'rnatishingiz mumkin. Qurilma haroratni avtomatik ravishda o'zgartiradi.

Sovutish kamerasi	2 °C
Muzlatgich	Harorat o'zgarmadi

Tozalik rejimini sozlash

- ▶ **mode** ajratilmaguncha **fresh** tugmachasini bosing.

Tozalik rejimini o'chirish

- ▶ Barcha rejimlar belgilanmaguncha **mode** tugmachasini bosing.

9 Signalizatsiya

9.1 Eshik signali

Agar jihoz eshigi uzoq vaqt ochiq qolsa, eshik ochiq bo'lganda ogohlantirish signali paydo bo'ladi. Ogohlantirish ohanglari eshitaladi, holat nuri qizil va **ALARM** ga aylanadi.

Eshik ochiq bo'lganda ogohlantirish signalini o'chirish

- ▶ Qurilmaning eshigini yoping yoki freezer fridge tugmachasini bosing.
- ✓ Ogohlantirish signali o'chirilgan.

9.2 Harorat signali

Agar muzlatish kamerasi juda iliq bo'lsa, harorat ko'tarilishi haqida ogohlantirish faollashadi. Budilnik eshitaladi, harorat ko'rsatkichi (muzlatish kamerasi) yonib-o'chib turadi, **ALARM** paydo bo'ladi va holat ko'rsatkichi qizil rangga aylanadi.

EHTIYOTKORLIK

Sog'likka zarar yetish xavfi!

Eritish jarayonida bakteriyalar ko'payishi va muzlatilgan ovqat yomonlashishi mumkin.

- ▶ Avval muzlatilgan yoki eritilgan ovqatni qayta muzlatmang.
- ▶ Ovqatni faqat qaynatilgandan yoki qovurilganidan keyin muzlatib qo'ying.
- ▶ Maximal saqlash muddatining oxirigacha saqlamang.

Harorat ko'tarilishi to'g'risida ogohlantirish quyidagi hollarda faollashtirilishi mumkin:

- qurilma ishga tushirildi; Belgilangan haroratga yetguncha ovqatni saqlamang.
- Ko'p miqdorda yangi oziq-ovqat yuklandi. Iltimos, katta miqdordagi mahsulotni yuklamasdan oldin, Intensiv muzlatish ni yoqing.
- Muzlatgich eshigi juda uzoq vaqt ochiq edi. Muzlatilgan oziq-ovqat eritilganligini tekshiring.

Harorat ko'tarilishi to'g'risida ogohlantirishni o'chirib qo'yish

- ▶ Bosilgan freezer fridge.
- ✓ Ogohlantirish signali o'chirilgan.
- ✓ Harorat ko'rsatkichi (muzlatish kamerasi) qisqa vaqt ichida muzlatish kamerasida o'rnatilgan eng yuqori haroratni ko'rsatadi.

Keyin harorat ko'rsatkichi (muzlatish kamerasi) belgilangan haroratni ko'rsatadi.

- ✓ Shu vaqtdan boshlab eng yuqori harorat aniqlanadi va qurilma xotirasida yana saqlanadi.

10 Sovutish kamerasi

Sovutgich kamerasida go'sht, kolbasa, baliq, sut mahsulotlari, tuxum, tayyor ovqat va pishiriq mahsulotlarini saqlashingiz mumkin. Harorat 2 °C dan 8 °C gacha sozlanishi mumkin.

Sovuq saqlash tufayli siz tez buziladigan oziq-ovqat mahsulotlarini qisqa va o'rta muddatgacha saqlashingiz mumkin. Tanlangan harorat qancha past bo'lsa, shuncha vaqt ovqat yangi bo'lib qoladi.

10.1 Sovutgich kamerasida ovqatni saqlash bo'yicha tavsiyalar

- Faqat yangi va buzilmagan ovqatni yuklang.
- Mahsulotlar muhrlangan yoki yopiq qopqoq ostida saqlanishi kerak.
- Havoning aylanishini va oziq-ovqat muzlashini oldini olish uchun ovqatni ichki shamollatish teshiklari oldiga yoki orqa devorga yaqin qo'ymang.
- Avval issiq ovqat va ichimliklarni soviting.
- Ishlab chiqaruvchi tomonidan belgilangan sana yoki foydalanish sanasidan oldingi eng yaxshi narsalarga e'tibor bering.

10.2 Sovutgich kamerasidagi harorat zonarlari

Sovutgich kamerasidagi havo aylanishi har xil sovuq zonalarini hosil qiladi.

Eng sovuq zona

Eng zo'r zona yon tomonidagi o'q bilan ostidagi tokchani o'rtasida joylashgan.

Maslahat: Baliq, suv, go'sht kabi tez harakatlanadigan ovqatlarni eng sovuq joyda saqlang.

Eng issiq zona

Eng iliq zona eshikning eng yuqori qismida joylashgan.

Maslahat: Qattiq pishloq va sariyog' kabi eng issiq joyda uzoq saqlash muddati bo'lgan ovqatlarni saqlang. Shunda pishloq hidini tarqatishi va sariyog' yumshoq turishi mumkin.

11 Muzlatgich

Muzlatish kamerasida siz muzlatilgan ovqatni saqlashingiz, ovqatni muzlatishingiz va muz bo'laklarini tayyorlashingiz mumkin. Harorat -16 °C dan -24 °C gacha sozlanishi mumkin. Oziq-ovqat mahsulotlarini uzoq muddatli saqlash uchun -18 °C yoki undan past harorat tavsiya etiladi. Oziq-ovqat mahsulotlarini muzlatilgan holda saqlash tez buziladigan ovqatlarni uzoq vaqt saqlashga imkon beradi. Past harorat oziq-ovqat mahsulotlarining pasayishini pasaytiradi yoki oldini oladi.

11.1 Muzlatish quvvati

Muzlash ko'rsatkichi qancha miqdordagi ovqatni qancha vaqt muzlatish mumkinligini ko'rsatadi. Muzlash ko'rsatkichlari ma'lumotlarini plastinkada topish mumkin. → Ras. 1 / 3

Muzlatish ishlashi uchun shartlar

1. Yangi oziq-ovqat mahsulotlarini yuklashdan taxminan 24 soat oldin, Intensiv muzlatish tugmachasini bosing.
→ "Intensiv muzlatish ni yoqish", Sahifa 111
2. Dastlab, ovqatni muzlatish kamerasining old javoniga qo'ying.
3. Agar muzlatish kamerasining old qismida bo'sh joy bo'lmasa, qolgan ovqatni muzlatish kamerasining pastki qismining old qismiga qo'ying.

11.2 Muzlatish kamerasi bo'ylab oziq-ovqat mahsulotlarini qo'yish

Muzlatilgan ovqatning maksimal miqdorini muzlatish kamerasiga qanday joylashtirishni bilib oling.

1. Barcha armaturalarni muzlatish kamerasidan oling. → Sahifa 117
2. Ovqatni to'g'ridan-to'g'ri muzlatgichning pastki qismiga qo'ying.

11.3 Muzlatish kamerasida ovqatni saqlash bo'yicha maslahatlar

- Oziq-ovqatlarni havo o'tkazmaydigan idishlarda saqlang.
- Muzlatilishi kerak bo'lgan oziq-ovqat ilgari muzlatilgan oziq-ovqat bilan aloqa qilmasligi kerak.

- Kamerada ovqatni kengroq joyga yoying.

11.4 Yangi ovqatni muzlatish bo'yicha maslahatlar

- Faqat mukammal holatda bo'lgan yangi ovqatni muzlatib qo'ying.
- Oziq-ovqatlarni qismlarga bo'lib muzlatib qo'ying.
- Buning uchun xom ovqatdan ko'ra tayyor ovqatlar yaxshiroqdir.
- Muzlatishdan oldin sabzavotlarni yuvish, maydalash va oqartirish kerak.
- Meva muzlatishdan oldin ularni yuvish, chuqurga quyish va kerak bo'lsa, qobig'ini tozalash kerak, agar kerak bo'lsa, shakar yoki askorbin kislotasi eritmasini qo'shib qo'yish kerak.
- Muzlatish uchun mos ovqatlar - bu pishirilgan mahsulotlar, baliq va dengiz maxsulotlari, go'sht, ov, parranda go'shti, qobiqsiz tuxum, pishloq, sariyog', tvorog, tayyor ovqat va oziq-ovqat qoldiqlari.
- Muzlatish uchun yaroqsiz oziq-ovqatlar: turp, qobiqdagi tuxum, uzum, olma va nok, qatiq, smetana, fraix kremi va mayonez.

Muzlatiladigan mahsulotlar qadog'i

Kerakli qadoqlash materiali va kerakli turdagi qadoqlash mahsulot sifatini katta darajada saqlaydi va uning muzlashiga yo'l qo'ymaydi.

1. Oziq-ovqat mahsulotini qadoqqa soling.
2. Barcha havoni siqib chiqaring.
3. Ovqat ta'mini yo'qotmasligi va qurib ketmasligi uchun paketni mahkam yoping.
4. Paketda tarkibini va muzlash sanasini ko'rsating.

11.5 -18 ° C da muzlatilgan ovqatning yaroqlilik muddati

Mahsulotlar	Saqlash muddati
Baliq, kolbasa, tayyor ovqat, non mahsulotlari	6 oygacha
Parrandachilik, go'sht	8 oygacha
Sabzavotlar, mevalar	12 oygacha

Muzlatilgan oziq-ovqat mahsulotlarini saqlash muddati taqvim -18 ° C doimiy haroratda bir necha oy ichida maksimal saqlash muddatini ko'rsatadi.

11.6 Muzlatilgan oziq-ovqatlarni muzdan tushirish usullari

EHTIYOTKORLIK

Sog'likka zarar yetish xavfi!

- Eritish jarayonida bakteriyalar ko'payishi va muzlatilgan ovqat yomonlashishi mumkin.
- ▶ Avval muzlatilgan yoki eritilgan ovqatni qayta muzlatmang.
 - ▶ Ovqatni faqat qaynatilgandan yoki qovurilganidan keyin muzlatib qo'ying.
 - ▶ Maximal saqlash muddatining oxirigacha saqlamang.
 - Baliq, go'sht, pishloq va tvorog kabi hayvonot mahsulotlarini sovutish kamerasida muzdan tushiring.
 - Nonni xona haroratida muzdan tushiring.
 - Mikroto'lqinli pechda, idishda yoki pishirish panelida zudlik bilan ishlatish uchun ovqat tayyorlang.

12 Suv ta'minoti tizimi

Qurilmangiz suv ta'minoti komponentlari bilan jihozlangan.

12.1 Suv dispenseri

Sovuq suvni suv dispenseri orqali to'kib tashlang.

Suv idishini to'ldirish

EHTIYOTKORLIK Sog'likka zarar yetish xavfi!

Tankni ichimlik suvidan boshqa har qanday suyuqlik bilan to'ldirganda, yetkazib beriladigan suvning sifati kafolatlanmaydi.

- ▶ Suv idishini faqat ichimlik suvi bilan to'ldirish mumkin.

DIQQAT!

Suv omborini ichimlik suvidan boshqa har qanday suyuqlik bilan to'ldirish ta'minot tarmoqlarini to'sib qo'yishi mumkin.

- ▶ Suv idishini faqat ichimlik suvi bilan to'ldirish mumkin.
- ▶ ①suv idishini to'ldirish moslamasini oching va idishni ②belgisigacha toza ichimlik suvi bilan to'ldiring.
→ Ras. **14**

Suv olish

- ▶ Stakanni richag dastagiga bosong.
 - Agar 48 soat ichida suvdan namuna olinmagan bo'lsa, uning ta'mi "buzilib ketishi" mumkin. Suv idishini bo'shating.
 - Agar 5 kun davomida suv olinmasa, suv idishini tozalang, toza ichimlik suvi bilan to'ldiring va suv ta'minoti tizimini yuving. Suv ta'minoti tizimini yuvish uchun 2 l suv kerak bo'ladi.
- Ras. **15**

13 Eritish

13.1 Sovutgich kamerasini muzdan tushirish

Sovutgich kamerasi avtomatik ravishda muzdan tushadi.

13.2 Muzlatish kamerasida muzdan tushirish

To'liq avtomatik NoFrost tizimi tufayli muzlatish kamerasi ichida muz hosil bo'lmaydi. Muzdan tushirish shart emas.

14 Tozalash va parvarish qilish

Qurilmaning uzoq muddatli ishlashi uchun uni tozalash va parvarish qilish shart.

Kirish mumkin bo'lmagan joylarni tozalash mijozlarni qo'llab-quvvatlash xizmati tomonidan amalga oshirilishi kerak. Mijozlarni qo'llab-quvvatlash xizmati orqali tozalash moliyaviy jihatdan qimmatga tushishi mumkin.

14.1 Qurilmani tozalashga tayyorlash

1. Qurilmani o'chiring. → *Sahifa 110*
2. Qurilmani elektr tarmog'idan uzing. Elektr vilkasini rozetkadan chiqarib oling yoki saqlagich qutisidagi saqlagichni o'chiring.
3. Ovqatni chiqarib, salqin joyga qo'ying.
Agar mavjud bo'lsa, sovuq akkumulyatorlarni ovqatga qo'ying.
4. Qurilmadan barcha jihozlar va aksessuarlarni olib tashlang.
→ *Sahifa 117*

5. Sabzavot va meva idishi ustidagi tokchani olib tashlang.
→ *Sahifa 118*

14.2 Qurilmani tozalash

OGOHLANTIRISH Tok urish xavfi!

Kirgan namlik tok urishiga olib kelishi mumkin.

- ▶ Qurilmani tozalash uchun yuqori bosimli tozalash vositalarini yoki bug ' tozalash vositalarini ishlatmang.

Yoritish tizimiga, boshqaruv elementlariga yoki ichki shamollatish teshiklariga kiradigan suyuqlik xavfli bo'lishi mumkin.

- ▶ Suvni yoritish tizimiga, boshqaruv elementlariga yoki ichki shamollatish teshiklariga kirishiga yo'l qo'ymang.

DIQQAT!

Mos kelmaydigan tozalovchi vositalar asbobning yuzasiga zarar etkazishi mumkin.

- ▶ Qattiq mochalka yoki gubkalardan foydalanmang.
- ▶ Agresiv yoki abraziv tozalash vositalarini ishlatmang.
- ▶ Tarkibida katta miqdorda spirt mavjud bo'lgan tozalash vositalaridan foydalanmang.

Uskunalar va aksessuarlarning buyumlarini idish yuvish mashinasida yuvishda ular deformatsiyalanishi yoki rangsizlanishi mumkin.

- ▶ Qurilmaning ehtiyot qismlari va aksessuarlarini idish yuvish mashinasida yuvmang.

1. Qurilmani tozalash uchun tayyorlang. → *Sahifa 116*
2. Qurilmani, armatura, aksessuarlar va eshik qistirmalarini mato va iliq suv va ozgina pH neytral idish yuvadigan suyuqlik bilan tozalang.

3. Quruq yumshoq mato bilan artib oling.
4. Qurilmaning jihozlarini va qismlarini o'rnatib.
5. Qurilmani elektr tarmog'iga ulang.
→ *Sahifa 106*
6. Mahsulotlarni yuklab oling.

14.3 Uskunalar buyumlarini olib tashlash

Agar siz aksessuarlarni yaxshilab tozalashni xohlasangiz, ularni qurilmadan olib tashlang.

Tokchalarni olib tashlash

- ▶ Tokchalarni torting, ko'taring va olib tashlang.
→ *Ras. 16*

Gazak idishini ushlagich bilan olib tashlash

1. Gazak idishini olib tashlang.
2. Tokchani ushlagich bilan olib tashlang.
3. Tutqichni tokchaga qarab siljiting.
→ *Ras. 17*

Eshik javonlarini olib tashlash

- ▶ Eshik tokchasini ko'taring va yechib oling.
→ *Ras. 18*

Saqlash idishini olib tashlash

1. To'xtaguncha saqlash idishini tortib oling.
2. ① saqlash qutisini ko'taring va ② ni olib tashlang.
→ *Ras. 19*

Meva va sabzavot qutisini olib tashlash

1. Ular to'xtaguncha sabzavot va mevalar uchun idishlarni tortib oling.

2. ① ning old qismida meva va sabzavotli idishlarni ko'taring va ularni ② ni olib tashlang.
→ *Ras. 20*

Muz ishlab chiqaruvchini olib tashlash

1. ① muz kupligini va ② muz idishni olib tashlang va bo'shating.
→ *Ras. 21*
2. Muz kupligini ishlab chiqaruvchini ushlagichidan olib tashlash va ① ni olib tashlash uchun "Push" ② tugmachasini bosib.
→ *Ras. 22*
3. Tutqichni orqa tomondan ko'taring va ① muzlatgich tokchasining orqasiga tushiring. ② ni tortib ushlagichini yechib oling.
→ *Ras. 23*

Suv idishini olib tashlash

1. Suv idishini ko'taring va yechib oling.
2. Suv idishining qopqog'ini yechib oling va suvni tashlang.
3. **DIQQAT!** O'tkir narsalar muhrga zarar yetkazishi mumkin.
▶ Muhrni olib tashlash uchun hech qachon o'tkir narsalarni ishlatmang.
Qopqoqdagi muhrni olib tashlang.
→ *Ras. 24*

14.4 Asbob qismlarini olib tashlash

Qurilmani yaxshilab tozalash uchun jihozning ba'zi qismlarini olib tashlashingiz mumkin.

Sabzavot va mevalar uchun idish ustidagi javon

Yaxshilab tozalash uchun meva va sabzavot idishini qopqog'ini olib tashlashingiz mumkin.

Meva-sabzavot idishi ustidagi tokchani olib tashlash

1. Meva va sabzavot idishini olib tashlang. → *Sahifa 117*
2. Saqlash idishini olib tashlang. → *Sahifa 117*
3. ①Meva va sabzavot konteynerlarining qopqog'ini ko'taring va ularni ② olib tashlang. → *Ras. 25*
4. Meva-sabzavot idishi ustidagi tokchani ① tomonga burab, uni ② qilib oling. → *Ras. 26*

Sabzavot va mevalar uchun idish ustiga javon o'rnatish

1. Meva va sabzavot konteynerining ustidagi tokchani yon tomonga burab qo'ying, ① va uni ② ga tushiring. → *Ras. 27*
2. Namlikni boshqarish elementlarini oldinga siljiting. → *Ras. 28*
3. Meva va sabzavot idishlari qopqog'ini o'rnatish. → *Ras. 29*
Meva va sabzavot idishlarining qopqoqlari namlik regulyatorlari ostidagi teshiklarga mos kelishiga ishonch hosil qiling.
4. Meva va sabzavotlar uchun omborlar va idishlarni joylashtiring. → *Ras. 30*

15 Nosozliklarni bartaraf qilish

Qurilmangizdagi kichik nosozliklarni o'zingiz bartaraf qiling. Mijozlarga xizmat ko'rsatish tashkiloti bilan aloqada bo'lishdan oldin muammolarni bartaraf etish ma'lumotidan foydalaning. Bunda ortiqcha xarajatlarning oldini olgan bo'lasiz.



OGOHLANTIRISH

Tok urish xavfi!

Tegishli bo'lmagan holda tuzatishlarni amalga oshirish xavfli.

- ▶ Qurilma faqat malakali mutaxassislar tomonidan ta'mirlanishi mumkin.
- ▶ Qurilmani ta'mirlash uchun faqat original zaxira qismlar ishlatilishi mumkin.
- ▶ Agar ushbu qurilma shnuri shikastlangan bo'lsa, unda xavfli vaziyatlarni bartaraf qilish uchun uni ishlab chiqaruvchi yoki uning mijozlarga xizmat ko'rsatish markazi yoki shu kabi malakaga ega bo'lgan shaxs o'zgartirishi kerak.

Nosozlik	Nosozliklar sabablari va bartaraf etish
Прибор не охлаждает, индикаторы и подсветка горят.	Ko'rgazma rejimi amalda. <ol style="list-style-type: none"> 1. ^{freezer} ^{fridge} tugmachasini kamida 15 soniya bosib ushlab turing. 2. Qisqa vaqt o'tgach, sizning jihazingiz sovib ketayotganini tekshiring.
LED yoritgichi ishlamayapti.	Turli sabablar bo'lishi mumkin. <ul style="list-style-type: none"> ▶ Mijozlarga xizmat ko'rsatish markaziga qo'ng'iroq qiling. <p>Xizmat raqamini ilova qilingan xizmatlar ro'yxatida topish mumkin.</p>
Qurilmaning yon devori qizib ketadi.	Xatolik Quvurlar yon devorlarda ishlaydi va sovutish jarayonida qiziydi. Jihaz tekkanida mebel issiqdan shikastlanmaydi. Hech qanday amal bajarish kerak emas.
E yoki d harorat ko'rsatkichida ko'rinadi.	Elektron xatolik aniqlandi. <ol style="list-style-type: none"> 1. Qurilmani o'chirish. → <i>Sahifa 110</i> 2. Qurilmani elektr tarmog'idan uring. Jihazni elektr tarmog'idan uring yoki saqlagich qutisidagi mos keladigan saqlagichni o'chiring. 3. 5 daqiqadan so'ng qurilmani qayta yoqing. 4. Qurilmani ishga soling. → <i>Sahifa 109</i> 5. Agar xabar ekranda yana paydo bo'lsa, xizmat vakiliga murojaat qiling. Xizmat raqamini ilova qilingan xizmatlar ro'yxatida topish mumkin.

Nosozlik	Nosozliklar sabablari va bartaraf etish
Budilnik eshitaladi, harorat ko'rsatkichi (muzlatish kamerasi) yonib-o'chib turadi, ALARM paydo bo'ladi va holat ko'rsatkichi qizil rangga aylanadi.	<p>Turli sabablar bo'lishi mumkin.</p> <ul style="list-style-type: none">▶ ^{freezer} ^{fridge}-ni bosing.✓ Harorat ko'rsatkichi (muzlatish kamerasi) qisqa vaqt ichida muzlatish kamerasida o'rnatilgan eng yuqori haroratni ko'rsatadi. Keyin harorat ko'rsatkichi (muzlatish kamerasi) belgilangan haroratni ko'rsatadi.✓ Signalizatsiya o'chadi.✓ Harorat belgilangan qiymatga yetguncha ALARM yonadi.
	<p>Qurilmaning eshigi ochiq.</p> <ul style="list-style-type: none">▶ Qurilma eshigini yoping.
	<p>Ko'p miqdorda yangi oziq-ovqat yuklandi.</p> <ul style="list-style-type: none">▶ Muzlash qobiliyatidan oshmang. → "Muzlatish quvvati", Sahifa 114
Belgilangan haroratga erishilmadi. To'liq avtomatik muzdan tushirish endi ishlamaydi.	<p>Muzlatgich eshigi anchadan beri ochiq edi. NoFrost tizimidagi bug'lanish moslamasi (sovuq generator) juda muzli.</p> <p>Talab: Muzlatilgan ovqat yaxshilab qadoqlanib, salqin joyda saqlanishi kerak.</p> <ol style="list-style-type: none">1. Qurilmani o'chirish. → Sahifa 1102. Qurilmani elektr tarmog'idan uzing. Jihozni elektr tarmog'idan uzing yoki saqlagich qutisidagi mos keladigan saqlagichni o'chiring.3. Qurilmani devordan uzoqlashtiring.4. Qurilmaning eshigini ochiq qoldiring.✓ Taxminan 20 daqiqadan so'ng, eritilgan suv jihazning orqa qismidagi drenaj idishidagi drenaj teshigiga tusha boshlaydi. → Ras. 315. Karterni to'ldirishni oldini olish uchun eritilgan suvni shimgich bilan olib tashlang. Kondensatlangan suv bug'lanish tepsisiga tushmasa, moslama muzdan tushiriladi.6. Jihazning ichki qismini tozalang. → Sahifa 1167. Uskunani qayta ulang. → Sahifa 109

Nosozlik	Nosozliklar sabablari va bartaraf etish
Harorat belgilanganidan sezilarli darajada farq qiladi.	Turli sabablar bo'lishi mumkin. 1. Qurilmani o'chirish. → <i>Sahifa 110</i> 2. Taxminan 5 daqiqadan so'ng jihozni yoqing. → <i>Sahifa 109</i> – Agar harorat juda yuqori bo'lsa, uni ikki soatdan keyin tekshiring. – Agar harorat juda past bo'lsa, uni ertasi kuni tekshiring.
Qurilmaning yuzasida va javonlarida kondensat hosil bo'ladi.	Issiq va nam havodagi suv jihozning sovuqroq yuzalarida quyۇqlashadi. 1. Suvni yumshoq quruq mato bilan artib oling. 2. Qurilmani iloji boricha qisqa vaqt ichida oching. 3. Qurilmaning to'g'ri yopilganligiga ishonch hosil qiling.
Qurilma shovqin qiladi, shov-shuv chiqaradi, chayqatadi, chayqaladi, bosadi, yoriladi yoki sezadi.	Xatolik Sovutgich yoki ventilyator kabi dvigatel ishlaydi. Sovutgich quvurlar orqali oqadi. Dvigatel, kalit yoki elektromagnit klapanlari yoqilgan yoki o'chirilgan. Avtomatik muzdan tushirish jarayoni davom etmoqda. NoFrost tizimi muzdan tushirishni amalga oshiradi va suv tomchilari bug'lanadi. Hech qanday amal bajarish kerak emas.
Qurilma shovqin chiqaradi.	Qurilma noto'g'ri o'rnatilgan. ▶ Qurilmani spiral yoki vintli oyoq yordamida tekislang. <hr/> Mustaqil qurilma emas. ▶ Qurilma uchun minimal masofalarga rioya qiling. <hr/> Uskunalar yomon o'rnatilgan. ▶ Olinadigan uskunani tekshiring va ularni qayta o'rnatish. <hr/> Shishalar va idishlar bir biriga tegib turibdi. ▶ Shishalarni yoki boshqa idishlarni bir-biridan uzoqlashtiring. <hr/> Intensiv muzlatish yoqilgan. Hech qanday amal bajarish kerak emas.

15.1 Quvvat uzilishi

Elektr uzilishlari paytida jihozdagi harorat ko'tarilib, saqlash vaqtini qisqartiradi va muzlatilgan ovqat sifatini pasaytiradi.

Bizning veb-saytimizda sizning qurilmangiz uchun texnik ma'lumotlar ishlaymay qolganda muzlatilgan ovqatni saqlash vaqtini ko'rsatadi.

Eslatmalar

- Elektr uzilishi paytida qurilmani iloji boricha kamroq oching va boshqa ovqatlarni saqlamang.
- Elektr quvvati tiklangandan so'ng darhol oziq-ovqat sifatini tekshiring.
 - Eritilgan va 5 ° C dan yuqori bo'lgan ovqatni tashlang.
 - Bir oz eritilgan muzlatilgan ovqatni qaynatib oling yoki qovuring va uni iste'mol qiling va yana muzlatib qo'ying.

15.2 Asboblarni o'z-o'zini diagnostika qilish

Sizning qurilmangiz xizmat ko'rsatish bo'limi tomonidan bartaraf etilishi mumkin bo'lgan nosozliklarni ko'rsatadigan o'z-o'zini diagnostika qilish funktsiyasi bilan jihozlangan.

1. Qurilmani o'chiring. → *Sahifa 110*
 2. Qurilmani elektr tarmog'idan uzing.
Elektr vilkasini rozetkadan chiqarib oling yoki saqlagich qutisidagi saqlagichni o'chiring.
 3. 5 daqiqadan so'ng jihozni elektr tarmog'iga qayta ulang.
→ *Sahifa 106*
 4. Qurilmani ishga soling.
→ *Sahifa 109*
 5. Yoqilgandan keyin 2 daqiqa ichida, ovozli signal eshitilguncha, ^{freezer}ni 3 _{fridge} soniya bosib turing.
- ✓ Asbobni o'z-o'zini sinab ko'rish boshlandi.

- ✓ Agar qurilmani o'z-o'zini sinab ko'rishni tugatgandan so'ng, siz 2 ta signal eshitsangiz va harorat ko'rsatkichi belgilangan qiymatni ko'rsatsa, sizning qurilmangiz to'g'ri ishlamoqda. Qurilma normal rejimga o'tadi.
- ✓ Agar o'z-o'zini diagnostika qilish tugashi bilan 5 marta signal ovozi eshitilsa, xizmat ko'rsatish bo'limiga murojaat qiling.

16 Saqlash va yo'q qilish

16.1 Qurilmani ishdan chiqarish

1. Qurilmani o'chiring. → *Sahifa 110*
2. Qurilmani elektr tarmog'idan uzing.
Elektr vilkasini rozetkadan chiqarib oling yoki saqlagich qutisidagi saqlagichni o'chiring.
3. Mahsulotni chiqarib oling.
4. Suv idishini bo'shating.
5. Jihozni tozalash. → *Sahifa 116*
6. **DIQQAT!** Eshik va uy o'rtasida siqilgan narsalar eshik qurilmalariga zarar yetkazishi mumkin.
 - ▶ Eshikni o'z-o'zidan ochiq qolguncha oching.
 - ▶ Eshik va shkaf o'rtasida narsalarni siqmang.Ichki xonani ventilyatsiya qilish uchun jihozni ochiq qoldiring.

16.2 Eski qurilmalarni qayta ishlanadigan chiqitga chiqarish

Atrof-muhitga oid qoidalarga rioya qilgan holda bajarilgan utilizatsiya qimmatbaho xomashyoni qayta ishlash imkonini beradi.

OGOHLANTIRISH

Sog'likka zarar yetish xavfi!

Bolalar qurilma ichiga qulflanib qolib, xavfli holatlarga tushib qolishlari mumkin.

- ▶ Tokcha va g'aladonlarni chiqarib tashlamang! Ular bolalarni ichkariga kirishiga to'sqinlik qiladilar.
- ▶ Eskirgan qurilmani bolalar eta olmaydigan joyda saqlang.

OGOHLANTIRISH

Yong'in xavfi!

Agar quvurlar zararlangan bo'lsa, yonuvchan sovitish asbobi yonib ketishi va is gazi sizib, yong'in chiqishi mumkin.

- ▶ Sovutish va izolyatsiya quvurlariga zarar yetkazmang.

1. Elektr kabel vilkasini rozetkadan ajratib oling.
2. Tarmoq kabelini kesib oling.
3. Qurilmani atrof-muhit talablariga muvofiq bartaraf qiling.

Samarali utilizatsiya usullari haqidagi ma'lumotni ixtisoslashgan tijorat tashkilotidan, shuningdek tumaningiz yoki shahringiz hokimiyatidan olishingiz mumkin.



Ushbu qurilma Yevropa Ittifoqining Elektr texnika va elektron jihozlarni qayta ishlanadigan chiqitga chiqarish (WEEE) haqidagi 2012/19/EU

direktivasiga muvofiq ishlab chiqarilgan. Ushbu direktiva Yevropa uchun ishlatilgan elektr texnika jihozlarini qaytarish va qayta ishlash asoslarining amal qilish doirasini belgilab beradi.

17 Mijozlarga xizmat ko'rsatish

Kafolat muddati va shartlari haqida batafsil ma'lumotni mijozlarimizga xizmat ko'rsatuvchi idoradan, sotuvchilardan yoki bizning veb-saytimizdan topishingiz mumkin. Agar mijozlarga xizmat ko'rsatish markazi bilan bog'lansangiz, mahsulotning tartib raqami (E-Nr.) va ishlab chiqarish raqami (FD) kerak bo'ladi. Sizga xizmat ko'rsatuvchi markazning aloqa ma'lumotlari turli mamlakatlar yoki bizning veb-saytimizdagi mijozlarga xizmat ko'rsatish ro'yxatiga kiritilgan.

17.1 Mahsulotning tartib raqami (E-Nr.) va ishlab chiqarish raqami (FD)

Mahsulotning tartib raqami (E-Nr.) va ishlab chiqarish raqamini (FD) qurilmadagi yorliqdan topishingiz mumkin.

→ Ras. **1** / **3**

Uskunangiz ma'lumotlarini va mijozlarga xizmat ko'rsatish markazining telefon raqamini tezda topish uchun ma'lumotlarni yozma ravishda saqlashingiz mumkin.

18 Texnik ma'lumotlar

Sovutgich, foydalanishga yaroqli
hajm va boshqa texnik ma'lumotlar
plastinkada ko'rsatilgan.

→ Ras. **1** / **3**

لمزيد من المعلومات ، يرجى الرجوع إلى دليل المستخدم الرقمي.



فهرس المحتويات

6.5	درج الفاكهة والخضروات مع	127	1 الأمان
137	منظم الرطوبة	127	1.1 إرشادات عامة
138	رف الباب	127	1.2 الاستعمال المطابق
138	جهاز إعداد مكعبات الثلج	127	للتعليمات
138	الملحقات	127	1.3 تقييد دائرة المستخدمين
138	7 الاستعمال الأساسي	127	1.4 النقل الآمن
138	7.1 تشغيل الجهاز	128	1.5 التركيب الآمن
139	7.2 إرشادات حول التشغيل	129	1.6 الاستخدام الآمن
139	7.3 إيقاف الجهاز	131	1.7 الجهاز المتضرر
139	7.4 ضبط درجة الحرارة	133	2 تجنب الأضرار المادية
139	7.5 قفل الأزرار (وظيفة أمان الأطفال)	133	3 حماية البيئة والتوفير
140	8 الوظائف الإضافية	133	3.1 التخلص من مواد التغليف
140	8.1 التبريد الفائق	133	3.2 توفير الطاقة
140	8.2 التجميد الفائق	134	4 التنصيب والتوصيل
140	8.3 وضع العطللة	134	4.1 محتويات عبوة المنتج
141	8.4 وضع توفير الطاقة	134	4.2 معايير مكان النصب
141	8.5 وضع الأطعمة الطازجة	135	4.3 تركيب الجهاز
141	9 الإنذار	135	4.4 تحضير الجهاز للاستخدام لأول مرة
141	9.1 إنذار الباب	135	4.5 توصيل الجهاز كهربائياً
141	9.2 إنذار درجة الحرارة	135	5 التعرف
142	10 قسم التبريد	135	5.1 الجهاز
142	10.1 نصائح لتخزين الأطعمة في قسم التبريد	136	5.2 نطاق الاستعمال
142	10.2 النطاقات الباردة في قسم التبريد	136	6 التجهيزات
142	11 صندوق التجميد	136	6.1 الرف
143	11.1 قدرة التجميد	136	6.2 الرف المتغير
		137	6.3 وعاء حفظ الوجبات الخفيفة
		137	6.4 حاوية التخزين

11.2	استغلال سعة صندوق التجميد بالكامل	143
11.3	نصائح لتخزين الأطعمة في صندوق التجميد	143
11.4	نصائح حول تجميد الأطعمة الطازجة	143
11.5	صلاحية الأطعمة المجمدة في درجة حرارة -18 °م	144
11.6	طرق إذابة التجمد عن الأطعمة المجمدة	144
12	دورة الماء	144
12.1	مخرج الماء	144
13	إذابة التجمد	145
13.1	إذابة التجمد في قسم التبريد	145
13.2	إذابة التجمد في صندوق التجميد	145
14	التنظيف والعناية	145
14.1	تحضير الجهاز للتنظيف	145
14.2	تنظيف الجهاز	145
14.3	إخراج أجزاء التجهيزات	146
14.4	فك أجزاء الجهاز	146
15	التغلب على الاختلالات	148
15.1	انقطاع التيار الكهربائي	152
15.2	تنفيذ اختبار ذاتي للجهاز	152
16	التخزين والتخلص	152
16.1	إخراج الجهاز من الخدمة	152
16.2	التخلص من الجهاز القديم	153
17	خدمة العملاء	153
17.1	رقم المنتج (E-Nr.) ورقم الصنع (FD)	153
18	البيانات التقنية	154

1 الأمان

احرص على مراعاة إرشادات الأمان التالية.

1.1 إرشادات عامة

- اقرأ هذا الدليل بعناية.
- احتفظ بالدليل وبمعلومات المنتج لغرض الاستخدام اللاحق أو لتسليمها إلى المالك التالي.
- لا توصل الجهاز بالكهرباء في حالة وجود أضرار ناتجة عن عملية النقل.


1.2 الاستعمال المطابق للتعليمات

- لا تستخدم الجهاز إلا:
- لتبريد المواد الغذائية وتجميدها، وتحضير الثلج وإنتاج الماء.
- في المنزل الخاص وفي الأماكن المغلقة من المحيط المنزلي.
- حتى ارتفاع يبلغ 2000 م فوق سطح البحر.

1.3 تقييد دائرة المستخدمين

- يمكن للأطفال بدءاً من عُمر 8 سنوات فما فوق، وكذلك للأشخاص الذين يعانون نقصاً في القدرات الجُسمانية أو الحسية أو العقلية، أو يعانون نقصاً في الإدراك أو المعرفة أو كليهما، استخدام هذا الجهاز، إذا تم ذلك تحت إشرافٍ وبعد اطلاعهم على كيفية التشغيل الآمن للجهاز، وإدراك المخاطر الناتجة.
- لا يجوز للأطفال العبث بالجهاز.
- لا يجوز للأطفال تنظيف الجهاز أو إجراء أعمال الصيانة المنوطة بالمستخدم إلا إذا تمت مراقبتهم أثناء ذلك.

1.4 النقل الآمن

-  **تحذير - خطر الإصابة!**
- قد يؤدي الوزن المرتفع للجهاز إلى إصاباتٍ عند رفعه.
- ◀ لا ترفع الجهاز بمفردك.

1.5 التركيب الآمن

⚠ تحذير - خطر الصعق الكهربائي!

- ▶ تنطوي أعمال التركيب غير السليمة فنيًا على أخطار.
- ▶ لا توصل الجهاز وتشغل إلا وفقًا للقيم الموضحة على لوحة الصنع.
- ▶ لا توصل الجهاز إلا بمقيس مرگب بطريقة سليمة ومزود بوصلة تأريض على أن تكون شبكة الكهرباء ذات تيار متردد.
- ▶ يجب أن يكون نظام أسلاك الحماية الأرضية الخاص بتركيبات المنزل الكهربائية مركبًا وفقًا للوائح المعنية.
- ▶ لا تزود الجهاز أبدًا عبر تجهيزة تشغيل خارجية، من قبيل ميقاتي أو جهاز تحكم عن بعد.
- ▶ إذا كان الجهاز مرگبًا وجب أن يكون قابس الكهرباء لكابل التوصيل بالشبكة حر الحركة، أو إذا تعدّر تسهيل الوصول إليه، يجب في حالة التثبيت الكهربائي الدائم تركيب تجهيزة فصل طبقًا لتشريعات البناء.
- ▶ عند نصب الجهاز احرص على مراعاة ألا يكون كابل الكهرباء محشورًا أو متضررًا.
- ▶ أي عزل متضرر لكابل الكهرباء سوف يشكّل خطرًا.
- ▶ لا تقم مطلقًا بوضع وصلة الشبكة في وضع تلامس مع مصادر حرارية.

⚠ تحذير - خطر الانفجار!

- ▶ إذا كانت فتحات تهوية الجهاز مغلقة، فيمكن في حالة حدوث تسرب بدورة التبريد أن ينشأ خليط غاز وهواء قابل للاشتعال.
- ▶ لا تقم بغلق فتحات التهوية في جسم الجهاز أو في صندوق التركيب.

⚠ تحذير - خطر نشوب حريق!

- ▶ هناك خطورة عند استخدام كابل كهرباء مطول ومهايئ غير معتمد.
- ▶ لا تستخدم كابل إطالة أو مقبسًا متعددًا.
- ▶ لا تستخدم إلا المهايئات وكابلات الكهرباء المصّرّح بها من الجهة المُنْتِجة.
- ▶ إذا كان كابل الكهرباء أقصر من اللازم ولا يتوفّر كابل كهرباء أطول، فاتصل بشركة متخصصة في التوصيلات الكهربائية كي تُعدّل التركيبات المنزلية.

المقابس المتعددة المتنقلة أو أجزاء الشبكة يمكن أن تسخن للغاية وتسبب حريقًا.
 ◀ لا تضع المقابس المتعددة المتنقلة أو أجزاء الشبكة على الجهة الخلفية للجهاز.

1.6 الاستخدام الآمن

⚠ تحذير - خطر الصعق الكهربائي!

الرطوبة التي تتوغل في الجهاز قد تسبب صدمة كهربائية.
 ◀ لا تستخدم الجهاز إلا في أماكن مغلقة.
 ◀ لا تعرّض الجهاز أبدًا للحرارة والرطوبة الشديديتين.
 ◀ لا تستخدم أجهزة تنظيف بالضغط العالي أو أجهزة تنظيف البخار، كي تنظف الجهاز.

⚠ تحذير - خطر الاختناق!

يمكن أن يلف الأطفال مواد التغليف فوق رؤوسهم أو ينحسروا بداخلها ويختنقوا.
 ◀ أبعد مواد التغليف عن تناول الأطفال.
 ◀ لا تدع الأطفال يلعبون بمواد التغليف للجهاز.
 يمكن أن يستنشق الأطفال الأجزاء الصغيرة أو يبتلعوها ومن ثم يختنقون.
 ◀ أبعد الأجزاء الصغيرة عن تناول الأطفال.
 ◀ لا تدع الأطفال يلعبون بالأجزاء الصغيرة.

⚠ تحذير - خطر الانفجار!

عند تعرض دروة التبريد للضرر يمكن أن تتسرب مادة التبريد القابلة للاشتعال وتنفجر.
 ◀ لغرض تعجيل عملية إذابة التجمد لا تستخدم أية تجهيزات ميكانيكية أخرى أو أية وسائل أخرى غير تلك الموصى بها من قبل الجهة الصانعة.
 ◀ قم بفك الأطعمة المجمدة بأداة غير حادة، مثل مقبض ملعقة خشبية.
 المنتجات المحتوية على غازات نقّالة قابلة للاشتعال والمواد المتفجرة يمكن أن تنفجر، مثلًا علب الرش.
 ◀ تجنب تخزين المنتجات المحتوية على غازات نقّالة قابلة للاشتعال أو مواد متفجرة في الجهاز.

⚠️ تحذير - خطر نشوب حريق!

أية أجهزة كهربائية يتم وضعها داخل الجهاز يمكن أن تسبب حريقًا، مثل السخانات أو أجهزة إعداد الثلج الكهربائية.
 ◀ لا تقم بتشغيل أية أجهزة كهربائية داخل الجهاز.

⚠️ تحذير - خطر الإصابة!

يمكن أن تنفجر الحاويات المحتوية على مشروبات غازية.
 ◀ يحظر تخزين الحاويات المحتوية على مشروبات غازية في صندوق التجميد.
 إصابة العينين من جراء تسرب مادة التبريد القابلة للاشتعال والغازات الضارة.
 ◀ احرص على عدم إلحاق أضرار بأنابيب دورة التبريد أو العازل. الجهاز يمكن أن ينقلب.
 ◀ لا تضغط بقدمك على القاعدة أو الأرفف أو الأبواب، ولا تستند عليها.

⚠️ تحذير - خطر الإصابة بحروق!

عند تشغيل الجهاز تصعب أجزاءه الخلفية ساخنة.
 ◀ لا تلمس أبدا الأجزاء الساخنة.

⚠️ تحذير - خطر الإصابة بلسعات برد!

يمكن أن تؤدي ملامس الأطعمة المجمدة والأسطح الباردة إلى الإصابة باكتواءات بسبب البرودة.
 ◀ لا تتناول المواد المجمدة في فمك، فور إخراجها من صندوق التجميد.
 ◀ تجنب ملامسة الجلد لفترة طويلة للمواد المجمدة أو الثلج أو الأسطح الموجودة في صندوق التجميد.

⚠️ احترس - خطر حدوث أضرار صحية!

لتجنب تلوث الأطعمة يجب مراعاة التعليمات التالية.
 ◀ في حالة فتح الباب لفترة طويلة نسبياً، يمكن أن ترتفع درجة الحرارة بشكل بالغ في أقسام الجهاز.
 ◀ قم بصفة دورية بتنظيف الأسطح التي تلامس الأطعمة وأنظمة التصريف التي يمكن الوصول إليها.
 ◀ قم بتنظيف إناء الماء، إذا لم يتم استخدامه لمدة 48 ساعة. قم بشطف دورة الماء، إذا لم يتم سحب أي ماء منها لمدة 5 أيام.

- ◀ احفظ الأسماك واللحوم النيئة في أوعية مناسبة في الثلاجة بحيث لا تلامس الأطعمة الأخرى أو تتقاطر عليها.
- ◀ في حالة ترك جهاز التبريد/التجميد فارغًا لفترة طويلة نسبيًا، أو وقف الجهاز وقم بإذابة التجمد به وتنظيفه، واطرك الباب مفتوحًا، لتجنب حدوث تعفن.
- ◀ الأجزاء الموجودة في الجهاز والمصنوعة من المعدن أو تتميز بمظهر المعدن، قد تحتوي على الألومنيوم. إذا تلامست الأطعمة الحمضية مع الألومنيوم الموجود في الجهاز، فقد تنتقل أيونات الألومنيوم إلى الطعام.
- ◀ لا تتناول الأطعمة الملوثة.

1.7 الجهاز المتضرر

⚠ تحذير - خطر الصعق الكهربائي!

- ◀ أي جهاز متضرر أو كابل كهرباء تالف سوف يشكّل خطرًا.
- ◀ لا تشغل أبدًا جهازًا متضررًا.
- ◀ لا تشد كابل الكهرباء المتصل بالشبكة كي تفصل الجهاز عن شبكة الكهرباء أبدًا. انزع القابس الكهربائي من كابل الكهرباء دائمًا.
- ◀ إذا كان الجهاز متضررًا أو كابل التوصيل بالشبكة تالفًا، فاسحب على الفور القابس الكهربائي لكابل التيار أو افصل المصدر الموجود في صندوق المصاهر.
- ◀ اتصل بخدمة العملاء. ← صفحة 153
- ◀ تنطوي أعمال الإصلاح غير السليمة فنيًا على أخطار.
- ◀ وحدهم أفراد الطاقم الفني المدربون من أجل ذلك يُسمح لهم بإجراء إصلاحات على الجهاز.
- ◀ لا يُسمح إلا باستخدام قطع الغيار الأصلية لإصلاح الجهاز.
- ◀ إذا كان كابل الكهرباء لهذا الجهاز متضررًا، يجب تغييره من قبل الجهة الصانعة أو مركز خدمة العملاء التابع لها أو من قبل فني مؤهل بشكل مماثل، وذلك لتجنب المخاطر.

⚠ تحذير - خطر نشوب حريق!



- ◀ في حالة حدوث ضرر بالمواسير يمكن أن تتسرب مادة التبريد القابلة للاشتعال وتتسرب منها غازات ضارة وتشتعل.
- ◀ أبعد على الفور أي نار أو مصادر لهب عن الجهاز.
- ◀ قم بتهوية المكان.

- ◀ قم بإيقاف الجهاز. ←صفحة 139
- ◀ اسحب القابس الكهربائيّ لكابل التيار أو افصل المصهر الموجود في صندوق المصاهر.
- ◀ الاتصال بخدمة العملاء. ←صفحة 153

2 تجنب الأضرار المادية

تنبيه!

قد ينتج عن إمالة عجلات الجهاز إتلاف الأرضية عند نقل الجهاز.

- ◀ انقل الجهاز باستخدام عربة نقل.
- ◀ احرص على استخدام واقى للأرضية عند نقل الجهاز ولا تتحرك بطريقة متعرجة.

يمكن أن يتعرض الجهاز للضرر من جراء استخدام القاعدة أو الأرفف أو الأبواب كسطح جلوس أو سطح صعود.

- ◀ لا تضغط بقدمك على الجهاز أو القاعدة أو الأرفف أو الأبواب، ولا تستند عليها.

من خلال اتساقات الزيوت أو الدهون يمكن أن تصعب الأجزاء البلاستيكية وعناصر إحكام الباب مسامية.

- ◀ حافظ على الأجزاء البلاستيكية وعناصر إحكام الباب نظيفة من الزيوت والدهون.

الأجزاء الموجودة في الجهاز والمصنوعة من المعدن أو تتميز بمظهر المعدن، قد تحتوي على الألومنيوم. حيث يتفاعل الألومنيوم عندما يتصل بالأطعمة الحمضية.

- ◀ لا تقم بتخزين أي طعام في الجهاز دون تغليف.

عندما تقوم بتنظيف أجزاء التجهيزات والملحقات في غسالة الأواني، فإنها يمكن أن تتشوه أو يتغير لونها.

- ◀ لا تقم أبدًا بتنظيف أجزاء التجهيزات والملحقات في غسالة الأواني.

3 حماية البيئة والتوفير

3.1 التخلص من مواد التغليف

كافة مواد التغليف خامات غير ضارة بالبيئة ويمكن إعادة استغلالها.

- ◀ تخلص من المكونات المفردة بشكل منفصل حسب نوعها.

3.2 توفير الطاقة

عندما تتبع هذه الإرشادات، يستهلك جهازك كمية أقل من الطاقة.

اختيار مكان النصب

- احرص على حماية الجهاز من أشعة الشمس المباشرة.
- اجعل مكان نصب الجهاز أبعد ما يمكن عن عناصر التسخين أو الموقد أو مصادر الحرارة الأخرى:
- حافظ على وجود مسافة 30 مم نحو المواقد الكهربائية أو الغازية.
- حافظ على مسافة 300 مم نحو المواقد العاملة بالنفط أو الفحم.
- التزم بمسافة 50 مم من جانب الجدار.
- لا تقم أبدًا بتغطية فتحات التهوية الخارجية أو غلقها.

توفير الطاقة عند الاستخدام

- **ملاحظة:** ترتيب أجزاء التجهيزات لا يؤثر على استهلاك الطاقة للجهاز.
- لا تفتح الجهاز إلا لفترة قصيرة وأغلقه بعناية.
- لا تقم أبدًا بتغطية فتحات التهوية الداخلية أو فتحات التهوية الخارجية أو غلقها.
- احرص على نقل الأطعمة التي تشتريها في حقيبة حفظ البرودة ثم وضعها سريعًا في الجهاز.

- معلومات حول استهلاك الطاقة والوضاء

4.2 معايير مكان النصب

⚠ تحذير خطر الانفجار!

إذا كان الجهاز موجودًا في مكان صغير للغاية، فيمكن في حالة حدوث تسرب بدورة التبريد أن ينشأ خليط غاز وهواء قابل للاشتعال.

- ◀ لا تقم بنصب الجهاز إلا في مكان متوسط مساحة لا يقل عن 1 م³ لكل 8 جم من مادة التبريد. كمية مادة التبريد مدونة على لوحة الصنع. ← الشكل 1/3

قد يصل وزن الجهاز تبعًا للطراز من قبل المصنع حتى 110 كجم. لتحمل وزن الجهاز يجب أن تكون الأرضية مستقرة بدرجة كافية.

4.1 درجة الحرارة المحيطة المسموح بها

يرتبط تحديد درجة الحرارة المحيطة المسموح بها بفئة المناخ الخاصة بالجهاز. ستجد البيانات الخاصة بفئة المناخ على لوحة الصنع. ← الشكل 1/3

درجة الحرارة المحيطة المسموح بها	فئة المناخ
10 °م... 32 °م	SN
16 °م... 32 °م	N
16 °م... 38 °م	ST
16 °م... 43 °م	T

- اترك المواد الغذائية والمشروبات الساخنة تبرد قبل وضعها في الثلاجة.
- للانتفاع ببرودة المواد المجمدة ضع المواد المجمدة المراد إذابة تجمدها في قسم التبريد.
- اترك مسافة دائمة بين الأطعمة والجدار الخلفي للجهاز.

وضع الاستعداد

إذا لم يُستخدم الجهاز، تنتقل وحدة العرض إلى وضع الاستعداد أو توماتيكيًا. تنخفض شدة إضاءة لوحة الاستعمال في وضع الاستعداد ويضيء بيان الحالة باللون الأبيض.

4 التنصيب والتوصيل

4.1 محتويات عبوة المنتج

بعد إخراج كافة الأجزاء من عبوة التخليف، تأكد من خلوها من أية أضرار ناجمة عن النقل واكتمال مجموعة التوريدات. في حالات الشكاوى توجّه إلى تاجرِك أو إلى مركز خدمة العملاء ← صفحة 153 التابع لنا.

تتكون مجموعة التجهيزات الموردة من:

- جهاز مستقل
- التجهيزات والملحقات¹
- مواد التركيب
- دليل التركيب
- دليل الاستعمال
- سجل خدمة العملاء
- ملحق الضمان²
- ملصق الطاقة

¹ حسب تجهيز الجهاز

² ليست في كل البلدان

- 2 افحص مقبس الشبكة للتأكد من ثباته.
✓ وعندئذ يكون الجهاز جاهزاً للتشغيل.

يكون الجهاز قادراً على العمل بكامل طاقته في نطاق درجة الحرارة المحيطة المسموح بها.
إذا قمت بتشغيل جهاز من فئة المناخ SN في درجة حرارة محيطة أكثر برودة، فيمكن استبعاد حدوث أضرار بالجهاز حتى درجة حرارة محيطة 5° م.

5 التعرّف

5.1 الجهاز

تجد هنا نظرة عامة على مكوّنات جهازك.

← الشكل 1

A	المجمّد ←صفحة 142
B	درج التبريد ←صفحة 142
1	الإضاءة
2	جهاز إعداد مكعبات الثلج ←صفحة 138
3	لوحة الصنع ←صفحة 154
4	وعاء حفظ الوجبات الخفيفة ←صفحة 137
5	منظم درجة الحرارة (وعاء التخزين) ←صفحة 139
6	حاوية التخزين ←صفحة 137
7	درج الفاكهة والخضروات مع منظم الرطوبة ←صفحة 137
8	نطاق الاستعمال ←صفحة 136
9	فتحة التهوية الداخلية (صندوق التبريد)
10	مخرج الماء ←صفحة 144
11	الرف المتغير ←صفحة 136
12	رف الباب للزجاجات الكبيرة ←صفحة 138
13	قدم ذات مسامير حلزونية

التنصيب الفوقي والتحتي والمتجاور

إذا أردت تنصيب جهازي تبريد فوق بعضهما البعض أو بجوار بعضهما البعض، فيجب الحفاظ على مسافة فاصلة بينهما لا تقل عن 150 مم. مع بعض الأجهزة المختارة يمكن إجراء عملية التنصيب دون الالتزام بالحد الأدنى للمسافة. يُرجى الاستفسار عن ذلك من خلال الوكيل المتخصص لديك أو مصمم المطبخ.

4.3 تركيب الجهاز

- ◀ قم بتركيب الجهاز طبقاً لما ورد بدليل التركيب المرفق.

4.4 تحضير الجهاز للاستخدام لأول مرة

1. أخرج مواد المعلومات.
2. قم بإزالة رقائق الحماية ووسائل تأمين النقل، مثلاً الأشرطة اللاصقة والكارتون.
3. قم بتنظيف الجهاز لأول مرة.
←صفحة 145

4.5 توصيل الجهاز كهربائياً

1. أدخل مقبس الشبكة لكابل التوصيل بالكهرباء للجهاز في مقبس قريب من الجهاز.
- توجد بيانات توصيل الجهاز على لوحة الصنع. ←الشكل 1/3

lock يقوم بتشغيل أو إيقاف قفل أزرار نطاق الاستعمال.	14
super يقوم بإيقاف أو تشغيل supercool و superfreeze في القسم المختار.	15
الأزرار أو إيقافه. عند تشغيل قفل 3s/3s	16

ملاحظة: يمكن أن تكون هناك اختلافات بين جهازك والصور فيما يتعلق بالتجهيز والحجم.

5.2 نطاق الاستعمال

اضبط كل وظائف جهازك واحصل على معلومات حول حالة التشغيل عبر لوحة الاستعمال.

← الشكل 2

6 التجهيزات

ويرتبط تجهيز جهازك بالطراز المعني.

6.1 الرف

لتغيير مواضع الأرفف حسب الحاجة، أخرج الرف وأعد تركيبه في موضع آخر. ← "إخراج الرف"، صفحة 146

6.2 الرف المتغير

استخدم الرف المتغير لتخزين المواد الغذائية المبردة المرتفعة على الرف الموجود تحته، مثلاً الأباريق أو الزجاجات.

استخدام الرف المتغير

1. أمسك الجزء الأيسر للرف المتغير واسحب الجزء الأيمن منه للخارج حتى ينحل المشبك.

← الشكل 3

2. ارفع الجزء الأيمن للرف المتغير من الأمام ① ثم اخلعه ②.

← الشكل 4

3. أدخل الجزء الأيمن للرف المتغير أسفل الجزء الأيسر للرف المتغير حتى النهاية.

← الشكل 5

يظهر درجة الحرارة المضبوطة للمجمد بوحدة °م.	1
ALARM يضيء عندما يكون إنذار درجة الحرارة مشغلاً.	2
superfreeze يضيء عندما يكون التجميد الفائق مشغلاً.	3
يستخدم لاختيار أحد الأقسام لتغيير درجة الحرارة أو لتشغيل وظائف إضافية معينة.	4
يظهر درجة الحرارة المضبوطة لقسم التبريد بوحدة °م.	5
ALARM يضيء عندما يكون إنذار الباب مشغلاً.	6
supercool يضيء عندما يكون التبريد الفائق مشغلاً.	7
fresh يضيء عندما يكون نمط الأطعمة الطازجة مشغلاً.	8
يضيء عندما يكون نمط الإجازة مشغلاً.	9
يستخدم mode لاختيار أحد الأوضاع.	10
يضيء عندما يكون نمط توفير الطاقة مشغلاً.	11
+/- يضبط درجة حرارة القسم المختار.	12
يشير بيان الحالة إلى حالة تشغيل الجهاز.	13

6.3 وعاء حفظ الوجبات الخفيفة

قم بتخزين الأطعمة المغلفة أو الوجبات الخفيفة الصغيرة في درج حفظ الوجبات الخفيفة. أخرج درج حفظ الوجبات الخفيفة. ارفع درج حفظ الوجبات الخفيفة واسحبه للخارج. يمكنك تحريك حامل درج حفظ الوجبات الخفيفة.

← الشكل 6

6.4 حاوية التخزين

يسود في وعاء التخزين درجات حرارة أقل من درجة الحرارة في درج التبريد. وقد تصل إلى درجات أقل من 0° م من حين لآخر. للوصول بدرجات الحرارة إلى ما يقارب 0° م في حاوية التخزين، اضبط درجة حرارة صندوق التبريد على 2° م.

←صفحة 139

استخدم درجات الحرارة المنخفضة في حاوية التخزين، لتخزين الأطعمة القابلة للتلف بسهولة مثل السمك واللحم والسجق.

6.5 درج الفاكهة والخضروات مع منظم الرطوبة

قم بتخزين الفاكهة والخضروات الطازجة بدون تغليف في درج الفاكهة والخضروات.

عند حفظ الفاكهة والخضروات المقطعة، قم بتغطيتها أو تغليفها بشكل محكم ضد تسريب الهواء. بواسطة منظم الرطوبة وعنصر إحكام خاص يمكنك موازنة درجة رطوبة الهواء في درج الفاكهة والخضروات. وبذلك يمكنك حفظ الفاكهة

والخضروات الطازجة لمدة أطول بمقدار الضعف من مدة الحفظ التقليدية.

← الشكل 7

اضبط درجة رطوبة الهواء في درج الفاكهة والخضروات وفقاً لنوع وكمية الأطعمة المطلوب تخزينها من خلال الضغط على منظم الرطوبة، كما يلي:

- درجة رطوبة هواء منخفضة 0 عندما تكون غالبية الأطعمة المخزنة من الفاكهة أو التعبئة المختلطة أو التخميل المرتفع.

- درجة رطوبة هواء عالية 00 عندما تكون غالبية الأطعمة المخزنة من الخضروات وكذلك في حالة التعبئة المختلطة أو التخميل القليل.

وفقاً للكمية المخزنة ونوع المواد المخزنة يمكن أن يتكون ماء متكثف في درج الفاكهة والخضروات. قم بإزالة الماء المتكثف بواسطة منديل جاف واضبط درجة رطوبة هواء منخفضة عن طريق منظم درجة الرطوبة.

لكي يتسنى الحفاظ على الجودة والنكهة، قم بتخزين الفاكهة

والخضروات الحساسة للبرودة خارج الجهاز في درجات حرارة من حوالي 8° م حتى 12° م، مثل الأناناس، الموز، الموالح، الخيار، الكوسة، الفلفل الحلو، الطماطم والبطاطس.

رف البيض

قم بتخزين البيض بشكل آمن على رف البيض.

حامل الزجاجات

يعمل حامل الزجاجات على منع انقلاب الزجاجات عند فتح وغلق باب الجهاز.

← الشكل 11

رف الزجاجات المتغير

قم بوضع الزجاجات بشكل آمن على رف الزجاجات المتغير.

← الشكل 12

طبق مكعبات الثلج

استخدم طبق مكعبات الثلج، لعمل مكعبات الثلج.

عمل مكعبات الثلج

لا تستخدم سوى ماء الشرب لصنع مكعبات الثلج.

1. املاً طبق مكعبات الثلج حتى ثلاثة أرباعه بماء صالح للشرب ثم ضعه في حيز التجميد.

قم بفك طبق مكعبات الثلج المجمد بأداة غير حادة، مثل مقبض ملعقة خشبية.

2. لفك مكعبات الثلج، ضع طبق

مكعبات الثلج تحت الماء لمدة قصيرة، أو قم ببله قليلاً.

7 الاستعمال الأساسي

7.1 تشغيل الجهاز

1. قم بتوصيل الجهاز كهربائياً.
←صفحة 135

ملاحظة: إذا تم إيقاف الجهاز بشكل مسبق عن طريق نطاق الاستعمال، اضغط على + لمدة 10 ثوان. ✓ يبدأ الجهاز في التبريد.

6.6 رف الباب

لتغيير موضع رف الباب حسب الحاجة، أخرج رف الباب وأعد تركيبه في موضع آخر.

← "إخراج رف الباب"، صفحة 146

6.7 جهاز إعداد مكعبات الثلج

استخدم جهاز إعداد مكعبات الثلج، لعمل مكعبات الثلج من ماء الشرب.

عمل مكعبات الثلج

لا تستخدم سوى ماء الشرب لصنع مكعبات الثلج.

1. أخرج طبق مكعبات الثلج^① واملاًه بماء الشرب حتى $\frac{3}{4}$ حجمه^② ثم أعد تركيبه^③.

← الشكل 8

ملاحظة: الملاء بكمية زائدة من ماء الشرب قد يضر بوظيفة جهاز إعداد مكعبات الثلج. ولن تنفك مكعبات الثلج بشكل فردي من طبق مكعبات الثلج. ويتدفق ماء الشرب المملوء بشكل زائد عن الحد إلى إناء مكعبات الثلج وتتجمد مكعبات الثلج الموجودة معاً.

2. بعد تجمد مكعبات الثلج، أدر المقبض الدوار لطبق مكعبات الثلج عدة مرات ثم اتركه.

← الشكل 9

✓ تنحل مكعبات الثلج وتسقط في إناء مكعبات الثلج.

3. اسحب إناء مكعبات الثلج وأخرج المكعبات.

← الشكل 10

6.8 الملحقات

استخدم الملحقات الأصلية. فهي مصممة لتناسب مع جهازك. تتوقف ملحقات جهازك على الطراز.

2. كرر الضغط على +/− إلى أن يشير بيان درجة الحرارة (درج التبريد) إلى وضع ضبط درجة الحرارة المرغوب. للوصول إلى درجة الحرارة المضبوطة، حرّك منظم درجة حرارة درج التخزين إلى الوضع 1/3 من أسفل. ←صفحة 139
- درجة الحرارة الموصى بها في قسم التبريد تبلغ 4 °م.

ضبط درجة الحرارة وعاء التخزين

1. لتقليل درجة الحرارة، حرّك منظم درجة الحرارة في الاتجاه extra cold.
2. لرفع درجة الحرارة، حرّك منظم درجة الحرارة في الاتجاه cold.
- ← الشكل 13


ضبط درجة حرارة المجمد

1. اختر قسم التجميد باستخدام freezer fridge.
2. كرر الضغط على +/− إلى أن يشير بيان درجة الحرارة (درج التجميد) إلى وضع ضبط درجة الحرارة المرغوب. درجة الحرارة الموصى بها في المجمد تبلغ −18 °م.

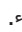
7.5 قفل الأزرار (وظيفة أمان الأطفال)

يحول قفل الأزرار دون استعمال الجهاز بصورة غير مرغوبة أو غير مناسبة.

تشغيل قفل الأزرار

- ◀ اضغط على lock لمدة 3 ثوان.
✓ 3s  يضيء.

إيقاف قفل الأزرار

- ◀ اضغط على lock لمدة 3 ثوان.
✓ 3s  يضيء.

- ✓ تصدر إشارة تحذير صوتية ويومض بيان درجة الحرارة (حيز التجميد) ويضيء ALARM ويضيء بيان الحالة باللون الأحمر، نظرًا لأن حيز التجميد مازال دافئًا للغاية.

2. أوقف إشارة التحذير الصوتية بواسطة freezer fridge.

- ✓ ينطفئ ALARM بمجرد الوصول إلى درجة الحرارة المضبوطة.

3. اضبط درجة الحرارة المرغوبة.
←صفحة 139

7.2 إرشادات حول التشغيل

- إذا قمت بتشغيل الجهاز، لا يتم الوصول إلى درجة الحرارة المضبوطة إلا بعد عدة ساعات. لا تضع أية أطعمة قبل الوصول إلى درجة الحرارة المضبوطة.
- عندما تغلق الباب، يمكن أن يتولد ضغط منخفض. ولا تستطيع فتح الباب مرة أخرى إلا بصعوبة. انتظر لحظة، حتى يتم معادلة الضغط المنخفض.
- تختلف درجة الحرارة في الجهاز حسب الشروط التالية:
 - تكرار عمليات فتح الجهاز
 - مقدار الحمولة
 - درجة حرارة الأطعمة المخزنة حديثًا
 - درجة الحرارة المحيطة
 - أشعة الشمس المباشرة

7.3 إيقاف الجهاز

- ◀ استمر في الضغط على + لمدة 10 ثوان.

7.4 ضبط درجة الحرارة

ضبط درجة حرارة قسم التبريد

1. اختر درج التبريد باستخدام freezer fridge.

قم بتشغيل التجميد الفائق

◀ كرر الضغط على super، إلى أن يضيء
superfreeze.

ملاحظة: بعد حوالي 54 ساعة يتحول الجهاز إلى وضع التشغيل العادي.

قم بإيقاف التجميد الفائق

◀ كرر الضغط على super إلى أن ينطفئ superfreeze.

8.3 وضع العطللة

في حالة الغياب عن المنزل لمدة طويلة، يمكنك تشغيل الجهاز على وضع العطللة الموفر للطاقة.

⚠️ احترس

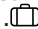
خطر حدوث أضرار صحية!

عندما يكون وضع العطللة مشغلاً، ترتفع درجة حرارة حيز التبريد. وبسبب ارتفاع درجة الحرارة، يمكن أن تتكاثر البكتيريا وتفسد الأطعمة.
◀ لا تقم بتخزين أية أطعمة في صندوق التبريد عندما يكون وضع العطللة مشغلاً.

يقوم الجهاز بتحويل درجات الحرارة أوتوماتيكياً.

قسم التبريد	14 °م
قسم التجميد	لم تتغير درجة الحرارة

تشغيل وضع العطللة

◀ كرر الضغط على mode، إلى أن يبرز .

إيقاف تشغيل وضع العطللة

◀ كرر الضغط على mode، إلى أن يختفي الوضع.

8 الوظائف الإضافية

تعرف على الوظائف الإضافية القابلة للضبط التي يحتوي عليها جهازك.

8.1 التبريد الفائق

مع التبريد الفائق يعمل قسم التبريد بأقصى أداء تبريد ممكن. قم بتشغيل التبريد الفائق قبل تخزين كميات الأطعمة الكبيرة.

ملاحظة: عندما يكون التبريد الفائق مشغلاً، قد تتراد أصوات الضجيج.

تشغيل التبريد الفائق

◀ كرر الضغط على super، إلى أن يضيء
supercool.

ملاحظة: بعد حوالي 6 ساعة يتحول الجهاز إلى وضع التشغيل العادي.

إيقاف التبريد الفائق

◀ اضغط على super.
✓ يتم الإشارة إلى درجة الحرارة التي سبق ضبطها.

8.2 التجميد الفائق

مع التجميد الفائق يقوم صندوق التجميد بالتبريد بأقصى أداء تبريد ممكن. قم بتشغيل التجميد الفائق قبل 4 حتى 6 ساعات من القيام بتخزين كمية أطعمة بدءاً من 2 كجم في المجمد. للاستفادة من قدرة التجميد، استخدم التجميد الفائق.
← "متطلبات قدرة التجميد"،

صفحة 143

ملاحظة: عندما يكون التجميد الفائق مشغلاً، قد تتراد أصوات الضجيج.


8.4 وضع توفير الطاقة

باستخدام وضع توفير الطاقة يمكنك تحويل الجهاز إلى التشغيل الموفر للطاقة.

يقوم الجهاز بتحويل درجات الحرارة أوتوماتيكياً.

قسم التبريد	8 °م
المجمّد	-16 °م

تشغيل وضع توفير الطاقة

◀ كرر الضغط على mode، إلى أن يبرز 

إيقاف وضع توفير الطاقة

◀ كرر الضغط على mode، إلى أن يختفي الوضع.

8.5 وضع الأطعمة الطازجة

لحفاظ على الأطعمة طازجة لمدة أطول، يمكنك تشغيل وضع الأطعمة الطازجة بالجهاز.

يقوم الجهاز بتحويل درجات الحرارة أوتوماتيكياً.

قسم التبريد	2 °م
المجمّد	لم تتغير درجة الحرارة

تشغيل وضع الأطعمة الطازجة

◀ كرر الضغط على mode، إلى أن يبرز fresh.

إيقاف وضع الأطعمة الطازجة

◀ كرر الضغط على mode، إلى أن يختفي الوضع.

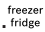
9 الإنذار

9.1 إنذار الباب

عند فتح باب الجهاز لمدة أطول ينطلق إنذار الباب.

تصدر إشارة تحذير صوتية ويضيء بيان درجة الحرارة ويظهر ALARM في الدرج المعني.

إطفاء إنذار الباب

◀ أغلق باب الجهاز أو اضغط على 
 ✓ يتم إيقاف إشارة التحذير الصوتية.

9.2 إنذار درجة الحرارة

عندما تصبح درجة حرارة صندوق التجميد ساخنة جداً، ينطلق إنذار درجة الحرارة.

تصدر إشارة تحذير صوتية ويومض بيان درجة الحرارة (حيز التجميد) ويظهر ALARM ويضيء بيان الحالة باللون الأحمر.

⚠ احترس

خطر حدوث أضرار صحية!

عند إذابة التجمد قد تتكاثر البكتيريا، ومن ثم تفسد المواد المجمدة.

- ◀ لا تقم بإعادة تجميد المواد المذابة.
- ◀ ولا تقم بتجميدها مجدداً إلا بعد طهوها أو قليها،
- ◀ وحينها لا تعتمد على مدة التخزين القصوى كاملةً.

قد ينطلق إنذار درجة الحرارة في الحالات التالية:

- عند بدء تشغيل الجهاز، لا تقم بتخزين المواد الغذائية، إلا بعد الوصول إلى درجة الحرارة المضبوطة.
- عند وضع كمية كبيرة من الأطعمة الطازجة.

- لا تضع الأطعمة أمام فتحة التهوية الداخلية أو بجوار الجدار الخلفي مباشرة حتى لا يضعف تدوير الهواء أو تتجمد الأطعمة.
- ينبغي ترك الأطعمة والمشروبات الساخنة لتبرد أولاً.
- يجب مراعاة تاريخ انتهاء الصلاحية أو تاريخ الاستهلاك المحدد من قبل الجهة الصانعة.

10.2 النطاقات الباردة في قسم التبريد

من خلال تدوير الهواء في قسم التبريد تنشأ نطاقات باردة مختلفة.

أكثر منطقة برودة

النطاق الأكثر برودة هو ذلك الموجود بين السهم المرسوم على الجانب وبين الرف الموجود تحته.

نصيحة: قم بتخزين الأطعمة القابلة للتلف بسهولة، مثل السمك والسجق واللحم، في النطاق الأكثر برودة.

أكثر النطاقات سخونة

أكثر النطاقات سخونة هو الواقع عند الباب بالأعلى تمامًا.

نصيحة: قم بتخزين الأطعمة غير الحساسة، مثلًا الجبن الصلب والزبدة، في النطاقات الأكثر سخونة. بذلك يمكن للجبن أن يحافظ على رائحته الفواحة، بينما تبقى الزبدة سهلة الفرد.

11 صندوق التجميد

في صندوق التجميد يمكنك تخزين الأغذية المجمدة، وتجميد الطعام وعمل مكعبات الثلج. يمكن ضبط درجة الحرارة على قيمة من -16° م حتى -24° م.

- قم بتشغيل التجميد الفائق قبل تخزين كميات كبيرة من الطعام.
- ترك باب صندوق التجميد مفتوحًا لمدة طويلة.
- افحص ما إذا كان يتم إذابة المواد الغذائية المجمدة.

إطفاء إنذار درجة الحرارة

- ◀ اضغط على freezer fridge
- ✓ يتم إيقاف إشارة التحذير الصوتية.
- ✓ يشير بيان درجة الحرارة (صندوق التجميد) لفترة قصيرة إلى أعلى درجة حرارة كانت سائدة في المجمّد. وبعد ذلك يشير بيان درجة الحرارة (صندوق التجميد) مرة أخرى إلى درجة الحرارة المضبوطة.
- ✓ بدءًا من هذه اللحظة سيتم مجددًا احتساب أعلى درجة حرارة وتخزينها.

10 قسم التبريد

يمكنك حفظ اللحم والسجق (النقانق) والسمك ومنتجات الألبان والبيض والأطعمة الجاهزة والمخبوزات في قسم التبريد. يمكن ضبط درجة الحرارة على قيمة من 2° م حتى 8° م. يمكنك بواسطة التخزين البارد تخزين الطعام القابل للتلف بسهولة لفترة قصيرة وحتى متوسطة. كلما كانت درجة الحرارة المختارة أكثر انخفاضًا، طالت المدة التي تظل فيها الأطعمة طازجة.

10.1 نصائح لتخزين الأطعمة في قسم التبريد

- احفظ الأطعمة الطازجة والسليمة فقط.
- احرص على تغليف الأطعمة بشكل محكم ضد تسريب الهواء أو تغطيتها أثناء حفظها.

11.3 نصائح لتخزين الأطعمة في صندوق التجميد

- احرص على تغليف الأطعمة بشكل محكم ضد تسريب الهواء أثناء حفظها.
- عدم ملاصقة الأطعمة المراد تجميدها للأطعمة المجمدة.
- قم بتوزيع الأطعمة في المجمد على أكبر مساحة ممكنة.

11.4 نصائح حول تجميد الأطعمة الطازجة

- احرص على تجميد الأطعمة الطازجة والسليمة فقط.
- قم بتجميد الأطعمة شيئاً فشيئاً.
- الأطعمة الجاهزة تكون أنسب من الأطعمة التي يمكن تناولها نيئة.
- قم بغسل الخضروات وتقطيعها وسلقها قبل التجميد.
- قبل التجميد، قم بغسل الفاكهة ونزع بذورها وتقسيمها حسب اللزوم وإضافة السكر أو مادة حمض الأسكوربيك.
- من الأطعمة المناسبة للتجميد المخبوزات واللحوم والمأكولات البحرية واللحوم البرية والطيور والبيض بدون قشرة والجبن والزبدة واللبن المخثر والوجبات الجاهزة وبقايا الأطعمة.
- من الأطعمة غير المناسبة للتجميد الخس والفجل والبيض بقشرته والعنب والتفاح النيئ والكمثرى والزبادي والكريمة الحامضة والقشدة الطرية والمايونيز.

تغليف المواد المجمدة

خامة التغليف المناسبة وطريقة التغليف الصحيحة من شأنهما الحفاظ على جودة المنتج وتجنب حروق التجميد.

1. قم بوضع الطعام في الغلاف.
2. قم بالضغط عليها لتفريغ الهواء.

عند تخزين الأطعمة لفترة طويلة ينبغي أن يتم ذلك في درجة حرارة -18° م أو أقل.

بفضل خاصية تخزين الأطعمة المجمدة يمكن تخزين الأطعمة التي تفسد بسرعة لفترة طويلة. فدرجات الحرارة المنخفضة تبطئ أو توقف فساد الأطعمة.

11.1 قدرة التجميد

تحدد قدرة التجميد كمية الطعام التي يمكن تجميدها حتى باطنها وعدد الساعات اللازمة لذلك. ستجد البيانات الخاصة بأقصى قدرة تجميد على لوحة الصنع. ← الشكل 1/3

3

متطلبات قدرة التجميد

1. قبل وضع الأطعمة الطازجة بحوالي 24 ساعة، قم بتشغيل التجميد الفائق.
- ← "قم بتشغيل التجميد الفائق"،
صفحة 140
2. في البداية املأ النطاق الأمامي لرف حيز التجميد بالأطعمة.
3. إذا كان النطاق الأمامي لرف حيز التجميد غير كافٍ، فقم بتخزين الكمية المتبقية في النطاق الأمامي لأرضية حيز التجميد.

11.2 استغلال سعة صندوق التجميد بالكامل

تعرف على كيفية وضع الكمية القصوى من الطعام المراد تجميده في درج التجميد.

1. أخرج جميع أجزاء التجهيزات في درج التجميد. ←صفحة 146
2. قم بتخزين الطعام على أرضية المجمد مباشرة.

12 دورة الماء

يشتمل جهازك على أجزاء موصلة للماء.

12.1 مخرج الماء

استخرج الماء البارد عبر مخرج الماء.

ملء وعاء الماء

⚠️ احترس

خطر حدوث أضرار صحية!

لا يمكن ضمان جودة الماء الناتج في حالة ملء سوائل أخرى غير الماء الصالح للشرب.

◀ اقتصر على ملء خزان الماء بماء شرب.

تنبيه!

وقد تتعرض الأنابيب للانسداد في حالة ملء سوائل أخرى غير الماء الصالح للشرب.

◀ اقتصر على ملء خزان الماء بماء شرب.

◀ افتح تجهيزة ملء وعاء الماء ① واملأ الماء النقي حتى خط العلامة في وعاء الملء ②.

← الشكل 14

إخراج الماء

◀ اضغط الزجاج تجاه زر الإخراج.

- في حالة عدم إخراج الماء لمدة 48 ساعة، قد يؤدي ذلك إلى ظهور طعم الماء الراكد. قم بتنظيف وعاء الماء.

- في حالة عدم إخراج الماء لمدة 5 أيام، قم بتنظيف وعاء الماء واملأه بماء شرب نقي واشطف دورة الماء. ولشطف دورة الماء، أخرج 2 لتر ماء.

← الشكل 15

3. أغلق الغلاف بإحكام ضد الهواء، حتى لا يفقد الطعام نكهته أو يجف.
4. دوّن على الغلاف محتواه وتاريخ تجميده.

11.5 صلاحية الأطعمة

المجمدة في درجة حرارة -18° م

فترة التخزين	المواد الغذائية
حتى 6 شهور	السّمك و النّفانق و الأطعمّة الجاهزة و المخبوزات
حتى 8 شهور	الطيور و اللحوم
حتى 12 شهرًا	الخضروات و الفواكه

يبيّن تقويم التجميد المطبوع أقصى مدة تخزين بالشهور في ظل درجة حرارة ثابتة تبلغ -18° م.

11.6 طرق إذابة التجمد عن الأطعمة المجمدة

⚠️ احترس

خطر حدوث أضرار صحية!

عند إذابة التجمد قد تتكاثر البكتيريا، ومن ثم تفسد المواد المجمدة.

- ◀ لا تقم بإعادة تجميد المواد المذابة.
- ◀ ولا تقم بتجميدها مجددًا إلا بعد طهوها أو قليها،
- ◀ وحينها لا تعتمد على مدة التخزين القصوى كاملة.
- قم بإذابة تجمد أغذية الحيوانات مثل السمك واللحوم والجبن واللبن المخثر في حيز التبريد.
- قم بإذابة تجمد الخبز في درجة حرارة الغرفة.
- قم بتحضير الأطعمة في الميكروويف أو في الفرن أو على الموقد لتناولها على الفور.

14.2 تنظيف الجهاز



خطر الصعق الكهربائي!

الرطوبة المتوَعَّلة في الجهاز قد تسبب صدمة كهربائية.

◀ لا تستخدم أجهزة تنظيف بالضغط العالي أو أجهزة تنظيف بالبخار، كي تنظف الجهاز.

وصول سوائل إلى الإضاءة أو عناصر الاستعمال أو إلى فتحات التهوية الداخلية قد يكون خطيرًا.

◀ يحظر وصول ماء الشطف إلى الإضاءة أو عناصر الاستعمال أو فتحات التهوية الداخلية.

تنبيه!

المنظفات غير المناسبة يمكن أن تضر بسطح الجهاز.

◀ لا تستخدم وسائد حاكة أو قطع إسفنجية خشنة.

◀ لا تستخدم منظفات خادشة أو مواد تنظيف حادة.

◀ لا تستخدم أية منظفات قوية تحتوي على الكحول.

عندما تقوم بتنظيف أجزاء التجهيزات والملحقات في غسالة الأواني، فإنها يمكن أن تتشوه أو يتغير لونها.

◀ لا تقم أبدًا بتنظيف أجزاء التجهيزات والملحقات في غسالة الأواني.

1. قم بتحضير الجهاز للتنظيف.
←صفحة 145

2. قم بتنظيف الجهاز وأجزاء التجهيزات وأجزاء الكماليات وعناصر إحكام الباب باستخدام فوطة أواني وماء فاتر وقدر من مادة تنظيف متعادلة الأس الهيدروجيني.

3. قم بالتجفيف جيدًا بعد ذلك باستخدام فوطة ناعمة وجافة.

4. أدخل أجزاء التجهيزات و قم بتركيب أجزاء الجهاز.

13 إذابة التجمد

13.1 إذابة التجمد في قسم التبريد

صندوق التبريد في جهازك يقوم بإذابة التجمد أو توماتيكيا.

13.2 إذابة التجمد في صندوق التجميد

بفضل نظام NoFrost الأوتوماتيكي بالكامل يبقى المجمد خاليًا من الثلج. وبالتالي ليس هناك حاجة لإذابة التجمد.

14 التنظيف والعناية

نظف جهازك واعتني به بدقة، كي يظل قادرًا على أداء وظيفته لمدة طويلة. يجب أن يتم تنظيف المواضع، التي يصعب الوصول إليها، عن طريق خدمة العملاء. يمكن أن يكلف التنظيف عبر خدمة العملاء نفقات مالية.

14.1 تحضير الجهاز للتنظيف

1. قم بإيقاف الجهاز. ←صفحة 139
2. افصل الجهاز عن الشبكة الكهربائية.
3. اسحب القابس الكهربائي لكابل التيار أو افصل المصهر الموجود في صندوق المصاهر.
4. أخرج جميع الأطعمة وقم بتخزينها في مكان بارد.
5. ضع مراكم البرودة، إن وُجدت، على الأطعمة.
6. أخرج جميع أجزاء التجهيزات وأجزاء الكماليات من الجهاز. ←صفحة 146
7. قم بفك الرف الموجود فوق درج الفاكهة والخضروات. ←صفحة 146

إخراج جهاز إعداد مكعبات الثلج

1. أخرج طبق مكعبات الثلج ① ووعاء مكعبات الثلج ② وقم بتفريغهما.

← الشكل 21

2. اضغط الزر الانضغاطي ①، لفك جهاز إعداد مكعبات الثلج من الحامل واخلع جهاز إعداد مكعبات الثلج ②.

← الشكل 22

3. ارفع الطرف الخلفي للحامل وأنزل رف حيز التبريد من الخلف ①. اخلع الحامل بسحبه للأمام ②.

← الشكل 23

إخراج حاوية الماء

1. ارفع وعاء الماء وأخرجه.
 2. اخلع غطاء وعاء الماء وقم بتفريغ وعاء الماء.
 3. **تنبيه!** الأجسام الحادة قد تلحق الضرر بإطار الإحكام.
- ← لا تستخدم أبدًا أجسامًا حادة لخلع إطار الإحكام.
اخلع إطار الإحكام من الغطاء.

← الشكل 24

14.4 فك أجزاء الجهاز

إذا أردت تنظيف جهازك بعناية، يمكنك فك أجزاء معينة من الجهاز.

الرف الموجود فوق درج الفاكهة والخضروات

يمكنك فك الغطاء ودرج الفاكهة والخضروات لتنظيفهما جيدًا.

فك الرف الموجود فوق درج الفاكهة والخضروات

1. اخلع درج الفاكهة والخضروات.

← صفحة 146

2. أخرج وعاء التخزين. ← صفحة 146

5. قم بتوصيل الجهاز كهربائيًا.
← صفحة 135

6. قم بوضع الأطعمة.

14.3 إخراج أجزاء التجهيزات

عندما تريد تنظيف أجزاء التجهيزات جيدًا، اخلعها من جهازك.

إخراج الرف

- ← اسحب الرف للخارج وارفعه واخلعه.

← الشكل 16

إخراج وعاء حفظ الوجبات الخفيفة مع الحامل

1. أخرج وعاء حفظ الوجبات الخفيفة.
2. أخرج الرف مع الحامل.
3. اسحب الحامل من الرف من الجانبين.

← الشكل 17

إخراج رف الباب

- ← ارفع رف الباب واخلعه.

← الشكل 18

أخرج حاوية التخزين

1. اسحب وعاء التخزين للخارج حتى النهاية.
2. ارفع وعاء التخزين للأمام ① وأخرجه ②.

← الشكل 19

إخراج درج الفاكهة والخضروات

1. اسحب درج الفاكهة والخضروات للخارج حتى النهاية.
2. ارفع درج الفاكهة والخضروات من الأمام ① ثم اخلعه ②.

← الشكل 20

3. ارفع أغطية درج الفاكهة والخضروات ① ثم اخلعه ②.

← الشكل 25

4. اقلب الرف الموجود فوق درج الفاكهة والخضروات جانبا ① ثم اخلعه ②.

← الشكل 26

تركيب الرف الموجود فوق درج الفاكهة والخضروات

1. قم بتركيب الرف الموجود فوق درج الفاكهة والخضروات مائلا من الجانب ① ثم قم بإنزاله ②.

← الشكل 27

2. انقل منظم الرطوبة إلى الوضع الأمامي.

← الشكل 28

3. قم بتعليق أغطية درج الفاكهة والخضروات.

← الشكل 29

يُراعى أثناء ذلك أن تستقر أغطية درج الفاكهة والخضروات في الفتحات أسفل منظم الرطوبة.

4. قم بتركيب وعاء التخزين ودرج الفاكهة والخضروات.

← الشكل 30

15 التغلب على الاختلالات

يمكنك أن تقوم بنفسك بإصلاح الأعطال البسيطة بجهازك. اقرأ معلومات التغلب على الأعطال قبل الاتصال بخدمة ما بعد البيع. حيث يجنبك ذلك أية تكاليف غير ضرورية.

⚠ تحذير

خطر الصعق الكهربائي!

تنطوي أعمال الإصلاح غير السليمة فنيًا على أخطار.

- ◀ وحدهم أفراد الطاقم الفني المدربون من أجل ذلك يُسمح لهم بإجراء إصلاحات على الجهاز.
- ◀ لا يُسمح إلا باستخدام قطع الغيار الأصلية لإصلاح الجهاز.
- ◀ إذا كان كابل الكهرباء لهذا الجهاز متضررًا، يجب تغييره من قبل الجهة الصانعة أو مركز خدمة العملاء التابع لها أو من قبل فني مؤهل بشكل مماثل، وذلك لتجنب المخاطر.

العطل	السبب والتغلب على الأعطال
الجهاز لا يبُرد، بينما الشاشة وتجهيزه الإضاءة مضيئتان.	نمط العرض مشغّل. 1. احتفظ بالزر <small>freezer</small> <small>fridge</small> مضغوطًا لمدة 15 ثانية. 2. تحقق بعد فترة وجيزة من برودة الجهاز.
إضاءة LED لا تعمل.	أسباب مختلفة ممكنة. ◀ اتصل بخدمة العملاء. تجد رقم خدمة العملاء في دليل مراكز خدمة العملاء المرفق.
الجران الجانبية للجهاز ساخنة.	لا يوجد خطأ. تمر أنابيب عبر الجدران الجانبية، وهي تسخن أثناء عملية التبريد. الأثاث الذي يلامس الجهاز لا يتضرر بسبب الحرارة. لا داع لاتخاذ تصرف.

العطل	السبب والتغلب على الأعطال
يظهر E أو d في بيان درجة الحرارة.	اكتشفت الوحدة الإلكترونية وجود خطأ. 1. قم بإيقاف الجهاز. ← صفحة 139 2. افصل الجهاز عن الشبكة الكهربائية. اسحب القابس الكهربائي لكابل توصيل التيار من المقبس أو افصل المصهر الموجود في صندوق المصاهر. 3. قم بتوصيل الجهاز مرة أخرى بعد 5 دقائق. 4. قم بتشغيل الجهاز. ← صفحة 138 5. إذا استمر ظهور البلاغ في وحدة العرض، اتصل بخدمة العملاء. تجد رقم خدمة العملاء في دليل مراكز خدمة العملاء المرفق.
تصدر إشارة تحذير صوتية ويومض بيان درجة الحرارة (حيز التجميد) ويظهر ALARM ويضيء بيان الحالة باللون الأحمر.	أسباب مختلفة ممكنة. ← اضغط على ^{freezer} fridge ✓ يشير بيان درجة الحرارة (صندوق التجميد) لفترة قصيرة إلى أعلى درجة حرارة كانت سائدة في المجمد. وبعد ذلك يشير بيان درجة الحرارة (صندوق التجميد) مرة أخرى إلى درجة الحرارة المضبوطة. ✓ يتم إيقاف الإنذار. ✓ يضيء ALARM حتى الوصول إلى درجة الحرارة المضبوطة.
	باب الجهاز مفتوح. ← أغلق باب الجهاز.
	تم وضع كمية كبيرة من الأطعمة الطازجة. ← لا تتجاوز أقصى قدرة تجميد. ← "قدرة التجميد"، صفحة 143

العطل	السبب والتغلب على الأعطال
لم يتم الوصول إلى درجة الحرارة المضبوطة. خاصية إذابة التجمد الأوتوماتيكية بالكامل لا تعمل.	تم ترك باب صندوق التجميد مفتوحاً لفترة طويلة. جهاز التبخير (مولد البرودة) في نظام NoFrost متجمد بشدة. الشرط: تم تخزين الطعام المجمد بشكل جيد في مكان بارد.
	1. قم بإيقاف الجهاز. ←صفحة 139
	2. افصل الجهاز عن الشبكة الكهربائية.
	اسحب القابس الكهربائيّ لكابل توصيل التيار من المقبس أو افصل المصهر الموجود في صندوق المصاهر.
	3. أبعد الجهاز عن الحائط.
	4. اترك باب الجهاز مفتوحاً.
	✓ بعد حوالي 20 دقيقة يبدأ الماء المذاب بالسيلان في صينية التبخير على الجهة الخلفية للجهاز.
	← الشكل 31
	5. لمنع زيادة الماء على صينية التبخير في هذه الحالة قم بالتقاط الماء المذاب بواسطة إسفنجة.
	يكون قد تم إذابة التجمد عن جهاز التبخير عند توقف سيلان الماء المذاب في صينية التبخير.
	6. قم بتنظيف الحيز الداخلي للجهاز. ←صفحة 145
	7. أعد تشغيل الجهاز. ←صفحة 138
درجة الحرارة تختلف كثيراً عن وضع الضبط.	أسباب مختلفة ممكنة.
	1. قم بإيقاف الجهاز. ←صفحة 139
	2. أعد تشغيل الجهاز بعد حوالي 5 دقائق. ←صفحة 138
	- عندما تكون درجة الحرارة مرتفعة جداً، تحقق من درجة الحرارة مجدداً بعد بضع ساعات.
	- عندما تكون درجة الحرارة باردة جداً، تحقق من درجة الحرارة مجدداً في اليوم التالي.
يتكون ماء متكثف على سطح الجهاز والأرْف في الجهاز.	يتكثف الماء المحتوي على هواء دافئ ورطب على الأسطح الباردة.
	1. امسح الماء باستخدام قطعة قماش ناعمة وجافة.
	2. افتح الجهاز قليلاً قدر الإمكان.
	3. تأكد أن الجهاز مغلق دائماً بصورة صحيحة.

العطل	السبب والتغلب على الأعطال
الجهاز يصدر صوت أزيز أو بقللة أو زن أو بقبقة أو طقطقة أو طنين.	لا يوجد خطأ. محرك يعمل، مثلاً جهاز التبريد، المروحة. مادة التبريد تتدفق عبر الأنابيب. يتم تشغيل أو إيقاف المحرك أو المفتاح أو الصمامات المغناطيسية. يتم إذابة التجمد أو توماتيكياً. يقوم نظام منع تكون الصقيع الأوتوماتيكي NoFrost بالإذابة وتتبخر قطرات الماء. لا داع لاتخاذ تصرف.
الجهاز يصدر أصوات ضجيج.	الجهاز في وضعية غير مستوية. ◀ قم بمحاذاة الجهاز باستخدام ميزان ماء والأقدام ذات المسامير الحلزونية.
	الجهاز ليس منفصل. ◀ التزم بالحد الأدنى للمسافات الفاصلة للجهاز.
	أجزاء التجهيزات ترتج أو تنحصر. ◀ افحص أجزاء التجهيزات القابلة لل فك و قم بتركيبها من جديد حسب الحالة.
	الزجاجات أو الأواني تتلامس. ◀ أبعد الزجاجات أو الأواني عن بعضها.
	التجميد الفائق مشغل. لا داع لاتخاذ تصرف.

- ✓ إذا صدر بعد نهاية الاختبار الذاتي للجهاز إشارتان صوتيتان وأشار بيان درجة الحرارة إلى درجة الحرارة المضبوطة، فهذا يعني أن جهازك على ما يرام. ينتقل الجهاز إلى وضع التشغيل العادي.
- ✓ إذا صدر بعد نهاية الاختبار الذاتي للجهاز 5 إشارات صوتية، فأبلغ خدمة العملاء.

16 التخزين والتخلص

16.1 إخراج الجهاز من الخدمة

1. قم بإيقاف الجهاز. ←صفحة 139
2. افصل الجهاز عن الشبكة الكهربائية. اسحب القابس الكهربائي لكابل التيار أو افصل المصهر الموجود في صندوق المصاهر.
3. أخرج جميع الأطعمة.
4. قم بتفريغ وعاء الماء.
5. قم بتنظيف الجهاز. ←صفحة 145
6. **تنبيه!** قد تتعرض مفصلة الباب للضرر من خلال الأغراض المحشورة بين الباب والجسم.
- ◀ افتح الباب حتى يظل مفتوحًا بشكل ذاتي.
- ◀ لا تضع أغراضًا بين الباب والجسم.
- اترك الجهاز مفتوحًا لضمان تهوية الحيز الداخلي.

15.1 انقطاع التيار الكهربائي

- ترتفع درجة الحرارة في الجهاز أثناء انقطاع الكهرباء وبالتالي تقل مدة التخزين وتخفض جودة الأطعمة المجمدة.
- من خلال موقعنا الإلكتروني الخاص بجهازك سوف تتعرف في البيانات الفنية على مدة تخزين المواد المجمدة عند حدوث أعطال.

ملاحظات

- لا تفتح الجهاز إلا بأقل ما يمكن ولا تقم بتخزين أطعمة أخرى.
- تحقق من جودة الأطعمة فور انقطاع الكهرباء.
- تخلص من الأطعمة المجمدة التي ذاب تجمدها وكانت درجة حرارتها أعلى من 5 °م.
- قم بطهي الأطعمة المجمدة المذاب تجمدها قليلاً أو قم بتحميرها وتناولها أو أعد تجميدها.

15.2 تنفيذ اختبار ذاتي للجهاز

- يشتمل جهازك على خاصية الاختبار الذاتي للجهاز لعرض الأعطال التي يمكن لخدمة العملاء معالجتها.
1. قم بإيقاف الجهاز. ←صفحة 139
 2. افصل الجهاز عن الشبكة الكهربائية. اسحب القابس الكهربائي لكابل التيار أو افصل المصهر الموجود في صندوق المصاهر.
 3. أعد توصيل الجهاز بالكهرباء بعد 5 دقائق. ←صفحة 135
 4. قم بتشغيل الجهاز. ←صفحة 138
 5. في غضون دقيقتين من التشغيل، اضغط على ^{freezer} لمدة 3 ثوان، حتى تصدر إشارة صوتية.
- ✓ يبدأ الاختبار الذاتي للجهاز.

16.2 التخلص من الجهاز القديم

يمكن إعادة تدوير المواد الخام الثمينة من خلال التخلص من الجهاز بطريقة تحافظ على البيئة.

⚠ تحذير

خطر حدوث أضرار صحية!

يمكن أن يتعرّض الأطفال للاحتجاز داخل الجهاز وتكون هناك خطورة على حياتهم.

• تجنباً لتسلل الأطفال للداخل لا تقم بسحب الأرفف والحاويات من الجهاز.

• احرص على بقاء الأطفال بعيداً عن الجهاز التالف.

⚠ تحذير

خطر نشوب حريق!

في حالة حدوث ضرر بالمواسير يمكن أن تتسرب مادة تبريد قابلة للاشتعال وغازات ضارة وتشتعل.

• احرص على عدم إلحاق أضرار بأنايب دورة التبريد أو العازل.

1. انزع القابس الكهربائي من كابل الكهرباء.

2. اقطع كابل الكهرباء.

3. تخلّص من الجهاز بطريقة لا تضر بالبيئة.

يمكنك الحصول على المعلومات الخاصة بأحدث سبل التخلص من المخلفات لدى تاجرِكَ المتخصص أو لدى إدارة البلدية أو المدينة التي تتبع لها.

الخاصة بالأجهزة الكهربائية والإلكترونية القديمة (waste electrical and electronic equipment - WEEE).

وهذه المواصفة تحدد الإطار العام لقواعد

تسري في جميع دول

الاتحاد الأوروبي بخصوص استعادة الأجهزة القديمة وإعادة استغلالها.

17 خدمة العملاء

يمكن الحصول على قطع غيار أصلية ذات صلة بالوظيفة وفقاً لتوجيهات التصميم الإيكولوجي ذات الصلة من خدمة العملاء لمدة 10 سنوات على الأقل من تاريخ استلام العميل للسلعة أو تاريخ تفعيل الضمان للسلع التي تحتاج إلى تركيب أو تشغيل¹ سوف تحصل على معلومات مفصلة حول فترة الضمان وشروطه في بلدك لدى خدمة العملاء الخاصة بنا أو لدى التاجر الذي تتعامل معه أو على موقعنا الإلكتروني.

عندما تتواصل مع خدمة العملاء، سوف تكون بحاجة إلى رقم المنتج (E-Nr.) ورقم الصنع (FD-Nr.) الخاصين بجهازك. تجد بيانات الاتصال بخدمة العملاء في فهرس خدمة العملاء المرفق أو على موقعنا الإلكتروني.

17.1 رقم المنتج (E-Nr.) ورقم الصنع (FD)

تجد رقم المنتج (E-Nr.) ورقم الصنع (FD) على لوح الصنع للجهاز.

الشكل 1/3

هذا الجهاز مطابق للمواصفة الأوربية 2012/19/المجموعة الاقتصادية الأوربية



كي تجد بيانات جهازك ورقم هاتف
خدمة العملاء مجددًا بسرعة، يمكنك
تدوين البيانات.

18 البيانات التقنية

تجد المعلومات حول مادة التبريد
والسعة الصافية وغير ذلك من
البيانات الفنية على لوحة الصنع.

← الشكل 1/3



Thank you for buying a Bosch Home Appliance!

Register your new device on MyBosch now and profit directly from:

- **Expert tips & tricks for your appliance**
- **Warranty extension options**
- **Discounts for accessories & spare-parts**
- **Digital manual and all appliance data at hand**
- **Easy access to Bosch Home Appliances Service**

Free and easy registration – also on mobile phones:

www.bosch-home.com/welcome



Looking for help? You'll find it here.

Expert advice for your Bosch home appliances, help with problems or a repair from Bosch experts.

Find out everything about the many ways Bosch can support you:

www.bosch-home.com/service

Contact data of all countries are listed in the attached service directory.

BSH Hausgeräte GmbH

Carl-Wery-Straße 34
81739 München, GERMANY
www.bosch-home.com

A Bosch Company



8001224791 (030911)

en, ru, kk, uz, ar